



Malaguti

IDEE IN MOTO

XTM 50 ENDURO KAT EURO 2 POWER-UP M.Y. 2007



TELAIO - INDICE TAVOLE

FRAME - INDEX OF THE TABLES

| | | | | |
|--------|---------|--------|---------|--------|
| TAV. A | TAV. A1 | TAV. B | TAV. C | TAV. D |
| TAV. E | TAV. F | TAV. G | TAV. H | TAV. I |
| TAV. L | TAV. M | TAV. N | TAV. OO | |

MOTORE - INDICE TAVOLE

ENGINE - INDEX OF THE TABLES

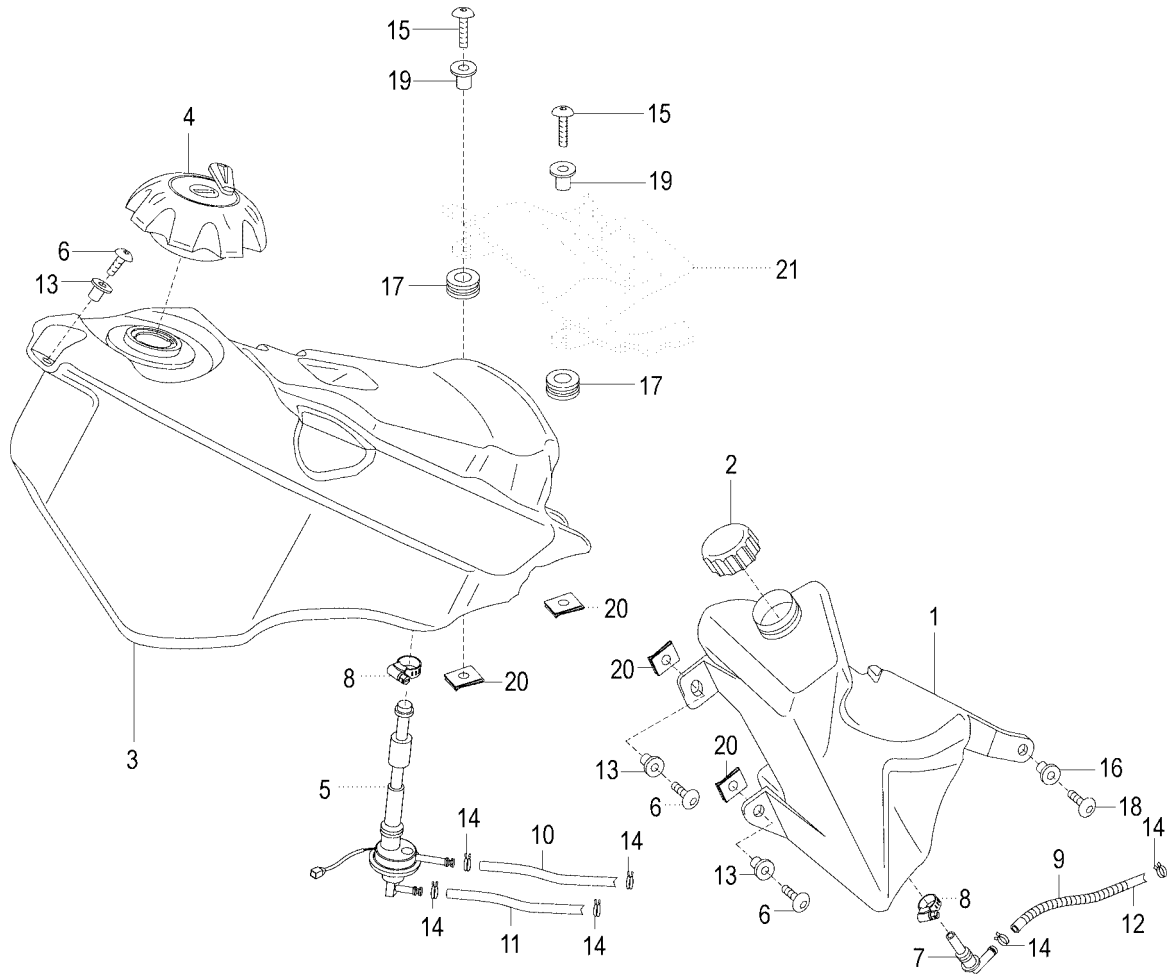
| | | | | |
|--------|---------|--|--|--|
| TAV. R | TAV. R1 | | | |
|--------|---------|--|--|--|

Telaio anteriore & posteriore

Front frame & rear

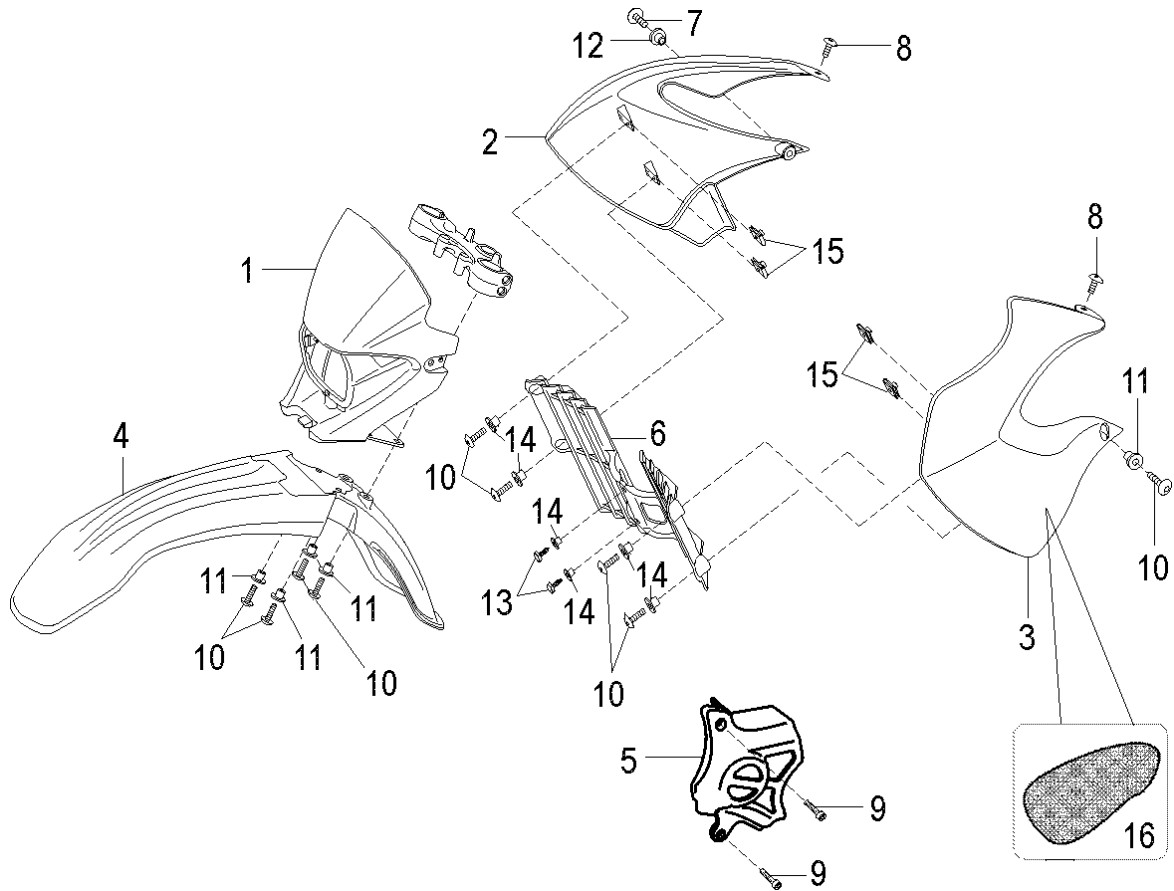
| Nr. | Codice | Q.tà | Descrizione |
|-----|------------|------|------------------------------------|
| 1 | 156.131.99 | 1 | Telaio anteriore |
| 2 | 156.102.98 | 1 | Telaio posteriore |
| 3 | 152.023.00 | 1 | Pedale freno |
| 4 | 150.399.00 | 1 | Kit fissaggio pedale freno |
| 5 | 084.044.00 | 1 | Poggiapiedi dx pilota completo |
| 6 | 084.045.00 | 1 | Poggiapiedi sx pilota completo |
| 7 | 150.316.00 | 2 | Kit fissaggio poggiapiedi pilota |
| 8 | 159.078.99 | 1 | Cavalletto laterale |
| 9 | 150.398.00 | 1 | Kit fissaggio cavalletto laterale |
| 10 | 191.075.00 | 1 | Supporto frecce e mascherina faro |
| 11 | 084.046.00 | 1 | Poggiapiedi dx passegg. completo |
| 12 | 084.047.00 | 1 | Poggiapiedi sx passegg. completo |
| 13 | 150.317.00 | 2 | Kit fissaggio poggiapiedi passegg. |
| 14 | 081.013.00 | 1 | Leva messa in moto |
| 15 | 082.010.00 | 1 | Leva cambio |
| 16 | 184.257.00 | 4 | Vite |
| 17 | 184.266.13 | 4 | Rondella |
| 18 | 185.024.14 | 4 | Dado |
| 19 | 072.181.00 | 1 | Gommino leva messa in moto |
| 20 | 191.088.99 | 1 | Protezione serbatoio benzina |
| 21 | 184.258.00 | 2 | Vite |
| 22 | 184.206.00 | 1 | Prestola M 6 |
| 23 | 184.196.14 | 1 | Prestola M 6 |
| 24 | 191.141.13 | 1 | Piastra fissaggio solenoide |
| 25 | 191.142.13 | 1 | Piastra fissaggio CDI |
| 26 | 072.161.00 | 1 | Gommino fissaggio solenoide |

| Nr. | Code | Q.ty | Description |
|-----|------------|------|---------------------------------|
| 1 | 156.131.99 | 1 | Front frame |
| 2 | 156.102.98 | 1 | Rear frame |
| 3 | 152.023.00 | 1 | Lever brake pedal |
| 4 | 150.399.00 | 1 | Lever brake pedal fixing kit |
| 5 | 084.044.00 | 1 | R/h front bracket footrest assy |
| 6 | 084.045.00 | 1 | L/h front bracket footrest assy |
| 7 | 150.316.00 | 2 | L/h-R/h footrest fixing kit |
| 8 | 159.078.99 | 1 | Side stand |
| 9 | 150.398.00 | 1 | Side stand fixing kit |
| 10 | 191.075.00 | 1 | Headlight and flasher bracket |
| 11 | 084.046.00 | 1 | R/h rear bracket footrest assy |
| 12 | 084.047.00 | 1 | L/h rear bracket footrest assy |
| 13 | 150.317.00 | 2 | L/h-R/h footrest fixing kit |
| 14 | 081.013.00 | 1 | Kick starter lever |
| 15 | 082.010.00 | 1 | Gear lever |
| 16 | 184.257.00 | 4 | Screw |
| 17 | 184.266.13 | 4 | Washer |
| 18 | 185.024.14 | 4 | Nut |
| 19 | 072.181.00 | 1 | Kick starter rubber |
| 20 | 191.088.99 | 1 | Fuel tank protection |
| 21 | 184.258.00 | 2 | Screw |
| 22 | 184.206.00 | 1 | Clamp |
| 23 | 184.196.14 | 1 | Prestola M 6 |
| 24 | 191.141.13 | 1 | Solenoid fixing plate |
| 25 | 191.142.13 | 1 | CDI fixing plate |
| 26 | 072.161.00 | 1 | Solenoid fixing rubber |

Serbatoio benzina & olio
Fuel tank & oil tank


| Nr. | Codice | Q.tà | Descrizione |
|-----|------------|------|---------------------------------|
| 1 | 069.021.00 | 1 | Serbatoio olio |
| 2 | 071.509.00 | 1 | Tappo serbatoio olio |
| 3 | 161.095.00 | 1 | Serbatoio benzina |
| 4 | 090.081.00 | 1 | Tappo serbatoio benzina |
| 5 | 093.080.00 | 1 | Rubinetto benzina depressione |
| 6 | 184.359.00 | 3 | Vite |
| 7 | 094.029.00 | 1 | Raccordo olio con filtro |
| 8 | 167.031.00 | 2 | Fascetta |
| 9 | 147.084.13 | 1 | Molla protezione tubo benzina |
| 10 | 180.010.66 | 1 | Tubo benzina |
| 11 | 180.003.62 | 1 | Tubo depressione |
| 12 | 180.003.63 | 1 | Tubo olio |
| 13 | 150.148.14 | 3 | Boccola |
| 14 | 167.018.13 | 6 | Fascetta stringitubo |
| 15 | 184.255.15 | 2 | Vite |
| 16 | 150.310.13 | 1 | Boccola |
| 17 | 072.161.00 | 2 | Gommino fissaggio serbatoio |
| 18 | 184.357.00 | 1 | Vite |
| 19 | 150.210.13 | 2 | Boccola |
| 20 | 184.201.00 | 4 | Prestola M 6 |
| 21 | 071.544.03 | 1 | Protezione cassetta aspirazione |

| Nr. | Code | Q.ty | Description |
|-----|------------|------|--------------------|
| 1 | 069.021.00 | 1 | Oil tank |
| 2 | 071.509.00 | 1 | Oil tank cap |
| 3 | 161.095.00 | 1 | Fuel tank |
| 4 | 090.081.00 | 1 | Fuel tank cap |
| 5 | 093.080.00 | 1 | Fuel pet cock |
| 6 | 184.359.00 | 3 | Screw |
| 7 | 094.029.00 | 1 | Oil pipe connector |
| 8 | 167.031.00 | 2 | Clamp |
| 9 | 147.084.13 | 1 | Pipe spring |
| 10 | 180.010.66 | 1 | Fuel hose |
| 11 | 180.003.62 | 1 | Depression hose |
| 12 | 180.003.63 | 1 | Oil hose |
| 13 | 150.148.14 | 3 | Collar |
| 14 | 167.018.13 | 6 | Clamp |
| 15 | 184.255.15 | 2 | Screw |
| 16 | 150.310.13 | 1 | Collar |
| 17 | 072.161.00 | 2 | Rubber grommet |
| 18 | 184.357.00 | 1 | Screw |
| 19 | 150.210.13 | 2 | Collar |
| 20 | 184.201.00 | 4 | Clamp |
| 21 | 071.544.03 | 1 | Air box protection |

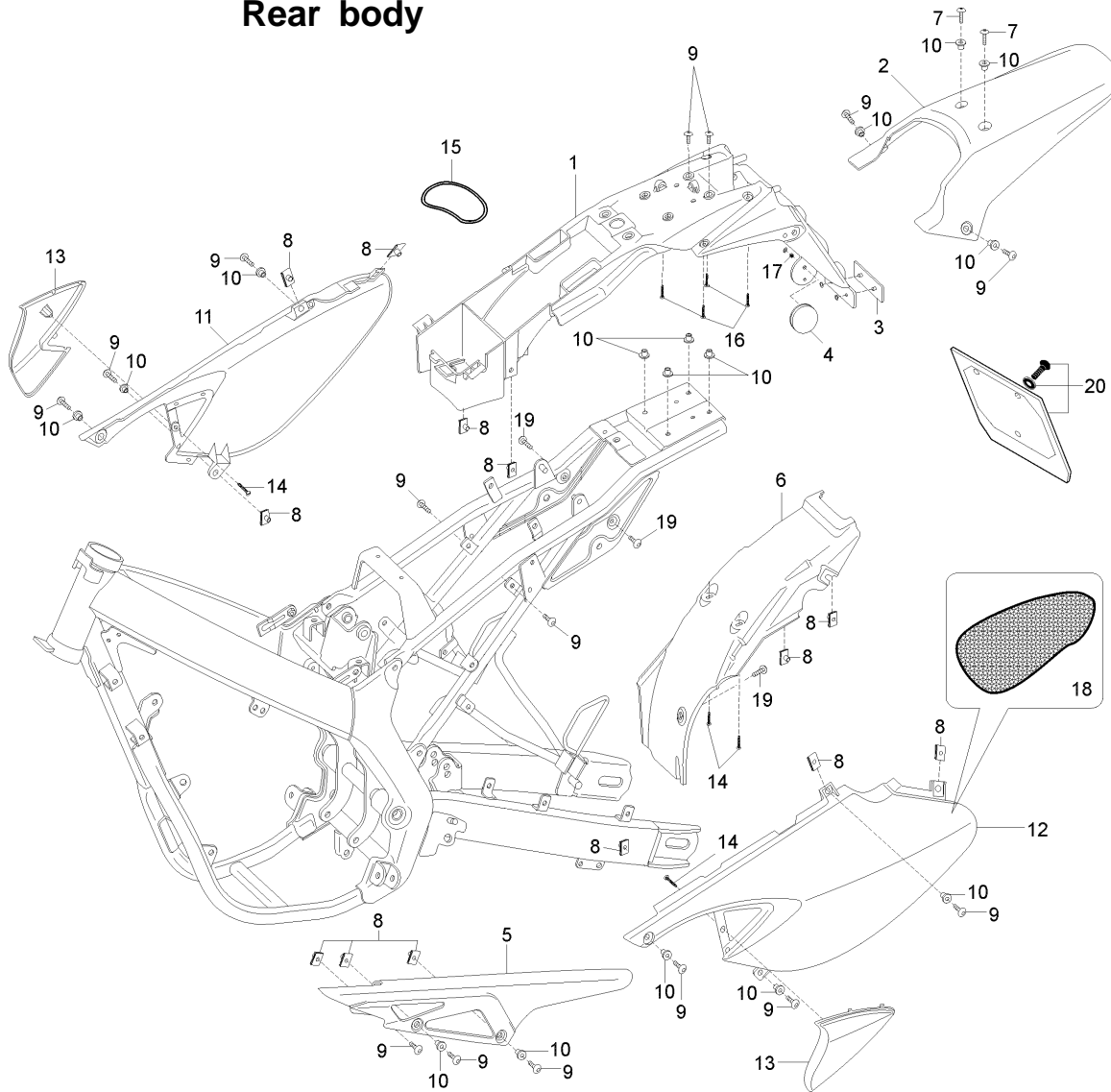
**Carrozzeria anteriore
Front body**


| Nr. | Codice | Q.tà | Descrizione |
|-----|-------------|------|------------------------------|
| 1 | 058.049. -- | 1 | Mascherina portafanale * |
| 2 | 062.072. -- | 1 | Convogliatore radiatore dx * |
| 3 | 062.073. -- | 1 | Convogliatore radiatore sx * |
| 4 | 055.063. -- | 1 | Parafango anteriore * |
| 5 | 061.081.00 | 1 | Carter copripignone |
| 6 | 071.506.03 | 1 | Griglia radiatore |
| 7 | 184.359.00 | 1 | Vite |
| 8 | 184.364.00 | 4 | Vite |
| 9 | 184.260.15 | 2 | Vite |
| 10 | 184.357.00 | 9 | Vite |
| 11 | 150.310.13 | 5 | Boccola |
| 12 | 150.148.14 | 1 | Boccola |
| 13 | 184.171.15 | 2 | Vite |
| 14 | 150.305.13 | 6 | Boccola |
| 15 | 184.201.00 | 4 | Prestola M 6 |
| 16 | 072.187.00 | 1 | Protezione termica |
| -- | 181.369. -- | 1 | Serie marche XTM 50 Enduro * |

| Nr. | Code | Q.ty | Description |
|-----|-------------|------|---------------------------|
| 1 | 058.049. -- | 1 | Headlight housing * |
| 2 | 062.072. -- | 1 | R/h side cover * |
| 3 | 062.073. -- | 1 | L/h side cover * |
| 4 | 055.063. -- | 1 | Front mudguard * |
| 5 | 061.081.00 | 1 | Chain sprocket cover |
| 6 | 071.506.03 | 1 | Water cooler grid |
| 7 | 184.359.00 | 1 | Screw |
| 8 | 184.364.00 | 4 | Screw |
| 9 | 184.260.15 | 2 | Screw |
| 10 | 184.357.00 | 9 | Screw |
| 11 | 150.310.13 | 5 | Collar |
| 12 | 150.148.14 | 1 | Collar |
| 13 | 184.171.15 | 2 | Screw |
| 14 | 150.305.13 | 6 | Collar |
| 15 | 184.201.00 | 4 | Clamp |
| 16 | 072.187.00 | 1 | Thermic protection |
| -- | 181.369. -- | 1 | XTM 50 Enduro label set * |

* Vedi tav. N° OO Colori

* Refer to N° OO Colour table

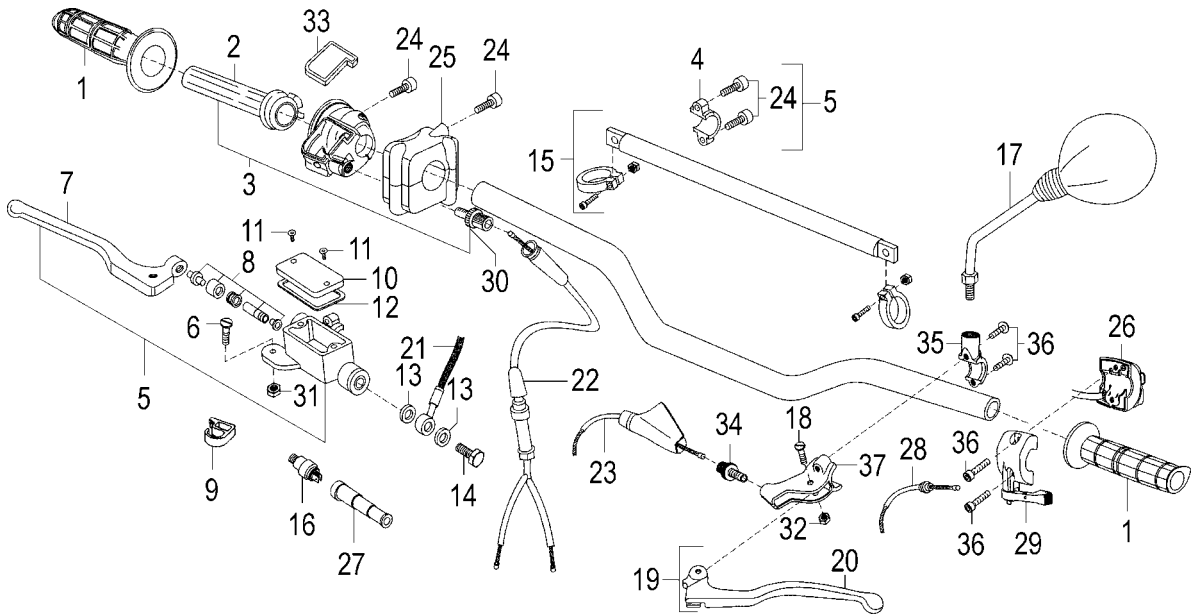
Carrozzeria posteriore
Rear body


| Nr. | Codice | Q.tà | Descrizione |
|-----|-------------|------|-------------------------------------|
| 1 | 057.077.03 | 1 | Codino portatarga + porta batteria |
| 2 | 056.075. -- | 1 | Parafango posteriore * |
| 3 | 071.117.01 | 1 | Catadiottro rosso |
| 4 | 071.225.00 | 2 | Catadiottro ambra |
| 5 | 061.075.00 | 1 | Carter copricatena |
| 6 | 071.543.03 | 1 | Bancalina protezione ammortizzatore |
| 7 | 184.357.00 | 2 | Vite |
| 8 | 184.201.00 | 13 | Prestola M 6 |
| 9 | 184.359.00 | 18 | Vite |
| 10 | 150.148.14 | 16 | Boccola |
| 11 | 060.114. -- | 1 | Portanumero laterale dx * |
| 12 | 060.115. -- | 1 | Portanumero laterale sx * |
| 13 | 071.523.03 | 1 | Cp. appendici portanumeri laterali |
| 14 | 184.390.00 | 6 | Vite |
| 15 | 072.167.00 | 1 | Elastico fissaggio batteria |
| 16 | 184.067.13 | 4 | Vite |
| 17 | 184.099.13 | 2 | Dado |
| 18 | 072.179.00 | 1 | Protezione termica |
| 19 | 184.364.00 | 3 | Vite |
| 20 | 008.010.00 | 1 | Porta targa |
| -- | 181.369. -- | 1 | Serie marche XTM 50 Enduro * |

| Nr. | Code | Q.ty | Description |
|-----|-------------|------|-----------------------------|
| 1 | 057.077.03 | 1 | License plate mudguard tail |
| 2 | 056.075. -- | 1 | Rear mudguard * |
| 3 | 071.117.01 | 1 | Red reflector |
| 4 | 071.225.00 | 2 | Amber reflector |
| 5 | 061.075.00 | 1 | Chain guard |
| 6 | 071.543.03 | 1 | Shock absorber protection |
| 7 | 184.357.00 | 2 | Screw |
| 8 | 184.201.00 | 13 | Clamp |
| 9 | 184.359.00 | 18 | Screw |
| 10 | 150.148.14 | 16 | Collar |
| 11 | 060.114. -- | 1 | R/h number holder * |
| 12 | 060.115. -- | 1 | L/h number holder * |
| 13 | 071.523.03 | 1 | Number plate holder, pair |
| 14 | 184.390.00 | 6 | Screw |
| 15 | 072.167.00 | 1 | Battery fixing belt |
| 16 | 184.067.13 | 4 | Screw |
| 17 | 184.099.13 | 2 | Nut |
| 18 | 072.179.00 | 1 | Thermic protection |
| 19 | 184.364.00 | 3 | Screw |
| 20 | 008.010.00 | 1 | License plate |
| -- | 181.369. -- | 1 | XTM 50 Enduro label set * |

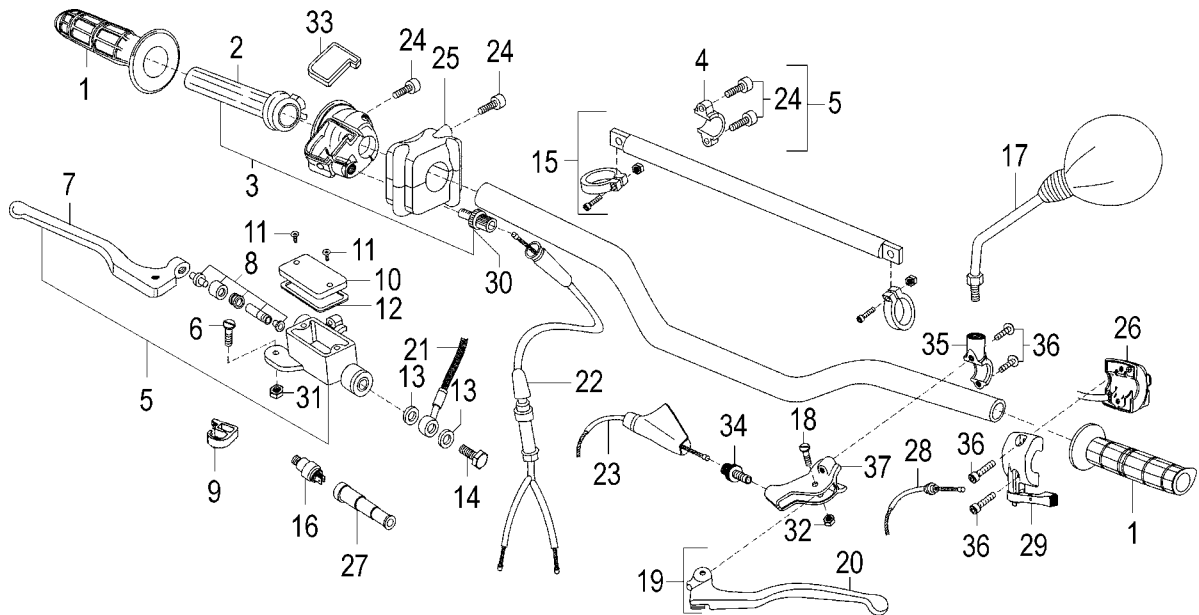
* Vedi tav. N° OO Colori

* Refer to N° OO Colour table

Manubrio & comandi
Handlebar & controls


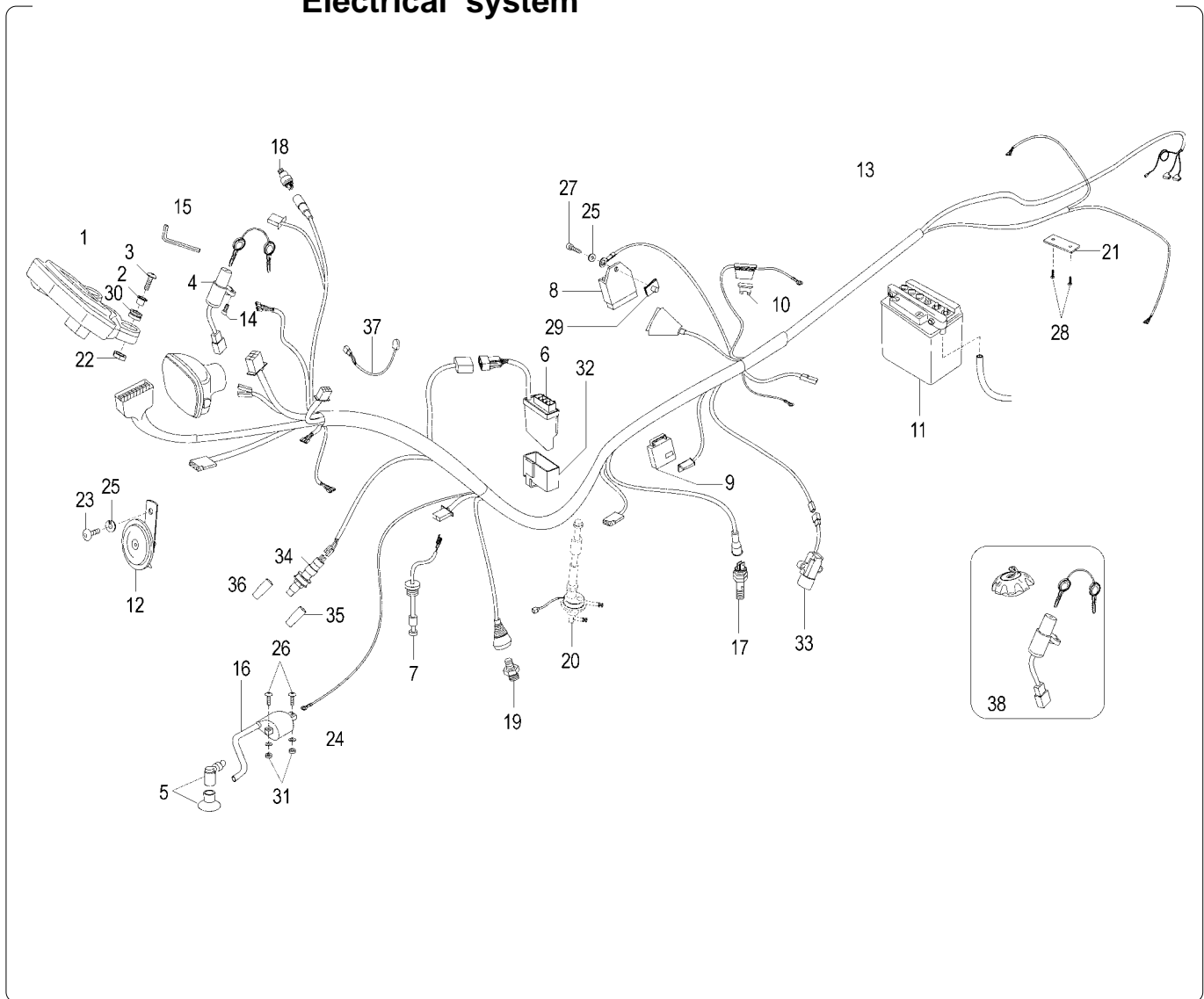
| Nr. | Codice | Q.tà | Descrizione |
|-----|------------|------|-----------------------------------|
| 1 | 097.022.03 | 1 | Kit manopole (dx + sx) |
| 2 | 121.160.00 | 1 | Tubo comando gas |
| 3 | 028.023.00 | 1 | Comando gas senza manopole |
| 4 | 121.188.00 | 1 | Attacco pompa freno dx |
| 5 | 030.043.03 | 1 | Pompa freno completa + attacco |
| 6 | 121.186.00 | 1 | Vite fulcro leva freno dx |
| 7 | 121.185.03 | 1 | Leva freno dx |
| 8 | 121.192.00 | 1 | Pistone completo |
| 9 | 071.532.00 | 1 | Guida trasmissione idraulica |
| 10 | 121.189.00 | 1 | Coperchio pompa freno |
| 11 | 184.179.00 | 2 | Vite coperchio pompa freno |
| 12 | 121.190.00 | 1 | Guarnizione coperchio pompa freno |
| 13 | 190.006.00 | 2 | Rasamento |
| 14 | 150.024.14 | 1 | Vite trasmissione idraulica |
| 15 | 162.047.13 | 1 | Manubrio con traversino |
| 16 | 021.026.00 | 1 | Interruttore stop leva freno dx |
| 17 | 088.042.03 | 1 | Specchio sx |
| 18 | 121.162.00 | 1 | Vite fulcro leva frizione sx |
| 19 | 121.168.00 | 1 | Comando frizione sx completo |
| 20 | 121.169.03 | 1 | Leva frizione sx |
| 21 | 033.053.00 | 1 | Trasmissione idraulica |
| 22 | 034.155.03 | 1 | Trasmissione gas con sdoppiatore |
| 23 | 048.040.03 | 1 | Trasmissione frizione |
| 24 | 121.191.00 | 2 | Vite attacco pompa freno |
| 25 | 020.079.00 | 1 | Commutatore dx MODE |

| Nr. | Code | Q.ty | Description |
|-----|------------|------|----------------------------------|
| 1 | 097.022.03 | 1 | Handgrip set |
| 2 | 121.160.00 | 1 | Throttle twist grip |
| 3 | 028.023.00 | 1 | Twist grip tube w/o handgrip set |
| 4 | 121.188.00 | 1 | R/h front brake pump bracket |
| 5 | 030.043.03 | 1 | Master cylinder assy |
| 6 | 121.186.00 | 1 | Lever bolt, r/h |
| 7 | 121.185.03 | 1 | R/h brake lever |
| 8 | 121.192.00 | 1 | Master cylinder assy |
| 9 | 071.532.00 | 1 | Hydraulic brake hose fixing |
| 10 | 121.189.00 | 1 | Pump cover |
| 11 | 184.179.00 | 2 | Pump cover screw |
| 12 | 121.190.00 | 1 | Pump cover gasket |
| 13 | 190.006.00 | 2 | Copper banjo washer |
| 14 | 150.024.14 | 1 | Brake hose bolt |
| 15 | 162.047.13 | 1 | Handlebar |
| 16 | 021.026.00 | 1 | Stop switch |
| 17 | 088.042.03 | 1 | L/h mirror |
| 18 | 121.162.00 | 1 | Lever bolt, l/h |
| 19 | 121.168.00 | 1 | L/h clutch control assy |
| 20 | 121.169.03 | 1 | Clutch lever |
| 21 | 033.053.00 | 1 | Front hydraulic brake hose |
| 22 | 034.155.03 | 1 | Throttle cable |
| 23 | 048.040.03 | 1 | Clutch cable |
| 24 | 121.191.00 | 2 | Screw |
| 25 | 020.079.00 | 1 | R/h switch with MODE |

**Manubrio & comandi
 Handlebar & controls**


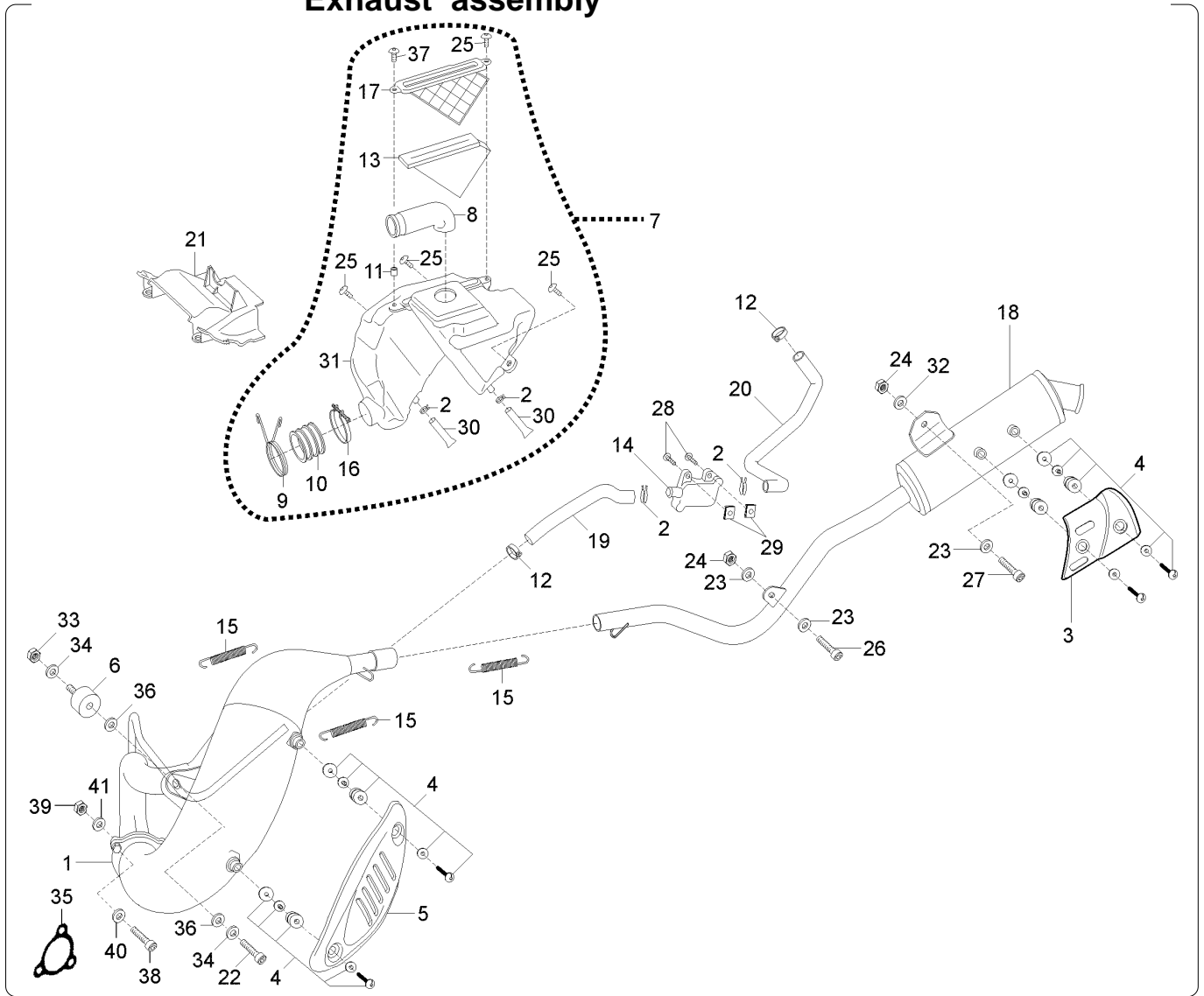
| Nr. | Codice | Q.tà | Descrizione |
|-----|------------|------|------------------------------------|
| 26 | 020.068.00 | 1 | Commutatore sx |
| 27 | 072.165.00 | 1 | Gommino interruttore stop |
| 28 | 034.107.03 | 1 | Trasmissione leva starter |
| 29 | 121.171.00 | 1 | Portadispositivo sx con leva choke |
| 30 | 149.008.00 | 1 | Registro filo gas |
| 31 | 121.187.00 | 1 | Dado fulcro leva dx |
| 32 | 184.078.13 | 1 | Dado fulcro leva sx |
| 33 | 121.166.00 | 1 | Coperchio comando gas |
| 34 | 149.009.00 | 1 | Registro filo frizione |
| 35 | 121.167.00 | 1 | Attacco comando frizione |
| 36 | 184.105.15 | 2 | Vite attacco comando frizione |
| 37 | 121.170.00 | 1 | Portaleva sx |

| Nr. | Code | Q.ty | Description |
|-----|------------|------|------------------------------------|
| 26 | 020.068.00 | 1 | L/h switch |
| 27 | 072.165.00 | 1 | Stop switch rubber grommet |
| 28 | 034.107.03 | 1 | Starter cable |
| 29 | 121.171.00 | 1 | L/h holder switch with choke lever |
| 30 | 149.008.00 | 1 | Throttle cable adjuster |
| 31 | 121.187.00 | 1 | R/h lever nut |
| 32 | 184.078.13 | 1 | L/h lever nut |
| 33 | 121.166.00 | 1 | Throttle cover |
| 34 | 149.009.00 | 1 | Clutch lever adjuster |
| 35 | 121.167.00 | 1 | L/h clutch control clamp |
| 36 | 184.105.15 | 2 | Screw |
| 37 | 121.170.00 | 1 | Clutch lever holder |

Impianto elettrico
Electrical system


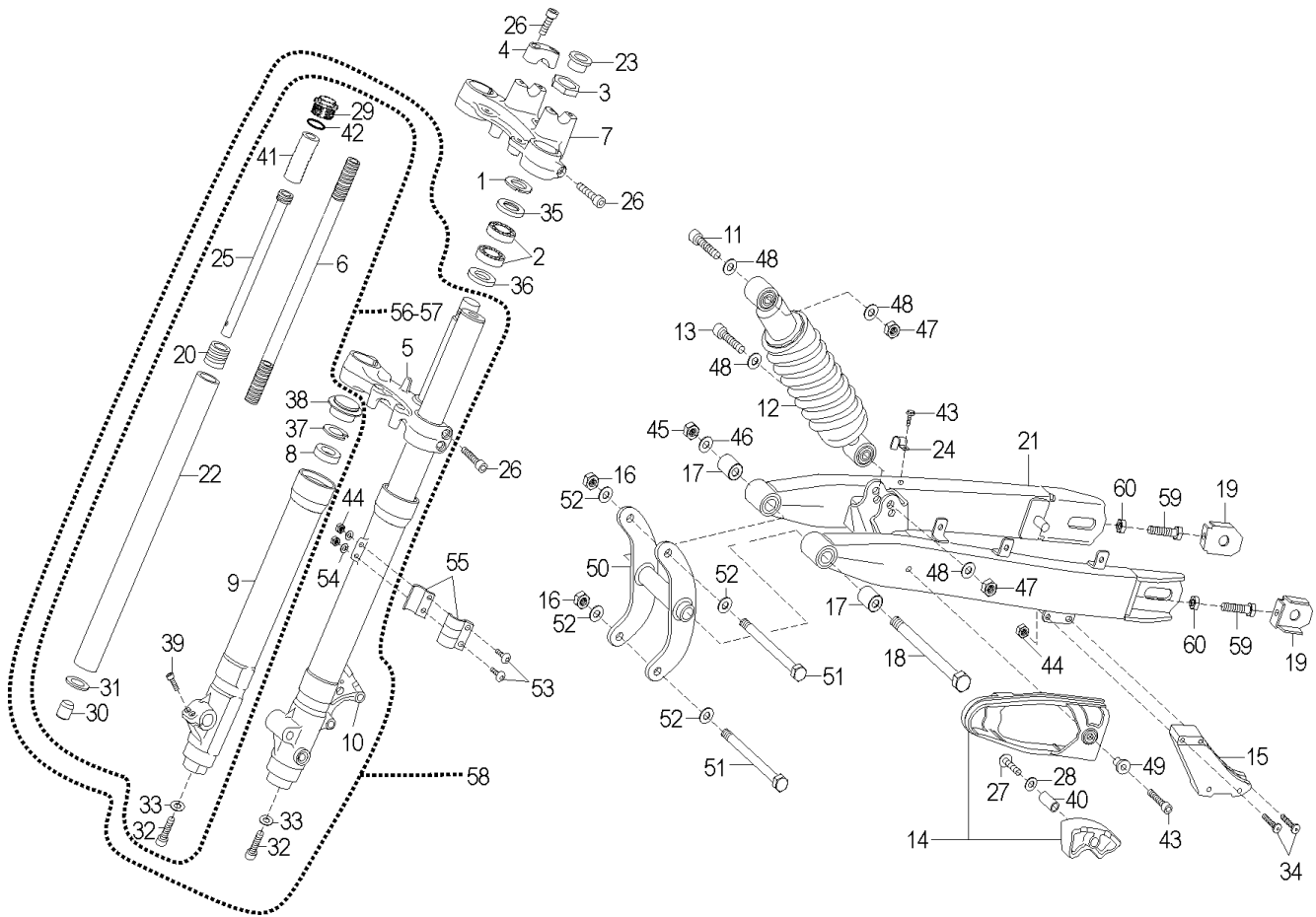
| Nr. | Codice | Q.tà | Descrizione |
|-----|------------|------|----------------------------------|
| 26 | 184.035.15 | 2 | Vite |
| 27 | 184.036.13 | 1 | Vite |
| 28 | 184.380.00 | 2 | Vite |
| 29 | 184.201.00 | 1 | Prestola M 6 |
| 30 | 080.002.00 | 2 | Gommino |
| 31 | 184.099.13 | 2 | Dado |
| 32 | 072.275.00 | 1 | Gommino supporto CDI |
| 33 | 021.035.00 | 1 | Interruttore cavalletto laterale |
| 34 | 024.134.00 | 1 | Solenioide |
| 35 | 180.095.50 | 1 | Tubo solenoide |
| 36 | 180.095.51 | 1 | Tubo solenoide |
| 37 | 025.067.00 | 1 | Sensore temperatura aria |
| 38 | 092.050.00 | 1 | Kit serrature |

| Nr. | Code | Q.ty | Description |
|-----|------------|------|-----------------------|
| 26 | 184.035.15 | 2 | Screw |
| 27 | 184.036.13 | 1 | Screw |
| 28 | 184.380.00 | 2 | Screw |
| 29 | 184.201.00 | 1 | Clamp |
| 30 | 080.002.00 | 2 | Rubber grommet |
| 31 | 184.099.13 | 2 | Nut |
| 32 | 072.275.00 | 1 | CDI fixing rubber |
| 33 | 021.035.00 | 1 | Side stand switch |
| 34 | 024.134.00 | 1 | Solenoid |
| 35 | 180.095.50 | 1 | Solenoid hose |
| 36 | 180.095.51 | 1 | Solenoid hose |
| 37 | 025.067.00 | 1 | Air temperatur sender |
| 38 | 092.050.00 | 1 | Lock set |

Gruppo scarico & aspirazione
Exhaust assembly


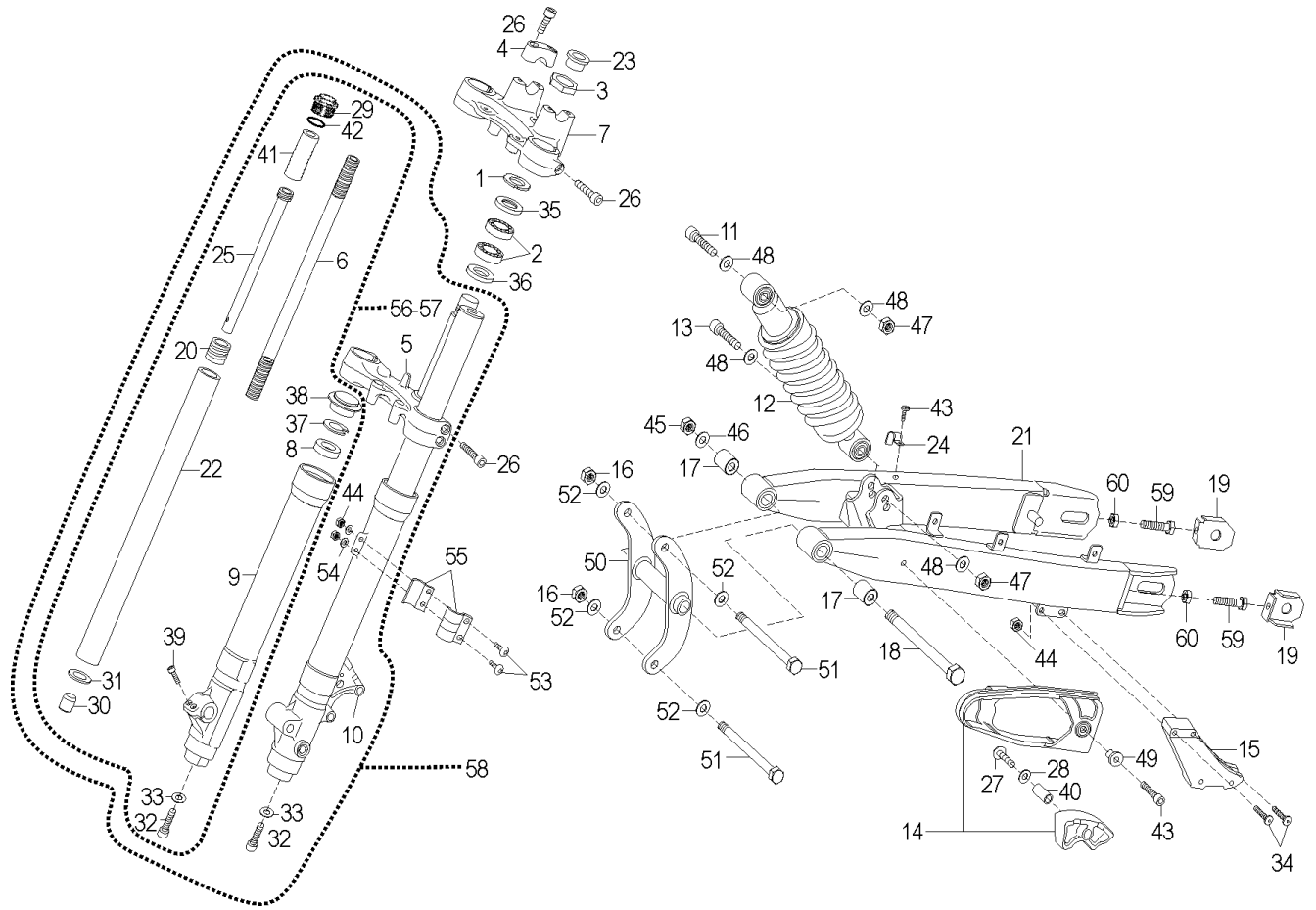
| Nr. | Codice | Q.tà | Descrizione |
|-----|------------|------|--------------------------------------|
| 1 | 165.220.99 | 1 | Marmitta catalitica |
| 2 | 167.018.13 | 2 | Fascetta stringitubo |
| 3 | 071.546.16 | 1 | Protezione silenziatore |
| 4 | 150.320.00 | 4 | Kit fissaggio griglia |
| 5 | 166.050.99 | 1 | Protezione marmitta |
| 6 | 075.042.00 | 1 | Silentblock marmitta |
| 7 | 066.139.03 | 1 | Cassetta filtro completa |
| 8 | 076.037.00 | 1 | Manicotto cassetta aspirazione |
| 9 | 147.157.13 | 1 | Molla manicotto aspirazione |
| 10 | 076.035.00 | 1 | Manicotto aspirazione al carburatore |
| 11 | 075.028.00 | 1 | Boccola |
| 12 | 167.049.00 | 2 | Fascetta |
| 13 | 066.140.00 | 1 | Filtro aspirazione |
| 14 | 094.023.00 | 1 | Valvola aria AIS |
| 15 | 147.026.14 | 3 | Molla scarico |
| 16 | 167.061.00 | 1 | Fascetta manicotto aspirazione |
| 17 | 066.142.03 | 1 | Coperchio cassetta filtro |
| 18 | 166.052.99 | 1 | Silenziatore scarico |
| 19 | 180.061.00 | 1 | Tubo marmitta - valvola |
| 20 | 180.062.00 | 1 | Tubo valvola - cassetta filtro |
| 21 | 071.544.03 | 1 | Protezione cassetta aspirazione |
| 22 | 184.272.13 | 1 | Vite silentblock marmitta |
| 23 | 184.264.13 | 3 | Rondella |
| 24 | 184.078.13 | 2 | Dado |
| 25 | 184.359.00 | 4 | Vite |

| Nr. | Code | Q.ty | Description |
|-----|------------|------|---------------------------|
| 1 | 165.220.99 | 1 | Kat - exhaust system assy |
| 2 | 167.018.13 | 2 | Clamp |
| 3 | 071.546.16 | 1 | Silencer heat shield |
| 4 | 150.320.00 | 4 | Heat shield fixing screw |
| 5 | 166.050.99 | 1 | Exhaust heat shield |
| 6 | 075.042.00 | 1 | Exhaust silentblock |
| 7 | 066.139.03 | 1 | Air box assy |
| 8 | 076.037.00 | 1 | Air box intake sleeve |
| 9 | 147.157.13 | 1 | Air box spring clip |
| 10 | 076.035.00 | 1 | Air box carb. sleeve |
| 11 | 075.028.00 | 1 | Collar |
| 12 | 167.049.00 | 2 | Clamp |
| 13 | 066.140.00 | 1 | Air filter |
| 14 | 094.023.00 | 1 | AIS air valve |
| 15 | 147.026.14 | 3 | Exhaust spring |
| 16 | 167.061.00 | 1 | Clamp |
| 17 | 066.142.03 | 1 | Air box cover |
| 18 | 166.052.99 | 1 | Kat - silencer assy |
| 19 | 180.061.00 | 1 | Hose (exhaust - valve) |
| 20 | 180.062.00 | 1 | Hose (valve - air box) |
| 21 | 071.544.03 | 1 | Air box protection |
| 22 | 184.272.13 | 1 | Screw |
| 23 | 184.264.13 | 3 | Washer |
| 24 | 184.078.13 | 2 | Nut |
| 25 | 184.359.00 | 4 | Screw |

**Sospensione anteriore 6 posteriore
 Front & rear suspension**


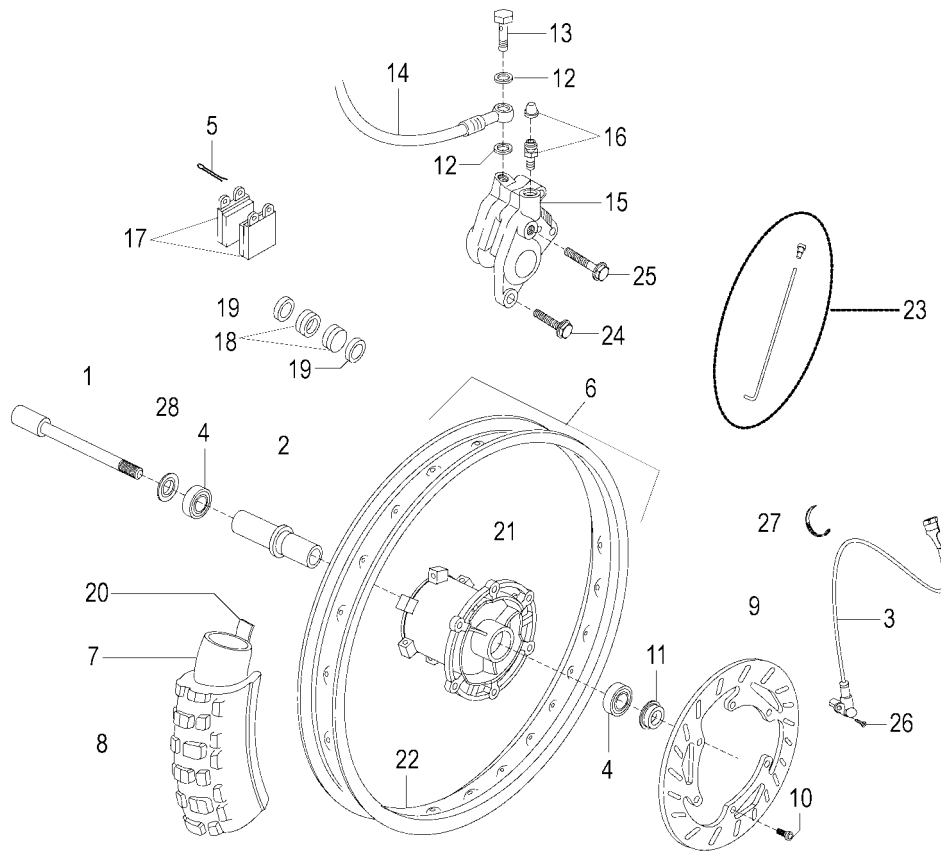
| Nr. | Codice | Q.tà | Descrizione |
|-----|------------|------|----------------------------|
| 26 | 184.248.01 | 10 | Viti fissaggio trapezio |
| 27 | 184.038.13 | 1 | Vite |
| 28 | 184.053.13 | 1 | Rondella |
| 29 | 120.431.00 | 2 | Tappo tubo canna forcella |
| 30 | 120.448.00 | 2 | Cono fine corsa |
| 31 | 184.252.01 | 2 | Rondella cono fine corsa |
| 32 | 184.250.01 | 2 | Vite base cono |
| 33 | 184.251.01 | 2 | Rondella base cono |
| 34 | 184.091.15 | 4 | Vite passacatena |
| 35 | 072.003.00 | 1 | Parapolvere superiore |
| 36 | 071.539.00 | 1 | Parapolvere inferiore |
| 37 | 120.446.00 | 2 | Anello tenuta paraolio |
| 38 | 120.445.00 | 2 | Cuffia parapolvere |
| 39 | 184.249.00 | 2 | Vite base fodero |
| 40 | 150.311.13 | 1 | Distanziale pattino catena |
| 41 | 120.457.00 | 2 | Distanziale interno |
| 42 | 120.432.00 | 2 | O-Ring |
| 43 | 184.171.15 | 2 | Vite |
| 44 | 184.078.13 | 6 | Dado |
| 45 | 185.010.00 | 1 | Dado |
| 46 | 119.224.00 | 1 | Rondella |
| 47 | 184.263.14 | 2 | Dado |
| 48 | 184.094.13 | 4 | Rondella |
| 49 | 150.148.14 | 1 | Boccola |
| 50 | 174.039.99 | 1 | Attacco motore |

| Nr. | Code | Q.ty | Description |
|-----|------------|------|--------------------------|
| 26 | 184.248.01 | 10 | Fixing screw |
| 27 | 184.038.13 | 1 | Screw |
| 28 | 184.053.13 | 1 | Washer |
| 29 | 120.431.00 | 2 | Plug inner tube |
| 30 | 120.448.00 | 2 | Taper spindle |
| 31 | 184.252.01 | 2 | Washer |
| 32 | 184.250.01 | 2 | Screw |
| 33 | 184.251.01 | 2 | Washer |
| 34 | 184.091.15 | 4 | Screw |
| 35 | 072.003.00 | 1 | Dust seal upper |
| 36 | 071.539.00 | 1 | Dust seal lower |
| 37 | 120.446.00 | 2 | Clip oil seal |
| 38 | 120.445.00 | 2 | Dust seal |
| 39 | 184.249.00 | 2 | Screw |
| 40 | 150.311.13 | 1 | Chain slidin shoe spacer |
| 41 | 120.457.00 | 2 | Inner spacer |
| 42 | 120.432.00 | 2 | O-Ring |
| 43 | 184.171.15 | 2 | Screw |
| 44 | 184.078.13 | 6 | Nut |
| 45 | 185.010.00 | 1 | Nut |
| 46 | 119.224.00 | 1 | Washer |
| 47 | 184.263.14 | 2 | Nut |
| 48 | 184.094.13 | 4 | Washer |
| 49 | 150.148.14 | 1 | Collar |
| 50 | 174.039.99 | 1 | Engine bracket |

**Sospensione anteriore & posteriore
 Front & rear suspension**


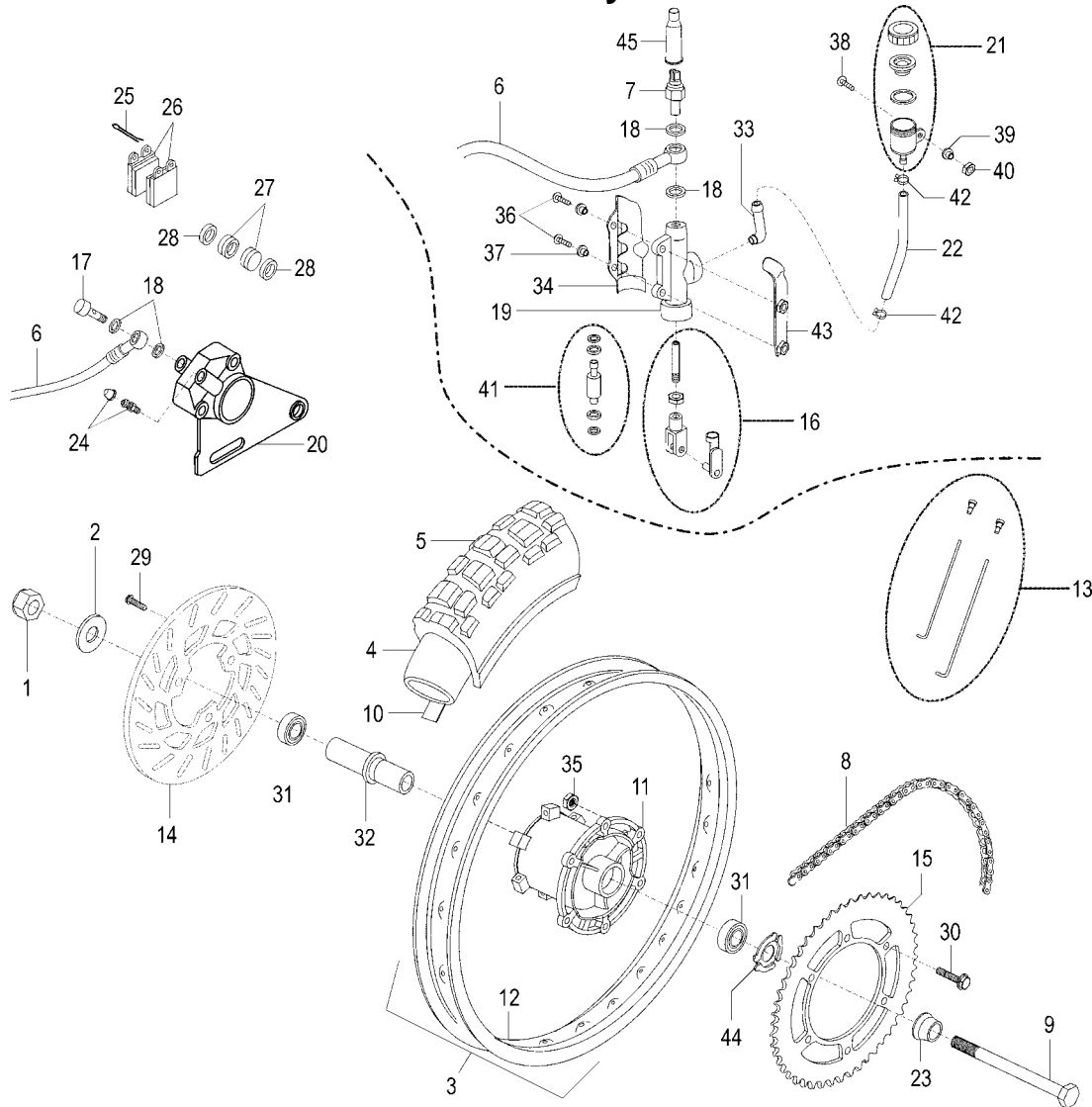
| Nr. | Codice | Q.tà | Descrizione |
|-----|------------|------|----------------------------------|
| 51 | 184.403.00 | 3 | Vite |
| 52 | 184.053.13 | 6 | Rondella |
| 53 | 184.255.15 | 2 | Vite |
| 54 | 184.051.13 | 2 | Rondella |
| 55 | 071.097.03 | 1 | Fissaggio trasmissione idraulica |
| 56 | 120.450.00 | 1 | Portaruota dx |
| 57 | 120.451.00 | 1 | Portaruota sx |
| 58 | 013.055.50 | 1 | Forcella idraulica |
| 59 | 184.271.13 | 2 | Vite |
| 60 | 184.145.13 | 2 | Dado |

| Nr. | Code | Q.ty | Description |
|-----|------------|------|-----------------------------|
| 51 | 184.403.00 | 3 | Screw |
| 52 | 184.053.13 | 6 | Washer |
| 53 | 184.255.15 | 2 | Screw |
| 54 | 184.051.13 | 2 | Washer |
| 55 | 071.097.03 | 1 | Hydraulic brake hose fixing |
| 56 | 120.450.00 | 1 | Fork leg assy, r/h |
| 57 | 120.451.00 | 1 | Fork leg assy, l/h |
| 58 | 013.055.50 | 1 | Front fork assy |
| 59 | 184.271.13 | 2 | Screw |
| 60 | 184.145.13 | 2 | Nut |

Ruota anteriore & impianto frenante
Front wheel & brake system


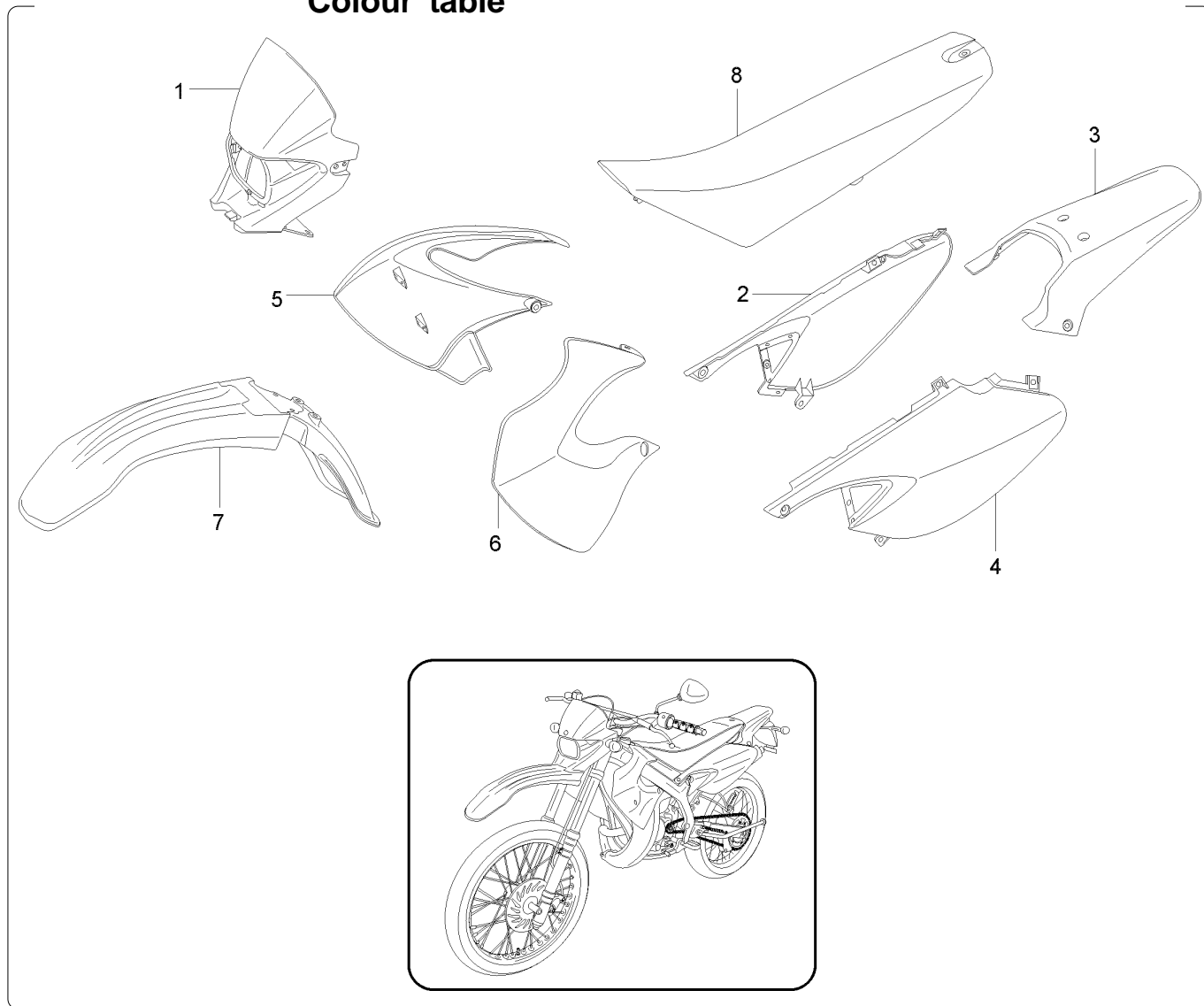
| Nr. | Codice | Q.tà | Descrizione |
|-----|------------|------|----------------------------------|
| 1 | 100.020.13 | 1 | Perno ruota anteriore |
| 2 | 119.670.00 | 1 | Distanziale cuscinetti |
| 3 | 178.189.00 | 1 | Rinvio contakm elettronico Hall |
| 4 | 119.478.00 | 2 | Cuscinetto ruota |
| 5 | 119.666.00 | 2 | Copiglia |
| 6 | 111.047.00 | 1 | Ruota anteriore |
| 7 | 054.041.00 | 1 | Camera d' aria 2.75 / 3.00 - 21 |
| 8 | 053.006.00 | 1 | Copertura 80 / 90 - 21 |
| 9 | 119.659.00 | 1 | Disco freno anteriore |
| 10 | 184.128.13 | 6 | Vite disco freno |
| 11 | 150.381.13 | 1 | Distanziale |
| 12 | 190.006.00 | 2 | Rasamenti |
| 13 | 150.024.14 | 1 | Vite trasmissione idraulica |
| 14 | 033.053.00 | 1 | Trasmissione idraulica anteriore |
| 15 | 031.047.03 | 1 | Pinza freno anteriore |
| 16 | 119.603.00 | 1 | Valvola di sfiato |
| 17 | 119.681.00 | 1 | Kit pastiglie freno anteriori |
| 18 | 119.680.00 | 2 | Pistoncini |
| 19 | 119.682.00 | 2 | Anelli di tenuta |
| 20 | 070.016.00 | 1 | Cordone salvacamera 21 |
| 21 | 114.016.00 | 1 | Mozzo anteriore |
| 22 | 117.034.00 | 1 | Cerchio 1.85 x 21 - 36 fori |
| 23 | 118.059.00 | 1 | Kit raggi + nipples anteriori |
| 24 | 184.363.00 | 1 | Bullone |
| 25 | 184.371.00 | 1 | Bullone |

| Nr. | Code | Q.ty | Description |
|-----|------------|------|---------------------------------|
| 1 | 100.020.13 | 1 | Front wheel spindle |
| 2 | 119.670.00 | 1 | Bearing spacer |
| 3 | 178.189.00 | 1 | Speedo drive, Hall |
| 4 | 119.478.00 | 2 | Wheel bearing |
| 5 | 119.666.00 | 2 | Split pin |
| 6 | 111.047.00 | 1 | Front wheel |
| 7 | 054.041.00 | 1 | Air tube 2.75 / 3.00 - 21 |
| 8 | 053.006.00 | 1 | Tyre 80 / 90 - 21 |
| 9 | 119.659.00 | 1 | Front brake disc |
| 10 | 184.128.13 | 6 | Front brake fixing screw |
| 11 | 150.381.13 | 1 | Spacer |
| 12 | 190.006.00 | 2 | Copper banjo washer |
| 13 | 150.024.14 | 1 | Brake hose bolt |
| 14 | 033.053.00 | 1 | Front hydraulic brake hose |
| 15 | 031.047.03 | 1 | Front brake caliper |
| 16 | 119.603.00 | 1 | Bleeding overhaul set |
| 17 | 119.681.00 | 1 | Front brake pad kit |
| 18 | 119.680.00 | 2 | Brake pistons |
| 19 | 119.682.00 | 2 | Seal ring caliper |
| 20 | 070.016.00 | 1 | Band rim |
| 21 | 114.016.00 | 1 | Front hub |
| 22 | 117.034.00 | 1 | Front wheel rim |
| 23 | 118.059.00 | 1 | Front wheel spoke + nipples kit |
| 24 | 184.363.00 | 1 | Bolt |
| 25 | 184.371.00 | 1 | Bolt |

Ruota posteriore & impianto frenante
Rear wheel & brake system


| Nr. | Codice | Q.tà | Descrizione |
|-----|------------|------|-----------------------------------|
| 1 | 185.010.00 | 1 | Dado ruota posteriore |
| 2 | 119.224.00 | 1 | Rondella |
| 3 | 112.064.00 | 1 | Ruota posteriore |
| 4 | 054.040.00 | 1 | Camera d'aria 3.25 / 3.50 - 18 |
| 5 | 053.005.00 | 1 | Copertura 110 / 80 - 18 |
| 6 | 033.054.00 | 1 | Trasmissione idraulica posteriore |
| 7 | 021.025.00 | 1 | Interruttore stop idraulico |
| 8 | 049.083.00 | 1 | Catena 1/2 x 1/4 - 132 maglie |
| 9 | 100.021.13 | 1 | Perno ruota posteriore |
| 10 | 070.017.00 | 1 | Cordone salvacamera 18 |
| 11 | 114.017.00 | 1 | Mozzo posteriore |
| 12 | 117.035.00 | 1 | Cerchio 2.15 x 18 - 36 fori |
| 13 | 118.060.00 | 1 | Kit raggi + nipples posteriori |
| 14 | 119.661.00 | 1 | Disco freno posteriore |
| 15 | 122.023.00 | 1 | Corona Z = 62 |
| 16 | 119.685.00 | 1 | Asta leva freno + forcella |
| 17 | 150.024.14 | 1 | Vite trasmissione idraulica |
| 18 | 190.006.00 | 4 | Rasamento |
| 19 | 030.046.03 | 1 | Pompa freno posteriore |
| 20 | 031.045.03 | 1 | Pinza freno posteriore |
| 21 | 069.025.00 | 1 | Serbatoio olio freni |
| 22 | 180.063.00 | 1 | Tubo pompa freno - serbatoio olio |
| 23 | 150.387.13 | 1 | Distanziale pacco ruota |
| 24 | 119.603.00 | 1 | Valvola di sfiato |
| 25 | 119.666.00 | 2 | Copiglia |

| Nr. | Code | Q.ty | Description |
|-----|------------|------|--------------------------------|
| 1 | 185.010.00 | 1 | Rear wheel nut |
| 2 | 119.224.00 | 1 | Washer |
| 3 | 112.064.00 | 1 | Rear wheel |
| 4 | 054.040.00 | 1 | Air tube 3.25 / 3.50 - 18 |
| 5 | 053.005.00 | 1 | Tyre 110 / 80 - 18 |
| 6 | 033.054.00 | 1 | Rear hydraulic brake hose |
| 7 | 021.025.00 | 1 | Hydraulic stop switch |
| 8 | 049.083.00 | 1 | Chain |
| 9 | 100.021.13 | 1 | Rear wheel axle |
| 10 | 070.017.00 | 1 | Band rim |
| 11 | 114.017.00 | 1 | Rear hub |
| 12 | 117.035.00 | 1 | Rear wheel rim |
| 13 | 118.060.00 | 1 | Rear wheel spoke + nipples kit |
| 14 | 119.661.00 | 1 | Rear brake disc |
| 15 | 122.023.00 | 1 | Rear sprocket |
| 16 | 119.685.00 | 1 | Rear brake rod with fork |
| 17 | 150.024.14 | 1 | Brake hose bolt |
| 18 | 190.006.00 | 4 | Copper banjo bolt |
| 19 | 030.046.03 | 1 | Rear master cylinder |
| 20 | 031.045.03 | 1 | Rear brake caliper |
| 21 | 069.025.00 | 1 | Brake oil tank |
| 22 | 180.063.00 | 1 | Brake hose |
| 23 | 150.387.13 | 1 | Spacer |
| 24 | 119.603.00 | 1 | Bleeding overhaul set |
| 25 | 119.666.00 | 2 | Split pin |

**Colori moto
 Colour table**

TABELLA COLORI - COLOUR CODES
Colori - Colours

| N° Nr. | Codice Code | 05 Arancio Malaguti Malaguti Amber | 11 Giallo Malaguti Malaguti Yellow | | | | | |
|-------------------|------------------------|---|---|--|--|--|--|--|
| 1 | 058.049. | 75 | 70 | | | | | |
| 2 | 060.114. | 75 | 70 | | | | | |
| 3 | 056.075. | 75 | 74 | | | | | |
| 4 | 060.115. | 75 | 70 | | | | | |
| 5 | 062.072. | 75 | 70 | | | | | |
| 6 | 062.073. | 75 | 70 | | | | | |
| 7 | 055.063. | 75 | 74 | | | | | |
| 8 | 106.098. | 60 | 61 | | | | | |
| -- | 181.369. | 53 | 54 | | | | | |

XTM 50 ENDURO Kat Euro 2

Motore AM6 Power-Up

AM6 Power-Up engine parts

| Nr. | Codice | Q.tà | Descrizione | Nr. | Code | Q.ty | Description |
|------|------------|------|---|------|------------|------|---|
| 15 | 715.120.00 | 1 | Carburatore DELL'ORTO PHBN 16 - NS / R 3180 | 15 | 715.120.00 | 1 | Carburettor DELL'ORTO PHBN 16 - NS / R 3180 |
| 19 | 771.222.00 | 1 | Cilindro completo + pistone Ø 40.3 standard | 19 | 771.222.00 | 1 | Cylinder assy Ø 40.3 standard |
| 62 | 771.219.00 | 1 | Pistone completo Ø 40.3 standard | 62 | 771.219.00 | 1 | Piston assy Ø 40.3 standard |
| 77 | 777.029.00 | 1 | Testa con resche | 77 | 777.029.00 | 1 | Cylinder head assy |
| 82 | 782.032.00 | 1 | Volano magnete | 82 | 782.032.00 | 1 | Magneto flywheel |
| 99 | 709.008.00 | 1 | Desmodromico | 99 | 709.008.00 | 1 | Shift cam assy |
| 111 | 711.011.00 | 1 | Candela | 111 | 711.011.00 | 1 | Spark plug |
| 212 | 721.110.00 | 1 | Coperchio frizione | 212 | 721.110.00 | 1 | Clutch cover |
| 213 | 721.085.00 | 1 | Coperchio pompa olio | 213 | 721.085.00 | 1 | Oli pump cover |
| 214 | 721.086.00 | 1 | Coperchio volano | 214 | 721.086.00 | 1 | Magneto flywheel cover |
| 332 | 733.010.00 | 1 | Forchetta selettore con perni | 332 | 733.010.00 | 1 | Shift fork |
| 333 | 733.011.00 | 1 | Forchetta comando con perno | 333 | 733.011.00 | 1 | Shift fork 1° - 3° |
| 334 | 733.012.00 | 1 | Forchetta comando con perno | 334 | 733.012.00 | 1 | Shift fork 2° - 4° |
| 335 | 733.013.00 | 1 | Forchetta comando con perno | 335 | 733.013.00 | 1 | Shift fork 5° - 6° |
| 381 | 771.196.00 | 1 | Imbiellaggio + gabbia | 381 | 771.196.00 | 1 | Crankshaft |
| 382 | 771.197.00 | 1 | Biella completa | 382 | 771.197.00 | 1 | Connecting rod |
| 435 | 743.021.00 | 1 | Leva frizione completa | 435 | 743.021.00 | 1 | Clutch lever assy |
| 471 | 747.002.00 | 1 | Molla richiamo leva M.M. | 471 | 747.002.00 | 1 | Hub returning lever |
| 582 | 758.023.00 | 1 | Pignone rinvio Z = 11 | 582 | 758.023.00 | 1 | Sprocket Z = 11 |
| 606 | 760.063.00 | 1 | Collettore aspirazione | 606 | 760.063.00 | 1 | Intake manifold |
| 641 | 799.118.00 | 1 | Kit pompa olio completa | 641 | 799.118.00 | 1 | Oil pump kit assy |
| 657 | 765.010.00 | 1 | Ponte registro filo pompa olio | 657 | 765.010.00 | 1 | Oil cable holder |
| 658 | 765.011.00 | 1 | Ponte cavo frizione | 658 | 765.011.00 | 1 | Clutch cable holder |
| 681 | 771.217.00 | 1 | Serie segmenti Ø 40 | 681 | 771.217.00 | 1 | Piston ring assy Ø 40 standard |
| 701 | 770.033.00 | 1 | Coppia carter | 701 | 770.033.00 | 1 | Crankcase set |
| 911 | 701.062.00 | 1 | Albero primario | 911 | 701.062.00 | 1 | Main shaft |
| 912 | 701.063.00 | 1 | Albero messa in moto | 912 | 701.063.00 | 1 | Kick starter shaft |
| 914 | 701.064.00 | 1 | Albero secondario | 914 | 701.064.00 | 1 | Counter shaft |
| 915 | 701.065.00 | 1 | Albero selettore con piastrina | 915 | 701.065.00 | 1 | Gear selector shaft |
| 917 | 701.066.00 | 1 | Contralbero | 917 | 701.066.00 | 1 | Balancer shaft |
| 971 | 024.133.00 | 1 | Bobina A.T. | 971 | 024.133.00 | 1 | H.T. coil |
| 976 | 024.131.00 | 1 | Centralina CDI | 976 | 024.131.00 | 1 | CDI unit |
| 2421 | 072.275.00 | 1 | Supporto centralina CDI | 2421 | 072.275.00 | 1 | CDI bracket |
| 2430 | 724.076.00 | 1 | Gommino registro filo pompa olio | 2430 | 724.076.00 | 1 | Oil pump rubber |
| 2467 | 724.040.00 | 1 | Manicotto entrata acqua | 2467 | 724.040.00 | 1 | Water manifold |
| 2472 | 760.066.00 | 1 | Inserto valvola a lamelle | 2472 | 760.066.00 | 1 | Reed valve insert |
| 2478 | 724.077.00 | 1 | Gommino passatubi pompa olio | 2478 | 724.077.00 | 1 | Oil pump rubber |
| 2492 | 724.033.00 | 1 | Tappo alimentazione olio | 2492 | 724.033.00 | 1 | Oil plug |
| 2495 | 715.121.00 | 1 | Tubo uscita olio | 2495 | 715.121.00 | 1 | Oil pipe |
| 2496 | 715.122.00 | 1 | Tubo entrata olio | 2496 | 715.122.00 | 1 | Oil pipe |
| 2607 | 715.107.00 | 1 | Tubetto deviatore | 2607 | 715.107.00 | 1 | Pipe |
| 2655 | 726.049.00 | 1 | Piastrina passatubo | 2655 | 726.049.00 | 1 | Pipe plate |
| 3117 | 066.272.00 | 1 | Filtro aria solenoide | 3117 | 066.272.00 | 1 | Solenoid air filter |
| 3511 | 735.044.00 | 1 | Spingidisco frizione | 3511 | 735.044.00 | 1 | Clutch pressure disc |

XTM 50 ENDURO Kat Euro 2

Motore AM6 Power-Up

AM6 Power-Up engine parts

| Nr. | Codice | Q.tà | Descrizione |
|------|------------|------|--|
| 3540 | 735.045.00 | 3 | Disco frizione condotto |
| 3551 | 735.022.00 | 4 | Disco frizione conduttore |
| 4001 | 771.218.00 | 1 | Coppia frizione Z = 20 / 71 |
| 4017 | 740.193.00 | 1 | Tamburo frizione |
| 4022 | 740.162.00 | 1 | Ingranaggio 2° velocità su primario |
| 4023 | 740.163.00 | 1 | Ingranaggio 3° - 4° velocità su primario |
| 4025 | 740.164.00 | 1 | Ingranaggio 5° velocità su primario |
| 4026 | 740.165.00 | 1 | Ingranaggio 6° velocità su primario |
| 4031 | 740.166.00 | 1 | Ingranaggio 1° velocità su secondario |
| 4032 | 740.167.00 | 1 | Ingranaggio 2° velocità su secondario |
| 4033 | 740.168.00 | 1 | Ingranaggio 3° velocità su secondario |
| 4034 | 740.169.00 | 1 | Ingranaggio 4° velocità su secondario |
| 4035 | 740.170.00 | 1 | Ingranaggio 5° velocità su secondario |
| 4036 | 740.171.00 | 1 | Ingranaggio 6° velocità su secondario |
| 4040 | 740.111.00 | 1 | Ingranaggio doppio intermedio |
| 4045 | 740.172.00 | 1 | Ingranaggio messa in moto |
| 4048 | 740.113.00 | 1 | Ingranaggio condotto pompa acqua |
| 4049 | 740.039.00 | 1 | Ingranaggio condotto pompa olio - acqua |
| 4060 | 740.194.00 | 1 | Ingranaggio contralbero (1) |
| 4061 | 740.195.00 | 1 | Ingranaggio contralbero (2) |
| 4066 | 740.023.00 | 1 | Ingranaggio scorrevole messa in moto |
| 4620 | 746.070.00 | 4 | Molla frizione |
| 4625 | 746.006.00 | 1 | Molla innesto scorrevole M.M. |
| 4635 | 746.061.00 | 1 | Molla sfera segnamarce |
| 4639 | 746.065.00 | 1 | Molla protezione tubo olio uscita olio |
| 4650 | 746.013.00 | 1 | Molla richiamo forchetta selettore |
| 4655 | 746.014.00 | 1 | Molla richiamo leva comando cambio |
| 4660 | 746.038.00 | 1 | Molla richiamo leva frizione |
| 4665 | 746.019.00 | 1 | Molla richiamo leva M.M |
| 4680 | 746.030.00 | 1 | Molla a disco reggispinta 17.3 x 27.7 x 0.35 |
| 5101 | 751.001.00 | 2 | Astuccio a rullini DB 14 - 12 |
| 5106 | 751.038.00 | 1 | Boccola guida molla selettore |
| 5113 | 751.008.00 | 1 | Gabbia KBK Ø 12 x 15 x 15 |
| 5146 | 751.005.00 | 1 | Cuscinetto Ø 15 x 35 x 11 (6202) |
| 5148 | 104.028.00 | 1 | Cuscinetto Ø 17 x 40 x 12 (6203) |
| 5156 | 751.087.00 | 1 | Cuscinetto Ø 20 x 47 x 14 (6204) |
| 5172 | 104.028.00 | 1 | Cuscinetto Ø 17 x 40 x 12 (6203) |
| 5178 | 751.102.00 | 2 | Cuscinetto Ø 17 x 47 x 14 (6303-9T2CS31) |
| 5181 | 120.261.00 | 1 | Sfera 3 / 16 |
| 5182 | 751.037.00 | 1 | Sfera Ø 9 |
| 5303 | 753.002.00 | 2 | Anello di tenuta O.R. Ø 12.5 x 1.5 |
| 5310 | 753.166.00 | 1 | Anello di tenuta O.R. Ø 25.07 x 2.62 |
| 5315 | 753.167.00 | 1 | Anello di tenuta O.R. Ø 15.1 x 2.7 |
| 5318 | 753.048.00 | 1 | Anello di tenuta O.R. Ø 11.8 x 2.4 |

| Nr. | Code | Q.ty | Description |
|------|------------|------|---------------------------------------|
| 3540 | 735.045.00 | 3 | Clutch plate driven |
| 3551 | 735.022.00 | 4 | Clutch plate drive |
| 4001 | 771.218.00 | 1 | Gear set Z = 20 / 71 |
| 4017 | 740.193.00 | 1 | Clutch drum |
| 4022 | 740.162.00 | 1 | Gear 2 nd drive |
| 4023 | 740.163.00 | 1 | Gear 3 rd - 4 th drive |
| 4025 | 740.164.00 | 1 | Gear 5 th drive |
| 4026 | 740.165.00 | 1 | Gear 6 th drive |
| 4031 | 740.166.00 | 1 | Gear 1 st driven |
| 4032 | 740.167.00 | 1 | Gera 2 nd driven |
| 4033 | 740.168.00 | 1 | Gear 3 rd driven |
| 4034 | 740.169.00 | 1 | Gear 4 th driven |
| 4035 | 740.170.00 | 1 | Gear 5 th driven |
| 4036 | 740.171.00 | 1 | Gear 6 th driven |
| 4040 | 740.111.00 | 1 | Idle gear assy |
| 4045 | 740.172.00 | 1 | Starting gear |
| 4048 | 740.113.00 | 1 | Water pump gear |
| 4049 | 740.039.00 | 1 | Oil pump gear |
| 4060 | 740.194.00 | 1 | Balancer shaft gear (1) |
| 4060 | 740.195.00 | 1 | Balancer shaft gear (2) |
| 4066 | 740.023.00 | 1 | Starting sliding |
| 4620 | 746.070.00 | 4 | Clutch spring |
| 4625 | 746.006.00 | 1 | Starting sliding spring |
| 4635 | 746.061.00 | 1 | Gear spring |
| 4639 | 746.065.00 | 1 | Oil pipe protection spring |
| 4650 | 746.013.00 | 1 | Fork spring |
| 4655 | 746.014.00 | 1 | Gear lever spring |
| 4660 | 746.038.00 | 1 | Clutch lever spring |
| 4665 | 746.019.00 | 1 | Kick starter spring |
| 4680 | 746.030.00 | 1 | Spring |
| 5101 | 751.001.00 | 2 | Needle bearing DB 14 - 12 |
| 5106 | 751.038.00 | 1 | Selector bush |
| 5113 | 751.008.00 | 1 | Roller bearing KBK Ø 12 x 15 x 15 |
| 5146 | 751.005.00 | 1 | Bearing Ø 15 x 35 x 11 (6202) |
| 5148 | 104.028.00 | 1 | Bearing Ø 17 x 40 x 12 (6203) |
| 5156 | 751.087.00 | 1 | Bearing Ø 20 x 47 x 14 (6204) |
| 5172 | 104.028.00 | 1 | Bearing Ø 17 x 40 x 12 (6203) |
| 5178 | 751.102.00 | 2 | Bearing Ø 17 x 47 x 14 (6303-9T2CS31) |
| 5181 | 120.261.00 | 1 | Cage 3 / 16 |
| 5182 | 751.037.00 | 1 | Cage Ø 9 |
| 5303 | 753.002.00 | 2 | Oil seal O.R. Ø 12.5 x 1.5 |
| 5310 | 753.166.00 | 1 | Oil seal O.R. Ø 25.07 x 2.62 |
| 5315 | 753.167.00 | 1 | Oil seal O.R. Ø 15.1 x 2.7 |
| 5318 | 753.048.00 | 1 | Oil seal O.R. Ø 11.8 x 2.4 |

XTM 50 ENDURO Kat Euro 2

Motore AM6 Power-Up

AM6 Power-Up engine parts

| Nr. | Codice | Q.tà | Descrizione |
|-------|------------|------|-------------------------------------|
| 5320 | 753.097.00 | 1 | Guarnizione base cilindro |
| 5327 | 753.098.00 | 1 | Guarnizione coperchio frizione |
| 5341 | 753.100.00 | 1 | Guarnizione corpo pompa acqua |
| 5357 | 753.028.00 | 1 | Guarnizione vite arresto scorrevole |
| 5358 | 753.058.00 | 1 | Guarnizione vite livello olio |
| 5359 | 753.029.00 | 1 | Guarnizione vite scarico olio |
| 5362 | 753.169.00 | 1 | Guarnizione |
| 5371 | 753.031.00 | 1 | Paraolio Ø 12 x 22 x 7 |
| 5372 | 753.170.00 | 1 | Paraolio Ø 15 x 24 x 5 |
| 5376 | 753.171.00 | 1 | Paraolio B1B Ø 17 x 35 x 8 |
| 5395 | 753.172.00 | 1 | Paraolio BADUO Ø 10 x 18 x 8 |
| 5398 | 753.102.00 | 1 | Paraolio BAVI U3 24 x 35 x 7 |
| 5603 | 756.060.00 | 1 | Perno pompa acqua con girante |
| 5605 | 743.022.00 | 1 | Asta frizione |
| 5609 | 021.037.00 | 1 | Bulbo temperatura acqua |
| 5611 | 756.104.00 | 1 | Busta porta sfera segnamarce |
| 5612 | 756.080.00 | 1 | Termostato |
| 5615 | 756.015.00 | 2 | Grano riferimento carter |
| 5616 | 756.016.00 | 2 | Grano riferimento coperchi |
| 5636 | 756.064.00 | 1 | Perno guida forchetta |
| 5637 | 756.105.00 | 1 | Perno guida forchetta |
| 5645 | 756.035.00 | 1 | Interruttore spia folle |
| 5650 | 756.106.00 | 1 | Perno pompa olio |
| 5653 | 756.107.00 | 1 | Perno |
| 5661 | 756.024.00 | 2 | Rullo per ingranaggio |
| 5663 | 756.038.00 | 2 | Rullo riferimento corpo pompa |
| 5665 | 756.013.00 | 1 | Asta spingidisco frizione completa |
| 5670 | 756.126.00 | 1 | Spinotto Ø 12 x 34.5 |
| 6013 | 760.064.00 | 1 | Corpo pompa acqua |
| 6015 | 760.065.00 | 1 | Valvola lamelle completa |
| 9323 | 703.002.00 | 2 | Anello fermo spinotto Ø 12 |
| 9351 | 703.003.00 | 3 | Anello seeger per albero Ø 8 |
| 9352 | 703.036.00 | 2 | Anello seeger per albero Ø 12 |
| 9355 | 703.037.00 | 2 | Anello seeger per albero Ø 18 |
| 9356 | 703.038.00 | 1 | Anello seeger per albero Ø 18 |
| 9362 | 703.039.00 | 3 | Anello seeger per albero Ø 20 |
| 9363 | 703.040.00 | 2 | Anello seeger per albero Ø 14 |
| 9365 | 703.041.00 | 3 | Anello seeger per albero Ø 20 |
| 9717 | 026.035.00 | 1 | Regolatore di tensione |
| 9725 | 024.134.00 | 1 | Solenoide |
| 15270 | 715.056.00 | 1 | Raccordo sfiato olio |
| 24107 | 077.058.00 | 2 | Tubo raccordo testa - carburatore |
| 49004 | 749.148.00 | 1 | Fascetta tubo uscita olio |
| 49005 | 749.180.00 | 1 | Fascetta collettore aspirazione |

| Nr. | Code | Q.ty | Description |
|-------|------------|------|-------------------------------|
| 5320 | 753.097.00 | 1 | Base cylinder gasket |
| 5327 | 753.098.00 | 1 | Clutch cover gasket |
| 5341 | 753.100.00 | 1 | Water pump body gasket |
| 5357 | 753.028.00 | 1 | Gasket |
| 5358 | 753.058.00 | 1 | Oil level screw gasket |
| 5359 | 753.029.00 | 1 | Oil drain screw gasket |
| 5362 | 753.169.00 | 1 | Neutral switch gasket |
| 5371 | 753.031.00 | 1 | Oil seal Ø 12 x 22 x 7 |
| 5372 | 753.170.00 | 1 | Oil seal Ø 15 x 24 x 5 |
| 5376 | 753.171.00 | 1 | Oli seal B1B Ø 17 x 35 x 8 |
| 5395 | 753.172.00 | 1 | Oil seal BADUO Ø 10 x 18 x 8 |
| 5398 | 753.102.00 | 1 | Oil seal BAVI U3 24 x 35 x 7 |
| 5603 | 756.060.00 | 1 | Water pump impeller |
| 5605 | 743.022.00 | 1 | Clutch push rod |
| 5609 | 021.037.00 | 1 | Water temperature switch |
| 5611 | 756.104.00 | 1 | Gear cage housing |
| 5612 | 756.080.00 | 1 | Thermostat |
| 5615 | 756.015.00 | 2 | Cranckcase pin |
| 5616 | 756.016.00 | 2 | Cover pin |
| 5636 | 756.064.00 | 1 | Fork pin |
| 5637 | 756.105.00 | 1 | Fork pin |
| 5645 | 756.035.00 | 1 | Neutral switch |
| 5650 | 756.106.00 | 1 | Oil pump pivot |
| 5653 | 756.107.00 | 1 | Pivot |
| 5661 | 756.024.00 | 2 | Gear pin |
| 5663 | 756.038.00 | 2 | Water pump body pin |
| 5665 | 756.013.00 | 1 | Clutch push rod |
| 5670 | 756.126.00 | 1 | Piston pin Ø 12 x 34.5 |
| 6013 | 760.064.00 | 1 | Water pump body |
| 6015 | 760.065.00 | 1 | Reed valve assy |
| 9323 | 703.002.00 | 2 | Piston pin circlip Ø 12 |
| 9351 | 703.003.00 | 3 | Seeger shaft Ø 8 |
| 9352 | 703.036.00 | 2 | Seeger shaft Ø 12 |
| 9355 | 703.037.00 | 2 | Seeger shaft Ø 18 |
| 9356 | 703.038.00 | 1 | Seeger shaft Ø 18 |
| 9362 | 703.039.00 | 3 | Seeger shaft Ø 20 |
| 9363 | 703.040.00 | 2 | Seeger shaft Ø 14 |
| 9365 | 703.041.00 | 3 | Seeger shaft Ø 20 |
| 9717 | 026.035.00 | 1 | Regulator |
| 9725 | 024.134.00 | 1 | Solenoid |
| 15270 | 715.056.00 | 1 | Oil drain joint |
| 24107 | 077.058.00 | 2 | Head - carburettor hose joint |
| 49004 | 749.148.00 | 1 | Oil pipe clamp |
| 49005 | 749.180.00 | 1 | Intake manifold clamp |

XTM 50 ENDURO Kat Euro 2

Motore AM6 Power-Up

AM6 Power-Up engine parts

| Nr. | Codice | Q.tà | Descrizione |
|-----|--------|------|-------------|
|-----|--------|------|-------------|

| | | | |
|-------|------------|----|--|
| 49007 | 749.147.00 | 1 | Fascetta tubo entrata olio |
| 49009 | 749.285.00 | 1 | Chiavetta ingranaggio contralbero |
| 49010 | 749.170.00 | 1 | Chiavetta pignone |
| 49015 | 749.003.00 | 1 | Chiavetta volano magnete |
| 49022 | 749.220.00 | 4 | Fascetta |
| 49035 | 749.074.00 | 1 | Dado M 7 x 5.5 - (CH = 12) |
| 49037 | 749.209.00 | 4 | Dado M 7 x 1 autobloccante cieco |
| 49040 | 749.158.00 | 1 | Dado M 10 x 1.25 - (CH = 15) |
| 49041 | 749.052.00 | 1 | Dado M 12 x 1.25 - (CH = 17) - H = 7 |
| 49042 | 749.009.00 | 1 | Dado M 14 x 1.25 - (CH = 19) - H = 6 |
| 49049 | 749.111.00 | 1 | Dado M 12 x 1 - (CH = 19) - H = 5 |
| 49056 | 749.272.00 | 1 | Dado M 12 x 1.25 - (CH = 17) - H = 11 |
| 49068 | 749.077.00 | 1 | Distanziale forchetta |
| 49070 | 749.286.00 | 1 | Distanziale cuscinetto paraolio frizione |
| 49074 | 749.115.00 | 1 | Distanziale inferiore tamburo frizione |
| 49084 | 749.078.00 | 4 | Prigioniero M 7 x 115 |
| 49095 | 749.287.00 | 4 | Rondella bisellata Ø 7.4 x 14 x 1.6 |
| 49099 | 749.288.00 | 1 | Dado M 5 x 0.75 |
| 49101 | 749.079.00 | 1 | Rondella dentellata Ø 7 |
| 49120 | 749.054.00 | 2 | Rondella rasamento Ø 10 x 16 x 0.6 |
| 49122 | 749.273.00 | 1 | Rondella Ø 12 x 17 x 0.6 |
| 49124 | 749.025.00 | 2 | Rondella Ø 12.3 x 22 |
| 49131 | 749.274.00 | 1 | Rondella Ø 16 x 25 x 0.4 |
| 49132 | 749.275.00 | 1 | Rondella Ø 17.2 x 30 x 0.8 |
| 49135 | 749.276.00 | 1 | Rondella Ø 20.45 x 28 x 0.4 |
| 49139 | 749.277.00 | 1 | Rondella Ø 14.5 x 27 x 0.4 |
| 49151 | 749.161.00 | 3 | Rondella Ø 8.4 x 16 x 0.6 |
| 49155 | 749.120.00 | 3 | Rondella Ø 8.2 x 15 x 1 |
| 49175 | 749.061.00 | 1 | Rondella Ø 12.75 x 28 x 1.5 |
| 49191 | 749.347.00 | 4 | Rondella Ø 5 x 15 x 2 |
| 49192 | 749.128.00 | 1 | Rondella Ø 12 |
| 49193 | 749.129.00 | 1 | Rondella Ø 14 x 26 x 0.5 |
| 49200 | 749.063.00 | 1 | Vite registro frizione |
| 49226 | 749.278.00 | 3 | Vite M 4 x 10 con flangia |
| 49227 | 749.035.00 | 2 | Vite M 6 x 7 |
| 49230 | 749.088.00 | 2 | Vite M 4 x 10 |
| 49236 | 749.141.00 | 2 | Vite M 5 x 16 |
| 49238 | 749.065.00 | 5 | Vite M 5 x 20 |
| 49244 | 749.279.00 | 2 | Vite M 6 x 22 |
| 49245 | 749.068.00 | 2 | Vite M 6 x 25 |
| 49246 | 749.038.00 | 7 | Vite M 6 x 30 |
| 49248 | 749.280.00 | 13 | Vite M 6 x 40 |
| 49251 | 749.281.00 | 1 | Vite M 6 x 55 |
| 49255 | 749.176.00 | 1 | Vite M 6 x 12 |

| Nr. | Code | Q.ty | Description |
|-----|------|------|-------------|
|-----|------|------|-------------|

| | | | |
|-------|------------|----|--------------------------------------|
| 49007 | 749.147.00 | 1 | Clamp |
| 49009 | 749.285.00 | 1 | Balancer shaft key |
| 49010 | 749.170.00 | 1 | Sprocket key |
| 49015 | 749.003.00 | 1 | Woodruff key |
| 49022 | 749.220.00 | 4 | Clamp |
| 49035 | 749.074.00 | 1 | Nut M 7 x 5.5 - (CH = 12) |
| 49037 | 749.209.00 | 4 | Nut M 7 x 1 |
| 49040 | 749.158.00 | 1 | Nut M 10 x 1.25 - (CH = 15) |
| 49041 | 749.052.00 | 1 | Nut M 12 x 1.25 - (CH = 17) - H = 7 |
| 49042 | 749.009.00 | 1 | Nut M 14 x 1.25 - (CH = 19) - H = 6 |
| 49049 | 749.111.00 | 1 | Nut M 12 x 1 - (CH = 19) - H = 5 |
| 49056 | 749.272.00 | 1 | Nut M 12 x 1.25 - (CH = 17) - H = 11 |
| 49068 | 749.077.00 | 1 | Fork spacer |
| 49070 | 749.286.00 | 1 | Bearing spacer |
| 49074 | 749.115.00 | 1 | Lower spacer |
| 49084 | 749.078.00 | 4 | Stud bolt M 7 x 115 |
| 49095 | 749.287.00 | 4 | Washer Ø 7.4 x 14 x 1.6 |
| 49099 | 749.288.00 | 1 | Nut M 5 x 0.75 |
| 49101 | 749.079.00 | 1 | Washer Ø 7 |
| 49120 | 749.054.00 | 2 | Washer Ø 10 x 16 x 0.6 |
| 49122 | 749.273.00 | 1 | Washer Ø 12 x 17 x 0.6 |
| 49124 | 749.025.00 | 2 | Washer Ø 12.3 x 22 |
| 49131 | 749.274.00 | 1 | Washer Ø 16 x 25 x 0.4 |
| 49132 | 749.275.00 | 1 | Washer Ø 17.2 x 30 x 0.8 |
| 49135 | 749.276.00 | 1 | Washer Ø 20.45 x 28 x 0.4 |
| 49139 | 749.277.00 | 1 | Washer Ø 14.5 x 27 x 0.4 |
| 49151 | 749.161.00 | 3 | Washer Ø 8.4 x 16 x 0.6 |
| 49155 | 749.120.00 | 3 | Washer Ø 8.2 x 15 x 1 |
| 49175 | 749.061.00 | 1 | Washer Ø 12.75 x 28 x 1.5 |
| 49191 | 749.347.00 | 4 | Washer Ø 5 x 15 x 2 |
| 49192 | 749.128.00 | 1 | Washer Ø 12 |
| 49193 | 749.129.00 | 1 | Washer Ø 14 x 26 x 0.5 |
| 49200 | 749.063.00 | 1 | Clutch adjusting screw |
| 49226 | 749.278.00 | 3 | Screw M 4 x 10 |
| 49227 | 749.035.00 | 2 | Screw M 6 x 7 |
| 49230 | 749.088.00 | 2 | Screw M 4 x 10 |
| 49236 | 749.141.00 | 2 | Screw M 5 x 16 |
| 49238 | 749.065.00 | 5 | Screw M 5 x 20 |
| 49244 | 749.279.00 | 2 | Screw M 6 x 22 |
| 49245 | 749.068.00 | 2 | Screw M 6 x 25 |
| 49246 | 749.038.00 | 7 | Screw M 6 x 30 |
| 49248 | 749.280.00 | 13 | Screw M 6 x 40 |
| 49251 | 749.281.00 | 1 | Screw M 6 x 55 |
| 49255 | 749.176.00 | 1 | Screw M 6 x 12 |

XTM 50 ENDURO Kat Euro 2

Motore AM6 Power-Up

AM6 Power-Up engine parts

| Nr. | Codice | Q.tà | Descrizione |
|-----|--------|------|-------------|
|-----|--------|------|-------------|

| | | | |
|-------|------------|---|--|
| 49281 | 749.069.00 | 1 | Vite M 8 x 10 - (CH = 13) scarico olio |
| 49290 | 749.070.00 | 1 | Vite M 12 x 1.25 arresto scorrevole M.M. |
| 49292 | 749.282.00 | 2 | Vite M 6 x 20 |
| 49405 | 749.255.00 | 1 | Rondella Ø 6 x 11 x 1.2 |
| 49528 | 749.283.00 | 1 | Vite tendifilo |
| 49840 | 749.284.00 | 2 | Vite M 5 x 35 |
| 53309 | 753.174.00 | 1 | Guarnizione testa esterna |
| 53310 | 753.175.00 | 1 | Guarnizione testa interna |
| 53508 | 753.173.00 | 1 | Paraolio BASL Ø 20 x 35 x 7 |
| -- | 701.067.00 | 1 | Albero primario completo |
| -- | 701.068.00 | 1 | Albero secondario completo |
| -- | 701.069.00 | 1 | Albero selettore completo |
| -- | 721.111.00 | 1 | Coperchio frizione completo |
| -- | 740.174.00 | 1 | Cambio completo 6 velocità |
| -- | 799.116.00 | 1 | Serie guarnizioni AM 6 |
| -- | 771.110.00 | 1 | Serie paraolio AM 6 |
| -- | 771.220.00 | 1 | Pistone completo Ø 40.3 - 1° maggiorazione |
| -- | 771.221.00 | 1 | Serie segmenti Ø 40.3 - 1° maggiorazione |
| -- | 142.139.03 | 1 | Motore completo (174.132) Euro 2 |

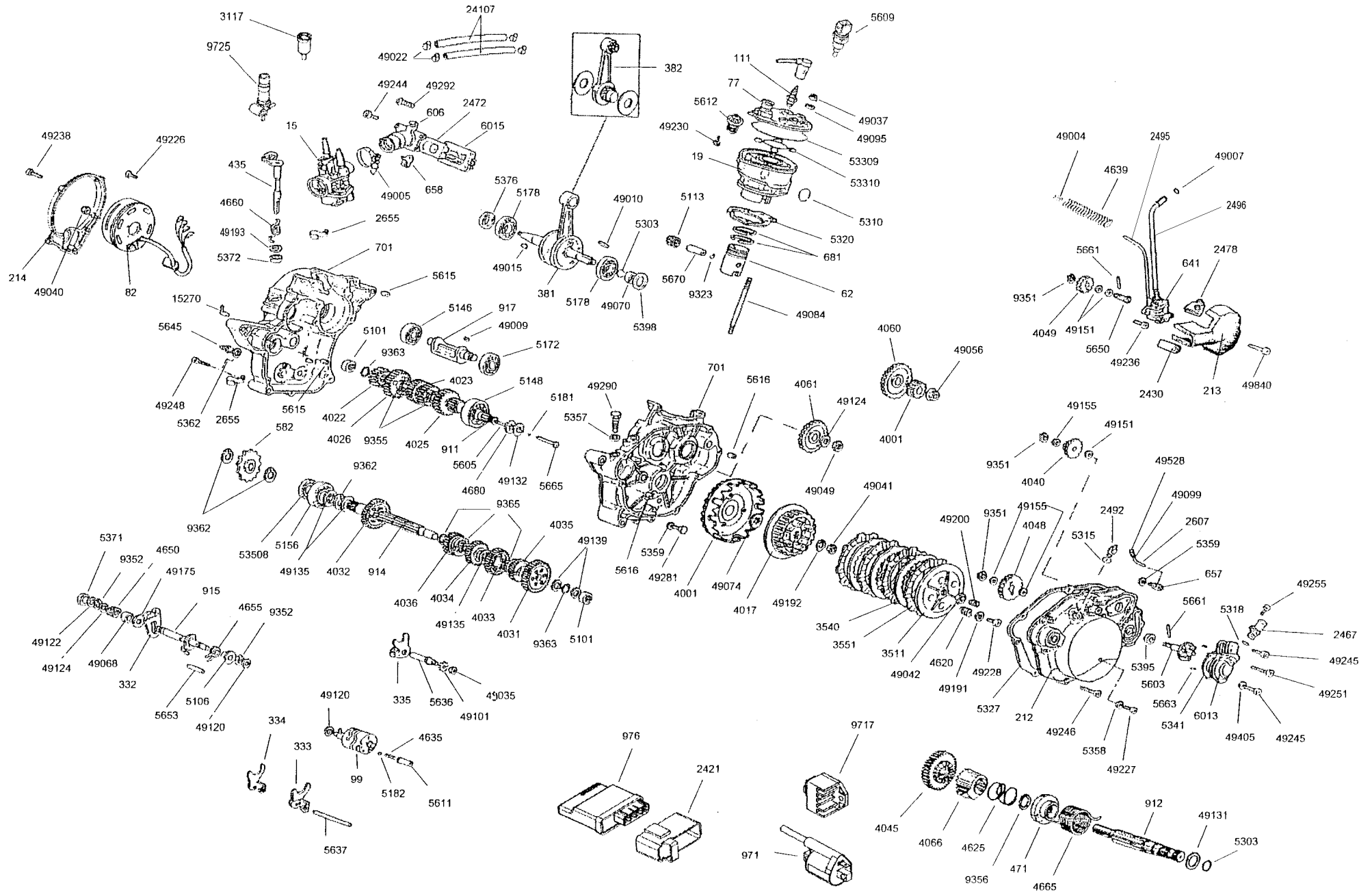
| Nr. | Code | Q.ty | Description |
|-----|------|------|-------------|
|-----|------|------|-------------|

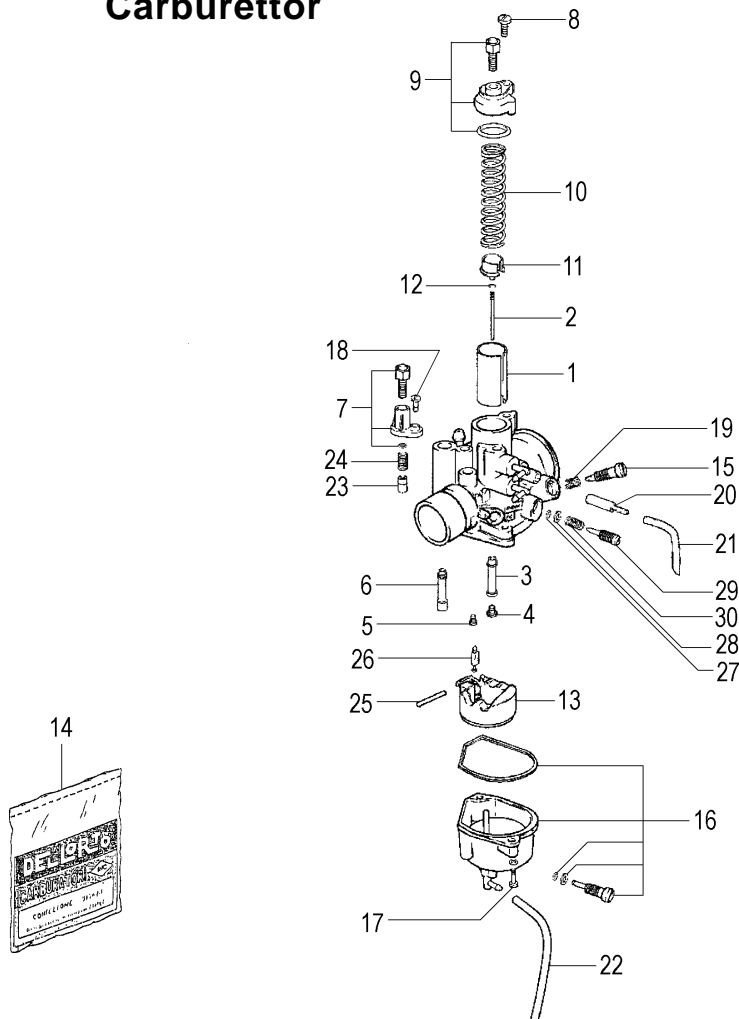
| | | | |
|-------|------------|---|--|
| 49281 | 749.069.00 | 1 | Screw M 8 x 10 - (CH = 13) |
| 49290 | 749.070.00 | 1 | Screw M 12 x 1.25 |
| 49292 | 749.282.00 | 2 | Screw M 6 x 20 |
| 49405 | 749.255.00 | 1 | Washer Ø 6 x 11 x 1.2 |
| 49528 | 749.283.00 | 1 | Screw |
| 49840 | 749.284.00 | 2 | Screw M 5 x 35 |
| 53309 | 753.174.00 | 1 | External head gasket |
| 53310 | 753.175.00 | 1 | Internal head gasket |
| 53508 | 753.173.00 | 1 | Oil seal BASL Ø 20 x 35 x 7 |
| -- | 701.067.00 | 1 | Main shaft assy |
| -- | 701.068.00 | 1 | Counter shaft assy |
| -- | 701.069.00 | 1 | Gear selector shaft assy |
| -- | 721.111.00 | 1 | Clutch cover assy |
| -- | 740.174.00 | 1 | Gear assy 6 speed |
| -- | 799.116.00 | 1 | Gasket set AM 6 |
| -- | 771.110.00 | 1 | Oil seal set AM 6 |
| -- | 771.220.00 | 1 | Piston assy Ø 40.3 - 1° oversized |
| -- | 771.221.00 | 1 | Piston ring assy Ø 40.3 - 1° oversized |
| -- | 142.139.03 | 1 | Engine assy (174.132) Euro 2 |

XTM 50 ENDURO Kat Euro 2

Motore AM6 Power-Up

AM6 Power-Up engine parts



**Carburatore
Carburettor**


| Nr. | Codice | Q.tà | Descrizione |
|-----|------------|------|---|
| 01 | 623.266.00 | 1 | Valvola gas completa Ø 40 |
| 02 | 623.323.00 | 1 | Spillo conico A 39 |
| 03 | 623.322.00 | 1 | Polverizzatore HA 210 |
| 04 | 623.396.00 | 1 | Getto massimo Ø 80 |
| 05 | 623.395.00 | 1 | Getto minimo Ø 35 |
| 06 | 623.267.00 | 1 | Getto avviamento Ø 45 |
| 07 | 623.399.00 | 1 | Coperchio starter avviamento |
| 08 | 623.239.00 | 1 | Vite coperchio valvola gas |
| 09 | 623.397.00 | 1 | Coperchio valvola gas |
| 10 | 623.241.00 | 1 | Molla richiamo valvola gas |
| 11 | 623.053.00 | 1 | Fermo spillo conico |
| 12 | 623.054.00 | 1 | Seeger spillo conico |
| 13 | 623.400.00 | 1 | Galleggiante |
| 14 | 623.281.00 | 1 | Busta guarnizioni |
| 15 | 623.073.00 | 1 | Vite regolazione aria |
| 16 | 623.260.00 | 1 | Vaschetta completa |
| 17 | 623.060.00 | 2 | Vite fissaggio vaschetta |
| 18 | 623.407.00 | 1 | Vite coperchio starter |
| 19 | 623.076.00 | 1 | Molla vite regolazione aria |
| 20 | 623.403.00 | 1 | Valvola regolazione aria |
| 21 | 623.280.00 | 1 | Tubo aria carburatore |
| 22 | 623.398.00 | 1 | Tubo sfiato vaschetta |
| 23 | 623.404.00 | 1 | Valvola starter |
| 24 | 623.405.00 | 1 | Molla valvola starter |
| 25 | 623.402.00 | 1 | Perno galleggiante |
| 26 | 623.401.00 | 1 | Spillo galleggiante |
| 27 | 623.409.00 | 1 | Guarnizione vite minimo |
| 28 | 623.410.00 | 1 | Rondella vite minimo |
| 29 | 623.406.00 | 1 | Vite regolazione minimo |
| 30 | 623.408.00 | 1 | Molla vite minimo |
| -- | 715.120.00 | 1 | Carburatore completo Dell'Orto PHBN 16 - NS / R 3180 |

| Nr. | Code | Q.ty | Description |
|-----|------------|------|---|
| 01 | 623.266.00 | 1 | Throttle valve assy Ø 40 |
| 02 | 623.323.00 | 1 | Needle A 39 |
| 03 | 623.322.00 | 1 | Spray nozzle HA 210 |
| 04 | 623.396.00 | 1 | Max jet Ø 80 |
| 05 | 623.395.00 | 1 | Idle jet Ø 35 |
| 06 | 623.267.00 | 1 | Starter jet Ø 45 |
| 07 | 623.399.00 | 1 | Starter cover |
| 08 | 623.239.00 | 1 | Carburettor panel screw |
| 09 | 623.397.00 | 1 | Carburettor panel |
| 10 | 623.241.00 | 1 | Throttle valve spring |
| 11 | 623.053.00 | 1 | Needle ring |
| 12 | 623.054.00 | 1 | Needle seeger |
| 13 | 623.400.00 | 1 | Float |
| 14 | 623.281.00 | 1 | Gasket set |
| 15 | 623.073.00 | 1 | Idle adjustment screw |
| 16 | 623.260.00 | 1 | Float chamber assy |
| 17 | 623.060.00 | 2 | Float chamber fixing screw |
| 18 | 623.407.00 | 1 | Starter cover screw |
| 19 | 623.076.00 | 1 | Idle screw spring |
| 20 | 623.403.00 | 1 | Valve adjustment |
| 21 | 623.280.00 | 1 | Air valve chamber pipe |
| 22 | 623.398.00 | 1 | Float chamber pipe |
| 23 | 623.404.00 | 1 | Starter valve |
| 24 | 623.405.00 | 1 | Starter valve spring |
| 25 | 623.402.00 | 1 | Float pivot |
| 26 | 623.401.00 | 1 | Float needle |
| 27 | 623.409.00 | 1 | Idle gasket |
| 28 | 623.410.00 | 1 | Idle washer |
| 29 | 623.406.00 | 1 | Idle adjustment screw |
| 30 | 623.408.00 | 1 | Idle spring |
| -- | 715.120.00 | 1 | Carburettor assy Dell'Orto PHBN 16 - NS / R 3180 |