

NACIONAL MOTOR, S.A.U. DERBI

C/ Barcelona, nº19 - Martorelles 08107 - BARCELONA (SPAIN)

Tel. 93 565 78 78 - Fax 93 565 78 52

DERBI



SENDA SM X-RACE 2004 E2

CÓDIGO CATÁLOGO
CATALOGUE NUMBER

7077CH04008

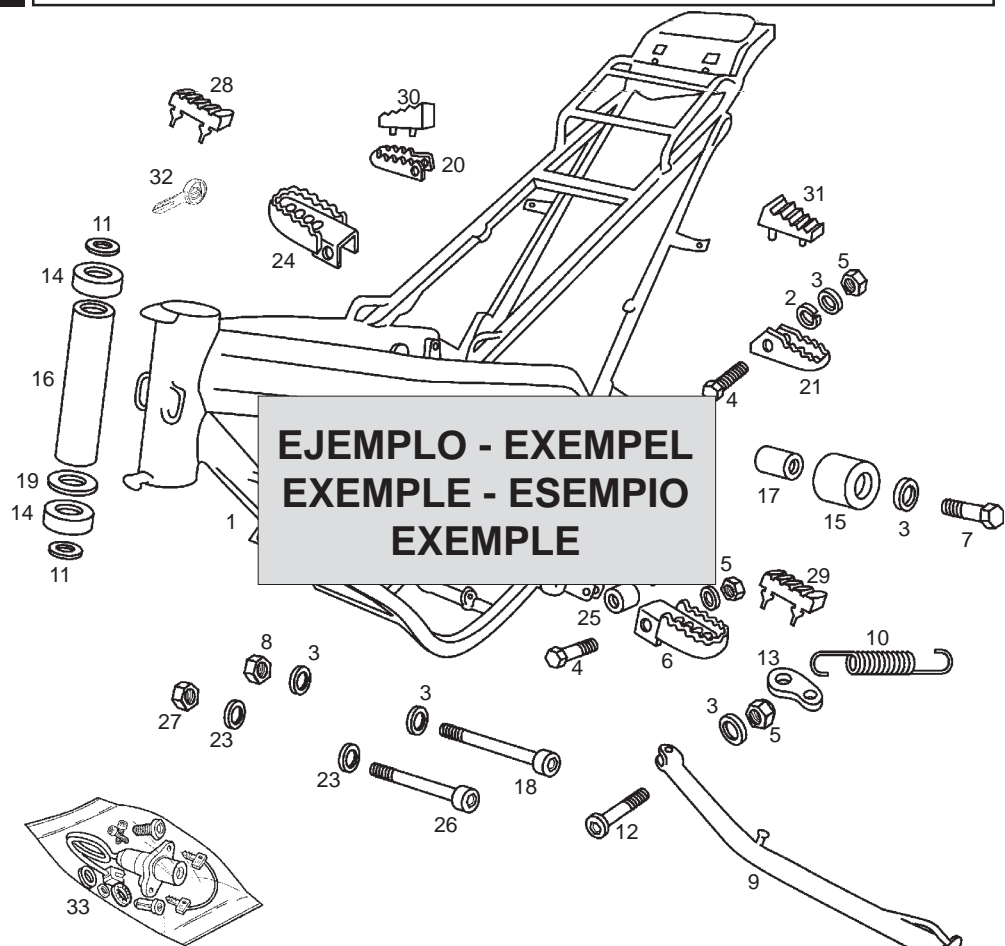


Fig.	Ver.	COD. KOD.	DESCRIPCIÓN DENOMINAZIONE NAME	BEZEICHUNG DESIGNATION	MOD.	NOTAS NOTES MITSCHRIFT NOTES
	01A	00G01924601	R-SCTO.CUADRO C/COJIN. ATLANTIS TELAIO FRAME SUB-ASSEMBLY	RHAMEN CADRE COMPLET	12	XXXXXXX
2	01A 01	00G01924601	R-SCTO.CUADRO C/COJIN. ATLANTIS TELAIO FRAME SUB-ASSEMBLY	RHAMEN CADRE COMPLET	12	XXXXXXX
3	01A 02	00G01924601				
4	01A 03	00G01924601	R-SCTO.CUADRO C/COJIN. ATLANTIS TELAIO FRAME SUB-ASSEMBLY	RHAMEN CADRE COMPLET	12	XXXXXXX

1- Código de localización de piezas. 2- Código indicativo de pieza reemplazada. 3- Código indicativo de pieza anulada. 4- Código indicativo de pieza restituida (esta se monta de nuevo). 5- Código de referencia de la pieza. 6- Identificación de modelos. 7- Los códigos de esta casilla indican que, a partir del número de chasis o motor indicado dentro de esta, se monta una nueva pieza que reemplaza a la anterior (sección 2), que una pieza no se monta (sección 3), o que la pieza anulada se monta de nuevo (sección 4), y concierne a los modelos indicados (sección 6). 8- Denominación de la pieza.

1- Codice di localizzazione pezzi. 2- Codice indicatore del pezzo sostituito. 3- Il pezzo precedente non si monta. 4- Codice indicatore dei pezzi che si tornano a montare. 5- Codice di identificazione del pezzo. 6- Identificazione del modello. 7- Il codice di questa casella indica che, dal numero di Telaio/motore indicato, si monta un nuovo pezzo che sostituisce il precedente (sezione 2), che un pezzo non si monta (sezione 3), oppure che il pezzo annullato si monta di nuovo (sezione 4), facendo riferimento al modello indicato (sezione 6). 8- Denominazione del pezzo.

1- Part location number. 2- Substituted part number. 3- Withdrawn part number (no longer fitted). 4- Restored part number (newly fitted going withdrawn). 5- Part reference number. 6- Model identification number. 7- Chassis or engine number from which a new part is fitted substituting a part which has been withdrawn (see para 2) or a part is withdrawn is fitted again (see para 4), in the models indicated (see para 6). 8- Part identification label.

1- Zeichungs - Number. 2- Ausführung. 3- Gestrichene Ersatzteilnummer. 4- Ersetzte Ersatzteilnummer. 5- Ersatzteilnummer. 6- Modell - Nummer. 7- Rhamen - order motonummer, für die ein neues teil eingestzt wird, z.b. eine nummer, die geändert (s. para 2), order ein teil, das gestrichen wurde (s. para 3), order ein teil, das vorübergehend verschiedene modelle (s. para 6) 8- Bezeichnung.

1- Code de localisation de la pièce. 2- Code indicateur de pièce remplace par un autre. 3- Code indicateur de pièce annulé (elle n'est plus montée). 4- Code indicateur de pièce restituée (elle se monte à nouveau). 5- Code référence de la pièce. 6- Les codes de cette case indiquant qu'à partir de numero 7- Chassis ou de moteur indiqué, un nouvelle pièce est montée en remplacement d'une autre (section 2), qu'une pièce n'est plus montée (section 3) ou la pièce anulée est montée à nouveau (section 4) et concernant les modélés indiqués (section 6). 8- Denomination de la pièce.

**IDENTIFICACION DE MODELOS REPRESENTADOS EN ESTE
CATALOGO SEGUN LOS DIGITOS SIGUIENTES**

**IDENTIFICAZIONE DEI MODELLI RAPPRESENTATI IN QUESTO CATALOGO
SECONDO I NUMERI A SEGUIRE**

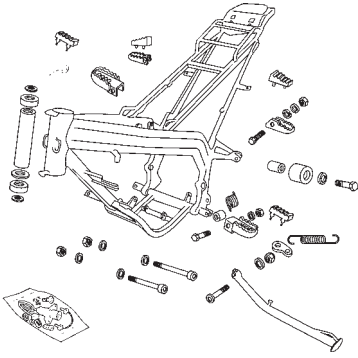
**THE MODELS REFERRED INTO THIS CATALOGUE ARE IDENTIFIED
BY FOLLOWING NUMBERS**

BESTIMMUNG DER VERSCHIEDENEN MODELLE IN DIESEM KATALOG

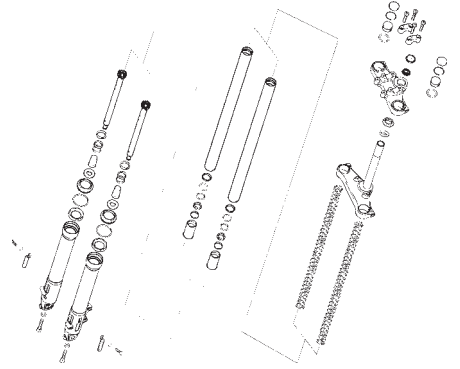
**IDENTIFICATION DES MODELOES REPRESENTES DANS CE CATALOGUE,
EN FONCTION DES CODES SUIVANTS**

MODELO MODELLI MODEL MODELL MODELE	DENOMINACION DENOMINAZIONE MODEL NAME BEZEICHNUNG DENOMINATION	CODIGO MODELO CODICE MODELLI CODE MODEL KODE MODELL CODE MODELE
1	SENDA SM X-RACE ESPAÑA NEGRA 2004 E2 SENDA SM X-RACE FRANCE BLACK 2004 E2 SENDA SM X-RACE ENGLAND BLACK 2004 E2 SENDA SM X-RACE ITALY BLACK 2004 E2	00H00033E483 00H00033F483 00H00033G484 00H00033I484
2	SENDA SM X-RACE AUSTRIA BLACK 2004 E2 SENDA SM X-RACE BENELUX BLACK 2004 E2	00H00033U483 00H00033X484
3	SENDA SM X-RACE SCANDINAVIA BLACK 2004 E2	00H00033V483
4	SENDA SM X-RACE ESPAÑA NARANJA 2004 E2 SENDA SM X-RACE FRANCE ORANGE 2004 E2 SENDA SM X-RACE ENGLAND ORANGE 2004 E2 SENDA SM X-RACE ITALY ORANGE 2004 E2	00H00033E431 00H00033F431 00H00033G431 00H00033I431
5	SENDA SM X-RACE AUSTRIA ORANGE 2004 E2 SENDA SM X-RACE BENELUX ORANGE 2004 E2	00H00033U431 00H00033X431
6	SENDA SM X-RACE SCANDINAVIA ORANGE 2004 E2	00H00033V433
7	SENDA SM X-RACE FRANCE BLACK/GREY 2004 E2	00H00033F484
8	SENDA SM X-RACE SCANDINAVIA BLACK/GREY 2005 E2	00H00041V582

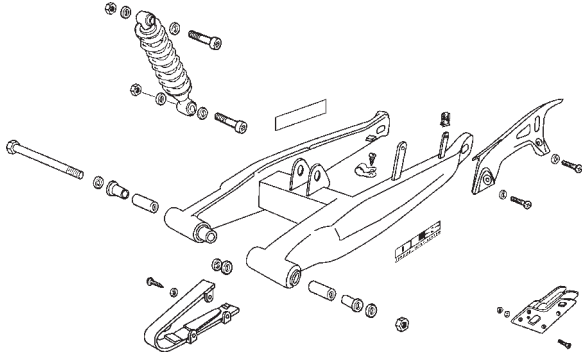
LAMINA / STAMPA / DIAGRAM / BILD / FEUILLE - 1



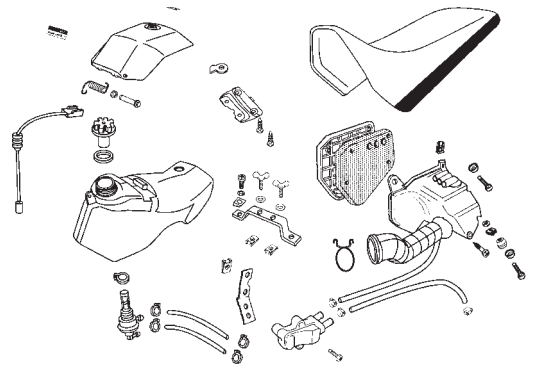
LAMINA / STAMPA / DIAGRAM / BILD / FEUILLE - 2



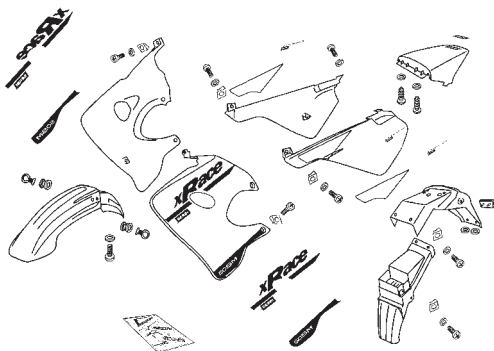
LAMINA / STAMPA / DIAGRAM / BILD / FEUILLE - 3



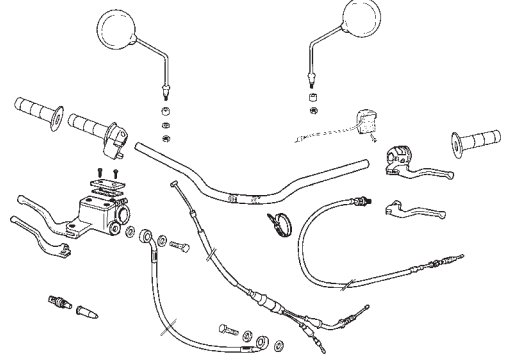
LAMINA / STAMPA / DIAGRAM / BILD / FEUILLE - 4



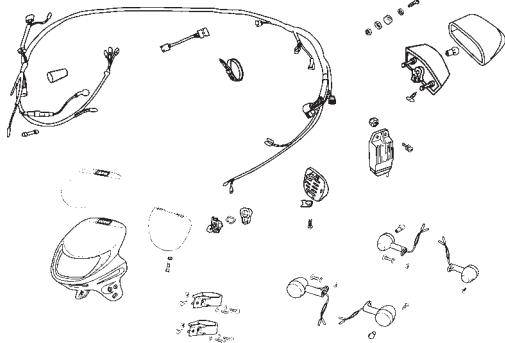
LAMINA / STAMPA / DIAGRAM / BILD / FEUILLE - 5



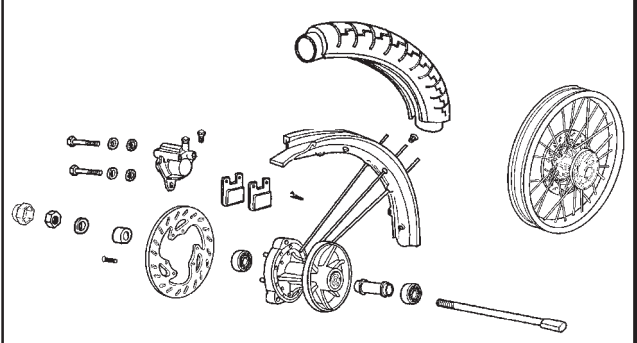
LAMINA / STAMPA / DIAGRAM / BILD / FEUILLE - 6



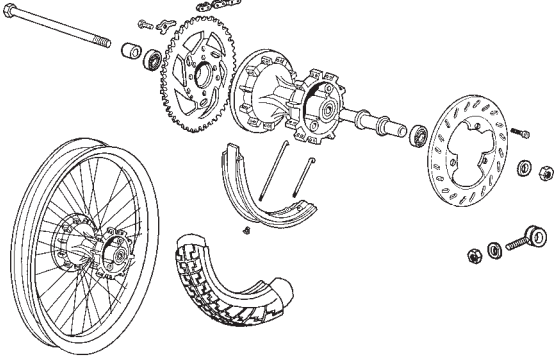
LAMINA / STAMPA / DIAGRAM / BILD / FEUILLE - 7



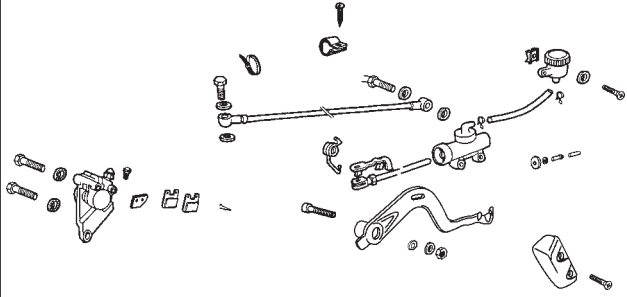
LAMINA / STAMPA / DIAGRAM / BILD / FEUILLE - 8



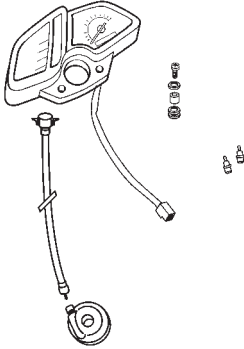
LAMINA / STAMPA / DIAGRAM / BILD / FEUILLE - 9



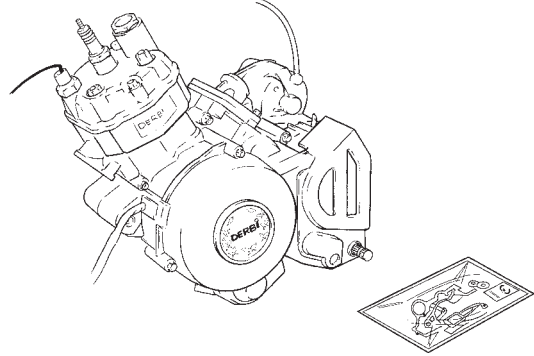
LAMINA / STAMPA / DIAGRAM / BILD / FEUILLE - 10



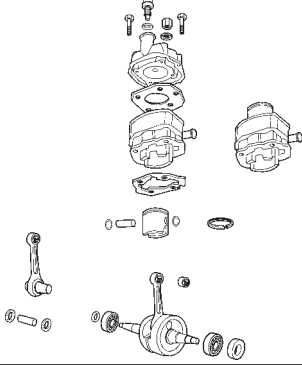
LAMINA / STAMPA / DIAGRAM / BILD / FEUILLE - 11



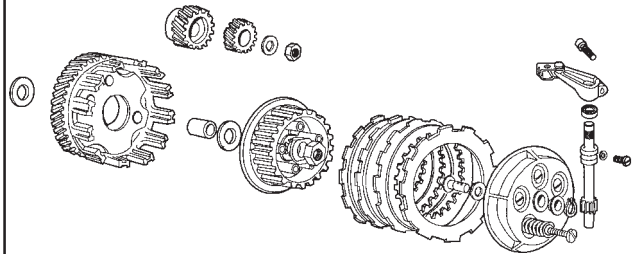
LAMINA / STAMPA / DIAGRAM / BILD / FEUILLE - 12



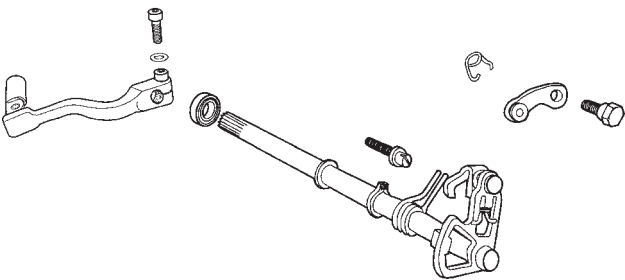
LAMINA / STAMPA / DIAGRAM / BILD / FEUILLE - 13



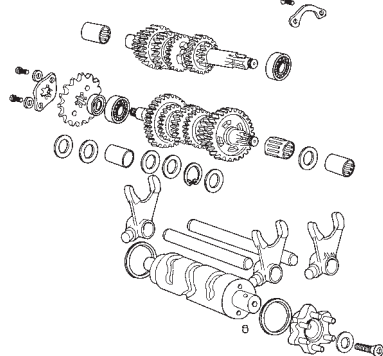
LAMINA / STAMPA / DIAGRAM / BILD / FEUILLE - 14



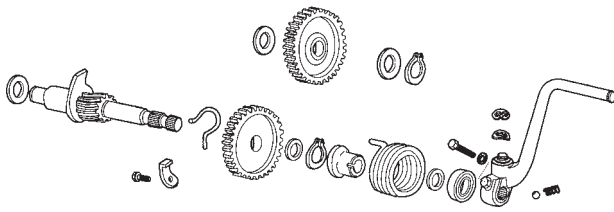
LAMINA / STAMPA / DIAGRAM / BILD / FEUILLE - 15



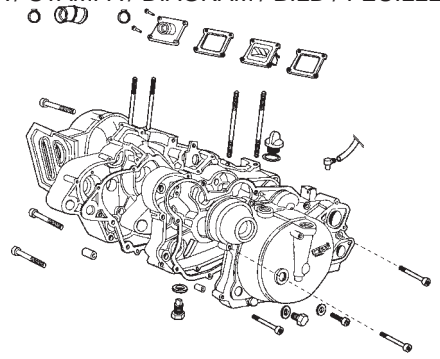
LAMINA / STAMPA / DIAGRAM / BILD / FEUILLE - 16



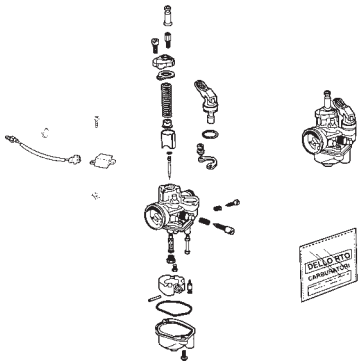
LAMINA / STAMPA / DIAGRAM / BILD / FEUILLE - 17



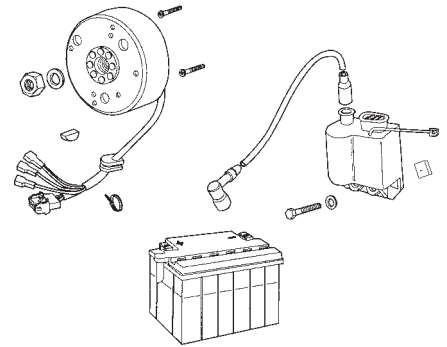
LAMINA / STAMPA / DIAGRAM / BILD / FEUILLE - 18



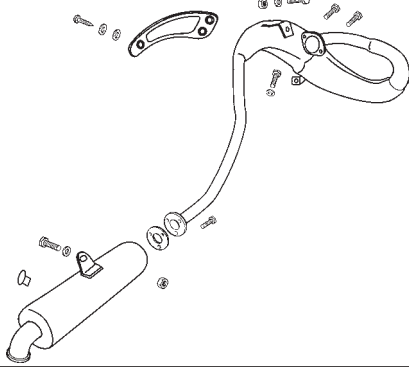
LAMINA / STAMPA / DIAGRAM / BILD / FEUILLE - 19



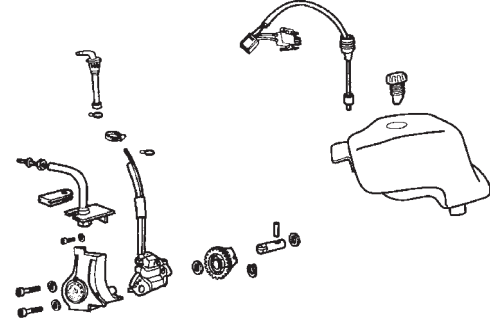
LAMINA / STAMPA / DIAGRAM / BILD / FEUILLE - 20



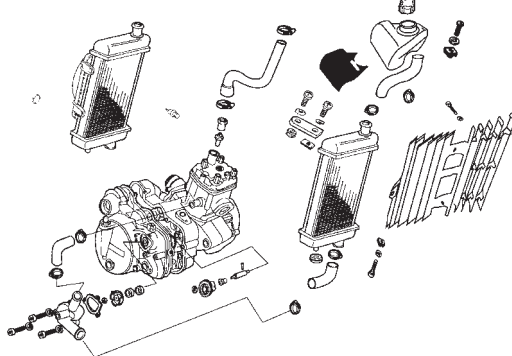
LAMINA / STAMPA / DIAGRAM / BILD / FEUILLE - 21



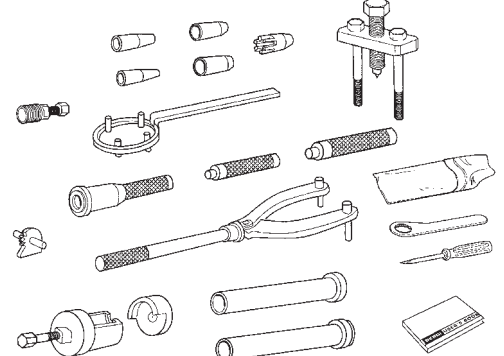
LAMINA / STAMPA / DIAGRAM / BILD / FEUILLE - 22



LAMINA / STAMPA / DIAGRAM / BILD / FEUILLE - 23



LAMINA / STAMPA / DIAGRAM / BILD / FEUILLE - 24



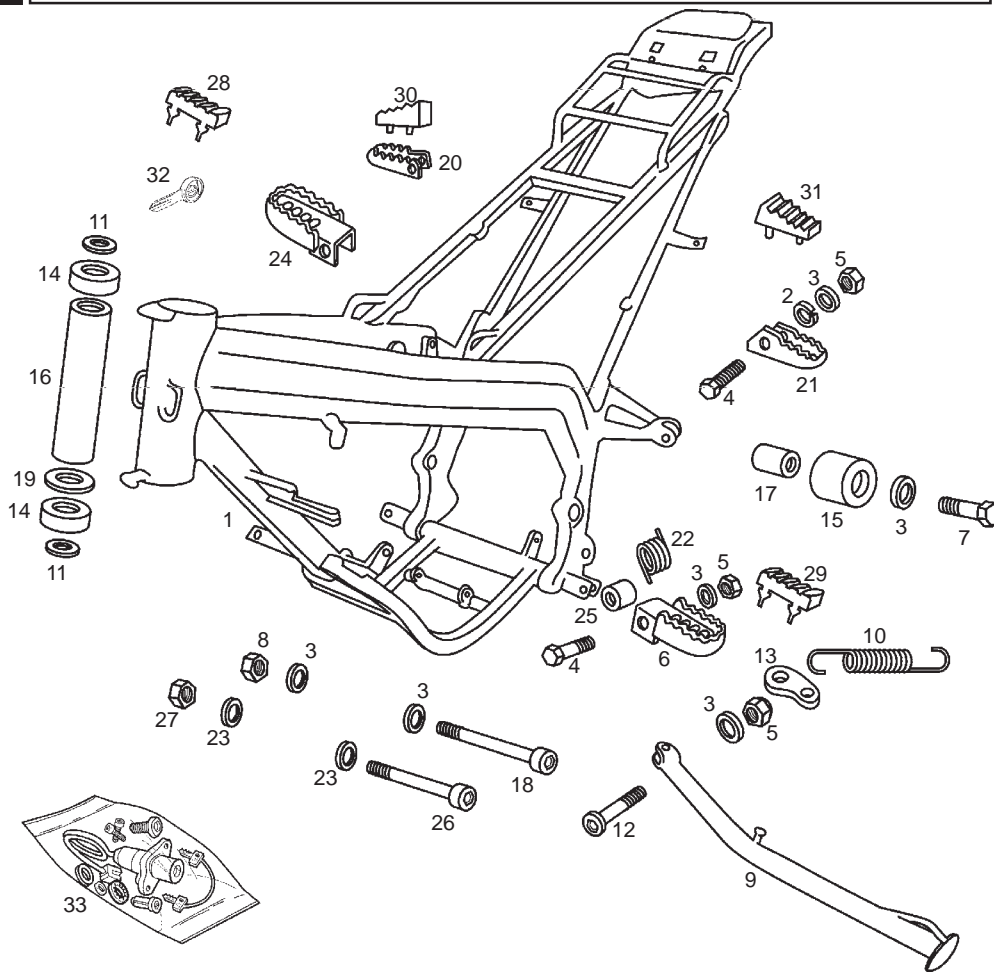


Fig.	Ver.	COD. KOD.	DESCRIPCIÓN DENOMINAZIONE NAME	BEZEICHNUNG DESIGNATION	MOD.	NOTAS NOTES NOTA MITSCHRIFT NOTES
01A		00H01961601	R-CTO CUADRO CON RODAMIENTOS TELAIO FRAME	RAHMEN SOUS ENSEMBLE CADRE	1 2 3 4 5 6 7 8	
02A		00036008000	ARANDELA MUELLE B8 D-137 RONDELLA ENTRETOISE 8,4	SHEIBE D8,4 RONDELLE D8,4	1 2 3 4 5 6 7 8	
03A		00402080001	ARAND.PLANA MECANIZ.D.8.DIN125 RONDELLA PIATTA D8 MACHINED FLAT WASHER D8 DIN-12	SCHEIBE ROND. PLATE MECANISEE	1 2 3 4 5 6 7 8	
04A		00022084021	TOR. C/EXAG. 8M125X40 8.8/D-931 VITE TESTA ESAGONALE 8 X 40 HEX. HEAD SCREW 8 X 40	INBUSSCHRAUBE VIS T. CREUSE	1 2 3 4 5 6 7 8	
05A		00023108000	TCA.AUTOBLOC. 8M125.DIN-985.8 DADO AUTOBLOCCANTE 8M125 SELF-LOCKING NUT M8	MUTTER SELBSTS ECROU INDESSERABLE 8M125.DI	1 2 3 4 5 6 7 8	
06A		00H02201312	SCTO.ESTR.IZ PILOTO ZINC.BL. APOG. SIN. LEFT FOOTREST	FUSSRASTER LINKS REPOSE PIED GAUCHE	1 2 3 4 5 6 7 8	
07A		00022084521	TOR.C/EXAG. 8M125X45.DIN- VITE TESTA ESAGONALE 8M125X45. HEX.HEAD SCREW 8M125X45	INBUSSCHRAUBE VIS T. CREUSE	1 2 3 4 5 6 7 8	
08A		00262080022	TCA.AUTOBLOC. 8M125.DIN-985.10 DADO AUTOBLOCCANTE 8M125.DIN-9 SELF-LOCKING NUT 8M125	MUTTER SELBSTS8M125 ECROU INDESSERABLE	1 2 3 4 5 6 7 8	
09A		00H00820011	SCTO PATA CABALLETE SM ZAMPA CAVALETTO SIDE STAN SUB-ASSY	SEITENSTANDER BEQUILLE LATERALE	1 2 3 4 5 6 7 8	
10A		00H00803082	MUELLE PATA CABALL.GPR-50 MOLLA ZAMPA CAVALETTO SIDE STAND SPRING	FEDER GESTELLFUSS AUSSEN RESSORT DE BEQUILLE	1 2 3 4 5 6 7 8	

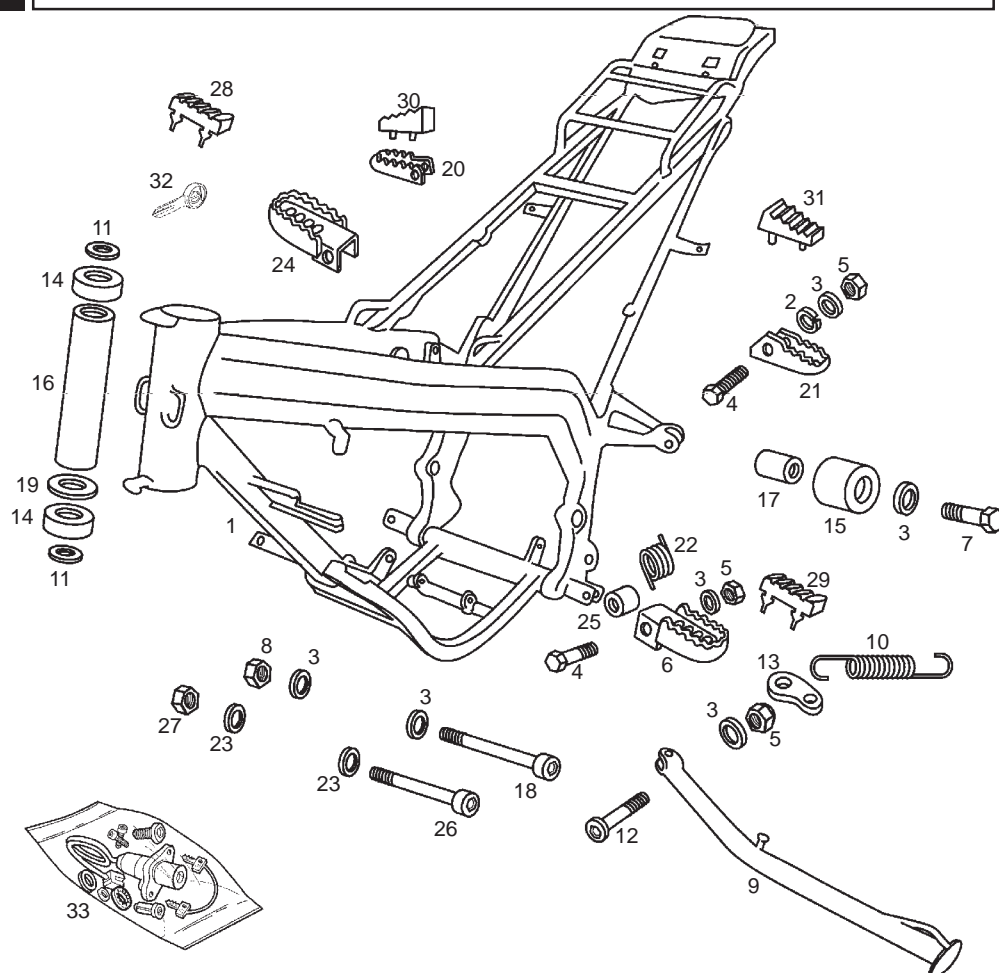


Fig.	Ver.	COD. KOD.	DESCRIPCIÓN DENOMINAZIONE NAME	BEZEICHNUNG DESIGNATION	MOD.	NOTAS NOTES NOTA MITSCHRIFT NOTES
11A		00008902630	ARAND.TAPON TUBO PNA.COYOTE. RONDELLA TAPPO FORCELLA WASHER, FORK TUBE CAP	DICHRING RONDELLE	1 2 3 4 5 6 7 8	
12A		00H00805072	TOR. FIJ. PATA CABALL. VITE FISSAGGIO ZAMPA CAVALLET SIDE STAND LEG SECURING SCREW	BEFESTIGUNGSSCHARAUBE STND. VIS FIXATION BEQUILLE	1 2 3 4 5 6 7 8	
13A		00H00800422	PLACA RETORNO CABALLETE GPR-75 PIASTRINA RITORNO CAVALLETTO G SPRING KIK-STAND SUPPORT	PLATTE F. GESTELLRUCKFUHRU SUPPORT RESSORT DE BEQUILLE	1 2 3 4 5 6 7 8	
14A		00000056205	COJINETE.SKF6205.25.52.15.2RS CUSCINETTO BEARING SKF.6205.25.52.15	LAGER SKF.6205.25.52.15 COUSSINET SKF. 6205. 25. 52	1 2 3 4 5 6 7 8	
15A		00H01801771	RODILLO TENSOR CADENA RULLO TENSORE CATENA CHAIN SUPPORTY GUIDE	ROLLE ROULETTE GUIDE CHAINE	1 2 3 4 5 6 7 8	
16A		00H06301401	TUBO SEP.RDMTO.DIRECC. TUBO SEPARAZIONE CUSCINETTO ST STEERING BEARING SEPARATOR TUB	DISTANZROHR LENKUNGLAGER TUBE SEPARATION ROULEMENT D	1 2 3 4 5 6 7 8	
17A		00002518790	CASQ.GUIA CAD.C4/C7/RD/FD/FDS. GHIERA GUIDA CATENA C4/C7/RD/F SOCKET CHAIN GUIDE	DISTANZ ENTRETOISE GUIDE CHAINE	1 2 3 4 5 6 7 8	
18A		00H02500272	TOR.FIJ.INF.MOTOR.ALL.8M125X90 VITE FISSAGGIO INFERIORE MOTOR BOLT, CRANKCASE 8MM1.25X90.	INBUSSCHRAUBE MOTORBEFEST. VIS FIXATION MOTEUR M8	1 2 3 4 5 6 7 8	
19A		00H06500451	ÉARAND.COJIN.TUBO DIREC.GPR RONDELLA BRONZINA TUBO STERZO STEERING TUBE BEARING WASHER G	STEERING TUBE BEARING WASHER G RONDELLE COUSSINET TUBE DIRECT	1 2 3 4 5 6 7 8	
20A		00D01520096	ESTRIB. DR. PASAJ. ZIRC. PEDANA DESTRA RIGHT FOOT REST	FUSSRASTER RECHTS REPOSE-PIED DROIT	1 2 3 4 5 6 7 8	

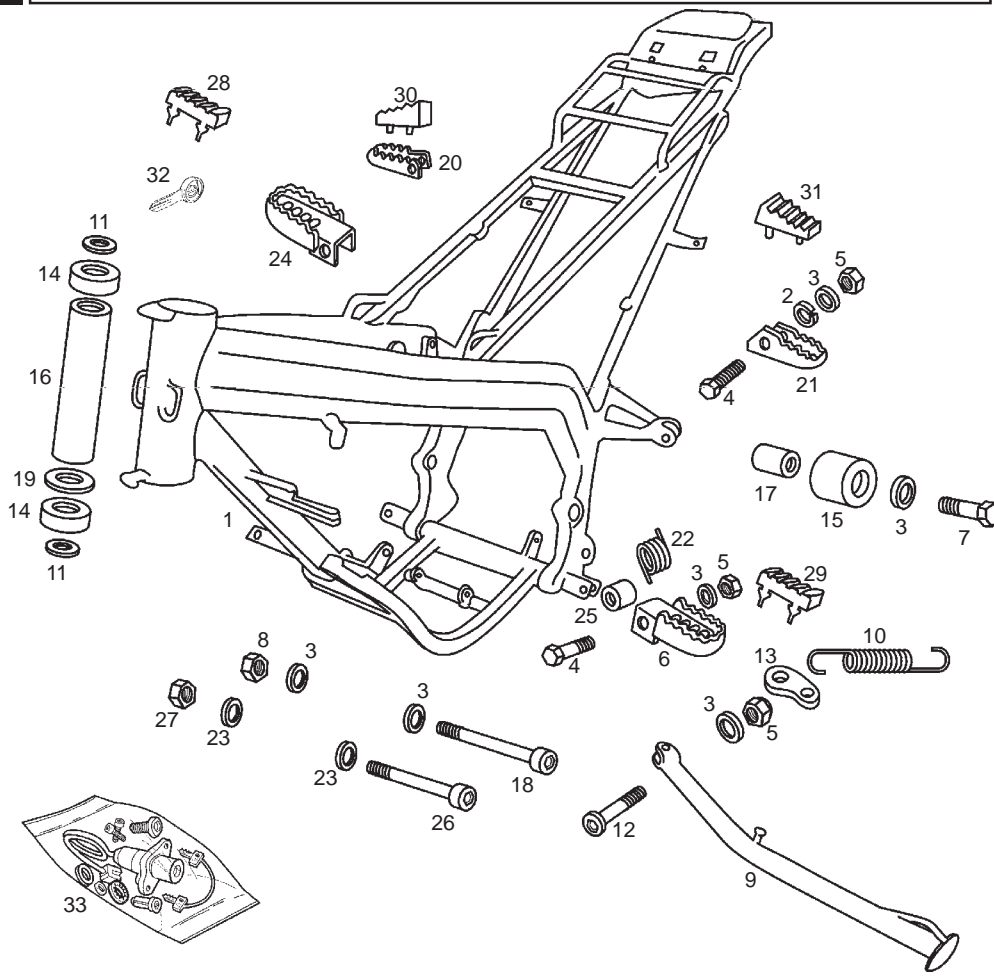


Fig.	Ver.	COD. KOD.	DESCRIPCIÓN DENOMINAZIONE NAME	BEZEICHNUNG DESIGNATION	MOD.	NOTAS NOTES NOTA MITSCHRIFT NOTES
21A		00D01540456	ESTRIB. IZ. PASAJ. ZIRC. PEDANA SINISTRA LEFT FOOT REST	FUSSRASTER LINKS REPOSE-PIED GAUCHE	1 2 3 4 5 6 7 8	
22A		00H04903292	MUELLE FIJACION ESTRIBERA MOLLA FISSAGGIO PREDELLINO PILLION FOOTREST SECURING	FEDER RESSORT	1 2 3 4 5 6 7 8	
23A		00402100001	ARAND.PLANA D.10.D125 RONDELLA PIATTA D.10 MACHINED FLAT WASHER D.10	SCHEIBE D.10 RONDELLE PLATE MECANISEE D.	1 2 3 4 5 6 7 8	
24A		00H02201302	SCTO.ESTRIB.PILOTO ZINC.BL. APPOG.DES. RIGHT FOOTREST	FUSSRASTER RECHTS REPOSE-PIED DROIT	1 2 3 4 5 6 7 8	
25A		00002215152	CASQUILLO FIJ. ESTRIBERA GIUNTO SEAL	DICHTRING JOINT	1 2 3 4 5 6 7 8	
26A		00H03000272	TOR.FIJ.DT.MTO.ALL.10M150X100 VITE FISSAGGIO ANTERIORE MOTOR SCREW	INBUSSCHRAUBE MOTOR BEFEST VIS	1 2 3 4 5 6 7 8	
27A		00262100032	TCA.AUTOBLOC.10M150.DIN-985.10 DADO AUTOBLOCC.10M150.DIN-985. SELF-LOCKING NUT 10M150	MUTTER SELBSTS 10M150 ECROU INDESSERABLE	1 2 3 4 5 6 7 8	
28A		00H01502101	PROTECTOR DR. ESTRIBERA PILOTO PROTEZIONE STAFFA DESTRA RIGHT FOOT REST PROTECTOR	RASTER GUMMI RECHTS PROTECTEUR REPOSE-PIED DROI	1 2 3 4 5 6 7 8	
29A		00H01501501	PROTECTOR IZ. ESTRIBERA PILOTO PEDANA SINISTRA LEFT FOOT REST	FUSSRASTER LINKS REPOSE-PIED GAUCHE	1 2 3 4 5 6 7 8	
30A		00H01503101	PROTECTOR ESTRIBERA DR. PASAJERO PROTEZIONE STAFFA DESTRA RIGHT FOOT REST PROTECTOR	RASTER GUMMI RECHTS PROTECTEUR REPOSE-PIED DROI	1 2 3 4 5 6 7 8	

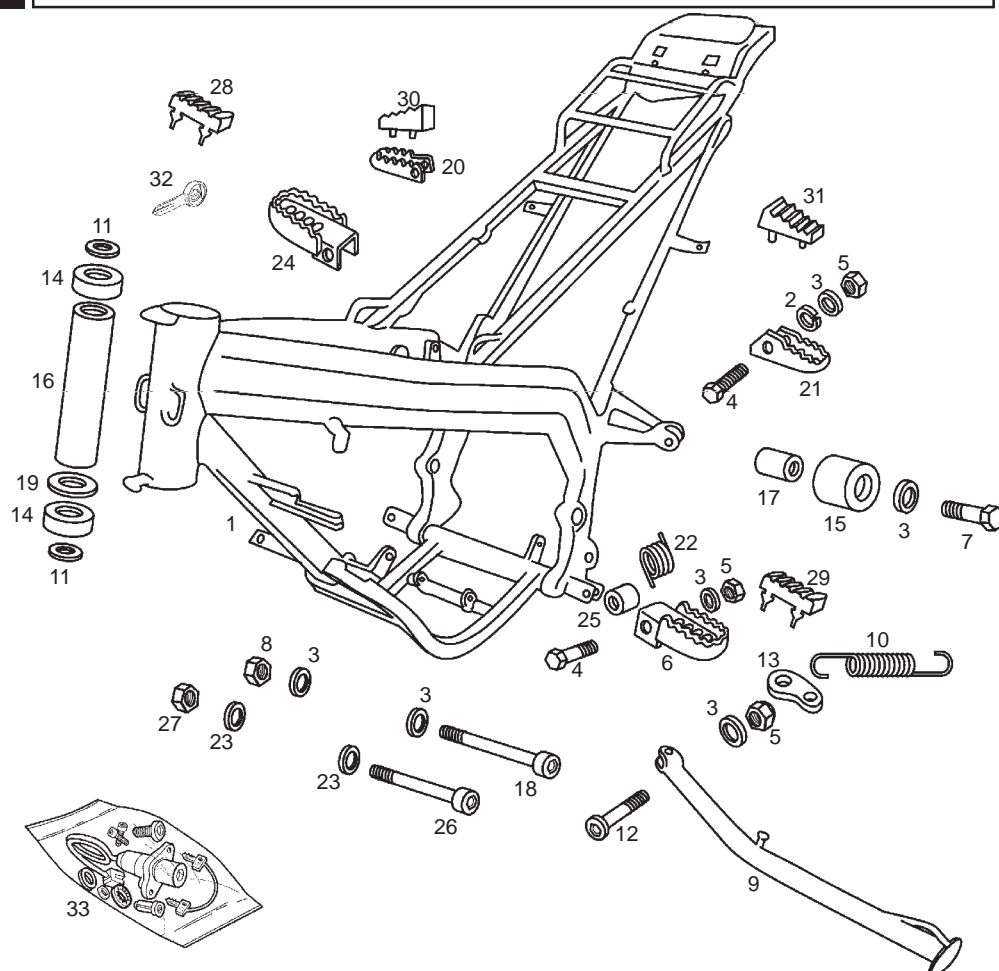
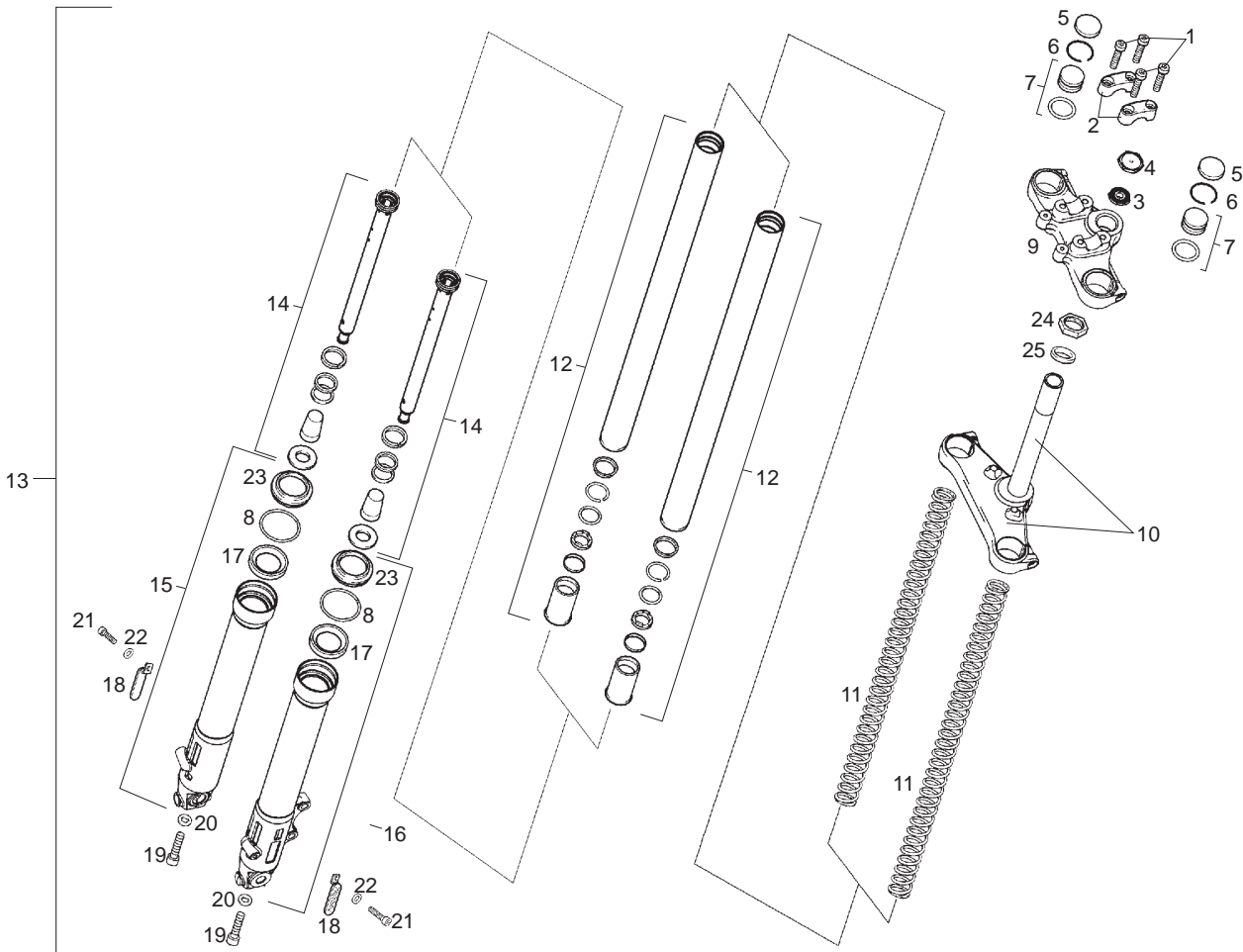


Fig.	Ver.	COD. KOD.	DESCRIPCIÓN DENOMINAZIONE NAME	BEZEICHNUNG DESIGNATION	MOD.	NOTAS NOTES NOTA MITSCHRIFT NOTES
31A		00H01502501	PROTECTOR ESTRIBERA IZ. PASAJERO PROTEZIONE STAFFA SINISTRA FDS LEFT FOOT REST PROTECTOR	RASTER GUMMI LINKS PROTECTEUR REPOSE-PIED GAUC	1 2 3 4 5 6 7 8	

ACCESORIOS OPCIONALES / ACCESORI OPCIONALE / OPTIONAL ACCESSORIES / WERKZEUG / OTILS FOURNIS

32A		00F01811411	R-LLAVE CERRADURAS.P/MEC. CHIAVE LOCK KEYS	SCHLUSSEL CLEF	1 2 3 4 5 6 7 8	
33A		00H05908251	R-CTO. KIT CERRDADURAS SIN LEVAS SERRATURE SENZA LEVA LOCK WITH KEYS WITHOUT LEVER	SCHLOOS-SATZ OHNE VERSCHLUSSEBEL ENS. KIT SERRURES SANS LEVIER	12 3 4 5 6 7 8	



PAIOLI

Fig.	Ver.	COD. KOD.	DESCRIPCIÓN DENOMINAZIONE NAME	BEZEICHNUNG DESIGNATION	MOD.	NOTAS NOTES NOTA MITSCHRIFT NOTES
01A		0000004840	TORNILLO C/ALLEN M8X40 VITE SCREW	SCHRAUBE VIS	1 2 3 4 5 6 7	UNTIL FRAME 4H263767
02A		00H00203741	R-BRIDA FIJ. MANILLAR FLANGIA CLAMP	BEF.-SCHELLE ENTRETOISE	1 2 3 4 5 6 7	UNTIL FRAME 4H263767
03A		00H00202761	R-GUARDAPOLVO DIRECCION PARAPOLVERE SUPL.DUSTGUARD	STAUBFANGER POUSSIÈRE	1 2 3 4 5 6 7	UNTIL FRAME 4H263767
04A		00H00204601	R-TUERCA PLATINA SUPERIOR DADO NUT	MUTTER ECROU	1 2 3 4 5 6 7	UNTIL FRAME 4H263767
05A		00H02003541	R-TAPA TAPON TUBO PIERNA TAPPO RESERVOIR	STOPFEN BOUCHON	1 2 3 4 5 6 7	UNTIL FRAME 4H263767
06A		00H00202501	R-ANILLO TORICO TAPON TUBO PNA. ANELLO TORICO O-RING	O-RING JOINT DE JAUGE	1 2 3 4 5 6 7	UNTIL FRAME 4H263767
07A		00H00205271	R-CTO. TAPON PNA. HORQ. TAPPO GAMBA FORCELLA FORK TUBE CAP	PFROPFEN F. GABELSCHENKEL BOUCHON	1 2 3 4 5 6 7	UNTIL FRAME 4H263767
08A		00H00201701	R-ANILLO RET.ACTE.949424012 ANELLO TORICO O-RING	O-RING JOINT DE JAUGE	1 2 3 4 5 6 7	UNTIL FRAME 4H263767
09A		00H00213092	R-PLATINA SUPERIOR FLANGIA SUP. FORCELLA HANDLEBAR LOCK CLAMP	BUGEL ETRIER FIX. GUIDON	1 2 3 4 5 6 7	UNTIL FRAME 4H263767
10A		00H00211012	R-CTO. TIJA PLATINA FUSTO PIASTRA LOWER TRIPLE CLAMP	SATTELSTANGE PLATINE INF. AVEC PIVOT	1 2 3 4 5 6 7	UNTIL FRAME 4H263767
11A		00H00210171	R-MUELLE HORQUILLA MOLLA FORCELLA FORK SPRING	GABELFEDER RESSORT DE FOURCHE	1 2 3 4 5 6 7	UNTIL FRAME 4H263767

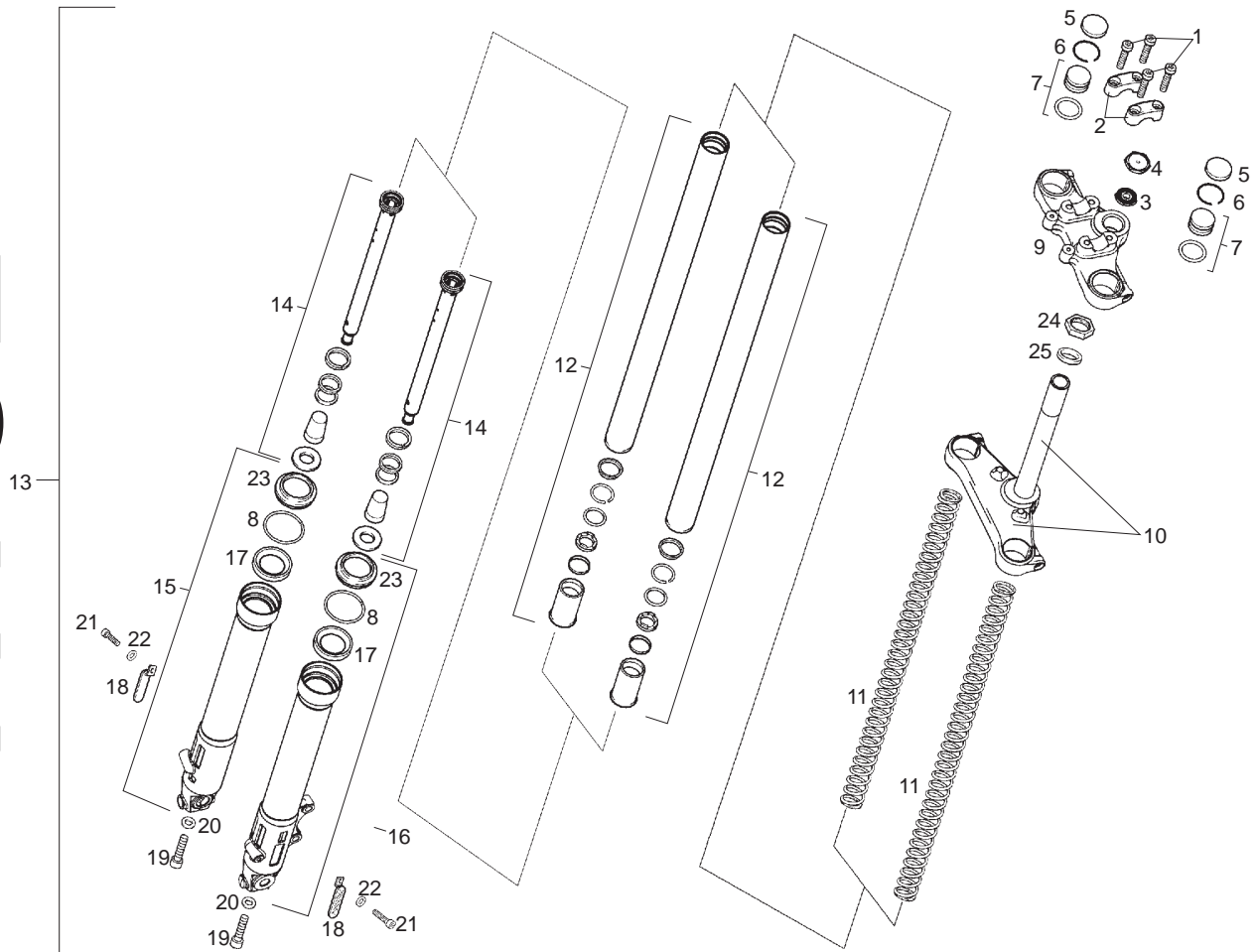
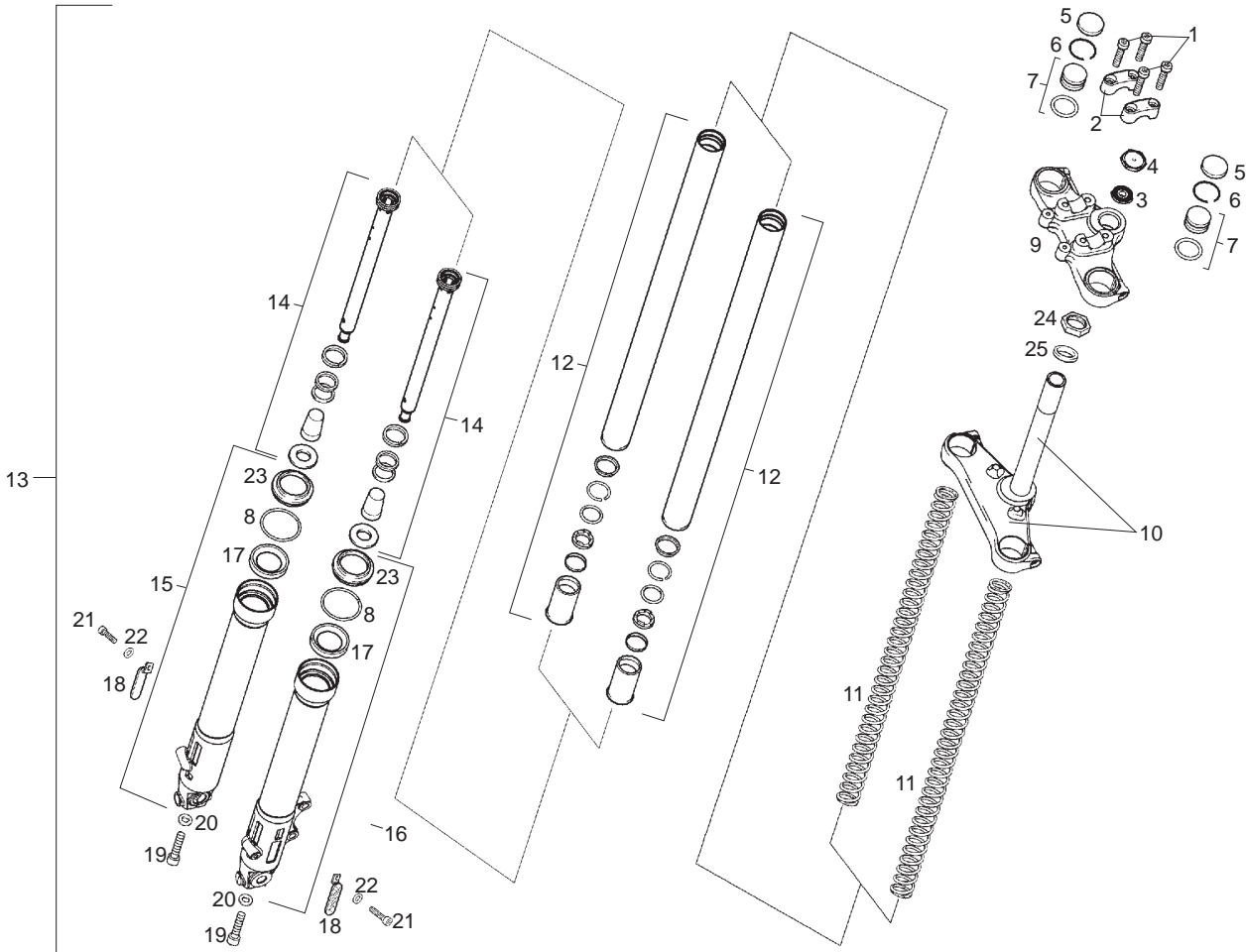


Fig.	Ver.	COD. KOD.	DESCRIPCIÓN DENOMINAZIONE NAME	BEZEICHNUNG DESIGNATION	MOD.	NOTAS NOTES NOTA MITSCHRIFT NOTES
12A		00H02003871	R-CTO. BARRA HORQUILLA BARRA GAMBA FORCELLA FORK BAR	GABELSTANKE BARRÉ DE FOURCHE	1 2 3 4 5 6 7	UNTIL FRAME 4H263767
13A		00H00227003	CTO. HORQUILLA DIRECTRIZ FORCELLA DIRETT FORK ASSY	LENKGABEL FOURCHE DIRITICE	1 2 3 4 5 6 7	UNTIL FRAME 4H263767
14A		00H00202531	R-CTO. TUBO HIDRAULICO TUBO IDRAULICO DAMPER TUBE	HYDRAULIKROHR TUBE HYDRAULIQUE	1 2 3 4 5 6 7	UNTIL FRAME 4H263767
15A		00H02013031	R-PIERNA HORQUILLA DR. GAMBA FORCELLA SI. RH. FORK TUBE LOWER	PFROPFEN F. GABELSCHENKEL RE. BOUCHON DROITE	1 2 3 4 5 6 7	UNTIL FRAME 4H263767
16A		00H02016041	R-PIERNA HORQUILLA IZ. GAMBA FORCELLA DE. LH. FORK TUBE LOWER	PFROPFEN F. GABELSCHENKEL LI. BOUCHON GAUCHE	1 2 3 4 5 6 7	UNTIL FRAME 4H263767
17A		00H00204471	R-RETEN PIERNA HORQ. GIUNTA SEAL	DICHTRING JOINT	1 2 3 4 5 6 7	UNTIL FRAME 4H263767
18A		00H01802081	CAPTAFAROS CATARIFRANGENTE REFLECTOR	TRAHLER CATADIOPTRÉ	1 2 3 4 5 6 7	UNTIL FRAME 4H263767
19A		00004013500	TORNILLO M10X35 VITE SCREW	SCHRAUBE VIS	1 2 3 4 5 6 7	UNTIL FRAME 4H263767
20A		00000031100	ARANDELA PLANA D.10 RONDELLA WASHER	SCHEIBE RONDELLE	1 2 3 4 5 6 7	UNTIL FRAME 4H263767
21A		00008061500	TOR C/RED ALLEN 6M100X16 VITE TESTA ALLEN 6M 100X16 ALLEN SCREN 6M100X16	INBUSSCHRAUBE 6M100X16 VIS ALLEN 6M100X16	1 2 3 4 5 6 7	UNTIL FRAME 4H263767
22A		00031106000	ARANDELA PLANA D6 RONDELLA PIATTA D6 MACINED FLAT WASHER D6	SCHEIBE D.6 ROND.PLATE MECANISEE D6	1 2 3 4 5 6 7	UNTIL FRAME 4H263767



PAIOLI

Fig.	Ver.	COD. KOD.	DESCRIPCIÓN DENOMINAZIONE NAME	BEZEICHNUNG DESIGNATION	MOD.	NOTAS NOTES NOTA MITSCHRIFT NOTES
23A		00H00204231	R-GUARDAP.PNA.HORQ.949421044 PARAPOLVERE DUSTGUARD	STAUBFANGER POUSSIÈRE	1 2 3 4 5 6 7	UNTIL FRAME 4H263767
24A		00G00200112	TUERCA FIJACION TIJA DADO NUT	MUTTER ECROU	1 2 3 4 5 6 7	UNTIL FRAME 4H263767
25A		00D00200761	R-GUARDAPOLVO DIRECCION PARAPOLVERE DUSTGUARD	STAUBFANGER POUSSIÈRE	1 2 3 4 5 6 7	UNTIL FRAME 4H263767

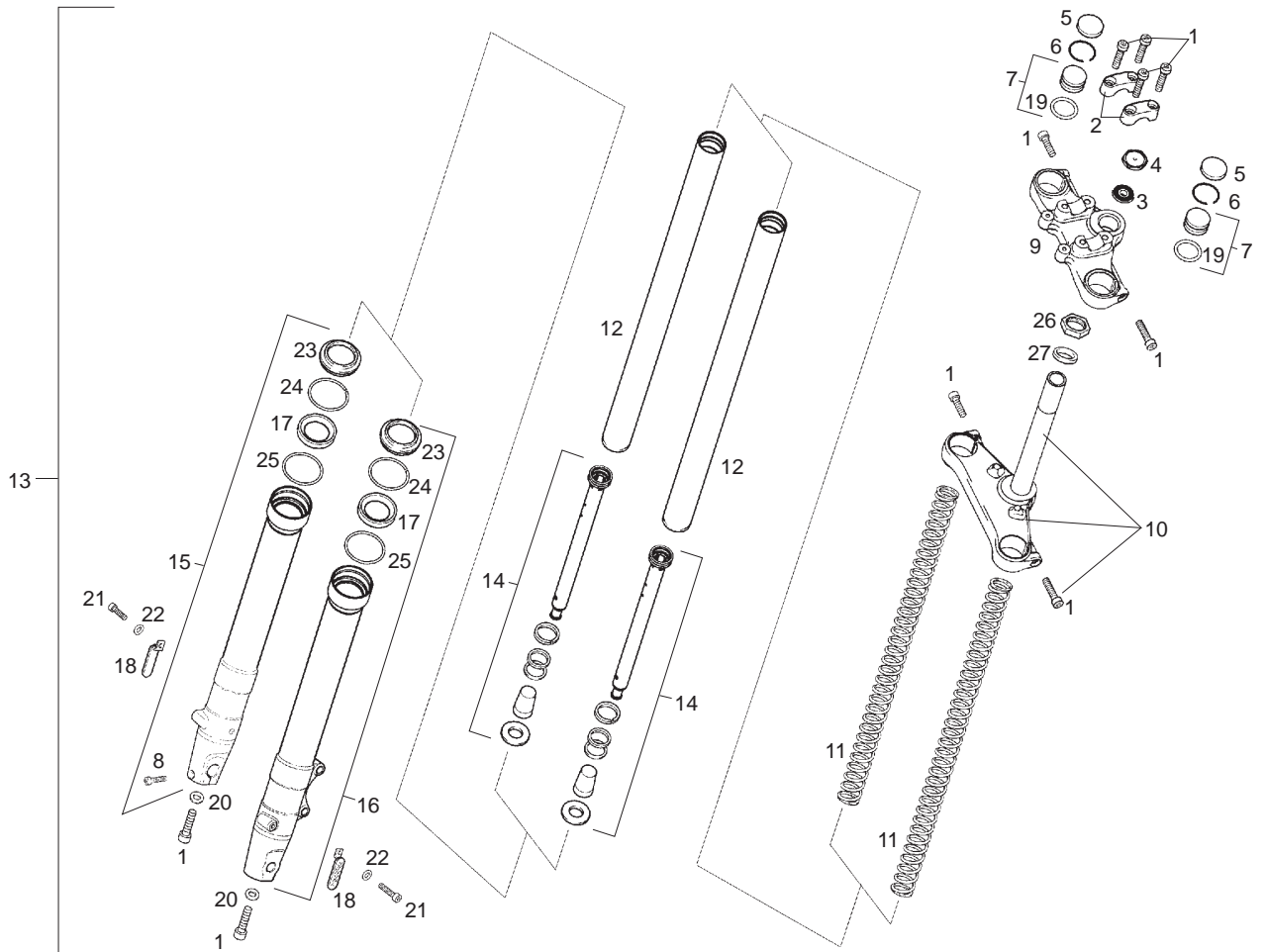
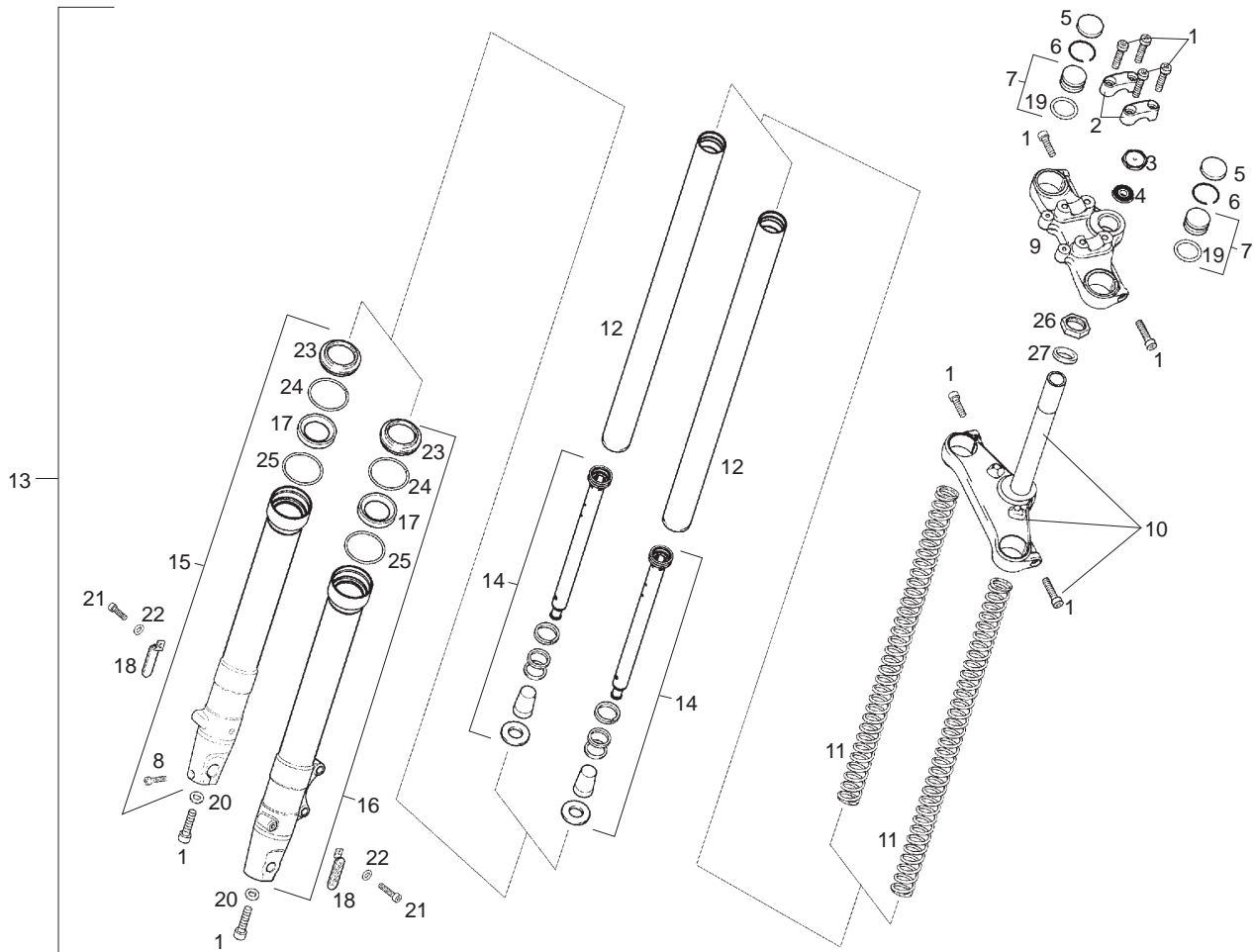


Fig.	Ver.	COD. KOD.	DESCRIPCIÓN DENOMINAZIONE NAME	BEZEICHNUNG DESIGNATION	MOD.	NOTAS NOTES NOTA MITSCHRIFT NOTES
01A		00000004830	TORNILLO M8X30 VITE SCREW	SCHRAUBE VIS	1 2 3 4 5 6 7 8	SINCE FRAME 4H263767
02A		00H00209741	R-PUENTE FIJACION MANILLAR FLANGIA CLAMP	BEF.-SCHELLE ENTRETOISE	1 2 3 4 5 6 7 8	SINCE FRAME 4H263767
03A		00H00202761	R-TAPON GUARDAPOLVO TIJA DIRECCION PARAPOLVERE SUPL.DUSTGUARD	STAUBFANGER POUSSIÈRE	1 2 3 4 5 6 7 8	SINCE FRAME 4H263767
04A		00H00206601	R-TUERCA PLATINA SUPERIOR DADO NUT	MUTTER ECROU	1 2 3 4 5 6 7 8	SINCE FRAME 4H263767
05A		00H02004541	R-TAPA TAPON TUBO PIERNA TAPPO RESERVOIR	STOPFEN BOUCHON	1 2 3 4 5 6 7 8	SINCE FRAME 4H263767
06A		00H00205501	R-ANILLO TORICO TAPON TUBO PNA. ANELLO TORICO O-RING	O-RING JOINT DE JAUGE	1 2 3 4 5 6 7 8	SINCE FRAME 4H263767
07A		00H00209271	R-CTO.TAPON PIERNA HORQ. TAPPO GAMBA FORCELLA FORK TUBE CAP	PFROPFEN F. GABELSCHENKEL BOUCHON	1 2 3 4 5 6 7 8	SINCE FRAME 4H263767
08A		00000004635	TORNILLO M6X35 VITE SCREW	SCHRAUBE VIS	1 2 3 4 5 6 7 8	SINCE FRAME 4H263767
09A		00H00221091	R-PLATINA SUPERIOR FLANGIA SUP. FORCELLA HANDLEBAR LOCK CLAMP	BUGEL ETRIER FIX. GUIDON	1 2 3 4 5 6 7 8	SINCE FRAME 4H263767
10A		00H00220011	R-CTO. TIJA PLATINA FUSTO PIASTRA LOWER TRIPLE CLAMP	SATTELSTANGE PLATINE INF. AVEC PIVOT	1 2 3 4 5 6 7 8	SINCE FRAME 4H263767
11A		00H00220171	R-MUELLE HORQUILLA SM MOLLA FORCELLA FORK SPRING	GABELFEDER RESSORT DE FOURCHE	1 2 3 4 5 6 7 8	SINCE FRAME 4H263767



MARZOCCHI

Fig.	Ver.	COD. KOD.	DESCRIPCIÓN DENOMINAZIONE NAME	BEZEICHNUNG DESIGNATION	MOD.	NOTAS NOTES NOTA MITSCHRIFT NOTES
12A		00H00208191	R-TUBO PRINCIPAL HORQUILLA BARRA GAMBA FORCELLA FORK BAR	GABELSTANKE BARRE DE FOURCHE	1 2 3 4 5 6 7 8	SINCE FRAME 4H263767
13A		00H00238001	CTO HORQUILLA DIRECTRIZ FORCELLA DIRETT FORK ASSY	LENKGABEL FOURCHE DIRITICE	1 2 3 4 5 6 7 8	SINCE FRAME 4H263767
14A		00H00212531	R-CTO TUBO HIDRAULICO TUBO IDRAULICO DAMPER TUBE	HYDRAULIKROHR TUBE HYDRAULIQUE	1 2 3 4 5 6 7 8	SINCE FRAME 4H263767
15A		00H02017031	R-CTO. PIERNA DR HORQUILLA GAMBA FORCELLA SI. RH. FORK TUBE LOWER	PFROPFEN F. GABELSCHENKEL RE. BOUCHON DROITE	1 2 3 4 5 6 7 8	SINCE FRAME 4H263767
16A		00H02027041	R-CTO PIERNA IZQ HORQ. SM X-RACE GAMBA FORCELLA DE. LH. FORK TUBE LOWER	PFROPFEN F. GABELSCHENKEL LI. BOUCHON GAUCHE	1 2 3 4 5 6 7 8	SINCE FRAME 4H263767
17A		00H00206471	R-RETEN PIERNA HORQUILLA GIUNTA SEAL	DICHTRING JOINT	1 2 3 4 5 6 7 8	SINCE FRAME 4H263767
18A		00H01802081	CAPTAFAROS CATARIFRANGENTE REFLECTOR	TRAHLER CATADIOPTRE	1 2 3 4 5 6 7 8	SINCE FRAME 4H263767
19A		00H00202451	R-ARANDELA TAPON TUBO PIERNA RONDELLA WASHER	SCHEIBE RONDELLE	1 2 3 4 5 6 7 8	SINCE FRAME 4H263767
20A		00000031080	ARANDELA PLANA D8 RONDELLA WASHER	SCHEIBE RONDELLE	1 2 3 4 5 6 7 8	SINCE FRAME 4H263767
21A		00008061500	TORNILLO C/RED ALLEN 6M100X16 VITE SCREW	SCHRAUBE VIS	1 2 3 4 5 6 7 8	SINCE FRAME 4H263767
22A		00031106000	ARANDELA PLANA D6 RONDELLA WASHER	SCHEIBE RONDELLE	1 2 3 4 5 6 7 8	SINCE FRAME 4H263767

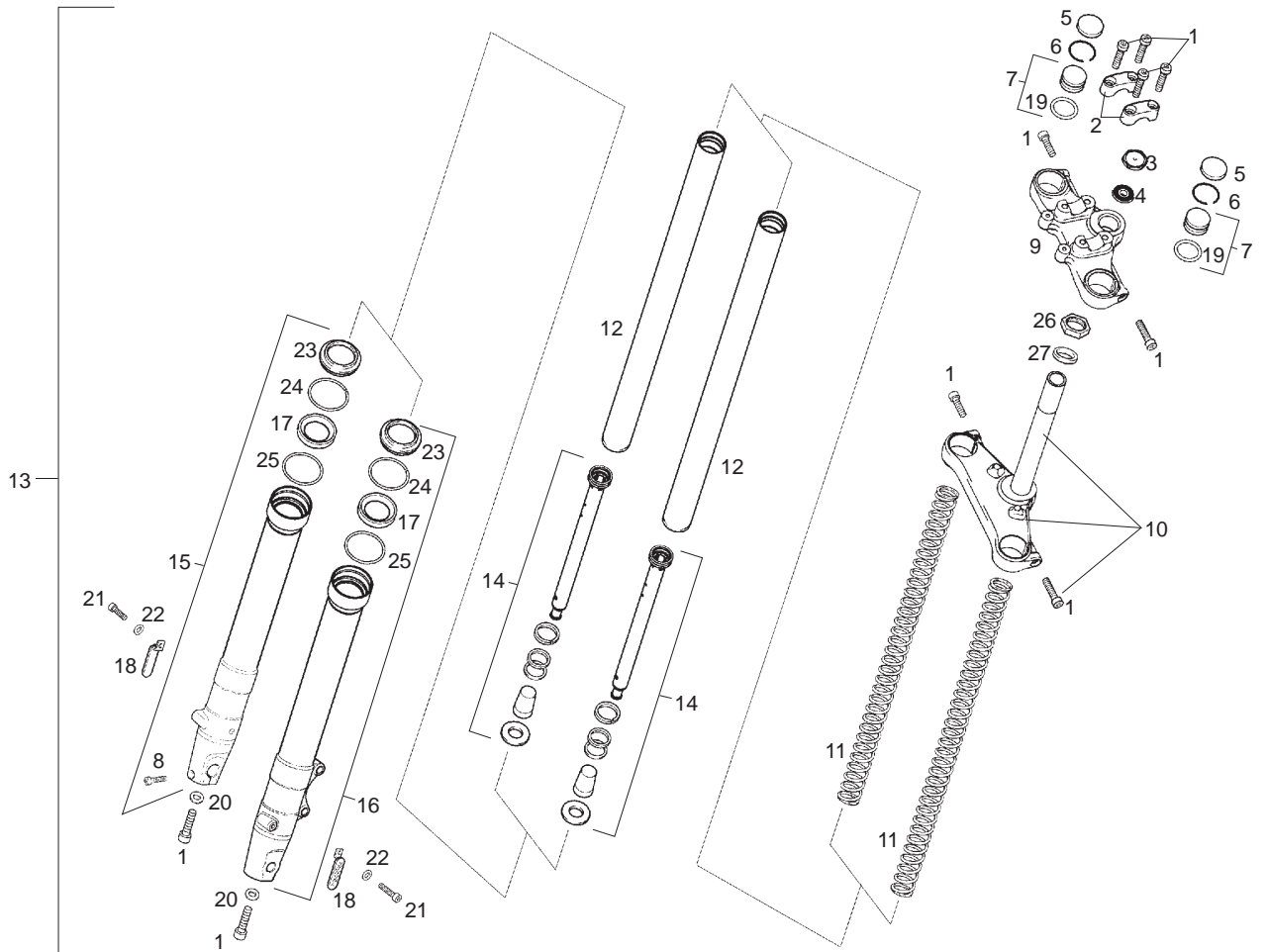


Fig.	Ver.	COD. KOD.	DESCRIPCIÓN DENOMINAZIONE NAME	BEZEICHNUNG DESIGNATION	MOD.	NOTAS NOTES NOTA MITSCHRIFT NOTES
23A		00H00207231	R-GUARDAPOLVO PIERNA HORQUILLA PARAPOLVERE DUSTGUARD	STAUBFANGER POUSSIÈRE	1 2 3 4 5 6 7 8	SINCE FRAME 4H263767
24A		00H00203701	R-ANILLO RETEN ACEITE ANELLO TORICO O-RING	O-RING JOINT DE JAUGE	1 2 3 4 5 6 7 8	SINCE FRAME 4H263767
25A		00H00202441	R-ARANDELA CASQUILLO GUIA PIERNA RONDELLA WASHER	SCHEIBE RONDELLE	1 2 3 4 5 6 7 8	SINCE FRAME 4H263767
26A		00G00200112	TUERCA FIJACION TIJA DADO NUT	MUTTER ECROU	1 2 3 4 5 6 7 8	SINCE FRAME 4H263767
27A		00D00200761	R-GUARDAPOLVO DIRECCION PARAPOLVERE DUSTGUARD	STAUBFANGER POUSSIÈRE	1 2 3 4 5 6 7 8	SINCE FRAME 4H263767

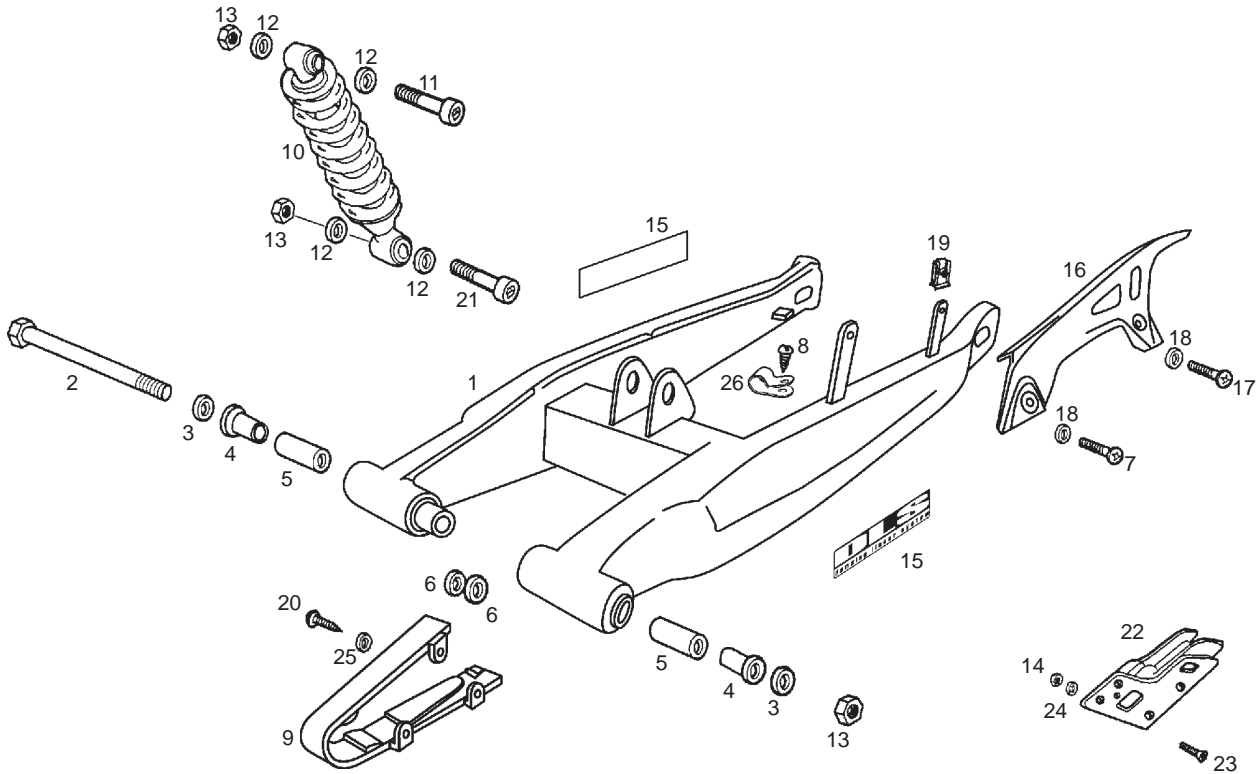


Fig.	Ver.	COD. KOD.	DESCRIPCIÓN DENOMINAZIONE NAME	BEZEICHNUNG DESIGNATION	MOD.	NOTAS NOTES NOTA MITSCHRIFT NOTES
01A		00H00308971	R-SCTO. BASCULANTE SD-RI00 SUBRIBALTABILE SWING ARM SUB-ASSY	SCHWINGENACHSE BRAS OSCILLANT	1 2 3 4 5 6 7 8	
02A		00H01304202	CTO. EJE RDA. TRAS. ASSE RUOTA POST. REAR WHEEL AXLE	HINTERRADACHSE AXE ROUE ARRIERE	1 2 3 4 5 6 7 8	
03A		00003112322	ARAND.EJE RUEDA.12I25X20X2. RONDELLA ASSE RUOTA.12I25X20X2 FRONT WHEEL AXLE WASHER	SHEIBE RADACHSE 12,25X20X2 RONDELLE AXE ROUE 12,25X20X	1 2 3 4 5 6 7 8	
04A		00002503230	CASQ.EJE BASCTE.C-4. GHIERA ASSE RIBALTABILE C-4 SWING ARM BUSHING	BUCHSE ENTRETOISE AXE BRAS OSCIL	1 2 3 4 5 6 7 8	
05A		00H00301401	CASQ.CARTELA MOTOR. GHIERA ORECCHIA MOTORE ENGINE BRACKET BUFFER BUSHING	BUCHSE ENTRETOISE AXE BRAS OSCIL	1 2 3 4 5 6 7 8	
06A		00D01300192	ARAND.EJE RUEDA TRAS. RONDELLA ASSE RUOTA POSTERIORE WHEEL AXLE WASHER	SCHEIBE RONDELLE D12,5X30X2MM	1 2 3 4 5 6 7 8	
07A		00012061000	TOR. C/RED. CRUZ 6 X 12 VITE TESTA CROCE NERA 6 X 12 PHILIPS SCREW 6 X 12	SCHRAUBE.6M100X12.NG.D-798 VIS A TETE RONDE A FENTES C	1 2 3 4 5 6 7 8	
08A		00011041300	TOR. AUTR. C/CRUZ 4,8 X 13 VITE AUTOAV. 4,8 X 13 SELF-THREADING HEAD 4,8 X 13	SCHRAUBE 4,8X13 VIS	1 2 3 4 5 6 7 8	
09A		00H01803331	PLACA ROZAMTO.CADENA. PIASTRAATTRITO CATENA CHAIN FORCHIN PLATE/FLARGE	KETTEN-REIBPLATTE PLAQUE GLISSEMENT CHAINE	1 2 3 4 5 6 7 8	
10A		00H01508191	CTO.AMORTIGUADOR AMMORTIZZATORE SHOCK ABSORBER.	FEDERBEIN AMORTISSEUR	1 2 3 4 5 6 7 8	
11A		00H00303892	TOR.FIJ. SUP. AMORTIG. VITE FISSAGGIO AMMORTIZZATORE SHOCK ABSORBER SEC. SCREW	STOSSDMPFER BEFESTIGUNGSM VIS FIXATION AMORTISSEUR 12	1 2 3 4 5 6 7 8	

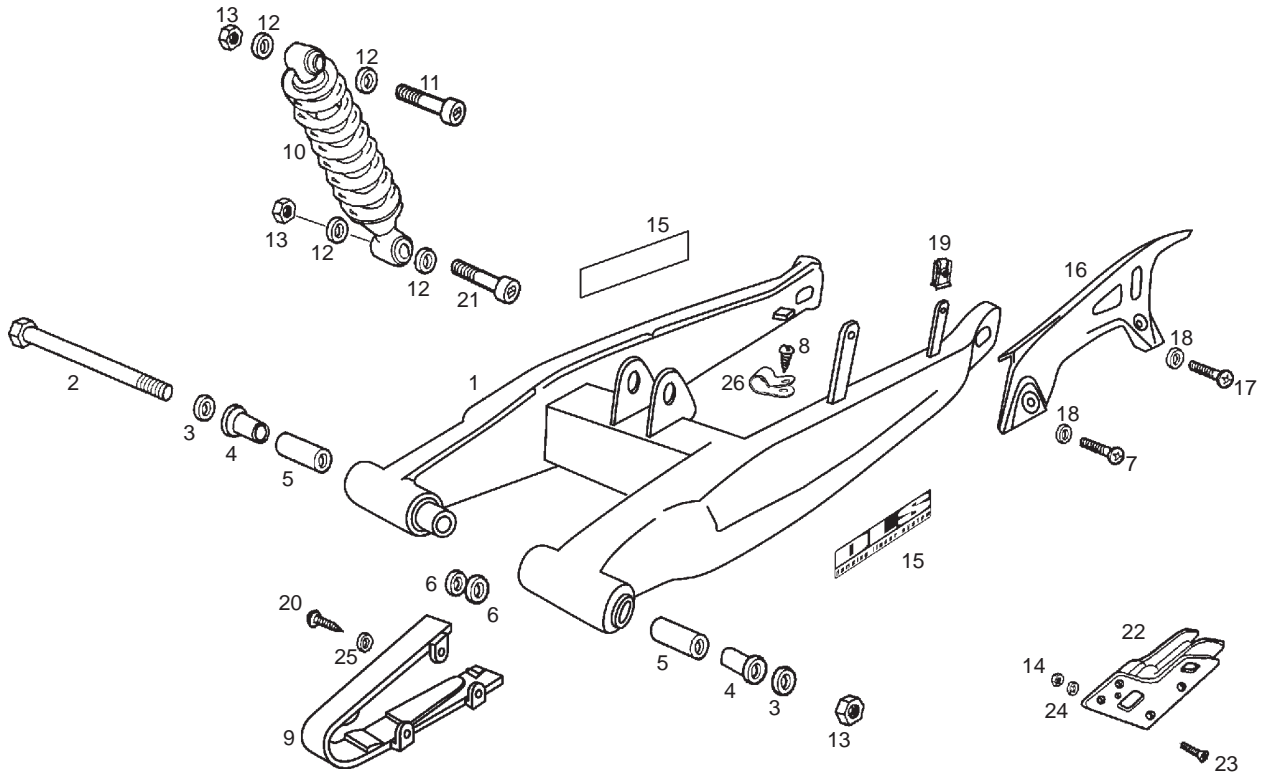


Fig.	Ver.	COD. KOD.	DESCRIPCIÓN DENOMINAZIONE NAME	BEZEICHUNG DESIGNATION	MOD.	NOTAS NOTES NOTA MITSCHRIFT NOTES
12A		00003115422	ARAND.FIJ.AMORTGD.ANTORCHA. RONDELLA FISSAGGIO AMMORTIZZAT SWING ARM LOCK WASHER	SCHWINGENACHSE BRAS OSCILLANT	1 2 3 4 5 6 7 8	
13A		00023112000	TUERCA AUTOBLOCANTE 12M175 DADO NUT	MUTTER ECROU	1 2 3 4 5 6 7 8	
14A		00000023060	TUERCA AUTOBLOCANTE 6M100 DADO NUT	MUTTER ECROU	1 2 3 4 5 6 7 8	
15A		00H00309331	CALCA BASCULANTE DECALCO RIBALTABILE DECAL	SCHRIFTZUG ADHESIF	1 2 3 4 5 6 7 8	
16A		00H01508181	CUBRE CADENAS COPRICATENA CHAIN COVER	KETTENSCHUTZ COUVRE CHAINE	1 2 3 4 5 6 7 8	
17A		00012161600	TOR.C/CRUZ.NG.6M100X16.D7985-Z VITE TESTA CROCE NERA PHILIPS SCREW	SCHRAUBE 6M100X16 D-7985 VIS T.CROIX NOIR 6M100X16 D	1 2 3 4 5 6 7 8	
18A		00D01200171	ARAND.EJE LEVA-FIJ.CUBRECAD. RONDELLA WASHER	SCHEIBE RONDELLE	1 2 3 4 5 6 7 8	
19A		00D01501371	TCA.FIJ.CUBRECAD.212827 DADO FISSAGGIO NUT	MUTTER ECROU	1 2 3 4 5 6 7 8	
20A		00011141300	TOR.AUT.C/CR.NG.4.8X13.D-7981B VITE AUTOFIETTANTE TESTA CROC SCREW, SELF TAPPING 4.8MM13	SCHRAUBE BOULON	1 2 3 4 5 6 7 8	
21A		00H00300912	TORN. INF. AMORT. 12 X 45 VITE FISSAGGIO AMORT. SHOCK ABSORBER SEC. SCREW	SOTSSDMPFER BEFESTIGUNGSM VIS FIXATION AMORTISSEUR	1 2 3 4 5 6 7 8	
22A		00H01502871	CTO.GUIA CADENA SENDA X-TR/DRD GUIDA CATENA CHAIN GUIDE	GLEITBAHN GUIDE CHAINE	1 2 3 4 5 6 7 8	

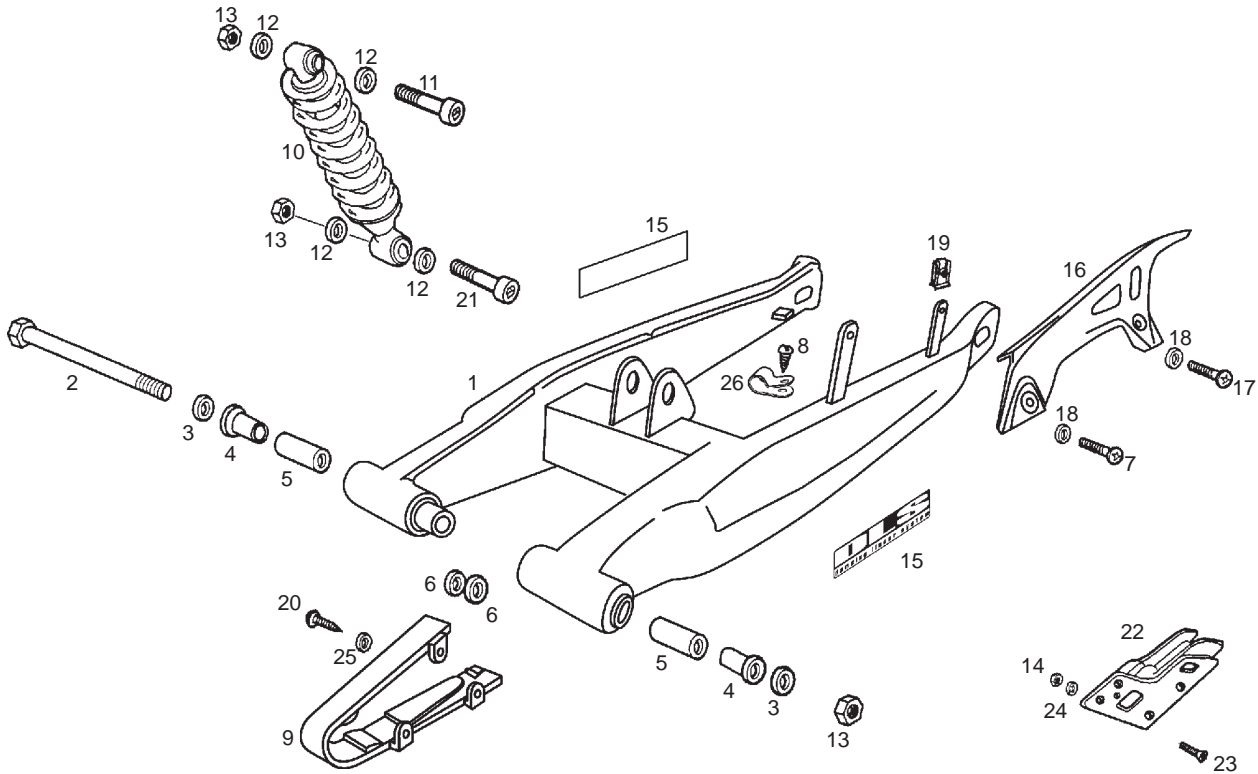


Fig.	Ver.	COD. KOD.	DESCRIPCIÓN DENOMINAZIONE NAME	BEZEICHNUNG DESIGNATION	MOD.	NOTAS NOTES NOTA MITSCHRIFT NOTES
23A		00012061000	TORNILLO C/RED.CRUZ NG 6M100X10 VITE SCREW	SCHRAUBE VIS	1 2 3 4 5 6 7 8	
24A		00000031060	ARAND.PLANA MECANIZ.D.6.DIN125 RONDELLA PIATTA D6 MACHINED FLAT WASHER D6 DIN-12	SCHEIBE D.6 ROND. PLATE MECANISEE D6DIN	1 2 3 4 5 6 7 8	
25A		00000031050	ARAND.PLANA MEC.D.5.DIN125-B RONDELLA PIATTA D5 MACHINED FLAT WASHER D5	SCHEIBE D.5DIN-125 ROND.PLATE MECANISEE D.5.DI	1 2 3 4 5 6 7 8	
26A		00H01501811	BRIDA FIJ. CABLE FR. TR. FLANGIA CLAMP	BEF.-SCHELLE ENTRETOISE	1 2 3 4 5 6 7 8	

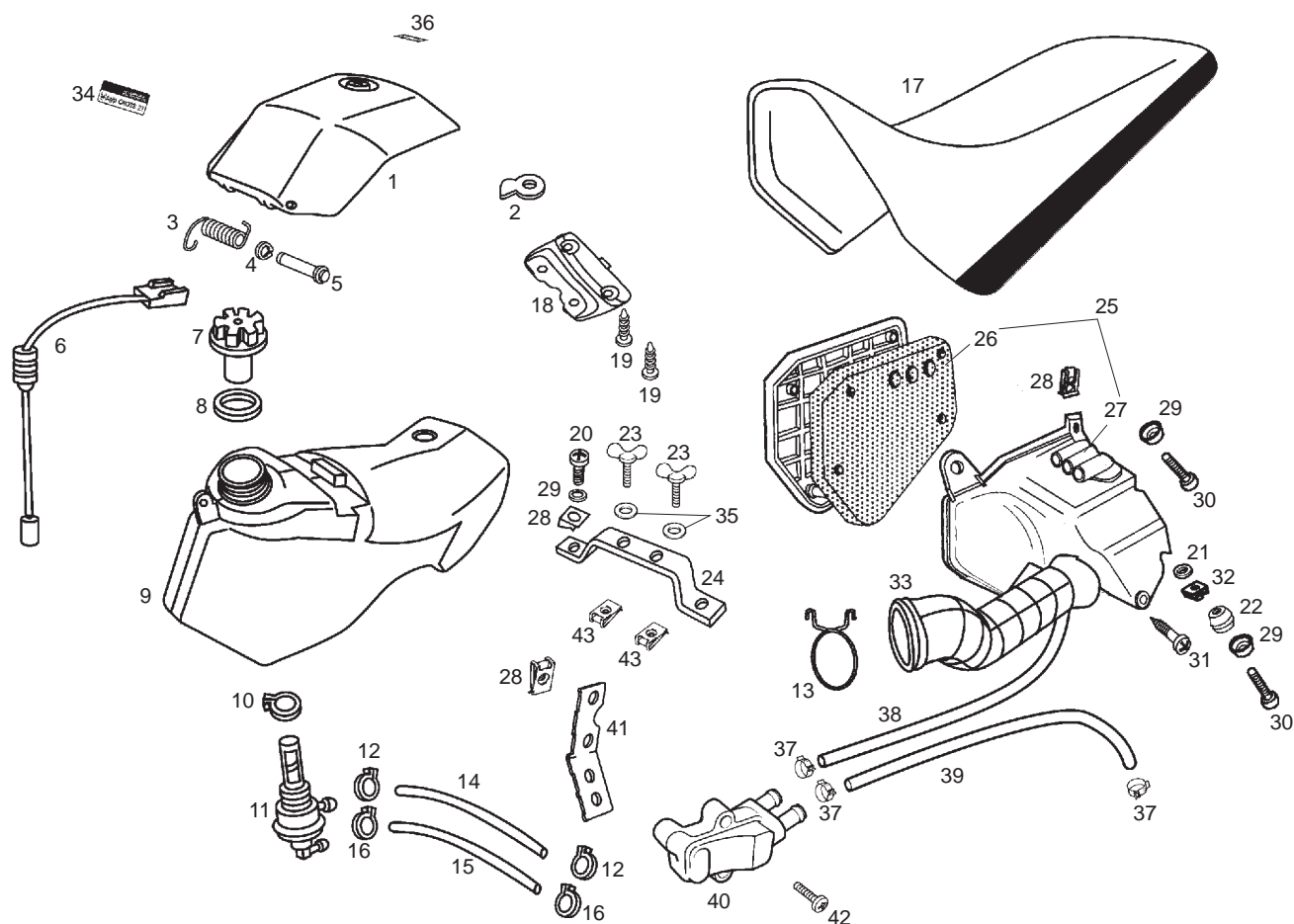


Fig.	Ver.	COD. KOD.	DESCRIPCIÓN DENOMINAZIONE NAME	BEZEICHUNG DESIGNATION	MOD.	NOTAS NOTES NOTA MITSCHRIFT NOTES
01A		00H00404684	TAPA SUPERIOR DEPOSITO SUBCOMP.CARCASSA SUP.SERB. TOP TANK FRAME	TANKKLAPPE COUVERCLE DE RESERVOIR	1 2 3 7 8	
01B		00H00405682	TAPA SUPERIOR DEPOSITO SUBCOMP.CARCASSA SUP.SERB. TOP TANK FRAME	TANKKLAPPE COUVERCLE DE RESERVOIR	4 5 6	
02A		00H00604141	PALANCA CIERRE LEVA LEVER	SCHLOSS-VERSCHLUSSHEBEL LEVIER FERMETURE SELLE	1 2 3 4 5 6 7 8	
03A		00H06303762	MUELLE ARTIC.TAPA DEPTO.GASOL. MOLLA ARTIC. COPER. SUP. SERB. SPRING	RITZELFEDER RESSORT	1 2 3 4 5 6 7 8	
04A		00047030400	ANILLO SEG.EJES D.4.DIN-6799. ANELLO SICUREZZA ASSI D.4 PIN SECURING CIRCLIP D4. DIN-6	SICHERHEITSRING AXSE D.4 ANNEAU SECURITE AXE D.4	1 2 3 4 5 6 7 8	
05A		00H06303752	EJE ARTIC.TAPA DEPOS.GASOLINA ASSE ARTIC. COPER.C.SUP.SERB. AXLE	STIFT AXE	1 2 3 4 5 6 7 8	
06A		00H04302181	CTO. NIVEL GASOLINA LIVELLO BENZINA GAS LEVEL SENSOR ASSY.	KRAFTSTOFFSTAND ENSEMBLE FLOTTEUR ESSENCE	1 2 3 4 5 6 7 8	
07A		00F00400131	CTO. TAPON DEPTO. GASOLINA V. BOX TAPPO SERBATOIO BENZINA FUEL TANK CAP ASSY	FUEL TANK CAP ASSY ENS. BOUCHON RESERV. ESSENCE V.B	1 2 3 4 5 6 7 8	
08A		00F00400771	R-ARAND. TAPON DEPOSITO RONDELLA TAPPO SERBATOIO FUEL TANK CAP WASHER	SCHEIBE F.TANKDECKEL R-RONDELLE BOUCHON RESERVOI	1 2 3 4 5 6 7 8	
09A		00H00406011	DEPOSITO.GASOLINA SERBATOIO BENZINA FUEL TANK	BENZINTANK RESERVOIR ESSENCE	1 2 3 4 5 6 7 8	

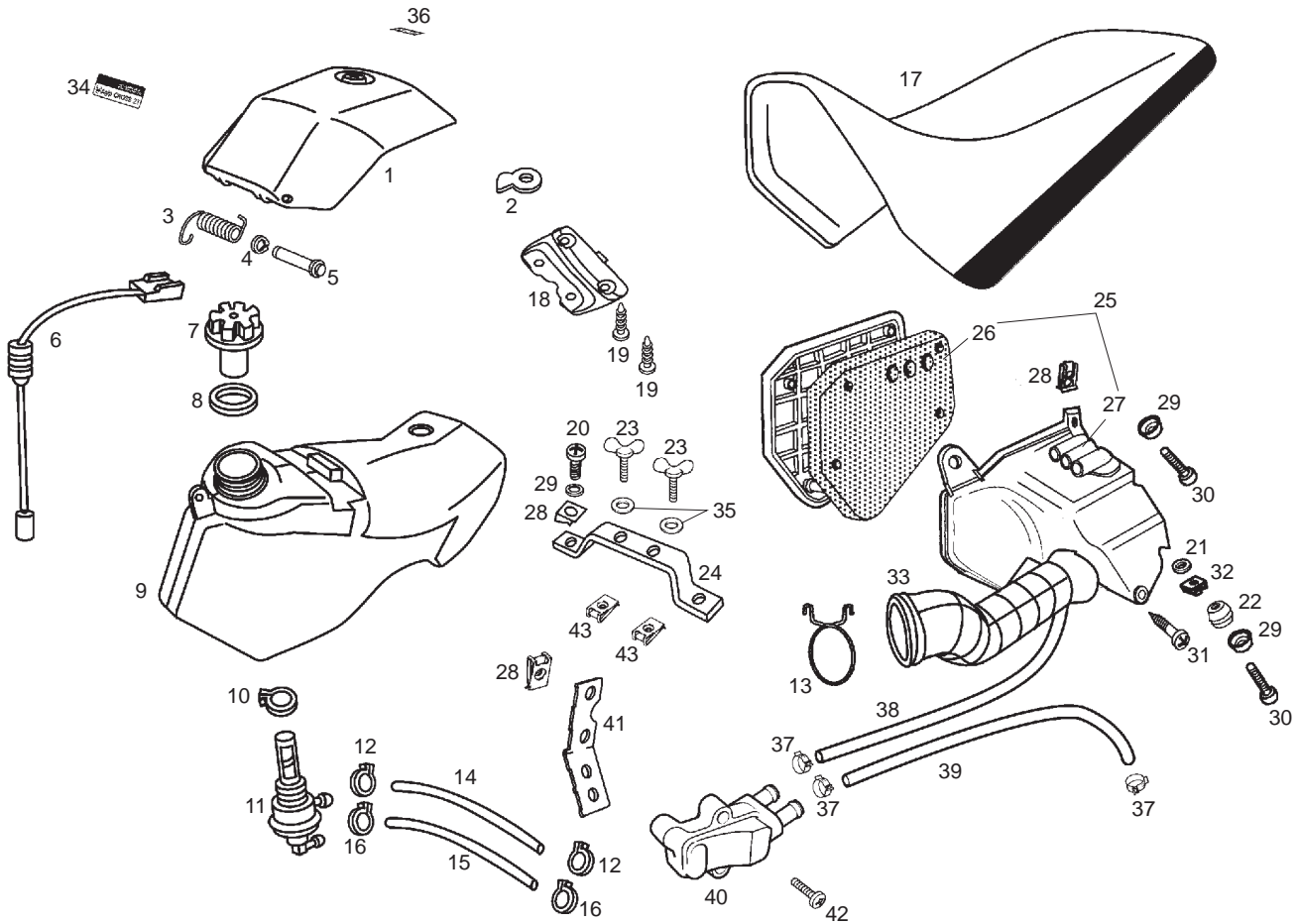


Fig.	Ver.	COD. KOD.	DESCRIPCIÓN DENOMINAZIONE NAME	BEZEICHNUNG DESIGNATION	MOD.	NOTAS NOTES NOTA MITSCHRIFT NOTES
10A		00G00400501	ABRAZ.FIJ.GRIFO.16-25 FASCETTA FISSAGGIO RUBINETTO FUEL COCK SECURING CLAMP	BEF.-SCHELLE F.HAHN 16-2 BRIDE FIXATION ROBINET.16-2	1 2 3 4 5 6 7 8	
11A		00G00400181	CTO GRIFO GASOLINA RUBINETTO BENZINA FUEL COCK ASSY	KRAFTSTOFFHAHN UNTERDRUCK ENSEMBLE ROBINET ESSENCE	1 2 3 4 5 6 7 8	
12A		00D03700131	ABRAZ.ELAST.9,8 FASCETTA ELASTICA TUBO BENZINA FUEL PIPE ELASTIC CLAMP	ELAST.KLAMMER GASLEITUNG CRAMPON ELASTIQUE TUBE ESSE	1 2 3 4 5 6 7 8	
13A		00G03204272	MUELLE TUBO ADMISION ANELLO CARB. AIR INTAKE TUBE	SCHAUCHSCHELLE COLLIER	1 2 3 4 5 6 7 8	
14A		00F00403321	TUBO GASOLINA TUBO BENZINA FUEL PIPE	BENZINSCHLAUCH TUYAU ESSENCE	1 2 3 4 5 6 7 8	
15A		00H06201061	TUBO DEPRESION TUBO DEPRESSIONE DEPRESSION PIPE	BENZINSCHLAUCH TUYAU ESSENCE	1 2 3 4 5 6 7 8	
16A		00F03710131	ABRAZ. ELAST.D.816 FASCETTA ELASTICA D.816 CLAMP	BEF.-SCHELLE ENTRETOISE	1 2 3 4 5 6 7 8	
17A		00H00626011	CTO SILLIN SENDA X-RACE COMP. SELLINO SEAT	SITZBANK SELLE	1 2 3 4 5 6 7 8	
18A		00H00600341	SUPLEMENTO BASE SILLIN SUPPLEMENTO SELLINO SEAT SUPPLEM.	ZUBEHOR SITZBANK SUPL.SELLE	1 2 3 4 5 6 7 8	
19A		00011051801	TORNILLO PARA PLASTICO 5.1 X 18 VITE AUTOFILETTANTE 5,1 X 18 SELF-TAPPING SCREW	SELF-TAPPING SCREW VIS TARAUD	1 2 3 4 5 6 7 8	

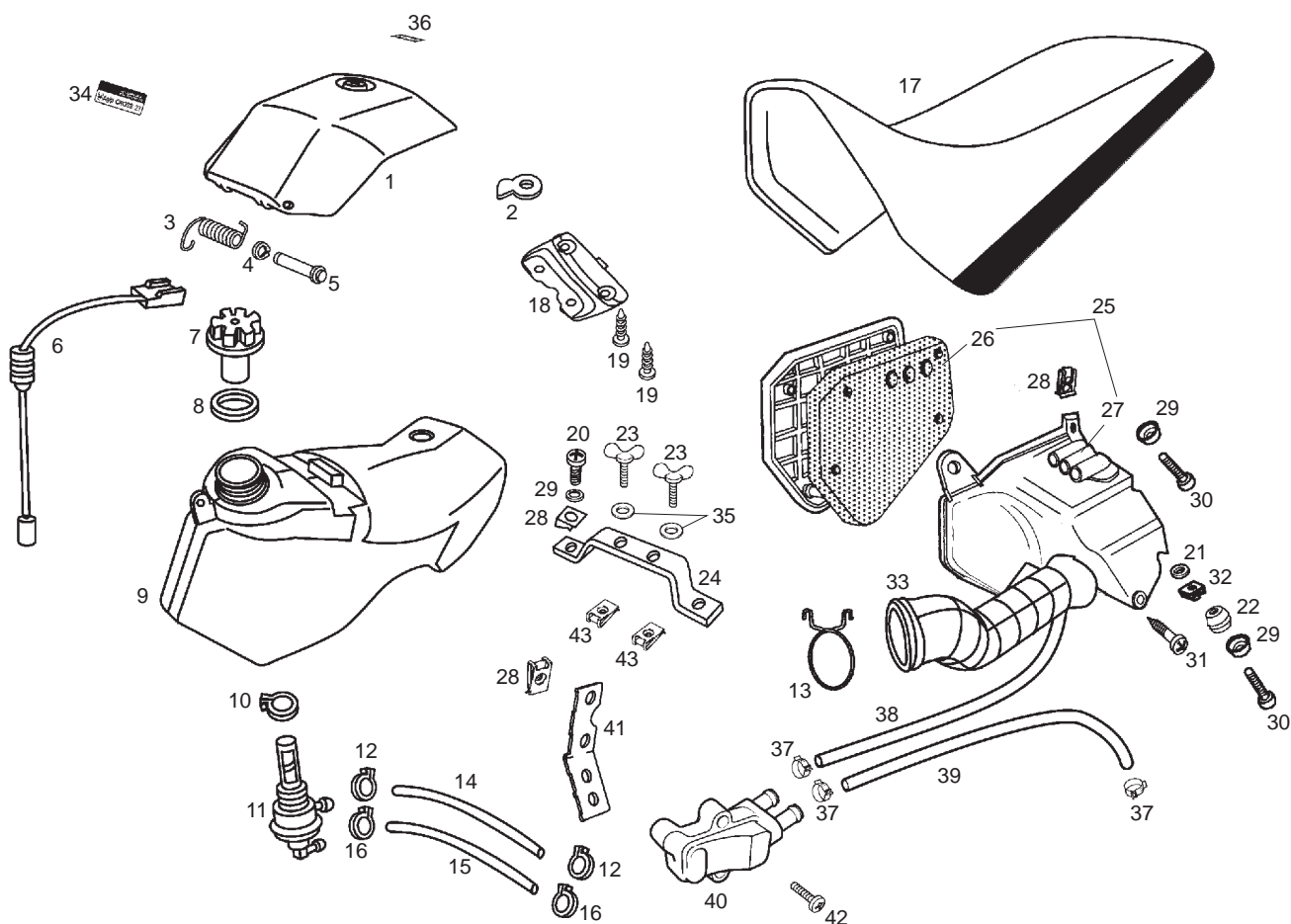


Fig.	Ver.	COD. KOD.	DESCRIPCIÓN DENOMINAZIONE NAME	BEZEICHUNG DESIGNATION	MOD.	NOTAS NOTES NOTA MITSCHRIFT NOTES
20A		00012061200	TOR. C/CR. 6 M 100 X 12 VITE TONDO CROCE 6 X 12 SCREW 6 X 12	SCHRAUBE.6M100X12.NG.D-798 VIS A TETE RONDE A FENTES C	1 2 3 4 5 6 7 8	
21A		00008915020	PROTECCION CABLES PROTEZIONE CAVI RUBBER, CABLE PROTECTOR	GUMMI PASSE-CABLE	1 2 3 4 5 6 7 8	
22A		00D01500552	CAZLTA. FIJ. SILENC. SCADELLINO FISSAGGIO HOUSING	ABDECKSCHEIBE CUVETTE	1 2 3 4 5 6 7 8	
23A		00H06101231	TORNILLO MARIPOSA 5X12 VITE SCREW	SCHRAUBE VIS	1 2 3 4 5 6 7 8	
24A		00H00404051	PUENTE FIJ. DPSTO. SUPPORTO INF. SERBATOIO LOWER FUEL TANK BRACKET	LOWER FUEL TANK BRACKET GPRÉRÉ SUPPORT INFÉRIEUR RÉSEROIR ES	1 2 3 4 5 6 7 8	
25A		00H01800541	CTO CAJA FILTRO CASSA FILTRO AIR FILTER BOX	FILTERKASTEN ENSEMBLE BOITE FILTRE	1 2 4 5 7	
25B		00H06007211	CTO CAJA FILTRO C/TUBO ESCANDINAVIA CASSA FILTRO AIR FILTER BOX	FILTERKASTEN ENSEMBLE BOITE FILTRE	3 6 8	
26A		00H03201251	ESPUMA FILTRO AIRE ESPANSO FILTRO ARIA AIR FILTER MESH	LUFTFILTERSCHAUM FILTRE AIR	1 2 3 4 5 6 7 8	
27A		00D03210491	TUBO ASPIRACION YMBO FD TUBO ASPIRAZIONE YUMBO FD AIR INTAKE	SAUGROHR TUBE DIASPIRATION	1 2 3 4 5 6 7 8	
28A		00D01501371	TUERCA FIJACION D6 DADO FISSAGGIO NUT	MUTTER ECROU	1 2 3 4 5 6 7 8	

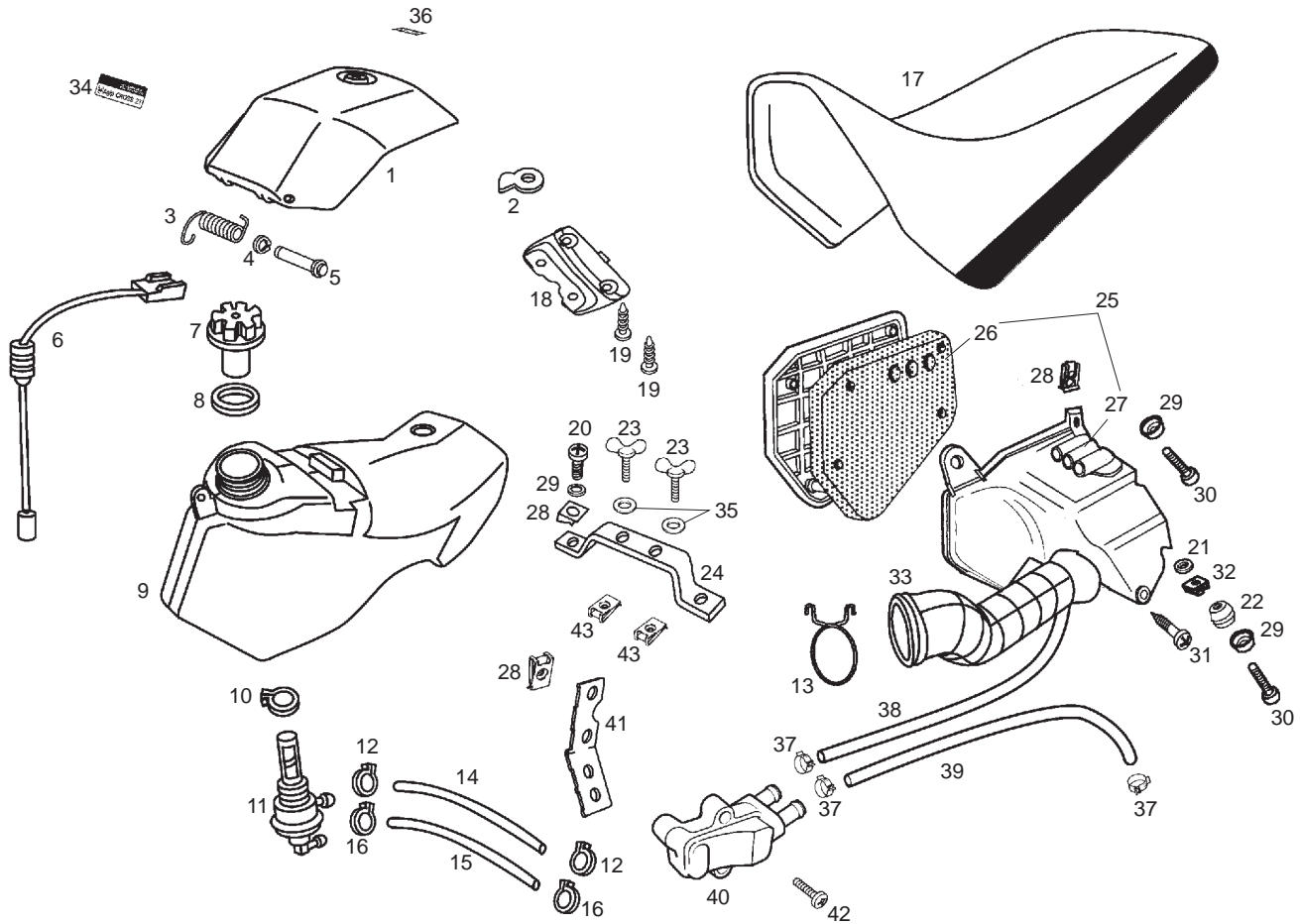


Fig.	Ver.	COD. KOD.	DESCRIPCIÓN DENOMINAZIONE NAME	BEZEICHNUNG DESIGNATION	MOD.	NOTAS NOTES NOTA MITSCHRIFT NOTES
29A		00D01200171	ARAND.EJE LEVA-FIJ.CUBRECAD. RONDELLA WASHER	SCHEIBE RONDELLE	1 2 3 4 5 6 7 8	
30A		00012161600	TOR.C/CRUZ.NG.6M100X16 D-7985 VITE TESTA CROCE NERA PHILIPS SCREW	SCHRAUBE 6M100X16 D-7985 VIS T.CROIX NOIR 6M100X16 D	1 2 3 4 5 6 7 8	
31A		00073481964	TOR.AUTR.C/CRUZ 4,8 X 19. DIN7981 VITE AUTOFILETTANTE TESTA CROC SELF-THREADING HEAD. SCR. 4,8X19	SCHRAUBE VIS	1 2 3 4 5 6 7 8	
32A		00D01500471	CASQ. SILENT. SILENC. GHIERA BUSHING	FUHRUNGSBUCHSE GABELSCHENK ENTRETOISE	1 2 3 4 5 6 7 8	
33A		00H03207261	TUBO ADMISION. TUBO AMMISSIONE AIR INTAKE HOSE	ENLAISROR HUNTER TUYAU DIADMISSION HUNTER	1 2 3 4 5 6 7 8	
34A		00H00401521	CALCAAGIP ADESIVOAGIP DECALAGIP	SCHRIFTZUG AGIP SPEED ADHESIF AGIP SPEED	1 4	ESPAÑA
35A		00D02600631	ARANDELA RONDELLA WASHER	SCHEIBE RONDELLE	1 2 3 4 5 6 7 8	
36A		00H00406521	CALCA TAPA SUP. DEPOSITO ADESIVO DECAL	SCHRIFTZUG ADHESIF	1 2 3 4 5 6 7 8	
37A		00H03802461	ABRAZADERA 15/8 W4 FLANGIA FLANGE	FLANSCH BRIDE	3 6 8	
38A		00H04200721	TUBO CONEXIÓN CAJA FILTRO - SAS TUBO CASSA FILTRO AIR FILTER BOX TUBE	FILTERKASTEN RHOR TUYAU ENSEMBLE BOITE FILTRE	3 6 8	

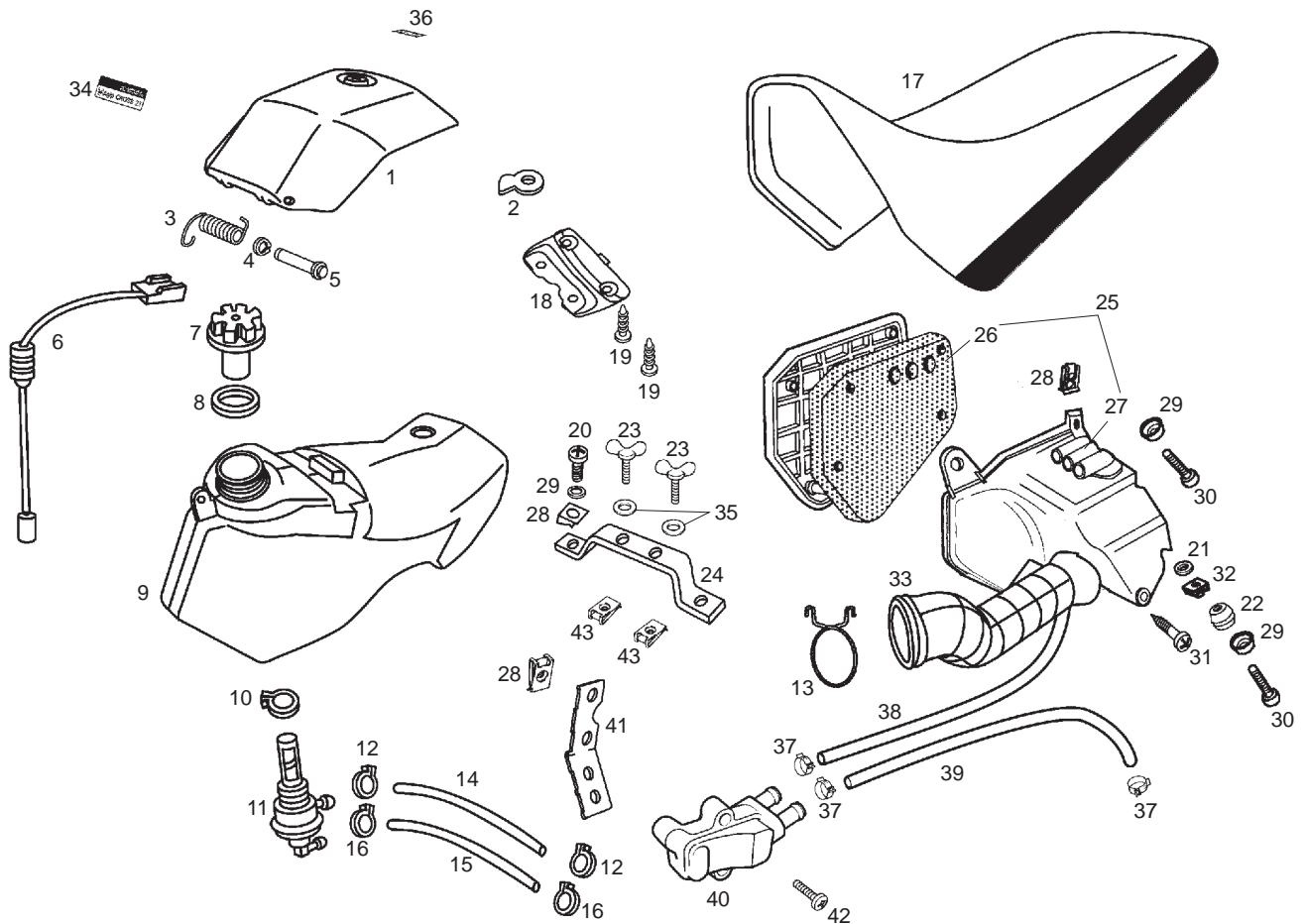


Fig.	Ver.	COD. KOD.	DESCRIPCIÓN DENOMINAZIONE NAME	BEZEICHUNG DESIGNATION	MOD.	NOTAS NOTES NOTA MITSCHRIFT NOTES
39A		00H04202721	TUBO ENTRADA GASES CAJA SAS TUBO CASSA FILTRO AIR FILTER BOX TUBE	FILTERKASTEN RHOR TUYAU ENSEMBLE BOITE FILTRE	3 6 8	
40A		00H04200741	CTO CAJA AIRE SECUNDARIO CASSA SECONDARIA DI ARIA SECONDARY AIR BOX	SEKUNDÄRLUFT-KASTEN BOÎTE SECONDAIRE D'AIR	3 6 8	
41A		00H06500561	CARTELA SOPORTE CAJA SAS SUPPORTO CASSA DI ARIA AIR BOX SUPPORT	LUFT-KASTEN-UNTERSTÜTZUNG APPUI DE BOÎTE D'AIR	3 6 8	
42A		00012062500	TORNILLO C/CRUZ 6M100X25 NG VITE SCREW	SCHRAUBE VIS	3 6 8	
43A		00H01500691	TUERCA FIJACION D5 DADO NUT	MUTTER ECROU	1 2 3 4 5 6 7 8	

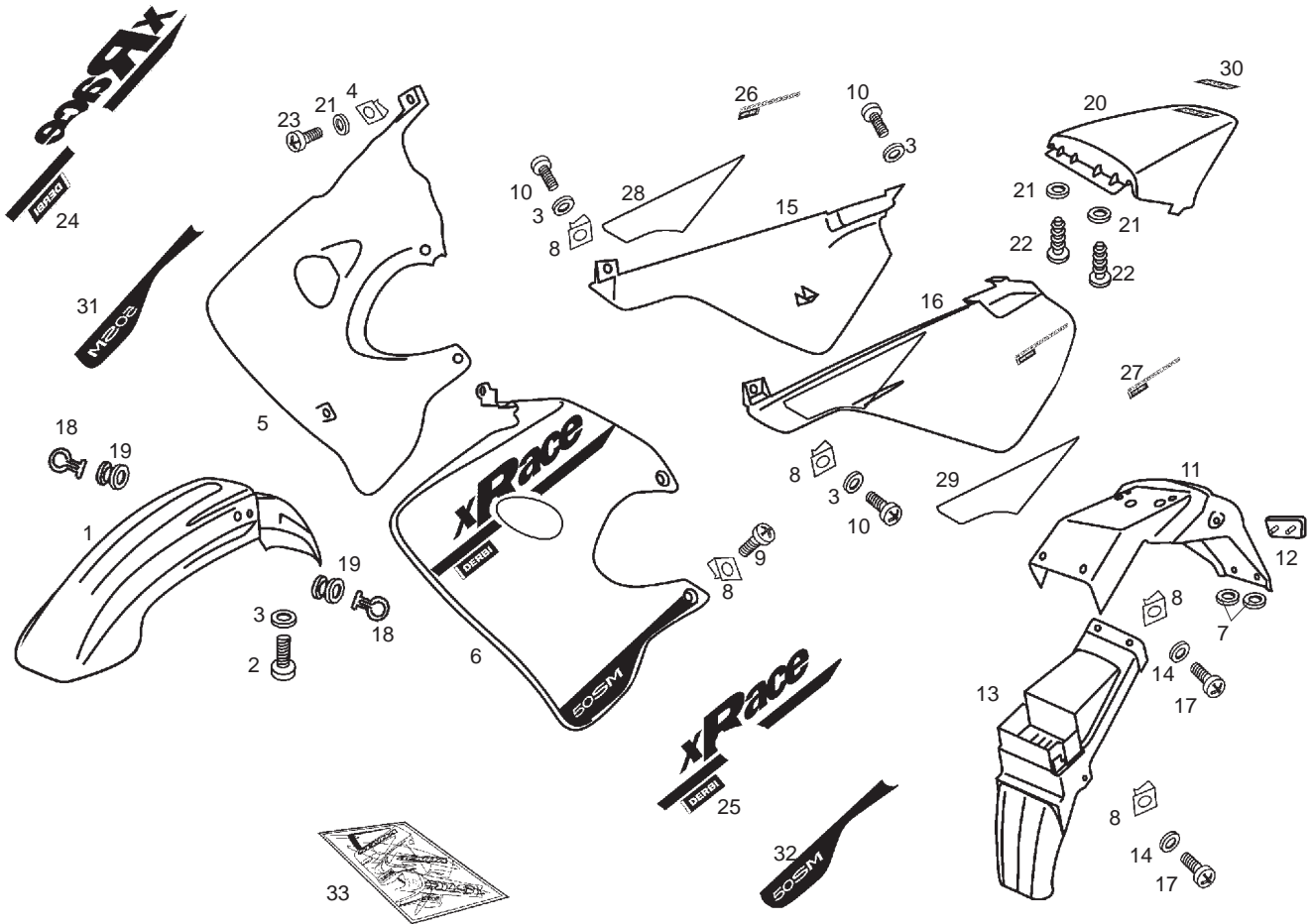


Fig.	Ver.	COD. KOD.	DESCRIPCIÓN DENOMINAZIONE NAME	BEZEICHNUNG DESIGNATION	MOD.	NOTAS NOTES NOTA MITSCHRIFT NOTES
01A		00H00723020	GUARDABARRO DT SENDA SM X-RACE PARAFANGO ANTERIORE FRONT MUDGUARD ASSY	KOTFLUGEL VORN GARDE-BOUE AVANT RGE	1 2 3	
01B		00H00713029	GUARDABARRO DT SENDA SM X-RACE PARAFANGO ANTERIORE FRONT MUDGUARD ASSY	KOTFLUGEL VORN GARDE-BOUE AVANT RGE	5 6	4
01C		00H00713023	GUARDABARRO DT SENDA SM X-RACE PARAFANGO ANTERIORE FRONT MUDGUARD ASSY	KOTFLUGEL VORN GARDE-BOUE AVANT RGE	7 8	
02A		00012161600	TORNILLO C/EXAG. 6M80X16 VITE SCREW	SCHRAUBE VIS	1 2 3 4 5 6 7 8	
03A		00D01200171	ARANDELA EJE LEVA-FIJ.CUBRECAD. RONDELLA WASHER	SCHEIBE RONDELLE	1 2 3 4 5 6 7 8	
04A		00G04401462	TUERCA FIJ. ESC. FRONTAL DADO NUT	MUTTER ECROU	1 2 3 4 5 6 7 8	
05A		00H04436802	TAPA DT DR SENDA SM X-RACE COPERCHIO COVER	DECKEL COUVERCLE	1 2 3	
05B		00H04436801	TAPA DT DR SENDA SM X-RACE COPERCHIO COVER	DECKEL COUVERCLE	5 6	4
05C		00H04436803	TAPA DT DR SENDA SM X-RACE COPERCHIO COVER	DECKEL COUVERCLE	7 8	
06A		00H04436882	TAPA DT IZQ. SENDA SM X-RACE COPERCHIO COVER	DECKEL COUVERCLE	1 2 3	
06B		00H04436881	TAPA DT IZQ. SENDA SM X-RACE COPERCHIO COVER	DECKEL COUVERCLE	5 6	4

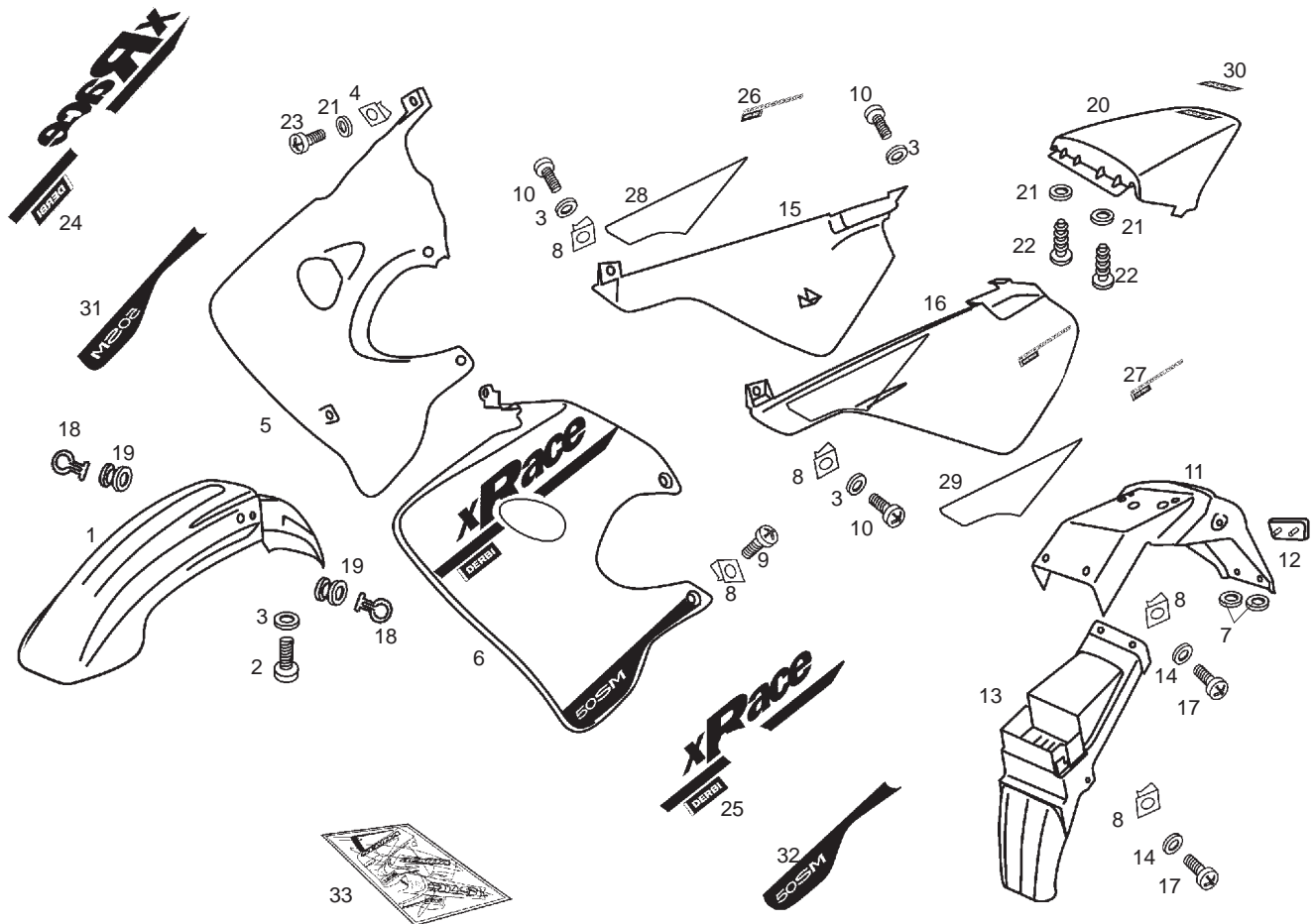


Fig.	Ver.	COD. KOD.	DESCRIPCIÓN DENOMINAZIONE NAME	BEZEICHUNG DESIGNATION	MOD.	NOTAS NOTES MITSCHRIFT
06C		00H04436883	TAPA DT IZQ. SENDA SM X-RACE COPERCHIO COVER	DECKEL COUVERCLE	7 8	
07A		00G06300671	ARANDELA FIJ. SUPLMTO. TR. CUADRO RONDELLA WASHER	SCHEIBE RONDELLE	1 2 3 4 5 6 7 8	
08A		00D01501371	TUERCA FIJ. CUBRECAD. 212827 DADO NUT	MUTTER ECROU	1 2 3 4 5 6 7 8	
09A		00G01503701	TORNILLO FIJ. ESC. FRONTAL HUNTER 5.6 VITE SCREW	SCHRAUBE VIS	1 2 3 4 5 6 7 8	
10A		00012161600	TORNILLO C/RED. CRUZ. 6M100X16 VITE SCREW	SCHRAUBE VIS	1 2 3 4 5 6 7 8	
11A		00H00712341	SUPLEM. GUARD. TR. SUPPLEMENTO PARAFANGO POST. SUPPLEM. REAR FENDER	ZUBEHOR STAUBFANGER HINTEN SUPL. GARDE BOUE AR.	1 2 3 4 5 6 7 8	
12A		00G04400752	CAPTAFAROS TRAS. ROJO CATARIFRANGENTE POSTERIORE R REAR REFLECTOR	RUCKS TRAHLER CATADIOPTRÉ ARRIERE	1 2 3 4 5 6 7 8	
13A		00H00705121	GUARDAB. TR. NEW PARAFANGO POSTERIORE REAR MUDGUARD	KOTFLUGEL HINTEN GARDE BOUE ARRIERE	1 2 3 4 5 6 7 8	
14A		00000031060	ARANDELA PLANA MECANIZ. D.6 RONDELLA WASHER	SCHEIBE RONDELLE	1 2 3 4 5 6 7 8	
15A		00H00556694	TAPA LATERAL DR SM X-RACE COPERCHIO LAT. DES. RIGHT HAND SIDE COVER	SEITENDECKEL RECHTS PLAQUE LATERAL DROITE AVEC	1 2 3	
15B		00H00556691	TAPA LATERAL DR SM X-RACE COPERCHIO LAT. DES. RIGHT HAND SIDE COVER	SEITENDECKEL RECHTS PLAQUE LATERAL DROITE AVEC	4 5 6	

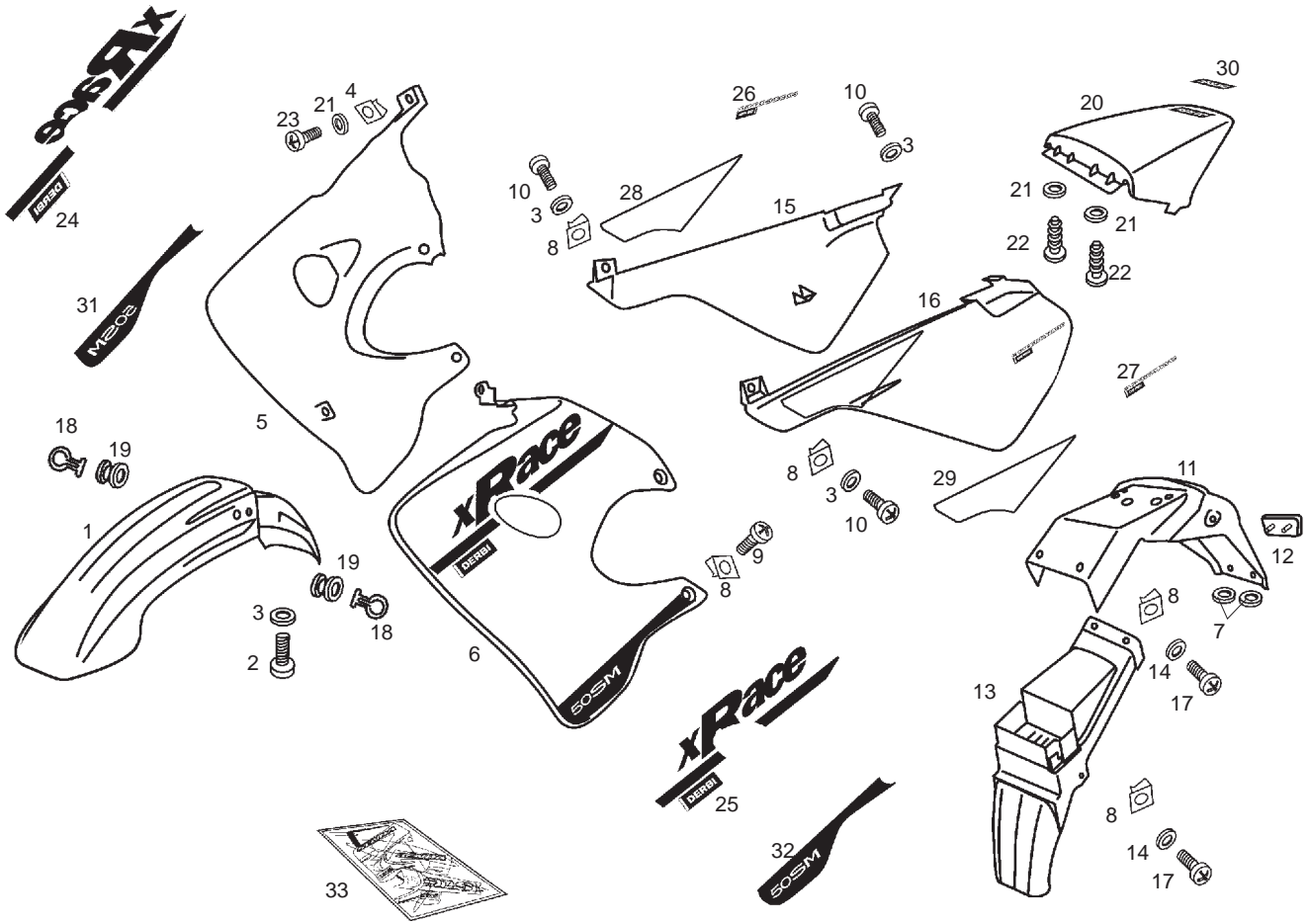


Fig.	Ver.	COD. KOD.	DESCRIPCIÓN DENOMINAZIONE NAME	BEZEICHNUNG DESIGNATION	MOD.	NOTAS NOTES NOTA MITSCHRIFT NOTES
15C		00H00556695	TAPA LATERAL DR SM X-RACE COPERCHIO LAT. DES. RIGHT HAND SIDE COVER	SEITENDECKEL RECHTS PLAQUE LATERAL DROITE AVEC	7 8	
16A		00H00556704	TAPA LATERAL IZQ. SM X-RACE COPERCHIO LAT. SIN. LEFT HAND SIDE COVER	SEITENDECKEL- LINKS FLANC LAT.G.AVEC DECAL	1 2 3	
16B		00H00556701	TAPA LATERAL IZQ. SM X-RACE COPERCHIO LAT. SIN. LEFT HAND SIDE COVER	SEITENDECKEL- LINKS FLANC LAT.G.AVEC DECAL	5 6	4
16C		00H00556705	TAPA LATERAL IZQ. SM X-RACE COPERCHIO LAT. SIN. LEFT HAND SIDE COVER	SEITENDECKEL- LINKS FLANC LAT.G.AVEC DECAL	7 8	
17A		00012161600	TORNILLO C/CRUZ.NG.6M100X16 VITE SCREW	SCHRAUBE VIS	1 2 3 4 5 6 7 8	
18A		00H02201591	GUIA CABLES FRENO GUIDA CAVI CABLE GUIAE	HALTER F. BEF. BREMSSCHLAU SOUS-EN.SUP.FIX.TUYAU FREIN	1 2 3 4 5 6 7 8	
19A		00D01500021	PASACABLES INST.GUARDABARROS PORTACAVI PARAFANGO GROMMET	GUMMI CAOUTCHOUC PASSE-CABLE	1 2 3 4 5 6 7 8	
20A		00H04924092	SCTO COLIN SILLIN COLIN SELLINO SEAT BASE	KOTFLUGEL HINTEN DOSSERET SELLE	1 2 3	
20B		00H04924091	SCTO COLIN SILLIN COLIN SELLINO SEAT BASE	KOTFLUGEL HINTEN DOSSERET SELLE	5 6	4
20C		00H04924093	SCTO COLIN SILLIN COLIN SELLINO SEAT BASE	KOTFLUGEL HINTEN DOSSERET SELLE	7 8	
21A		00000031050	ARANDELA PLAMA M5 RONDELLA WASHER	SCHEIBE D.5 DIN-125 ROND.PLATE MECANISEE D.5.DI	1 2 3 4 5 6 7 8	

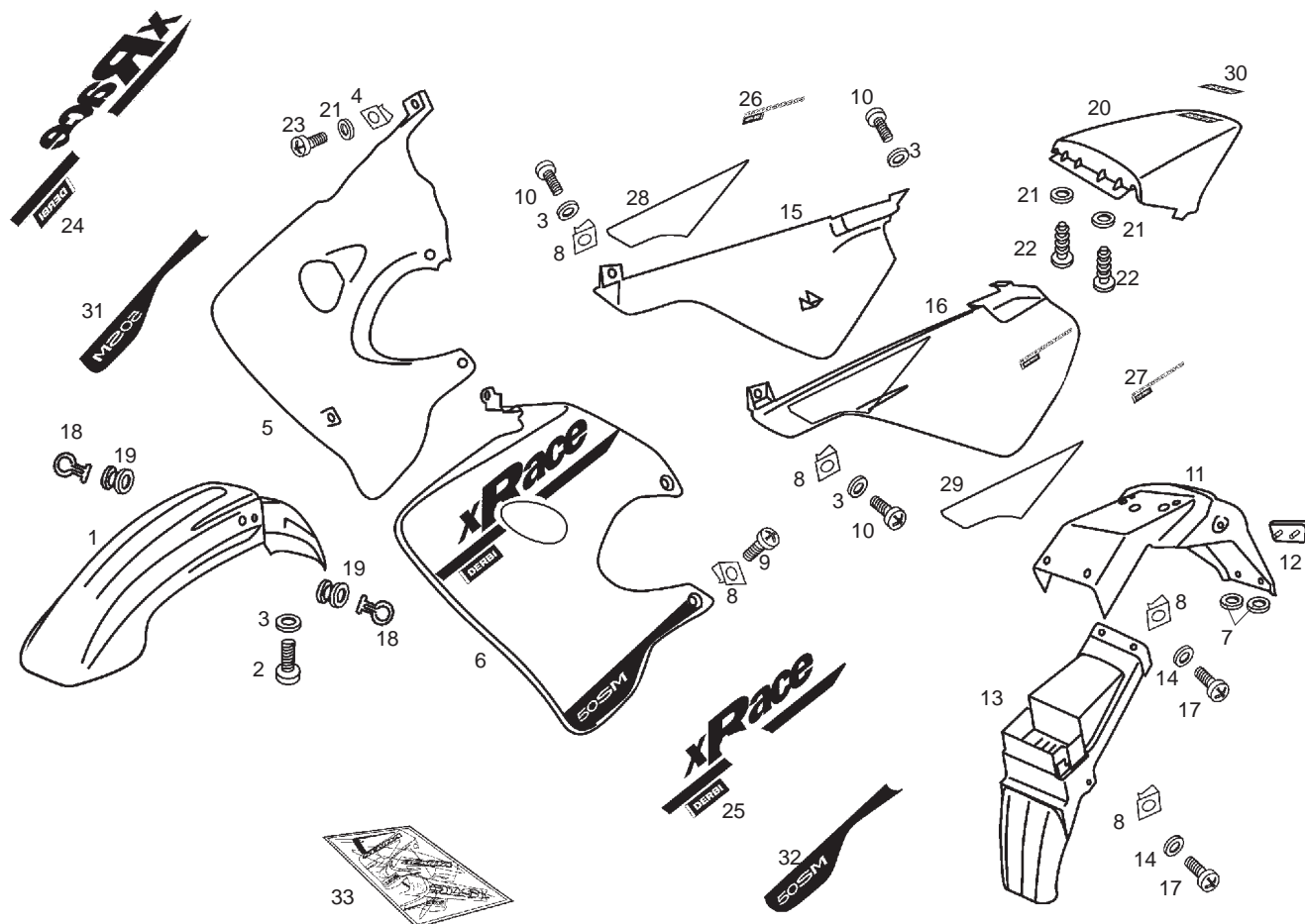


Fig.	Ver.	COD. KOD.	DESCRIPCIÓN DENOMINAZIONE NAME	BEZEICHNUNG DESIGNATION	MOD.	NOTAS NOTES MITSCHRIFT NOTES
22A		00011051401	TORNILLO AUTRRCTE. 5 X14 VITE SCREW	SCHRAUBE VIS	1 2 3 4 5 6 7 8	
23A		00012152000	TORNILLO C/RED CRUZ 5 X 20 VITE SCREW	SCHRAUBE VIS	1 2 3 4 5 6 7 8	
24A		00H04925562	CALCA X-RACE DERECHA ADESIVO DECAL	SCHRIFTZUG ADHESIF	1 2 3	
24B		00H04925561	CALCA X-RACE DERECHA ADESIVO DECAL	SCHRIFTZUG ADHESIF	4 5 6	
24C		00H04925563	CALCA X-RACE DERECHA ADESIVO DECAL	SCHRIFTZUG ADHESIF	7 8	
25A		00H04925572	CALCA X-RACE IZQUIERDA ADESIVO DECAL	SCHRIFTZUG ADHESIF	1 2 3	
25B		00H04925571	CALCA X-RACE IZQUIERDA ADESIVO DECAL	SCHRIFTZUG ADHESIF	4 5 6	
25C		00H04925573	CALCA X-RACE IZQUIERDA ADESIVO DECAL	SCHRIFTZUG ADHESIF	7 8	
26A		00H00520651	CALCA SUPERMOTARD DERBI DERECHA ADESIVO POS.COPERC.LAT.DES. REAR SIDE COVER DECAL	AUFKLEBER DECAL FLANC D.	1 2 3 4 5 6 7 8	
27A		00H00527641	CALCA SUPERMOTARD DERBI IZQUIERDA ADESIVO COPERC.LATERALE SIDE COVER DECAL	AUFKLEBER DECAL LAT.	1 2 3 4 5 6 7 8	
28A		00H00519652	CALCA DEL. TAPA LAT. DERECHA ADESIVO DECAL	SCHRIFTZUG ADHESIF	1 2 3	

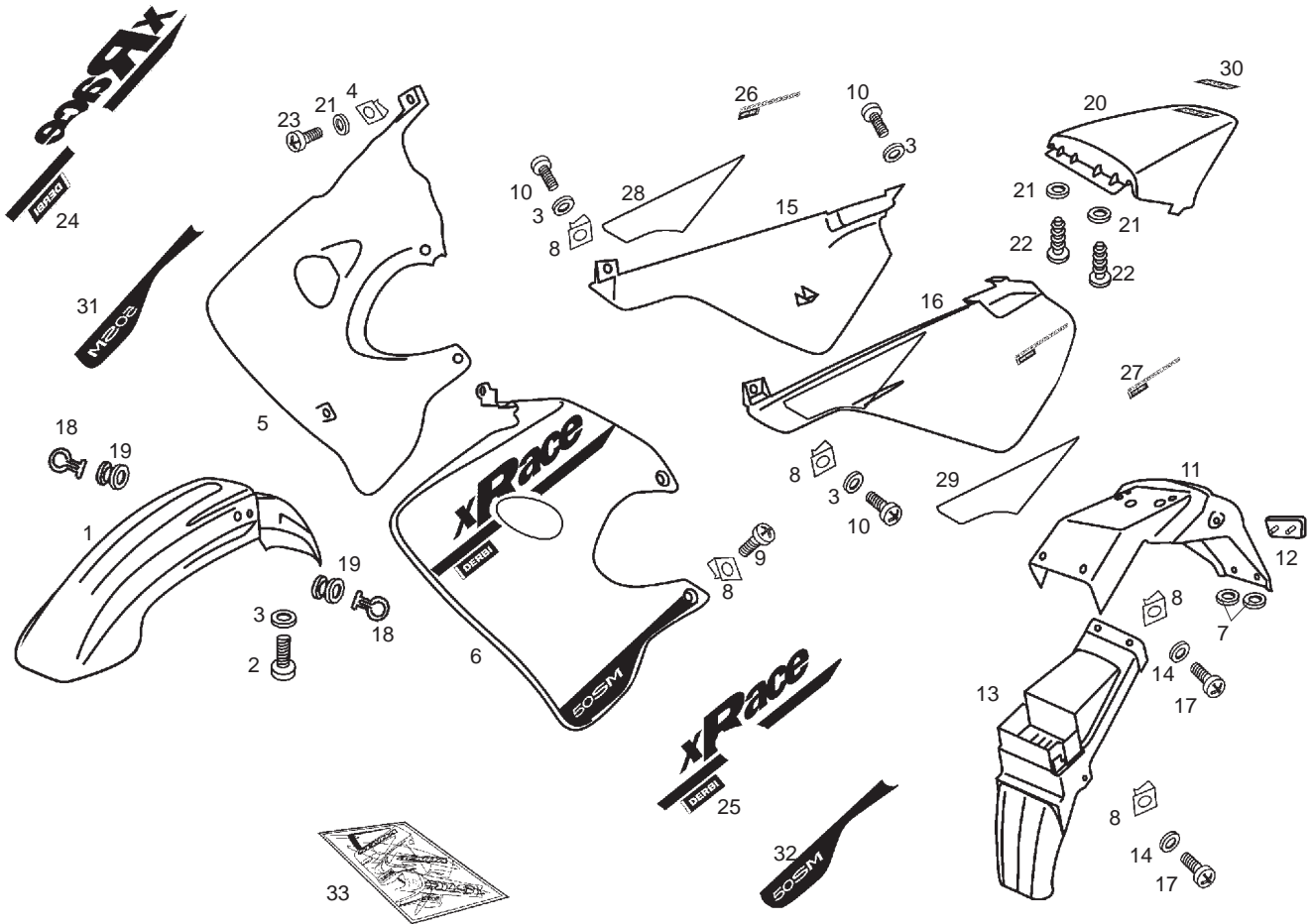


Fig.	Ver.	COD. KOD.	DESCRIPCIÓN DENOMINAZIONE NAME	BEZEICHNUNG DESIGNATION	MOD.	NOTAS NOTES NOTA MITSCHRIFT NOTES
28B		00H00519651	CALCA DEL. TAPA LAT. DERECHA ADESIVO DECAL	SCHRIFTZUG ADHESIF	4 5 6	
28C		00H00519653	CALCA DEL. TAPA LAT. DERECHA ADESIVO DECAL	SCHRIFTZUG ADHESIF	7 8	
29A		00H00526642	CALCA DEL. TAPA LAT. IZQUIERDA ADESIVO DECAL	SCHRIFTZUG ADHESIF	1 2 3	
29B		00H00526641	CALCA DEL. TAPA LAT. IZQUIERDA ADESIVO DECAL	SCHRIFTZUG ADHESIF	4 5 6	
29C		00H00526643	CALCA DEL. TAPA LAT. IZQUIERDA ADESIVO DECAL	SCHRIFTZUG ADHESIF	7 8	
30A		00H00611521	CALCA DERBI COLIN ADESIVO DERBI DECAL DERBI	SCHRIFTZUG DERBI ADHESIF DERBI	1 2 3 4 5 6 7 8	
31A		00H04610092	CALCA 50SM DERECHA ADESIVO DECAL	SCHRIFTZUG ADHESIF	1 2 3	
31B		00H04610091	CALCA 50SM DERECHA ADESIVO DECAL	SCHRIFTZUG ADHESIF	4 5 6	
31C		00H04610093	CALCA 50SM DERECHA ADESIVO DECAL	SCHRIFTZUG ADHESIF	7 8	
32A		00H04610102	CALCA 50SM IZQUIERDA ADESIVO DECAL	SCHRIFTZUG ADHESIF	1 2 3	
32B		00H04610101	CALCA 50SM IZQUIERDA ADESIVO DECAL	SCHRIFTZUG ADHESIF	4 5 6	

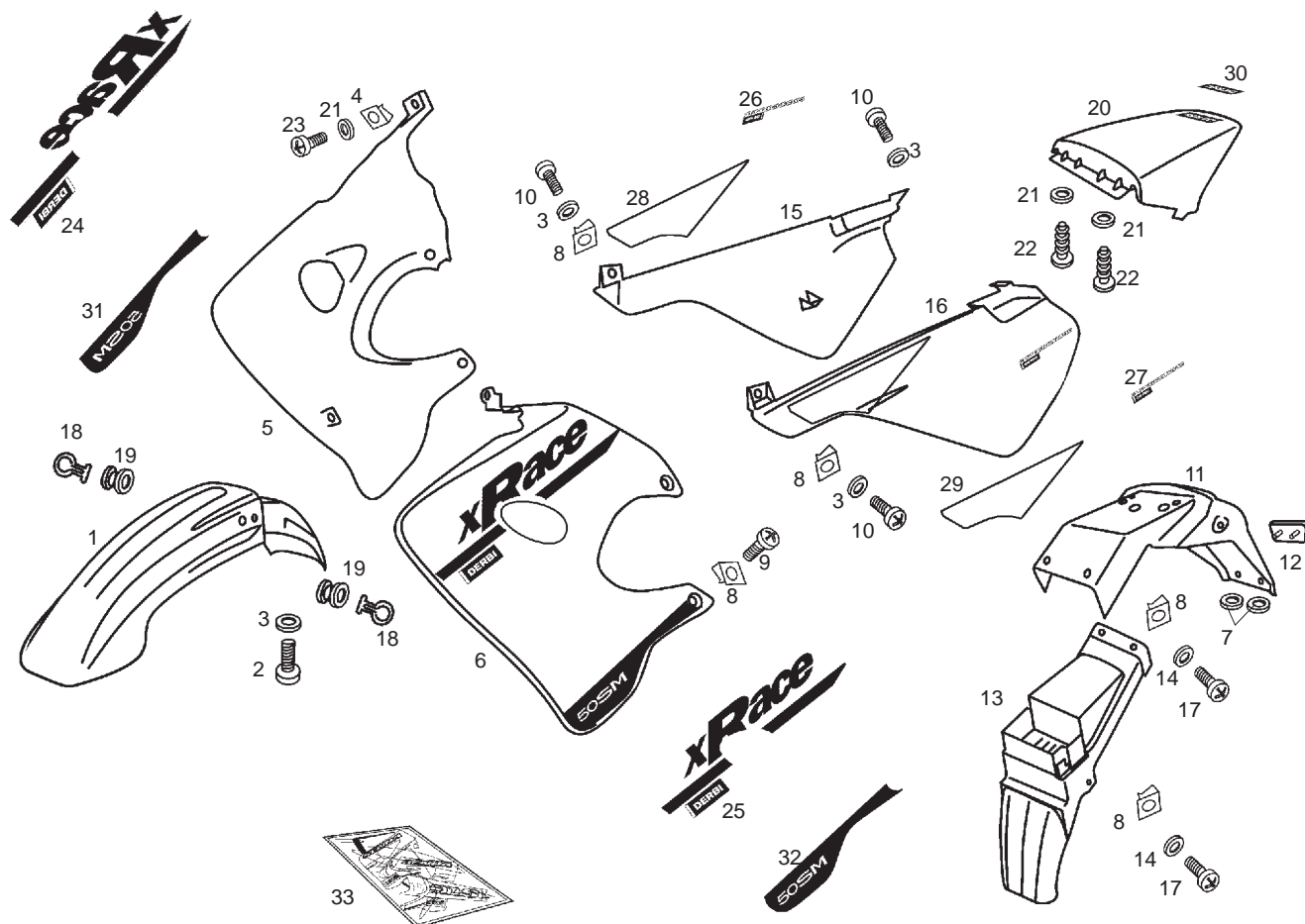


Fig.	Ver.	COD. KOD.	DESCRIPCIÓN DENOMINAZIONE NAME	BEZEICHNUNG DESIGNATION	MOD.	NOTAS NOTES MITSCHRIFT NOTES
------	------	-----------	--------------------------------	-------------------------	------	------------------------------

32C		00H04610103	CALCA 50SM IZQUIERDA ADESIVO DECAL	SCHRIFTZUG ADHESIF	7 8	
-----	--	-------------	--	-----------------------	-----	--

ACCESORIOS OPCIONALES / ACCESORI OPCIONALE / OPTIONAL ACCESORIES / WERKZEUG / OTILS FOURNIS

33A		00H05158652	R-JUEGO CALCAS SM X-RACE NEGRA COMPL.ADESIVI DECALS ASSY	AUFKLEBERSATZ JEU ADHESIF	1 2 3	
33B		00H05158651	R-JUEGO CALCAS SM X-RACE NARANJA COMPL.ADESIVI DECALS ASSY	AUFKLEBERSATZ JEU ADHESIF	4 5 6	
33C		00H05158653	R-JUEGO CALCAS SM X-RACE NG./GRIS COMPL.ADESIVI DECALS ASSY	AUFKLEBERSATZ JEU ADHESIF	7 8	

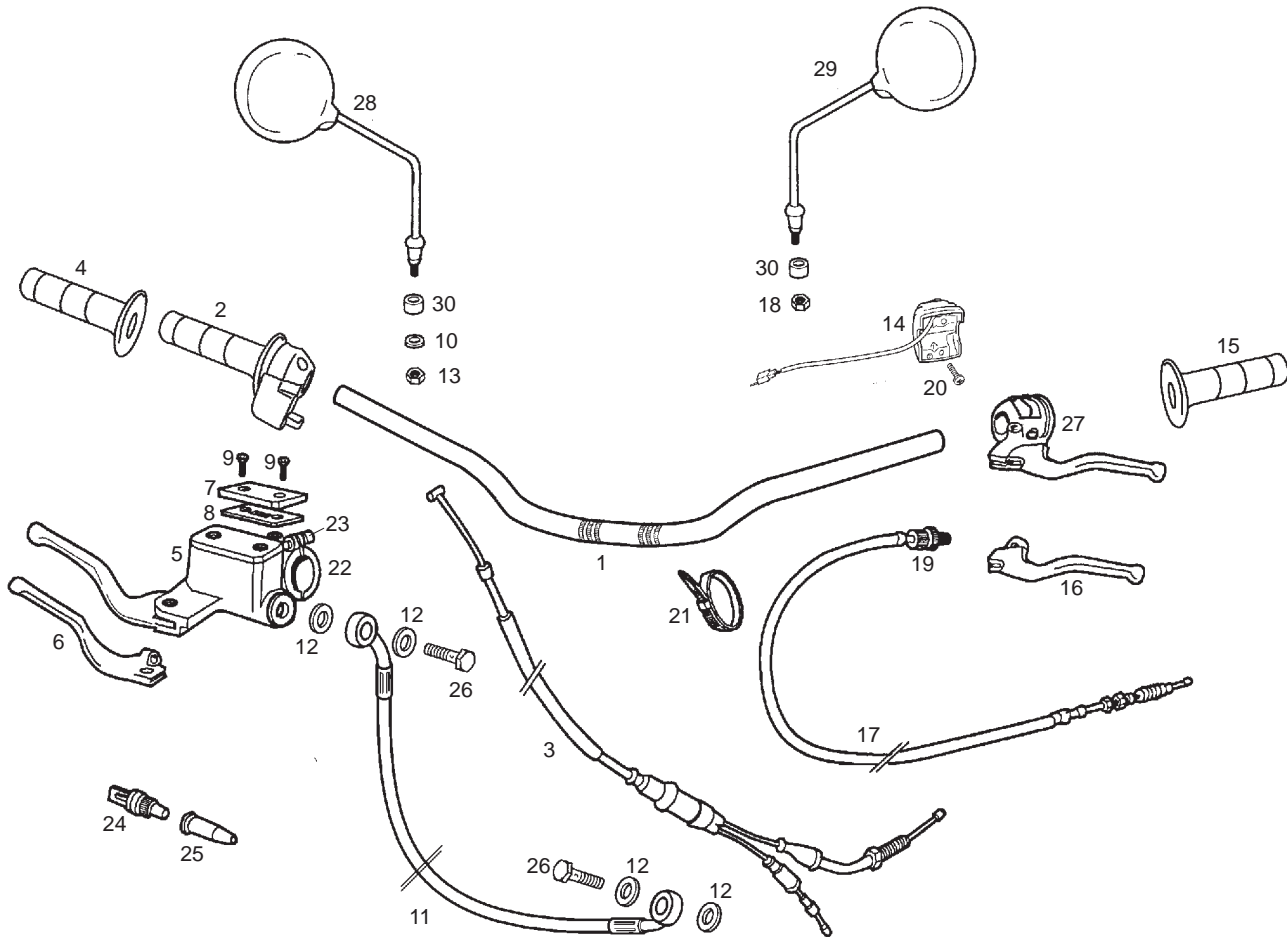


Fig.	Ver.	COD. KOD.	DESCRIPCIÓN DENOMINAZIONE NAME	BEZEICHNUNG DESIGNATION	MOD.	NOTAS NOTES NOTA MITSCHRIFT NOTES
01A		00H00908012	SCTO. MANILLAR MANUBRIO HANDLEBAR ASSY	LENKER GUIDON	1 2 3 4 5 6 7 8	
02A		00H02101621	CTOO. PUÑO GAS MANOPOLA ACCELERATOR THROTTLE GRIP ASSEMBLY	GASGRIFF POIGNEE DE GAZ COMPLETE	1 2 3 4 5 6 7 8	
03A		00H00916171	SCTO. CABLE FUNDA GAS CAVO-FODERO ACCELERA CABLE ASSY TRHOTTLE	GASKABEL GAINE ET CABLE DE GAZ	1 2 3 4 5 6 7 8	
04A		00H00930091	R-EMPUÑADURA GAS R-MANOPOLA ACCELERATORE V.W.CH GRIP, THROTTLE	GRIFF CAOUT.DE PIGNEE GAZ	1 2 3 4 5 6 7 8	
05A		00G02102083	R-CTO MANDO FRENO DT. R-COMANDO FRENO FRONT BRAKE LEVER/MASTER CYLIN	REP.-SATZ F. PUMPE R-ENSEM.KIT REPAR. POMPE SE	1 2 3 4 5 6 7 8	
06A		00F00902291	R-MANETA FRENO TRASERO MANOPOLA FRENO BRAKE LEVER	BREMSHEBEL KOMPL. MANETE DU FREIN AVANT	1 2 3 4 5 6 7 8	
07A		00H02100191	R-TAPA DEPOSITO LIQ. FRENO DT. COPERCHIO SERBATOIO LIQUIDO BRAKE FLUID RESERVOIR CAP	BREMSFLUESSIGKEITSBEHAELTE R-COUV.RESER.LIQ.FREIN AVAN	1 2 3 4 5 6 7 8	
08A		00H02100861	R-JUNTA TAPA DEP. LIQ. FRENO GUARNIZIONE COPERCHIO BRAKE FLUID RESERVOIR CAP SEAL	BREMSCECKELDICHUNG R-JOINT COUV.RES.LIQ.FR.AV.	1 2 3 4 5 6 7 8	
09A		00014041200	TORN. C/AR. CRUZ NG. 4 M 80 X 12 VITE TESTA SVASATA CROCE NERO COUNTERSUNK PHILIPS SCREW	SCHRAUBE 4M80X12.D-965 BOULON T.NOYEE CR.N.4M80X12	1 2 3 4 5 6 7 8	
10A		00000031080	ARANDELA RONDELLA WASHER	SCHEIBE RONDELLE	1 2 3 4 5 6 7 8	
11A		00H00917751	R-TUBO LIQUIDO FRENO DT SUBCOMP.TUBO LIQ.FRE. BRAKE FLUID TUBE	BREMSSSCHLAUCH FLEXIBLE DE FREIN AVANT	1 2 3 4 5 6 7 8	

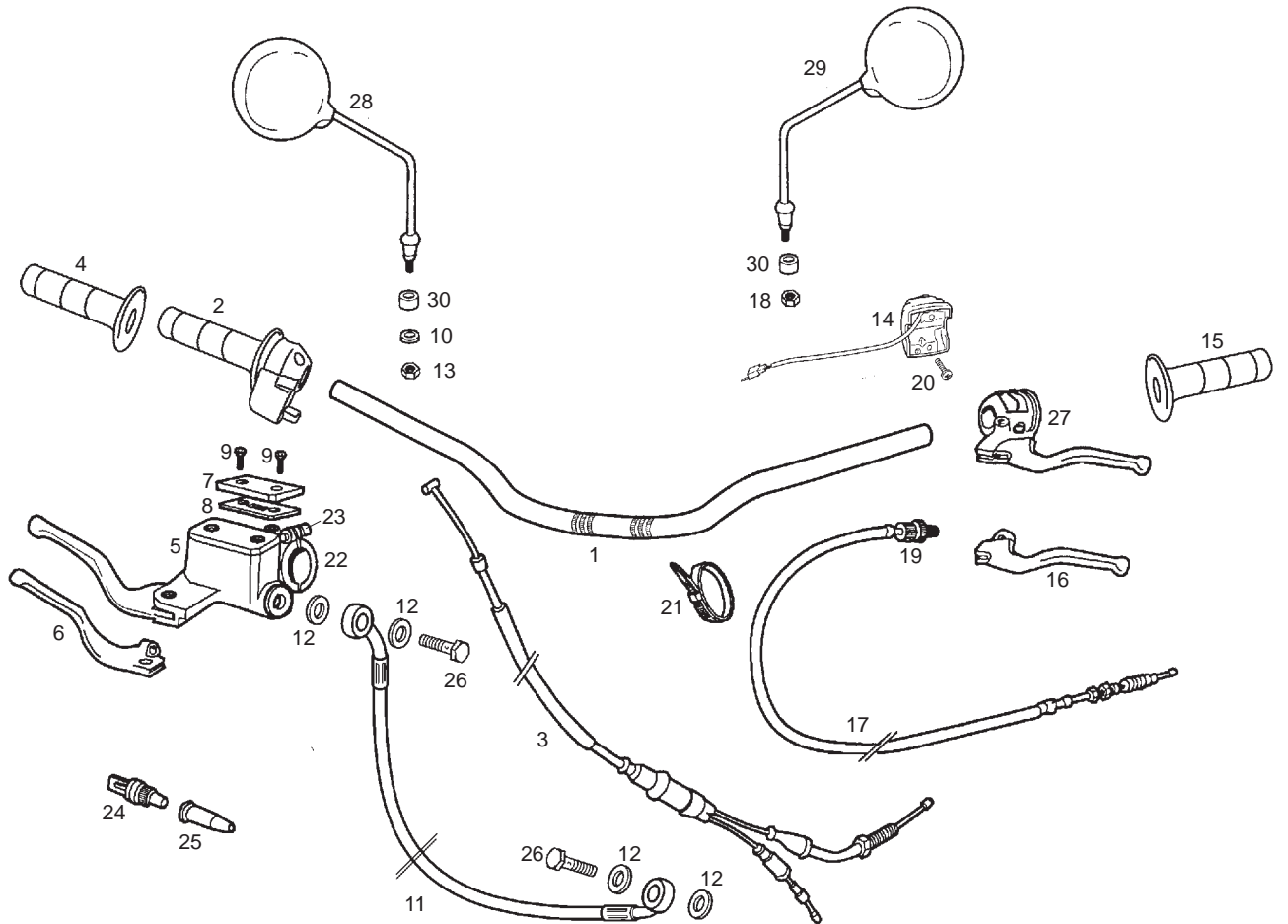


Fig.	Ver.	COD. KOD.	DESCRIPCIÓN DENOMINAZIONE NAME	BEZEICHNUNG DESIGNATION	MOD.	NOTAS NOTES NOTA MITSCHRIFT NOTES
12A		00006321040	ARAND. JUNTA RADORD RONDELLA GUARNIZIONE RACCORDO CONNECTOR GASKET WASHER	DICHRING RONDELLE DE JOINT RACCORD	1 2 3 4 5 6 7 8	
13A		00000021080	TCA.AUTOBLOC. DADO AUTOBLOCCANTE SELF-LOCKING NUT	MUTTER SELBSTS ECROU INDESSERABLE	1 2 3 4 5 6 7 8	
14A		00H02305381	CTO.CONMUTADOR LUCES C/CABLE CONMUTATORE LUCI SWITCH	LICHTSCHALTER INVERSEUR AVEC CABLE	1 2 3 4 5 6 7 8	
15A		00H00930071	R-EMPUÑADURA PUÑO LUZ R-MANOPIOLA FRENO POSTERIORE 13 GRIP, THROTTLE	GRIF CAOUT.DE PIGNEE GAZ	1 2 3 4 5 6 7 8	
16A		00F00910291	R-MAN. EMBR. LEVIER EMBRAYAGE CLUTCH LEVER	KUPPLUNGSHABEL LEVIER EMBRAYAGE	1 2 3 4 5 6 7 8	
17A		00H00907301	SCTO.CABLE-FUNDA EMBRG. CAVO-GUAINA FRIZ. CLUTCH COVER AND CAB.SUB.ASSY.	KUPPLUNGSZUG GAINE ET CABLE DIEMBRAYAGE	1 2 3 4 5 6 7 8	
18A		00000023080	TCA.AUTOBLOC. 8M125. DIN-982. DADO AUTOBLOCCANTE 8M125 SELF-LOCKING NUT M8	MUTTER SELBSTS ECROU INDESSERABLE 8M125.DI	1 2 3 4 5 6 7 8	
19A		00F00920551	R-CTO TENSOR CABLE EMBRAGUE TENSORE CABO CLUTCH CABLE TIGHTENING DEVIC	SHELLE COLLIER FIX ELIERIE	1 2 3 4 5 6 7 8	
20A		00000012508	TOR.C/RED.CRUIZ 5M80X8 VITE TONDO CROCE 5M80X8 SCREW 5M80X8	INBUSSCHRAUBE MOTOR BEFEST VIS 5M80X8	1 2 3 4 5 6 7 8	
21A		00A00900531	BRIDA UNECABLES NEGRA FLANGIA UNIONE CAVI BLACK CABLE TIE	KABELBINDER COLLIER	1 2 3 4 5 6 7 8	
22A		00D02100901	R-BRIDA FIJ. MANDO FRENO DT. CAVALLOTO FISSAGGIO POMPA CLAMP	BEF.-SHELLE ENTRETOISE	1 2 3 4 5 6 7 8	

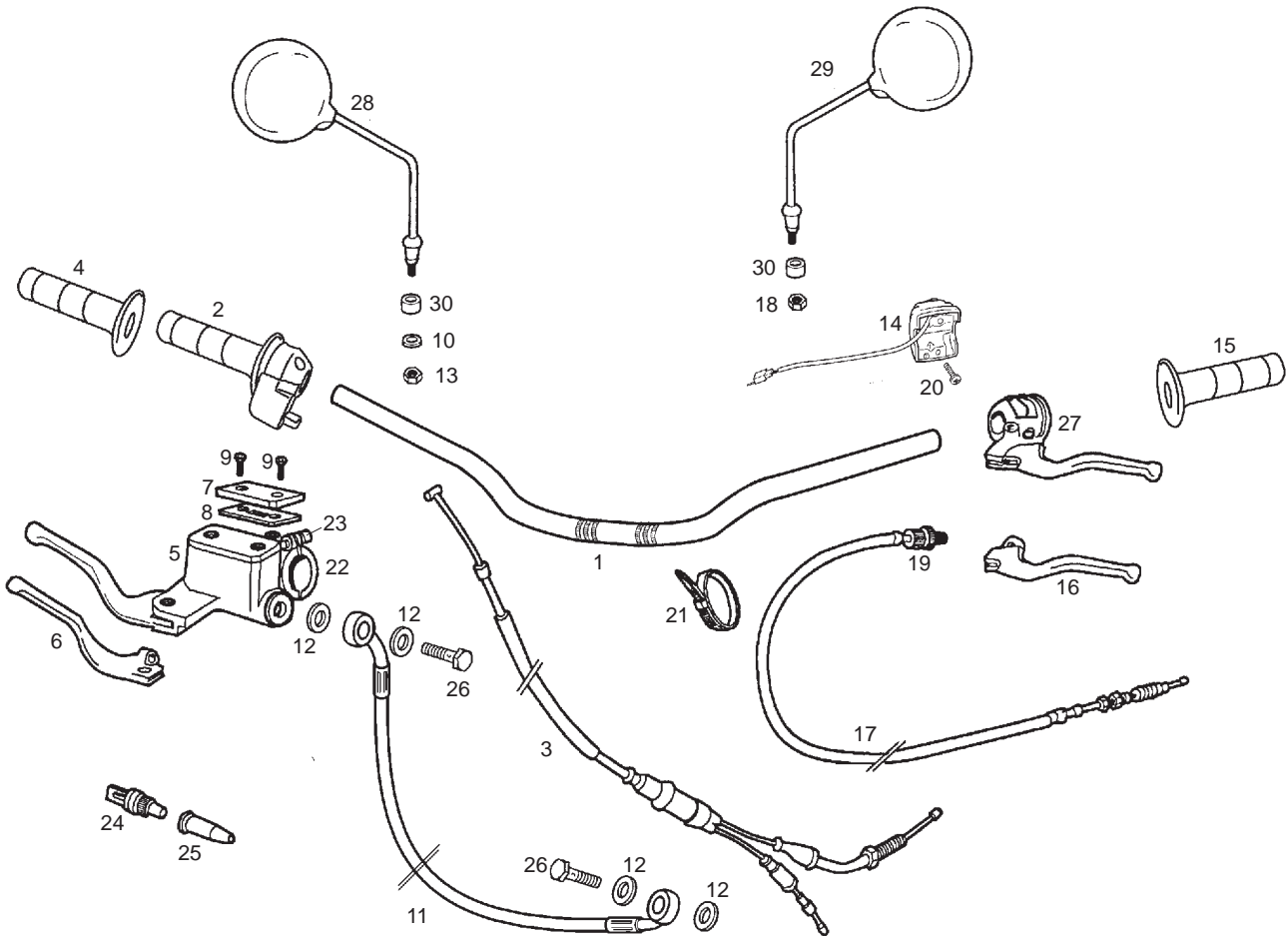


Fig.	Ver.	COD. KOD.	DESCRIPCIÓN DENOMINAZIONE NAME	BEZEICHNUNG DESIGNATION	MOD.	NOTAS NOTES NOTA MITSCHRIFT NOTES
23A		00004061600	TORNILLO C/ALLEN 6M100X16 NG VITE SCREW	SCHRAUBE VIS	1 2 3 4 5 6 7 8	
24A		00D01000701	INTERRUP.MANDO STOP. INTERRUPTORE STOP SWITCH, STOP LIGHT	STOPCHALTER VO. INTERRUPTEUR COMMANDE STOP	1 2 3 4 5 6 7 8	
25A		00005010760	CAPUCH.INTERRUP.STOP.NG. CAPPUCCIO INTERRUPTORE STOP NE RUBBER COVER,STOP LIGHT SWITCH	GUMMISCHUTZ STOPLICHTSCHAL CAPUCHON	1 2 3 4 5 6 7 8	
26A		00006309260	RACORD TUBO HIDRAULICO RACCORDO TUBO IDRAULICO HYDRAULIC TUBE CONNECTOR	STUTZEN HIDRAULIKLEITUNG RACCORD TUYAU HYDRAULIQUE	1 2 3 4 5 6 7 8	
27A		00H02105611	CTO. PORTAM. IZQ. PORTAMANOPOLA SINIST LEFT LEVER BRACKET	BREMSHEBEL LINKS KOMPLETT ENS. PORTE-MANETTE GAUCHE	1 2 3 4 5 6 7 8	
28A		00H02205671	CTO. ESPEJO RETROVISOR SPECCHIETO RETROVISO REAR MIRROR	SPIEGEL MIRROIR RETROVISEUR	1 2 3 4 5 6 7 8	
29A		00D02200671	CTO. ESPEJO RETROVISOR SPECCHIETO RETROVISO REAR MIRROR	SPIEGEL MIRROIR RETROVISEUR	1 2 3 4 5 6 7 8	
30A		00G00800261	CASQ.GIRO PATA CABALLETE.VAMOS GHIERA SNODO ZAMPA CAVALLETTO SPACER	DISTANZHULSE ENTRETOISE	1 2 3 4 5 6 7 8	

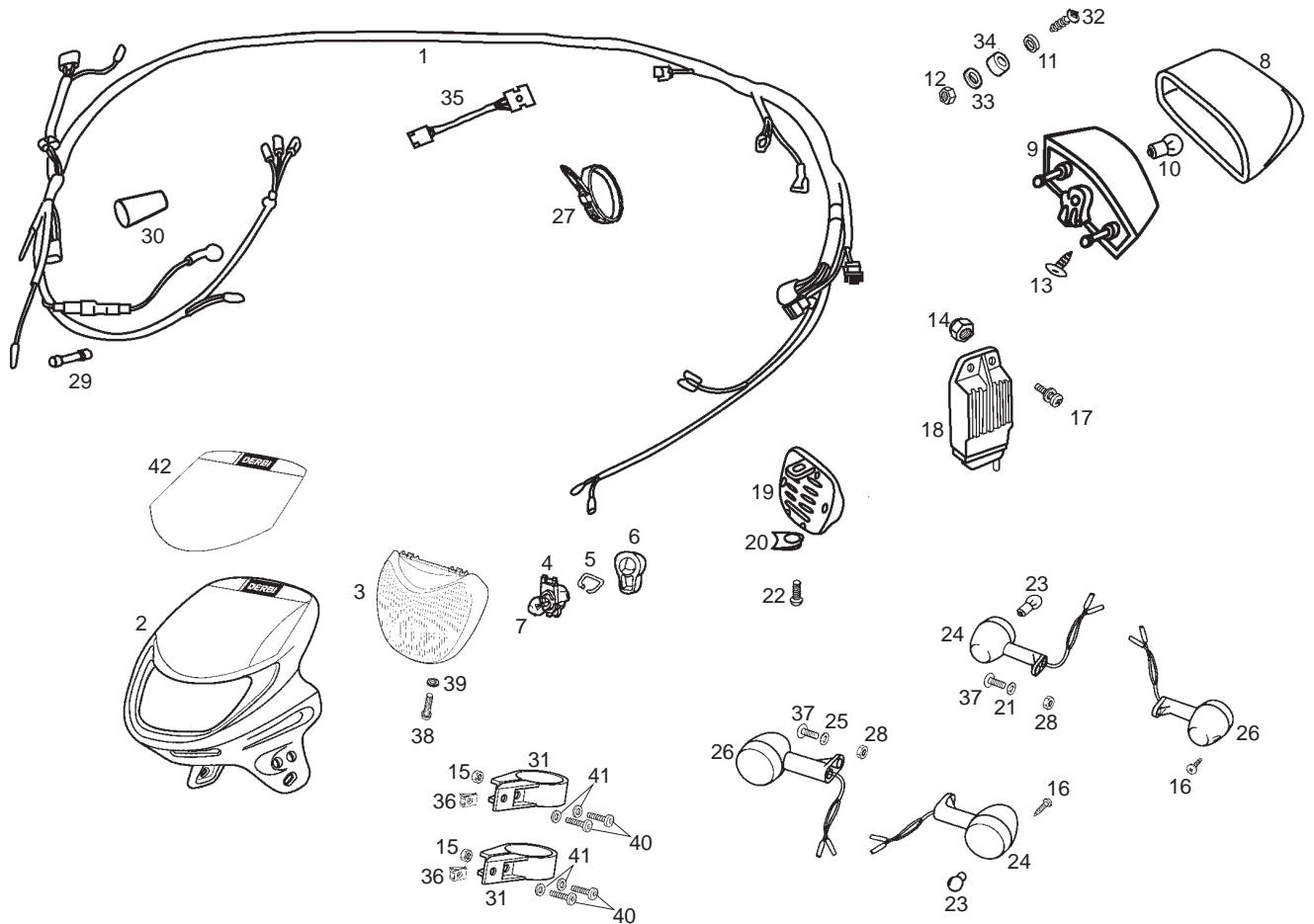


Fig.	Ver.	COD. KOD.	DESCRIPCIÓN DENOMINAZIONE NAME	BEZEICHNUNG DESIGNATION	MOD.	NOTAS NOTES NOTA MITSCHRIFT NOTES
01A		00H01046301	CTO.INSTALACION ELECTRICA IMPIANTO ELETTRICO S ELECTRICAL INSTALATIONS ASSY.	KOBELBAUM FAISCEAU ELECTRIQUE	1 2 3 4 5 6 7 8	
02A		00H02258874	CARCASA FARO CARCASA FARO HEADLIGHT CUSING SUB-ASSEMBLY	SCHEINWERFERVERKLEIDUNG PLAQUE PHARE	1 2 3	
02B		00H02258871	CARCASA FARO CARCASA FARO HEADLIGHT CUSING SUB-ASSEMBLY	SCHEINWERFERVERKLEIDUNG PLAQUE PHARE	4 5 6	
02C		00H02258875	CARCASA FARO CARCASA FARO HEADLIGHT CUSING SUB-ASSEMBLY	SCHEINWERFERVERKLEIDUNG PLAQUE PHARE	7 8	
03A		00H01012011	CTO FARO DT FARO ANTERIORE HEADLIGHT LENS SUB-ASSEMBLY	SCHEINWERFER OPTIQUE COMPLETE	1 2 3 4 5 6 7 8	
04A		00003710110	R-PORTALAMPARAS PORTA-LAMPADE BULB HOLDER	LAMPENHALTER R-PORTE-LAMPES	1 2 3 4 5 6 7 8	
05A		00003710120	R-MUELLE PORTLAMPARAS R- MOLLA PORTALAMPADE BULB HOLDER SPRING	FEDER F. LAMPENHALTER R-RESSORT PORTE-LAMPES	1 2 3 4 5 6 7 8	
06A		00D05700141	R-PROTECT.PORTALAMP.FARO FDS-SV R-PROTEZIONE PORTA LAMPADA FA HEADLAMP BULB HOLDER PROTC	LAMPENDECKEL R-PROT.PORTE-LAMPES PHARE F	1 2 3 4 5 6 7 8	
07A		00H01000131	LAMPARA FARO.12V.35/35W. LAMPADA FARO 12V 35/35W HEADLIGHT BULB	SCHEINWERFERLAMPE 12V/35-3 TUBE PHARE 12V/35-35W	1 2 3 4 5 6 7 8	
08A		00H01002341	R-CRISTAL PILOTO VETRO SPIA/STOP LENS, TAILLIGHT	RUCK LIGHTCELLONES AVANNAH CABOCHON DE FEU ARRIERE	1 2 3 4 5 6 7 8	

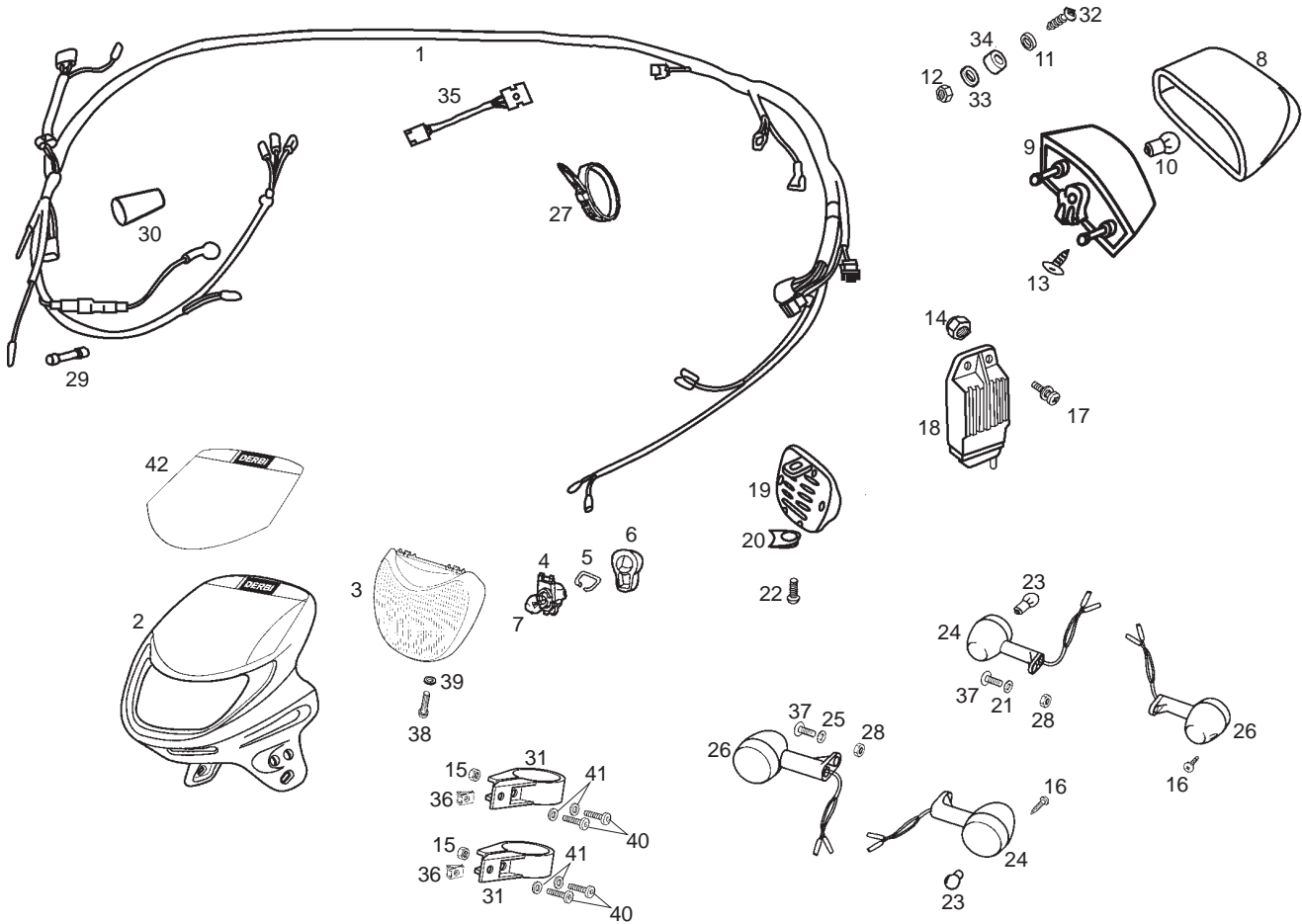


Fig.	Ver.	COD. KOD.	DESCRIPCIÓN DENOMINAZIONE NAME	BEZEICHNUNG DESIGNATION	MOD.	NOTAS NOTES NOTA MITSCHRIFT NOTES
09A		00H01006321	CTO.FARO PILOTO FANALINO POSTERIORE TAIL LIGHT ASSY	RUCKLIGHT FEU ARRIERE	1 2 3 4 5 6 7 8	
10A		00H01000371	LAMP.PILOTO-STOP.12V.21/5W. LAMPADA FANALINO POSTERIORE BULB, TAILLIGHT/STOP	BIRNE BREMSLIGHT 12V 21/5 LAMPE-TEMOIN-STOP 12V 21/5W	1 2 3 4 5 6 7 8	
11A		00H03800722	ARANDELA TOPE MUELLE EMBRAGUE RONDELLA WASHER	SCHEIBE RONDELLE	1 2 3 4 5 6 7 8	
12A		00000023051	TUERCA AUTOBLOCANTE 5M80 DADO NUT	MUTTER ECROU	1 2 3 4 5 6 7 8	
13A		00G01001571	R-TORNILLO FIJ.FARO PILOTO PREDATOR VITE SCREW	SCHRAUBE VIS	1 2 3 4 5 6 7 8	
14A		00000023060	TUERCA AUTOBLOCANTE M6 DADO NUT	MUTTER ECROU	1 2 3 4 5 6 7 8	
15A		00000021050	TUERCA EXAGONAL 5M80 DADO NUT	MUTTER ECROU	1 2 3 4 5 6 7 8	
16A		00011021300	TORNILLO AUTR.C/CRUZ.2,9X13 VITE SCREW	SCHRAUBE VIS	1 2 3 4 5 6 7 8	
17A		00F05900041	SCTO TORNILLO 6M100X16 VITE SCREW	SCHRAUBE VIS	1 2 3 4 5 6 7 8	
18A		00H01007841	REGULADOR AC/DC REGULATORE TENSIONE REGULATOR	SPANNUNGSREGLER REGULATEUR AC/DC	1 2 3 4 5 6 7 8	

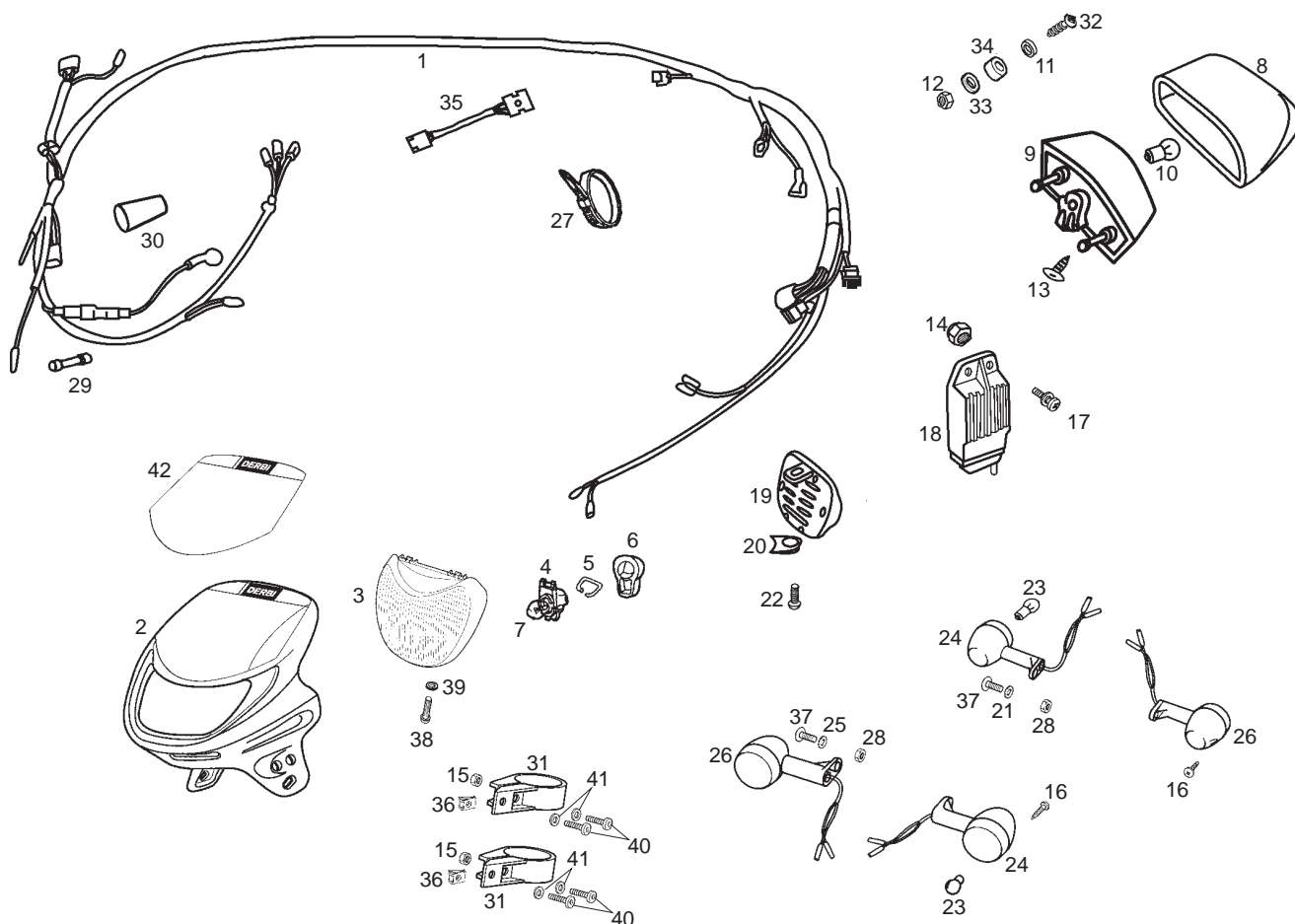


Fig.	Ver.	COD. KOD.	DESCRIPCIÓN DENOMINAZIONE NAME	BEZEICHNUNG DESIGNATION	MOD.	NOTAS NOTES NOTA MITSCHRIFT NOTES
19A		00H01005311	CTO. CLAXON SENDA X-TREM'04 CLACSON HORN ASSEMBLY	HUPE KLAXON COMPLET	1 2 3 4 5 6 7 8	
20A		00D01501371	TUERCA FIJ.CUBRECAD.212827 DADO NUT	MUTTER ECROU	1 2 3 4 5 6 7 8	
21A		00031106000	ARANDELA PLANA D6 RONDELLA WASHER	SCHEIBE RONDELLE	1 2 3 4 5 6 7 8	
22A		00012061200	TORNILLO C/R.CR.6M100X12.NG VITE SCREW	SCHRAUBE VIS	1 2 3 4 5 6 7 8	
23A		0000A517011	BOMBILLA INTERMITENTES LAMPADA INDICATOR LIGHT BULB	BLINKLICHTLAMPE TUBE PHARES CLIGNOTANTS	1 2 3 4 5 6 7 8	
24A		00H01703301	CTO.FARO INTTE.TR.DR.ROUND SD INDIC.DIREZIONE TURN SIGNAL LIGHT REAR RH	BLINKR HINTEN GLIGNOTEURS AR. DROITE	1 2 3 4 5 6 7 8	
25A		00031106000	ARANDELA PLANA D6 RONDELLA PIATTA D6 MACINED FLAT WASHER D6	SCHEIBE D.6 ROND.PLATE MECANISEE D6	1 2 3 4 5 6 7 8	
26A		00H01703391	CTO.FARO INTTE.TR.IZQ.ROUND SD COMP.INDIC.DIREZIONE TURN SIGNAL LIGHT REAR LEFT	BLINKR HINTEN GLIGNOTEURSAR. GAUCHE	1 2 3 4 5 6 7 8	
27A		00D00900531	BRIDA UNECABLES NEGRA FLANGIA UNIONE CAVI BLACK CABLE TIE	KABELBINDER COLLIER	1 2 3 4 5 6 7 8	
28A		00000023060	TUERCA AUTOBLOC. 6M100 DADO NUT	MUTTER ECROU	1 2 3 4 5 6 7 8	

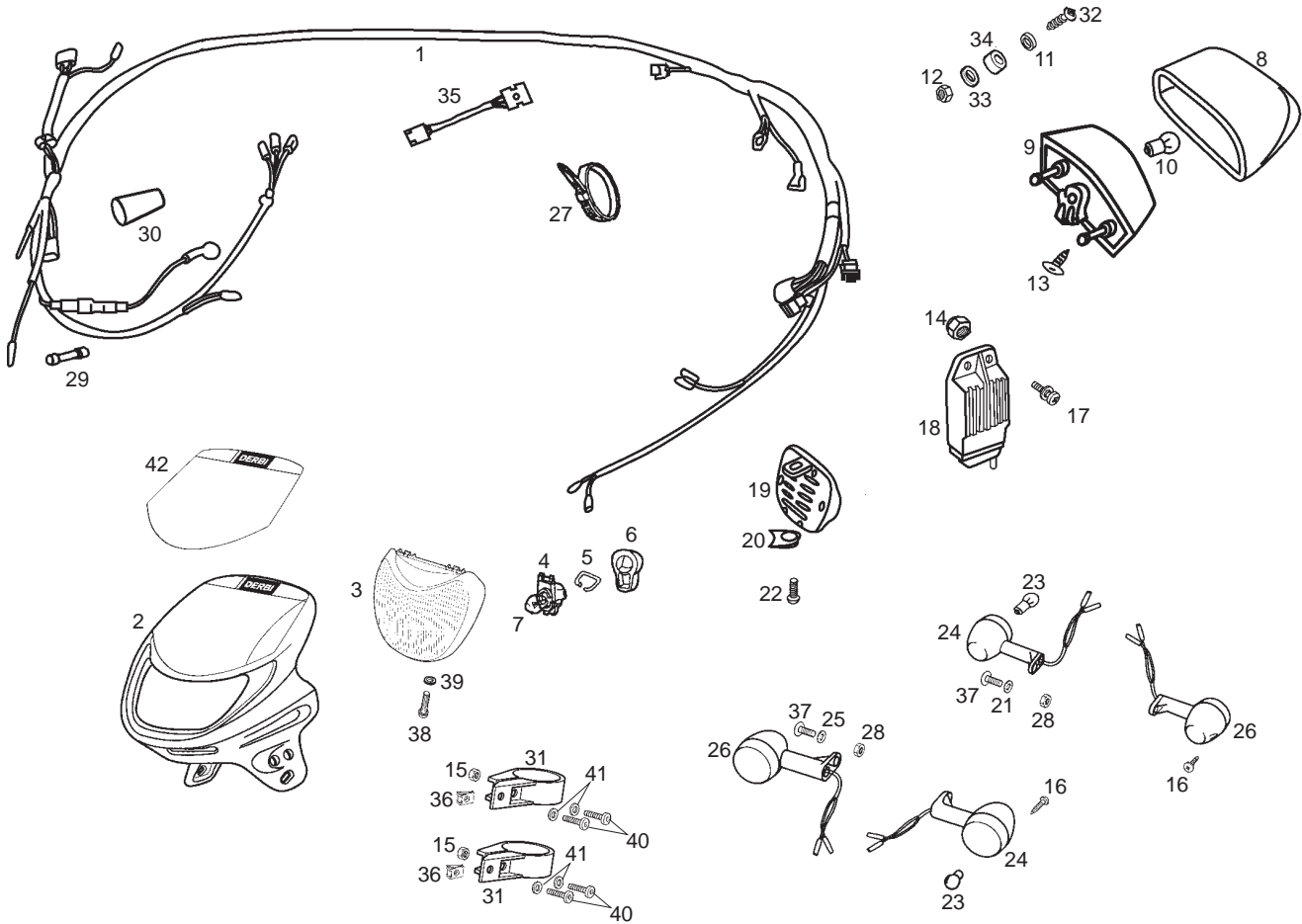


Fig.	Ver.	COD. KOD.	DESCRIPCIÓN DENOMINAZIONE NAME	BEZEICHNUNG DESIGNATION	MOD.	NOTAS NOTES NOTA MITSCHRIFT NOTES
29A		00G01000911	FUSIBLE 4AH FUSIBILE 4AO. FUSE 4AH.	FUSE, 4 A FUSIBLE 4 AH.	1 2 3 4 5 6 7 8	
30A		00H02300961	PROTECT. CONEX.INST.ELECT. PROTEZIONE WIRING HARNESS CONNECTOR	WIRING HARNESS CONNECTOR PROTE PROTECTION CONNEXIONS INSTALLA	1 2 3 4 5 6 7 8	
31A		00H04612841	BRIDA FIJACION CARCASA FLANGIA CLAMP	BEF.-SCHELLE ENTRETOISE	1 2 3 4 5 6 7 8	
32A		00004053500	TORN. C/ALLEN 5 X 35 VITE 5 X 35 BOLT, ALLEN 5X35	INBUSSCHRAUBE 5M80X50 VIS A TETE ALLEN 5M80X50	1 2 3 4 5 6 7 8	
33A		00H01002821	CASQ.FIJ.PILOTO TRAS. GHIERA BEARING	LAGER 6055 25.47.12 2RS COUSSINET 6005 25-47-12 2RS	1 2 3 4 5 6 7 8	
34A		00H06800461	SILENTB.FIJ.SOPTE.CARENADO SILENTBLOCK FISS.SUORTO FAIRING MOUNTING BRACKET SECUR	SILENTBLOCK SILENTBLOC	1 2 3 4 5 6 7 8	
35A		00H05700481	CTO.TEMPORIZADOR CHECK IND. TEMPORIZZATORE CHECK INP. TIMER CHECK INDICATOR	ZEITSCHALTER FAISCEAU COMPTEUR	1 2 3 4 5 6 7 8	
36A		00G04401462	TUERCA D5 DADO NUT	MUTTER ECROU	1 2 3 4 5 6 7 8	
37A		00008062000	TORNILLO C/RED ALLEN 6M100X20 VITE SCREW	SCHRAUBE VIS	1 2 3 4 5 6 7 8	
38A		00000004412	TORNILLO C/ALLEN 4M70X12 VITE SCREW	SCHRAUBE VIS	1 2 3 4 5 6 7 8	

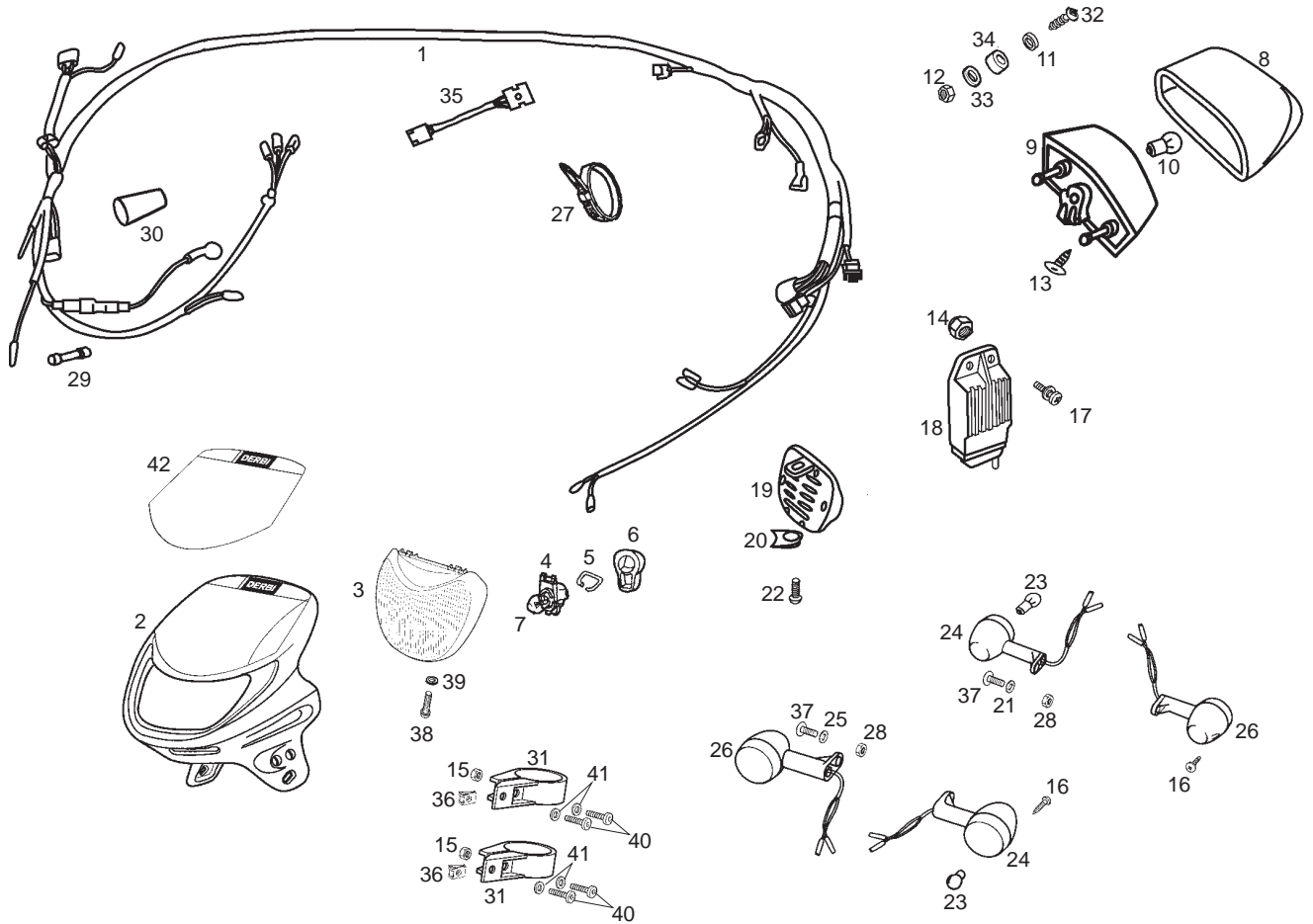


Fig.	Ver.	COD. KOD.	DESCRIPCIÓN DENOMINAZIONE NAME	BEZEICHNUNG DESIGNATION	MOD.	NOTAS NOTES NOTA MITSCHRIFT NOTES
39A		00H03800722	ARANDELA RONDELLA WASHER	SCHEIBE RONDELLE	1 2 3 4 5 6 7 8	
40A		00008051600	TORNILLO C/ESF ALL. 5M80X16 VITE SCREW	SCHRAUBE VIS	1 2 3 4 5 6 7 8	
41A		00000031050	ARANDELA PLANA D5 RONDELLA WASHER	SCHEIBE RONDELLE	1 2 3 4 5 6 7 8	
42A		00H01534233	CALCA CARCASA FARO ADESIVO PLACCA FRONTALE FORNT PLATE DECAL	CAUFKLEVER DECAL DE PLAQUE PHARE	1 2 3	
42B		00H01534231	CALCA CARCASA FARO ADESIVO PLACCA FRONTALE FORNT PLATE DECAL	CAUFKLEVER DECAL DE PLAQUE PHARE	5 6	4
42C		00H01534235	CALCA CARCASA FARO ADESIVO PLACCA FRONTALE FORNT PLATE DECAL	CAUFKLEVER DECAL DE PLAQUE PHARE	7 8	

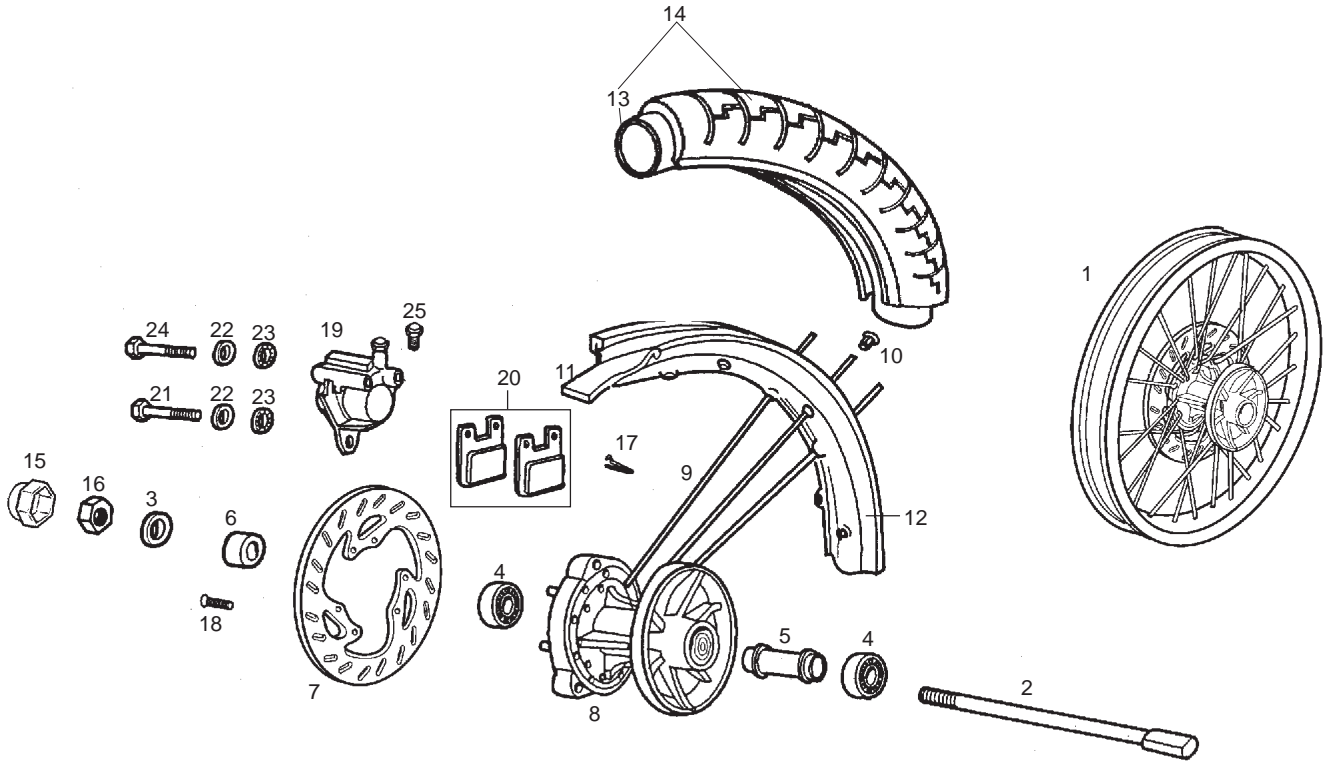


Fig.	Ver.	COD. KOD.	DESCRIPCIÓN DENOMINAZIONE NAME	BEZEICHNUNG DESIGNATION	MOD.	NOTAS NOTES NOTA MITSCHRIFT NOTES
01A		00H04714081	R-CTO RUEDA DT C/DISCO RUOTA ANT.C/DISEGNO FRONT WHEEL ASSEMBLY	VORDERRAED ROUE AV.COMPOSITE	1 2 3 4 5 6 7 8	
02A		00H01203272	EJE RUEDA DTRA. ASSE RUOTA ANTERIORE AXLE FRONT WHEEL	VORDERRADACHSE AXE DE ROUE AV.	1 2 3 4 5 6 7 8	
03A		00003112322	ARANDELA EJE RDA.12.25X20X2. RONDELLA ASSE RUOTA.12I25X20X2 FRONT WHEEL AXLE WASHER	SHEIBE RADACHSE 12.25X20X2 RONDELLE AXE ROUE 12I25X20X	1 2 3 4 5 6 7 8	
04A		00058120100	COJINETE 6201.C3.2RS.12.32.10 CUSCINETTO A SFERE 12X32X10 BEARING 6201 12X32X10	LAGER6201.C3.2RS.12.32.10 PALIER 6201.C3.2RSR.12.32.1	1 2 3 4 5 6 7 8	
05A		00D01300091	SCTO. SEP. COJINETES SEPARATORE CUSCINETTI SPACER	DISTANZHULSE ENTRETOISE	1 2 3 4 5 6 7 8	
06A		00008213182	CASQ. LADO PLATO CHIERA LATO PIATTO SIDEFLAGE SLEEVE	DISTANZHULSE ENTRETOISE	1 2 3 4 5 6 7 8	
07A		00H01208021	DISCO FRENO DELANTERO DISCO FRENO ANTERIORE FRONT BRAKE DISC	SCHEIBE NBREMSE VORN DISQUE FREIN AVANT	1 2 3 4 5 6 7 8	
08A		00H01205711	CTO. CARRETE DTRO. MOZZO ANT. FRONT HUB ASSY	RADNABE MOYEU	1 2 3 4 5 6 7 8	
09A		00H01303691	RADIO RUEDA DT RAGGIO RUOTA ANT. WHEEL ARM.	SPEICHE RAYON DE ROUE	1 2 3 4 5 6 7 8	
10A		00002212070	TUERCA RADIO. DADO NUT	MUTTER ECROU	1 2 3 4 5 6 7 8	
11A		00D01301401	PROTECTOR CAMARA PROTECTOR CAMERA RUOTA ANT.21 RIM STRIP	FELGELBAND PROTECTEUR DE CHAMBRE A AIR	1 2 3 4 5 6 7 8	

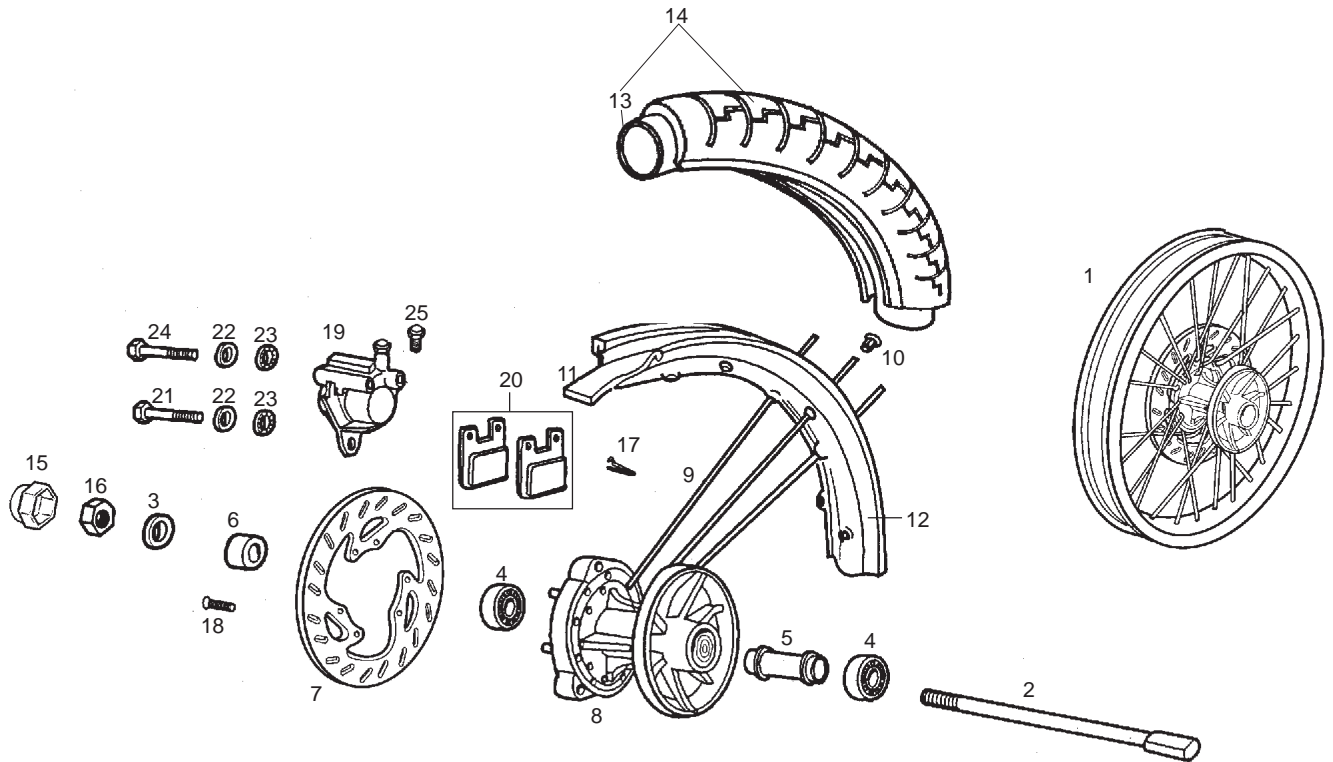


Fig.	Ver.	COD. KOD.	DESCRIPCIÓN DENOMINAZIONE NAME	BEZEICHUNG DESIGNATION	MOD.	NOTAS NOTES NOTA MITSCHRIFT NOTES
12A		00H01211081	R-LLANTA DT 2,5X17" CERCHIONE RUOTA ANT. FRONT WHEEL RIM	VORDERRADFELGE JANTE AV.	1 2 3 4 5 6 7 8	
13A		00H01207101	CAMARA CAMERA DIARIA FRONT TUBE	SCHLAUCH VORNE CHAMBRE A AIR	1 2 3 4 5 6 7 8	
14A		00H01211111	CTO. CUBIERTA DT 17" COPERTORE ANT. FRONT CASING	REIFEN BORN PNEU AV.	1 2 3 4 5 6 7 8	
15A		00H01202331	PROTECTOR TUERCA DADO NUT	MUTTER ECROU	1 2 3 4 5 6 7 8	
16A		00232120032	TUERCA EXAG.12M150 DADO NUT	MUTTER ECROU	1 2 3 4 5 6 7 8	
17A		00H01301831	MUELLE FIJ. PASTILLA FRENO TRAS. MOLLA FISSAGGIO PASTIGLIA FREN REAR BRAKE PAD SECUR SPRING	FEDER RESSORT FIXATION PLAQUETTE	1 2 3 4 5 6 7 8	
18A		00H02402282	TORNILLO FIJ.DISCO FRENO VITE SCREW	SCHRAUBE VIS	1 2 3 4 5 6 7 8	
19A		00H01202193	R-CTO PINZA FRENO DT. GANASCIA FRENO ANTER LEFT-HAND FRONT CLIP ASSY	BREMSZANGE ENS.ETRIER DE FREIN	1 2 3 4 5 6 7 8	
20A		00G04700141	R-JUEGO PASTILLAS FRENO PASTIGLIE FRENO POSTERIORE FRONT BRAKE PAD	BREMSBELAG VORNE PLAQUETTE DE FREIN	1 2 3 4 5 6 7 8	
21A		00022083021	TORNILLO 8M125X30 VITE SCREW	SCHRAUBE VIS	1 2 3 4 5 6 7 8	
22A		00402080001	ARANDELA PLANA MECANIZ.D.8 RONDELLA WASHER	SCHEIBE RONDELLE	1 2 3 4 5 6 7 8	

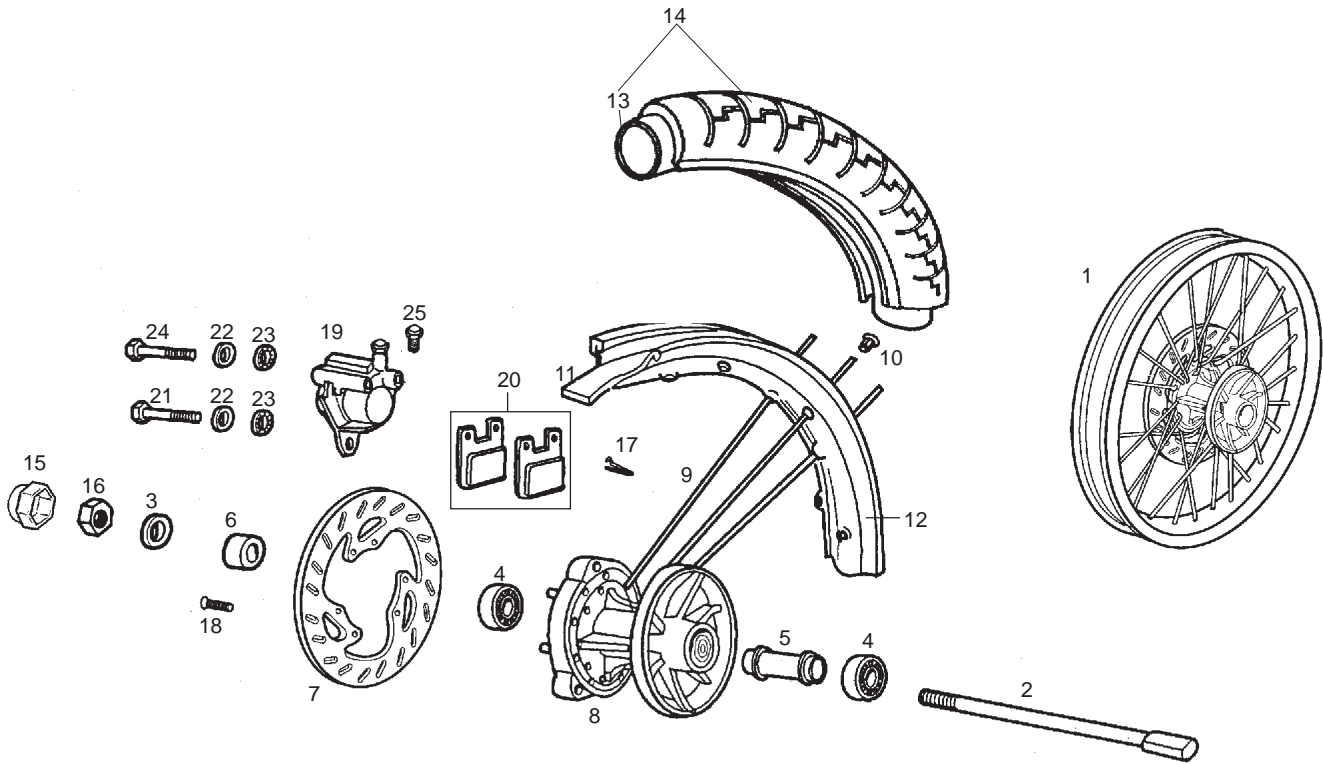


Fig.	Ver.	COD. KOD.	DESCRIPCIÓN DENOMINAZIONE NAME	BEZEICHNUNG DESIGNATION	MOD.	NOTAS NOTES NOTA MITSCHRIFT NOTES
23A		00034000802	ARANDELA ESTRELL.INT.D8 RONDELLA WASHER	SCHEIBE RONDELLE	1 2 3 4 5 6 7 8	
24A		00031086022	TORNILLO C/EX. 8M125X60 VITE SCREW	SCHRAUBE VIS	1 2 3 4 5 6 7 8	
25A		00F04700121	R-CTO. PURGADOR PINZA FRENO DT. R-SPURGO GANASCIA FR FRONT BRAKE BLEED CLIP ASSY	ABLASSHAHN R-ENS.PURGEUR PINCE FREINA	1 2 3 4 5 6 7 8	

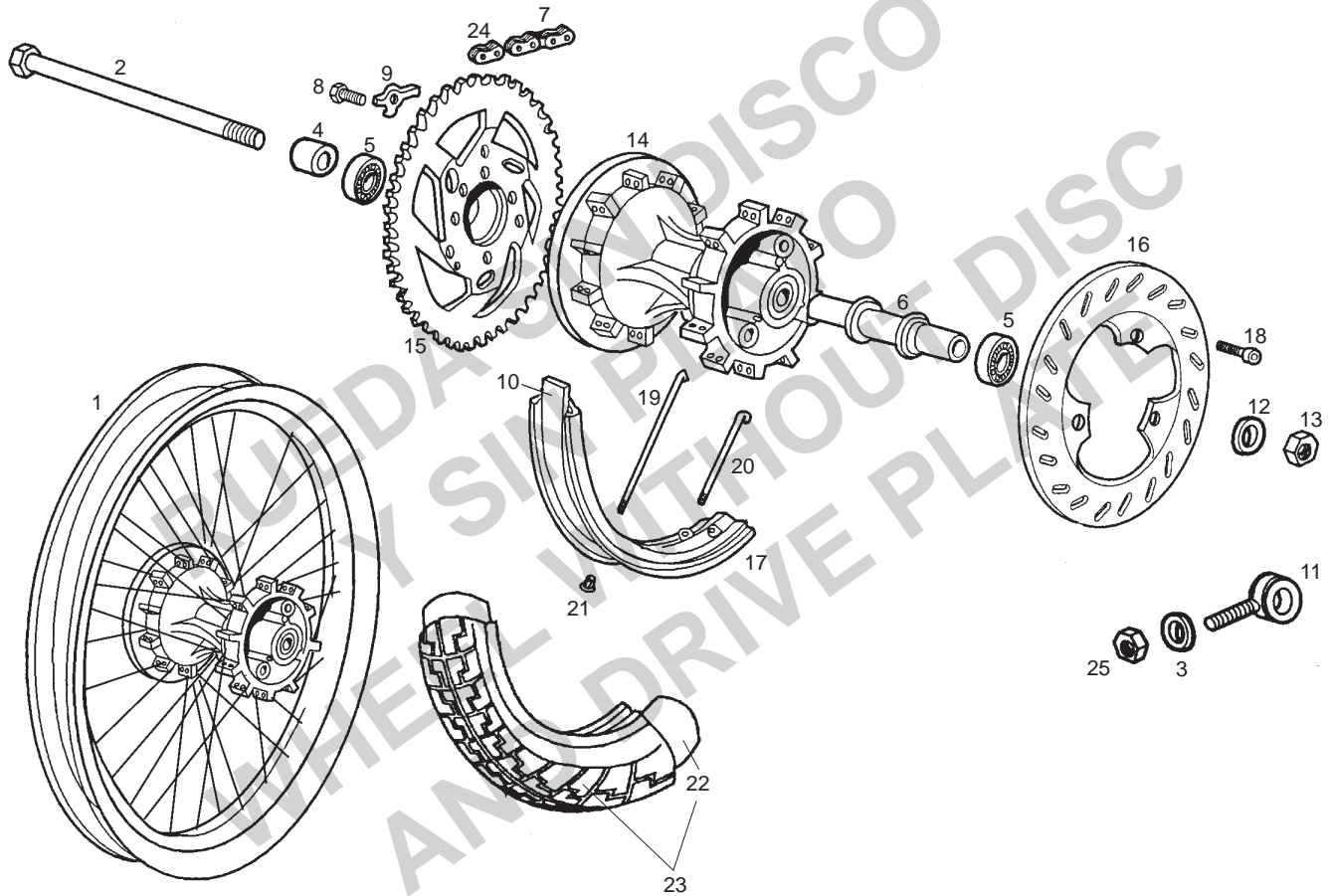


Fig.	Ver.	COD. KOD.	DESCRIPCIÓN DENOMINAZIONE NAME	BEZEICHUNG DESIGNATION	MOD.	NOTAS NOTES NOTA MITSCHRIFT NOTES
01A		00H02405332	R-CTO.LLANTA TR.C/CAR3,50X17MATE COMP.RUOTA POST. REAR WHEEL ASSEMBLY	HINTERRAD ROUE ARRIERE COMPLETE	1 2 3 4 5 6 7 8	
02A		00H01304202	CTO. EJE RDA. TRAS. SUBASSE RUOTA POSTER REAR WHEEL AXLE SUB-ASSEMBLY G	HINTERRADACHSE AXE ROUE ARRIE	1 2 3 4 5 6 7 8	
03A		00402060001	ARANDELA D.6 RONDELLA WASHER	SCHEIBE RONDELLE	1 2 3 4 5 6 7 8	
04A		00001113192	CASQ. GRUESO LADO PLATO GHIERA LATO PIATTO SPACER	DISTANZHULSE ENTRETOISE	1 2 3 4 5 6 7 8	
05A		00058120100	COJINETE 6201.C3.2RS.12.32.10 CUSCINETTO A SFERE 12X32X10 BEARING 6201 12X32X10	LAGER6201.C3.2RS.12.32.10 PALIER 6201.C3.2RSR.12.32.1	1 2 3 4 5 6 7 8	
06A		00H01304091	SCTO.SEP.COJTES.TRAS SEPARATORE COUSCIN. SPACER REAR HUB BEARING	DISTANZHULSE SEPARATEUR ROULEMENTS	1 2 3 4 5 6 7 8	
07A		00H01502201	CADENA SECUNDARIA 130 P CATENA SEZ. TRANSMISSION CHAIN	KETTE CHAINE TRANSMISSION	1 2 4 5 7	
07B		00H01506201	CADENA SECUNDARIA 136 P CATENA SEZ. TRANSMISSION CHAIN	KETTE CHAINE TRANSMISSION	3 6 8	
08A		00002182000	TORNILLO C/EXAG.8M125X20.8.8 VITE SCREW	SCHRAUBE VIS	1 2 3 4 5 6 7 8	
09A		00H01302052	PREC.TORNILLO PLATO ARRAST. VITE SCREW	SCHRAUBE VIS	1 2 3 4 5 6 7 8	
10A		00D01303401	PROTECTOR CAMARA PROTEZIONE CAMERA RUOTA POSTER RIM STRIP	FELGELBAND PROTECTEUR DE CHAMBRE A AIR	1 2 3 4 5 6 7 8	

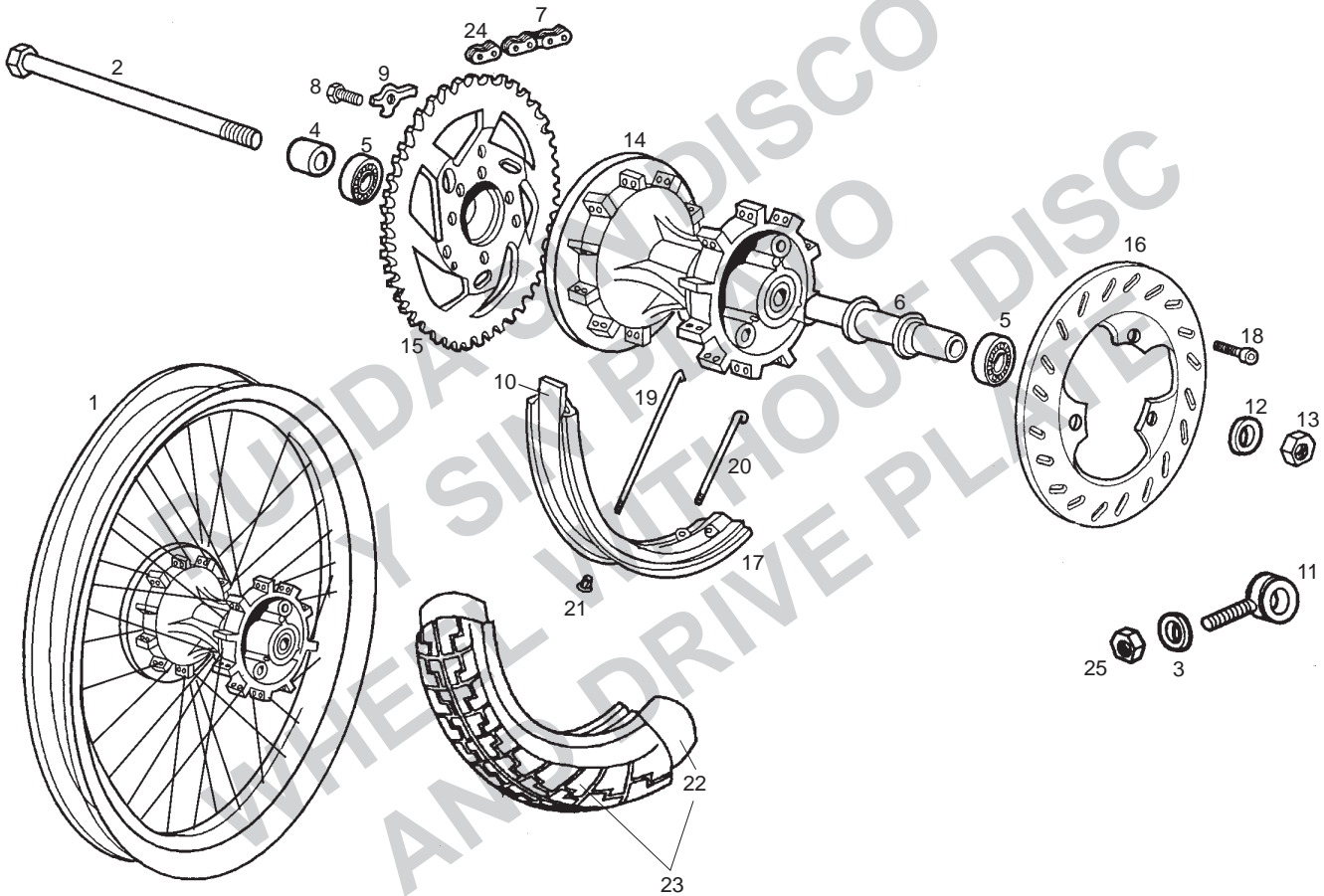


Fig.	Ver.	COD. KOD.	DESCRIPCIÓN DENOMINAZIONE NAME	BEZEICHNUNG DESIGNATION	MOD.	NOTAS NOTES NOTA MITSCHRIFT NOTES
11A		00H01302172	SCTO.TENSOR RUEDA SUBTENSORE RUOTA SEN ADJUSTER, REAR WHEEL	HINTERRADSPANNER TENDEUR DE ROUE ENSEMBLE	1 2 3 4 5 6 7 8	
12A		00F01210312	ARANDELA EJE RDA.DTRA.TOPE REENV. RONDELLA WASHER	SCHEIBE RONDELLE	1 2 3 4 5 6 7 8	
13A		00262120032	TUERCA AUTOBLOC. 12M150 DADO NUT	MUTTER ECROU	1 2 3 4 5 6 7 8	
14A		00H01307821	CTO.CARRETE TR. MOZZO POST. REAR COIL	RADNABE MOYEU ARRIERE	1 2 3 4 5 6 7 8	
15A		00H01317031	PLATO ARRASTRE Z-53 PIATTO TRAINO DRIVE PLATE	MITNEHMERSCHEIBE COURONNE ARRIERE	1 2 4 5 7	
15B		00H01326031	PLATO ARRASTRE Z-65 PIATTO TRAINO DRIVE PLATE	MITNEHMERSCHEIBE COURONNE ARRIERE	3 6 8	
16A		00H01305531	DISCO FRENO TR. DISCO FRENO POSTERIORE REAR BRAKE DISC	BREMSSCHEIBE HINTEN DISQUE DE FREIN ARRIERE	1 2 3 4 5 6 7 8	
17A		00H01306351	LLANTA RUEDA TRASERA 3,5X17" CERCHIONE POSTERIORE MAGWHEEL REAR	HINTERRADFELGE JANTE ARRIERE NUE.	1 2 3 4 5 6 7 8	
18A		00H02401282	TORNILLO FIJ.DISCO FR.TR. VITE SCREW	SCHRAUBE VIS	1 2 3 4 5 6 7 8	
19A		00H01301731	RADIO TRASERO LADO PLATO RADIO POST.LATO PIATTO REAR INNER SPOKE	SPEICHE RAYON ROUE ARRIERE INT.	1 2 3 4 5 6 7 8	
20A		00H01303691	RADIO TRASERO LADO DISCO RADIO POST. DISCO REAR SHORT INNER SPOKE	SPEICHE RAYON ROUE AR INT.COURT	1 2 3 4 5 6 7 8	

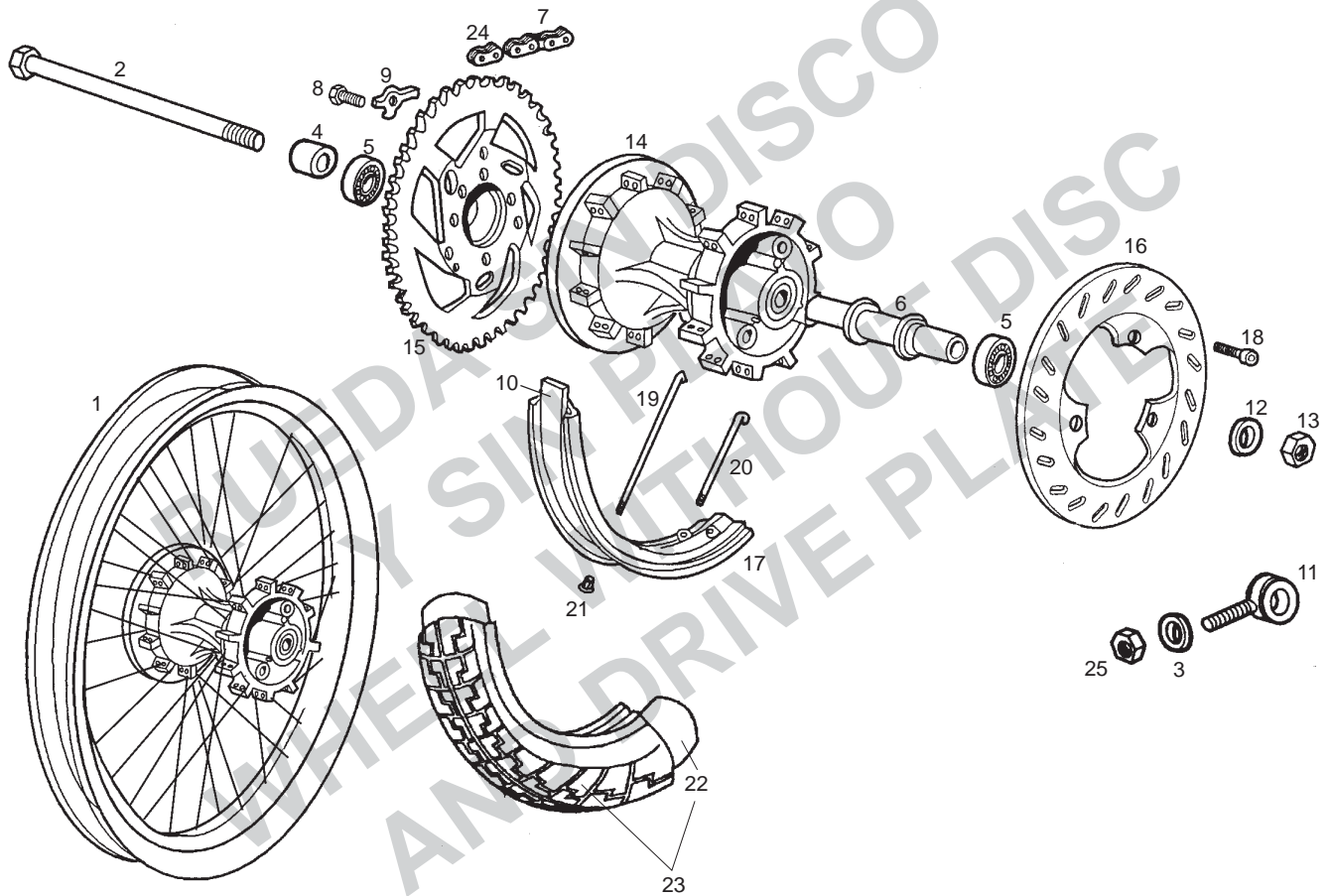


Fig.	Ver.	COD. KOD.	DESCRIPCIÓN DENOMINAZIONE NAME	BEZEICHNUNG DESIGNATION	MOD.	NOTAS NOTES NOTA MITSCHRIFT NOTES
21A		00002212070	TUERCA RADIO. DADO NUT	MUTTER ECROU	1 2 3 4 5 6 7 8	
22A		00H01309361	CAMARA CAMERA RUOTA POST. REAR WHEEL CAMBER	SCHLAUCH CHAMRE A AIR ARR.	1 2 3 4 5 6 7 8	
23A		00H01311321	CTO. CUBIERTA TRASERA 17" COPERTONE POST. REAR CASING	REIFEB HINTEN PNEU ARR.	1 2 3 4 5 6 7 8	
24A		00H01501212	R-ENGANCHE DORAD.CADENA SEC. AGGANCIAMENTO CATENA SICUREZZA MASTER LINK	KETTENSHLOSS ATTACHE RAPIDE	1 2 3 4 5 6 7 8	
25A		00000023060	TUERCA AUTOBLOC. 6M100 DADO NUT	MUTTER ECROU	1 2 3 4 5 6 7 8	

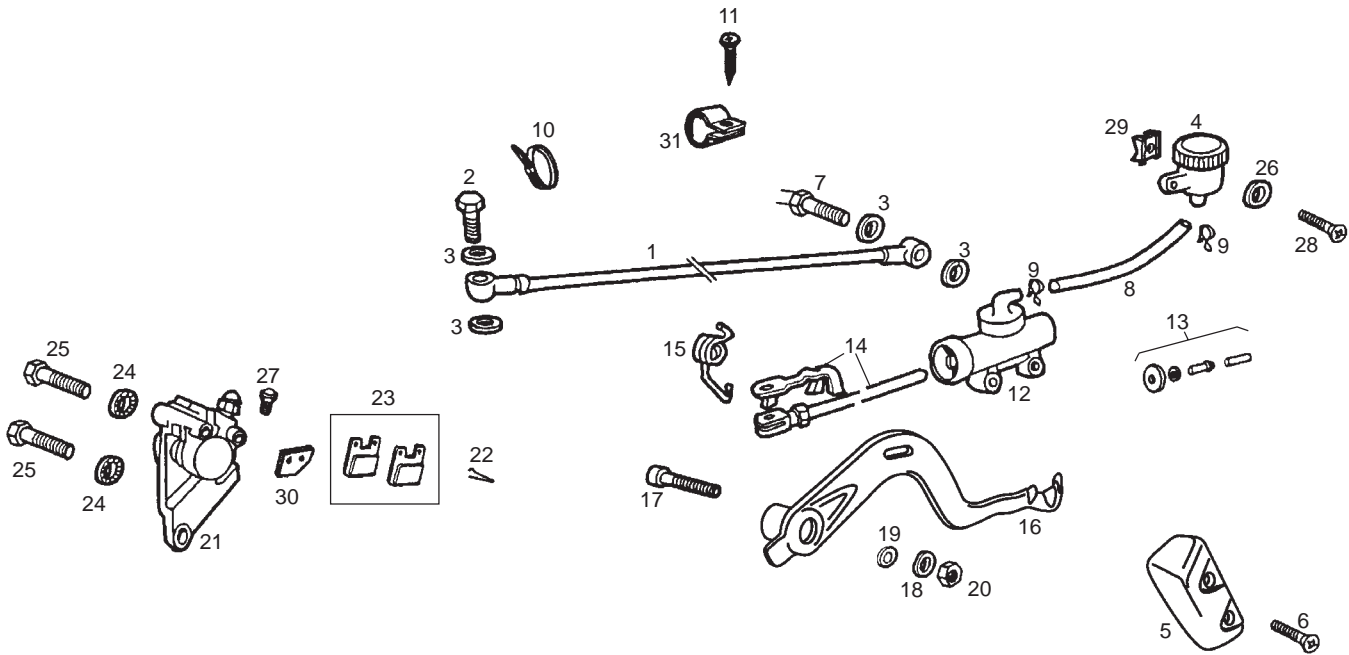


Fig.	Ver.	COD. KOD.	DESCRIPCIÓN DENOMINAZIONE NAME	BEZEICHNUNG DESIGNATION	MOD.	NOTAS NOTES NOTA MITSCHRIFT NOTES
01A		00H01109081	TUBO LIQ. FR. TRAS. TUBO LIQUIDO FRENO BRAKE ROD	BREMSSCHLAUCH TIGE DE FREIN	1 2 3 4 5 6 7 8	
02A		00006309260	RACORD TUBO HIDRAULICO RACCORDO TUBO IDRAULICO HYDRAULIC TUBE CONNECTOR	STUTZEN HIDRAULIKLEITUNG RACCORD TUYAU HYDRAULIQUE	1 2 3 4 5 6 7 8	
03A		00006321040	ARANDELA JUNTA RACORD RONDELLA WASHER	SCHEIBE RONDELLE	1 2 3 4 5 6 7 8	
04A		00D01100201	CTO. DPSTO. LIQ. FRENO TRAS. SERBATOIO LIQUIDO FR FLUID TUBE TANK	BEHALTER RESERVOIR FLUID TUBE	1 2 3 4 5 6 7 8	
05A		00H01101731	PROTECT.BOMBA.LIQ.FR.TR.2000 PROTEZIONE FRENO POSTERIORE REAR BRAKE, PROTECTOR	ABDECKUNG PROTECTEUR ENS.COMMANDE FRE	1 2 3 4 5 6 7 8	
06A		00G01503701	TORNILLO FIJ.ESC.FRONTAL HUNTER 5.6 VITE SCREW	SCHRAUBE VIS	1 2 3 4 5 6 7 8	
07A		00H01001701	CTO. INTERRUPTOR STOP COMP.INTERUTTORE FANALINO SWITCH, STOP LIGHT	STOPCHALTER VO. INTERRUPTEUR COMMANDE STOP	1 2 3 4 5 6 7 8	
08A		00H01101211	TUBO DPSTO. A BOMBA FRENO TRAS. TUBO SERBATOIO A POMPA FRENO P REAR FLUID TUBE	SCHLAUCH FLEXIBLE DE FREIN ARRIERE	1 2 3 4 5 6 7 8	
09A		00H03700131	ABRAZ. ELAST. 818-913 RONDELLA STELLA INTERIORE ELASTIC CLAMP	SCHELLE ELAST. COLLIER ELASTIQUE	1 2 3 4 5 6 7 8	
10A		00F00900531	BRIDA UNE CABLES NEGRA FLANGIA UNIONE CAVI BLACK CABLE TIE	KABELBINDER COLLIER	1 2 3 4 5 6 7 8	
11A		00011141300	TORNILLO AUT.C/CR.NG.4,8X13 VITE SCREW	SCHRAUBE VIS	1 2 3 4 5 6 7 8	

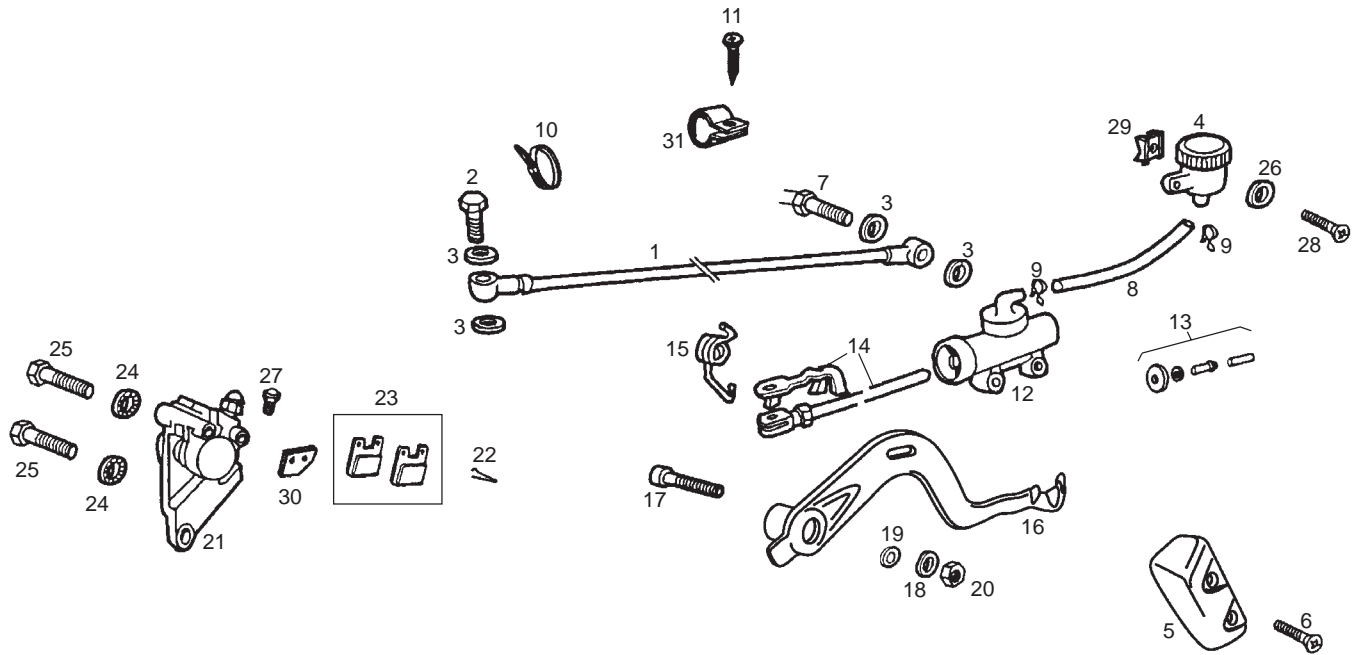


Fig.	Ver.	COD. KOD.	DESCRIPCIÓN DENOMINAZIONE NAME	BEZEICHUNG DESIGNATION	MOD.	NOTAS NOTES NOTA MITSCHRIFT NOTES
12A		00H01102181	CTO. BOMBA FRENO TRASERO FRENO POSTERIORE REAR BRAKE CONTROL ASSY	REAR BRAKE CONTROL ASSY. ENSEMBLE COMMANDE FREIN ARRIER	1 2 3 4 5 6 7 8	
13A		00H01100461	R-CTO. KIT BOMBA FR. TRAS. R-COMP. KIT POMPA FR. POSTER. REAR KIT CYLINDER ASSY	REP.-SATZ BREMSZYL. HINTEN D ENSEM. KIT POMPE FREIN ARR.	1 2 3 4 5 6 7 8	
14A		00H01103611	CTO. VARILLA BOMBA FR. TR./2000 COMP. ASTA POMPA FRENO REAR BRAKE ROD	BREMSSTANGE TIGE DE FREIN ARRIERE	1 2 3 4 5 6 7 8	
15A		00H01102072	MUELLE PEDAL FR. TRAS. MOLLA PEDALE FRENO POSTERIORE SPRING PEDAL BRAKE	FEDER RESSORT PEDALE FREIN	1 2 3 4 5 6 7 8	
16A		00H01120021	PALANCA FRENO PEDALE FRENO BRAKE PEDAL	FUSSBREMSHEBEL PEDALE DE FREIN AR.	1 2 3 4 5 6 7 8	
17A		00H01100172	TORN. FIJ. PALANCA FR. TRAS. VITE PEDALE FRENO BRAKE PEDAL BRAKE	INBUSSCHRAUBE FUSSBREMSHEBEL BOULON PEDALE DE FREIN	1 2 3 4 5 6 7 8	
18A		00402080001	ARANDELA PLANA MECANIZ. D.8 RONDELLA WASHER	SCHEIBE RONDELLE	1 2 3 4 5 6 7 8	
19A		00005527540	ARANDELA REG. TOR. PAL. FIJ. MARCH RONDELLA WASHER	SCHEIBE RONDELLE	1 2 3 4 5 6 7 8	
20A		00023108000	TUERCA AUTOBLOC. 8M125 DADO NUT	MUTTER ECROU	1 2 3 4 5 6 7 8	
21A		00H01104583	R-CTO PINZA FRENO TRASERA GANASCI A POSTERIORE REAR CLIP ASSEMBLY	BREMSZANGE HINTEN ETRIER FREIN ARR.	1 2 3 4 5 6 7 8	
22A		00H01301831	MUELLE FIJ. PASTILLA FR. TRAS. MOLLA FISSAGGIO PASTIGLIA FREN REAR BRAKE PAD SECUR SPR.	FEDER RESSORT FIXATION PLAQUETTE	1 2 3 4 5 6 7 8	

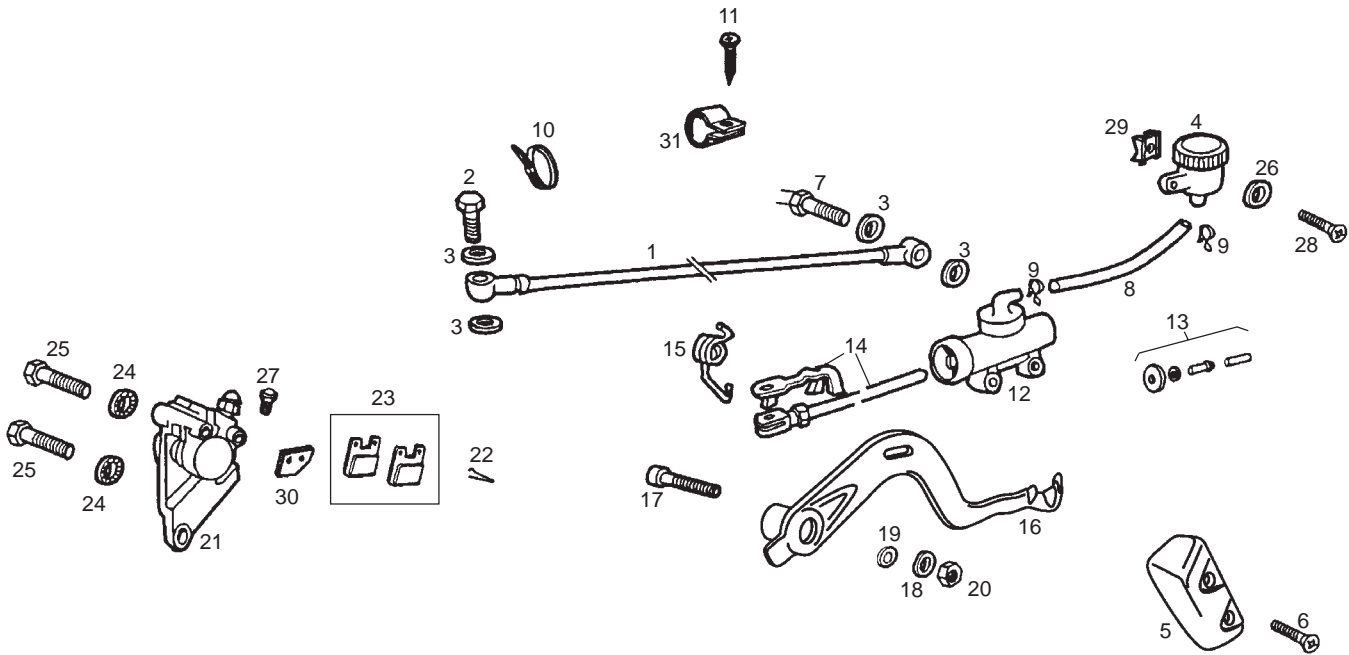


Fig.	Ver.	COD. KOD.	DESCRIPCIÓN DENOMINAZIONE NAME	BEZEICHNUNG DESIGNATION	MOD.	NOTAS NOTES NOTA MITSCHRIFT NOTES
23A		00G04700141	R-JUEGO PAST. FR. DT/TR. PASTIGLIE FRENO POSTERIORE FDS FRONT BRAKE PAD	BREMSBELAG VORNE PLAQUETTE DE FREIN	1 2 3 4 5 6 7 8	
24A		00034000802	ARANDELA ESTRELL.INT.D8 RONDELLA WASHER	SCHEIBE RONDELLE	1 2 3 4 5 6 7 8	
25A		00000002840	TORNILLO C/EXAG. 8M125X40 VITE SCREW	SCHRAUBE VIS	1 2 3 4 5 6 7 8	
26A		00D02600631	ARANDELA TOPE MUELLE EMBRAGUE RONDELLA WASHER	SCHEIBE RONDELLE	1 2 3 4 5 6 7 8	
27A		00F04700121	R-CTO. PURGADOR PINZA FRENO SPURGO PINZA FRENO POST. FRONT BRAKE BLEED CLIP ASSY	ABLASSHAHN R-ENS.PURGEUR PINCE FREIN A	1 2 3 4 5 6 7 8	
28A		00012151500	TORNILLO C/RED.ALL.5M100X16 VITE SCREW	SCHRAUBE VIS	1 2 3 4 5 6 7 8	
29A		00G04401462	TUERCA FIJ.CUBRECAD.212827 DADO NUT	MUTTER ECROU	1 2 3 4 5 6 7 8	
30A		00G04700131	R-PLACA INTERM. PASTILLA FRENO PIASTRA INTERMEDIA PASTIGLIA INTERMEDIATE PLATE, BRAKE PAD	SWISCHENPLATTE DES BREMSBE CALE DE PLAQU.DE FREIN ANTI	1 2 3 4 5 6 7 8	
31A		00H01501811	BRIDA FIJ.CABLE FR.TR. FLANGIA CLAMP	BEF.-SCHELLE ENTRETOISE	1 2 3 4 5 6 7 8	

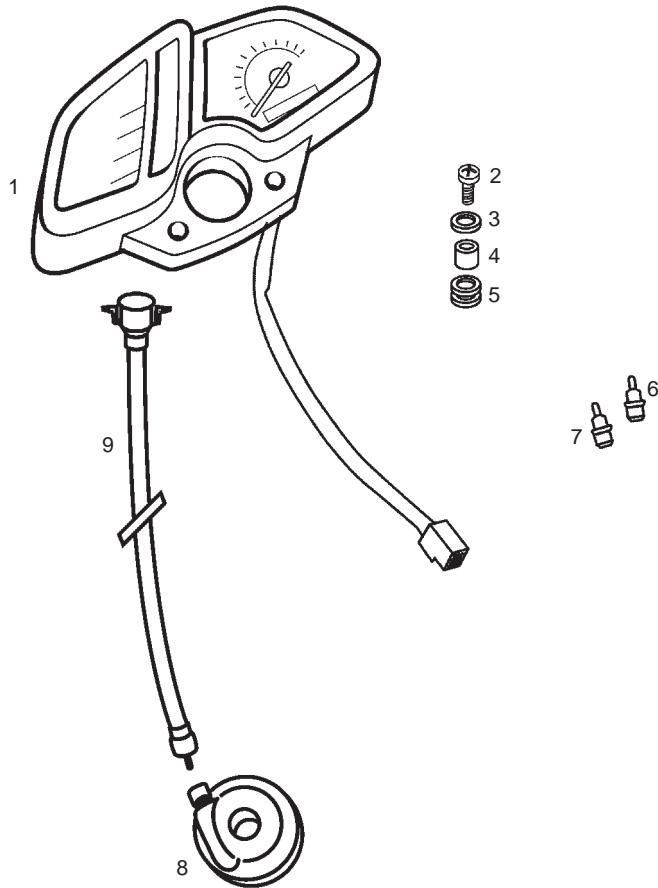


Fig.	Ver.	COD. KOD.	DESCRIPCIÓN DENOMINAZIONE NAME	BEZEICHUNG DESIGNATION	MOD.	NOTAS NOTES NOTA MITSCHRIFT NOTES
01A		00H01625521	CTO. TABLIER (KM/H) CRUSCOTTO (KM/H) DASHASSY (KM/H)	INSTRUMENTERHALTER (KM/H) BOITIER TABLEAU BORD (KM/H)	1 2 3 4 5 6 7 8	
01B		00H01628521	CTO. TABLIER (MILES/H) CRUSCOTTO (MILE/H) DASHASSY (MILE/H)	INSTRUMENTERHALTER (MILE/H) BOITIER TABLEAU BORD (MILE/H)	1 4	ENGLAND
02A		00012152000	TORNILLO C/RED.CRUZ 5M80X20 VITE SCREW	SCHRAUBE VIS	1 2 3 4 5 6 7 8	
03A		00454050001	ARANDELA D9021 15/5, 3X1,5 RONDELLA WASHER	SCHEIBE RONDELLE	1 2 3 4 5 6 7 8	
04A		00H01600911	CASQ. SILENTBLOC FIJ. TABLIER GHIERA SILENT.FISS.CRUSCOT.FE BUSHING	FUHRUNGSBUCHSE GABELSCHENK ENTRETOISE	1 2 3 4 5 6 7 8	
05A		00D01500021	PASACABL. INST.GUARD.TR.FDS/89 PORTACAVI IST. FARAFANGO POST. GROMMET	GUMMI CAOUTCHOUC PASSE-CABLE	1 2 3 4 5 6 7 8	
06A		00G01602581	R-CTO. PORTALAMP/LAMP. 12V 1,2 W PORTALAMPADE BULB HOLDER AND 12V 1,2W BULB	LAMPENHALTER R-PORTE-LAMPES	1 2 3 4 5 6 7 8	
07A		00G01601581	R-CTO. PORTALAMP/LAMP. 12V 2 W PORTALAMPADE BULB HOLDER AND 12V 2W BULB	LAMPENHALTER R-PORTE-LAMPES	1 2 3 4 5 6 7 8	
08A		00G01607051	CTO. REENVIO. RINVIO RETURN UNIT.	RETURN UNIT. RENOI DE ROUE	1 2 3 4 5 6 7 8	
09A		00H01617021	CTO. CABLE-FUNDA CUENTA KM CAVO-GUAINA CONTACHI CABLE, SPEEDOMETER DRIVE	TACHOWELLE ENSEMB.CABLE-GAINE COMPTEUR	1 2 3 4 5 6 7 8	

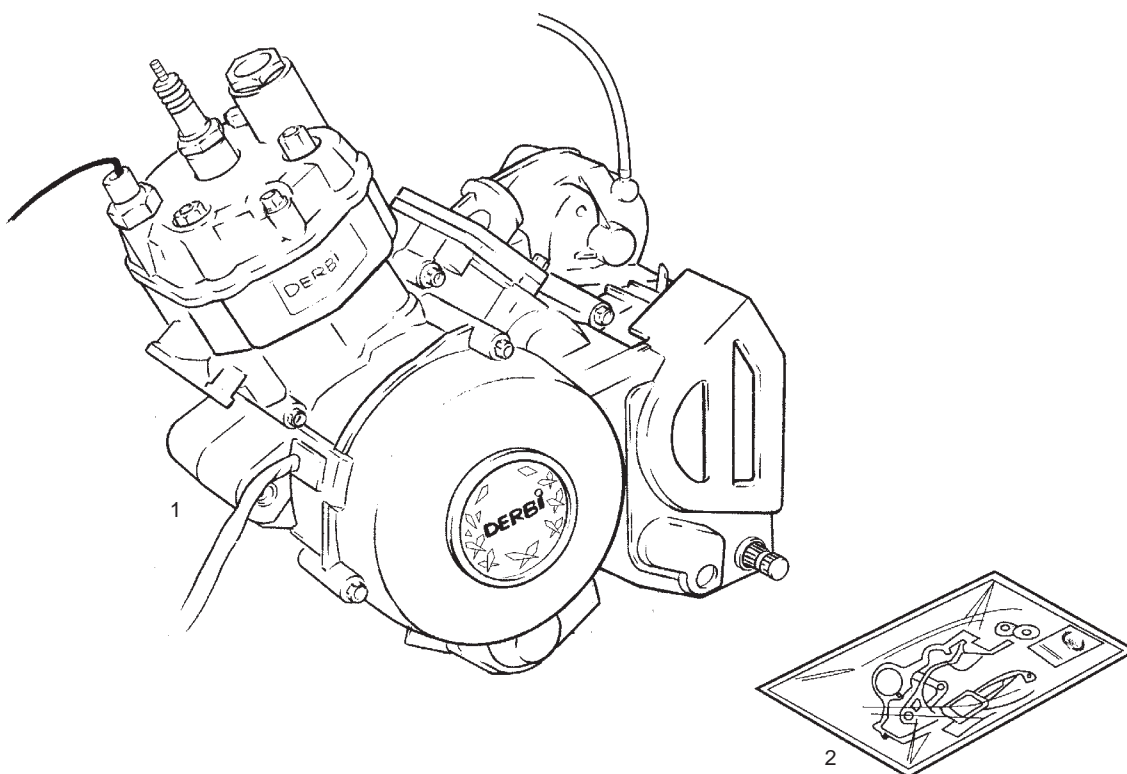


Fig.	Ver.	COD. KOD.	DESCRIPCIÓN DENOMINAZIONE NAME	BEZEICHNUNG DESIGNATION	MOD.	NOTAS NOTES NOTA MITSCHRIFT NOTES
01A		00H99927E302	MOTOR 50cc 6V E2 SENDA SM MOTORE ENGINE	MOTOR MOTEUR	1 2 4 5 7	
01B		00H99927V400	MOTOR 50cc 6V E2 SENDA SCANDINAVIA MOTORE ENGINE	MOTOR MOTEUR	3 6 8	

ACCESORIOS OPCIONALES / ACCESORI OPCIONALE / OPTIONAL ACCESSORIES / WERKZEUG / OTILS FOURNIS

02A		00H05205481	R-JUEGO JUNTAS R-GUARNIZIONI GASKET ASSY	DICHTSATZ POCHETTE DE JOINTS	1 2 3 4 5 6 7 8	
-----	--	-------------	--	---------------------------------	--------------------	--

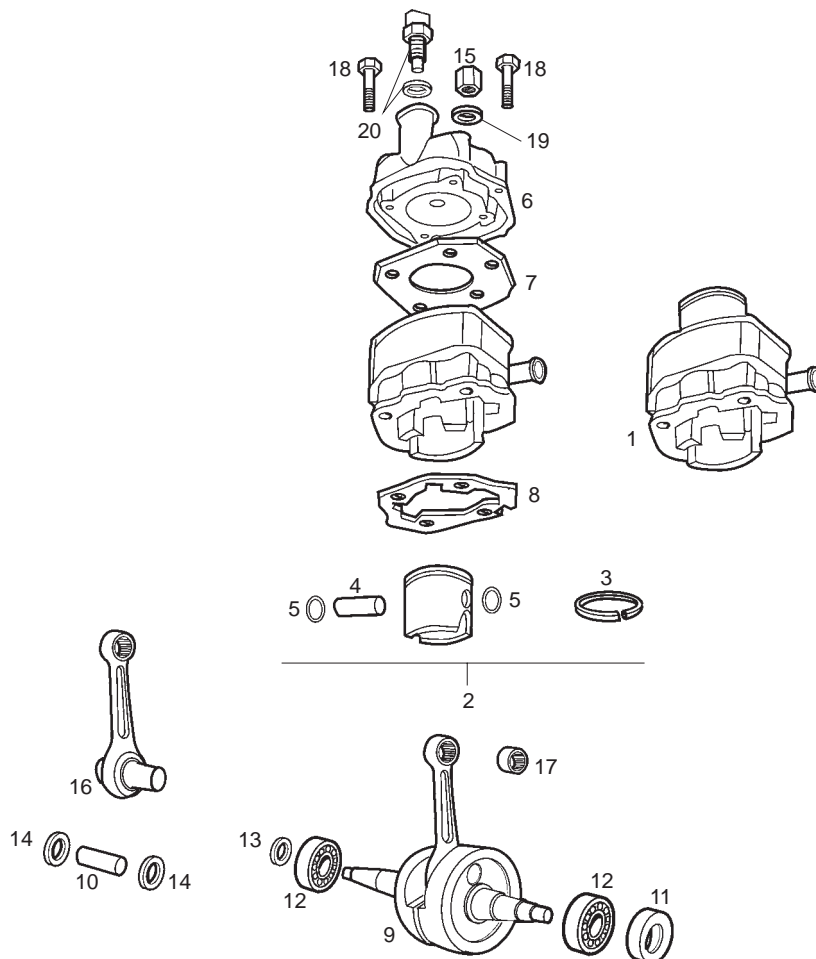


Fig.	Ver.	COD. KOD.	DESCRIPCIÓN DENOMINAZIONE NAME	BEZEICHUNG DESIGNATION	MOD.	NOTAS NOTES NOTA MITSCHRIFT NOTES
01A		00H05007123	R-CTO.CILIN.-PISTON COMP.CILINDRO PISTONE CYLINDER PISTON ASSEMBLY	ZYLINDER UND KOLBEN CYLINDRE ET PISTON COMPLET	1 2 3 4 5 6 7 8	
02A		00H02542091	CTO.PISTON (A) PISTONE (A) PISTON (A)	KOLBEN KOMPL.(A) PISTON-COMPLET (A)	1 2 3 4 5 6 7 8	
02B		00H02552091	CTO.PISTON. (B) PISTONE (B) PISTON (B)	KOLBEN KOMPL. (B) PISTON-COMPLET (B)	1 2 3 4 5 6 7 8	
02C		00H02562091	CTO.PISTON. (C) PISTONE (C) PISTON (C)	KOLBEN KOMPL. (C) PISTON-COMPLET (C)	1 2 3 4 5 6 7 8	
02D		00H02572091	CTO.PISTON. (D) PISTONE (D) PISTON (D)	KOLBEN KOMPL. (D) PISTON-COMPLET (D)	1 2 3 4 5 6 7 8	
03A		00H02502111	R-ARO PISTON.SENDA (ASSO) R-SEGMENTO PISTONE PISTON RING	KOLBENDICHTRING SEGMENT DE PISTON	1 2 3 4 5 6 7 8	
04A		00H02502121	R-BULON PISTON 6V.(ASSO) SPINOTTO PISTONE B12/8X30. PISTON PIN	KOLBENBOLZEN AXE PISTON	1 2 3 4 5 6 7 8	
05A		00H02501131	R-ANILLO BULON.6V-(ASSO) R-SEGMENTO SPINOTTO D73130PN1 CIRCLIP, PISTON PIN	SICHERUNGSRING CLIPS AXE PISTON	1 2 3 4 5 6 7 8	
06A		00H02512013	CULATA TESTATA CYLINDER HEAD	ZYLINDERKOPF CULASSE	1 2 3 4 5 6 7 8	
07A		00H02505021	JUNTA CULATA. GUARNIZIONE TESTATA GASKET CYLINDER HEAD	ZYLINDERKOPFDICHTUNG JOINT DE CULASSE	1 2 3 4 5 6 7 8	

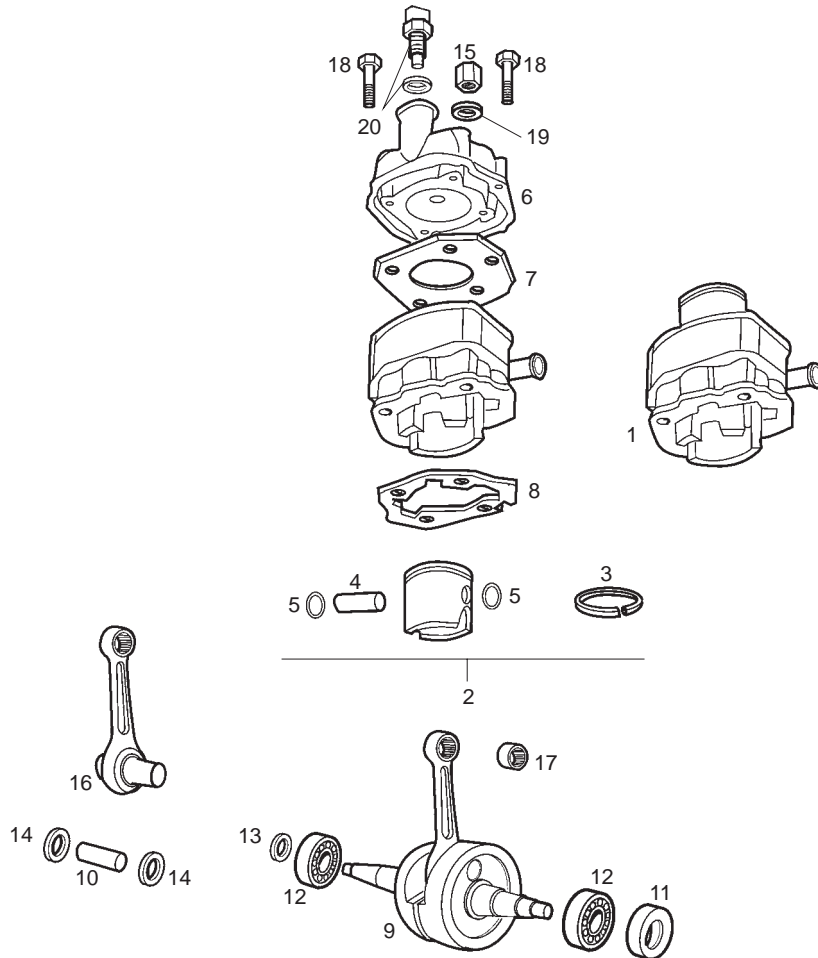


Fig.	Ver.	COD. KOD.	DESCRIPCIÓN DENOMINAZIONE NAME	BEZEICHNUNG DESIGNATION	MOD.	NOTAS NOTES NOTA MITSCHRIFT NOTES
08A		00H02500041	JUNTA CILINDRO. GUARNIZIONE CILINDRO GASKET, CYLINDER	ZYLINDERPUBDICHTUNG JOINT DE CYLINDRE	1 2 3 4 5 6 7 8	
09A		00H02506141	CTO.CIGÑ.-BIELA. ALBERO GOMITO-BIELLA CRANK SHAFT ROD.	KURBELWELLE VILEBREQUIN COMPLET	1 2 3 4 5 6 7 8	
10A		00002025190	EJE CUELLO CIGÑAL.16.4-6V. ASSE COLLO ALBERO GOMITO 16.4- CRANKSHAFT PIN	PLEUEL BOLZEN AXE DE VILLEBREQUIN	1 2 3 4 5 6 7 8	
11A		00H02500301	RETEN CIGÑAL.DCH.20.35.7. GIUNTO TENUTA ALBERO GOMITO DE SEAL, CRANKSHAFT	KURBELWELLEN DICHRING REC JOINT SPI VILO D.	1 2 3 4 5 6 7 8	
12A		00059220400	COJINETE 6204 PX2 V4 CUSCINETTO 6204 PX2 V4 BEARING	LAGER 6055 25.47.12 2RS COUSSINET 6005 25-47-12 2RS	1 2 3 4 5 6 7 8	
13A		00E02500231	RETEN CIGUENAL SCOO.74.20.35.7 GIUNTO TENUTA ALBERO GOMITO SC SEAL, OUTPUT SHAFT	SIMMERRING JOINT SPI VILO G.20X35X7	1 2 3 4 5 6 7 8	
14A		00002225220	ARANDELA REG.CAB.BIELA RONDELLA WASHER	SCHEIBE RONDELLE	1 2 3 4 5 6 7 8	
15A		00008202730	TUERCA FIJ.MANILL.-CULATA. DADO NUT	MUTTER ECROU	1 2 3 4 5 6 7 8	
16A		00H05001011	R-CTO.BIELA R-BIELLA CONNECTING ROD W/BEARING AND P	PLEUEL BIELLE AVEC CAGE ET AXE	1 2 3 4 5 6 7 8	
17A		00002125170	JAULA PIE BIELA.KBK-12.15.15. GABBIA PIEDE BIELLA KBK12.15.1 BEARING, PISTON PIN	NADELLAGER CAGE A AIGUILLE DE PIED DE	1 2 3 4 5 6 7 8	

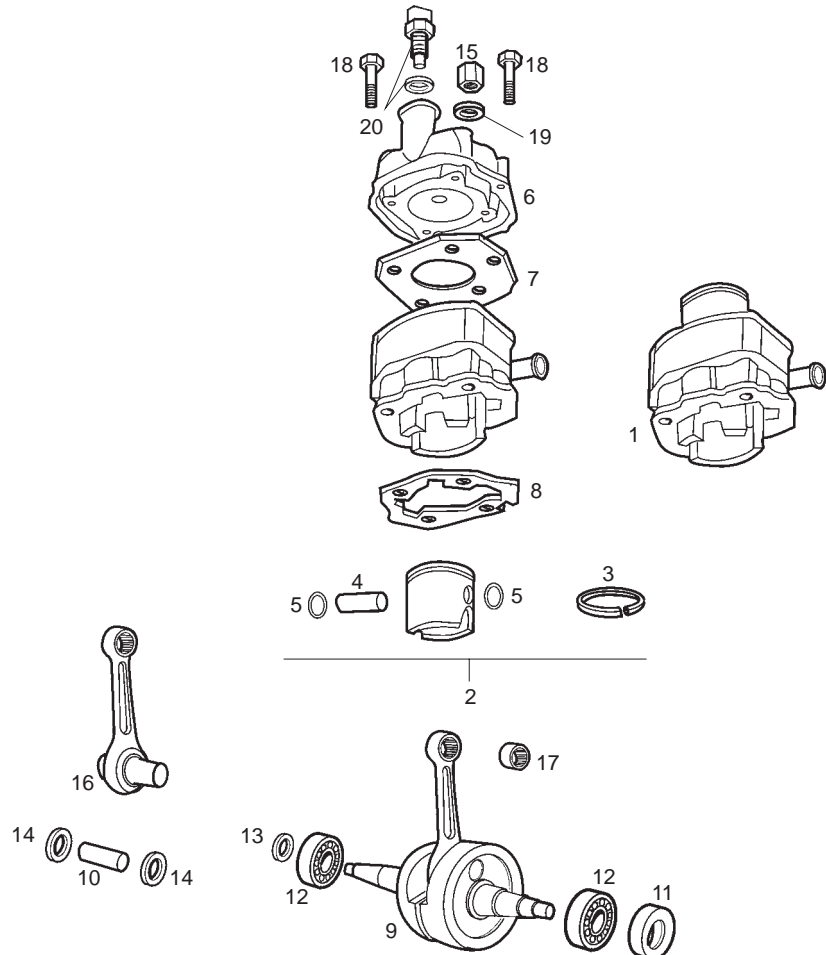


Fig.	Ver.	COD. KOD.	DESCRIPCIÓN DENOMINAZIONE NAME	BEZEICHNUNG DESIGNATION	MOD.	NOTAS NOTES NOTA MITSCHRIFT NOTES
18A		00H05001551	TORNILLO FIJACION CULATA VITE SCREW	SCHRAUBE VIS	1 2 3 4 5 6 7 8	
19A		00003125280	ARANDELA FIJ. CULATA. RONDELLA WASHER	SCHEIBE RONDELLE	1 2 3 4 5 6 7 8	
20A		00H02303441	TERMOCONTACTO TERMOCONTATTO. CLUTCH PLATE	THERMOKONTAKT TERMOCONTATTO.	1 2 3 4 5 6 7 8	

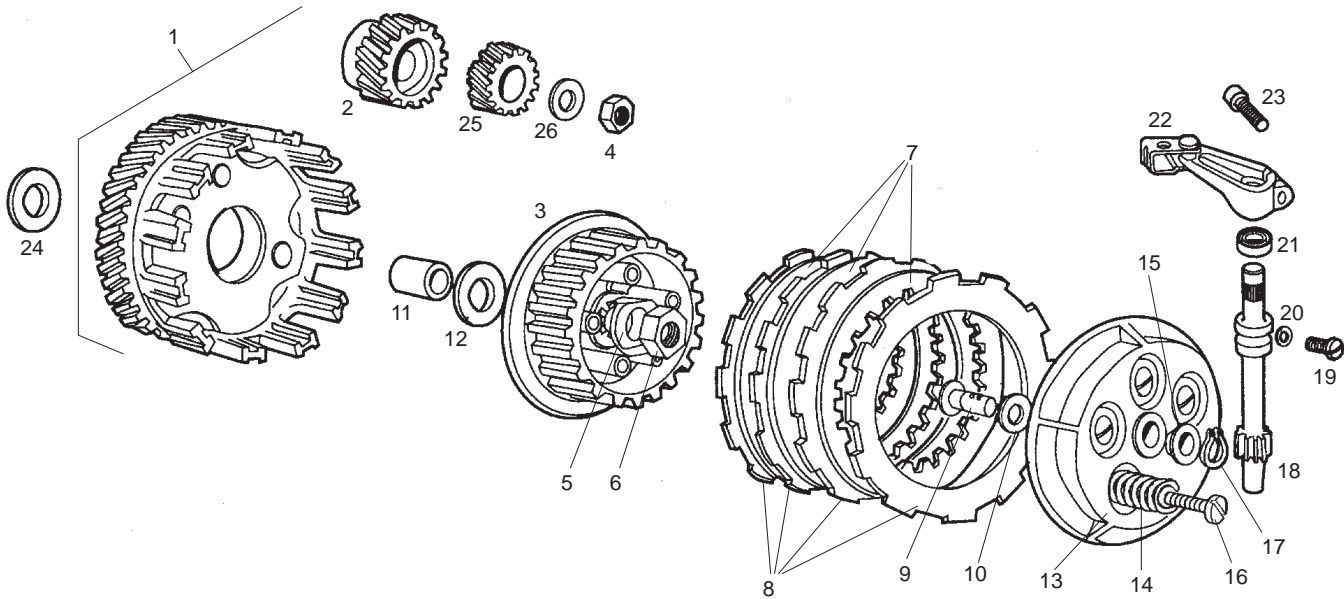


Fig.	Ver.	COD. KOD.	DESCRIPCIÓN DENOMINAZIONE NAME	BEZEICHNUNG DESIGNATION	MOD.	NOTAS NOTES NOTA MITSCHRIFT NOTES
01A		00H03603521	R-CTO.RUEDA AMORT.EMBRAG. R-RUOTA FRIZIONE CLUTCH HOUSING AND DAMPER	KUPPLUNGSRAD CLOCHE EMBRAYAGE AVEC PIGNO	1 2 3 4 5 6 7 8	
02A		00H02601381	PIÑÓN MOTOR.Z-22. PIGNONE MOTORE .Z-22 PRIMAY GEAR Z-22	MOTORRITZEL Z-22 PIGNON PRIMAIRE Z-22	1 2 3 4 5 6 7 8	
03A		00H02600111	CAMPANA CONDUCTIDA.4-6V.A.A. CAMPANA GUIDATA 4-6V.A.A. CLUTCH HUB.	GLOCKE TAMBOUR EMBRAYAGE	1 2 3 4 5 6 7 8	
04A		00H02600401	TUERCA FIJ.PIÑÓN MOTOR DADO NUT	MUTTER ECROU	1 2 3 4 5 6 7 8	
05A		00006826230	PRECTO.TCA.EMBRG. PIASTRINA DADO FRIZIONE WASHER, RETAINING	SICHERUNG FREIN DIECROU DI EMBRAYAGE	1 2 3 4 5 6 7 8	
06A		00000326260	TUERCA EMBRG.4V DADO NUT	MUTTER ECROU	1 2 3 4 5 6 7 8	
07A		00H02600151	DISCO CONDUCTIDO. DISCO GUIDATO DRIVEN CLUTCH PLATE	SCHEIBE DISQUE EMBRAYAGE LISSE	1 2 3 4 5 6 7 8	
08A		00H02601161	SCTO.DISCO CONDUCTOR. SUBDISCO GUIDA CLUTCH PLATE	KUPPLUNGSRELAG DISQUE EMBRAYAGE GARNI	1 2 3 4 5 6 7 8	
09A		00H02600271	CREMALLERA EMPUJE EMBRG. CREMAGLIERA SPINTA FRIZIONE. PUSHING CLUTCH	ZAHNSTANGE CREMAILLETE D, EMBRAYAGE	1 2 3 4 5 6 7 8	
10A		00H02600551	RODAMTO.AXIAL CREMALL.EMBRG. CUSCINETTO SFERE RADIALE CREMA BALL BEARING	LAGER ROULEMENT AXIAL	1 2 3 4 5 6 7 8	
11A		00H02601011	CASQ.BUJE EMBRAGUE. GHIERA BRONZINA FRIZIONE BUSHING	FUHRUNGSBUCHSE GABELSCHENK ENTRETOISE	1 2 3 4 5 6 7 8	

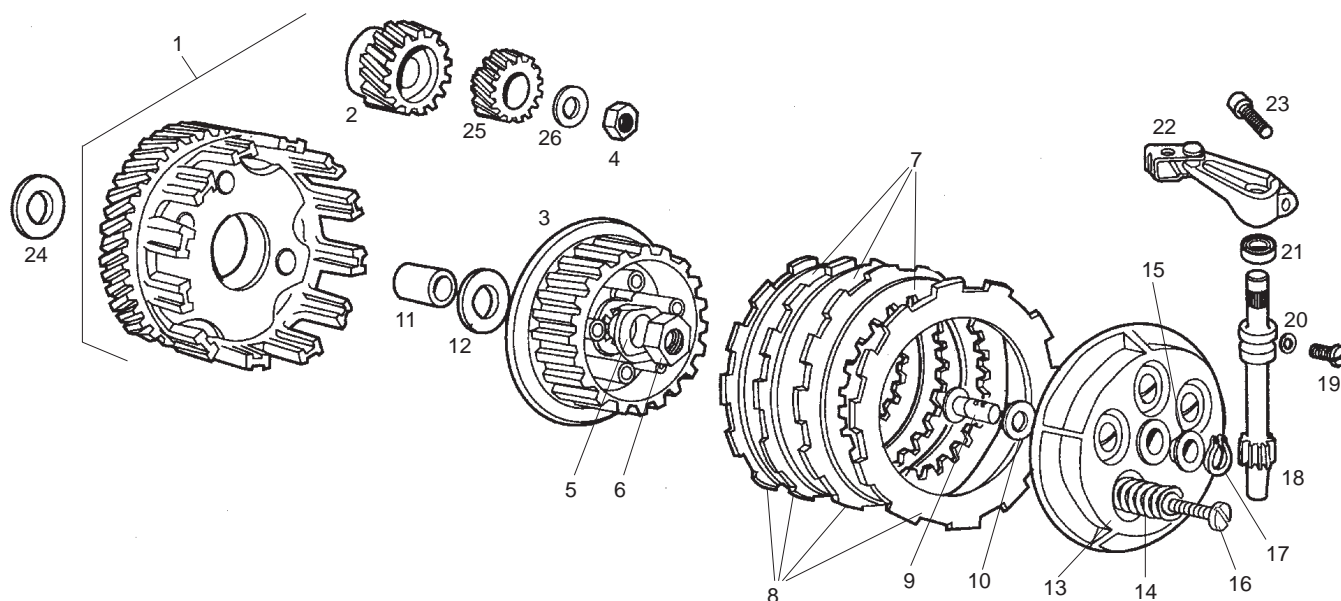


Fig.	Ver.	COD. KOD.	DESCRIPCIÓN DENOMINAZIONE NAME	BEZEICHNUNG DESIGNATION	MOD.	NOTAS NOTES NOTA MITSCHRIFT NOTES
12A		00D02600552	ARANDELA ROZAMTO.CAMPANA. RONDELLA WASHER	SCHEIBE RONDELLE	1 2 3 4 5 6 7 8	
13A		00H02600181	TAPA CIERRE EMBRAG.6V. COPERCHIO CHIUSURA FRIZIONE G. OUTER CLUTCH PLATE	KUPPLINGS-VERSCHLUSSDECKEL PLATEAU EXTERIEUR D,EMBRAYA	1 2 3 4 5 6 7 8	
14A		00H02600211	MUELLE REGULAC.EMBRAGUE. MOLLA REGOLAZIONE FRIZIONE CLUTCH SPRING	STELLFEDER RESORT REGLAGE	1 2 3 4 5 6 7 8	
15A		00H05000281	ARANDELA TOPE PIÑON INTERMD. RONDELLA WASHER	SCHEIBE RONDELLE	1 2 3 4 5 6 7 8	
16A		00H05901781	TORNILLO 5M80X35 VITE SCREW	SCHRAUBE VIS	1 2 3 4 5 6 7 8	
17A		00000047110	ANILLO SEG.EJES D10.DIN-471. ANELLO SICUREZZA ASSI D10 D-47 CIRCLIP, BRAKE SHOE RETENTION	SEEGERRING CIRCLIP POUR AXE D10	1 2 3 4 5 6 7 8	
18A		00H02610311	EJE DESEMBRAGUE. ASSE DISINNESCO FRIZIONE CLUTCH SHAFT	KUPPLUNGSACHSE AXE	1 2 3 4 5 6 7 8	
19A		00H02600342	TORNILLO FIJ.EJE DESEMB. VITE SCREW	SCHRAUBE VIS	1 2 3 4 5 6 7 8	
20A		00H03800441	ARANDELA TOR.VACIADO AGUA RONDELLA WASHER	SCHEIBE RONDELLE	1 2 3 4 5 6 7 8	
21A		00002027280	RET.EJE MANDO SELEC.12.20.5. RICHIAMO ASSE COMANDO SELETTOR OIL SEAL, SELECTOR SHAFT	SIMMERRING JOINT ANTI-FUITE	1 2 3 4 5 6 7 8	
22A		00H02600322	SCTO.PALANCA DESEMBRG.GPR-75. SUBLEVA DISINNESCO F CLUTCH LEVER	KUPPLUNGSHEBEL LEVIER EMBRAYAGE	1 2 3 4 5 6 7 8	

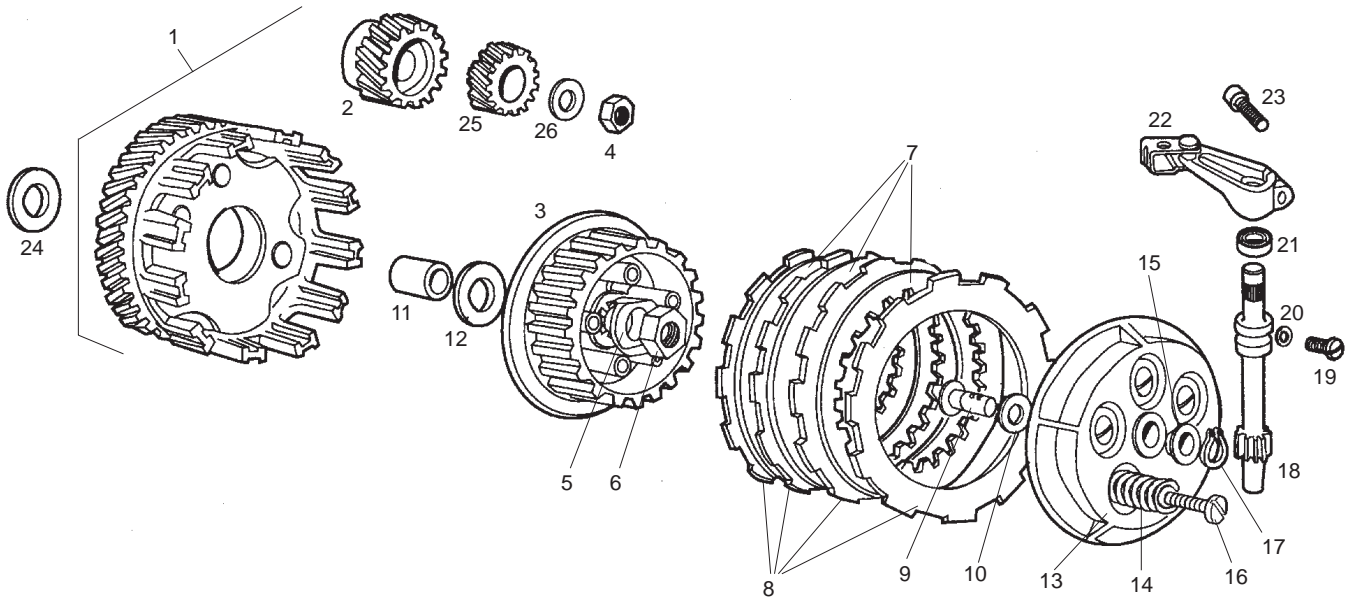


Fig.	Ver.	COD. KOD.	DESCRIPCIÓN DENOMINAZIONE NAME	BEZEICHNUNG DESIGNATION	MOD.	NOTAS NOTES NOTA MITSCHRIFT NOTES
23A		00052062011	TORNILLO 6M100X20 VITE SCREW	SCHRAUBE VIS	1 2 3 4 5 6 7 8	
24A		00002026020	ARANDELA PROTEC.INT.BUJE EMBRAG. RONDELLA WASHER	SCHEIBE RONDELLE	1 2 3 4 5 6 7 8	
25A		00H03800181	PIÑON MANDO BOMBAS.Z-14. PIGNONE COMANDO POMPE .Z-14.7 PUMP GUIDE GEAR	RITZEL PIGNON	1 2 3 4 5 6 7 8	
26A		00H02600651	ARANDELA FIJ.PIÑON MOTOR RONDELLA WASHER	SCHEIBE RONDELLE	1 2 3 4 5 6 7 8	

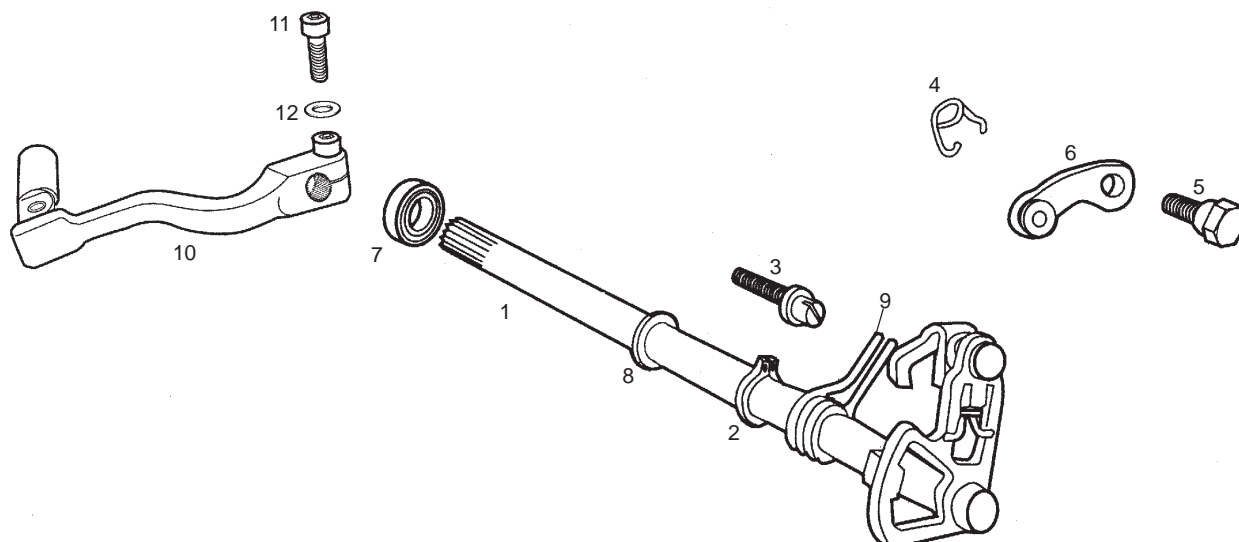


Fig.	Ver.	COD. KOD.	DESCRIPCIÓN DENOMINAZIONE NAME	BEZEICHNUNG DESIGNATION	MOD.	NOTAS NOTES NOTA MITSCHRIFT NOTES
01A		00H02700151	SCTO.EJE SELECTOR. SUBASSE SELETTORE 74 S-ASSY. SELECTOR SHAFT	SCHALTACHSE S-ENSEMBLE AXE SELECTEUR	1 2 3 4 5 6 7 8	
02A		00047031100	ANIL.S.EJES D12.D6799.111013-2 ANELLO SEPARATORE ASSI D12.D6 CIRCLIP, BRAKE SHOE RETENTION	RING CIRCLIP POUR AXE D12	1 2 3 4 5 6 7 8	
03A		00H02700231	ESPARRG.MUELLE SELEC. BULLONE MOLLA SELETTORE SCREW, SELECTOR SPRING ADJ.	FEDERSTIFT AXE EXCENTRIQUE	1 2 3 4 5 6 7 8	
04A		00H02700441	MUELLE FIJ.MARCHAS. MOLLA FISSAGGIO MARCE GEAR FIXING SPARING	BEF.-FEDER RESSORT	1 2 3 4 5 6 7 8	
05A		00H02700451	TORNILLO GUIA FIJ.MARCHAS VITE SCREW	SCHRAUBE VIS	1 2 3 4 5 6 7 8	
06A		00H02700491	SCTO.PALANCA FIJ.MARCHAS. SUBLEVA FISSAGGIO MA LEVER FIXING GEARS	GANSCHALTHEEEL LEVIER FIXATION PIGNONS	1 2 3 4 5 6 7 8	
07A		00002027280	RET.EJE MANDO SELEC.12.20.5. RICHIAMO ASSE COMANDO SELETTOR OIL SEAL, SELECTOR SHAFT	SIMMERRING JOINT ANTI-FUITE	1 2 3 4 5 6 7 8	
08A		00002028770	ARANDELA SEGURO TAMBOR COPPA RONDELLA WASHER	SCHEIBE RONDELLE	1 2 3 4 5 6 7 8	
09A		00H02700251	MUELLE SELECTOR. MOLLA SELETTORE SPRING, SELECTOR	FEDER RESSORT	1 2 3 4 5 6 7 8	
10A		00H02703421	CTO.PALANCA CAMBIO ÉLEVA CAMBIO GEARSHIFT ASSY.	GRUPPE GANGSCHALTHEBEL GPR PEDALE DE SELECTEUR	1 2 3 4 5 6 7 8	

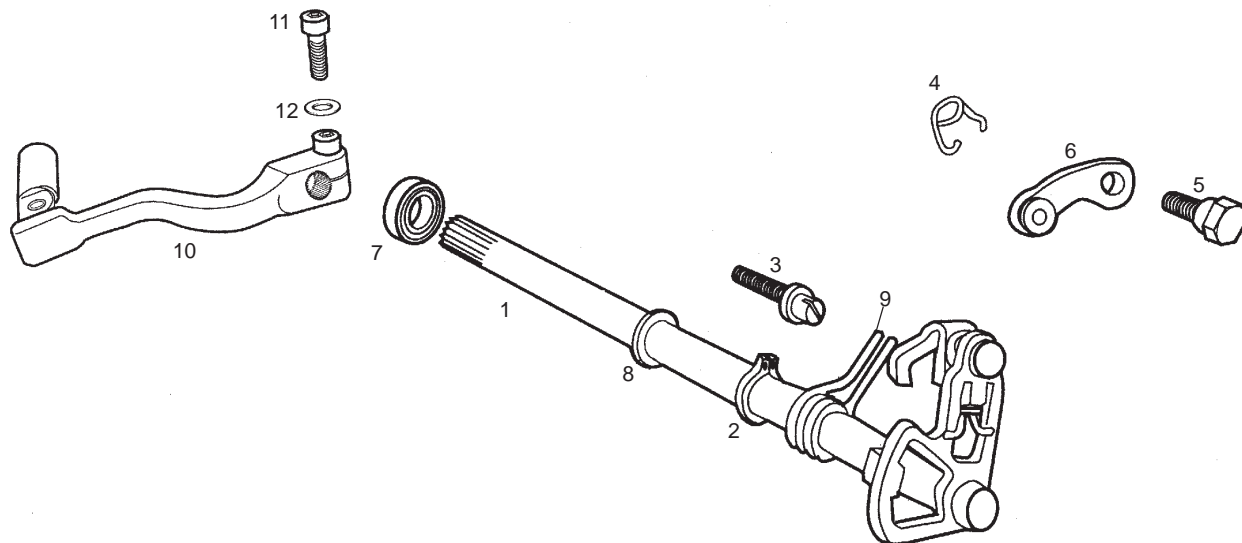


Fig.	Ver.	COD. KOD.	DESCRIPCIÓN DENOMINAZIONE NAME	BEZEICHNUNG DESIGNATION	MOD.	NOTAS NOTES NOTA MITSCHRIFT NOTES
11A		00002062511	TORNILLO C/ALLEN 6M100X25 VITE SCREW	SCHRAUBE VIS	1 2 3 4 5 6 7 8	
12A		00442060002	ARANDELA MUELLE D.6 RONDELLA WASHER	SCHEIBE RONDELLE	1 2 3 4 5 6 7 8	

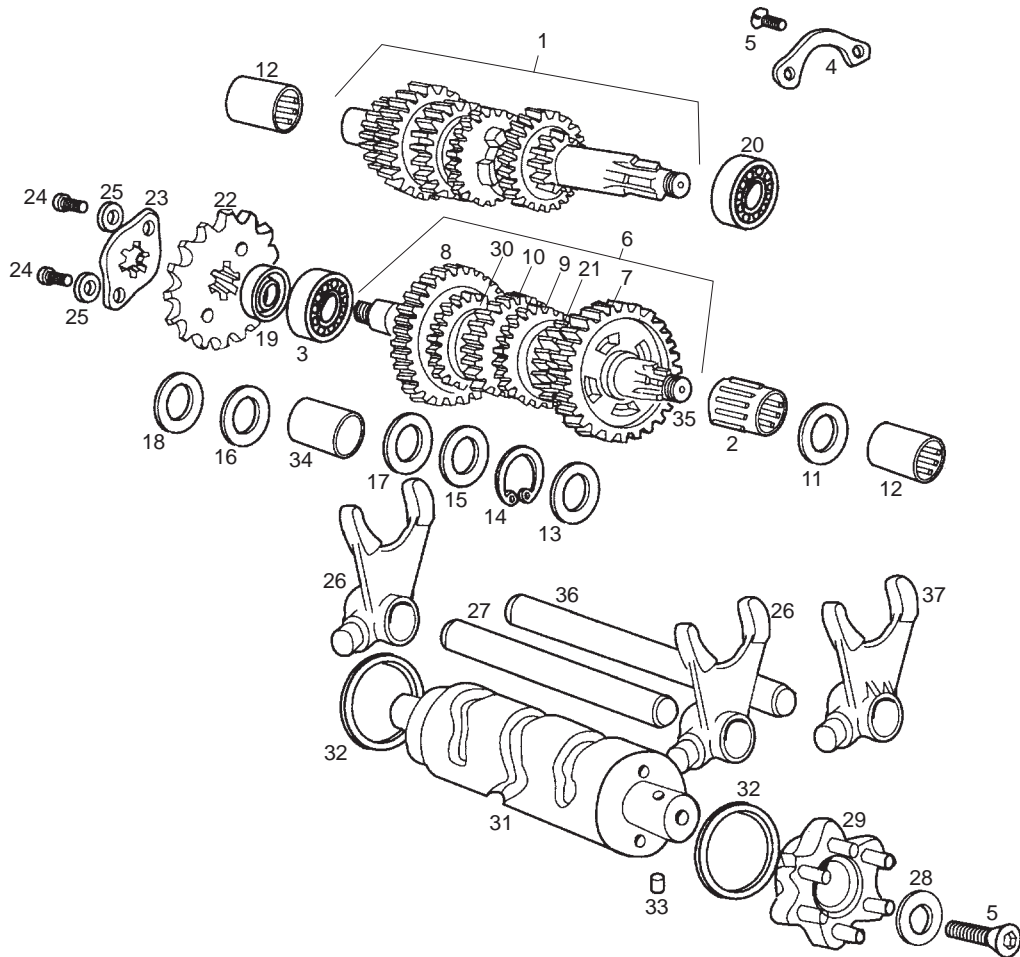


Fig.	Ver.	COD. KOD.	DESCRIPCIÓN DENOMINAZIONE NAME	BEZEICHNUNG DESIGNATION	MOD.	NOTAS NOTES NOTA MITSCHRIFT NOTES
01A		00H02803291	SCTO EJE PRIMARIO 6V SUBASSE PRIMARIO DRIVE SHAFT.	PRIMARCHSE AXE PRIMAIRE	1 2 3 4 5 6 7 8	
02A		00D02820101	CORONA AGUJ.PIÑ.2-1A.K14X18X8F CORONA RULLINI PIGNONE .2-1A.K NEEDLE BEARING	BADELLGER ROULEMENT AIGUILLES	1 2 3 4 5 6 7 8	
03A		00057120300	COJINETE 6203-C4.17.40.12 R1.5 CUSCINETTO 6203-C4.17.40.12. BEARING	LAGER 6055 25.47.12 2RS COUSSINET 6005 25-47-12 2RS	1 2 3 4 5 6 7 8	
04A		00H02800901	PREC.COJINETE EJE PRIM.80CC. PIASTRINA CUSCINETTO ASSE PRIM PLATE POSITION BALL BEARINGS	KUGELLEGERPRIMDRACHSE BUTEE DE ROULEMENT	1 2 3 4 5 6 7 8	
05A		00000013510	TORNILLO AV.ALL.5M80X10 VITE SCREW	SCHRAUBE VIS	1 2 3 4 5 6 7 8	
06A		00H02807131	CTO EJE SECUNDARIO 6V ASSE SECONDARIO OUTPUT SHAFT	SEKUNDARACHSE AXE SECONDAIRE MONTE COMPLE	1 2 3 4 5 6 7 8	
07A		00H02820211	PIÑON SEC.I.Z-34.BI-3. PIGNONE SECONDARIO .I.Z-34.BI- OUTPUT GEAR 1ST	RITZEL SEKUNDARACHSE I PIGNON SECONDAIRE I	1 2 3 4 5 6 7 8	
08A		00H02801221	PIÑON SECUND.II.Z-30 PIGNONE SECONDARIO II.Z-30 SECONDARY GEAR	RITZEL SEKUNDARACHSE II PIGNON SECONDAIRE II	1 2 3 4 5 6 7 8	
09A		00H02810231	PIÑON SECUND.III.Z-27.6V. PIGNONE SECONDARIO .III.Z-27.6 OUTPUT GEAR 3RD.	RITZEL SEKUNDARACHSE III PIGNON 3 (ARBRE SEGONDAIRE)	1 2 3 4 5 6 7 8	
10A		00H02801481	PIÑON SECUND.IV.Z-24 PIGNONE SECONDARIO IV SECONDARY GEAR IV	RITZEL SEKUNDARACHSE IV PIGNON SECONDAIRE IV	1 2 3 4 5 6 7 8	
11A		00H02800181	ARANDELA REGLAJE EJE SECUNDARIO RONDELLA WASHER	SCHEIBE RONDELLE	1 2 3 4 5 6 7 8	

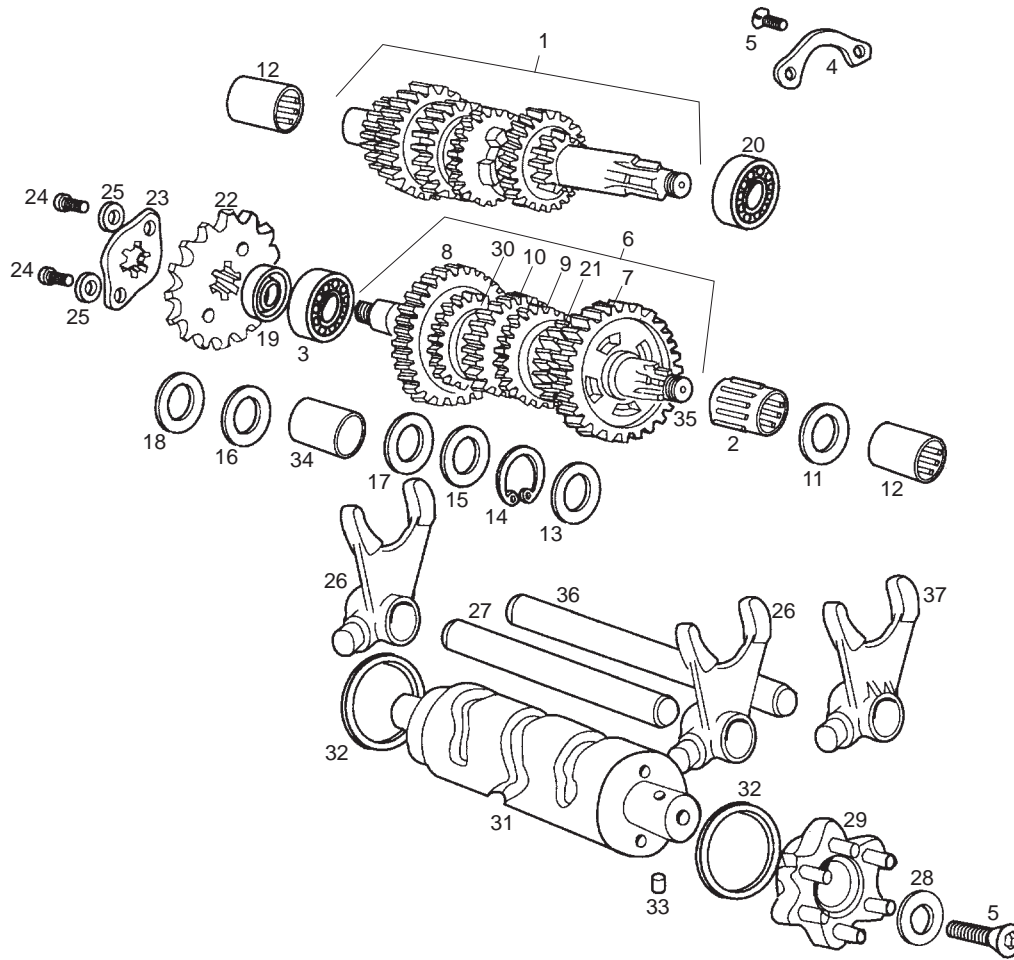


Fig.	Ver.	COD. KOD.	DESCRIPCIÓN DENOMINAZIONE NAME	BEZEICHNUNG DESIGNATION	MOD.	NOTAS NOTES NOTA MITSCHRIFT NOTES
12A		00002028450	CASQ.AGUJAS EJES I-II.HK-1412. GHIERA RULLINI ASSI I-II.HK-1 NEEDLE BEARING, GEAR SHAFTS	NADELLGER CAGE AAIGUILLES	1 2 3 4 5 6 7 8	
13A		00H02800251	ARANDELA ROZAMTO.PIÑON SECUND.I RONDELLA WASHER	SCHEIBE RONDELLE	1 2 3 4 5 6 7 8	
14A		00002028550	ANILLO SEG.PIÑONES.D18. ANELLO SICUREZZA PIGNONI D18 CIRCLIP D 18	SICHERUNGSRING JONC DIARBRE	1 2 3 4 5 6 7 8	
15A		00H02800561	ARANDELA PIÑS.SECUND.III/IV.A.A. RONDELLA WASHER	SCHEIBE RONDELLE	1 2 3 4 5 6 7 8	
16A		00H02810561	ARANDELA ROZMTO.PIÑ.PRIM.V. RONDELLA WASHER	SCHEIBE RONDELLE	1 2 3 4 5 6 7 8	
17A		00H02820561	ARANDELA ROZAMT.PIÑON SEC.II. RONDELLA WASHER	SCHEIBE RONDELLE	1 2 3 4 5 6 7 8	
18A		00H02810181	ARANDELA COJINT.EJE SECUNDARIO RONDELLA WASHER	SCHEIBE RONDELLE	1 2 3 4 5 6 7 8	
19A		00H02800401	RETEN.PIÑON SALIDA CAMB. GIUNTO TENUTA PIGNONE USCITA C SEAL Ssprocket	DICHTRING JOINT SPI PIGNON	1 2 3 4 5 6 7 8	
20A		00058020301	COJINETE 6203-C3.17.40.12 CUSCINETTO 6203-C3.17.40.12 BEARING	LAGER 6203- C3 17.40.12 COUSSINET 6203- C3 17.40.12	1 2 3 4 5 6 7 8	
21A		00H02810411	PIÑON SECUND.V.Z-23.6V. PIGNONE SECONDARIO V.Z-23 OUTPUT GEAR 5TH.	RITZEL SECUNDTRACHSE V PIGNON DE 5 (ARBRE SECONDAI	1 2 3 4 5 6 7 8	
22A		00H02805371	PIÑON SALIDA CAMBIO Z-14 PIGNONE USCITA CAMBIO GEARBOX OUTPUT PINION	GANGSCHALTUNGS AUSGANGSRIT PIGNON SORTIE CHANGEMENT	1 2 4 5 7	

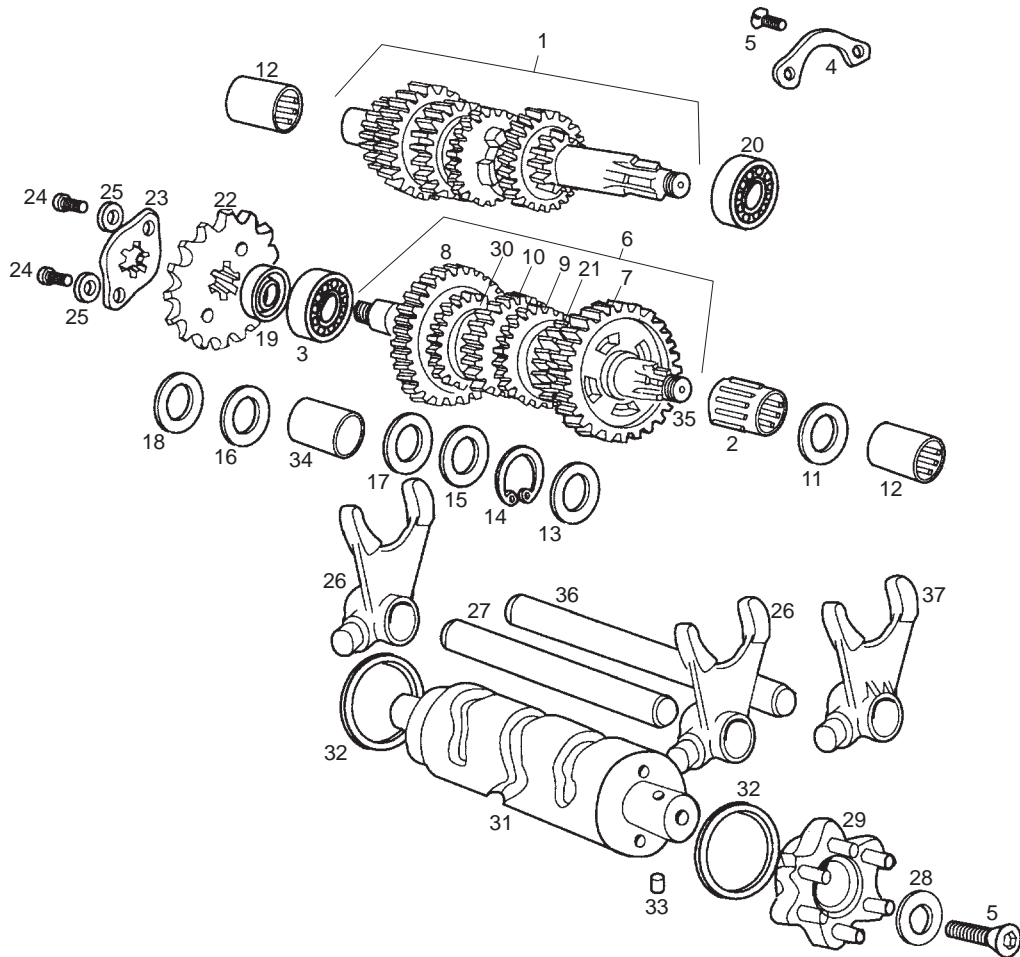


Fig.	Ver.	COD. KOD.	DESCRIPCIÓN DENOMINAZIONE NAME	BEZEICHUNG DESIGNATION	MOD.	NOTAS NOTES NOTA MITSCHRIFT NOTES
22B		00H02808371	PIÑON SALIDA CAMBIO Z-12 PIGNONE USCITA CAMBIO GEARBOX OUTPUT PINION	GANGSCHALTUNGS AUSGANGSRIT PIGNON SORTIE CHANGEMENT	3 6 8	
23A		00H02810421	PREC.PIÑON SALIDA CAMB.50.4V PIASTRINA PIGNONE USCITA CAMBI LOCKWASHER, COUNTERSHAFT SPROK	RITZEL RONDELLE DE SECURITE SBV.	1 2 3 4 5 6 7 8	
24A		00000004510	TORNILLO C/ALLEN 5M80X10NEGRO VITE SCREW	SCHRAUBE VIS	1 2 3 4 5 6 7 8	
25A		00000034050	ARANDELA EST. INT.D.5. RONDELLA WASHER	SCHEIBE RONDELLE	1 2 3 4 5 6 7 8	
26A		00H02820651	HORQ.SECUNDARIA.4-6V. FORCELLA SECONDARIA 4-6V. FORK OUTPUT	SHALTGABEL FOURCHETTE	1 2 3 4 5 6 7 8	
27A		00H02800881	EJE HORQ.SECUNDARIA ASSE FORCELLA SECONDARIA SECONDARY FORK SHAFT	GABEL SEKUNDARACHSE AXE	1 2 3 4 5 6 7 8	
28A		00H02800801	ARANDELA PIÑ.CONTR/MAND.TAMBOR RONDELLA WASHER	SCHEIBE RONDELLE	1 2 3 4 5 6 7 8	
29A		00H02810631	CABEZA MANDO TAMBOR. TESTA COMANDO TAMBORO DRUM HEAD	ESTEUERKOPF TETE TAMBOUR SELECTEUR	1 2 3 4 5 6 7 8	
30A		00H02810741	PIÑON SECUND.VI.Z-22.6V. PIGNONE SECONDARIO VI.Z-22.6V. OUTPUT GEAR 6TH.	RITXEL SEKUNDARACHSE VI PIGNON DE 6 (ARBRE SECONDAI	1 2 3 4 5 6 7 8	
31A		00H02802861	TAMBOR DISTRIBUIDOR TAMBORO DISTRIBUTORE SHIFT DRUM	VERTEILERTROMMEL BARILLET	1 2 3 4 5 6 7 8	
32A		00D04000291	ARANDELA TAMBOR DISTRIBD.0,5.4/6V RONDELLA WASHER	SCHEIBE RONDELLE	1 2 3 4 5 6 7 8	

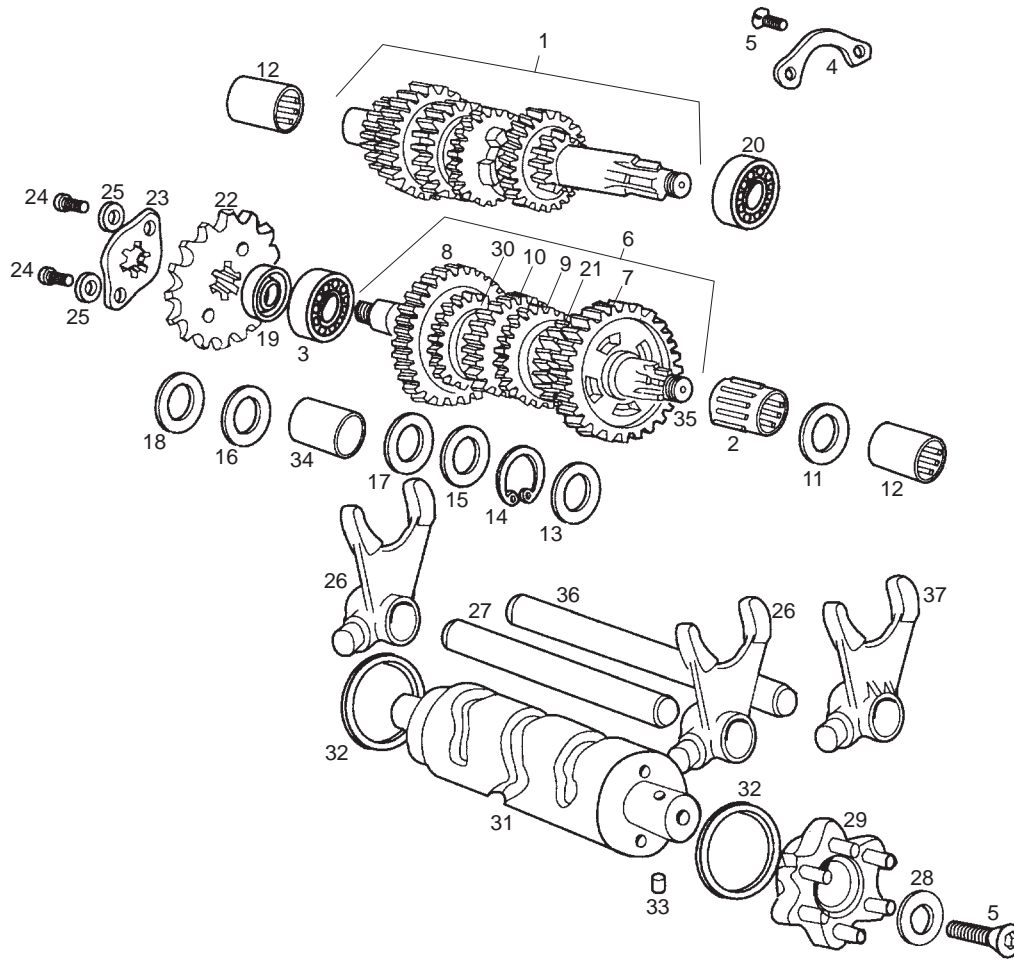


Fig.	Ver.	COD. KOD.	DESCRIPCIÓN DENOMINAZIONE NAME	BEZEICHNUNG DESIGNATION	MOD.	NOTAS NOTES NOTA MITSCHRIFT NOTES
33A		00000066060	RODILLO.4X6. RULLO 4X6 ROLLER 4X6	WALZE FUR SCHA LTUNG GALETS 4X6	1 2 3 4 5 6 7 8	
34A		00H02800241	CASQ.PIÑON SECUND.II. GHIERA PIGNONE SECONDARIO .II. BUSHING	FUHRUNGSBUCHSE GABELSCHENK ENTRETOISE	1 2 3 4 5 6 7 8	
35A		00H02803161	SCTO EJE SECUND. 6V. GMM ASSE SECONDARIO 6V. GMM OUTPUT SHAFT	SEKUNARACHSE AXE SECONDAIRE MONTE COMPLE	1 2 3 4 5 6 7 8	
36A		00H02800891	EJE HORQ.PRIMARIA. ASSE FORCELLA PRIMARIA PRIMARY FORK SHAFT	GABEL PRIMARACHSE AXE	1 2 3 4 5 6 7 8	
37A		00H02820661	HORQ.PRIMARIA.V-VI. FORCELLA PRIMARIA V-VI. FORK OUTPUT	SHALTGABEL FOURCHETTE	1 2 3 4 5 6 7 8	

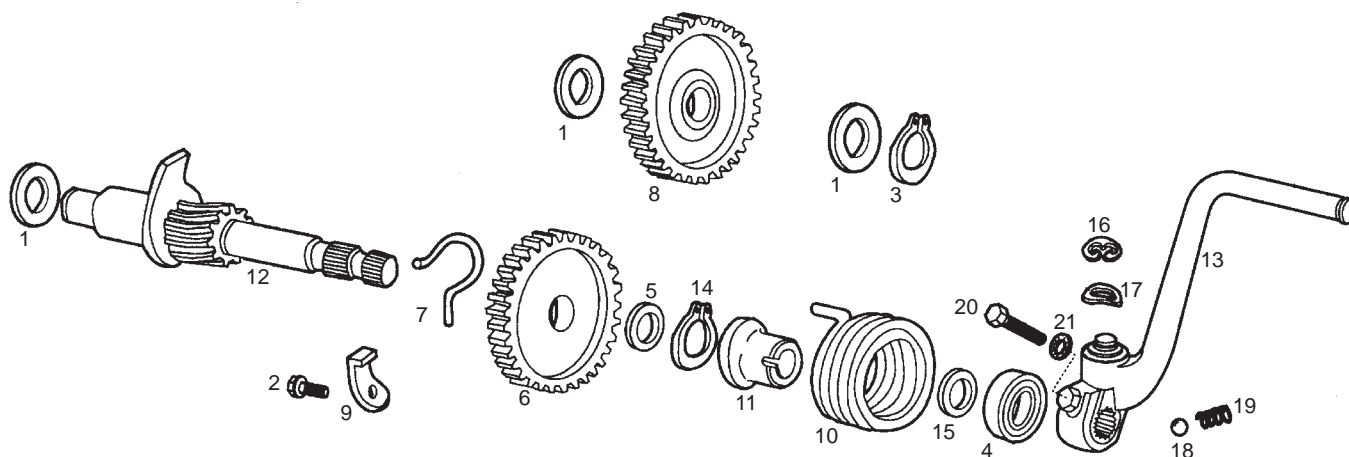


Fig.	Ver.	COD. KOD.	DESCRIPCIÓN DENOMINAZIONE NAME	BEZEICHUNG DESIGNATION	MOD.	NOTAS NOTES NOTA MITSCHRIFT NOTES
01A		00002028770	ARANDELA SEGURO TAMBOR COPPA RONDELLA WASHER	SCHEIBE RONDELLE	1 2 3 4 5 6 7 8	
02A		00H02900761	TORNILLO FIJ.TOPE ARRQ. VITE SCREW	SCHRAUBE VIS	1 2 3 4 5 6 7 8	
03A		00000047111	ANILLO SEG.EJES D11.DIN-471. ANELLO SICUREZZA ASSI D11.DIN- CIRCLIP, SELECTOR SHAFT	SICHERHEITSPRING CIRCLIPS ARBRE SELECTEUR	1 2 3 4 5 6 7 8	
04A		00D02910131	RETEN EJE ARRANQUE 15-26-5 ANELLO TENUTA AVVIAMENTO 15-26 OIL SEAL 15-26-5	SIMMERING JOINT ANTI-FUITE	1 2 3 4 5 6 7 8	
05A		00005529290	ARANDELA TOPE PIÑ.ARRQ. RONDELLA WASHER	SCHEIBE RONDELLE	1 2 3 4 5 6 7 8	
06A		00H02900091	PIÑON ARRANQUE Z-29 PIGNONE AVVIAMENTO Z-29 KICKSTARTER GEAR Z-29	ANLAUFTRITZEL ROUE DE MISE EN MARCHE Z-29	1 2 3 4 5 6 7 8	
07A		00H02900281	MUELLE PIÑON ARR. MOLLA PIGNONE AVVIAMENTO SPRING, ENGAGEMENTE REAR	RITZELFEDER RESSORT DE ROUE DE MISE EN	1 2 3 4 5 6 7 8	
08A		00H02901441	PIÑON INTERMED.ARRQ. PIGNONE INTERMEDIO AVVIAMENTO DRIVING GEAR	ANLAUF-ZWISCHENRITZEL ROUE INTERMEDIAIRE	1 2 3 4 5 6 7 8	
09A		00H02901551	REFZO.TOPE ARRQ. RINFORZO FERMO AVVIAMENTO KICKSTARTER LEVER STOP	VERSTARUNG F.ANSCHULAG BUTEE PEDALE DE KICK	1 2 3 4 5 6 7 8	
10A		00H02900041	MUELLE ARRANQUE, MOLLA AVVIAMENTO KICKSTARTER SPRING	ANLAUFFEDER RESSORT DE KICK	1 2 3 4 5 6 7 8	
11A		00H02900271	CAZLTA.GUIA MUELLE ARRQ. SCODELLINO GUIDA MOLLA AVVIAME SPRING GUIDE	FUHRUNGSPFANE RAMPE DE KICK	1 2 3 4 5 6 7 8	

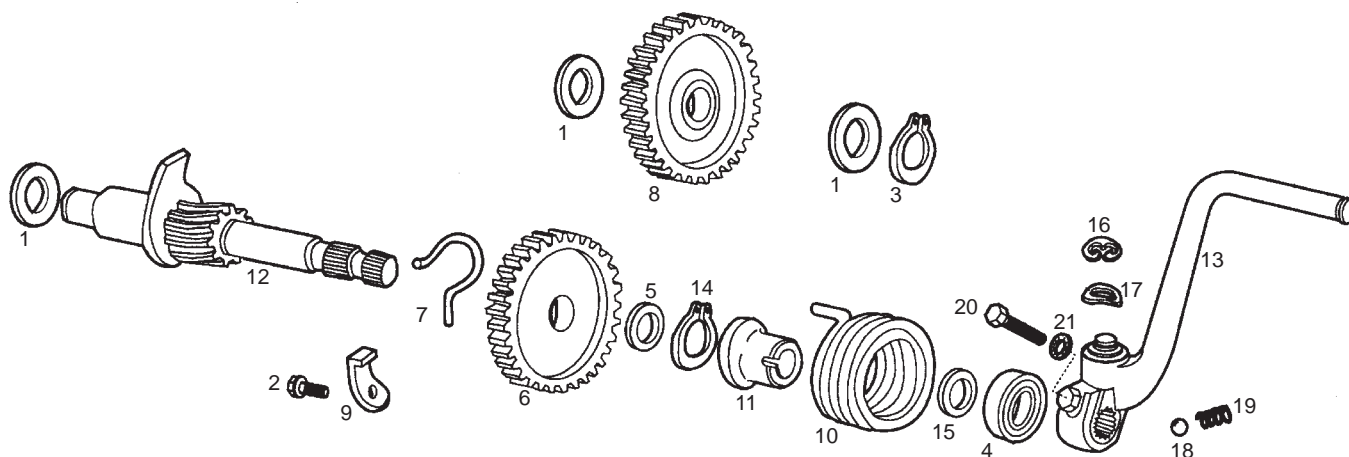


Fig.	Ver.	COD. KOD.	DESCRIPCIÓN DENOMINAZIONE NAME	BEZEICHNUNG DESIGNATION	MOD.	NOTAS NOTES NOTA MITSCHRIFT NOTES
12A		00H02900011	SCTO.EJE ARRANQUE, SUBASSE AVVIAMENTO S KICKSTARTER SHAFT	ANLAUFACHSE ARBRE DE KICK	1 2 3 4 5 6 7 8	
13A		00H02902252	CTO PALANCA ARRANQUE LEVA AVVIAMENTO FENI KICKSTARTER LEVER	KICKSTARTER LEVIER DE KICK	1 2 3 4 5 6 7 8	
14A		00000047122	ANILLO SEG.EJES D22.DIN-471. RONDELLA SICUREZZA D22.DIN-471 CIRCLIP D22 DIN 471	SICHERHEITSRING ANNEAU SECURITE AXES D22	1 2 3 4 5 6 7 8	
15A		00002029050	ARANDELA TOPE ARRQ.4-6V. RONDELLA WASHER	SCHEIBE RONDELLE	1 2 3 4 5 6 7 8	
16A		00047030900	ANILL.SEG/EJ.D9-12 D6799/8 ANELLO SICUREZZA/ASSE D9-12 DI CIRCLIP D9-12 DIN-6799	SICHERHEITSRING ANNEAU SECURITE AXE D.9-12	1 2 3 4 5 6 7 8	
17A		00000036100	ARANDELA MUELLE AB.D10,5 RONDELLA WASHER	SCHEIBE RONDELLE	1 2 3 4 5 6 7 8	
18A		00000061040	BOLA.D.4,76. PALLA D.4,76 BALL, D.4,76	KUGEL D.4,76. BILLE DIAMETRE 4,76.	1 2 3 4 5 6 7 8	
19A		00003127200	MUELLE GATILLOS.ANTORCHA. MOLLA GRILLETTO TORCIA SPRING, DETENT	FEDER RESSORT	1 2 3 4 5 6 7 8	
20A		00004162500	TORNILLO C/ALLEN.6M100X25.NG VITE SCREW	SCHRAUBE VIS	1 2 3 4 5 6 7 8	
21A		00037000600	ARANDELA CONICA SEG. D6 4.232004-0 RONDELLA WASHER	SCHEIBE RONDELLE	1 2 3 4 5 6 7 8	

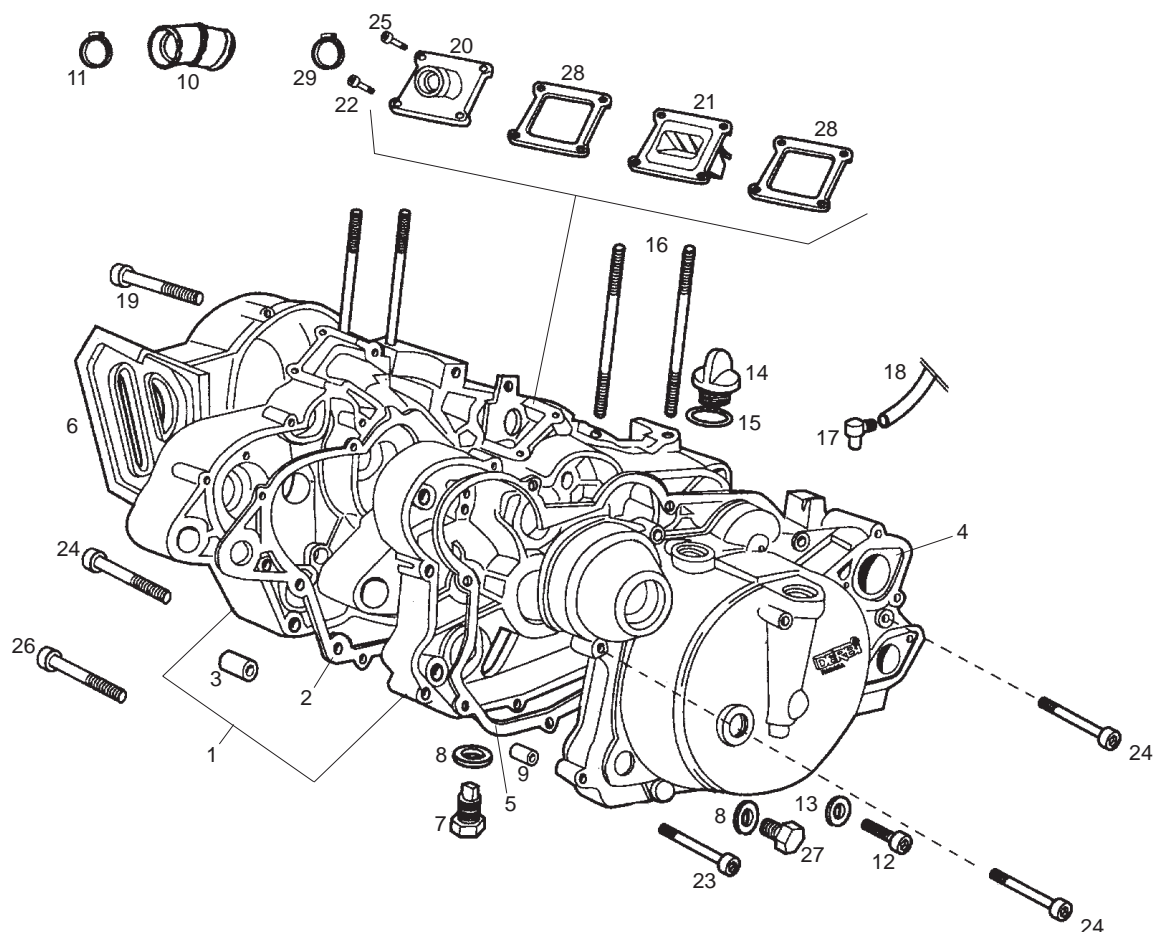


Fig.	Ver.	COD. KOD.	DESCRIPCIÓN DENOMINAZIONE NAME	BEZEICHUNG DESIGNATION	MOD.	NOTAS NOTES NOTA MITSCHRIFT NOTES
01A		00H03003634	CTO.CARTER CARTERS CRANCKASE ASSEMBLY	MOTORGEHAUSE ENSEMBLE DES CARTERS MOTEUR	1 2 3 4 5 6 7 8	
02A		00H03000031	JUNTA CARTERS GUARNIZIONE CARTERS GASKET, CHANCKASE	GEHAUSEDICHTUNG JOINT DE CARTERS CENTRAUX	1 2 3 4 5 6 7 8	
03A		00H03010361	SEPARAD.SILENT.DT.CARTER SEPARATORE SILENTBLOCK ANTERIO BUSHING	FUHRUNGSBUCHSE GABELSCHENK ENTRETOISE	1 2 3 4 5 6 7 8	
04A		00H03007882	SCTO.TAPA CARTER DR. SUBC.COP.CARTER DES. CRANCKASE COVER	KUPLINGSDECKEL CARTER DIEMBAYAGE	1 2 3 4 5 6 7 8	
05A		00H03000141	JUNTA TAPA CARTER DR. GUARNIZIONE COPERCHIO CARTER D GASKET RIGHT-HAND COVER	DICHTUNG JOINT DE CARTER EMBRAYAGE	1 2 3 4 5 6 7 8	
06A		00H03005241	TAPA CARTER IZ. COPERCHIO CARTER SINISTRO 4-6V CRANCKASE COVER LEFT	GEHD US ED EDKELLINKS COUVERCLE CARTER GAUCHE	1 2 3 4 5 6 7 8	
07A		00A03001422	CTO.TORNILLO VACDO.ACTE. VITE SCREW	SCHRAUBE VIS	1 2 3 4 5 6 7 8	
08A		00A03000121	ARANDELA VACDO.ACTE.VARIANT. RONDELLA WASHER	SCHEIBE RONDELLE	1 2 3 4 5 6 7 8	
09A		00002030020	PASADOR UNION CARTER. CHIAVISTELLO UNIONE CARTER DOWEL PIN, CRANCKASE	BUCHSE PIED DE CENTRAGE	1 2 3 4 5 6 7 8	
10A		00H02502891	CASQ.UNION BOQ.CARB. GHIERA UNIONE ROC.CARB. COMPLING SLEEVE INTAKE	ANSAUGGUMMI CONDUIT ADMISION	1 2 3 4 5 6 7 8	
11A		00H02501491	BRIDA OTIKER GHIERA OTIKER COLLAR OTIKER	ZÜGEL OTIKER BRIDE OTIKER	1 2 3 4 5 6 7 8	

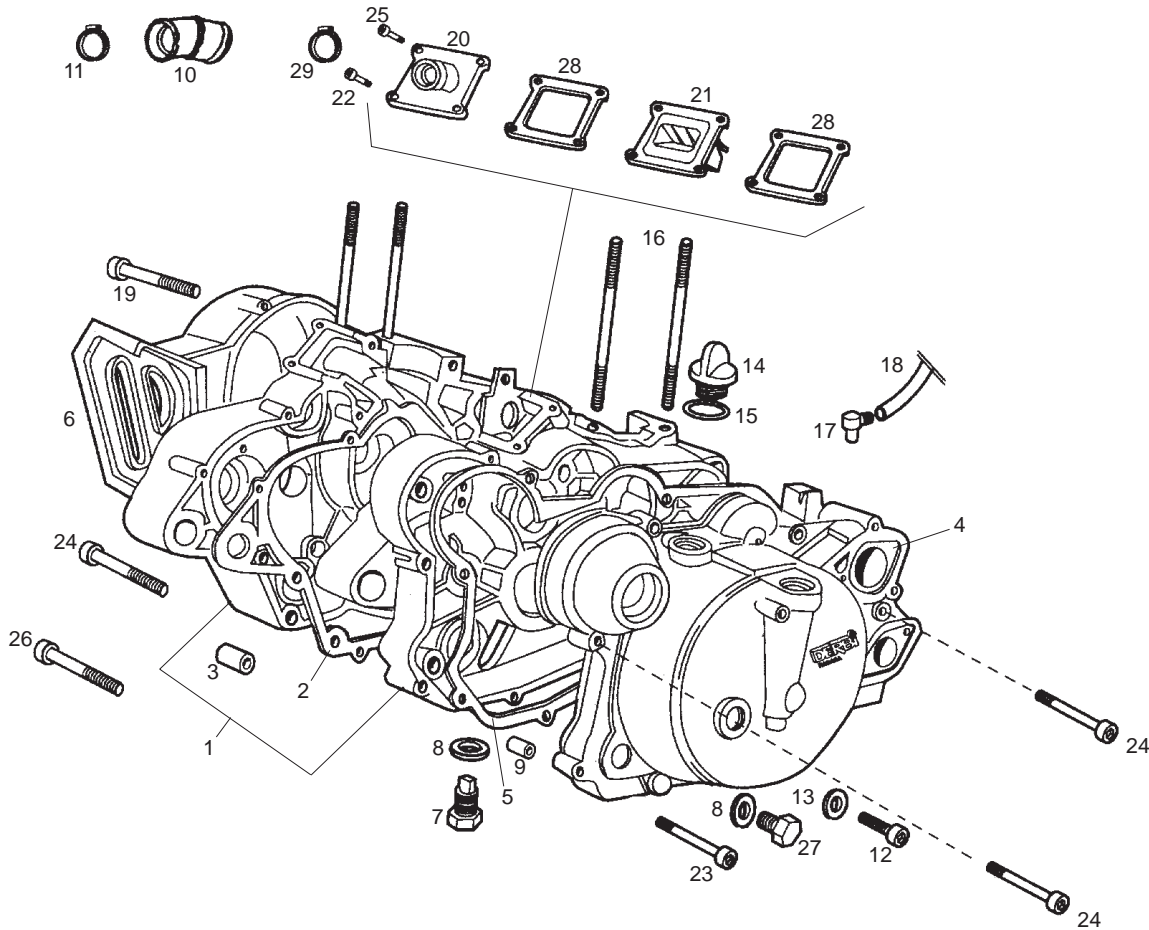


Fig.	Ver.	COD. KOD.	DESCRIPCIÓN DENOMINAZIONE NAME	BEZEICHNUNG DESIGNATION	MOD.	NOTAS NOTES NOTA MITSCHRIFT NOTES
12A		00002061011	TORNILLO C/ALLEN.6M100X10 VITE SCREW	SCHRAUBE VIS	1 2 3 4 5 6 7 8	
13A		00003102280	ARANDELA NIVEL ACEITE.D.6.ANTOR. RONDELLA WASHER	SCHEIBE RONDELLE	1 2 3 4 5 6 7 8	
14A		00H03000081	TORNILLO LLENADO ACEITE VITE SCREW	SCHRAUBE VIS	1 2 3 4 5 6 7 8	
15A		00001130370	ANILLO TORICO TAPON NIV.ACTE. ANELLO TORICO TAPPO LIVELLO OL WASHER SEALING	O-RING JOINT DE JAUGE D,HUILE	1 2 3 4 5 6 7 8	
16A		00003130050	ESPARRG.FIJ.CILINDRO. BULLONE FISSAGGIO CILINDRO STUD CYLINDER	STEBBOLZEN GOUJON DE FIXE CYLINDRE	1 2 3 4 5 6 7 8	
17A		00005530600	RACORD SALIDA GASES CART.4-6V. RACCORDI USCITA GAS CARTER . CRANKCASE VENT RACCORD	AUSGANGSSTUTZEN RACCORD DE SORTIE GAZ CARTE	1 2 3 4 5 6 7 8	
18A		00H03700461	TUBO RESPIR.DPTO.ACTE.GPR/75. TUBO RESPIRAZIONE SERBATOIO O VENT PIPE OIL TANK	ENTLUEFTUNGSSCHLAUCH TUYAU RESPIRATION RESERVOIR	1 2 3 4 5 6 7 8	
19A		00G03900821	TORNILLO C/ALLEN.6M100X30. VITE SCREW	SCHRAUBE VIS	1 2 3 4 5 6 7 8	
20A		00H02507061	BOQUILLA CARBURANTE ATTACCO CARBURATORE INTAKE MANIFOLD,	ANSAUGSTUTZEN ENSEMB.PIPE DIADMISSION	1 2 3 4 5 6 7 8	
21A		00H02510641	CTO.CAJA LAM.ADM.2598- CASSA LAMINAAMMISSI INLET BOX	MEMBRANE BOITE A CLAPETS	1 2 3 4 5 6 7 8	
22A		00G03000211	TORNILLO C/ALLEN.6M100X25. VITE SCREW	SCHRAUBE VIS	1 2 3 4 5 6 7 8	

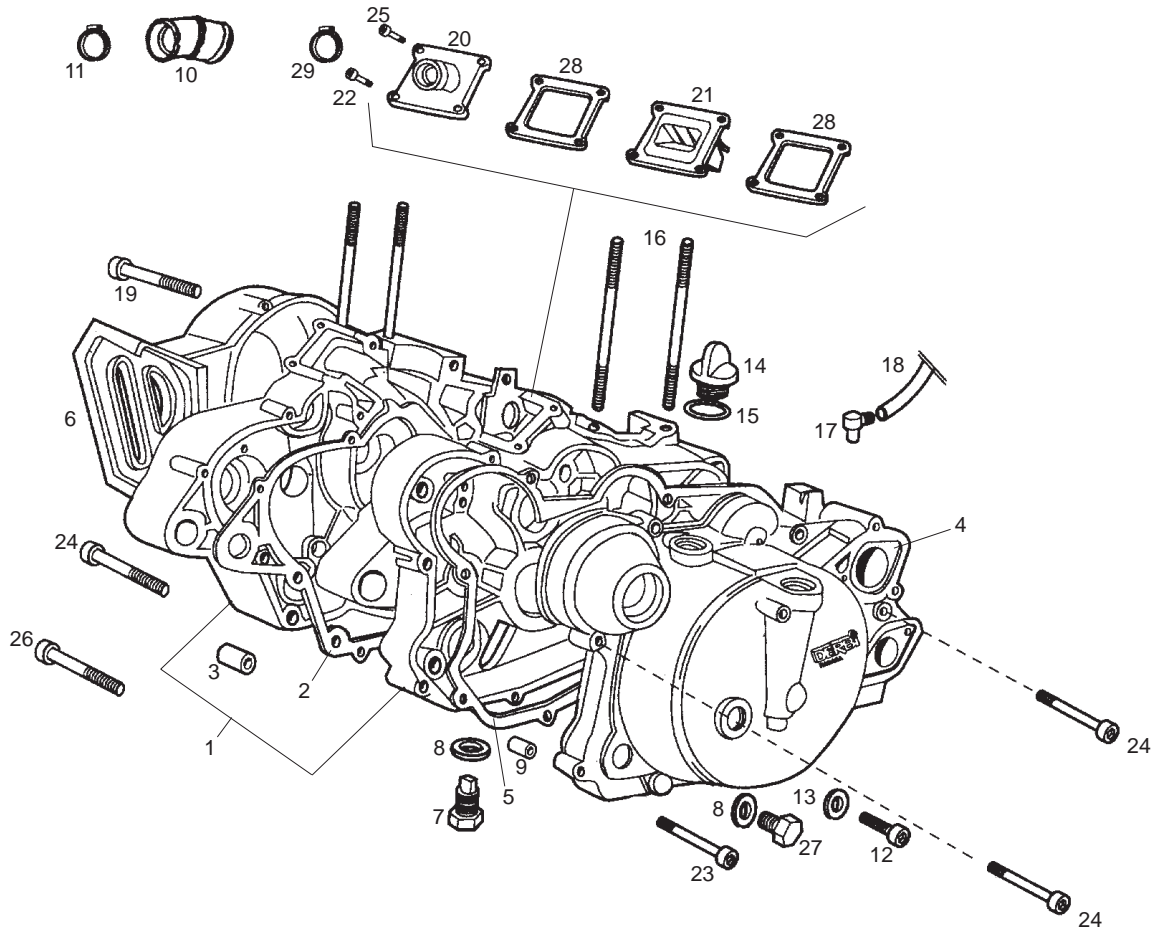


Fig.	Ver.	COD. KOD.	DESCRIPCIÓN DENOMINAZIONE NAME	BEZEICHNUNG DESIGNATION	MOD.	NOTAS NOTES NOTA MITSCHRIFT NOTES
23A		00G03001091	TORNILLO C/ALLEN.6M100X35 VITE SCREW	SCHRAUBE VIS	1 2 3 4 5 6 7 8	
24A		00G03002091	TORNILLO C/ALLEN.6M100X40 VITE SCREW	SCHRAUBE VIS	1 2 3 4 5 6 7 8	
25A		828152	TORNILLO VITE SCREW	SCHRAUBE VIS	1 2 3 4 5 6 7 8	
26A		00H03000091	TORNILLO C/ALLEN.6M100X50 VITE SCREW	SCHRAUBE VIS	1 2 3 4 5 6 7 8	
27A		00A03000132	TORNILLO VACIADO ACEITE. VITE SCREW	SCHRAUBE VIS	1 2 3 4 5 6 7 8	
28A		00H02500811	JUNTA SOPTE. VALVULA ADMIS. GUARNIZIONE SOSTEGNO VALVOLA A INLET VALVE GASKET	DICHTUNG VENTILHALTER JOINT BTE. CLAPETS	1 2 3 4 5 6 7 8	
29A		00H02500491	BRIDA OTIKER GHIERA OTIKER COLLAR OTIKER	ZÜGEL OTIKER BRIDE OTIKER	1 2 3 4 5 6 7 8	

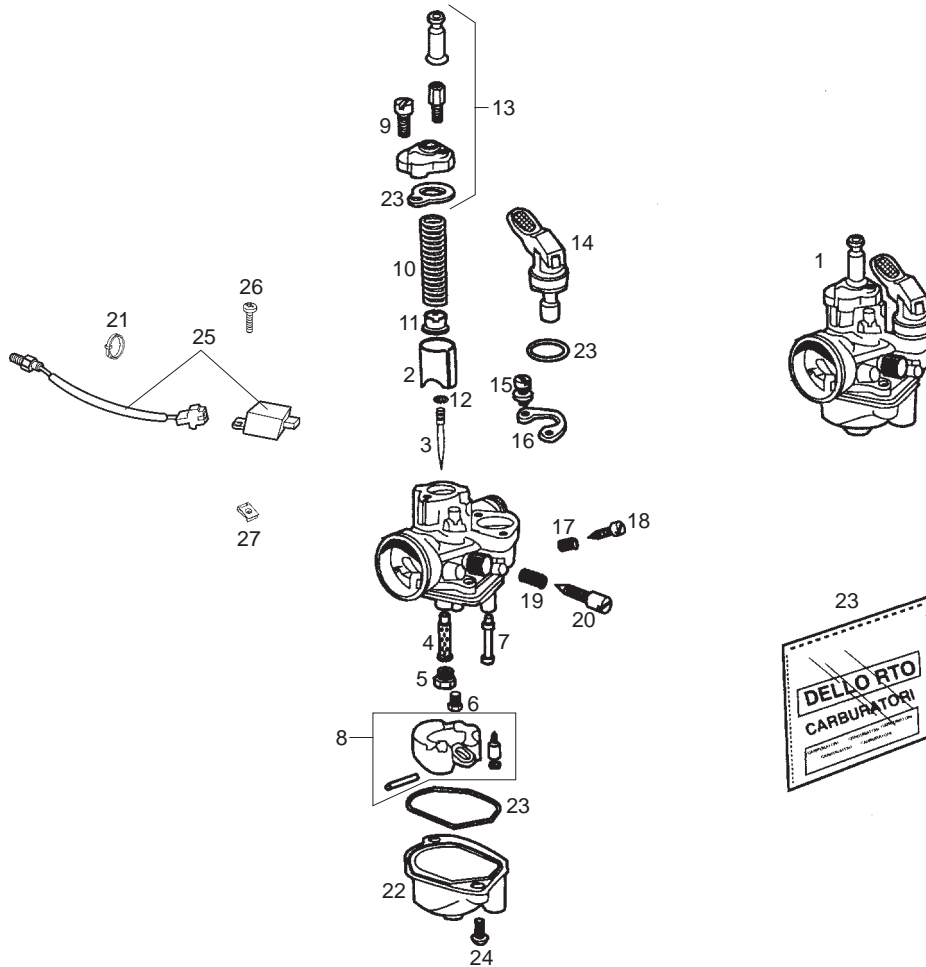


Fig.	Ver.	COD. KOD.	DESCRIPCIÓN DENOMINAZIONE NAME	BEZEICHNUNG DESIGNATION	MOD.	NOTAS NOTES NOTA MITSCHRIFT NOTES
01A		00H03243011	CTO. CARBURADOR CARBURATORE CARBURETOR	VERGASER KOMPL ENSEMBLE CARBURATEUR	1 2 4 5 7	
01B		00H03248011	CTO. CARBURADOR CARBURATORE CARBURETOR	VERGASER KOMPL ENSEMBLE CARBURATEUR	3 6 8	
02A		00F03201211	R-COMPUERTA GAS R-VALVOLA GAS SLIDE	GASSCHIEBER BOISSEAU	1 2 3 4 5 6 7 8	
03A		00H03214431	AGUJA PULVERIZADORA R-SPILLO SPRUZZATORE NEEDLE	DUESENNADELUSE AIGUILLE PULVERIZ.	1 2 3 4 5 6 7 8	
04A		00H03204421	R-PULVERIZADOR POLVERIZZATORE NEEDLE JET	ZERSTAUBERDUSE PULVERISATEUR	1 2 3 4 5 6 7 8	
05A		00F03200031	R-SURTIDOR MAX. 62 R-GETTO MASSIMO MAIN JET	HAUPT DUSE GICLEUR PRINCIPAL	1 2 4 5 7	
05B		00H03215031	R-SURTIDOR MAX. 63 R-GETTO MASSIMO MAIN JET	HAUPT DUSE GICLEUR PRINCIPAL	3 6 8	
06A		00H04107181	R-SURTIDOR MIN. 30 R-GETTO MINIMO JET MIN	DUESE MIN. R-GICLEUR MINIMUM.	1 2 4 5 7	
06B		00H04106181	R-SURTIDOR MIN. 33 R-GETTO MINIMO JET MIN	DUESE MIN. R-GICLEUR MINIMUM.	3 6 8	
07A		00H03203481	R-SURTIDOR ENTRADA AIRE R-GETTO INGRESSO IDLE JET	LUFTEINLASS-DUSE R-GICLEUR D'ENTRE D'AIR	1 2 3 4 5 6 7 8	
08A		00H03202281	R-KIT FLOTADOR R-GALLEGGIANTE FLOAT	SCHWIMMER R-FLOTTEUR	1 2 3 4 5 6 7 8	

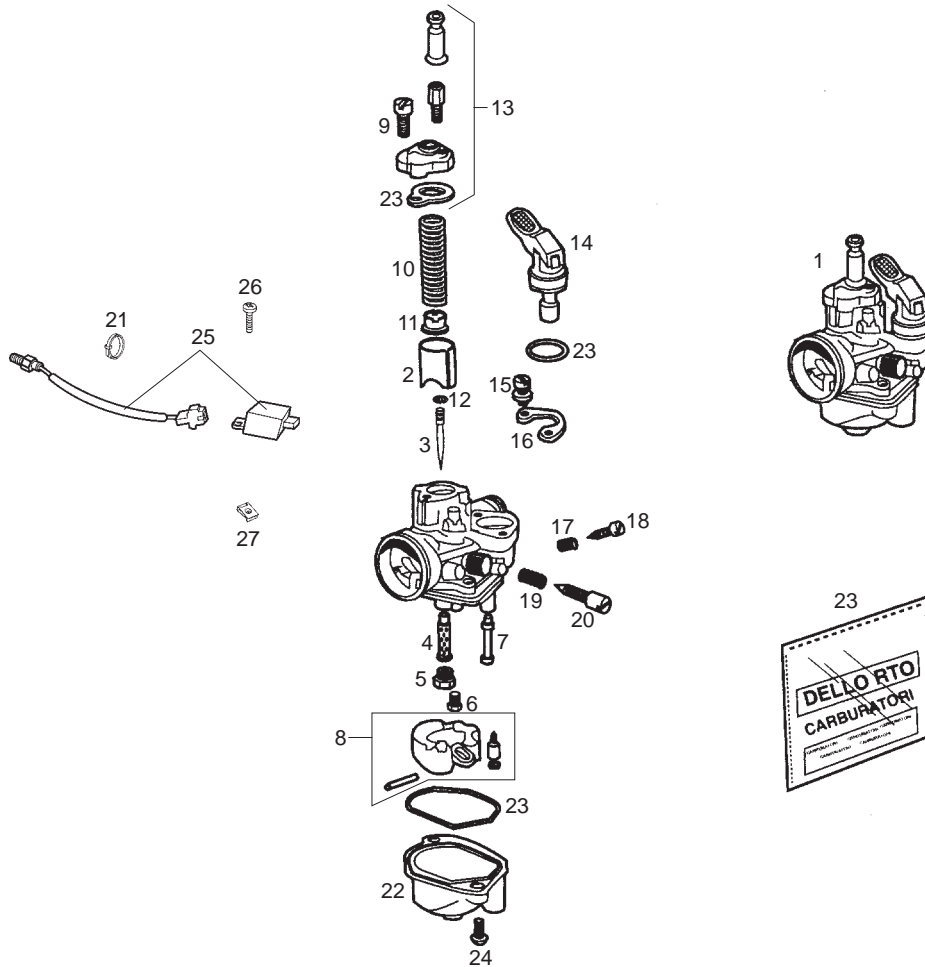


Fig.	Ver.	COD. KOD.	DESCRIPCIÓN DENOMINAZIONE NAME	BEZEICHNUNG DESIGNATION	MOD.	NOTAS NOTES NOTA MITSCHRIFT NOTES
09A		00G03200061	R-TORNILLO FIJ.TAPA CAMARA MEZCLA VITE SCREW	SCHRAUBE VIS	1 2 3 4 5 6 7 8	
10A		00G03201071	R-MUELLE VALVULA GAS R-MOLLA VALVOLA GAS VAMOS AV THROATLE VALVE RETURN	FEDER FUR GASVENTIL R-RESSORT VALVE ESS.	1 2 3 4 5 6 7 8	
11A		00G03200511	R-CASQUILLO AGUJA PULVERIZADORA R-GHIERA SPILLO SPRUZZATORE NEEDLE BUSHING	BUCHSE DUESENNADEL R-DOUILLE AIGUI.PULVERZ.	1 2 3 4 5 6 7 8	
12A		00G03201371	R-PINZA AGUJA PULVERIZADORA R-MORSA SPILLO SPRUZZATORE NEEDLE CIRCLIP	KLAMMER DUESENNADEL R-PINCE AIGUI.PULVERZ.	1 2 3 4 5 6 7 8	
13A		00H03204231	R-TAPA CAMARA MEZCLA R-COPERCHIO CAMARA MISCELA SE COVER CARBURETOR TOP	MISCHRAUMDECKEL COUVERCLE CARBURATEUR	1 2 3 4 5 6 7 8	
14A		00H03203711	R-CTO.STARTER R-STARTER CHOCKE LOCK	STARTERVENTIL VANNE DU STARTER MANUEL	1 2 3 4 5 6 7 8	
15A		00G03200541	R-TORNILLO FIJ.STARTER VITE SCREW	SCHRAUBE VIS	1 2 3 4 5 6 7 8	
16A		00G03200551	R-PRECINTO FIJACION STARTER SIGILLO SEAL	VERSIEGELUNG ATTACHE	1 2 3 4 5 6 7 8	
17A		00G03200721	R-MUELLE REGULACION AIRE MIN. MOLLA SPRING	FEDER RESSORT	1 2 3 4 5 6 7 8	
18A		00G03200731	R-TORNILLO REG.AIRE MIN. VITE SCREW	SCHRAUBE VIS	1 2 3 4 5 6 7 8	
19A		00G03200101	R-MUELLE REG.VALVULA GAS MOLLA SPRING	FEDER RESSORT	1 2 3 4 5 6 7 8	

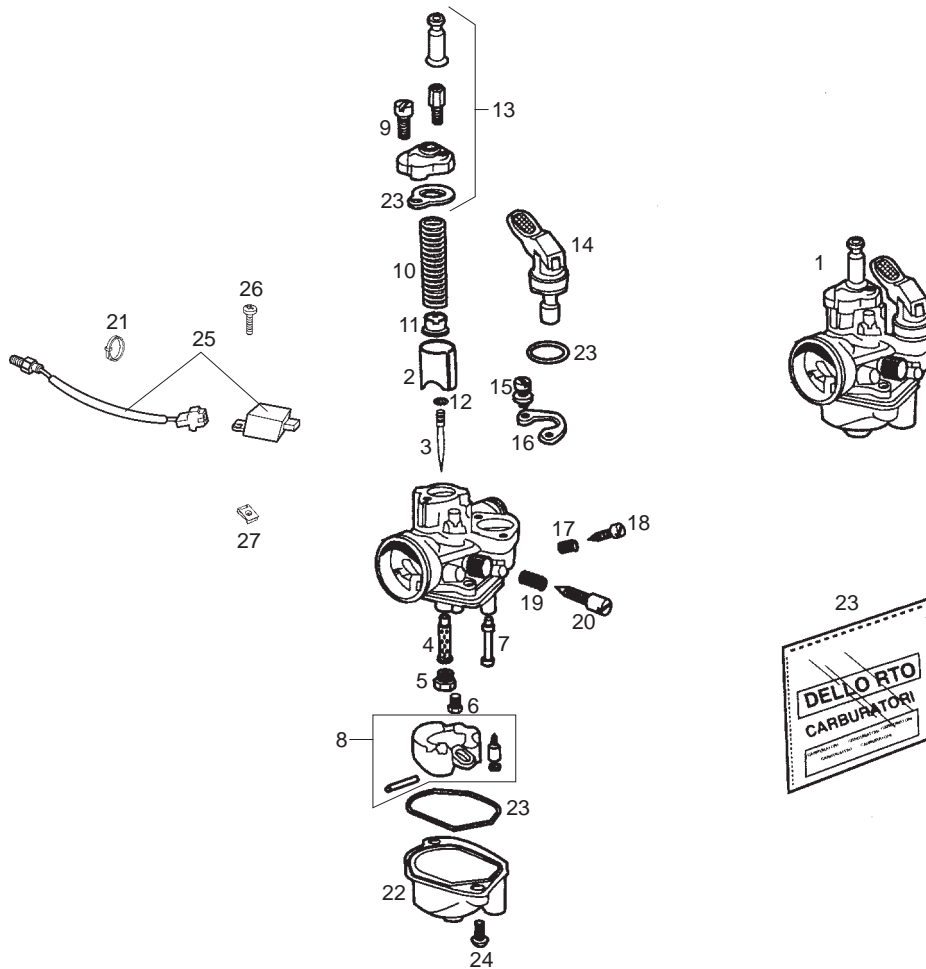


Fig.	Ver.	COD. KOD.	DESCRIPCIÓN DENOMINAZIONE NAME	BEZEICHNUNG DESIGNATION	MOD.	NOTAS NOTES NOTA MITSCHRIFT NOTES
20A		00G04102131	R-TORNILLO REGULACION VALVULA GAS VITE SCREW	SCHRAUBE VIS	1 2 3 4 5 6 7 8	
21A		00A00900531	BRIDA FLANGIA UNIONE CAVI BLACK CABLE TIE	KABELBINDER COLLIER	2 3 5 6 8	
22A		00H03201201	R-VASO GASOLINA R-VASCHETTA BENZZINA FLOAT BOWL SEET	SCHWIMMERKAMMER CUVE INFERIEURE CARBUR.	1 2 3 4 5 6 7 8	
23A		00G04100771	R-CTO.JUNTAS CARBURADOR R-GUARNIZIONE CARBU. CARBURETOR GASKET SET	DICHTUNGSATZ KOMPL. VERGAS R-ENS. JOINTS CARBUR.	1 2 3 4 5 6 7 8	
24A		00G03201091	R-TORNILLO FIJ.VASO GASOLINA VITE SCREW	SCHRAUBE VIS	1 2 3 4 5 6 7 8	
25A		00H06001151	CTO KIT CALENTADOR CARBURADOR KIT RISCALDAMENTO KIT CARBURETTOR HEATER	KABELBAUN FUR HEIZUNG VERG KIT QUI CHAUFFE CARBURATEUR	2 3 5 6 8	
26A		00D05900031	TORNILLO 6M100X10 VITE SCREW	SCHRAUBE VIS	2 3 5 6 8	
27A		00D01501371	TUERCA FIJACION D6 DADO NUT	MUTTER ECROU	2 3 5 6 8	

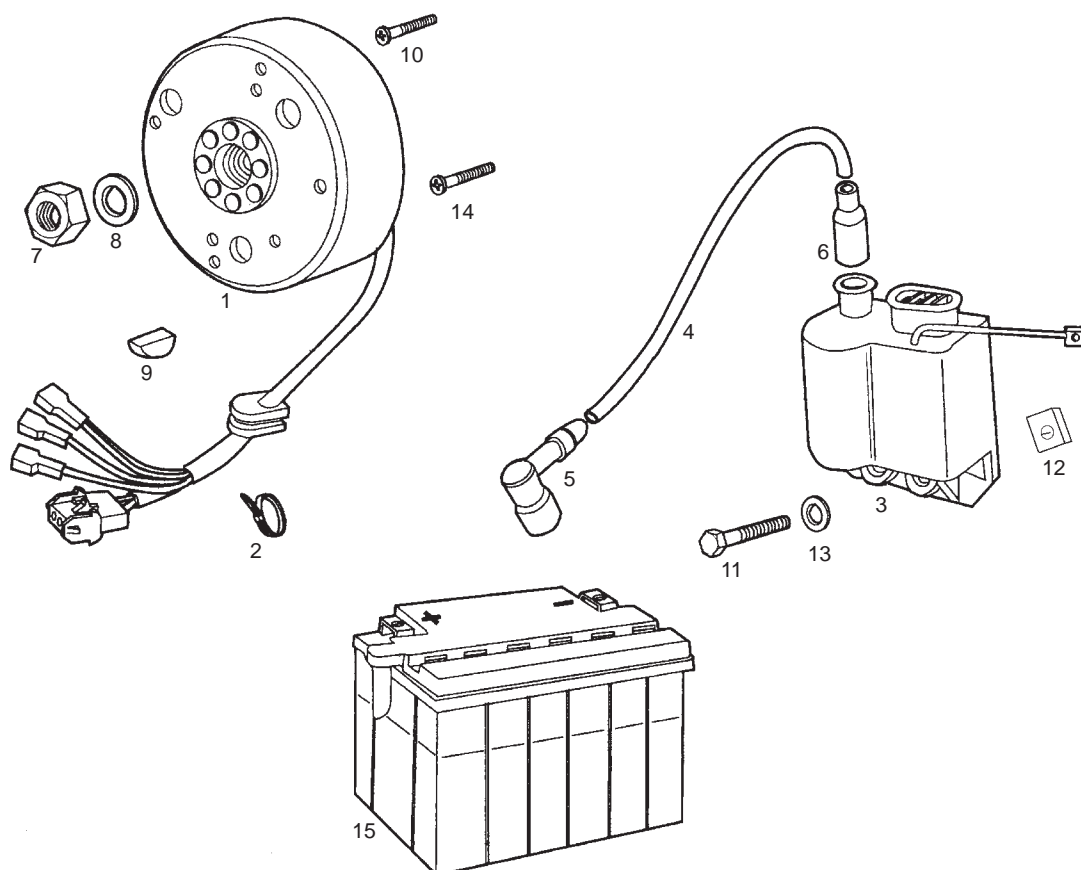


Fig.	Ver.	COD. KOD.	DESCRIPCIÓN DENOMINAZIONE NAME	BEZEICHUNG DESIGNATION	MOD.	NOTAS NOTES NOTA MITSCHRIFT NOTES
01A		00H03311011	CTO.VOLANTE MAGNETICO 85W VOLANO ELETTRONICO MAGNETO ASSEMBLY	LICHTMASCHINE KOMPL. VOLANT MAGNETIQUE	1 2 3 4 5 6 7 8	
01A		00H03311011	CTO.VOLANTE MAGNETICO 85W VOLANO ELETTRONICO MAGNETO ASSEMBLY	LICHTMASCHINE KOMPL. VOLANT MAGNETIQUE	1 2 3 4 5 6 7 8	
02A		00F00900531	BRIDA UNECABLES NEGRA FLANGIA UNIONE CAVI BLACK CABLE TIE	KABELBINDER COLLIER	1 2 3 4 5 6 7 8	
03A		00H03330171	CTO CONVERSIONE ELETTRONICO COVERTITORE ELETTRON COIL, PRIMARY IGNITION	ZUNDSPULE BOBINE AUTE TENSION	1 2 4 5 7	
03B		00H03334171	CTO CONVERSIONE ELETTRONICO COVERTITORE ELETTRON COIL, PRIMARY IGNITION	ZUNDSPULE BOBINE AUTE TENSION	3 6 8	
04A		00F03310741	CABLE BOBINA.START.A.E. CAVO BOBINA START.A.E. CABLE COIL PRIMARY IGNITION	ZUNDSPULENKABEL CABLE	1 2 3 4 5 6 7 8	
05A		00G03301271	CTO. PIPA BUJIA (MTA.) PIPETA CANDELA COVER, SPARK PLUG	ZUNDKERZENSTECRER PIPE DE BOUGIE	1 2 3 4 5 6 7 8	
06A		00F03300731	CAPUCHON CABLE BOBINA SCO-50. CAPPuccio CAVO BOBINA SCO-50. COIL CABLE RUBBER PROTECTOR	KAPPE CAPUCHON	1 2 3 4 5 6 7 8	
07A		00H03300221	TUERCA FIJ.VOLTE.MAGN. DADO NUT	MUTTER ECROU	1 2 3 4 5 6 7 8	
08A		00F03300241	ARANDELA FIJ.VOLTE.MAGN.SCO.DCT. RONDELLA WASHER	SCHEIBE RONDELLE	1 2 3 4 5 6 7 8	
09A		00003133230	CHAVETA VOLTE.MAGN.P.REC.MCH. SPINA VOLANO MAGNETICO .P.REC. KEY, FLYWHEEL	KEIL CLAVETTE VOLANT MAGNETIQUE	1 2 3 4 5 6 7 8	

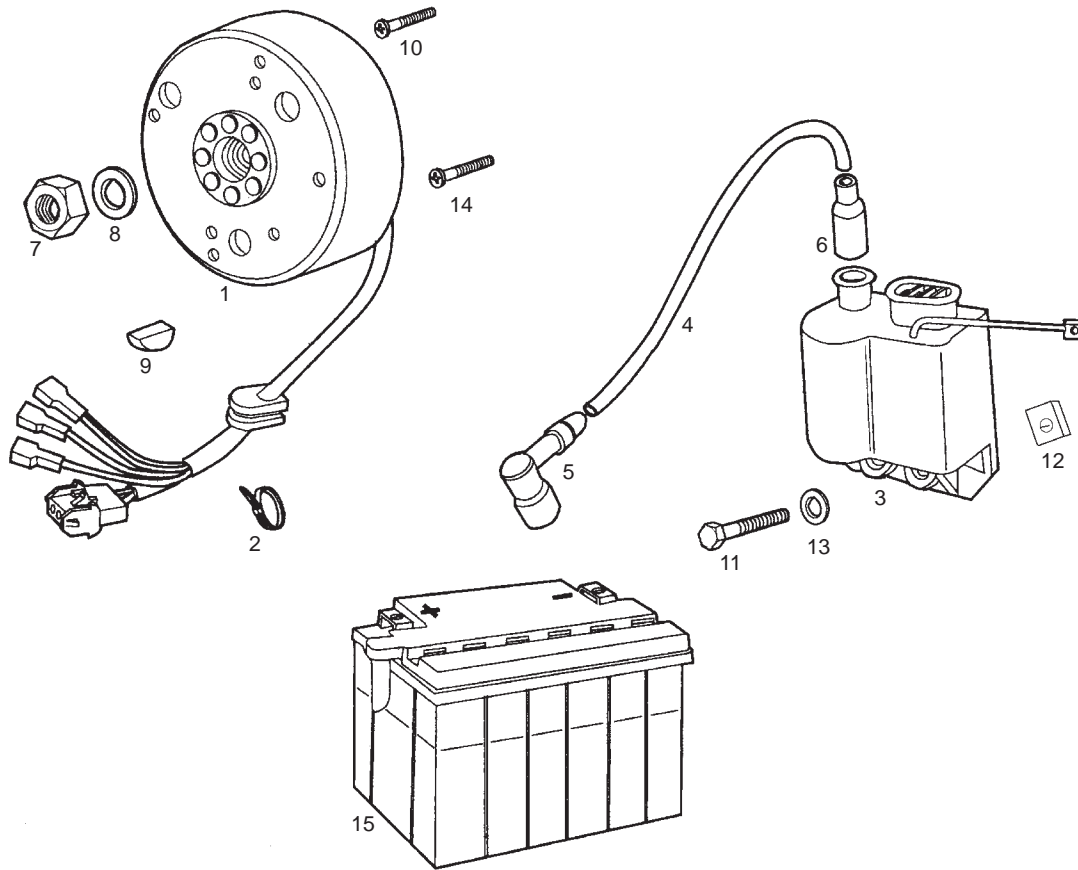


Fig.	Ver.	COD. KOD.	DESCRIPCIÓN DENOMINAZIONE NAME	BEZEICHNUNG DESIGNATION	MOD.	NOTAS NOTES NOTA MITSCHRIFT NOTES
10A		00003133260	TORNILLO FIJ.VOLTE.MAGN.5M80X10. VITE SCREW	SCHRAUBE VIS	1 2 3 4 5 6 7 8	
11A		00012162000	TORNILLO C/EXAG. 5M80X16 VITE SCREW	SCHRAUBE VIS	1 2 3 4 5 6 7 8	
12A		00D01501371	TUERCA FIJ.CUBRECAD.212827 DADO NUT	MUTTER ECROU	1 2 3 4 5 6 7 8	
13A		00D01200171	ARANDELA PLANA MEC.D.5 RONDELLA WASHER	SCHEIBE RONDELLE	1 2 3 4 5 6 7 8	
14A		00000012420	TORNILLO C/RED.CRUIZ 4M70X20 VITE SCREW	SCHRAUBE VIS	1 2 3 4 5 6 7 8	
15A		00G03301401	BATERIA 12V. 4AH. BATTERIA 12V BATTERY 12V. 4AH.	BATTERIE.12V. BATTERIE.12V. 4AH. START.A.	1 2 3 4 5 6 7 8	

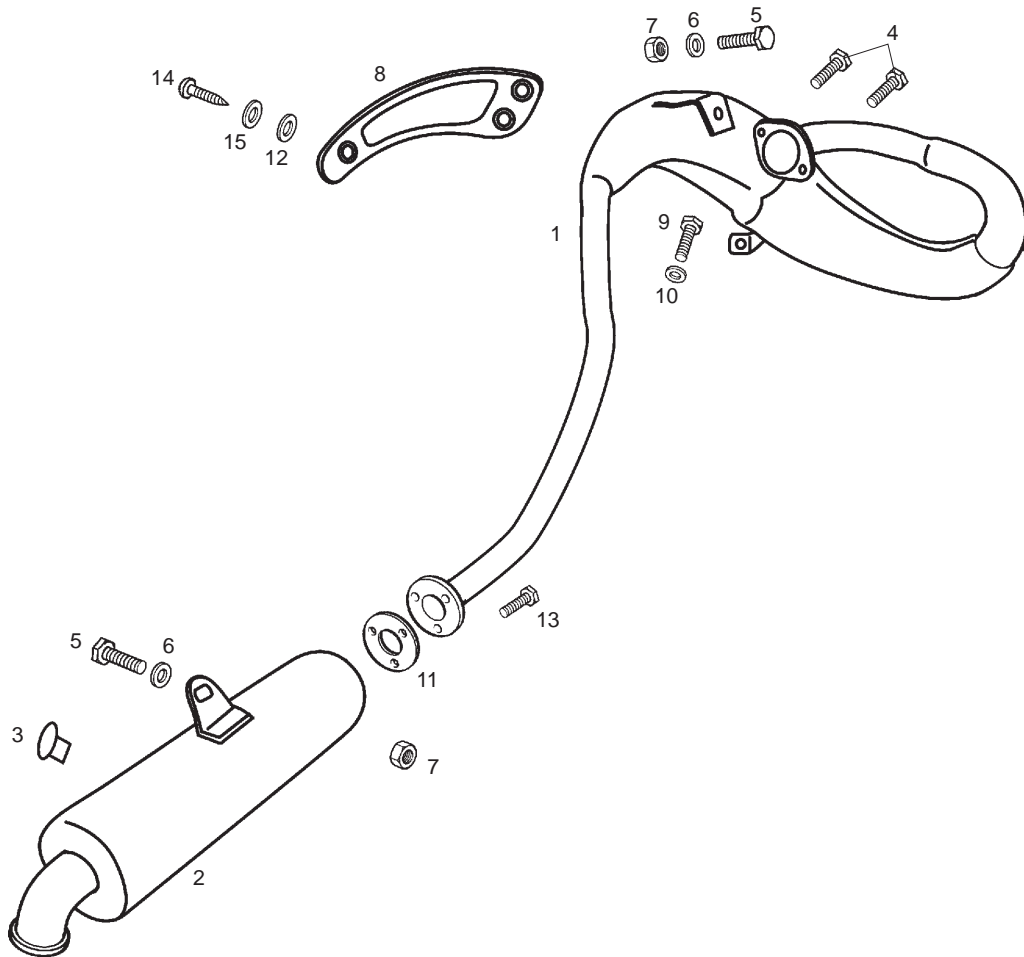


Fig.	Ver.	COD. KOD.	DESCRIPCIÓN DENOMINAZIONE NAME	BEZEICHUNG DESIGNATION	MOD.	NOTAS NOTES NOTA MITSCHRIFT NOTES
01A		00H03439081	SCTO TUBO ESCAPE SENDA R E2 SUBCOMP.TUBO SCAPP-SIL. EXHAUST PIPE AND MUFFLER	AUSPUFF ENSEMBLE TUBE DIECHAPPEMENT	1 2 4 5 7	
01B		00H03446081	SCTO TUBO ESCAPE SENDA R E2 SUBCOMP.TUBO SCAPP-SIL. EXHAUST PIPE AND MUFFLER	AUSPUFF ENSEMBLE TUBE DIECHAPPEMENT	3 6 8	
02A		00H03423411	SCTO SORDINA SENDA R SUBCOMP.SORD. EXHAUST TANK	SCHALLDAMPFER SILENCIEUX DIECHAPPEMENT	1 2 3 4 5 6 7 8	
03A		00G01500951	TOPE GOMA APPOGGIO ZAMPA CAVALLETO SIDE STAND REST	GUMMISTOPPEL APPUI BEQUILLE LATERALE	1 2 3 4 5 6 7 8	
04A		00002062011	TORNILLO C/ALLEN.6M100X20 VITE SCREW	SCHRAUBE VIS	1 2 3 4 5 6 7 8	
05A		00012081621	TORNILLO 8M125X16 Zn.B VITE SCREW	SCHRAUBE VIS	1 2 3 4 5 6 7 8	
06A		00402080001	ARANDELA D8 RONDELLA WASHER	SCHEIBE RONDELLE	1 2 3 4 5 6 7 8	
07A		00023108000	TUERCA AUTOBLOCANTE 8M125 DADO NUT	MUTTER ECROU	1 2 3 4 5 6 7 8	
08A		00H01800402	PROTECTOR SILENCIADOR PROTEZIONE SILENZIATORE SILENCER SHIELD	SCHALLDAEMPERSCHUTZ PROTECT.SIL.	1 2 3 4 5 6 7 8	
09A		00004061600	TORNILLO VITE SCREW	SCHRAUBE VIS	1 2 3 4 5 6 7 8	
10A		00000033060	ARANDELA PLANA RONDELLA PIATTA D6 MACINED FLAT WASHER D6 DIN	SCHEIBE D.6 ROND.PLATE MECANISEE D6DIN	1 2 3 4 5 6 7 8	

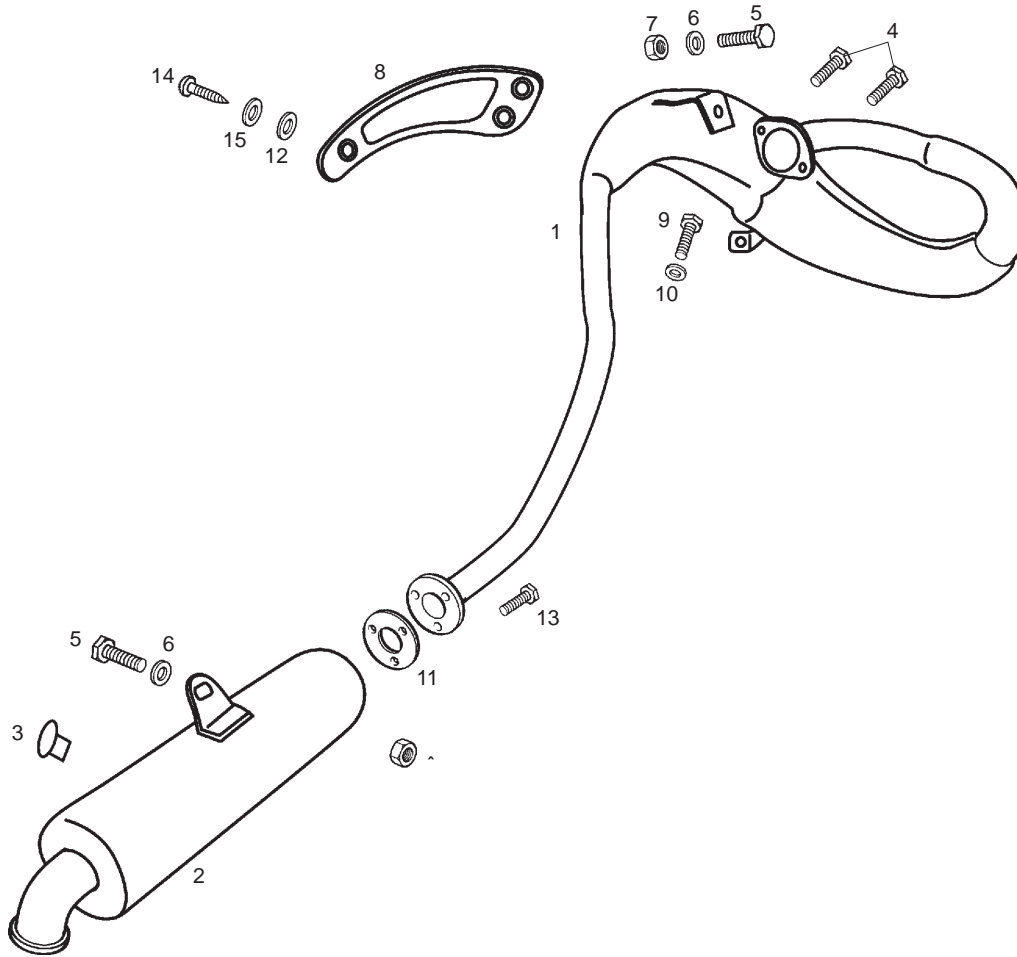


Fig.	Ver.	COD. KOD.	DESCRIPCIÓN DENOMINAZIONE NAME	BEZEICHNUNG DESIGNATION	MOD.	NOTAS NOTES NOTA MITSCHRIFT NOTES
11A		00H03404321	JUNTA GUARNIZIONE GASKET	DICHTUNG JOINT	1 2 3 4 5 6 7 8	
12A		00D02600631	ARANDELA RONDELLA FERMO MOLLA FRIZIONE CLUTCH SPRING STOP WASHER	SCHEIBE ROND.BUTEE RESSORT EMBRAYA.	1 2 3 4 5 6 7 8	
13A		00D05910081	TORNILLO VITE SCREW	SCHRAUBE VIS	1 2 3 4 5 6 7 8	
14A		00000012415	TORNILLO VITE SCREW	SCHRAUBE VIS	1 2 3 4 5 6 7 8	
15A		00F04201361	REMACHE RIBADITURA RIVET	RIVET RIVET	1 2 3 4 5 6 7 8	

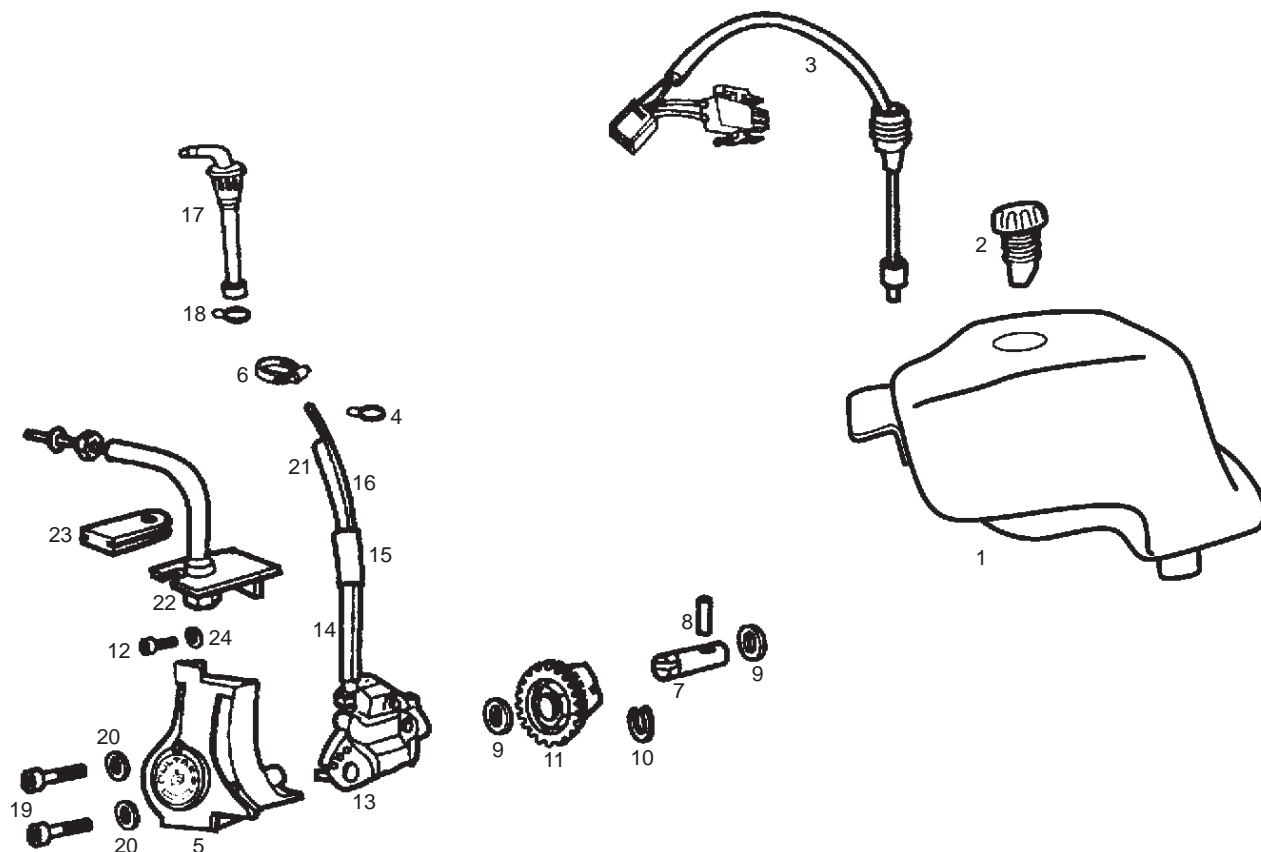


Fig.	Ver.	COD. KOD.	DESCRIPCIÓN DENOMINAZIONE NAME	BEZEICHUNG DESIGNATION	MOD.	NOTAS NOTES NOTA MITSCHRIFT NOTES
01A		00H03704081	SCTO.DEPOSITO ACEITE. SUBSERBATOIO OLIO SE OIL, TANK	OILTANK RESERVOIR D,HUILLE	1 2 3 4 5 6 7 8	
02A		00F03710241	CTO.TAPON DEPTO.ACTE.SCO/90. TAPPO SERBATOIO OLIO OIL RESERVOIR FILLER PLUG ASSY	STOPFEN OELTANK ENS. BOUCHON RESERV.HUILLE S	1 2 3 4 5 6 7 8	
03A		00H03703051	CTO. INDICAD. NIVEL ACEITE TAPPO SERBATOIO OLIO OIL RESERVOIR FILLER PLUG ASSY	OLSTANDSGEBER NIVEAU D#HUILLE	1 2 3 4 5 6 7 8	
04A		00F03710131	ABRAZADERA ELASTICA D 8.6 FASCETTA ELASTICA ELASTIC CLAMP	ELAST. KLAMMER CRAMPON ELASTIQUE	1 2 3 4 5 6 7 8	
05A		00H03705011	TAPA BOMBA ACEITE CORPECHIO POMPA OLIO OIL PUMP HOUSING COVER	ABDECKUNG COUVERCLE DE POMPE A HUILLE	1 2 3 4 5 6 7 8	
06A		00H03700211	BRIDA FIJ.TUBO ACT.ABOQ.GPR75 GHIERA FISSAGGIO TUBO OLIO AD COLLAR OIL FLEXIBLE TUBE	BEF.-SHELLE BRIDE TUYAU D4HUILLE	1 2 3 4 5 6 7 8	
07A		00H03700101	EJE BOMBA ACEITE. ASSE POMPA OLIO PUMPOILAXLE	OLPUMPUNACHSE AXE DE POMPE D,HUILLE	1 2 3 4 5 6 7 8	
08A		00053030000	PASAD.SUJ.ESPIR.3,-X20.D-7343. CHIAVISTELLO SOSTEGNO SPIRALE FORK PIN	STIFT GOUDILLE	1 2 3 4 5 6 7 8	
09A		00H05000281	ARANDELA TOPE PIÑON INTERMD. RONDELLA WASHER	SCHEIBE RONDELLE	1 2 3 4 5 6 7 8	
10A		00000047110	ANILLO SEG.EJES D10.DIN-471. ANELLO SICUREZZA ASSI D10 D-47 CIRCLIP, BRAKE SHOE RETENTION	SEEGERRING CIRCLIP POUR AXE D10	1 2 3 4 5 6 7 8	
11A		00H03800381	PIÑON BOMBAS AGUA /ACEITE 80 C.C. PIGNONE ACQUA/OLIO 80 C.C. PUMP OIL GEAR	ZAHNRAD PIGNON POMPE D,HUILLE	1 2 3 4 5 6 7 8	

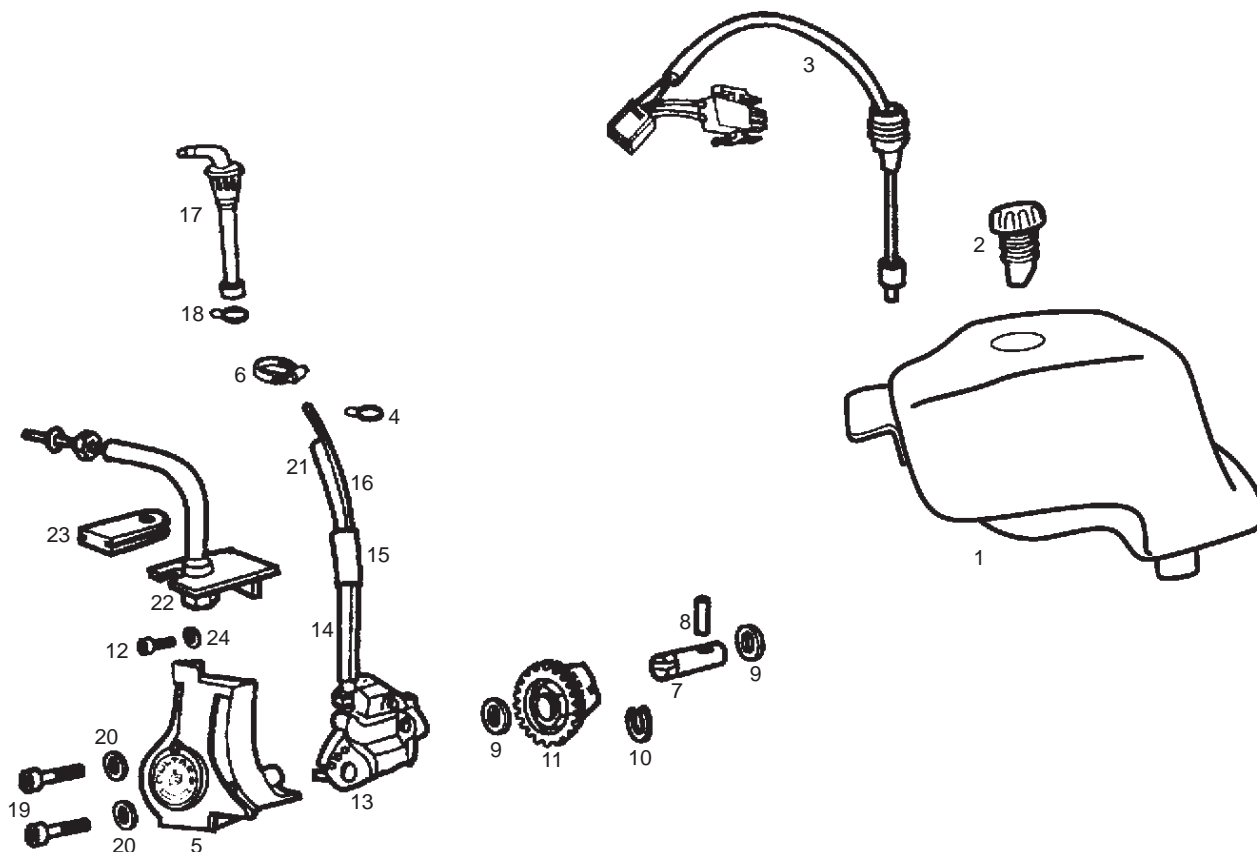


Fig.	Ver.	COD. KOD.	DESCRIPCIÓN DENOMINAZIONE NAME	BEZEICHNUNG DESIGNATION	MOD.	NOTAS NOTES NOTA MITSCHRIFT NOTES
12A		00000004510	TORNILLO C/ALLEN.5M80X10 VITE SCREW	SCHRAUBE VIS	1 2 3 4 5 6 7 8	
13A		00H03704021	CTO.BOMBA ACEITE. POMPA OLIO OIL PUMP	OLPUMPE POMPE A HUILLE	1 2 3 4 5 6 7 8	
14A		00F00406321	TUBO TUBO TUBE	ROHR TUYAU	1 2 3 4 5 6 7 8	
15A		00H03700351	MANGUITO UNION TUB.ACTE. MANICOTTO UNIONE TUBO OLIO OIL PIPE COUPLING CONNECTOR	VERBINDUNG MANCHON RACCORD TUYEAU DIHU	1 2 3 4 5 6 7 8	
16A		00H03702121	TUBO TUBO TUBE	ROHR TUYAU	1 2 3 4 5 6 7 8	
17A		00H03701411	CTO.FILTRO ACEITE. FILTRO OLIO BY-PAS OIL FILTER	FILTER FILTRE A HUILLE	1 2 3 4 5 6 7 8	
18A		00G00400501	ABRAZADERA FIJACION GRIFO FASCETTA ELASTICA CLAMP	BEF.-SCHELLE ENTRETOISE	1 2 3 4 5 6 7 8	
19A		00002051551	TORNILLO C/ALLEN 5M80X15 VITE SCREW	SCHRAUBE VIS	1 2 3 4 5 6 7 8	
20A		00000031050	ARANDELA D5 RONDELLA WASHER	SCHEIBE RONDELLE	1 2 3 4 5 6 7 8	
21A		00F00403321	TUBO SALIDA.DPTO.ACTE. TUBO USCITA SERBATOIO OLIO OIL FLEX, PUMP	AUSGANGSROHR OLBEH TUYAU DIHUILE	1 2 3 4 5 6 7 8	
22A		00H03700311	SCTO.SOPTE.GUIA CABLES. SUBSOSTEGNO GUIDA CA OIL CABLE, SUPPORT	HALTER F. KABELFUHRUNG SOUS-ENS SUPPORT CABLE HUIL	1 2 3 4 5 6 7 8	

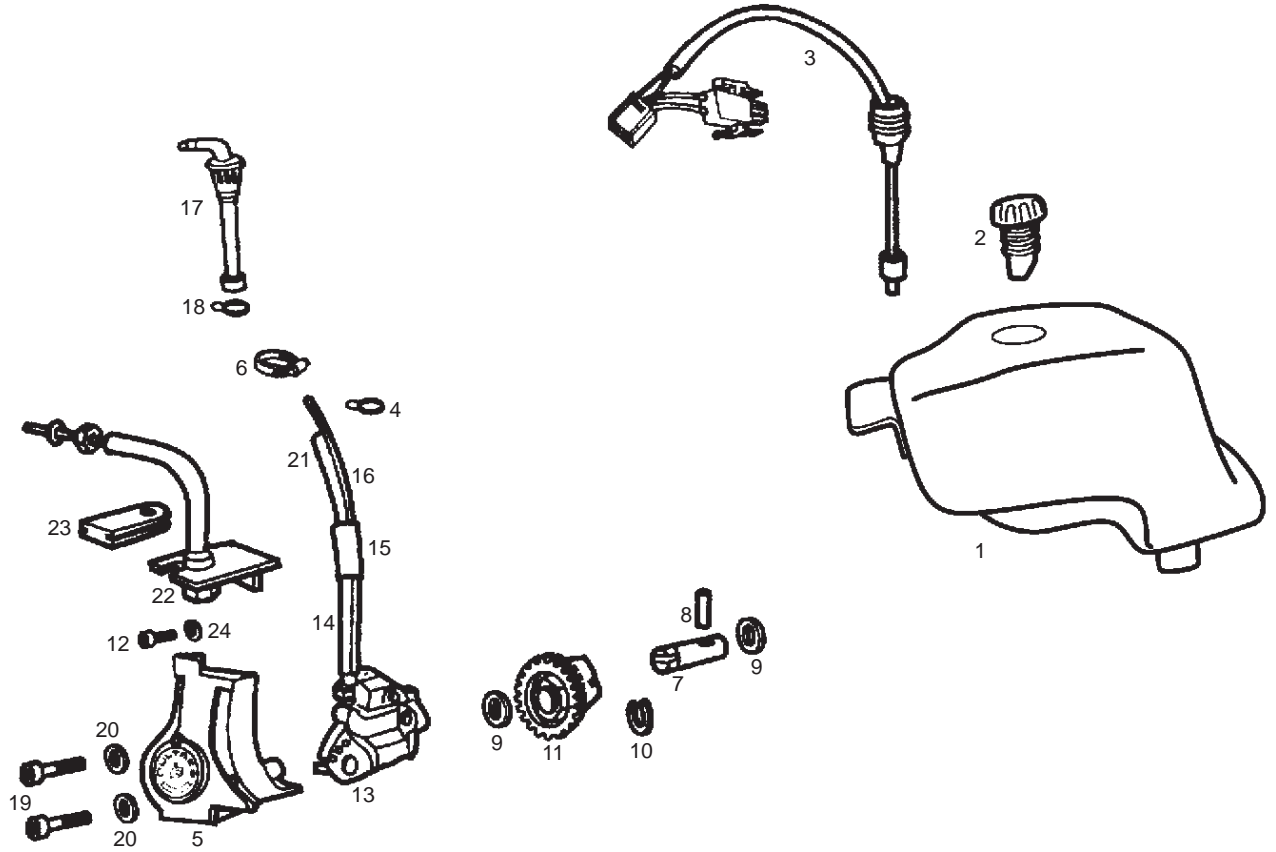


Fig.	Ver.	COD. KOD.	DESCRIPCIÓN DENOMINAZIONE NAME	BEZEICHNUNG DESIGNATION	MOD.	NOTAS NOTES NOTA MITSCHRIFT NOTES
23A		00H03700141	PASACAB.SAL.BOMBA ACTE. PASSACAVI USCITA POMPA OLIO RUBBER	GUMMI CAOUTCHOUC	1 2 3 4 5 6 7 8	
24A		00000031050	ARANDELA PLANA MEC.D.5 RONDELLA WASHER	SCHEIBE RONDELLE	1 2 3 4 5 6 7 8	

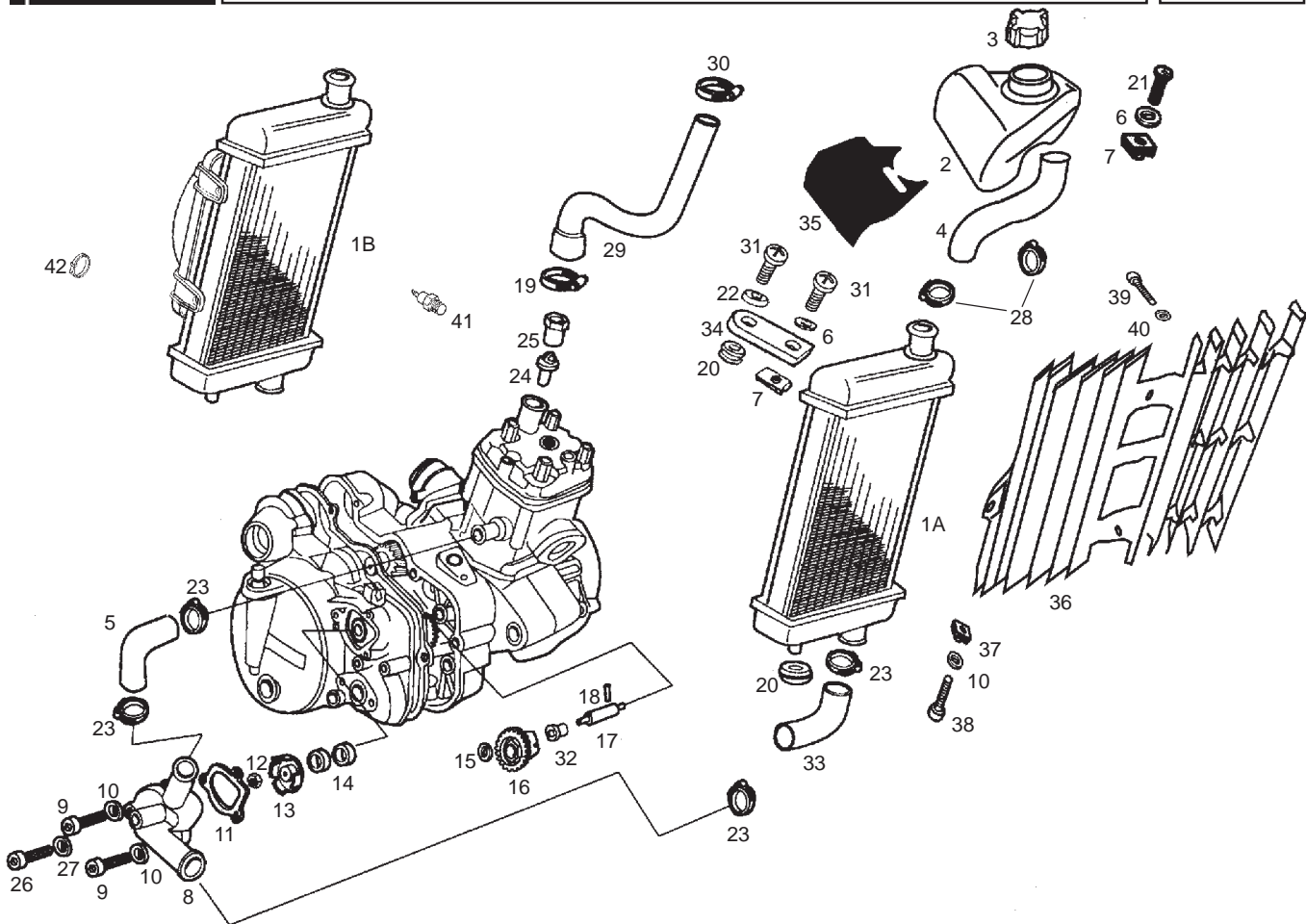


Fig.	Ver.	COD. KOD.	DESCRIPCIÓN DENOMINAZIONE NAME	BEZEICHNUNG DESIGNATION	MOD.	NOTAS NOTES NOTA MITSCHRIFT NOTES
01A		00H03805011	SCTO. RADIADOR SUBRADIATORE RADIATOR ASSY.	RADIATOR ASSY. RADIATEUR	1 4 7	
01B		00H03802541	CTO. RADIADOR CON ELECTROVENT. SUBRADIATORE RADIATOR ASSY.	RADIATOR ASSY. RADIATEUR	2 3 5 6 8	
02A		00H03802501	DEPOSITO AGUA RADIADOR. SERBATOIO ACQUA RADIATORE WATER TANK	WASSERBEHALTER VASE DI EXPANSION	1 2 3 4 5 6 7 8	
03A		00H03802472	CTO. TAPON RADIAD/DEP. AG. TAPPO RADIATORE/SERBATOIO WATER RESERVOIR/RAD CAP ASSY	KUEHLERDECKEL BOUCHON DE RESERVOIR D,EAU	1 2 3 4 5 6 7 8	
04A		00G03800601	TUBO REFR. BOMBA-RADIAD. TUBO REFRIGERAZIONE POMPA-RADI RADIATOR PUMP RUBBER TUBE	KUHLMITTELSCHLAUCH PUMPE K TUBE POMPE-RADIATEUR	1 2 3 4 5 6 7 8	
05A		00H03801041	TUBO REFR. BOMBA-CILIND. TUBO REFRIGERAZIONE PUMP CILINDER RUBBER TUBE	KUHLMITTELSCHLAUCH PUMPE-Z TUBE POMPE-CYLINDRE	1 2 3 4 5 6 7 8	
06A		00D01200171	ARANDELA EJE LEVA-FIJ. CUBRECAD. RONDELLA WASHER	SCHEIBE RONDELLE	1 2 3 4 5 6 7 8	
07A		00D01501371	TUERCA FIJ. CUBRECAD. 212827 DADO NUT	MUTTER ECROU	1 2 3 4 5 6 7 8	
08A		00H03800134	TAPA BOMBA AGUA GRIS SARGA COPERCHIO POMPA ACQUA WATER PUMP COVER	DECKEL F. WASSERPUMPE COUVERCLE DE POMPE D,EAU	1 2 3 4 5 6 7 8	
09A		00002052051	TORNILLO C/ALLEN 5M80X15 VITE SCREW	SCHRAUBE VIS	1 2 3 4 5 6 7 8	
10A		00000031050	ARANDELA PLANA MEC. D.5 RONDELLA WASHER	SCHEIBE RONDELLE	1 2 3 4 5 6 7 8	

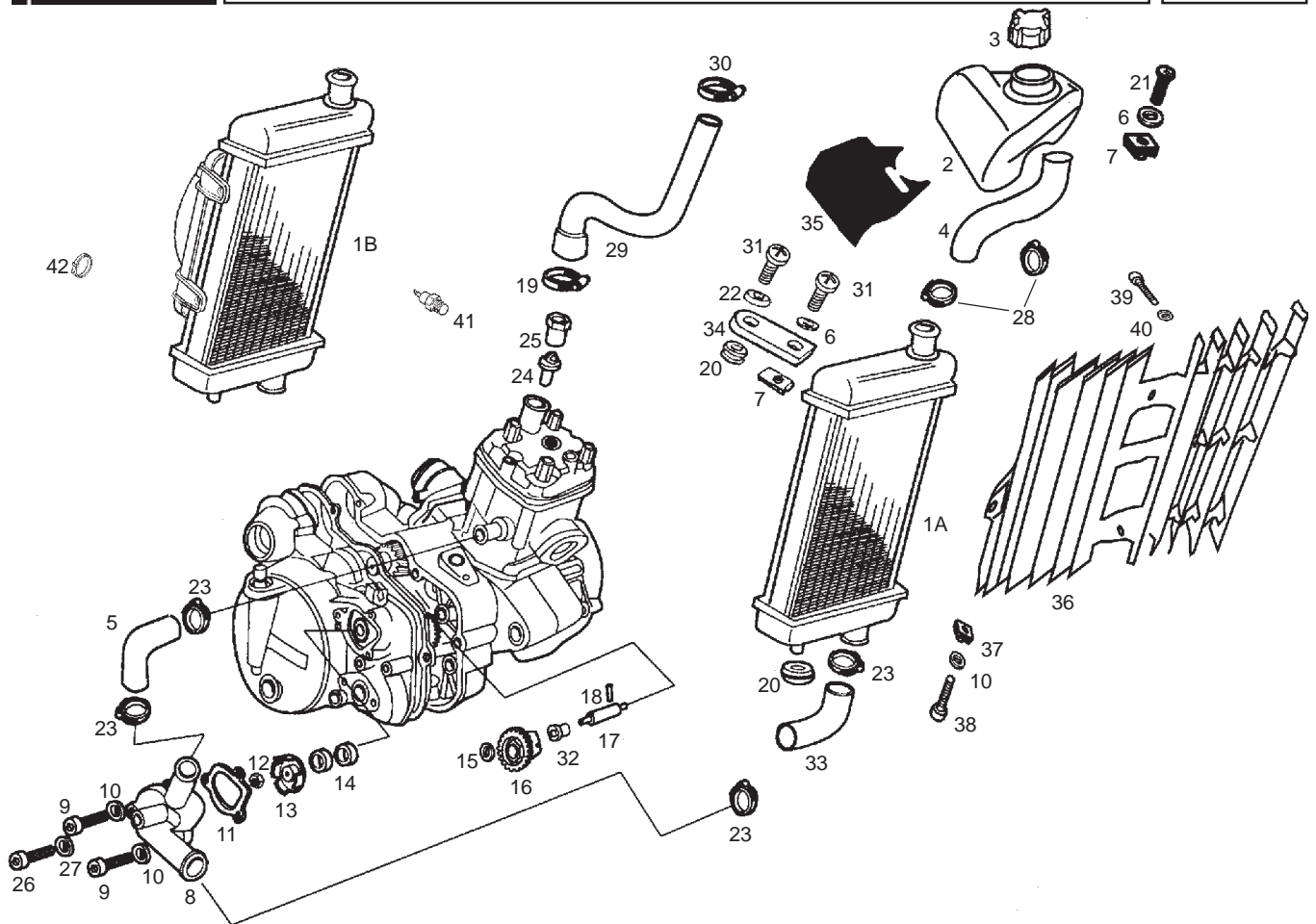


Fig.	Ver.	COD. KOD.	DESCRIPCIÓN DENOMINAZIONE NAME	BEZEICHNUNG DESIGNATION	MOD.	NOTAS NOTES NOTA MITSCHRIFT NOTES
11A		00H03800141	JUNTA TAPA BOMBA AGUA. GUARNIZIONE COPERCHIO POMPA AC GASKET	DICHTUNG F. WASSERPUMPENDE JOINT POMPE EAU	1 2 3 4 5 6 7 8	
12A		00M03800221	TUERCA 5M80 DE LATON DADO NUT	MUTTER ECROU	1 2 3 4 5 6 7 8	
13A		00H03800151	RODETE BOMBA AGUA.80CC. ROCCHETTO POMPA ACQUA 80CC WATER PUMP ROLLER	LAUFER F. WASSERPUMP CHIGNON POMPE D,EAU	1 2 3 4 5 6 7 8	
14A		00H03810211	RETEN EJE BOMBA AGUA 10X24X6 GIUNTO TENUTA POMPA ACQUA 10X2 SEAL, WATER PUMP	DICHTRING BUTEE POMPE A EAU (UNITE)	1 2 3 4 5 6 7 8	
15A		00H05000281	ARANDELA TOPE PIÑON INTERMD. RONDELLA WASHER	SCHEIBE RONDELLE	1 2 3 4 5 6 7 8	
16A		00H03800381	PIÑON BOMBAS AGUA/ACEITE.80CC. PIGNONE POMPE ACQUA/OLIO 80CC PUMP OIL GEAR	ZAHNRAD PIGNON POMPE D,HUILLE	1 2 3 4 5 6 7 8	
17A		00H03800161	EJE BOMBA AGUA. ASSE POMPA ACQUA WATER-PUMP SHAFT	WASSERPUMPENACHSE AXE POMPE D,AEU	1 2 3 4 5 6 7 8	
18A		00053030000	PASAD.SUJ.ESPIR.3,-X20.D-7343. CHIAVISTELLO SOSTEGNO SPIRALE FORK PIN	STIFT GOUDILLE	1 2 3 4 5 6 7 8	
19A		00H03800451	ABRAZ.GRIFO GASOL.D20 FASCETTA RUBINETTO BENZINA .D2 PETROL VALVE CLAMP	BEF. SCHELLE COLLIER	1 2 3 4 5 6 7 8	
20A		00008915020	PROTECCION CABLES. PROTEZIONE CAVI RUBBER,CABLE PROTECTOR	GUMMI PASSE-CABLE	1 2 3 4 5 6 7 8	
21A		00012161600	TORNILLO C/RED.CRUZ.6M100X16 VITE SCREW	SCHRAUBE VIS	1 2 3 4 5 6 7 8	

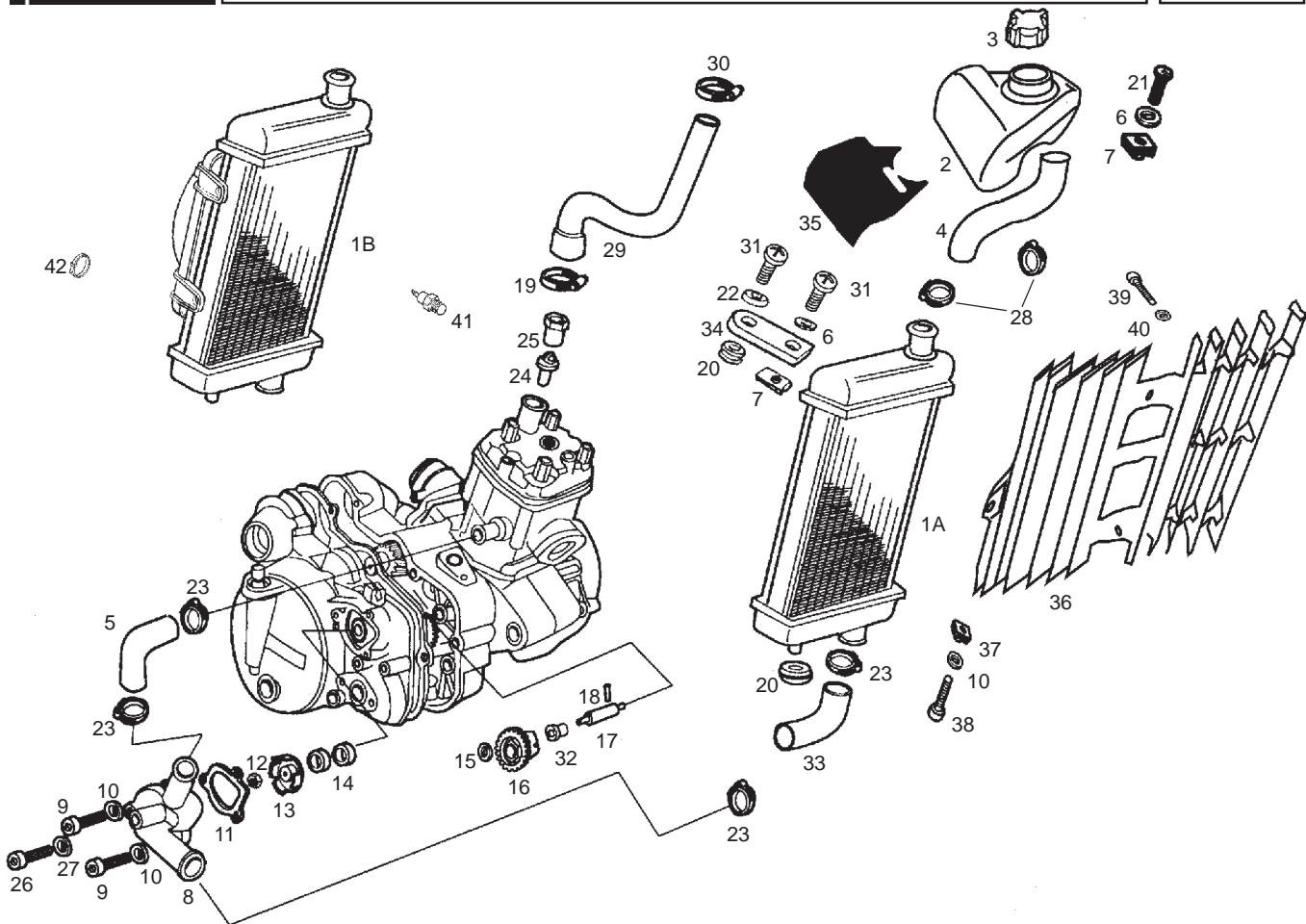


Fig.	Ver.	COD. KOD.	DESCRIPCIÓN DENOMINAZIONE NAME	BEZEICHNUNG DESIGNATION	MOD.	NOTAS NOTES NOTA MITSCHRIFT NOTES
22A		00D01500552	CAZLTA.FIJ.SILENC. SCADELLINO FISSAGGIO HOUSING EXHAUST PIPE SUPPORT	ABDECKSCHEIBE CUVETTE	1 2 3 4 5 6 7 8	
23A		00H03800751	ABRAZ.FIJ.MANG.A CILINDRO D21 FASCETTA FISSAGGIO TUBO COBRA CLAMP	BEF.-SHELLE COLLIER COBRA 21/8 W4	1 2 3 4 5 6 7 8	
24A		483395	INTERRUPTOR TERMICO TERMOSTATO. THERMOSTATE.	THERMOSTAT THERMOSTAT	1 2 3 4 5 6 7 8	
25A		00H03810421	TUERCA FIJ.TERMOSTATO GPR/75 DADO NUT	MUTTER ECROU	1 2 3 4 5 6 7 8	
26A		00002051251	TORNILLO C/ALLEN 5M80X12 VITE SCREW	SCHRAUBE VIS	1 2 3 4 5 6 7 8	
27A		00H03800441	ARANDELA TOR.VACIADO AGUA RONDELLA WASHER	SCHEIBE RONDELLE	1 2 3 4 5 6 7 8	
28A		00G03801701	ABRAZ.FIJ.MANG.RADIAD.D25 SD-R FASCETTA FISSAGGIO MANICA RADI CLAMP FASTERING RADIATOR BUSHI	OIL TANK FLANGE TUBE BRIDE TUBE RESPIRATION RĪSERVO	1 2 3 4 5 6 7 8	
29A		00H03804021	TUBO CULATA-RADIADOR TUBO TESTATA-RACCORDO TERMOCON CYLINDER HEAD PIPE-TERMOCONTACT	WASSERSCHLAUCH TUBE	1 2 3 4 5 6 7 8	
30A		00008204500	ABRAZADERA FIJ. 16-27 FLANGIA FISSAGGIO SECURING CLAMP	BEF.-SHELLE COLLIER COBRA 21/8 W4	1 2 3 4 5 6 7 8	
31A		00092061214	TORNILLO C/R.CR.6M100X12.NG VITE SCREW	SCHRAUBE VIS	1 2 3 4 5 6 7 8	
32A		00H03800231	CASQ.EJES BOMBAS. GHIERA ASSI POMPE 74 CC PUMP SHAFT BUSHING	BUCHSE PUMPENACHSEN DOUILLES AXES POMPES	1 2 3 4 5 6 7 8	

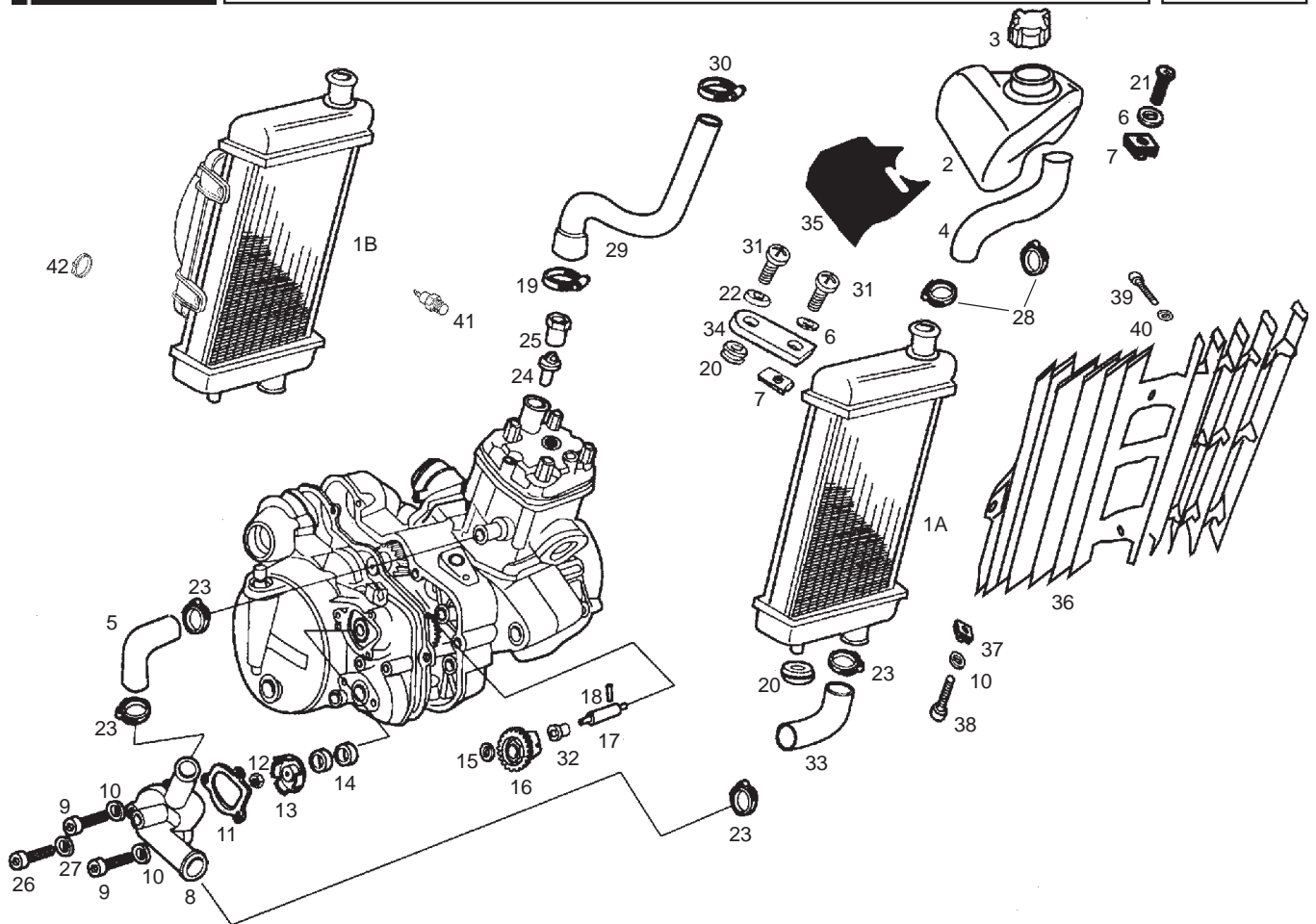


Fig.	Ver.	COD. KOD.	DESCRIPCIÓN DENOMINAZIONE NAME	BEZEICHNUNG DESIGNATION	MOD.	NOTAS NOTES NOTA MITSCHRIFT NOTES
33A		00H03802031	TUBO REFR.BOMBA-RADIA.S2000 TUBO REFRIGERAZIONE POMPA-RADI RADIATOR PUMP RUBBER TUBE	KUHLMITTELSCHLAUCH PUMPE K TUBE POMPE-RADIATEUR	1 2 3 4 5 6 7 8	
34A		00G02200692	OREJA SUP. SOPTE. RADIADOR PIASTRA SUPPORTO SUPERIORE UPPER RADIATOR SUPPORT	OESE KUEHLERBLOCK OREILLE SUPERIEURE SUPPORT RAD	1 2 3 4 5 6 7 8	
35A		00H03801711	CALCA DEPOSITO AGUA ADESIVO DECAL	SCHRIFTZUG ADHESIF	1 2 3 4 5 6 7 8	
36A		00H03805301	REJILLA RADIADOR GRIGLIA RADIATORE RADIATOR GRID	RADIATOR RADIATEUR	1 2 3 4 5 6 7 8	
37A		00G04401462	TUERCA FIJ.CUBRECAD.212827 DADO NUT	MUTTER ECROU	1 2 3 4 5 6 7 8	
38A		00012151500	TORNILLO C/RED.ALL.5M100X16 VITE SCREW	SCHRAUBE VIS	1 2 3 4 5 6 7 8	
39A		00011141300	TORNILLO AUT.C/CR.NG.4,8X13 VITE SCREW	SCHRAUBE VIS	1 2 3 4 5 6 7 8	
40A		00D02600631	ARANDELA TOPE MUELLE EMBRAGUE RONDELLA WASHER	SCHEIBE RONDELLE	1 2 3 4 5 6 7 8	
41A		00G03800741	TERMOCONTACTO ELECTROVENTILADOR TERMOCONTATTO ELETTRVENTOLA THERMOCONTACT ELECTROVENTILATO	THEMPERATURFUHLER THERMOCONTACTEUR	2 3 5 6 8	
42A		00A00900531	BRIDA FLANGIA UNIONE CAVI BLACK CABLE TIE	KABELBINDER COLLIER	2 3 5 6 8	

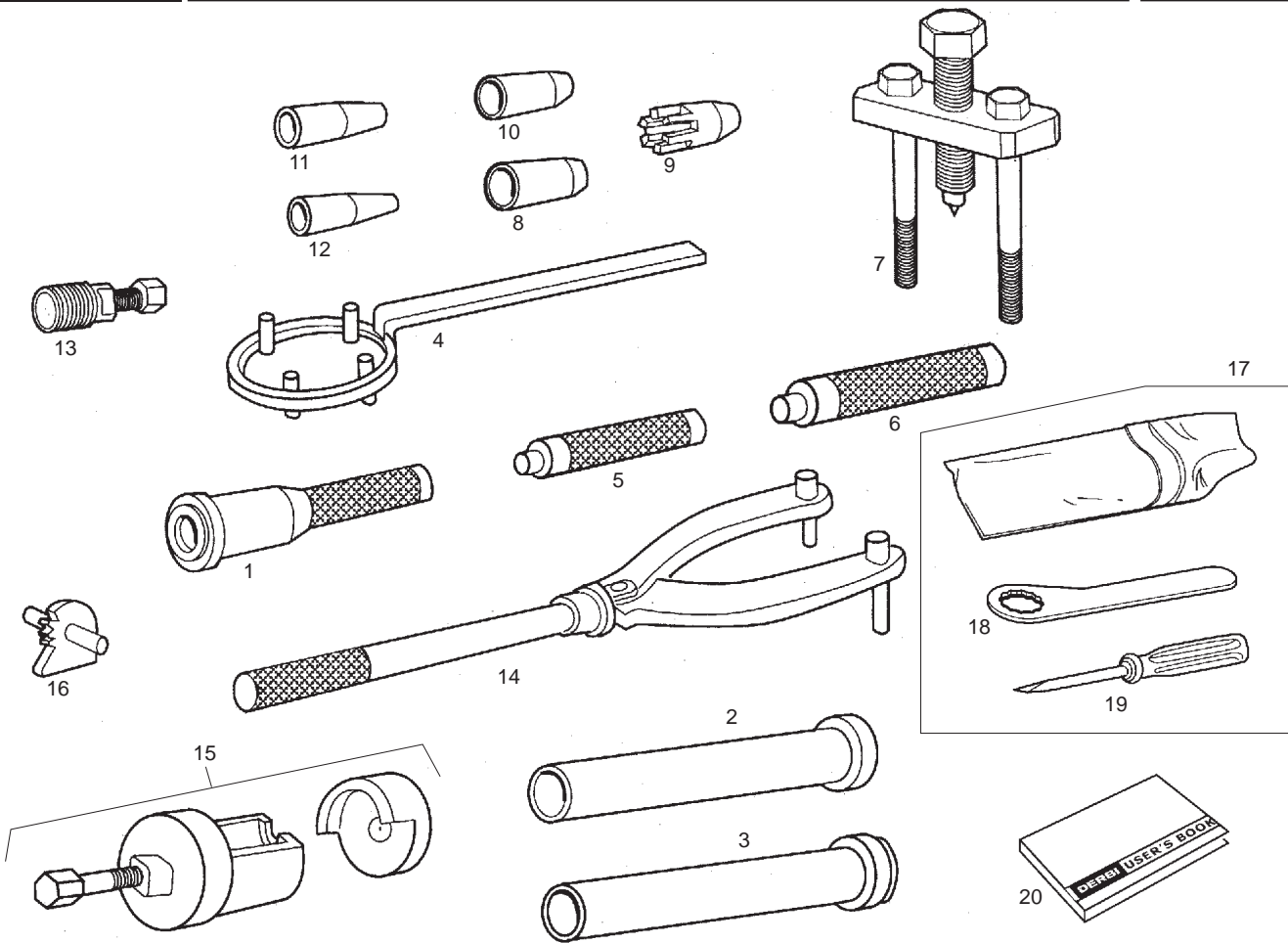


Fig.	Ver.	COD. KOD.	DESCRIPCIÓN DENOMINAZIONE NAME	BEZEICHNUNG DESIGNATION	MOD.	NOTAS NOTES NOTA MITSCHRIFT NOTES
01A		00H05400451	R-PUNZON MONT.RETENES CIGÑ.GPR R-PUNTERUOLO MONTAGGIO GIUNTI PUNCH FIXING CRANKCASE SEAL	DURCHSCHLAG OUTIL MONTAGE ANNEAU AXE VI	1 2 3 4 5 6 7 8	
02A		00H05400581	R-UTIL MONTAR RETEN EJE ARRQ. UTENSILE MONTAGGIO GIUNTI TENU TOOLS FOR FIXING IN STARTING	MONTAGEHUELSE OUTIL MONTAGE ANNEAU AXE DE	1 2 3 4 5 6 7 8	
03A		00H05401561	R-UTIL MONT.RETEN EJE SELECT. R-UTILE MONTAGGIO GIUNTO TENU TOOL FOR FIXING SEAL IN SELEC	MONTAGEHULSE OUTIL MONTAGE ANNEAU AXE SE	1 2 3 4 5 6 7 8	
04A		00H05300041	R-CTO.UTIL.FIJ.CAMPNA EMBG.GPR R-UTILE FISSAGGIO CA CLUTCH HOUSING HOLDER	BEF.-WKZG.KUPPLUNGSGLOCKE OUTIL FIXATION EMBRAYAGE	1 2 3 4 5 6 7 8	
05A		00H05600251	R-UTIL MONT.CASQ.AGUJ.PIÑ.INTM R-UTILE MONTAGGIO GHIERA FORO TOOLS FOR FIXING BUSHING NEEDL	MONTAGEHULSE OUTIL MONTAJE	1 2 3 4 5 6 7 8	
06A		00H05600241	R-UTIL MONT.CASQ.AGUJ.EJE 1P. R-UTILE MONTAGGIO GHIERA FORO TOOLS FOR FIXING BUSHING NEEDL	MONTAGEHULSE OUTILLAGE MONTAGE DOUILLE A	1 2 3 4 5 6 7 8	
07A		00H05300151	R-CTO.UTIL.ABRIR MOTOR GPR-75 R-UTILE APRIRE MOTOR TOOLS OPEN ENGINE ASSY	WKZG.Z.MOTOR OFFNEN ENSEMBLE OUTILLAGE OUVRIR M	1 2 3 4 5 6 7 8	
08A		00H05300841	CASQ. GUIA RETEN CIGÑ. R-UTILE APRIRE MOTOR TOOLS OPEN ENGINE ASSY	WKZG.Z.MOTOR OFFNEN ENSEMBLE OUTILLAGE OUVRIR M	1 2 3 4 5 6 7 8	
09A		00H05600351	PIVOTE GUIA RET.EJE SECUND.GPR PERNO GUIDA GIUNTO TENUTAASSE PIVOT GUIDE SECONDARY AXEL,S	FUHRUNGSZAPFEN PIVOT GUIDE JOINT AXE SECON	1 2 3 4 5 6 7 8	
10A		00H05600341	PIVOTE GUIA RET.EJE ARRQ.GPR75 PERNO GUIDA GIUNTO TENUTAASSE PIVOT GUIDE STARTING AXEL,S SE	FUHRUNGSZAPFEN PIVOT GUIDE JOINT AXE DEMAR	1 2 3 4 5 6 7 8	
11A		00H05600331	PIVOTE GUIA RET.EJE DESEMB.GPR PERNO GUIDA GIUNTO TENUTAASSE PIVOT GUIDE SEAL OF CLUTCH REL	FUHRUNGSZAPFEN PIVOT GUIDE JOINT AXE DEBRA	1 2 3 4 5 6 7 8	

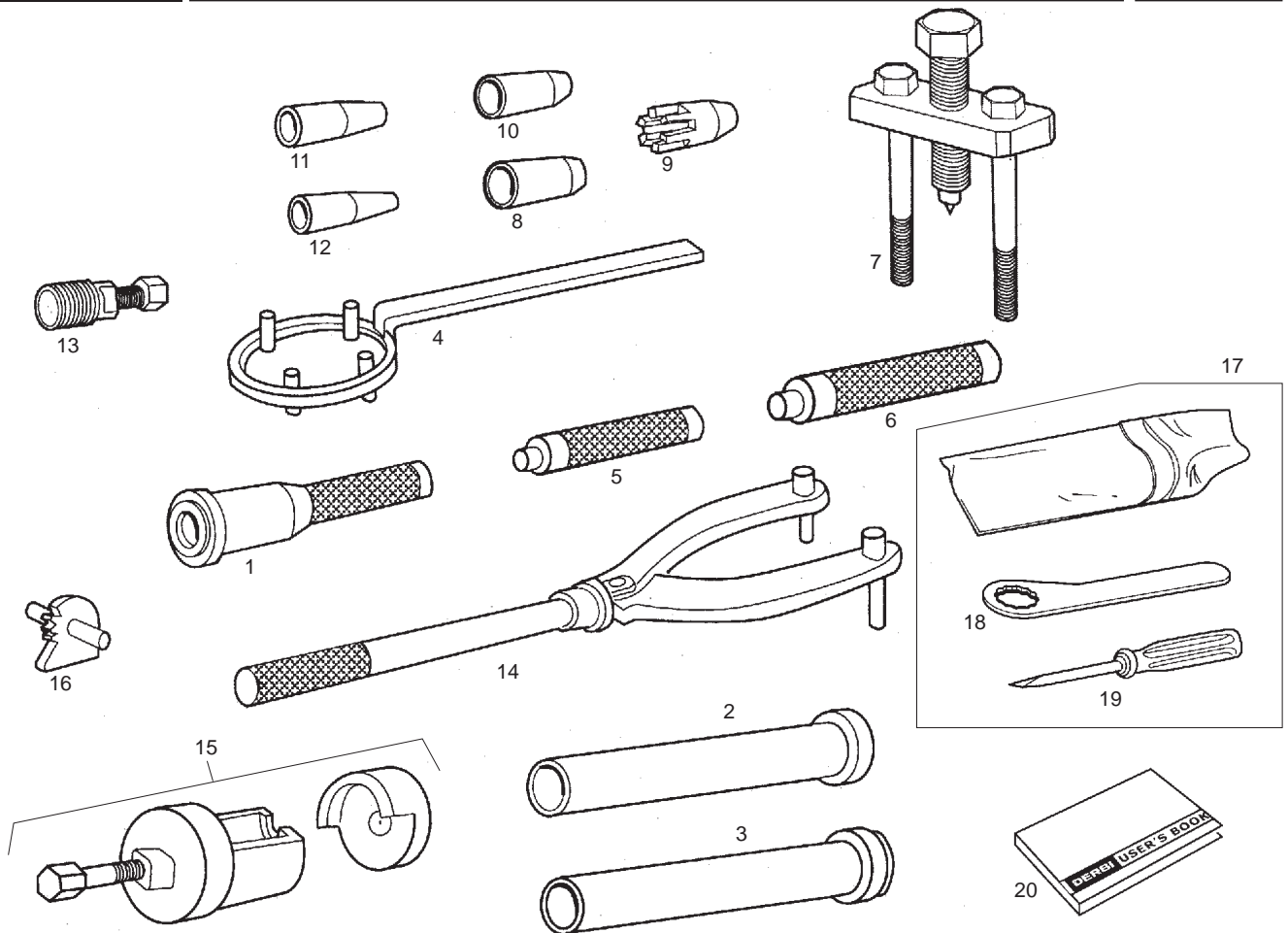


Fig.	Ver.	COD. KOD.	DESCRIPCIÓN DENOMINAZIONE NAME	BEZEICHNUNG DESIGNATION	MOD.	NOTAS NOTES NOTA MITSCHRIFT NOTES
12A		00H05600261	PIVOTE GUIA RET.EJE BOMBA AGUA PERNO GUIDA GIUNTO TENUTA ASSE PIVOT GUIDE SEAL WATER PUMP	FUHRUNSZAPFEN PIVOT GUIDE JOINT POMPE D,E	1 2 3 4 5 6 7 8	
13A		00F05300021	EXTRAC.VOLTE.ELECTR.DCT.SCO-50 ESTRATTORE VOLANO E FLYWHEEL ELECTR. EXTRACTOR	ABZIEHER EXTRACTEUR DE VOLANT	1 2 3 4 5 6 7 8	
14A		00G05300011	CTO.UTIL.DESMTAR.VOLTE.ELECTR. CHIAVE VOLANO MAG./CAMPANA FR. MAGNETO EXTRACTOR TOOL	WERKZEUG Z.DEMONTAGE ELEKT ENS.UTIL.DEMONTER VOLANT E	1 2 3 4 5 6 7 8	
15A		00H05600321	CTO.EXTRACTOR ESTRATTORE PIGNONE COUNTERWEIGHT SPROKET PULLER	RITZELHALTER ESSEMBLE EXTRACTEUR PIGNON	1 2 3 4 5 6 7 8	
16A		00H05600231	R-SCTO.EJE PIÑON CONTRAPESO R-SUBASSE PIGNONE COUNTERWEIGHT SPROKET AXLE	BEF.-ACHSEF.RITZEL ENSEMBLE AXE PIGNON CONTREP	1 2 3 4 5 6 7 8	
17A		00H05101561	CTO.BOLSA HERRTAS. SACCO FERRI TOOL POUCH	WERKZEUGTASCHE TROUSSE A OUTILS	1 2 3 4 5 6 7 8	
18A		00H05100011	SCTO.LLAVE BUJIA SUBCHIAVE CANDELA SE SPARK PLUG	ZUND KERZENSCHLUSSEL CLE A BOUGIE	1 2 3 4 5 6 7 8	
19A		00005551290	DESTORNILLADOR. CACCIAVITE SCREW DRIVER	SCHRAUBENZIEHER TOURNEVIS	1 2 3 4 5 6 7 8	
20A		00H05135122	MANUAL INSTRUCCIONES LIBRETTI DI ISTRUZIONI USER'S BOOK	BEDIENUNGSANLEITUNG MANUEL D'INSTRUCTIONS	1 2 3 4 5 6 7 8	

CODIGO CODE	Lám. Diagnr.	Figr.	Vers.	CODIGO CODE	Lám. Diagnr.	Figr.	Vers.	CODIGO CODE	Lám. Diagnr.	Figr.	Vers.	CODIGO CODE	Lám. Diagnr.	Figr.	Vers.
00A00900531	006	21A		00F03300241	020	08A		00H00202761	002A	03A		00H00916171	006	03A	
00A00900531	019	21A		00F03300731	020	06A		00H00202761	002B	03A		00H00917751	006	11A	
00A00900531	023	42A		00F03310741	020	04A		00H00203701	002B	24A		00H00930071	006	15A	
00A03000121	018	08A		00F03710131	004	16A		00H00203741	002A	02A		00H00930091	006	04A	
00A03000132	018	27A		00F03710131	022	04A		00H00204231	002A	23A		00H01000131	007	07A	
00A03001422	018	07A		00F03710241	022	02A		00H00204471	002A	17A		00H01000371	007	10A	
00D00200761	002A	25A		00F04201361	021	15A		00H00204601	002A	04A		00H01001701	010	07A	
00D00200761	002B	27A		00F04700121	008	25A		00H00205271	002A	07A		00H01002341	007	08A	
00D00900531	007	27A		00F04700121	010	27A		00H00205501	002B	06A		00H01002821	007	33A	
00D01000701	006	24A		00F05300021	024	13A		00H00206471	002B	17A		00H01005311	007	19A	
00D01100201	010	04A		00F05900041	007	17A		00H00206601	002B	04A		00H01006321	007	09A	
00D01200171	003	18A		00G00200112	002A	24A		00H00207231	002B	23A		00H01007841	007	18A	
00D01200171	004	29A		00G00200112	002B	26A		00H00208191	002B	12A		00H01012011	007	03A	
00D01200171	005	03A		00G00400181	004	11A		00H00209271	002B	07A		00H01046301	007	01A	
00D01200171	020	13A		00G00400501	004	10A		00H00209741	002B	02A		00H01100172	010	17A	
00D01200171	023	06A		00G00400501	022	18A		00H00210171	002A	11A		00H01100461	010	13A	
00D01300091	008	05A		00G00800261	006	30A		00H00211012	002A	10A		00H01101211	010	08A	
00D01300192	003	06A		00G01000911	007	29A		00H00212531	002B	14A		00H01101731	010	05A	
00D01301401	008	11A		00G01001571	007	13A		00H00213092	002A	09A		00H01102072	010	15A	
00D01303401	009	10A		00G01500951	021	03A		00H00220011	002B	10A		00H01102181	010	12A	
00D01500021	005	19A		00G01503701	005	09A		00H00220171	002B	11A		00H01103611	010	14A	
00D01500021	011	05A		00G01503701	010	06A		00H00221091	002B	09A		00H01104583	010	21A	
00D01500471	004	32A		00G01601581	011	07A		00H00227003	002A	13A		00H01109081	010	01A	
00D01500552	004	22A		00G01602581	011	06A		00H00238001	002B	13A		00H01120021	010	16A	
00D01500552	023	22A		00G01607051	011	08A		00H00300912	003	21A		00H01202193	008	19A	
00D01501371	003	19A		00G02102083	006	05A		00H00301401	003	05A		00H01202331	008	15A	
00D01501371	004	28A		00G02200692	023	34A		00H00303892	003	11A		00H01203272	008	02A	
00D01501371	005	08A		00G03000211	018	22A		00H00308971	003	01A		00H01205711	008	08A	
00D01501371	007	20A		00G03001091	018	23A		00H00309331	003	15A		00H01207101	008	13A	
00D01501371	019	27A		00G03002091	018	24A		00H00401521	004	34A		00H01208021	008	07A	
00D01501371	020	12A		00G03200061	019	09A		00H00404051	004	24A		00H01211081	008	12A	
00D01501371	023	07A		00G03200101	019	19A		00H00404684	004	01A		00H01211111	008	14A	
00D01520096	001	20A		00G03200511	019	11A		00H00405682	004	01B		00H01301731	009	19A	
00D01540456	001	21A		00G03200541	019	15A		00H00406011	004	09A		00H01301831	008	17A	
00D02100901	006	22A		00G03200551	019	16A		00H00406521	004	36A		00H01301831	010	22A	
00D02200671	006	29A		00G03200721	019	17A		00H00519651	005	28B		00H01302052	009	09A	
00D02600552	014	12A		00G03200731	019	18A		00H00519652	005	28A		00H01302172	009	11A	
00D02600631	004	35A		00G03201071	019	10A		00H00519653	005	28C		00H01303691	008	09A	
00D02600631	010	26A		00G03201091	019	24A		00H00520651	005	26A		00H01303691	009	20A	
00D02600631	021	12A		00G03201371	019	12A		00H00526641	005	29B		00H01304091	009	06A	
00D02600631	023	40A		00G03204272	004	13A		00H00526642	005	29A		00H01304202	003	02A	
00D02820101	016	02A		00G03301271	020	05A		00H00526643	005	29C		00H01304202	009	02A	
00D02910131	017	04A		00G03301401	020	15A		00H00527641	005	27A		00H01305531	009	16A	
00D03210491	004	27A		00G03800601	023	04A		00H00556691	005	15B		00H01306351	009	17A	
00D03700131	004	12A		00G03800741	023	41A		00H00556694	005	15A		00H01307821	009	14A	
00D04000291	016	32A		00G03801701	023	28A		00H00556695	005	15C		00H01309361	009	22A	
00D05700141	007	06A		00G03900821	018	19A		00H00556701	005	16B		00H01311321	009	23A	
00D05900031	019	26A		00G04100771	019	23A		00H00556704	005	16A		00H01317031	009	15A	
00D05910081	021	13A		00G04102131	019	20A		00H00556705	005	16C		00H01326031	009	15B	
00E02500231	013	13A		00G04400752	005	12A		00H00600341	004	18A		00H01500691	004	43A	
00F00400131	004	07A		00G04401462	005	04A		00H00604141	004	02A		00H01501212	009	24A	
00F00400771	004	08A		00G04401462	007	36A		00H00611521	005	30A		00H01501501	001	29A	
00F00403321	004	14A		00G04401462	010	29A		00H00626011	004	17A		00H01501811	003	26A	
00F00403321	022	21A		00G04401462	023	37A		00H00705121	005	13A		00H01501811	010	31A	
00F00406321	022	14A		00G04700131	010	30A		00H00712341	005	11A		00H01502101	001	28A	
00F00900531	010	10A		00G04700141	008	20A		00H00713023	005	01C		00H01502201	009	07A	
00F00900531	020	02A		00G04700141	010	23A		00H00713029	005	01B		00H01502501	001	31A	
00F00902291	006	06A		00G05300011	024	14A		00H00723020	005	01A		00H01502871	003	22A	
00F00910291	006	16A		00G06300671	005	07A		00H00800422	001	13A		00H01503101	001	30A	
00F00920551	006	19A		00H00201701	002A	08A		00H00803082	001	10A		00H01506201	009	07B	
00F01210312	009	12A		00H00202441	002B	25A		00H00805072	001	12A		00H01508181	003	16A	
00F01811411	001	32A		00H00202451	002B	19A		00H00820011	001	09A		00H01508191	003	10A	
00F03200031	019	05A		00H00202501	002A	06A		00H00907301	006	17A		00H01534231	007	42B	
00F03201211	019	02A		00H00202531	002A	14A		00H00908012	006	01A		00H01534233	007	42A	

CODIGO CODE	Lám. Diagr.	Figr.	Vers.	CODIGO CODE	Lám. Diagr.	Figr.	Vers.	CODIGO CODE	Lám. Diagr.	Figr.	Vers.	CODIGO CODE	Lám. Diagr.	Figr.	Vers.
00H01534235	007	42C		00H02600401	014	04A		00H03203711	019	14A		00H04436802	005	05A	
00H01600911	011	04A		00H02600551	014	10A		00H03204231	019	13A		00H04436803	005	05C	
00H01617021	011	09A		00H02600651	014	26A		00H03204421	019	04A		00H04436881	005	06B	
00H01625521	011	01A		00H02601011	014	11A		00H03207261	004	33A		00H04436882	005	06A	
00H01628521	011	01B		00H02601161	014	08A		00H03214431	019	03A		00H04436883	005	06C	
00H01703301	007	24A		00H02601381	014	02A		00H03215031	019	05B		00H04610091	005	31B	
00H01703391	007	26A		00H02610311	014	18A		00H03243011	019	01A		00H04610092	005	31A	
00H01800402	021	08A		00H02700151	015	01A		00H03248011	019	01B		00H04610093	005	31C	
00H01800541	004	25A		00H02700231	015	03A		00H03300221	020	07A		00H04610101	005	32B	
00H01801771	001	15A		00H02700251	015	09A		00H03311011	020	01A		00H04610102	005	32A	
00H01802081	002A	18A		00H02700441	015	04A		00H03311011	020	01A		00H04610103	005	32C	
00H01802081	002B	18A		00H02700451	015	05A		00H03330171	020	03A		00H04612841	007	31A	
00H01803331	003	09A		00H02700491	015	06A		00H03334171	020	03B		00H04714081	008	01A	
00H01961601	001	01A		00H02703421	015	10A		00H03404321	021	11A		00H04903292	001	22A	
00H02003541	002A	05A		00H02800181	016	11A		00H03423411	021	02A		00H04924091	005	20B	
00H02003871	002A	12A		00H02800241	016	34A		00H03439081	021	01A		00H04924092	005	20A	
00H02004541	002B	05A		00H02800251	016	13A		00H03446081	021	01B		00H04924093	005	20C	
00H02013031	002A	15A		00H02800401	016	19A		00H03603521	014	01A		00H04925561	005	24B	
00H02016041	002A	16A		00H02800561	016	15A		00H03700101	022	07A		00H04925562	005	24A	
00H02017031	002B	15A		00H02800801	016	28A		00H03700131	010	09A		00H04925563	005	24C	
00H02027041	002B	16A		00H02800881	016	27A		00H03700141	022	23A		00H04925571	005	25B	
00H02100191	006	07A		00H02800891	016	36A		00H03700211	022	06A		00H04925572	005	25A	
00H02100861	006	08A		00H02800901	016	04A		00H03700311	022	22A		00H04925573	005	25C	
00H02101621	006	02A		00H02801221	016	08A		00H03700351	022	15A		00H05000281	014	15A	
00H02105611	006	27A		00H02801481	016	10A		00H03700461	018	18A		00H05000281	022	09A	
00H02201302	001	24A		00H02802861	016	31A		00H03701411	022	17A		00H05000281	023	15A	
00H02201312	001	06A		00H02803161	016	35A		00H03702121	022	16A		00H05001011	013	16A	
00H02201591	005	18A		00H02803291	016	01A		00H03703051	022	03A		00H05001551	013	18A	
00H02205671	006	28A		00H02805371	016	22A		00H03704021	022	13A		00H05007123	013	01A	
00H02258871	007	02B		00H02807131	016	06A		00H03704081	022	01A		00H05100011	024	18A	
00H02258874	007	02A		00H02808371	016	22B		00H03705011	022	05A		00H05101561	024	17A	
00H02258875	007	02C		00H02810181	016	18A		00H03800134	023	08A		00H05135122	024	20A	
00H02300961	007	30A		00H02810231	016	09A		00H03800141	023	11A		00H05158651	005	33B	
00H02303441	013	20A		00H02810411	016	21A		00H03800151	023	13A		00H05158652	005	33A	
00H02305381	006	14A		00H02810421	016	23A		00H03800161	023	17A		00H05158653	005	33C	
00H02401282	009	18A		00H02810561	016	16A		00H03800181	014	25A		00H05205481	012	02A	
00H02402282	008	18A		00H02810631	016	29A		00H03800231	023	32A		00H05300041	024	04A	
00H02405332	009	01A		00H02810741	016	30A		00H03800381	022	11A		00H05300151	024	07A	
00H02500041	013	08A		00H02820211	016	07A		00H03800381	023	16A		00H05300841	024	08A	
00H02500272	001	18A		00H02820561	016	17A		00H03800441	014	20A		00H05400451	024	01A	
00H02500301	013	11A		00H02820651	016	26A		00H03800441	023	27A		00H05400581	024	02A	
00H02500491	018	29A		00H02820661	016	37A		00H03800451	023	19A		00H05401561	024	03A	
00H02500811	018	28A		00H02900011	017	12A		00H03800722	007	11A		00H05600231	024	16A	
00H02501131	013	05A		00H02900041	017	10A		00H03800722	007	39A		00H05600241	024	06A	
00H02501491	018	11A		00H02900091	017	06A		00H03800751	023	23A		00H05600251	024	05A	
00H02502111	013	03A		00H02900271	017	11A		00H03801041	023	05A		00H05600261	024	12A	
00H02502121	013	04A		00H02900281	017	07A		00H03801711	023	35A		00H05600321	024	15A	
00H02502891	018	10A		00H02900761	017	02A		00H03802031	023	33A		00H05600331	024	11A	
00H02505021	013	07A		00H02901441	017	08A		00H03802461	004	37A		00H05600341	024	10A	
00H02506141	013	09A		00H02901551	017	09A		00H03802472	023	03A		00H05600351	024	09A	
00H02507061	018	20A		00H02902252	017	13A		00H03802501	023	02A		00H05700481	007	35A	
00H02510641	018	21A		00H03000031	018	02A		00H03802541	023	01B		00H05901781	014	16A	
00H02512013	013	06A		00H03000081	018	14A		00H03804021	023	29A		00H05908251	001	33A	
00H02542091	013	02A		00H03000091	018	26A		00H03805011	023	01A		00H06001151	019	25A	
00H02552091	013	02B		00H03000141	018	05A		00H03805301	023	36A		00H06007211	004	25B	
00H02562091	013	02C		00H03000272	001	26A		00H03810211	023	14A		00H06101231	004	23A	
00H02572091	013	02D		00H03003634	018	01A		00H03810421	023	25A		00H06201061	004	15A	
00H02600111	014	03A		00H03005241	018	06A		00H04106181	019	06B		00H06301401	001	16A	
00H02600151	014	07A		00H03007882	018	04A		00H04107181	019	06A		00H06303752	004	05A	
00H02600181	014	13A		00H03010361	018	03A		00H04200721	004	38A		00H06303762	004	03A	
00H02600211	014	14A		00H03201201	019	22A		00H04200741	004	40A		00H06500451	001	19A	
00H02600271	014	09A		00H03201251	004	26A		00H04202721	004	39A		00H06500561	004	41A	
00H02600322	014	22A		00H03202281	019	08A		00H04302181	004	06A		00H06800461	007	34A	
00H02600342	014	19A		00H03203481	019	07A		00H04436801	005	05B		00H99927E302	012	01A	

CODIGO CODE	Lám. Diagr.	Figr.	Vers.	CODIGO CODE	Lám. Diagr.	Figr.	Vers.	CODIGO CODE	Lám. Diagr.	Figr.	Vers.	CODIGO CODE	Lám. Diagr.	Figr.	Vers.
00H99927V400	012	01B		00002212070	008	10A		00012161600	023	21A					
00M03800221	023	12A		00002212070	009	21A		00012162000	020	11A					
0000A517011	007	23A		00002215152	001	25A		00014041200	006	09A					
00000002840	010	25A		00002225220	013	14A		00022083021	008	21A					
00000004412	007	38A		00002503230	003	04A		00022084021	001	04A					
00000004510	016	24A		00002518790	001	17A		00022084521	001	07A					
00000004510	022	12A		00003102280	018	13A		00023108000	001	05A					
00000004635	002B	08A		00003112322	003	03A		00023108000	010	20A					
00000004830	002B	01A		00003112322	008	03A		00023108000	021	07A					
00000004840	002A	01A		00003115422	003	12A		00023112000	003	13A					
00000012415	021	14A		00003125280	013	19A		00031086022	008	24A					
00000012420	020	14A		00003127200	017	19A		00031106000	002A	22A					
00000012508	006	20A		00003130050	018	16A		00031106000	002B	22A					
00000013510	016	05A		00003133230	020	09A		00031106000	007	21A					
00000021050	007	15A		00003133260	020	10A		00031106000	007	25A					
00000021080	006	13A		00003710110	007	04A		00034000802	008	23A					
00000023051	007	12A		00003710120	007	05A		00034000802	010	24A					
00000023060	003	14A		00004013500	002A	19A		00036008000	001	02A					
00000023060	007	14A		00004053500	007	32A		00037000600	017	21A					
00000023060	007	28A		00004061600	006	23A		00047030400	004	04A					
00000023060	009	25A		00004061600	021	09A		00047030900	017	16A					
00000023080	006	18A		00004162500	017	20A		00047031100	015	02A					
00000031050	003	25A		00005010760	006	25A		00052062011	014	23A					
00000031050	005	21A		00005527540	010	19A		00053030000	022	08A					
00000031050	007	41A		00005529290	017	05A		00053030000	023	18A					
00000031050	022	20A		00005530600	018	17A		00057120300	016	03A					
00000031050	022	24A		00005551290	024	19A		00058020301	016	20A					
00000031050	023	10A		00006309260	006	26A		00058120100	008	04A					
00000031060	003	24A		00006309260	010	02A		00058120100	009	05A					
00000031060	005	14A		00006321040	006	12A		00059220400	013	12A					
00000031080	002B	20A		00006321040	010	03A		00073481964	004	31A					
00000031080	006	10A		00006826230	014	05A		00092061214	023	31A					
00000031100	002A	20A		00008051600	007	40A		00232120032	008	16A					
00000033060	021	10A		00008061500	002A	21A		00262080022	001	08A					
00000034050	016	25A		00008061500	002B	21A		00262100032	001	27A					
00000036100	017	17A		00008062000	007	37A		00262120032	009	13A					
00000047110	014	17A		00008202730	013	15A		00402060001	009	03A					
00000047110	022	10A		00008204500	023	30A		00402080001	001	03A					
00000047111	017	03A		00008213182	008	06A		00402080001	008	22A					
00000047122	017	14A		00008902630	001	11A		00402080001	010	18A					
00000056205	001	14A		00008915020	004	21A		00402080001	021	06A					
00000061040	017	18A		00008915020	023	20A		00402100001	001	23A					
00000066060	016	33A		00011021300	007	16A		00442060002	015	12A					
00000326260	014	06A		00011041300	003	08A		00454050001	011	03A					
00001113192	009	04A		00011051401	005	22A		483395	023	24A					
00001130370	018	15A		00011051801	004	19A		828152	018	25A					
00002025190	013	10A		00011141300	003	20A									
00002026020	014	24A		00011141300	010	11A									
00002027280	014	21A		00011141300	023	39A									
00002027280	015	07A		00012061000	003	07A									
00002028450	016	12A		00012061000	003	23A									
00002028550	016	14A		00012061200	004	20A									
00002028770	015	08A		00012061200	007	22A									
00002028770	017	01A		00012062500	004	42A									
00002029050	017	15A		00012081621	021	05A									
00002030020	018	09A		00012151500	010	28A									
00002051251	023	26A		00012151500	023	38A									
00002051551	022	19A		00012152000	005	23A									
00002052051	023	09A		00012152000	011	02A									
00002061011	018	12A		00012161600	003	17A									
00002062011	021	04A		00012161600	004	30A									
00002062511	015	11A		00012161600	005	02A									
00002125170	013	17A		00012161600	005	10A									
00002182000	009	08A		00012161600	005	17A									