

NACIONAL MOTOR, S.A.U. DERBI

C/ Barcelona, nº19 - Martorelles 08107 - BARCELONA (SPAIN)
Tel. 93 565 78 78 - Fax 93 565 78 52

DERBI



SENDA SM DRD RACING 2005-2008 E2

CÓDIGO CATÁLOGO
CATALOGUE NUMBER

7077CH08002

**IDENTIFICACION DE MODELOS REPRESENTADOS EN ESTE
CATALOGO SEGUN LOS DIGITOS SIGUIENTES**

**IDENTIFICAZIONE DEI MODELLI RAPPRESENTATI IN QUESTO CATALOGO
SECONDO I NUMERI A SEGUIRE**

**THE MODELS REFERRED INTO THIS CATALOGUE ARE IDENTIFIED
BY FOLLOWING NUMBERS**

BESTIMMUNG DER VERSCHIEDENEN MODELLE IN DIESEM KATALOG

**IDENTIFICATION DES MODELOES REPRESENTES DANS CE CATALOGUE,
EN FUNCTION DES CODES SUIVANTS**

MODELO MODELLI MODEL MODELL MODELE	DENOMINACION DENOMINAZIONE MODEL NAME BEZEICHNUNG DENOMINATION	CODIGO MODELO CODICE MODELLI CODE MODEL KODE MODELL CODE MODELE
1	SENDA SM DRD RACING ESPAÑA NEGRO (OMBU) 2005 E2 SENDA SM DRD RACING ESPAÑA NEGRO (OMBU) 2005 E2 SENDA SM DRD RACING FRANCE BLACK (OMBU) 2005 E2 SENDA SM DRD RACING ENGLAND BLACK (OMBU) 2005 E2 SENDA SM DRD RACING ITALY BLACK (OMBU) 2005 E2 SENDA SM DRD RACING AUSTRIA BLACK (OMBU) 2005 E2 SENDA SM DRD RACING BENELUX BLACK (OMBU) 2005 E2	E92H54E68 1 E92H54E68 1 E92H54F68 1 E92H54G68 1 E92H54I68 1 E92H54U68 1 E92H54X68 1
2	SENDA SM DRD RACING ESPAÑA ROJO (FLUOR) 2005 E2 SENDA SM DRD RACING FRANCE RED (FLUOR) 2005 E2 SENDA SM DRD RACING ENGLAND RED (FLUOR) 2005 E2 SENDA SM DRD RACING ITALY RED (FLUOR) 2005 E2 SENDA SM DRD RACING AUSTRIA RED (FLUOR) 2005 E2 SENDA SM DRD RACING BENELUX RED (FLUOR) 2005 E2	E92H54E63 1 E92H54F63 1 E92H54G63 1 E92H54I63 1 E92H54U63 1 E92H54X63 1
3	SENDA SM DRD RACING ESPAÑA AZUL (SALVIA) 2005 E2 SENDA SM DRD RACING FRANCE BLUE (SALVIA) 2005 E2 SENDA SM DRD RACING ENGLAND BLUE (SALVIA) 2005 E2 SENDA SM DRD RACING ITALY BLUE (SALVIA) 2005 E2 SENDA SM DRD RACING AUSTRIA BLUE (SALVIA) 2005 E2 SENDA SM DRD RACING BENELUX BLUE (SALVIA) 2005 E2	E92H54E64 1 E92H54F64 1 E92H54G64 1 E92H54I64 1 E92H54U64 1 E92H54X64 1
4	SENDA SM DRD RACING D ESPAÑA NEGRO (OMBU) 2006 E2 SENDA SM DRD RACING D FRANCE BLACK (OMBU) 2006 E2 SENDA SM DRD RACING D ENGLAND BLACK (OMBU) 2006 E2 SENDA SM DRD RACING D ITALY BLACK (OMBU) 2006 E2 SENDA SM DRD RACING D BENELUX BLACK (OMBU) 2006 E2	E92H65E68 0 E92H65F68 0 E92H65G68 0 E92H65I68 0 E92H65X68 0
5	SENDA SM DRD RACING D ESPAÑA BLANCO (AJEDREA) 2006 E2 SENDA SM DRD RACING D FRANCE WHITE (AJEDREA) 2006 E2 SENDA SM DRD RACING D ENGLAND WHITE (AJEDREA) 2006 E2 SENDA SM DRD RACING D ITALY WHITE (AJEDREA) 2006 E2 SENDA SM DRD RACING D BENELUX WHITE (AJEDREA) 2006 E2	E92H65E61 0 E92H65F61 0 E92H65G61 0 E92H65I61 0 E92H65X61 0
6	SENDA SM DRD RACING D ESPAÑA AZUL (SALVIA) 2006 E2 SENDA SM DRD RACING D FRANCE BLUE (SALVIA) 2006 E2 SENDA SM DRD RACING D ENGLAND BLUE (SALVIA) 2006 E2 SENDA SM DRD RACING D ITALY BLUE (SALVIA) 2006 E2 SENDA SM DRD RACING D BENELUX BLUE (SALVIA) 2006 E2	E92H65E64 0 E92H65F64 0 E92H65G64 0 E92H65I64 0 E92H65X64 0
7	SENDA SM DRD RACING ESPAÑA NEGRO (OMBU) 2008 E2 SENDA SM DRD RACING FRANCE BLACK (OMBU) 2008 E2 SENDA SM DRD RACING ENGLAND BLACK (OMBU) 2008 E2 SENDA SM DRD RACING ITALY BLACK (OMBU) 2008 E2	E92H65E88 0 E92H65F88 0 E92H65G88 0 E92H65I88 0
8	SENDA SM DRD RACING ESPAÑA BLANCO (AJEDREA) / AZUL 2008 E2 SENDA SM DRD RACING FRANCE WHITE (AJEDREA) / BLUE 2008 E2 SENDA SM DRD RACING ENGLAND WHITE (AJEDREA) / BLUE 2008 E2 SENDA SM DRD RACING ITALY WHITE (AJEDREA) / BLUE 2008 E2 SENDA SM DRD RACING AUSTRIA WHITE (AJEDREA) / BLUE 2008 E2	E92H65E81 0 E92H65F81 0 E92H65G81 0 E92H65I81 0 E92H65U81 0

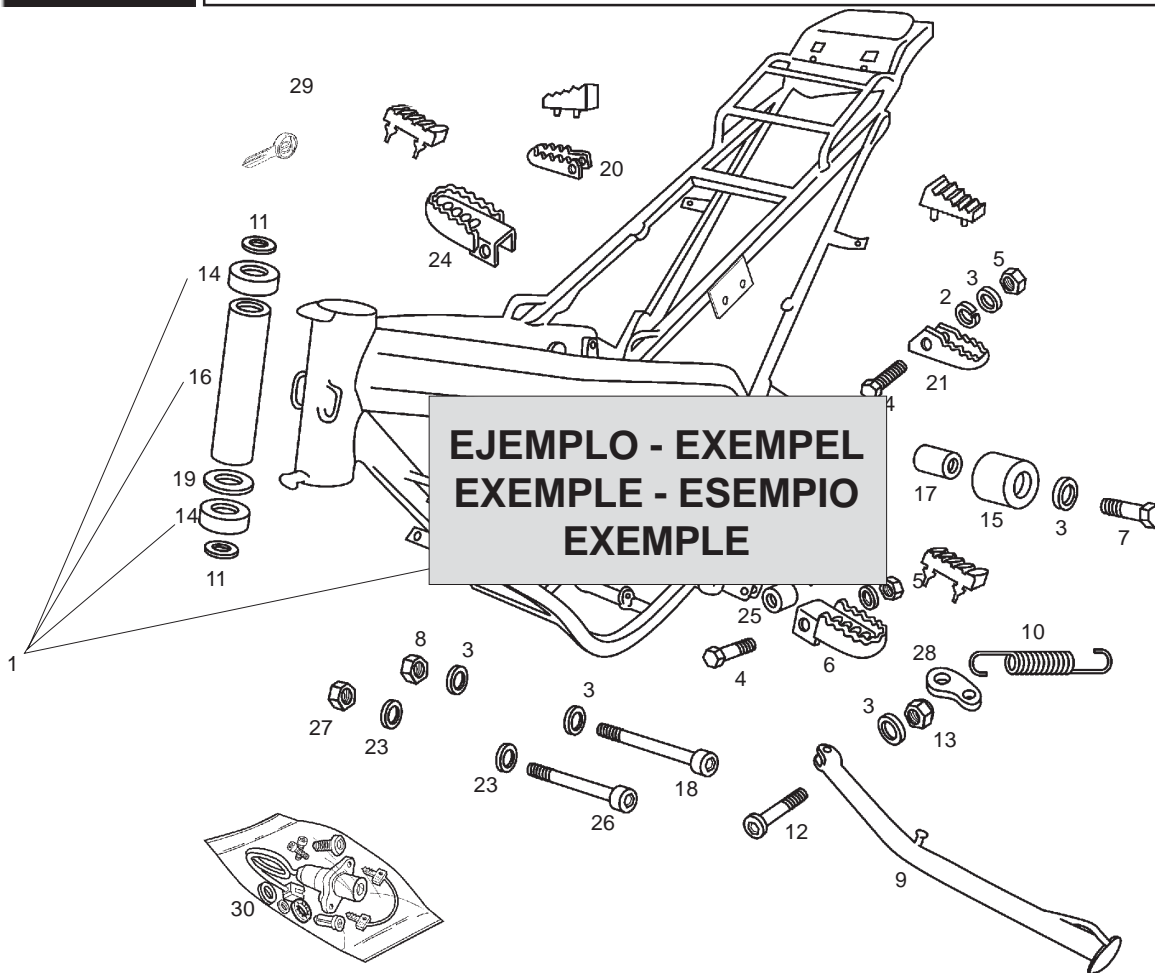


Fig.	Ver.	COD. KOD.	DESCRIPCIÓN DENOMINAZIONE NAME	BEZEICHNUNG DESIGNATION	MOD.	NOTAS NOTES NOTA MITSCHRIFT NOTES
01A		00G01924601	R-SCTO.CUADRO C/COJIN. ATLANTIS TELAIO FRAME SUB-ASSEMBLY	RHAMEN CADRE COMPLET	12	XXXXXXX
②	01	00G01924601	R-SCTO.CUADRO C/COJIN. ATLANTIS TELAIO FRAME SUB-ASSEMBLY	RHAMEN CADRE COMPLET	12	XXXXXXX
③	02	00G01924601	R-SCTO.CUADRO C/COJIN. ATLANTIS TELAIO FRAME SUB-ASSEMBLY	RHAMEN CADRE COMPLET	12	XXXXXXX
④	03	00G01924601	R-SCTO.CUADRO C/COJIN. ATLANTIS TELAIO FRAME SUB-ASSEMBLY	RHAMEN CADRE COMPLET	12	XXXXXXX
①		⑤		⑧	⑥	⑦

1- Código de localización de piezas. 2- Código indicativo de pieza reemplazada. 3- Código indicativo de pieza anulada. 4- Código indicativo de pieza restituida (esta se monta de nuevo). 5- Código de referencia de la pieza. 6- Identificación de modelos. 7- Los códigos de esta casilla indican que, a partir del número de chasis o motor indicado dentro de esta, se monta una nueva pieza que reemplaza a la anterior (sección 2), que una pieza no se monta (sección 3), o que la pieza anulada se monta de nuevo (sección 4), y concierne a los modelos indicados (sección 6). 8- Denominación de la pieza.

1- Codice di localizzazione pezzi. 2- Codice indicatore del pezzo sostituito. 3- Il pezzo precedente non si monta. 4- Codice indicatore dei pezzi che si tornano a montare. 5- Codice di identificazione del pezzo. 6- Identificazione del modello. 7- Il codice di questa casella indica che, dal numero di Telaio/motore indicato, si monta un nuovo pezzo che sostituisce il precedente (sezione 2), che un pezzo non si monta (sezione 3), oppure che il pezzo annullato si monta di nuovo (sezione 4), facendo riferimento al modello indicato (sezione 6). 8- Denominazione del pezzo.

1- Part location number. 2- Substituted part number. 3- Withdrawn part number (no longer fitted). 4- Restored part number (newly fitted going withdrawn). 5- Part reference number. 6- Model identification number. 7- Chassis or engine number from which a new part is fitted substituting a part which has been withdrawn (see para 2) or a part is withdrawn is fitted again (see para 4), in the models indicated (see para 6). 8- Part identification label.

1- Zeichnung - Nummer. 2- Ausführung. 3- Gestrichene Ersatzteilnummer. 4- Ersetzte Ersatzteilnummer. 5- Ersatzteilnummer. 6- Modell - Nummer. 7- Rhamen - order motonummer, für die ein neues teil eingestzt wird, z.b. eine nummer, die geändert (s. para 2), order ein teil, das gestrichen wurde (s. para 3), order ein teil, das vorübergehend verschiedene modelle (s. para 6) 8- Bezeichnung.

1- Code de localisation de la pièce. 2- Code indicateur de pièce remplace par un autre. 3- Code indicateur de pièce annulé (elle n'est plus montée). 4- Code indicateur de pièce restituée (elle se monte à nouveau). 5- Code référence de la pièce. 6- Les codes de cette case indiquant qu'à partir de numero 7- Chassis ou de moteur indiqué, un nouvelle pièce est montée en remplacement d'une autre (section 2), qu'une pièce n'est plus montée (section 3) ou la pièce anulée est montée à nouveau (section 4) et concernant les modèles indiqués (section 6). 8- Denomination de la pièce.


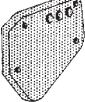
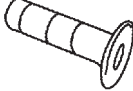

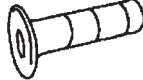

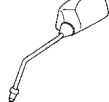
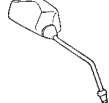








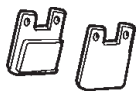
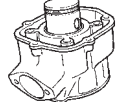





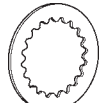


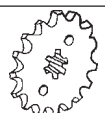
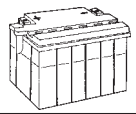
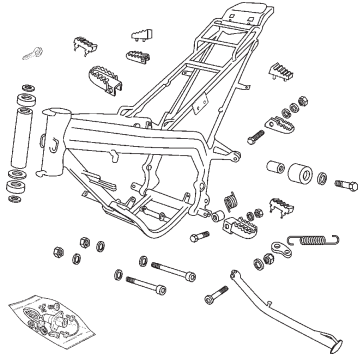
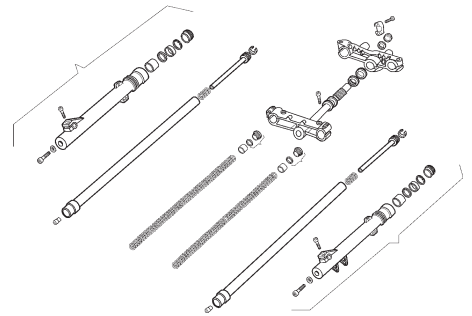
IMAGEN FIGURE	LAMINA DIAGRAM	POSICION POSITION	CODIGO CODE	DESCRIPCION ESPAÑOL / SPANISH DESCRIPTION DESCRIPCION INGLES / ENGLISH DESCRIPTION	CANTIDAD POR MOTO QTY PER BIKE	NOTES NOTES
	01	29A	00F01810411	LLAVE CONTACTO POR MECANIZAR BLANK KEY	1	
	04	26A	00H03209251	ESPUMA FILTRO AIRE AIR FILTER FOAM	1	
	06	04A	00H00930091	EMPUÑADURA LADO GAS GRIP, THROTTLE SIDE	1	
	06	06A	00H00906203	MANETA FRENO DELANTERO FRONT BRAKE LEVER	1	
	06	15A	00H00930071	EMPUÑADURA LADO EMBRAGUE GRIP, CLUTCH SIDE	1	
	06	16A	00H00903291	MANETA EMBRAGUE CLUTCH LEVER	1	
	06	28A	00G04613921	ESPEJO RETROVISOR IZQUIERDO LEFT MIRROR	1	
	06	29A	00H02207671	ESPEJO RETROVISOR DERECHO RIGHT MIRROR	1	
	07	10A	00H01000131	LAMPARA FARO DELANTERO 12V 35W/35W HEADLIGHT BULB	1	
	07	40A	00H01701011	BOMBILLA INTERMITENTES (NARANJA) INDICATOR BULB (ORANGE)	4	
	08	11A	00H01224021	DISCO FRENO DELANTERO FRONT BRAKE DISC	1	
	08	14A	00H04703141	JUEGO PASTILLAS DE FRENO DELANTERO SET OF BRAKE PADS, FRONT	1	
	09	06A	00H01331031	PLATO ARRASTRE Z-53 DRIVE PLATE Z-53	1	
	09	09A	00H01308531	DISCO FRENO TRASERO REAR BRAKE DISC	1	
	09	17A	00H01502201	CADENA SECUNDARIA 130 P TRANSMISSION CHAIN 130 S	1	
	10	16A	00H01120021	PALANCA FRENO TRASERO REAR BRAKE LEVER	1	

IMAGEN FIGURE	LAMINA DIAGRAM	POSICION POSITION	CODIGO CODE	DESCRIPCION ESPAÑOL / SPANISH DESCRIPTION DESCRIPCION INGLES / ENGLISH DESCRIPTION	CANTIDAD POR MOTO QTY PER BIKE	NOTES NOTES
	10	26A	00G04700141	JUEGO PASTILLAS DE FRENO TRASERO SET OF BRAKE PADS, REAR	1	
	15	01A	847508	CTO CILINDRO PISTON CYLINDER PISTON ASSY	1	
	15	02A	8472625001	CTO. PISTON (A) PISTON (A)	1	
	15	02B	8472625002	CTO. PISTON (B) PISTON (B)	1	
	15	02C	8472625003	CTO. PISTON (C) PISTON (C)	1	
	15	02D	8472625004	CTO. PISTON (D) PISTON (D)	1	
	15	03A	847006	ARO PISTON PISTON RING	2	
	16	07A	847043	DISCO CONDUCCIDO DRIVEN CLUTCH PLATE	3	
	16	08A	847044	DISCO CONDUCTOR DRIVE CLUTCH PLATE	4	
	17	02A	00H02703421	PALANCA CAMBIO GEARSHIFT LEVER	1	
	18	22A	00H02813371	PIÑON SALIDA CAMBIO Z-11 OUTPUT PINION Z-11	1	
	22	13A	00G03301401	BATERIA 12V BATTERY 12V	1	

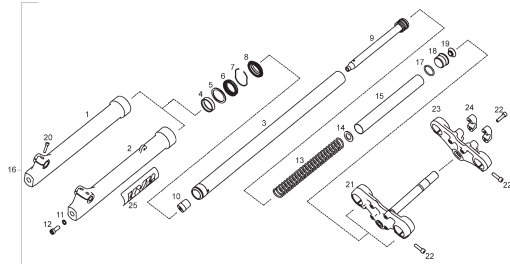
LAMINA / STAMPA / DIAGRAM / BILD / FEUILLE - 1



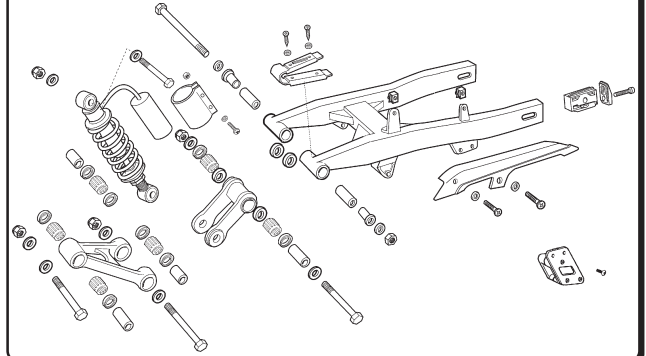
LAMINA / STAMPA / DIAGRAM / BILD / FEUILLE - 2A



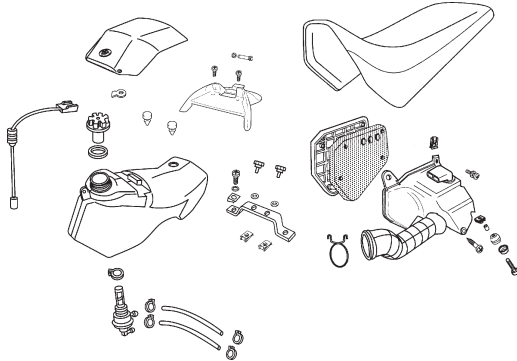
LAMINA / STAMPA / DIAGRAM / BILD / FEUILLE - 2B



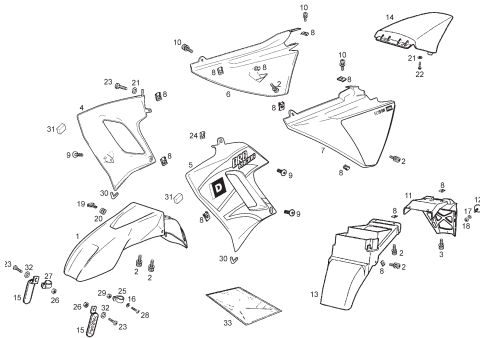
LAMINA / STAMPA / DIAGRAM / BILD / FEUILLE - 3



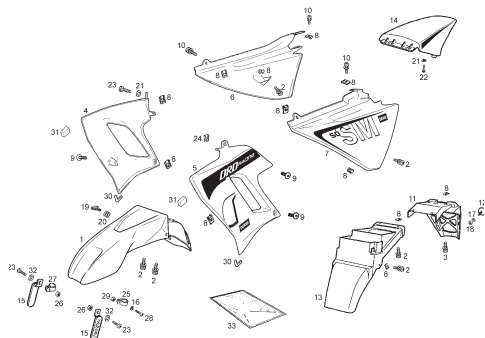
LAMINA / STAMPA / DIAGRAM / BILD / FEUILLE - 4



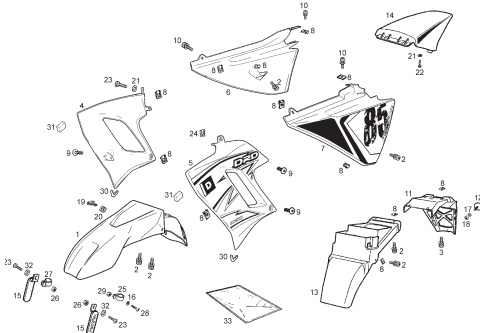
LAMINA / STAMPA / DIAGRAM / BILD / FEUILLE - 5A



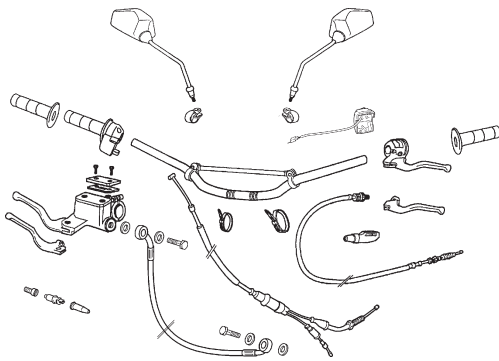
LAMINA / STAMPA / DIAGRAM / BILD / FEUILLE - 5B



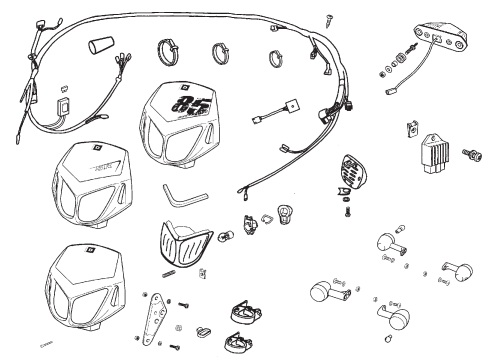
LAMINA / STAMPA / DIAGRAM / BILD / FEUILLE - 5C



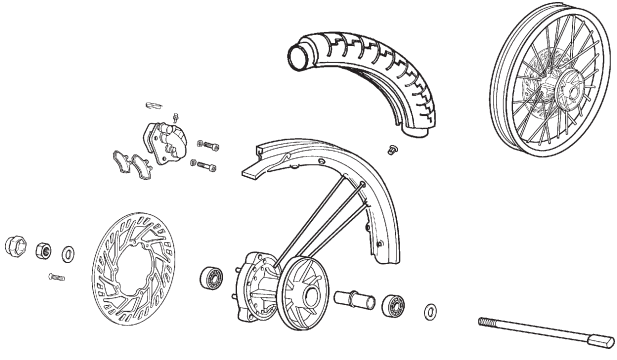
LAMINA / STAMPA / DIAGRAM / BILD / FEUILLE - 6



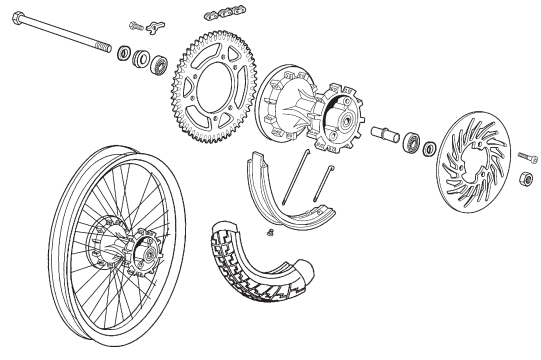
LAMINA / STAMPA / DIAGRAM / BILD / FEUILLE - 7



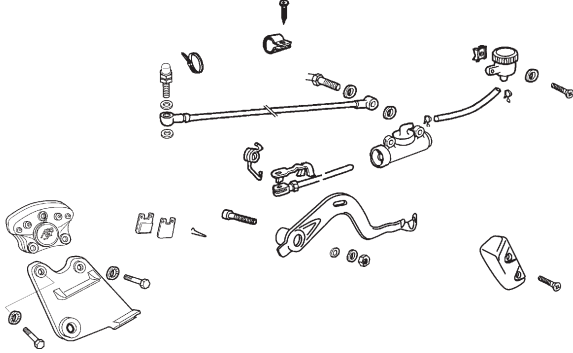
LAMINA / STAMPA / DIAGRAM / BILD / FEUILLE - 8



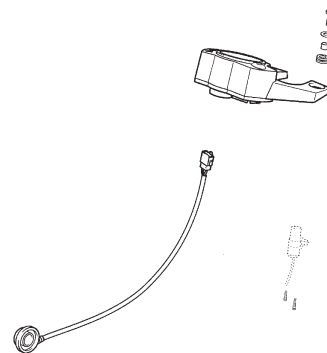
LAMINA / STAMPA / DIAGRAM / BILD / FEUILLE - 9



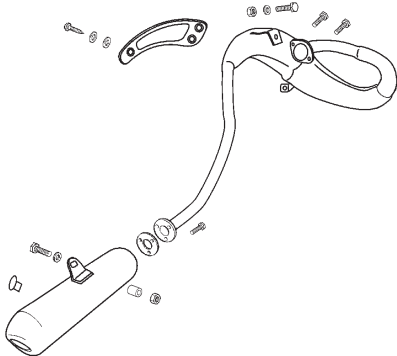
LAMINA / STAMPA / DIAGRAM / BILD / FEUILLE - 10



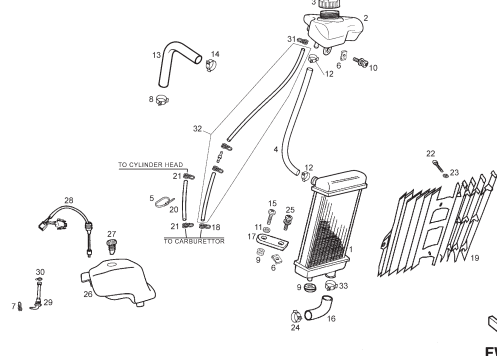
LAMINA / STAMPA / DIAGRAM / BILD / FEUILLE - 11



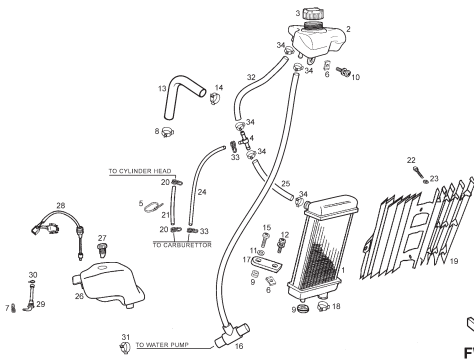
LAMINA / STAMPA / DIAGRAM / BILD / FEUILLE - 12



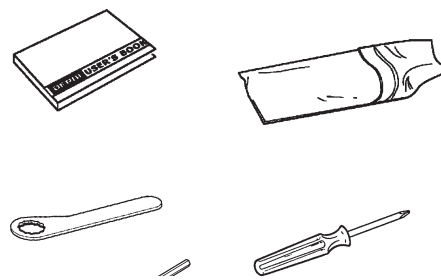
LAMINA / STAMPA / DIAGRAM / BILD / FEUILLE - 13A



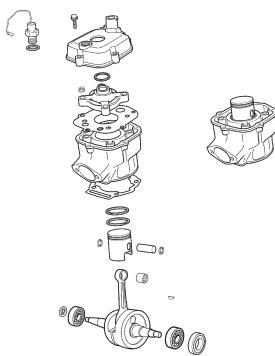
LAMINA / STAMPA / DIAGRAM / BILD / FEUILLE - 13B



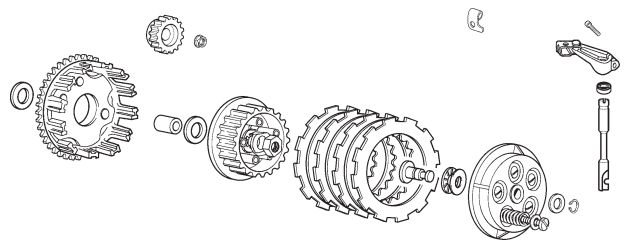
LAMINA / STAMPA / DIAGRAM / BILD / FEUILLE - 14



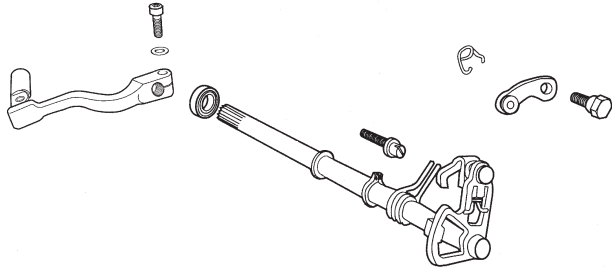
LAMINA / STAMPA / DIAGRAM / BILD / FEUILLE - 15



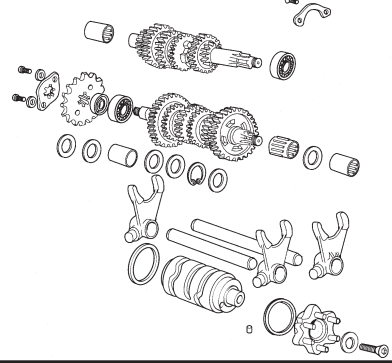
LAMINA / STAMPA / DIAGRAM / BILD / FEUILLE - 16



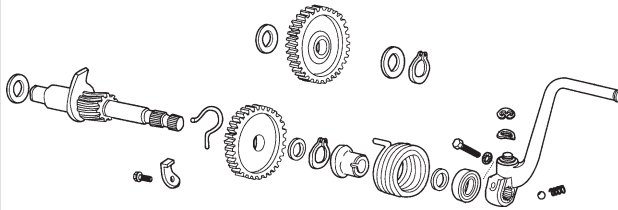
LAMINA / STAMPA / DIAGRAM / BILD / FEUILLE - 17



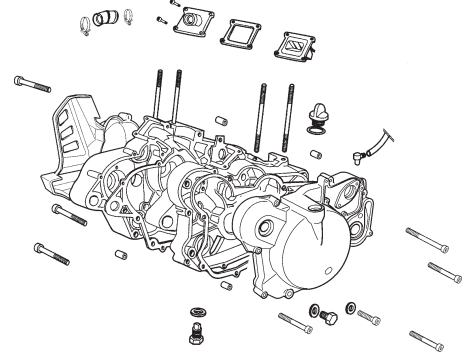
LAMINA / STAMPA / DIAGRAM / BILD / FEUILLE - 18



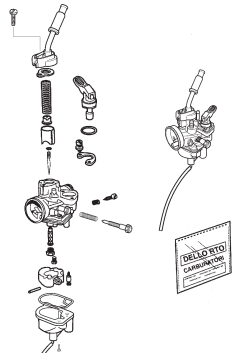
LAMINA / STAMPA / DIAGRAM / BILD / FEUILLE - 19



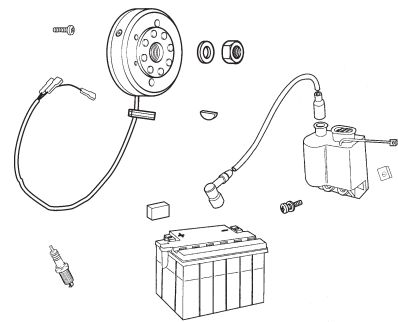
LAMINA / STAMPA / DIAGRAM / BILD / FEUILLE - 20



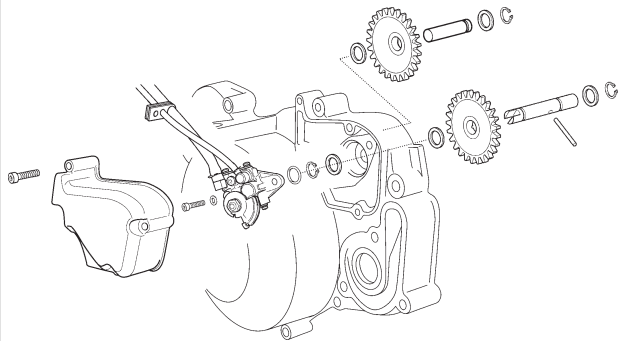
LAMINA / STAMPA / DIAGRAM / BILD / FEUILLE - 21



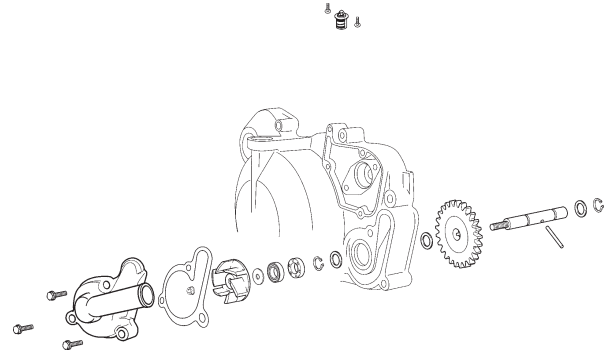
LAMINA / STAMPA / DIAGRAM / BILD / FEUILLE - 22



LAMINA / STAMPA / DIAGRAM / BILD / FEUILLE - 23



LAMINA / STAMPA / DIAGRAM / BILD / FEUILLE - 24



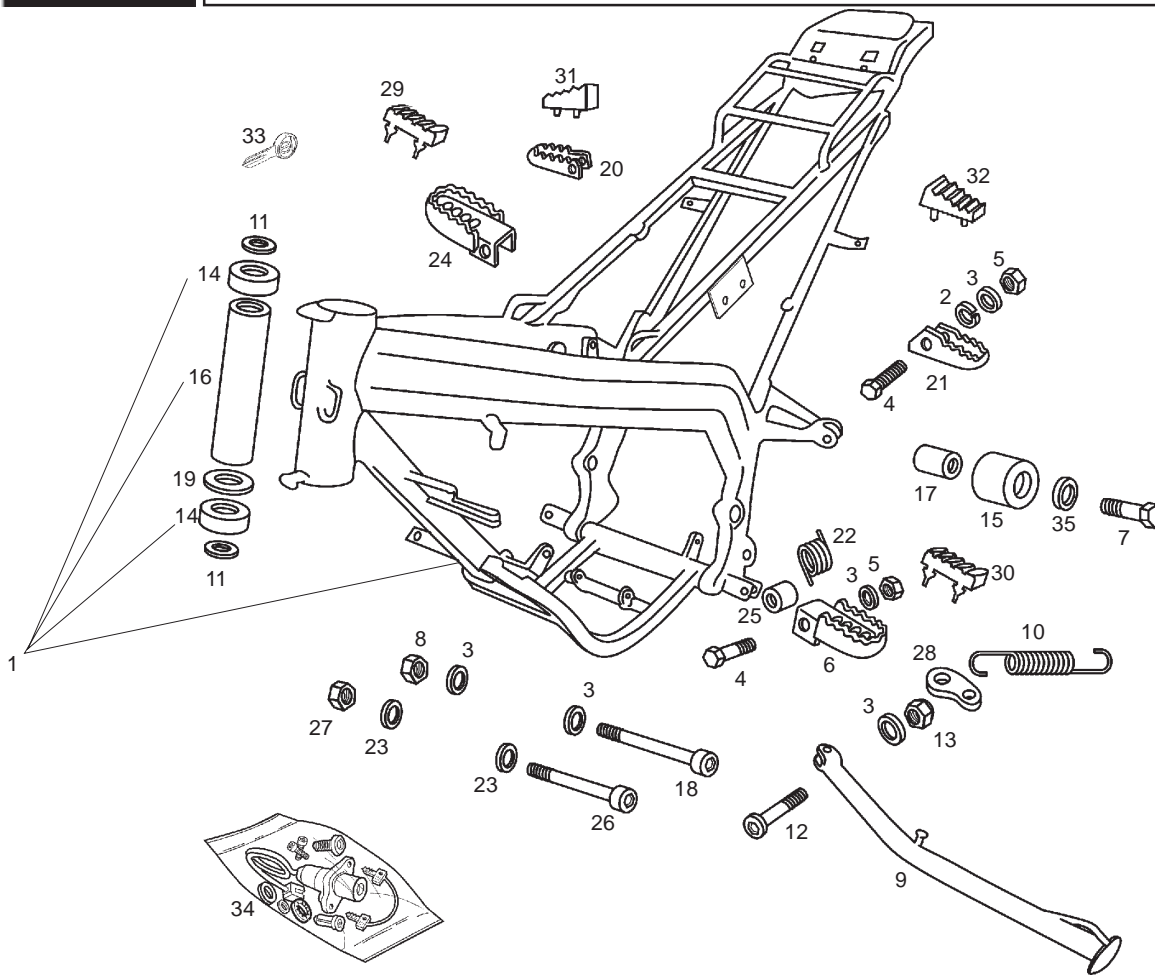


Fig.	Ver.	COD. KOD.	DESCRIPCIÓN DENOMINAZIONE NAME	BEZEICHNUNG DESIGNATION	MOD.	NOTAS NOTES NOTA MITSCHRIFT NOTES
01A		00H01978601	R-CTO CUADRO CON RODAMIENTOS TELAIO FRAME	RAHMEN SOUS ENSEMBLE CADRE	1234 5678	
02A		00036008000	ARANDELA MUELLE D8 RONDELLA WASHER	SCHEIBE RONDELLE	1234 5678	
03A		00402080001	ARANDELA PLANA D8 RONDELLA WASHER	SCHEIBE RONDELLE	1234 5678	
04A		00022084021	TORNILLO C/EXAG. 8M125X40 VITE SCREW	SCHRAUBE VIS	1234 5678	
05A		00023108000	TUERCA AUTOBLOC. 8M125. DADO NUT	MUTTER ECROU	1234 5678	
06A		00H02201312	ESTRIBERA IZQUIERDA PILOTO PEDANA SINISTRA FOOTREST	FUSSRASTER LINKS REPOSE PIED GAUCHE	1234 5678	
07A		00022084521	TORNILLO C/EXAG. 8M125X45 VITE SCREW	SCHRAUBE VIS	1234 5678	
08A		00262080022	TUERCA AUTOBLOCANTE 8M125 DADO NUT	MUTTER ECROU	1234 5678	
09A		00H00820011	PATA CABALLETE ZAMPA CAVALETTO SIDE STAN SUB-ASSY	SEITENSTANDER BEQUILLE LATERALE	1234 5678	
10A		00H00804081	MUELLE PATA CABALLETE MOLLA SPRING	FEDER RESSORT	1234 5678	
11A		00008902630	ARANDELA RONDELLA WASHER	SCHEIBE RONDELLE	1234 5678	

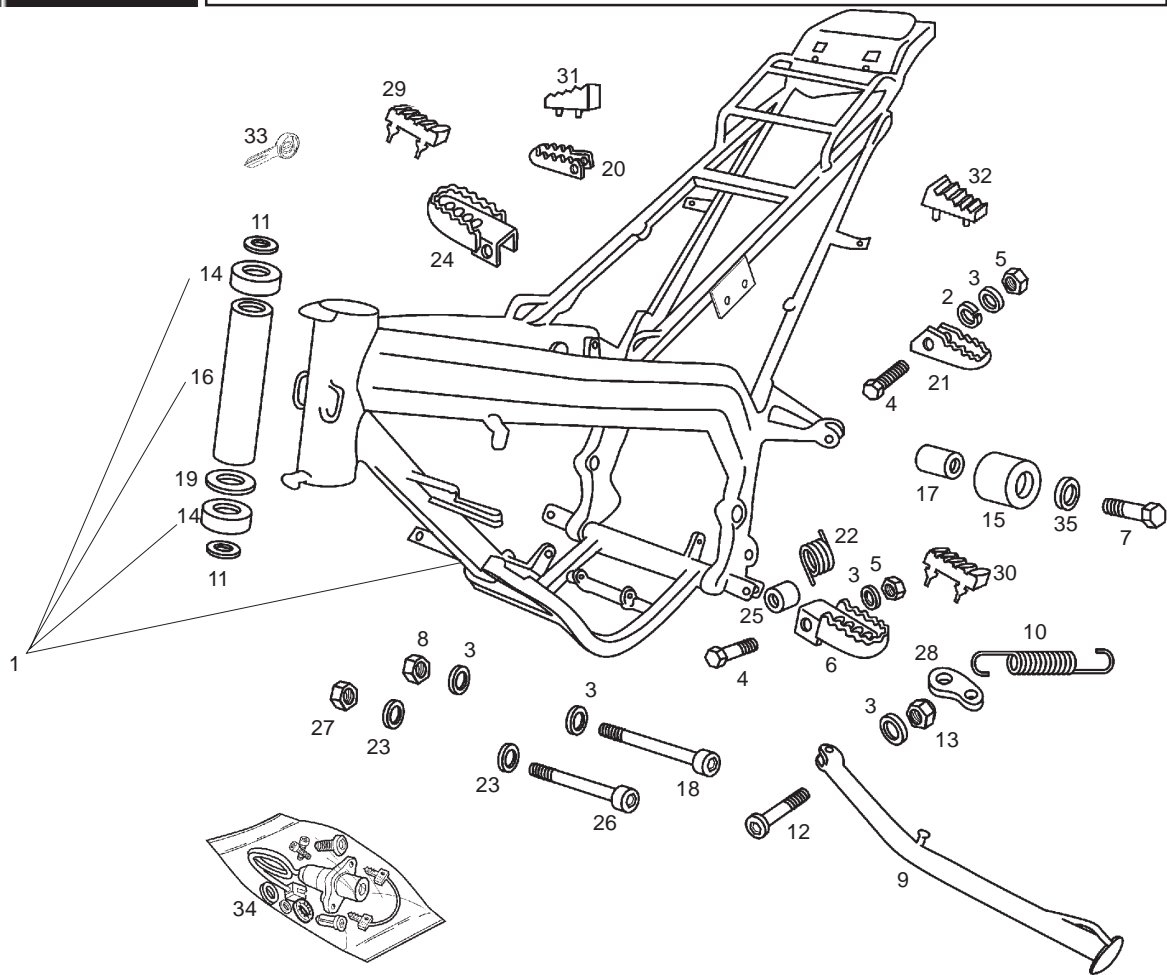


Fig.	Ver.	COD. KOD.	DESCRIPCIÓN DENOMINAZIONE NAME	BEZEICHUNG DESIGNATION	MOD.	NOTAS NOTES NOTA MITSCHRIFT NOTES
12A		00H00805072	TORNILLO FIJ. PATA CABALLETE VITE SCREW	SCHRAUBE VIS	1234 5678	
13A		00023108000	TUERCA EXAGONAL 8M125 DADO NUT	MUTTER ECROU	1234 5678	
14A		00000056205	COJINETE CUSCINETTO BEARING	LAGER COUSSINET	1234 5678	
15A		00H01801771	RODILLO TENSOR CADENA RULLO TENSORE CATENA CHAIN SUPPORTY GUIDE	ROLLE ROULETTE GUIDE CHAINE	1234 5678	
16A		00H06303401	TUBO SEPARADOR COJINETES TUBO TUBE	ROHR TUYAU	1234 5678	
17A		00002518790	CASQUILLO BRONZINA BUSHING	BUCHSE ENTRETOISE	1234 5678	
18A		00H02500272	TORNILLO FIJ. INF. ALL.8M125X90 VITE SCREW	SCHRAUBE VIS	1234 5678	
19A		00H06500451	ARANDELA COJIN. TUBO DIREC. RONDELLA WASHER	SCHEIBE RONDELLE	1234 5678	
20A		00D01520096	ESTRIBERA DERECHA PASAJERO PEDANA DESTRA RIGHT FOOT REST	FUSSRASTER RECHTS REPOSE-PIED DROIT	1234 5678	
21A		00D01540456	ESTRIBERA IZQUIERDA PASAJERO PEDANA SINISTRA LEFT FOOT REST	FUSSRASTER LINKS REPOSE-PIED GAUCHE	1234 5678	
22A		00H04903292	MUELLE FIJACION ESTRIBERA MOLLA SPRING	FEDER RESSORT	1234 5678	

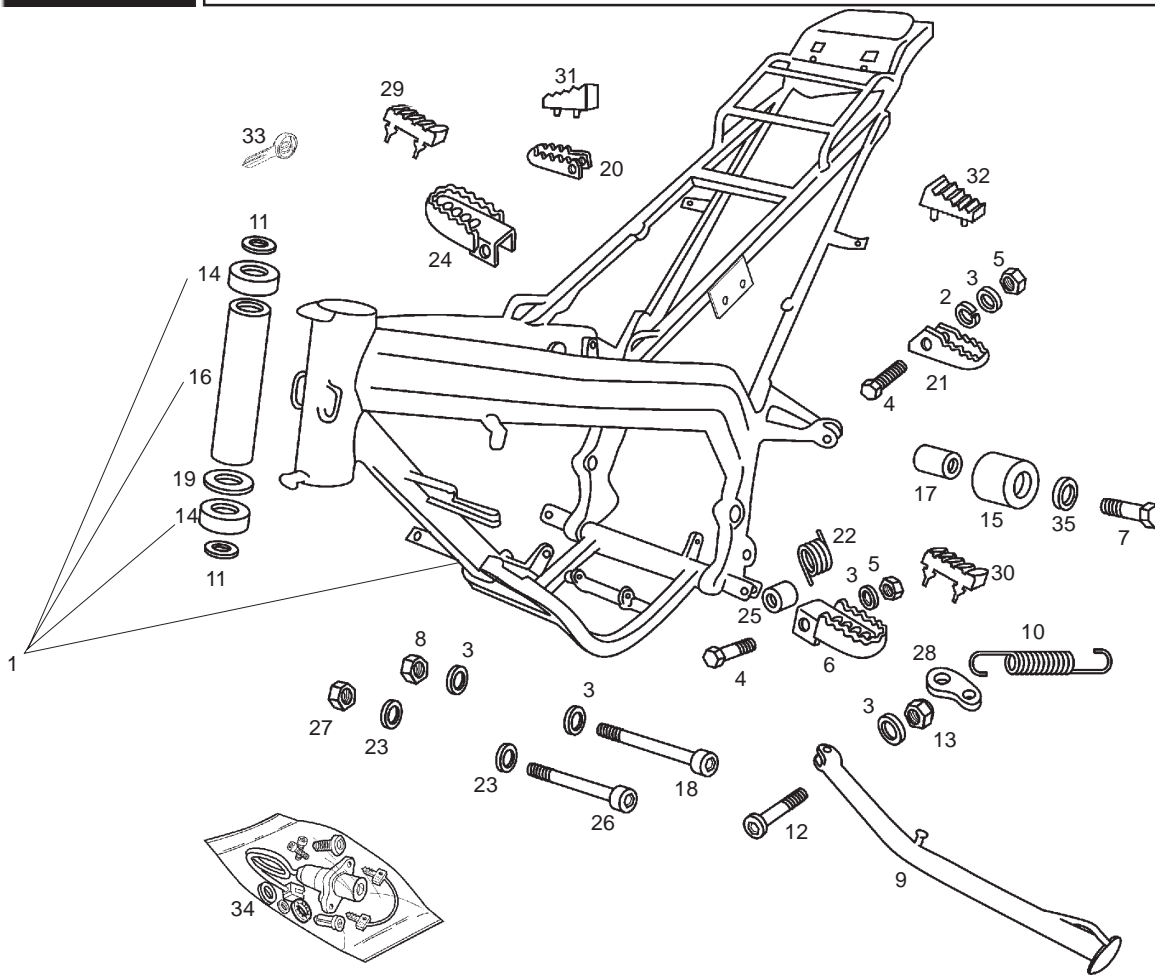


Fig.	Ver.	COD. KOD.	DESCRIPCIÓN DENOMINAZIONE NAME	BEZEICHNUNG DESIGNATION	MOD.	NOTAS NOTES NOTA MITSCHRIFT NOTES
23A		00402100001	ARANDELA PLANA D10 RONDELLA WASHER	SCHEIBE RONDELLE	1234 5678	
24A		00H02201302	ESTRIBERA PILOTO DERECHA PEDANA DESTRA FOOTREST	FUSSRASTER RECHTS REPOSE PIED DROIT	1234 5678	
25A		00002215152	CASQUILLO BRONZINA BUSHING	BUCHSE ENTRETOISE	1234 5678	
26A		00H03000272	TORNILLO FIJ. DT. ALL.10M150X100 VITE SCREW	SCHRAUBE VIS	1234 5678	
27A		00262100032	TUERCA AUTOBLOCANTE 10M150 DADO NUT	MUTTER ECROU	1234 5678	
28A		00H00800422	PLACA RETORNO CABALLETE PIASTRINA RITORNO CAVALLETTO G SPRING KIK-STAND SUPPORT	PLATTE F. GESTELLRUCKFUHRU SUPPORT RESSORT DE BEQUILLE	1234 5678	
29A		00H01502101	PROTECTOR DR. ESTRIBERA PILOTO PROTEZIONE STAFFA DESTRA RIGHT FOOT REST PROTECTOR	RASTER GUMMI RECHTS PROTECTEUR REPOSE-PIED DROI	1234 5678	
30A		00H01501501	PROTECTOR IZ. ESTRIBERA PILOTO PROTEZIONE STAFFA SINISTRA LEFT FOOT REST PROTECTOR	RASTER GUMMI LINKS PROTECTEUR REPOSE-PIED GAUC	1234 5678	
31A		00H01503101	PROTECTOR ESTRIBERA DR. PASAJERO PROTEZIONE STAFFA DESTRA RIGHT FOOT REST PROTECTOR	RASTER GUMMI RECHTS PROTECTEUR REPOSE-PIED DROI	1234 5678	
32A		00H01502501	PROTECTOR ESTRIBERA IZ. PASAJERO PROTEZIONE STAFFA SINISTRA LEFT FOOT REST PROTECTOR	RASTER GUMMI LINKS PROTECTEUR REPOSE-PIED GAUC	1234 5678	
33A		00F01810411	R-LLAVE CERRADURAS P/MEC. CHIAVE KEY	SCHLUSSEL CLEF	1234 5678	

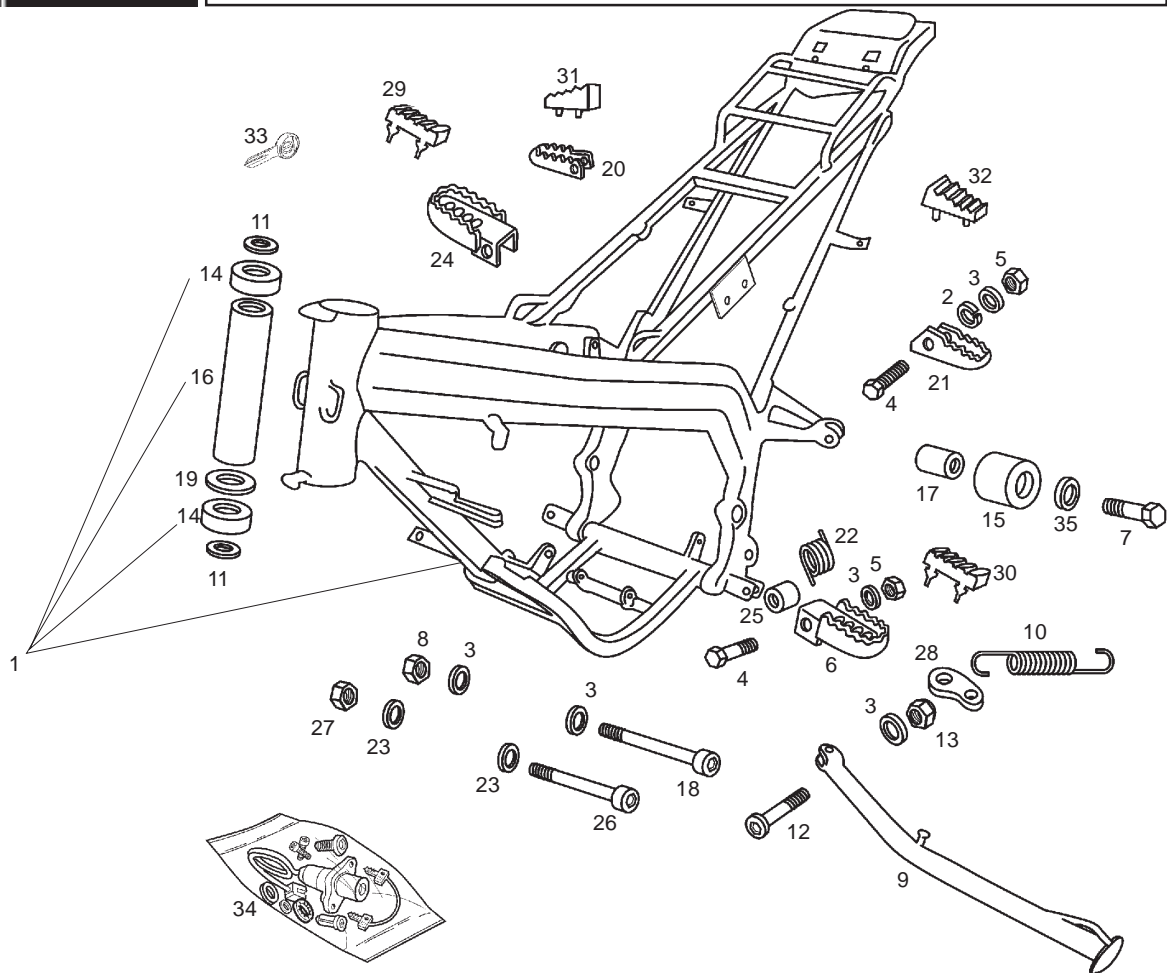
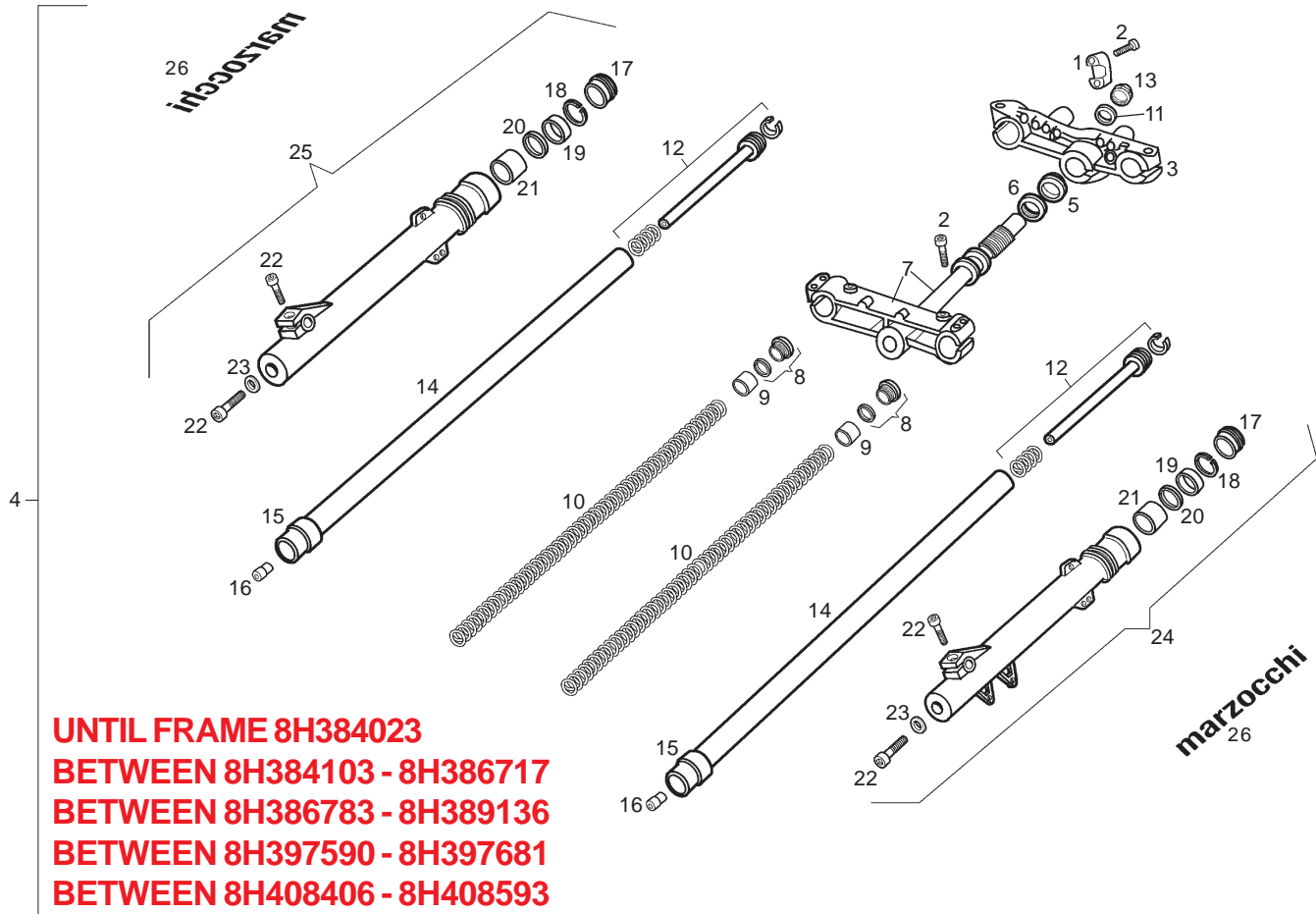


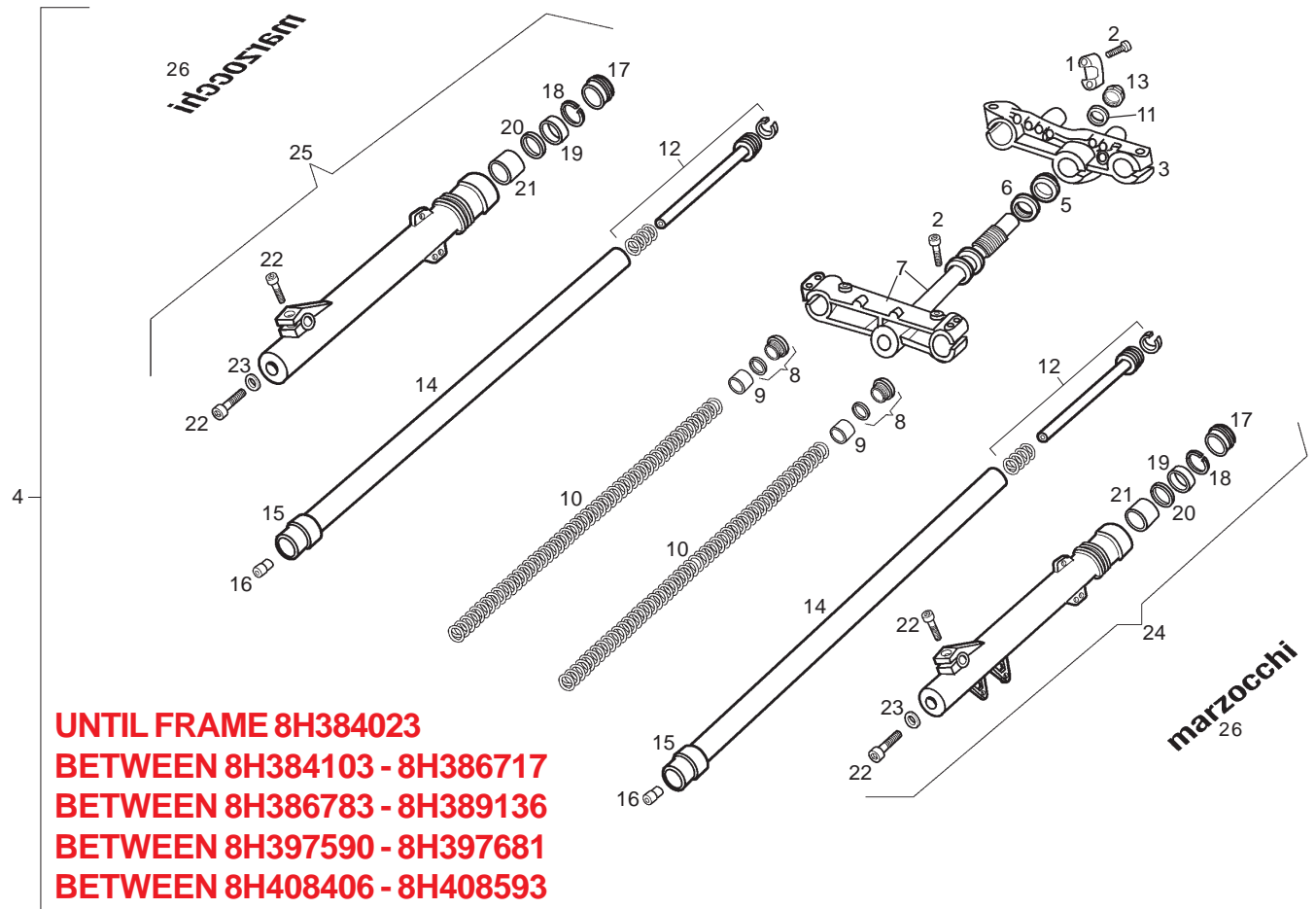
Fig.	Ver.	COD. KOD.	DESCRIPCIÓN DENOMINAZIONE NAME	BEZEICHNUNG DESIGNATION	MOD.	NOTAS NOTES NOTA MITSCHRIFT NOTES
34A		00H05908251	CTO. KIT CERRADURAS SIN LEVAS SERRATURE SENZA LEVA LOCK WITH KEYS WITHOUT LEVER	SCHLOOS-SATZ OHNE VERSCHLUSSHEBEL ENS. KIT SERRURES SANS LEVIER	1 2 3 5 6 7 8	4
35A		00003306570	ARANDELA FIJACION RONDELLA WASHER	SCHEIBE RONDELLE	1 2 3 4 5 6 7 8	



**UNTIL FRAME 8H384023
BETWEEN 8H384103 - 8H386717
BETWEEN 8H386783 - 8H389136
BETWEEN 8H397590 - 8H397681
BETWEEN 8H408406 - 8H408593**

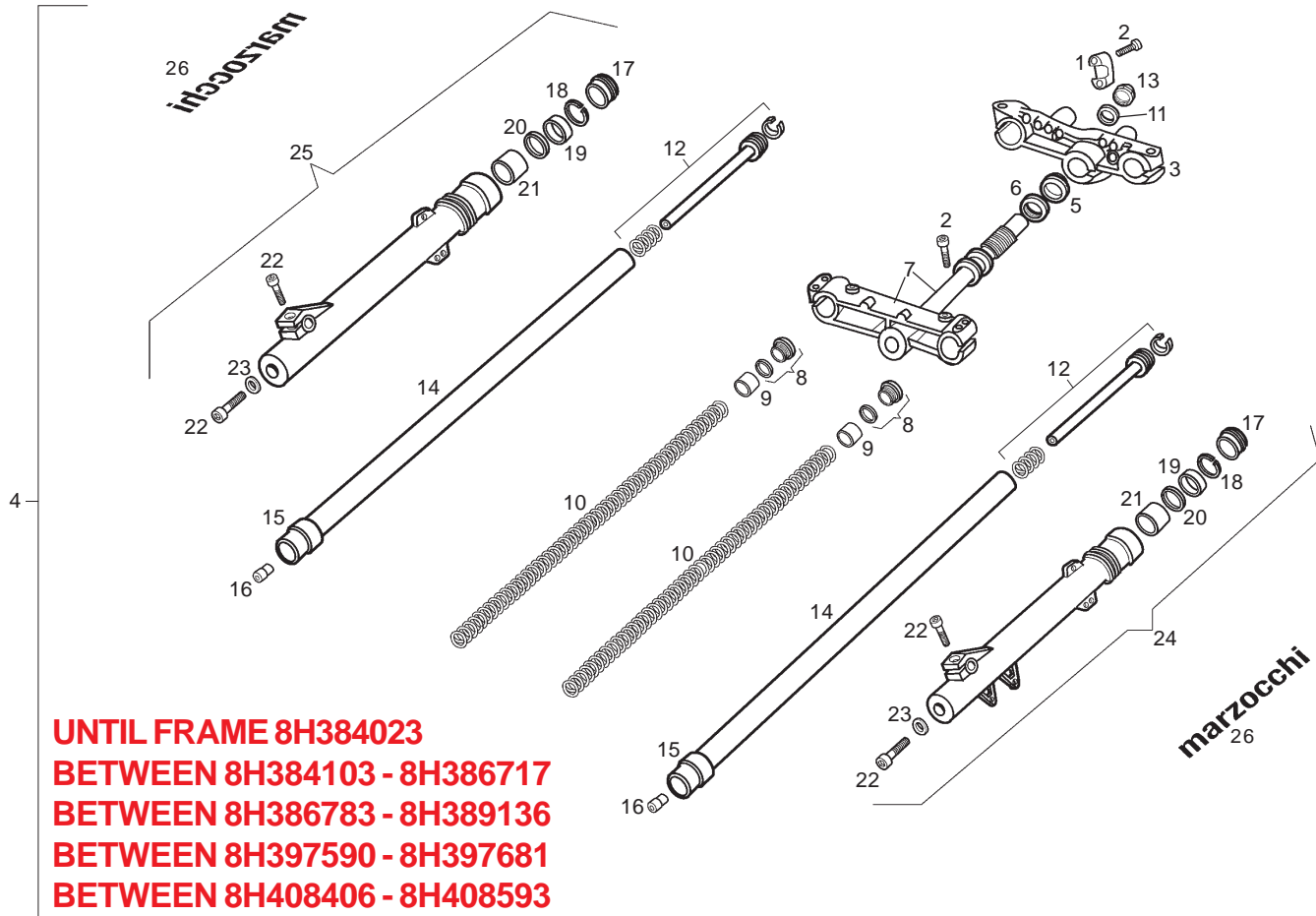
Fig.	Ver.	COD. KOD.	DESCRIPCIÓN DENOMINAZIONE NAME	BEZEICHNUNG DESIGNATION	MOD.	NOTAS NOTES NOTA MITSCHRIFT NOTES
01A		00H00201741	PUENTE.FIJ.MANILLAR FLANGIA FISSAGGIO MANUBRIO R.8 HANDLEBAR LOCK CLAMP	BUGEL ETRIER FIX GUIDON	1 2 3 4 5 6 7 8	TO SEE PICTURE
02A		00000004835	TORNILLO C/ALLEN 8M125X35 VITE SCREW	SCHRAUBE VIS	1 2 3 4 5 6 7 8	TO SEE PICTURE
03A		00H00208091	PLATINA SUPERIOR HORQUILLA FLANGIA SUPERIORE FORCELLA G R-UPPER FORK PLATE	E-TEIL OBERE GABELPLATTE R-PLATINE SUPVRIEURE FOURCHE G	1 2 3 4 5 6 7 8	TO SEE PICTURE
04A		00H00231002	CTO HORQUILLA SM DRD RACING FORCELLA DIRETT. FORK ASSY	LENKGABEL ENSEMBLE FOURCHE DIRITICE	1 2 3 4 5 6 7 8	TO SEE PICTURE
05A		00D00200761	GUARDAPOLVO DIRECCION PARAPOLVERE STERZO DUST COVER, STEM	ABDECKUNG CACHE POUSSIÈRE DIRECTION	1 2 3 4 5 6 7 8	TO SEE PICTURE
06A		00G00200112	TUERCA FIJACION TIJA DADO NUT	MUTTER ECROU	1 2 3 4 5 6 7 8	TO SEE PICTURE
07A		00H00209011	SCTO. TIJA-PLATINA FUSTO PIASTRA LOWER TRIPLE CLAMP, W/PIN ASSY	SATTELSTANGE PLATINE INF. AVEC PIVOT	1 2 3 4 5 6 7 8	TO SEE PICTURE
08A		00H00204271	CTO.TAPON PIERNA TAPPO CAP	PFROPFEN F. GABELSCHENKEL BOUCHON	1 2 3 4 5 6 7 8	TO SEE PICTURE
09A		00H00202151	CASQUILLO GUIA PIERNA GHIERA BUSHING	FUHRUNGSBUCHSE GABELSCHENK ENTRETOISE	1 2 3 4 5 6 7 8	TO SEE PICTURE
10A		00H00206171	MUELLE HORQUILLA MOLLA FORCELLA FORK SPRING	GABELFEDER RESSORT DE FOURCHE	1 2 3 4 5 6 7 8	TO SEE PICTURE
11A		00H00202101	ARANDELA FIJ.TIJA RONDELLA WASHER	SCHEIBE RONDELLE	1 2 3 4 5 6 7 8	TO SEE PICTURE

MARZOCCHI



**UNTIL FRAME 8H384023
BETWEEN 8H384103 - 8H386717
BETWEEN 8H386783 - 8H389136
BETWEEN 8H397590 - 8H397681
BETWEEN 8H408406 - 8H408593**

Fig.	Ver.	COD. KOD.	DESCRIPCIÓN DENOMINAZIONE NAME	BEZEICHNUNG DESIGNATION	MOD.	NOTAS NOTES NOTA MITSCHRIFT NOTES
12A		00H00201531	CTO. TUBO HIDRAULICO TUBO VALVOLA DAMPER TUBE ASSY.	HYDRAULIKROHR ENSEMBLE TUBE HYDRAULIQUE	1234 5678	TO SEE PICTURE
13A		00H00201111	TUERCA FIJACION TIJA DADO NUT	MUTTER ECROU	1234 5678	TO SEE PICTURE
14A		00H00204191	TUBO PRINCIPAL TUBO TUBE	ROHR TUYAU	1234 5678	TO SEE PICTURE
15A		00H00203261	CASQUILLO INT. INFERIOR PIERNA GHIERA BUSHING	BUCHSE GABELSCHENKEL ENTRETOISE	1234 5678	TO SEE PICTURE
16A		00H00202201	SUPMT.GUARDAPOLVO SUPPLEMENTO PARAPOLVERE SUPPLEMENT DUSTGUARD	ZUBEOR STAUBFANGER SUPPLEMENT POUSSIERE FOURCHE	1234 5678	TO SEE PICTURE
17A		00H00202231	GUARDAPOLVO HORQUILLA PARAPOLVERE DUST PROTECTOR	RSTAUBFANGER F. GABEL CACHE POUSSIERE	1234 5678	TO SEE PICTURE
18A		00H00200701	ANILLO RETENCION ACEITE ANELLO DI FERMO STOP RING	RING JOINT	1234 5678	TO SEE PICTURE
19A		00H00203471	CASQUILLO RETEN ACEITE GIUNTO TENUTA SEAL, FORK TUBE.	DICHTRING JOINT SPI FOURCHE	1234 5678	TO SEE PICTURE
20A		00H00201441	ARANDELA CASQUILLO GUIA ANELLO TORICO O RING	RING PFROPFENSCHRAUBE JOINT	1234 5678	TO SEE PICTURE
21A		00H00201581	CASQUILLO GUIA MUELLE GUIDA MOLLA FORCELLA SPRING FORK GUIDE	FUHRUNG F. GABELFEDER GUIDE RESSORT FOURCHE	1234 5678	TO SEE PICTURE
22A		0000004625	TORNILLO C/ALLEN 6M100X25 VITE SCREW	SCHRAUBE VIS	1234 5678	TO SEE PICTURE



MARZOCCHI

Fig.	Ver.	COD. KOD.	DESCRIPCIÓN DENOMINAZIONE NAME	BEZEICHNUNG DESIGNATION	MOD.	NOTAS NOTES NOTA MITSCHRIFT NOTES
23A		00000031060	ARANDELA PLANA D6 RONDELLA WASHER	SCHEIBE RONDELLE	1 2 3 4 5 6 7 8	TO SEE PICTURE
24A		00H02015041	CTO TUBO PIERNA IZQUIERDA ASTA SINISTRA FORK TUBE LOWER LEFT	GABELBEIN LINKS BRANCHE GAUCHE	1 2 3 4 5 6 7 8	TO SEE PICTURE
25A		00H02015031	CTO TUBO PIERNA DERECHA ASTA DESTRA FORKTUBE LOWER RIGHT	GABELBEIN RECHTS BRANCHE DROITE	1 2 3 4 5 6 7 8	TO SEE PICTURE
26A		865002	CALCA MARZOCCHI ADESIVO STICKER	SCHRIFTZUG ADHESIF	1 2 3 4 5 6 7 8	TO SEE PICTURE

KYB

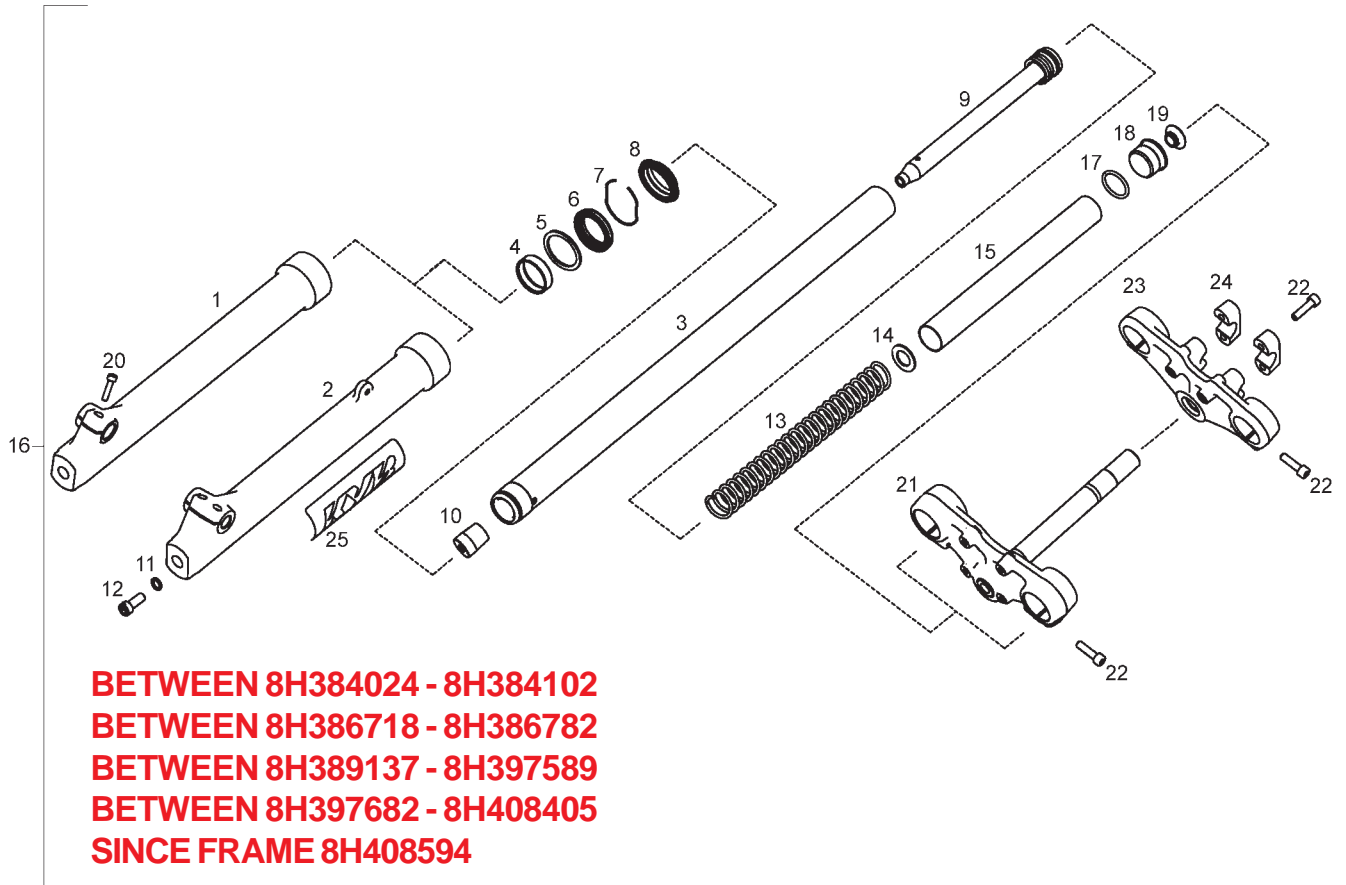


Fig.	Ver.	COD. KOD.	DESCRIPCIÓN DENOMINAZIONE NAME	BEZEICHUNG DESIGNATION	MOD.	NOTAS NOTES NOTA MITSCHRIFT NOTES
01A		864884	PIERNA DERECHA ASTA DESTRA OUTER TUBE, R	GABELBEIN RECHTS BRANCHE DROITE	1234 5678	TO SEE PICTURE
02A		864904	PIERNA IZQUIERDA ASTA SINISTRA OUTER TUBE, L	GABELBEIN LINKS BRANCHE GAUCHE	1234 5678	TO SEE PICTURE
03A		864882	TUBO PRINCIPAL TUBO INNER TUBE COMP	ROHR TUYAU	1234 5678	TO SEE PICTURE
04A		864885	CASQUILLO GUIA GHIERA BUSH, GUIDE	BUCHSE GABELSCHENKEL ENTRETOISE	1234 5678	TO SEE PICTURE
05A		864886	ARANDELA RONDELLA WASHER	SCHEIBE RONDELLE	1234 5678	TO SEE PICTURE
06A		864887	RETEN DE ACEITE ANELLO TENUTA OIL SEAL	DICHTRING JOINT SPIE	1234 5678	TO SEE PICTURE
07A		864888	CIRCLIP ANELLO DI FERMO SNAP RING	RING JOINT	1234 5678	TO SEE PICTURE
08A		864889	GUARDAPOLVO PARAPOLVERE DUST SEAL	RSTAUBFANGER F. GABEL CACHE POUSSIERE	1234 5678	TO SEE PICTURE
09A		864890	CTO PISTON HIDRAULICO TUBO VALVOLA CYLINDER COMP	HYDRAULIKROHR TUBE HYDRAULIQUE	1234 5678	TO SEE PICTURE
10A		864891	TAMPON PUNTERA TAMPONE BUFFER	PUFFER SILENTBLOC	1234 5678	TO SEE PICTURE
11A		864892	ARANDELA SELLADO RONDELLA WASHER	SCHEIBE RONDELLE	1234 5678	TO SEE PICTURE

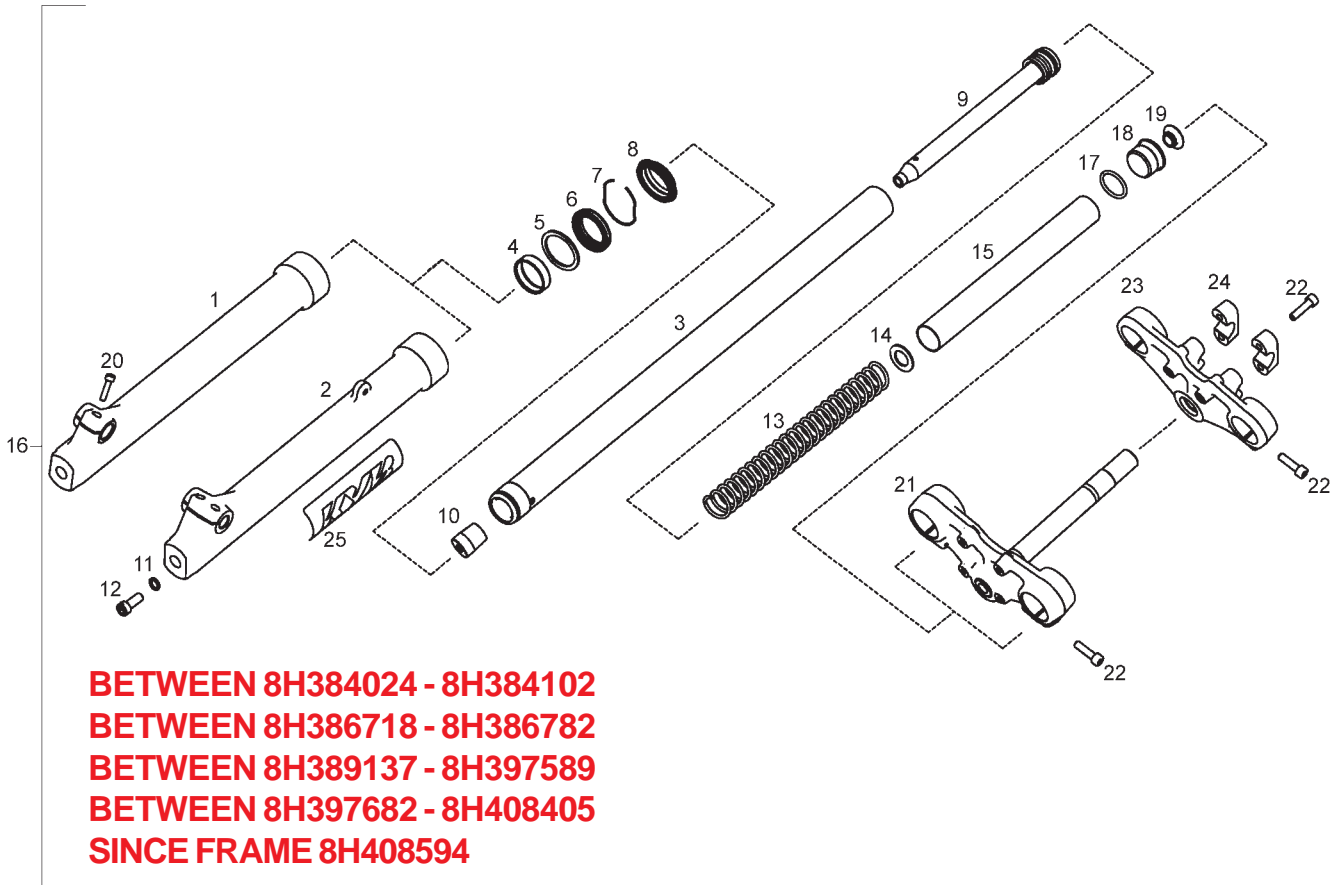
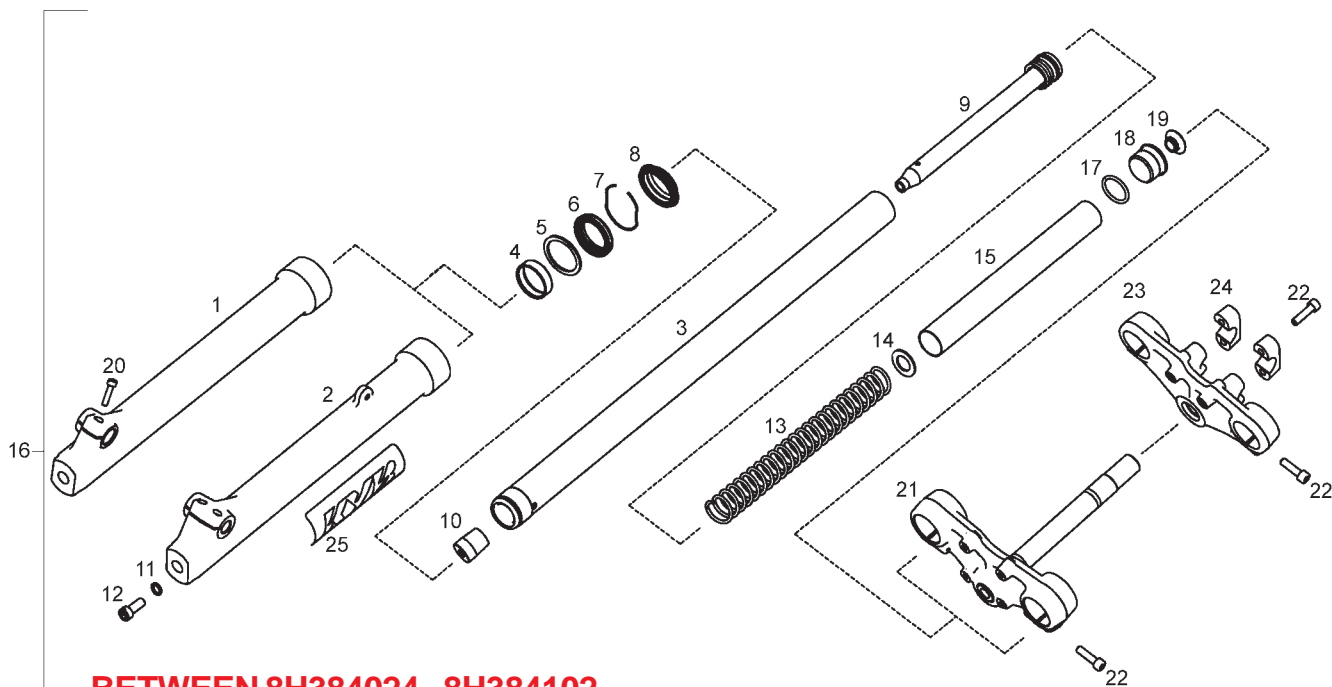


Fig.	Ver.	COD. KOD.	DESCRIPCIÓN DENOMINAZIONE NAME	BEZEICHUNG DESIGNATION	MOD.	NOTAS NOTES NOTA MITSCHRIFT NOTES
12A		864893	TORNILLO VITE SCREW	SCHRAUBE VIS	1234 5678	TO SEE PICTURE
13A		864905	MUELLE PRINCIPAL MOLLA SPRING	FEDER RESORT	1234 5678	TO SEE PICTURE
14A		864895	ARANDELA RONDELLA WASHER	SCHEIBE RONDELLE	1234 5678	TO SEE PICTURE
15A		864906	TUBO SEPARADOR TUBO SPACER	ROHR TUYAU	1234 5678	TO SEE PICTURE
16A		864453	CTO HORQUILLA FORCELLA DIRETT. FORK ASSY	LENKGABEL ENSEMBLE FOURCHE DIRITICE	1234 5678	TO SEE PICTURE
17A		864897	ANILLO TÓRICO ANELLO TENUTA OIL SEAL	DICHTRING BAGUE D'ÉTANCHÉITE	1234 5678	TO SEE PICTURE
18A		864907	TAPON PIERNA HORQUILLA TAMPONE BUFFER	PUFFER SILENTBLOC	1234 5678	TO SEE PICTURE
19A		864899	TAPON ADORNO TAMPONE BUFFER	PUFFER SILENTBLOC	1234 5678	TO SEE PICTURE
20A		864900	TORNILLO VITE SCREW	SCHRAUBE VIS	1234 5678	TO SEE PICTURE
21A		864880	TIJA PLATINA FUSTO PIASTRA UNDER BRACKET COMP	SATTELSTANGE PLATINE INF. AVEC PIVOT	1234 5678	TO SEE PICTURE
22A		864881	TORNILLO TIJA PLATINA VITE SCREW	SCHRAUBE VIS	1234 5678	TO SEE PICTURE

KYB



**BETWEEN 8H384024 - 8H384102
BETWEEN 8H386718 - 8H386782
BETWEEN 8H389137 - 8H397589
BETWEEN 8H397682 - 8H408405
SINCE FRAME 8H408594**

Fig.	Ver.	COD. KOD.	DESCRIPCIÓN DENOMINAZIONE NAME	BEZEICHNUNG DESIGNATION	MOD.	NOTAS NOTES NOTA MITSCHRIFT NOTES
23A		864901	PLATINA SUPERIOR FLANGIA SUPERIORE FORCELLA G UPPER BRACKET	TEIL OBERE GABELPLATTE PLATINE SUPERIEURE FOURCHE G	1234 5678	TO SEE PICTURE
24A		864902	PUENTE FIJACION MANILLAR FLANGIA FISSAGGIO MANUBRIO R.8 HANDLEBAR HOLDER	BUGEL ETRIER FIX GUIDON	1234 5678	TO SEE PICTURE
25A		864903	CALCA KYB ADESIVO STICKER	SCHRIFTZUG ADHESIF	1234 5678	TO SEE PICTURE

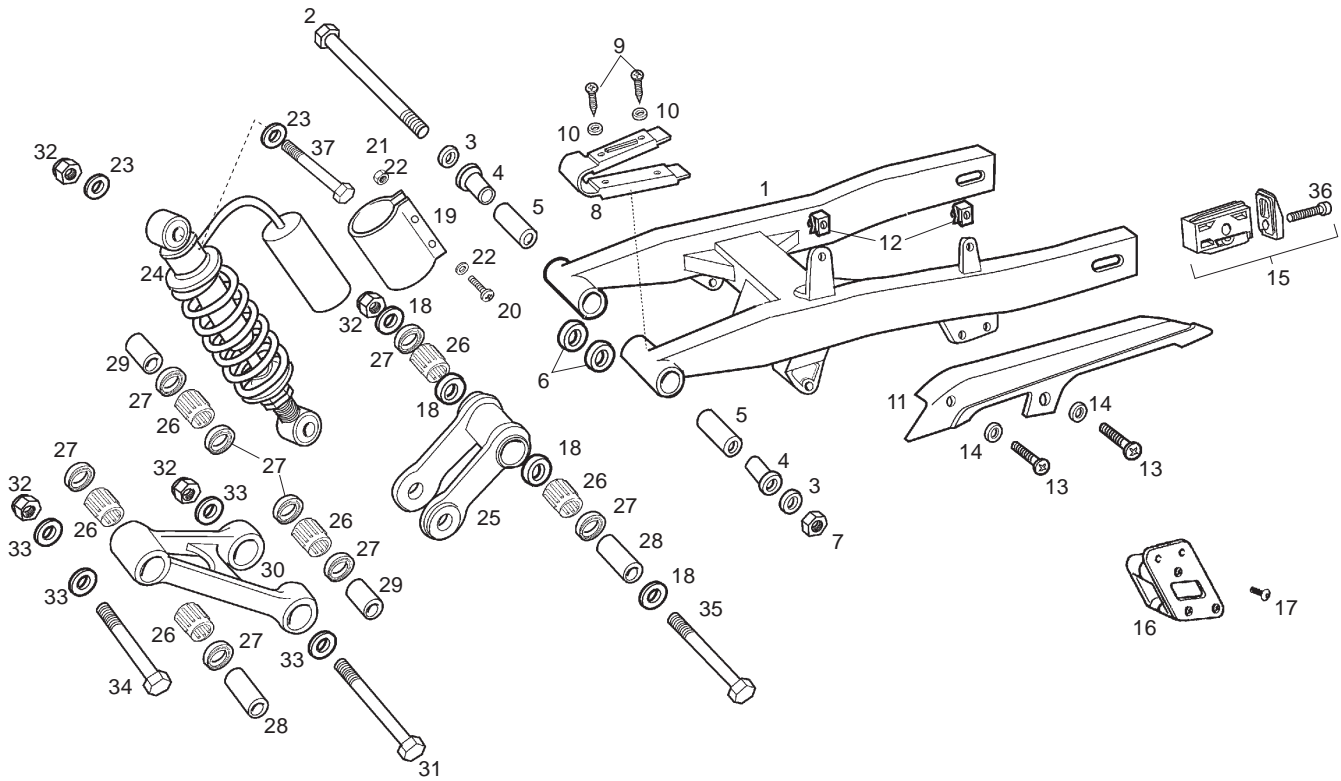


Fig.	Ver.	COD. KOD.	DESCRIPCIÓN DENOMINAZIONE NAME	BEZEICHNUNG DESIGNATION	MOD.	NOTAS NOTES NOTA MITSCHRIFT NOTES
01A		00H00325971	SCTO BASCULANTE C/CASQUILLO RIBALTABILE SWING ARM SUB-ASSY	SCHWINGENACHSE BRAS OSCILLANT	1234 5678	
02A		00H01304202	SCTO.EJE BASCULANTE ASSE RIBALTABILE SWING ARM SUB-ASSEMBLY	HINTERRADACHSE AXE DE BRAS OSCILLANT	1234 5678	
03A		00003112322	ARANDELA EJE RUEDA RONDELLA WASHER	SCHEIBE RONDELLE	1234 5678	
04A		00002503230	CASQUILLO BRONZINA BUSHING	BUCHSE ENTRETOISE	1234 5678	
05A		00H00301401	CASQUILLO BRONZINA BUSHING	BUCHSE ENTRETOISE	1234 5678	
06A		00D01300192	ARANDELA EJE RONDELLA WASHER	SCHEIBE RONDELLE	1234 5678	
07A		00262120032	TUERCA AUTOBLOC. 12M150 DADO NUT	MUTTER ECROU	1234 5678	
08A		00H01804331	PLACA ROZAMIENTO CADENA PIASTRA ATTRITO CATENA CHAIN FORCHIN PLATE	KETTEN-REIBPLATTE PLAQUE GLISSEMENT CHAINE	1234 5678	
09A		00011141300	TORNILLO C/CRUZ 4,8X13. VITE SCREW	SCHRAUBE VIS	1234 5678	
10A		00000031050	ARANDELA D5 RONDELLA WASHER	SCHEIBE RONDELLE	1234 5678	
11A		00H01508181	CUBRECADENA COPRICATENA CHAIN COVER	KETTENSCHUTZ COUVRE CHAINE	1234 5678	

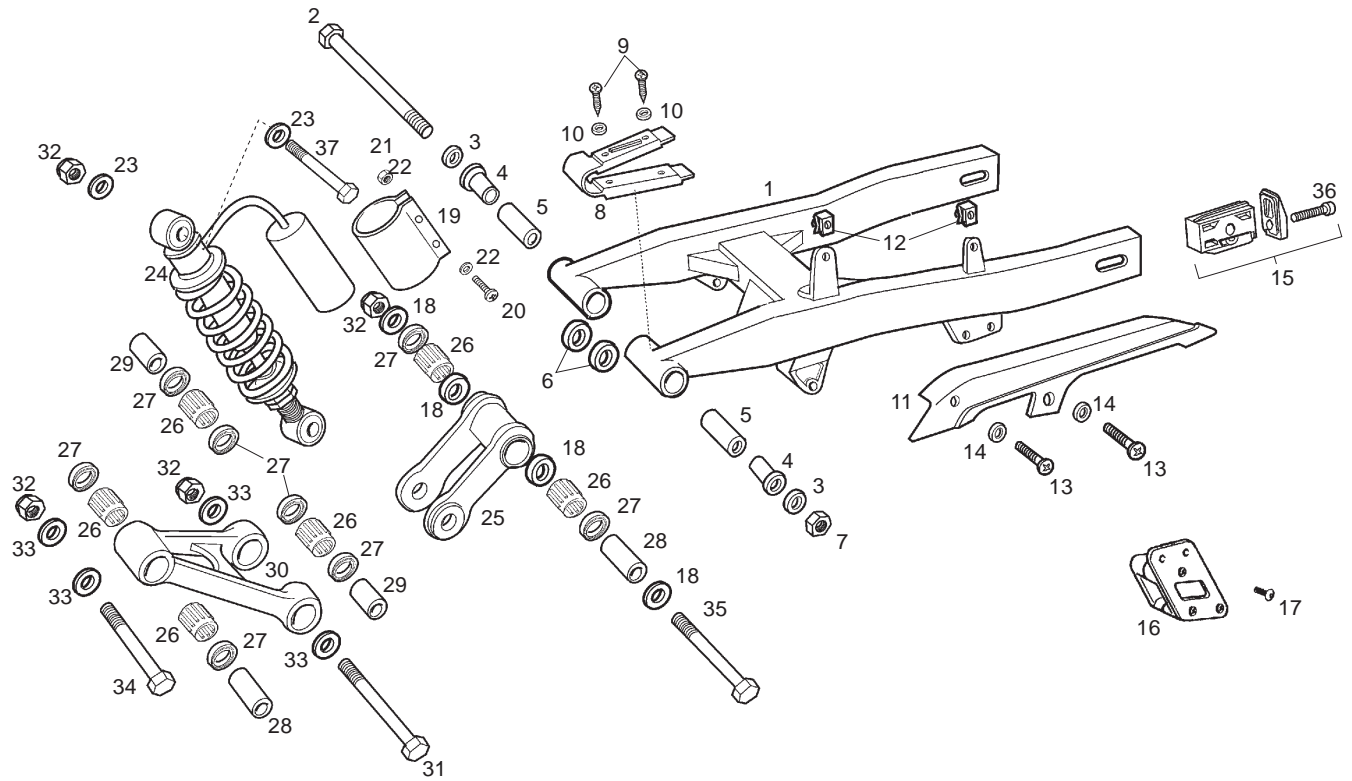


Fig.	Ver.	COD. KOD.	DESCRIPCIÓN DENOMINAZIONE NAME	BEZEICHUNG DESIGNATION	MOD.	NOTAS NOTES NOTA MITSCHRIFT NOTES
12A		00D01501371	TUERCA FIJACION D6 DADO NUT	MUTTER ECROU	1234 5678	
13A		00012061200	TORNILLO C/CRUZ NG 6M100X12 VITE SCREW	SCHRAUBE VIS	1234 5678	
14A		00D01200171	ARANDELA RONDELLA WASHER	SCHEIBE RONDELLE	1234 5678	
15A		00H01304811	R-CTO.TENSOR RUEDA TENSORE RUOTA ADJUSTER, REAR WHEEL	HINTERRADSPANNER TENDEUR DE ROUE	1234 5678	
16A	01	00H01502871	CTO GUIA CADENA GUIDA CATENA CHAIN GUIDE	GLEITBAHN GUIDE CHAINE	1234 5678	
16A		86133R	CTO GUIA CADENA GUIDA CATENA CHAIN GUIDE	GLEITBAHN GUIDE CHAINE	1234 5678	
17A		00012061000	TORNILLO C/REDONDA 6X10 VITE SCREW	SCHRAUBE VIS	1234 5678	
18A		00001213190	CASQUILLO BRONZINA BUSHING	BUCHSE ENTRETOISE	1234 5678	
19A		00H02201521	BRIDA BRIGLIA BRIDLE	ZÜGEL BRIDE	1234 5678	
20A		00000004630	TORNILLO C/ALLEN 6M100X30 VITE SCREW	SCHRAUBE VIS	1234 5678	
21A		00000021060	TUERCA EXAG. 6M100 DADO NUT	MUTTER ECROU	1234 5678	

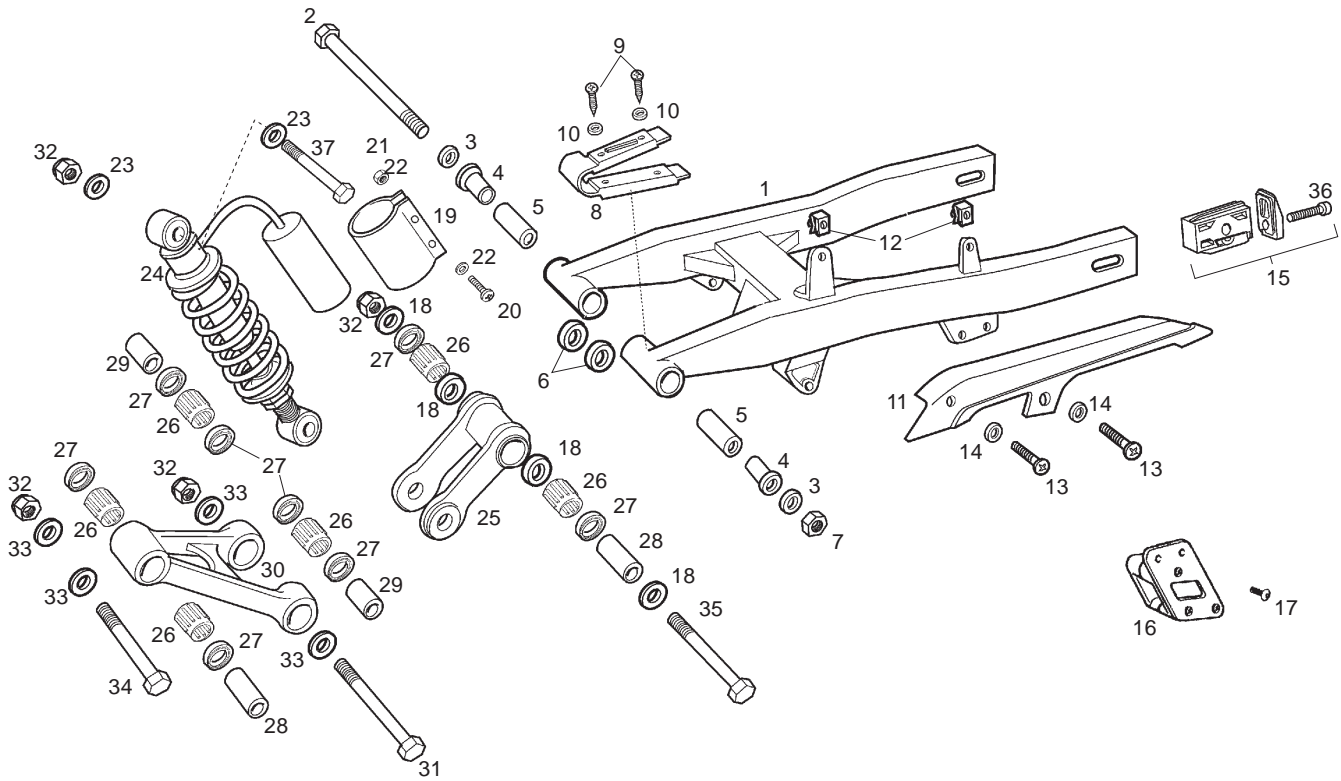


Fig.	Ver.	COD. KOD.	DESCRIPCIÓN DENOMINAZIONE NAME	BEZEICHUNG DESIGNATION	MOD.	NOTAS NOTES NOTA MITSCHRIFT NOTES
22A		00000031070	ARANDELA M7 RONDELLA WASHER	SCHEIBE RONDELLE	1234 5678	
23A		00003115422	ARANDELA RONDELLA WASHER	SCHEIBE RONDELLE	1234 5678	
24A		00H01511191	CTO AMORTIGUADOR AMMORTIZZATORE SHOCK ABSORBER	FEDERBEIN AMORTISSEUR	1234 5678	
25A		00H00301801	SCTO.BIELA ARTICULACION SCTO.BIELA ARTICUL. SUSPENSION LINKS ARTICULATION	U-GRUPPE ANGELENKTES PLEUEL S/ENSEMBLE BIELLE ARTICULATION	1234 5678	
26A		00H00301701	JAULA AGUJAS BIELETAS GABBIA SPILLI BIELLETTE SUSPENSION LINKS NEEDLE BEARING	NADELK < FIG PLEUEL CAGE AIGUILLES BIELLETES	1234 5678	
27A		00H00301871	RETEN JAULA AGUJAS BIELETAS GIUNTO TENUTA SEAL	DICHTRING JOINT	1234 5678	
28A		00H00301851	CASQUILLO BRONZINA BUSHING	BUCHSE ENTRETOISE	1234 5678	
29A		00H00301861	CASQUILLO BRONZINA BUSHING	BUCHSE ENTRETOISE	1234 5678	
30A		863989	SCTO BIELA TRIANGULAR C/CASQ. BIELLA TRIANGOLO SUSPENSION TRIANGULATION LINKS	U-GRUPPE ANGELENKTE TRIANGULA S/ENSEMBLE BIELLE TRIANGLE ART	1234 5678	
31A		00H00300891	TORNILLO FIJ. AMORT. 12M175X110 VITE SCREW	SCHRAUBE VIS	1234 5678	
32A		00023112000	TUERCA AUTOBLOC.12M175 DADO NUT	MUTTER ECROU	1234 5678	

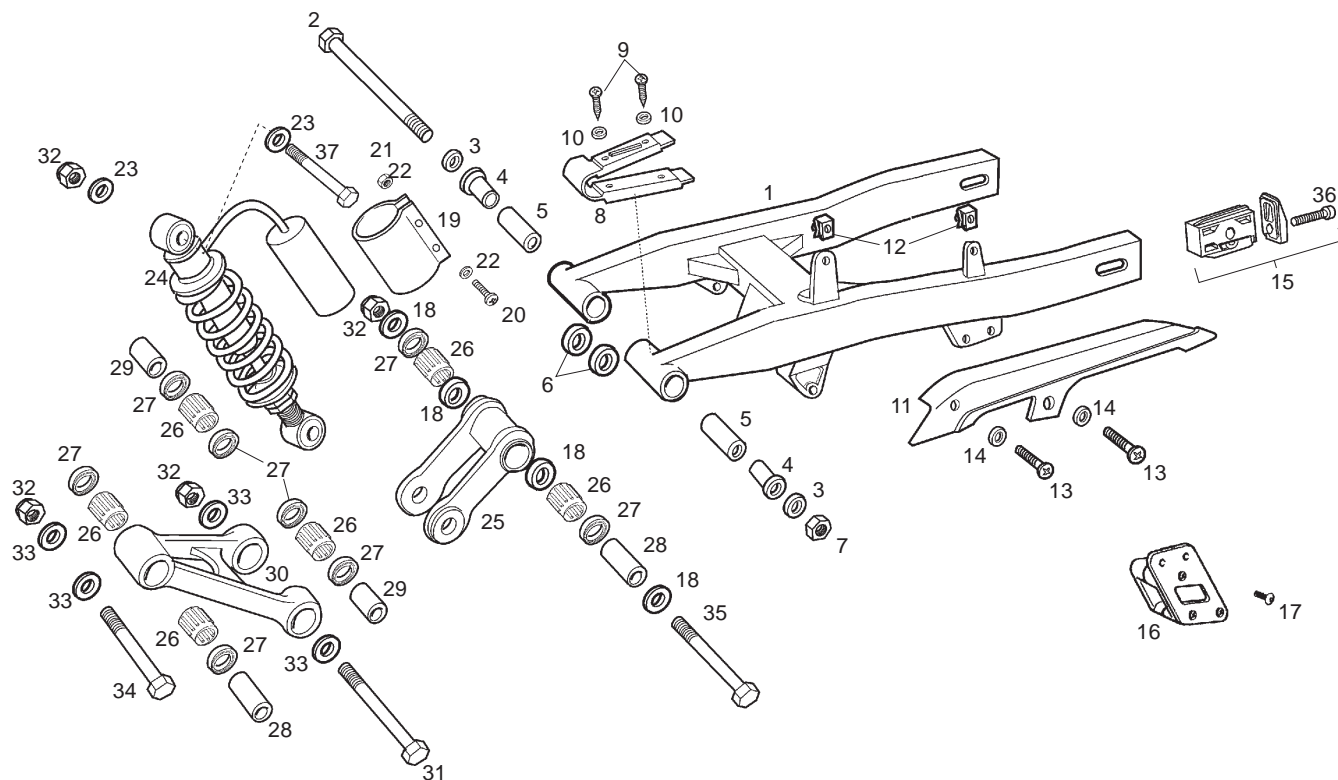


Fig.	Ver.	COD. KOD.	DESCRIPCIÓN DENOMINAZIONE NAME	BEZEICHNUNG DESIGNATION	MOD.	NOTAS NOTES NOTA MITSCHRIFT NOTES
33A		00H01500421	ARANDELA FIJ.INF.AMORT. RONDELLA WASHER	SCHEIBE RONDELLE	1234 5678	
34A		00H06800471	TORNILLO FIJ. B I ELA 12M175X70 VITE SCREW	SCHRAUBE VIS	1234 5678	
35A		00031120123	TORNILLO FIJ. BI ELETAS VITE SCREW	SCHRAUBE VIS	1234 5678	
36A		00H01301491	TORNILLO C/ALLEN M8X50 VITE SCREW	SCHRAUBE VIS	1234 5678	
37A		00H00303892	TORNILLO 12M175X58 VITE SCREW	SCHRAUBE VIS	1234 5678	

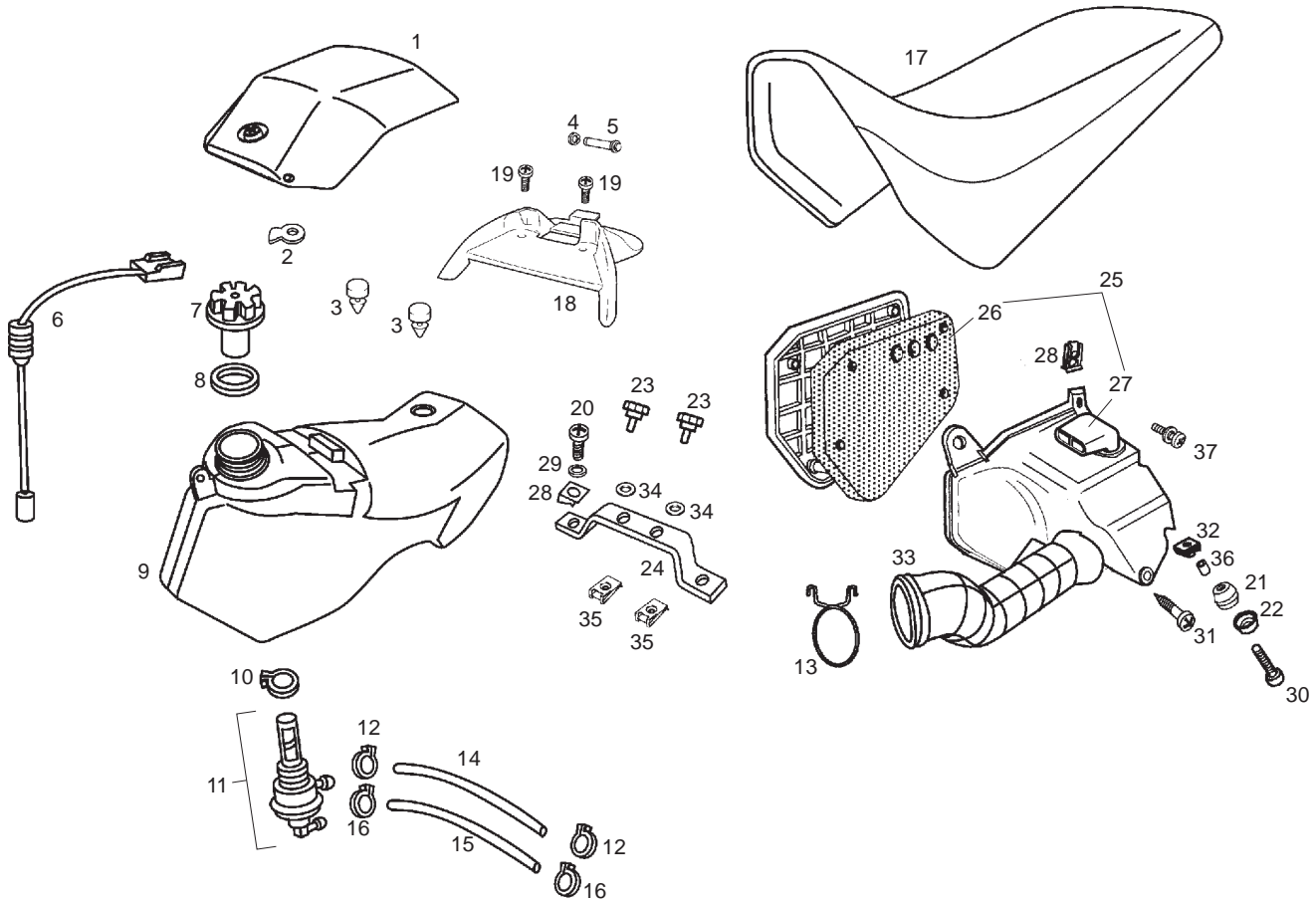


Fig.	Ver.	COD. KOD.	DESCRIPCIÓN DENOMINAZIONE NAME	BEZEICHUNG DESIGNATION	MOD.	NOTAS NOTES NOTA MITSCHRIFT NOTES
01A		00H00415681	TAPA SUPERIOR DEPOSITO COPERCHIO COVER	DECKEL COUVERCLE	1 2 3 4 7 8	
01B		86246100WB1	TAPA SUPERIOR DEPOSITO COPERCHIO COVER	DECKEL COUVERCLE	5	
01C		86246100WA3	TAPA SUPERIOR DEPOSITO COPERCHIO COVER	DECKEL COUVERCLE	6	
02A		864099	LEVA CIERRE TAPA DEPOSITO LEVA LEVER	SCHLOSS-VERSCHLUSSHEBEL LEVIER	1 2 3 4 5 6 7 8	
03A		00G01401321	TOPE GOMA GOMMA RUBBER	GUMMISTOPPEL CAOUTCHOUC	1 2 3 4 5 6 7 8	
04A		00047030400	ANILLO SEGURIDAD EJES D4 ANELLO SICUREZZA CIRCLIP	SICHERHEITSRING ANNEAU SECURITE	1 2 3 4 5 6 7 8	
05A		00H06303752	EJE ARTICULACION TAPA DEPOSITO ASSE ARTIC. COPERCHIO.SUP.SERB. AXLE	STIFT AXE	1 2 3 4 5 6 7 8	
06A		00H04302181	CTO. NIVEL GASOLINA LIVELLO BENZINA SEND GAS LEVEL SENSOR ASSY.	KRAFTSTOFFSTAND ENSEMBLE FLOTTEUR ESSENCE	1 2 3 4 5 6 7 8	
07A		00F00400131	CTO. TAPON DEPTO. GASOLINA TAPPO SERBATOIO BENZINA FUEL TANK CAP	FUEL TANK CAP ENS.BOUCHON RESERV.ESSENCE V.B	1 2 3 4 5 6 7 8	
08A		00F00400771	R-ARANDELA TAPON DEPOSITO RONDELLA WASHER	SCHEIBE RONDELLE	1 2 3 4 5 6 7 8	
09A		00H00410011	DEPOSITO GASOLINA SERBATOIO BENZINA FUEL TANK	BENZINTANK RESERVOIR ESSENCE	1 2 3 4 5 6 7 8	

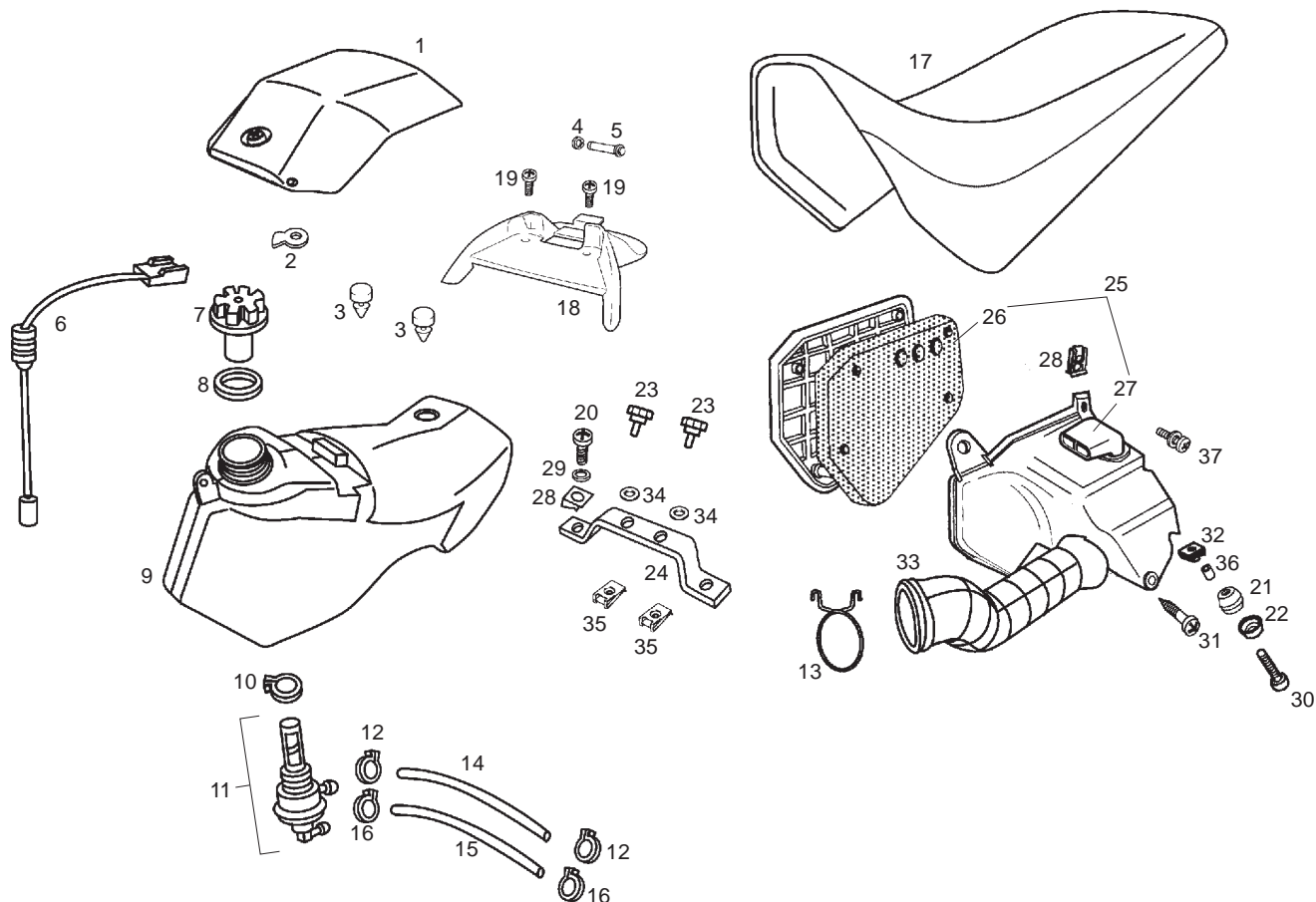


Fig.	Ver.	COD. KOD.	DESCRIPCIÓN DENOMINAZIONE NAME	BEZEICHUNG DESIGNATION	MOD.	NOTAS NOTES NOTA MITSCHRIFT NOTES
10A		00G00400501	ABRAZADERA FASCETTA CLAMP	FLANGE BRIDE	1234 5678	
11A		00G00400181	CTO. GRIFO GASOLINA RUBINETTO BENZINA FUEL COCK ASSY	KRAFTSTOFFHAHN UNTERDRUCK ENSEMBLE ROBINET ESSENCE	1234 5678	
12A		00D03700131	ABRAZADERA ELASTICA FASCETTA CLAMP	FLANGE BRIDE	1234 5678	
13A		00G03204272	MUELLE TUBO ADMISION MOLLA SPRING	FEDER RESSORT	1234 5678	
14A		00F00403321	TUBO GASOLINA TUBO TUBE	ROHR TUYAU	1234 5678	
15A		00H06201061	TUBO DEPRESION TUBO TUBE	ROHR TUYAU	1234 5678	
16A		00F03710131	ABRAZADERA ELASTICA FASCETTA CLAMP	FLANGE BRIDE	1234 5678	
17A		00H00625013	SILLIN COMP.SELLINO SEAT	SITZBANK SELLE	1	
17B		00H00625012	SILLIN COMP.SELLINO SEAT	SITZBANK SELLE	2 5 7	
17C		00H00625011	SILLIN COMP.SELLINO SEAT	SITZBANK SELLE	3 8	
17D		86248500WG2	SILLIN COMP.SELLINO SEAT	SITZBANK SELLE	4 6	

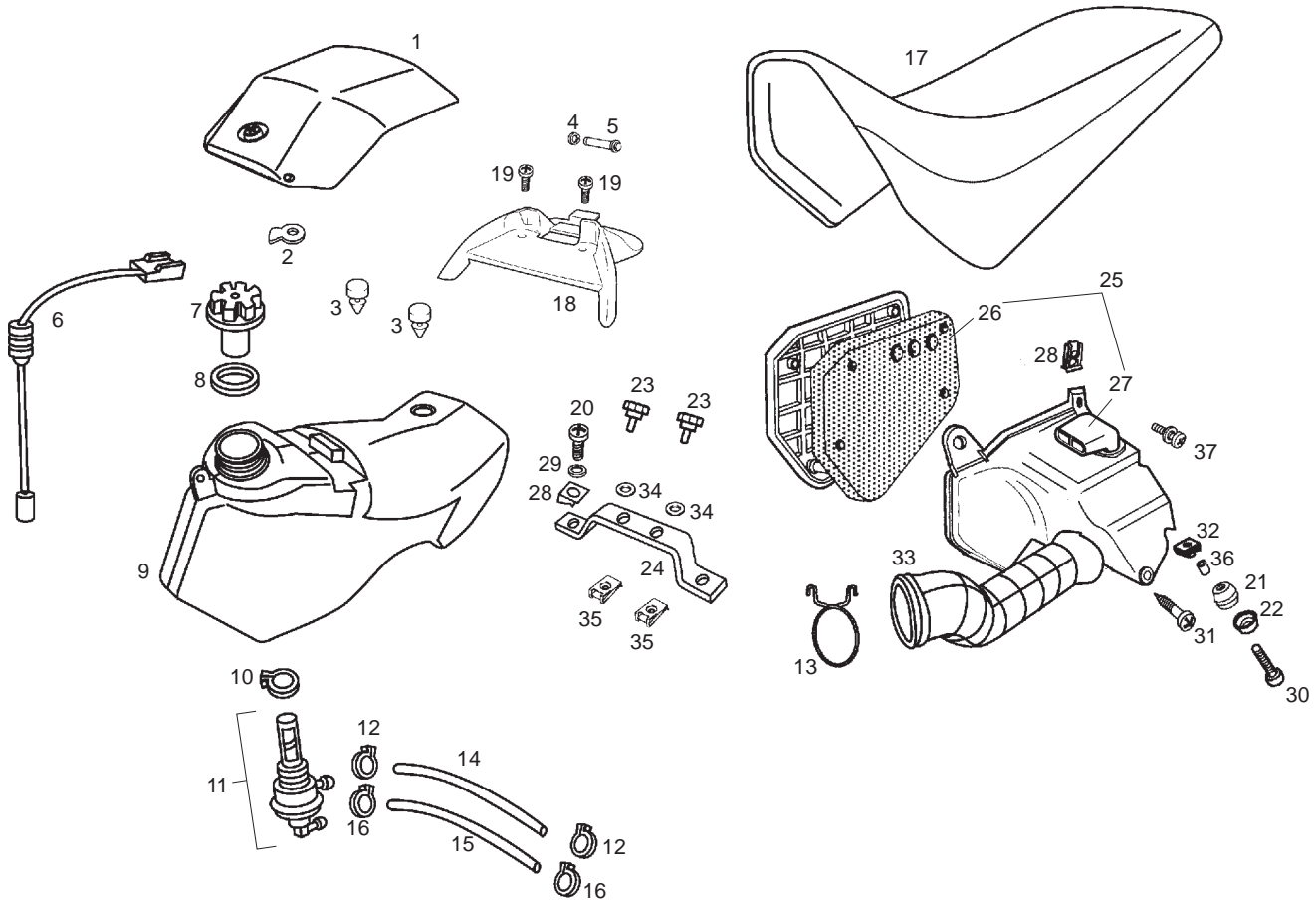


Fig.	Ver.	COD. KOD.	DESCRIPCIÓN DENOMINAZIONE NAME	BEZEICHNUNG DESIGNATION	MOD.	NOTAS NOTES NOTA MITSCHRIFT NOTES
18A		00H00606021	SUPLEMENTO BASE SILLIN SUPPLEMENTO SELLINO SEAT SUPPLEM.	ZUBEHOR SITZBANK SUPL.SELLE	1234 5678	
19A		00011051401	TORNILLO AUTOROSCANTE.5,1X14 VITE SCREW	SCHRAUBE VIS	1234 5678	
20A		00012061200	TORNILLO C/CRUZ 6M100X12 VITE SCREW	SCHRAUBE VIS	1234 5678	
21A		00008915020	PROTECCION CABLES PROTEZIONE CAVI RUBBER, CABLE PROTECTOR	GUMMI PASSE-CABLE	1234 5678	
22A		00D01500552	CAZOLETA SCADELLINO FISSAGGIO HOUSING	ABDECKSCHEIBE CUVETTE	1234 5678	
23A		865366	VOLANTE D20/M5X25 FIJ. SILLIN CHIUSURA SELLINO LOCKING ASSY	SCHOLSS ENSEMBLE SERRURE	1234 5678	
24A		00H00404051	PUENTE FIJACION DEPOSITO SUPPORTO INF. SERBATOIO LOWER FUEL TANK BRACKET	LOWER FUEL TANK BRACKET SUPPORT INFIRIEUR RISERVOIR ES	1234 5678	
25A		00H01809541	CTO CAJA FILTRO CASSA FILTRO AIR FILTER BOX	FILTERKASTEN ENSEMBLE BOITE FILTRE	1234 5678	
26A		00H03209251	ESPUMA FILTRO AIRE ESPANSO FILTRO ARIA AIR FILTER MESH	LUFTFILTERSCHAUM FILTRE AIR	1234 5678	
27A		00H03208491	TUBO ASPIRACION CAJA FILTRO TUBO TUBE	ROHR TUYAU	1234 5678	
28A		00D01501371	TUERCA FIJACION D6 DADO NUT	MUTTER ECROU	1234 5678	

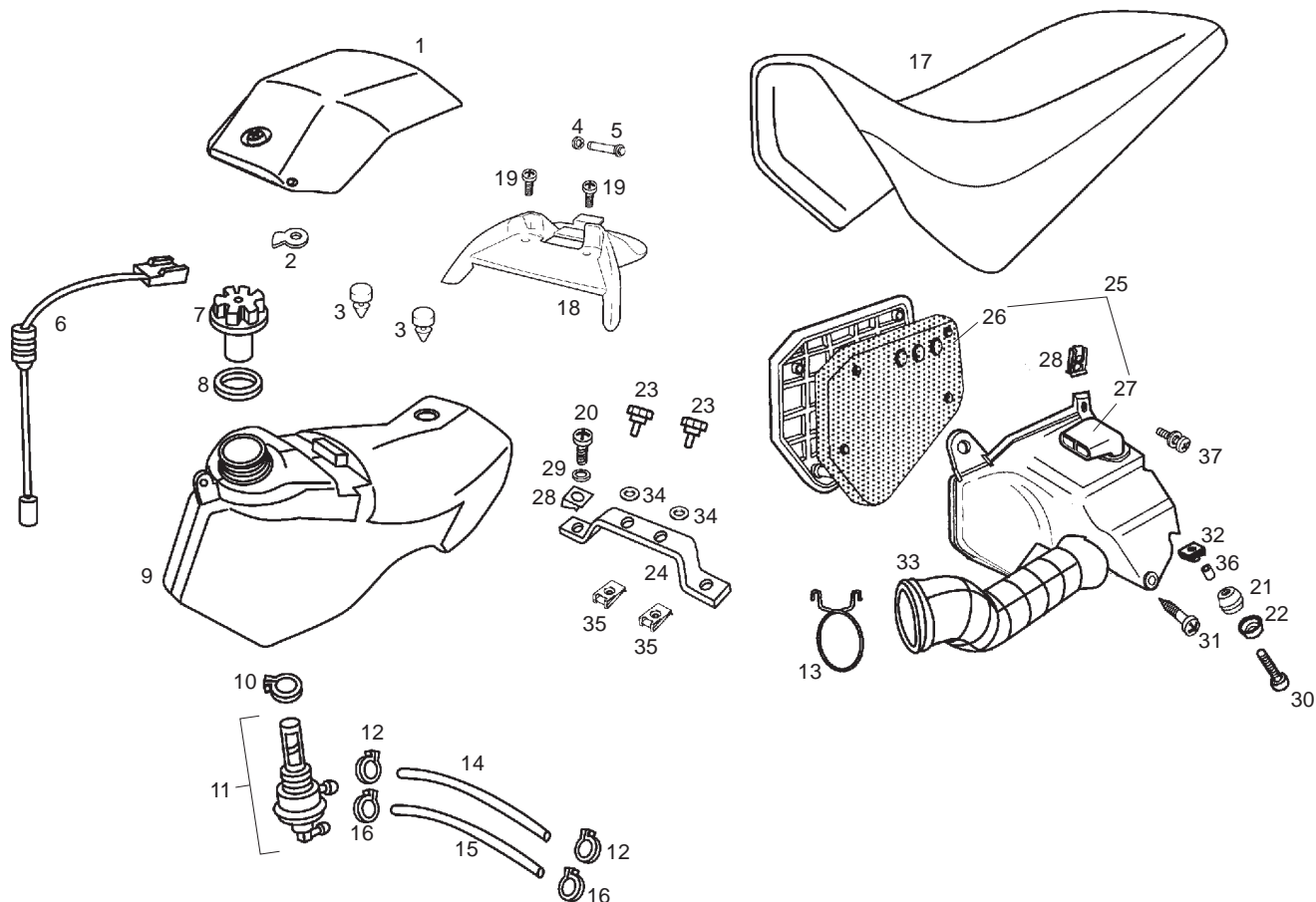
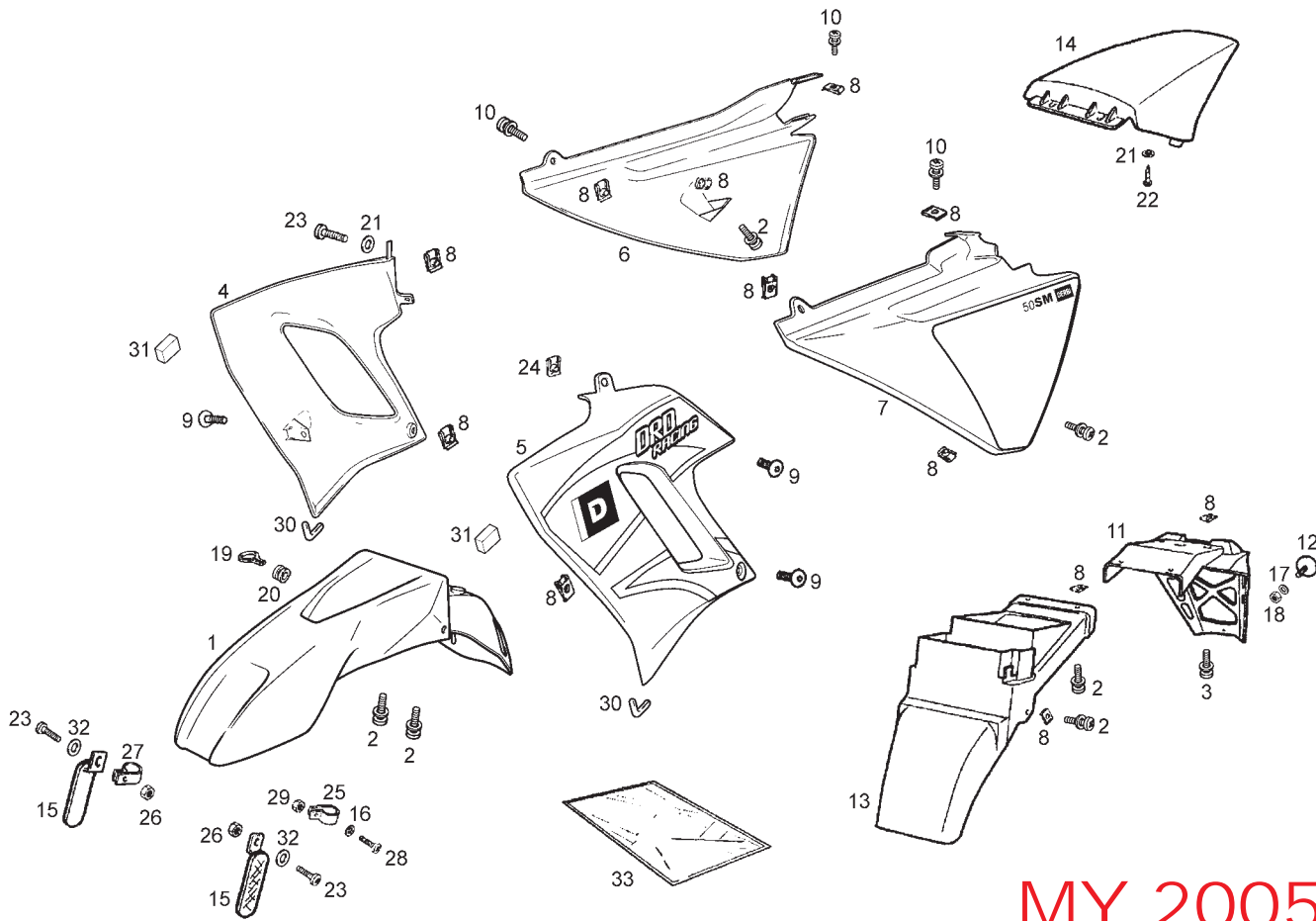


Fig.	Ver.	COD. KOD.	DESCRIPCIÓN DENOMINAZIONE NAME	BEZEICHNUNG DESIGNATION	MOD.	NOTAS NOTES NOTA MITSCHRIFT NOTES
29A		00D01200171	ARANDELA RONDELLA WASHER	SCHEIBE RONDELLE	1234 5678	
30A		00012161600	TORNILLO 6M100X16 VITE SCREW	SCHRAUBE VIS	1234 5678	
31A		00073481964	TORNILLO C/CRUZ 4,8X19 VITE SCREW	SCHRAUBE VIS	1234 5678	
32A		00D01501371	TUERCA FIJACION D6 DADO NUT	MUTTER ECROU	1234 5678	
33A		00H03207261	TUBO ADMISION TUBO TUBE	ROHR TUYAU	1234 5678	
34A		00D01200171	ARANDELA RONDELLA WASHER	SCHEIBE RONDELLE	1234 5678	UNTIL FRAME 8H406669
35A		00H01500691	TUERCA DADO NUT	MUTTER ECROU	1234 5678	
36A		00D01500471	CASQUILLO BRONZINA BUSHING	BUCHSE ENTRETOISE	1234 5678	
37A		00D05900081	SCTO.TORNILLO 6M100X16 VITE SCREW	SCHRAUBE VIS	1234 5678	

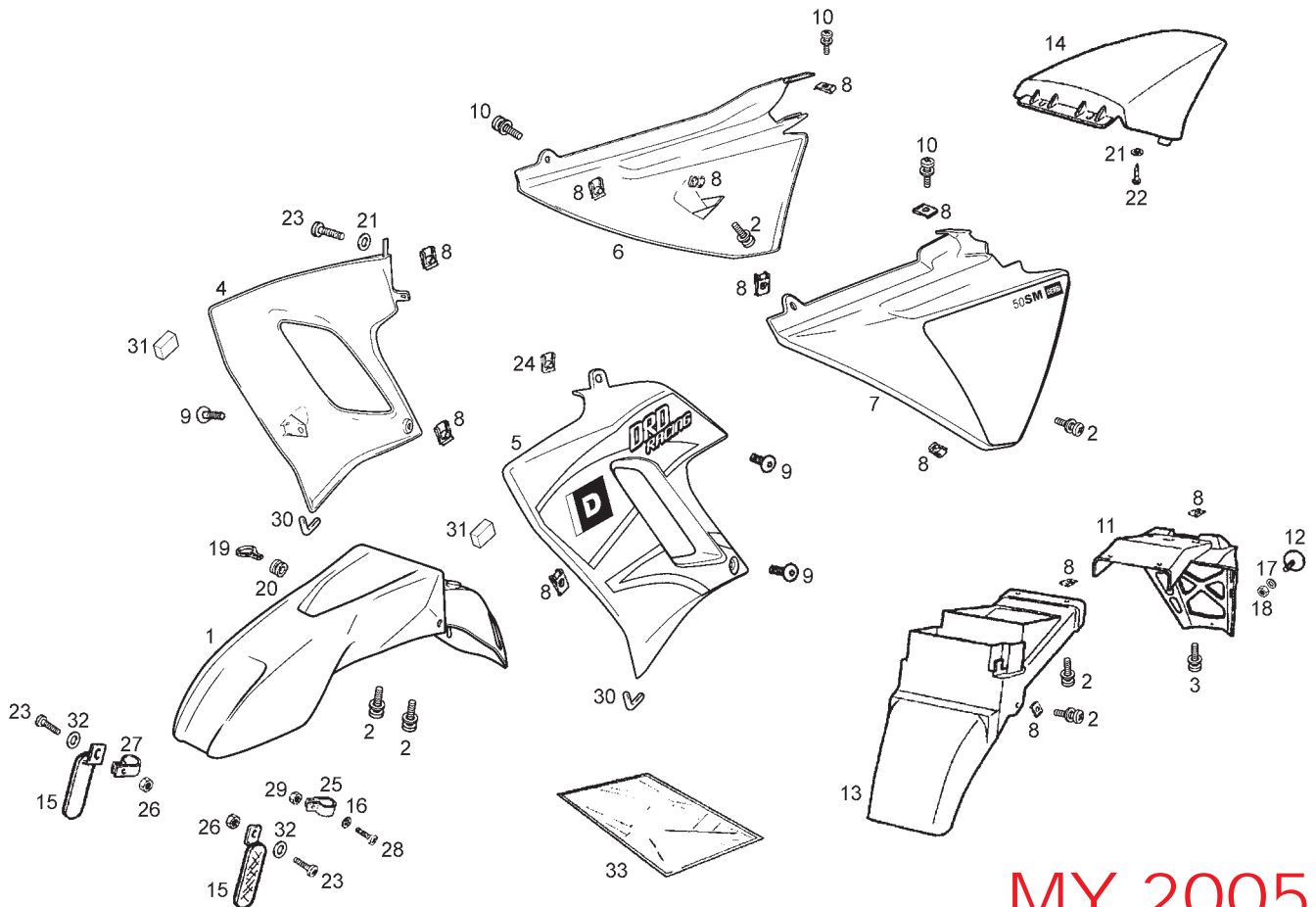


**PIEZAS CON CALCAS
PARTS WITH DECALS**

MY 2005

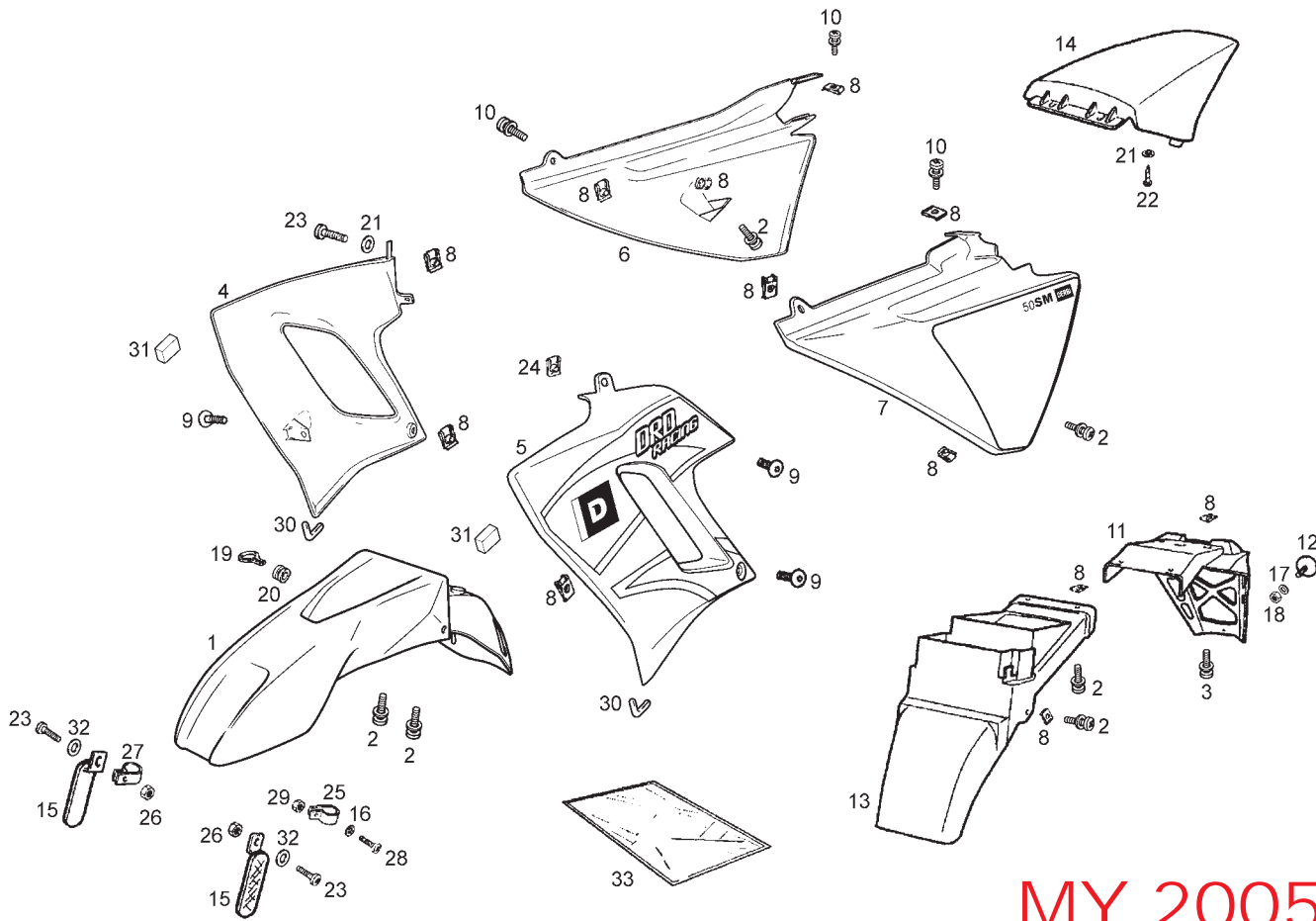
Fig.	Ver.	COD. KOD.	DESCRIPCIÓN DENOMINAZIONE NAME	BEZEICHNUNG DESIGNATION	MOD.	NOTAS NOTES NOTA MITSCHRIFT NOTES
01A		00H00722021	GUARDABARRO DELANTERO PARAFANGO ANTERIORE FRONT MUDGUARD ASSY	KOTFLUGEL VORN GARDE-BOUE AVANT RGE	1	
01B		00H00722023	GUARDABARRO DELANTERO PARAFANGO ANTERIORE FRONT MUDGUARD ASSY	KOTFLUGEL VORN GARDE-BOUE AVANT RGE	2	
01C		00H00722022	GUARDABARRO DELANTERO PARAFANGO ANTERIORE FRONT MUDGUARD ASSY	KOTFLUGEL VORN GARDE-BOUE AVANT RGE	3	
02A		00D05900081	SCTO.TORNILLO 6M100X16 VITE SCREW	SCHRAUBE VIS	1 2 3	
03A		00012061200	SCTO.TORNILLO 6M100X12 VITE SCREW	SCHRAUBE VIS	1 2 3	
04A		00H04415773	TAPA DELANTERA DERECHA COPERCHIO COVER	DECKEL COUVERCLE	1	
04B		00H04415772	TAPA DELANTERA DERECHA COPERCHIO COVER	DECKEL COUVERCLE	2	
04C		00H04415771	TAPA DELANTERA DERECHA COPERCHIO COVER	DECKEL COUVERCLE	3	
05A		00H04415783	TAPA DELANTERA IZQUIERDA COPERCHIO COVER	DECKEL COUVERCLE	1	
05B		00H04415782	TAPA DELANTERA IZQUIERDA COPERCHIO COVER	DECKEL COUVERCLE	2	
05C		00H04415781	TAPA DELANTERA IZQUIERDA COPERCHIO COVER	DECKEL COUVERCLE	3	

**PIEZAS CON CALCAS
PARTS WITH DECALS**



MY 2005

Fig.	Ver.	COD. KOD.	DESCRIPCIÓN DENOMINAZIONE NAME	BEZEICHUNG DESIGNATION	MOD.	NOTAS NOTES NOTA MITSCHRIFT NOTES
06A		00H00557692	TAPA LATERAL DERECHA COPERCHIO COVER	DECKEL COUVERCLE	123	
07A		00H00557702	TAPA LATERAL IZQUIERDA COPERCHIO COVER	DECKEL COUVERCLE	123	
08A		00D01501371	TUERCA FIJACION D6 DADO NUT	MUTTER ECROU	123	
09A		00H01501701	TORNILLO FIJACION VITE SCREW	SCHRAUBE VIS	123	
10A		00D05900081	SCTO.TORNILLO 6M100X16 VITE SCREW	SCHRAUBE VIS	123	
11A		00H00718341	SUPLEMENTO GUARD. TRASERO SUPPLEMENTO PARAFANGO POST. SUPPLEM. REAR FENDER	ZUBEHOR STAUBFANGER HINTEN SUPL. GARDE BOUE AR.	123	
12A		00K05110651	CAPTAFAROS TRASERO ROJO CATARIFRANGENTE REFLECTOR	TRAHLER CATADIOPTRE	123	
13A		00H00705121	GUARDABARROS TRASERO PARAFANGO POSTERIORE REAR MUDGUARD	KOTFLUGEL HINTEN GARDE BOUE ARRIERE	123	
14A		00H00620161	COLIN COLIN SELLINO SEAT BASE	KOTFLUGEL HINTEN DOSSERET SELLE	123	
15A		00H01802081	CAPTAFAROS CATARIFRANGENTE REFLECTOR	TRAHLER CATADIOPTRE	123	
16A		00402060001	ARANDELA M6 RONDELLA WASHER	SCHEIBE RONDELLE	123	

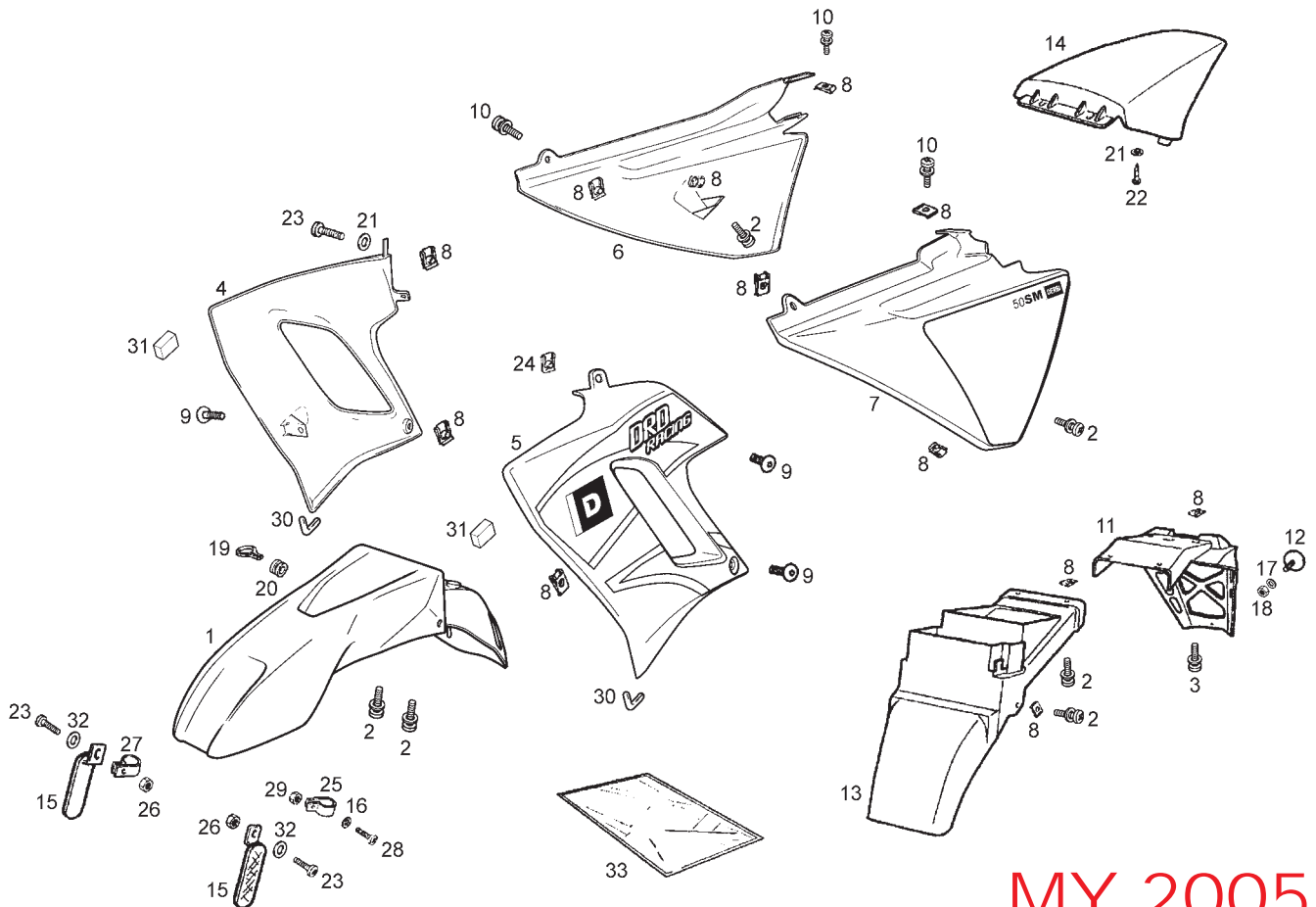


**PIEZAS CON CALCAS
PARTS WITH DECALS**

MY 2005

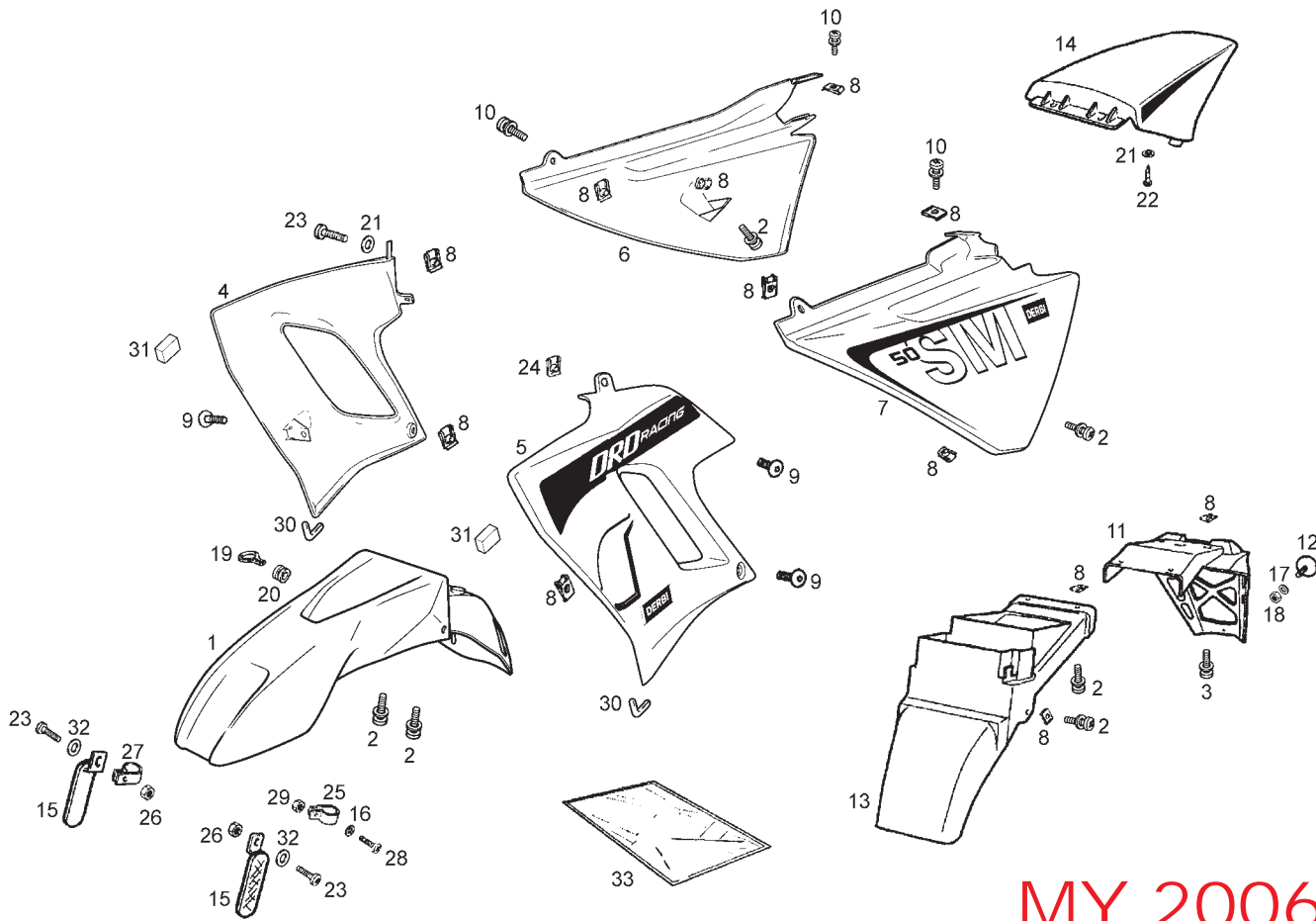
Fig.	Ver.	COD. KOD.	DESCRIPCIÓN DENOMINAZIONE NAME	BEZEICHUNG DESIGNATION	MOD.	NOTAS NOTES NOTA MITSCHRIFT NOTES
17A		00000031040	ARANDELA D4 RONDELLA WASHER	SCHEIBE RONDELLE	1 2 3	
18A		00000023040	TUERCA AUTOBLOCANTE D4 DADO NUT	MUTTER ECROU	1 2 3	
19A		00H02201591	GUIA CABLES FRENO GUIDA CAVI CABLE GUIAE	HALTER F. BEF. BREMSSCHLAU SOUS-EN.SUP.FIX.TUYAU FREIN	1 2 3	
20A		00D01500021	PASACABLE S PORTACAVI GROMMET	GUMMI PASSE-CABLE	1 2 3	
21A		00000031050	ARANDELA D5 RONDELLA WASHER	SCHEIBE RONDELLE	1 2 3	
22A		00011051401	TORNILLO AUTOROSCANTE.5,1X14 VITE SCREW	SCHRAUBE VIS	1 2 3	
23A		00012152000	TORNILLO 5M80X20 VITE SCREW	SCHRAUBE VIS	1 2 3	
24A		00G04401462	TUERCA FIJACION D5 DADO NUT	MUTTER ECROU	1 2 3	
25A		00H01501811	BRIDA BRIGLIA BRIDLE	ZÜGEL BRIDE	1 2 3	
26A		00000023051	TUERCA AUTOBLOCANTE 5M80 DADO NUT	MUTTER ECROU	1 2 3	
27A		00H01501811	BRIDA BRIGLIA BRIDLE	ZÜGEL BRIDE	1 2 3	

**PIEZAS CON CALCAS
PARTS WITH DECALS**



MY 2005

Fig.	Ver.	COD. KOD.	DESCRIPCIÓN DENOMINAZIONE NAME	BEZEICHUNG DESIGNATION	MOD.	NOTAS NOTES NOTA MITSCHRIFT NOTES
28A		00002062511	TORNILLO C/ALLEN 6M100X25 VITE SCREW	SCHRAUBE VIS	1 2 3	
29A		00000023060	TUERCA AUTOBLOC. 6M100 DADO NUT	MUTTER ECROU	1 2 3	
30A		00H00502901	PERFIL TAPA DT.DR.DRD RACING PROTEZIONE RUBBER PROTECTOR	GUMMI PROTECTEUR	1 2 3	
31A		00H06300771	TOPE FERMO STOPPER	ANSCHLAG BUTEE	1 2 3	
32A		00031105000	ARANDELA RONDELLA WASHER	SCHEIBE RONDELLE	1 2 3	
33A		00H05159653	JUEGO CALCAS DRD RACING NEGRO'05 COMPL.ADESIVI DECALS ASSY	AUFKLEBERSATZ JEU ADHESIF	1	
33B		00H05159652	JUEGO CALCAS DRD RACING ROJO'05 COMPL.ADESIVI DECALS ASSY	AUFKLEBERSATZ JEU ADHESIF	2	
33C		00H05159651	JUEGO CALCAS DRD RACING AZUL'05 COMPL.ADESIVI DECALS ASSY	AUFKLEBERSATZ JEU ADHESIF	3	

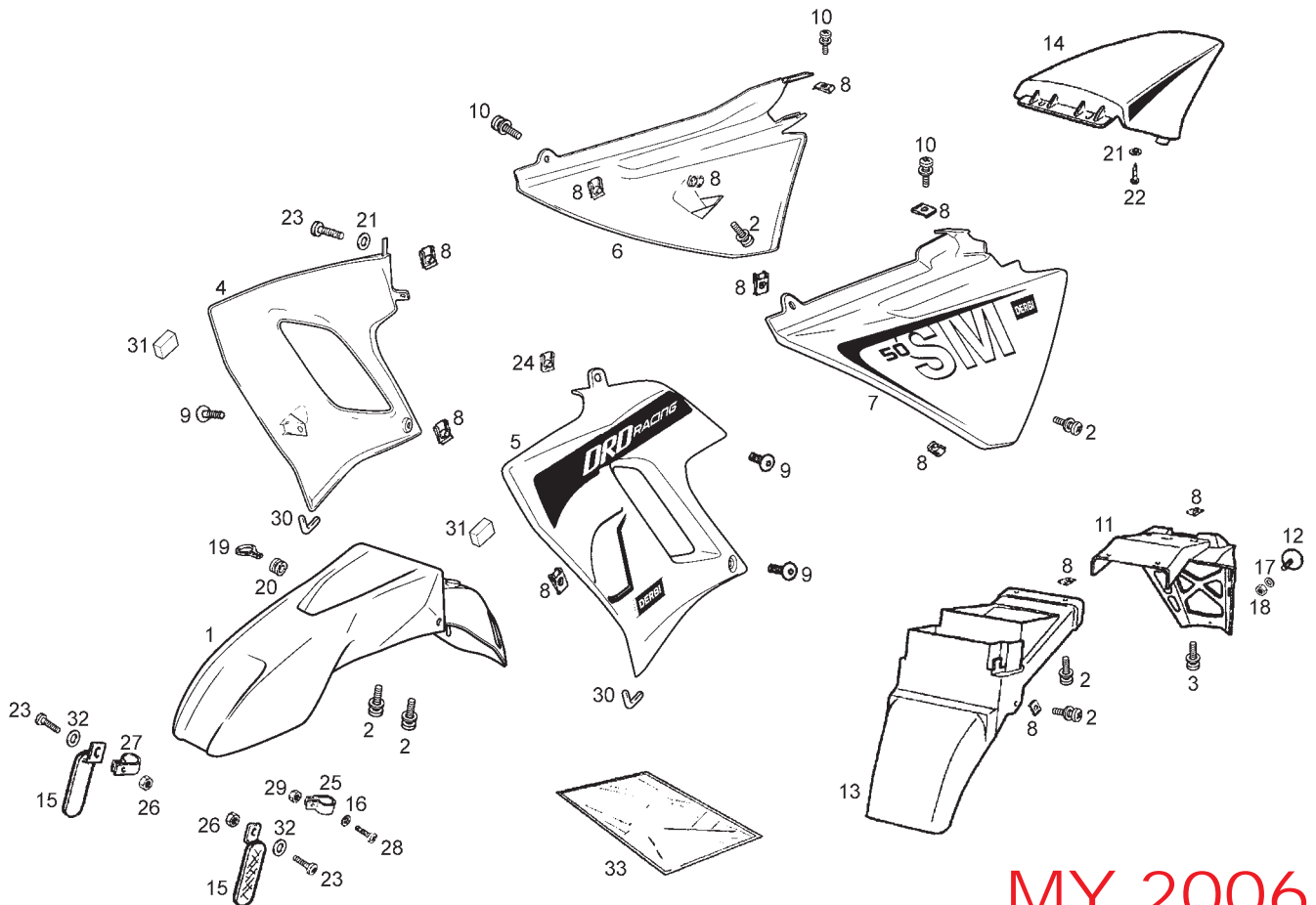


**PIEZAS CON CALCAS
PARTS WITH DECALS**

MY 2006

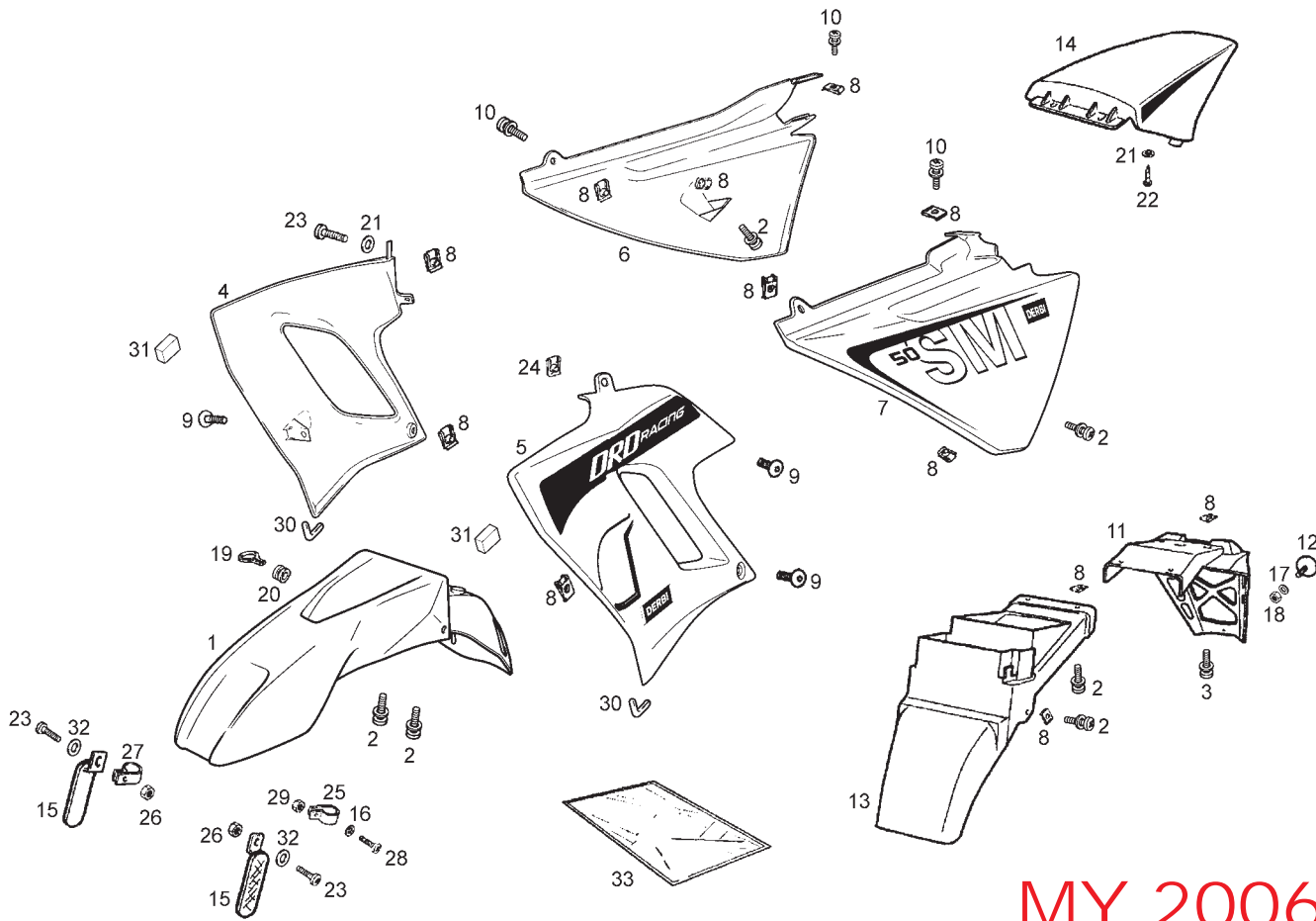
Fig.	Ver.	COD. KOD.	DESCRIPCIÓN DENOMINAZIONE NAME	BEZEICHUNG DESIGNATION	MOD.	NOTAS NOTES NOTA MITSCHRIFT NOTES
01A		00H00722021	GUARDABARRO DELANTERO PARAFANGO ANTERIORE FRONT MUDGUARD ASSY	KOTFLUGEL VORN GARDE-BOUE AVANT RGE	4 5	
01B		00H00722022	GUARDABARRO DELANTERO PARAFANGO ANTERIORE FRONT MUDGUARD ASSY	KOTFLUGEL VORN GARDE-BOUE AVANT RGE	6	
02A		00D05900081	SCTO.TORNILLO 6M100X16 VITE SCREW	SCHRAUBE VIS	4 56	
03A		00012061200	SCTO.TORNILLO 6M100X12 VITE SCREW	SCHRAUBE VIS	4 56	
04A		86247400WN0	TAPA DELANTERA DERECHA COPERCHIO COVER	DECKEL COUVERCLE	4	
04B		86247400WB1	TAPA DELANTERA DERECHA COPERCHIO COVER	DECKEL COUVERCLE	5	
04C		86247400WA3	TAPA DELANTERA DERECHA COPERCHIO COVER	DECKEL COUVERCLE	6	
05A		86247500WN0	TAPA DELANTERA IZQUIERDA COPERCHIO COVER	DECKEL COUVERCLE	4	
05B		86247500WB1	TAPA DELANTERA IZQUIERDA COPERCHIO COVER	DECKEL COUVERCLE	5	
05C		86247500WA3	TAPA DELANTERA IZQUIERDA COPERCHIO COVER	DECKEL COUVERCLE	6	
06A		86247800WN0	TAPA LATERAL DERECHA COPERCHIO COVER	DECKEL COUVERCLE	4 56	

**PIEZAS CON CALCAS
PARTS WITH DECALS**



MY 2006

Fig.	Ver.	COD. KOD.	DESCRIPCIÓN DENOMINAZIONE NAME	BEZEICHNUNG DESIGNATION	MOD.	NOTAS NOTES NOTA MITSCHRIFT NOTES
07A		86247900WN0	TAPA LATERAL IZQUIERDA COPERCHIO COVER	DECKEL COUVERCLE	4 56	
08A		00D01501371	TUERCA FIJACION D6 DADO NUT	MUTTER ECROU	4 56	
09A		00H01501701	TORNILLO FIJACION VITE SCREW	SCHRAUBE VIS	4 56	
10A		00D05900081	SCTO.TORNILLO 6M100X16 VITE SCREW	SCHRAUBE VIS	4 56	
11A		00H00718341	SUPLEMENTO GUARD. TRASERO SUPPLEMENTO PARAFANGO POST. SUPPLEM. REAR FENDER	ZUBEHOR STAUBFANGER HINTEN SUPL. GARDE BOUE AR.	4 56	
12A		00K05110651	CAPTAFAROS TRASERO ROJO CATARIFRANGENTE REFLECTOR	TRAHLER CATADIOPTRE	4 56	
13A		00H00705121	GUARDABARROS TRASERO PARAFANGO POSTERIORE REAR MUDGUARD	KOTFLUGEL HINTEN GARDE BOUE ARRIERE	4 56	
14A		86248200WN0	COLIN COLIN SELLINO SEAT BASE	KOTFLUGEL HINTEN DOSSERET SELLE	4 6	
14B		86248100WN0	COLIN COLIN SELLINO SEAT BASE	KOTFLUGEL HINTEN DOSSERET SELLE	5	
15A		00H01802081	CAPTAFAROS CATARIFRANGENTE REFLECTOR	TRAHLER CATADIOPTRE	4 56	
16A		00402060001	ARANDELA M6 RONDELLA WASHER	SCHEIBE RONDELLE	4 56	

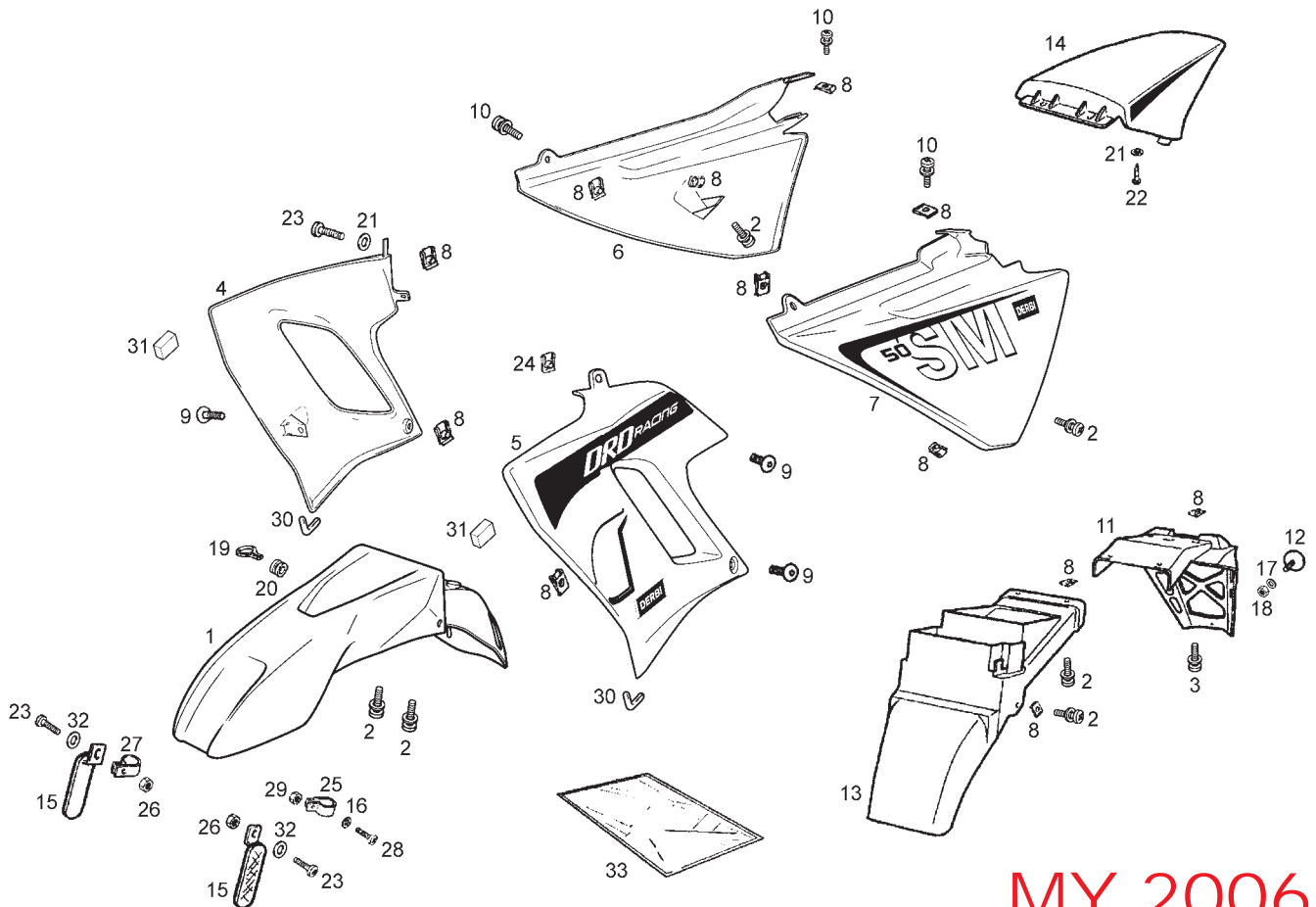


**PIEZAS CON CALCAS
PARTS WITH DECALS**

MY 2006

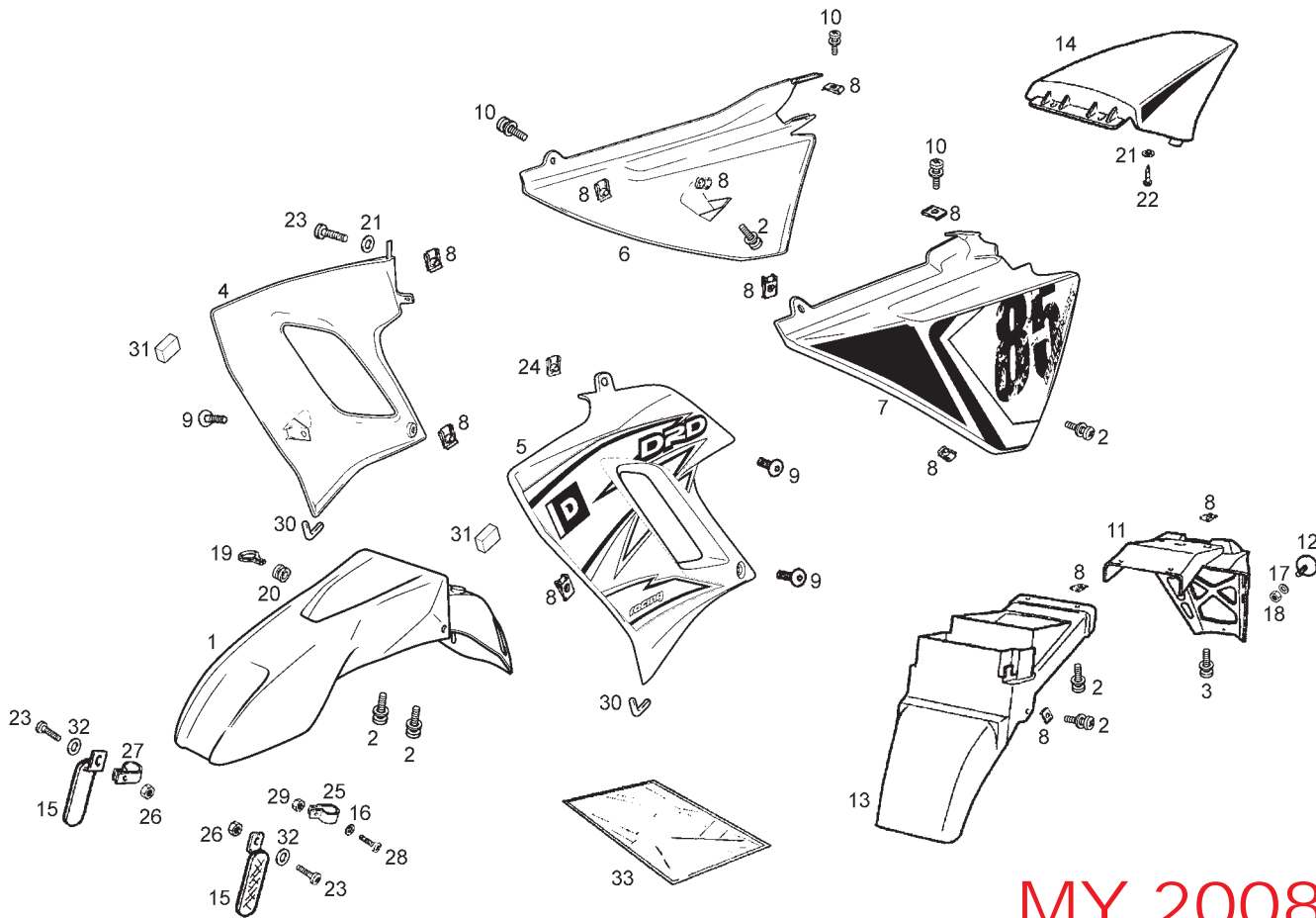
Fig.	Ver.	COD. KOD.	DESCRIPCIÓN DENOMINAZIONE NAME	BEZEICHNUNG DESIGNATION	MOD.	NOTAS NOTES NOTA MITSCHRIFT NOTES
17A		00000031040	ARANDELA D4 RONDELLA WASHER	SCHEIBE RONDELLE	4 56	
18A		00000023040	TUERCA AUTOBLOCANTE D4 DADO NUT	MUTTER ECROU	4 56	
19A		00H02201591	GUIA CABLES FRENO GUIDA CAVI CABLE GUIAE	HALTER F. BEF. BREMSSCHLAU SOUS-EN.SUP.FIX.TUYAU FREIN	4 56	
20A		00D01500021	PASACABLE S PORTACAVI GROMMET	GUMMI PASSE-CABLE	4 56	
21A		00000031050	ARANDELA D5 RONDELLA WASHER	SCHEIBE RONDELLE	4 56	
22A		00011051401	TORNILLO AUTOROSCANTE.5,1X14 VITE SCREW	SCHRAUBE VIS	4 56	
23A		00012152000	TORNILLO 5M80X20 VITE SCREW	SCHRAUBE VIS	4 56	
24A		00G04401462	TUERCA FIJACION D5 DADO NUT	MUTTER ECROU	4 56	
25A		00H01501811	BRIDA BRIGLIA BRIDLE	ZÜGEL BRIDE	4 56	
26A		00000023051	TUERCA AUTOBLOCANTE 5M80 DADO NUT	MUTTER ECROU	4 56	
27A		00H01501811	BRIDA BRIGLIA BRIDLE	ZÜGEL BRIDE	4 56	

**PIEZAS CON CALCAS
PARTS WITH DECALS**



MY 2006

Fig.	Ver.	COD. KOD.	DESCRIPCIÓN DENOMINAZIONE NAME	BEZEICHNUNG DESIGNATION	MOD.	NOTAS NOTES NOTA MITSCHRIFT NOTES
28A		00002062511	TORNILLO C/ALLEN 6M100X25 VITE SCREW	SCHRAUBE VIS	4 56	
29A		00000023060	TUERCA AUTOBLOC. 6M100 DADO NUT	MUTTER ECROU	4 56	
30A		00H00502901	PERFIL TAPA DT.DR.DRD RACING PROTEZIONE RUBBER PROTECTOR	GUMMI PROTECTEUR	4 56	
31A		00H06300771	TOPE FERMO STOPPER	ANSCHLAG BUTEE	4 56	
32A		00031105000	ARANDELA RONDELLA WASHER	SCHEIBE RONDELLE	4 56	
33A		86248400WN0	JUEGO CALCAS SM DRD RACING NG'06 COMPL.ADESIVI DECALS ASSY	AUFKLEBERSATZ JEU ADHESIF	4	
33B		86248400WB1	JUEGO CALCAS SM DRD RACING BL'06 COMPL.ADESIVI DECALS ASSY	AUFKLEBERSATZ JEU ADHESIF	5	
33C		86248400WA3	JUEGO CALCAS SM DRD RACING AZ'06 COMPL.ADESIVI DECALS ASSY	AUFKLEBERSATZ JEU ADHESIF	6	

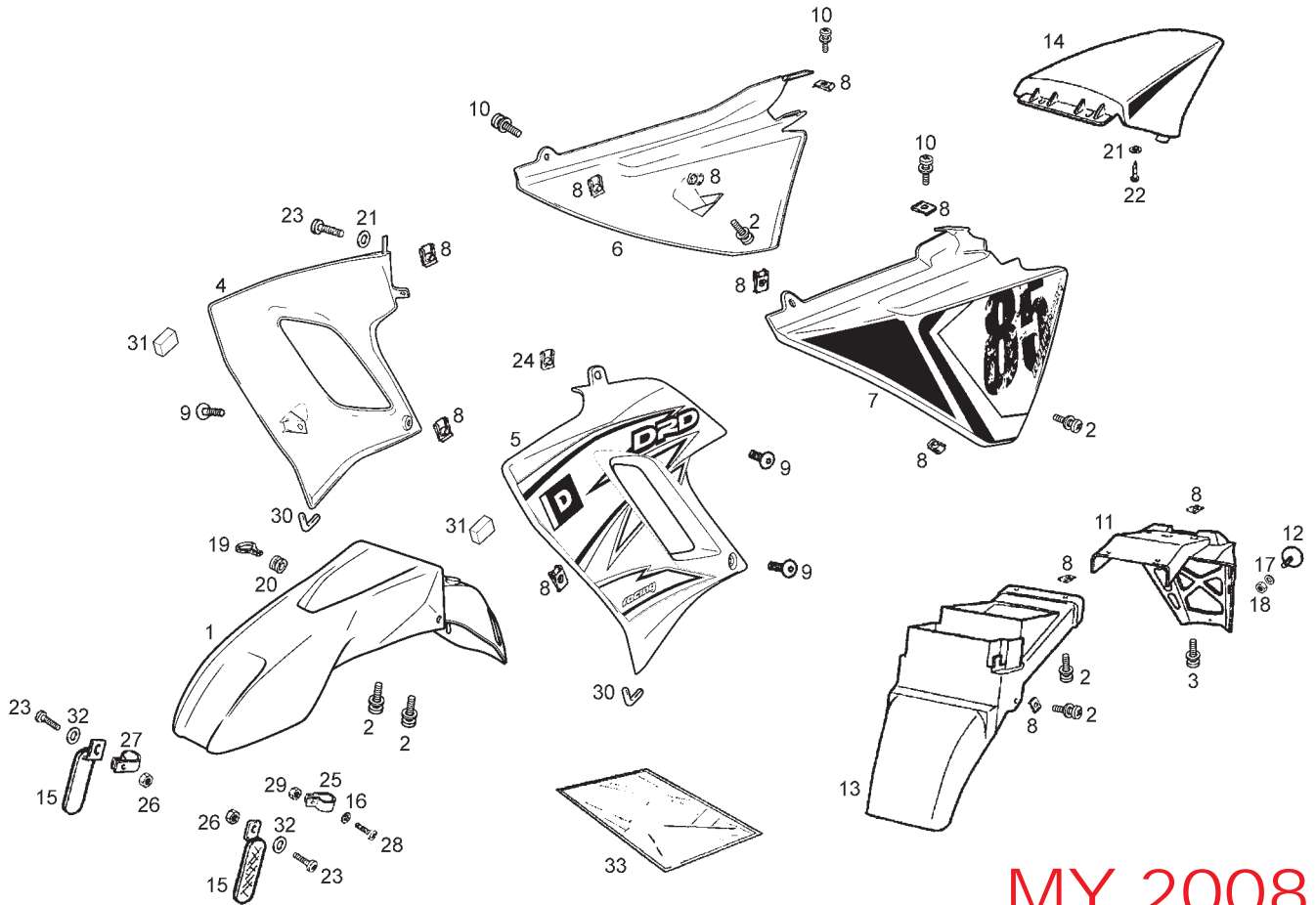


**PIEZAS CON CALCAS
PARTS WITH DECALS**

MY 2008

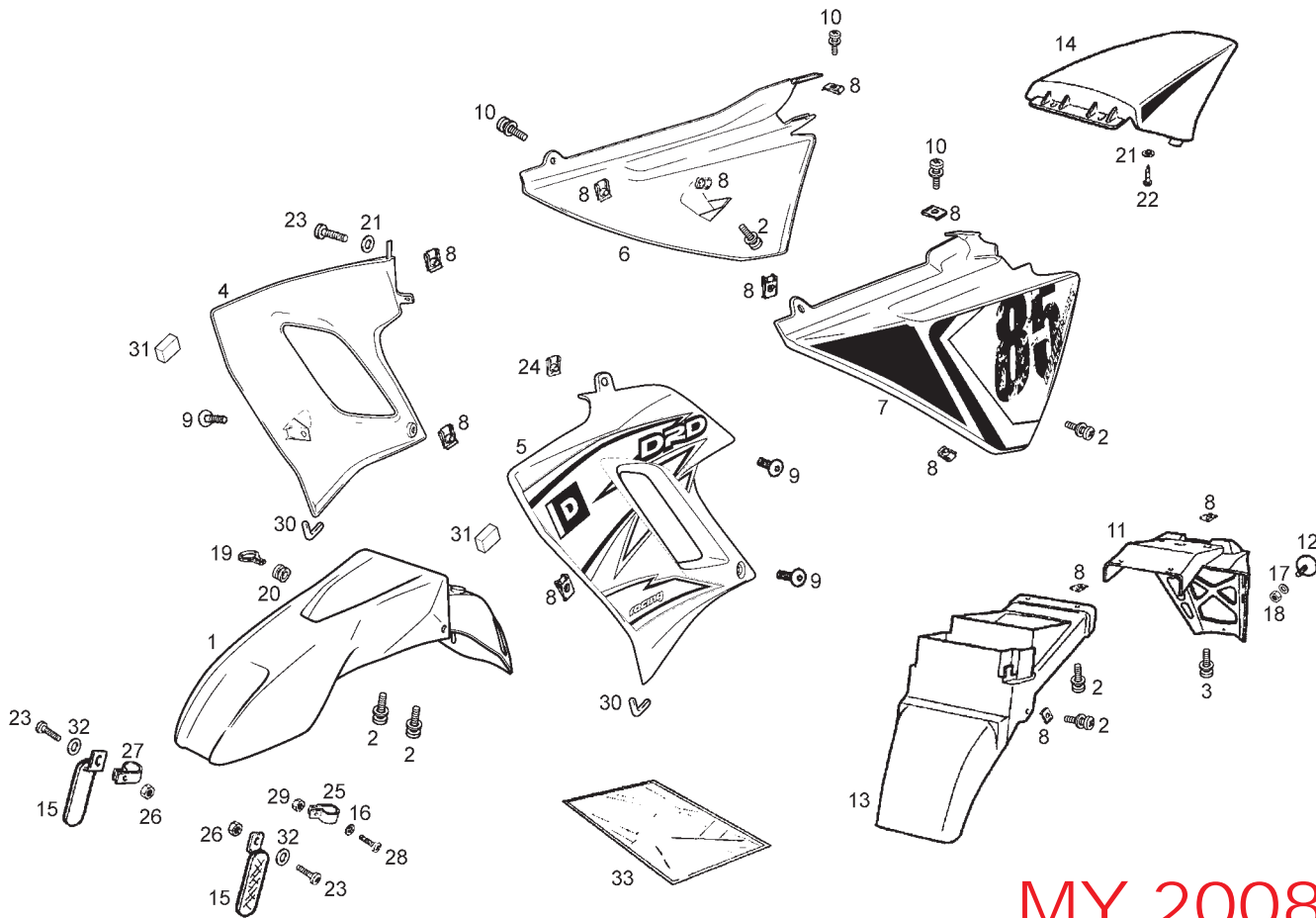
Fig.	Ver.	COD. KOD.	DESCRIPCIÓN DENOMINAZIONE NAME	BEZEICHNUNG DESIGNATION	MOD.	NOTAS NOTES NOTA MITSCHRIFT NOTES
01A		00H00722023	GUARDABARRO DELANTERO PARAFANGO ANTERIORE FRONT MUDGUARD ASSY	KOTFLUGEL VORN GARDE-BOUE AVANT RGE	7	
01B		00H00722022	GUARDABARRO DELANTERO PARAFANGO ANTERIORE FRONT MUDGUARD ASSY	KOTFLUGEL VORN GARDE-BOUE AVANT RGE	8	
02A		00D05900081	SCTO.TORNILLO 6M100X16 VITE SCREW	SCHRAUBE VIS	78	
03A		00012061200	SCTO.TORNILLO 6M100X12 VITE SCREW	SCHRAUBE VIS	78	
04A		86467300WN0	TAPA DELANTERA DERECHA COPERCHIO COVER	DECKEL COUVERCLE	7	
04B		86468600WB1	TAPA DELANTERA DERECHA COPERCHIO COVER	DECKEL COUVERCLE	8	
05A		86467600WN0	TAPA DELANTERA IZQUIERDA COPERCHIO COVER	DECKEL COUVERCLE	7	
05B		86468800WB1	TAPA DELANTERA IZQUIERDA COPERCHIO COVER	DECKEL COUVERCLE	8	
06A		86466900WN0	TAPA LATERAL DERECHA COPERCHIO COVER	DECKEL COUVERCLE	7	
06B		86466901WN0	TAPA LATERAL DERECHA COPERCHIO COVER	DECKEL COUVERCLE	8	
07A		86467100WN0	TAPA LATERAL IZQUIERDA COPERCHIO COVER	DECKEL COUVERCLE	7	

**PIEZAS CON CALCAS
PARTS WITH DECALS**



MY 2008

Fig.	Ver.	COD. KOD.	DESCRIPCIÓN DENOMINAZIONE NAME	BEZEICHNUNG DESIGNATION	MOD.	NOTAS NOTES NOTA MITSCHRIFT NOTES
07B		86467101WN0	TAPA LATERAL IZQUIERDA COPERCHIO COVER	DECKEL COUVERCLE	8	
08A		00D01501371	TUERCA FIJACION D6 DADO NUT	MUTTER ECROU	78	
09A		00H01501701	TORNILLO FIJACION VITE SCREW	SCHRAUBE VIS	78	
10A		00D05900081	SCTO.TORNILLO 6M100X16 VITE SCREW	SCHRAUBE VIS	78	
11A		00H00718341	SUPLEMENTO GUARD. TRASERO SUPPLEMENTO PARAFANGO POST. SUPPLEM. REAR FENDER	ZUBEHOR STAUBFANGER HINTEN SUPL. GARDE BOUE AR.	78	
12A		00K05110651	CAPTAFAROS TRASERO ROJO CATARIFRANGENTE REFLECTOR	TRAHLER CATADIOPTRE	78	
13A		00H00705121	GUARDABARROS TRASERO PARAFANGO POSTERIORE REAR MUDGUARD	KOTFLUGEL HINTEN GARDE BOUE ARRIERE	78	
14A		86466600WN0	COLIN COLIN SELLINO SEAT BASE	KOTFLUGEL HINTEN DOSSERET SELLE	7	
14B		86466601WN0	COLIN COLIN SELLINO SEAT BASE	KOTFLUGEL HINTEN DOSSERET SELLE	8	
15A		00H01802081	CAPTAFAROS CATARIFRANGENTE REFLECTOR	TRAHLER CATADIOPTRE	78	
16A		00402060001	ARANDELA M6 RONDELLA WASHER	SCHEIBE RONDELLE	78	

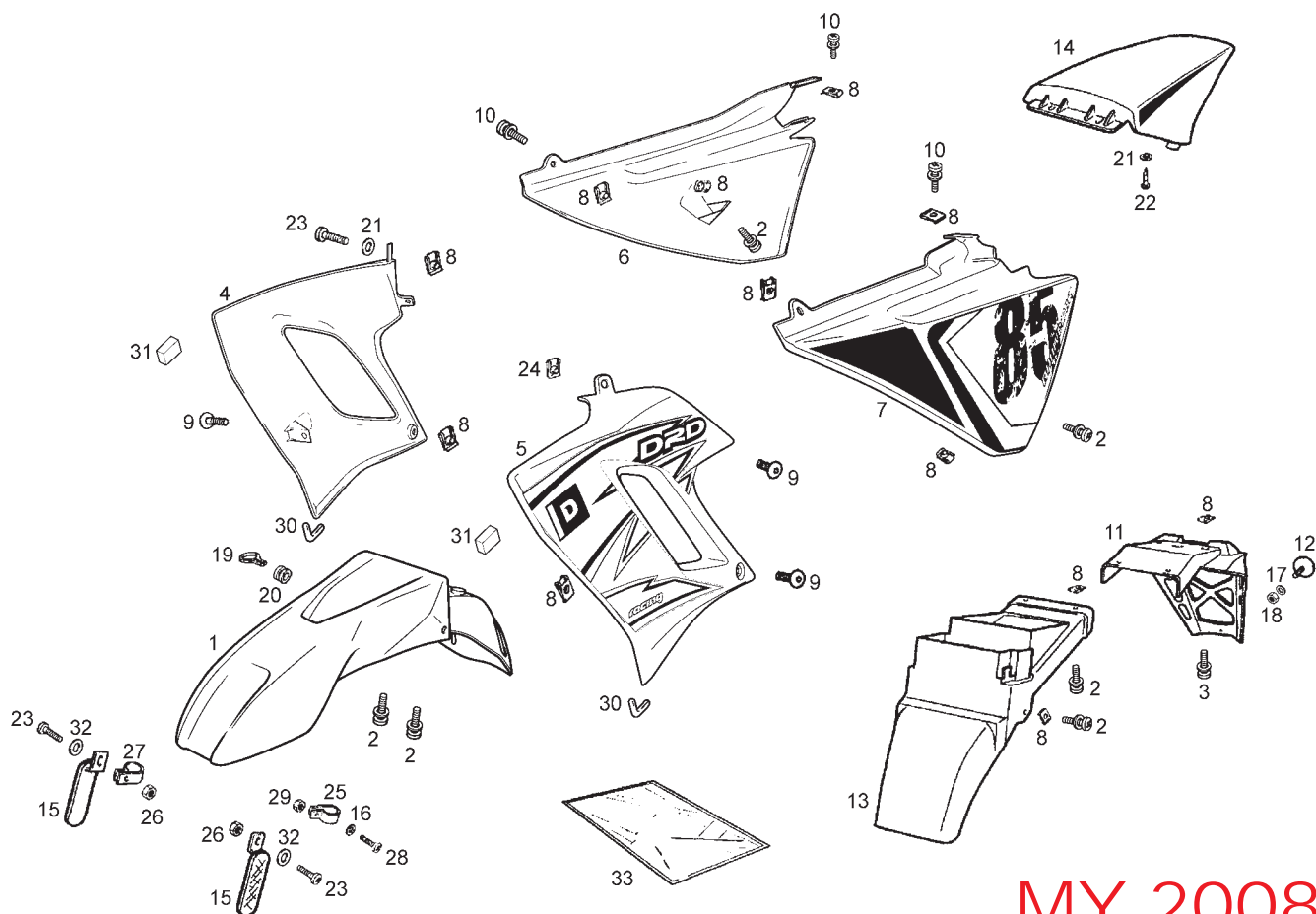


**PIEZAS CON CALCAS
PARTS WITH DECALS**

MY 2008

Fig.	Ver.	COD. KOD.	DESCRIPCIÓN DENOMINAZIONE NAME	BEZEICHNUNG DESIGNATION	MOD.	NOTAS NOTES NOTA MITSCHRIFT NOTES
17A		00000031040	ARANDELA D4 RONDELLA WASHER	SCHEIBE RONDELLE	78	
18A		00000023040	TUERCA AUTOBLOCANTE D4 DADO NUT	MUTTER ECROU	78	
19A		00H02201591	GUIA CABLES FRENO GUIDA CAVI CABLE GUIAE	HALTER F. BEF. BREMSSCHLAU SOUS-EN.SUP.FIX.TUYAU FREIN	78	
20A		00D01500021	PASACABLE S PORTACAVI GROMMET	GUMMI PASSE-CABLE	78	
21A		00000031050	ARANDELA D5 RONDELLA WASHER	SCHEIBE RONDELLE	78	
22A		00011051401	TORNILLO AUTOROSCANTE.5,1X14 VITE SCREW	SCHRAUBE VIS	78	
23A		00012152000	TORNILLO 5M80X20 VITE SCREW	SCHRAUBE VIS	78	
24A		00G04401462	TUERCA FIJACION D5 DADO NUT	MUTTER ECROU	78	
25A		00H01501811	BRIDA BRIGLIA BRIDLE	ZÜGEL BRIDE	78	
26A		00000023051	TUERCA AUTOBLOCANTE 5M80 DADO NUT	MUTTER ECROU	78	
27A		00H01501811	BRIDA BRIGLIA BRIDLE	ZÜGEL BRIDE	78	

**PIEZAS CON CALCAS
PARTS WITH DECALS**



MY 2008

Fig.	Ver.	COD. KOD.	DESCRIPCIÓN DENOMINAZIONE NAME	BEZEICHUNG DESIGNATION	MOD.	NOTAS NOTES NOTA MITSCHRIFT NOTES
28A		00002062511	TORNILLO C/ALLEN 6M100X25 VITE SCREW	SCHRAUBE VIS	78	
29A		00000023060	TUERCA AUTOBLOC. 6M100 DADO NUT	MUTTER ECROU	78	
30A		00H00502901	PERFIL TAPA DT.DR.DRD RACING PROTEZIONE RUBBER PROTECTOR	GUMMI PROTECTEUR	78	
31A		00H06300771	TOPE FERMO STOPPER	ANSCHLAG BUTEE	78	
32A		00031105000	ARANDELA RONDELLA WASHER	SCHEIBE RONDELLE	78	
33A		864944	JUEGO CALCAS SM NEGRO'08 COMPL.ADESIVI DECALS ASSY	AUFKLEBERSATZ JEU ADHESIF	7	
33B		864945	JUEGO CALCAS SM BLANCA'08 COMPL.ADESIVI DECALS ASSY	AUFKLEBERSATZ JEU ADHESIF	8	

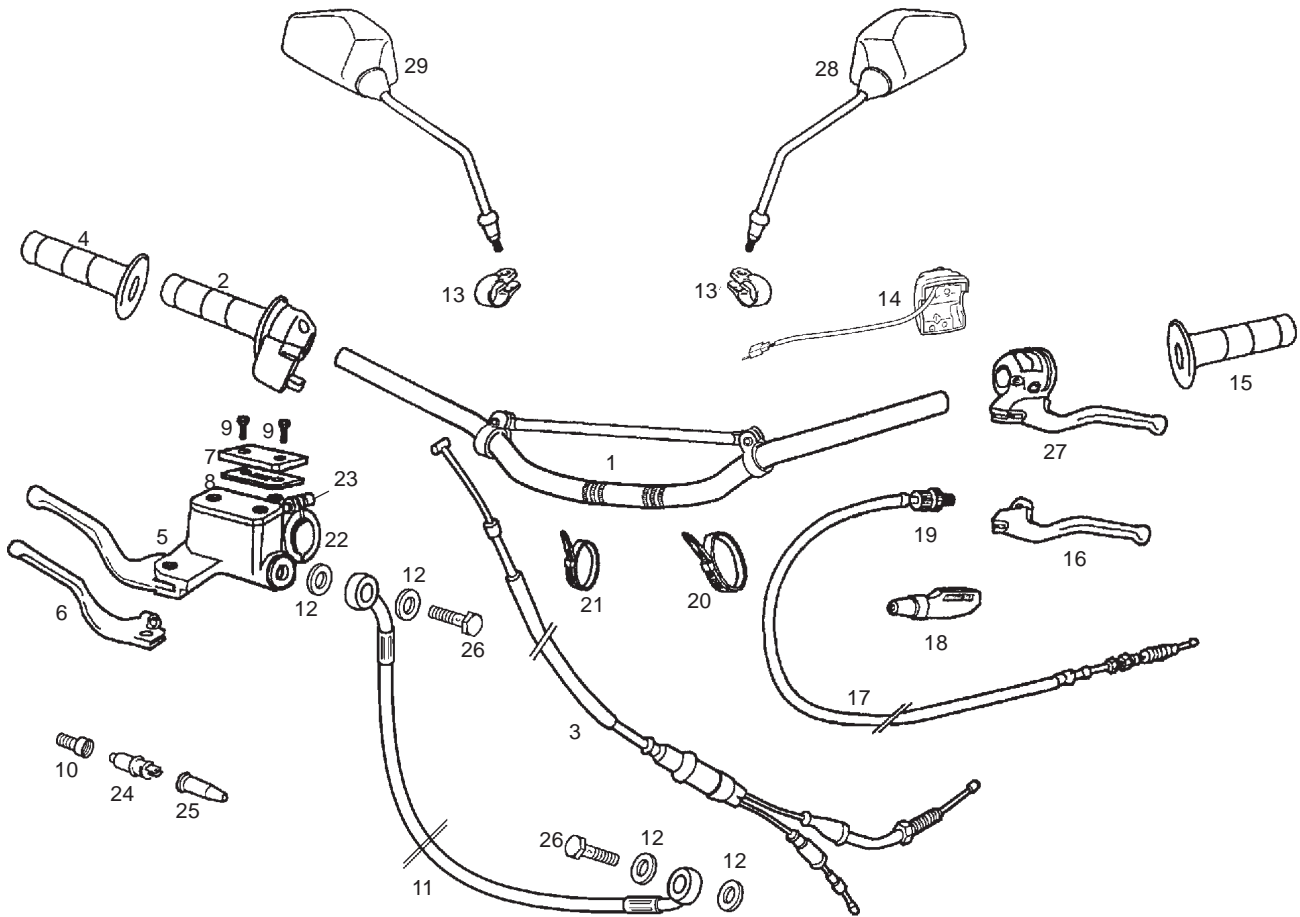


Fig.	Ver.	COD. KOD.	DESCRIPCIÓN DENOMINAZIONE NAME	BEZEICHUNG DESIGNATION	MOD.	NOTAS NOTES NOTA MITSCHRIFT NOTES
01A		00H00906013	MANILLAR MANUBRIO HANDLEBAR ASSY	LENKER GUIDON	1234 568	
01B		00H00906012	MANILLAR MANUBRIO HANDLEBAR ASSY	LENKER GUIDON	7	
02A		00H02101621	CTO. PUÑO GAS MANOPOLA ACCELERATOR THROTTLE GRIP ASSEMBLY	GASGRIFF POIGNE	1234 5678	
03A		00H00931171	CTO. CABLE-FUNDA GAS CAVO-FODERO ACCELERATOR THROTTLE CABLE	GASKABEL GAINE ET CABLE DE GAZ	1234 5678	
04A		00H00930091	R-EMPUÑADURA GAS R-MANOPOLA GRIP, THROTTLE	GRIFF CAOUT.DE PIGNEE GAZ	1234 5678	
05A		00H02105082	R-CTO. MANDO FRENO DTRO. R-COMANDO FRENO FRONT BRAKE LEVER/MASTER CYLIN	REP.-SATZ F. PUMPE R-ENSEM.KIT REPAR. POMPE SE	1234 5678	
06A		00H00906203	R-MANETA FRENO LEVA FRENO BRAKE LEVER	BREMSHEBEL KOMPL. MANETE DU FREIN AVANT	1234 5678	
07A		00H02100191	R-TAPA DEPOSITO LIQ. FRENO COPERCHIO SERBATOIO LIQUIDO BRAKE FLUID RESERVOIR CAP	BREMSFLUESSIGKEITSBEHAELTE R-COUV.RESER.LIQ.FREIN AVAN	1234 5678	
08A		00H02100861	R-JUNTA TAPA DEPOSITO GUARNIZIONE SEAL	BREMSCECKELDICHTUNG R-JOINT	1234 5678	
09A		00014041200	TORNILLO C/CRUZ 4M80X12 VITE SCREW	SCHRAUBE VIS	1234 5678	
10A		00H00900871	CASQUILLO FIJ. INTERRUPTOR STOP BRONZINA BUSHING	BUCHSE ENTRETOISE	1234 5678	

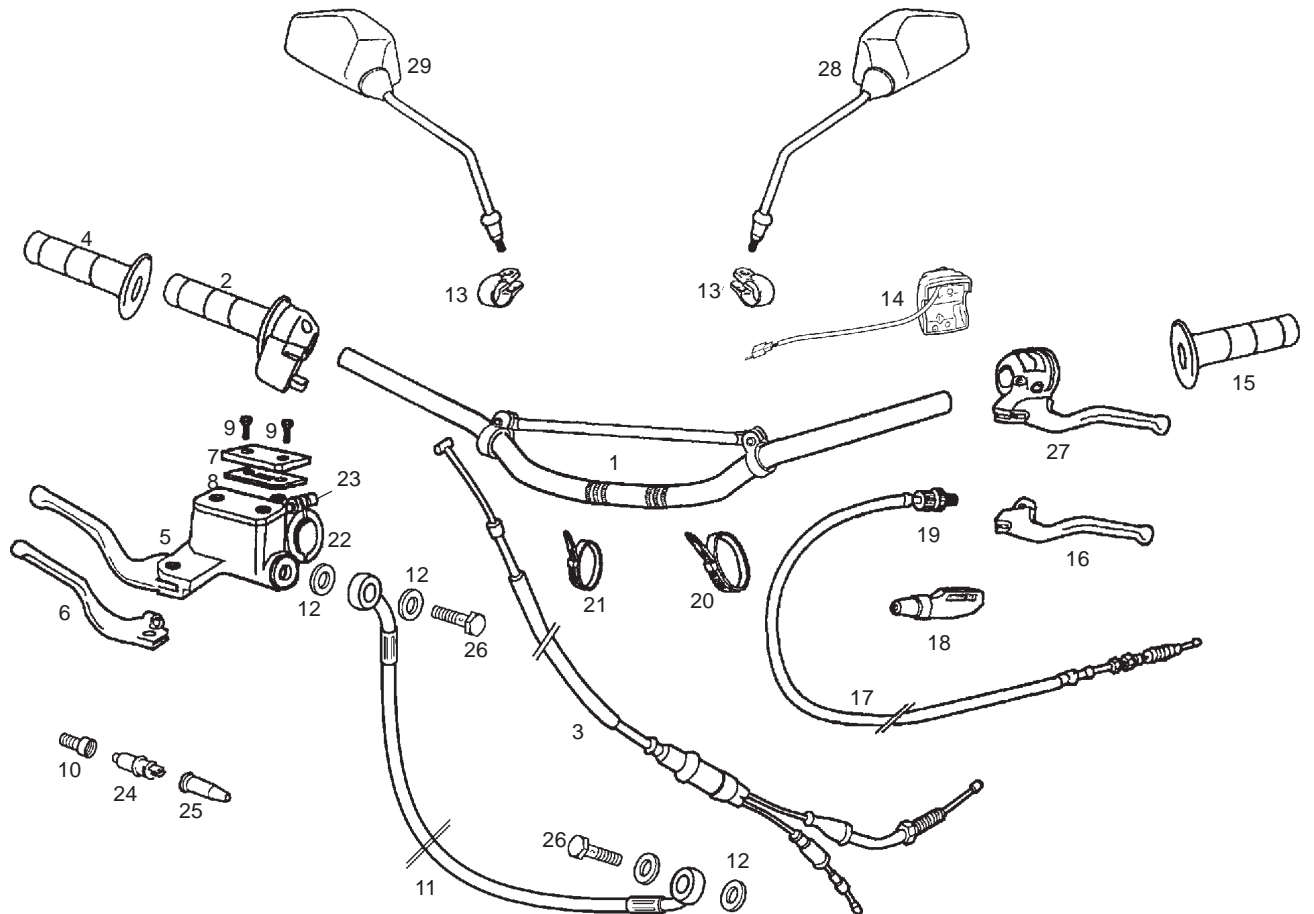


Fig.	Ver.	COD. KOD.	DESCRIPCIÓN DENOMINAZIONE NAME	BEZEICHUNG DESIGNATION	MOD.	NOTAS NOTES NOTA MITSCHRIFT NOTES
11A		00H00919751	SCTO. TUBO LIQUIDO FRENO DT TUBO LIQ.FRENO BRAKE FLUID TUBE	BREMSSSCHLAUCH FLEXIBLE DE FREIN AVANT	1234 5678	
12A		00006321040	ARANDELA JUNTA RACORD RONDELLA WASHER	SCHEIBE RONDELLE	1234 5678	
13A		00H02200681	BRIDA BRIGLIA BRIDLE	ZÜGEL BRIDE	1234 5678	
14A		00H02305381	CTO. CONMUTADOR LUCES C/C CONMUTATORE LUCI SWITCH	LICHTSCHALTER INVERSEUR AVEC CABLE	1234 5678	
15A		00H00930071	R-EMPUÑADURA R-MANOPOLA GRIP	GRIFF POIGNE	1234 5678	
16A		00H00903291	R-MANETA EMBRAGUE LEVA FRIZIONE CLUTCH LEVER	KUPPLUNGSHABEL LEVIER EMBRAYAGE	1234 5678	
17A		00H00917301	SCTO. CABLE FUNDA-EMBRAGUE CAVO-GUAINA FRIZIONE CLUTCH CABLE	KUPPLUNGSZUG GAINE ET CABLE DIEMBRAYAGE	1234 5678	
18A		00H02101011	PROTECTOR MANETA EMBRAGUE PROTETTORE LEVA FRIZIONE SD- CLUTCH LEVER PROTECTOR	GUMMIKAPPE PROTEGE LEVIER EMBRAY.	1234 5678	
19A		00F00920551	R-CTO TENSOR CABLE EMBRAGUE TENSORE CABO CLUTCH CABLE TIGHTENING DEVICE	SHELLE COLLIER FIX ELIERIE	1234 5678	
20A		00F00900531	BRIDA BRIGLIA BRIDLE	ZÜGEL BRIDE	1234 5678	
21A		00D00900531	BRIDA BRIGLIA BRIDLE	ZÜGEL BRIDE	1234 5678	

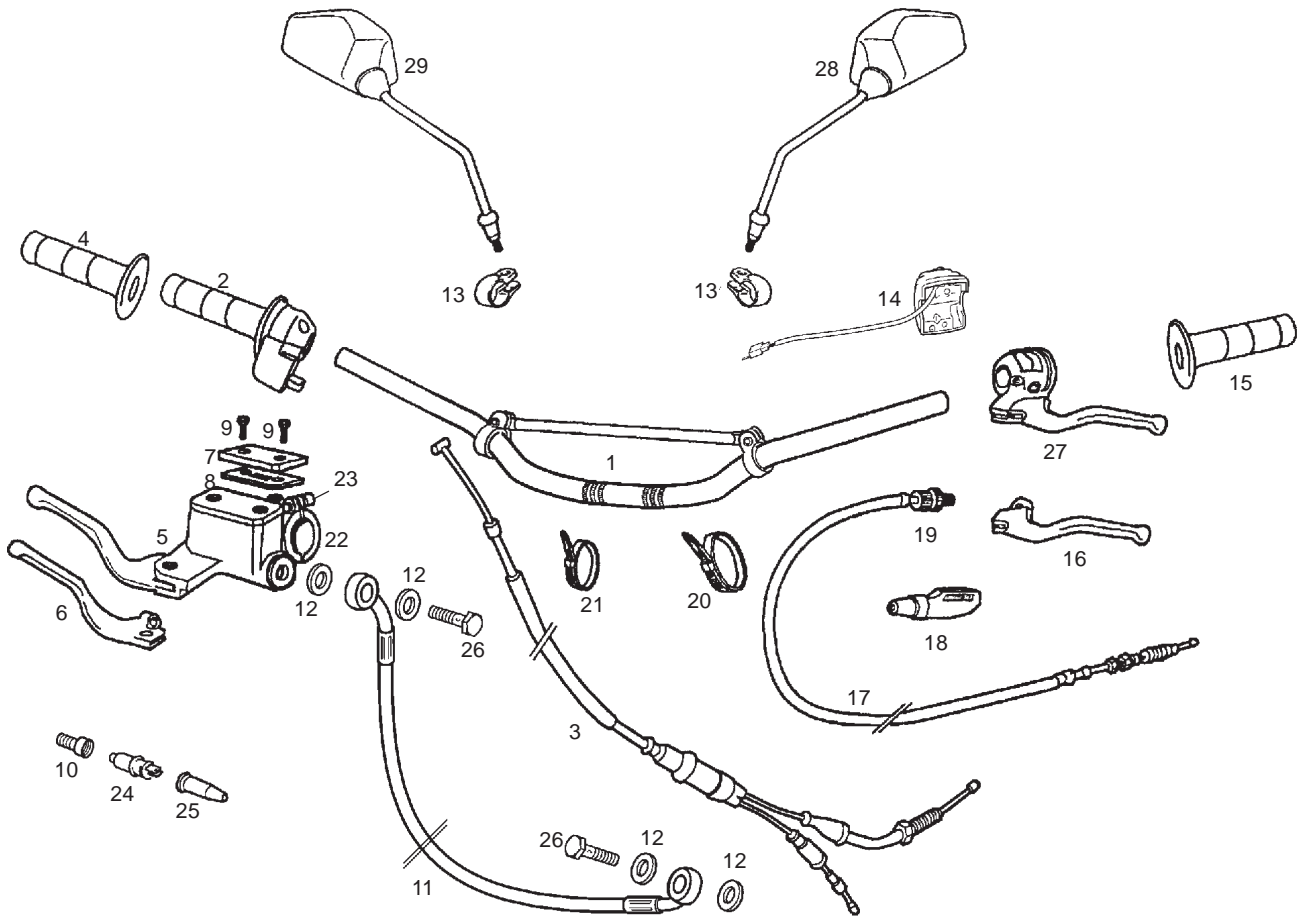


Fig.	Ver.	COD. KOD.	DESCRIPCIÓN DENOMINAZIONE NAME	BEZEICHUNG DESIGNATION	MOD.	NOTAS NOTES NOTA MITSCHRIFT NOTES
22A		00H02100901	R-BRIDA FIJACION MANDO FRENO DT BRIDA CLAMP	BEF.-SCHELLE ENTRETOISE	1234 5678	
23A		00002051251	TORNILLO FIJACION BRIDA 5M80X12 VITE SCREW	SCHRAUBE VIS	1234 5678	
24A		00D01000701	INTERRUP.MANDO STOP. INTERRUPTORE STOP SWITCH, STOP LIGHT	STOPCHALTER VO. INTERRUPTEUR COMMANDE STOP	1234 5678	
25A		00005010760	CAPUCH.INTERRUP.STOP.NG. CAPPUCIO INTERRUPTORE STOP NE RUBBER COVER,STOP LIGHT SWITCH	GUMMISCHUTZ STOPLICHTSCHAL CAPUCHON	1234 5678	
26A		00006309260	RACORD TUBO HIDRAULICO RACCORDO RACCORD	STUTZEN HIDRAULIKLEITUNG RACCORD	1234 5678	
27A		00H02105612	CTO. PORTAMANETA IZQUIERDO PORTAMANOPOLA SINIST LEFT LEVER BRACKET	BREMSHEBEL LINKS KOMPLETT ENS. PORTE-MANETTE GAUCHE	1234 5678	
28A		00G04613921	CTO. ESPEJO RETROVISOR SPECCHIO REAR MIRROR	SPIEGEL MIRROIR RETROVISEUR	1234 5678	
29A		00H02207671	CTO. ESPEJO RETROVISOR SPECCHIO REAR MIRROR	SPIEGEL MIRROIR RETROVISEUR	1234 5678	

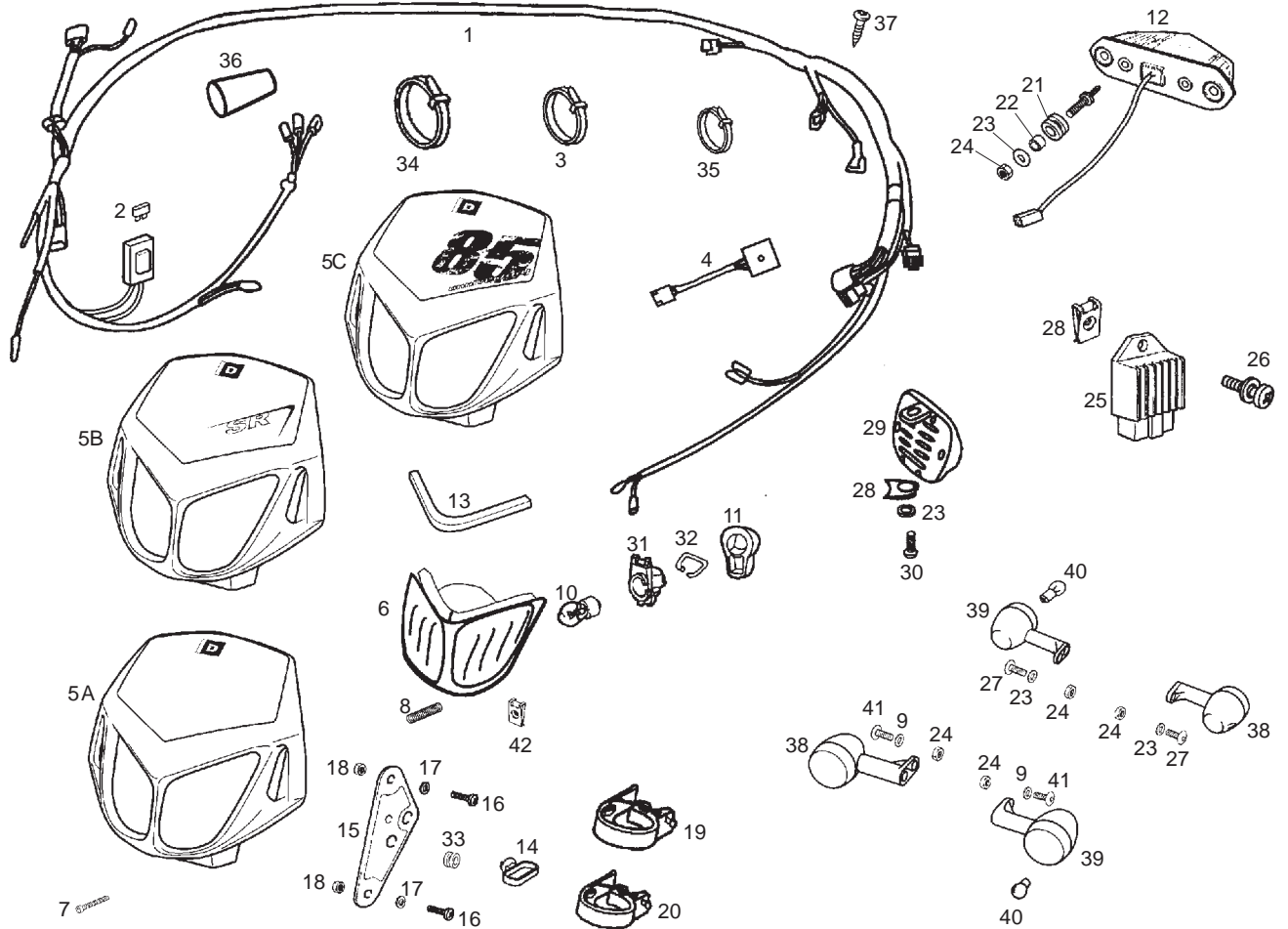


Fig.	Ver.	COD. KOD.	DESCRIPCIÓN DENOMINAZIONE NAME	BEZEICHUNG DESIGNATION	MOD.	NOTAS NOTES NOTA MITSCHRIFT NOTES
01A		00H01047301	CTO. INSTALACION ELECTRICA COMPLESSO IMPIANTO ELETTRICO ELECTRICAL INSTALATIONS ASSY.	KOBELBAUM FAISCEAU ELECTRIQUE	1234 56	UNTIL FRAME 6H330320
01B		86107R	CTO. INSTALACION ELECTRICA COMPLESSO IMPIANTO ELETTRICO ELECTRICAL INSTALATIONS ASSY.	KOBELBAUM FAISCEAU ELECTRIQUE	1234 5678	SINCE FRAME 6H330321
02A		00H01001911	FUSIBLE 7,5 AMP FUSIBILE FUSE	FUSE FUSIBLE	1234 5678	
03A		00D00900531	BRIDA 200 X 3,6 BRIGLIA BRIDLE	ZÜGEL BRIDE	1234 5678	
04A		00H05700481	CTO. TEMPORIZADOR CHECK TEMPORIZZATORE CHECK INP. CHECK INDICATOR	ZEITSCHALTER FAISCEAU COMPTEUR	1234 5678	
05A		00H02239372	CARCASA FARO DELANTERO COPERCHIO FANALE HEADLIGHT CUSING	SCHEINWERFERVERKLEIDUNG PLAQUE PHARE	123	
05B		86248000WN0	CARCASA FARO DELANTERO COPERCHIO FANALE HEADLIGHT CUSING	SCHEINWERFERVERKLEIDUNG PLAQUE PHARE	4 56	
05C		86466400WN0	CARCASA FARO DELANTERO COPERCHIO FANALE HEADLIGHT CUSING	SCHEINWERFERVERKLEIDUNG PLAQUE PHARE	78	
06A		00H01013011	CTO. FARO DELANTERO FARO ANTERIORE HEADLIGHT LENS	SCHEINWERFER OPTIQUE COMPLETE	1234 5678	
07A		00012045000	TORNILLO REGULACION FARO VITE SCREW	SCHRAUBE VIS	1234 5678	

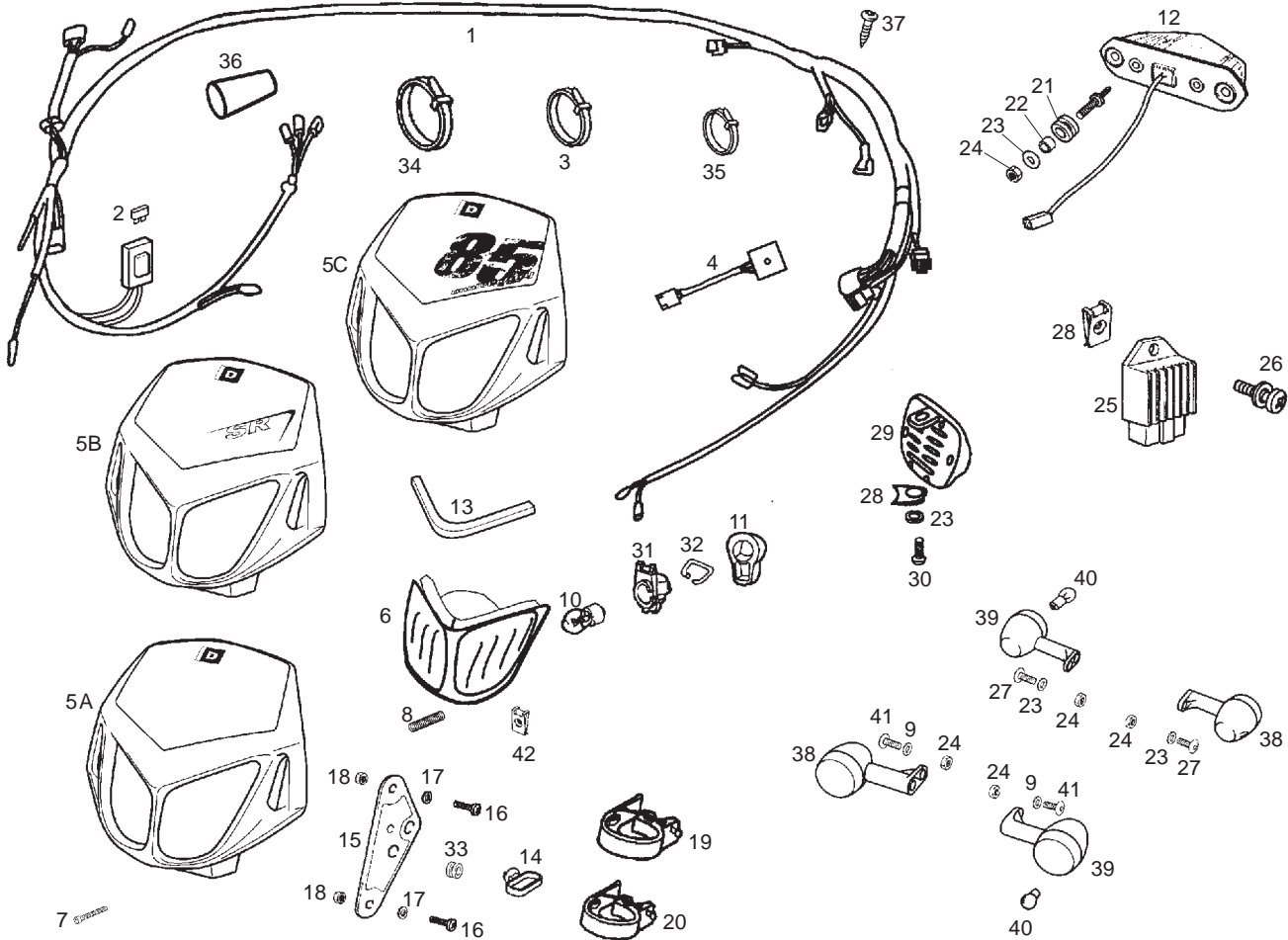


Fig.	Ver.	COD. KOD.	DESCRIPCIÓN DENOMINAZIONE NAME	BEZEICHUNG DESIGNATION	MOD.	NOTAS NOTES NOTA MITSCHRIFT NOTES
08A		00H02304501	MUELLE REGULACION FARO MOLLA SPRING	FEDER RESSORT	1234 5678	
09A		00031106000	ARANDELA PLANA D6 RONDELLA WASHER	SCHEIBE RONDELLE	1234 5678	
10A		00H01000131	LAMPARA FARO.12V.35/35W. LAMPADA HEADLIGHT BULB	SCHEINWERFERLAMPE TUBE PHARE	1234 5678	
11A		00H05703141	R-PROTECTOR PORTALAMPARAS R-PROTEZIONE HEADLAMP BULB HOLDER	LAMPENDECKEL R-PROT.PORTE-LAMPES PHARE F	1234 5678	
12A		00H01009321	CTO.FARO PILOTO FANALINO POSTERIORE TAIL LIGHT ASSY	RUCKLIGHT FEU ARRIERE	1234 5678	
13A		00H05700101	TOPE FARO FERMO FARO HEADLIGHT STOP	ANSCHLAG SCHEINWERFER BUTEE PHARE	1234 5678	
14A		00F02201591	GUIA CABLES GUIDA CAVI CABLE GUIAE	HALTER F. BEF. FIX.TUYAU	1234 5678	
15A		00H01503741	SOPORTE CARCASA FARO SUPPORTO HEADLIGHT CUSING SUPPORT	HALTERUNG SUPPORT	1234 5678	
16A		00012051200	TORNILLO VITE SCREW	SCHRAUBE VIS	1234 5678	
17A		00D02600631	ARANDELA RONDELLA WASHER	SCHEIBE RONDELLE	1234 5678	

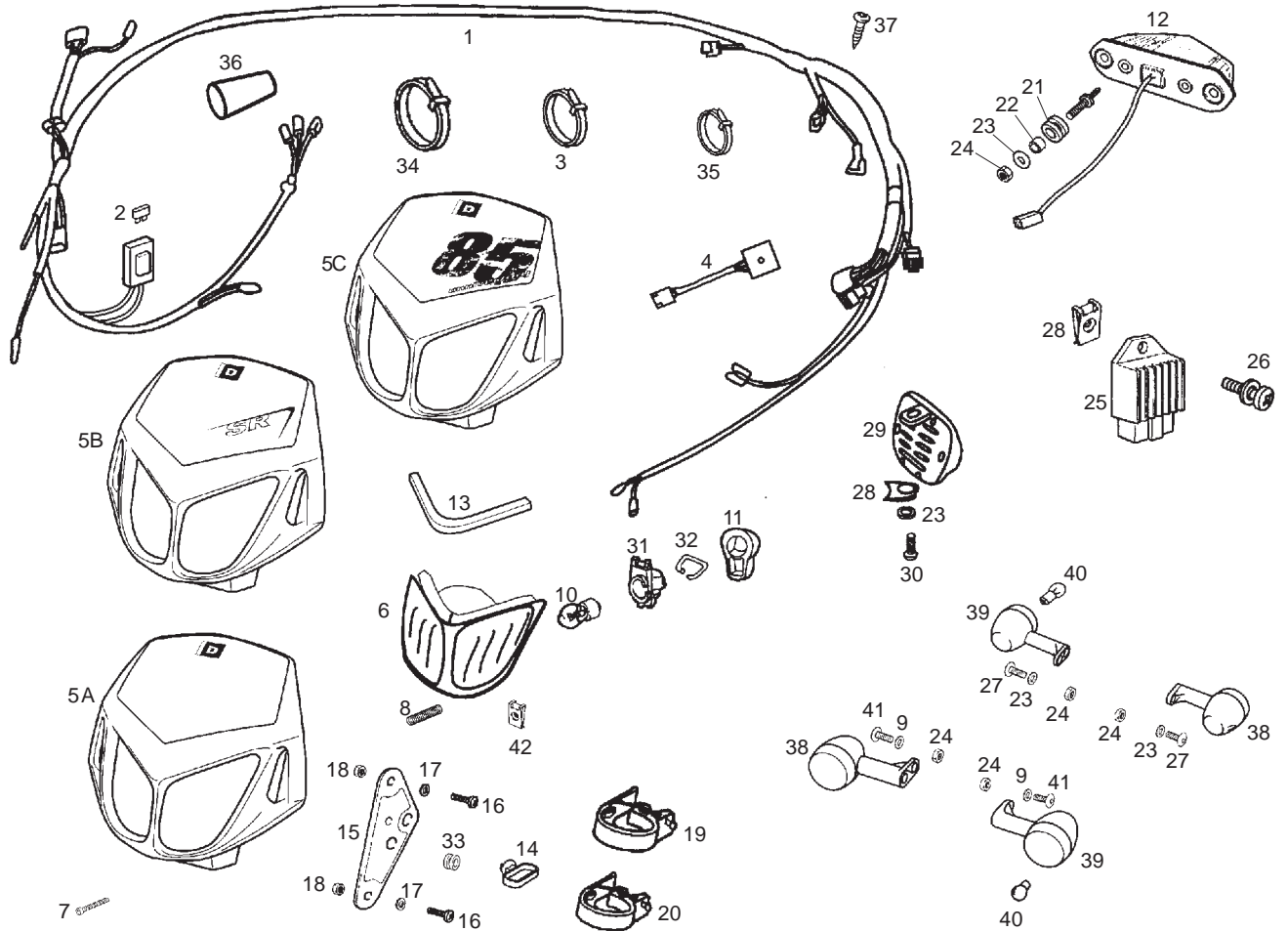


Fig.	Ver.	COD. KOD.	DESCRIPCIÓN DENOMINAZIONE NAME	BEZEICHUNG DESIGNATION	MOD.	NOTAS NOTES NOTA MITSCHRIFT NOTES
18A		00026005000	TUERCA DADO NUT	MUTTER ECROU	1234 5678	
19A		00H04605841	BRIDA BRIGLIA BRIDLE	ZÜGEL BRIDE	1234 5678	
20A		00H04603841	BRIDA BRIGLIA BRIDLE	ZÜGEL BRIDE	1234 5678	
21A		00008915020	PASACABLE PORTACAVI GROMMET	GUMMI PASSE-CABLE	1234 5678	
22A		00D01500471	CASQUILLO BRONZINA BUSHING	BUCHSE ENTRETOISE	1234 5678	
23A		00D01200171	ARANDELA RONDELLA WASHER	SCHEIBE RONDELLE	1234 5678	
24A		00000023060	TUERCA AUTOBLOC. 6M100 DADO NUT	MUTTER ECROU	1234 5678	
25A		864660	REGULADOR REGULATORE TENSIONE REGULATOR	SPANNUNGSREGLER REGULATEUR AC/DC	1234 5678	
26A		00D05900081	SCTO.TORNILLO 6M100X16 VITE SCREW	SCHRAUBE VIS	1234 5678	
27A		00008061500	TORNILLO C/RED.ALLEN 6M100X16 VITE SCREW	SCHRAUBE VIS	1234 5678	

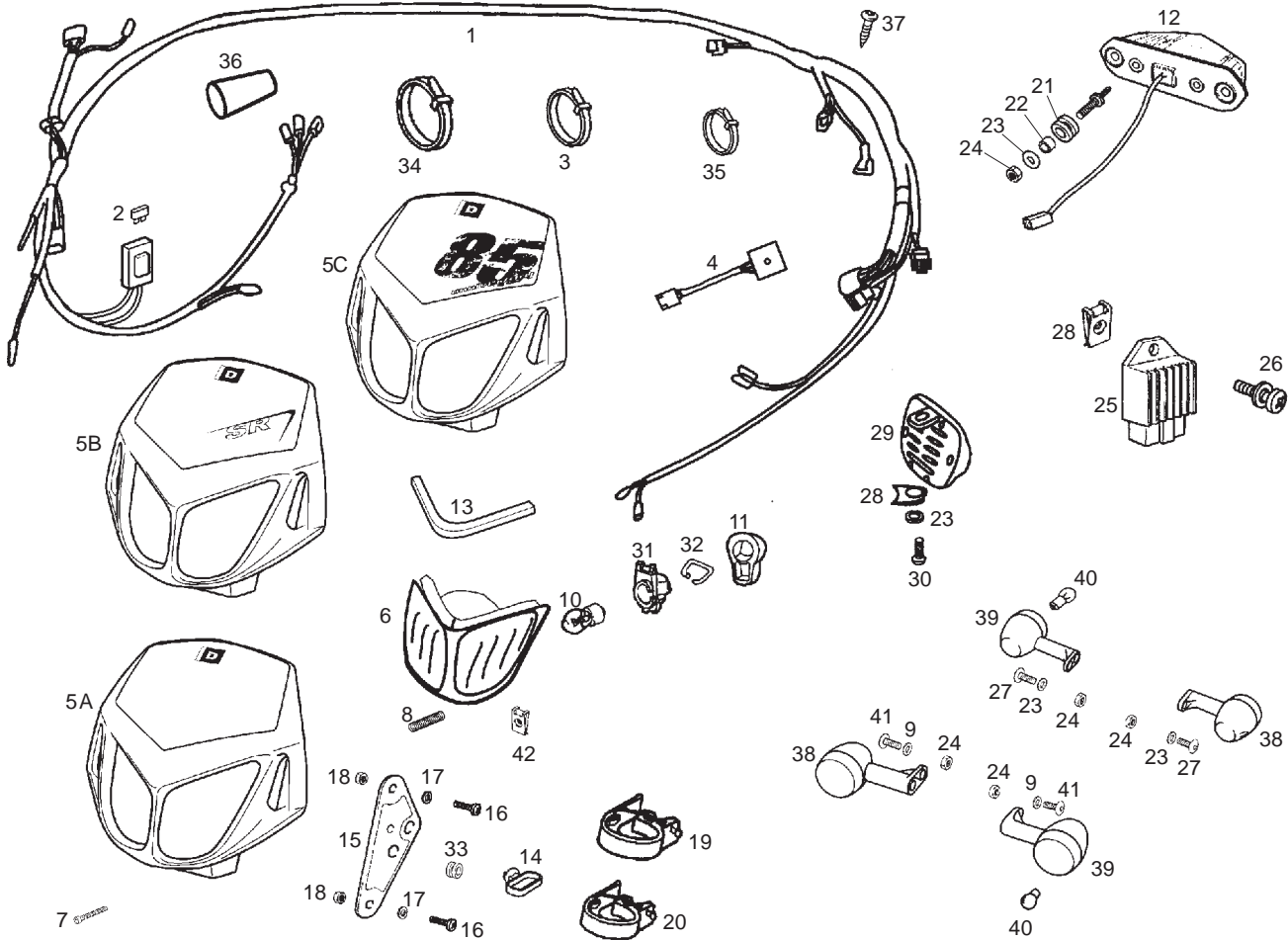


Fig.	Ver.	COD. KOD.	DESCRIPCIÓN DENOMINAZIONE NAME	BEZEICHUNG DESIGNATION	MOD.	NOTAS NOTES NOTA MITSCHRIFT NOTES
28A		00D01501371	TUERCA FIJACION D6 DADO NUT	MUTTER ECROU	1234 5678	
29A		00H01005311	CTO.CLAXON CLACSON HORN ASSEMBLY	HUPE KLAXON	1234 5678	
30A		00012061200	TORNILLO C/R.CR.6M100X12 VITE SCREW	SCHRAUBE VIS	1234 5678	
31A		00003710110	R-PORTALAMPARAS PORTA-LAMPADE BULB HOLDER	LAMPENHALTER R-PORTE-LAMPES	1234 5678	
32A		00003710120	R-MUELLE PORTLAMPARAS R- MOLLA SPRING	LAMPENHALTER R-RESSORT	1234 5678	
33A		00H05701061	PASACABLE S PORTACAVI GROMMET	GUMMI PASSE-CABLE	1234 5678	
34A		00F00900531	BRIDA 290 X 4,8 BRIGLIA BRIDLE	ZÜGEL BRIDE	1234 5678	
35A		00D00900531	BRIDA 140 X 3,6 BRIGLIA BRIDLE	ZÜGEL BRIDE	1234 5678	
36A		00H02300961	PROTECTOR CONEXIONES PROTEZIONE PROTECTOR	ABDECKUNG PROTECTEUR	1234 5678	
37A		00011061300	TORNILLO AUTR.C/CRUZ.6,3X13 VITE SCREW	SCHRAUBE VIS	1234 5678	

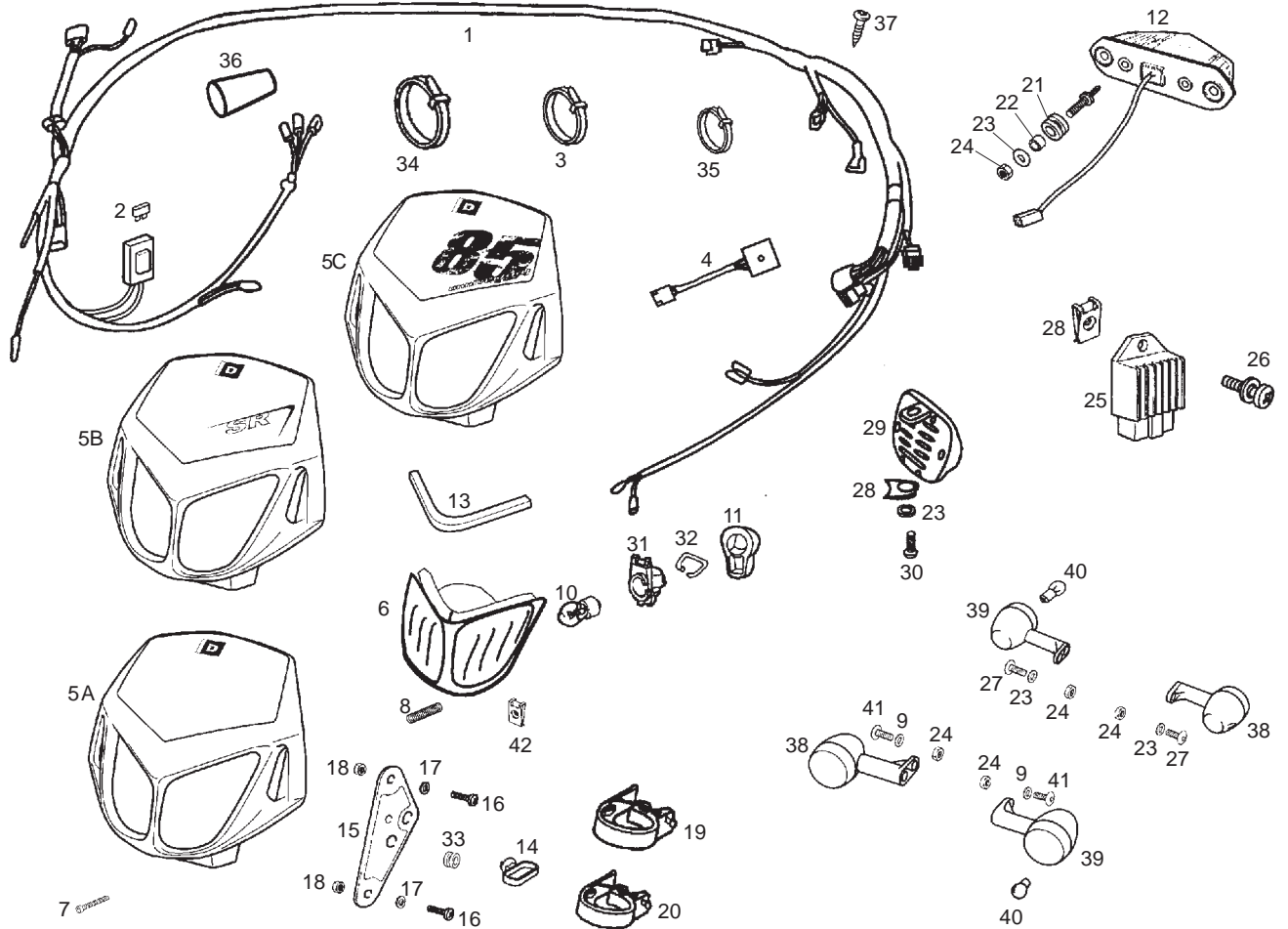


Fig.	Ver.	COD. KOD.	DESCRIPCIÓN DENOMINAZIONE NAME	BEZEICHNUNG DESIGNATION	MOD.	NOTAS NOTES NOTA MITSCHRIFT NOTES
38A		00H01704311	CTO.FARO INTTE. DELANTERO DR. INDIC. DIREZIONE FRONT RH TURN SIGNAL LIGHT	BLINKER CLIGNOTANTS	1234 5678	
39A		00H01706021	CTO.FARO INTTE. DELANTERO IZ. INDIC. DIREZIONE FRONT LH TURN SIGNAL LIGHT	BLINKER CLIGNOTANTS	1234 5678	
40A		00H01701011	LAMPARA LAMPADA BULB	LAMPE TUBE PHARE	1234 5678	
41A		00008063000	TORNILLO C/RED.ALLEN 6M100X30 VITE SCREW	SCHRAUBE VIS SCREW	1234 5678	
42A		00G04401462	TUERCA FIJACION D5 DADO NUT	MUTTER ECROU	1234 5678	

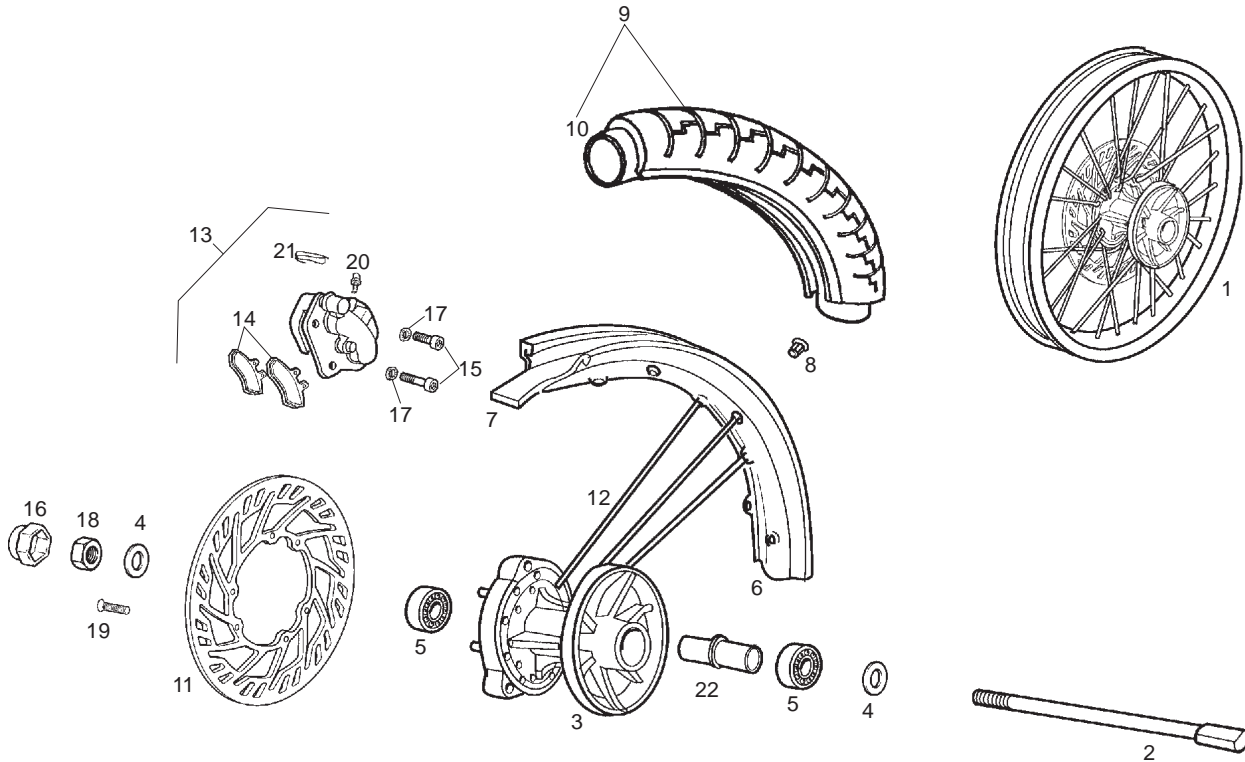


Fig.	Ver.	COD. KOD.	DESCRIPCIÓN DENOMINAZIONE NAME	BEZEICHNUNG DESIGNATION	MOD.	NOTAS NOTES NOTA MITSCHRIFT NOTES
01A		00H04725082	CTO RUEDA DT C/DISCO NEGRA R-COMPL. RUOTA C/DISCO FRONT WHEEL W/DISC	VORDERRAD M/BREMSSSCHEIBE ROUE AVEC DISQUE	1 4 7 8	
01B		00H04725081	CTO RUEDA DT C/DISCO AZUL R-COMPL. RUOTA C/DISCO FRONT WHEEL W/DISC	VORDERRAD M/BREMSSSCHEIBE ROUE AVEC DISQUE	2 3 5 6	
01C		00H04725081	CTO RUEDA DT C/DISCO AZUL R-COMPL. RUOTA C/DISCO FRONT WHEEL W/DISC	VORDERRAD M/BREMSSSCHEIBE ROUE AVEC DISQUE	8	ONLY AUSTRIA
02A		00H01202271	EJE RUEDA DTRA. ASSE RUOTA ANTERIORE AXLE FRONT WHEEL	VORDERRADACHSE AXE DE ROUE AV.	1 2 3 4 5 6 7 8	
03A		00H01204714	CTO. CARRETE DT. MOZZO ANT. FRONT HUB ASSY	RADNABE MOYEU	1 2 3 4 5 6 7 8	
04A		00032015000	ARANDELA PLANA. D.15. RONDELLA WASHER	SCHEIBE RONDELLE	1 2 3 4 5 6 7 8	
05A		00058020200	COJINETE CUSCINETTO BEARING	LAGER COUSSINET	1 2 3 4 5 6 7 8	
06A		00H01211082	LLANTA DT 2,50X17" NEGRA CERCHIONE RUOTA ANT. FRONT WHEEL RIM	VORDERRADFELGE JANTE AV.	1 4 7 8	
06B		00H01211083	LLANTA DT 2,50X17" AZUL CERCHIONE RUOTA ANT. FRONT WHEEL RIM	VORDERRADFELGE JANTE AV.	2 3 5 6	
06C		00H01211083	LLANTA DT 2,50X17" AZUL CERCHIONE RUOTA ANT. FRONT WHEEL RIM	VORDERRADFELGE JANTE AV.	8	ONLY AUSTRIA
07A		00D01301401	PROTECTOR CAMARA PROTETTORE CAMERA RIM STRIP	FELGELBAND PROTECTEUR DE CHAMBRE A AIR	1 2 3 4 5 6 7 8	

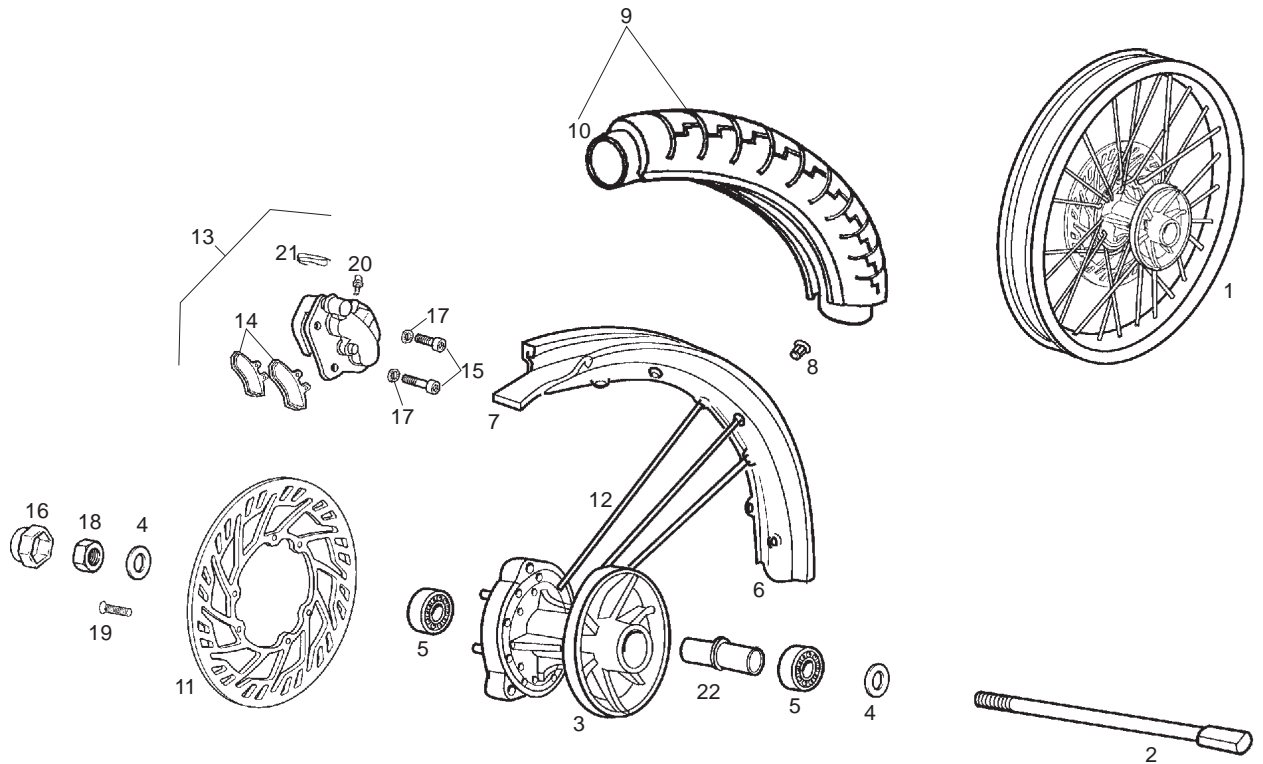


Fig.	Ver.	COD. KOD.	DESCRIPCIÓN DENOMINAZIONE NAME	BEZEICHNUNG DESIGNATION	MOD.	NOTAS NOTES NOTA MITSCHRIFT NOTES
08A		00032015000	ARANDELA PLANA D15 DADO NUT	MUTTER ECROU	1234 5678	
09A		00H01218111	CTO. CUBIERTA DT 100/80-17" COPERTONE TYRE	REIFEN PNEU	1234 5678	
10A		00H01207101	CAMARA DT 17" CAMERA D'ARIA FRONT TUBE	SCHLAUCH VORNE CHAMBRE A AIR	1234 5678	
11A		00H01224021	DISCO FRENO DELANTERO DISCO FRENO ANTERIORE FRONT BRAKE DISC	SCHEIBE NBREMSE VORN DISQUE FREIN AVANT	1234 5678	
12A		00H01303691	RADIO RUEDA RAGGIO RUOTA WHEEL ARM	SPEICHE RAYON DE ROUE	1234 5678	
13A		00H01208191	R-CTO PINZA FRENO DT PINZA LEFT-HAND FRONT CLIP ASSY	BREMSZANGE ENS. ETRIER DE FREIN	1234 5678	
14A		00H04703141	JUEGO PASTILLAS DE FRENO CONG. PASTIGLIE FRENO SET OF BRAKE PADS	DIE GESAMTHEIT BREMSBACKEN ENS. PLAQUETTE DE FREIN	1234 5678	
15A		00002083001	TORNILLO 8M125X30 VITE SCREW	SCHRAUBE VIS	1234 5678	
16A		00H01201331	PROTECTOR TUERCA PROTEZIONE PROTECTOR	ABDECKUNG PROTECTEUR	1234 5678	
17A		00034000802	ARANDELA ESTRELL. INT. D8 RONDELLA WASHER	SCHEIBE RONDELLE	1234 5678	
18A		00H00300672	TUERCA DADO NUT	MUTTER ECROU	1234 5678	

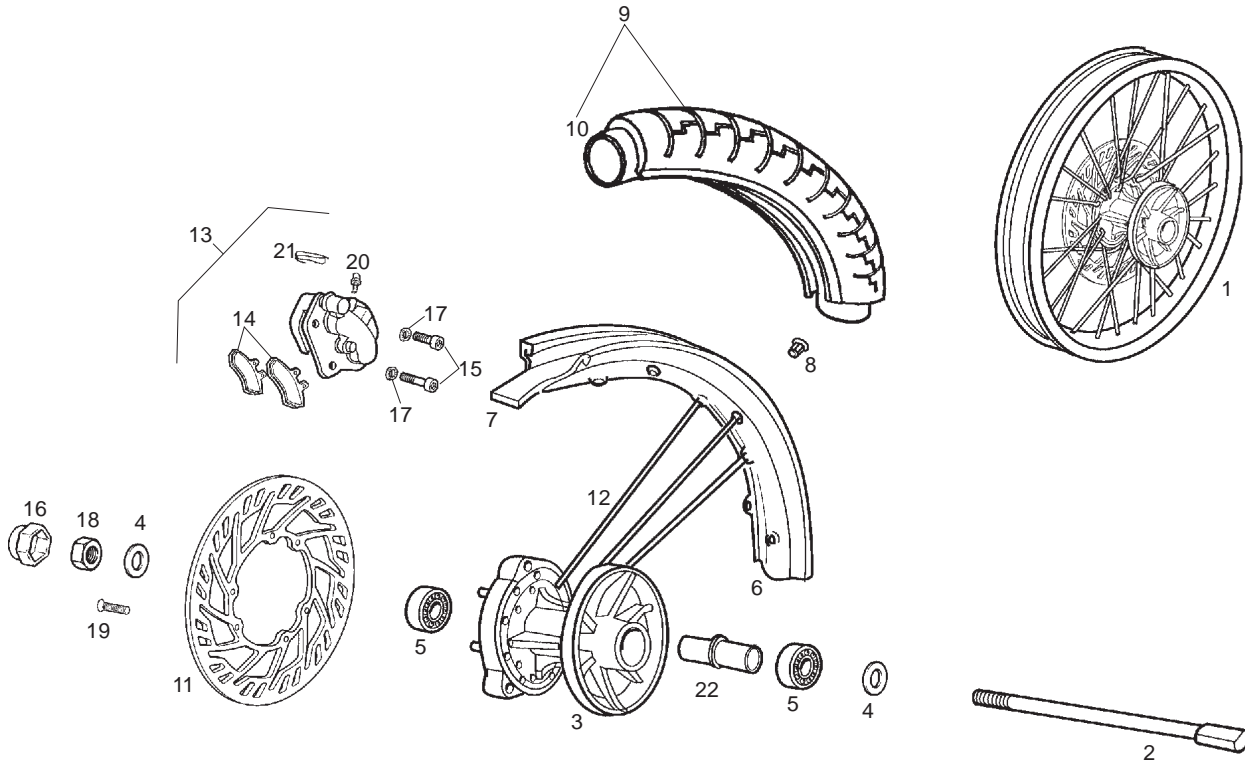


Fig.	Ver.	COD. KOD.	DESCRIPCIÓN DENOMINAZIONE NAME	BEZEICHNUNG DESIGNATION	MOD.	NOTAS NOTES NOTA MITSCHRIFT NOTES
19A		00H02402282	TORNILLO FIJACION VITE SCREW	SCHRAUBE VIS	1234 5678	
20A		00F04700121	R-CTO. PURGAD. PINZA FR. DT. R-SPURGO FRONT BRAKE BLEED CLIP ASSY	ABLASSHAHN R-ENS. PURGEUR PINCE FREIN AV. F	1234 5678	
21A		00H01301831	MUELLE FIJ. PASTILLA FRENO TR. MOLLA SPRING	FEDER RESSORT	1234 5678	
22A		00H01203031	SCTO. SEPARADOR COJINETES SEPARATORE CUSCINETTI SPACER BEARING	DISTANZHULSE SEP. ROULEMENTS MOYEU AR.	1234 5678	

**RUEDA SIN DISCO Y SIN PLATO
WHEEL WITHOUT DISC AND DRIVE PLATE**

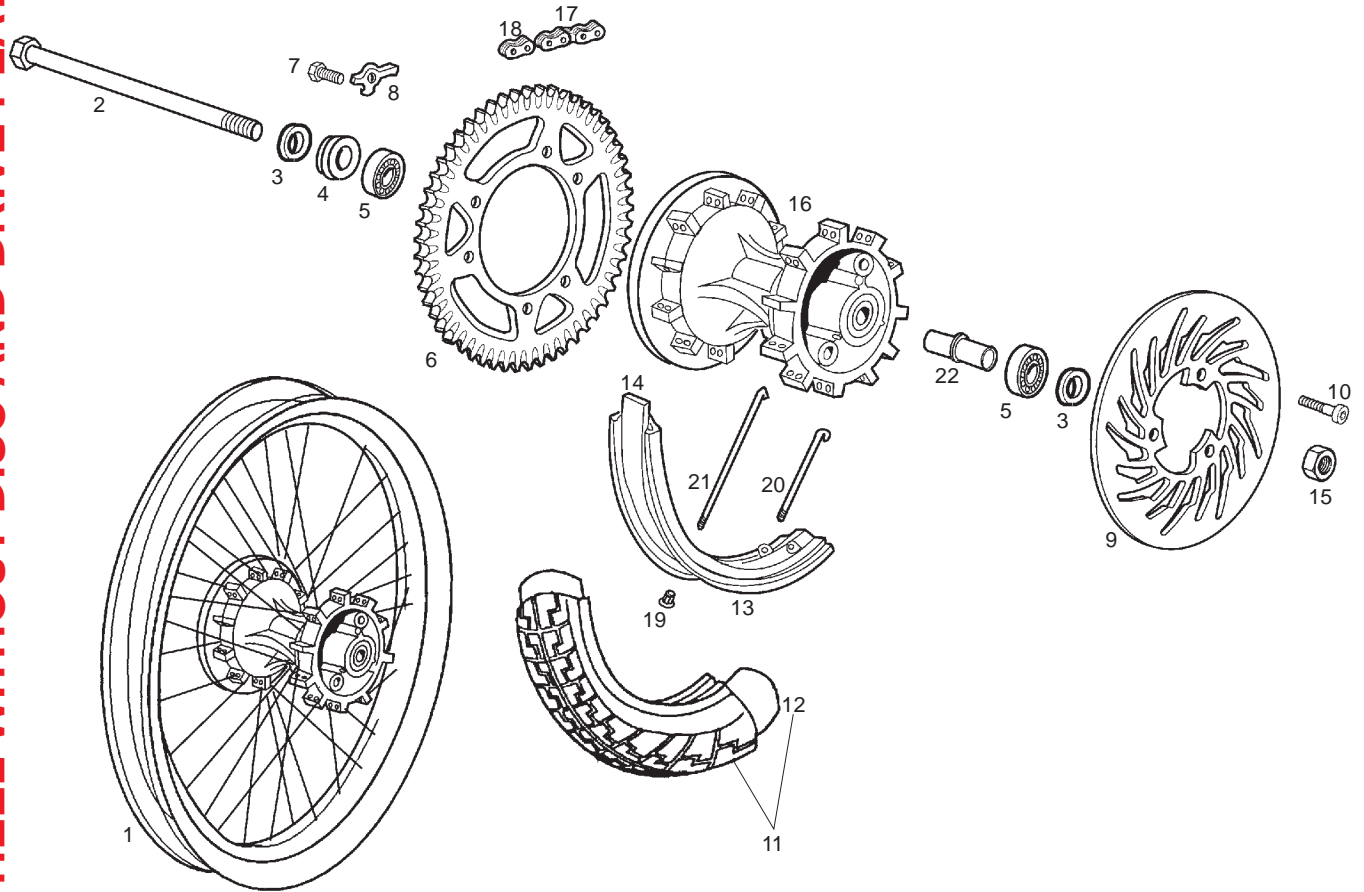
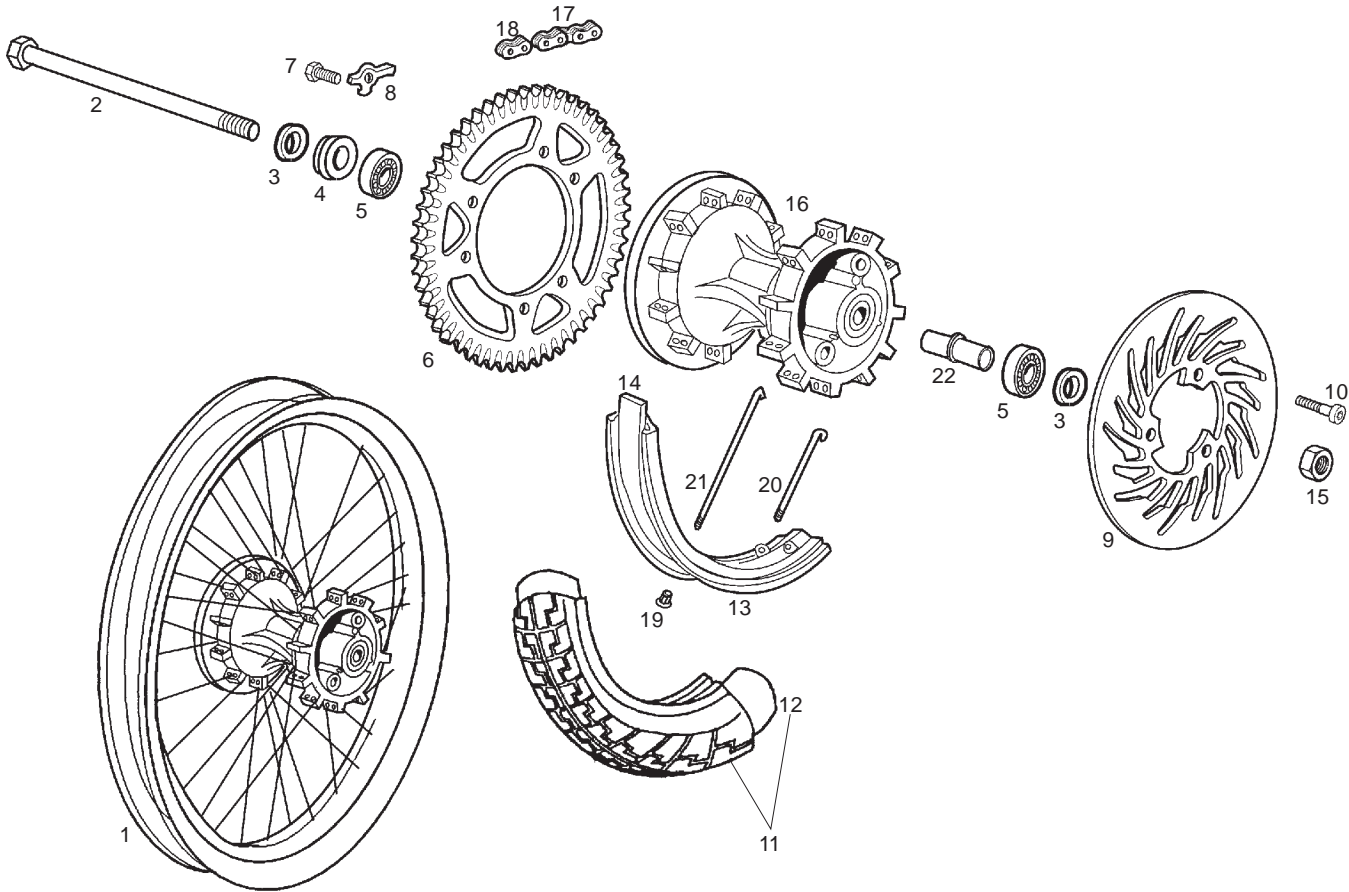


Fig.	Ver.	COD. KOD.	DESCRIPCIÓN DENOMINAZIONE NAME	BEZEICHNUNG DESIGNATION	MOD.	NOTAS NOTES NOTA MITSCHRIFT NOTES
01A		00H02410332	R-CTO LLANTA TRASERA C/CARRETE CERCHIONE CON MOZZO REAR RIM WITH HUB	HINTERRAD MIT RADNABE ROUE ARRIERE AVEC MOYEU	1 4 7 8	
01B		00H02410331	R-CTO LLANTA TRASERA C/CARRETE CERCHIONE CON MOZZO REAR RIM WITH HUB	HINTERRAD MIT RADNABE ROUE ARRIERE AVEC MOYEU	23 56	
01C		00H02410331	R-CTO LLANTA TRASERA C/CARRETE CERCHIONE CON MOZZO REAR RIM WITH HUB	HINTERRAD MIT RADNABE ROUE ARRIERE AVEC MOYEU	8	ONLY AUSTRIA
02A		00H01303201	CTO. EJE RUEDA TRASERA ASSE RUOTA POSTER REAR WHEEL AXLE	HINTERRADACHSE AXE ROUE ARRIERE	1234 5678	
03A		00032015000	ARANDELA PLANA D15 RONDELLA WASHER	SCHEIBE RONDELLE	1234 5678	
04A		00H01306181	CASQUILLO BRONZINA BUSHING	BUCHSE ENTRETOISE	1234 5678	
05A		00058020200	COJINETE CUSCINETTO BEARING	LAGER COUSSINET	1234 5678	
06A		00H01331031	PLATO ARRASTRE Z-53 PIATTO TRAINO DRIVE PLATE	MITNEHMERSCHEIBE COURONNE ARRIERE	1234 5678	
07A		00012083001	TORNILLO 8M125X30 VITE SCREW	SCHRAUBE VIS	1234 5678	
08A		00H01302052	PRECINTO TOR. PLATO ARRAST. PIASTRINA VITE PIATTO TRASCINA BRAKE DISC RETAINER	SCHRAUBE MITNEHMERSCHEIBE ARRETOIR DES BOULONS DISQUE	1234 5678	
09A		00H01308531	DISCO FRENO TRASERO DISCO FRENO POSTERIORE REAR BRAKE DISC	BREMSSCHEIBE HINTEN DISQUE DE FREIN ARRIERE	1234 5678	



**RUEDA SIN DISCO Y SIN PLATO
WHEEL WITHOUT DISC AND DRIVE PLATE**

Fig.	Ver.	COD. KOD.	DESCRIPCIÓN DENOMINAZIONE NAME	BEZEICHNUNG DESIGNATION	MOD.	NOTAS NOTES NOTA MITSCHRIFT NOTES
10A		00H02401282	TORNILLO FIJ. DISCO FR. TR. VITE SCREW	SCHRAUBE VIS	1234 5678	
11A		00H01315321	CTO. CUBIERTA DT 130/70-17" COPERTONE TYRE	REIFEN PNEU	1234 5678	
12A		00H01309361	CAMARA TRASERA 17" CAMERA RUOTA POST. REAR WHEEL CAMBER	SCHLAUCH CHAMRE A AIR ARR.	1234 5678	
13A		00H01306353	LLANTA TRASERA 3,50X17" NEGRA CERCHIONE POSTERIORE REAR RIM	HINTERRADFELGE JANTE ARRIERE NUE.	1 4 7 8	
13B		00H01306352	LLANTA TRASERA 3,50X17" AZUL CERCHIONE POSTERIORE REAR RIM	HINTERRADFELGE JANTE ARRIERE NUE.	23 56	
13C		00H01309352	LLANTA TRASERA 3,50X17" AZUL CERCHIONE POSTERIORE REAR RIM	HINTERRADFELGE JANTE ARRIERE NUE.	8	ONLY AUSTRIA
14A		00D01303401	PROTECTOR CAMARA PROTEZIONE CAMERA RUOTA POSTER RIM STRIP	FELGENBAND PROTECTEUR DE CHAMBRE A AIR	1234 5678	
15A		00H00300672	TUERCA DADO NUT	MUTTER ECROU	1234 5678	
16A		00H01306824	CTO. CARRETE TRASERO MOZZO POST. HUB	RADNABE MOYEU ARRIERE	1234 5678	
17A		00H01502201	CADENA SECUNDARIA CATENA CHAIN	KETTE CHAINE	1234 5678	
18A		00H01501212	R-ENGANCHE DORAD. CADENA SEC. AGGANCIAMENTO CATENA SICUREZZA MASTER LINK	KETTENSHLOSS ATTACHE RAPIDE	1234 5678	

**RUEDA SIN DISCO Y SIN PLATO
WHEEL WITHOUT DISC AND DRIVE PLATE**

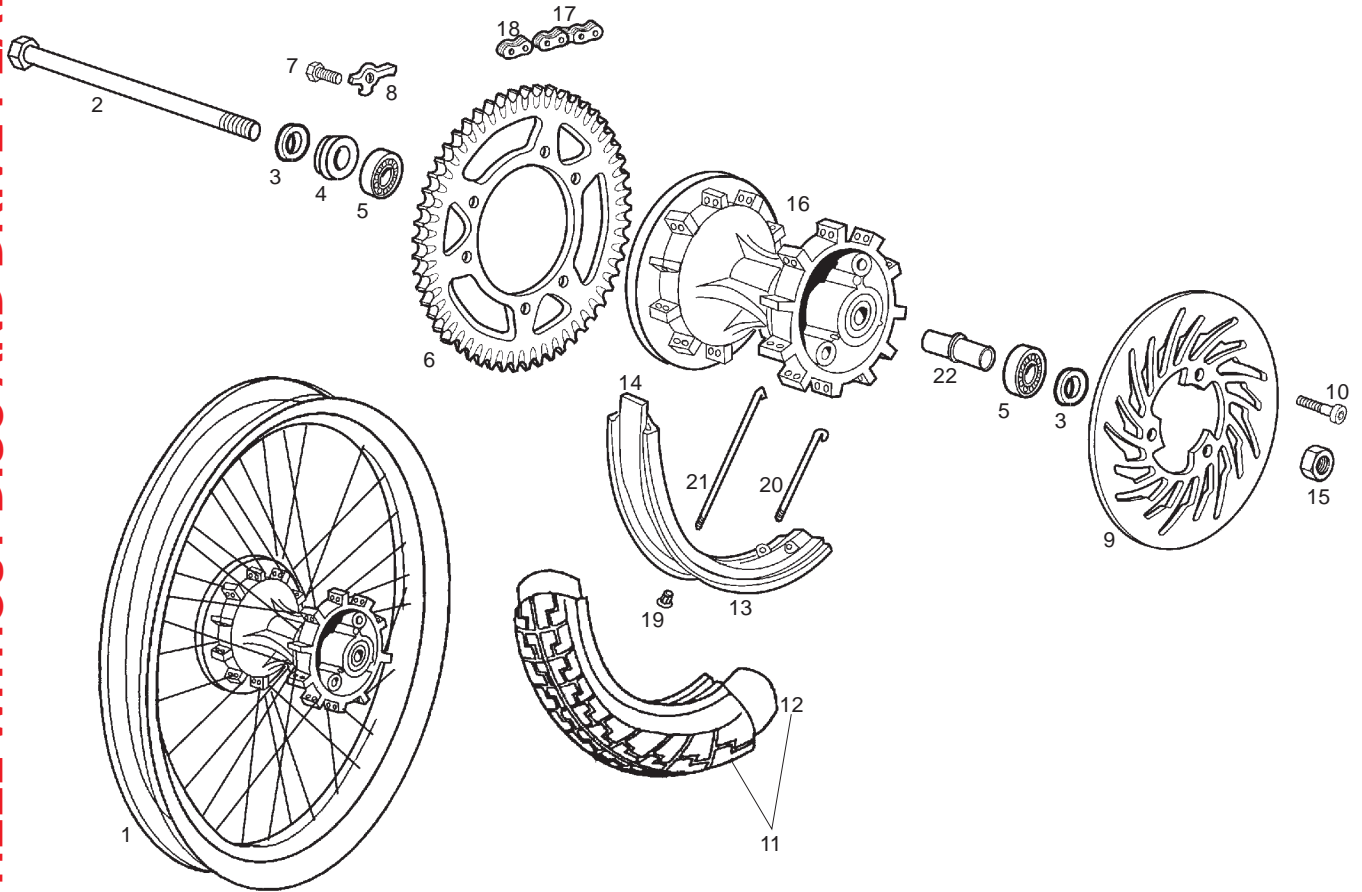


Fig.	Ver.	COD. KOD.	DESCRIPCIÓN DENOMINAZIONE NAME	BEZEICHNUNG DESIGNATION	MOD.	NOTAS NOTES NOTA MITSCHRIFT NOTES
19A		00002212070	TUERCA RADIO. DADO NUT	MUTTER ECROU	1234 5678	
20A		00H01303691	RADIO TRASERO LADO DISCO SPEICHE REAR SHORT INNER SPOKE	SPEICHE RAYON ROUE AR INT. COURT	1234 5678	
21A		00H01301731	RADIO TRASERO LADO PLATO RADIO POST. LATO PIATTO REAR INNER SPOKE	SPEICHE RAYON ROUE ARRIERE INT.	1234 5678	
22A		00H01303091	SCTO. SEPARADOR COJINETES SUBCOMPLESO SEPARATORE CUSCIN BEARING SPACER	DISTANZHULSE SEPARATEUR ROULEMENTS	1234 5678	

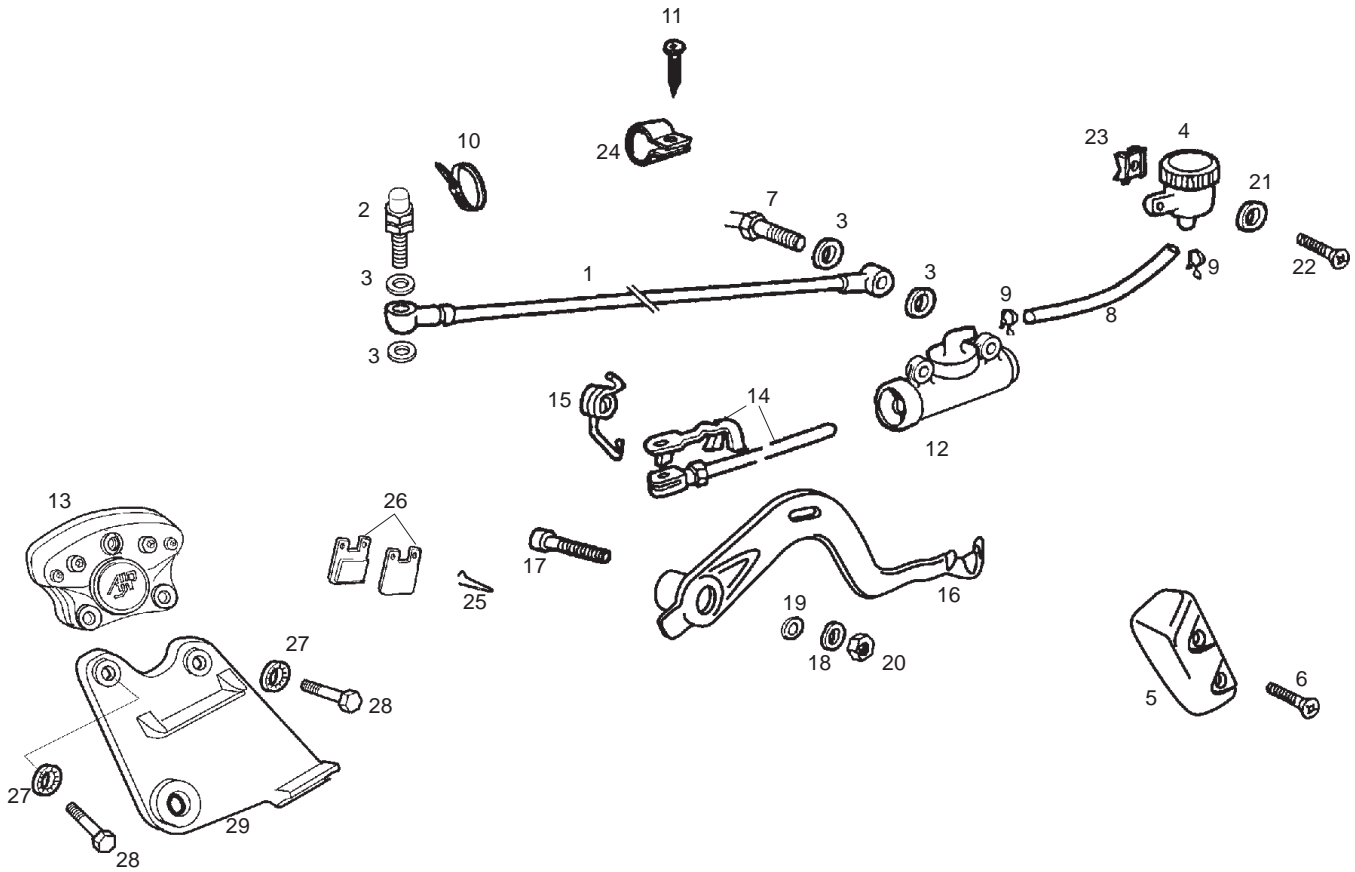


Fig.	Ver.	COD. KOD.	DESCRIPCIÓN DENOMINAZIONE NAME	BEZEICHUNG DESIGNATION	MOD.	NOTAS NOTES NOTA MITSCHRIFT NOTES
01A		00H01111081	TUBO LIQUIDO FRENO TRASERO TUBO TUBE	ROHR TUYAU	1234 5678	
02A		00H04702121	CTO. PURGADOR PINZA SPURGO PINZA FRENO BRAKE BLEED CLIP ASSY	ABLASSHAHN R-ENS. PURGEUR PINCE	1234 5678	
03A		00006321040	ARANDELA JUNTA RACORD RONDELLA WASHER	SCHEIBE RONDELLE	1234 5678	
04A		00D01100201	DEPOSITO LIQUIDO FRENOS SERBATOIO LIQUIDO FRENO FLUID TUBE TANK	BEHALTER RESERVOIR FLUID TUBE	1234 5678	
05A		00H01101731	PROTECTOR BOMBA PROTEZIONE REAR BRAKE, PROTECTOR	ABDECKUNG PROTECTEUR	1234 5678	
06A		00G01503701	TORNILLO FIJACION VITE SCREW	SCHRAUBE VIS	1234 5678	
07A		00H01001701	CTO. INTERRUPTOR STOP INTERUTTORE FANALINO SWITCH, STOP LIGHT	STOPCHALTER VO. INTERRUPTEUR COMMANDE STOP	1234 5678	
08A		00H01103211	TUBO DEPOSITO A BOMBA TUBO TUBE	ROHR TUYAU	1234 5678	
09A		00H03700131	ABRAZADERA ELASTICA FASCETTA CLAMP	FLANGE BRIDE	1234 5678	
10A		00F00900531	BRIDA BRIGLIA BRIDLE	ZÜGEL BRIDE	1234 5678	
11A		00011041300	TORNILLO AUT. C/CR. NG.4,8X13. VITE SCREW	SCHRAUBE VIS	1234 5678	

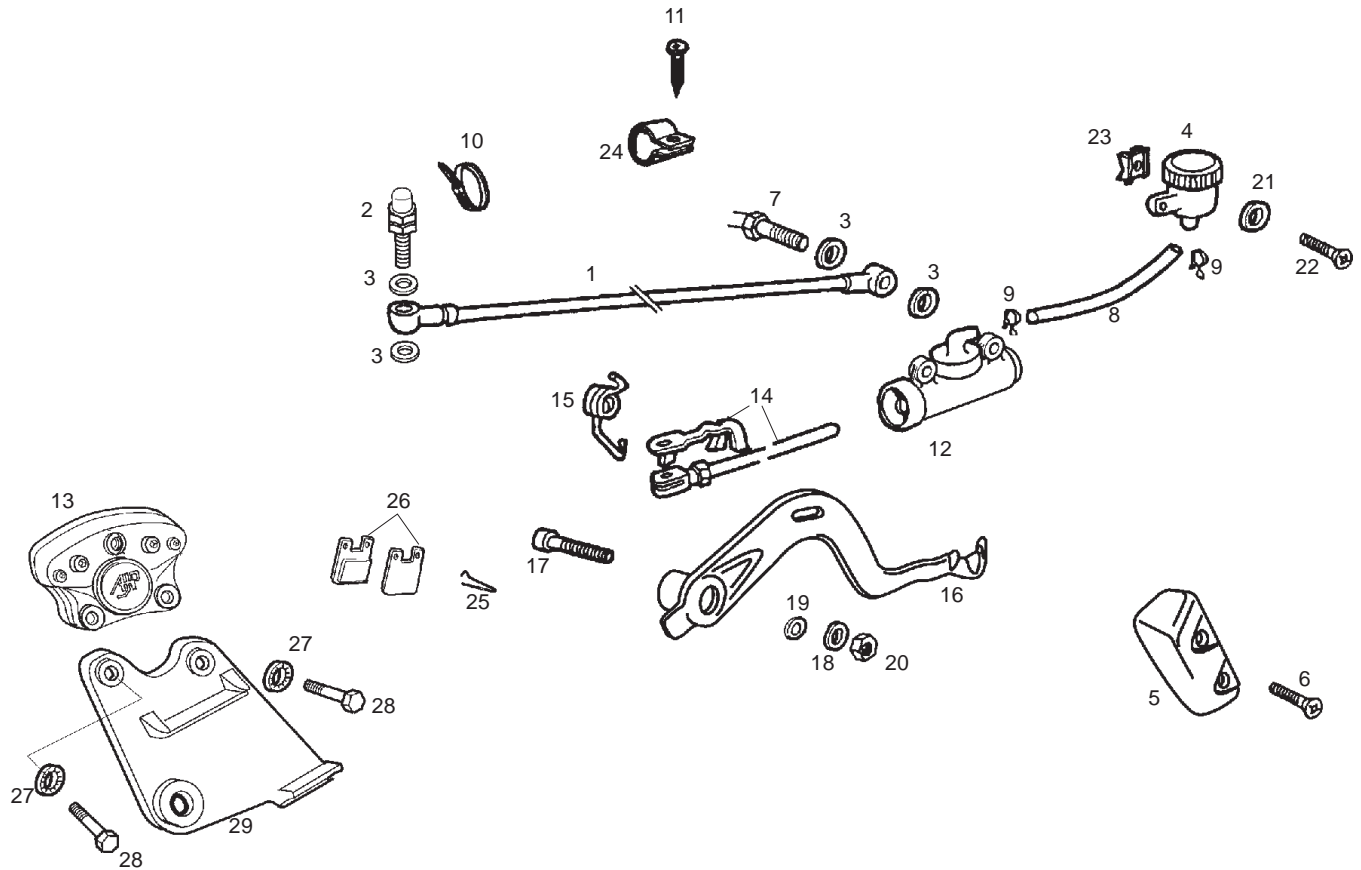


Fig.	Ver.	COD. KOD.	DESCRIPCIÓN DENOMINAZIONE NAME	BEZEICHUNG DESIGNATION	MOD.	NOTAS NOTES NOTA MITSCHRIFT NOTES
12A		00H01106181	CTO BOMBA FRENO TRASERO FRENO POSTERIORE REAR BRAKE CONTROL ASSY	REAR BRAKE CONTROL ASSY. ENSEMBLE COMMANDE FREIN ARRIER	1234 5678	
13A		00H01110581	R-CTO PINZA FRENO TRASERO PINZA REAR CLIP ASSEMBLY	BREMSZANGE HINTEN ETRIER FREIN	1234 5678	
14A		00H01103611	VARILLA BOMBA FRENO TRASERO ASTA POMPA FRENO REAR BRAKE ROD	BREMSSTANGE TIGE DE FREIN ARRIERE	1234 5678	
15A		00H01102072	MUELLE PEDAL FRENO MOLLA SPRING	FEDER RESSORT	1234 5678	
16A		00H01120021	PALANCA FRENO PEDALE FRENO BRAKE PEDAL	FUSSBREMSHEBEL PEDALE DE FREIN AR.	1234 5678	
17A		00H01100172	TORNILLO FIJACION VITE SCREW	SCHRAUBE VIS	1234 5678	
18A		00402080001	ARANDELA PLANA D8 RONDELLA WASHER	SCHEIBE RONDELLE	1234 5678	
19A		00005527540	ARANDELA RONDELLA WASHER	SCHEIBE RONDELLE	1234 5678	
20A		00023108000	TUERCA AUTOBLOCANTE 8M125 DADO NUT	MUTTER ECROU	1234 5678	
21A		00D02600631	ARANDELA RONDELLA WASHER	SCHEIBE RONDELLE	1234 5678	
22A		00012151500	TORNILLO C/RED. ALL.5M100X16 VITE SCREW	SCHRAUBE VIS	1234 5678	

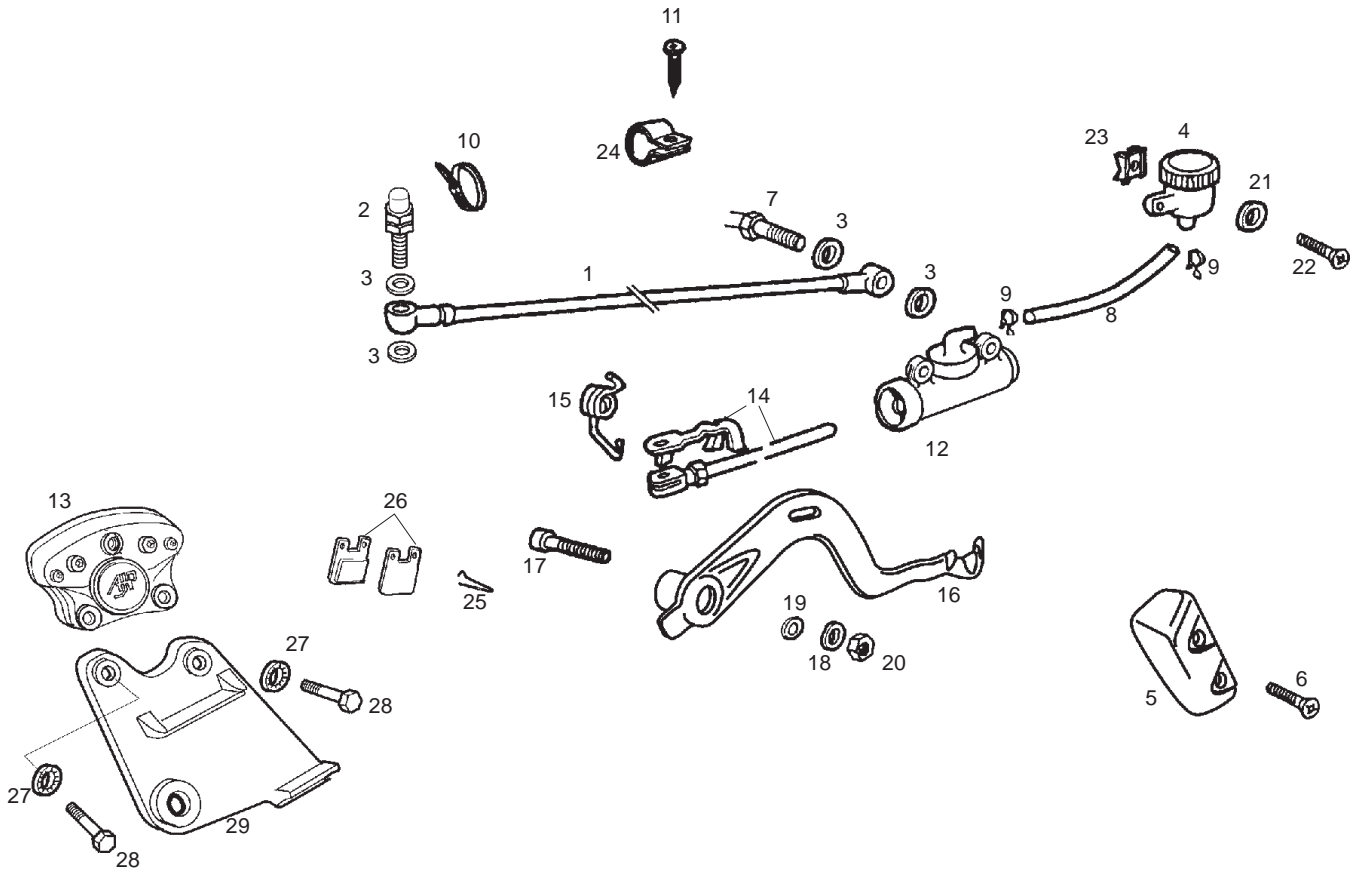


Fig.	Ver.	COD. KOD.	DESCRIPCIÓN DENOMINAZIONE NAME	BEZEICHNUNG DESIGNATION	MOD.	NOTAS NOTES NOTA MITSCHRIFT NOTES
23A		00G04401462	TUERCA FIJACION D5 DADO NUT	MUTTER ECROU	1234 5678	
24A		00H01501811	BRIDA BRIGLIA BRIDLE	ZÜGEL BRIDE	1234 5678	
25A		00H04701171	MUELLE FIJACION PASTILLAS MOLLA SPRING	FEDER RESSORT	1234 5678	
26A		00G04700141	JUEGO PASTILLAS DE FRENO CONG. PASTIGLIE FRENO SET OF BRAKE PADS	DIE GESAMTHEIT BREMSBACKEN ENS. PLAQUETTE DE FREIN	1234 5678	
27A		00034000802	ARANDELA RONDELLA WASHER	SCHEIBE RONDELLE	1234 5678	
28A		00002083001	TORNILLO 8M125X30 VITE SCREW	SCHRAUBE VIS	1234 5678	
29A		00H01303521	SOPORTE PINZA FRENO TRASERO SUPPORTO PINZA REAR BRAKE CALIPER BRACKET	U-GRUPPE HINTERBREMSBACKEN SUPPORT PINCE FREIN	1234 5678	

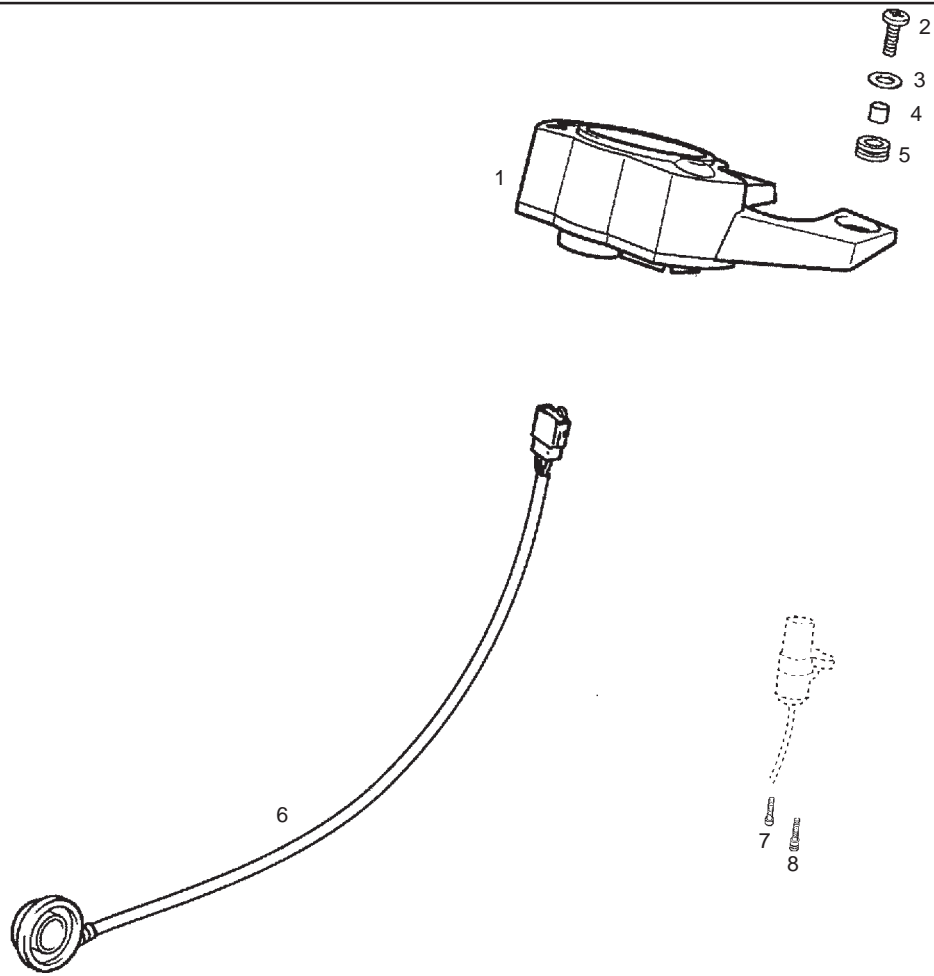


Fig.	Ver.	COD. KOD.	DESCRIPCIÓN DENOMINAZIONE NAME	BEZEICHUNG DESIGNATION	MOD.	NOTAS NOTES NOTA MITSCHRIFT NOTES
01A		00H01633521	CTO TABLIER (KMH) CRUSCOTTO DASH ASSY	INSTRUMENTERHALTER BOITIER TABLEAU BORD		UNTIL FRAME 7H350939
01B		00H01645521	CTO TABLIER (MPH) CRUSCOTTO DASH ASSY	INSTRUMENTERHALTER BOITIER TABLEAU BORD		MILES PER HOUR
01C		00H01644521	CTO TABLIER (KMH) CRUSCOTTO DASH ASSY	INSTRUMENTERHALTER BOITIER TABLEAU BORD		SINCE FRAME 7H350940
02A		00012152000	TORNILLO C/RED.CRUIZ 5M80X20 VITE SCREW	SCHRAUBE VIS	1234 5678	
03A		00D02600631	ARANDELA RONDELLA WASHER	SCHEIBE RONDELLE	1234 5678	
04A		00H01600911	CASQUILLO BRONZINA BUSHING	BUCHSE ENTRETOISE	1234 5678	
05A		00D01500021	PASACABLES PORTACAVI GROMMET	GUMMI PASSE-CABLE	1234 5678	
06A		86137R	CTO.REENVIO RINVIO RETURN UNIT.	RETURN UNIT. RENVOI DE ROUE	1234 5678	
07A		00002082021	TORNILLO 8M125X20 VITE SCREW	SCHRAUBE VIS	1234 5678	
08A		00H06300791	TORNILLO ROMPIENTE VITE SCREW	SCHRAUBE VIS	1234 5678	

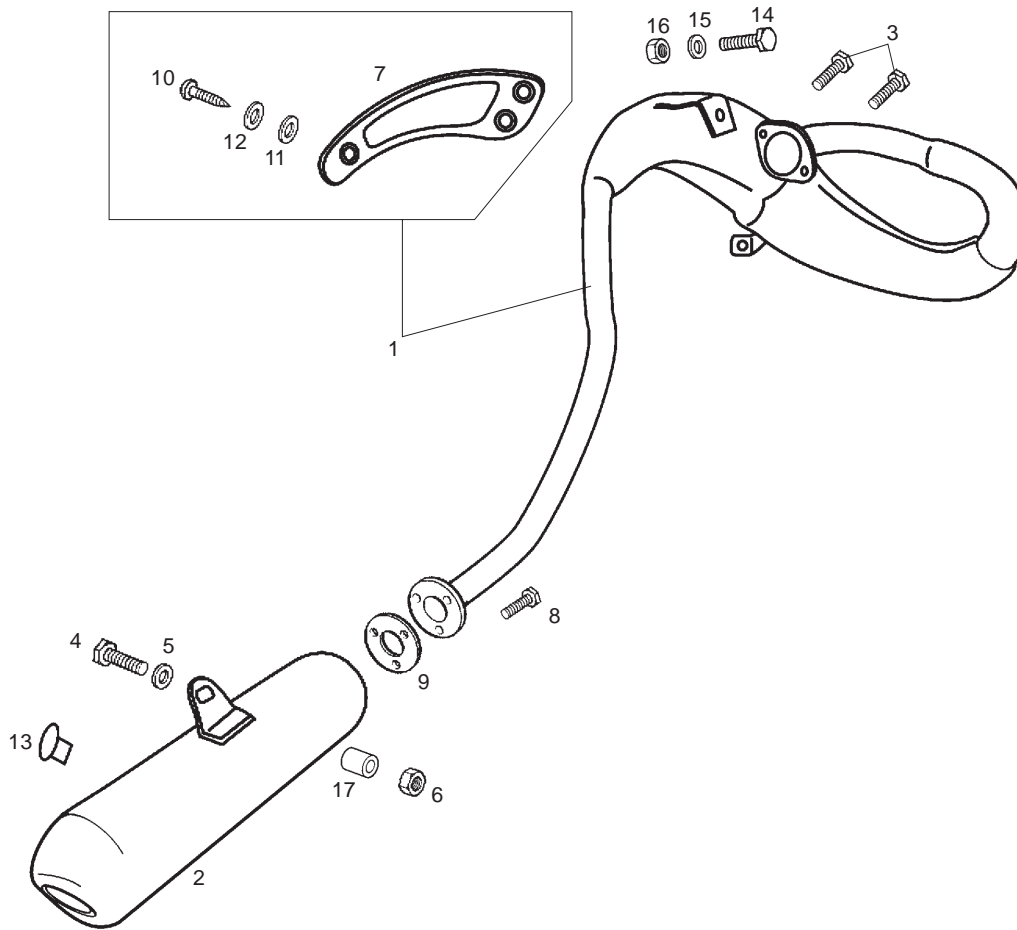


Fig.	Ver.	COD. KOD.	DESCRIPCIÓN DENOMINAZIONE NAME	BEZEICHNUNG DESIGNATION	MOD.	NOTAS NOTES NOTA MITSCHRIFT NOTES
01A		00H03454081	TUBO ESCAPE DRD RACING E2 TUBO SCARICO EXHAUST PIPE	AUSPUFF ENSEMBLE TUBE DIECHAPPEMENT	1234 5678	
02A		86128R	SORDINA SUBCOMP. SORD. EXHAUST TANK	SCHALLDAMPFER SILENCIEUX DIECHAPPEMENT	1234 5678	
03A		00002062011	TORNILLO C/ALLEN.6M100X20 VITE SCREW	SCHRAUBE VIS	1234 5678	
04A		00000002825	TORNILLO C/EXAGONAL 8M125X25 VITE SCREW	SCHRAUBE VIS	1234 5678	
05A		00402080001	ARANDELA D8 RONDELLA WASHER	SCHEIBE RONDELLE	1234 5678	
06A		00023108000	TUERCA AUTOBLOCANTE 8M125 DADO NUT	MUTTER ECROU	1234 5678	
07A		00H01810391	PROTECTOR SILENCIADOR PROTEZIONE SILENZIATORE SILENCER SHIELD	SCHALLDAEMPERSCHUTZ PROTECT. SIL.	1234 5678	
08A		00D05910081	SCTO.TORBILLO 6M100X16 VITE FISSAGGIO SCREW	SCHRAUBE VIS	1234 5678	
09A		00H03404321	JUNTA GUARNIZIONE GASKET	DICHTUNG JOINT	1234 5678	
10A		00000012415	TORNILLO VITE SCREW	SCHRAUBE VIS	1234 5678	
11A		00F04201361	ARANDELA RONDELLA WASHER	SCHEIBE RONDELLE	1234 5678	

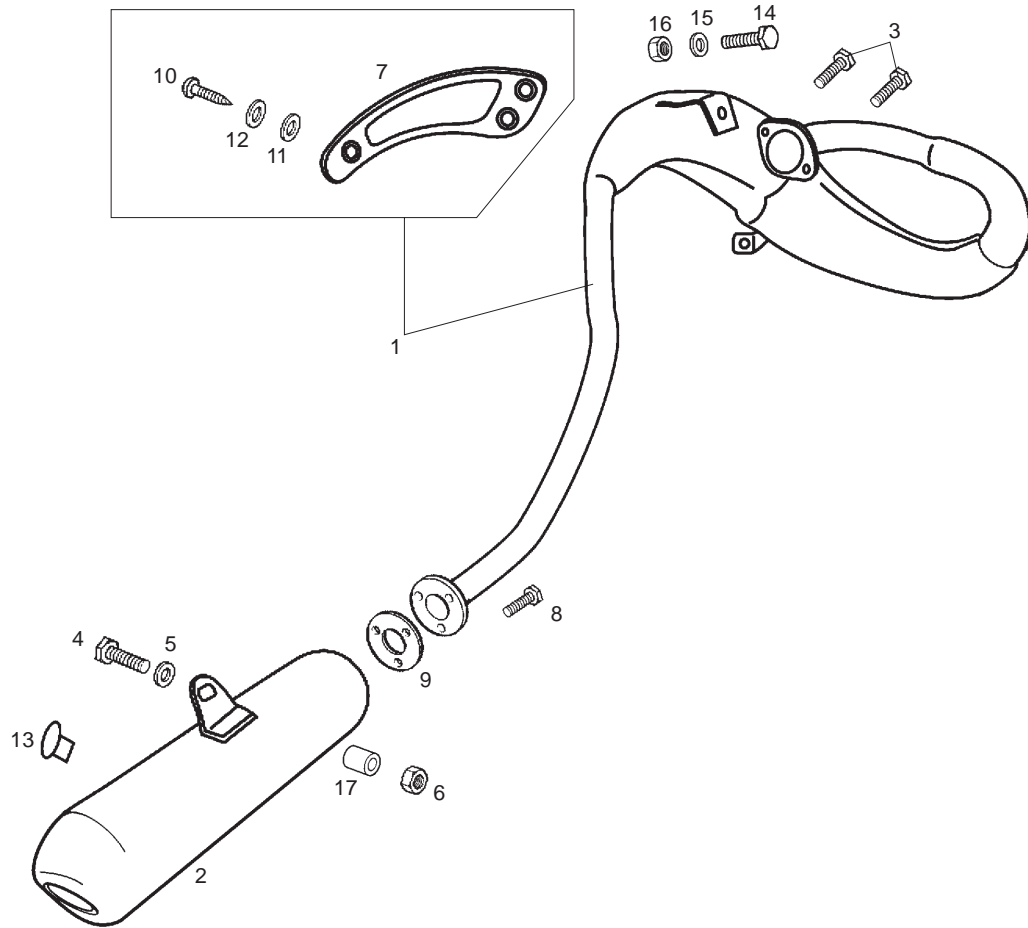
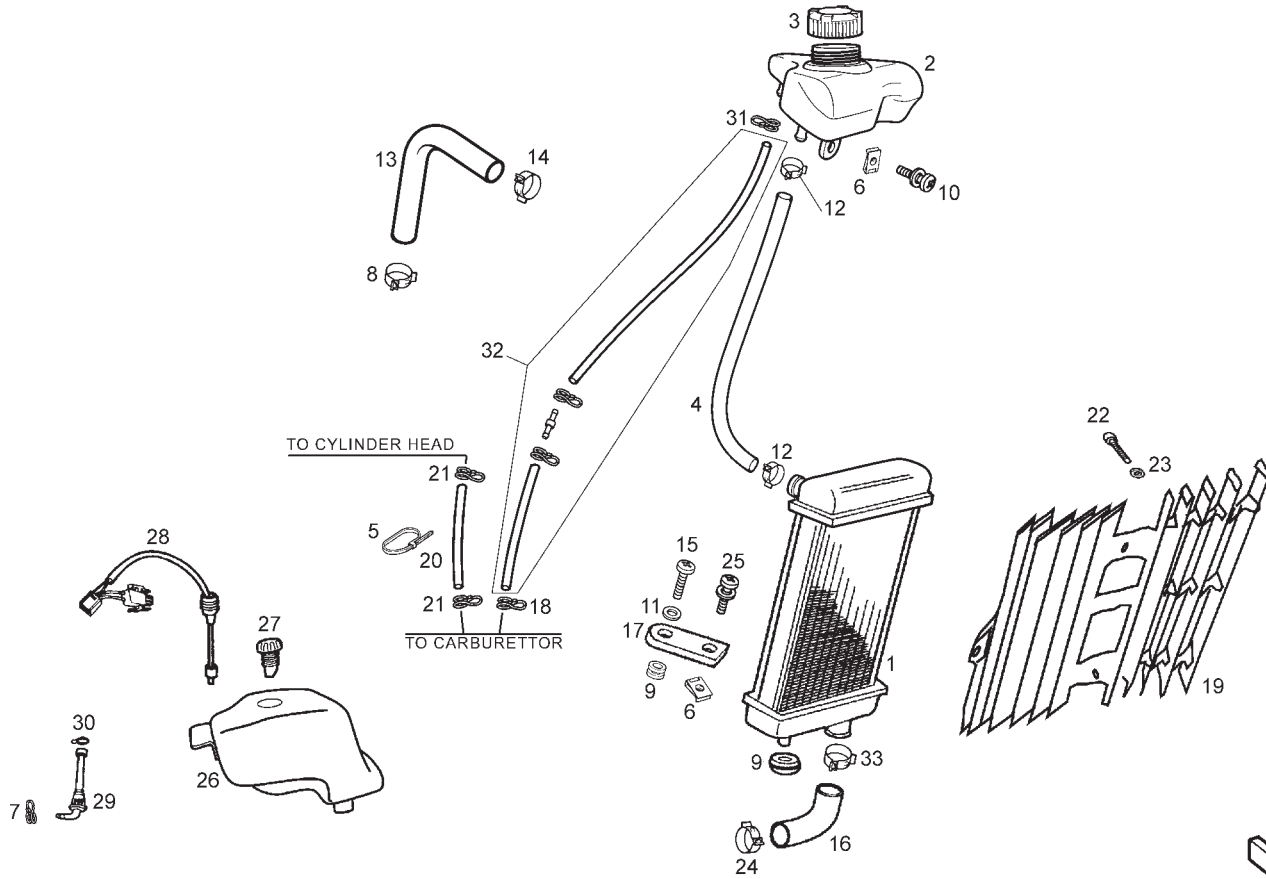


Fig.	Ver.	COD. KOD.	DESCRIPCIÓN DENOMINAZIONE NAME	BEZEICHUNG DESIGNATION	MOD.	NOTAS NOTES NOTA MITSCHRIFT NOTES
12A		00D02600631	ARANDELA RONDELLA WASHER	SCHEIBE RONDELLE	1234 5678	
13A		00G01500951	TOPE GOMA APPOGGIO ZAMPA CAVALLETO SIDE STAND REST	GUMMISTOPPEL APPUI BEQUILLE LATERALE	1234 5678	
14A		00012082001	TORNILLO 8M125X20 VITE SCREW	SCHRAUBE VIS	1234 5678	
15A		00402080001	ARANDELA D8 RONDELLA WASHER	SCHEIBE RONDELLE	1234 5678	
16A		00023108000	TUERCA AUTOBLOCANTE 8M125 DADO NUT	MUTTER ECROU	1234 5678	
17A		863693	CASQUILLO BRONZINA BUSHING	BUCHSE ENTRETOISE	1234 5678	

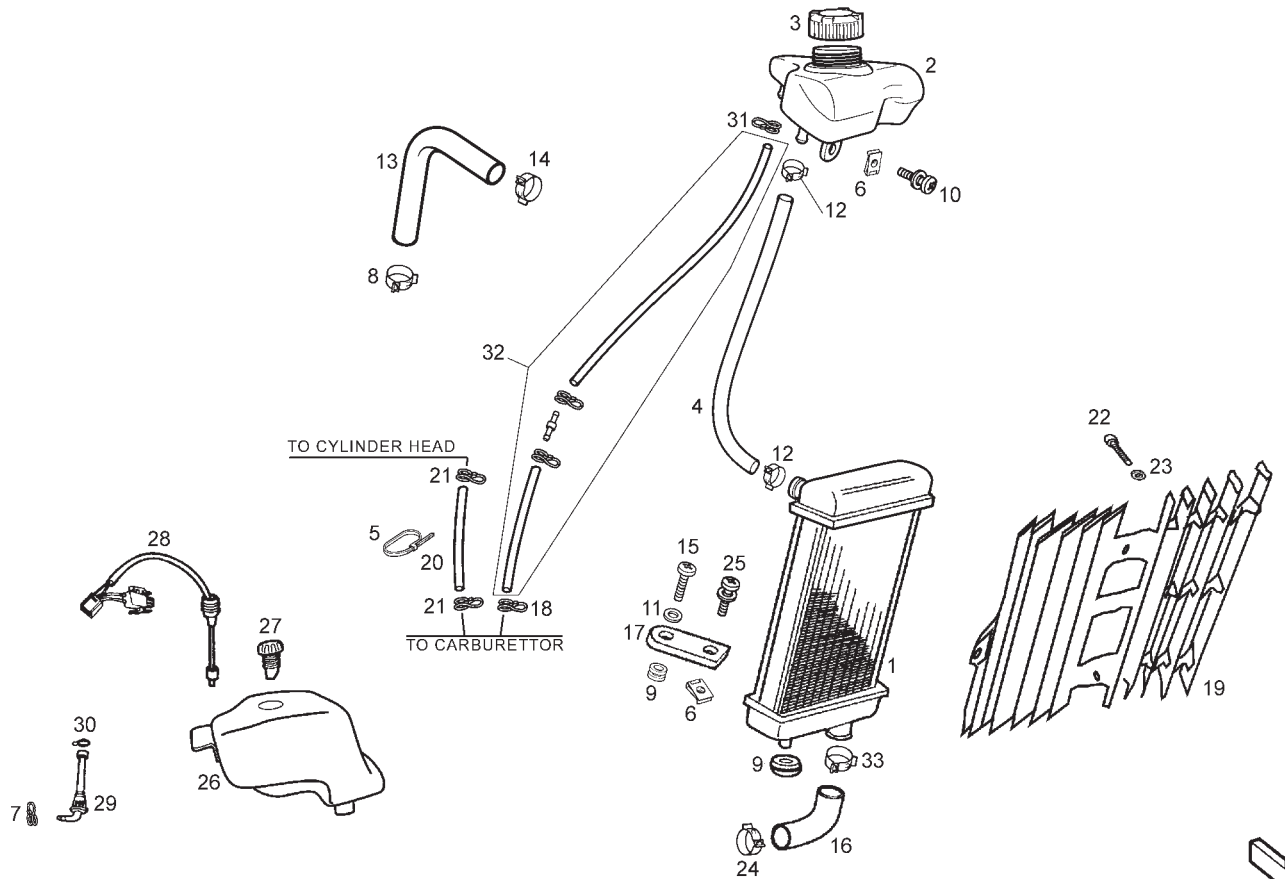


1st VERSION



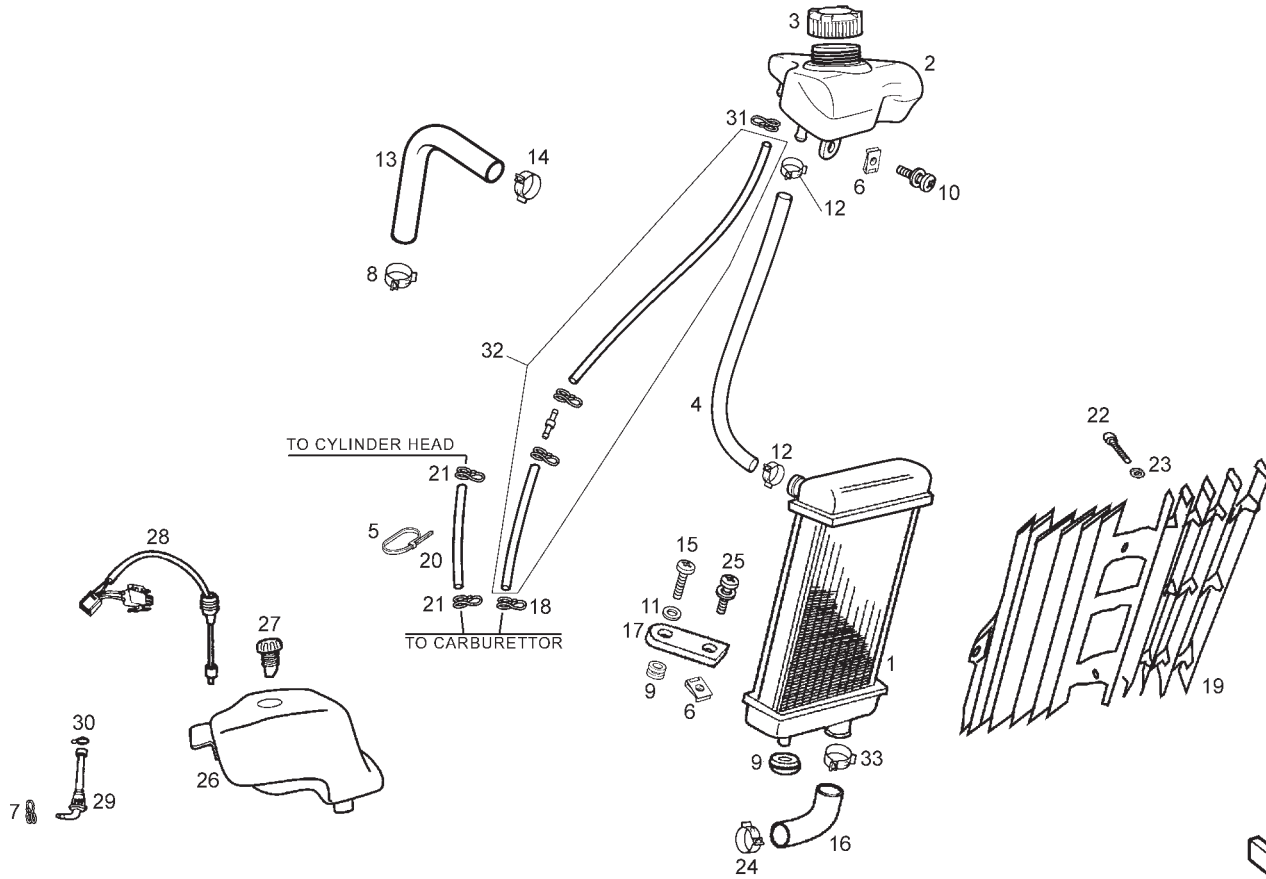
Fig.	Ver.	COD. KOD.	DESCRIPCIÓN DENOMINAZIONE NAME	BEZEICHNUNG DESIGNATION	MOD.	NOTAS NOTES NOTA MITSCHRIFT NOTES
01A		00H03805011	SCTO. RADIADOR SUBRADIATORE RADIATOR ASSY.	RADIATOR ASSY. RADIATEUR	1 2 3 4 5 6	UNTIL FRAME 7H359740
02A		00H03810501	DEPOSITO AGUA RADIADOR SERBATOIO ACQUA RADIATORE WATER TANK	WASSERBEHALTER VASE DI EXPANSION	1 2 3 4 5 6	UNTIL FRAME 7H359740
03A		00H03802472	CTO.TAPON DEPOSITO AGUA TAPPO RADIATORE/SERBATOIO WATER RESERVOIR/RAD CAP ASSY	KUEHLERDECKEL BOUCHON DE RESERVOIR D,EAU	1 2 3 4 5 6	UNTIL FRAME 7H359740
04A		00G03800601	TUBO DEPOSITO-RADIADOR TUBO TUBE	SCHLAUCH TUYAU	1 2 3 4 5 6	UNTIL FRAME 7H359740
05A		00D00900531	BRIDA 200 X 3,6 FLANGIA UNIONE CAVI BLACK CABLE TIE	KABELBINDER COLLIER	1 2 3 4 5 6	UNTIL FRAME 7H359740
06A		00D01501371	TUERCA FIJ. D6 DADO NUT	MUTTER ECROU	1 2 3 4 5 6	UNTIL FRAME 7H359740
07A		00F03710131	ABRAZADERA ELASTICA FASCETTA CLAMP	FLANGE BRIDE	1 2 3 4 5 6	UNTIL FRAME 7H359740
08A		00H03802751	ABRAZADERA 24/8W4 FASCETTA CLAMP	BEF. SCHELLE COLLIER	1 2 3 4 5 6	UNTIL FRAME 7H359740
09A		00008915020	PROTECCION CABLES PROTEZIONE CAVI RUBBER,CABLE PROTECTOR	GUMMI PASSE-CABLE	1 2 3 4 5 6	UNTIL FRAME 7H359740
10A		00H05900021	SCTO TORNILLO 6M100X16 VITE SCREW	SCHRAUBE VIS	1 2 3 4 5 6	UNTIL FRAME 7H359740
11A		00D01500552	CAZOLETA SCADELLINO FISSAGGIO HOUSING EXHAUST PIPE SUPPORT	ABDECKSCHEIBE CUVETTE	1 2 3 4 5 6	UNTIL FRAME 7H359740

1st VERSION



FWD

Fig.	Ver.	COD. KOD.	DESCRIPCIÓN DENOMINAZIONE NAME	BEZEICHNUNG DESIGNATION	MOD.	NOTAS NOTES NOTA MITSCHRIFT NOTES
12A		00G03801701	ABRAZADERA FASCETTA FISSAGGIO MANICA RADI CLAMP FASTERING RADIATOR BUSHI	OIL TANK FLANGE TUBE BRIDE TUBE RESPIRATION RĪSERVO	1 2 3 4 5 6	UNTIL FRAME 7H359740
13A		00H03808021	TUBO CULATA-RADIADOR TUBO TESTATA-RACCORDO TERMOCON CYLINDER HEAD PIPE-TERMOCONTACT	WASSERSCHLAUCH TUBE	1 2 3 4 5 6	UNTIL FRAME 7H359740
14A		00H03800751	ABRAZADERA 21/8W4 FLANGIA FISSAGGIO SECURING CLAMP	BEF.-SHELLE COLLIER	1 2 3 4 5 6	UNTIL FRAME 7H359740
15A		00092061214	TORNILLO C/RED CRUZ 6M100X12 VITE SCREW	SCHRAUBE VIS	1 2 3 4 5 6	UNTIL FRAME 7H359740
16A		00H03802031	TUBO BOMBA-RADIADOR TUBO REFRIGERAZIONE POMPA-RADI RADIATOR PUMP RUBBER TUBE	KUHLMITTELSCHLAUCH PUMPE K TUBE POMPE-RADIATEUR	1 2 3 4 5 6	UNTIL FRAME 7H359740
17A		00G02200692	OREJA SUP.SOPORTE RADIADOR PIASTRA SUPPORTO SUPERIORE UPPER RADIATOR SUPPORT	OESE KUEHLERBLOCK OREILLE SUPERIEURE SUPPORT RAD	1 2 3 4 5 6	UNTIL FRAME 7H359740
18A		00H00400501	ABRAZADERA ELASTICA 7,8-8,3 FASCETTA CLAMP	FLANGE BRIDE	1 2 3 4 5 6	UNTIL FRAME 7H359740
19A		00H03805301	REJILLA RADIADOR GRIGLIA RADIATORE RADIATOR GRID	RADIATOR RADIATEUR	1 2 3 4 5 6	UNTIL FRAME 7H359740
20A		00H03801961	TUBO CARBURADOR A RACORD CULATA TUBO TUBE	SCHLAUCH TUYAU	1 2 3 4 5 6	UNTIL FRAME 7H359740
21A		00H00400501	ABRAZADERA ELASTICA 7,8-8,3 FASCETTA CLAMP	FLANGE BRIDE	1 2 3 4 5 6	UNTIL FRAME 7H359740
22A		00011141300	TORNILLO AUT.C/CR.NG.4,8X13 VITE SCREW	SCHRAUBE VIS	1 2 3 4 5 6	UNTIL FRAME 7H359740



1st VERSION



Fig.	Ver.	COD. KOD.	DESCRIPCIÓN DENOMINAZIONE NAME	BEZEICHUNG DESIGNATION	MOD.	NOTAS NOTES NOTA MITSCHRIFT NOTES
23A		00D02600631	ARANDELA RONDELLA WASHER	SCHEIBE RONDELLE	1 2 3 4 5 6	UNTIL FRAME 7H359740
24A		00H03802091	ABRAZADERA 23/8 W4 FASCETTA CLAMP	FLANGE BRIDE	1 2 3 4 5 6	UNTIL FRAME 7H359740
25A		00D05900031	SCTO TORNILLO 6M100X10 VITE SCREW	SCHRAUBE VIS	1 2 3 4 5 6	UNTIL FRAME 7H359740
26A		00H03704081	SCTO.DEPOSITO ACEITE SUBSERBATOIO OLIO SE OIL, TANK	OILTANK RESERVOIR D,HUILE	1 2 3 4 5 6	UNTIL FRAME 7H359740
27A		00F03710241	CTO.TAPON DEPOSITO ACEITE TAPPO SERBATOIO OLIO OIL RESERVOIR FILLER PLUG ASSY	STOPFEN OELTANK ENS. BOUCHON RESERV.HUILE S	1 2 3 4 5 6	UNTIL FRAME 7H359740
28A		00H03703051	CTO. INDICADOR NIVEL ACEITE TAPPO SERBATOIO OLIO OIL RESERVOIR FILLER PLUG ASSY	OLSTANDSGEBER NIVEAU D#HUILE	1 2 3 4 5 6	UNTIL FRAME 7H359740
29A		00H03701411	CTO FILTRO ACEITE. FILTRO OLIO BY-PAS OIL FILTER	FILTER FILTRE A HUILE	1 2 3 4 5 6	UNTIL FRAME 7H359740
30A		00G00400501	ABRAZADERA FIJ. GRIFO FASCETTA ELASTICA CLAMP	BEF.-SCHELLE ENTRETOISE	1 2 3 4 5 6	UNTIL FRAME 7H359740
31A		00D03700131	ABRAZADERA ELASTICA 9,8-10,4 FASCETTA CLAMP	FLANGE BRIDE	1 2 3 4 5 6	UNTIL FRAME 7H359740
32A		00H03804971	SCTO TUBO DEPOSITO EXP-CARB. TUBO TUBE	SCHLAUCH TUYAU	1 2 3 4 5 6	UNTIL FRAME 7H359740
33A		00H03800751	ABRAZADERA 21/8 W4 FASCETTA CLAMP	FLANGE BRIDE	1 2 3 4 5 6	UNTIL FRAME 7H359740

2nd VERSION

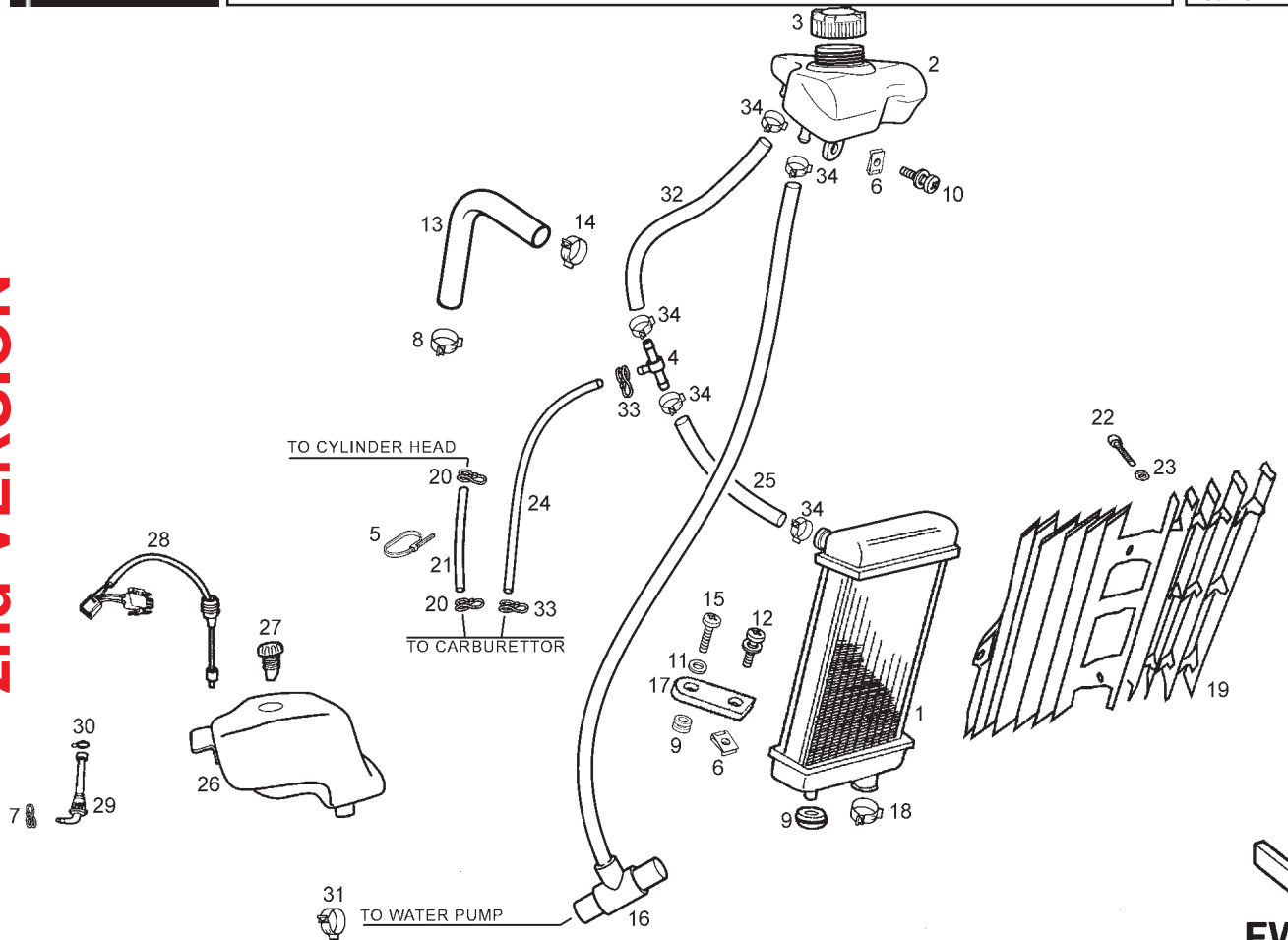
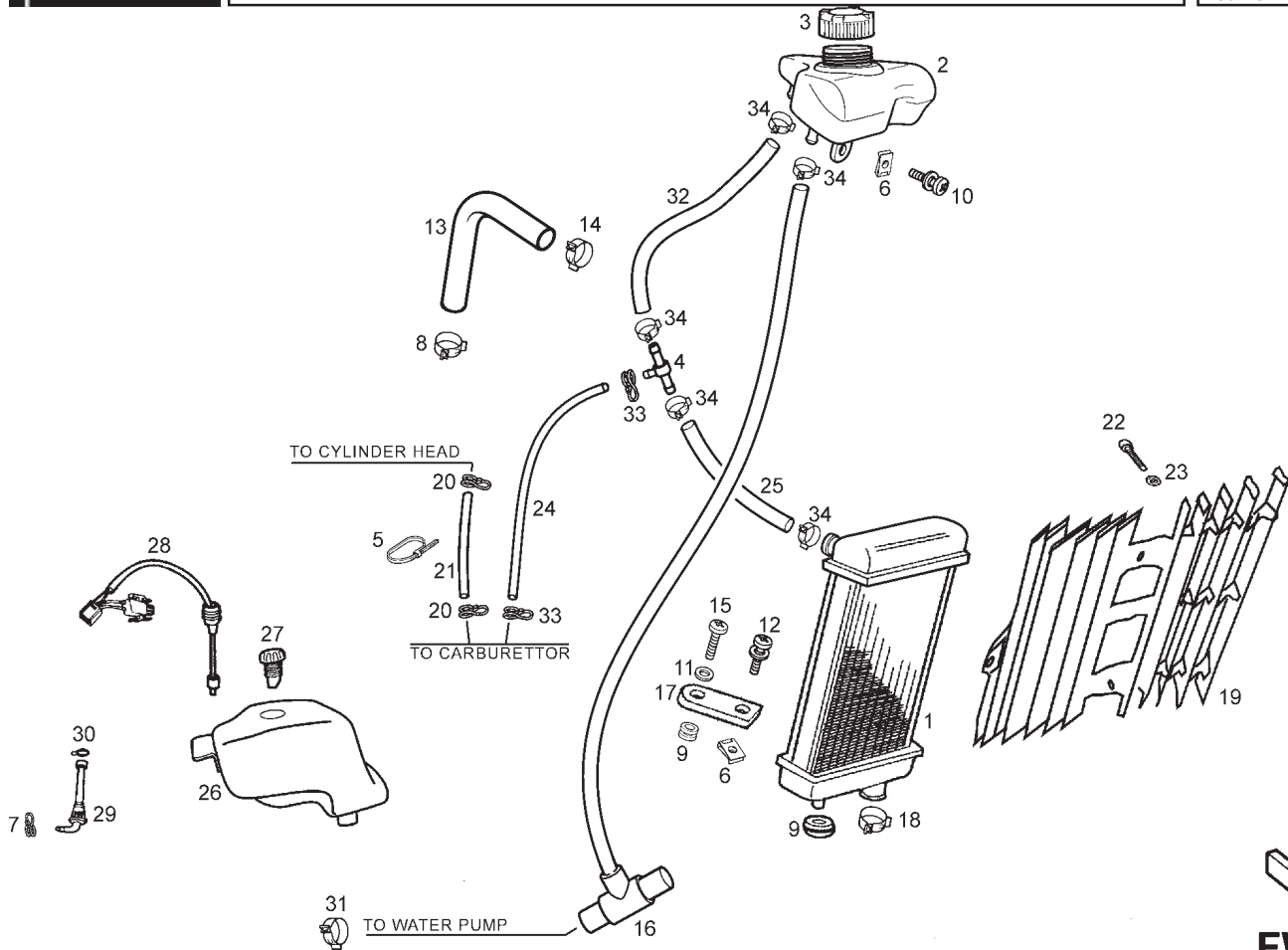


Fig.	Ver.	COD. KOD.	DESCRIPCIÓN DENOMINAZIONE NAME	BEZEICHNUNG DESIGNATION	MOD.	NOTAS NOTES NOTA MITSCHRIFT NOTES
01A		00H03805011	SCTO. RADIADOR SUBRADIATORE RADIATOR ASSY.	RADIATOR ASSY. RADIATEUR	1234 5678	SINCE FRAME 7H359741
02A		00H03810501	DEPOSITO AGUA RADIADOR SERBATOIO ACQUA RADIATORE WATER TANK	WASSERBEHALTER VASE DI EXPANSION	1234 5678	SINCE FRAME 7H359741
03A		00H03802472	CTO.TAPON DEPOSITO AGUA TAPPO RADIATORE/SERBATOIO WATER RESERVOIR/RAD CAP ASSY	KUEHLERDECKEL BOUCHON DE RESERVOIR D,EAU	1234 5678	SINCE FRAME 7H359741
04A		862541	RACORD «T» RACCORDO RACORD	RACORD RACCORD	1234 5678	SINCE FRAME 7H359741
05A		00D00900531	BRIDA 200 X 3,6 FLANGIA UNIONE CAVI BLACK CABLE TIE	KABELBINDER COLLIER	1234 5678	SINCE FRAME 7H359741
06A		00D01501371	TUERCA FIJ. D6 DADO NUT	MUTTER ECROU	1234 5678	SINCE FRAME 7H359741
07A		00F03710131	ABRAZADERA ELASTICA FASCETTA CLAMP	FLANGE BRIDE	1234 5678	SINCE FRAME 7H359741
08A		00H03802751	ABRAZADERA 24/8W4 FASCETTA CLAMP	BEF. SCHELLE COLLIER	1234 5678	SINCE FRAME 7H359741
09A		00008915020	PROTECCION CABLES PROTEZIONE CAVI RUBBER,CABLE PROTECTOR	GUMMI PASSE-CABLE	1234 5678	SINCE FRAME 7H359741
10A		00D05900081	SCTO.TORNILLO 6M100X16 VITE SCREW	SCHRAUBE VIS	1234 5678	SINCE FRAME 7H359741
11A		00D01500552	CAZOLETA SCADELLINO FISSAGGIO HOUSING EXHAUST PIPE SUPPORT	ABDECKSCHEIBE CUVETTE	1234 5678	SINCE FRAME 7H359741



2nd VERSION



Fig.	Ver.	COD. KOD.	DESCRIPCIÓN DENOMINAZIONE NAME	BEZEICHUNG DESIGNATION	MOD.	NOTAS NOTES NOTA MITSCHRIFT NOTES
12A		00002061011	TORNILLO 6M100X10 VITE SCREW	SCHRAUBE VIS	1 2 3 4 5 6 7 8	SINCE FRAME 7H359741
13A	01	00H03808021	TUBO CULATA-RADIADOR TUBO TESTATA-RACCORDO TERMOCON CYLINDER HEAD PIPE-TERMOCONTACT	WASSERSCHLAUCH TUBE	1 2 3 4 5 6 7 8	SINCE FRAME 7H359741
13A		86138R	TUBO CULATA-RADIADOR TUBO TESTATA-RACCORDO TERMOCON CYLINDER HEAD PIPE-TERMOCONTACT	WASSERSCHLAUCH TUBE	1 2 3 4 5 6 7 8	SINCE FRAME 7H359741
14A		00H03800751	ABRAZADERA 21/8W4 FLANGIA FISSAGGIO SECURING CLAMP	BEF.-SHELLE COLLIER	1 2 3 4 5 6 7 8	SINCE FRAME 7H359741
15A		00000004612	TORNILLO C/ALLEN 6M100X12 VITE SCREW	SCHRAUBE VIS	1 2 3 4 5 6 7 8	SINCE FRAME 7H359741
16A		862493	TUBO RADIADOR A BOMBA/DEPOSITO TUBO REFRIGERAZIONE POMPA-RADI RADIATOR PUMP RUBBER TUBE	KUHLMITTELSCHLAUCH PUMPE K TUBE POMPE-RADIATEUR	1 2 3 4 5 6 7 8	SINCE FRAME 7H359741
17A		00G02200692	OREJA SUP.SOPORTE RADIADOR PIASTRA SUPPORTO SUPERIORE UPPER RADIATOR SUPPORT	OESE KUEHLERBLOCK OREILLE SUPERIEURE SUPPORT RAD	1 2 3 4 5 6 7 8	SINCE FRAME 7H359741
18A		00H03800751	ABRAZADERA 21/8 W4 FASCETTA CLAMP	FLANGE BRIDE	1 2 3 4 5 6 7 8	SINCE FRAME 7H359741
19A		00H03805301	REJILLA RADIADOR GRIGLIA RADIATORE RADIATOR GRID	RADIATOR RADIATEUR	1 2 3 4 5 6 7 8	SINCE FRAME 7H359741
20A		00H00400501	ABRAZADERA ELASTICA 7,8-8,3 TUBO TUBE	SCHLAUCH TUYAU	1 2 3 4 5 6 7 8	SINCE FRAME 7H359741
21A		00H03801961	TUBO CARBURADOR A RACORD CULATA FASCETTA CLAMP	FLANGE BRIDE	1 2 3 4 5 6 7 8	SINCE FRAME 7H359741

2nd VERSION

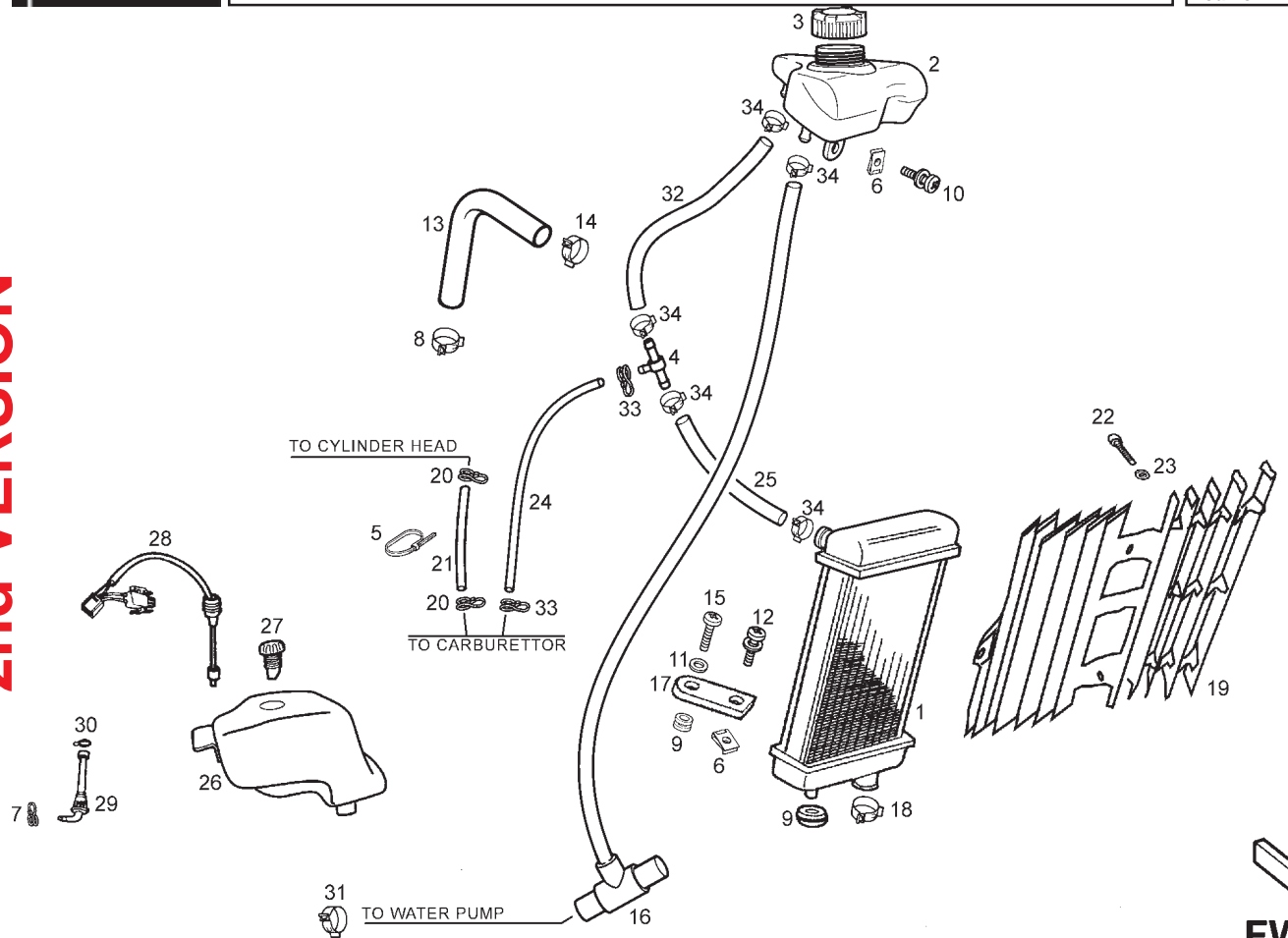
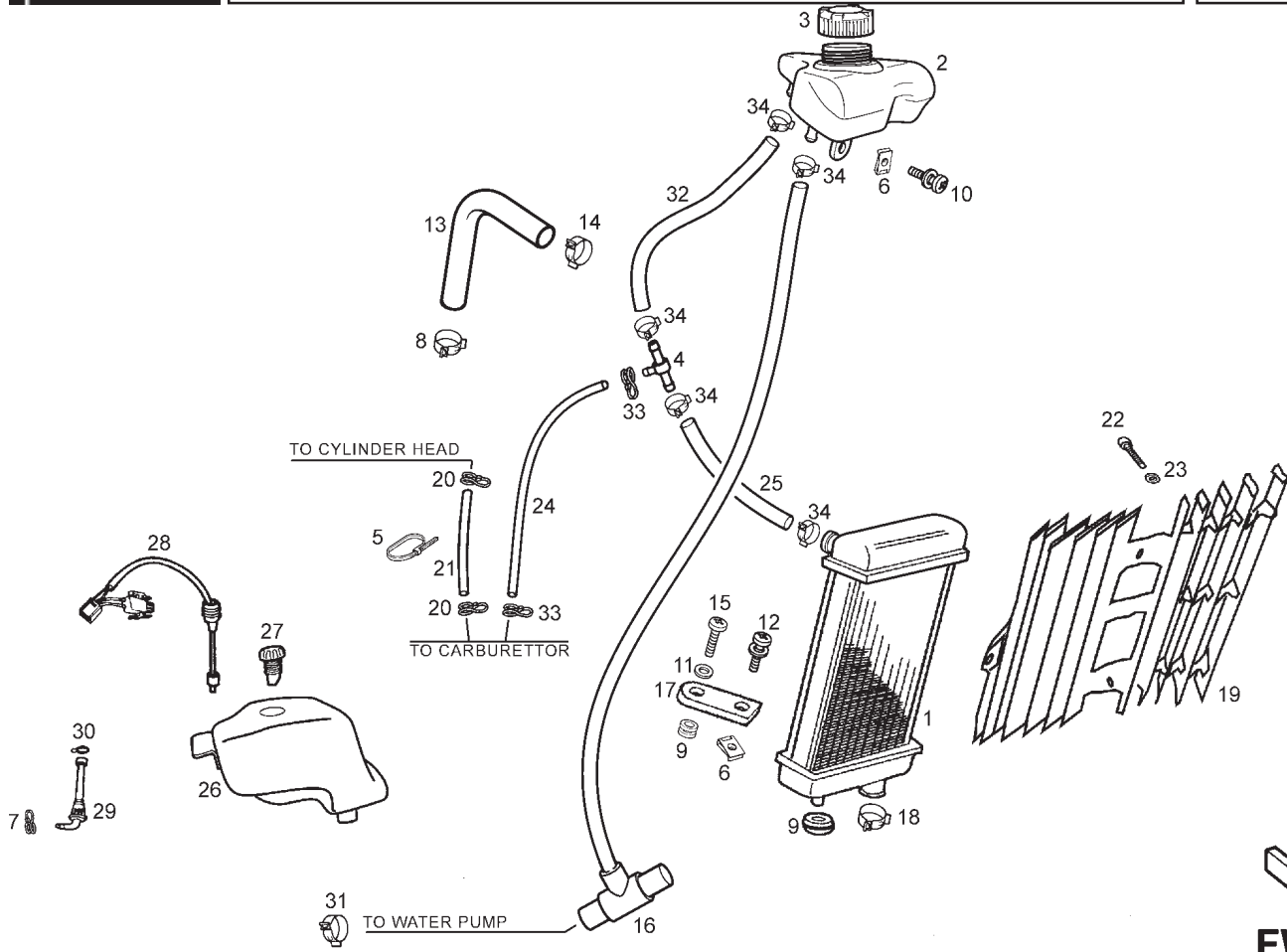


Fig.	Ver.	COD. KOD.	DESCRIPCIÓN DENOMINAZIONE NAME	BEZEICHUNG DESIGNATION	MOD.	NOTAS NOTES NOTA MITSCHRIFT NOTES
22A		00011141300	TORNILLO AUT.C/CR.NG.4,8X13 VITE SCREW	SCHRAUBE VIS	1234 5678	SINCE FRAME 7H359741
23A		00D02600631	ARANDELA RONDELLA WASHER	SCHEIBE RONDELLE	1234 5678	SINCE FRAME 7H359741
24A		862543	TUBO RACORD A CARBURADOR TUBO TUBE	SCHLAUCH TUYAU	1234 5678	SINCE FRAME 7H359741
25A		862544	TUBO RACORD A RADIADOR TUBO TUBE	SCHLAUCH TUYAU	1234 5678	SINCE FRAME 7H359741
26A		00H03704081	SCTO.DEPOSITO ACEITE SUBSERBATOIO OLIO SE OIL, TANK	OILTANK RESERVOIR D,HUILE	1234 5678	SINCE FRAME 7H359741
27A		00F03710241	CTO.TAPON DEPOSITO ACEITE TAPPO SERBATOIO OLIO OIL RESERVOIR FILLER PLUG ASSY	STOPFEN OELTANK ENS. BOUCHON RESERV.HUILE S	1234 5678	SINCE FRAME 7H359741
28A		00H03703051	CTO. INDICADOR NIVEL ACEITE TAPPO SERBATOIO OLIO OIL RESERVOIR FILLER PLUG ASSY	OLSTANDSGEBER NIVEAU D#HUILE	1234 5678	SINCE FRAME 7H359741
29A		00H03701411	CTO.FILTRO ACEITE. FILTRO OLIO BY-PAS OIL FILTER	FILTER FILTRE A HUILLE	1234 5678	SINCE FRAME 7H359741
30A		00G00400501	ABRAZADERA FIJ. GRIFO FASCETTA ELASTICA CLAMP	BEF.-SCHELLE ENTRETOISE	1234 5678	SINCE FRAME 7H359741
31A		00H03800751	ABRAZADERA 21/8 W4 FASCETTA CLAMP	FLANGE BRIDE	1234 5678	SINCE FRAME 7H359741
32A		862542	TUBO DEPOSITO A RACORD TUBO TUBE	SCHLAUCH TUYAU	1234 5678	SINCE FRAME 7H359741



2nd VERSION



Fig.	Ver.	COD. KOD.	DESCRIPCIÓN DENOMINAZIONE NAME	BEZEICHNUNG DESIGNATION	MOD.	NOTAS NOTES NOTA MITSCHRIFT NOTES
33A		00H00400501	ABRAZADERA ELASTICA FASCETTA CLAMP	FLANGE BRIDE	1 2 3 4 5 6 7 8	SINCE FRAME 7H359741
34A		00G03801701	ABRAZADERA 13/8 W4 FASCETTA CLAMP	FLANGE BRIDE	1 2 3 4 5 6 7 8	SINCE FRAME 7H359741

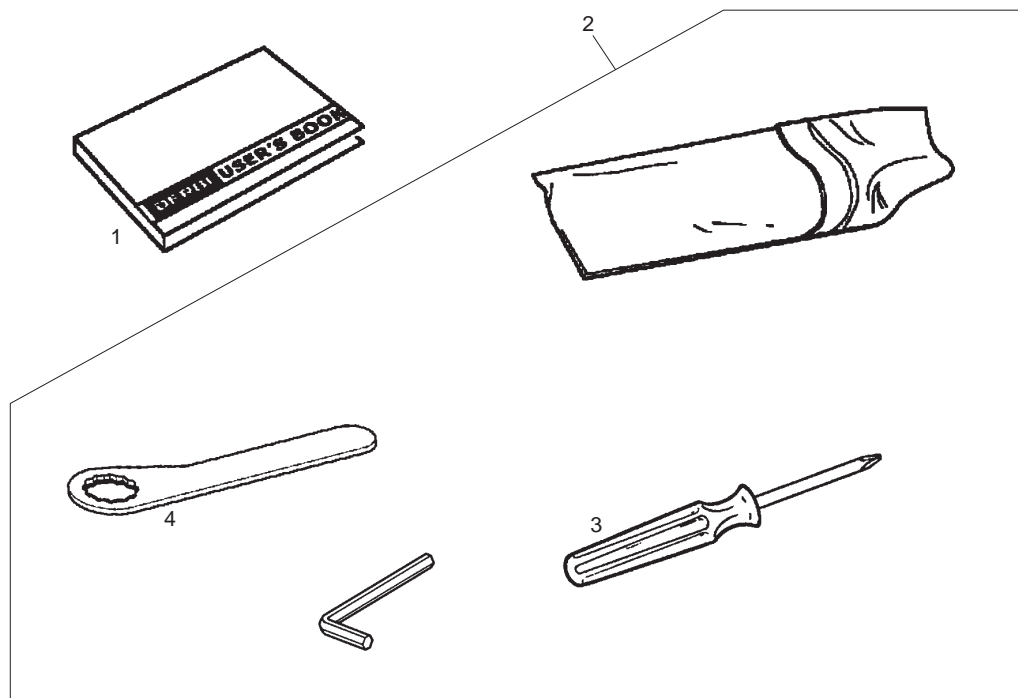


Fig.	Ver.	COD. KOD.	DESCRIPCIÓN DENOMINAZIONE NAME	BEZEICHNUNG DESIGNATION	MOD.	NOTAS NOTES NOTA MITSCHRIFT NOTES
01A		00H05155121	MANUAL INSTRUCCIONES LIBRETTI DI ISTRUZIONI USER'S BOOK	BEDIENUNGSANLEITUNG MANUEL D'INSTRUCTIONS	1234 5678	
02A		00H05101561	CTO BOLSA HERRAMIENTAS SACCO FERRI TOOL POUCH	WERKZEUGTASCHE TROUSSE A OUTILS	1234 5678	
03A		00005551290	DESTORNILLADOR. CACCIAVITE SCREW DRIVER	SCHRAUBENZIEHER TOURNEVIS	1234 5678	
04A		00H05101011	SCTO.LLAVE BUJIA SUBCHIAVE CANDELA SE SPARK PLUG	ZUND KERZENSCHLUSSEL CLE A BOUGIE	1234 5678	

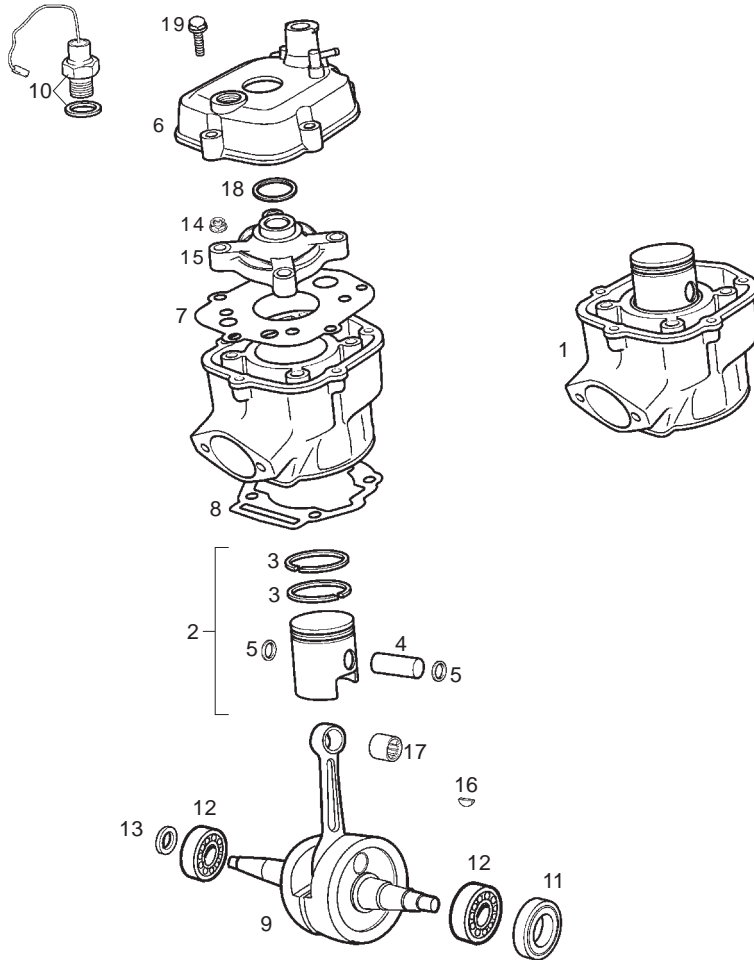


Fig.	Ver.	COD. KOD.	DESCRIPCIÓN DENOMINAZIONE NAME	BEZEICHNUNG DESIGNATION	MOD.	NOTAS NOTES NOTA MITSCHRIFT NOTES
01A		847508	R-CTO CILINDRO PISTON COMP.CILINDRO PISTONE CYLINDER PISTON ASSEMBLY	ZYLINDER UND KOLBEN CYLINDRE ET PISTON COMPLET	1234 5678	
02A		8472625001	CTO.PISTON (A) PISTONE (A) PISTON (A)	KOLBEN KOMPL.(A) PISTON-COMPLET (A)	1234 5678	
02B		8472625002	CTO.PISTON (B) PISTONE (B) PISTON (B)	KOLBEN KOMPL. (B) PISTON-COMPLET (B)	1234 5678	
02C		8472625003	CTO.PISTON (C) PISTONE (C) PISTON (C)	KOLBEN KOMPL. (C) PISTON-COMPLET (C)	1234 5678	
02D		8472625004	CTO.PISTON (D) PISTONE (D) PISTON (D)	KOLBEN KOMPL. (D) PISTON-COMPLET (D)	1234 5678	
03A		847006	R-ARO PISTON.SENDA R-SEGMENTO PISTONE PISTON RING	KOLBENDICHTRING SEGMENT DE PISTON	1234 5678	
04A		847012	R-BULON PISTON SPINOTTO PISTONE PISTON PIN	KOLBENBOLZEN AXE PISTON	1234 5678	
05A		847178	R-ANILLO BULON R-SEGMENTO SPINOTTO CIRCLIP, PISTON PIN	SICHERUNGSRING CLIPS AXE PISTON	1234 5678	
06A		CM151902	SCTO.TAPA CULATIN COPERCHIO TESTA CYLINDER HEAD COVER	ZYLINDERKOPF DECKEL COUVERCLE CULASSE	1234 5678	
07A		847009	JUNTA CULATA CILINDRO GUARNIZIONE TESTA GASKET CYLINDER HEAD	ZYLINDERKOPFDICHTUNG JOINT DE CULASSE	1234 5678	
08A		847014	JUNTA CILINDRO GUARNIZIONE CILINDRO GASKET, CYLINDER	ZYLINDERPUBDICHTUNG JOINT DE CYLINDRE	1234 5678	

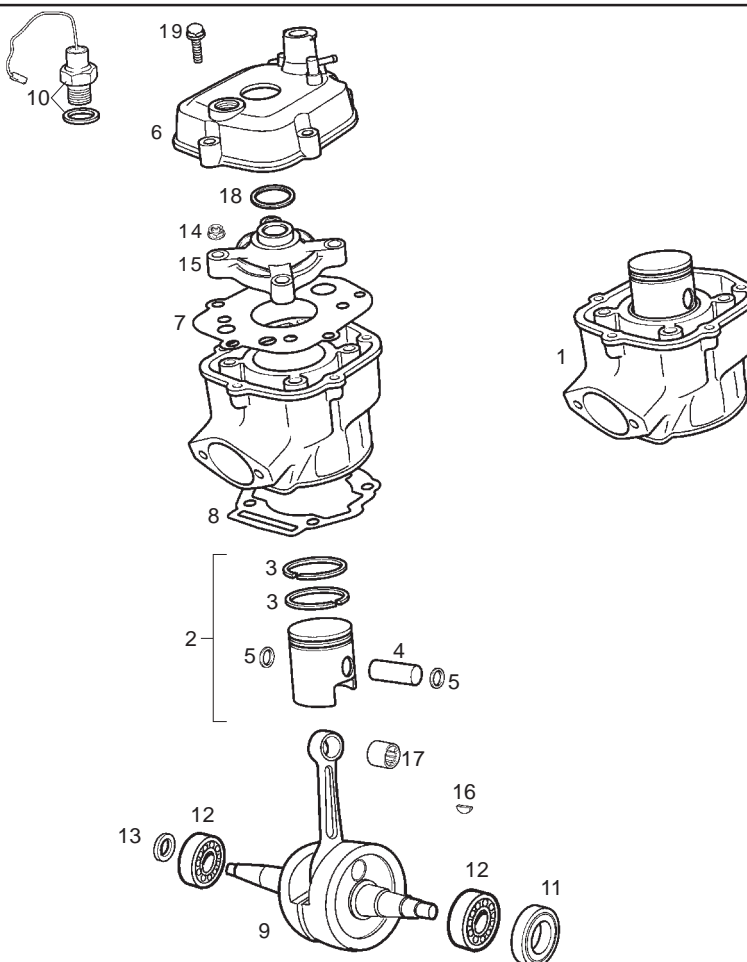


Fig.	Ver.	COD. KOD.	DESCRIPCIÓN DENOMINAZIONE NAME	BEZEICHUNG DESIGNATION	MOD.	NOTAS NOTES NOTA MITSCHRIFT NOTES
09A		847026	CTO CIGÜEÑAL-BIELA ALBERO MOTORE CRANK SHAFT ROD	KURBELWELLE VILEBREQUIN COMPLET	1234 5678	
10A		847010	TERMOCONTACTO TERMOCONTATTO TERMOCONTACT	THERMOKONTAKT TERMOCONTATTO	1234 5678	
11A		847020	RETEN CIGUEÑAL GIUNTO TENUTA SEAL	DICHTRING JOINT	1234 5678	
12A		847172	COJINETE CUSCINETTO BEARING	LAGER COUSSINET	1234 5678	
13A		847020	RETEN CIGUEÑAL GIUNTO TENUTA SEAL	DICHTRING JOINT	1234 5678	
14A		436947	TUERCA EXAGONAL C/BRIDA 7M100 DADO NUT	MUTTER ECROU	1234 5678	
15A		847008	CULATIN TESTA CYLINDER HEAD	ZYLINDERKOPF CULASSE	1234 5678	
16A		847215	CHAVETA VOLANTE MAGNETICO SPINA KEY	KEIL CLAVETTE	1234 5678	
17A		847529	JAULA PIE BIELA GABBIA PIEDE BIELLA BEARING, PISTON PIN	NADELLAGER CAGE A AIGUILLE DE PIED DE	1234 5678	
18A		847007	JUNTA TORICA CULATIN GUARNIZIONE TESTA GASKET CYLINDER HEAD	ZYLINDERKOPFDICHTUNG JOINT DE CULASSE	1234 5678	
19A		CM149804	TORNILLO FIJACION TAPA 6X25 VITE SCREW	SCHRAUBE VIS	1234 5678	

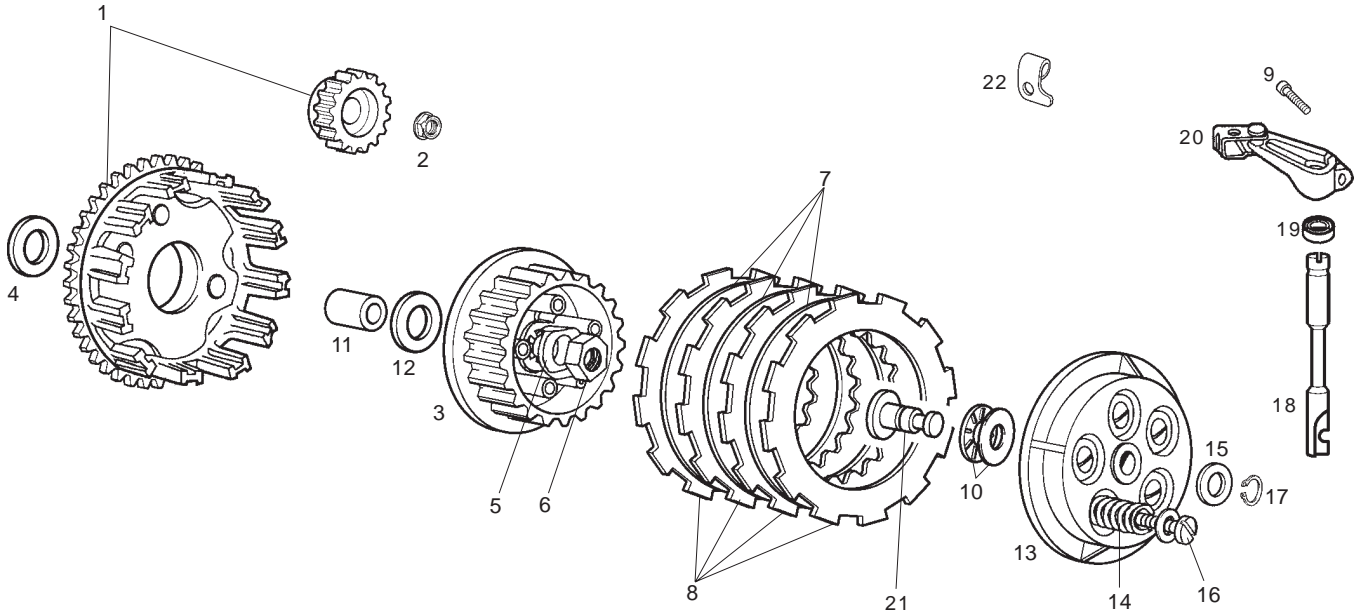


Fig.	Ver.	COD. KOD.	DESCRIPCIÓN DENOMINAZIONE NAME	BEZEICHNUNG DESIGNATION	MOD.	NOTAS NOTES NOTA MITSCHRIFT NOTES
01A		847098	CTO. RUEDA AMORT. EMBRAGUE R-RUOTA FRIZIONE CLUTCH HOUSING AND DAMPER	KUPPLUNGSRAD CLOCHE EMBRAYAGE AVEC PIGNO	1234 5678	
02A		847217	TUERCA C/BASE 10M100 DADO NUT	MUTTER ECROU	1234 5678	
03A		847045	CAMPANA CONDUCIDA CAMPANA GUIDATA CLUTCH HUB.	GLOCKE TAMBOUR EMBRAYAGE	1234 5678	
04A		847218	ARANDELA PROTEC.INT.BUJE EMBRAG. RONDELLA WASHER	SCHEIBE RONDELLE	1234 5678	
05A		847220	PRECTO.TCA.EMBRG. PIASTRINA DADO FRIZIONE WASHER, RETAINING	SICHERUNG FREIN DIECROU DIEMBRAYAGE	1234 5678	
06A		847221	TUERCA EMBRAGUE DADO NUT	MUTTER ECROU	1234 5678	
07A		847043	DISCO CONDUCIDO DISCO GUIDATO DRIVEN CLUTCH PLATE	SCHEIBE DISQUE EMBRAYAGE LISSE	1234 5678	
08A		847044	SCTO.DISCO CONDUCTOR SUBDISCO GUIDA CLUTCH PLATE	KUPPLUNGSRELAG DISQUE EMBRAYAGE GARNI	1234 5678	
09A		847179	TORNILLO 6M100X20 VITE SCREW	SCHRAUBE VIS	1234 5678	
10A		82835R	RODAMTO.AXIAL CREMALL.EMBRG. CUSCINETTO SFERE RADIALE CREMA BALL BEARING	LAGER ROULEMENT AXIAL	1234 5678	
11A		847040	CASQUILLO BUJE EMBRAGUE GHIERA BRONZINA FRIZIONE BUSHING	FUHRUNGSBUCHSE GABELSCHENK ENTRETOISE	1234 5678	

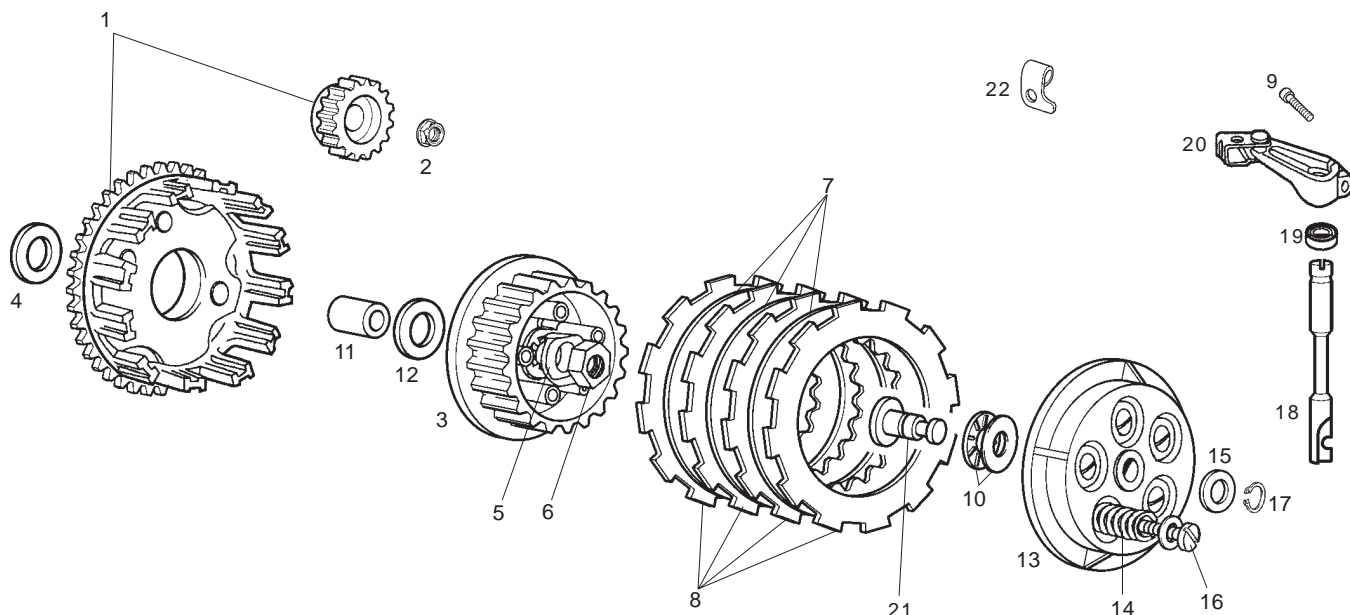


Fig.	Ver.	COD. KOD.	DESCRIPCIÓN DENOMINAZIONE NAME	BEZEICHUNG DESIGNATION	MOD.	NOTAS NOTES NOTA MITSCHRIFT NOTES
12A		847042	ARANDELA ROZAMTO.CAMPANA. RONDELLA WASHER	SCHEIBE RONDELLE	1234 5678	
13A		847046	TAPA CIERRE EMBRAG COPERCHIO CHIUSURA FRIZIONE G. OUTER CLUTCH PLATE	KUPPLINGS-VERSCHLUSSDECKEL PLATEAU EXTERIEUR D,EMBRYA	1234 5678	
14A		847047	MUELLE REGULAC. EMBRAGUE MOLLA REGOLAZIONE FRIZIONE CLUTCH SPRING	STELLFEDER RESORT REGLAGE	1234 5678	
15A		847224	ARANDELA TOPE PIÑON INTERMD. RONDELLA WASHER	SCHEIBE RONDELLE	1234 5678	
16A		847048	SCTO. TORNILLO 5M80X35 VITE SCREW	SCHRAUBE VIS	1234 5678	
17A		847225	ANILLO SEGURIDAD ANELLO SICUREZZA CIRCLIP	SEEGERRING CIRCLIP	1234 5678	
18A		847083	EJE DESEMBRAGUE ASSE DISINNESCO FRIZIONE CLUTCH SHAFT	KUPPLUNGSACHSE AXE	1234 5678	
19A		847075	RETEN EJE MANDO GIUNTO TENUTA SEAL	DICHTRING JOINT	1234 5678	
20A		CM151201	SCTO.PALANCA DESEMBRAGUE SUBLEVA DISINNESCO F CLUTCH LEVER	KUPPLUNGSHEBEL LEVIER EMBRAYAGE	1234 5678	
21A		847223	DESPLAZABLE EMBRAGUE ASSE FRIZIONE CLUTCH SHAFT	KUPPLUNGSACHSE AXE	1234 5678	
22A		847090	PLACA TENSOR CABLE EMBRAGUE PIASTRINA PLATE	PLATTE PLAQUE	1234 5678	

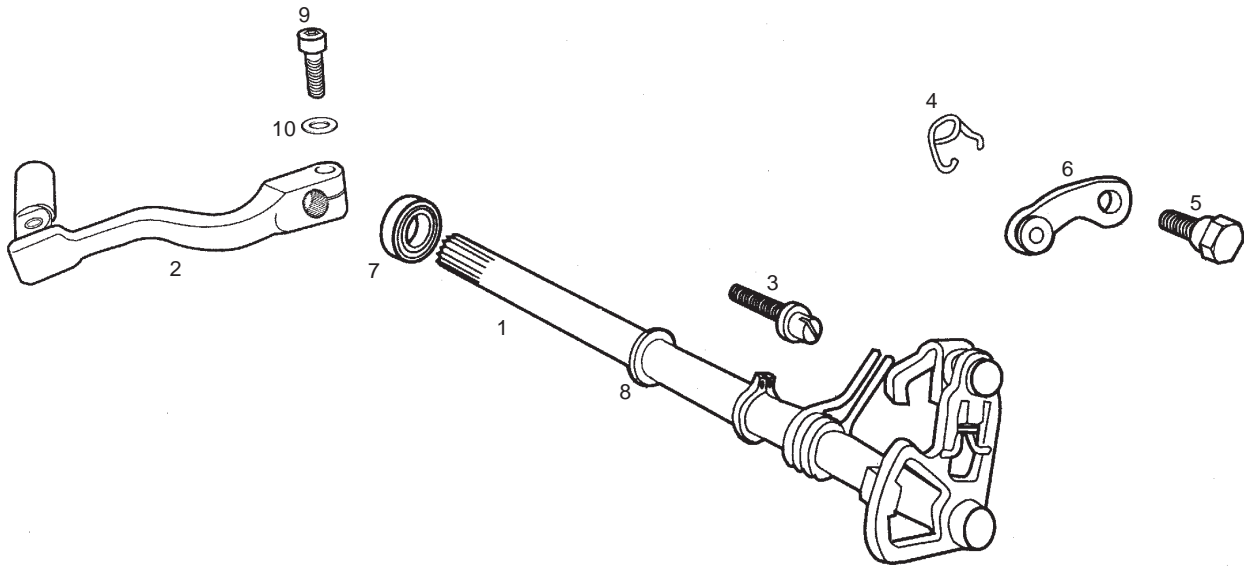


Fig.	Ver.	COD. KOD.	DESCRIPCIÓN DENOMINAZIONE NAME	BEZEICHNUNG DESIGNATION	MOD.	NOTAS NOTES NOTA MITSCHRIFT NOTES
01A		847236	EJE SELECTOR SUBASSE SELETTORE S-ASSY. SELECTOR SHAFT	SCHALTACHSE S-ENSEMBLE AXE SELECTEUR	1234 5678	
02A		00H02703421	CTO PALANCA CAMBIO LEVA CAMBIO GEARSHIFT ASSY.	GRUPPE GANGSCHALTHEBEL PEDALE DE SELECTEUR	1234 5678	
03A		847073	ESPARRAGO MUELLE SELECTOR BULLONE MOLLA SELETTORE SCREW, SELECTOR SPRING ADJ.	FEDERSTIFT AXE EXCENTRIQUE	1234 5678	
04A		847069	MUELLE FIJ.MARCHAS. MOLLA FISSAGGIO MARCE GEAR FIXING SPARING	BEF.-FEDER RESSORT	1234 5678	
05A		847070	TORNILLO VITE SCREW	SCHRAUBE VIS	1234 5678	
06A		847068	SCTO.PALANCA FIJ.MARCHAS. SUBLEVA FISSAGGIO MA LEVER FIXING GEARS	GANSCHALTHEEEL LEVIER FIXATION PIGNONS	1234 5678	
07A		847075	RETEN EJE MANDO RICHIAMO ASSE COMANDO SELETTOR OIL SEAL, SELECTOR SHAFT	SIMMERRING JOINT ANTI-FUITE	1234 5678	
08A		847228	ARANDELA SEGURO TAMBOR RONDELLA WASHER	SCHEIBE RONDELLE	1234 5678	
09A		00002062511	TORNILLO C/ALLEN 6M100X25 VITE SCREW	SCHRAUBE VIS	1234 5678	
10A		00442060002	ARANDELA MUELLE D6 RONDELLA WASHER	SCHEIBE RONDELLE	1234 5678	

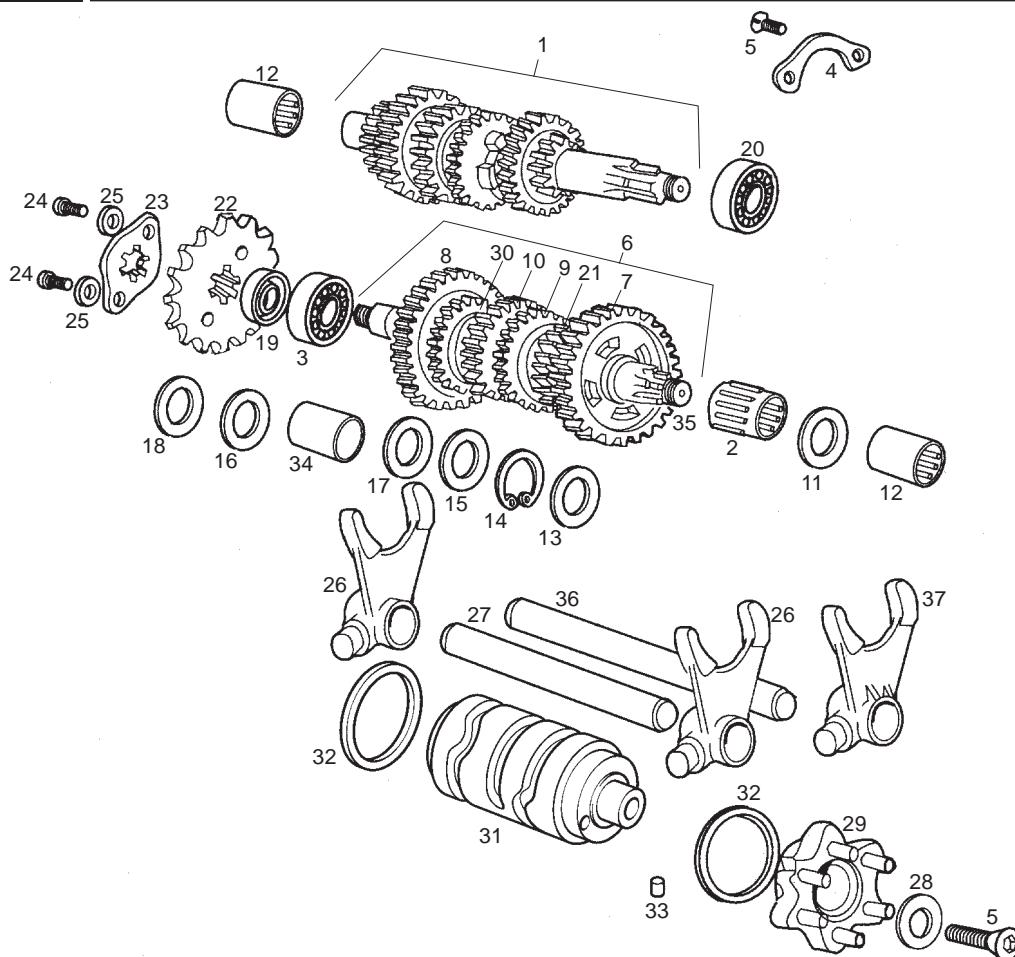


Fig.	Ver.	COD. KOD.	DESCRIPCIÓN DENOMINAZIONE NAME	BEZEICHUNG DESIGNATION	MOD.	NOTAS NOTES NOTA MITSCHRIFT NOTES
01A		847027	SCTO. EJE PRIMARIO 6V SUBASSE PRIMARIO DRIVE SHAFT.	PRIMARCHSE AXE PRIMAIRE	1234 5678	
02A		847544	CORONA AGUJAS PIÑON CORONA RULLINI PIGNONE NEEDLE BEARING	BADELLGER ROULEMENT AIGUILLES	1234 5678	
03A		847086	COJINETE CUSCINETTO BEARING	LAGER COUSSINET	1234 5678	
04A		847021	PRECINTO COJINETE EJE PRIMARIO PIASTRINA CUSCINETTO ASSE PRIM PLATE POSITION BALL BEARINGS	KUGELLEGERPRIMDRACHSE BUTEE DE ROULEMENT	1234 5678	
05A		847210	TORNILLO AV.ALL.5M80X10 VITE SCREW	SCHRAUBE VIS	1234 5678	
06A		847028	CTO. EJE SECUNDARIO 6V ASSE SECONDARIO OUTPUT SHAFT	SEKUNDRARACHSE AXE SECONDAIRE MONTE COMPLE	1234 5678	
07A		847153	PIÑON SECUNDARIO I Z-34 PIGNONE GEAR	RITZEL PIGNON	1234 5678	
08A		847157	PIÑON SECUNDARIO II Z-30 PIGNONE GEAR	RITZEL PIGNON	1234 5678	
09A		847155	PIÑON SECUNDARIO III Z-27 PIGNONE GEAR	RITZEL PIGNON	1234 5678	
10A		847156	PIÑON SECUNDARIO IV Z-24 PIGNONE GEAR	RITZEL PIGNON	1234 5678	
11A		847549	ARANDELA REGLAJE EJE SECUNDARIO RONDELLA WASHER	SCHEIBE RONDELLE	1234 5678	

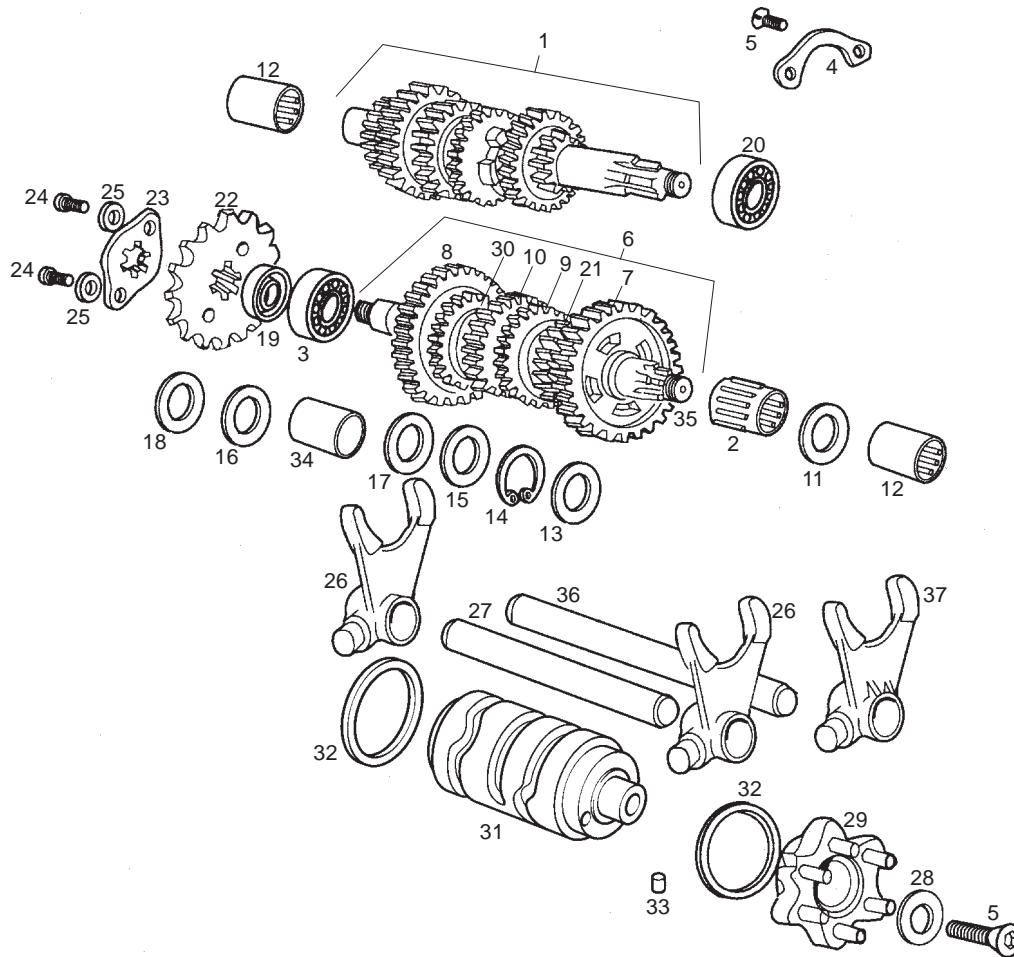


Fig.	Ver.	COD. KOD.	DESCRIPCIÓN DENOMINAZIONE NAME	BEZEICHNUNG DESIGNATION	MOD.	NOTAS NOTES NOTA MITSCHRIFT NOTES
12A		847211	CASQUILLO AGUJAS GHIERA RULLINI NEEDLE BEARING	NADELLGER CAGE A AIGUILLES	1234 5678	
13A		847550	ARANDELA ROZAMTO.PIÑON SECUND.I RONDELLA WASHER	SCHEIBE RONDELLE	1234 5678	
14A		847542	ANILLO SEGURIDAD ANELLO SICUREZZA CIRCLIP	SEEGERRING CIRCLIP	1234 5678	
15A		847548	ARANDELA RONDELLA WASHER	SCHEIBE RONDELLE	1234 5678	
16A		847541	ARANDELA RONDELLA WASHER	SCHEIBE RONDELLE	1234 5678	
17A		847546	ARANDELA RONDELLA WASHER	SCHEIBE RONDELLE	1234 5678	
18A		847545	ARANDELA RONDELLA WASHER	SCHEIBE RONDELLE	1234 5678	
19A		847019	RETEN.PIÑON SALIDA CAMBIO GIUNTO TENUTA SEAL	DICHTRING JOINT	1234 5678	
20A		847209	COJINETE CUSCINETTO BEARING	LAGER COUSSINET	1234 5678	
21A		847154	PIÑON SECUNDARIO V Z-23 PIGNONE GEAR	RITZEL PIGNON	1234 5678	
22A		00H02813371	PIÑON SALIDA CAMBIO Z-11 PIGNONE GEAR	RITZEL PIGNON	1234 5678	

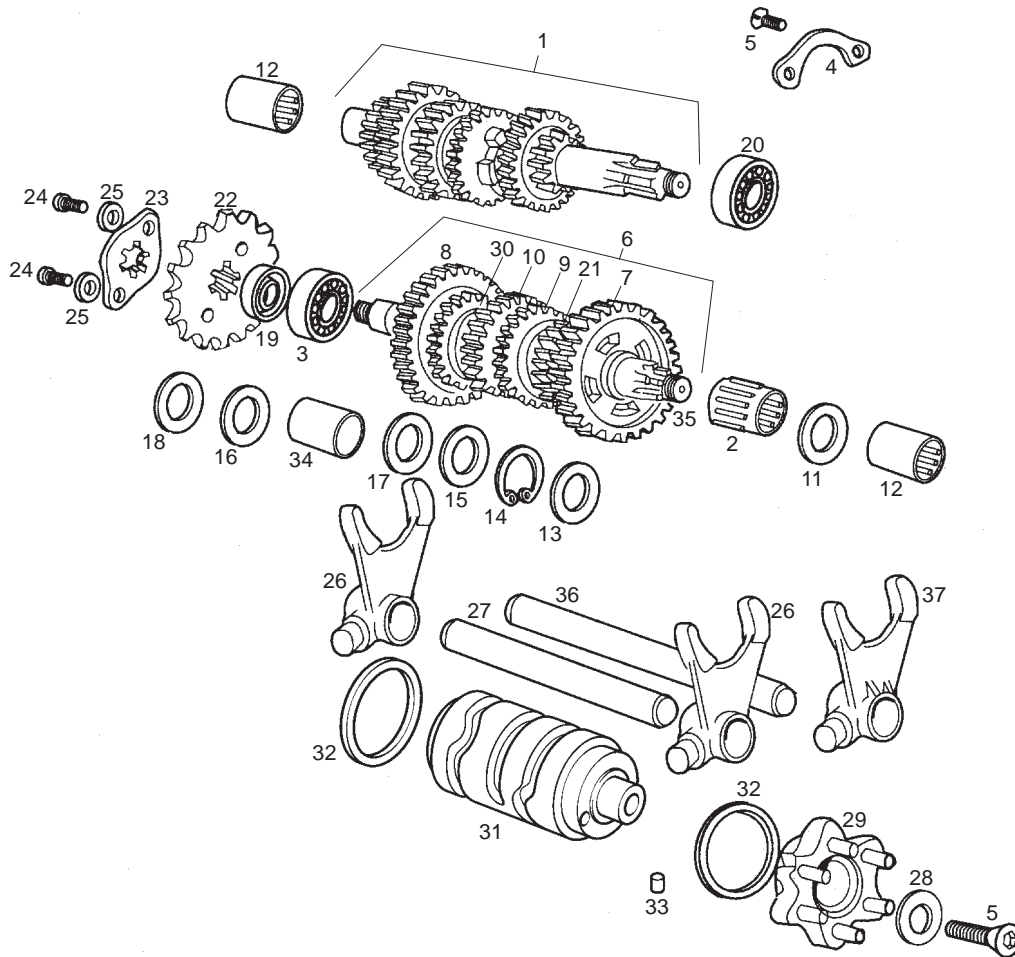


Fig.	Ver.	COD. KOD.	DESCRIPCIÓN DENOMINAZIONE NAME	BEZEICHUNG DESIGNATION	MOD.	NOTAS NOTES NOTA MITSCHRIFT NOTES
23A		00H02800421	PRECINTO PIÑON SALIDA CAMBIO PIASTRINA PIGNONE USCITA CAMBI LOCKWASHER, COUNTERSHAFT SPROK	HALTER RONDELLE DE SECURITE SBV.	1234 5678	
24A		00002041050	TORNILLO C/ALLEN 4M70X10 VITE SCREW	SCHRAUBE VIS	1234 5678	
25A		00000033040	ARANDELA MUELLE D4 RONDELLA WASHER	SCHEIBE RONDELLE	1234 5678	
26A		847032	HORQUILLA SECUNDARIA FORCELLA SECONDARIA FORK OUTPUT	SHALTGABEL FOURCHETTE	1234 5678	
27A		847030	EJE HORQUILLA SECUNDARIA ASSE FORCELLA SECONDARIA SECONDARY FORK SHAFT	GABEL SEKUNDARACHSE AXE	1234 5678	
28A		847214	ARANDELA PIÑ.CONTR/MAND.TAMBOR RONDELLA WASHER	SCHEIBE RONDELLE	1234 5678	
29A		847038	CABEZA MANDO TAMBOR. TESTA COMANDO TAMBORO DRUM HEAD	ESTEUERKOPF TETE TAMBOUR SELECTEUR	1234 5678	
30A		847158	PIÑON SECUNDARIO VI Z-22 PIGNONE GEAR	RITZEL PIGNON	1234 5678	
31A		847081	TAMBOR DISTRIBUIDOR TAMBORO DISTRIBUTORE SHIFT DRUM	VERTEILERTROMMEL BARILLET	1234 5678	
32A		847036	ARANDELA TAMBOR DISTRIBUIDOR RONDELLA WASHER	SCHEIBE RONDELLE	1234 5678	
33A		847213	RODILLO.4X6. RULLO ROLLER	WALZE FUR SCHA LTUNG GALETS	1234 5678	

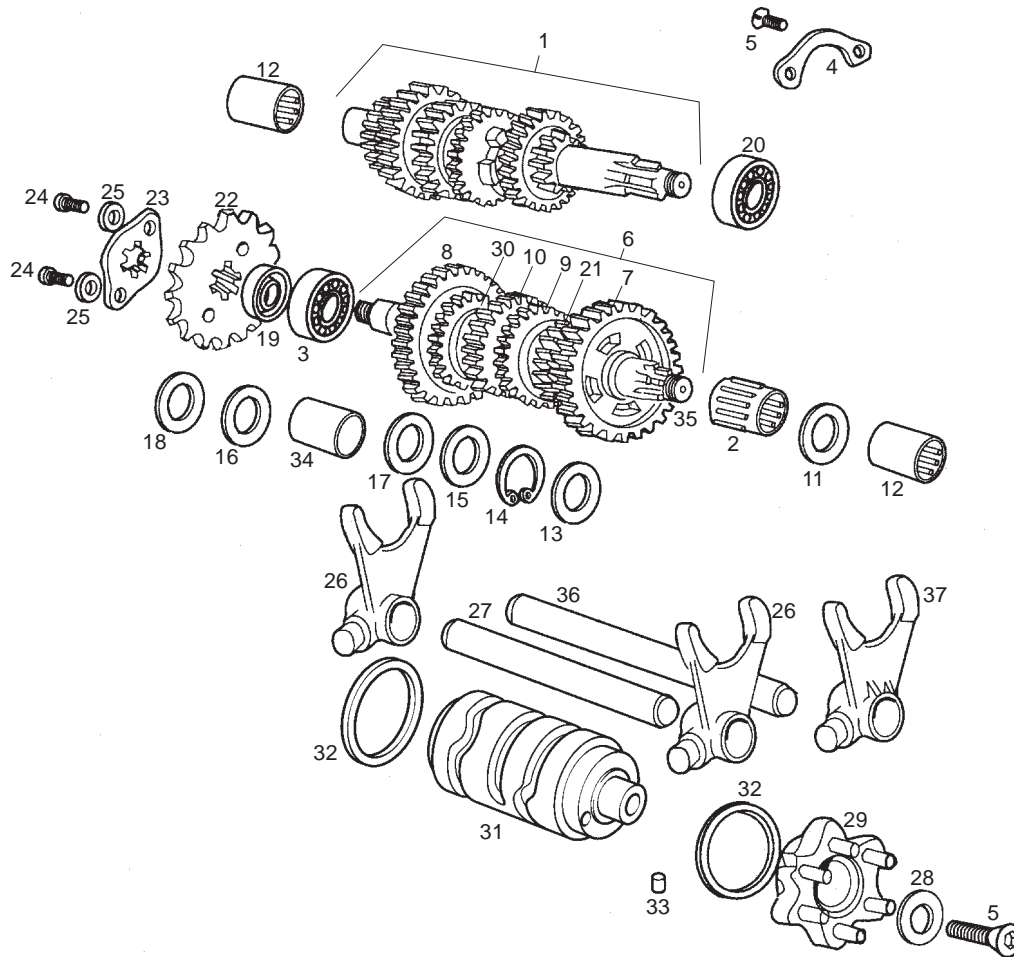


Fig.	Ver.	COD. KOD.	DESCRIPCIÓN DENOMINAZIONE NAME	BEZEICHNUNG DESIGNATION	MOD.	NOTAS NOTES NOTA MITSCHRIFT NOTES
34A		847547	CASQUILLO PIÑON SECUND.II. GHIERA PIGNONE SECONDARIO .II. BUSHING	FUHRUNGSBUCHSE GABELSCHENK ENTRETOISE	1234 5678	
35A		847159	SCTO EJE SECUNDARIO 6V. ASSE SECONDARIO OUTPUT SHAFT	SEKUNDARACHSE AXE SECONDAIRE MONTE COMPLE	1234 5678	
36A		847029	EJE HORQUILLA PRIMARIA. ASSE FORCELLA PRIMARIA PRIMARY FORK SHAFT	GABEL PRIMARACHSE AXE	1234 5678	
37A		847031	HORQUILLA PRIMARIA V-VI. FORCELLA PRIMARIA FORK OUTPUT	SHALTGABEL FOURCHETTE	1234 5678	

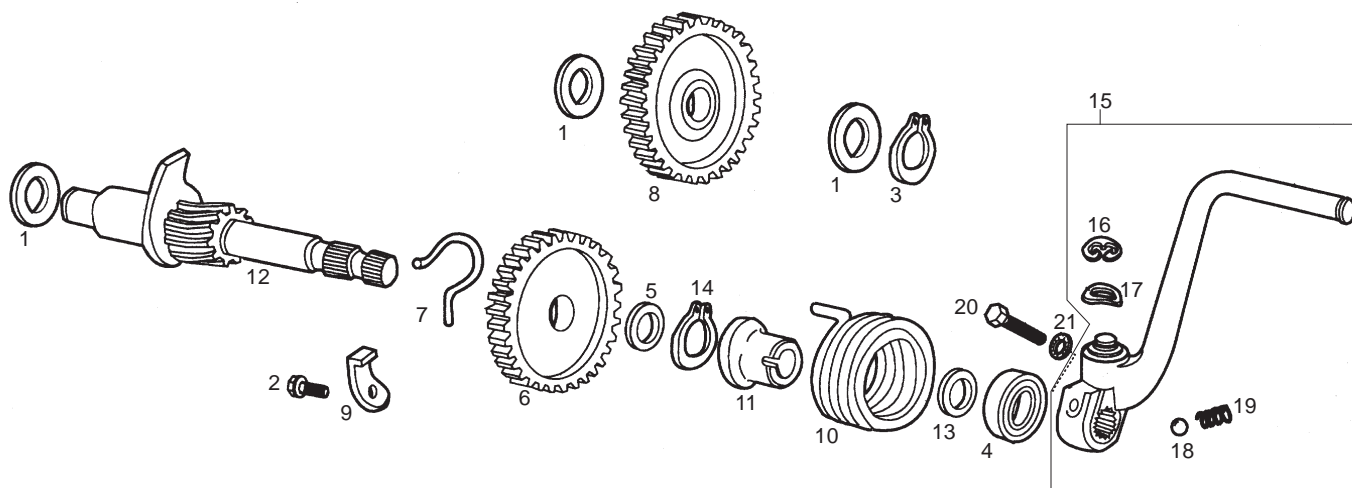


Fig.	Ver.	COD. KOD.	DESCRIPCIÓN DENOMINAZIONE NAME	BEZEICHUNG DESIGNATION	MOD.	NOTAS NOTES NOTA MITSCHRIFT NOTES
01A		847228	ARANDELA RONDELLA WASHER	SCHEIBE RONDELLE	1234 5678	
02A		CM149802	TORNILLO FIJ.TOPE ARRANQUE VITE SCREW	SCHRAUBE VIS	1234 5678	
03A		847229	ANILLO SEGURIDAD D11 ANELLO SICUREZZA CIRCLIP	SEEGERRING CIRCLIP	1234 5678	
04A		847074	RETEN EJE ARRANQUE GIUNTO TENUTA SEAL	DICHTRING JOINT	1234 5678	
05A		847232	ARANDELA TOPE PIÑON ARRANQUE RONDELLA WASHER	SCHEIBE RONDELLE	1234 5678	
06A		847061	PIÑON ARRANQUE Z-29 PIGNONE AVVIAMENTO KICKSTARTER GEAR	ANLAUFTRITZEL ROUE DE MISE EN MARCHE	1234 5678	
07A		847060	MUELLE PIÑON ARR. MOLLA PIGNONE AVVIAMENTO SPRING, ENGAGEMENTE REAR	RITZELFEDER RESSORT DE ROUE DE MISE EN	1234 5678	
08A		847056	PIÑON INTERMEDIO ARRANQUE PIGNONE INTERMEDIO AVVIAMENTO DRIVING GEAR	ANLAUF-ZWISCHENRITZEL ROUE INTERMEDIAIRE	1234 5678	
09A		847062	REFUERZO TOPE ARRANQUE RINFORZO FERMO AVVIAMENTO KICKSTARTER LEVER STOP	VERSTARUNG F.ANSCHULAG BUTEE PEDALE DE KICK	1234 5678	
10A		847057	MUELLE ARRANQUE, MOLLA AVVIAMENTO KICKSTARTER SPRING	ANLAUFFEDER RESSORT DE KICK	1234 5678	
11A		847058	CAZOLETA.GUIA MUELLE ARRANQUE SCODELLINO GUIDA MOLLA AVVIAME SPRING GUIDE	FUHRUNGSPFANE RAMPE DE KICK	1234 5678	

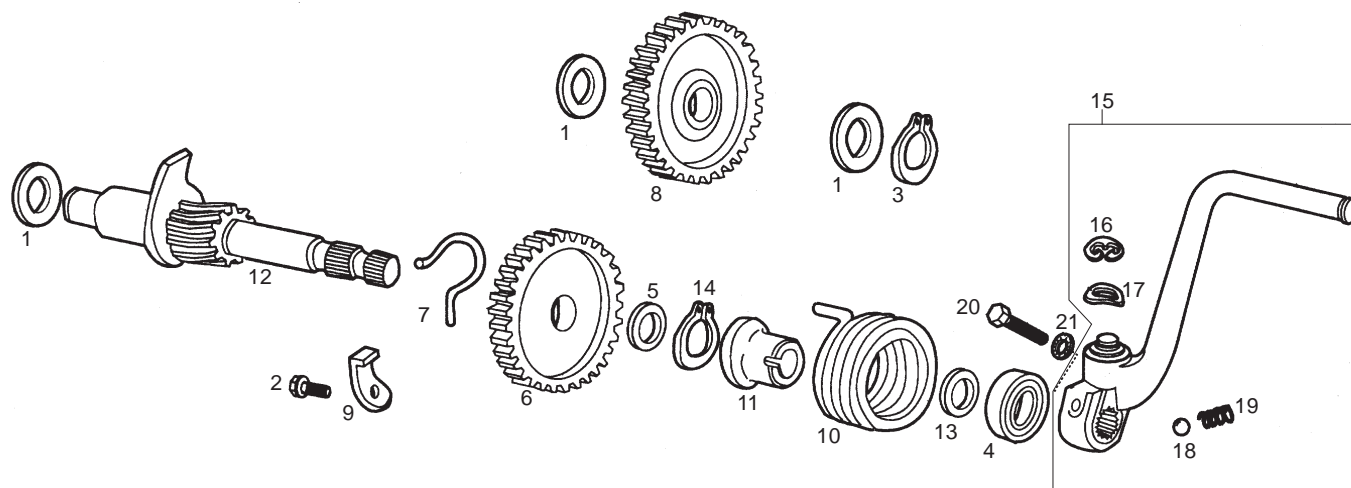


Fig.	Ver.	COD. KOD.	DESCRIPCIÓN DENOMINAZIONE NAME	BEZEICHNUNG DESIGNATION	MOD.	NOTAS NOTES NOTA MITSCHRIFT NOTES
12A		847059	SCTO.EJE ARRANQUE, SUBASSE AVVIAMENTO KICKSTARTER SHAFT	ANLAUFACHSE ARBRE DE KICK	1234 5678	
13A		847230	ARANDELA TOPE ARRANQUE RONDELLA WASHER	SCHEIBE RONDELLE	1234 5678	
14A		847231	ANILLO SEGURIDAD D22 ANELLO SICUREZZA CIRCLIP	SEEGERRING CIRCLIP	1234 5678	
15A		00H02902252	CTO PALANCA ARRANQUE LEVA AVVIAMENTO KICKSTARTER LEVER	KICKSTARTER LEVIER DE KICK	1234 5678	
16A		00047030900	ANILLO SEGURIDAD ANELLO SICUREZZA CIRCLIP	SICHERHEITSRING ANNEAU SECURITE AXE	1234 5678	
17A		00000036100	ARANDELA MUELLE RONDELLA WASHER	SCHEIBE RONDELLE	1234 5678	
18A		00000061040	BOLA.D.4,76. PALLA BALL	KUGEL BILLE DIAMETRE	1234 5678	
19A		00003127200	MUELLE MOLLA GRILLETTO TORCIA SPRING, DETENT	FEDER RESSORT	1234 5678	
20A		00004162500	TORNILLO C/ALLEN 6M100X25 VITE SCREW	SCHRAUBE VIS	1234 5678	
21A		00037000600	ARANDELA CONICA SEG. D6 RONDELLA WASHER	SCHEIBE RONDELLE	1234 5678	

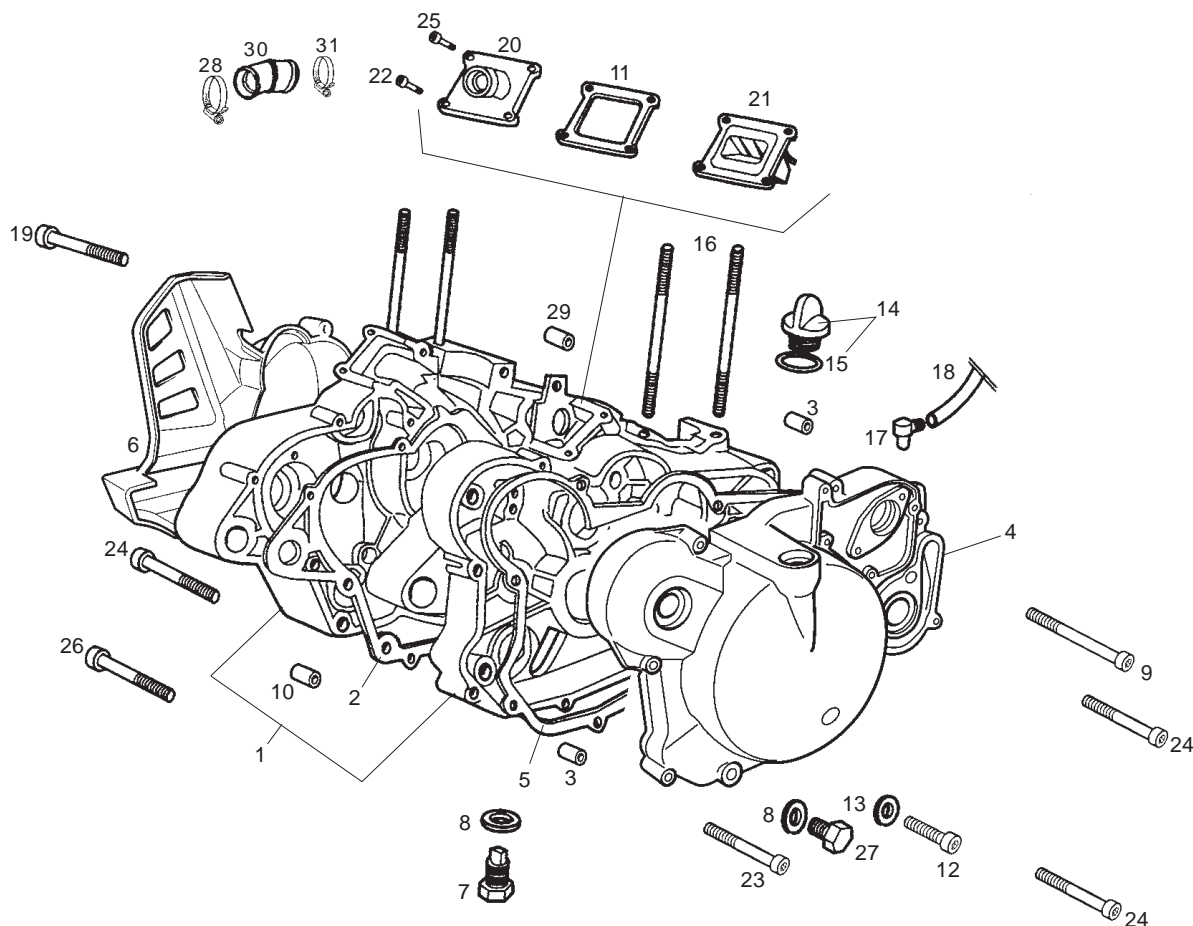


Fig.	Ver.	COD. KOD.	DESCRIPCIÓN DENOMINAZIONE NAME	BEZEICHUNG DESIGNATION	MOD.	NOTAS NOTES NOTA MITSCHRIFT NOTES
01A		CM1503015	CTO CARTERS CARTERS CRANCKASE ASSEMBLY	MOTORGEHAUSE ENSEMBLE DES CARTERS MOTEUR	1234 5678	
02A		847022	JUNTA CARTERS GUARNIZIONE CARTERS GASKET, CHANCKASE	GEHAUSEDICHTUNG JOINT DE CARTERS CENTRAUX	1234 5678	
03A		847241	PASADOR UNION CARTER. CHIAVISTELLO SOSTEGNO SPIRALE FORK PIN	STIFT GOUDILLE	1234 5678	
04A		CM150703	TAPA CARTER DERECHA SUBC.COP.CARTER DES. CRANCKASE COVER	KUPPLINGSDECKEL CARTER DIEMBRYAGE	1234 5678	
05A		847084	JUNTA TAPA CARTER DERECHA GUARNIZIONE COPERCHIO CARTER D GASKET RIGHT-HAND COVER	DICHTUNG JOINT DE CARTER EMBRAYAGE	1234 5678	
06A		00H03007241	TAPA CARTER IZQUIERDA COPERCHIO CARTER SINISTRO CRANCKASE COVER LEFT	GEHD US ED EDKELLINKS COUVERCLE CARTER GAUCHE	1234 5678	
07A		847237	CTO.TORNILLO VACIADO.ACEITE VITE SCREW	SCHRAUBE VIS	1234 5678	
08A		847238	ARANDELA VACIADO ACEITE RONDELLA WASHER	SCHRAUBE RONDELLE	1234 5678	
09A		CM149801	TORNILLO C/ALLEN.6M100X55 VITE SCREW	SCHRAUBE VIS	1234 5678	
10A		847023	SEPARADOR CARTER GHIERA PIN	BUCHSE DOUILLE	1234 5678	
11A		847091	JUNTA SOPTE.VALVULA ADMISION GUARNIZIONE SOSTEGNO VALVOLA A INLET VALVE GASKET	DICHTUNG VENTILHALTER JOINT BTE.CLAPETS	1234 5678	

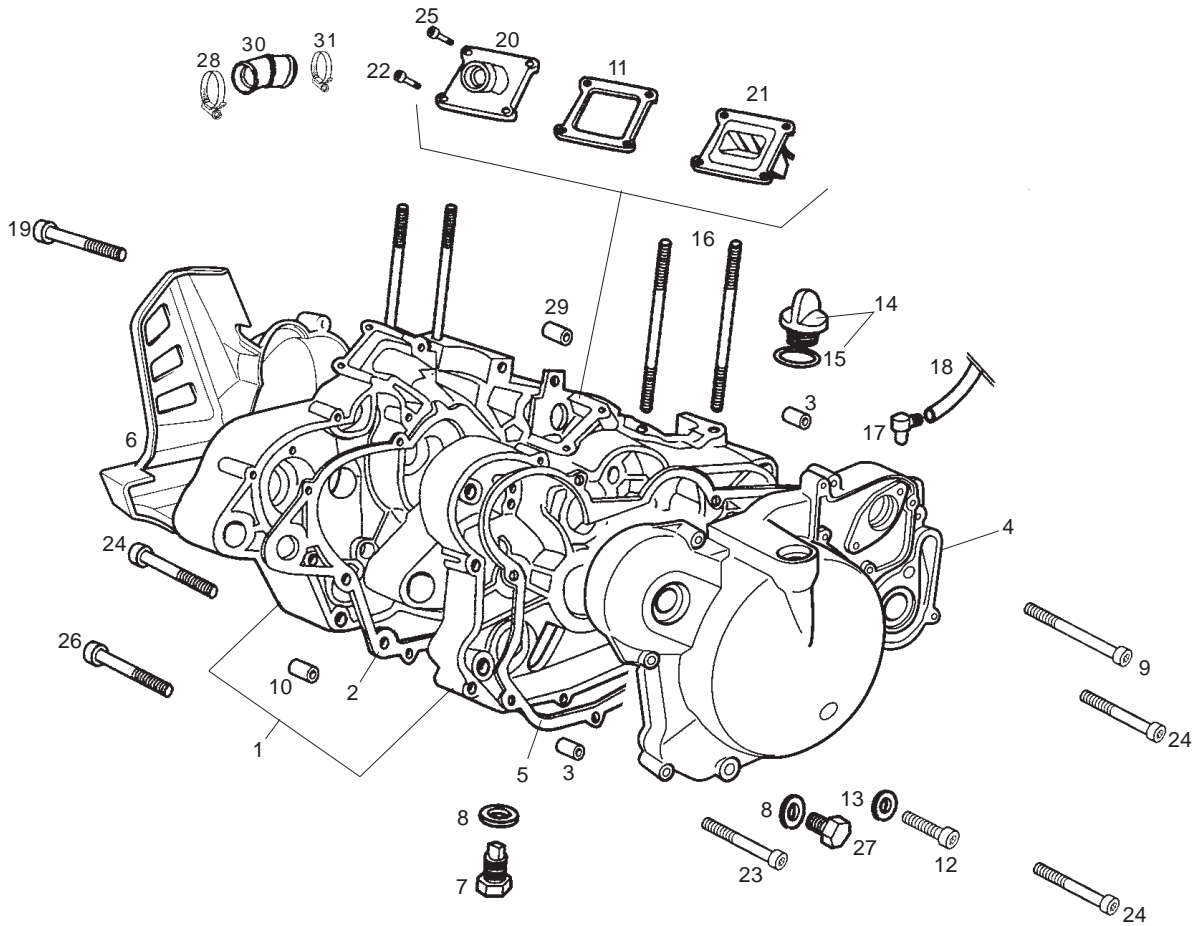


Fig.	Ver.	COD. KOD.	DESCRIPCIÓN DENOMINAZIONE NAME	BEZEICHNUNG DESIGNATION	MOD.	NOTAS NOTES NOTA MITSCHRIFT NOTES
12A		847240	TORNILLO C/ALLEN.6M100X10 VITE SCREW	SCHRAUBE VIS	1234 5678	
13A		847239	ARANDELA NIVEL ACEITE.D6 RONDELLA WASHER	SCHEIBE RONDELLE	1234 5678	
14A		847087	TORNILLO LLENADO ACEITE VITE SCREW	SCHRAUBE VIS	1234 5678	
15A		847180	ANILLO TORICO TAPON NIV.ACTE. ANELLO TORICO SEAL	O-RING JOINT DE JAUGE D,HUILE	1234 5678	
16A		847015	ESPARRAGO CILINDRO MOTOR BULLONE FISSAGGIO CILINDRO STUD CYLINDER	STEBBOLZEN GOUJON DE FIXE CYLINDRE	1234 5678	
17A		847024	RACORD SALIDA GASES RACCORDI USCITA GAS CARTER . CRANKCASE VENT RACCORD	AUSGANGSSTUTZEN RACCORD DE SORTIE GAZ CARTE	1234 5678	
18A		00H03700461	TUBO RESPIRACION TUBO RESPIRAZIONE SERBATOIO VENT PIPE OIL TANK	ENTLUEFTUNGSSCHLAUCH TUYAU RESPIRATION RESERVOIR	1234 5678	
19A		00G03900821	TORNILLO FIJACION 6X30 VITE SCREW	SCHRAUBE VIS	1234 5678	
20A		847093	BOQUILLA CARBURANTE ATTACCO CARBURATORE INTAKE MANIFOLD,	ANSAUGSTUTZEN ENSEMB.PIPE DIADMISSION	1234 5678	
21A		847092	CTO.CAJA LAMINAS ADMISION CASSA LAMINA AMMISSI INLET BOX	MEMBRANE BOITE A CLAPETS	1234 5678	
22A		CM149804	TORNILLO C/ALLEN.6M100X25 VITE SCREW	SCHRAUBE VIS	1234 5678	

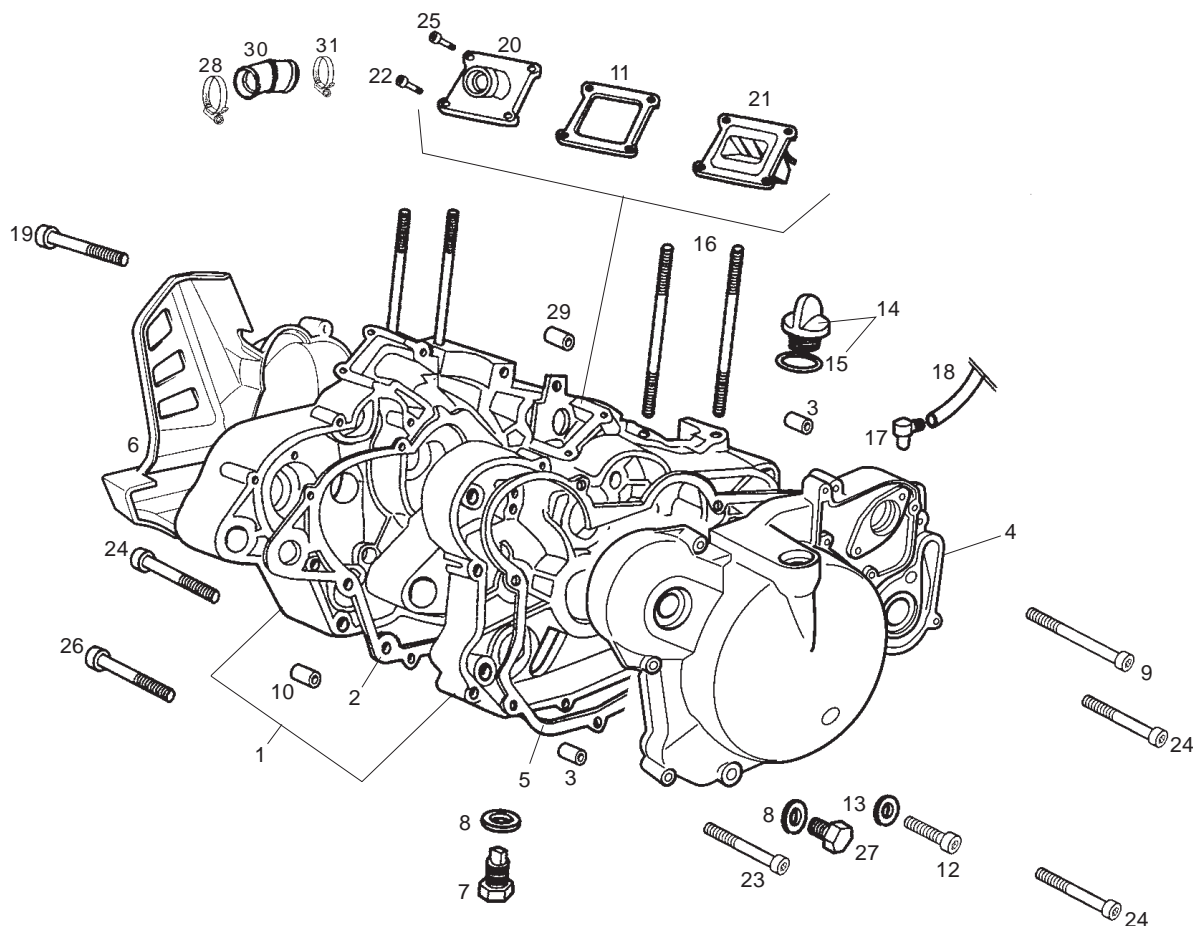


Fig.	Ver.	COD. KOD.	DESCRIPCIÓN DENOMINAZIONE NAME	BEZEICHNUNG DESIGNATION	MOD.	NOTAS NOTES NOTA MITSCHRIFT NOTES
23A		CM149806	TORNILLO C/ALLEN.6M100X35 VITE SCREW	SCHRAUBE VIS	1234 5678	
24A		CM149808	TORNILLO C/ALLEN.6M100X40 VITE SCREW	SCHRAUBE VIS	1234 5678	
25A		828152	TORNILLO VITE SCREW	SCHRAUBE VIS	1234 5678	
26A		CM149809	TORNILLO FIJACION 6X50 VITE SCREW	SCHRAUBE VIS	1234 5678	
27A		847174	TORNILLO VACIADO ACEITE VITE SCREW	SCHRAUBE VIS	1234 5678	
28A		00H02501491	ABRAZADERA FASCETTA CLAMP	ZÜGEL BRIDE	1234 5678	
29A		847023	SEPARADOR CARTER GHIERA PIN	BUCHSE DOUILLE	1234 5678	
30A		871319	CASQUILLO UNION MANGUITO CARB. BRONZINA BUSHING	BUCHSE ENTRETOISE	1234 5678	
31A		847096	ABRAZADERA FASCETTA CLAMP	ZÜGEL BRIDE	1234 5678	

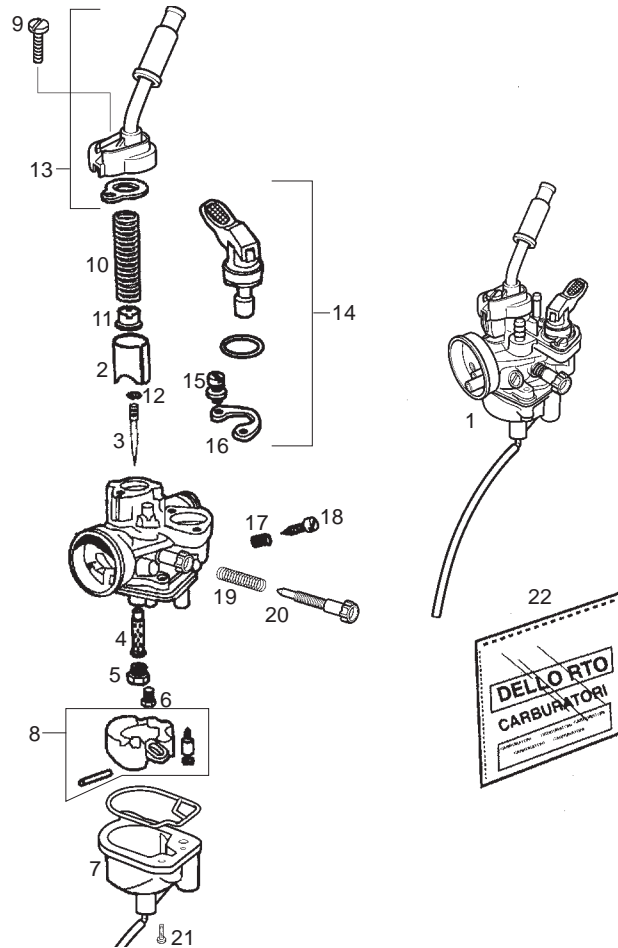


Fig.	Ver.	COD. KOD.	DESCRIPCIÓN DENOMINAZIONE NAME	BEZEICHUNG DESIGNATION	MOD.	NOTAS NOTES NOTA MITSCHRIFT NOTES
01A		CM152702	CARBURADOR SENDA CARBURATORE CARBURETOR	VERGASER KOMPL ENSEMBLE CARBURATEUR	1234 5678	
02A		00H03207211	R-COMPUERTA GAS R-VALVOLA GAS SLIDE	GASSCHIEBER BOISSEAU	1234 5678	
03A		00H03214431	R-AGUJA PULVERIZADORA SPILLO CONICO NEEDLE	DUESENNADELUSE AIGUILLE PULVERIZ.	1234 5678	
04A		00H03206421	R-PULVERIZADOR POLVERIZZATORE NEEDLE JET	ZERSTAUBERDUSE PULVERISATEUR	1234 5678	
05A		00H03208031	R-SURTIDOR MAXIMO 70 R-GETTO MASSIMO MAIN JET	HAUPT DUSE GICLEUR PRINCIPAL	1234 5678	
06A		00H04101181	R-SURTIDOR MINIMO 32 R-GETTO MINIMO JET MIN	DUESE MIN. R-GICLEUR MINIMUM.	1234 5678	
07A		484704	VASO GASOLINA VASCHETTA BENZINA FLOAT BOWL SEET	SCHWIMMERKAMMER CUVE INFERIEURE CARBUR.	1234 5678	
08A		00H03204281	R-KIT FLOTADOR R-GALLEGGIANTE FLOAT	SCHWIMMER R-FLOTTEUR.	1234 5678	
09A		00G03200061	R-TORNILLO FIJ.TAPA CAM. MEZCLA R-VITE FISSAGIO COPERCHIO CAM. MIXING XAMBER COVER SEGRING	BEF.-SCHRAUBE DECKEL MISCH R-BOUL.SER.COUV.CHAMBRE MEL	1234 5678	
10A		00G03201071	R-MUELLE VALVULA GAS R-MOLLA VALVOLA GAS THROOTLE VALVE RETURN	FEDER FUR GASVENTIL R-RESSORT VALVE ESS.	1234 5678	
11A		00G03200511	R-CASQUILLO AGUJA PULVERIZADORA GHIERA SPILLO CONICO NEEDLE BUSHING	BUCHSE DUESENNADEL R-DOUILLE AIGUI.PULVERZ.	1234 5678	

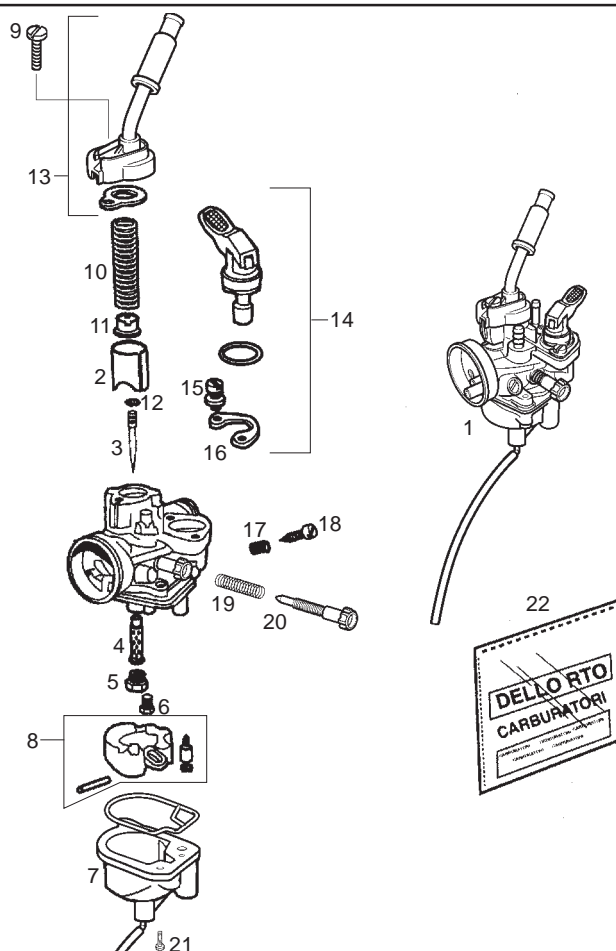


Fig.	Ver.	COD. KOD.	DESCRIPCIÓN DENOMINAZIONE NAME	BEZEICHUNG DESIGNATION	MOD.	NOTAS NOTES NOTA MITSCHRIFT NOTES
12A		00G03201371	R-PINZA AGUJA PULVERIZADORA MORSA SPILLO CONICO NEEDLE CIRCLIP	KLAMMER DUESENNADEL R-PINCE AIGUI.PULVERZ.	1234 5678	
13A		00H03204231	R-TAPA CAMARA MEZCLA R-COPERCHIO CAMARA MISCELA SE COVER CARBURETOR TOP	MISCHRAUMDECKEL COUVERCLE CARBURATEUR	1234 5678	
14A		00H03203711	R-CTO STARTER R-STARTER CHOCKE LOCK	STARTERVENTIL VANNE DU STARTER MANUEL	1234 5678	
15A		00G03200541	R-TORNILLO FIJACION STARTER R-VITE FISSAGIO STARTER AV. AUTOMA.CHOCKE SEGURING SCREE	BEF.-SCHRAUBEAUTOM STARTER R-BOULON SER.START	1234 5678	
16A		00G03200551	R-PRECINTO FIJACION STARTER PIASTRINA FIS. STARTER AUTOMA.CHOCKE SEGURING SCREE	HALTERUNG AUTOM. STARTER R-PLOMBAGE FIX.START	1234 5678	
17A		00G03200721	R-MUELLE REGULACION AIRE MIN. MOLLA REG. ARIA IDLE ADJUSTER	FEDER LUFTREGLER MIN. R-RESSORT REG.AIR MIN.	1234 5678	
18A		00G03200731	R-TORNILLO REGULACION AIRE MIN. R-VIS REG.AIR.MIN. IDLE ADJUSTER SCREW	LUFT-REGULIERSCHRAUBE MIN. R-VIS REG.AIR MIN.	1234 5678	
19A		00G03200101	R-MUELLE REGULACION VALVULA GAS MOLLA REG. VALVOLA GAS THROOTLE VALVE ADJUSTE SPRING	FEDER GAS-VENTIL-REGELUNG R-RES.REG.VALVE ESS.	1234 5678	
20A		00G04102131	R-TORNILLO REGULACION VALVULA GAS R-BOUTON VITE REGOLAZIONE VALVOLA THROOTLE VALVE ADJUSTER SCREW	GAS-VENTIL-REGELU R-BOUTON VIS REG.VALV.ES. THROOTLE VALVE ADJUSTER SCREW	1234 5678	
21A		00G03201091	R-TORNILLO FIJACION VASO GASOLINA R-VITE FISSAGIO VASCHETTA FLOAT CHAMBER SEGURING SCREW	BEF.-SCHRAUBE R-BOUL.SERG.VASE ESSENC.	1234 5678	
22A		00H04103771	R-JUEGO JUNTAS CARBURADOR R-GUARNIZIONE CARBU. CARBURETOR GASKET	DICHTUNGSATZ KOMPL. VERGAS R-ENS. JOINTS CARBUR.	1234 5678	

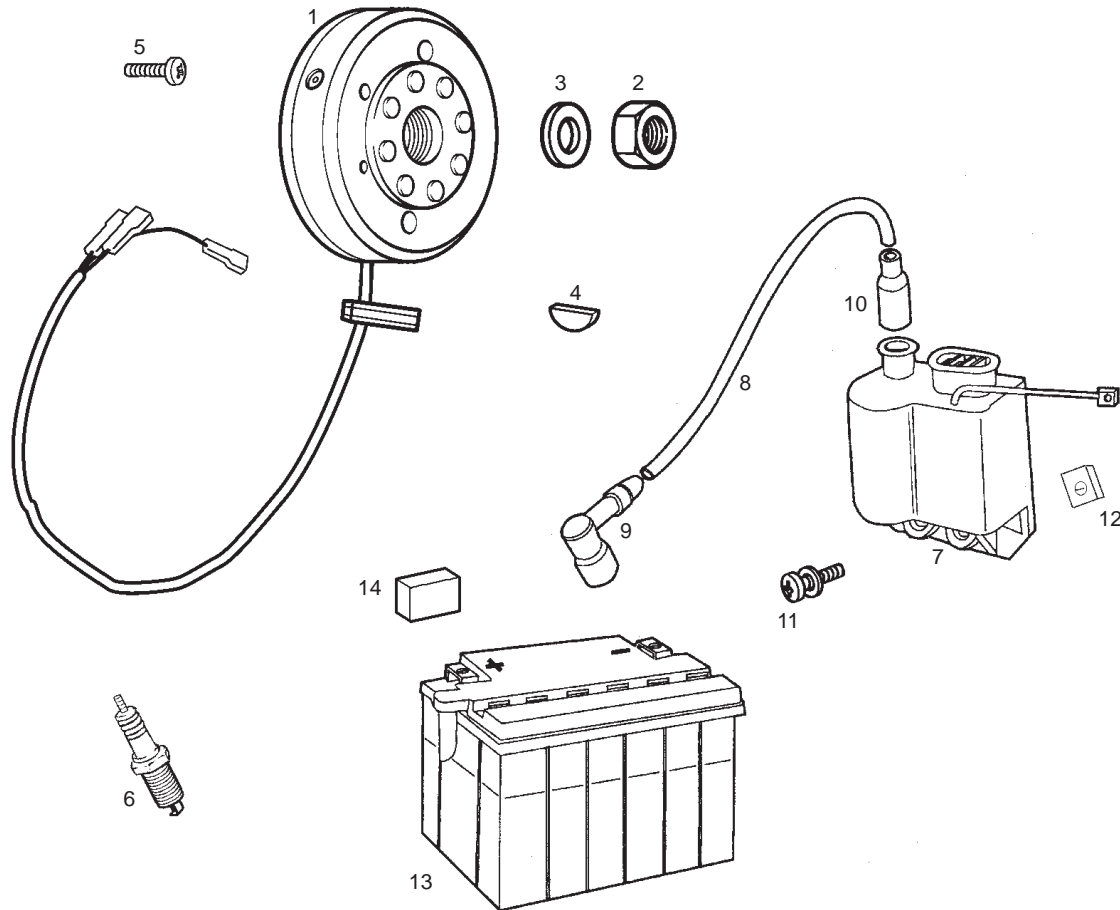


Fig.	Ver.	COD. KOD.	DESCRIPCIÓN DENOMINAZIONE NAME	BEZEICHUNG DESIGNATION	MOD.	NOTAS NOTES NOTA MITSCHRIFT NOTES
01A		82829R	CTO VOLANTE MAGNETICO VOLANO ELETTRONICO MAGNETO ASSEMBLY	LICHTMASCHINE KOMPL. VOLANT MAGNETIQUE	1234 5678	
02A		847235	TUERCA FIJACION VOLANTE.MAGN. DADO NUT	MUTTER ECROU	1234 5678	
03A		847234	ARANDELA FIJ. VOLANTE.MAGN RONDELLA WASHER	SCHEIBE RONDELLE	1234 5678	
04A		847215	CHAVETA VOLANTE MAGNETICO SPINA VOLANO MAGNETICO .P.REC. KEY, FLYWHEEL	KEIL CLAVETTE VOLANT MAGNETIQUE	1234 5678	
05A		847233	TORNILLO FIJ.VOLTE.MAGN.5M80X10 VITE SCREW	SCHRAUBE VIS	1234 5678	
06A		847085	BUJIA CANDELA SPARK PLUG	KERZE BOUGIE	1234 5678	
07A		00H03330171	CTO CONVERSOR ELECTRONICO COVERTITORE ELETTRON COIL, PRIMARY IGNITION	ZUNDSPULE BOBINE AUTE TENSION	1234 5678	
08A		00F03310741	CABLE BOBINA CAVO BOBINA CABLE COIL PRIMARY IGNITION	ZUNDSPULENKABEL CABLE	1234 5678	
09A		00G03301271	CTO. PIPA BUJIA PIPETA CANDELA COVER, SPARK PLUG	ZUNDKERZENSTECRER PIPE DE BOUGIE	1234 5678	
10A	01	00F03300731	CAPUCHON CABLE BOBINA CAPPuccio CAVO BOBINA COIL CABLE RUBBER PROTECTOR	KAPPE CAPUCHON	1234 5678	
10A		00G03301731	CAPUCHON CABLE BOBINA CAPPuccio CAVO BOBINA COIL CABLE RUBBER PROTECTOR	KAPPE CAPUCHON	1234 5678	

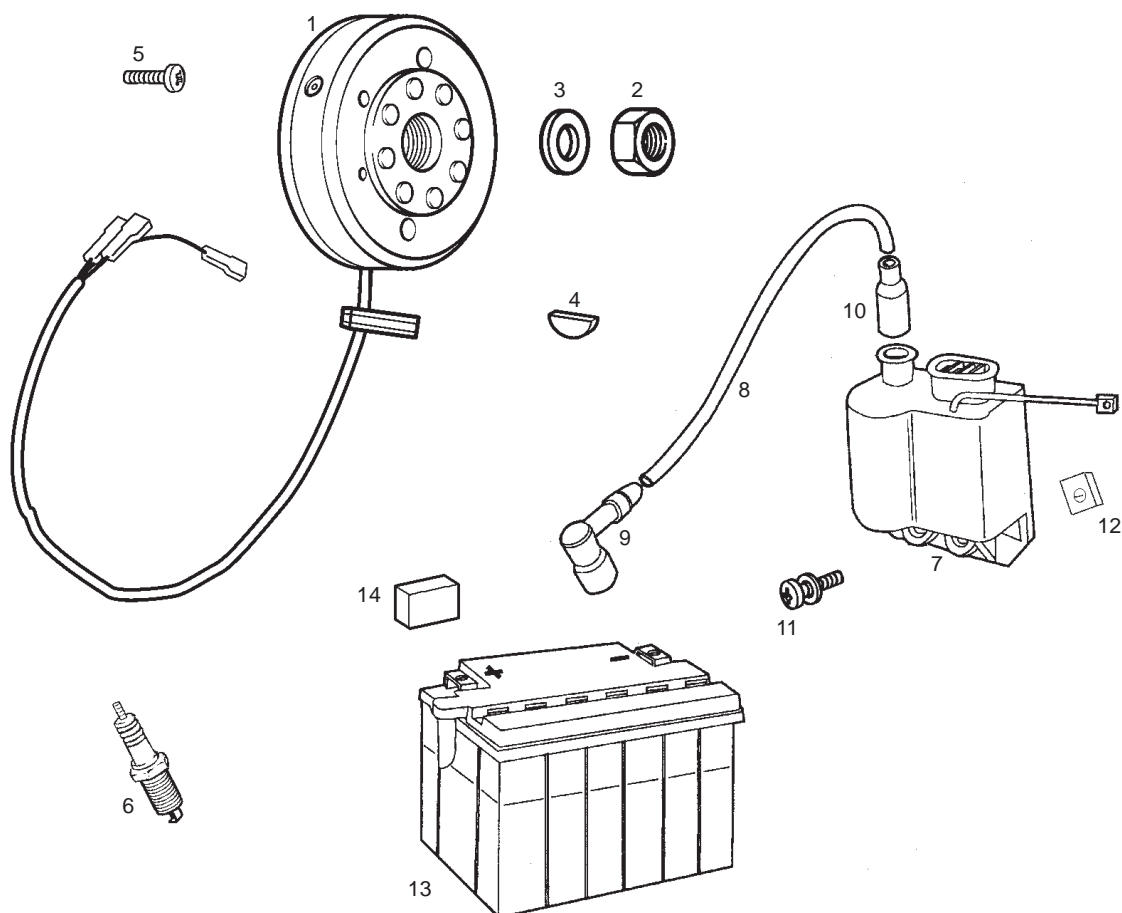


Fig.	Ver.	COD. KOD.	DESCRIPCIÓN DENOMINAZIONE NAME	BEZEICHNUNG DESIGNATION	MOD.	NOTAS NOTES NOTA MITSCHRIFT NOTES
11A		00G06800021	SCTO. TORNILLO 6M100X20 VITE SCREW	SCHRAUBE VIS	1234 5678	
12A		00D01501371	TUERCA FIJACION D6 DADO NUT	MUTTER ECROU	1234 5678	
13A		00G03301401	BATERIA 12V 4AH. BATTERIA BATTERY	BATTERIE BATTERIE	1234 5678	
14A		00H06300771	TOPE BATERIA GOMMA RUBBER	GUMMISTOPPEL CAOUTCHOUC	1234 5678	

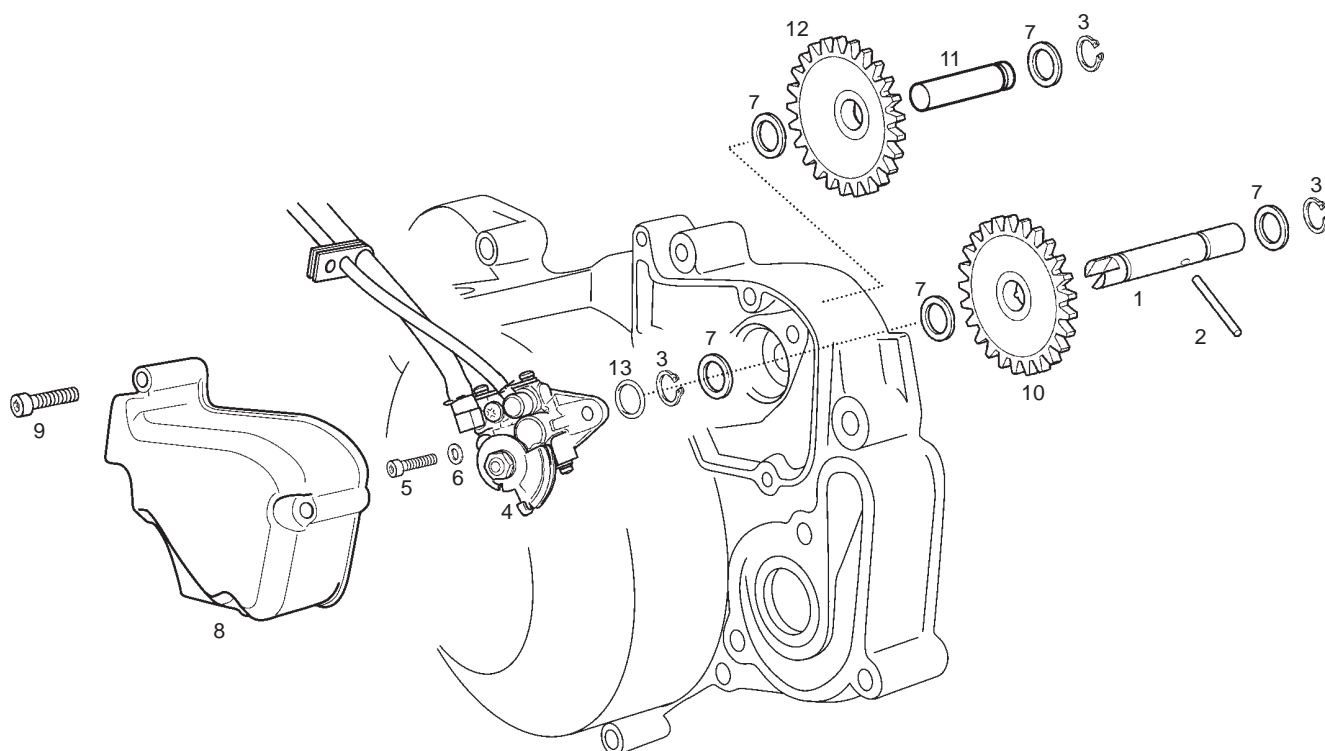


Fig.	Ver.	COD. KOD.	DESCRIPCIÓN DENOMINAZIONE NAME	BEZEICHNUNG DESIGNATION	MOD.	NOTAS NOTES NOTA MITSCHRIFT NOTES
01A		847052	EJE BOMBA ACEITE ASSE POMPA OLIO PUMPOIL AXLE	OLPUMPUNACHSE AXE DE POMPE D,HUILLE	1234 5678	
02A		847184	PASADOR EJE BOMBA CHIAVISTELLO SOSTEGNO SPIRALE FORK PIN	STIFT GOUDILLE	1234 5678	
03A		847182	ANILLO SEGURIDAD EJES D8 ANELLO SICUREZZA CIRCLIP	SEEGERRING CIRCLIP	1234 5678	
04A		847055	CTO. BOMBA ACEITE POMPA OLIO OIL PUMP	OLPUMPE POMPE A HUILLE	1234 5678	
05A		847227	TORNILLO C/ALLEN 5M80X15 VITE SCREW	SCHRAUBE VIS	1234 5678	
06A		847226	ARANDELA D5 RONDELLA WASHER	SCHEIBE RONDELLE	1234 5678	
07A		847183	ARANDELA TOPE PIÑON INTERMEDIO RONDELLA WASHER	SCHEIBE RONDELLE	1234 5678	
08A		00H03706011	TAPA BOMBA ACEITE COPERCHIO COVER	DECKEL COUVERCLE	1234 5678	
09A		00004154000	TORNILLO C/ALLEN 5M80X40 VITE SCREW	SCHRAUBE VIS	1234 5678	
10A		847051	PIÑON BOMBA ACEITE Z25 PIGNONE GEAR	ZAHNRAD PIGNON	1234 5678	
11A		847076	EJE PIÑONES INTERMEDIOS ASSE AXLE	ACHSE AXE	1234 5678	

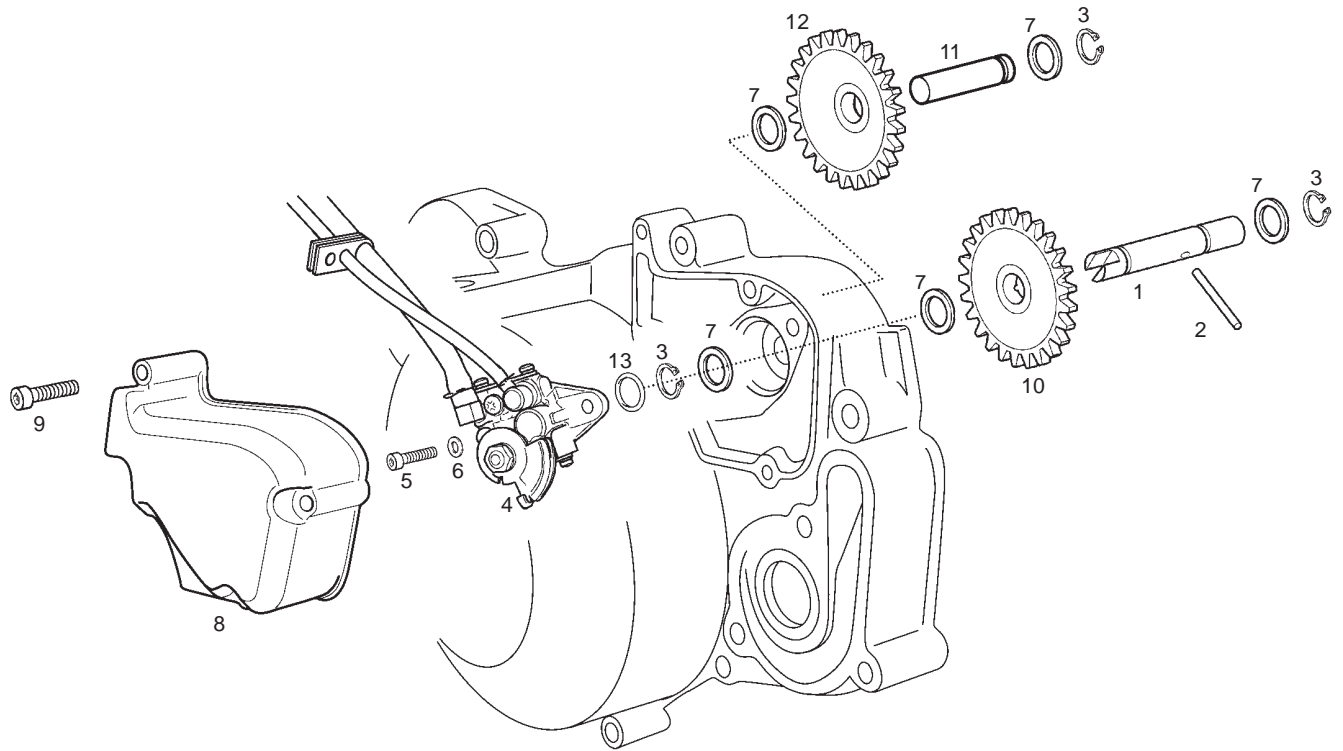


Fig.	Ver.	COD. KOD.	DESCRIPCIÓN DENOMINAZIONE NAME	BEZEICHNUNG DESIGNATION	MOD.	NOTAS NOTES NOTA MITSCHRIFT NOTES
12A		847053	PIÑÓN INTERMEDIO BOMBA Z13/24 PIGNONE GEAR	ZAHNRAD PIGNON	1234 5678	
13A		311163	JUNTA BOMBA ACEITE GUARNIZIONE GASKET	DICHTUNG JOINT	1234 5678	

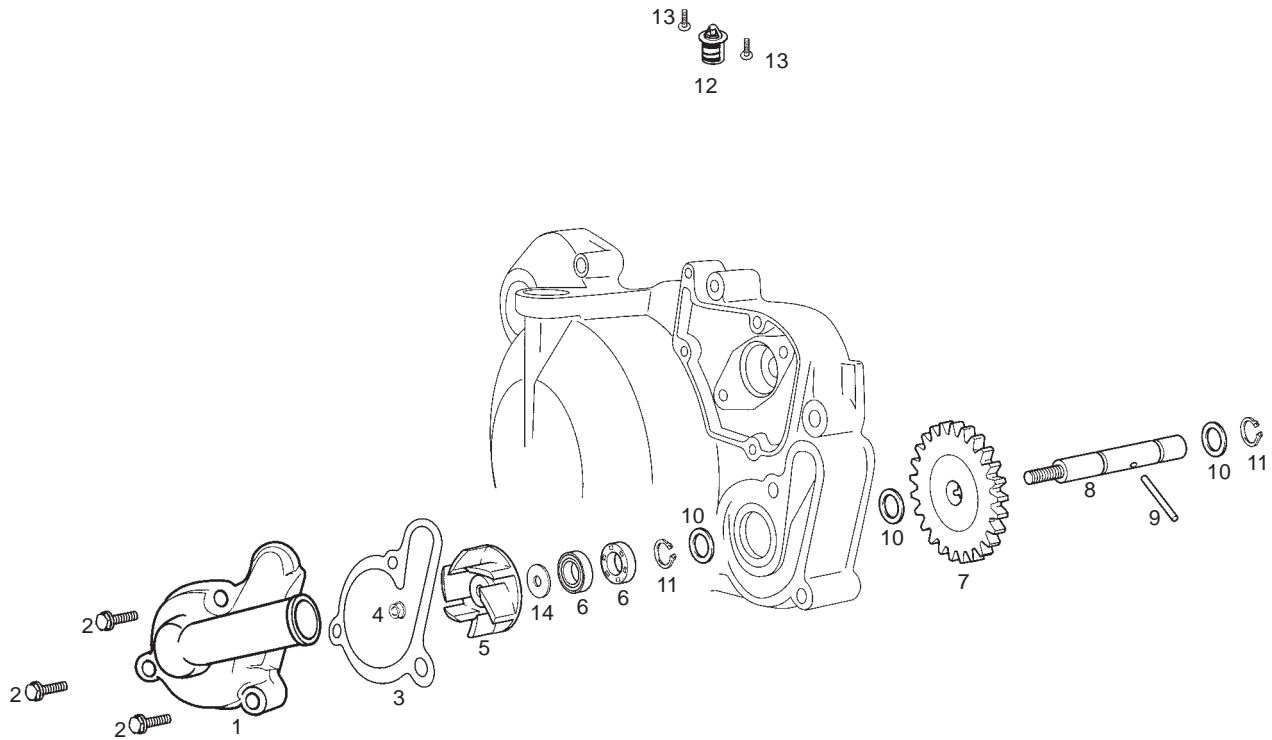


Fig.	Ver.	COD. KOD.	DESCRIPCIÓN DENOMINAZIONE NAME	BEZEICHUNG DESIGNATION	MOD.	NOTAS NOTES NOTA MITSCHRIFT NOTES
01A		CM150802	TAPA BOMBA AGUA COPERCHIO POMPA ACQUA WATER PUMP COVER	DECKEL F. WASSERPUMPE COUVERCLE DE POMPE D,EAU	1234 5678	
02A		CM149805	TORNILLO FIJACION 6X30 VITE SCREW	SCHRAUBE VIS	1234 5678	
03A		871688	JUNTA TAPA BOMBA AGUA GUARNIZIONE COPERCHIO GASKET	DICHTUNG F. WASSERPUMPENDE JOINT	1234 5678	
04A		847067	TUERCA 5M80 LATON DADO NUT	MUTTER ECROU	1234 5678	
05A		847079	RODETE BOMBA AGUA ROCCHETTO POMPA ACQUA WATER PUMP ROLLER	LAUFER F. WASSERPUMP CHIGNON POMPE D,EAU	1234 5678	
06A		847077	RETEN EJE BOMBA GIUNTO TENUTA SEAL	DICHTRING JOINT	1234 5678	
07A		847080	PIÑÓN BOMBA AGUA Z-32 PIGNONE GEAR	ZAHNRAD PIGNON	1234 5678	
08A		847078	EJE BOMBA AGUA ASSE POMPA ACQUA WATER-PUMP SHAFT	WASSERPUMPENACHSE AXE POMPE D,AEU	1234 5678	
09A		847184	PASADOR EJE BOMBA CHIAVISTELLO SOSTEGNO SPIRALE FORK PIN	STIFT GOUDILLE	1234 5678	
10A		847183	ARANDELA TOPE PIÑÓN INTERMEDIO RONDELLA WASHER	SCHEIBE RONDELLE	1234 5678	
11A		847182	ANILLO SEGURIDAD D8 ANELLO SICUREZZA CIRCLIP	SEEGERRING CIRCLIP	1234 5678	

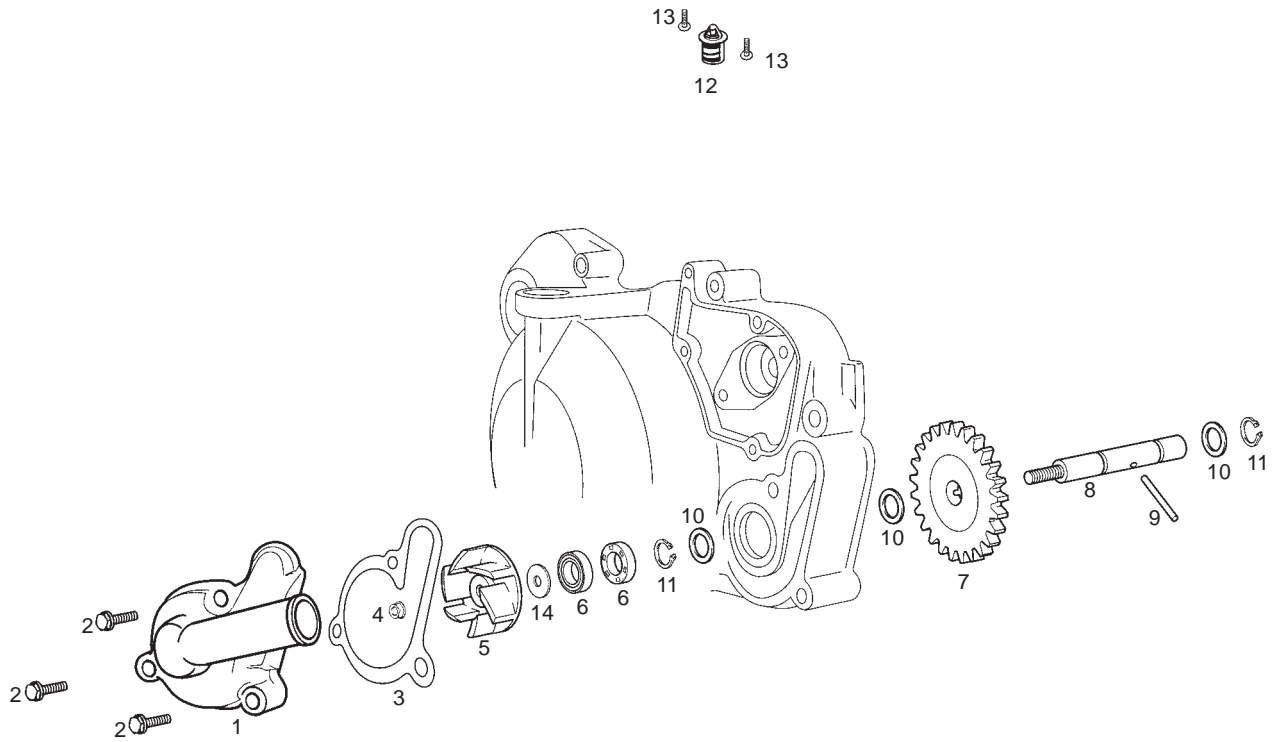


Fig.	Ver.	COD. KOD.	DESCRIPCIÓN DENOMINAZIONE NAME	BEZEICHNUNG DESIGNATION	MOD.	NOTAS NOTES NOTA MITSCHRIFT NOTES
12A		483395	INTERRUPTOR TERMICO INTERRUPTORE TERMICO THERMIC SWITCH	SCHALTER INTERRUPTEUR	1234 5678	
13A		847181	ARANDELA RONDELLA WASHER	SCHEIBE RONDELLE	1234 5678	

Fig.	Ver.	COD. KOD.	DESCRIPCIÓN DENOMINAZIONE NAME	BEZEICHNUNG DESIGNATION	MOD.	NOTAS NOTES NOTA MITSCHRIFT NOTES
01A		00H05400451	ÚTIL MONTAJE RETENES CIGÜEÑAL CRANKSHAFT OIL SEAL FITTIN TOOL UTENSILE MONTAGGIO FERMI ALBERO A GOMITE		1234 5678	
02A		00H05400581	ÚTIL MONTAJE RETÉN EJE ARRANQUE STARTER SHAFT OIL SEAL FITTIN TOOL UTENSILE MONTAGGIO FERMO ASSE AVVIAMENTO		1234 5678	
03A		00H05401561	ÚTIL MONTAJE RETÉN EJE SELECTOR SELECTOR SHAFT OIL SEAL FITTIN TOOL UTENSILE MONTAGGIO FERMO ASSE SELETTORE		1234 5678	
04A		00H05300041	ÚTIL FIJACIÓN CAMPANA DE EMBRAGUE CLUTHC BELL HOUSING SECURING TOOL UTENSILE FISSAGGIO CAMPANA FRIZIONE		1234 5678	
05A		00H05600241	ÚTIL MONTAJE CASQUILLO DE AGUJAS EJE PRIMARIO PRIMARY SHAFT NEEDLE BUSH FITTING TOOL UTENSILE MONTAGGIO CAPUCCHIO AGHI ASSE PRIMARIO		1234 5678	
06A		00H05300151	EMPUJADOR ABRIR MOTOR ENGINE OPENING PUSHER ELEMENTO DI SPINTA PER APRIRE IL MOTORE		1234 5678	
07A		00H05600351	PIVOTE GUÍA RETÉN EJE SECUNDARIO GPR GPR SECONDARY SHAFT OIL SEAL GUIDE PIVOT PERNO GUIDA FERMO ASSE SECONDARIO GPR		1234 5678	
08A		00F05300021	EXTRACTOR VOLANTE MAGNÉTICO ALTERNADOR ALTERNATOR MAGNETO EXTRACOR ESTRATTORE VOLANTE MAGNETICO ALTERNATORE		1234 5678	
09A		00G05300011	BLOQUEADOR GIRO VOLANTE MAGNÉTICO ALTERNADOR ALTERNATOR MAGNETO TURN LOCKER BLOCANTE GIRO VOLANTE MAGNETICO ALTERNATORE		1234 5678	
10A		00D05310091	PIÑÓN MOTOR SENDA SEND ENGINE PINION PIGNONE MOTORE SENDA		1234 5678	
11A		00H05600421	RETÉN EXTERIOR BOMBA DE AGUA WATER PUMP EXTERIOR OIL SEAL FERMO ESTERNO POMPA ACQUA		1234 5678	
12A		00H05600431	RETÉN INTERIOR BOMBA DE AGUA WATER PUMP INTERIOR OIL SEAL FERMO INTERIOR POMPA ACQUA		1234 5678	
13A		00H05100101	ÚTIL TRABAR PIÑÓN MOTOR ENGINE PINION FASTENING TOOL UTENSILE PER UNIRE IL PIGNONE MOTORE		1234 5678	
14A		00H05401451	JAULA EJE CONTRAPESO COUNTERWEIGHT SHAFT CAGE GABBIA ASSE CONTRAPPESO		1234 5678	
15A		00H05400461	RETÉN EJE CONTRAPESO COUNTERWEIGHT SHAFT OIL SEAL FERMO ASSE CONTRAPPESO		1234 5678	
16A		00H05601261	PIVOTE GUÍA EJE BOMBA AGUA WATER PUMP SHAFT WATER GUIDE PIVOT PERNO GUIDA ASSE POMPA ACQUA		1234 5678	
17A		00H05301841	PIVOTE GUÍA RETÉN EJE CIGÜEÑAL CRANKSHAFT JOURNAL OIL SEAL GUIDE PIVOT PERNO GUIDA FERMO ASSE ALBERO A GOMITO		1234 5678	

CODIGO CODE	Lám. Diagr.	Figr.	Vers.	CODIGO CODE	Lám. Diagr.	Figr.	Vers.	CODIGO CODE	Lám. Diagr.	Figr.	Vers.	CODIGO CODE	Lám. Diagr.	Figr.	Vers.
0000002825	12	04A		00008915020	07	21A		00402080001	10	18A		00F00900531	06	20A	
0000004612	13B	15A		00008915020	13A	09A		00402080001	12	15A		00F00900531	07	34A	
0000004625	02A	22A		00008915020	13B	09A		00402080001	12	05A		00F00900531	10	10A	
0000004630	03	20A		00011041300	10	11A		00402100001	01	23A		00F00920551	06	19A	
0000004835	02A	02A		00011051401	04	19A		00442060002	17	10A		00F01810411	01	33A	
00000012415	12	10A		00011051401	05A	22A		00D00200761	02A	05A		00F02201591	07	14A	
00000021060	03	21A		00011051401	05B	22A		00D00900531	06	21A		00F03300731	22	10A	01
00000023040	05A	18A		00011051401	05C	22A		00D00900531	07	03A		00F03310741	22	08A	
00000023040	05B	18A		00011061300	07	37A		00D00900531	07	35A		00F03710131	04	16A	
00000023040	05C	18A		00011141300	03	09A		00D00900531	13A	05A		00F03710131	13A	07A	
00000023051	05A	26A		00011141300	13A	22A		00D00900531	13B	05A		00F03710131	13B	07A	
00000023051	05B	26A		00011141300	13B	22A		00D01000701	06	24A		00F03710241	13A	27A	
00000023051	05C	26A		00012045000	07	07A		00D01100201	10	04A		00F03710241	13B	27A	
00000023060	05A	29A		00012051200	07	16A		00D01200171	03	14A		00F04201361	12	11A	
00000023060	05B	29A		00012061000	03	17A		00D01200171	04	29A		00F04700121	08	20A	
00000023060	05C	29A		00012061200	03	13A		00D01200171	04	34A		00F05300021	25	08A	
00000023060	07	24A		00012061200	04	20A		00D01200171	07	23A		00G00200112	02A	06A	
00000031040	05A	17A		00012061200	05A	03A		00D01300192	03	06A		00G00400181	04	11A	
00000031040	05B	17A		00012061200	05B	03A		00D01301401	08	07A		00G00400501	04	10A	
00000031040	05C	17A		00012061200	05C	03A		00D01303401	09	14A		00G00400501	13A	30A	
00000031050	03	10A		00012061200	07	30A		00D01500021	05A	20A		00G00400501	13B	30A	
00000031050	05A	21A		00012082001	12	14A		00D01500021	05B	20A		00G01401321	04	03A	
00000031050	05B	21A		00012083001	09	07A		00D01500021	05C	20A		00G01500951	12	13A	
00000031050	05C	21A		00012151500	10	22A		00D01500021	11	05A		00G01503701	10	06A	
00000031060	02A	23A		00012152000	05A	23A		00D01500471	04	36A		00G02200692	13A	17A	
00000031070	03	22A		00012152000	05B	23A		00D01500471	07	22A		00G02200692	13B	17A	
00000033040	18	25A		00012152000	05C	23A		00D01500552	04	22A		00G03200061	21	09A	
00000036100	19	17A		00012152000	11	02A		00D01500552	13A	11A		00G03200101	21	19A	
00000056205	01	14A		00012161600	04	30A		00D01500552	13B	11A		00G03200511	21	11A	
00000061040	19	18A		00014041200	06	09A		00D01501371	03	12A		00G03200541	21	15A	
00001213190	03	18A		00022084021	01	04A		00D01501371	04	28A		00G03200551	21	16A	
00002041050	18	24A		00022084521	01	07A		00D01501371	04	32A		00G03200721	21	17A	
00002051251	06	23A		00023108000	01	05A		00D01501371	05A	08A		00G03200731	21	18A	
00002061011	13B	12A		00023108000	01	13A		00D01501371	05B	08A		00G03201071	21	10A	
00002062011	12	03A		00023108000	10	20A		00D01501371	05C	08A		00G03201091	21	21A	
00002062511	05A	28A		00023108000	12	16A		00D01501371	07	28A		00G03201371	21	12A	
00002062511	05B	28A		00023108000	12	06A		00D01501371	13A	06A		00G03204272	04	13A	
00002062511	05C	28A		00023112000	03	32A		00D01501371	13B	06A		00G03301271	22	09A	
00002062511	17	09A		00026005000	07	18A		00D01501371	22	12A		00G03301401	22	13A	
00002082021	11	07A		00031105000	05A	32A		00D01520096	01	20A		00G03301731	22	10A	
00002083001	08	15A		00031105000	05B	32A		00D01540456	01	21A		00G03800601	13A	04A	
00002083001	10	28A		00031105000	05C	32A		00D02600631	07	17A		00G03801701	13A	12A	
00002212070	09	19A		00031106000	07	09A		00D02600631	10	21A		00G03801701	13B	34A	
00002215152	01	25A		00031120123	03	35A		00D02600631	11	03A		00G03900821	20	19A	
00002503230	03	04A		00032015000	08	04A		00D02600631	12	12A		00G04102131	21	20A	
00002518790	01	17A		00032015000	08	08A		00D02600631	13A	23A		00G04401462	05A	24A	
00003112322	03	03A		00032015000	09	03A		00D02600631	13B	23A		00G04401462	05B	24A	
00003115422	03	23A		00034000802	08	17A		00D03700131	04	12A		00G04401462	05C	24A	
00003127200	19	19A		00034000802	10	27A		00D03700131	13A	31A		00G04401462	07	42A	
00003306570	01	35A		00036008000	01	02A		00D05310091	25	10A		00G04401462	10	23A	
00003710110	07	31A		00037000600	19	21A		00D05900031	13A	25A		00G04613921	06	28A	
00003710120	07	32A		00047030400	04	04A		00D05900081	04	37A		00G04700141	10	26A	
00004154000	23	09A		00047030900	19	16A		00D05900081	05A	02A		00G05300011	25	09A	
00004162500	19	20A		00058020200	08	05A		00D05900081	05A	10A		00G06800021	22	11A	
00005010760	06	25A		00058020200	09	05A		00D05900081	05B	02A		00H00200701	02A	18A	
00005527540	10	19A		00073481964	04	31A		00D05900081	05B	10A		00H00201111	02A	13A	
00005551290	14	03A		00092061214	13A	15A		00D05900081	05C	02A		00H00201441	02A	20A	
00006309260	06	26A		00262080022	01	08A		00D05900081	05C	10A		00H00201531	02A	12A	
00006321040	06	12A		00262100032	01	27A		00D05900081	07	26A		00H00201581	02A	21A	
00006321040	10	03A		00262120032	03	07A		00D05900081	13B	10A		00H00201741	02A	01A	
00008061500	07	27A		00402060001	05A	16A		00D05910081	12	08A		00H00202101	02A	11A	
00008063000	07	41A		00402060001	05B	16A		00F00400131	04	07A		00H00202151	02A	09A	
00008902630	01	11A		00402060001	05C	16A		00F00400771	04	08A		00H00202201	02A	16A	
00008915020	04	21A		00402080001	01	03A		00F00403321	04	14A		00H00202231	02A	17A	

CODIGO CODE	Lám. Diagr.	Figr.	Vers.	CODIGO CODE	Lám. Diagr.	Figr.	Vers.	CODIGO CODE	Lám. Diagr.	Figr.	Vers.	CODIGO CODE	Lám. Diagr.	Figr.	Vers.
00H00203261	02A	15A		00H01001701	10	07A		00H01503101	01	31A		00H03404321	12	09A	
00H00203471	02A	19A		00H01001911	07	02A		00H01503741	07	15A		00H03454081	12	01A	
00H00204191	02A	14A		00H01005311	07	29A		00H01508181	03	11A		00H03700131	10	09A	
00H00204271	02A	08A		00H01009321	07	12A		00H01511191	03	24A		00H03700461	20	18A	
00H00206171	02A	10A		00H01013011	07	06A		00H01600911	11	04A		00H03701411	13A	29A	
00H00208091	02A	03A		00H01047301	07	01A		00H01633521	11	01A		00H03701411	13B	29A	
00H00209011	02A	07A		00H01100172	10	17A		00H01644521	11	01C		00H03703051	13A	28A	
00H00231002	02A	04A		00H01101731	10	05A		00H01645521	11	01B		00H03703051	13B	28A	
00H00300672	08	18A		00H01102072	10	15A		00H01701011	07	40A		00H03704081	13A	26A	
00H00300672	09	15A		00H01103211	10	08A		00H01704311	07	38A		00H03704081	13B	26A	
00H00300891	03	31A		00H01103611	10	14A		00H01706021	07	39A		00H03706011	23	08A	
00H00301401	03	05A		00H01106181	10	12A		00H01801771	01	15A		00H03800751	13A	14A	
00H00301701	03	26A		00H01110581	10	13A		00H01802081	05A	15A		00H03800751	13A	33A	
00H00301801	03	25A		00H01111081	10	01A		00H01802081	05B	15A		00H03800751	13B	14A	
00H00301851	03	28A		00H01120021	10	16A		00H01802081	05C	15A		00H03800751	13B	18A	
00H00301861	03	29A		00H01201331	08	16A		00H01804331	03	08A		00H03800751	13B	31A	
00H00301871	03	27A		00H01202271	08	02A		00H01809541	04	25A		00H03801961	13A	20A	
00H00303892	03	37A		00H01203031	08	22A		00H01810391	12	07A		00H03801961	13B	21A	
00H00325971	03	01A		00H01204714	08	03A		00H01978601	01	01A		00H03802031	13A	16A	
00H00400501	13A	18A		00H01207101	08	10A		00H02015031	02A	25A		00H03802091	13A	24A	
00H00400501	13A	21A		00H01208191	08	13A		00H02015041	02A	24A		00H03802472	13A	03A	
00H00400501	13B	20A		00H01211082	08	06A		00H02100191	06	07A		00H03802472	13B	03A	
00H00400501	13B	33A		00H01211083	08	06B		00H02100861	06	08A		00H03802751	13A	08A	
00H00404051	04	24A		00H01211083	08	06C		00H02100901	06	22A		00H03802751	13B	08A	
00H00410011	04	09A		00H01218111	08	09A		00H02101011	06	18A		00H03804971	13A	32A	
00H00415681	04	01A		00H01224021	08	11A		00H02101621	06	02A		00H03805011	13A	01A	
00H00502901	05A	30A		00H01301491	03	36A		00H02105082	06	05A		00H03805011	13B	01A	
00H00502901	05B	30A		00H01301731	09	21A		00H02105612	06	27A		00H03805301	13A	19A	
00H00502901	05C	30A		00H01301831	08	21A		00H02200681	06	13A		00H03805301	13B	19A	
00H00557692	05A	06A		00H01302052	09	08A		00H02201302	01	24A		00H03808021	13A	13A	
00H00557702	05A	07A		00H01303091	09	22A		00H02201312	01	06A		00H03808021	13B	13A	01
00H00606021	04	18A		00H01303201	09	02A		00H02201521	03	19A		00H03810501	13A	02A	
00H00620161	05A	14A		00H01303521	10	29A		00H02201591	05A	19A		00H03810501	13B	02A	
00H00625011	04	17C		00H01303691	08	12A		00H02201591	05B	19A		00H04101181	21	06A	
00H00625012	04	17B		00H01303691	09	20A		00H02201591	05C	19A		00H04103771	21	22A	
00H00625013	04	17A		00H01304202	03	02A		00H02207671	06	29A		00H04302181	04	06A	
00H00705121	05A	13A		00H01304811	03	15A		00H02239372	07	05A		00H04415771	05A	04C	
00H00705121	05B	13A		00H01306181	09	04A		00H02300961	07	36A		00H04415772	05A	04B	
00H00705121	05C	13A		00H01306352	09	13B		00H02304501	07	08A		00H04415773	05A	04A	
00H00718341	05A	11A		00H01306353	09	13A		00H02305381	06	14A		00H04415781	05A	05C	
00H00718341	05B	11A		00H01306824	09	16A		00H02401282	09	10A		00H04415782	05A	05B	
00H00718341	05C	11A		00H01308531	09	09A		00H02402282	08	19A		00H04415783	05A	05A	
00H00722021	05A	01A		00H01309352	09	13C		00H02410331	09	01B		00H04603841	07	20A	
00H00722021	05B	01A		00H01309361	09	12A		00H02410331	09	01C		00H04605841	07	19A	
00H00722022	05A	01C		00H01315321	09	11A		00H02410332	09	01A		00H04701171	10	25A	
00H00722022	05B	01B		00H01331031	09	06A		00H02500272	01	18A		00H04702121	10	02A	
00H00722022	05C	01B		00H01500421	03	33A		00H02501491	20	28A		00H04703141	08	14A	
00H00722023	05A	01B		00H01500691	04	35A		00H02703421	17	02A		00H04725081	08	01B	
00H00722023	05C	01A		00H01501212	09	18A		00H02800421	18	23A		00H04725081	08	01C	
00H00800422	01	28A		00H01501501	01	30A		00H02813371	18	22A		00H04725082	08	01A	
00H00804081	01	10A		00H01501701	05A	09A		00H02902252	19	15A		00H04903292	01	22A	
00H00805072	01	12A		00H01501701	05B	09A		00H03000272	01	26A		00H05100101	25	13A	
00H00820011	01	09A		00H01501701	05C	09A		00H03007241	20	06A		00H05101011	14	04A	
00H00900871	06	10A		00H01501811	05A	25A		00H03203711	21	14A		00H05101561	14	02A	
00H00903291	06	16A		00H01501811	05A	27A		00H03204231	21	13A		00H05155121	14	01A	
00H00906012	06	01B		00H01501811	05B	25A		00H03204281	21	08A		00H05159651	05A	33C	
00H00906013	06	01A		00H01501811	05B	27A		00H03206421	21	04A		00H05159652	05A	33B	
00H00906203	06	06A		00H01501811	05C	25A		00H03207211	21	02A		00H05159653	05A	33A	
00H00917301	06	17A		00H01501811	05C	27A		00H03207261	04	33A		00H05300041	25	04A	
00H00919751	06	11A		00H01501811	10	24A		00H03208031	21	05A		00H05300151	25	06A	
00H00930071	06	15A		00H01502101	01	29A		00H03208491	04	27A		00H05301841	25	17A	
00H00930091	06	04A		00H01502201	09	17A		00H03209251	04	26A		00H05400451	25	01A	
00H00931171	06	03A		00H01502501	01	32A		00H03214431	21	03A		00H05400461	25	15A	
00H01000131	07	10A		00H01502871	03	16A	01	00H03330171	22	07A		00H05400581	25	02A	

CODIGO CODE	Lám. Diagr.	Figr.	Vers.	CODIGO CODE	Lám. Diagr.	Figr.	Vers.	CODIGO CODE	Lám. Diagr.	Figr.	Vers.	CODIGO CODE	Lám. Diagr.	Figr.	Vers.
00H05401451	25	14A		847047	16	14A		847217	16	02A		862543	13B	24A	
00H05401561	25	03A		847048	16	16A		847218	16	04A		862544	13B	25A	
00H05600241	25	05A		847051	23	10A		847220	16	05A		863693	12	17A	
00H05600351	25	07A		847052	23	01A		847221	16	06A		863989	03	30A	
00H05600421	25	11A		847053	23	12A		847223	16	21A		864099	04	02A	
00H05600431	25	12A		847055	23	04A		847224	16	15A		864453	02B	16A	
00H05601261	25	16A		847056	19	08A		847225	16	17A		864660	07	25A	
00H05700101	07	13A		847057	19	10A		847226	23	06A		86466400WNO	07	05C	
00H05700481	07	04A		847058	19	11A		847227	23	05A		86466600WNO	05C	14A	
00H05701061	07	33A		847059	19	12A		847228	17	08A		86466601WNO	05C	14B	
00H05703141	07	11A		847060	19	07A		847228	19	01A		86466900WNO	05C	06A	
00H05900021	13A	10A		847061	19	06A		847229	19	03A		86466901WNO	05C	06B	
00H05908251	01	34A		847062	19	09A		847230	19	13A		86467100WNO	05C	07A	
00H06201061	04	15A		847067	24	04A		847231	19	14A		86467101WNO	05C	07B	
00H06300771	22	14A		847068	17	06A		847232	19	05A		86467300WNO	05C	04A	
00H06300771	05A	31A		847069	17	04A		847233	22	05A		86467600WNO	05C	05A	
00H06300771	05B	31A		847070	17	05A		847234	22	03A		86468600WB1	05C	04B	
00H06300771	05C	31A		847073	17	03A		847235	22	02A		86468800WB1	05C	05B	
00H06300791	11	08A		847074	19	04A		847236	17	01A		864880	02B	21A	
00H06303401	01	16A		847075	16	19A		847237	20	07A		864881	02B	22A	
00H06303752	04	05A		847075	17	07A		847238	20	08A		864882	02B	03A	
00H06500451	01	19A		847076	23	11A		847239	20	13A		864884	02B	01A	
00H06800471	03	34A		847077	24	06A		847240	20	12A		864885	02B	04A	
00K05110651	05A	12A		847078	24	08A		847241	20	03A		864886	02B	05A	
00K05110651	05B	12A		847079	24	05A		8472625001	15	02A		864887	02B	06A	
00K05110651	05C	12A		847080	24	07A		8472625002	15	02B		864888	02B	07A	
311163	23	13A		847081	18	31A		8472625003	15	02C		864889	02B	08A	
436947	15	14A		847083	16	18A		8472625004	15	02D		864890	02B	09A	
483395	24	12A		847084	20	05A		847508	15	01A		864891	02B	10A	
484704	21	07A		847085	22	06A		847529	15	17A		864892	02B	11A	
828152	20	25A		847086	18	03A		847541	18	16A		864893	02B	12A	
82829R	22	01A		847087	20	14A		847542	18	14A		864895	02B	14A	
82835R	16	10A		847090	16	22A		847544	18	02A		864897	02B	17A	
847006	15	03A		847091	20	11A		847545	18	18A		864899	02B	19A	
847007	15	18A		847092	20	21A		847546	18	17A		864900	02B	20A	
847008	15	15A		847093	20	20A		847547	18	34A		864901	02B	23A	
847009	15	07A		847096	20	31A		847548	18	15A		864902	02B	24A	
847010	15	10A		847098	16	01A		847549	18	11A		864903	02B	25A	
847012	15	04A		847153	18	07A		847550	18	13A		864904	02B	02A	
847014	15	08A		847154	18	21A		86107R	07	01B		864905	02B	13A	
847015	20	16A		847155	18	09A		86128R	12	02A		864906	02B	15A	
847019	18	19A		847156	18	10A		86133R	03	16A		864907	02B	18A	
847020	15	11A		847157	18	08A		86137R	11	06A		864944	05C	33A	
847020	15	13A		847158	18	30A		86138R	13B	13A		864945	05C	33B	
847021	18	04A		847159	18	35A		86246100WA3	04	01C		865002	02A	26A	
847022	20	02A		847172	15	12A		86246100WB1	04	01B		865366	04	23A	
847023	20	10A		847174	20	27A		86247400WA3	05B	04C		871319	20	30A	
847023	20	29A		847178	15	05A		86247400WB1	05B	04B		871688	24	03A	
847024	20	17A		847179	16	09A		86247400WNO	05B	04A		CM149801	20	09A	
847026	15	09A		847180	20	15A		86247500WA3	05B	05C		CM149802	19	02A	
847027	18	01A		847181	24	13A		86247500WB1	05B	05B		CM149804	15	19A	
847028	18	06A		847182	23	03A		86247500WNO	05B	05A		CM149804	20	22A	
847029	18	36A		847182	24	11A		86247800WNO	05B	06A		CM149805	24	02A	
847030	18	27A		847183	23	07A		86247900WNO	05B	07A		CM149806	20	23A	
847031	18	37A		847183	24	10A		86248000WNO	07	05B		CM149808	20	24A	
847032	18	26A		847184	23	02A		86248100WNO	05B	14B		CM149809	20	26A	
847036	18	32A		847184	24	09A		86248200WNO	05B	14A		CM1503015	20	01A	
847038	18	29A		847209	18	20A		86248400WA3	05B	33C		CM150703	20	04A	
847040	16	11A		847210	18	05A		86248400WB1	05B	33B		CM150802	24	01A	
847042	16	12A		847211	18	12A		86248400WNO	05B	33A		CM151201	16	20A	
847043	16	07A		847213	18	33A		86248500WG2	04	17D		CM151902	15	06A	
847044	16	08A		847214	18	28A		862493	13B	16A		CM152702	21	01A	
847045	16	03A		847215	15	16A		862541	13B	04A					
847046	16	13A		847215	22	04A		862542	13B	32A					