

# NACIONAL MOTOR, S.A.U. DERBI

C/ Barcelona, nº19 - Martorelles 08107 - BARCELONA (SPAIN)

Tel. 93 565 78 78 - Fax 93 565 78 52

---

# DERBI



---

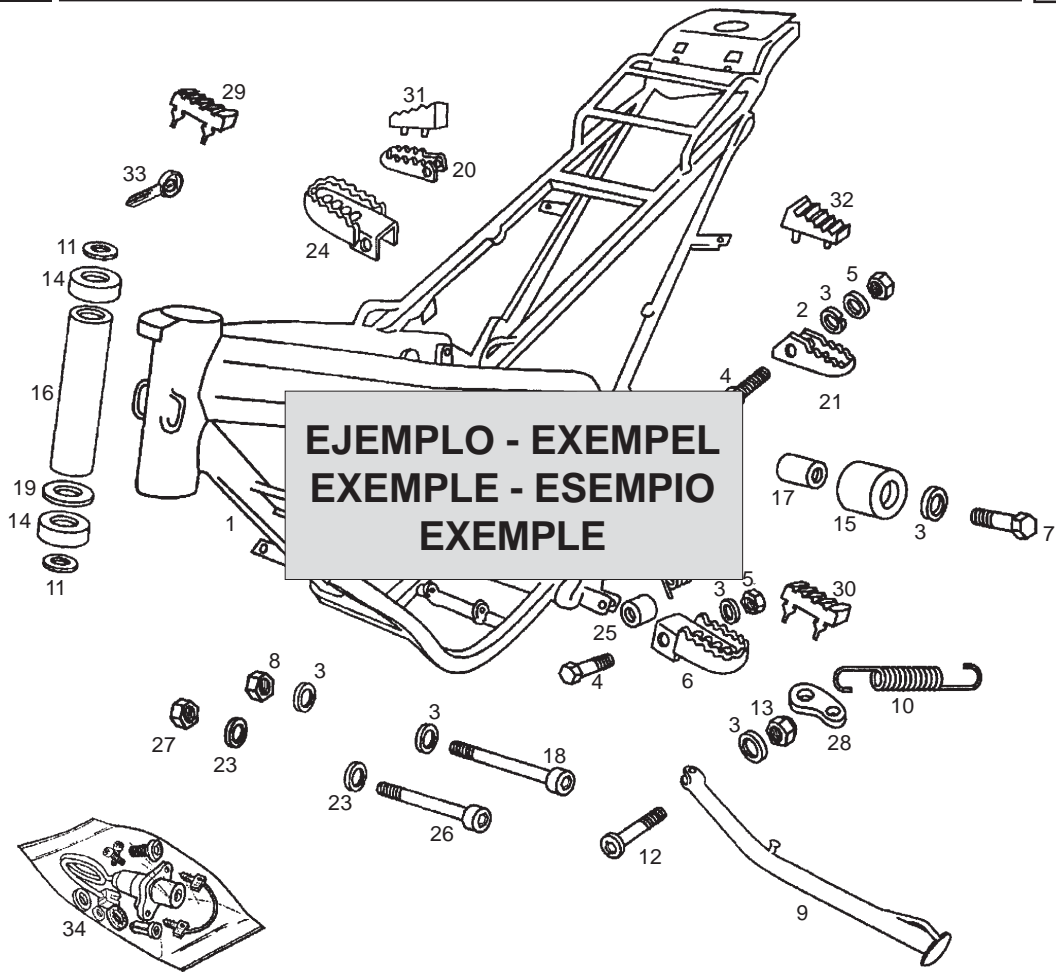
## SENDA SM DRD EDITION BLACK 2005 E2

---

CÓDIGO CATÁLOGO  
CATALOGUE NUMBER

7077CH05006





| Fig. | Ver. | COD. KOD.   | DESCRIPCIÓN DENOMINAZIONE NAME                                  | BEZEICHNUNG DESIGNATION | MOD. | NOTAS NOTES NOTA MITSCHRIFT NOTES |
|------|------|-------------|---|-------------------------|------|-----------------------------------|
|      |      | 00G01924601 | R-SCTO.CUADRO C/COJIN. ATLANTIS<br>TELAIO<br>FRAME SUB-ASSEMBLY | RHAMEN<br>CADRE COMPLET | 12   | XXXXXXX                           |
| ②    | 01   | 00G01924601 | R-SCTO.CUADRO C/COJIN. ATLANTIS<br>TELAIO<br>FRAME SUB-ASSEMBLY | RHAMEN<br>CADRE COMPLET | 12   | XXXXXXX                           |
| ③    | 02   | 00G01924601 |   |                         |      |                                   |
| ④    | 03   | 00G01924601 | R-SCTO.CUADRO C/COJIN. ATLANTIS<br>TELAIO<br>FRAME SUB-ASSEMBLY | RHAMEN<br>CADRE COMPLET | 12   | XXXXXXX                           |

1- Código de localización de piezas. 2- Código indicativo de pieza reemplazada. 3- Código indicativo de pieza anulada. 4- Código indicativo de pieza restituida (esta se monta de nuevo). 5- Código de referencia de la pieza. 6- Identificación de modelos. 7- Los códigos de esta casilla indican que, a partir del número de chasis o motor indicado dentro de esta, se monta una nueva pieza que reemplaza a la anterior (sección 2), que una pieza no se monta (sección 3), o que la pieza anulada se monta de nuevo (sección 4), y concierne a los modelos indicados (sección 6). 8- Denominación de la pieza.

1- Codice di localizzazione pezzi. 2- Codice indicatore del pezzo sostituito. 3- Il pezzo precedente non si monta. 4- Codice indicatore dei pezzi che si tornano a montare. 5- Codice di identificazione del pezzo. 6- Identificazione del modello. 7- Il codice di questa casella indica che, dal numero di Telaio/motore indicato, si monta un nuovo pezzo che sostituisce il precedente (sezione 2), che un pezzo non si monta (sezione 3), oppure che il pezzo annullato si monta di nuovo (sezione 4), facendo riferimento al modello indicato (sezione 6). 8- Denominazione del pezzo.

1- Part location number. 2- Substituted part number. 3- Withdrawn part number (no longer fitted). 4- Restored part number (newly fitted being withdrawn). 5- Part reference number. 6- Model identification number. 7- Chassis or engine number from which a new part is fitted substituting a part which has been withdrawn (see para 2) or a part is withdrawn is fitted again (see para 4), in the models indicated (see para 6). 8- Part identification label.

1- Zeichnungs - Nummer. 2- Ausführung. 3- Gestrichene Ersatzteilnummer. 4- Ersetzte Ersatzteilnummer. 5- Ersatzteilnummer. 6- Modell - Nummer. 7- Rhamen - order motonummer, für die ein neues teil eingestzt wird, z.b. eine nummer, die geändert (s. para 2), order ein teil, das gestrichen wurde (s.para 3), order ein teil, das vorübergehend verschiedene modelle (s. para 6) 8- Bezeichnung.

1- Code de localisation de la pièce. 2- Code indicateur de pièce remplace par un autre. 3- Code indicateur de pièce annulé (elle n'est plus montée). 4- Code indicateur de pièce restituée (elle se monte à nouveau). 5- Code référence de la pièce. 6- Les codes de cette case indiquant qu'à partir de numero 7- Chassis ou de moteur indiqué, un nouvelle pièce est montée en remplacement d'une autre (section 2), qu'une pièce n'est plus montée (section 3) ou la pièce anulée est montée à nouveau (section 4) et concernant les modèles indiqués (section 6). 8- Denomination de la pièce.

**IDENTIFICACION DE MODELOS REPRESENTADOS EN ESTE  
CATALOGO SEGUN LOS DIGITOS SIGUIENTES**

**IDENTIFICAZIONE DEI MODELLI RAPPRESENTATI IN QUESTO CATALOGO  
SECONDO I NUMERI A SEGUIRE**

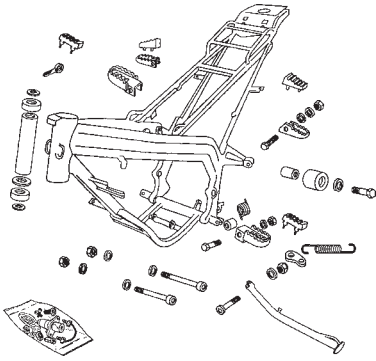
**THE MODELS REFERRED INTO THIS CATALOGUE ARE IDENTIFIED  
BY FOLLOWING NUMBERS**

**BESTIMMUNG DER VERSCHIEDENEN MODELLE IN DIESEM KATALOG**

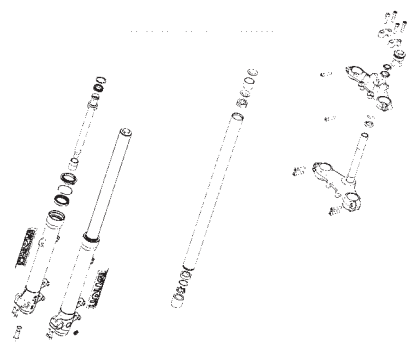
**IDENTIFICATION DES MODELOES REPRESENTES DANS CE CATALOGUE.  
EN FONCTION DES CODES SUIVANTS**

| MODELO<br>MODELLI<br>MODEL<br>MODELL<br>MODELE | DENOMINACION<br>DENOMINAZIONE<br>MODEL NAME<br>BEZEICHNUNG<br>DENOMINATION   | CODIGO MODELO<br>CODICE MODELLI<br>CODE MODEL<br>KODE MODELL<br>CODE MODELE |
|--|--|---|
| 1  | SENDA SM DRD EDITION BLACK ESPAÑA 2005 E2<br>SENDA SM DRD EDITION BLACK FRANCE 2005 E2<br>SENDA SM DRD EDITION BLACK ENGLAND 2005 E2<br>SENDA SM DRD EDITION BLACK ITALY 2005 E2 | 00H00032E580<br>00H00032F580<br>00H00032G580<br>00H00032 I 580              |
| 2  | SENDA SM DRD EDITION BLACK AUSTRIA 2005 E2<br>SENDA SM DRD EDITION BLACK BENELUX 2005 E2   | 00H00032U580<br>00H00032X580  |
| 3  | SENDA SM DRD EDITION BLACK SCANDINAVIA 2005 E2   | 00H00032V580  |

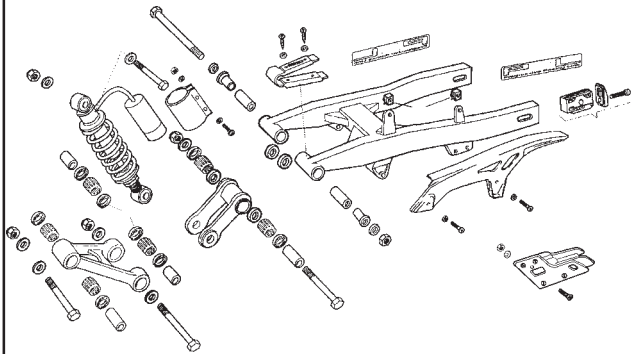
LAMINA / STAMPA / DIAGRAM / BILD / FEUILLE - 1



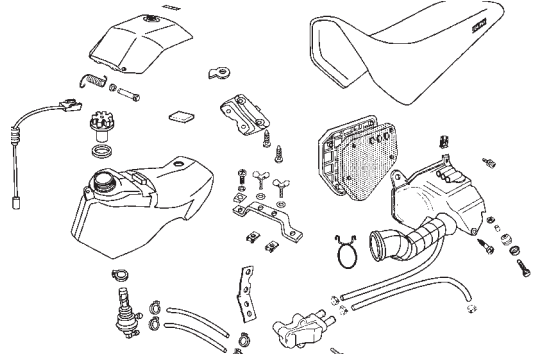
LAMINA / STAMPA / DIAGRAM / BILD / FEUILLE - 2



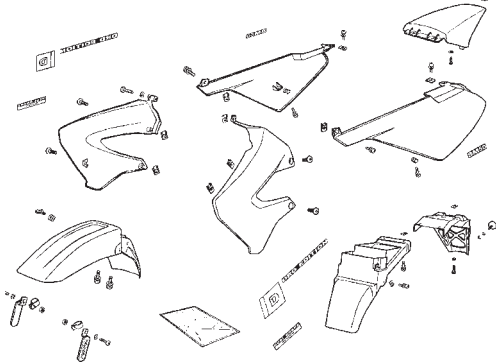
LAMINA / STAMPA / DIAGRAM / BILD / FEUILLE - 3



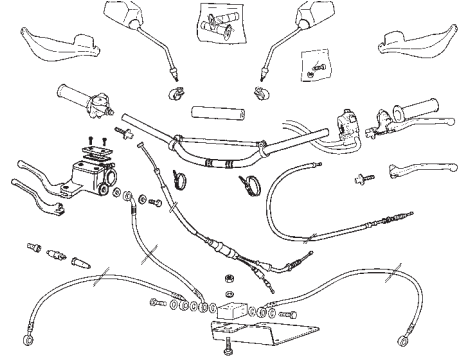
LAMINA / STAMPA / DIAGRAM / BILD / FEUILLE - 4



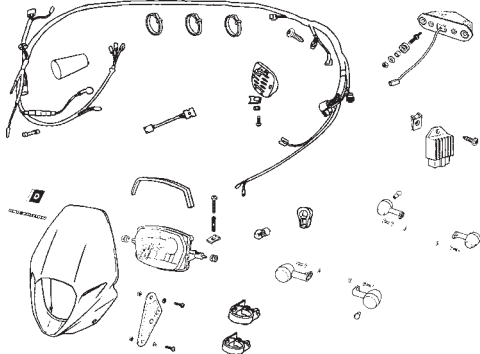
LAMINA / STAMPA / DIAGRAM / BILD / FEUILLE - 5



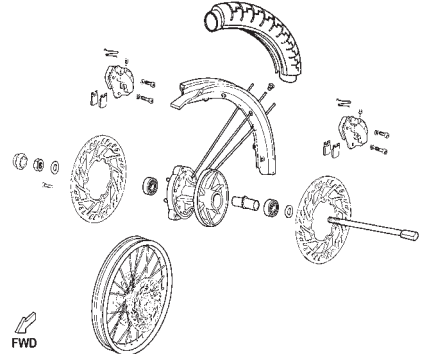
LAMINA / STAMPA / DIAGRAM / BILD / FEUILLE - 6



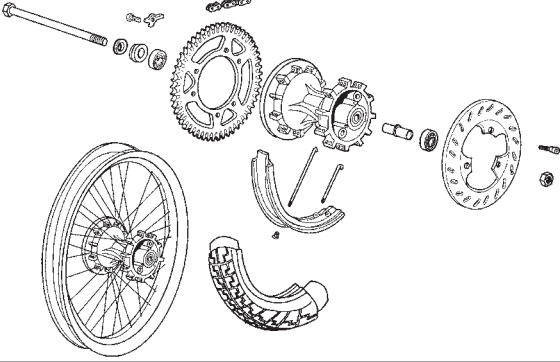
LAMINA / STAMPA / DIAGRAM / BILD / FEUILLE - 7



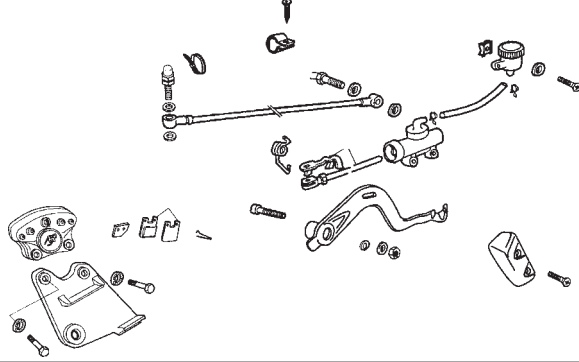
LAMINA / STAMPA / DIAGRAM / BILD / FEUILLE - 8



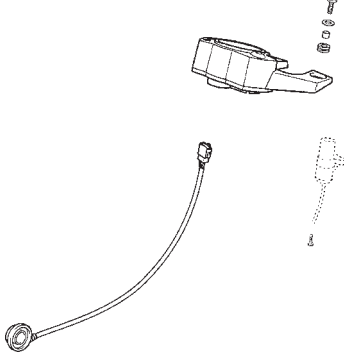
LAMINA / STAMPA / DIAGRAM / BILD / FEUILLE - 9



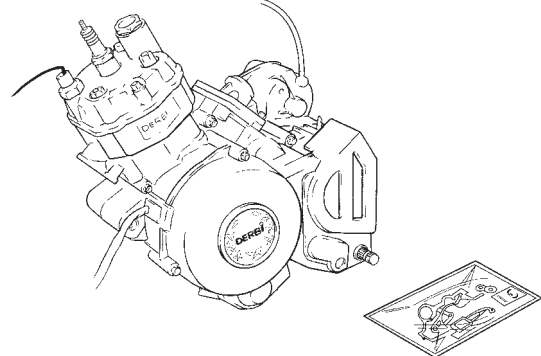
LAMINA / STAMPA / DIAGRAM / BILD / FEUILLE - 10



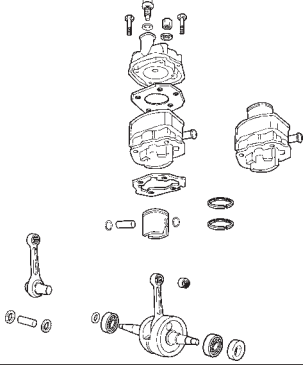
LAMINA / STAMPA / DIAGRAM / BILD / FEUILLE - 11



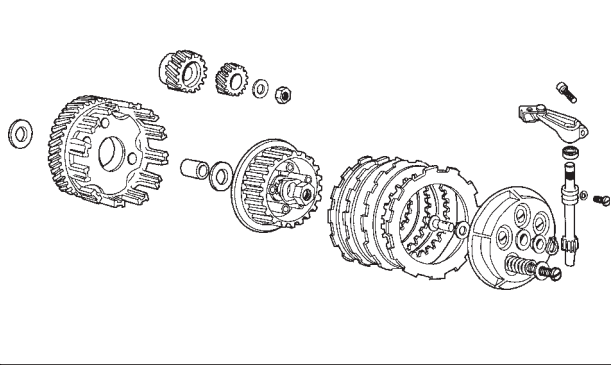
LAMINA / STAMPA / DIAGRAM / BILD / FEUILLE - 12



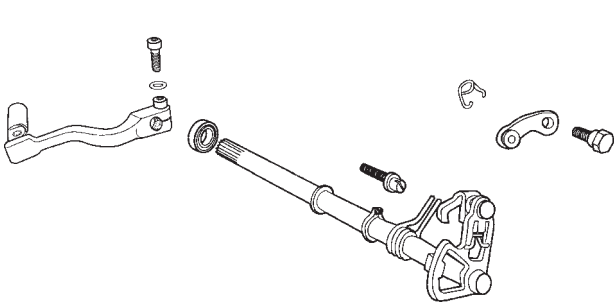
LAMINA / STAMPA / DIAGRAM / BILD / FEUILLE - 13



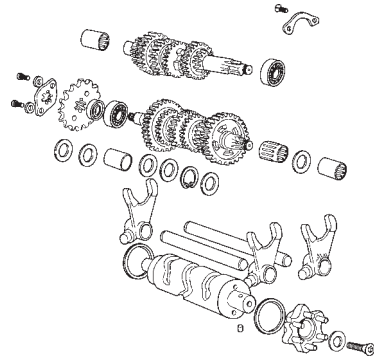
LAMINA / STAMPA / DIAGRAM / BILD / FEUILLE - 14



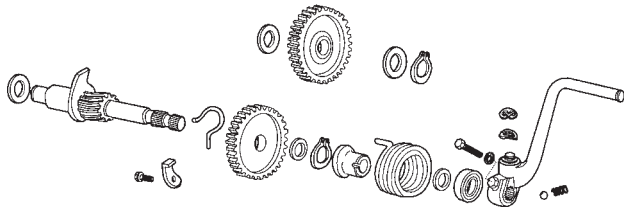
LAMINA / STAMPA / DIAGRAM / BILD / FEUILLE - 15



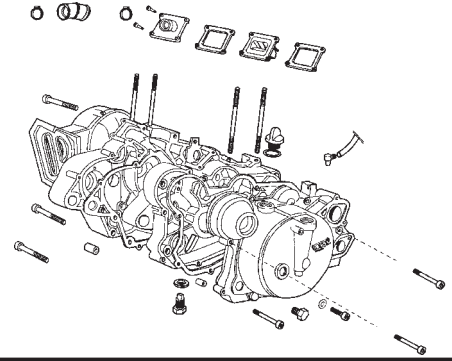
LAMINA / STAMPA / DIAGRAM / BILD / FEUILLE - 16



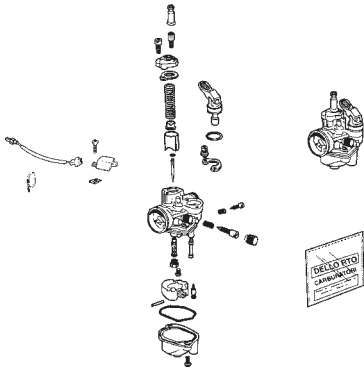
LAMINA / STAMPA / DIAGRAM / BILD / FEUILLE - 17



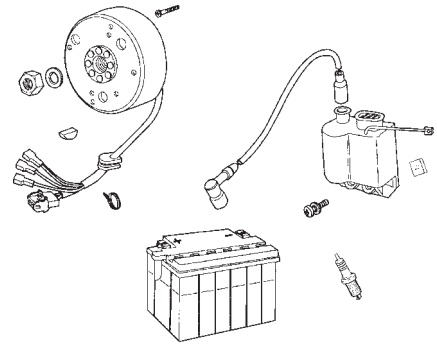
LAMINA / STAMPA / DIAGRAM / BILD / FEUILLE - 18



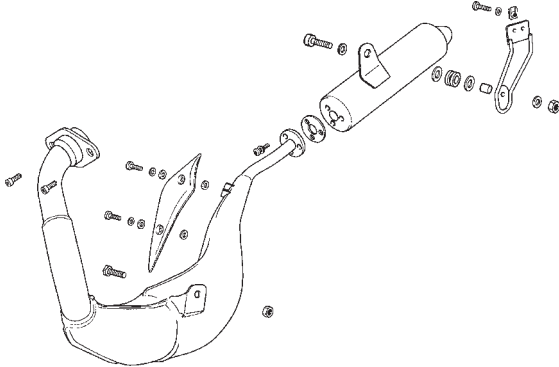
LAMINA / STAMPA / DIAGRAM / BILD / FEUILLE - 19



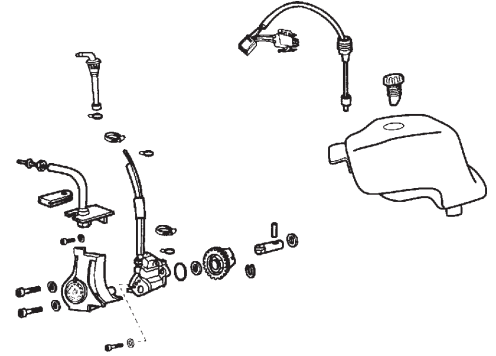
LAMINA / STAMPA / DIAGRAM / BILD / FEUILLE - 20



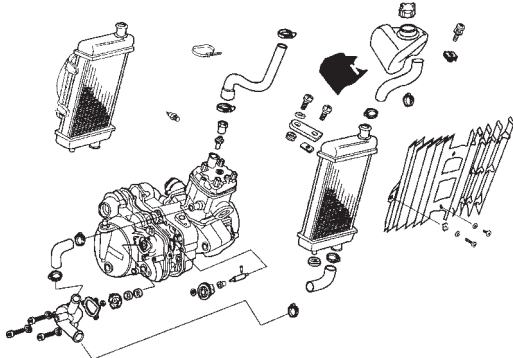
LAMINA / STAMPA / DIAGRAM / BILD / FEUILLE - 21



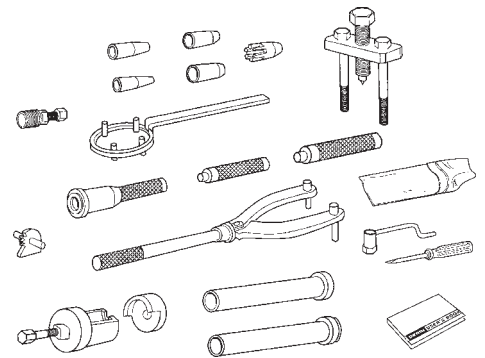
LAMINA / STAMPA / DIAGRAM / BILD / FEUILLE - 22



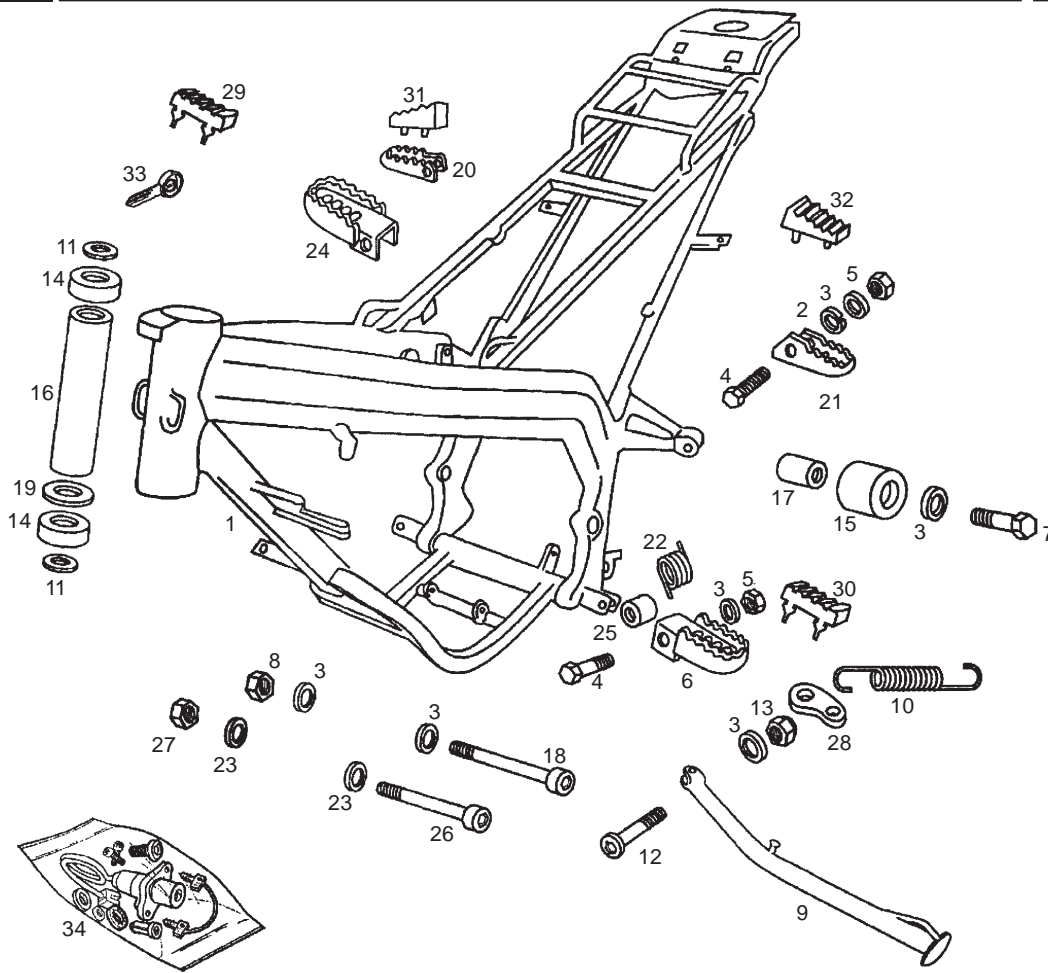
LAMINA / STAMPA / DIAGRAM / BILD / FEUILLE - 23



LAMINA / STAMPA / DIAGRAM / BILD / FEUILLE - 24

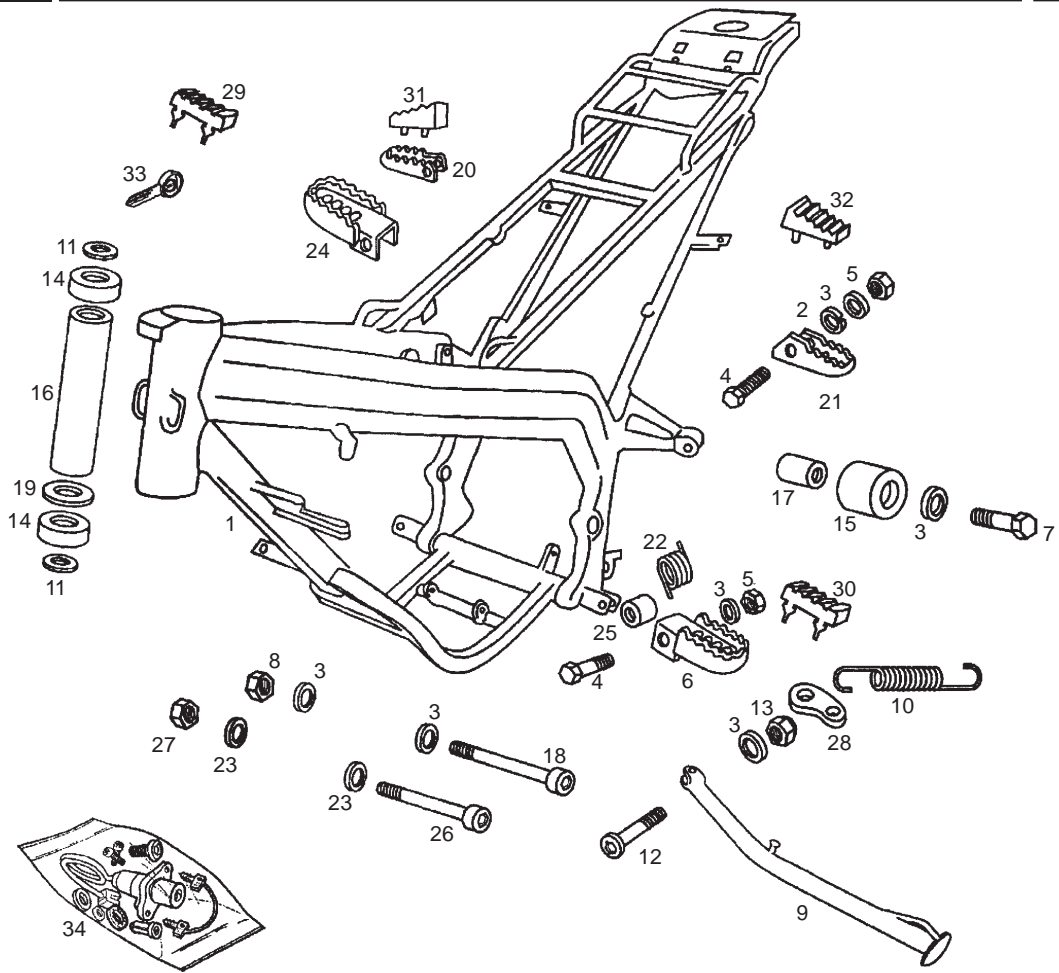




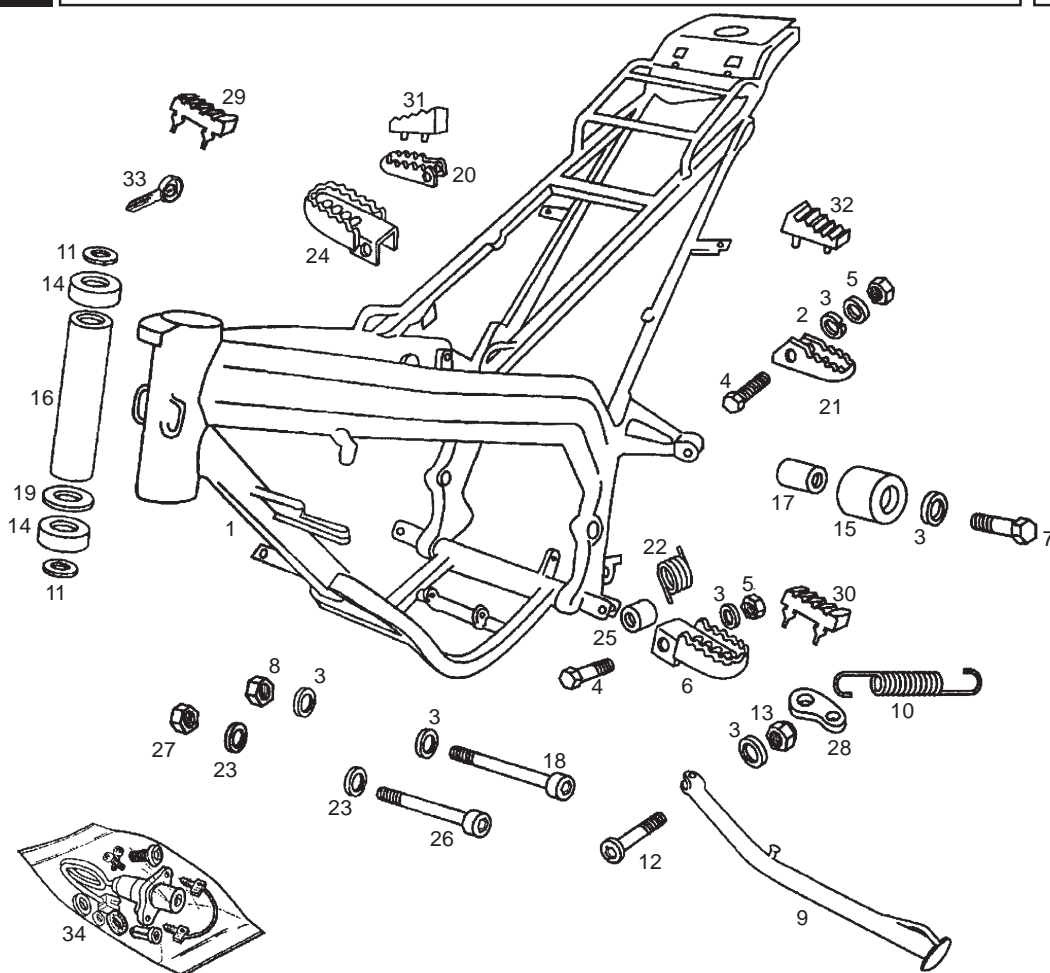


| Fig. | Ver. | COD. KOD.   | DESCRIPCIÓN DENOMINAZIONE NAME                              | BEZEICHNUNG DESIGNATION                      | MOD.  | NOTAS NOTES NOTA MITSCHRIFT NOTES |
|------|------|-------------|---|--|-------|-----------------------------------|
| 01A  |      | 00H01974601 | R-CTO. CUADRO C/RDMTOS. TELAIO FRAME                        | RAHMEN SOUS ENSEMBLE CADRE                   | 1 2 3 |                                   |
| 02A  |      | 00036008000 | ARANDELA MUELLE B8 RONDELLA WASHER                          | SCHEIBE RONDELLE                             | 1 2 3 |                                   |
| 03A  |      | 00402080001 | ARANDELA PLANA MECANIZ.D.8 RONDELLA WASHER                  | SCHEIBE RONDELLE                             | 1 2 3 |                                   |
| 04A  |      | 00022084021 | TORNILLO C/EXAG. 8M125X40 VITE SCREW                        | SCHRAUBE VIS                                 | 1 2 3 |                                   |
| 05A  |      | 00023108000 | TUERCA AUTOBLOC. 8M125 DADO NUT                             | MUTTER ECTROU                                | 1 2 3 |                                   |
| 06A  |      | 00H02201312 | SCTO.ESTR.IZ PILOTO ZINC.BL. APPOG.DES. FOOTREST            | FUSSRASTER LINKS REPOSE PIED GAUCHE          | 1 2 3 |                                   |
| 07A  |      | 00022084521 | TORNILLO C/EXAG. 8M125X45 VITE SCREW                        | SCHRAUBE VIS                                 | 1 2 3 |                                   |
| 08A  |      | 00262080022 | TUERCA AUTOBLOC. 8M125 DADO NUT                             | MUTTER ECTROU                                | 1 2 3 |                                   |
| 09A  |      | 00H00820011 | SCTO. PATA CABALLETE ZAMPA CAVALETTO SIDE STAN SUB-ASSY     | SEITENSTANDER BEQUILLE LATERALE              | 1 2 3 |                                   |
| 10A  |      | 00H00803082 | MUELLE PATA CABALL. MOLLA ZAMPA CAVALETTO SIDE STAND SPRING | FEDER GESTELLFUSS AUSSEN RESSORT DE BEQUILLE | 1 2 3 |                                   |

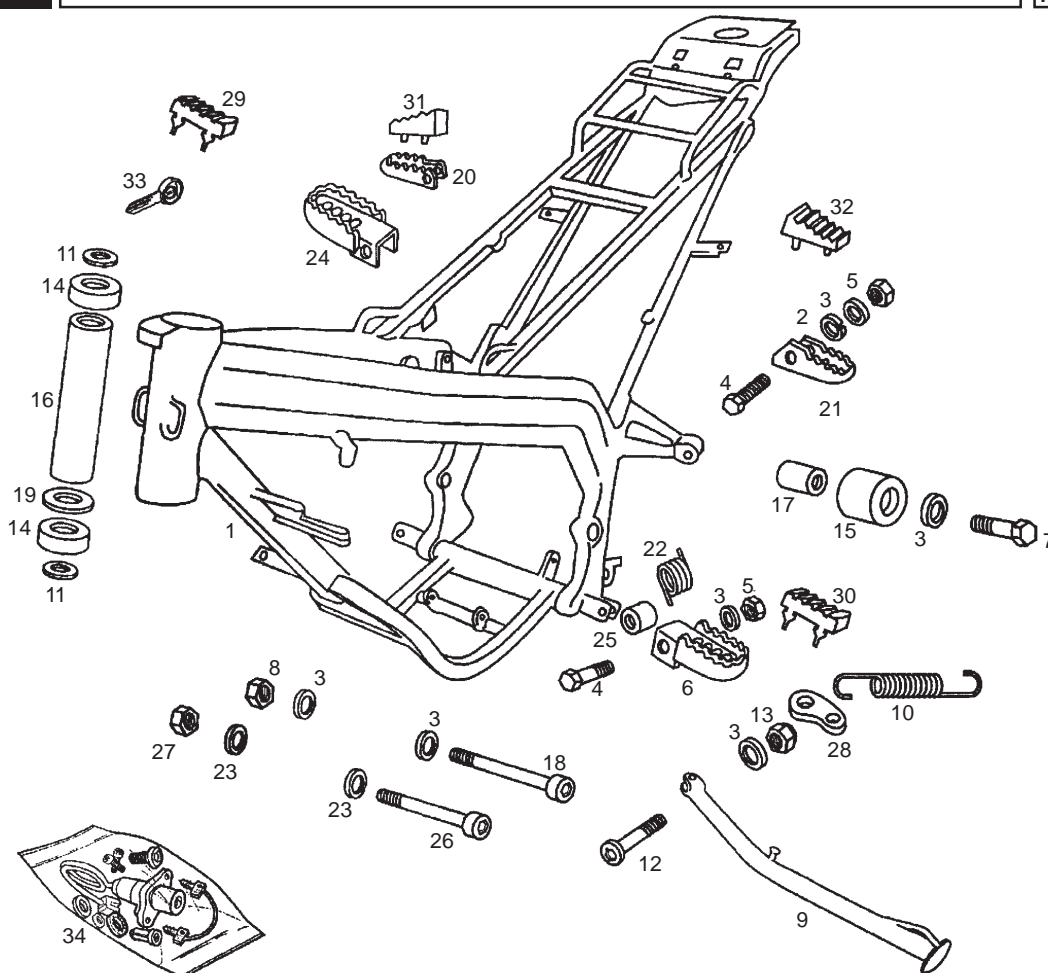




| Fig. | Ver. | COD. KOD.   | DESCRIPCIÓN DENOMINAZIONE NAME  | BEZEICHUNG DESIGNATION   | MOD.  | NOTAS NOTES NOTA MITSCHRIFT NOTES |
|------|------|-------------|---|--|-------|-----------------------------------|
| 11A  |      | 00008902630 | ARANDELA TAPON TUBO PNA.<br>RONDELLA<br>WASHER  | SCHEIBE<br>RONDELLE  | 1 2 3 |                                   |
| 12A  |      | 00H00805072 | TORNILLO FIJ. PATA CABALL.<br>VITE<br>SCREW   | SCHRAUBE<br>VIS  | 1 2 3 |                                   |
| 13A  |      | 00023108000 | TUERCA EXAG. 8M125<br>DADO<br>NUT   | MUTTER<br>ECTROU   | 1 2 3 |                                   |
| 14A  |      | 00000056205 | COJINETE.SKF6205.25.52.15.2RS<br>CUSCINETTO<br>BEARING SKF.6205.25.52.15                    | LAGER SKF.6205.25.52 .15<br>COUSSINET SKF. 6205. 25. 52          | 1 2 3 |                                   |
| 15A  |      | 00H01801771 | RODILLO TENSOR CADENA<br>RULLO TENSORE CATENA<br>CHAIN SUPPORTY GUIDE                       | ROLLE<br>ROULETTE GUIDE CHAINE                                   | 1 2 3 |                                   |
| 16A  |      | 00H06303401 | TUBO SEP.RDMTO.DIRECC.<br>TUBO SEPARAZIONE CUSCINETTO ST<br>STEERING BEARING SEPARATOR TUB  | DISTANZROHR LENKUNGLAGER<br>TUBE SEPARATION ROULEMENT D          | 1 2 3 |                                   |
| 17A  |      | 00002518790 | CASQ.GUIA CAD.C4/C7/RD/FD/FDS.<br>GHIERA GUIDA CATENA C4/C7/RD/F<br>SOCKET CHAIN GUIDE      | DISTANZ<br>ENTRETOISE GUIDE CHAINE                               | 1 2 3 |                                   |
| 18A  |      | 00H02500272 | TORNILLO FIJ. INF. MOT. ALL.8M125X90<br>VITE<br>SCREW                                       | SCHRAUBE<br>VIS  | 1 2 3 |                                   |
| 19A  |      | 00H06500451 | ÉARAND.COJIN.TUBO DIREC.<br>RONDELLA BRONZINA TUBO STERZO<br>STEERING TUBE BEARING WASHER G | STEERING TUBE BEARING WASHER G<br>RONDELLE COUSSINET TUBE DIRECT | 1 2 3 |                                   |
| 20A  |      | 00D01520096 | ESTRIB. DR. PASAJ. ZIRC.<br>PEDANA DESTRA<br>RIGHT FOOT REST                                | FUSSRASTER RECHTS<br>REPOSE-PIED DROIT                           | 1 2 3 |                                   |



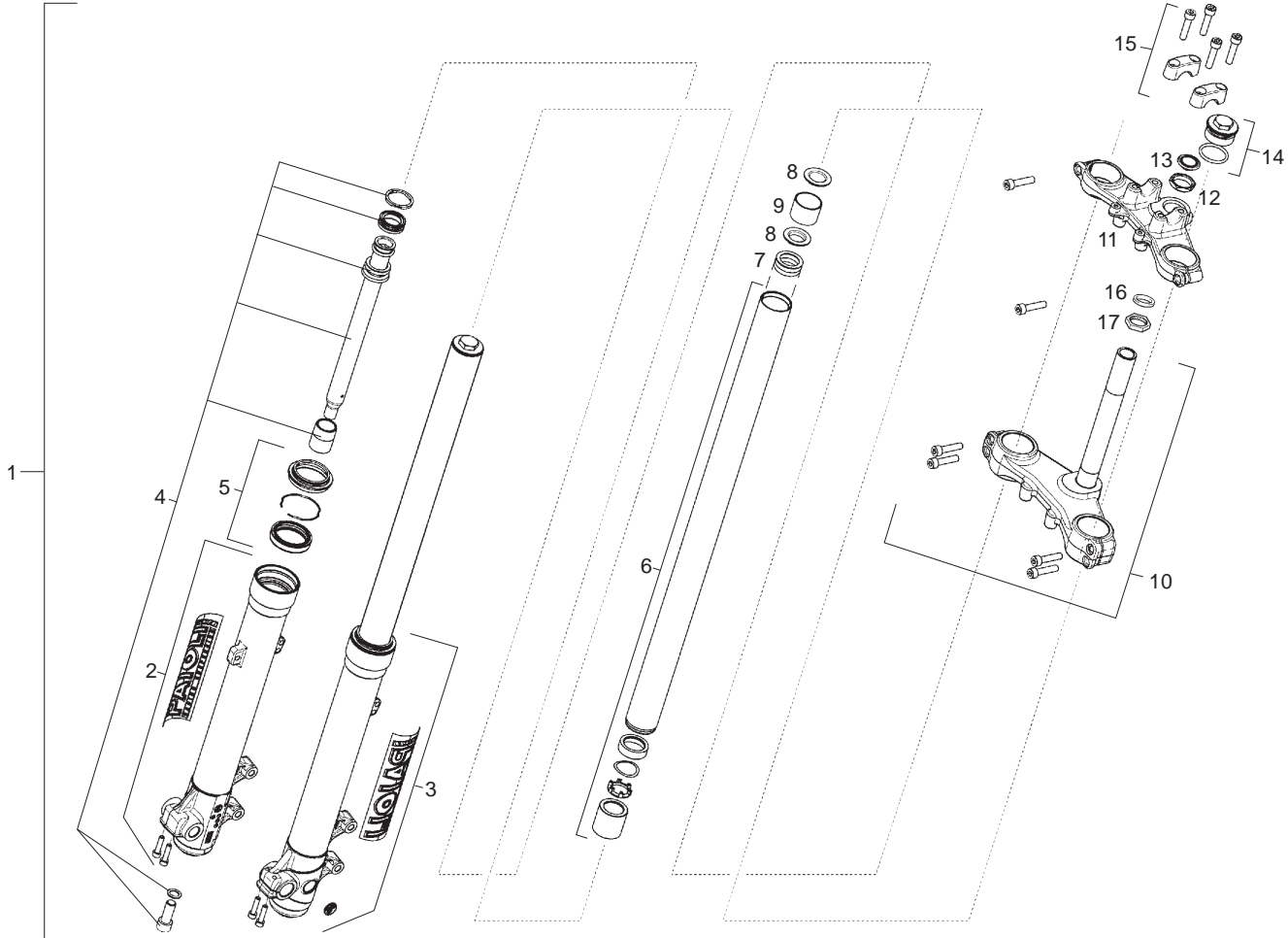
| Fig. | Ver. | COD. KOD.   | DESCRIPCIÓN DENOMINAZIONE NAME  | BEZEICHNUNG DESIGNATION                                | MOD.  | NOTAS NOTES NOTA MITSCHRIFT NOTES |
|------|------|-------------|---|--|-------|-----------------------------------|
| 21A  |      | 00D01540456 | ESTRIB. IZ. PASAJ. ZIRC. PEDANA SINISTRA LEFT FOOT REST                         | FUSSRASTER LINKS REPOSE-PIED GAUCHE                    | 1 2 3 |                                   |
| 22A  |      | 00H04903292 | MUELLE FIJACION ESTRIBERA MOLLA FISSAGGIO PREDELLINO PILLION FOOTREST SECURING  | FEDER RESSORT  | 1 2 3 |                                   |
| 23A  |      | 00402100001 | ARANDELA PLANA D.10 RONDELLA WASHER   | SCHEIBE RONDELLE                                       | 1 2 3 |                                   |
| 24A  |      | 00H02201302 | SCTO.ESTRIB.PILOTO ZINC.BL. APPOG.DES. FOOTREST                                 | FUSSRASTER RECHTS REPOSE PIED DROIT                    | 1 2 3 |                                   |
| 25A  |      | 00002215152 | CASQUILLO FIJ. ESTRIBERA GIUNTO SEAL  | DICHTRING JOINT  | 1 2 3 |                                   |
| 26A  |      | 00H03000272 | TORNILLO FIJ.DT.MTO.ALL.10M150X100 VITE SCREW                                   | SCHRAUBE VIS   | 1 2 3 |                                   |
| 27A  |      | 00262100032 | TUERCA AUTOBLOC.10M150 DADO NUT   | MUTTER ECTROU  | 1 2 3 |                                   |
| 28A  |      | 00H00800422 | PLACA RETORNO CABALLETE PIASTRINA RITORNO CAVALLETTO G SPRING KIK-STAND SUPPORT | PLATTE F. GESTELLRUCKFUHRU SUPPORT RESSORT DE BEQUILLE | 1 2 3 |                                   |
| 29A  |      | 00H01502101 | PROTECT.DR.ESTRIB.PILOTO PROTEZIONE STAFFA DESTRA RIGHT FOOT REST PROTECTOR     | RASTER GUMMI RECHTS PROTECTEUR REPOSE-PIED DROI        | 1 2 3 |                                   |
| 30A  |      | 00H01501501 | PROTECT.IZ.ESTRIB.PILOTO PROTEZIONE STAFFA SINISTRA LEFT FOOT REST PROTECTOR    | FUSSRASTER LINKS REPOSE-PIED GAUCHE                    | 1 2 3 |                                   |



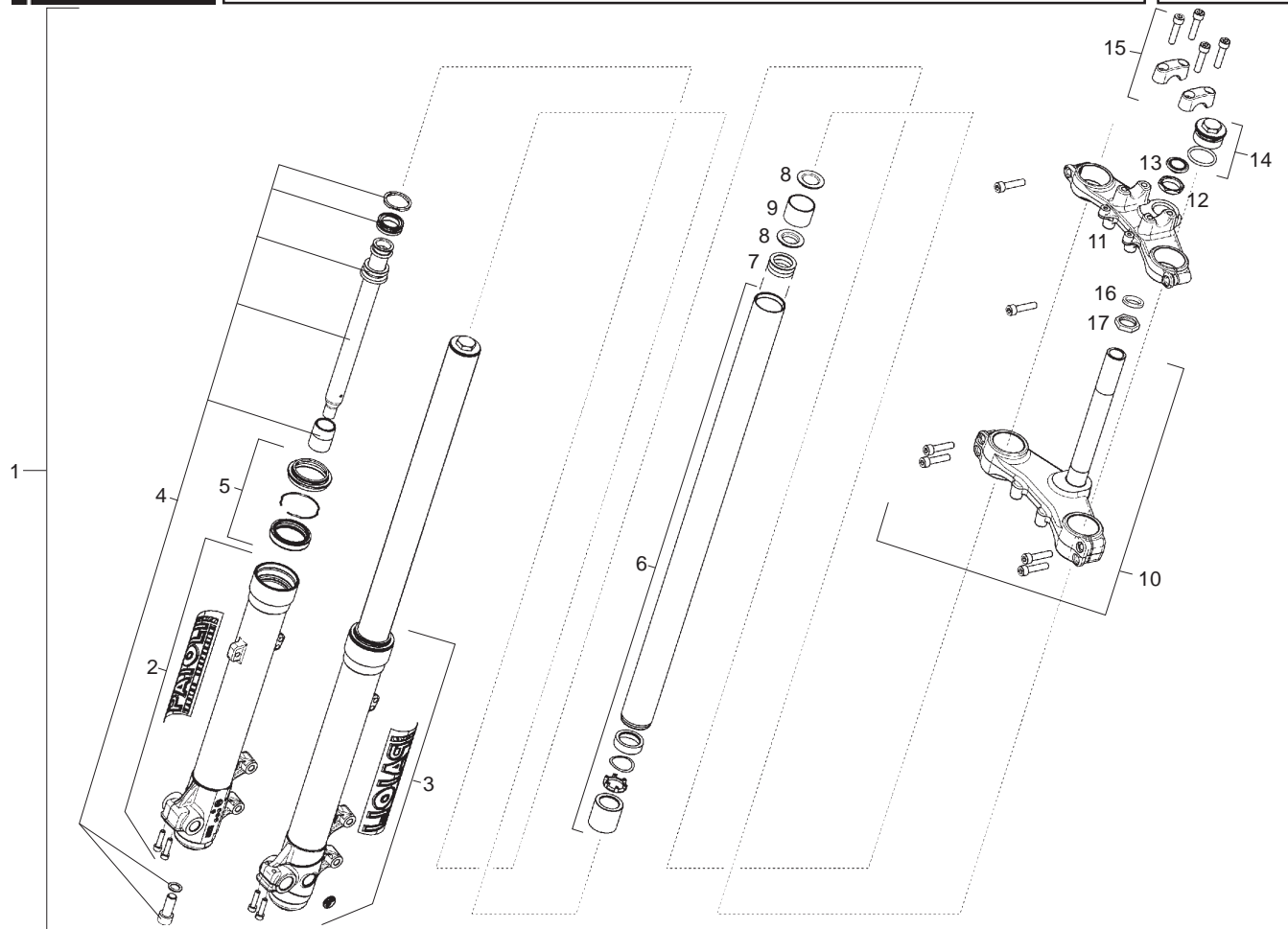
| Fig. | Ver. | COD. KOD.   | DESCRIPCIÓN DENOMINAZIONE NAME   | BEZEICHNUNG DESIGNATION                            | MOD.  | NOTAS NOTES NOTA MITSCHRIFT NOTES |
|------|------|-------------|--|--|-------|-----------------------------------|
| 31A  |      | 00H01503101 | PROTECT. ESTRIB. DR.<br>PROTEZIONE STAFFA DESTRA<br>RIGHT FOOT REST PROTECTOR  | RASTER GUMMI RECHTS<br>PROTECTEUR REPOSE-PIED DROI | 1 2 3 |                                   |
| 32A  |      | 00H01502501 | PROTECT. ESTRIB. IZ.<br>PROTEZIONE STAFFA SINISTRA<br>LEFT FOOT REST PROTECTOR | RASTER GUMMI LINKS<br>PROTECTEUR REPOSE-PIED GAUC  | 1 2 3 |                                   |

**ACCESORIOS OPCIONALES / ACCESSORI OPCIONALE / OPTIONAL ACCESSORIES / WERKZEUG / OTILS FOURNIS**

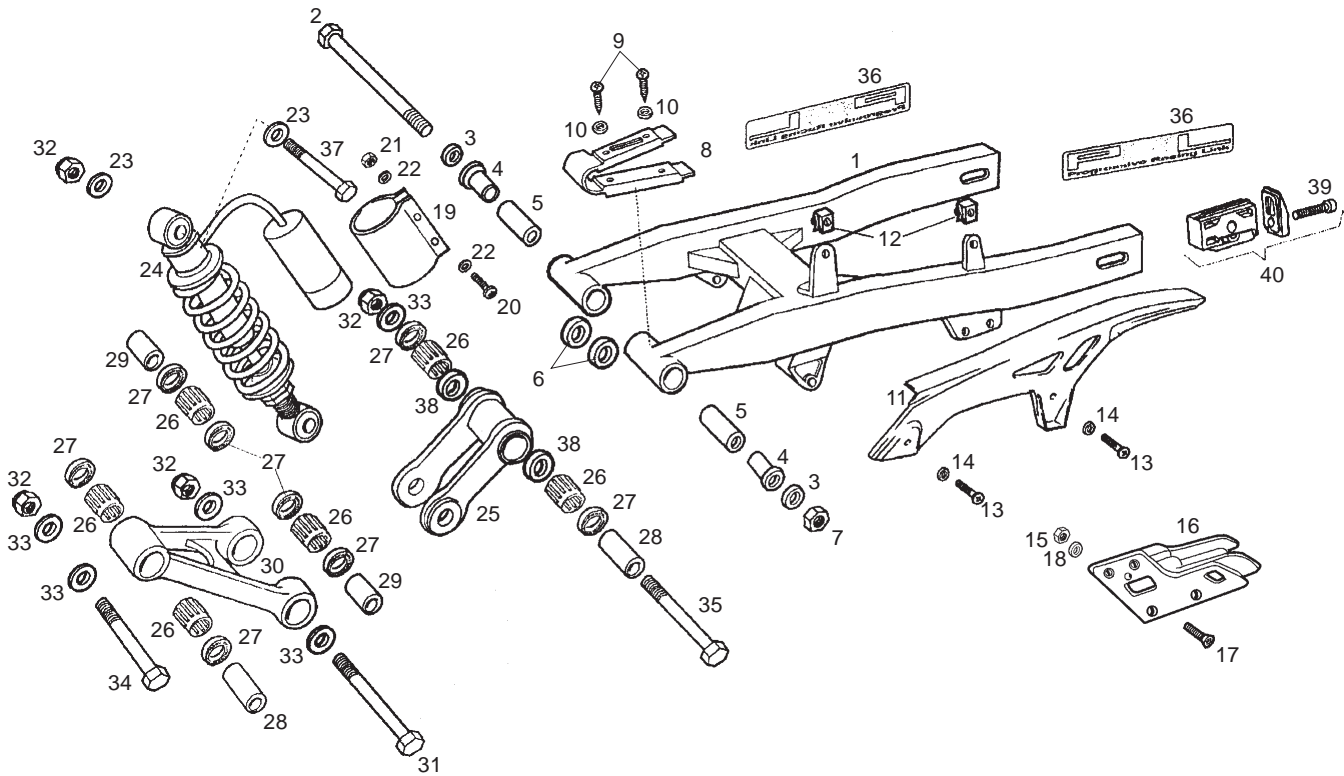
|     |  |             |   |   |       |  |
|-----|--|-------------|---|---|-------|--|
| 33A |  | 00F01811411 | R-LLAVE CERRADURAS.P/MEC.<br>CHIAVE<br>LOCK KEYS  | SCHLUSSEL<br>CLEF   | 1 2 3 |  |
| 34A |  | 00H05908251 | R-CTO. KIT CERRDADURAS <b>SIN LEVAS</b><br>SERRATURE <b>SENZA LEVA</b><br>LOCK WITH KEYS <b>WITHOUT LEVER</b> | SCHLOOS-SATZ <b>OHNE VERSCHLUSSH.</b><br>ENS. KIT SERRURES <b>SANS LEVIER</b> | 1 2 3 |  |



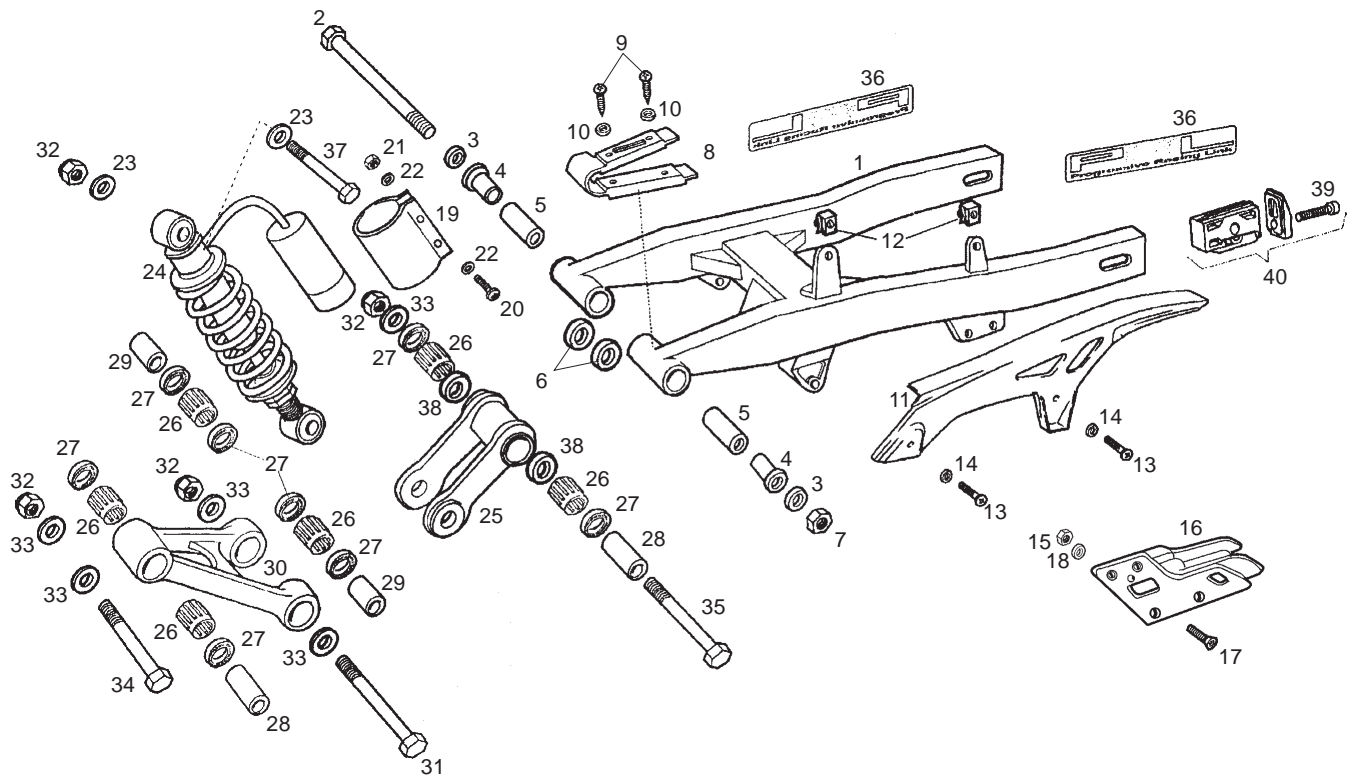
| Fig. | Ver. | COD. KOD.   | DESCRIPCIÓN DENOMINAZIONE NAME                                  | BEZEICHNUNG DESIGNATION                           | MOD.  | NOTAS NOTES NOTA MITSCHRIFT NOTES |
|------|------|-------------|---|---|-------|-----------------------------------|
| 01A  |      | 00H00236002 | CTO HORQUILLA DIRECTRIZ SM FORCELLA DIRETT. FORK ASSY           | LENKGABEL ENSEMBLE FOURCHE DIRITICE               | 1 2 3 |                                   |
| 02A  |      | 00H02022031 | R-PIERNA HORQUILLA DERECHA GAMBALE DESTRO RH. FORK TUBE LOWER   | PFROPFEN F. GABELSCHENKEL RE. BOUCHON DROITE      | 1 2 3 |                                   |
| 03A  |      | 00H02022041 | R-PIERNA HORQUILLA IZ. GAMBALE SINISTRO LH. FORK TUBE LOWER     | PFROPFEN F. GABELSCHENKEL LI. BOUCHON GAUCHE      | 1 2 3 |                                   |
| 04A  |      | 00H00207531 | CONJUNTO BARRA HORQUILLA GRUPPO STELO FORK BAR GROUP            | LENKSTANGE GRUPP GROUP FOURCHE BARRE              | 1 2 3 |                                   |
| 05A  |      | 00H00205231 | CONJUNTO RETÉN GRUPPO PARAOLIO SEAL ASSY                        | DICHTUNG SATZ ENSEMBLE DE JOINT                   | 1 2 3 |                                   |
| 06A  |      | 00H02004871 | R-CTO BARRA HORQUILLA GRUPPO TUBO FORKTUBE ASSY                 | GABELBEIN SATZ BRANCHE ENSEMBLE                   | 1 2 3 |                                   |
| 07A  |      | 00H00215171 | MUELLE HORQUILLA MOLLA FORCELLA FORK SPRING                     | GABELFEDER RESSORT DE FOURCHE                     | 1 2 3 |                                   |
| 08A  |      | 00H00203691 | ARANDELA MUELLE HORQUILLA RONDELLA WASHER                       | SCHEIBE RONDELLE                                  | 1 2 3 |                                   |
| 09A  |      | 00H00206151 | SEPARADOR DISTANZIALE BUSH                                      | DISTANZHULSE ENTRETOISE                           | 1 2 3 |                                   |
| 10A  |      | 00H00216011 | R-SCTO. TIJA-PLAT. FUSTO PIASTRA LOWER TRIPLE CLAMP, W/PIN ASSY | SATTELSTANGE PLATINE INF. AVEC PIVOT              | 1 2 3 |                                   |
| 11A  |      | 00H00216091 | PLETINA SUPERIOR FLANGIA SUPERIORE FORCELLA UPPER FORK PLATE    | TEIL OBERE GABELPLATTE PLATINE SUPERIEURE FOURCHE | 1 2 3 |                                   |



| Fig. | Ver. | COD. KOD.   | DESCRIPCIÓN DENOMINAZIONE NAME  | BEZEICHNUNG DESIGNATION                         | MOD.  | NOTAS NOTES NOTA MITSCHRIFT NOTES |
|------|------|-------------|---|---|-------|-----------------------------------|
| 12A  |      | 00H00204601 | TUERCA FIJ. TIJA<br>DADO<br>NUT   | MUTTER<br>ECTROU                                | 1 2 3 |                                   |
| 13A  |      | 00H00206111 | TAPON TIJA<br>TAPO CANOTTO<br>STEERING STEM CAP                                 | KAPPE<br>ECROU FIX PIVOT                        | 1 2 3 |                                   |
| 14A  |      | 00H00207271 | R-CTO. TAPON PNA. HORQ.<br>TAPPO GAMBA FORCELLA<br>FORK TUBE CAP                | PFROPFEN F. GABELSCHENKEL<br>BOUCHON            | 1 2 3 |                                   |
| 15A  |      | 00H00205741 | PUENTE. FIJACIÓN MANILLAR<br>FLANGIA FISSAGGIO MANUBRIO<br>HANDLEBAR LOCK CLAMP | BUGEL<br>ETRIER FIX GUIDON                      | 1 2 3 |                                   |
| 16A  |      | 00D00200761 | GUARDAPOLVO DIRECCION<br>PARAPOLVERE FORCELLA<br>FORK DUST GUARD                | STAUBSCHUTZ F. GABEL<br>CACHE-POUSSIÈRE FOURCHE | 1 2 3 |                                   |
| 17A  |      | 00G00200112 | TUERCA FIJACION TIJA<br>DADO FISSAGGIO FUSTO<br>CAP NUT, FORK STEM              | BEF.-MUTTER<br>ECROU FIXATION TIGE              | 1 2 3 |                                   |

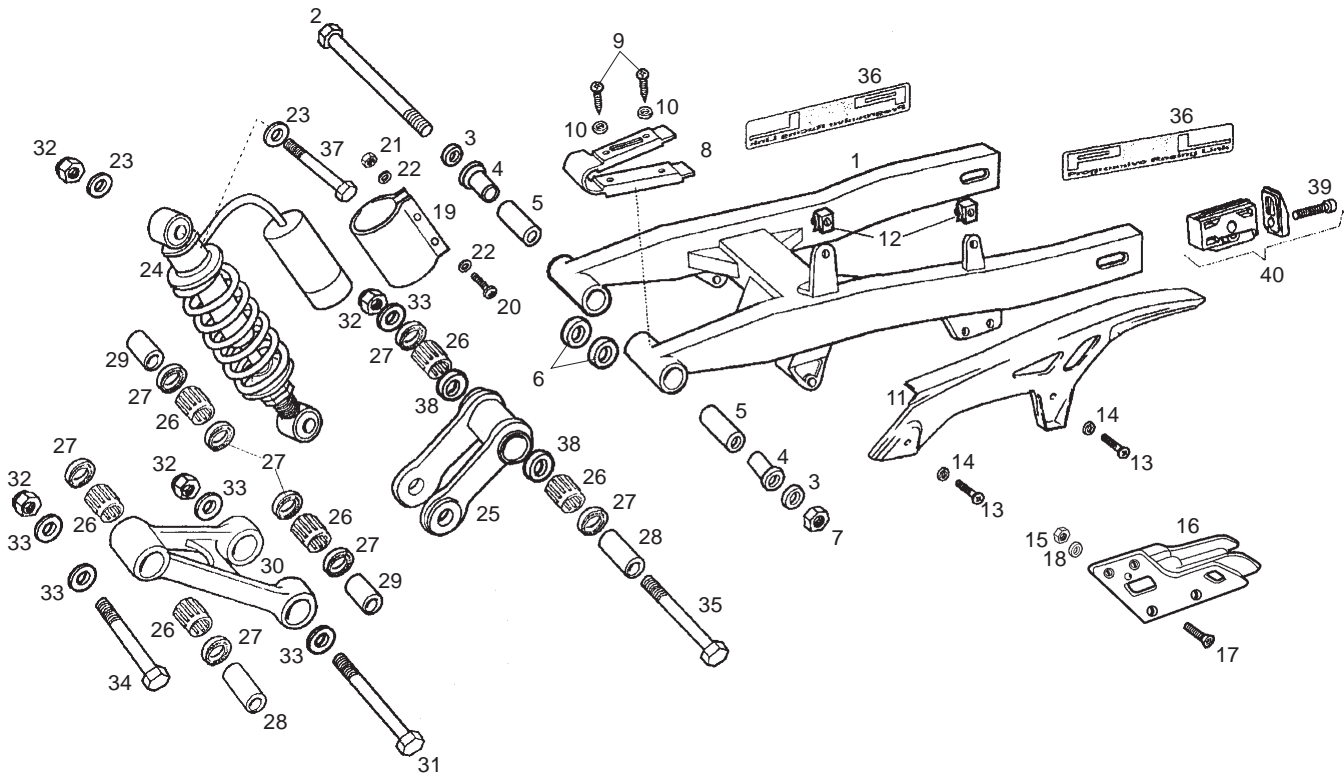


| Fig. | Ver. | COD. KOD.   | DESCRIPCIÓN DENOMINAZIONE NAME  | BEZEICHUNG DESIGNATION                        | MOD.  | NOTAS NOTES NOTA MITSCHRIFT NOTES |
|------|------|-------------|---|---|-------|-----------------------------------|
| 01A  |      | 00H00317971 | R-SCTO.BASCTE.C/C.<br>RIBALTABILE<br>SWING ARM SUB-ASSY                       | SCHWINGENACHSE<br>BRAS OSCILLANT              | 1 2 3 |                                   |
| 02A  |      | 00H01304202 | SCTO.EJE BASCTE.C-4.<br>ASSE RIBALTABILE<br>SWING ARM SUB-ASSEMBLY            | HINTERRADACHSE<br>AXE DE BRAS OSCILLANT       | 1 2 3 |                                   |
| 03A  |      | 00003112322 | ARANDELA EJE RUEDA<br>RONDELLA<br>WASHER                                      | SCHEIBE<br>RONDELLE                           | 1 2 3 |                                   |
| 04A  |      | 00002503230 | CASQ.EJE BASCTE.C-4. C<br>GHIERA ASSE RIBALTABILE C-4<br>SWING ARM BUSHING    | BUCHSE<br>ENTRETOISE AXE BRAS OSCIL           | 1 2 3 |                                   |
| 05A  |      | 00H00301401 | CASQ.CARTELA MOTOR<br>GHIERA ORECCHIA MOTORE<br>ENGINE BRACKET BUFFER BUSHING | BUCHSE<br>ENTRETOISE AXE BRAS OSCIL           | 1 2 3 |                                   |
| 06A  |      | 00D01300192 | ARANDELA Zn.B<br>RONDELLA<br>WASHER   | SCHEIBE<br>RONDELLE                           | 1 2 3 |                                   |
| 07A  |      | 00262120032 | TUERCA AUTOBLOC. 12M150<br>DADO<br>NUT  | MUTTER<br>ECTROU                              | 1 2 3 |                                   |
| 08A  |      | 00H01804331 | PLACA ROZAMTO.CADENA<br>PIASTRA ATTRITO CATENA<br>CHAIN FORCHIN PLATE/FLARGE  | KETTEN-REIBPLATTE<br>PLAQUE GLISSEMENT CHAINE | 1 2 3 |                                   |
| 09A  |      | 00011141300 | TORNILLO AUT. C/C R. N G.4,8X13<br>VITE<br>SCREW                              | SCHRAUBE<br>VIS                               | 1 2 3 |                                   |
| 10A  |      | 00000031050 | ARANDELA PLANA D5<br>RONDELLA<br>WASHER                                       | SCHEIBE<br>RONDELLE                           | 1 2 3 |                                   |
| 11A  |      | 00H01508181 | CUBRECADENA<br>COPRICATENA<br>CHAIN COVER                                     | KETTENSCHUTZ<br>COUVRE CHAINE                 | 1 2 3 |                                   |

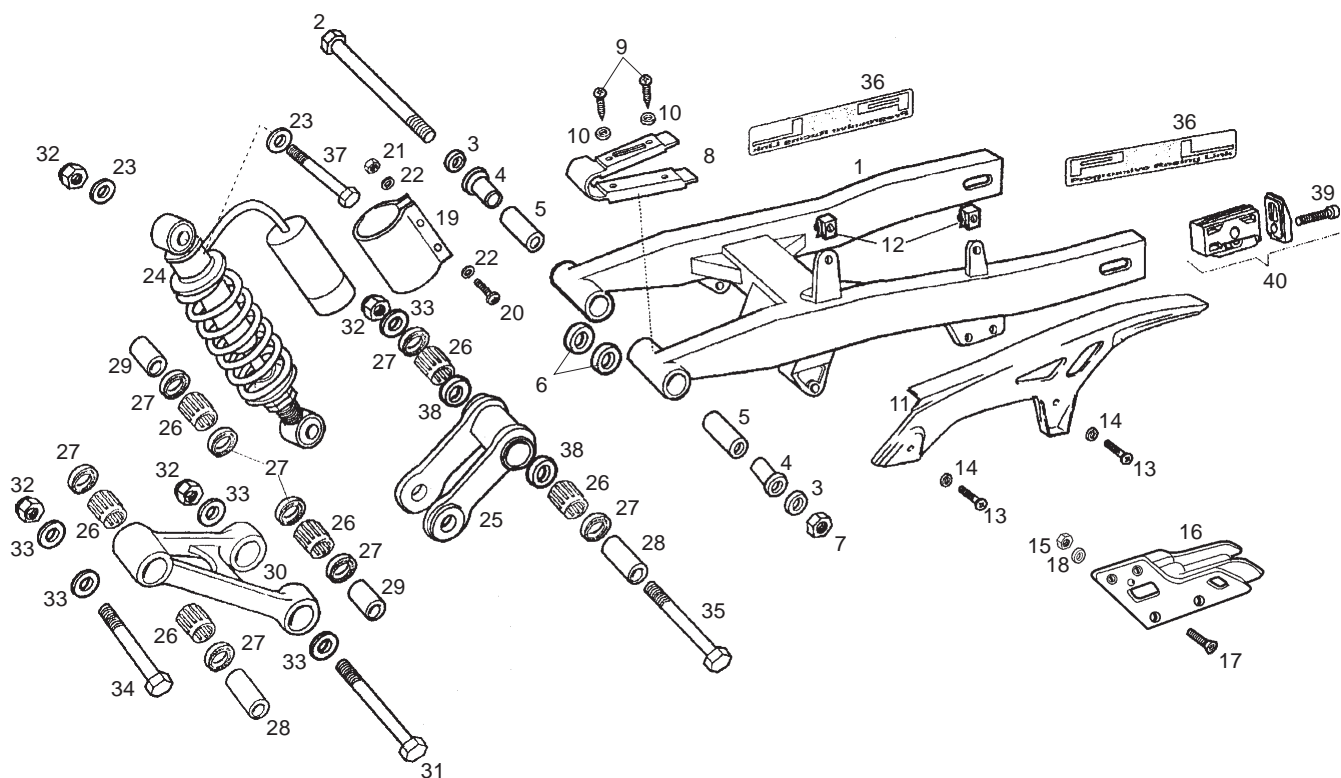


| Fig. | Ver. | COD. KOD.   | DESCRIPCIÓN DENOMINAZIONE NAME                                | BEZEICHUNG DESIGNATION     | MOD.  | NOTAS NOTES NOTA MITSCHRIFT NOTES |
|------|------|-------------|---|----------------------------|-------|-----------------------------------|
| 12A  |      | 00D01501371 | TUERCA FIJ.CUBRECAD.212827<br>DADO<br>NUT                     | MUTTER<br>ECTROU           | 1 2 3 |                                   |
| 13A  |      | 00012061200 | TORNILLO C/RED CRUZ 6M100X12 NG<br>VITE<br>SCREW              | SCHRAUBE<br>VIS            | 1 2 3 |                                   |
| 14A  |      | 00D01200171 | ARANDELA EJE LEVA-FIJ.CUBRECAD.<br>RONDELLA<br>WASHER         | SCHEIBE<br>RONDELLE        | 1 2 3 |                                   |
| 15A  |      | 00000023060 | TUERCA AUTOBLOCANTE D6<br>DADO<br>NUT                         | MUTTER<br>ECTROU           | 1 2 3 |                                   |
| 16A  |      | 00H01502871 | CTO.GUIA CADENA SENDA X-TR/DRD<br>GUIDA CATENA<br>CHAIN GUIDE | GLEITBAHN<br>GUIDE CHAINE  | 1 2 3 |                                   |
| 17A  |      | 00012061000 | TORNILLO C/RED CRUZ 6M100X10 NG<br>VITE<br>SCREW              | SCHRAUBE<br>VIS            | 1 2 3 |                                   |
| 18A  |      | 00000031060 | ARANDELA PLANA D6<br>RONDELLA<br>WASHER                       | SCHEIBE<br>RONDELLE        | 1 2 3 |                                   |
| 19A  |      | 00H02201521 | BRIDA FIJ.DEPSTO.<br>AMORT. FASCETTA<br>CLAMP                 | BEF.-SCHELLE<br>ENTRETOISE | 1 2 3 |                                   |
| 20A  |      | 00012063000 | TORNILLO 6X30<br>VITE<br>SCREW                                | SCHRAUBE<br>VIS            | 1 2 3 |                                   |
| 21A  |      | 00000021060 | TUERCA EXAG. 6M100<br>DADO<br>NUT                             | MUTTER<br>ECTROU           | 1 2 3 |                                   |
| 22A  |      | 00000031070 | ARANDELA M7<br>RONDELLA<br>WASHER                             | SCHEIBE<br>RONDELLE        | 1 2 3 |                                   |

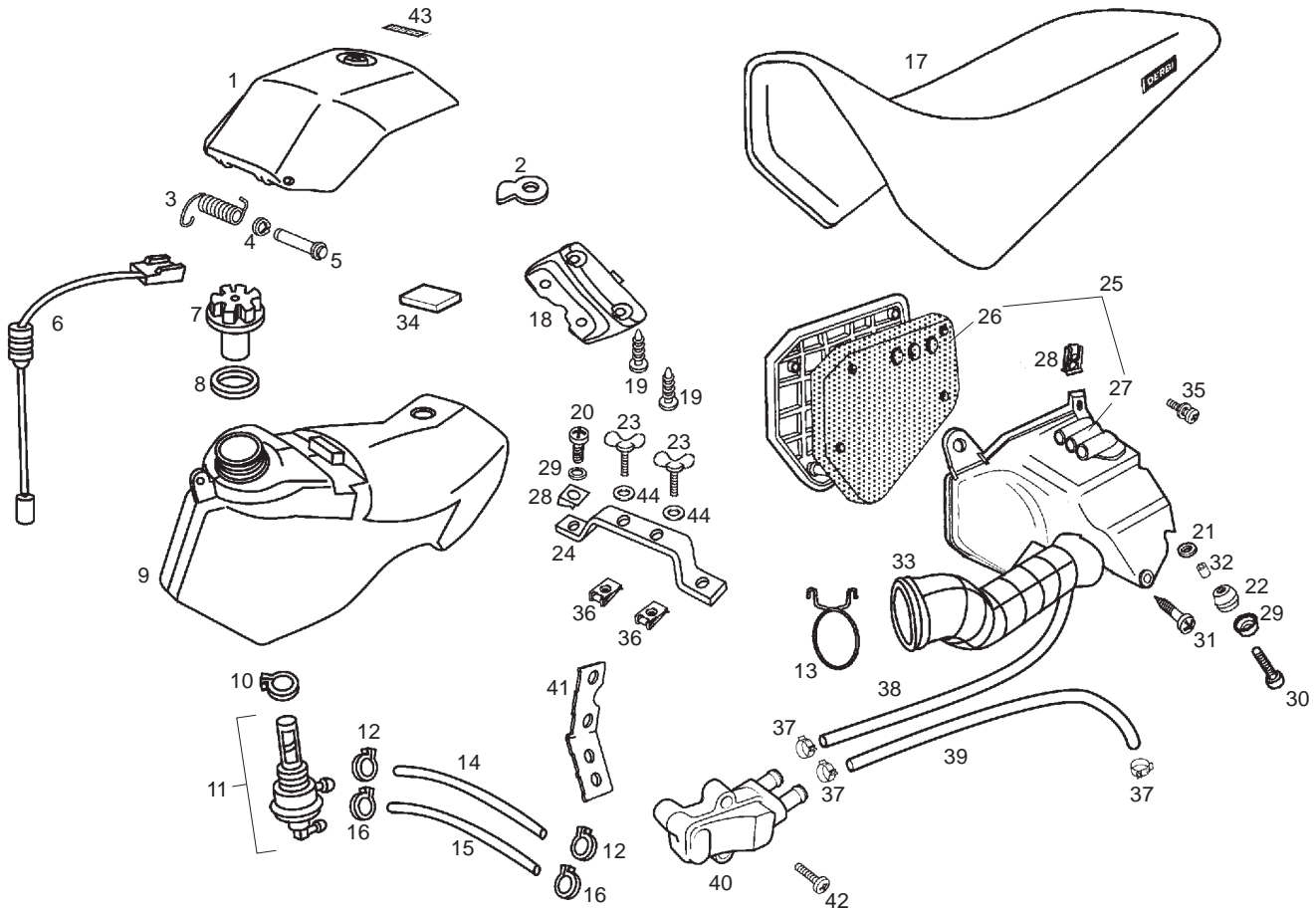




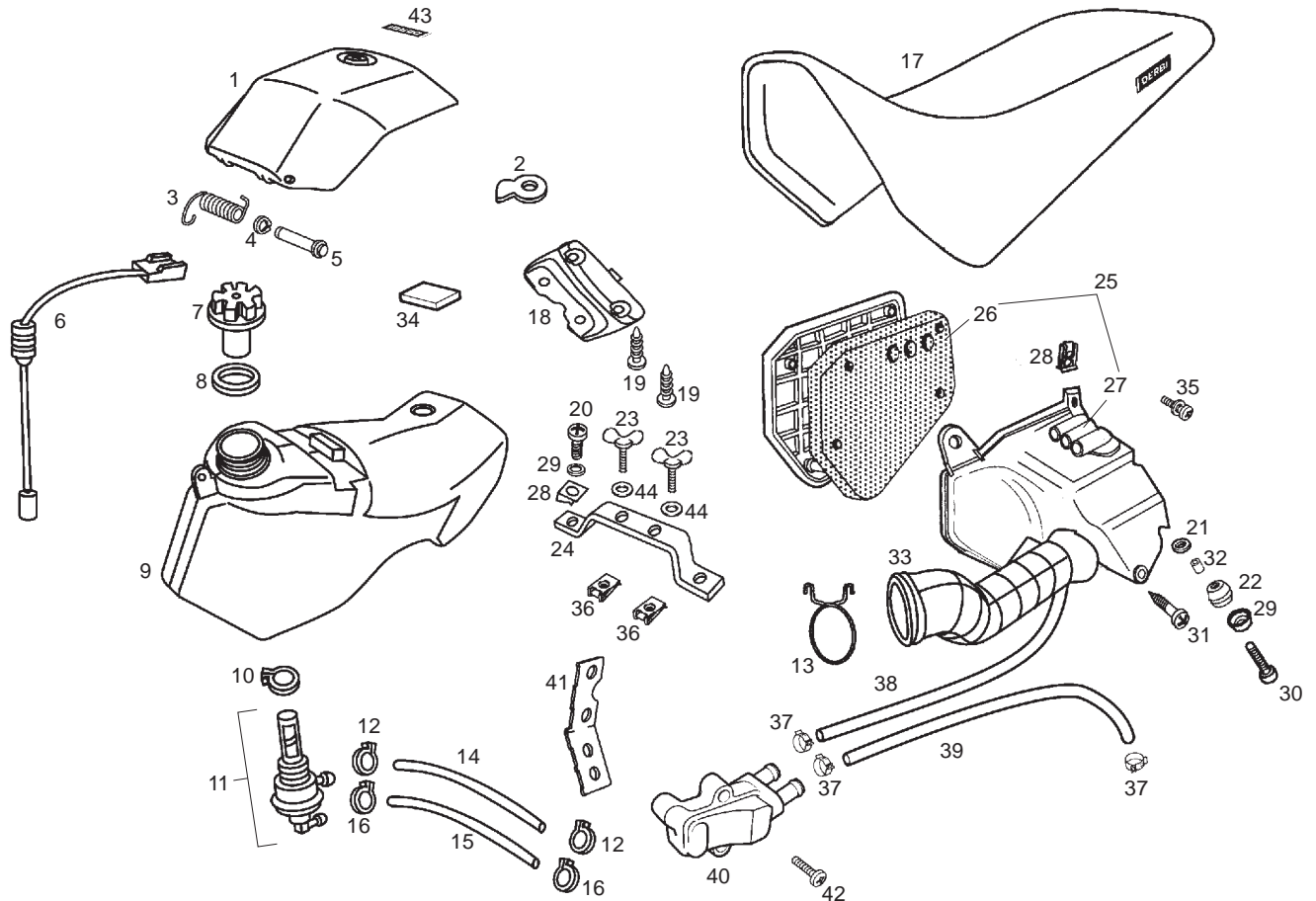
| Fig. | Ver. | COD. KOD.   | DESCRIPCIÓN DENOMINAZIONE NAME  | BEZEICHNUNG DESIGNATION                                      | MOD.  | NOTAS NOTES NOTA MITSCHRIFT NOTES |
|------|------|-------------|---|--|-------|-----------------------------------|
| 23A  |      | 00003115422 | ARANDELA RONDELLA WASHER  | SCHEIBE RONDELLE   | 1 2 3 |                                   |
| 24A  |      | 00H01511192 | CTO AMORTIGUADOR SM AMMORTIZZATORE SHOCK ABSORBER                                   | FEDERBEIN AMORTISSEUR  | 1 2 3 |                                   |
| 25A  |      | 00H00301801 | SCTO.BIELA ARTICUL. SCTO.BIELA ARTICUL. SUSPENSION LINKS ARTICULATION               | U-GRUPPE ANGELENKTES PLEUEL S/ENSEMBLE BIELLE ARTICULATION   | 1 2 3 |                                   |
| 26A  |      | 00H00301701 | JAULA AGUJAS BIELETAS GABBIA SPILLI BIELLETTE SUSPENSION LINKS NEEDLE BEARING       | NADELK < FIG PLEUEL CAGE AIGUILLES BIELLETES                 | 1 2 3 |                                   |
| 27A  |      | 00H00301871 | RETEN JAULA AG.BIELETAS GIUNTO TENUTA GABBIA SPILLI SUSPENSION LINKS NEEDLE BEARING | DICHTRING NADELK < FIG PLEUEL JOINT CAGE AIGUILLES BIELLETTE | 1 2 3 |                                   |
| 28A  |      | 00H00301851 | CASQ.BIELA ARTIC. BRONZINA BIELLA SNODO ARTICULATION LINK BUSH                      | BUCHSE ANGELENKTES PLEUEL DOUILLE BIELLE ARTICULATION GP     | 1 2 3 |                                   |
| 29A  |      | 00H00301861 | CASQ.INT.BIELA ARTIC. BRONZINA INTERNA BIELLA SNODO INNER ARTICULATION LINK BUSH G  | INNERE BUCHSE ANGELENKTES PLE DOUILLE INTvRIEURE BIELLE ARTI | 1 2 3 |                                   |
| 30A  |      | 00H00301831 | SCTO.BIELA TRIANG.ARTIC. BIELLA TRIANGOLO SUSPENSION TRIANGULATION LINKS            | U-GRUPPE ANGELENKTE TRIANGULA S/ENSEMBLE BIELLE TRIANGLE ART | 1 2 3 |                                   |
| 31A  |      | 00H00300891 | TORNILLO FIJ. AMORT. 12M175X110 VITE SCREW  | SCHRAUBE VIS   | 1 2 3 |                                   |
| 32A  |      | 00023112000 | TUERCA AUTOBLOC.12M175 DADO NUT   | MUTTER ECTROU  | 1 2 3 |                                   |
| 33A  |      | 00H01500421 | ARANDELA FIJ.INF.AMORT. RONDELLA WASHER   | SCHEIBE RONDELLE   | 1 2 3 |                                   |



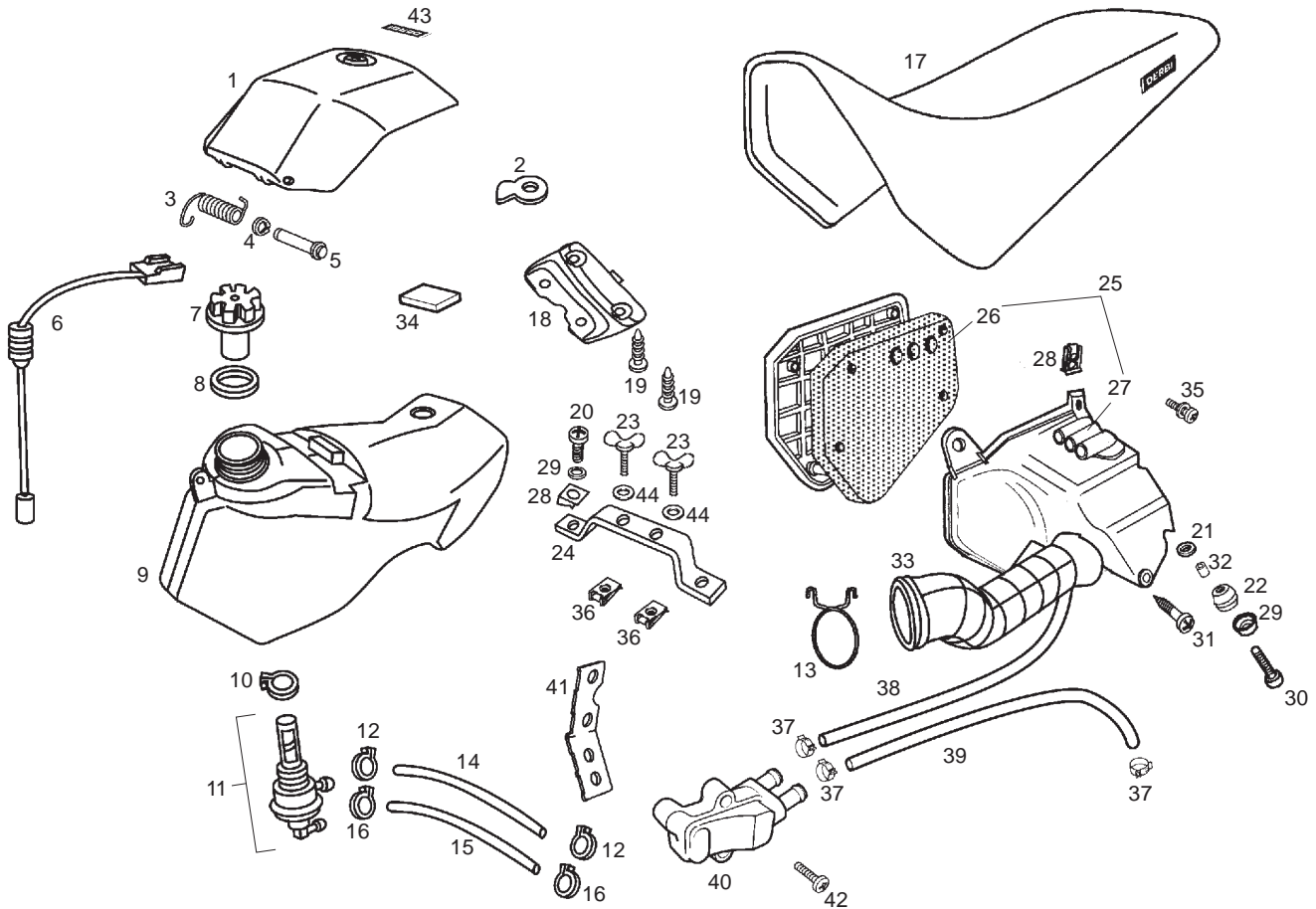
| Fig. | Ver. | COD. KOD.   | DESCRIPCIÓN DENOMINAZIONE NAME  | BEZEICHUNG DESIGNATION  | MOD.  | NOTAS NOTES NOTA MITSCHRIFT NOTES |
|------|------|-------------|---|---|-------|-----------------------------------|
| 34A  |      | 00H06800471 | TG R. FIJ. B I ELA AMORT.12M175X70<br>VITE FISSAGGIO BIELLA AMMORTIZ.<br>SHOCK ABSORBER ARM SECURING SC | BEFESTIGUNGSSCHRAUBE STOSSD<br>VIS FIXATION BIELLE AMORTISSEU | 1 2 3 |                                   |
| 35A  |      | 00031120123 | TORNILLO C/EXAG 12M175X100 ZnB<br>VITE<br>SCREW   | SCHRAUBE<br>VIS   | 1 2 3 |                                   |
| 36A  |      | 00H00307332 | CALCA BASCULANTE<br>DECALCO RIBALTABILE<br>DECAL  | ABZIEHBILD<br>ADHESIF   | 1 2 3 |                                   |
| 37A  |      | 00H00303892 | TORNILLO 12M175X58 ZB<br>VITE<br>SCREW  | SCHRAUBE<br>VIS   | 1 2 3 |                                   |
| 38A  |      | 00001213190 | CASQUILLO FIJ. BIELA<br>BRONZINA<br>BUSH  | DISTANZHULSE<br>ENTRETOISE                                    | 1 2 3 |                                   |
| 39A  |      | 00H01301491 | TORNILLO C/ALLEN M.SX50.<br>VITE<br>SCREW   | SCHRAUBE<br>VIS   | 1 2 3 |                                   |
| 40A  |      | 00H01304811 | R-CTO.TENSOR RUEDATR.<br>TENSORE RUOTA<br>ADJUSTER, REAR WHEEL ASSY                                     | HINTERRADSPANNER<br>TENDEUR DE ROUE ENSEMBLE                  | 1 2 3 |                                   |



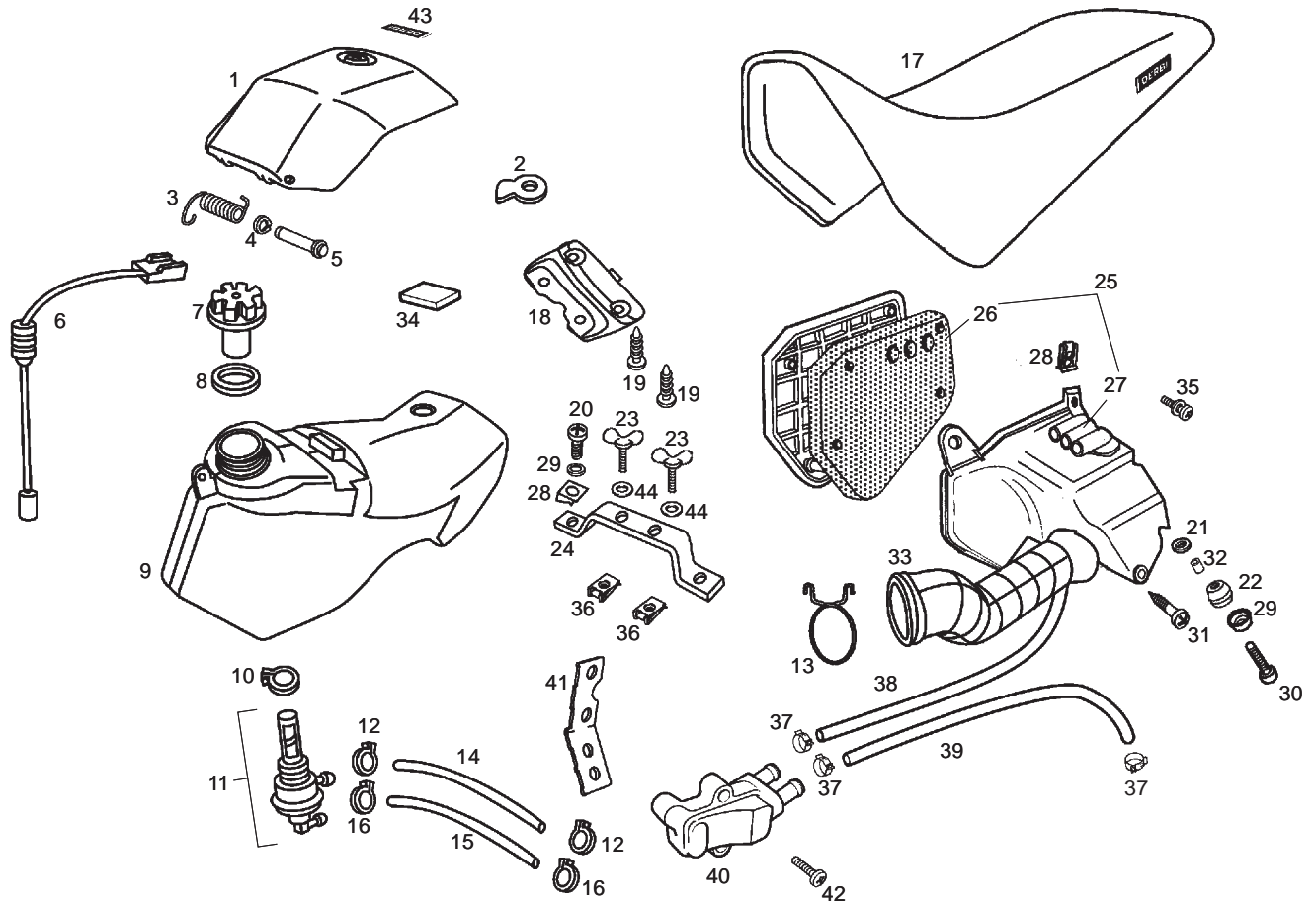
| Fig. | Ver. | COD. KOD.   | DESCRIPCIÓN DENOMINAZIONE NAME   | BEZEICHUNG DESIGNATION                                  | MOD.  | NOTAS NOTES NOTA MITSCHRIFT NOTES |
|------|------|-------------|--|---|-------|-----------------------------------|
| 01A  |      | 00H00404687 | TAPA SUP. DEPÓSITO<br>CARCASSA SUP. SERBATOIO<br>TOP TANK FRAME                              | TANKKLAPPE<br>COUVERCLE DE RESERVOIR                    | 1 2 3 |                                   |
| 02A  |      | 00H00604141 | PALANCA CIERRE<br>LEVA<br>LEVER  | SCHLOSS-VERSCHLUSSHEBEL<br>LEVIER FERMETURE SELLE       | 1 2 3 |                                   |
| 03A  |      | 00H06303762 | MUELLE ARTIC.TAPA DEPTO.GASOL.<br>MOLLA ARTIC. COPER. SUP. SERB.<br>SPRING                   | RITZELFEDER<br>RESSORT                                  | 1 2 3 |                                   |
| 04A  |      | 00047030400 | ANILLO SEG.EJES D.4.DIN-6799.<br>ANELLO SICUREZZA ASSI D.4<br>PIN SECURING CIRCLIP D4. DIN-6 | SICHERHEITSRING ACHSE D.4<br>ANNEAU SECURITE AXE D.4    | 1 2 3 |                                   |
| 05A  |      | 00H06303752 | EJE ARTIC.TAPA DEPOS.GASOLINA<br>ASSE ARTIC. COPER.C.SUP.SERB.<br>AXLE                       | STIFT<br>AXE  | 1 2 3 |                                   |
| 06A  |      | 00H04302181 | CTO. NIVEL GASOLINA<br>LIVELLO BENZINA SEND<br>GAS LEVEL SENSOR ASSY.                        | KRAFTSTOFFSTAND<br>ENSEMBLE FLOTTEUR ESSENCE            | 1 2 3 |                                   |
| 07A  |      | 00F00400131 | CTO. TAPON DEPTO. GASOLINA V. BOX<br>TAPPO SERBATOIO BENZINA<br>FUEL TANK CAP ASSY           | FUEL TANK CAP ASSY<br>ENS.BOUCHON RESERV.ESSENCE V.B    | 1 2 3 |                                   |
| 08A  |      | 00F00400771 | R-ARAND. TAPON DEPOSITO<br>RONDELLA TAPPO SERBATOIO<br>FUEL TANK CAP WASHER                  | SCHEIBE F.TANKDECKEL<br>R-RONDELLE BOUCHON RESERVOI     | 1 2 3 |                                   |
| 09A  |      | 00H00406011 | DEPOSITO GASOLINA<br>SERBATOIO BENZINA<br>FUEL TANK  | BENZINTANK<br>RESERVOIR ESSENCE                         | 1 2 3 |                                   |
| 10A  |      | 00G00400501 | ABRAZ.FIJ.GRIFO.16-25<br>FASCETTA FISSAGGIO RUBINETTO<br>FUEL COCK SECURING CLAMP            | BEF.-SCHELLE F.HAHN 16-2<br>BRIDE FIXATION ROBINET.16-2 | 1 2 3 |                                   |



| Fig. | Ver. | COD. KOD.   | DESCRIPCIÓN DENOMINAZIONE NAME   | BEZEICHUNG DESIGNATION                                  | MOD.  | NOTAS NOTES NOTA MITSCHRIFT NOTES |
|------|------|-------------|--|---|-------|-----------------------------------|
| 11A  |      | 00G00400181 | CTO. GRIFO GASOLINA<br>RUBINETTO BENZINA<br>FUEL COCK ASSY                   | KRAFTSTOFFHAHN UNTERDRUCK<br>ENSEMBLE ROBINET ESSENCE   | 1 2 3 |                                   |
| 12A  |      | 00D03700131 | ABRAZ.ELAST.9,8<br>FASCETTA ELASTICA TUBO BENZINA<br>FUEL PIPE ELASTIC CLAMP | ELAST.KLAMMER GASLEITUNG<br>CRAMPON ELASTIQUE TUBE ESSE | 1 2 3 |                                   |
| 13A  |      | 00G03204272 | MUELLE TUBO ADMISION<br>ANELLO<br>CARB. AIR INTAKE TUBE                      | SCHAUCHSCHELLE<br>COLLIER                               | 1 2 3 |                                   |
| 14A  |      | 00F00403321 | TUBO GASOLINA<br>TUBO BENZINA<br>FUEL PIPE                                   | BENZINSCHLAUCH<br>TUYAU ESSENCE                         | 1 2 3 |                                   |
| 15A  |      | 00H06201061 | TUBO DEPRESSION<br>TUBO DEPRESSIONE<br>DEPRESSION PIPE                       | BENZINSCHLAUCH<br>TUYAU ESSENCE                         | 1 2 3 |                                   |
| 16A  |      | 00F03710131 | ABRAZ. ELAST.D.816<br>FASCETTA ELASTICA D.816<br>CLAMP                       | BEF.-SCHELLE<br>ENTRETOISE                              | 1 2 3 |                                   |
| 17A  |      | 00H00621011 | CTO.SILLIN<br>COMP.SELLINO<br>SEAT   | SITZBANK<br>SELLE                                       | 1 2 3 |                                   |
| 18A  |      | 00H00600341 | SUPLEMENTO BASE SILLIN<br>SUPPLEMENTO SELLINO<br>SEAT SUPPLEM.               | ZUBEHOR SITZBANK<br>SUPL.SELLE                          | 1 2 3 |                                   |
| 19A  |      | 00011051801 | TORNILLO PARA PLASTICO 5.1 X 18<br>VITE<br>SCREW                             | SCHRAUBE<br>VIS   | 1 2 3 |                                   |
| 20A  |      | 00012061200 | TORNILLO C/CR. 6 M 100 X 12<br>VITE<br>SCREW                                 | SCHRAUBE<br>VIS   | 1 2 3 |                                   |

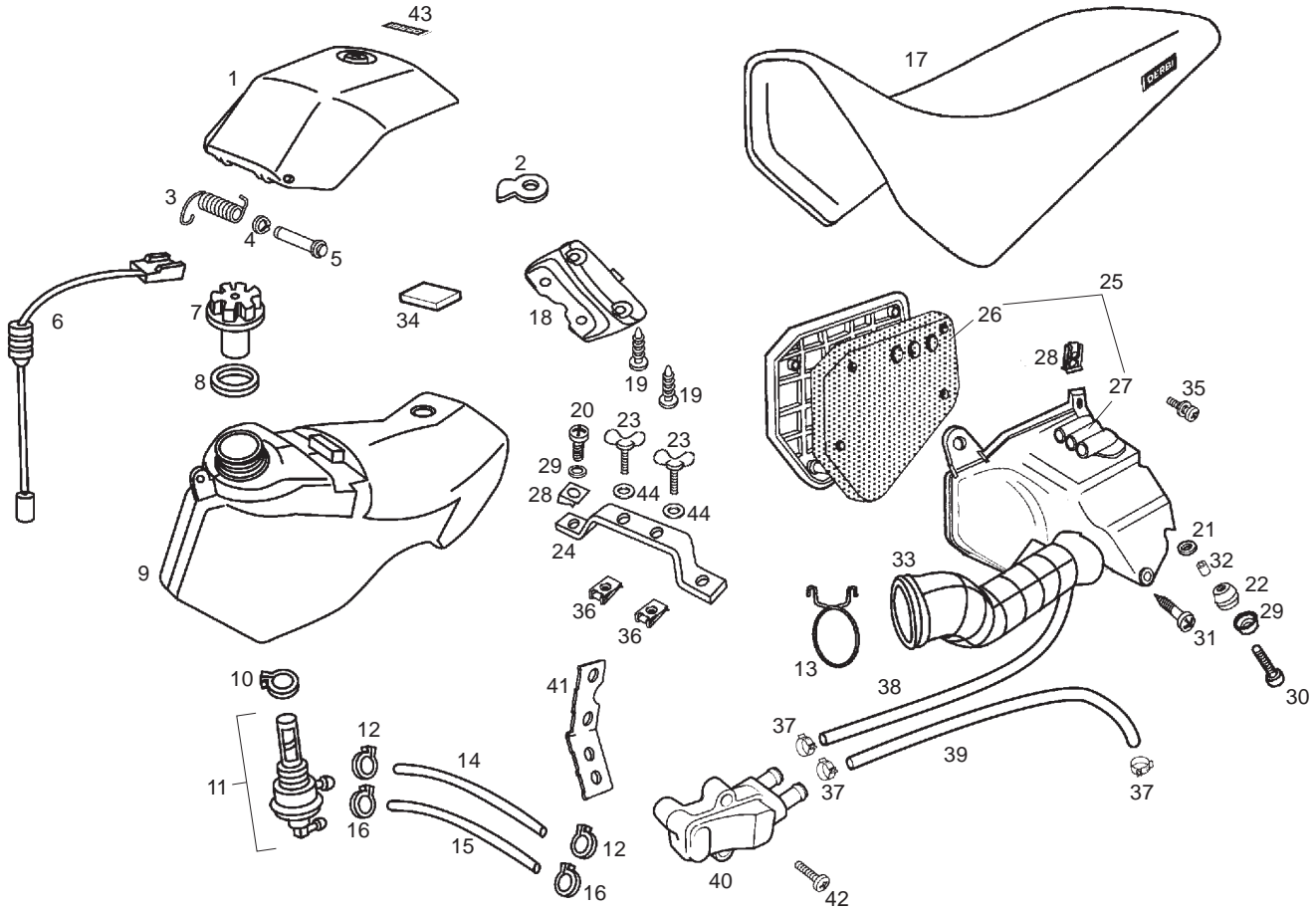


| Fig. | Ver. | COD. KOD.   | DESCRIPCIÓN DENOMINAZIONE NAME   | BEZEICHNUNG DESIGNATION  | MOD.  | NOTAS NOTES NOTA MITSCHRIFT NOTES |
|------|------|-------------|--|--|-------|-----------------------------------|
| 21A  |      | 00008915020 | PROTECCION CABLES<br>PROTEZIONE CAVI<br>RUBBER, CABLE PROTECTOR          | GUMMI<br>PASSE-CABLE   | 1 2 3 |                                   |
| 22A  |      | 00008915020 | PROTECCION CABLES.<br>PROTEZIONE<br>PROTECTOR                            | HALTER<br>PROTECTEUR   | 1 2 3 |                                   |
| 23A  |      | 00H06101231 | TORNILLO MARIPOSA 5X12<br>VITE<br>SCREW                                  | SCHRAUBE<br>VIS  | 1 2 3 |                                   |
| 24A  |      | 00H00404051 | PUENTE FIJ. DPSTO.<br>SUPPORTO INF. SERBATOIO<br>LOWER FUEL TANK BRACKET | LOWER FUEL TANK BRACKET GPRÈRÈ<br>SUPPORT INFÉRIEUR RÏSERVOIR ES | 1 2 3 |                                   |
| 25A  |      | 00H01800541 | CTO. CAJA FILTRO<br>CASSA FILTRO<br>AIR FILTER BOX                       | FILTERKASTEN<br>ENSEMBLE BOITE FILTRE                            | 1 2   |                                   |
| 25B  |      | 00H06007211 | CTO. CAJA FILTRO<br>CASSA FILTRO<br>AIR FILTER BOX                       | FILTERKASTEN<br>ENSEMBLE BOITE FILTRE                            | 3     |                                   |
| 26A  |      | 00H03201251 | ESPUMA FILTRO AIRE<br>ESPANSO FILTRO ARIA<br>AIR FILTER MESH             | LUFTFILTERSCHAUM<br>FILTRE AIR                                   | 1 2 3 |                                   |
| 27A  |      | 00D03210491 | TUBO ASPIRACION<br>TUBO ASPIRAZIONE YUMBO FD<br>AIR INTAKE               | SAUGROHR<br>TUBE DIASPIRATION                                    | 1 2 3 |                                   |
| 28A  |      | 00D01501371 | TUERCA FIJACION D6<br>DADO<br>NUT  | MUTTER<br>ECTROU   | 1 2 3 |                                   |
| 29A  |      | 00D01500552 | CAZOLETA ZnB<br>SCADELLINO FISSAGGIO<br>HOUSING                          | ABDECKSCHEIBE<br>CUVETTE   | 1 2 3 |                                   |



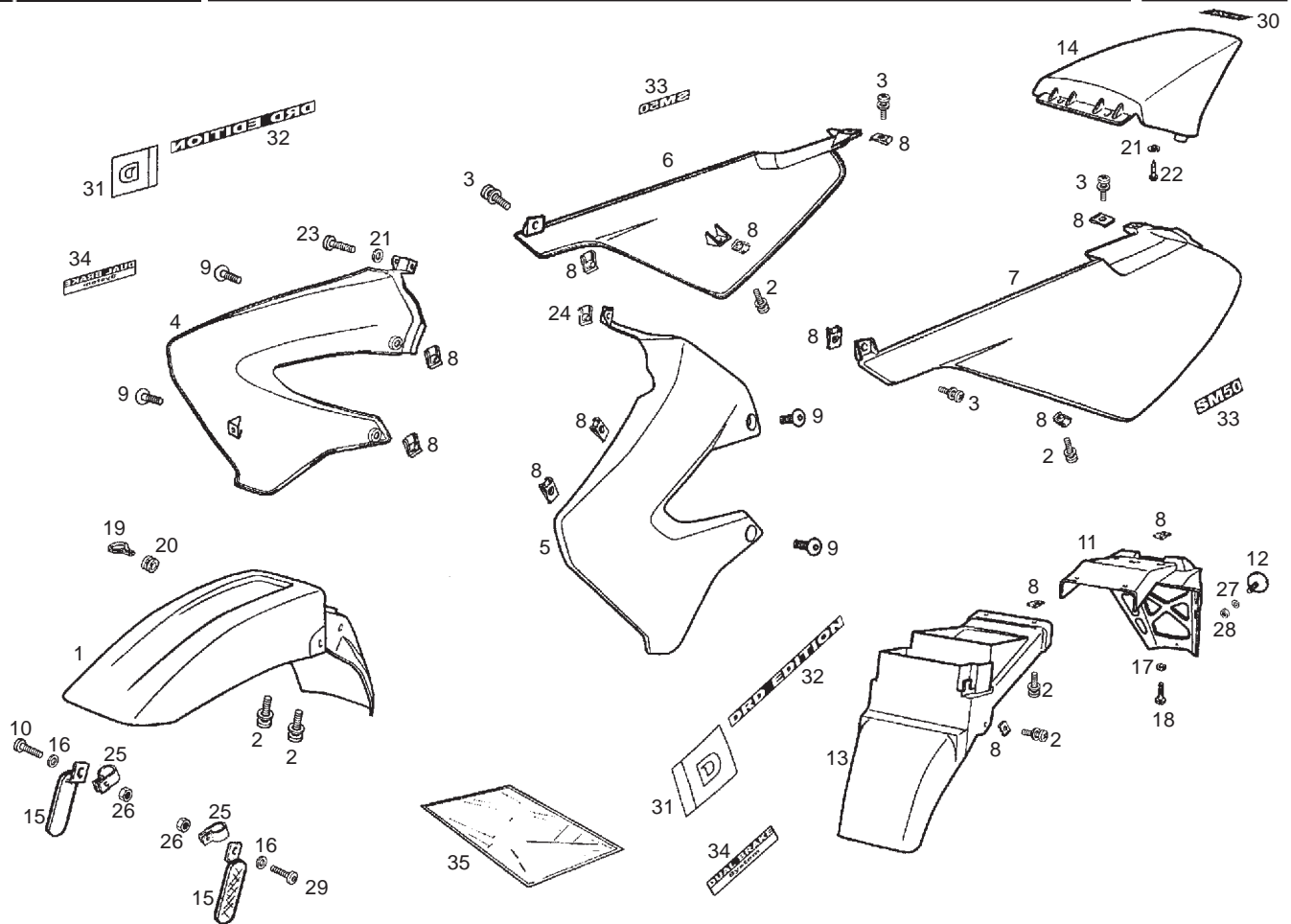
| Fig. | Ver. | COD. KOD.   | DESCRIPCIÓN DENOMINAZIONE NAME  | BEZEICHUNG DESIGNATION                           | MOD.  | NOTAS NOTES NOTA MITSCHRIFT NOTES |
|------|------|-------------|---|--|-------|-----------------------------------|
| 30A  |      | 00012161600 | TORNILLO C/CRUZ 6M100X16 NG<br>VITE<br>SCREW                                | SCHRAUBE<br>VIS                                  | 1 2 3 |                                   |
| 31A  |      | 00073481964 | TORNILLO AUTOROSCANTE 4,8X19 NG<br>VITE<br>SCREW                            | SCHRAUBE<br>VIS                                  | 1 2 3 |                                   |
| 32A  |      | 00D01500471 | CASQUILLO<br>GHIERA<br>BUSHING  | FUHRUNGSBUCHSE GABELSCHENK<br>ENTRETOISE         | 1 2 3 |                                   |
| 33A  |      | 00H03207261 | TUBO ADMISION.<br>TUBO AMMISSIONE<br>AIR INTAKE HOSE                        | ENLAISROR<br>TUYAU DIADMISSION                   | 1 2 3 |                                   |
| 34A  |      | 00H00403831 | TOPE TAPA DEPOSITO<br>GOMMA<br>RUBBER                                       | GUMMISTOPPEL<br>CAOUTCHOUC                       | 1 2 3 |                                   |
| 35A  |      | 00H05900021 | SCTO TORNILLO 6M100X16 NG<br>VITE<br>SCREW                                  | SCHRAUBE<br>VIS                                  | 1 2 3 |                                   |
| 36A  |      | 00H01500691 | TUERCA FIJACION D5<br>DADO<br>NUT   | MUTTER<br>ECTROU                                 | 1 2 3 |                                   |
| 37A  |      | 00H03802461 | ABRAZADERA<br>FLANGIA<br>FLANGE   | FLANSCH<br>BRIDE                                 | 3     |                                   |
| 38A  |      | 00H04200721 | TUBO CONEXIÓN CAJA FILTRO - SAS<br>TUBO CASSA FILTRO<br>AIR FILTER BOX TUBE | FILTERKASTEN RHOR<br>TUYAU ENSEMBLE BOITE FILTRE | 3     |                                   |
| 39A  |      | 00H04202721 | TUBO<br>TUBO<br>TUBE  | RHOR<br>TUYAU                                    | 3     |                                   |



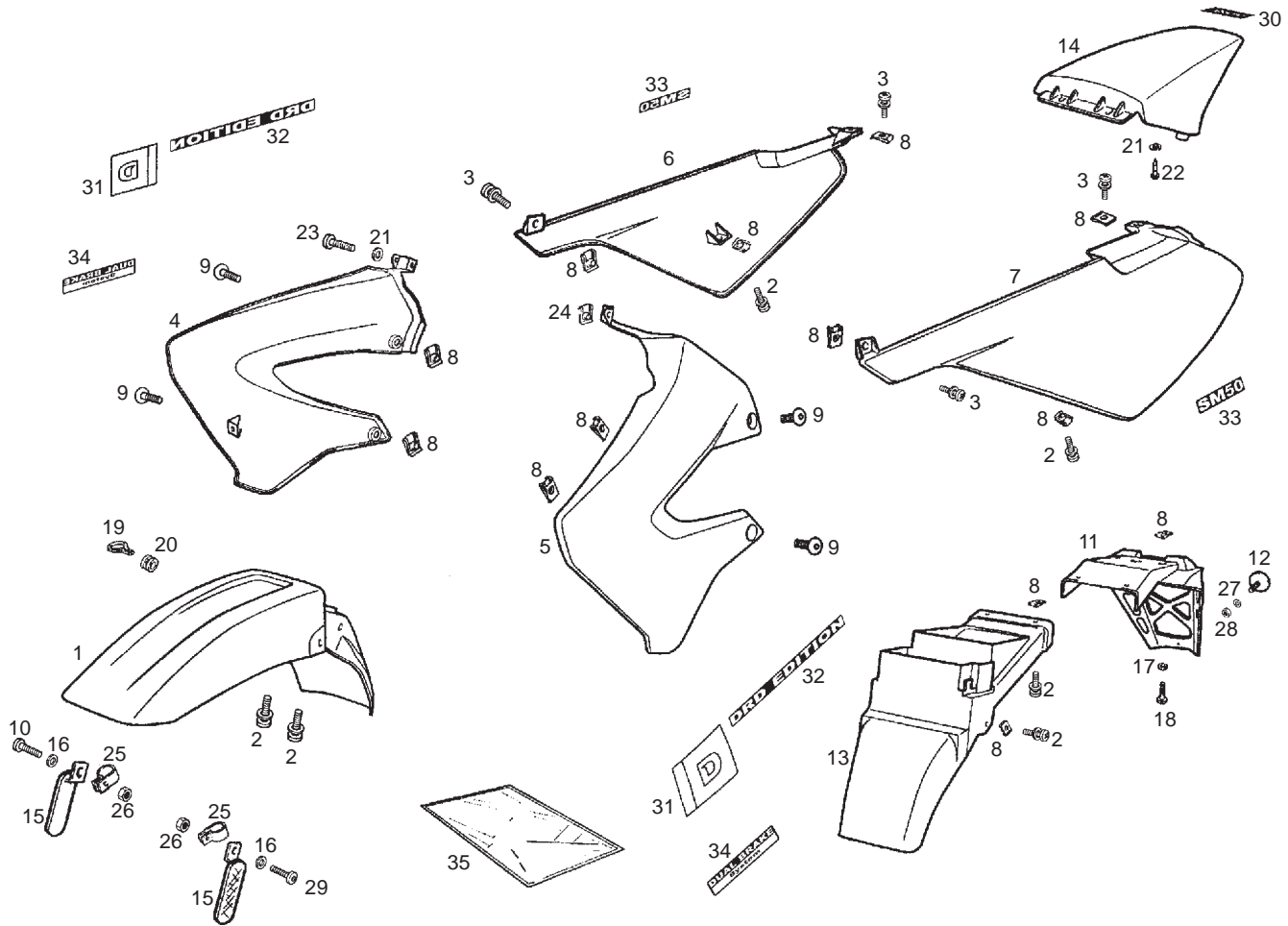


| Fig. | Ver. | COD. KOD.   | DESCRIPCIÓN DENOMINAZIONE NAME   | BEZEICHNUNG DESIGNATION                           | MOD.  | NOTAS NOTES NOTA MITSCHRIFT NOTES |
|------|------|-------------|--|---|-------|-----------------------------------|
| 40A  |      | 00F04200741 | CAJA DE AIRE SECUNDARIO<br>CASSA SECONDARIA DI ARIA<br>SECONDARY AIR BOX | SEKUNDÄRLUFT-KASTEN<br>BOÎTE SECONDAIRE D'AIR     | 3     |                                   |
| 41A  |      | 00H06500561 | CARTELA SOPORTE CAJA AIRE<br>SUPPORTO CASSA DI ARIA<br>AIR BOX SUPPORT   | LUFT-KASTEN-UNTERSTÜTZUNG<br>APPUI DE BOÎTE D'AIR | 3     |                                   |
| 42A  |      | 00012062500 | TORNILLO<br>VITE<br>SCREW  | SCHRAUBE<br>VIS                                   | 3     |                                   |
| 43A  |      | 00H00406521 | CALCA TAPA SUPERIOR DEPOSITO<br>ADESIVO<br>DECAL                         | SCHRIFTZUG<br>ADHESIF                             | 1 2 3 |                                   |
| 44A  |      | 00D02600631 | ARANDELA<br>RONDELLA<br>WASHER   | SCHEIBE<br>RONDELLE                               | 1 2 3 |                                   |

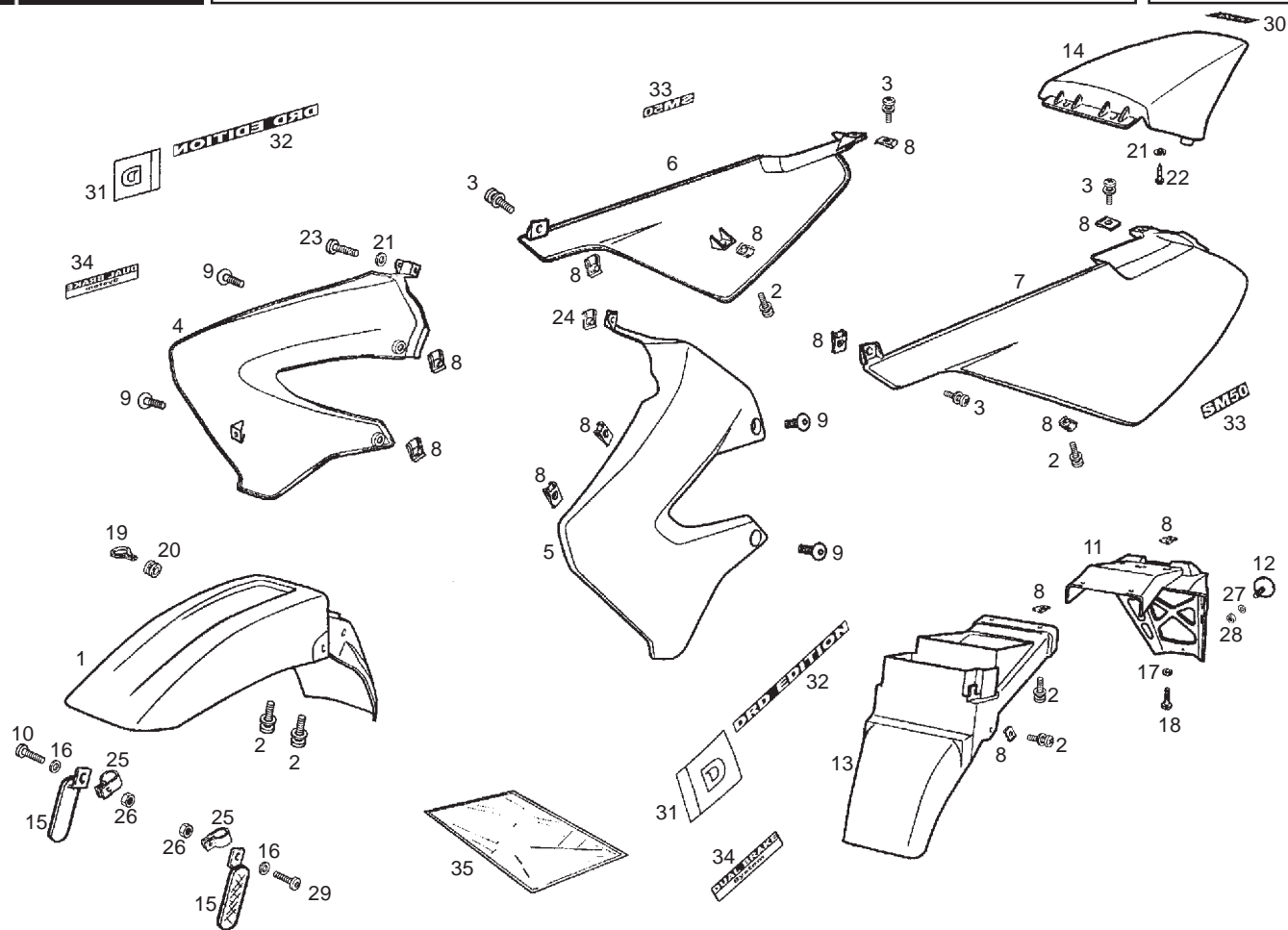




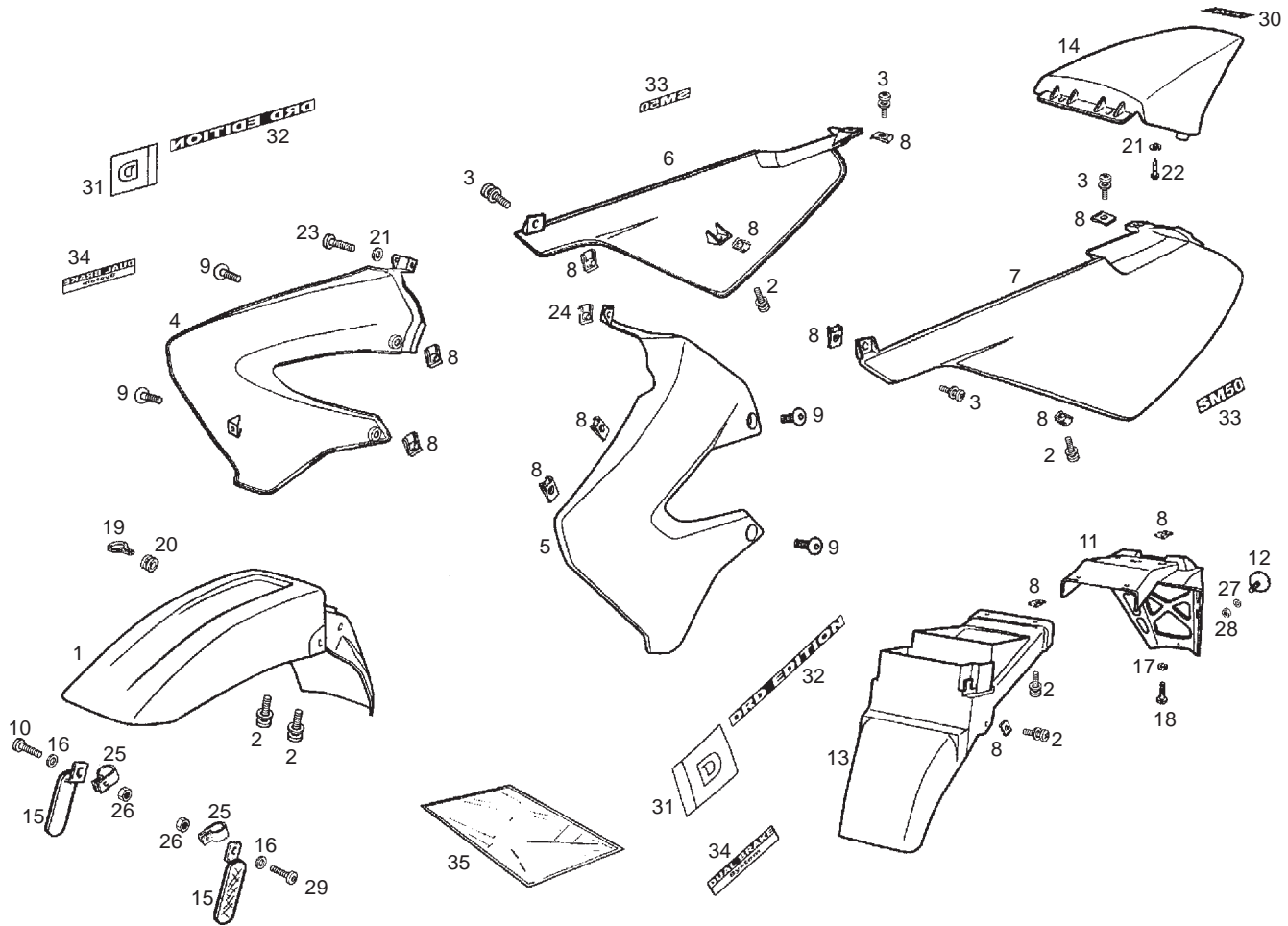
| Fig. | Ver. | COD. KOD.   | DESCRIPCIÓN DENOMINAZIONE NAME  | BEZEICHUNG DESIGNATION                             | MOD.  | NOTAS NOTES NOTA MITSCHRIFT NOTES |
|------|------|-------------|---|--|-------|-----------------------------------|
| 01A  |      | 00H00719022 | GUARDABARROS DEL. NEGRO<br>PARAFANGO ANTERIORE<br>FRONT MUDGUARD ASSY   | KOTFLUGEL VORN<br>GARDE-BOUE AVANT RGE             | 1 2 3 |                                   |
| 02A  |      | 00H05900021 | SCTO TORNILLO 6M100X16 NG<br>VITE<br>SCREW                              | SCHRAUBE<br>VIS                                    | 1 2 3 |                                   |
| 03A  |      | 00F05900041 | SCTO TORNILLO 6M100X16 NG<br>VITE<br>SCREW                              | SCHRAUBE<br>VIS                                    | 1 2 3 |                                   |
| 04A  |      | 00H04410772 | TAPA DEL. DR. NEGRA<br>COP.ANT.DES.C/C.<br>LOWER RIGHT-HAND ADORNMENT   | SEITENTEIL<br>OUIE MOTEUR D.                       | 1 2 3 |                                   |
| 05A  |      | 00H04410782 | TAPA DEL. IZ. NEGRA<br>COP.ANT.SIN.C/C<br>FRONT COVER LEFT SIDE         | KHULERVERKLEIDUNG<br>OUIE MOTEUR G.                | 1 2 3 |                                   |
| 06A  |      | 00H00505077 | TAPA LAT. DR.<br>COPERC.LAT.DES.C/C.<br>RIGHT HAND SIDE COVER           | SEITENDECKEL RECHTS<br>PLAQUE LATERAL DROITE AVEC  | 1 2 3 |                                   |
| 07A  |      | 00H00505087 | TAPA LAT. IZ.<br>COP.LAT.SIN.C/C.<br>LEFT HAND SIDE COVER               | SEITENDECKEL- LINKS<br>FLANC LAT.G.AVEC DECAL      | 1 2 3 |                                   |
| 08A  |      | 00D01501371 | TUERCA FIJACION D6<br>DADO<br>NUT                                       | MUTTER<br>ECTROU                                   | 1 2 3 |                                   |
| 09A  |      | 00H01501701 | TORNILLO FIJ. ESC. FRONTAL<br>VITE<br>SCREW                             | SCHRAUBE<br>VIS                                    | 1 2 3 |                                   |
| 10A  |      | 00012052500 | TORNILLO C/CRUZ 5M80X25<br>VITE<br>SCREW                                | SCHRAUBE<br>VIS                                    | 1 2 3 |                                   |
| 11A  |      | 00H00715341 | SUPLEM.GUARD.TR.<br>SUPPLEMENTO PARAFANGO POST.<br>SUPPLEM. REAR FENDER | ZUBEHOR STAUBFANGER HINTEN<br>SUPL. GARDE BOUE AR. | 1 2 3 |                                   |



| Fig. | Ver. | COD. KOD.   | DESCRIPCIÓN DENOMINAZIONE NAME                                   | BEZEICHNUNG DESIGNATION                                | MOD.  | NOTAS NOTES NOTA MITSCHRIFT NOTES |
|------|------|-------------|--|--|-------|-----------------------------------|
| 12A  |      | 00K05110651 | CAPTAFAROS TRAS.ROJO CATARIFRANGENTE POSTERIORE R REAR REFLECTOR | RUCKS TRAHLER CATADIOPTRE ARRIERE                      | 1 2 3 |                                   |
| 13A  |      | 00H00705121 | GUARDAB.TR.NEW PARAFANGO POSTERIORE REAR MUDGUARD                | KOTFLUGEL HINTEN GARDE BOUE ARRIERE                    | 1 2 3 |                                   |
| 14A  |      | 00H00608169 | COLIN COLIN SELLINO SEAT BASE                                    | KOTFLUGEL HINTEN DOSSERET SELLE                        | 1 2 3 |                                   |
| 15A  |      | 00H01802081 | CAPTAFAROS CATARIFRANGENTE REFLECTOR                             | TRAHLER ADHESIF  | 1 2 3 |                                   |
| 16A  |      | 00031105000 | ARANDELA PLANA D5 RONDELLA WASHER                                | SCHEIBE RONDELLE                                       | 1 2 3 |                                   |
| 17A  |      | 00D01200171 | ARANDELA PLANA D6 RONDELLA WASHER                                | SCHEIBE RONDELLE                                       | 1 2 3 |                                   |
| 18A  |      | 00012061200 | TORNILLO 6M100X12 NG VITE SCREW                                  | SCHRAUBE VIS   | 1 2 3 |                                   |
| 19A  |      | 00H02201591 | GUIA CABLES FRENO GUIDA CAVI CABLE GUIAE                         | HALTER F. BEF. BREMSSCHLAU SOUS-EN.SUP.FIX.TUYAU FREIN | 1 2 3 |                                   |
| 20A  |      | 00D01500021 | PASACABL. INST.GUARD.TR. PORTACAVI IST. FARAFANGO POST. GROMMET  | GUMMI CAOUTCHOUC PASSE-CABLE                           | 1 2 3 |                                   |
| 21A  |      | 00000031050 | ARANDELA PL. M5 RONDELLA WASHER                                  | SCHEIBE RONDELLE                                       | 1 2 3 |                                   |
| 22A  |      | 00011051401 | TORNILLO AUTRRCCTE. 5 X14 VITE SCREW                             | SCHRAUBE VIS   | 1 2 3 |                                   |



| Fig. | Ver. | COD. KOD.   | DESCRIPCIÓN DENOMINAZIONE NAME                         | BEZEICHUNG DESIGNATION            | MOD.  | NOTAS NOTES NOTA MITSCHRIFT NOTES |
|------|------|-------------|--|-----------------------------------|-------|-----------------------------------|
| 23A  |      | 00012052500 | TORNILLO C/CRUZ 5M80X25<br>VITE<br>SCREW               | SCHRAUBE<br>VIS                   | 1 2 3 |                                   |
| 24A  |      | 00G04401462 | TUERCA FIJ. ESC. FRONTAL<br>DADO<br>NUT                | MUTTER<br>ECTROU                  | 1 2 3 |                                   |
| 25A  |      | 00H01501811 | BRIDA FIJACION CABLE<br>FLANGIA<br>TIE                 | BINDER<br>COLLIER                 | 1 2 3 |                                   |
| 26A  |      | 00000023051 | TUERCA AUTOBLOCANTE 5M80<br>DADO<br>NUT                | MUTTER<br>ECTROU                  | 1 2 3 |                                   |
| 27A  |      | 00000031040 | ARANDELA PLANA MECANIZADA 4,3 NG<br>RONDELLA<br>WASHER | SCHIEBE<br>RONDELLE               | 1 2 3 |                                   |
| 28A  |      | 00000023040 | TUERCA AUTOBLOCANTE 4M70<br>DADO<br>NUT                | MUTTER<br>ECTROU                  | 1 2 3 |                                   |
| 29A  |      | 00012051200 | TORNILLO C/CRUZ 5M80X12<br>VITE<br>SCREW               | SCHRAUBE<br>VIS                   | 1 2 3 |                                   |
| 30A  |      | 00H00611521 | CALCA DERBI<br>ADESIVO DERBI<br>DECAL DERBI            | SCHRIFTZUG DERBI<br>ADHESIF DERBI | 1 2 3 |                                   |
| 31A  |      | 00H04930561 | CALCA LOGO D<br>ADESIVO D<br>D DECAL                   | SCHRIFTZUG D<br>ADHESIF D         | 1 2 3 |                                   |
| 32A  |      | 00H04620221 | CALCA DRD EDITION NEGRA<br>ADESIVO<br>DECAL            | SCHRIFTZUG<br>ADHESIF             | 1 2 3 |                                   |
| 33A  |      | 00H00526221 | CALCA TAPA LATERAL<br>ADESIVO<br>DECAL                 | SCHRIFTZUG<br>ADHESIF             | 1 2 3 |                                   |

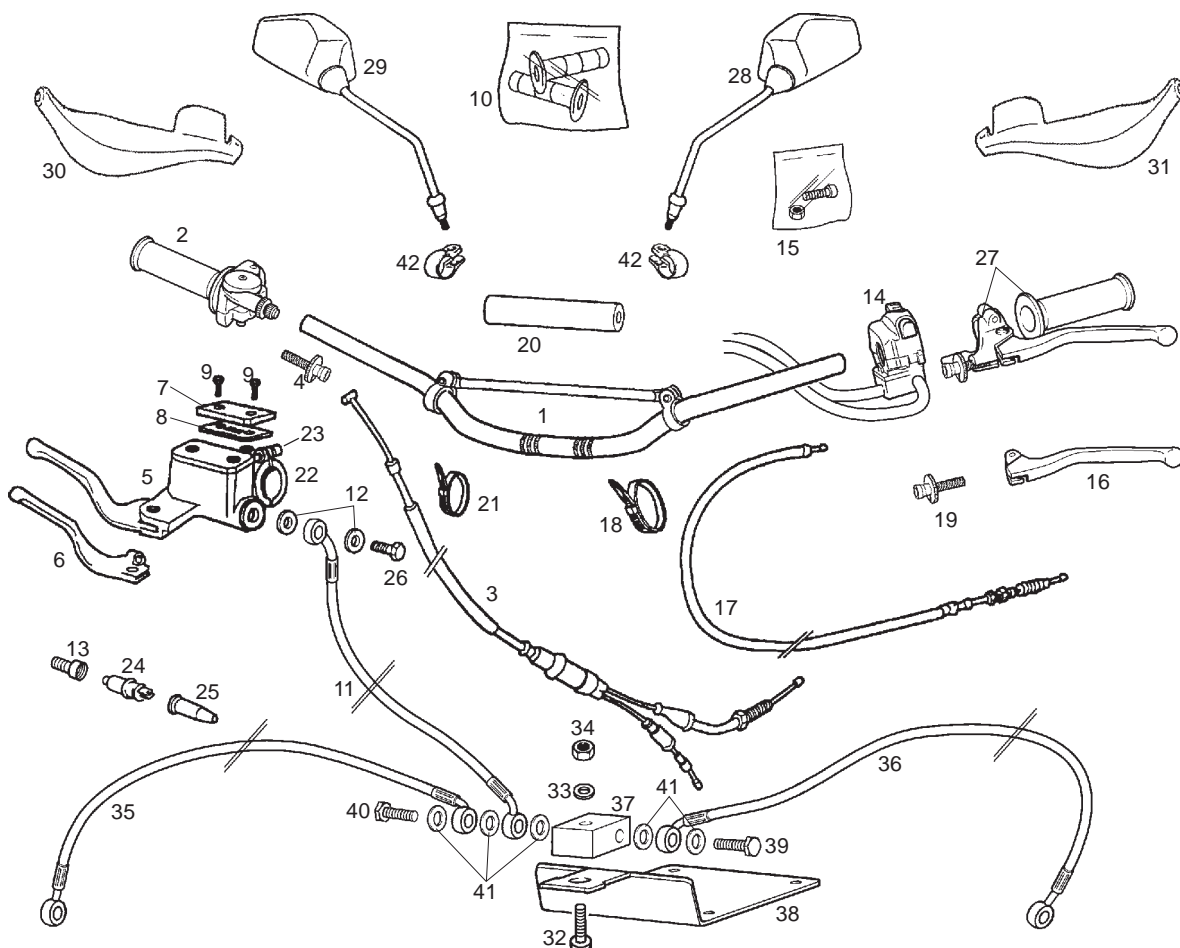


| Fig. | Ver. | COD. KOD. | DESCRIPCIÓN DENOMINAZIONE NAME | BEZEICHNUNG DESIGNATION | MOD. | NOTAS NOTES NOTA MITSCHRIFT NOTES |
|------|------|-----------|--------------------------------|-------------------------|------|-----------------------------------|
|------|------|-----------|--------------------------------|-------------------------|------|-----------------------------------|

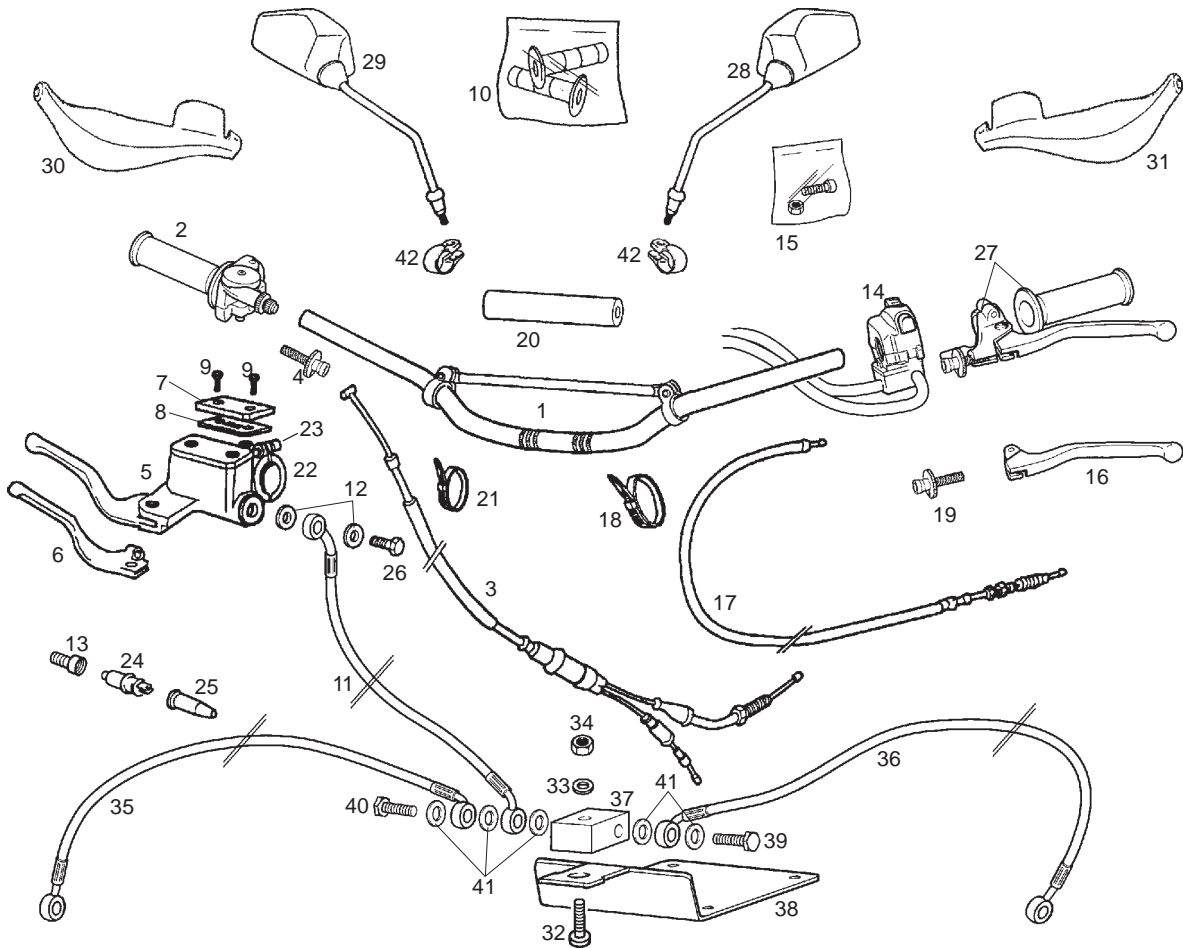
|     |  |             |                                      |                       |       |  |
|-----|--|-------------|--------------------------------------|-----------------------|-------|--|
| 34A |  | 00H04614091 | CALCA DUAL BRAKE<br>ADESIVO<br>DECAL | SCHRIFTZUG<br>ADHESIF | 1 2 3 |  |
|-----|--|-------------|--------------------------------------|-----------------------|-------|--|

**ACCESORIOS OPCIONALES / ACCESORI OPCIONALE / OPTIONAL ACCESSORIES / WERKZEUG / OTILS FOURNIS**

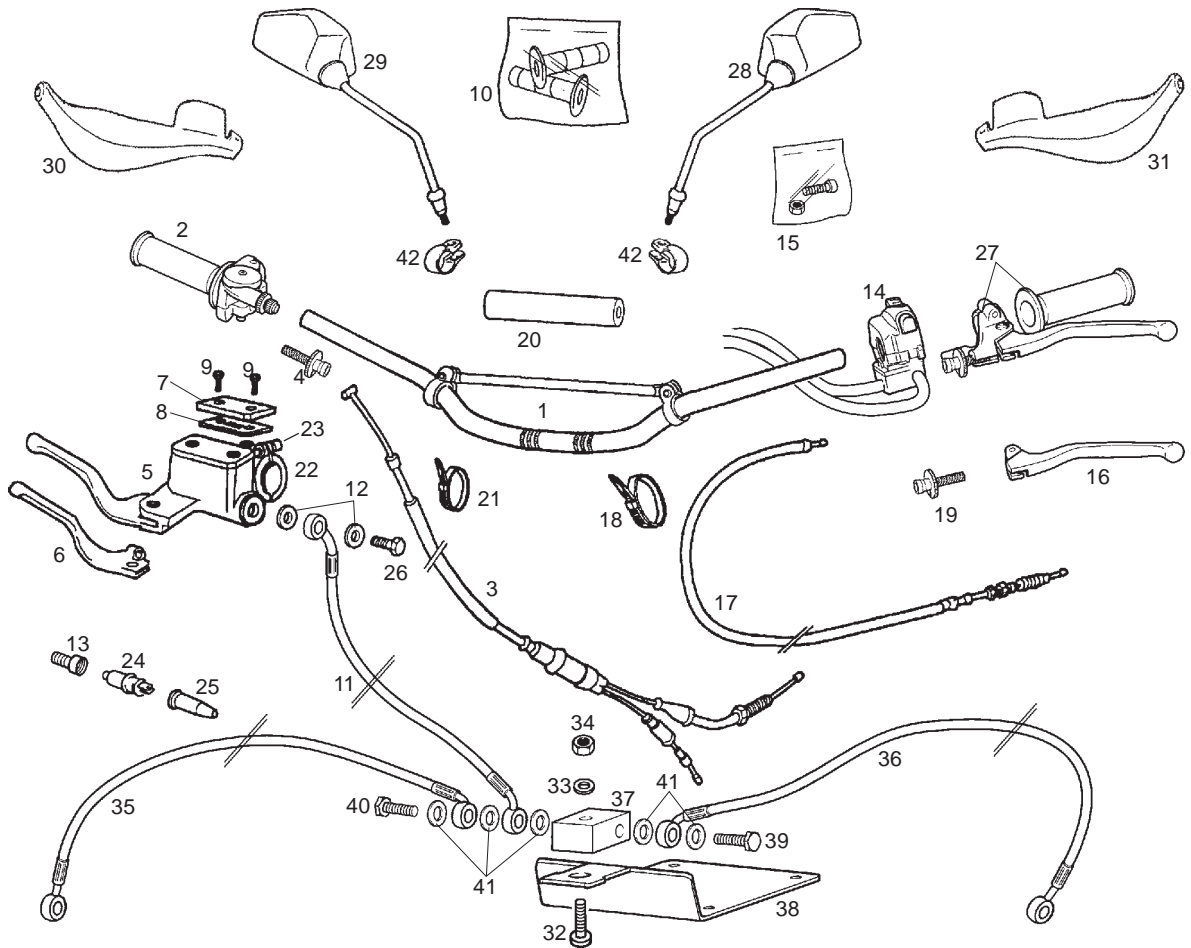
|     |  |             |  |                              |       |  |
|-----|--|-------------|--|------------------------------|-------|--|
| 35A |  | 00H05170651 | R-JUEGO CALCAS SM DRD EDT. BL. '05<br>COMPL.ADESIVI<br>DECALS ASSY | AUFKLEBERSATZ<br>JEU ADHESIF | 1 2 3 |  |
|-----|--|-------------|--|------------------------------|-------|--|



| Fig. | Ver. | COD. KOD.   | DESCRIPCIÓN DENOMINAZIONE NAME   | BEZEICHUNG DESIGNATION                                    | MOD.  | NOTAS NOTES NOTA MITSCHRIFT NOTES |
|------|------|-------------|--|---|-------|-----------------------------------|
| 01A  |      | 00H00906013 | R-CTO MANILLAR<br>MANUBRIO<br>HANDLEVAR ASSY   | LENKER<br>GUIDON  | 1 2 3 |                                   |
| 02A  |      | 00H02103621 | CTO. PUÑO GAS<br>MANOPOLA ACCELERATOR<br>THROTTLE GRIP ASSEMBLY                            | GASGRIFF<br>POIGNEE DE GAZ COMPLETE                       | 1 2 3 |                                   |
| 03A  |      | 00H00920171 | SCTO.CABLE FUNDA GAS<br>CAVO-FODERO ACCELERA<br>CABLE ASSY TRHOTTLE                        | GASKABEL<br>GAINE ET CABLE DE GAZ                         | 1 2 3 |                                   |
| 04A  |      | 00H00900191 | R-CTO TENSOR CABLE GAS<br>TENSORE CABO<br>CABLE TIGHTENING                                 | SHELLE<br>COLLIER FIX ELIERIE                             | 1 2 3 |                                   |
| 05A  |      | 00H02114081 | R-CTO MANDO FRENO DT<br>R-COMANDO FRENO<br>FRONT BRAKE LEVER/MASTER CYLIN                  | REP.-SATZ F. PUMPE<br>R-ENSEM.KIT REPAR. POMPE SE         | 1 2 3 |                                   |
| 06A  |      | 00H00906203 | R-MANETA FRENO DT<br>MANOPOLA FRENO<br>BRAKE LEVER   | BREMSHEBEL KOMPL.<br>MANETE DU FREIN AVANT                | 1 2 3 |                                   |
| 07A  |      | 00H02100191 | R-TAPA DEPOSITO LIQ. FRENO DT.<br>COPERCHIO SERBATOIO LIQUIDO<br>BRAKE FLUID RESERVOIR CAP | BREMSFLUESSIGKEITSBEHAELTE<br>R-COUV.RESER.LIQ.FREIN AVAN | 1 2 3 |                                   |
| 08A  |      | 00H02100861 | R-JUNTA TAPA DEP. LIQ. FRENO<br>GUARNIZIONE COPERCHIO<br>BRAKE FLUID RESERVOIR CAP SEAL    | BREMSCECKELDICHTUNG<br>R-JOINT COUV.RES.LIQ.FR.AV.        | 1 2 3 |                                   |
| 09A  |      | 00014041200 | TORNILLO CRUZ 4M80X12 NEGRO<br>VITE<br>SCREW   | SCHRAUBE<br>VIS   | 1 2 3 |                                   |
| 10A  |      | 00H00906081 | R-CTO JUEGO EMPUÑADURAS<br>KIT MANOPOLA<br>GRIP KIT  | GRIFF KIT<br>KIT CAOUTCHOUC DE PIGNEE                     | 1 2 3 |                                   |
| 11A  |      | 00H00918751 | R-TUBO LIQ.FR.BOMBA-DISTRIBUIDOR<br>SUBCOMP.TUBO LIQ.FRE.<br>BRAKE FLUID TUBE              | BREMSSSCHLAUCH<br>FLEXIBLE DE FREIN AVANT                 | 1 2 3 |                                   |

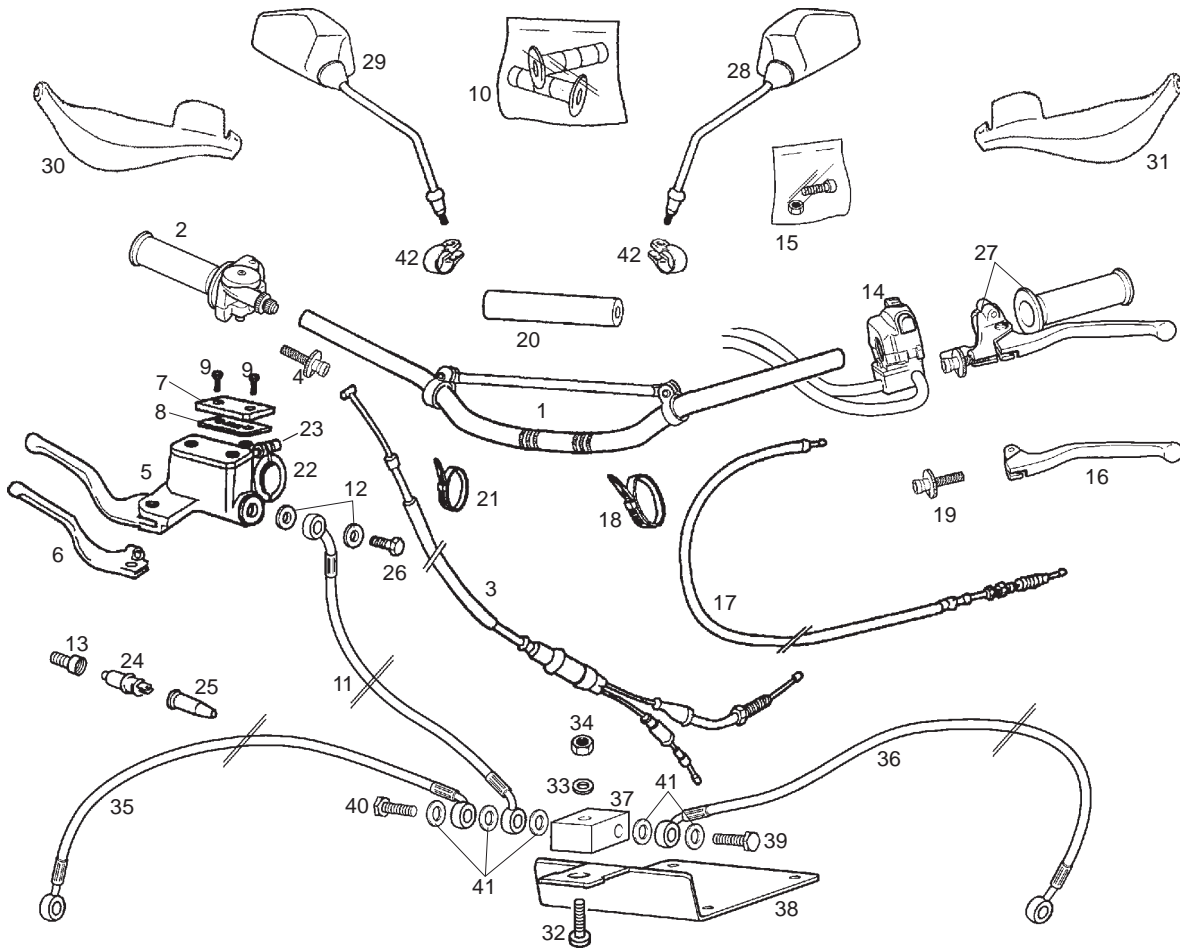


| Fig. | Ver. | COD. KOD.   | DESCRIPCIÓN DENOMINAZIONE NAME   | BEZEICHNUNG DESIGNATION                | MOD.  | NOTAS NOTES NOTA MITSCHRIFT NOTES |
|------|------|-------------|--|--|-------|-----------------------------------|
| 12A  |      | 00006321040 | ARANDELA JUNTA RACORD RONDELLA WASHER                                  | SCHEIBE RONDELLE                       | 1 2 3 |                                   |
| 13A  |      | 00H00900871 | R-CASQUILLO FIJ. INTERRUPTOR STOP GHIERA BUSHING                       | BUCHSE ENTRETOISE                      | 1 2 3 |                                   |
| 14A  |      | 00H02305171 | CTO.CONMUTADOR LUZ/INTTS CONMUTATORE LUCI SWITCH                       | LICHTSCHALTER INVERSEUR AVEC CABLE     | 1 2 3 |                                   |
| 15A  |      | 00H00902511 | CTO. KIT ACCES. PROTECT.MANETA KIT VITE SCREW ASSY                     | SCHRAUBE LIT KIT VIS                   | 1 2 3 |                                   |
| 16A  |      | 00H00903293 | R-MANETA EMBRAGUE LEVIER EMBRAYAGE CLUTCH LEVER                        | KUPPLUNGSHABEL LEVIER EMBRAYAGE        | 1 2 3 |                                   |
| 17A  |      | 00H00908301 | SCTO. CABLE EMBRAGUE CAVO-GUAINA FRIZ. CLUTCH COVER AND CAB.SUB.ASSY.  | KUPPLUNG SZUG GAIN ET CABLE DIEMBRYAGE | 1 2 3 |                                   |
| 18A  |      | 00F00900531 | BRIDA UNECABLES NEGRA FLANGIA UNIONE CAVI BLACK CABLE TIE              | KABELBINDER COLLIER                    | 1 2 3 |                                   |
| 19A  |      | 00H00902351 | R-CTO TENSOR CABLE EMBRAGUE TENSORE CABO CLUTCH CABLE TIGHTENING DEVIC | SHELLE COLLIER FIX ELIERIE             | 1 2 3 |                                   |
| 20A  |      | 00H00903501 | PROTECTOR MANILLAR PROTETTORE MANUBRIO HANDLEVER PROTECTOR             | LENKERHALTER PROTEGE GUIDON            | 1 2 3 |                                   |
| 21A  |      | 00A00900531 | BRIDA UNECABLES NEGRA FLANGIA UNIONE CAVI BLACK CABLE TIE              | KABELBINDER COLLIER                    | 1 2 3 |                                   |
| 22A  |      | 00H02100901 | BRIDA FIJACION MANDO FRENO DT CAVALLOTO FISSAGIO POMPA CLAMP           | BEF.-SCHELLE ENTRETOISE                | 1 2 3 |                                   |

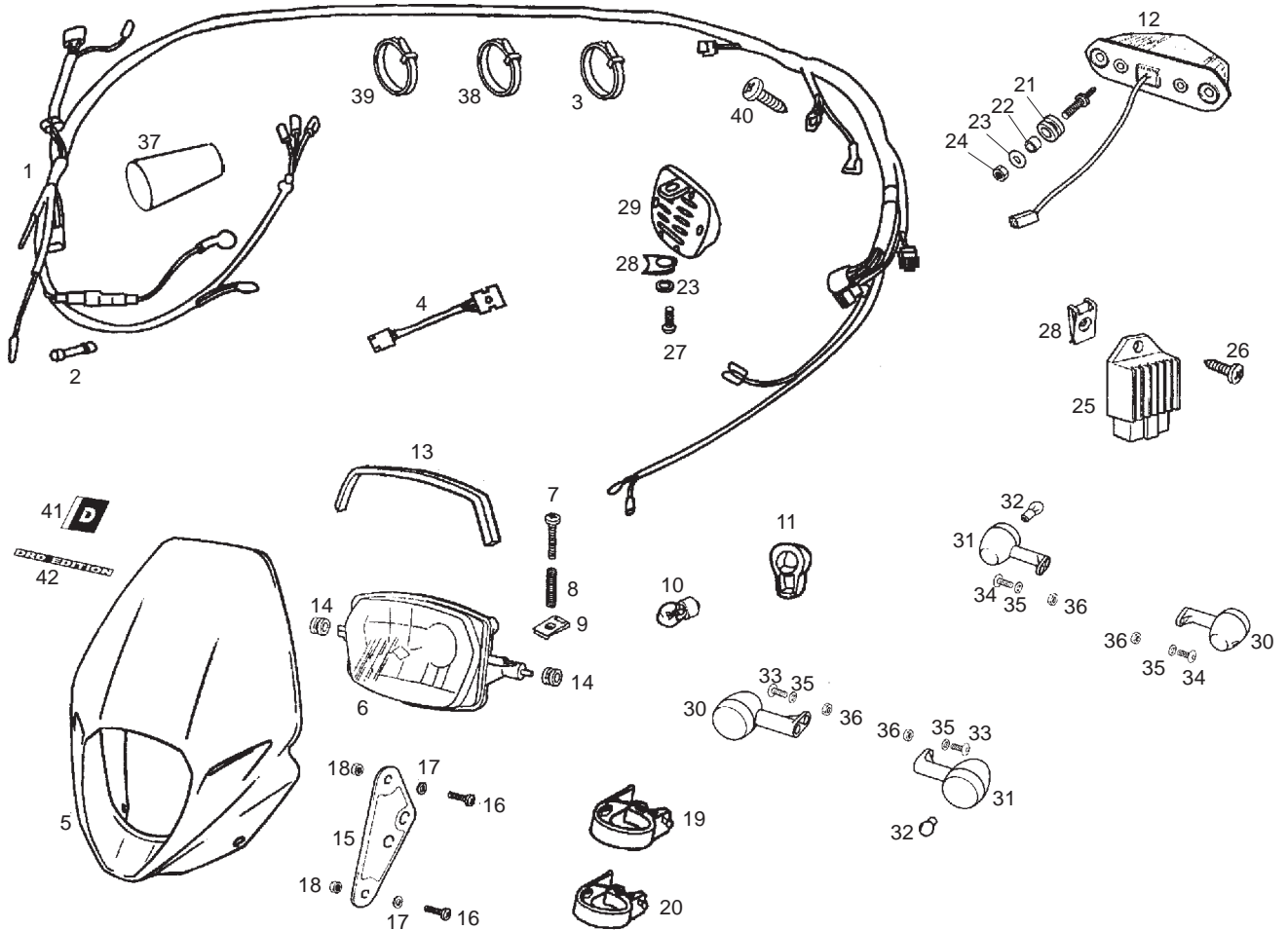


| Fig. | Ver. | COD. KOD.   | DESCRIPCIÓN DENOMINAZIONE NAME   | BEZEICHUNG DESIGNATION                                 | MOD.  | NOTAS NOTES NOTA MITSCHRIFT NOTES |
|------|------|-------------|--|--|-------|-----------------------------------|
| 23A  |      | 00002051251 | TORNILLO C/ALLEN 5M80X12<br>VITE<br>SCREW  | SCHRAUBE<br>VIS  | 1 2 3 |                                   |
| 24A  |      | 00D01000701 | INTERRUP.MANDO STOP.<br>INTERRUPTORE STOP<br>SWITCH, STOP LIGHT                              | STOPCHALTER VO.<br>INTERRUPTEUR COMMANDE STOP          | 1 2 3 |                                   |
| 25A  |      | 00005010760 | CAPUCH.INTERRUP.STOP.NG.<br>CAPPuccio INTERRUPTORE STOP NE<br>RUBBER COVER,STOP LIGHT SWITCH | GUMMISCHUTZ STOPLICHTSCHAL<br>CAPUCHON                 | 1 2 3 |                                   |
| 26A  |      | 00006309260 | RACORD TUBO HIDRAULICO<br>RACCORDO TUBO IDRAULICO<br>HYDRAULIC TUBE CONNECTOR                | STUTZEN HIDRAULIKLEITUNG<br>RACCORD TUYAU HYDRAULIQUE  | 1 2 3 |                                   |
| 27A  |      | 00H02106612 | CTO PORTAMANETAS IZQUIERDO<br>PORTAMANOPOLA SINIST<br>LEFT LEVER BRACKET                     | BREMSHEBEL LINKS KOMPLETT<br>ENS. PORTE-MANETTE GAUCHE | 1 2 3 |                                   |
| 28A  |      | 00H04603921 | CTO. ESPEJO RETROVISOR IZQ.<br>SPECCHIETO RETROVISO<br>REAR MIRROW                           | SPIEGEL<br>MIRROIR RETROVISEUR                         | 1 2 3 |                                   |
| 29A  |      | 00H02207671 | CTO. ESPEJO RETROVISOR DERECHO<br>SPECCHIETO RETROVISO<br>REAR MIRROW                        | SPIEGEL<br>MIRROIR RETROVISEUR                         | 1     | ENGLAND                           |
| 30A  |      | 00H02102011 | PROTECTOR MANETA DR,<br>PROTETTORE<br>PROTECTOR  | KAPPE<br>PROTECTOR                                     | 1 2 3 |                                   |
| 31A  |      | 00H02102831 | PROTECTOR MANETA IZ.<br>PROTETTORE<br>PROTECTOR  | KAPPE<br>PROTECTOR                                     | 1 2 3 |                                   |
| 32A  |      | 00002062511 | TORNILLO 6M100X25 ZnB<br>VITE<br>SCREW   | SCHRAUBE<br>VIS  | 1 2 3 |                                   |
| 33A  |      | 00000031060 | ARANDELA PLANA D6<br>RONDELLA<br>WASHER  | SCHEIBE<br>RONDELLE                                    | 1 2 3 |                                   |

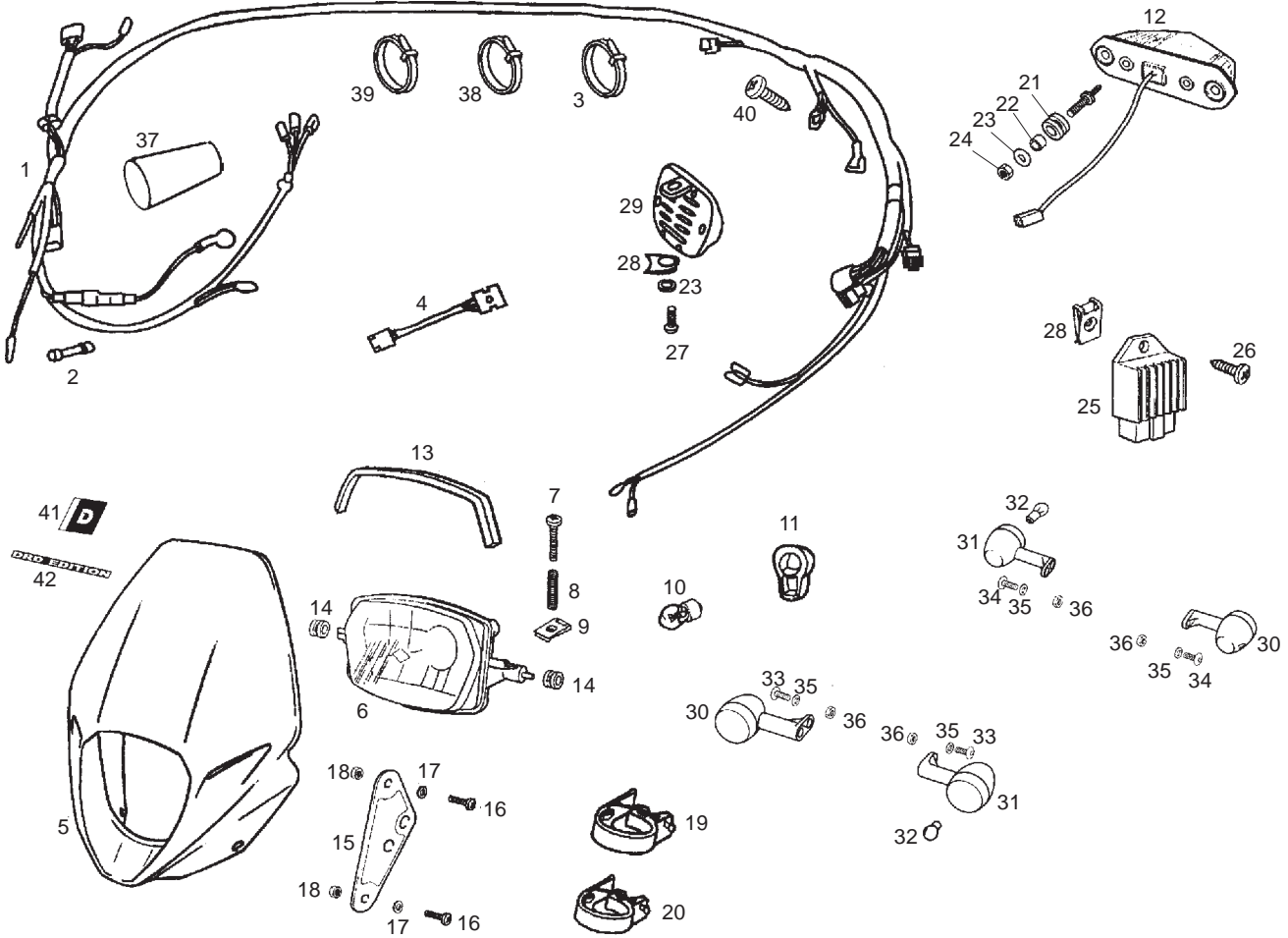




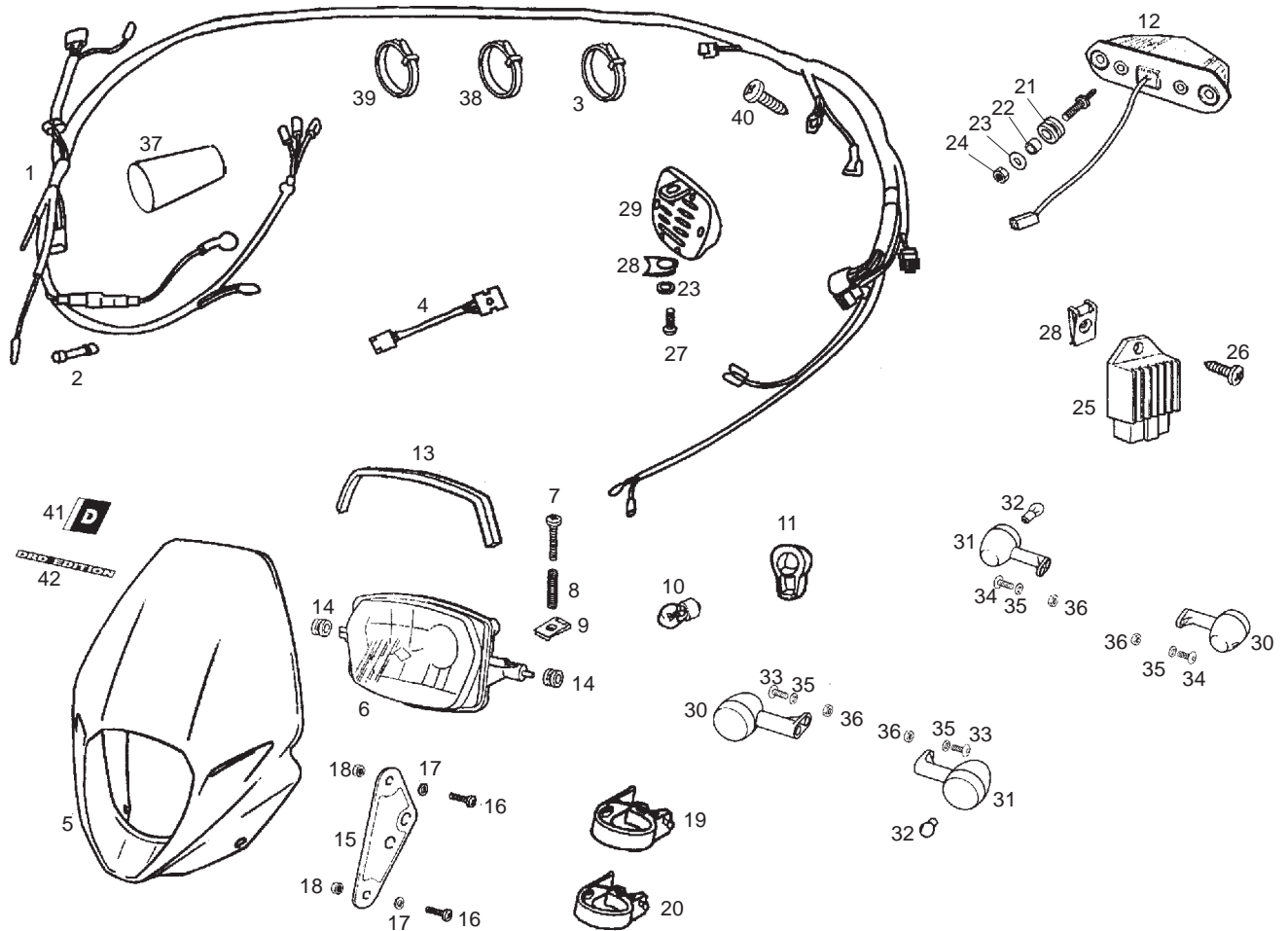
| Fig. | Ver. | COD. KOD.   | DESCRIPCIÓN DENOMINAZIONE NAME  | BEZEICHNUNG DESIGNATION                                | MOD.  | NOTAS NOTES NOTA MITSCHRIFT NOTES |
|------|------|-------------|---|--|-------|-----------------------------------|
| 34A  |      | 00D01501371 | TUERCA FIJACION D6<br>DADO<br>NUT   | MUTTER<br>ECROU  | 1 2 3 |                                   |
| 35A  |      | 00H00900741 | R-TUBO LIQ. FRENOS DISTRIB-PINZA DR<br>TUBO LIQ.FRE. DESTRA<br>RIGHT BRAKE FLUID TUBE   | BREMSSSCHLAUCH RECHT<br>FLEXIBLE DE FREIN AVANT DROITE | 1 2 3 |                                   |
| 36A  |      | 00H00900771 | R-TUBO LIQ. FRENOS DISTRIB-PINZA IZQ<br>TUBO LIQ.FRE. SINISTRA<br>LEFT BRAKE FLUID TUBE | BREMSSSCHLAUCH LINKE<br>FLEXIBLE DE FREIN AVANT GAUCHE | 1 2 3 |                                   |
| 37A  |      | 00H00900281 | R-DISTRIBUIDOR<br>DISTRIBUTORE<br>DISTRIBUTOR   | VERTEILER<br>DISTRIBUTEUR                              | 1 2 3 |                                   |
| 38A  |      | 00H02100121 | CARTELA SOPORTE DISTRIBUIDOR<br>PLACCA SUPPORTO DISTRIBUTORE<br>PLATE SUP. DISTRIBUTOR  | VERTEILERPLATTE<br>PLAQUE SUP. DISTRIBUTEUR            | 1 2 3 |                                   |
| 39A  |      | 00H00901261 | R-TORNILLO RACOR M10X18<br>VITE<br>SCREW  | SCHRAUBE<br>VIS  | 1 2 3 |                                   |
| 40A  |      | 00H00900251 | R-TORNILLO RACOR M10X32,5<br>VITE<br>SCREW  | SCHRAUBE<br>VIS  | 1 2 3 |                                   |
| 41A  |      | 00006321040 | ARANDELA JUNTA RACORD<br>RONDELLA<br>WASHER   | SCHEIBE<br>RONDELLE                                    | 1 2 3 |                                   |
| 42A  |      | 00H02200681 | CTO.BRIDA FIJ.ESP.RETROV.DRD<br>FLANGIA<br>TIE  | BINDER<br>COLLIER                                      | 1 2 3 |                                   |



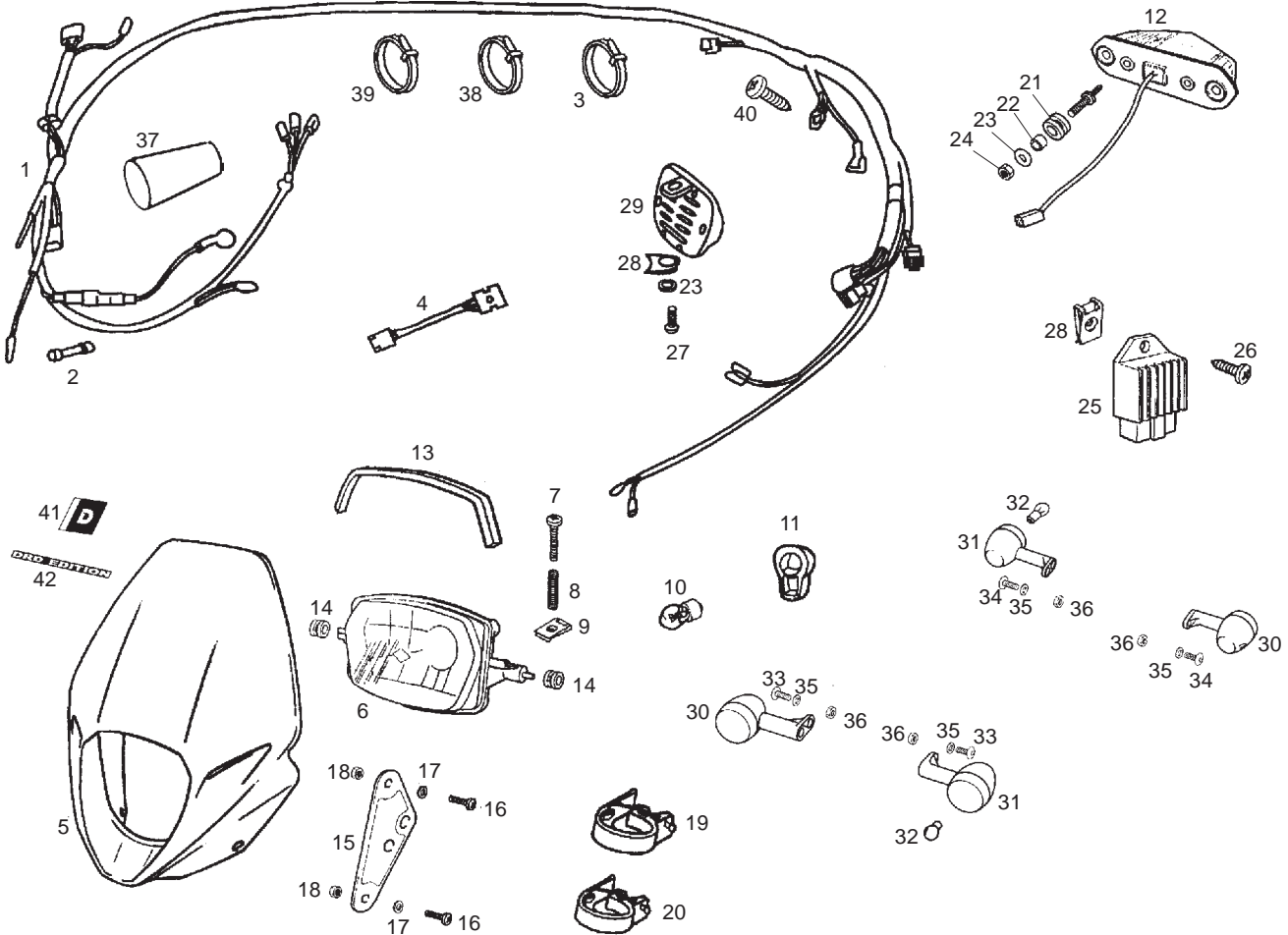
| Fig. | Ver. | COD. KOD.   | DESCRIPCIÓN DENOMINAZIONE NAME   | BEZEICHUNG DESIGNATION                           | MOD.  | NOTAS NOTES NOTA MITSCHRIFT NOTES |
|------|------|-------------|--|--|-------|-----------------------------------|
| 01A  |      | 00H01040301 | CTO INSTALACION ELECTRICA COMPLESSO IMPIANTO ELETTRICO ELECTRICAL INSTALATIONS ASSY.     | KOBELBAUM FAISCEAU ELECTRIQUE                    | 1 2 3 |                                   |
| 02A  |      | 00G01000911 | FUSIBLE 4AH FUSIBILE 4AO. FUSE 4AH.  | FUSE, 4 A FUSIBLE 4 AH.                          | 1 2 3 |                                   |
| 03A  |      | 00D00900531 | BRIDA UNECABLES NEGRA FLANGIA UNIONE CAVI BLACK CABLE TIE                                | KABELBINDER COLLIER                              | 1 2 3 |                                   |
| 04A  |      | 00H05700481 | CTO.TEMPORIZADOR CHECK IND. TEMPORIZZATORE CHECK INP. TIMER CHECK INDICATOR              | ZEITSCHALTER FAISCEAU COMPTEUR                   | 1 2 3 |                                   |
| 05A  |      | 00H01513287 | SCTO.CARC.FARO NEGRA SUBCOMP.CARC.FARO C/C. HEADLIGHT CUSING SUB-ASSEMBLY                | SCHEINWERFERVERKLEIDUNG PLAQUE PHARE             | 1 2 3 |                                   |
| 06A  |      | 00H01015011 | CTO.FARO DT. COMPLESSO FARO ANTERIORE HEADLIGHT LENS SUB-ASSEMBLY                        | SCHEINWERFER OPTIQUE COMPLETE                    | 1 2 3 |                                   |
| 07A  |      | 00012053000 | TORNILLO C/RED.CRUZ 4M70X50 VITE SCREW   | SCHRAUBE VIS                                     | 1 2 3 |                                   |
| 08A  |      | 00H02305501 | MUELLE REGULACION FARO MOLLA FARO ANTERIORE FRONT HEAD LIGHT SPRING                      | SCHEINWERFER-FEDER RESSORT PHARE AVANT           | 1 2 3 |                                   |
| 09A  |      | 00G04401462 | TUERCA FIJ.CUBRECAD, DADO NUT  | MUTTER ECTROU                                    | 1 2 3 |                                   |
| 10A  |      | 00H01000131 | LAMPARA FARO.12V.35/35W. LAMPADA FARO 12V 35/35W HEADLIGHT BULB                          | SCHEINWERFERLAMPE 12V/35-3 TUBE PHARE 12V/35-35W | 1 2 3 |                                   |
| 11A  |      | 00D05700141 | R-PROTECT.PORTALAMP.FARO FDS-SV R-PROTEZIONE PORTA LAMPADA FA HEADLAMP BULB HOLDER PROTC | LAMPENDECKEL R-PROT.PORTE-LAMPES PHARE F         | 1 2 3 |                                   |



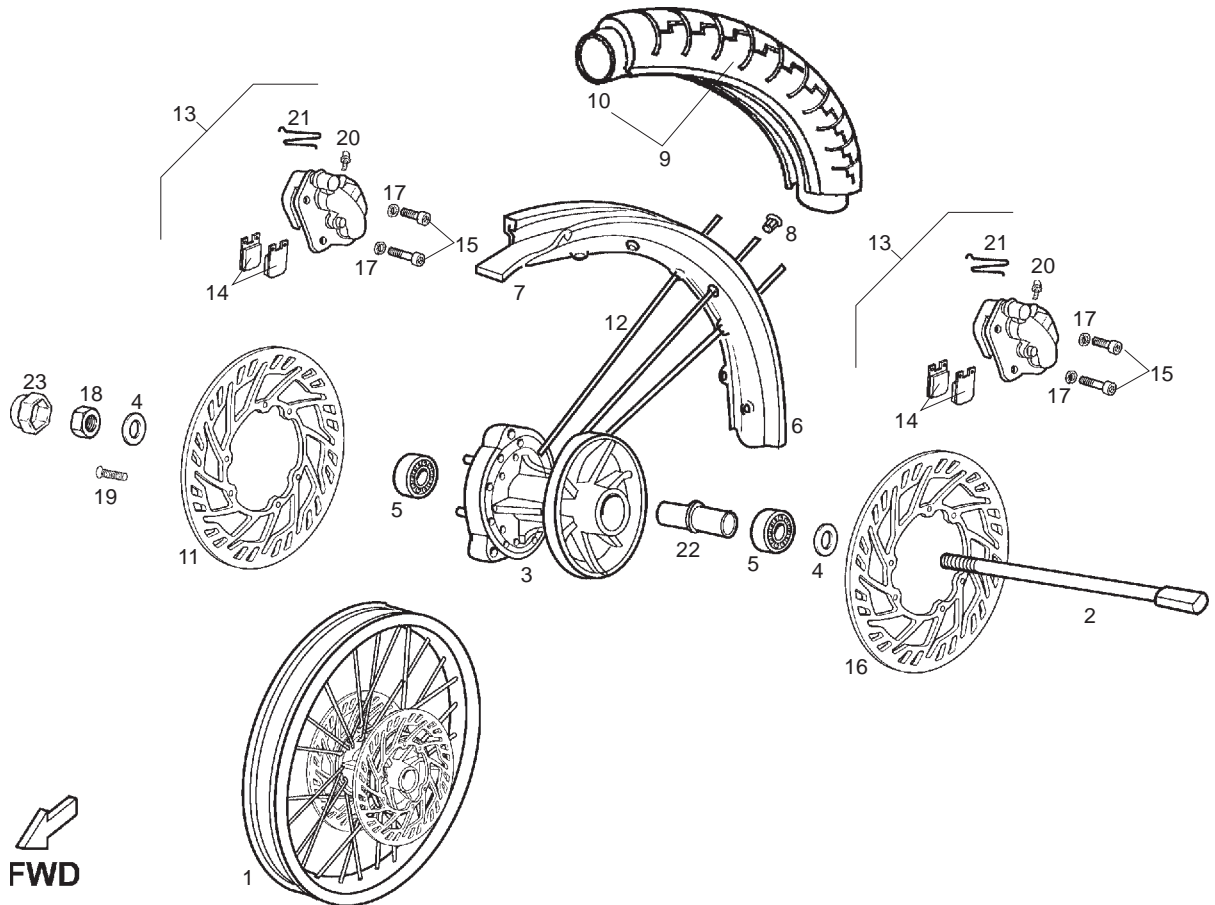
| Fig. | Ver. | COD. KOD.   | DESCRIPCIÓN DENOMINAZIONE NAME   | BEZEICHNUNG DESIGNATION                  | MOD.  | NOTAS NOTES NOTA MITSCHRIFT NOTES |
|------|------|-------------|--|--|-------|-----------------------------------|
| 12A  |      | 00H01009321 | CTO.FARO PILOTO<br>COMPLESSO FANALINO POSTERIORE<br>TAIL LIGHT ASSY      | RUCKLIGHT<br>FEU ARRIERE                 | 1 2 3 |                                   |
| 13A  |      | 00H05700101 | TOPE FARO DT<br>FERMO FARO<br>HEADLIGHT STOP                             | ANSCHLAG SCHEINWERFER<br>BUTEE PHARE     | 1 2 3 |                                   |
| 14A  |      | 00H05701061 | PASACABLE CARCASA FARO<br>PASSACAVI CARC.FARO<br>HEADLIGHT COSING RUBBER | KABELSCHUTZ<br>PASSE-CABLES              | 1 2 3 |                                   |
| 15A  |      | 00H01503741 | SOPORTE CARCASA<br>SUPPORTO CARC.<br>HEADLIGHT CUSING SUPPORT            | HALTERUNG<br>SUPPORT                     | 1 2 3 |                                   |
| 16A  |      | 00012051200 | TORNILLO<br>VITE<br>SCREW  | SCHRAUBE<br>VIS                          | 1 2 3 |                                   |
| 17A  |      | 00000031050 | ARANDELA PLANA MEC.D5<br>RONDELLA<br>WASHER                              | SCHEIBE<br>RONDELLE                      | 1 2 3 |                                   |
| 18A  |      | 00026005000 | TUERCA<br>DADO<br>NUT  | MUTTER<br>ECTROU                         | 1 2 3 |                                   |
| 19A  |      | 00H04605841 | BRIDA FIJ. SUP. CARC. FARO<br>FLANGIA<br>CLAMP                           | BEF.-SCHELLE<br>ENTRETOISE               | 1 2 3 |                                   |
| 20A  |      | 00H04603841 | BRIDA FIJ. INF. CARC. FARO<br>FLANGIA<br>CLAMP                           | BEF.-SCHELLE<br>ENTRETOISE               | 1 2 3 |                                   |
| 21A  |      | 00008915020 | PASACABLE CARCASA FARO<br>PASSACAVI CARC.FARO<br>HEADLIGHT COSING RUBBER | KABELSCHUTZ<br>PASSE-CABLES              | 1 2 3 |                                   |
| 22A  |      | 00D01500471 | CASQUILLO<br>GHIERA<br>BUSHING   | FUHRUNGSBUCHSE GABELSCHENK<br>ENTRETOISE | 1 2 3 |                                   |



| Fig. | Ver. | COD. KOD.   | DESCRIPCIÓN DENOMINAZIONE NAME  | BEZEICHUNG DESIGNATION                                | MOD.  | NOTAS NOTES NOTA MITSCHRIFT NOTES |
|------|------|-------------|---|---|-------|-----------------------------------|
| 23A  |      | 00D01200171 | ARANDELA EJE LEVA-FIJ.CUBRECAD. RONDELLA WASHER                                     | SCHEIBE RONDELLE                                      | 1 2 3 |                                   |
| 24A  |      | 00000023060 | TUERCA AUTOBLOC. 6M125 DADO NUT   | MUTTER ECTROU   | 1 2 3 |                                   |
| 25A  |      | 00H01007841 | REGULADOR AC-DC REGULATORE TENSIONE REGULATOR                                       | SPANNUNGSREGLER REGULATEUR AC/DC                      | 1 2 3 |                                   |
| 26A  |      | 00F05900041 | SCTO. TORNILLO 6M100X16 NG VITE SCREW   | SCHRAUBE VIS  | 1 2 3 |                                   |
| 27A  |      | 00012061200 | TORNILLO C/R.CR.6M100X12.NG VITE SCREW  | SCHRAUBE VIS  | 1 2 3 |                                   |
| 28A  |      | 00D01501371 | TUERCA FIJ.CUBRECAD. DADO NUT   | MUTTER ECTROU   | 1 2 3 |                                   |
| 29A  |      | 00H01005311 | CTO.CLAXON.12V-DC/0450-A.SC/91 CLACSON 12V CC HORN ASSEMBLY                         | HUPE 12V-DC/ D450-A.SC/91 KLAXON COMPLET 12V.DC/0450- | 1 2 3 |                                   |
| 30A  |      | 00H01704311 | CTO.FARO INTERMITENTE DT DR. INDIC. DIREZIONE DESTRO TURN SIGNAL LIGHT REAR RH      | RECHT BLINKER GLIGNOTEURS AR. DROITE                  | 1 2 3 |                                   |
| 31A  |      | 00H01706021 | CTO.FARO INTERMITENTE DT IZQ. INDIC. DIREZIONE SINISTRO TURN SIGNAL LIGHT REAR LEFT | LINKE BLINKER GLIGNOTEURS AR. GAUCHE                  | 1 2 3 |                                   |
| 32A  |      | 00H01701011 | R-LAMPARA INTERMITENTES LAMPADA BULB  | LAMPE TUBE PHARE                                      | 1 2 3 |                                   |
| 33A  |      | 00008061500 | TORNILLO C/RED ALLEN 6M100X16 NG VITE SCREW   | SCHRAUBE VIS  | 1 2 3 |                                   |

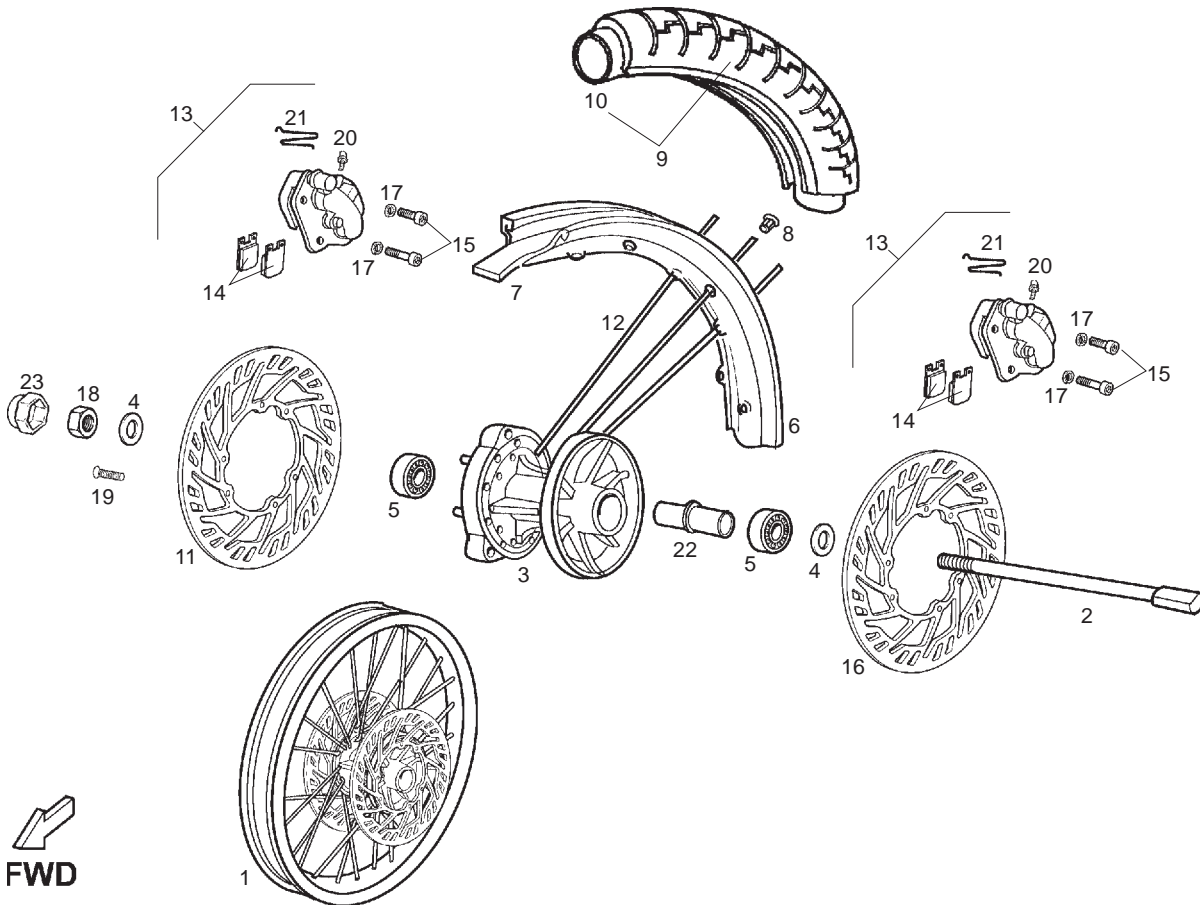


| Fig. | Ver. | COD. KOD.   | DESCRIPCIÓN DENOMINAZIONE NAME   | BEZEICHNUNG DESIGNATION                           | MOD.  | NOTAS NOTES NOTA MITSCHRIFT NOTES |
|------|------|-------------|--|---|-------|-----------------------------------|
| 34A  |      | 00008063000 | TORNILLO C/RED ALLEN 6M100X30 NG<br>VITE<br>SCREW                        | SCHRAUBE<br>VIS                                   | 1 2 3 |                                   |
| 35A  |      | 00031106000 | ARANDELA PLANA D6<br>RONDELLA<br>WASHER                                  | SCHEIBE<br>RONDELLE                               | 1 2 3 |                                   |
| 36A  |      | 00000023060 | TUERCA AUTOROSCANTE 6M100 ZnB<br>DADO<br>NUT                             | MUTTER<br>ECTROU                                  | 1 2 3 |                                   |
| 37A  |      | 00H02300961 | PROTECTOR CONEXIONES<br>PROTEZIONE<br>WIRING HARNESS CONNECTOR           | WIRING HARNESS CONNECTOR<br>PROTECTION CONNEXIONS | 1 2 3 |                                   |
| 38A  |      | 00A00900531 | BRIDA UNECABLES NEGRA.<br>FLANGIA UNIONE CAVI<br>BLACK CABLE TIE         | KABELBINDER<br>COLLIER                            | 1 2 3 |                                   |
| 39A  |      | 00F00900531 | BRIDA NEG.UNECABLES.SCO.BL.NAC<br>FLANGIA UNIONE CAVI<br>BLACK CABLE TIE | KABELBINDER<br>COLLIER                            | 1 2 3 |                                   |
| 40A  |      | 00011061300 | TORNILLO AUTOR. C/CRUZ. 6,3X13<br>VITE<br>SCREW                          | SCHRAUBE<br>VIS                                   | 1 2 3 |                                   |
| 41A  |      | 00H01536321 | CALCA CARCASA FARO<br>ADESIVO PLACCA FRONTALE<br>FORNT PLATE DECAL       | CAUFKLEVER<br>DECAL DE PLAQUE PHARE               | 1 2 3 |                                   |
| 42A  |      | 00H04604111 | CALCA DRD EDITION CARCASA FARO<br>ADESIVO<br>DECAL                       | SCHRIFTZUG<br>ADHESIF                             | 1 2 3 |                                   |



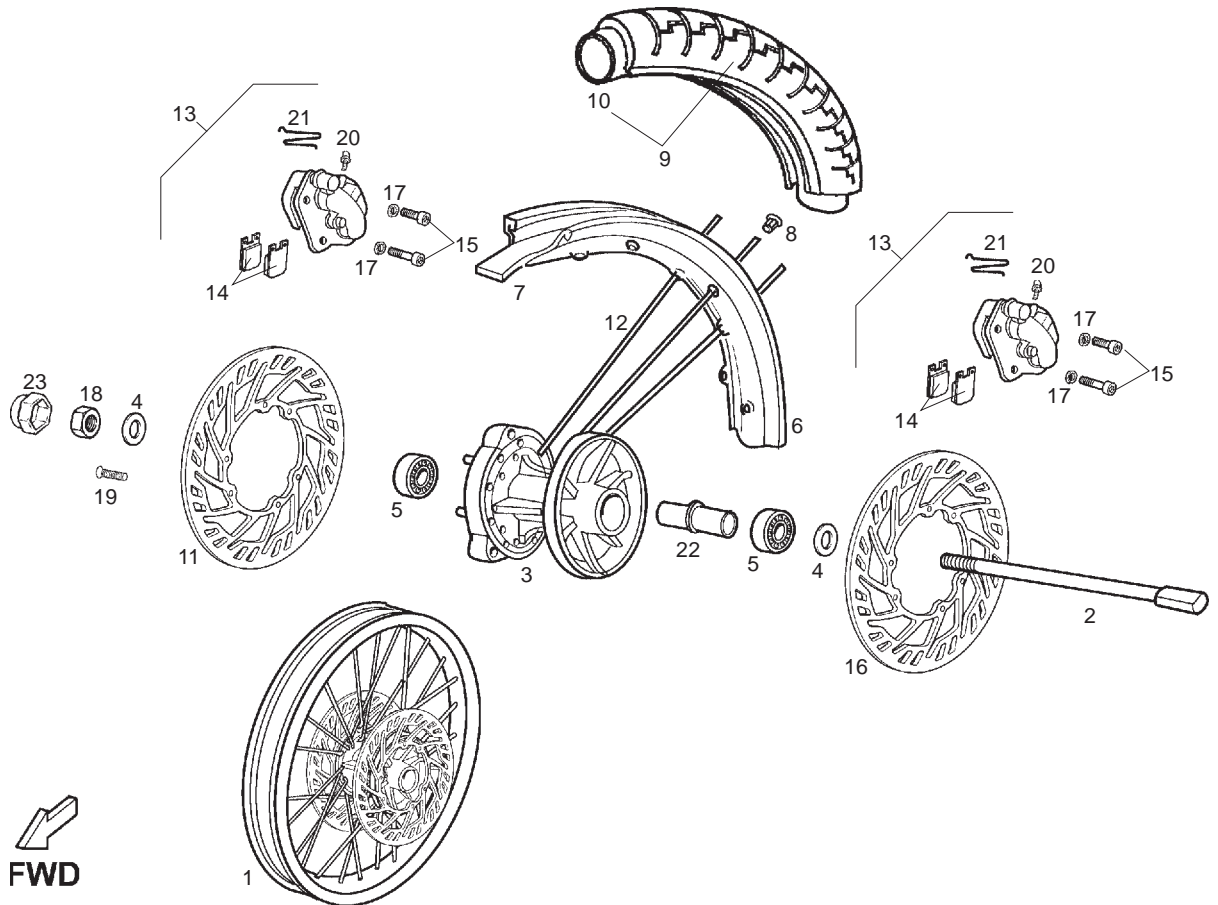
| Fig. | Ver. | COD. KOD.   | DESCRIPCIÓN DENOMINAZIONE NAME   | BEZEICHUNG DESIGNATION                                 | MOD.  | NOTAS NOTES NOTA MITSCHRIFT NOTES |
|------|------|-------------|--|--|-------|-----------------------------------|
| 01A  |      | 00H04726081 | R-CTO RUEDA DT C/DISCOS<br>R-COMPL.RUOTA ANT.C/DISEGNO<br>FRONT WHEEL ASSEMBLY | VORDERRAED<br>ROUE AV.COMPLETE                         | 1 2 3 |                                   |
| 02A  |      | 00H01204271 | EJE RUEDA DT SENDA SM<br>ASSE RUOTA ANTERIORE<br>AXLE FRONT WHEEL              | VORDERRADADCHSE<br>AXE DE ROUE AV.                     | 1 2 3 |                                   |
| 03A  |      | 00H01206712 | CTO CARRETE DT SENDA SM NEGRO<br>MOZZO ANT.<br>FRONT HUB ASSY                  | RADNABE<br>MOYEU                                       | 1 2 3 |                                   |
| 04A  |      | 00032015000 | ARANDELA PLANA.D.15.<br>RONDELLA<br>WASHER                                     | SCHEIBE<br>RONDELLE                                    | 1 2 3 |                                   |
| 05A  |      | 00000056202 | COJINETE.15.35.11./6202.SKF.<br>CUSCINETTO 15.35.11 6202 SKF<br>BEARING        | LAGER 15.35.11 6202 SKF<br>ROULEMENT 15.35.11 6202 SKF | 1 2 3 |                                   |
| 06A  |      | 00H01211082 | LLANTA RDA.DT.<br>CERCHIONE RUOTA ANT.<br>FRONT WHEEL RIM                      | VORDERRADFELGE<br>JANTE AV.                            | 1 2 3 |                                   |
| 07A  |      | 00D01301401 | PROTECT.CAMARA RDA.DTRA.21".SV<br>PROTEETTORE CAMERA RUOTA ANT.21<br>RIM STRIP | FELGELBAND<br>PROTECTEUR DE CHAMBRE A AIR              | 1 2 3 |                                   |
| 08A  |      | 00002212070 | TUERCA RAD 10.<br>DADO<br>NUT  | MUTTER<br>ECTROU                                       | 1 2 3 |                                   |
| 09A  |      | 00H01218111 | CTO CUBIERTA DT 100/80X17 C/CAMARA<br>COPERTORE ANT.<br>FRONT CASING           | REIFEN BORN<br>PNEU AV.                                | 1 2 3 |                                   |
| 10A  |      | 00H01207101 | CAMARA<br>CAMERA D'ARIA<br>FRONT TUBE  | SCHLAUCH VORNE<br>CHAMBRE A AIR                        | 1 2 3 |                                   |



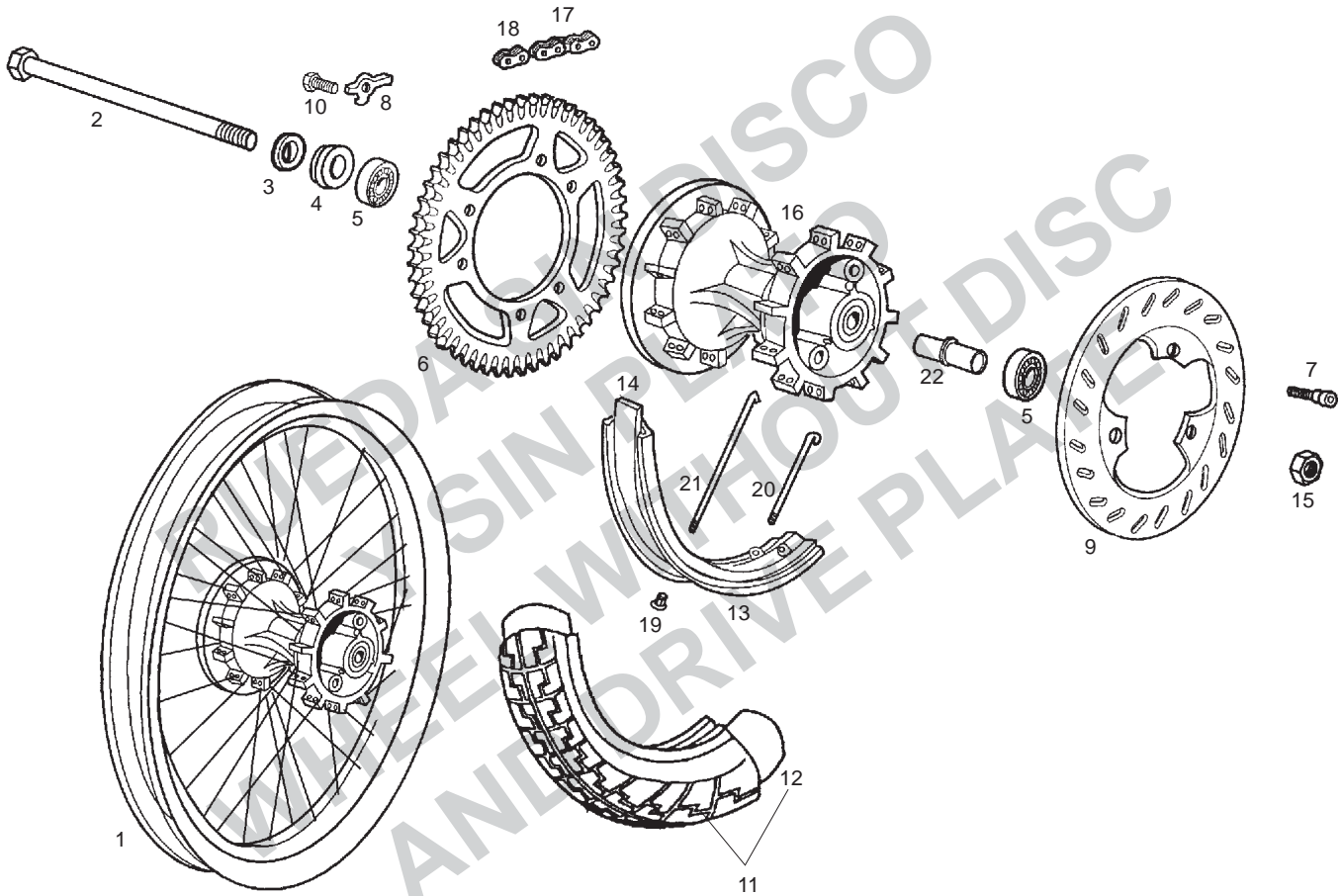


| Fig. | Ver. | COD. KOD.   | DESCRIPCIÓN DENOMINAZIONE NAME   | BEZEICHNUNG DESIGNATION                      | MOD.  | NOTAS NOTES NOTA MITSCHRIFT NOTES |
|------|------|-------------|--|--|-------|-----------------------------------|
| 11A  |      | 00H01200701 | DISCO FRENO DT DERECHO<br>DISCO FRENO ANTERIORE<br>FRONT R, BRAKE DISC                     | SCHEIBE NBREMSE VORN<br>DISQUE FREIN AVANT   | 1 2 3 |                                   |
| 12A  |      | 00H01303691 | RADIO RUEDA DT.DR.<br>RAGGIO RUOTA ANT.<br>WHEEL ARM.                                      | SPEICHE<br>RAYON DE ROUE                     | 1 2 3 |                                   |
| 13A  |      | 00H01215191 | R-CTO PINZA FRENO DEL, GRIS<br>COMPLESSO GANASCIA FRENO ANTER<br>LEFT-HAND FRONT CLIP ASSY | BREMSZANGE<br>ENS.ETRIER DE FREIN            | 1 2 3 |                                   |
| 14A  |      | 00G04700141 | R-JUEGO PASTILLAS DE FRENO<br>PASTIGLIE FRENO POSTERIORE FDS<br>FRONT BRAKE PAD            | BREMSBELAG VORNE<br>PLAQUETTE DE FREIN       | 1 2 3 |                                   |
| 15A  |      | 00000004835 | TORNILLO C/ALLEN 8M125X35 ZnB<br>VITE<br>SCREW   | SCHRAUBE<br>VIS                              | 1 2 3 |                                   |
| 16A  |      | 00H01212021 | DISCO FRENO DT IZQUIERDO<br>DISCO FRENO ANTERIORE<br>FRONT L. BRAKE DISC                   | SCHEIBE NBREMSE VORN<br>DISQUE FREIN AVANT   | 1 2 3 |                                   |
| 17A  |      | 00034000802 | ARANDELA ESTRELL. INT. DB.<br>RONDELLA<br>WASHER   | SCHEIBE<br>RONDELLE                          | 1 2 3 |                                   |
| 18A  |      | 00H00300672 | TUERCA CAB.EJE BASCTE.<br>DADO<br>NUT  | MUTTER<br>ECTROU                             | 1 2 3 |                                   |
| 19A  |      | 00H02403281 | TORNILLO FIJ.DISCO<br>VITE<br>SCREW  | SCHRAUBE<br>VIS                              | 1 2 3 |                                   |
| 20A  |      | 00H04702121 | R-CTO RACORD CON PURGADOR<br>R-COMPLESSO SPURGO GANASCIA FR<br>FRONT BRAKE BLEED CLIP ASSY | ABLASSHAHN<br>R-ENS.PURGEUR PINCE FREIN AV.F | 1 2 3 |                                   |

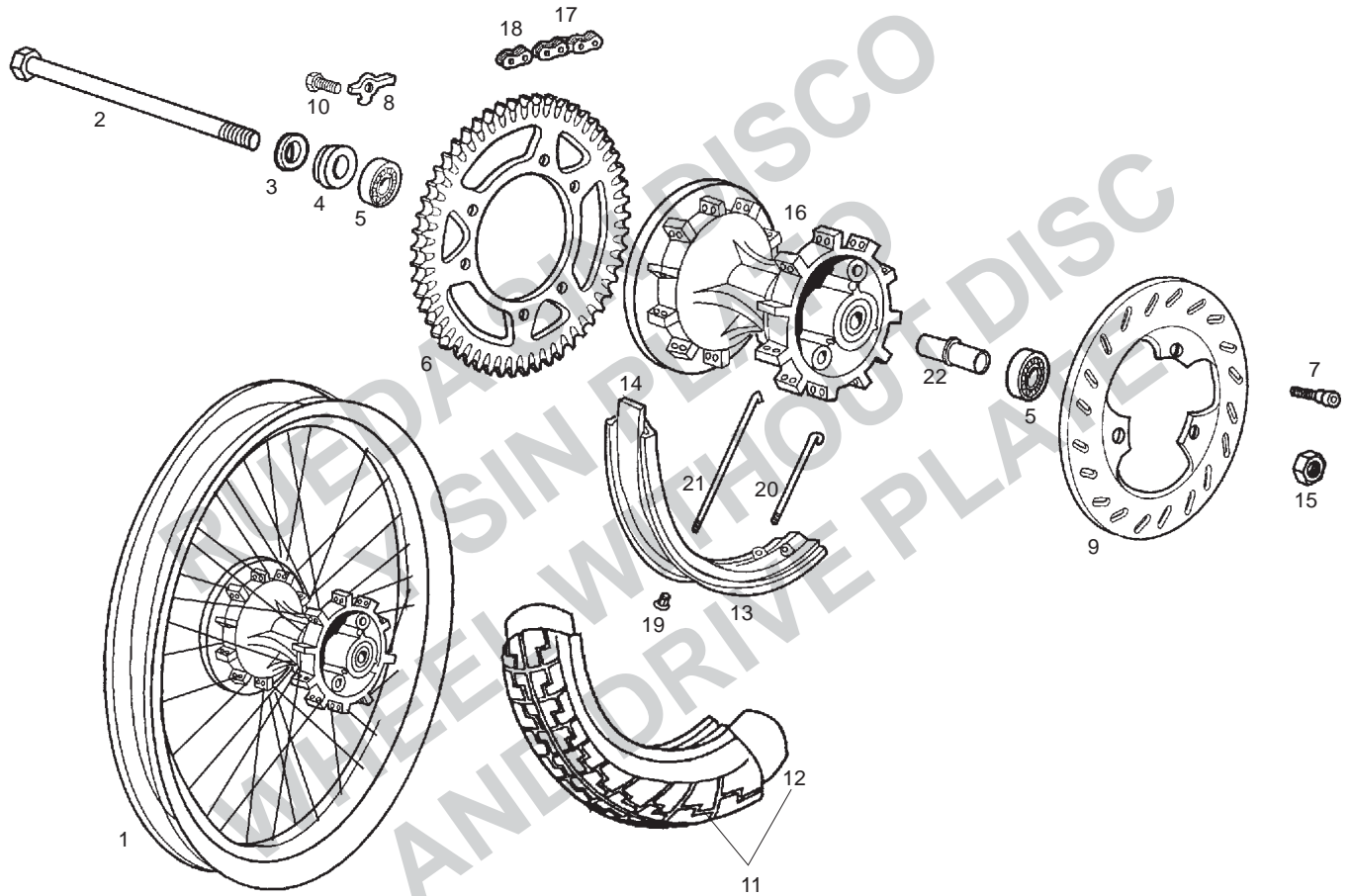




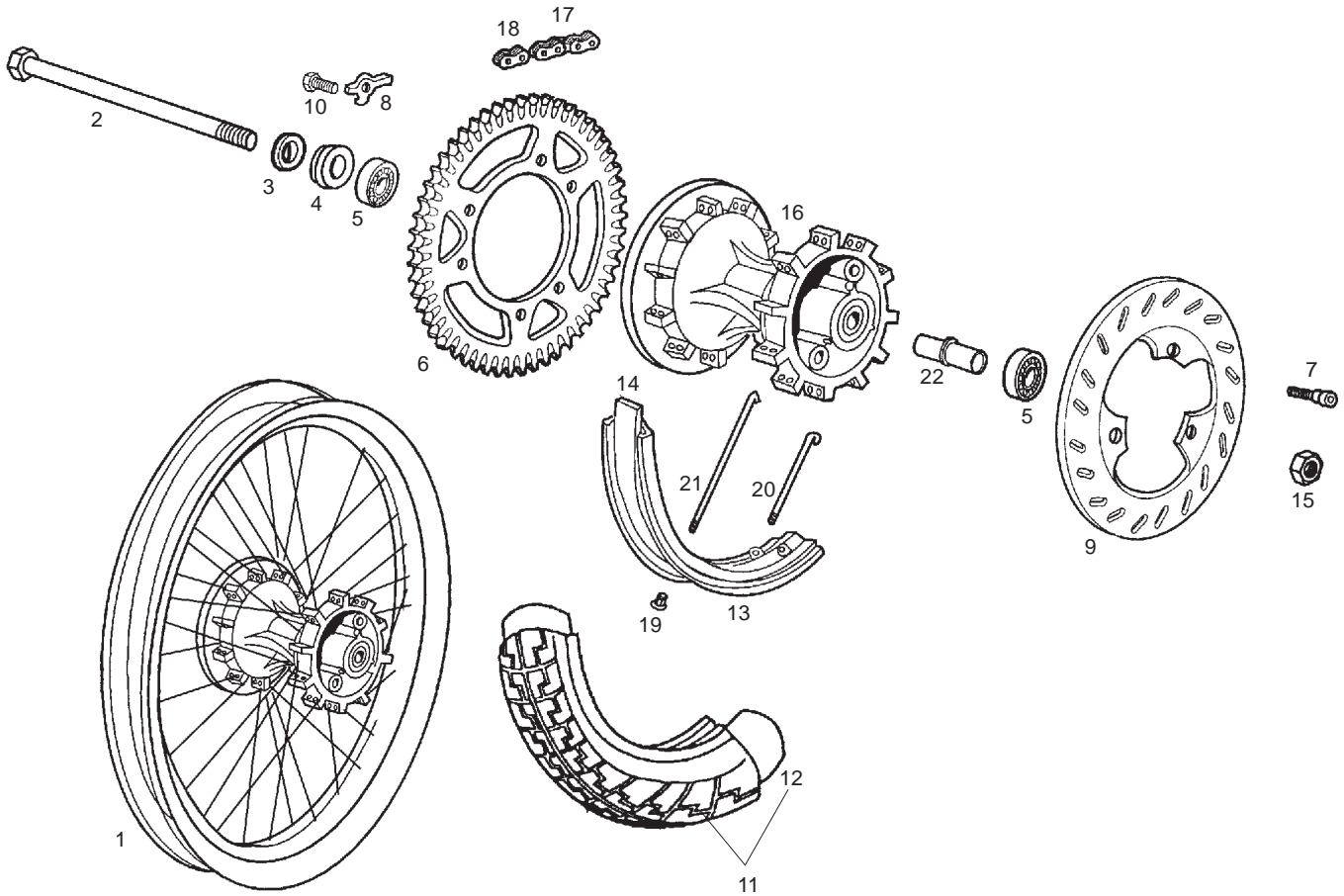
| Fig. | Ver. | COD. KOD.   | DESCRIPCIÓN DENOMINAZIONE NAME                                      | BEZEICHNUNG DESIGNATION                   | MOD.  | NOTAS NOTES NOTA MITSCHRIFT NOTES |
|------|------|-------------|---|---|-------|-----------------------------------|
| 21A  |      | 00H04701171 | MUELLE FIJACION PASTILLAS<br>MOLLA<br>SPRING                        | FEDER<br>RESSORT                          | 1 2 3 |                                   |
| 22A  |      | 00H01203031 | SCTO.SEPARADOR COJINETES<br>SEPARATORE CUSCINETTI<br>SPACER BEARING | DISTANZHULSE<br>SEP. ROULEMENTS MOYEU AR. | 1 2 3 |                                   |
| 23A  |      | 00H01201331 | PROTECTOR TUERCA<br>PROTEZIONE<br>PROTECTOR                         | ABDECKUNG<br>PROTECTEUR                   | 1 2 3 |                                   |



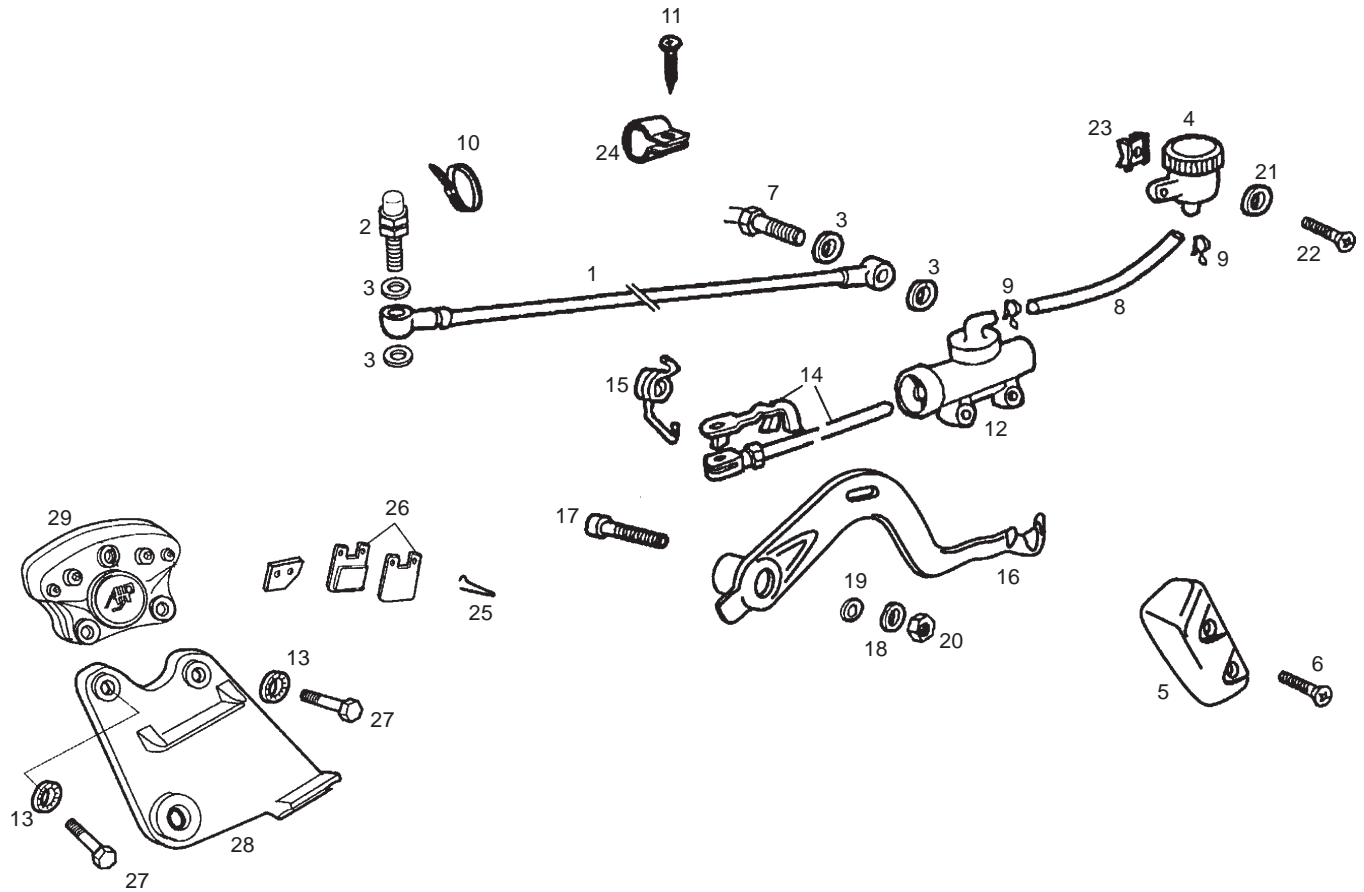
| Fig. | Ver. | COD. KOD.   | DESCRIPCIÓN DENOMINAZIONE NAME  | BEZEICHNUNG DESIGNATION                                   | MOD.  | NOTAS NOTES NOTA MITSCHRIFT NOTES |
|------|------|-------------|---|---|-------|-----------------------------------|
| 01A  |      | 00H02409331 | R-CTO. LLANTA TRAS. C/CARRETE SM<br>COMP. RUOTA POST.<br>REAR WHEEL ASSEMBLY              | HINTERRAD<br>ROUE ARRIERE COMPLETE                        | 1 2 3 |                                   |
| 02A  |      | 00H01303201 | CTO.EJE RDA.TR.<br>SUBCOMPLESSO ASSE RUOTA POSTER<br>REAR WHEEL AXLE SUB-ASSE.            | U-GRUPPE HINTERRADACHSE<br>S/ENSEMBLE AXE ROUE ARRIERE GP | 1 2 3 |                                   |
| 03A  |      | 00032015000 | ARANDELA PLANA.D.15<br>RONDELLA<br>WASHER   | SCHEIBE<br>RONDELLE                                       | 1 2 3 |                                   |
| 04A  |      | 00H01306181 | CASQ.LADO PLATO '98<br>GHIERA LATO PIATTO<br>SPACER                                       | DISTANZHULSE<br>ENTRETOISE                                | 1 2 3 |                                   |
| 05A  |      | 00000056202 | COJINETE.15.35.11./6202.SKF.<br>CUSCINETTO 15.35.11/6202 SKF<br>BEARING 15.35.11/6202 SKF | LAGER 15.35.11/6202 SKF<br>PALIER 15.35.11/6202 SKF       | 1 2 3 |                                   |
| 06A  |      | 00H01331031 | PLATO ARRASTRE Z-53<br>PIATTO TRAINO Z-53<br>DRIVE PLATE Z-53                             | MITNEHMERSCHEIBE Z-53<br>COURONNE ARRIERE Z-53            | 1 2   |                                   |
| 06B  |      | 00H01325031 | PLATO ARRASTRE Z-65<br>PIATTO TRAINO Z-65<br>DRIVE PLATE Z-65                             | MITNEHMERSCHEIBE Z-65<br>COURONNE ARRIERE Z-65            | 3     |                                   |
| 07A  |      | 00H02401282 | TORNILLO FIJACION DISCO FR.TR<br>VITE<br>SCREW  | SCHRAUBE<br>VIS   | 1 2 3 |                                   |
| 08A  |      | 00H01302052 | PREC.TOR.PLATO ARRAST.<br>PIASTRINA VITE PIATTO TRASCINA<br>BRAKE DISC RETAINER           | SCHRAUBE MITNEHMERSCHEIBE<br>ARRETOIR DES BOULONS DISQUE  | 1 2 3 |                                   |
| 09A  |      | 00H01304531 | DISCO FRENO TRASERO<br>DISCO FRENO POSTERIORE<br>REAR BRAKE DISC                          | BREMSSCHEIBE HINTEN<br>DISQUE DE FREIN ARRIERE            | 1 2 3 |                                   |
| 10A  |      | 00000002830 | TORNILLO C/EXAG 8M125X30<br>VITE<br>SCREW   | SCHRAUBE<br>VIS   | 1 2 3 |                                   |



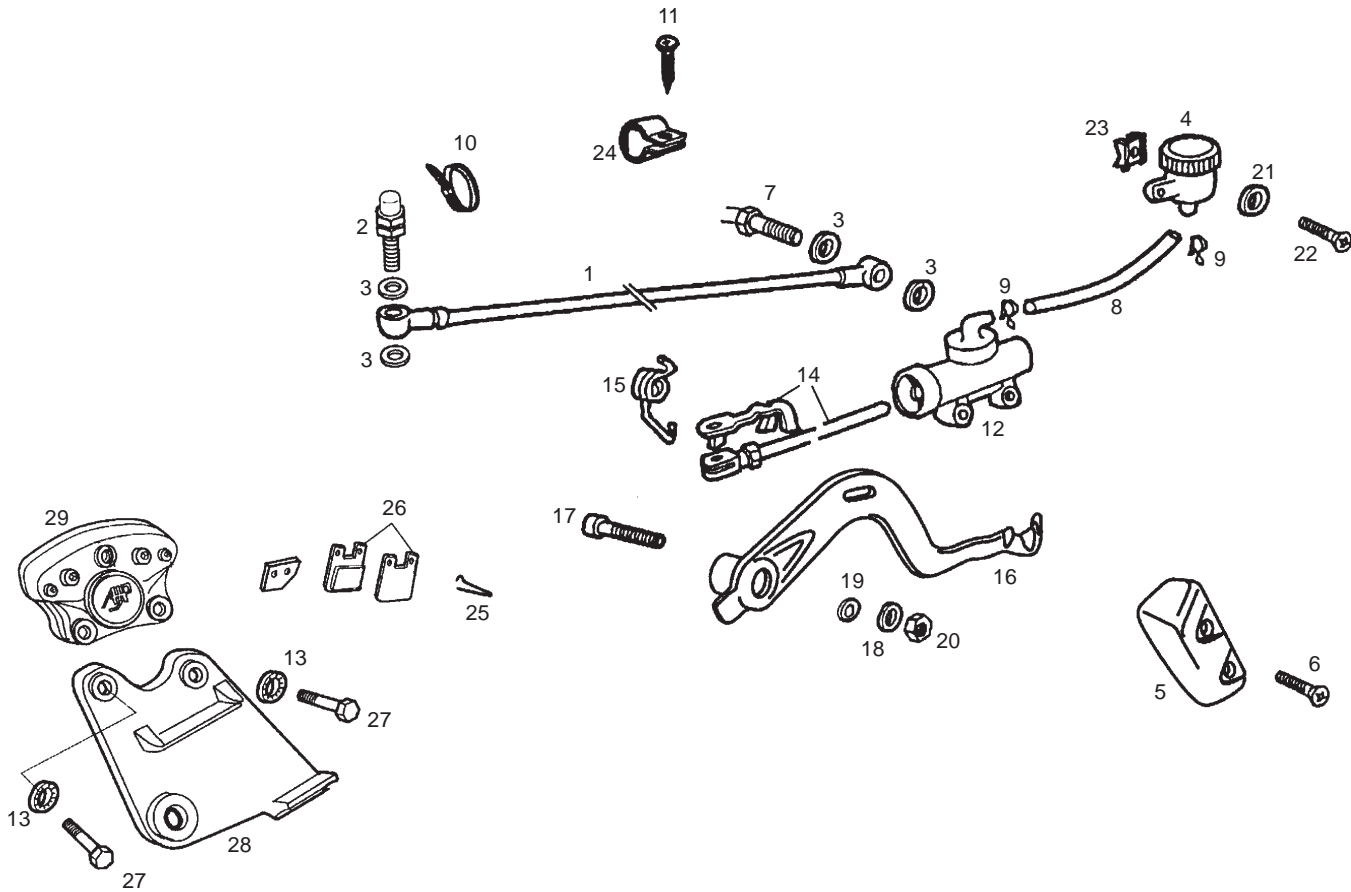
| Fig. | Ver. | COD. KOD.   | DESCRIPCIÓN DENOMINAZIONE NAME  | BEZEICHUNG DESIGNATION                 | MOD.  | NOTAS NOTES NOTA MITSCHRIFT NOTES |
|------|------|-------------|---|--|-------|-----------------------------------|
| 11A  |      | 00H01315321 | CTO CUBIERTA TR 130/70-17 C/CAMARA COPERTONE POST. REAR CASING          | REIFEB HINTEN PNEU ARR.                | 1 2 3 |                                   |
| 12A  |      | 00H01309361 | CAMARA CAMERA RUOTA POST. REAR WHEEL CAMBER                             | SCHLAUCH CHAMRE A AIR ARR.             | 1 2 3 |                                   |
| 13A  |      | 00H01306353 | LLANTA TRAS. CERCHIONE POSTERIORE 2,15X18" MAGWHEEL REAR                | HINTERRADFELGE JANTE ARRIERE NUE.      | 1 2 3 |                                   |
| 14A  |      | 00D01303401 | PROTECTOR CAMARA PROTEZIONE CAMERA RUOTA POSTER RIM STRIP               | FELGENBAND PROTECTEUR DE CHAMBRE A AIR | 1 2 3 |                                   |
| 15A  |      | 00H00300672 | TUERCA CAB. EJE BASCTE. DADO NUT  | MUTTER ECTROU                          | 1 2 3 |                                   |
| 16A  |      | 00H01306823 | CTO CARRETE TRASERO NEGRO MOZZO POST. REAR COIL                         | RADNABE MOYEU ARRIERE                  | 1 2 3 |                                   |
| 17A  |      | 00H01502201 | CADENA SECUNDARIA 130P CATENA SEZ. 130 TRANSMISSION CHAIN 130           | KETTE 130 CHAINE TRANSMISSION 130      | 1 2   |                                   |
| 17B  |      | 00H01506201 | CADENA SECUNDARIA 136P CATENA SEZ. 136 TRANSMISSION CHAIN 136           | KETTE 136 CHAINE TRANSMISSION 136      | 3     |                                   |
| 18A  |      | 00H01501212 | R-ENGANCHE DORAD.CADENA SEC. AGGANCIAMENTO CATENA SICUREZZA MASTER LINK | KETTENSCHLOSS ATTACHE RAPIDE           | 1 2 3 |                                   |
| 19A  |      | 00002212070 | TUERCA RADIO. DADO NUT  | MUTTER ECTROU                          | 1 2 3 |                                   |
| 20A  |      | 00H01303691 | RADIO TRASERO LADO DISCO SPEICHE REAR SHORT INNER SPOKE                 | SPEICHE RAYON ROUE AR INT.COURT        | 1 2 3 |                                   |



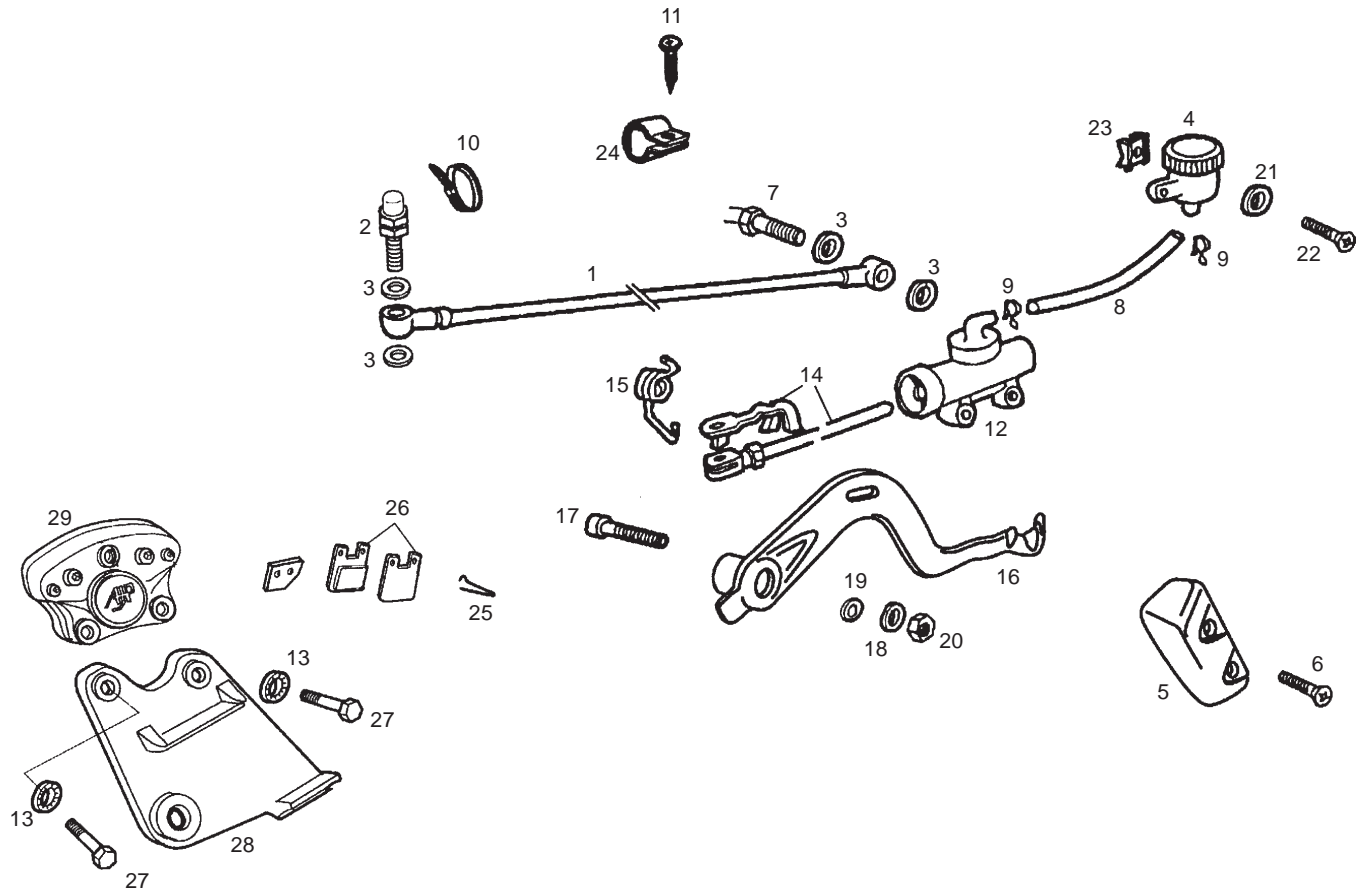
| Fig. | Ver. | COD. KOD.   | DESCRIPCIÓN DENOMINAZIONE NAME  | BEZEICHNUNG DESIGNATION               | MOD.  | NOTAS NOTES NOTA MITSCHRIFT NOTES |
|------|------|-------------|---|---------------------------------------|-------|-----------------------------------|
| 21A  |      | 00H01301731 | RADIO TRASERO LADO PLATO<br>RADIO POST.LATO PIATTO<br>REAR INNER SPOKE      | SPEICHE<br>RAYON ROUE ARRIERE INT.    | 1 2 3 |                                   |
| 22A  |      | 00H01303091 | SCTO.SEPARADOR COJINETES<br>SUBCOMPLESO SEPARATORE CUSCIN<br>BEARING SPACER | DISTANZHULSE<br>SEPARATEUR ROULEMENTS | 1 2 3 |                                   |



| Fig. | Ver. | COD. KOD.   | DESCRIPCIÓN DENOMINAZIONE NAME   | BEZEICHUNG DESIGNATION                                | MOD.  | NOTAS NOTES NOTA MITSCHRIFT NOTES |
|------|------|-------------|--|---|-------|-----------------------------------|
| 01A  |      | 00H01111081 | TUBO LIQUIDO FRENO TRASERO<br>TUBO LIQUIDO FRENO<br>BRAKE ROD                    | BREMSSCHLAUCH<br>TIGE DE FREIN                        | 1 2 3 |                                   |
| 02A  |      | 00H04702121 | R-CTO RACORD CON PURGADOR<br>RACCORDO TUBO IDRAULICO<br>HYDRAULIC TUBE CONNECTOR | STUTZEN HIDRAULIKLEITUNG<br>RACCORD TUYAU HYDRAULIQUE | 1 2 3 |                                   |
| 03A  |      | 00006321040 | ARANDELA JUNTA RACORD<br>RONDELLA<br>WASHER                                      | SCHEIBE<br>RONDELLE                                   | 1 2 3 |                                   |
| 04A  |      | 00D01100201 | CTO. DPSTO. LIQ. FRENO TRAS.<br>SERBATOIO LIQUIDO FR<br>FLUID TUBE TANK          | BEHALTER<br>RESERVOIR FLUID TUBE                      | 1 2 3 |                                   |
| 05A  |      | 00H01101731 | PROTECT.BOMBA.LIQ.FR.TR.<br>PROTEZIONE FRENO POSTERIORE<br>REAR BRAKE, PROTECTOR | ABDECKUNG<br>PROTECTEUR ENS.COMMANDE FRE              | 1 2 3 |                                   |
| 06A  |      | 00G01503701 | TORNILLO FIJ.ESC.FRONTAL<br>VITE<br>SCREW  | SCHRAUBE<br>VIS                                       | 1 2 3 |                                   |
| 07A  |      | 00H01001701 | CTO. INTERRUPTOR STOP<br>COMP.INTERUTTORE FANALINO<br>SWITCH, STOP LIGHT         | STOPCHALTER VO.<br>INTERRUPTEUR COMMANDE STOP         | 1 2 3 |                                   |
| 08A  |      | 00H01103211 | TUBO DEPOSITO A BOMBA<br>TUBO SERBATOIO A POMPA FRENO P<br>REAR FLUID TUBE       | SCHLAUCH<br>FLEXIBLE DE FREIN ARRIERE                 | 1 2 3 |                                   |
| 09A  |      | 00H03700131 | ABRAZ. ELAST. 818-913<br>RONDELLA STELLA INTERIORE<br>ELASTIC CLAMP              | SCHELLE ELAST.<br>COLLIER ELASTIQUE                   | 1 2 3 |                                   |
| 10A  |      | 00F00900531 | BRIDA UNE CABLES NEGRA<br>FLANGIA UNIONE CAVI<br>BLACK CABLE TIE                 | KABELBINDER<br>COLLIER                                | 1 2 3 |                                   |
| 11A  |      | 00011041300 | TORNILLO AUT.C/CR.NG.4,8X13<br>VITE<br>SCREW                                     | SCHRAUBE<br>VIS                                       | 1 2 3 |                                   |

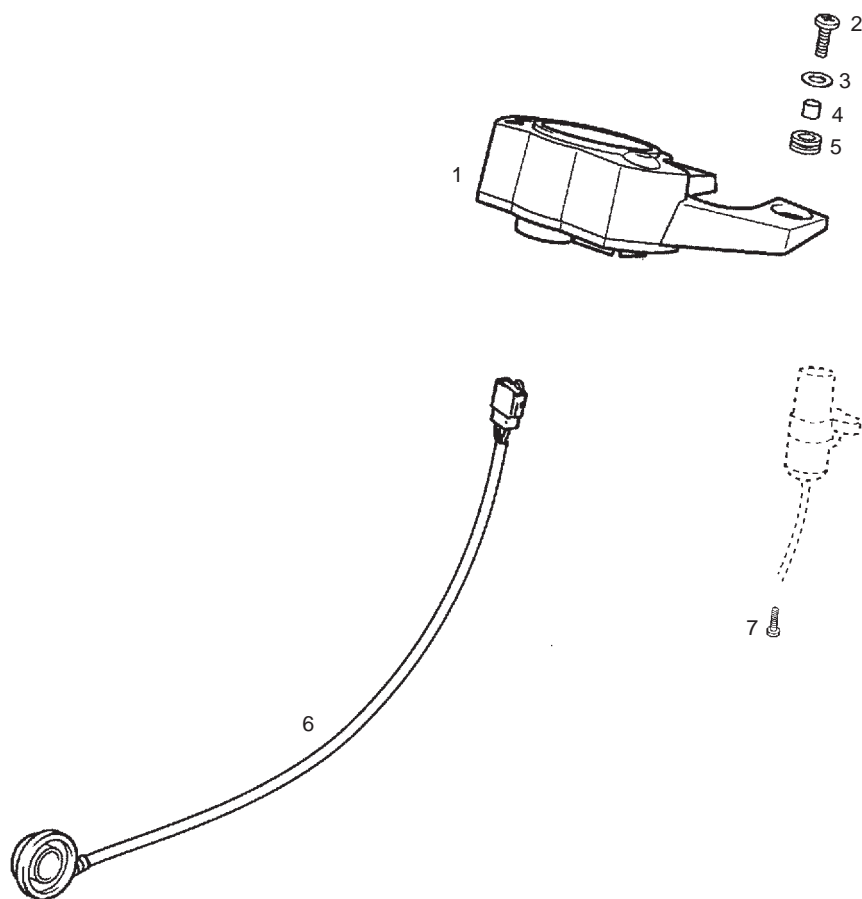


| Fig. | Ver. | COD. KOD.   | DESCRIPCIÓN DENOMINAZIONE NAME  | BEZEICHNUNG DESIGNATION                                    | MOD.  | NOTAS NOTES NOTA MITSCHRIFT NOTES |
|------|------|-------------|---|--|-------|-----------------------------------|
| 12A  |      | 00H01106181 | R-CTO.BOMBA FRENO TRASERO DRD<br>FRENO POSTERIORE<br>REAR BRAKE CONTROL ASSY  | REAR BRAKE CONTROL ASSY.<br>ENSEMBLE COMMANDE FREIN ARRIER | 1 2 3 |                                   |
| 13A  |      | 00034000802 | ARANDELA ESTRELLA INT D8<br>RONDELLA<br>WASHER                                | SCHEIBE<br>RONDELLE  | 1 2 3 |                                   |
| 14A  |      | 00H01103611 | CTO.VARILLA BOMBA FR.TR.<br>COMP.ASTA POMPA FRENO<br>REAR BRAKE ROD           | BREMSSTANGE<br>TIGE DE FREIN ARRIERE                       | 1 2 3 |                                   |
| 15A  |      | 00H01102072 | MUELLE PEDAL FR. TRAS.<br>MOLLA PEDALE FRENO POSTERIORE<br>SPRING PEDAL BRAKE | FEDER<br>RESSORT PEDALE FREIN                              | 1 2 3 |                                   |
| 16A  |      | 00H01120021 | PALANCA FRENO<br>PEDALE FRENO<br>BRAKE PEDAL                                  | FUSSBREMSHEBEL<br>PEDALE DE FREIN AR.                      | 1 2 3 |                                   |
| 17A  |      | 00H01100172 | TORN. FIJ. PALANCA FR. TRAS.<br>VITE PEDALE FRENO<br>BRAKE PEDAL BRAKE        | INBUSSCHRAUBE FUSSBREMSHEBEL<br>BOULON PEDALE DE FREIN     | 1 2 3 |                                   |
| 18A  |      | 00402080001 | ARANDELA PLANA MECANIZ.D.8<br>RONDELLA<br>WASHER                              | SCHEIBE<br>RONDELLE  | 1 2 3 |                                   |
| 19A  |      | 00005527540 | ARANDELA REG.TOR.PAL.FIJ.MARCH<br>RONDELLA<br>WASHER                          | SCHEIBE<br>RONDELLE  | 1 2 3 |                                   |
| 20A  |      | 00023108000 | TUERCA AUTOBLOC. 8M125<br>DADO<br>NUT   | MUTTER<br>ECTROU   | 1 2 3 |                                   |
| 21A  |      | 00D02600631 | ARANDELA TOPE MUELLE EMBRAGUE<br>RONDELLA<br>WASHER                           | SCHEIBE<br>RONDELLE  | 1 2 3 |                                   |
| 22A  |      | 00012151500 | TORNILLO C/RED.ALL.5M100X16<br>VITE<br>SCREW                                  | SCHRAUBE<br>VIS  | 1 2 3 |                                   |

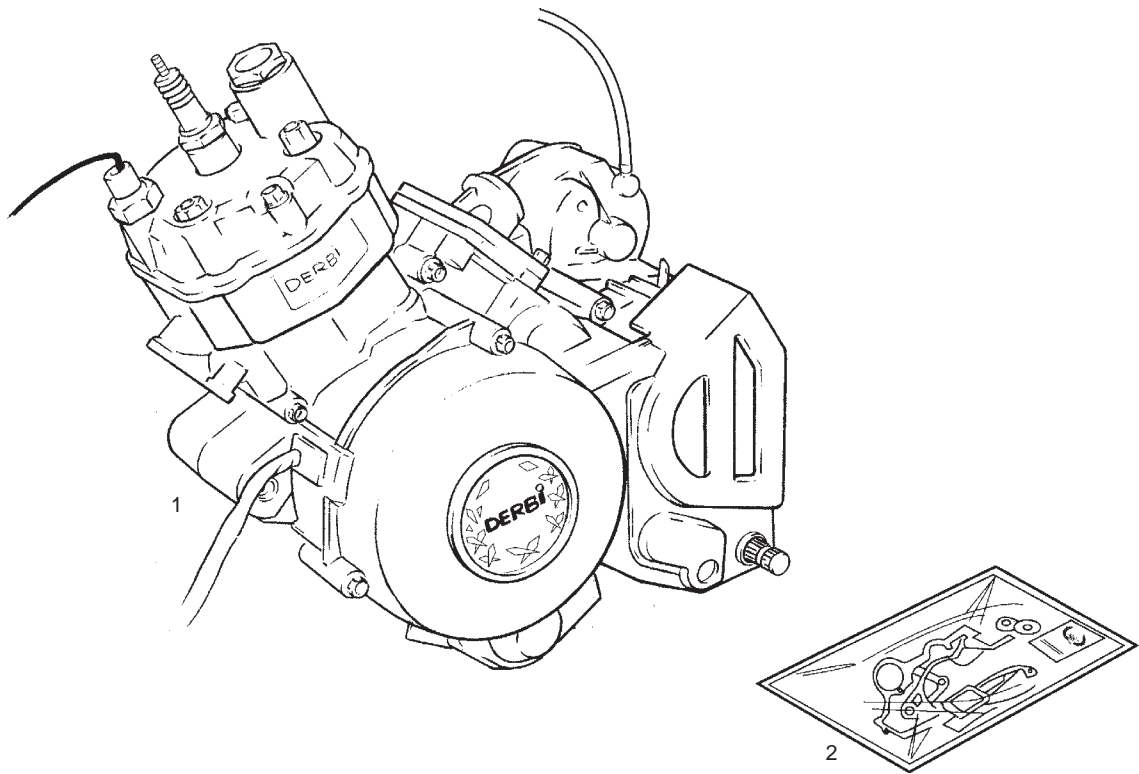


| Fig. | Ver. | COD. KOD.   | DESCRIPCIÓN DENOMINAZIONE NAME   | BEZEICHNUNG DESIGNATION                                      | MOD.  | NOTAS NOTES NOTA MITSCHRIFT NOTES |
|------|------|-------------|--|--|-------|-----------------------------------|
| 23A  |      | 00G04401462 | TUERCA FIJ.CUBRECAD.212827<br>DADO<br>NUT  | MUTTER<br>ECTROU   | 1 2 3 |                                   |
| 24A  |      | 00H01501811 | BRIDA FIJ.CABLE FR.TR.<br>FLANGIA<br>CLAMP   | BEF.-SCHELLE<br>ENTRETOISE                                   | 1 2 3 |                                   |
| 25A  |      | 00H04701171 | MUELLE FIJACION PASTILLAS<br>MOLLA<br>SPRING   | FEDER<br>RESSORT   | 1 2 3 |                                   |
| 26A  |      | 00G04700141 | R- JUEGO PAST. FR. DT. BS-S-40-GF<br>PASTIGLIE FRENO POSTERIORE FDS<br>FRONT BRAKE PAD       | BREMSBELAG VORNE<br>PLAQUETTE DE FREIN                       | 1 2 3 |                                   |
| 27A  |      | 00002083001 | TORNILLO 8M125X30 ZnB<br>VITE<br>SCREW   | SCHRAUBE<br>VIS  | 1 2 3 |                                   |
| 28A  |      | 00H01303521 | SCTO.SOPTE.PINZA FR. TR.<br>SUBCOMPLESSO SUPPORTO GANASCIA<br>REAR BRAKE CALIPER BRACKET SUB | U-GRUPPE HINTERBREMSBACKEN<br>S/ENSEMBLE SUPPORT PINCE FREIN | 1 2 3 |                                   |
| 29A  |      | 00H01110581 | R-CTO PINZA FRENO TRASERO GRIS<br>COMPLESSO GANASCI A POSTERIORE<br>REAR CLIP ASSEMBLY       | BREMSZANGE HINTEN<br>ETRIER FREIN ARR.                       | 1 2 3 |                                   |





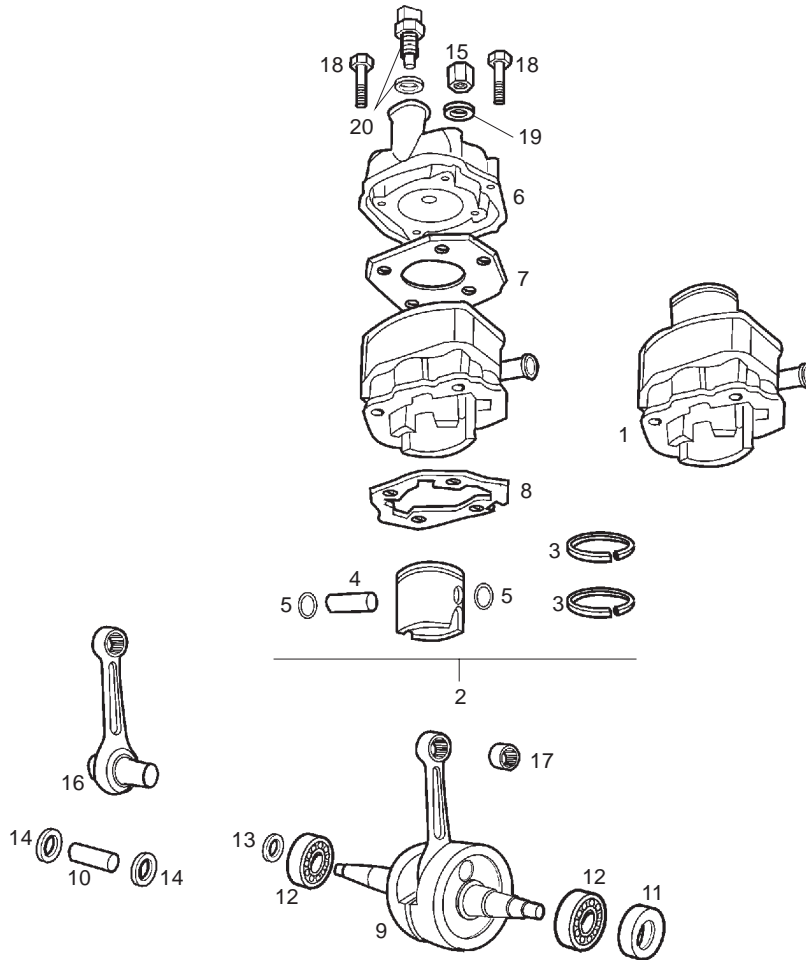
| Fig. | Ver. | COD. KOD.   | DESCRIPCIÓN<br>DENOMINAZIONE<br>NAME  | BEZEICHNUNG<br>DESIGNATION                               | MOD.  | NOTAS<br>NOTES<br>NOTA<br>MITSCHRIFT<br>NOTES |
|------|------|-------------|---|--|-------|---|
| 01A  |      | 00H01630521 | CTO. TABLIER SM DRD EDITION<br>CRUSCOTTO (KM/H)<br>DASH ASSY (KM/H)         | INSTRUMENTERHALTER (KM/H)<br>BOITIER TABLEAU BORD (KM/H) | 1 2 3 |   |
| 01B  |      | 00H01635521 | CTO. TABLIER SM DRD EDITION UK<br>CRUSCOTTO (M/H)<br>DASH ASSY (M/H)        | INSTRUMENTERHALTER (M/H)<br>BOITIER TABLEAU BORD (M/H)   | 1     | ENGLAND                                       |
| 02A  |      | 00012152000 | TORNILLO C/RED.CRUZ 5M80X20<br>VITE<br>SCREW                                | SCHRAUBE<br>VIS  | 1 2 3 |   |
| 03A  |      | 00000031050 | ARANDELA PLANA MEC.D5<br>RONDELLA<br>WASHER                                 | SCHEIBE<br>RONDELLE                                      | 1 2 3 |   |
| 04A  |      | 00H01600911 | CASQ. SILENTBLOC FIJ. TABLIER<br>GHIERA SILENT.FISS.CRUSCOT.FE<br>BUSHING   | FUHRUNGSBUCHSE GABELSCHENK<br>ENTRETOISE                 | 1 2 3 |   |
| 05A  |      | 00D01500021 | PASACABL. INST.GUARD.TR.FDS/89<br>PORTACAVI IST. FARAFANGO POST.<br>GROMMET | GUMMI<br>CAOUTCHOUC PASSE-CABLE                          | 1 2 3 |   |
| 06A  |      | 00H01615051 | CTO.REENVIO<br>RINVIO<br>RETURN UNIT.                                       | RETURN UNIT.<br>RENOI DE ROUE                            | 1 2 3 |   |
| 07A  |      | 00002082021 | TORNILLO 8M125X20 Zn.B<br>VITE<br>SCREW                                     | SCHRAUBE<br>VIS  | 1 2 3 |   |



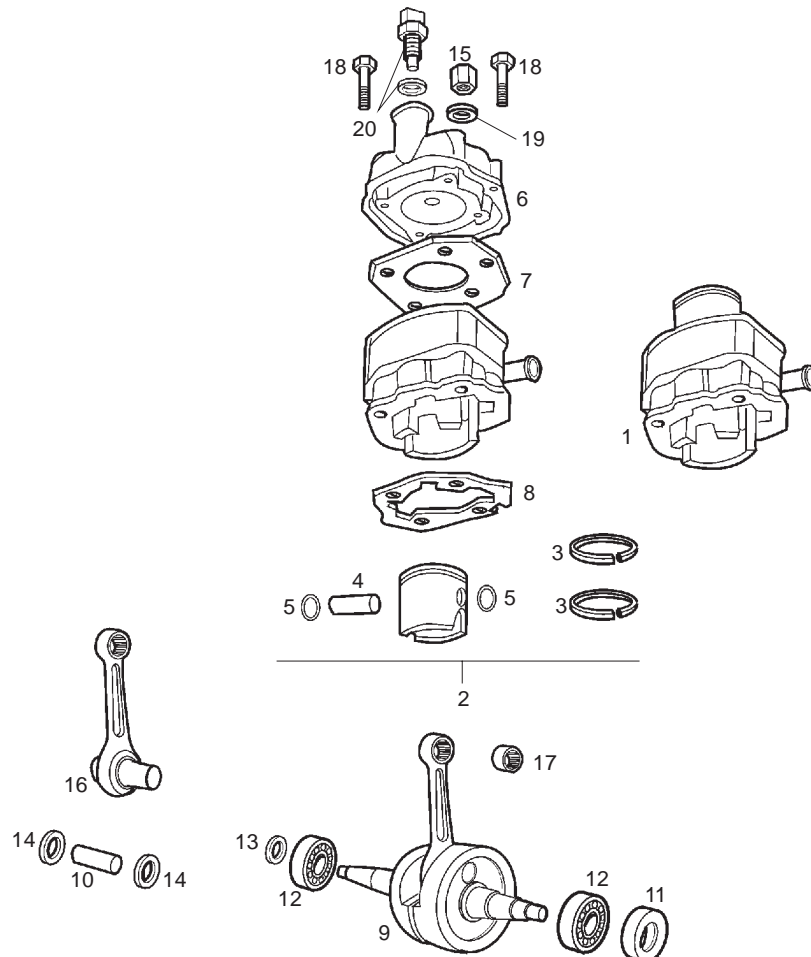
| Fig. | Ver. | COD. KOD.    | DESCRIPCIÓN DENOMINAZIONE NAME                    | BEZEICHNUNG DESIGNATION | MOD. | NOTAS NOTES NOTA MITSCHRIFT NOTES |
|------|------|--------------|---|-------------------------|------|-----------------------------------|
| 01A  |      | 00H99927E302 | MOTOR SM 50cc 6V E2<br>MOTORE<br>ENGINE           | MOTOR<br>MOTEUR         | 1 2  |                                   |
| 01B  |      | 00H99927V400 | MOTOR 50cc 6V E2 ESCANDINAVIA<br>MOTORE<br>ENGINE | MOTOR<br>MOTEUR         | 3    |                                   |

**ACCESORIOS OPCIONALES / ACCESORI OPCIONALE / OPTIONAL ACCESORIES / WERKZEUG / OTILS FOURNIS**

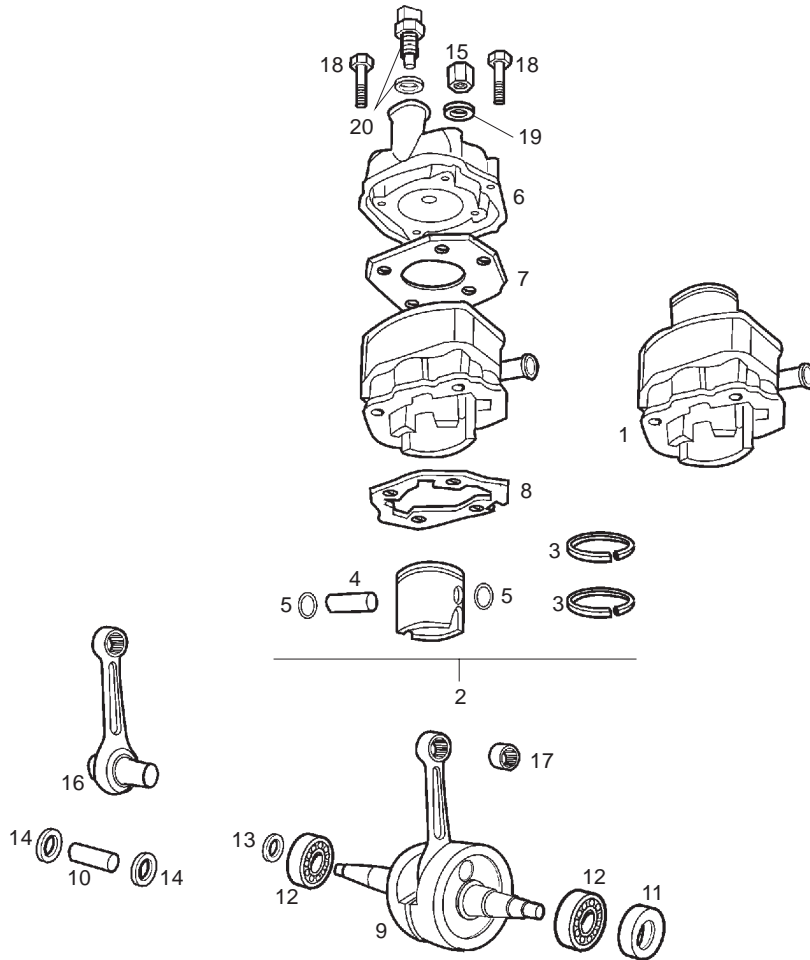
|     |  |             |  |                                 |       |  |
|-----|--|-------------|--|---------------------------------|-------|--|
| 02A |  | 00H05205481 | R-JUEGO JUNTAS<br>R-GUARNIZIONI<br>GASKET ASSY | DICHTSATZ<br>POCHETTE DE JOINTS | 1 2 3 |  |
|-----|--|-------------|--|---------------------------------|-------|--|



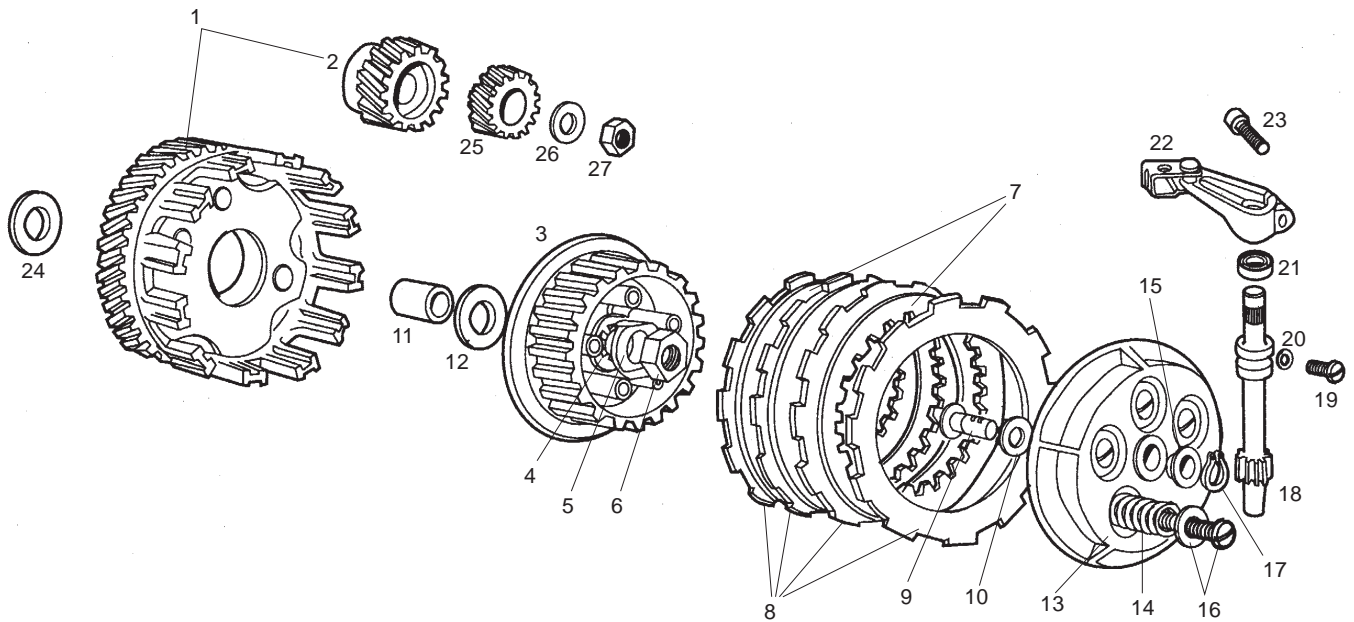
| Fig. | Ver. | COD. KOD.   | DESCRIPCIÓN DENOMINAZIONE NAME   | BEZEICHNUNG DESIGNATION                           | MOD.  | NOTAS NOTES NOTA MITSCHRIFT NOTES |
|------|------|-------------|--|---|-------|-----------------------------------|
| 01A  |      | 00H05007123 | R-CTO.CILIN.-PISTON<br>COMP.CILINDRO PISTONE<br>CYLINDER PISTON ASSEMBLY         | ZYLINDER UND KOLBEN<br>CYLINDRE ET PISTON COMPLET | 1 2 3 |                                   |
| 02A  |      | 00H02542091 | CTO.PISTON (A)<br>PISTONE (A)<br>PISTON (A)                                      | KOLBEN KOMPL (A)<br>PISTON-COMPLET (A)            | 1 2 3 |                                   |
| 02B  |      | 00H02552091 | CTO.PISTON (B)<br>PISTONE (B)<br>PISTON (B)                                      | KOLBEN KOMPL (B)<br>PISTON-COMPLET (B)            | 1 2 3 |                                   |
| 02C  |      | 00H02562091 | CTO.PISTON (C)<br>PISTONE (C)<br>PISTON (C)                                      | KOLBEN KOMPL (C)<br>PISTON-COMPLET (C)            | 1 2 3 |                                   |
| 02D  |      | 00H02572091 | CTO.PISTON (D)<br>PISTONE (D)<br>PISTON (D)                                      | KOLBEN KOMPL (D)<br>PISTON-COMPLET (D)            | 1 2 3 |                                   |
| 03A  |      | 00H02502111 | R-ARO PISTON<br>R-SEGMENTO PISTONE<br>PISTON RING                                | KOLBENDICHTRING<br>SEGMENT DE PISTON              | 1 2 3 |                                   |
| 04A  |      | 00H02502121 | R-BULON PISTON 6V (ASSO)<br>SPINOTTO PISTONE<br>PISTON PIN                       | KOLBENBOLZEN<br>AXE PISTON                        | 1 2 3 |                                   |
| 05A  |      | 00H02501131 | R-ANILLO BULON.6V (ASSO)<br>R-SEGMENTO SPINOTTO D73130PN1<br>CIRCLIP, PISTON PIN | SICHERUNGSRING<br>CLIPS AXE PISTON                | 1 2 3 |                                   |
| 06A  |      | 00H02512013 | CULATA<br>TESTATA<br>CYLINDER HEAD   | ZYLINDERKOPF<br>CULASSE                           | 1 2 3 |                                   |
| 07A  |      | 00H02505021 | JUNTA CULATA.<br>GUARNIZIONE TESTATA<br>GASKET CYLINDER HEAD                     | ZYLINDERKOPFDICHTUNG<br>JOINT DE CULASSE          | 1 2 3 |                                   |



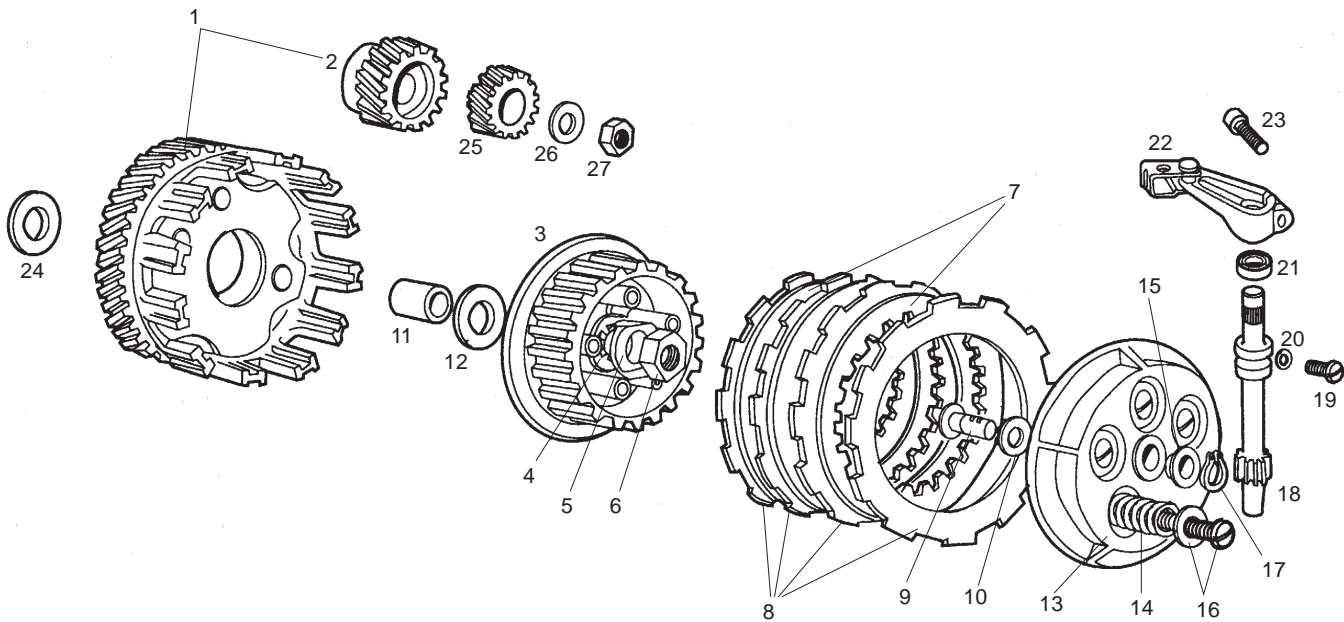
| Fig. | Ver. | COD. KOD.   | DESCRIPCIÓN DENOMINAZIONE NAME   | BEZEICHUNG DESIGNATION                                 | MOD.  | NOTAS NOTES NOTA MITSCHRIFT NOTES |
|------|------|-------------|--|--|-------|-----------------------------------|
| 08A  |      | 00H02500041 | JUNTA CILINDRO.<br>GUARNIZIONE CILINDRO<br>GASKET, CYLINDER                            | ZYLINDERPUBDICHTUNG<br>JOINT DE CYLINDRE               | 1 2 3 |                                   |
| 09A  |      | 00H02506141 | CTO.CIGÑ.-BIELA. 2000<br>ALBERO GOMITO-BIELLA<br>CRANK SHAFT ROD.                      | KURBELWELLE<br>VILEBREQUIN COMPLET                     | 1 2 3 |                                   |
| 10A  |      | 00002025190 | EJE CUELLO CIGÜEÑAL<br>ASSE COLLO ALBERO GOMITO 16.4-<br>CRANKSHAFT PIN                | PLEUEL BOLZEN<br>AXE DE VILLEBREQUIN                   | 1 2 3 |                                   |
| 11A  |      | 00H02500301 | RETEN CIGÑAL.DCH.20.35.7.<br>GIUNTO TENUTA ALBERO GOMITO DE<br>SEAL, CRANKSHAFT        | KURBELWELLEN DICHTRING REC<br>JOINT SPI VILO D.        | 1 2 3 |                                   |
| 12A  |      | 00059220400 | COJINETE 6204 PX2 V4<br>CUSCINETTO 6204 PX2 V4<br>BEARING                              | LAGER 6055 25.47.12 2RS<br>COUSSINET 6005 25-47-12 2RS | 1 2 3 |                                   |
| 13A  |      | 00E02500231 | RETEN CIGUENAL SCOO.74,20.35.7<br>GIUNTO TENUTA ALBERO GOMITO SC<br>SEAL, OUTPUT SHAFT | SIMMERRING<br>JOINT SPI VILO G.20X35X7                 | 1 2 3 |                                   |
| 14A  |      | 00002225220 | ARANDELA REG.CAB.BIELA<br>RONDELLA<br>WASHER   | SCHEIBE<br>RONDELLE                                    | 1 2 3 |                                   |
| 15A  |      | 00008202730 | TUERCA FIJ.MANILL.-CULATA.<br>DADO<br>NUT  | MUTTER<br>ECTROU                                       | 1 2 3 |                                   |
| 16A  |      | 00H05001011 | R-CTO BIELA<br>R-BIELLA<br>CONNECTING ROD W/BEARING AND P                              | PLEUEL<br>BIELLE AVEC CAGE ET AXE                      | 1 2 3 |                                   |
| 17A  |      | 00002125170 | JAULA PIE BIELA<br>GABBIA PIEDE BIELLA KBK12.15.1<br>BEARING, PISTON PIN               | NADELLAGER<br>CAGE A AIGUILLE DE PIED DE               | 1 2 3 |                                   |



| Fig. | Ver. | COD. KOD.   | DESCRIPCIÓN DENOMINAZIONE NAME               | BEZEICHNUNG DESIGNATION      | MOD.  | NOTAS NOTES NOTA MITSCHRIFT NOTES |
|------|------|-------------|--|------------------------------|-------|-----------------------------------|
| 18A  |      | 00H05001551 | TORNILLO FIJACION CULATA-CILINDRO VITE SCREW | SCHRAUBE VIS                 | 1 2 3 |                                   |
| 19A  |      | 00003125280 | ARANDELA FIJ.CULATA. RONDELLA WASHER         | SCHEIBE RONDELLE             | 1 2 3 |                                   |
| 20A  |      | 00H02303441 | TERMOCONTACTO TERMOCONTATTO. THERMOCONTACT   | THERMOKONTAKT TERMOCONTATTO. | 1 2 3 |                                   |

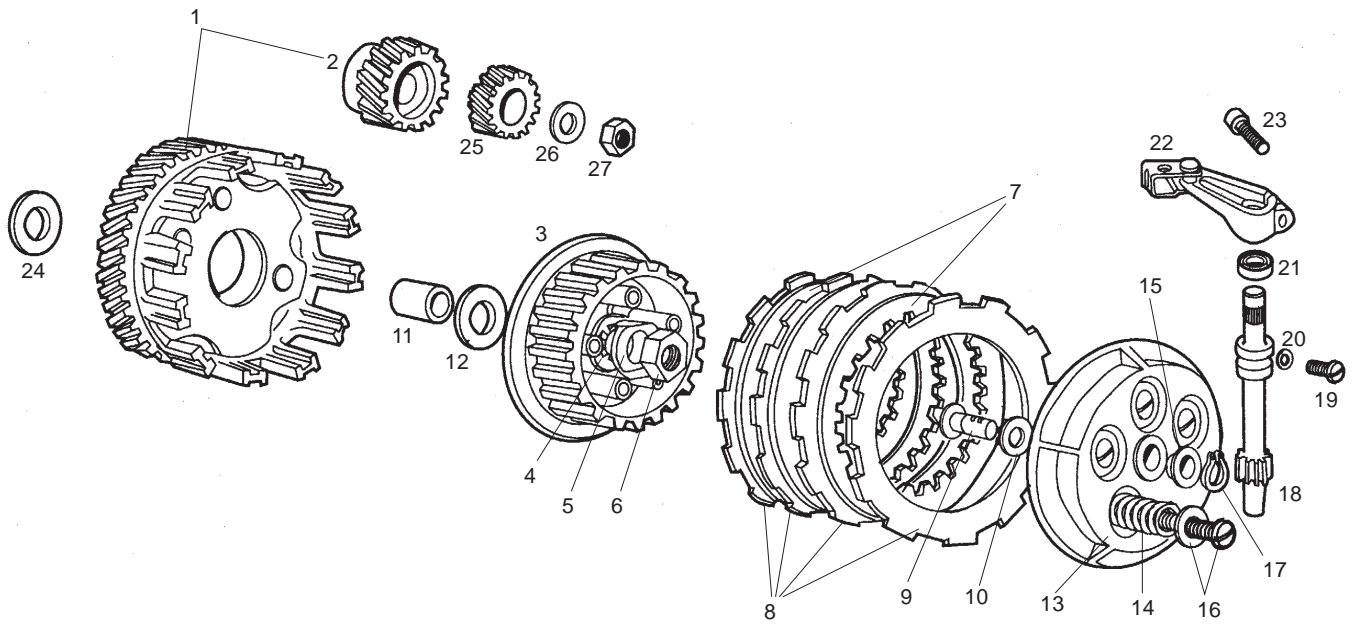


| Fig. | Ver. | COD. KOD.   | DESCRIPCIÓN DENOMINAZIONE NAME   | BEZEICHNUNG DESIGNATION                     | MOD.  | NOTAS NOTES NOTA MITSCHRIFT NOTES |
|------|------|-------------|--|---|-------|-----------------------------------|
| 01A  |      | 00H03603521 | CTO. RUEDA EMBRAGUE<br>R-RUOTA FRIZIONE<br>CLUTCH HOUSING AND DAMPER               | KUPPLUNGSRAD<br>CLOCHE EMBRAYAGE AVEC PIGNO | 1 2 3 |                                   |
| 02A  |      | 00H02601381 | PIÑÓN MOTOR.Z-22.<br>PIGNONE MOTORE .Z-22<br>PRIMAY GEAR Z-22                      | MOTORRITZEL Z-22<br>PIGNON PRIMAIRE Z-22    | 1 2 3 |                                   |
| 03A  |      | 00H02600111 | CAMPANA CONDUCTIDA.4-6V.A.A.<br>CAMPANA GUIDATA 4-6V.A.A.<br>CLUTCH HUB.           | GLOCKE<br>TAMBOUR EMBRAYAGE                 | 1 2 3 |                                   |
| 04A  |      | 00H05000281 | ARANDELA TOPE PIÑÓN INTERMD.74/80<br>RONDELLA<br>WASHER                            | SCHEIBE<br>RONDELLE                         | 1 2 3 |                                   |
| 05A  |      | 00006826230 | PRECTO.TCA.EMBRG.<br>PIASTRINA DADO FRIZIONE<br>WASHER, RETAINING                  | SICHERUNG<br>FREIN DIECROU DIEMBAYAGE       | 1 2 3 |                                   |
| 06A  |      | 00000326260 | TUERCA<br>DADO<br>NUT  | MUTTER<br>ECTROU                            | 1 2 3 |                                   |
| 07A  |      | 00H02600151 | DISCO CONDUCTIDO.74/80CC.<br>DISCO GUIDATO 74/80CC<br>DRIVEN CLUTCH PLATE          | SCHEIBE<br>DISQUE EMBRAYAGE LISSE           | 1 2 3 |                                   |
| 08A  |      | 00H02601161 | SCTO.DISCO CONDUCTOR.74/80CC.<br>SUBDISCO GUIDA 74/80<br>CLUTCH PLATE              | KUPPLUNGSRELAG<br>DISQUE EMBRAYAGE GARNI    | 1 2 3 |                                   |
| 09A  |      | 00H02600271 | CREMALLERA EMPUJE EMBRG.74/80C<br>CREMAGLIERA SPINTA FRIZIONE.74<br>PUSHING CLUTCH | ZAHNSTANGE<br>CREMAILLETE D,EMBAYAGE        | 1 2 3 |                                   |
| 10A  |      | 00H02600551 | RODAMTO.AXIAL CREMALL.EMBRG.<br>CUSCINETTO SFERE RADIALE CREMA<br>BALL BEARING     | LAGER<br>ROULEMENT AXIAL                    | 1 2 3 |                                   |
| 11A  |      | 00H02601011 | CASQ.BUJE EMBRAGUE.<br>GHIERA BRONZINA FRIZIONE<br>BUSHING                         | FUHRUNGSBUCHSE GABELSCHENK<br>ENTRETOISE    | 1 2 3 |                                   |

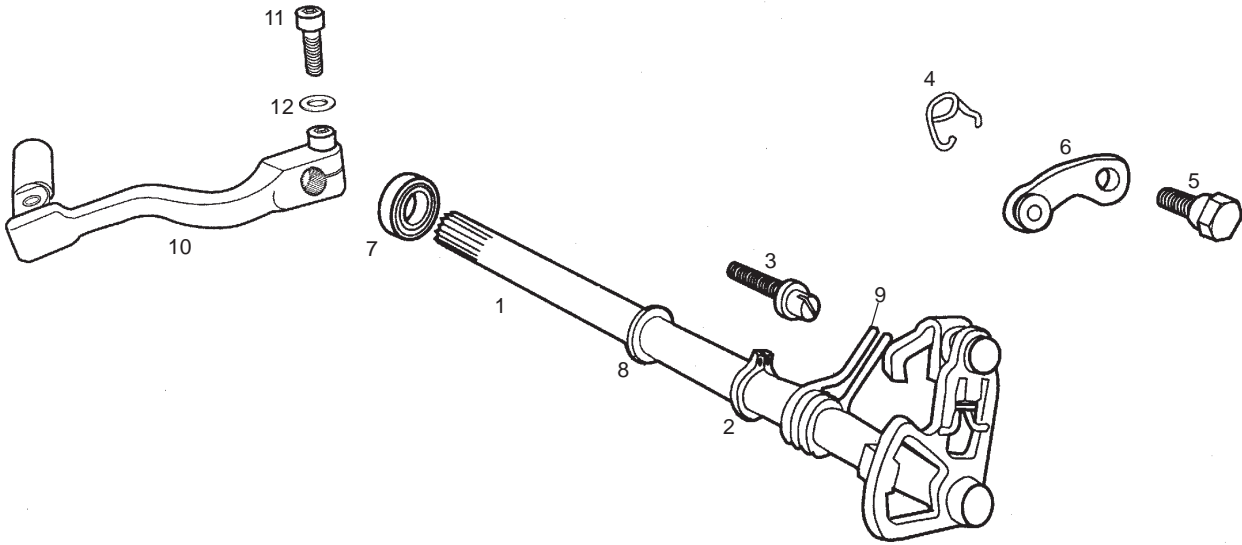


| Fig. | Ver. | COD. KOD.   | DESCRIPCIÓN DENOMINAZIONE NAME  | BEZEICHNUNG DESIGNATION                                   | MOD.  | NOTAS NOTES NOTA MITSCHRIFT NOTES |
|------|------|-------------|---|---|-------|-----------------------------------|
| 12A  |      | 00D02600552 | ARANDELA ROZAMTO.CAMPANA.<br>RONDELLA<br>WASHER   | SCHEIBE<br>RONDELLE                                       | 1 2 3 |                                   |
| 13A  |      | 00H02600181 | TAPA CIERRE EMBRAG.6V.74-80CC.<br>COPERCHIO CHIUSURA FRIZIONE G.<br>OUTER CLUTCH PLATE          | KUPPLINGS-VERSCHLUSSDECKEL<br>PLATEAU EXTERIEUR D,EMBRAYA | 1 2 3 |                                   |
| 14A  |      | 00H02600211 | MUELLE REGULAC.EMBRAGUE.74/80C<br>MOLLA REGOLAZIONE FRIZIONE 74/<br>CLUTCH SPRING               | STELLFEDER<br>RESORT REGLAGE                              | 1 2 3 |                                   |
| 15A  |      | 00H05000281 | ARANDELA TOPE PIÑON INTERMD.74/80<br>RONDELLA<br>WASHER   | SCHEIBE<br>RONDELLE                                       | 1 2 3 |                                   |
| 16A  |      | 00H05901781 | SCTO.TORNILLO 5M80X35<br>VITE<br>SCREW  | SCHRAUBE<br>VIS   | 1 2 3 |                                   |
| 17A  |      | 00000047110 | ANILLO SEG.EJES D10.DIN-471.<br>ANELLO SICUREZZA ASSI D10 D-47<br>CIRCLIP, BRAKE SHOE RETENTION | SEEGERRING<br>CIRCLIP POUR AXE D10                        | 1 2 3 |                                   |
| 18A  |      | 00H02610311 | EJE DESEMBRAGUE.74CC.<br>ASSE DISINNESCO FRIZIONE 74CC<br>CLUTCH SHAFT                          | KUPPLUNGSACHSE<br>AXE                                     | 1 2 3 |                                   |
| 19A  |      | 00H02600342 | TORNILLO FIJ.EJE DESEMB<br>VITE<br>SCREW  | SCHRAUBE<br>VIS   | 1 2 3 |                                   |
| 20A  |      | 00H03800441 | ARANDELA<br>RONDELLA<br>WASHER  | SCHEIBE<br>RONDELLE                                       | 1 2 3 |                                   |
| 21A  |      | 00002027280 | RET.EJE MANDO SELEC.12.20.5.SD<br>RICHIAMO ASSE COMANDO SELETTOR<br>OIL SEAL, SELECTOR SHAFT    | SIMMERRING<br>JOINT ANTI-FUITE                            | 1 2 3 |                                   |
| 22A  |      | 00H02600322 | SCTO.PALANCA DESEMBRG..<br>SUBLEVA DISINNESCO F<br>CLUTCH LEVER                                 | KUPPLUNGSHEBEL<br>LEVIER EMBRAYAGE                        | 1 2 3 |                                   |

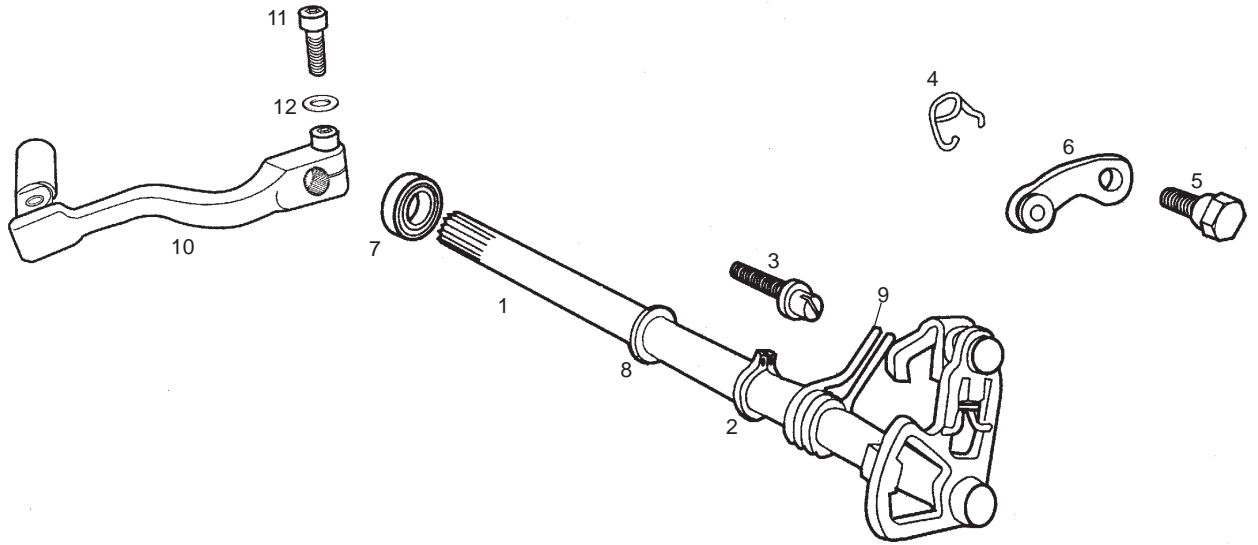




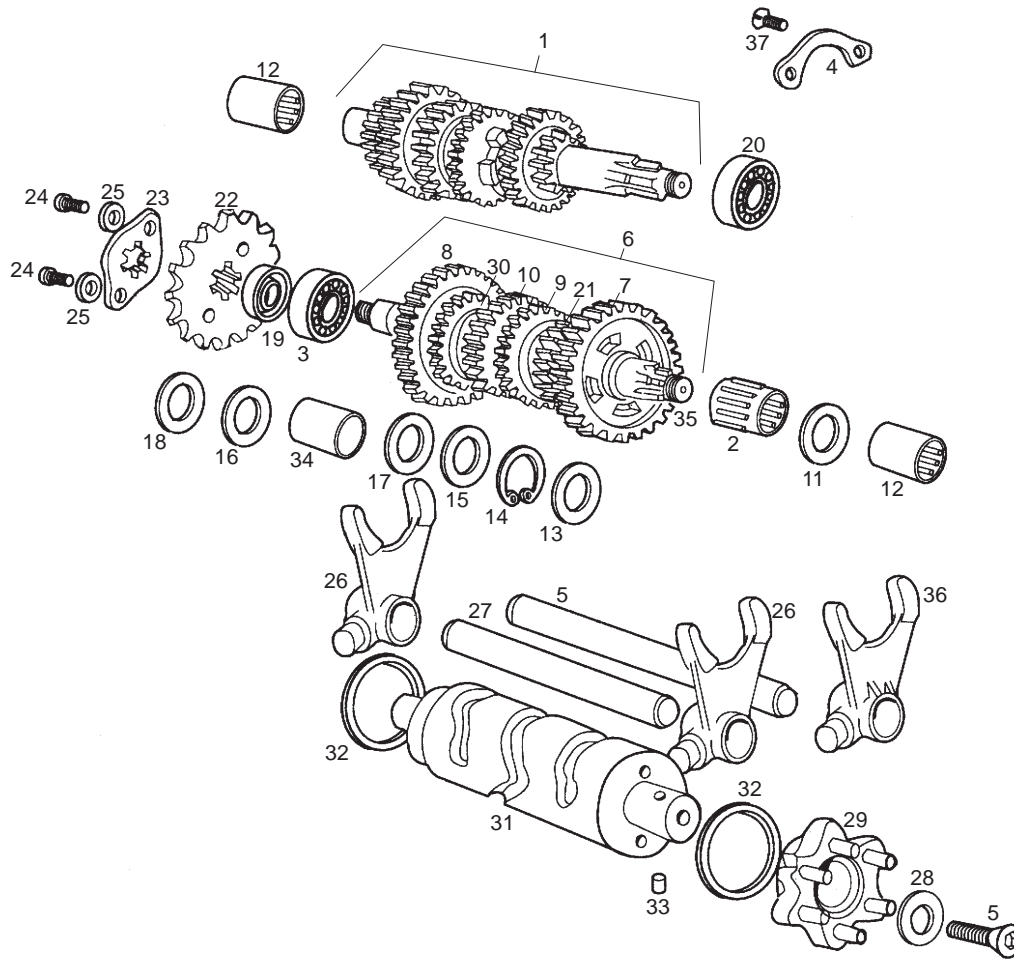
| Fig. | Ver. | COD. KOD.   | DESCRIPCIÓN DENOMINAZIONE NAME   | BEZEICHNUNG DESIGNATION | MOD.  | NOTAS NOTES NOTA MITSCHRIFT NOTES |
|------|------|-------------|--|-------------------------|-------|-----------------------------------|
| 23A  |      | 00052062011 | TORNILLO 6M100X20<br>VITE<br>SCREW   | SCHRAUBE<br>VIS         | 1 2 3 |                                   |
| 24A  |      | 00002026020 | ARANDELA PROTEC.INT.BUJE EMBRAG.<br>RONDELLA<br>WASHER                             | SCHEIBE<br>RONDELLE     | 1 2 3 |                                   |
| 25A  |      | 00H03800181 | PIÑÓN MANDO BOMBAS.Z-14.74/80C<br>PIGNONE COMANDO POMPE .Z-14.7<br>PUMP GUIDE GEAR | RITZEL<br>PIGNON        | 1 2 3 |                                   |
| 26A  |      | 00H02600651 | ARANDELA FIJ.PIÑÓN MOTOR 74/80CC<br>RONDELLA<br>WASHER                             | SCHEIBE<br>RONDELLE     | 1 2 3 |                                   |
| 27A  |      | 00H02600401 | TUERCA FIJ.PIÑÓN MOTOR.<br>DADO<br>NUT   | MUTTER<br>ECTROU        | 1 2 3 |                                   |



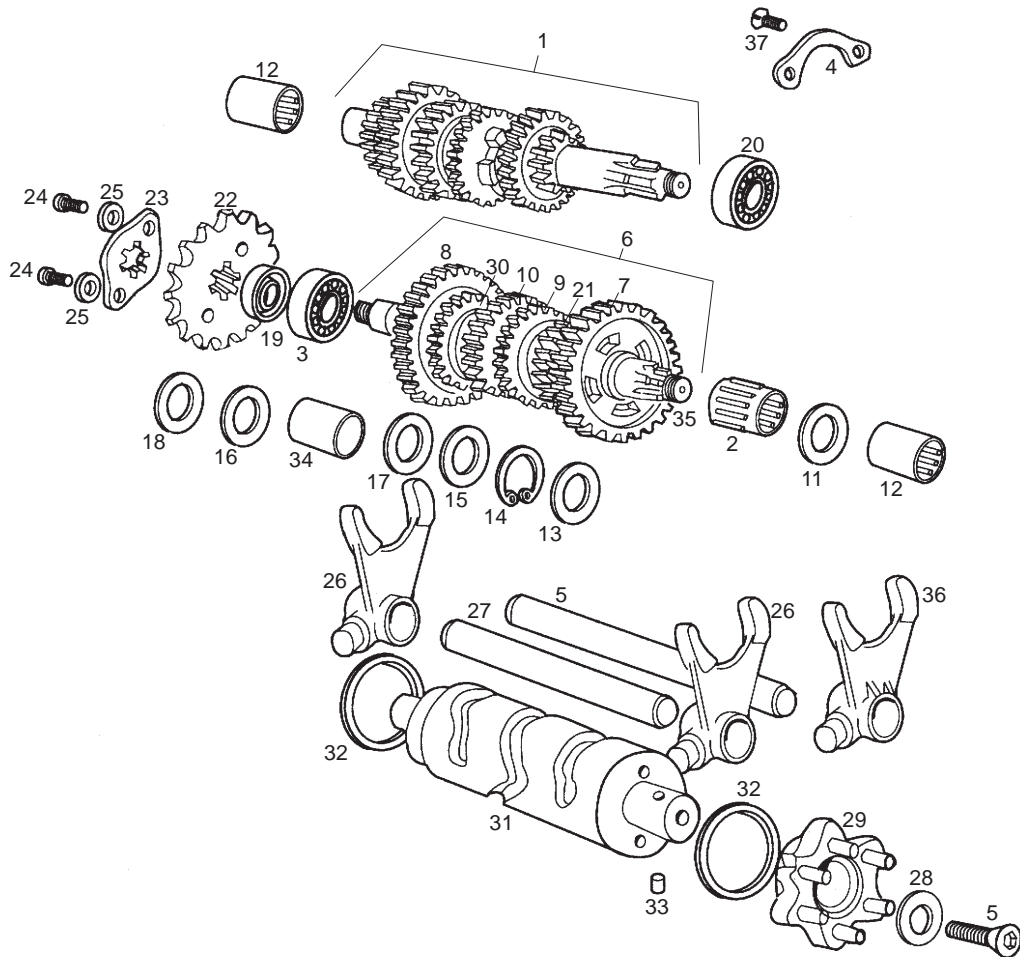
| Fig. | Ver. | COD. KOD.   | DESCRIPCIÓN DENOMINAZIONE NAME   | BEZEICHNUNG DESIGNATION                       | MOD.  | NOTAS NOTES NOTA MITSCHRIFT NOTES |
|------|------|-------------|--|---|-------|-----------------------------------|
| 01A  |      | 00H02700151 | SCTO.EJE SELECTOR.74CC.<br>SUBASSE SELETTORE 74<br>S-ASSY. SELECTOR SHAFT                        | SCHALTACHSE<br>S-ENSEMBLE AXE SELECTEUR       | 1 2 3 |                                   |
| 02A  |      | 00047031100 | ANIL.S.EJES D12.D6799.111013-2<br>ANELLO SEPARATORE ASSI D12.D6<br>CIRCLIP, BRAKE SHOE RETENTION | RING<br>CIRCLIP POUR AXE D12                  | 1 2 3 |                                   |
| 03A  |      | 00H02700231 | ESPARRG.MUELLE SELEC.74/80CC.<br>BULLONE MOLLA SELETTORE 74/80C<br>SCREW, SELECTOR SPRING ADJ.   | FEDERSTIFT<br>AXE EXCENTRIQUE                 | 1 2 3 |                                   |
| 04A  |      | 00H02700441 | MUELLE FIJ.MARCHAS.74/80CC.<br>MOLLA FISSAGGIO MARCE 74/80CC<br>GEAR FIXING SPARING              | BEF.-FEDER<br>RESSORT                         | 1 2 3 |                                   |
| 05A  |      | 00H02700451 | TORNILLO GUIA FIJ.MARCHAS<br>VITE<br>SCREW   | SCHRAUBE<br>VIS                               | 1 2 3 |                                   |
| 06A  |      | 00H02700491 | SCTO.PALANCA FIJ.MARCHAS.74CC.<br>SUBLEVA FISSAGGIO MA<br>LEVER FIXING GEARS                     | GANSCHALTHEEEL<br>LEVIER FIXATION PIGNONS     | 1 2 3 |                                   |
| 07A  |      | 00002027280 | RET.EJE MANDO SELEC.12.20.5.SD<br>RICHIAMO ASSE COMANDO SELETTOR<br>OIL SEAL, SELECTOR SHAFT     | SIMMERRING<br>JOINT ANTI-FUITE                | 1 2 3 |                                   |
| 08A  |      | 00002028770 | ARANDELA SEGURO TAMBOR COPPA<br>RONDELLA<br>WASHER   | SCHEIBE<br>RONDELLE                           | 1 2 3 |                                   |
| 09A  |      | 00H02700251 | MUELLE SELECTOR.74/80CC.<br>MOLLA SELETTORE 74/80CC<br>SPRING, SELECTOR                          | FEDER<br>RESSORT                              | 1 2 3 |                                   |
| 10A  |      | 00H02703421 | CTO.PALANCA CAMBIO<br>ÉLEVA CAMBIO<br>GEARSHIFT ASSY.  | GRUPPE GANGSCHALTHEBEL<br>PEDALE DE SELECTEUR | 1 2 3 |                                   |



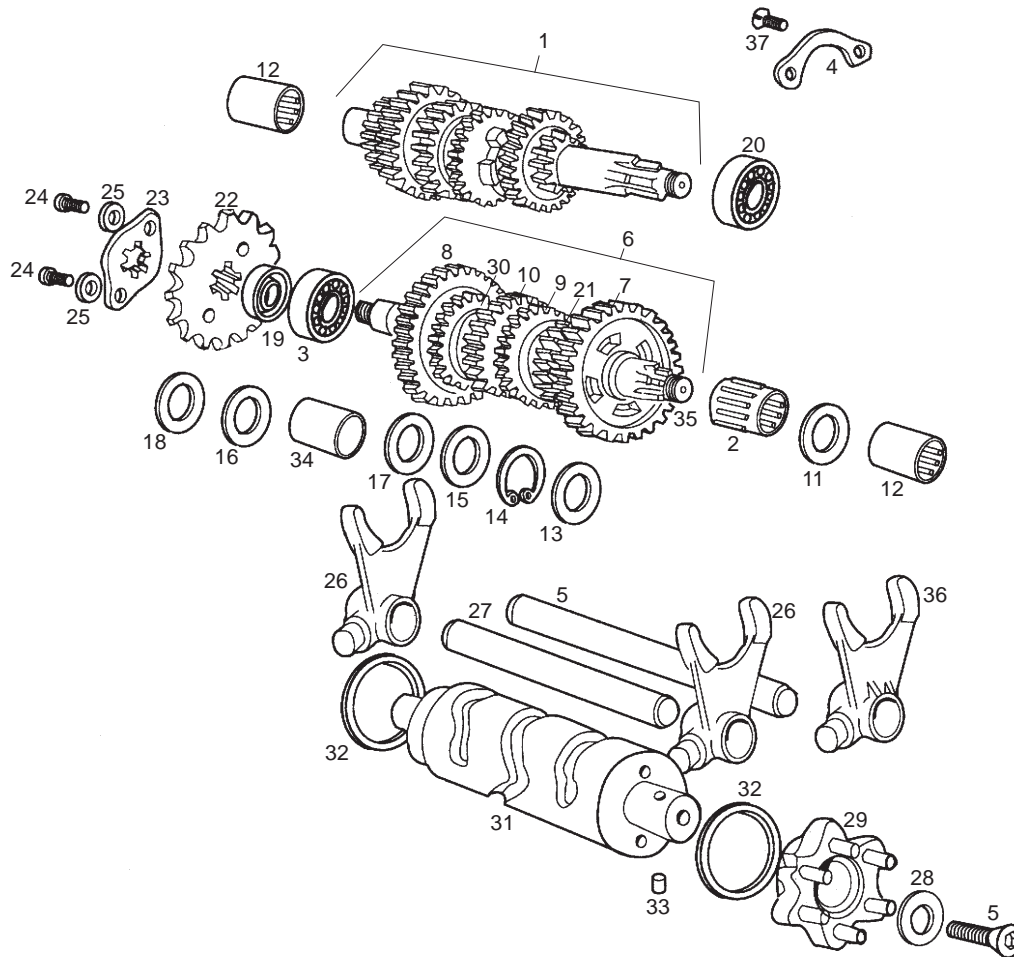
| Fig. | Ver. | COD. KOD.   | DESCRIPCIÓN DENOMINAZIONE NAME             | BEZEICHUNG DESIGNATION | MOD.  | NOTAS NOTES NOTA MITSCHRIFT NOTES |
|------|------|-------------|--|------------------------|-------|-----------------------------------|
| 11A  |      | 00002062511 | TORNILLO C/ALLEN 6M100X25<br>VITE<br>SCREW | SCHRAUBE<br>VIS        | 1 2 3 |                                   |
| 12A  |      | 00442060002 | ARANDELA MUELLE D.6<br>RONDELLA<br>WASHER  | SCHEIBE<br>RONDELLE    | 1 2 3 |                                   |



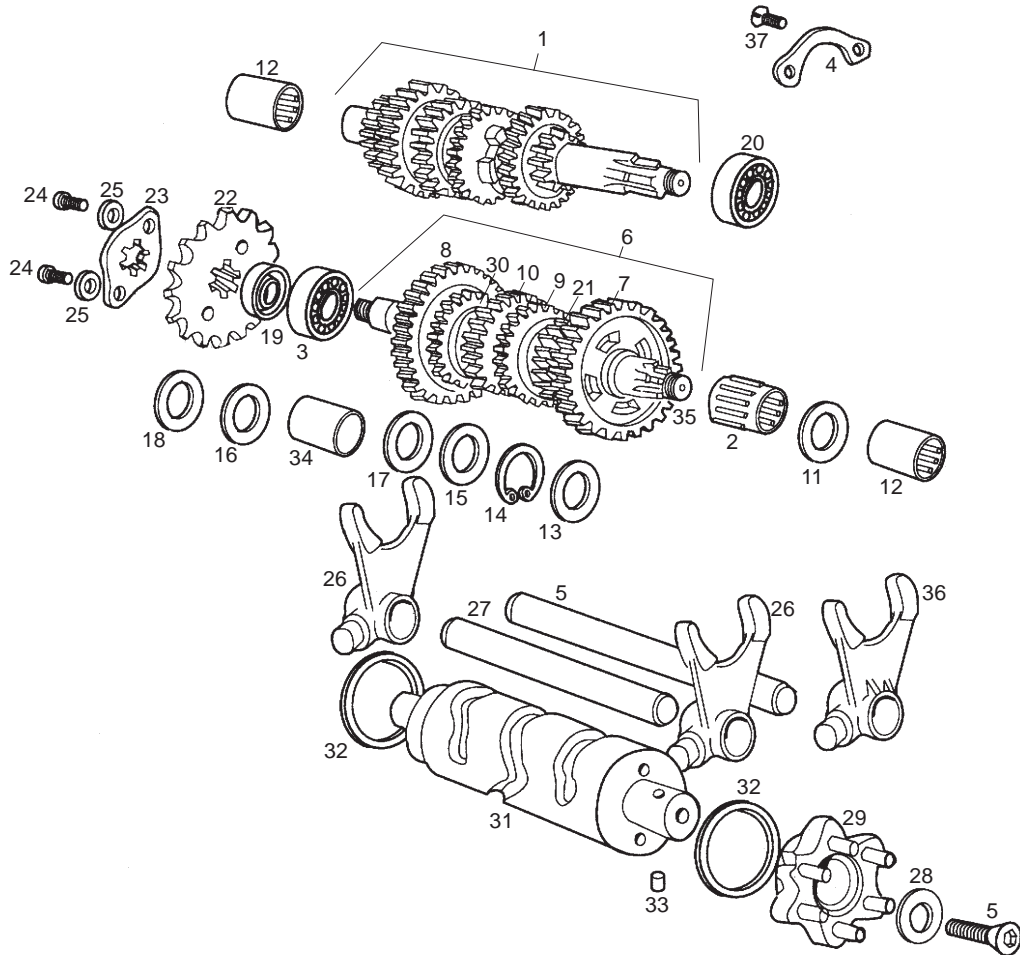
| Fig. | Ver. | COD. KOD.   | DESCRIPCIÓN DENOMINAZIONE NAME   | BEZEICHUNG DESIGNATION                                 | MOD.  | NOTAS NOTES NOTA MITSCHRIFT NOTES |
|------|------|-------------|--|--|-------|-----------------------------------|
| 01A  |      | 00H02803291 | SCTO.EJE PRIMARIO.AGUA.<br>SUBASSE PRIMARIO SEN<br>DRIVE SHAFT.                                | PRIMARCHSE<br>AXE PRIMAIRE                             | 1 2 3 |                                   |
| 02A  |      | 00D02820101 | CORONA AGUJ.PIÑ.2-1A.K14X18X8F<br>CORONA RULLINI PIGNONE .2-1A.K<br>NEEDLE BEARING             | BADELLGER<br>ROULEMENT AIGUILLES                       | 1 2 3 |                                   |
| 03A  |      | 00057120300 | COJINETE 6203-C4.17.40.12 R1.5<br>CUSCINETTO 6203-C4.17.40.12.<br>BEARING                      | LAGER 6055 25.47.12 2RS<br>COUSSINET 6005 25-47-12 2RS | 1 2 3 |                                   |
| 04A  |      | 00H02800901 | PREC.COJINETE EJE PRIM.80CC.<br>PIASTRINA CUSCINETTO ASSE PRIM<br>PLATE POSITION BALL BEARINGS | KUGELLEGERPRIMDRACHSE<br>BUTEE DE ROULEMENT            | 1 2 3 |                                   |
| 05A  |      | 00H02800891 | EJE HORQ.PRIMARIA.74/80CC.<br>ASSE FORCELLA PRIMARIA 74/80CC<br>PRIMARY FORK SHAFT             | GABEL PRIMARACHSE<br>AXE                               | 1 2 3 |                                   |
| 06A  |      | 00H02807131 | CTO.EJE SECUNDARIO.6V<br>ASSE SECONDARIO SEND<br>OUTPUT SHAFT                                  | SEKUNDRACHSE<br>AXE SECONDAIRE MONTE COMPLE            | 1 2 3 |                                   |
| 07A  |      | 00H02820211 | PIÑON SEC.I.Z-34.BI-3.<br>PIGNONE SECONDARIO .I.Z-34.BI-<br>OUTPUT GEAR 1ST                    | RITZEL SEKUNDRACHSE I<br>PIGNON SECONDAIRE I           | 1 2 3 |                                   |
| 08A  |      | 00H02801221 | PIÑON SECUND.II.Z-30<br>PIGNONE SECONDARIO II.Z-30 SEN<br>SECONDARY GEAR                       | RITZEL SEKUNDRACHSE II<br>PIGNON SECONDAIRE II         | 1 2 3 |                                   |
| 09A  |      | 00H02810231 | PIÑON SECUND.III.Z-27.6V.74CC.<br>PIGNONE SECONDARIO .III.Z-27.6<br>OUTPUT GEAR 3RD.           | RITZEL SEKUNDRACHSE III<br>PIGNON 3 (ARBRE SEGONDAIRE) | 1 2 3 |                                   |
| 10A  |      | 00H02801481 | PIÑON SECUND.IV.Z-24<br>PIGNONE SECONDARIO.IV.Z-24 SEN<br>SECONDARY GEAR                       | RITZEL SEKUNDRACHSE II<br>PIGNON SECONDAIRE II         | 1 2 3 |                                   |
| 11A  |      | 00H02800181 | ARANDELA REGLAJE EJE SECUNDARIO<br>RONDELLA<br>WASHER  | SCHEIBE<br>RONDELLE                                    | 1 2 3 |                                   |



| Fig. | Ver. | COD. KOD.   | DESCRIPCIÓN DENOMINAZIONE NAME   | BEZEICHUNG DESIGNATION  | MOD.  | NOTAS NOTES NOTA MITSCHRIFT NOTES |
|------|------|-------------|--|---|-------|-----------------------------------|
| 12A  |      | 00002028450 | CASQ.AGUJAS EJES I-II.HK-1412. GHIERA RULLINI ASSI I-II.HK-1 NEEDLE BEARING, GEAR SHAFTS | NADELLGER CAGE A AIGUILLES                                    | 1 2 3 |                                   |
| 13A  |      | 00H02800251 | ARANDELA ROZAMTO.PIÑON SECUND.I RONDELLA WASHER  | SCHEIBE RONDELLE  | 1 2 3 |                                   |
| 14A  |      | 00002028550 | ANILLO SEG.PIÑONES.D18. ANELLO SICUREZZA PIGNONI D18 CIRCLIP D 18                        | SICHERUNGSRING JONC DIARBRE                                   | 1 2 3 |                                   |
| 15A  |      | 00H02800561 | ARANDELA PIÑS.SECUND.III/IV.A.A. RONDELLA WASHER   | SCHEIBE RONDELLE  | 1 2 3 |                                   |
| 16A  |      | 00H02810561 | ARANDELA ROZMTO.PIÑ.PRIM.V.74/80C RONDELLA WASHER  | SCHEIBE RONDELLE  | 1 2 3 |                                   |
| 17A  |      | 00H02820561 | ARANDELA ROZAMT.PIÑON SEC.II.74CC RONDELLA WASHER  | SCHEIBE RONDELLE  | 1 2 3 |                                   |
| 18A  |      | 00H02810181 | ARANDELA COJINT.EJE SECUNDARIO RONDELLA WASHER   | SCHEIBE RONDELLE  | 1 2 3 |                                   |
| 19A  |      | 00H02800401 | RETEN.PIÑON SALIDA CAMB.74/80C GIUNTO TENUTA PIGNONE USCITA C SEAL Ssprocket             | DICHTRING JOINT SPI PIGNON                                    | 1 2 3 |                                   |
| 20A  |      | 00058020301 | COJINETE 6203-C3.17.40.12 CUSCINETTO BEARING   | LAGER COUSSINET   | 1 2 3 |                                   |
| 21A  |      | 00H02810411 | PIÑON SECUND.V.Z-23.6V.74CC. PIGNONE SECONDARIO V.Z-23 OUTPUT GEAR 5TH.                  | RITZEL SECUNDTRACHSE V PIGNON DE 5 (ARBRE SECONDAI            | 1 2 3 |                                   |
| 22A  |      | 00H02805371 | PIÑON SALIDA CAMBIO Z-14 PIGNONE USCITA CAMBIO Z-14 GEARBOX OUTPUT PINION Z-14           | GANGSCHALTUNGS AUSGANGSRIT Z-14 PIGNON SORTIE CHANGEMENT Z-14 | 1 2   |                                   |

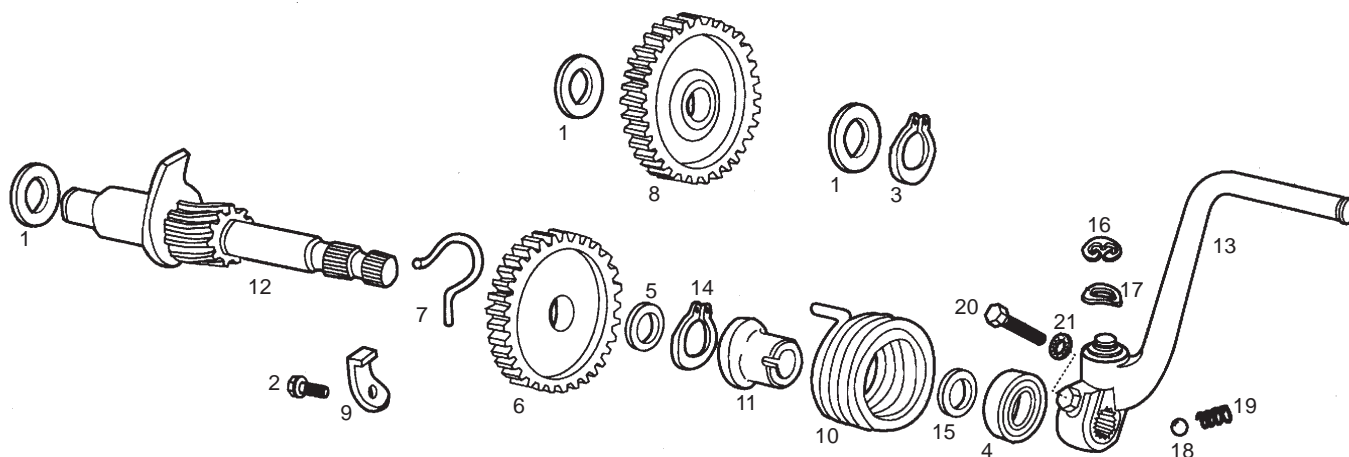


| Fig. | Ver. | COD. KOD.   | DESCRIPCIÓN DENOMINAZIONE NAME   | BEZEICHNUNG DESIGNATION  | MOD.  | NOTAS NOTES NOTA MITSCHRIFT NOTES |
|------|------|-------------|--|--|-------|-----------------------------------|
| 22B  |      | 00H02808371 | PIÑÓN SALIDA CAMBIO Z-12<br>PIGNONE USCITA CAMBIO Z-12<br>GEARBOX OUTPUT PINION Z-12             | GANGSCHALTUNGS AUSGANGSRIT Z-12<br>PIGNON SORTIE CHANGEMENT Z-12 | 3     |                                   |
| 23A  |      | 00H02810421 | PREC.PIÑÓN SALIDA CAMB.50.4V<br>PIASTRINA PIGNONE USCITA CAMBI<br>LOCKWASHER, COUNTERSHAFT SPROK | RITZEL<br>RONDELLE DE SECURITE SBV.                              | 1 2 3 |                                   |
| 24A  |      | 00000004510 | TORNILLO C/ALLEN 5M80X10NEGRO<br>VITE<br>SCREW   | SCHRAUBE<br>VIS  | 1 2 3 |                                   |
| 25A  |      | 00000034050 | ARANDELA EST. INT.D.5.<br>RONDELLA<br>WASHER   | SCHEIBE<br>RONDELLE  | 1 2 3 |                                   |
| 26A  |      | 00H02820651 | HORQ.SECUNDARIA.4-6V.<br>FORCELLA SECONDARIA 4-6V.<br>FORK OUTPUT                                | SHALTGABEL<br>FOURCHETTE   | 1 2 3 |                                   |
| 27A  |      | 00H02800881 | EJE HORQ.SECUNDARIA 74/80CC.<br>ASSE FORCELLA SECONDARIA 74/80<br>SECONDARY FORK SHAFT           | GABEL SEKUNDARACHSE<br>AXE                                       | 1 2 3 |                                   |
| 28A  |      | 00H02800801 | ARANDELA PIÑ.CONTR/MAND.TAMBOR<br>RONDELLA<br>WASHER   | SCHEIBE<br>RONDELLE  | 1 2 3 |                                   |
| 29A  |      | 00H02810631 | CABEZA MANDO TAMBOR.74CC.<br>TESTA COMANDO TAMBORO 74CC.<br>DRUM HEAD                            | ESTEUERKOPF<br>TETE TAMBOR SELECTEUR                             | 1 2 3 |                                   |
| 30A  |      | 00H02810741 | PIÑÓN SECUND.VI.Z-22.6V.74CC.<br>PIGNONE SECONDARIO VI.Z-22.6V.<br>OUTPUT GEAR 6TH.              | RITXEL SEKUNDARACHSE VI<br>PIGNON DE 6 (ARBRE SECONDAI           | 1 2 3 |                                   |
| 31A  |      | 00H02802861 | TAMBOR DISTRIBUIDOR<br>TAMBORO DISTRIBUTORE<br>SHIFT DRUM  | VERTEILERTROMMEL<br>BARILLET                                     | 1 2 3 |                                   |
| 32A  |      | 00D04000291 | ARANDELA TAMBOR DISTRIBD.0,5.4/6V<br>RONDELLA<br>WASHER  | SCHEIBE<br>RONDELLE  | 1 2 3 |                                   |

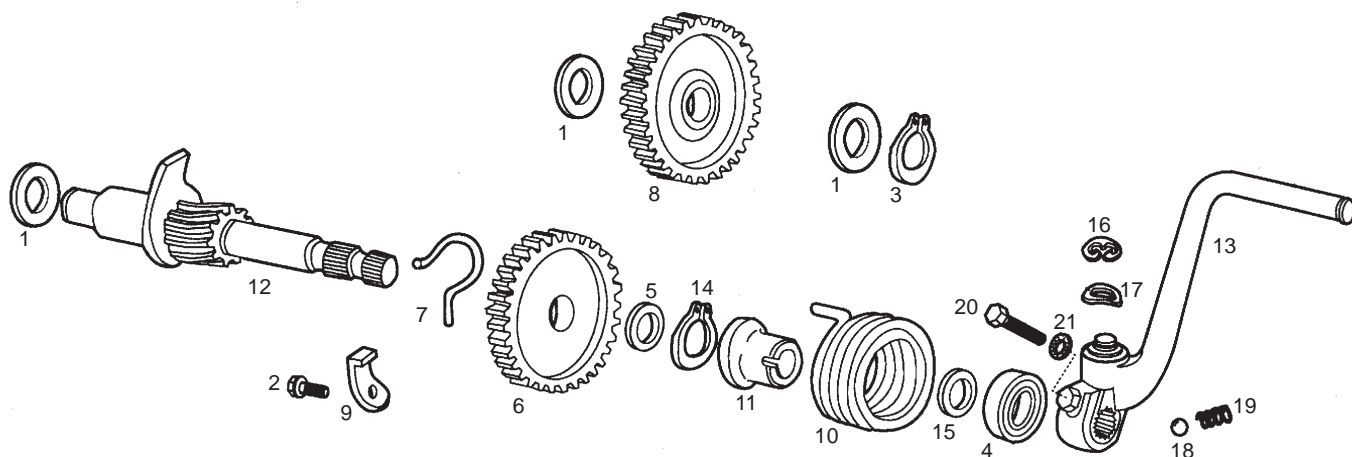


| Fig. | Ver. | COD. KOD.   | DESCRIPCIÓN DENOMINAZIONE NAME  | BEZEICHUNG DESIGNATION                       | MOD.  | NOTAS NOTES NOTA MITSCHRIFT NOTES |
|------|------|-------------|---|--|-------|-----------------------------------|
| 33A  |      | 00000066060 | RODILLO.4X6.<br>RULLO 4X6<br>ROLLER 4X6                                 | WALZE FÜR SCHA LTUNG<br>GALETS 4X6           | 1 2 3 |                                   |
| 34A  |      | 00H02800241 | CASQ.PIÑON SECUND.II.74CC.<br>GHIERA PIGNONE SECONDARIO .II.<br>BUSHING | FUHRUNGSBUCHSE GABELSCHENK<br>ENTRETOISE     | 1 2 3 |                                   |
| 35A  |      | 00H02803161 | EJE SECUND.6VI98<br>ASSE SECONDARIO 6VI98<br>OUTPUT SHAFT               | SEKUNDARACHSE<br>AXE SECONDAIRE MONTE COMPLE | 1 2 3 |                                   |
| 36A  |      | 00H02820661 | HORQ.PRIMARIA.V-VI.74CC.<br>FORCELLA PRIMARIA V-VI.74CC<br>FORK OUTPUT  | SHALTGABEL<br>FOURCHETTE                     | 1 2 3 |                                   |
| 37A  |      | 00000013510 | TORNILLO AVELLADO ALLEN 5M80X10<br>VITE<br>SCREW                        | SCHRAUBE<br>VIS                              | 1 2 3 |                                   |

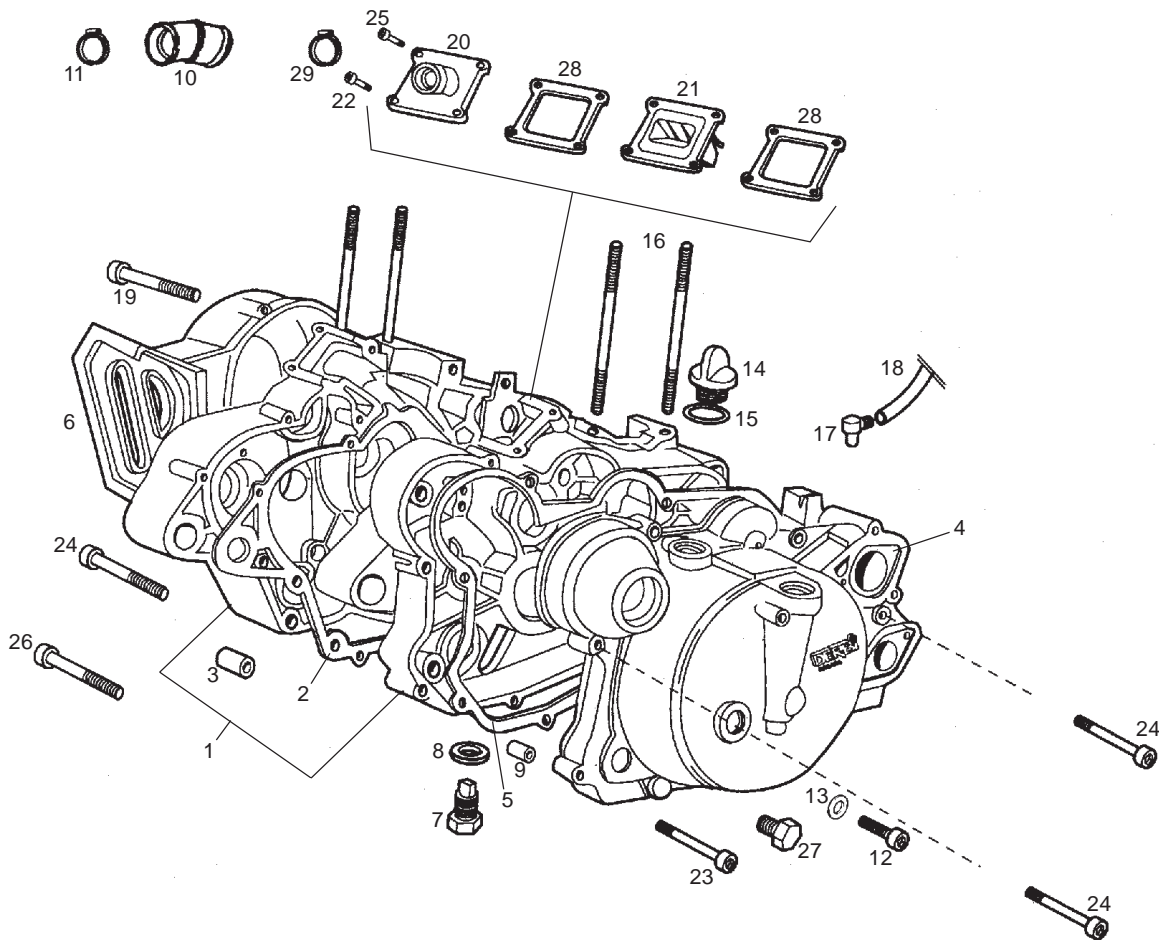




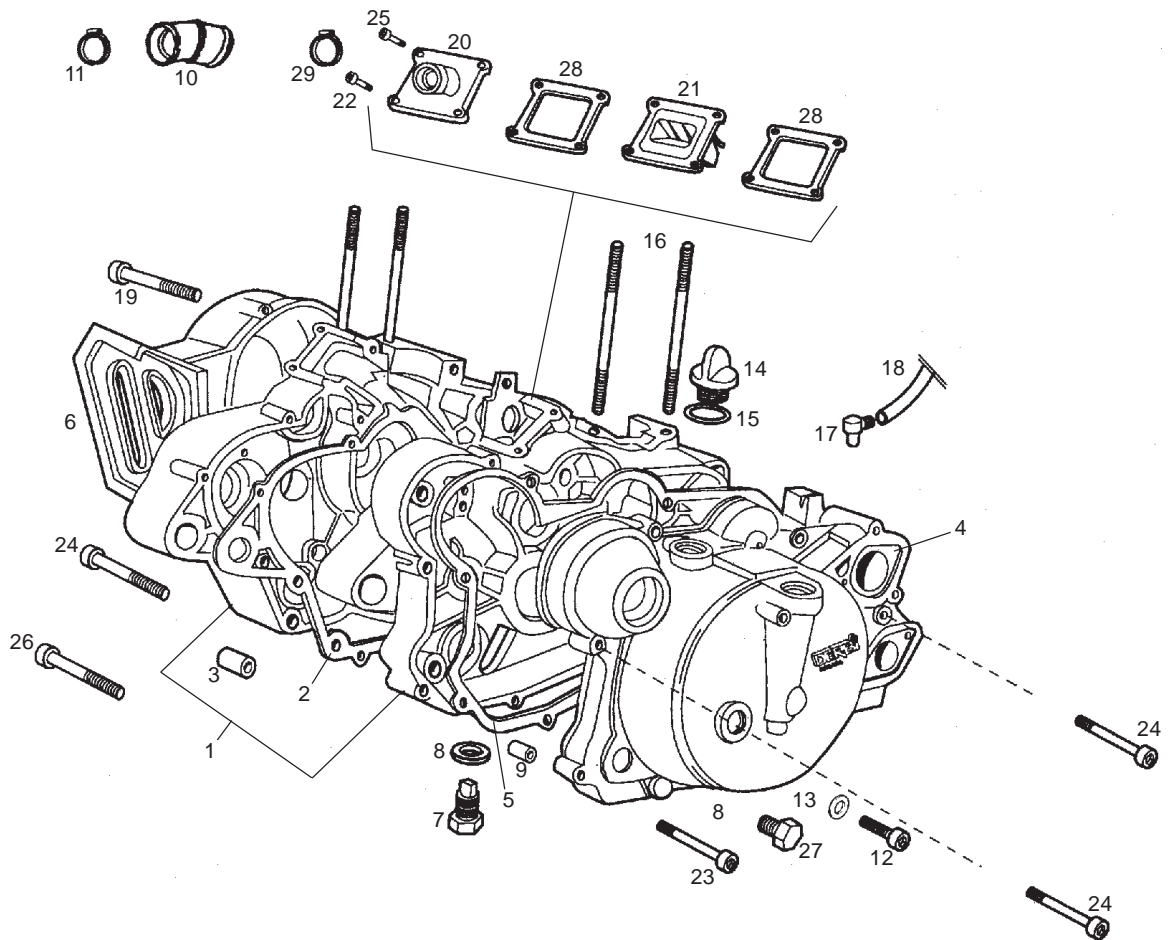
| Fig. | Ver. | COD. KOD.   | DESCRIPCIÓN DENOMINAZIONE NAME  | BEZEICHUNG DESIGNATION                         | MOD.  | NOTAS NOTES NOTA MITSCHRIFT NOTES |
|------|------|-------------|---|--|-------|-----------------------------------|
| 01A  |      | 00002028770 | ARANDELA SEGURO TAMBOR COPPA<br>RONDELLA<br>WASHER  | SCHEIBE<br>RONDELLE                            | 1 2 3 |                                   |
| 02A  |      | 00H02900761 | TORNILLO FIJ.TOPE ARRQ.6X10<br>VITE<br>SCREW  | SCHRAUBE<br>VIS                                | 1 2 3 |                                   |
| 03A  |      | 00000047111 | ANILLO SEG.EJES D11.DIN-471.<br>ANELLO SICUREZZA ASSI D11.DIN-<br>CIRCLIP, SELECTOR SHAFT | SICHERHEITSPRING<br>CIRCLIPS ARBRE SELECTEUR   | 1 2 3 |                                   |
| 04A  |      | 00D02910131 | RETEN EJE ARRANQUE 15-26-5<br>ANELLO TENUTA AVVIAMENTO 15-26-5<br>OIL SEAL 15-26-5        | SIMMERING<br>JOINT ANTI-FUITE                  | 1 2 3 |                                   |
| 05A  |      | 00005529290 | ARANDELA TOPE PIÑ.ARRQ.<br>RONDELLA<br>WASHER   | SCHEIBE<br>RONDELLE                            | 1 2 3 |                                   |
| 06A  |      | 00H02900091 | PIÑON ARRANQUE Z-29<br>PIGNONE AVVIAMENTO Z-29<br>KICKSTARTER GEAR Z-29                   | ANLAUFTRITZEL<br>ROUE DE MISE EN MARCHE Z-29   | 1 2 3 |                                   |
| 07A  |      | 00H02900281 | MUELLE PI'ON ARR.<br>MOLLA PIGNONE AVVIAMENTO<br>SPRING, ENGAGEMENTE REAR                 | RITZELFEDER<br>RESSORT DE ROUE DE MISE EN      | 1 2 3 |                                   |
| 08A  |      | 00H02901441 | PIÑON INTERMED.ARRQ.<br>PIGNONE INTERMEDIO AVVIAMENTO<br>DRIVING GEAR                     | ANLAUF-ZWISCHENRITZEL<br>ROUE INTERMEDIAIRE    | 1 2 3 |                                   |
| 09A  |      | 00H02901551 | REFZO.TOPE ARRQ.<br>RINFORZO FERMO AVVIAMENTO SEND<br>KICKSTARTER LEVER STOP              | VERSTARUNG F.ANSCHULAG<br>BUTEE PEDALE DE KICK | 1 2 3 |                                   |
| 10A  |      | 00H02900041 | MUELLE ARRANQUE,<br>MOLLA AVVIAMENTO<br>KICKSTARTER SPRING                                | ANLAUFFEDER<br>RESSORT DE KICK                 | 1 2 3 |                                   |
| 11A  |      | 00H02900271 | CAZLTA.GUIA MUELLE ARRQ.<br>SCODELLINO GUIDA MOLLA AVVIAME<br>SPRING GUIDE                | FUHRUNGSPFANE<br>RAMPE DE KICK                 | 1 2 3 |                                   |



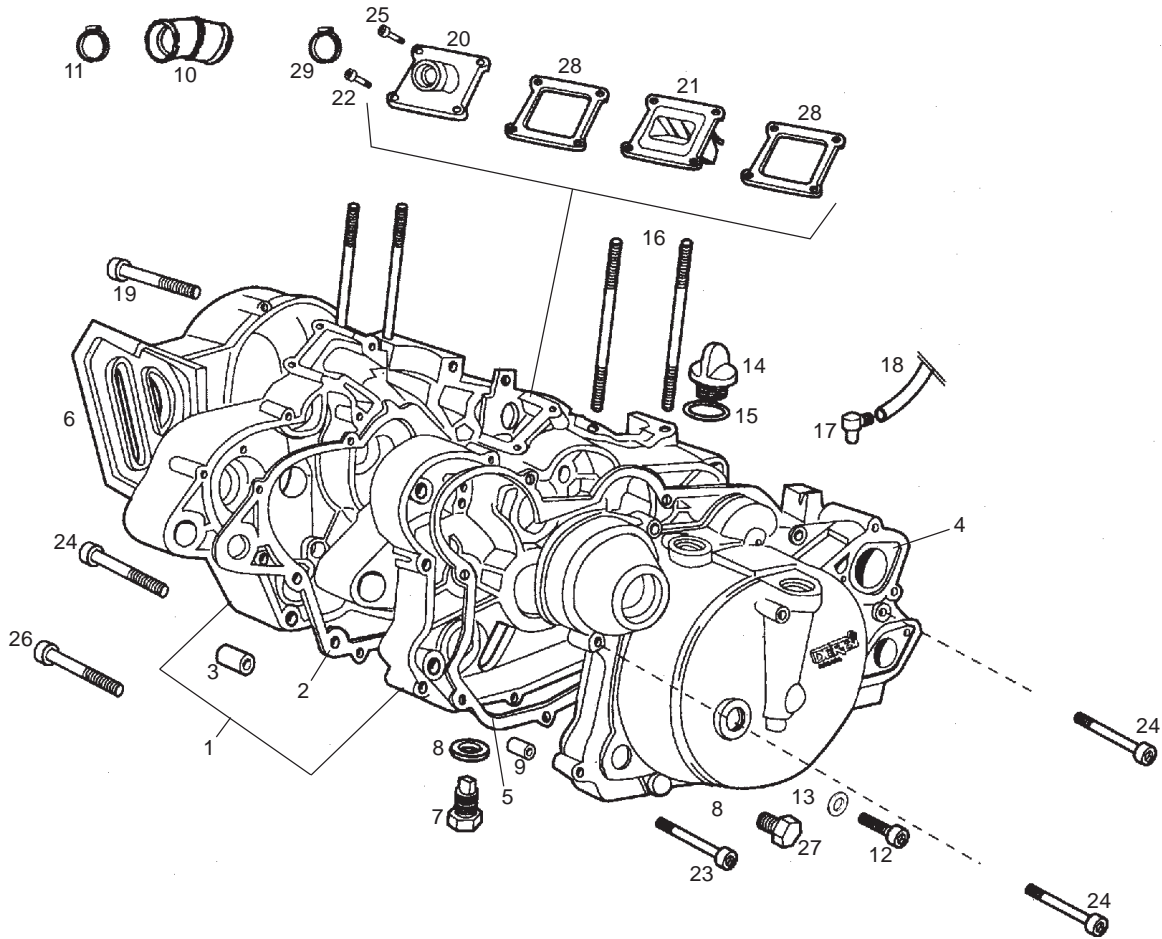
| Fig. | Ver. | COD. KOD.   | DESCRIPCIÓN DENOMINAZIONE NAME   | BEZEICHNUNG DESIGNATION                    | MOD.  | NOTAS NOTES NOTA MITSCHRIFT NOTES |
|------|------|-------------|--|--|-------|-----------------------------------|
| 12A  |      | 00H02900011 | SCTO.EJE ARRANQUE, SUBASSE AVVIAMENTO S KICKSTARTER SHAFT                        | ANLAUFACHSE ARBRE DE KICK                  | 1 2 3 |                                   |
| 13A  |      | 00H02902252 | CTO.PALANCA ARRQ. LEVA AVVIAMENTO KICKSTARTER LEVER                              | KICKSTARTER LEVIER DE KICK                 | 1 2 3 |                                   |
| 14A  |      | 00000047122 | ANILLO SEG.EJES D22.DIN-471. RONDELLA SICUREZZA D22.DIN-471 CIRCLIP D22 DIN 471  | SICHERHEITSRING ANNEAU SECURITE AXES D22   | 1 2 3 |                                   |
| 15A  |      | 00002029050 | ARANDELA TOPE ARRQ.4-6V. RONDELLA WASHER   | SCHEIBE RONDELLE                           | 1 2 3 |                                   |
| 16A  |      | 00047030900 | ANILL.SEG/EJ.D9-12 D6799/8 ANELLO SICUREZZA/ASSE D9-12 DI CIRCLIP D9-12 DIN-6799 | SICHERHEITSRING ANNEAU SECURITE AXE D.9-12 | 1 2 3 |                                   |
| 17A  |      | 00000036100 | ARANDELA MUELLE AB.D10,5 RONDELLA WASHER   | SCHEIBE RONDELLE                           | 1 2 3 |                                   |
| 18A  |      | 00000061040 | BOLA.D.4,76. PALLA D.4,76 BALL, D.4,76   | KUGEL D.4,76. BILLE DIAMETRE 4,76.         | 1 2 3 |                                   |
| 19A  |      | 00003127200 | MUELLE GATILLOS.ANTORCHA. MOLLA GRILLETTO TORCIA SPRING, DETENT                  | FEDER RESSORT                              | 1 2 3 |                                   |
| 20A  |      | 00004162500 | TORNILLO C/ALLEN.6M100X25.NG VITE SCREW  | SCHRAUBE VIS                               | 1 2 3 |                                   |
| 21A  |      | 00037000600 | ARANDELA CONICA SEG. D6 4.232004-0 RONDELLA WASHER                               | SCHEIBE RONDELLE                           | 1 2 3 |                                   |



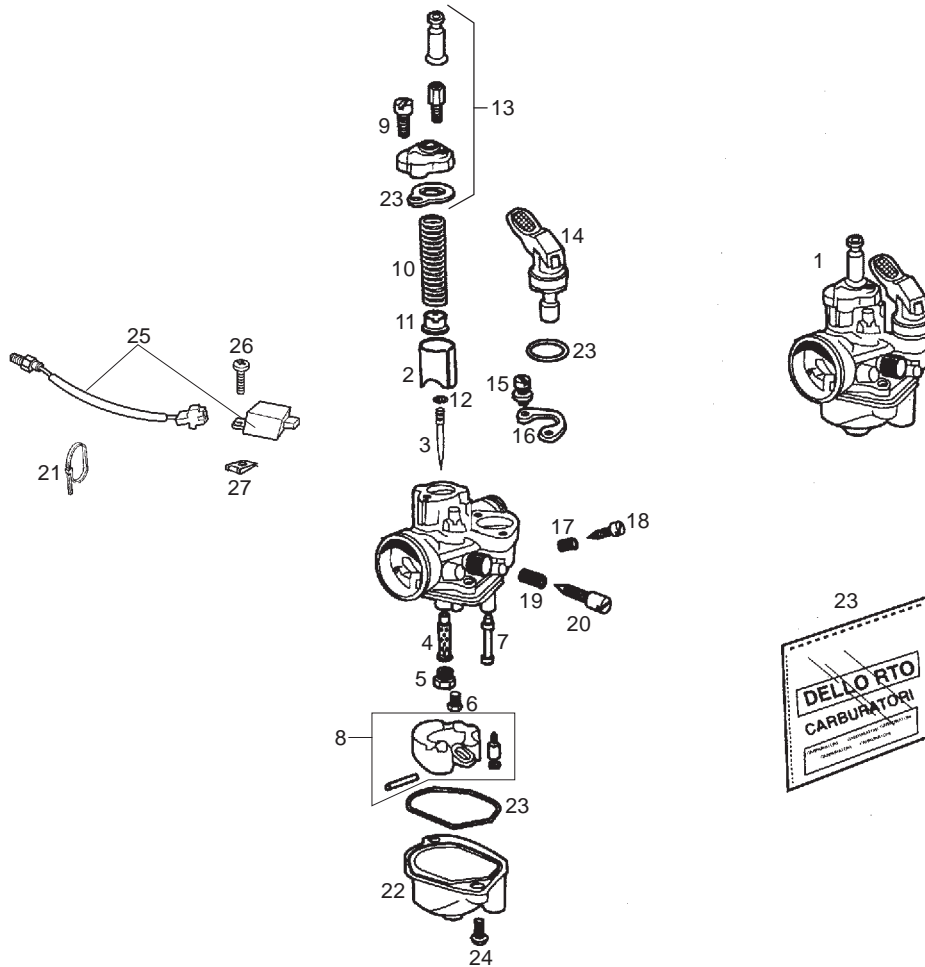
| Fig. | Ver. | COD. KOD.   | DESCRIPCIÓN DENOMINAZIONE NAME   | BEZEICHNUNG DESIGNATION                          | MOD.  | NOTAS NOTES NOTA MITSCHRIFT NOTES |
|------|------|-------------|--|--|-------|-----------------------------------|
| 01A  |      | 00H03003634 | CTO.CARTER<br>CARTERS 50 C.C.<br>CRANCKASE ASSEMBLY  | MOTORGEHAUSE<br>ENSEMBLE DES CARTERS MOTEUR      | 1 2 3 |                                   |
| 02A  |      | 00H03000031 | JUNTA CARTERS.50CC.<br>GUARNIZIONE CARTERS 50CC<br>GASKET, CHANCKASE                       | GEHAUSEDICHTUNG<br>JOINT DE CARTERS CENTRAUX     | 1 2 3 |                                   |
| 03A  |      | 00H03010361 | SEPARAD.SILENT.DT.CARTER<br>SEPARATORE SILENTBLOCK ANTERIO<br>BUSHING                      | FUHRUNGSBUCHSE GABELSCHENK<br>ENTRETOISE         | 1 2 3 |                                   |
| 04A  |      | 00H03007882 | SCTO.TAPA CARTER DR.<br>SUBC.COP.CARTER DES.<br>CRANCKASE COVER                            | KUPLINGSDECKEL<br>CARTER DIEMBAYAGE              | 1 2 3 |                                   |
| 05A  |      | 00H03000141 | JUNTA TAPA CARTER DR.74/80CC.<br>GUARNIZIONE COPERCHIO CARTER D<br>GASKET RIGHT-HAND COVER | DICHTUNG<br>JOINT DE CARTER EMBRAYAGE            | 1 2 3 |                                   |
| 06A  |      | 00H03005241 | TAPA CARTER IZ.<br>COPERCHIO CARTER SINISTRO 4-6V<br>CRANCKASE COVER LEFT                  | GEHD US ED EDKELLINKS<br>COUVERCLE CARTER GAUCHE | 1 2 3 |                                   |
| 07A  |      | 00A03001422 | CTO.TOR.VACDO.ACTE.<br>VITE SVUOTAMENTO OL<br>DRAIN PLUG W/MAGNET                          | OLABLASSSCHRAUBE<br>BOUCHON DE VIDANGE           | 1 2 3 |                                   |
| 08A  |      | 00A03000121 | ARANDELA VACDO.ACTE.VARIANT.<br>RONDELLA<br>WASHER   | SCHEIBE<br>RONDELLE                              | 1 2 3 |                                   |
| 09A  |      | 00002030020 | PASADOR UNION CARTER.<br>CHIAVISTELLO UNIONE CARTER<br>DOWEL PIN, CRANCKASE                | BUCHSE<br>PIED DE CENTRAGE                       | 1 2 3 |                                   |
| 10A  |      | 00H02502891 | CASQ.UNION BOQ.CARB.<br>GHIERA UNIONE ROC.CARB.<br>COMPLING SLEEVE INTAKE                  | ANSAUGGUMMI<br>CONDUIT ADMISION                  | 1 2 3 |                                   |
| 11A  |      | 00H02501491 | BRIDA OTIKER<br>GHIERA OTIKER<br>COLLAR OTIKER   | ZÜGEL OTIKER<br>BRIDE OTIKER                     | 1 2 3 |                                   |



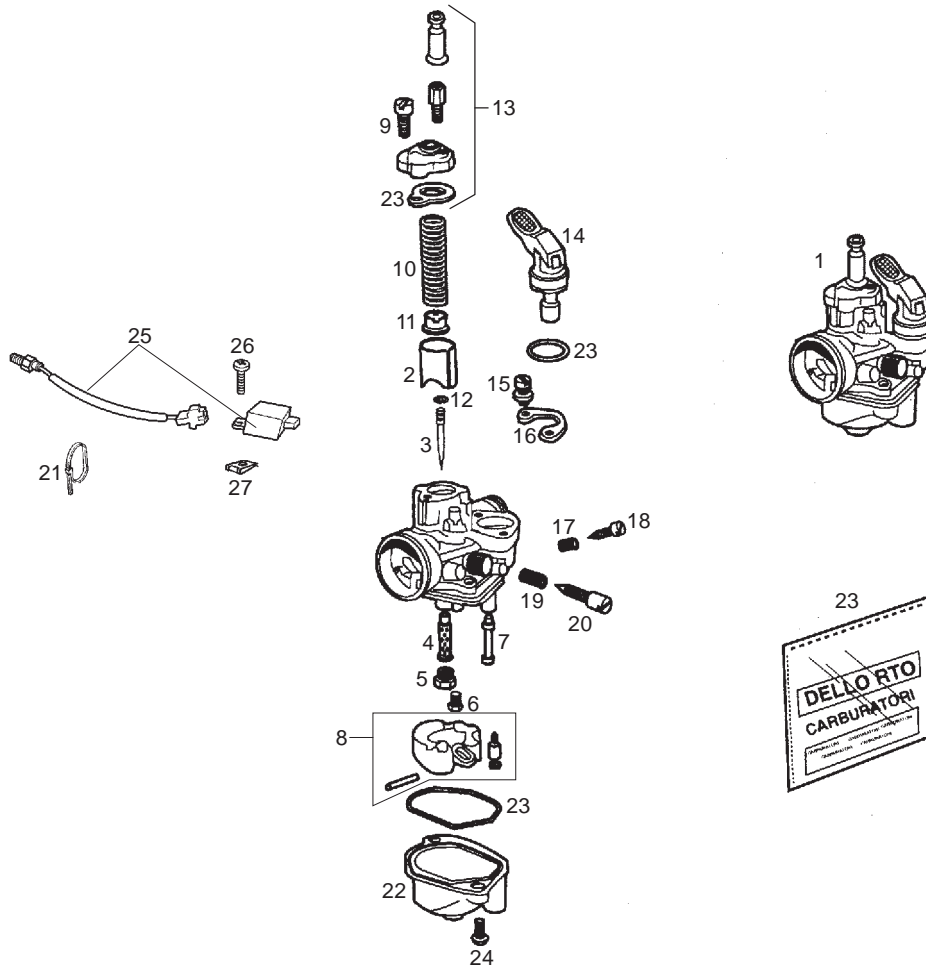
| Fig. | Ver. | COD. KOD.   | DESCRIPCIÓN DENOMINAZIONE NAME   | BEZEICHUNG DESIGNATION                              | MOD.  | NOTAS NOTES NOTA MITSCHRIFT NOTES |
|------|------|-------------|--|---|-------|-----------------------------------|
| 12A  |      | 00002061011 | TORNILLO C/ALLEN.6M100X10<br>VITE<br>SCREW   | SCHRAUBE<br>VIS                                     | 1 2 3 |                                   |
| 13A  |      | 00003102280 | ARANDELA NIVEL ACEITE.D.6.ANTOR.<br>RONDELLA<br>WASHER                                   | SCHEIBE<br>RONDELLE                                 | 1 2 3 |                                   |
| 14A  |      | 00H03000081 | TORNILLO LLENADO ACEITE<br>VITE<br>SCREW   | SCHRAUBE<br>VIS                                     | 1 2 3 |                                   |
| 15A  |      | 00001130370 | ANILLO TORICO TAPON NIV.ACTE.<br>ANELLO TORICO TAPPO LIVELLO OL<br>WASHER SEALING        | O-RING<br>JOINT DE JAUGE D,HUILE                    | 1 2 3 |                                   |
| 16A  |      | 00003130050 | ESPARRG.FIJ.CILINDRO.ANTORCHA.<br>BULLONE FISSAGGIO CILINDRO TOR<br>STUD CYLINDER        | STEBBOLZEN<br>GOUJON DE FIXE CYLINDRE               | 1 2 3 |                                   |
| 17A  |      | 00005530600 | RACORD SALIDA GASES CART.4-6V.<br>RACCORDI USCITA GAS CARTER .<br>CRANKCASE VENT RACCORD | AUSGANGSSTUTZEN<br>RACCORD DE SORTIE GAZ CARTE      | 1 2 3 |                                   |
| 18A  |      | 00H03700461 | TUBO RESPIR.DPTO.ACTE..<br>TUBO RESPIRAZIONE SERBATOIO O<br>VENT PIPE OIL TANK           | ENTLUEFTUNGSSCHLAUCH<br>TUYAU RESPIRATION RESERVOIR | 1 2 3 |                                   |
| 19A  |      | 00G03900821 | TORNILLO C/ALLEN.6M100X30<br>VITE<br>SCREW   | SCHRAUBE<br>VIS                                     | 1 2 3 |                                   |
| 20A  |      | 00H02507061 | BOQUILLA CARBURANTE<br>ATTACCO CARBURATORE<br>INTAKE MANIFOLD,                           | ANSAUGSTUTZEN<br>ENSEMB.PIPE DIADMISSION            | 1 2 3 |                                   |
| 21A  |      | 00H02510641 | CTO.CAJA LAM.ADM.74/80CC.2598-<br>CASSA LAMINA AMMISSI<br>INLET BOX                      | MEMBRANE<br>BOITE A CLAPETS                         | 1 2 3 |                                   |
| 22A  |      | 00G03000211 | TORNILLO C/ALLEN.6M100X25<br>VITE<br>SCREW   | SCHRAUBE<br>VIS                                     | 1 2 3 |                                   |



| Fig. | Ver. | COD. KOD.   | DESCRIPCIÓN DENOMINAZIONE NAME  | BEZEICHNUNG DESIGNATION                    | MOD.  | NOTAS NOTES NOTA MITSCHRIFT NOTES |
|------|------|-------------|---|--|-------|-----------------------------------|
| 23A  |      | 00G03001091 | TORNILLO C/ALLEN.6M100X35<br>VITE<br>SCREW  | SCHRAUBE<br>VIS                            | 1 2 3 |                                   |
| 24A  |      | 00G03002091 | TORNILLO C/ALLEN.6M100X40<br>VITE<br>SCREW  | SCHRAUBE<br>VIS                            | 1 2 3 |                                   |
| 25A  |      | 828152      | TORNILLO<br>VITE<br>SCREW   | SCHRAUBE<br>VIS                            | 1 2 3 |                                   |
| 26A  |      | 00H03000091 | TORNILLO C/ALLEN.6M100X50<br>VITE<br>SCREW  | SCHRAUBE<br>VIS                            | 1 2 3 |                                   |
| 27A  |      | 00A03000132 | TORNILLO VACIADO ACEITE.<br>VITE<br>SCREW   | SCHRAUBE<br>VIS                            | 1 2 3 |                                   |
| 28A  |      | 00H02500811 | JUNTA SOPTE. VALVULA ADMIS.74CC<br>GUARNIZIONE SOSTEGNO VALVOLA A<br>INLET VALVE GASKET | DICHTUNG VENTILHALTER<br>JOINT BTE.CLAPETS | 1 2 3 |                                   |
| 29A  |      | 00H02500491 | BRIDA OTIKER<br>GHIERA OTIKER<br>COLLAR OTIKER  | ZÜGEL OTIKER<br>BRIDE OTIKER               | 1 2 3 |                                   |

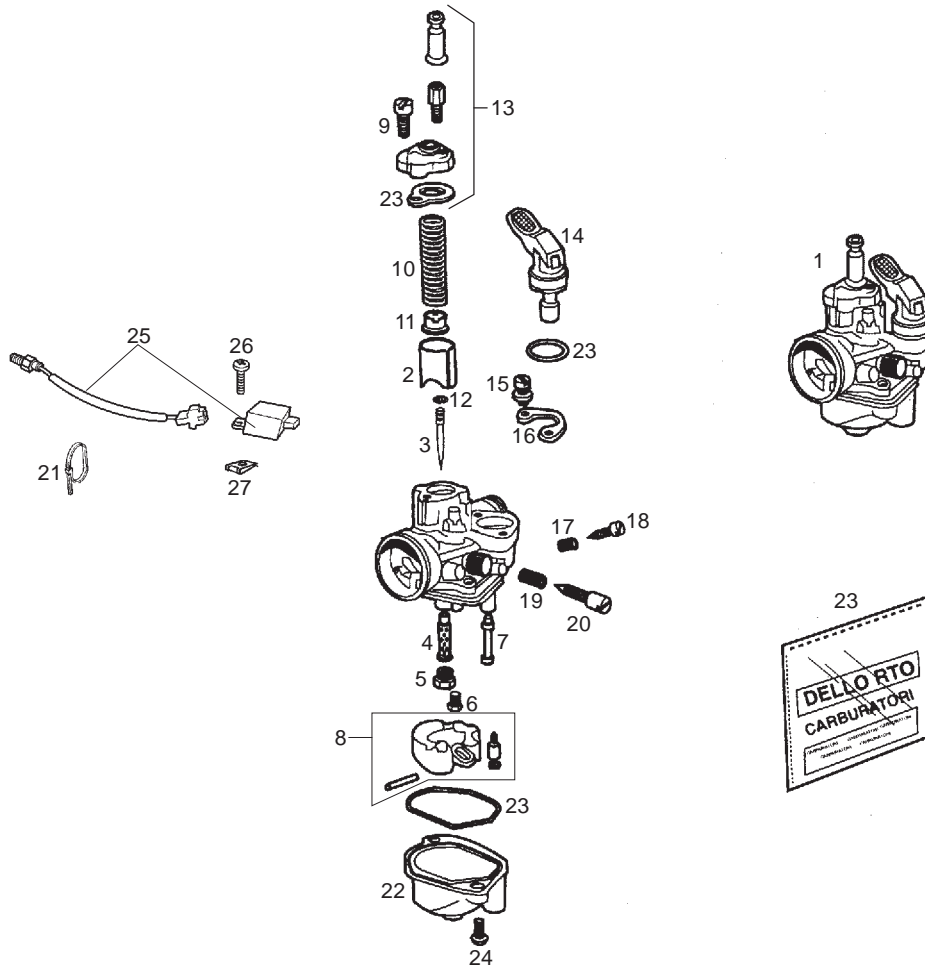


| Fig. | Ver. | COD. KOD.   | DESCRIPCIÓN DENOMINAZIONE NAME                               | BEZEICHUNG DESIGNATION                      | MOD.  | NOTAS NOTES NOTA MITSCHRIFT NOTES |
|------|------|-------------|--|---|-------|-----------------------------------|
| 01A  |      | 00H03246011 | CTO.CARBURADOR<br>CARBURATORE<br>CARBURETOR                  | VERGASER KOMPL<br>ENSEMBLE CARBURATEUR      | 1 2   |                                   |
| 01B  |      | 00H03249011 | CTO.CARBURADOR<br>CARBURATORE<br>CARBURETOR                  | VERGASER KOMPL<br>ENSEMBLE CARBURATEUR      | 3     |                                   |
| 02A  |      | 00F03201211 | R-COMPUERTA GAS<br>R-VALVOLA GAS<br>SLIDE                    | GASSCHIEBER<br>BOISSEAU                     | 1 2 3 |                                   |
| 03A  |      | 00H03214431 | AGUJA PULVERIZADORA<br>R-SPILLO SPRUZZATORE<br>NEEDLE        | DUESENNADELUSE<br>AIGUILLE PULVERIZ.        | 1 2 3 |                                   |
| 04A  |      | 00H03204421 | R-PULVERIZADOR<br>POLVERIZZATORE<br>NEEDLE JET               | ZERSTAUBERDUSE<br>PULVERISATEUR             | 1 2 3 |                                   |
| 05A  |      | 00H03206031 | R-SURTIDOR MAX. 60<br>R-GETTO MASSIMO<br>MAIN JET            | HAUPT DUSE<br>GICLEUR PRINCIPAL             | 1 2   |                                   |
| 05B  |      | 00F03200031 | R-SURTIDOR MAX. 62<br>R-GETTO MASSIMO<br>MAIN JET            | HAUPT DUSE<br>GICLEUR PRINCIPAL             | 3     |                                   |
| 06A  |      | 00H04107181 | R-SURTIDOR MIN. 30<br>R-GETTO MINIMO<br>JET MIN.             | DUESE MIN.<br>R-GICLEUR MINIMUM             | 1 2   |                                   |
| 06B  |      | 00H04106181 | R-SURTIDOR MIN. 33<br>R-GETTO MINIMO<br>JET MIN.             | DUESE MIN.<br>R-GICLEUR MINIMUM             | 3     |                                   |
| 07A  |      | 00H03203481 | R-SURTIDOR ENTRADA AIRE<br>R-GETTO INGRESSO ARIA<br>IDLE JET | LUFTEINLASS-DUSE<br>R-GICLEUR DIENTRE DIAIR | 1 2 3 |                                   |
| 08A  |      | 00H03202281 | R-KIT FLOTADOR<br>R-GALLEGGIANTE<br>FLOAT                    | SCHWIMMER<br>R-FLOTTEUR.                    | 1 2 3 |                                   |

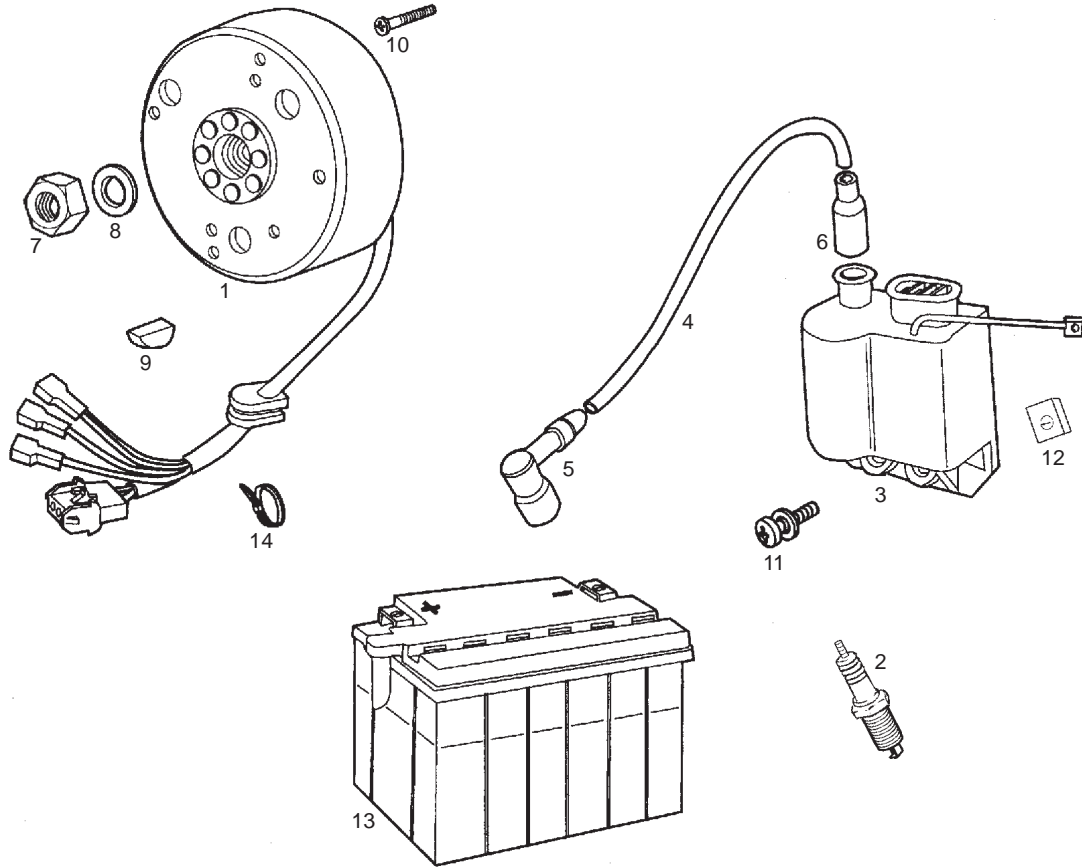


| Fig. | Ver. | COD. KOD.   | DESCRIPCIÓN DENOMINAZIONE NAME   | BEZEICHNUNG DESIGNATION                                   | MOD.  | NOTAS NOTES NOTA MITSCHRIFT NOTES |
|------|------|-------------|--|---|-------|-----------------------------------|
| 09A  |      | 00G03200061 | R-TOR.FIJ.TAPA CAMARA MEZCLA<br>R-VITE FISSAGIO COPERCHIO CAM.<br>MIXING XAMBER COVER SEGURING | BEF.-SCHRAUBE DECKEL MISCH<br>R-BOUL.SER.COUV.CHAMBRE MEL | 1 2 3 |                                   |
| 10A  |      | 00G03201071 | R-MUELLE VALVULA GAS<br>R-MOLLA VALVOLA GAS<br>THROTTLE VALVE RETURN                           | FEDER FUR GASVENTIL<br>R-RESSORT VALVE ESS.               | 1 2 3 |                                   |
| 11A  |      | 00G03200511 | R-CASQUILLO AGUJA PULVERIZADORA<br>R-GHIERA SPILLO SPRUZZATORE<br>NEEDLE BUSHING               | BUCHSE DUESENNADEL<br>R-DOUILLE AIGUI.PULVERZ.            | 1 2 3 |                                   |
| 12A  |      | 00G03201371 | R-PINZA AGUJA PULVERIZADORA<br>R-MORSA SPILLO SPRUZZATORE<br>NEEDLE CIRCLIP                    | KLAMMER DUESENNADEL<br>R-PINCE AIGUI.PULVERZ.             | 1 2 3 |                                   |
| 13A  |      | 00H03204231 | R-TAPA CAMARA MEZCLA<br>R-COPERCHIO CAMARA MISCELA SE<br>COVER CARBURETOR TOP                  | MISCHRAUMDECKEL<br>COUVERCLE CARBURATEUR                  | 1 2 3 |                                   |
| 14A  |      | 00H03203711 | R-CTO.STARTER<br>R-STARTER<br>CHOCKE LOCK  | STARTERVENTIL<br>VANNE DU STARTER MANUEL                  | 1 2 3 |                                   |
| 15A  |      | 00G03200541 | R-TORNILLO FIJ.STARTER<br>R-VITE FISSAGIO STARTER<br>AUTOMA.CHOCKE SEGURING SCREE              | BEF.-SCHRAUBEAUTOM STARTER<br>R-BOULON SER.START.AUTOM.   | 1 2 3 |                                   |
| 16A  |      | 00G03200551 | R-PRECINTO FIJACION STARTER<br>R-PLOMBAGE FIX.START.AUT.<br>AUTOMA.CHOCKE SEGURING SCREE       | HALTERUNG AUTOM. STARTER A<br>R-PLOMBAGE FIX.START.AUT.   | 1 2 3 |                                   |
| 17A  |      | 00G03200721 | R-MUELLE REGULACION AIRE MIN.<br>R-RESSORT REG.AIR.MIN.<br>IDLE ADJUSTER                       | FEDER LUFTREGLER MIN.<br>R-RESSORT REG.AIR MIN.           | 1 2 3 |                                   |
| 18A  |      | 00G03200731 | R-TORNILLO REG.AIRE MIN.<br>R-VIS REG.AIR.MIN.<br>IDLE ADJUSTER SCREW                          | LUFT-REGULIERSCHRAUBE MIN.<br>R-VIS REG.AIR MIN.          | 1 2 3 |                                   |
| 19A  |      | 00G03200101 | R-MUELLE REG.VALVULA GAS<br>R-RES.REG.VALVE ESS.<br>THROTTLE VALVE ADJUSTE SPRING              | FEDER GAS-VENTIL-REGELUNG<br>R-RES.REG.VALVE ESS.         | 1 2 3 |                                   |

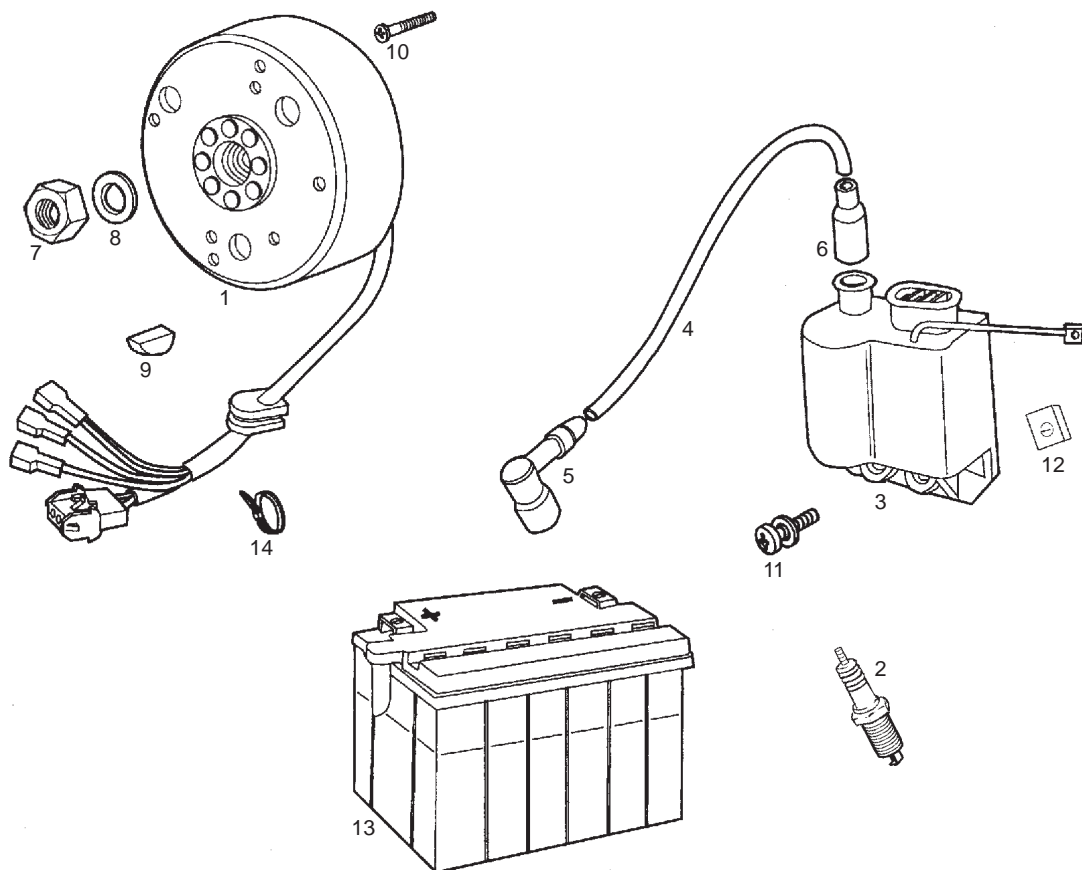




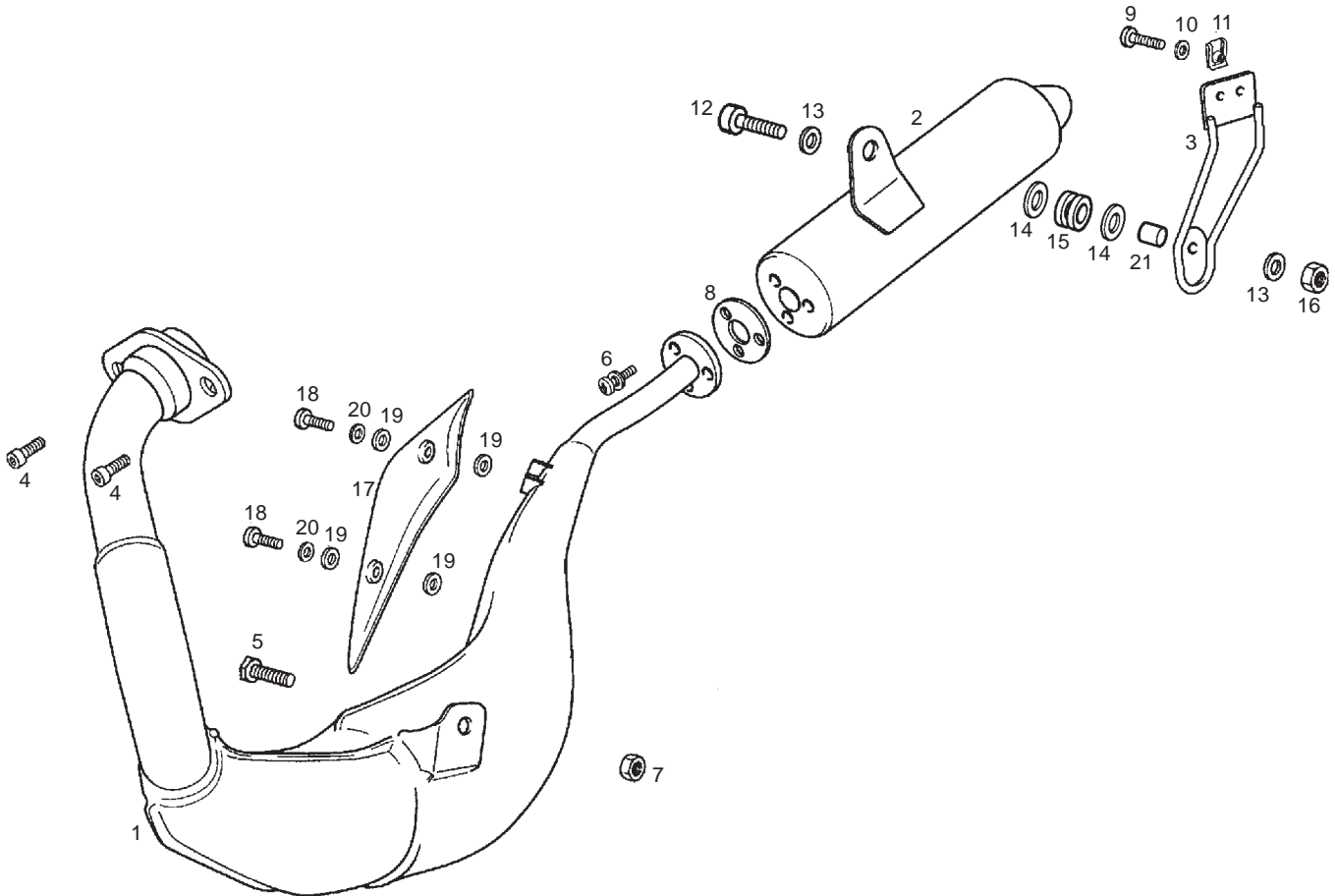
| Fig. | Ver. | COD. KOD.   | DESCRIPCIÓN DENOMINAZIONE NAME   | BEZEICHNUNG DESIGNATION                                   | MOD.  | NOTAS NOTES NOTA MITSCHRIFT NOTES |
|------|------|-------------|--|---|-------|-----------------------------------|
| 20A  |      | 00G04102131 | R-TORNILLO REGULACION VALVULA GAS<br>R-BOUTON VITE REGOLAZIONE VALVOLAR-VIS REG.VALV.ESS.<br>THROTTLE VALVE ADJUSTER SCREW | SCHRAUBE GAS-VENTIL-REGELU                                | 1 2 3 |                                   |
| 21A  |      | 00A00900531 | BRIDA<br>FLANGIA<br>TIE  | BINDER<br>COLLIER   | 2 3   |                                   |
| 22A  |      | 00H03201201 | R-VASO GASOLINA<br>R-VASCHETTA BENZZINA<br>FLOAT BOWL SEET   | SCHWIMMERKAMMER<br>CUVE INFERIEURE CARBUR.                | 1 2 3 |                                   |
| 23A  |      | 00G04100771 | R-CTO.JUNTAS CARBURADOR<br>R-GUARNIZIONE CARBU.<br>CARBURETOR GASKET   | DICHTUNGSATZ KOMPL. VERGAS<br>R-ENS. JOINTS CARBUR.       | 1 2 3 |                                   |
| 24A  |      | 00G03201091 | R-TORNILLO FIJ.VASO GASOLINA<br>R-VITE FISSAGIO VASCHETTA BE<br>FLOAT CHAMBER SEGURING SCREW                               | BEF.-SCHRAUBE<br>R-BOUL.SERG.VASE ESSENC.                 | 1 2 3 |                                   |
| 25A  |      | 00H06001151 | CTO. KIT CALENTADOR CARBURADOR<br>KIT RISCALDAMENTO<br>KIT CARBURETTOR HEATER  | KABELBAUN FUR HEIZUNG VERG<br>KIT QUI CHAUFFE CARBURATEUR | 2 3   |                                   |
| 26A  |      | 00D05900031 | SCTO.TORNILLO 6M100X10<br>VITE<br>SCREW  | SCHRAUBE<br>VIS   | 2 3   |                                   |
| 27A  |      | 00D01501371 | TUERCA FIJACION D6<br>DADO<br>NUT  | MUTTER<br>ECROU   | 2 3   |                                   |



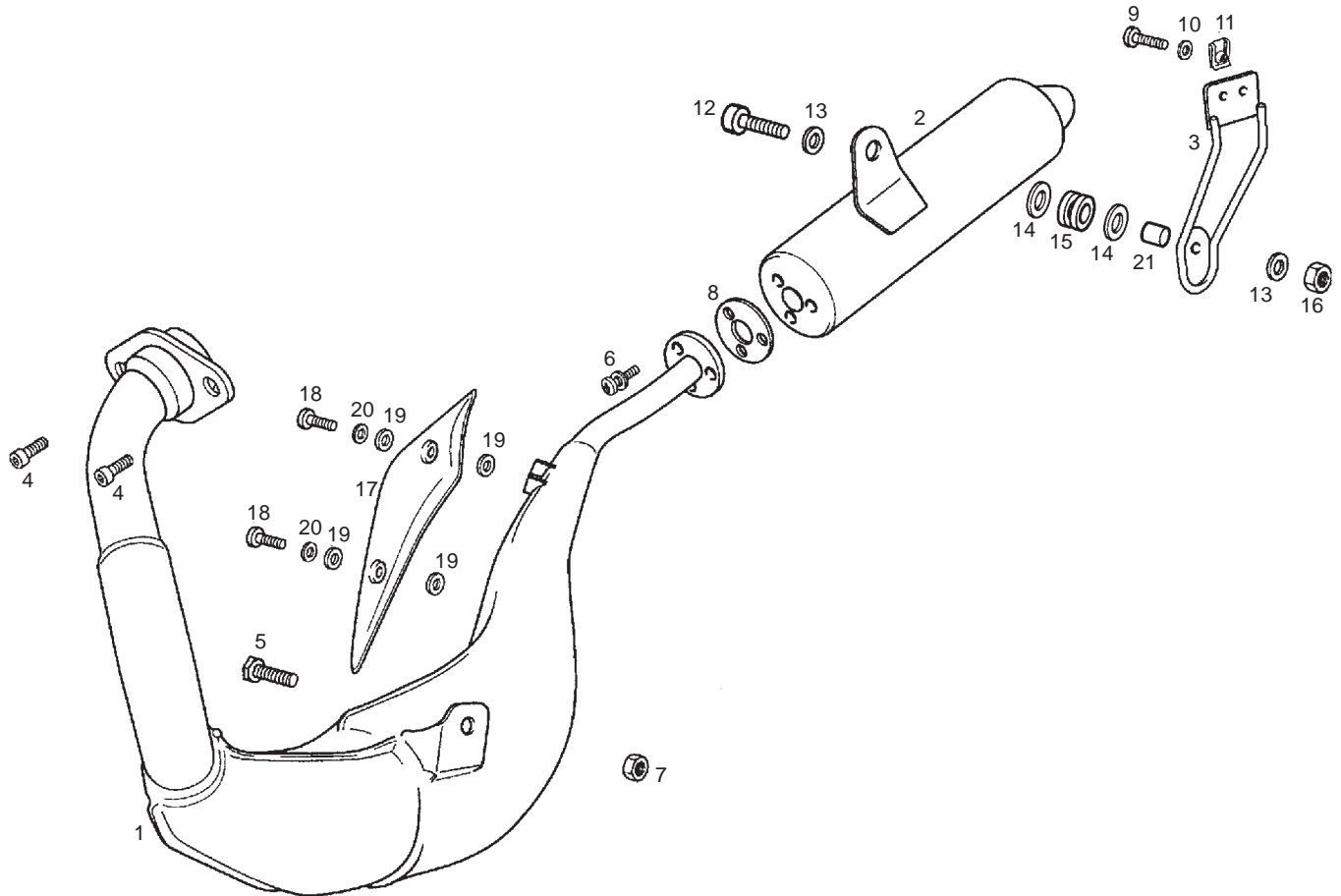
| Fig. | Ver. | COD. KOD.   | DESCRIPCIÓN DENOMINAZIONE NAME  | BEZEICHNUNG DESIGNATION                   | MOD.  | NOTAS NOTES NOTA MITSCHRIFT NOTES |
|------|------|-------------|---|---|-------|-----------------------------------|
| 01A  |      | 00H03311011 | CTO VOLANTE ELECTRONICO<br>VOLANO ELETTRONICO<br>MAGNETO ASSEMBLY                             | LICHTMASCHINE KOMPL.<br>VOLANT MAGNETIQUE | 1 2 3 |                                   |
| 02A  |      | 00H03301211 | BUJIA SENDA<br>CANDELA<br>SPARK PLUG  | ZUNDKERZE<br>BOUGIE                       | 1 2 3 |                                   |
| 03A  |      | 00H03330171 | CTO CONVERSOR ELECTRONICO<br>COVERTITORE ELETTRON<br>COIL, PRIMARY IGNITION                   | ZUNDSPULE<br>BOBINE AUTE TENSION          | 1 2   |                                   |
| 03B  |      | 00H03334171 | CTO CONVERSOR ELECTRONICO<br>COVERTITORE ELETTRON<br>COIL, PRIMARY IGNITION                   | ZUNDSPULE<br>BOBINE AUTE TENSION          | 3     |                                   |
| 04A  |      | 00F03310741 | CABLE BOBINA.START.A.E.<br>CAVO BOBINA START.A.E.<br>CABLE COIL PRIMARY IGNITION              | ZUNDSPULENKABEL<br>CABLE                  | 1 2 3 |                                   |
| 05A  |      | 00G03301271 | CTO. PIPA BUJIA (MTA.)<br>PIPETA CANDELA<br>COVER, SPARK PLUG                                 | ZUNDKERZENSTECRER<br>PIPE DE BOUGIE       | 1 2 3 |                                   |
| 06A  |      | 00F03300731 | CAPUCHON CABLE BOBINA SCO-50.<br>CAPPuccio CAVO BOBINA SCO-50.<br>COIL CABLE RUBBER PROTECTOR | KAPPE<br>CAPUCHON                         | 1 2 3 |                                   |
| 07A  |      | 00H03300221 | TUERCA FIJ.VOLTE.MAGN.<br>DADO<br>NUT   | MUTTER<br>ECTROU                          | 1 2 3 |                                   |
| 08A  |      | 00F03300241 | ARANDELA FIJ.VOLTE.MAGN.SCO.DCT.<br>RONDELLA<br>WASHER  | SCHEIBE<br>RONDELLE                       | 1 2 3 |                                   |
| 09A  |      | 00003133230 | CHAVETA VOLTE.MAGN.P.REC.MCH.<br>SPINA VOLANO MAGNETICO .P.REC.<br>KEY, FLYWHEEL              | KEIL<br>CLAVETTE VOLANT MAGNETIQUE        | 1 2 3 |                                   |
| 10A  |      | 00003133260 | TORNILLO FIJ.VOLTE.MAGN.5M80X10<br>VITE<br>SCREW  | SCHRAUBE<br>VIS                           | 1 2 3 |                                   |



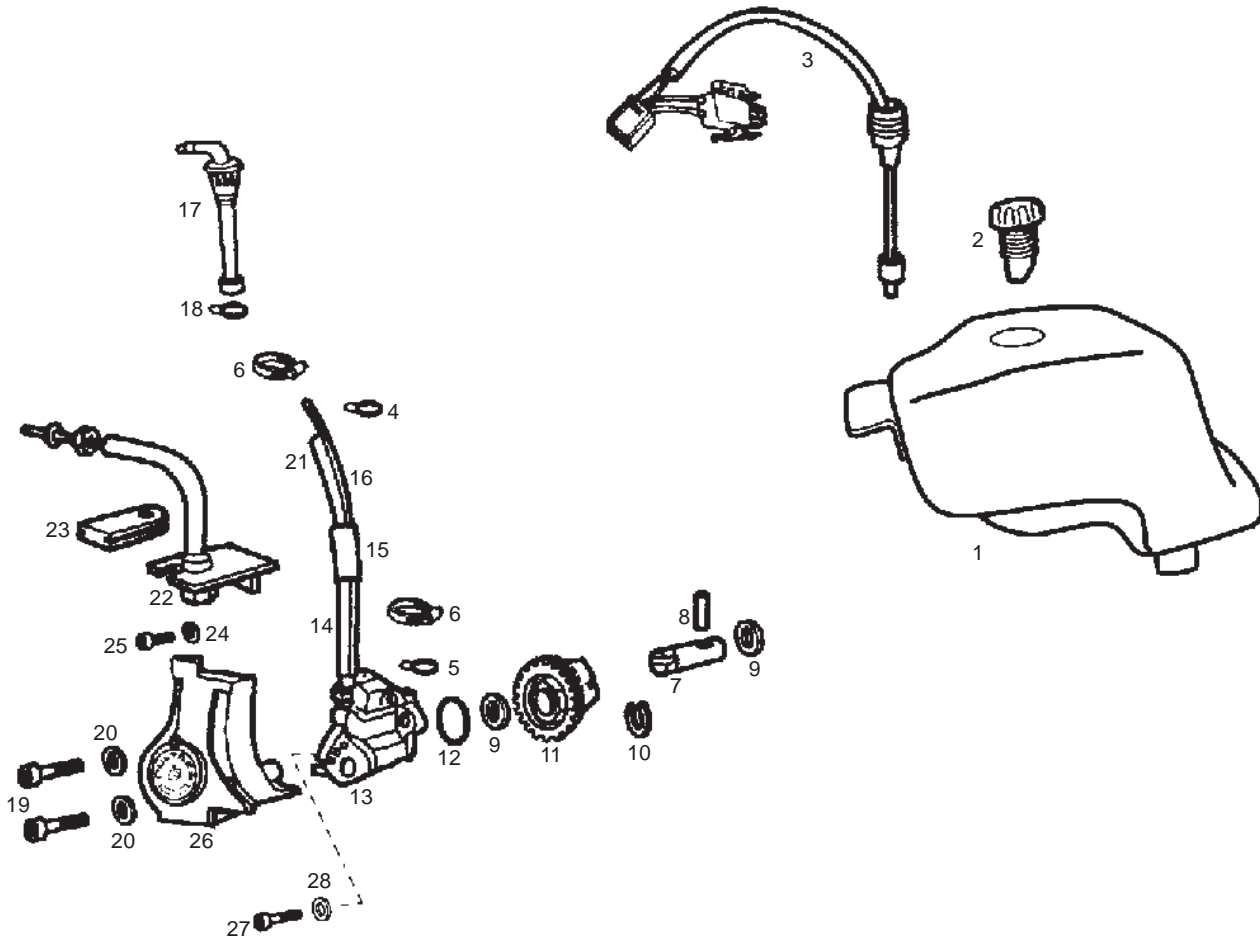
| Fig. | Ver. | COD. KOD.   | DESCRIPCIÓN DENOMINAZIONE NAME                                  | BEZEICHNUNG DESIGNATION | MOD.  | NOTAS NOTES NOTA MITSCHRIFT NOTES |
|------|------|-------------|---|-------------------------|-------|-----------------------------------|
| 11A  |      | 00G06800021 | SCTO TORNILLO 6M100X20 NG<br>VITE<br>SCREW                      | SCHRAUBE<br>VIS         | 1 2 3 |                                   |
| 12A  |      | 00D01501371 | TUERCA FIJ.CUBRECAD.212827<br>DADO<br>NUT                       | MUTTER<br>ECTROU        | 1 2 3 |                                   |
| 13A  |      | 00G03301401 | BATERIA<br>BATTERIA<br>BATTERY                                  | BATTERIE<br>BATTERIE    | 1 2 3 |                                   |
| 14A  |      | 00F00900531 | BRIDA UNECABLES NEGRA<br>FLANGIA UNIONE CAVI<br>BLACK CABLE TIE | KABELBINDER<br>COLLIER  | 1 2 3 |                                   |



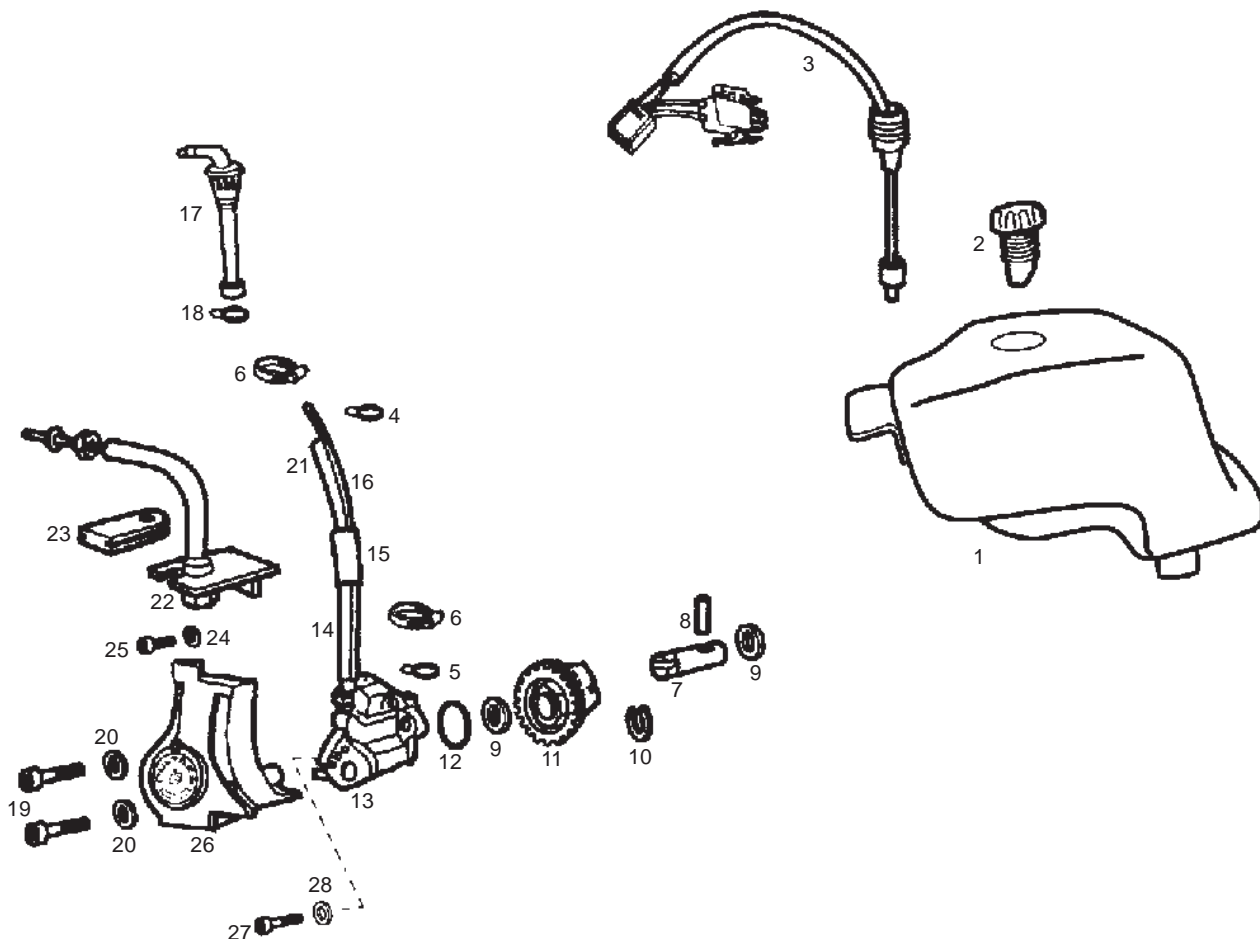
| Fig. | Ver. | COD. KOD.   | DESCRIPCIÓN DENOMINAZIONE NAME   | BEZEICHUNG DESIGNATION                    | MOD.  | NOTAS NOTES NOTA MITSCHRIFT NOTES |
|------|------|-------------|--|---|-------|-----------------------------------|
| 01A  |      | 00H03443081 | SCTO. TUBO ESCAPE<br>TUBO DI SCARICO<br>EXHAUST PIPE                         | AUSPUFF<br>ECHAPPEMENT                    | 1 2   |                                   |
| 01B  |      | 00H03448081 | SCTO. TUBO ESCAPE ESCANDINAVIA<br>TUBO DI SCARICO<br>EXHAUST PIPE            | AUSPUFF<br>ECHAPPEMENT                    | 3     |                                   |
| 02A  |      | 00H03427411 | SCTO.SORDINA<br>SORDINA<br>EXHAUST TANK                                      | SCHALLDAMPFER<br>SILENCIEUX DIECHAPPEMENT | 1 2 3 |                                   |
| 03A  |      | 00H01505541 | SCTO. SOPORTE SILENCIOSO<br>SUPPORTO TUBO DI SCARICO<br>EXHAUST PIPE SUPPORT | AUSPUFFSTUTZE<br>SUPPORT ECHAPPEMENT      | 1 2 3 |                                   |
| 04A  |      | 00002062011 | TORNILLO 6M100X20 Zn.B<br>VITE<br>SCREW                                      | SCHRAUBE<br>VIS                           | 1 2 3 |                                   |
| 05A  |      | 00012082001 | TORNILLO 8M125X20 Zn.B<br>VITE<br>SCREW                                      | SCHRAUBE<br>VIS                           | 1 2 3 |                                   |
| 06A  |      | 00D05910081 | SCTO. TORNILLO FIJACION SORDINA<br>VITE<br>SCREW                             | SCHRAUBE<br>VIS                           | 1 2 3 |                                   |
| 07A  |      | 00026008001 | TUERCA EXAG C/BRIDA.8M125 ZnB<br>DADO<br>NUT                                 | MUTTER<br>ECTROU                          | 1 2 3 |                                   |
| 08A  |      | 00H03404321 | JUNTA<br>GUARNIZIONE<br>GASKET   | DICHTUNG<br>JOINT                         | 1 2 3 |                                   |
| 09A  |      | 00012151500 | TORNILLO M5X16<br>VITE<br>SCREW  | SCHRAUBE<br>VIS                           | 1 2 3 |                                   |
| 10A  |      | 00D02600631 | ARANDELA<br>RONDELLA<br>WASHER   | SCHEIBE<br>RONDELLE                       | 1 2 3 |                                   |



| Fig. | Ver. | COD. KOD.   | DESCRIPCIÓN DENOMINAZIONE NAME                                     | BEZEICHNUNG DESIGNATION              | MOD.  | NOTAS NOTES NOTA MITSCHRIFT NOTES |
|------|------|-------------|--|--------------------------------------|-------|-----------------------------------|
| 11A  |      | 00H01500691 | TUERCA DADO NUT  | MUTTER ECTROU                        | 1 2 3 |                                   |
| 12A  |      | 00G03900821 | TORNILLO FIJACION 6X30 ZnB VITE SCREW                              | SCHRAUBE VIS                         | 1 2 3 |                                   |
| 13A  |      | 00D01200171 | ARANDELA RONDELLA WASHER   | SCHEIBE RONDELLE                     | 1 2 3 |                                   |
| 14A  |      | 00H04200281 | ARANDELA FIJACION SORDINA RONDELLA WASHER                          | SCHEIBE RONDELLE                     | 1 2 3 |                                   |
| 15A  |      | 00E03300691 | TOPE GOMA GOMMA RUBBER   | GUMMISTOPPEL CAOUTCHOUC              | 1 2 3 |                                   |
| 16A  |      | 00000023060 | TUERCA AUTOBLOC. 6M125 DADO NUT                                    | MUTTER ECTROU                        | 1 2 3 |                                   |
| 17A  |      | 00H01809391 | PROTECTOR ESCAPE PROTEZIONE TUBO DI SCARICO EXHAUST PIPE PROTECTOR | AUSPUFF SHUTZ PROTECTEUR ECHAPPEMENT | 1 2 3 |                                   |
| 18A  |      | 00012041200 | TORNILLO M4 X 12 VITE SCREW  | SCHRAUBE VIS                         | 1 2 3 |                                   |
| 19A  |      | 00F04201361 | ARANDELA RONDELLA WASHER   | SCHEIBE RONDELLE                     | 1 2 3 |                                   |
| 20A  |      | 00000031040 | ARANDELA RONDELLA WASHER   | SCHEIBE RONDELLE                     | 1 2 3 |                                   |
| 21A  |      | 00G01001821 | CASQUILLO GHIERA COLLAR  | GEWINDERING DOUILLE                  | 1 2 3 |                                   |

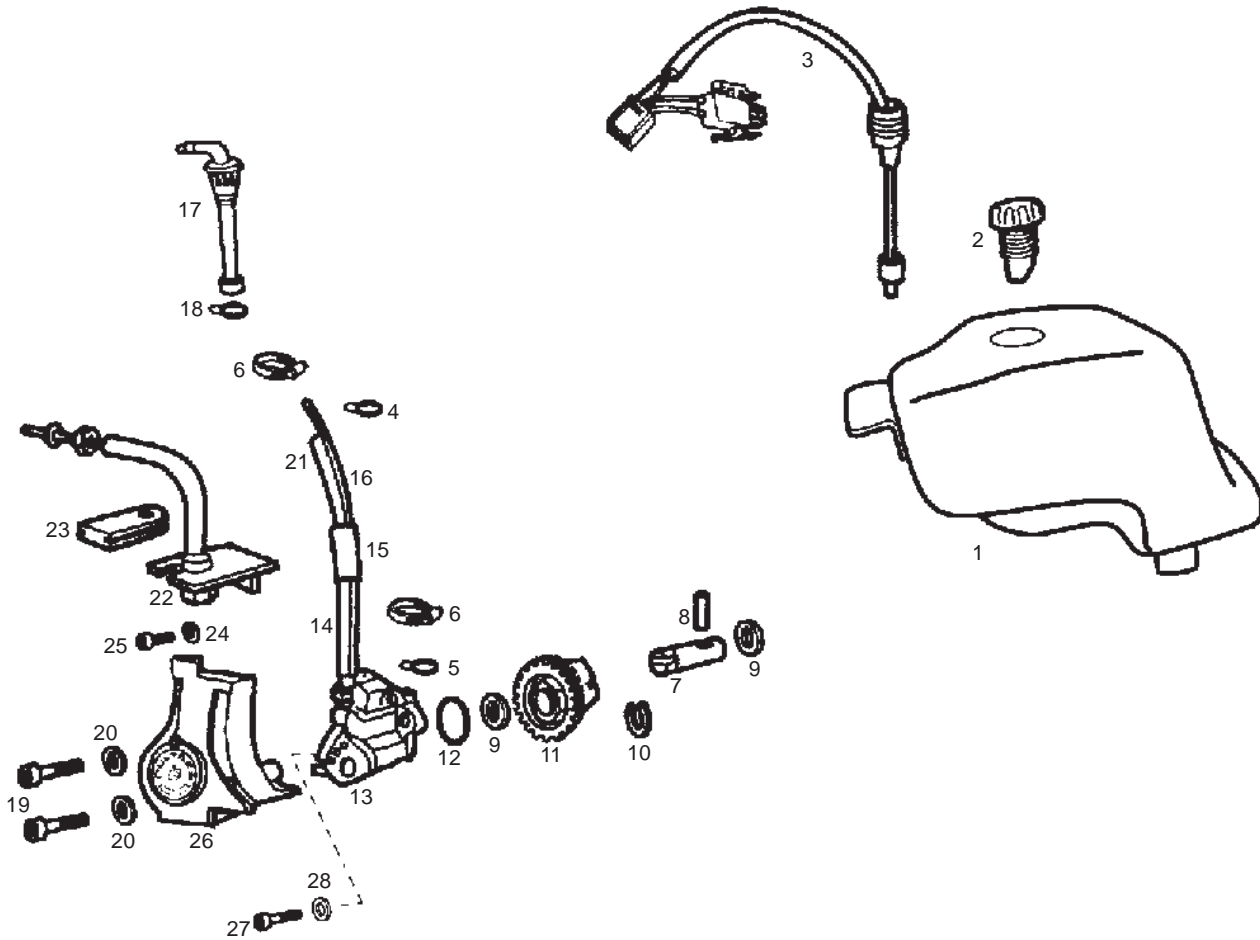


| Fig. | Ver. | COD. KOD.   | DESCRIPCIÓN DENOMINAZIONE NAME  | BEZEICHUNG DESIGNATION                               | MOD.  | NOTAS NOTES NOTA MITSCHRIFT NOTES |
|------|------|-------------|---|--|-------|-----------------------------------|
| 01A  |      | 00H03704081 | SCTO.DEPOSITO ACEITE. SUBSERBATOIO OLIO SE OIL, TANK                                      | OILTANK RESERVOIR D,HUILLE                           | 1 2 3 |                                   |
| 02A  |      | 00F03710241 | CTO.TAPON DEPTO.ACTE.SCO/90. TAPPO SERBATOIO OLIO OIL RESERVOIR FILLER PLUG ASSY          | STOPFEN OELTANK ENS. BOUCHON RESERV.HUILLE S         | 1 2 3 |                                   |
| 03A  |      | 00H03703051 | CTO. INDICAD. NIVEL ACEITE TAPPO SERBATOIO OLIO OIL RESERVOIR FILLER PLUG ASSY            | OLSTANDSGEBER NIVEAU D#HUILLE                        | 1 2 3 |                                   |
| 04A  |      | 00H00400501 | ABRAZADERA ELASTICA FASCETTA ELASTICA TUBO BENZINA FUEL PIPE ELASTIC CLAMP                | ELAST.KLAMMER GASLEITUNG CRAMPON ELASTIQUE TUBE ESSE | 1 2 3 |                                   |
| 05A  |      | 00F03710131 | ABRAZADERA ELASTICA FASCETTA ELASTICA TUBO BENZINA FUEL PIPE ELASTIC CLAMP                | ELAST.KLAMMER GASLEITUNG CRAMPON ELASTIQUE TUBE ESSE | 1 2 3 |                                   |
| 06A  |      | 00H03700211 | BRIDA FIJACION TUBO GHIERA FISSAGGIO TUBO OLIO AD COLLAR OIL FLEXIBLE TUBE                | BEF.-SHELLE BRIDE TUYAU D4HUILLE                     | 1 2 3 |                                   |
| 07A  |      | 00H03700101 | EJE BOMBA ACEITE.74/80CC. ASSE POMPA OLIO 74/80CC PUMPOIL AXLE                            | OLPUMPUNACHSE AXE DE POMPE D,HUILLE                  | 1 2 3 |                                   |
| 08A  |      | 00053030000 | PASAD.SUJ.ESPIR.3,-X20.D-7343. CHIAVISTELLO SOSTEGNO SPIRALE FORK PIN                     | STIFT GOUDILLE                                       | 1 2 3 |                                   |
| 09A  |      | 00H05000281 | ARANDELA TOPE PIÑON INTERMD.74/80 RONDELLA WASHER   | SCHEIBE RONDELLE                                     | 1 2 3 |                                   |
| 10A  |      | 00000047110 | ANILLO SEG.EJES D10.DIN-471. ANELLO SICUREZZA ASSI D10 D-47 CIRCLIP, BRAKE SHOE RETENTION | SEEGERRING CIRCLIP POUR AXE D10                      | 1 2 3 |                                   |
| 11A  |      | 00H03800381 | PIÑON BOMBAS AGUA /ACEITE 80 C.C. PIGNONE ACQUA/OLIO 80 C.C. PUMP OIL GEAR                | ZAHNRAD PIGNON POMPE D,HUILLE                        | 1 2 3 |                                   |

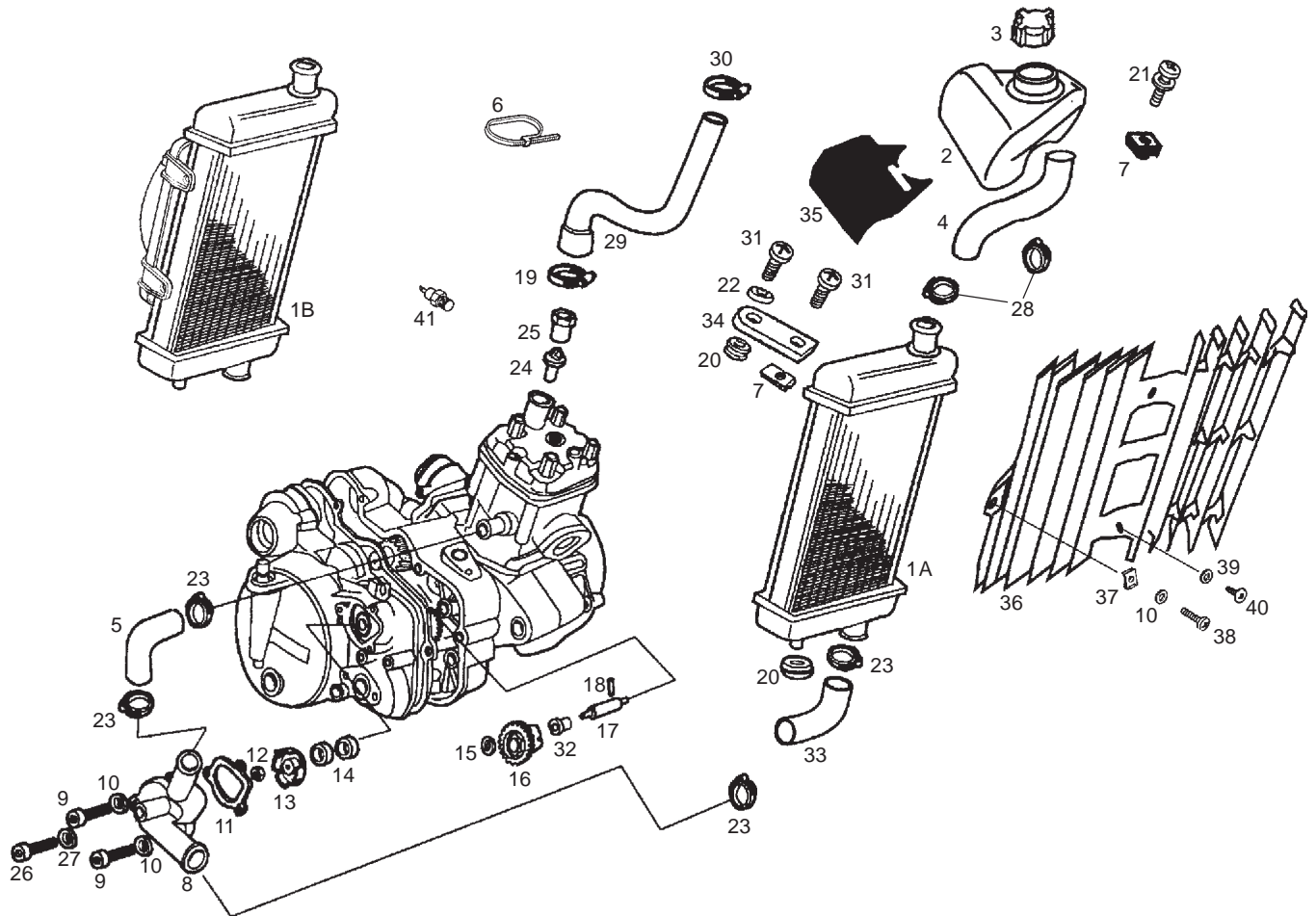


| Fig. | Ver. | COD. KOD.   | DESCRIPCIÓN DENOMINAZIONE NAME  | BEZEICHNUNG DESIGNATION                            | MOD.  | NOTAS NOTES NOTA MITSCHRIFT NOTES |
|------|------|-------------|---|--|-------|-----------------------------------|
| 12A  |      | 00H03701041 | JUNTA TORICA BOMBA ACTE. GIUNTO TORICO POMPA OLIO O RING                                  | RING PFROPFENSCHRAUBE JOINT                        | 1 2 3 |                                   |
| 13A  |      | 00H03704021 | CTO BOMBA ACEITE POMPA OLIO OIL PUMP  | OLPUMPE POMPE A HUILLE                             | 1 2 3 |                                   |
| 14A  |      | 00F00406321 | TUBO TUBO PIPE  | ROHR TUYAU   | 1 2 3 |                                   |
| 15A  |      | 00H03700351 | MANGUITO UNION TUB.ACTE.74/80C MANICOTTO UNIONE TUBO OLIO 74/ OIL PIPE COUPLING CONNECTOR | VERBINDUNG MANCHON RACCORD TUYEAU DIHU             | 1 2 3 |                                   |
| 16A  |      | 00H03702121 | TUBO TUBO PIPE  | ROHR TUYAU   | 1 2 3 |                                   |
| 17A  |      | 00G00400501 | ABRAZADERA FIJACION GRIFO FILTRO OLIO BY-PAS OIL FILTER                                   | FILTER FILTRE A HUILLE                             | 1 2 3 |                                   |
| 18A  |      | 00008204500 | ABRAZ.FIJ.GRIFO FASCETTA ELASTICA CLAMP   | BEF.-SCHELLE ENTRETOISE                            | 1 2 3 |                                   |
| 19A  |      | 00002054551 | TORNILLO C/ALLEN.5M80X45 VITE SCREW   | SCHRAUBE VIS                                       | 1 2 3 |                                   |
| 20A  |      | 00000033050 | ARANDELA MUELLE. D.5 RONDELLA WASHER  | SCHEIBE RONDELLE                                   | 1 2 3 |                                   |
| 21A  |      | 00F00403321 | TUBO TUBO PIPE  | ROHR TUYAU   | 1 2 3 |                                   |
| 22A  |      | 00H03700311 | SCTO.SOPTE.GUIA CABLES.74CC. SUBSOSTEGNO GUIDA CA OIL CABLE, SUPPORT                      | HALTER F. KABELFUHRUNG SOUS-ENS SUPPORT CABLE HUIL | 1 2 3 |                                   |

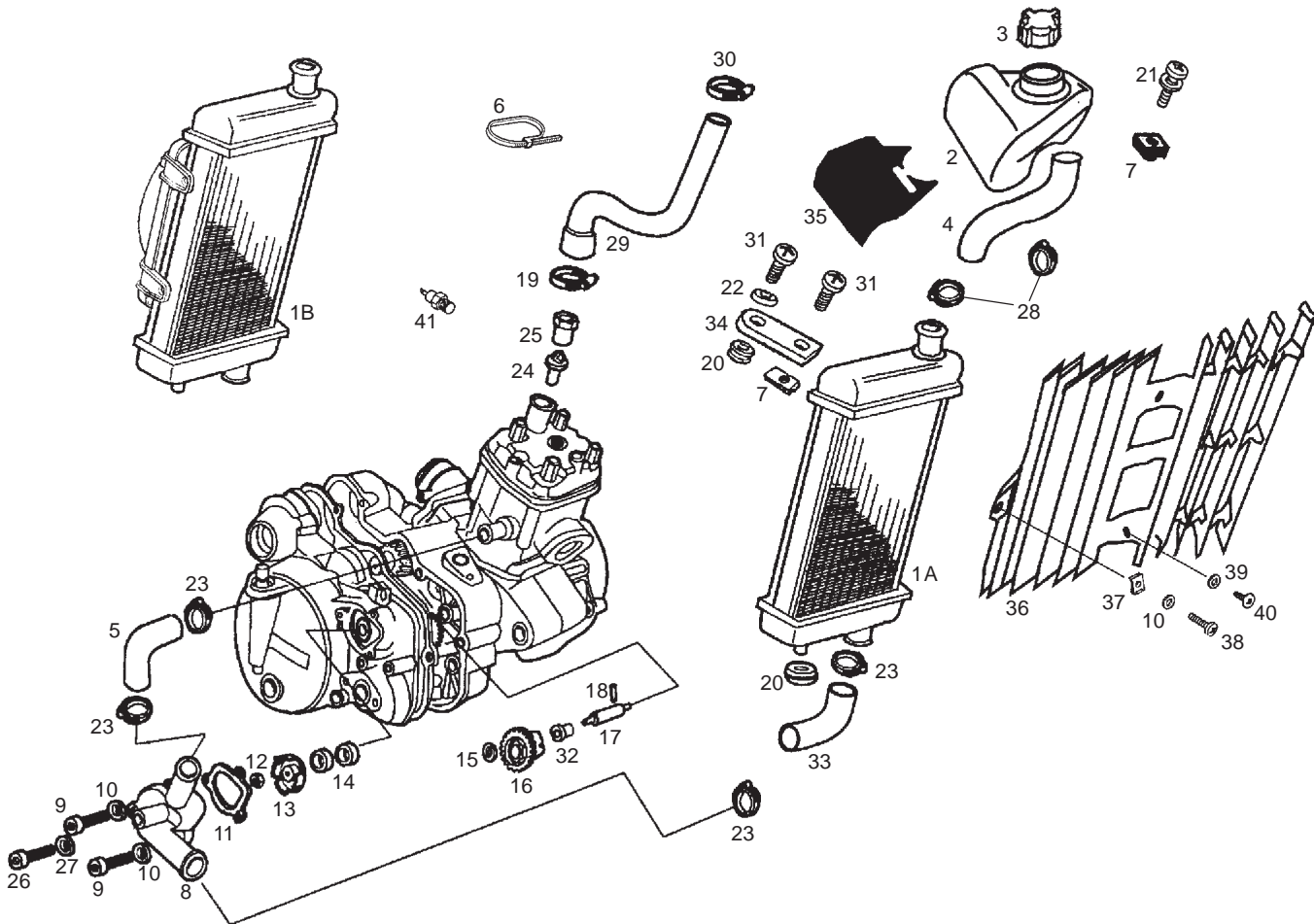




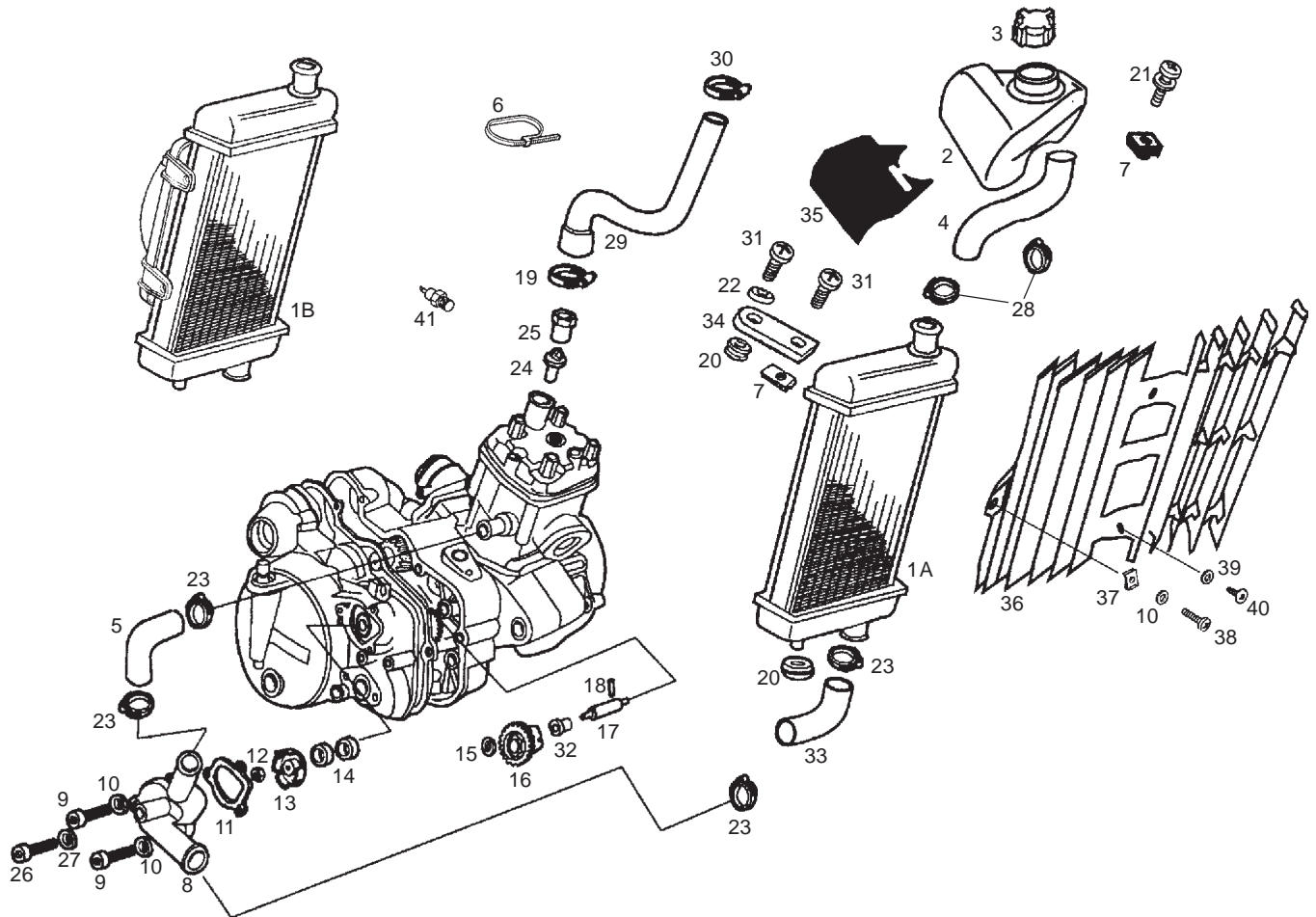
| Fig. | Ver. | COD. KOD.   | DESCRIPCIÓN DENOMINAZIONE NAME  | BEZEICHNUNG DESIGNATION                  | MOD.  | NOTAS NOTES NOTA MITSCHRIFT NOTES |
|------|------|-------------|---|--|-------|-----------------------------------|
| 23A  |      | 00H03700141 | PASACAB.SAL.BOMBA ACTE.74/80CC<br>PASSACAVI USCITA POMPA OLIO<br>RUBBER | GUMMI<br>CAOUTCHOUC                      | 1 2 3 |                                   |
| 24A  |      | 00000031050 | ARANDELA PLANA MEC.D.5<br>RONDELLA<br>WASHER                            | SCHEIBE<br>RONDELLE                      | 1 2 3 |                                   |
| 25A  |      | 00000004510 | TORNILLO C/ALLEN.5M80X10<br>VITE<br>SCREW                               | SCHRAUBE<br>VIS                          | 1 2 3 |                                   |
| 26A  |      | 00H03705011 | TAPA BOMBA ACEITE<br>CORPECHIO POMPA OLIO<br>OIL PUMP HOUSING COVER     | ABDECKUNG<br>COUVERCLE DE POMPE A HUILLE | 1 2 3 |                                   |
| 27A  |      | 00002051551 | TORNILLO 5M80X15 ZnB<br>VITE<br>SCREW                                   | SCHRAUBE<br>VIS                          | 1 2 3 |                                   |
| 28A  |      | 00000031050 | ARANDELA PLANA D5<br>RONDELLA<br>WASHER                                 | SCHEIBE<br>RONDELLE                      | 1 2 3 |                                   |



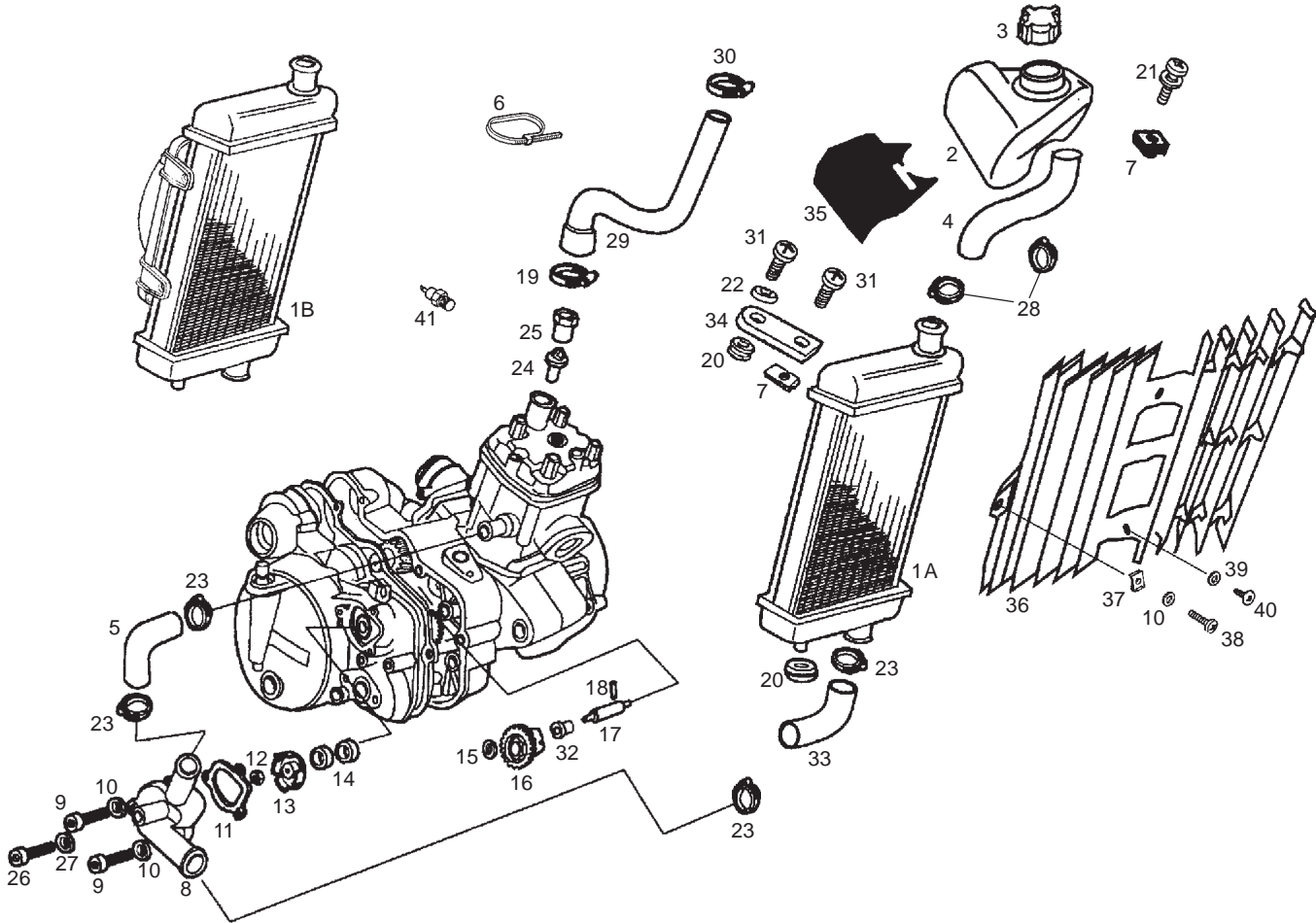
| Fig. | Ver. | COD. KOD.   | DESCRIPCIÓN DENOMINAZIONE NAME   | BEZEICHUNG DESIGNATION                          | MOD.  | NOTAS NOTES NOTA MITSCHRIFT NOTES |
|------|------|-------------|--|---|-------|-----------------------------------|
| 01A  |      | 00H03805011 | SCTO.RADIADOR SUBRADIATORE RADIATOR ASSY.  | RADIATOR ASSY. RADIATEUR                        | 1     |                                   |
| 01B  |      | 00H03802541 | SCTO.RADIADOR SUBRADIATORE RADIATOR ASSY.  | RADIATOR ASSY. RADIATEUR                        | 2 3   |                                   |
| 02A  |      | 00H03802501 | DEPOSITO AGUA RADIADOR. SERBATOIO ACQUA RADIATORE WATER TANK                     | WASSERBEHALTER VASE DI EXPANSION                | 1 2 3 |                                   |
| 03A  |      | 00H03802472 | CTO.TAPON RADIAD/DEP.AG. TAPPO RADIATORE/SERBATOIO WATER RESERVOIR/RAD CAP ASSY  | KUEHLERDECKEL BOUCHON DE RESERVOIR D,EAU        | 1 2 3 |                                   |
| 04A  |      | 00G03800601 | TUBO REFR.BOMBA-RADIAD. TUBO REFRIGERAZIONE POMPA-RADI RADIATOR PUMP RUBBER TUBE | KUHLMITTELSCHLAUCH PUMPE K TUBE POMPE-RADIATEUR | 1 2 3 |                                   |
| 05A  |      | 00H03801041 | TUBO REFR.BOMBA-CILIND. TUBO REFRIGERAZIONE PUMP CILINDER RUBBER TUBE            | KUHLMITTELSCHLAUCH PUMPE-Z TUBE POMPE-CYLINDRE  | 1 2 3 |                                   |
| 06A  |      | 00A00900531 | BRIDA FLANGIA TIE  | BINDER COLLIER                                  | 2 3   |                                   |
| 07A  |      | 00D01501371 | TUERCA FIJACION D6 DADO NUT  | MUTTER ECTROU                                   | 1 2 3 |                                   |
| 08A  |      | 00H03800134 | TAPA BOMBA AGUA COPERCHIO POMPA ACQUA 74/80CC WATER PUMP COVER                   | DECKEL F. WASSERPUMPE COUVERCLE DE POMPE D,EAU  | 1 2 3 |                                   |
| 09A  |      | 00002052051 | TORNILLO C/ALLEN 5M80X15 VITE SCREW  | SCHRAUBE VIS                                    | 1 2 3 |                                   |
| 10A  |      | 00000031050 | ARANDELA PLANA MEC.D.5 RONDELLA WASHER   | SCHEIBE RONDELLE                                | 1 2 3 |                                   |



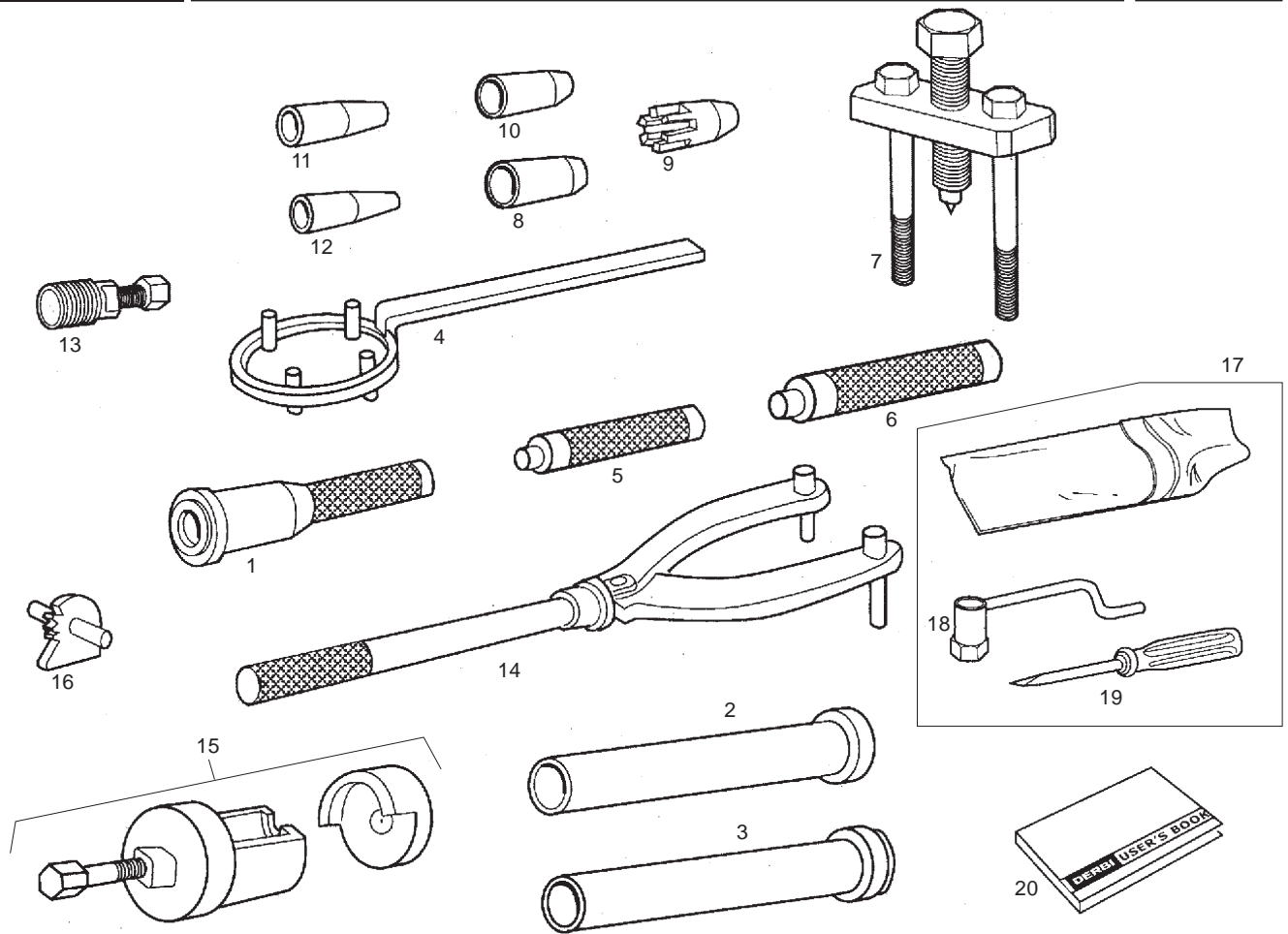
| Fig. | Ver. | COD. KOD.   | DESCRIPCIÓN DENOMINAZIONE NAME   | BEZEICHNUNG DESIGNATION                       | MOD.  | NOTAS NOTES NOTA MITSCHRIFT NOTES |
|------|------|-------------|--|---|-------|-----------------------------------|
| 11A  |      | 00H03800141 | JUNTA TAPA BOMBA AGUA<br>GUARNIZIONE COPERCHIO POMPA AC<br>GASKET                  | DICHTUNG F. WASSERPUMPENDE<br>JOINT POMPE EAU | 1 2 3 |                                   |
| 12A  |      | 00M03800221 | TUERCA 5M80 DE LATON<br>DADO<br>NUT  | MUTTER<br>ECTROU                              | 1 2 3 |                                   |
| 13A  |      | 00H03800151 | RODETE BOMBA AGUA<br>ROCCHETTO POMPA ACQUA 80CC<br>WATER PUMP ROLLER               | LAUFER F. WASSERPUMP<br>CHIGNON POMPE D,EAU   | 1 2 3 |                                   |
| 14A  |      | 00H03810211 | RETEN EJE BOMBA AGUA 10X24X6<br>GIUNTO TENUTA POMPA ACQUA 10X2<br>SEAL, WATER PUMP | DICHTRING<br>BUTEE POMPE A EAU (UNITE)        | 1 2 3 |                                   |
| 15A  |      | 00H05000281 | ARANDELA TOPE PIÑON INTERMD.<br>RONDELLA<br>WASHER                                 | SCHEIBE<br>RONDELLE                           | 1 2 3 |                                   |
| 16A  |      | 00H03800381 | PIÑON BOMBAS AGUA/ACEITE<br>PIGNONE POMPE ACQUA/OLIO 80CC<br>PUMP OIL GEAR         | ZAHNRAD<br>PIGNON POMPE D,HUILLE              | 1 2 3 |                                   |
| 17A  |      | 00H03800161 | EJE BOMBA AGUA<br>ASSE POMPA ACQUA 74/80CC<br>WATER-PUMP SHAFT                     | WASSERPUMPENACHSE<br>AXE POMPE D,AEU          | 1 2 3 |                                   |
| 18A  |      | 00053030000 | PASAD.SUJ.ESPIR.3,-X20.D-7343.<br>CHIAVISTELLO SOSTEGNO SPIRALE<br>FORK PIN        | STIFT<br>GOUDILLE                             | 1 2 3 |                                   |
| 19A  |      | 00H03800451 | ABRAZ.GRIFO GASOL.D20<br>FASCETTA RUBINETTO BENZINA .D2<br>PETROL VALVE CLAMP      | BEF. SCHELLE<br>COLLIER                       | 1 2 3 |                                   |
| 20A  |      | 00008915020 | PROTECCION CABLES.<br>PROTEZIONE CAVI<br>RUBBER,CABLE PROTECTOR                    | GUMMI<br>PASSE-CABLE                          | 1 2 3 |                                   |
| 21A  |      | 00H05900021 | SCTO TORNILLO 6M100X16 NG<br>VITE<br>SCREW   | SCHRAUBE<br>VIS                               | 1 2 3 |                                   |



| Fig. | Ver. | COD. KOD.   | DESCRIPCIÓN DENOMINAZIONE NAME  | BEZEICHUNG DESIGNATION                              | MOD.  | NOTAS NOTES NOTA MITSCHRIFT NOTES |
|------|------|-------------|---|---|-------|-----------------------------------|
| 22A  |      | 00D01500552 | CAZLTA.FIJ.SILENC. SCADELLINO FISSAGGIO HOUSING EXHAUST PIPE SUPPORT                    | ABDECKSCHEIBE CUVETTE                               | 1 2 3 |                                   |
| 23A  |      | 00H03800751 | ABRAZ.FIJ.MANG.A CILINDRO D21 FASCETTA FISSAGGIO TUBO COBRA CLAMP                       | BEF.-SHELLE COLLIER COBRA 21/8 W4                   | 1 2 3 |                                   |
| 24A  |      | 483395      | INTERRUPTOR TERMICO TERMOSTATO.74/80CC. THERMOSTATE.                                    | THERMOSTAT THERMOSTAT                               | 1 2 3 |                                   |
| 25A  |      | 00H03810421 | TUERCA FIJ.TERMOSTATO DADO NUT  | MUTTER ECTROU                                       | 1 2 3 |                                   |
| 26A  |      | 00002051251 | TORNILLO C/ALLEN 5M80X12 VITE SCREW   | SCHRAUBE VIS  | 1 2 3 |                                   |
| 27A  |      | 00H03800441 | ARANDELA TOR.VACIADO AGUA RONDELLA WASHER   | SCHEIBE RONDELLE                                    | 1 2 3 |                                   |
| 28A  |      | 00G03801701 | ABRAZ.FIJ.MANG.RADIAD.D25 FASCETTA FISSAGGIO MANICA RADI CLAMP FASTERING RADIATOR BUSHI | OIL TANK FLANGE TUBE BRIDE TUBE RESPIRATION RÏSERVO | 1 2 3 |                                   |
| 29A  |      | 00H03804021 | TUBO CULATA-RADIADOR TUBO TESTATA-RACCORDO TERMOCON CYLINDER HEAD PIPE-TERMOCONTAC      | WASSERSCHLAUCH TUBE                                 | 1 2 3 |                                   |
| 30A  |      | 00008204500 | ABRAZADERA FIJ. 16-27 FLANGIA FISSAGGIO SECURING CLAMP                                  | BEF.-SHELLE COLLIER COBRA 21/8 W4                   | 1 2 3 |                                   |
| 31A  |      | 00092061214 | TORNILLO C/R.CR.6M100X12.NG. VITE SCREW   | SCHRAUBE VIS  | 1 2 3 |                                   |
| 32A  |      | 00H03800231 | CASQ.EJES BOMBAS GHIERA ASSI POMPE 74 CC PUMP SHAFT BUSHING 74CC                        | BUCHSE PUMPENACHSEN DOUILLES AXES POMPES            | 1 2 3 |                                   |

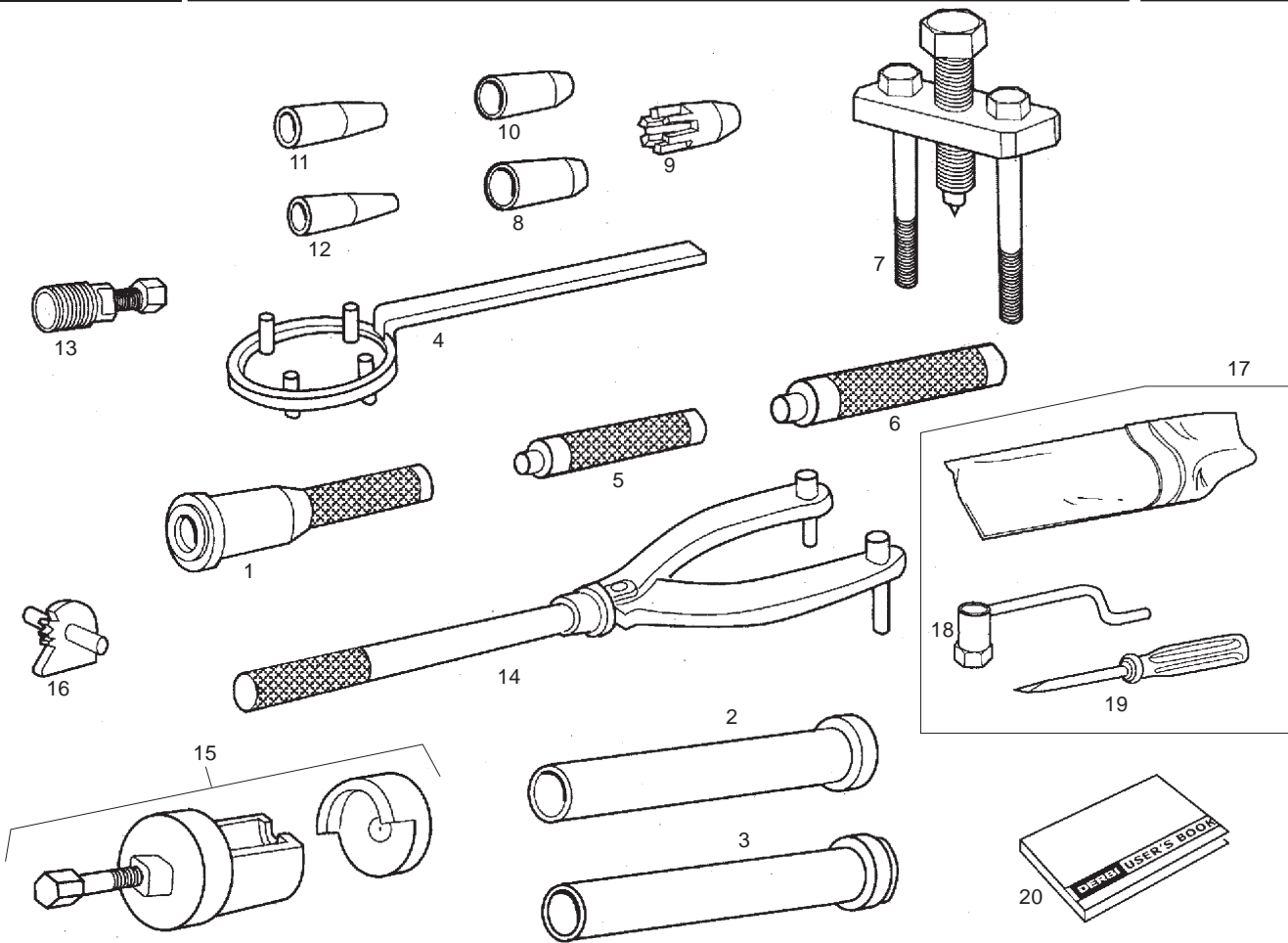


| Fig. | Ver. | COD. KOD.   | DESCRIPCIÓN DENOMINAZIONE NAME  | BEZEICHNUNG DESIGNATION                             | MOD.  | NOTAS NOTES MITSCHRIFT NOTES |
|------|------|-------------|---|---|-------|------------------------------|
| 33A  |      | 00H03802031 | TUBO REFR.BOMBA-RADIADOR<br>TUBO REFRIGERAZIONE POMPA-RADI<br>RADIATOR PUMP RUBBER TUBE | KUHLMITTELSCHLAUCH PUMPE K<br>TUBE POMPE-RADIATEUR  | 1 2 3 |                              |
| 34A  |      | 00G02200692 | OREJA SUP. SOPTE. RADIADOR<br>PIASTRA SUPPORTO SUPERIORE<br>UPPER RADIATOR SUPPORT      | OESE KUEHLERBLOCK<br>OREILLE SUPERIEURE SUPPORT RAD | 1 2 3 |                              |
| 35A  |      | 00H03801711 | CALCA DEPOSITO AGUA<br>ADESIVO<br>DECAL   | SCHRIFTZUG<br>ADHESIF                               | 1 2 3 |                              |
| 36A  |      | 00H03805301 | REJILLA RADIADOR<br>GRIGLIA RADIATORE<br>RADIATOR GRID                                  | RADIATOR<br>RADIATEUR                               | 1 2 3 |                              |
| 37A  |      | 00G04401462 | TUERCA FIJ.CUBRECAD.<br>DADO<br>NUT   | MUTTER<br>ECTROU                                    | 1 2 3 |                              |
| 38A  |      | 00012151500 | TORNILLO C/RED.ALL.5M100X16<br>VITE<br>SCREW  | SCHRAUBE<br>VIS                                     | 1 2 3 |                              |
| 39A  |      | 00D02600631 | ARANDELA TOPE MUELLE<br>VITE<br>SCREW   | SCHRAUBE<br>VIS                                     | 1 2 3 |                              |
| 40A  |      | 00011141300 | TORNILLO AUTOROSCANTE C/CR 4,8X13<br>RONDELLA<br>WASHER                                 | SCHEIBE<br>RONDELLE                                 | 1 2 3 |                              |
| 41A  |      | 00G03800741 | TERMOCONTACTO<br>TERMOCONTATTO<br>THERMOCONTACT   | THEMPERATURFUHLER<br>THERMOCONTACTEUR               | 2 3   |                              |



| Fig. | Ver. | COD. KOD.   | DESCRIPCIÓN DENOMINAZIONE NAME  | BEZEICHUNG DESIGNATION                                | MOD.  | NOTAS NOTES NOTA MITSCHRIFT NOTES |
|------|------|-------------|---|---|-------|-----------------------------------|
| 01A  |      | 00H05400451 | R-PUNZON MONT.RETENES CIGÜEÑAL<br>R-PUNTERUOLO MONTAGGIO GIUNTI<br>PUNCH FIXING CRANKCASE SEAL    | DURCHSCHLAG<br>OUTIL MONTAGE ANNEAU AXE VI            | 1 2 3 |                                   |
| 02A  |      | 00H05400581 | R-UTIL MONTAR RETEN EJE ARRQ.<br>UTENSILE MONTAGGIO GIUNTI TENU<br>TOOLS FOR FIXING IN STARTING   | MONTAGEHULSE<br>OUTIL MONTAGE ANNEAU AXE DE           | 1 2 3 |                                   |
| 03A  |      | 00H05401561 | R-UTIL MONT.RETEN EJE SELECT.<br>R-UTILE MONTAGGIO GIUNTO TENUT<br>TOOL FOR FIXING SEAL IN SELEC  | MONTAGEHULSE<br>OUTIL MONTAGE ANNEAU AXE SE           | 1 2 3 |                                   |
| 04A  |      | 00H05300041 | R-CTO.UTIL.FIJ.CAMPNA EMBG.<br>R-UTILE FISSAGGIO CA<br>CLUTCH HOUSING HOLDER                      | BEF.-WKZG.KUPPLUNGSGLOCKE<br>OUTIL FIXATION EMBRAYAGE | 1 2 3 |                                   |
| 05A  |      | 00H05600251 | R-UTIL MONT.CASQ.AGUJ.PIÑ.INTM<br>R-UTILE MONTAGGIO GHIERA FORO<br>TOOLS FOR FIXING BUSHING NEEDL | MONTAGEHULSE<br>OUTIL MONTAJE                         | 1 2 3 |                                   |
| 06A  |      | 00H05600241 | R-UTIL MONT.CASQ.AGUJ.EJE 1P.<br>R-UTILE MONTAGGIO GHIERA FORO<br>TOOLS FOR FIXING BUSHING NEEDL  | MONTAGEHULSE<br>OUTILLAGE MONTAGE DOUILLE A           | 1 2 3 |                                   |
| 07A  |      | 00H05300151 | R-CTO.UTIL.ABRIR MOTOR<br>R-UTILE APRIRE MOTOR<br>TOOLS OPEN ENGINE ASSY                          | WKZG.Z.MOTOR OFFNEN<br>ENSEMBLE OUTILLAGE OUVRIR M    | 1 2 3 |                                   |
| 08A  |      | 00H05300841 | CASQ. GUIA RETEN CIGÜEÑAL<br>R-UTILE APRIRE MOTOR<br>TOOLS OPEN ENGINE ASSY                       | WKZG.Z.MOTOR OFFNEN<br>ENSEMBLE OUTILLAGE OUVRIR M    | 1 2 3 |                                   |
| 09A  |      | 00H05600351 | PIVOTE GUIA RET.EJE SECUND.<br>PERNO GUIDA GIUNTO TENUTA ASSE<br>PIVOT GUIDE SECONDARY AXEL,S     | FUHRUNGSZAPFEN<br>PIVOT GUIDE JOINT AXE SECON         | 1 2 3 |                                   |
| 10A  |      | 00H05600341 | PIVOTE GUIA RET.EJE ARRQ.<br>PERNO GUIDA GIUNTO TENUTA ASSE<br>PIVOT GUIDE STARTING AXEL,S SE     | FUHRUNGSZAPFEN<br>PIVOT GUIDE JOINT AXE DEMAR         | 1 2 3 |                                   |
| 11A  |      | 00H05600331 | PIVOTE GUIA RET.EJE DESEMB.<br>PERNO GUIDA GIUNTO TENUTA ASSE<br>PIVOT GUIDE SEAL OF CLUTCH REL   | FUHRUNGSZAPFEN<br>PIVOT GUIDE JOINT AXE DEBRA         | 1 2 3 |                                   |





| Fig. | Ver. | COD. KOD.   | DESCRIPCIÓN DENOMINAZIONE NAME  | BEZEICHNUNG DESIGNATION                                  | MOD.  | NOTAS NOTES NOTA MITSCHRIFT NOTES |
|------|------|-------------|---|--|-------|-----------------------------------|
| 12A  |      | 00H05600261 | PIVOTE GUIA RET.EJE BOMBA AGUA<br>PERNO GUIDA GIUNTO TENUTA ASSE<br>PIVOT GUIDE SEAL WATER PUMP | FUHRUNSZAPFEN<br>PIVOT GUIDE JOINT POMPE D,E             | 1 2 3 |                                   |
| 13A  |      | 00F05300021 | EXTRAC.VOLTE.ELECTR.DCT.SCO-50<br>ESTRATTORE VOLANO E<br>FLYWHEEL ELECTR. EXTRACTOR             | ABZIEHER<br>EXTRACTEUR DE VOLANT                         | 1 2 3 |                                   |
| 14A  |      | 00G05300011 | CTO. UTIL DESMTAR.VOLTE.ELECTR.<br>CHIAVE VOLANO MAG/CAMPANA FR.<br>MAGNETO EXTRACTOR TOOL      | WERKZEUG Z.DEMONTAGE ELEKT<br>ENS.UTIL DEMONTER VOLANT E | 1 2 3 |                                   |
| 15A  |      | 00H05600321 | CTO. EXTRACTOR<br>ESTRATTORE PIGNONE<br>COUNTERWEIGHT SPROKET PULLER                            | RITZELHALTER<br>ESSEMBLE EXTRACTEUR PIGNON               | 1 2 3 |                                   |
| 16A  |      | 00H05600231 | R-SCTO. EJE PIÑON CONTRAPESO<br>R-SUBASSE PIGNONE<br>COUNTERWEIGHT SPROKET AXLE                 | BEF.-ACHSEF.RITZEL<br>ENSEMBLE AXE PIGNON CONTREP        | 1 2 3 |                                   |
| 17A  |      | 00H05101561 | CTO. BOLSA HERRTAS.<br>SACCO FERRI<br>TOOL POUCH  | WERKZEUGTASCHE<br>TROUSSE A OUTILS                       | 1 2 3 |                                   |
| 18A  |      | 00H05100011 | SCTO. LLAVE BUJIA AGUA<br>SUBCHIAVE CANDELA SE<br>SPARK PLUG                                    | ZUND KERZENSCHLUSSEL<br>CLE A BOUGIE                     | 1 2 3 |                                   |
| 19A  |      | 00005551290 | DESTORNILLADOR<br>CACCIAVITE<br>SCREW DRIVER  | SCHRAUBENZIEHER<br>TOURNEVIS                             | 1 2 3 |                                   |
| 20A  |      | 00H05152126 | MANUAL INSTRUC. USUARIO<br>LIBRETTI DI ISTRUZIONI<br>USER'S BOOK                                | BEDIENUNGSANLEITUNG<br>MANUEL D'INSTRUCTIONS             | 1 2 3 |                                   |



| CODIGO CODE | Lám. Diagr. | Figr. | Vers. | CODIGO CODE | Lám. Diagr. | Figr. | Vers. | CODIGO CODE | Lám. Diagr. | Figr. | Vers. | CODIGO CODE | Lám. Diagr. | Figr. | Vers. |
|-------------|-------------|-------|-------|-------------|-------------|-------|-------|-------------|-------------|-------|-------|-------------|-------------|-------|-------|
| 00A00900531 | 006         | 21A   |       | 00F03710131 | 004         | 16A   |       | 00H00301801 | 003         | 25A   |       | 00H01203031 | 008         | 22A   |       |
| 00A00900531 | 007         | 38A   |       | 00F03710131 | 022         | 05A   |       | 00H00301831 | 003         | 30A   |       | 00H01204271 | 008         | 02A   |       |
| 00A00900531 | 019         | 21A   |       | 00F03710241 | 022         | 02A   |       | 00H00301851 | 003         | 28A   |       | 00H01206712 | 008         | 03A   |       |
| 00A00900531 | 023         | 06A   |       | 00F04200741 | 004         | 40A   |       | 00H00301861 | 003         | 29A   |       | 00H01207101 | 008         | 10A   |       |
| 00A03000121 | 018         | 08A   |       | 00F04201361 | 021         | 19A   |       | 00H00301871 | 003         | 27A   |       | 00H01211082 | 008         | 06A   |       |
| 00A03000132 | 018         | 27A   |       | 00F05300021 | 024         | 13A   |       | 00H00303892 | 003         | 37A   |       | 00H01212021 | 008         | 16A   |       |
| 00A03001422 | 018         | 07A   |       | 00F05900041 | 005         | 03A   |       | 00H00307332 | 003         | 36A   |       | 00H01215191 | 008         | 13A   |       |
| 00D00200761 | 002         | 16A   |       | 00F05900041 | 007         | 26A   |       | 00H00317971 | 003         | 01A   |       | 00H01218111 | 008         | 09A   |       |
| 00D00900531 | 007         | 03A   |       | 00G00200112 | 002         | 17A   |       | 00H00400501 | 022         | 04A   |       | 00H01301491 | 003         | 39A   |       |
| 00D01000701 | 006         | 24A   |       | 00G00400181 | 004         | 11A   |       | 00H00403831 | 004         | 34A   |       | 00H01301731 | 009         | 21A   |       |
| 00D01100201 | 010         | 04A   |       | 00G00400501 | 004         | 10A   |       | 00H00404051 | 004         | 24A   |       | 00H01302052 | 009         | 08A   |       |
| 00D01200171 | 003         | 14A   |       | 00G00400501 | 022         | 17A   |       | 00H00404687 | 004         | 01A   |       | 00H01303091 | 009         | 22A   |       |
| 00D01200171 | 005         | 17A   |       | 00G01000911 | 007         | 02A   |       | 00H00406011 | 004         | 09A   |       | 00H01303201 | 009         | 02A   |       |
| 00D01200171 | 007         | 23A   |       | 00G01001821 | 021         | 21A   |       | 00H00406521 | 004         | 43A   |       | 00H01303521 | 010         | 28A   |       |
| 00D01200171 | 021         | 13A   |       | 00G01503701 | 010         | 06A   |       | 00H00505077 | 005         | 06A   |       | 00H01303691 | 008         | 12A   |       |
| 00D01300192 | 003         | 06A   |       | 00G02200692 | 023         | 34A   |       | 00H00505087 | 005         | 07A   |       | 00H01303691 | 009         | 20A   |       |
| 00D01301401 | 008         | 07A   |       | 00G03000211 | 018         | 22A   |       | 00H00526221 | 005         | 33A   |       | 00H01304202 | 003         | 02A   |       |
| 00D01303401 | 009         | 14A   |       | 00G03001091 | 018         | 23A   |       | 00H00600341 | 004         | 18A   |       | 00H01304531 | 009         | 09A   |       |
| 00D01500021 | 005         | 20A   |       | 00G03002091 | 018         | 24A   |       | 00H00604141 | 004         | 02A   |       | 00H01304811 | 003         | 40A   |       |
| 00D01500021 | 011         | 05A   |       | 00G03200061 | 019         | 09A   |       | 00H00608169 | 005         | 14A   |       | 00H01306181 | 009         | 04A   |       |
| 00D01500471 | 004         | 32A   |       | 00G03200101 | 019         | 19A   |       | 00H00611521 | 005         | 30A   |       | 00H01306353 | 009         | 13A   |       |
| 00D01500471 | 007         | 22A   |       | 00G03200511 | 019         | 11A   |       | 00H00621011 | 004         | 17A   |       | 00H01306823 | 009         | 16A   |       |
| 00D01500552 | 004         | 29A   |       | 00G03200541 | 019         | 15A   |       | 00H00705121 | 005         | 13A   |       | 00H01309361 | 009         | 12A   |       |
| 00D01500552 | 023         | 22A   |       | 00G03200551 | 019         | 16A   |       | 00H00715341 | 005         | 11A   |       | 00H01315321 | 009         | 11A   |       |
| 00D01501371 | 003         | 12A   |       | 00G03200721 | 019         | 17A   |       | 00H00719022 | 005         | 01A   |       | 00H01325031 | 009         | 06B   |       |
| 00D01501371 | 004         | 28A   |       | 00G03200731 | 019         | 18A   |       | 00H00800422 | 001         | 28A   |       | 00H01331031 | 009         | 06A   |       |
| 00D01501371 | 005         | 08A   |       | 00G03201071 | 019         | 10A   |       | 00H00803082 | 001         | 10A   |       | 00H01500421 | 003         | 33A   |       |
| 00D01501371 | 006         | 34A   |       | 00G03201091 | 019         | 24A   |       | 00H00805072 | 001         | 12A   |       | 00H01500691 | 004         | 36A   |       |
| 00D01501371 | 007         | 28A   |       | 00G03201371 | 019         | 12A   |       | 00H00820011 | 001         | 09A   |       | 00H01500691 | 021         | 11A   |       |
| 00D01501371 | 019         | 27A   |       | 00G03204272 | 004         | 13A   |       | 00H00900191 | 006         | 04A   |       | 00H01501212 | 009         | 18A   |       |
| 00D01501371 | 020         | 12A   |       | 00G03301271 | 020         | 05A   |       | 00H00900251 | 006         | 40A   |       | 00H01501501 | 001         | 30A   |       |
| 00D01501371 | 023         | 07A   |       | 00G03301401 | 020         | 13A   |       | 00H00900281 | 006         | 37A   |       | 00H01501701 | 005         | 09A   |       |
| 00D01520096 | 001         | 20A   |       | 00G03800601 | 023         | 04A   |       | 00H00900741 | 006         | 35A   |       | 00H01501811 | 005         | 25A   |       |
| 00D01540456 | 001         | 21A   |       | 00G03800741 | 023         | 41A   |       | 00H00900771 | 006         | 36A   |       | 00H01501811 | 010         | 24A   |       |
| 00D02600552 | 014         | 12A   |       | 00G03801701 | 023         | 28A   |       | 00H00900871 | 006         | 13A   |       | 00H01502101 | 001         | 29A   |       |
| 00D02600631 | 004         | 44A   |       | 00G03900821 | 018         | 19A   |       | 00H00901261 | 006         | 39A   |       | 00H01502201 | 009         | 17A   |       |
| 00D02600631 | 010         | 21A   |       | 00G03900821 | 021         | 12A   |       | 00H00902351 | 006         | 19A   |       | 00H01502501 | 001         | 32A   |       |
| 00D02600631 | 021         | 10A   |       | 00G04100771 | 019         | 23A   |       | 00H00902511 | 006         | 15A   |       | 00H01502871 | 003         | 16A   |       |
| 00D02600631 | 023         | 39A   |       | 00G04102131 | 019         | 20A   |       | 00H00903293 | 006         | 16A   |       | 00H01503101 | 001         | 31A   |       |
| 00D02820101 | 016         | 02A   |       | 00G04401462 | 005         | 24A   |       | 00H00903501 | 006         | 20A   |       | 00H01503741 | 007         | 15A   |       |
| 00D02910131 | 017         | 04A   |       | 00G04401462 | 007         | 09A   |       | 00H00906013 | 006         | 01A   |       | 00H01505541 | 021         | 03A   |       |
| 00D03210491 | 004         | 27A   |       | 00G04401462 | 010         | 23A   |       | 00H00906081 | 006         | 10A   |       | 00H01506201 | 009         | 17B   |       |
| 00D03700131 | 004         | 12A   |       | 00G04700141 | 008         | 14A   |       | 00H00906203 | 006         | 06A   |       | 00H01508181 | 003         | 11A   |       |
| 00D04000291 | 016         | 32A   |       | 00G04700141 | 010         | 26A   |       | 00H00908301 | 006         | 17A   |       | 00H01511192 | 003         | 24A   |       |
| 00D05700141 | 007         | 11A   |       | 00G05300011 | 024         | 14A   |       | 00H00918751 | 006         | 11A   |       | 00H01513287 | 007         | 05A   |       |
| 00D05900031 | 019         | 26A   |       | 00G06800021 | 020         | 11A   |       | 00H00920171 | 006         | 03A   |       | 00H01536321 | 007         | 41A   |       |
| 00D05910081 | 021         | 06A   |       | 00H00203691 | 002         | 08A   |       | 00H01000131 | 007         | 10A   |       | 00H01600911 | 011         | 04A   |       |
| 00E02500231 | 013         | 13A   |       | 00H00204601 | 002         | 12A   |       | 00H01001701 | 010         | 07A   |       | 00H01615051 | 011         | 06A   |       |
| 00E03300691 | 021         | 15A   |       | 00H00205231 | 002         | 05A   |       | 00H01005311 | 007         | 29A   |       | 00H01630521 | 011         | 01A   |       |
| 00F00400131 | 004         | 07A   |       | 00H00205741 | 002         | 15A   |       | 00H01007841 | 007         | 25A   |       | 00H01635521 | 011         | 01B   |       |
| 00F00400771 | 004         | 08A   |       | 00H00206111 | 002         | 13A   |       | 00H01009321 | 007         | 12A   |       | 00H01701011 | 007         | 32A   |       |
| 00F00403321 | 004         | 14A   |       | 00H00206151 | 002         | 09A   |       | 00H01015011 | 007         | 06A   |       | 00H01704311 | 007         | 30A   |       |
| 00F00403321 | 022         | 21A   |       | 00H00207271 | 002         | 14A   |       | 00H01040301 | 007         | 01A   |       | 00H01706021 | 007         | 31A   |       |
| 00F00406321 | 022         | 14A   |       | 00H00207531 | 002         | 04A   |       | 00H01100172 | 010         | 17A   |       | 00H01800541 | 004         | 25A   |       |
| 00F00900531 | 006         | 18A   |       | 00H00215171 | 002         | 07A   |       | 00H01101731 | 010         | 05A   |       | 00H01801771 | 001         | 15A   |       |
| 00F00900531 | 007         | 39A   |       | 00H00216011 | 002         | 10A   |       | 00H01102072 | 010         | 15A   |       | 00H01802081 | 005         | 15A   |       |
| 00F00900531 | 010         | 10A   |       | 00H00216091 | 002         | 11A   |       | 00H01103211 | 010         | 08A   |       | 00H01804331 | 003         | 08A   |       |
| 00F00900531 | 020         | 14A   |       | 00H00236002 | 002         | 01A   |       | 00H01103611 | 010         | 14A   |       | 00H01809391 | 021         | 17A   |       |
| 00F01811411 | 001         | 33A   |       | 00H00300672 | 008         | 18A   |       | 00H01106181 | 010         | 12A   |       | 00H01974601 | 001         | 01A   |       |
| 00F03200031 | 019         | 05B   |       | 00H00300672 | 009         | 15A   |       | 00H01110581 | 010         | 29A   |       | 00H02004871 | 002         | 06A   |       |
| 00F03201211 | 019         | 02A   |       | 00H00300891 | 003         | 31A   |       | 00H01111081 | 010         | 01A   |       | 00H02022031 | 002         | 02A   |       |
| 00F03300241 | 020         | 08A   |       | 00H00301401 | 003         | 05A   |       | 00H01120021 | 010         | 16A   |       | 00H02022041 | 002         | 03A   |       |
| 00F03300731 | 020         | 06A   |       | 00H00301701 | 003         | 26A   |       | 00H01200701 | 008         | 11A   |       | 00H02100121 | 006         | 38A   |       |
| 00F03310741 | 020         | 04A   |       |             |             |       |       | 00H01201331 | 008         | 23A   |       | 00H02100191 | 006         | 07A   |       |

| CODIGO CODE | Lám. Diagr. | Figr. | Vers. | CODIGO CODE | Lám. Diagr. | Figr. | Vers. | CODIGO CODE | Lám. Diagr. | Figr. | Vers. | CODIGO CODE  | Lám. Diagr. | Figr. | Vers. |
|-------------|-------------|-------|-------|-------------|-------------|-------|-------|-------------|-------------|-------|-------|--------------|-------------|-------|-------|
| 00H02100861 | 006         | 08A   |       | 00H02800561 | 016         | 15A   |       | 00H03700101 | 022         | 07A   |       | 00H05007123  | 013         | 01A   |       |
| 00H02100901 | 006         | 22A   |       | 00H02800801 | 016         | 28A   |       | 00H03700131 | 010         | 09A   |       | 00H05100011  | 024         | 18A   |       |
| 00H02102011 | 006         | 30A   |       | 00H02800881 | 016         | 27A   |       | 00H03700141 | 022         | 23A   |       | 00H05101561  | 024         | 17A   |       |
| 00H02102831 | 006         | 31A   |       | 00H02800891 | 016         | 05A   |       | 00H03700211 | 022         | 06A   |       | 00H05152126  | 24          | 20A   |       |
| 00H02103621 | 006         | 02A   |       | 00H02800901 | 016         | 04A   |       | 00H03700311 | 022         | 22A   |       | 00H05170651  | 005         | 35A   |       |
| 00H02106612 | 006         | 27A   |       | 00H02801221 | 016         | 08A   |       | 00H03700351 | 022         | 15A   |       | 00H05205481  | 012         | 02A   |       |
| 00H02114081 | 006         | 05A   |       | 00H02801481 | 016         | 10A   |       | 00H03700461 | 018         | 18A   |       | 00H05300041  | 024         | 04A   |       |
| 00H02200681 | 006         | 42A   |       | 00H02802861 | 016         | 31A   |       | 00H03701041 | 022         | 12A   |       | 00H05300151  | 024         | 07A   |       |
| 00H02201302 | 001         | 24A   |       | 00H02803161 | 016         | 35A   |       | 00H03702121 | 022         | 16A   |       | 00H05300841  | 024         | 08A   |       |
| 00H02201312 | 001         | 06A   |       | 00H02803291 | 016         | 01A   |       | 00H03703051 | 022         | 03A   |       | 00H05400451  | 024         | 01A   |       |
| 00H02201521 | 003         | 19A   |       | 00H02805371 | 016         | 22A   |       | 00H03704021 | 022         | 13A   |       | 00H05400581  | 024         | 02A   |       |
| 00H02201591 | 005         | 19A   |       | 00H02807131 | 016         | 06A   |       | 00H03704081 | 022         | 01A   |       | 00H05401561  | 024         | 03A   |       |
| 00H02207671 | 006         | 29A   |       | 00H02808371 | 016         | 22B   |       | 00H03705011 | 022         | 26A   |       | 00H05600231  | 024         | 16A   |       |
| 00H02300961 | 007         | 37A   |       | 00H02810181 | 016         | 18A   |       | 00H03800134 | 023         | 08A   |       | 00H05600241  | 024         | 06A   |       |
| 00H02303441 | 013         | 20A   |       | 00H02810231 | 016         | 09A   |       | 00H03800141 | 023         | 11A   |       | 00H05600251  | 024         | 05A   |       |
| 00H02305171 | 006         | 14A   |       | 00H02810411 | 016         | 21A   |       | 00H03800151 | 023         | 13A   |       | 00H05600261  | 024         | 12A   |       |
| 00H02305501 | 007         | 08A   |       | 00H02810421 | 016         | 23A   |       | 00H03800161 | 023         | 17A   |       | 00H05600321  | 024         | 15A   |       |
| 00H02401282 | 009         | 07A   |       | 00H02810561 | 016         | 16A   |       | 00H03800181 | 014         | 25A   |       | 00H05600331  | 024         | 11A   |       |
| 00H02403281 | 008         | 19A   |       | 00H02810631 | 016         | 29A   |       | 00H03800231 | 023         | 32A   |       | 00H05600341  | 024         | 10A   |       |
| 00H02409331 | 009         | 01A   |       | 00H02810741 | 016         | 30A   |       | 00H03800381 | 022         | 11A   |       | 00H05600351  | 024         | 09A   |       |
| 00H02500041 | 013         | 08A   |       | 00H02820211 | 016         | 07A   |       | 00H03800381 | 023         | 16A   |       | 00H05700101  | 007         | 13A   |       |
| 00H02500272 | 001         | 18A   |       | 00H02820561 | 016         | 17A   |       | 00H03800441 | 014         | 20A   |       | 00H05700481  | 007         | 04A   |       |
| 00H02500301 | 013         | 11A   |       | 00H02820651 | 016         | 26A   |       | 00H03800441 | 023         | 27A   |       | 00H05701061  | 007         | 14A   |       |
| 00H02500491 | 018         | 29A   |       | 00H02820661 | 016         | 36A   |       | 00H03800451 | 023         | 19A   |       | 00H05900021  | 004         | 35A   |       |
| 00H02500811 | 018         | 28A   |       | 00H02900011 | 017         | 12A   |       | 00H03800751 | 023         | 23A   |       | 00H05900021  | 005         | 02A   |       |
| 00H02501131 | 013         | 05A   |       | 00H02900041 | 017         | 10A   |       | 00H03801041 | 023         | 05A   |       | 00H05900021  | 023         | 21A   |       |
| 00H02501491 | 018         | 11A   |       | 00H02900091 | 017         | 06A   |       | 00H03801711 | 023         | 35A   |       | 00H05901781  | 014         | 16A   |       |
| 00H02502111 | 013         | 03A   |       | 00H02900271 | 017         | 11A   |       | 00H03802031 | 023         | 33A   |       | 00H05908251  | 001         | 34A   |       |
| 00H02502121 | 013         | 04A   |       | 00H02900281 | 017         | 07A   |       | 00H03802461 | 004         | 37A   |       | 00H06001151  | 019         | 25A   |       |
| 00H02502891 | 018         | 10A   |       | 00H02900761 | 017         | 02A   |       | 00H03802472 | 023         | 03A   |       | 00H06007211  | 004         | 25B   |       |
| 00H02505021 | 013         | 07A   |       | 00H02901441 | 017         | 08A   |       | 00H03802501 | 023         | 02A   |       | 00H06101231  | 004         | 23A   |       |
| 00H02506141 | 013         | 09A   |       | 00H02901551 | 017         | 09A   |       | 00H03802541 | 023         | 01B   |       | 00H06201061  | 004         | 15A   |       |
| 00H02507061 | 018         | 20A   |       | 00H02902252 | 017         | 13A   |       | 00H03804021 | 023         | 29A   |       | 00H06303401  | 001         | 16A   |       |
| 00H02510641 | 018         | 21A   |       | 00H03000031 | 018         | 02A   |       | 00H03805011 | 023         | 01A   |       | 00H06303752  | 004         | 05A   |       |
| 00H02512013 | 013         | 06A   |       | 00H03000081 | 018         | 14A   |       | 00H03805301 | 023         | 36A   |       | 00H06303762  | 004         | 03A   |       |
| 00H02542091 | 013         | 02A   |       | 00H03000091 | 018         | 26A   |       | 00H03810211 | 023         | 14A   |       | 00H06500451  | 001         | 19A   |       |
| 00H02552091 | 013         | 02B   |       | 00H03000141 | 018         | 05A   |       | 00H03810421 | 023         | 25A   |       | 00H06500561  | 004         | 41A   |       |
| 00H02562091 | 013         | 02C   |       | 00H03000272 | 001         | 26A   |       | 00H04106181 | 019         | 06B   |       | 00H06800471  | 003         | 34A   |       |
| 00H02572091 | 013         | 02D   |       | 00H03003634 | 018         | 01A   |       | 00H04107181 | 019         | 06A   |       | 00H99927E302 | 012         | 01A   |       |
| 00H02600111 | 014         | 03A   |       | 00H03005241 | 018         | 06A   |       | 00H04200281 | 021         | 14A   |       | 00H99927V400 | 012         | 01B   |       |
| 00H02600151 | 014         | 07A   |       | 00H03007882 | 018         | 04A   |       | 00H04200721 | 004         | 38A   |       | 00K05110651  | 005         | 12A   |       |
| 00H02600181 | 014         | 13A   |       | 00H03010361 | 018         | 03A   |       | 00H04202721 | 004         | 39A   |       | 00M03800221  | 023         | 12A   |       |
| 00H02600211 | 014         | 14A   |       | 00H03201201 | 019         | 22A   |       | 00H04302181 | 004         | 06A   |       | 00000002830  | 009         | 10A   |       |
| 00H02600271 | 014         | 09A   |       | 00H03201251 | 004         | 26A   |       | 00H04410772 | 005         | 04A   |       | 00000004510  | 016         | 24A   |       |
| 00H02600322 | 014         | 22A   |       | 00H03202281 | 019         | 08A   |       | 00H04410782 | 005         | 05A   |       | 00000004510  | 022         | 25A   |       |
| 00H02600342 | 014         | 19A   |       | 00H03203481 | 019         | 07A   |       | 00H04603841 | 007         | 20A   |       | 00000004835  | 008         | 15A   |       |
| 00H02600401 | 014         | 27A   |       | 00H03203711 | 019         | 14A   |       | 00H04603921 | 006         | 28A   |       | 00000013510  | 016         | 37A   |       |
| 00H02600551 | 014         | 10A   |       | 00H03204231 | 019         | 13A   |       | 00H04604111 | 007         | 42A   |       | 00000021060  | 003         | 21A   |       |
| 00H02600651 | 014         | 26A   |       | 00H03204421 | 019         | 04A   |       | 00H04605841 | 007         | 19A   |       | 00000023040  | 005         | 28A   |       |
| 00H02601011 | 014         | 11A   |       | 00H03206031 | 019         | 05A   |       | 00H04614091 | 005         | 34A   |       | 00000023051  | 005         | 26A   |       |
| 00H02601161 | 014         | 08A   |       | 00H03207261 | 004         | 33A   |       | 00H04620221 | 005         | 32A   |       | 00000023060  | 003         | 15A   |       |
| 00H02601381 | 014         | 02A   |       | 00H03214431 | 019         | 03A   |       | 00H04701171 | 008         | 21A   |       | 00000023060  | 007         | 24A   |       |
| 00H02610311 | 014         | 18A   |       | 00H03246011 | 019         | 01A   |       | 00H04701171 | 010         | 25A   |       | 00000023060  | 007         | 36A   |       |
| 00H02700151 | 015         | 01A   |       | 00H03249011 | 019         | 01B   |       | 00H04702121 | 008         | 20A   |       | 00000023060  | 021         | 16A   |       |
| 00H02700231 | 015         | 03A   |       | 00H03300221 | 020         | 07A   |       | 00H04702121 | 010         | 02A   |       | 00000031040  | 005         | 27A   |       |
| 00H02700251 | 015         | 09A   |       | 00H03301211 | 020         | 02A   |       | 00H04726081 | 008         | 01A   |       | 00000031040  | 021         | 20A   |       |
| 00H02700441 | 015         | 04A   |       | 00H03311011 | 020         | 01A   |       | 00H04903292 | 001         | 22A   |       | 00000031050  | 003         | 10A   |       |
| 00H02700451 | 015         | 05A   |       | 00H03330171 | 020         | 03A   |       | 00H04930561 | 005         | 31A   |       | 00000031050  | 005         | 21A   |       |
| 00H02700491 | 015         | 06A   |       | 00H03334171 | 020         | 03B   |       | 00H05000281 | 014         | 04A   |       | 00000031050  | 007         | 17A   |       |
| 00H02703421 | 015         | 10A   |       | 00H03404321 | 021         | 08A   |       | 00H05000281 | 014         | 15A   |       | 00000031050  | 011         | 03A   |       |
| 00H02800181 | 016         | 11A   |       | 00H03427411 | 021         | 02A   |       | 00H05000281 | 022         | 09A   |       | 00000031050  | 022         | 24A   |       |
| 00H02800241 | 016         | 34A   |       | 00H03443081 | 021         | 01A   |       | 00H05000281 | 023         | 15A   |       | 00000031050  | 022         | 28A   |       |
| 00H02800251 | 016         | 13A   |       | 00H03448081 | 021         | 01B   |       | 00H05001011 | 013         | 16A   |       | 00000031050  | 023         | 10A   |       |
| 00H02800401 | 016         | 19A   |       | 00H03603521 | 014         | 01A   |       | 00H05001551 | 013         | 18A   |       | 00000031060  | 003         | 18A   |       |

| CODIGO<br>CODE | Lám.<br>Diagr. | Figr. | Vers. | CODIGO<br>CODE | Lám.<br>Diagr. | Figr. | Vers. | CODIGO<br>CODE | Lám.<br>Diagr. | Figr. | Vers. | CODIGO<br>CODE | Lám.<br>Diagr. | Figr. | Vers. |
|----------------|----------------|-------|-------|----------------|----------------|-------|-------|----------------|----------------|-------|-------|----------------|----------------|-------|-------|
| 00000031060    | 006            | 33A   |       | 00008061500    | 007            | 33A   |       | 00262080022    | 001            | 08A   |       |                |                |       |       |
| 00000031070    | 003            | 22A   |       | 00008063000    | 007            | 34A   |       | 00262100032    | 001            | 27A   |       |                |                |       |       |
| 00000033050    | 022            | 20A   |       | 00008202730    | 013            | 15A   |       | 00262120032    | 003            | 07A   |       |                |                |       |       |
| 00000034050    | 016            | 25A   |       | 00008204500    | 022            | 18A   |       | 00402080001    | 001            | 03A   |       |                |                |       |       |
| 00000036100    | 017            | 17A   |       | 00008204500    | 023            | 30A   |       | 00402080001    | 010            | 18A   |       |                |                |       |       |
| 00000047110    | 014            | 17A   |       | 00008902630    | 001            | 11A   |       | 00402100001    | 001            | 23A   |       |                |                |       |       |
| 00000047110    | 022            | 10A   |       | 00008915020    | 004            | 21A   |       | 00442060002    | 015            | 12A   |       |                |                |       |       |
| 00000047111    | 017            | 03A   |       | 00008915020    | 004            | 22A   |       | 483395         | 023            | 24A   |       |                |                |       |       |
| 00000047122    | 017            | 14A   |       | 00008915020    | 007            | 21A   |       | 828152         | 018            | 25A   |       |                |                |       |       |
| 00000056202    | 008            | 05A   |       | 00008915020    | 023            | 20A   |       |                |                |       |       |                |                |       |       |
| 00000056202    | 009            | 05A   |       | 00011041300    | 010            | 11A   |       |                |                |       |       |                |                |       |       |
| 00000056205    | 001            | 14A   |       | 00011051401    | 005            | 22A   |       |                |                |       |       |                |                |       |       |
| 00000061040    | 017            | 18A   |       | 00011051801    | 004            | 19A   |       |                |                |       |       |                |                |       |       |
| 00000066060    | 016            | 33A   |       | 00011061300    | 007            | 40A   |       |                |                |       |       |                |                |       |       |
| 00000326260    | 014            | 06A   |       | 00011141300    | 003            | 09A   |       |                |                |       |       |                |                |       |       |
| 00001130370    | 018            | 15A   |       | 00011141300    | 023            | 40A   |       |                |                |       |       |                |                |       |       |
| 00001213190    | 003            | 38A   |       | 00012041200    | 021            | 18A   |       |                |                |       |       |                |                |       |       |
| 00002025190    | 013            | 10A   |       | 00012051200    | 005            | 29A   |       |                |                |       |       |                |                |       |       |
| 00002026020    | 014            | 24A   |       | 00012051200    | 007            | 16A   |       |                |                |       |       |                |                |       |       |
| 00002027280    | 014            | 21A   |       | 00012052500    | 005            | 10A   |       |                |                |       |       |                |                |       |       |
| 00002027280    | 015            | 07A   |       | 00012052500    | 005            | 23A   |       |                |                |       |       |                |                |       |       |
| 00002028450    | 016            | 12A   |       | 00012053000    | 007            | 07A   |       |                |                |       |       |                |                |       |       |
| 00002028550    | 016            | 14A   |       | 00012061000    | 003            | 17A   |       |                |                |       |       |                |                |       |       |
| 00002028770    | 015            | 08A   |       | 00012061200    | 003            | 13A   |       |                |                |       |       |                |                |       |       |
| 00002028770    | 017            | 01A   |       | 00012061200    | 004            | 20A   |       |                |                |       |       |                |                |       |       |
| 00002029050    | 017            | 15A   |       | 00012061200    | 005            | 18A   |       |                |                |       |       |                |                |       |       |
| 00002030020    | 018            | 09A   |       | 00012061200    | 007            | 27A   |       |                |                |       |       |                |                |       |       |
| 00002051251    | 006            | 23A   |       | 00012062500    | 004            | 42A   |       |                |                |       |       |                |                |       |       |
| 00002051251    | 023            | 26A   |       | 00012063000    | 003            | 20A   |       |                |                |       |       |                |                |       |       |
| 00002051551    | 022            | 27A   |       | 00012082001    | 021            | 05A   |       |                |                |       |       |                |                |       |       |
| 00002052051    | 023            | 09A   |       | 00012151500    | 010            | 22A   |       |                |                |       |       |                |                |       |       |
| 00002054551    | 022            | 19A   |       | 00012151500    | 021            | 09A   |       |                |                |       |       |                |                |       |       |
| 00002061011    | 018            | 12A   |       | 00012151500    | 023            | 38A   |       |                |                |       |       |                |                |       |       |
| 00002062011    | 021            | 04A   |       | 00012152000    | 011            | 02A   |       |                |                |       |       |                |                |       |       |
| 00002062511    | 006            | 32A   |       | 00012161600    | 004            | 30A   |       |                |                |       |       |                |                |       |       |
| 00002062511    | 015            | 11A   |       | 00014041200    | 006            | 09A   |       |                |                |       |       |                |                |       |       |
| 00002082021    | 011            | 07A   |       | 00022084021    | 001            | 04A   |       |                |                |       |       |                |                |       |       |
| 00002083001    | 010            | 27A   |       | 00022084521    | 001            | 07A   |       |                |                |       |       |                |                |       |       |
| 00002125170    | 013            | 17A   |       | 00023108000    | 001            | 05A   |       |                |                |       |       |                |                |       |       |
| 00002212070    | 008            | 08A   |       | 00023108000    | 001            | 13A   |       |                |                |       |       |                |                |       |       |
| 00002212070    | 009            | 19A   |       | 00023108000    | 010            | 20A   |       |                |                |       |       |                |                |       |       |
| 00002215152    | 001            | 25A   |       | 00023112000    | 003            | 32A   |       |                |                |       |       |                |                |       |       |
| 00002225220    | 013            | 14A   |       | 00026005000    | 007            | 18A   |       |                |                |       |       |                |                |       |       |
| 00002503230    | 003            | 04A   |       | 00026008001    | 021            | 07A   |       |                |                |       |       |                |                |       |       |
| 00002518790    | 001            | 17A   |       | 00031105000    | 005            | 16A   |       |                |                |       |       |                |                |       |       |
| 00003102280    | 018            | 13A   |       | 00031106000    | 007            | 35A   |       |                |                |       |       |                |                |       |       |
| 00003112322    | 003            | 03A   |       | 00031120123    | 003            | 35A   |       |                |                |       |       |                |                |       |       |
| 00003115422    | 003            | 23A   |       | 00032015000    | 008            | 04A   |       |                |                |       |       |                |                |       |       |
| 00003125280    | 013            | 19A   |       | 00032015000    | 009            | 03A   |       |                |                |       |       |                |                |       |       |
| 00003127200    | 017            | 19A   |       | 00034000802    | 008            | 17A   |       |                |                |       |       |                |                |       |       |
| 00003130050    | 018            | 16A   |       | 00034000802    | 010            | 13A   |       |                |                |       |       |                |                |       |       |
| 00003133230    | 020            | 09A   |       | 00036008000    | 001            | 02A   |       |                |                |       |       |                |                |       |       |
| 00003133260    | 020            | 10A   |       | 00037000600    | 017            | 21A   |       |                |                |       |       |                |                |       |       |
| 00004162500    | 017            | 20A   |       | 00047030400    | 004            | 04A   |       |                |                |       |       |                |                |       |       |
| 00005010760    | 006            | 25A   |       | 00047030900    | 017            | 16A   |       |                |                |       |       |                |                |       |       |
| 00005527540    | 010            | 19A   |       | 00047031100    | 015            | 02A   |       |                |                |       |       |                |                |       |       |
| 00005529290    | 017            | 05A   |       | 00052062011    | 014            | 23A   |       |                |                |       |       |                |                |       |       |
| 00005530600    | 018            | 17A   |       | 00053030000    | 022            | 08A   |       |                |                |       |       |                |                |       |       |
| 00005551290    | 024            | 19A   |       | 00053030000    | 023            | 18A   |       |                |                |       |       |                |                |       |       |
| 00006309260    | 006            | 26A   |       | 00057120300    | 016            | 03A   |       |                |                |       |       |                |                |       |       |
| 00006321040    | 006            | 12A   |       | 00058020301    | 016            | 20A   |       |                |                |       |       |                |                |       |       |
| 00006321040    | 006            | 41A   |       | 00059220400    | 013            | 12A   |       |                |                |       |       |                |                |       |       |
| 00006321040    | 010            | 03A   |       | 00073481964    | 004            | 31A   |       |                |                |       |       |                |                |       |       |
| 00006826230    | 014            | 05A   |       | 00092061214    | 023            | 31A   |       |                |                |       |       |                |                |       |       |