

NACIONAL MOTOR, S.A.U. DERBI

C/ Barcelona, nº19 - Martorelles 08107 - BARCELONA (SPAIN)

Tel. 93 565 78 78 - Fax 93 565 78 52

DERBI



SENDA SM DRD '03 E1 & E1R

CÓDIGO CATÁLOGO
CATALOGUE NUMBER

7077CH03001

**IDENTIFICACION DE MODELOS REPRESENTADOS EN ESTE
CATALOGO SEGUN LOS DIGITOS SIGUIENTES**

**IDENTIFICAZIONE DEI MODELLI RAPPRESENTATI IN QUESTO CATALOGO
SECONDO I NUMERI A SEGUIRE**

**THE MODELS REFERRED INTO THIS CATALOGUE ARE IDENTIFIED
BY FOLLOWING NUMBERS**

BESTIMMUNG DER VERSCHIEDENEN MODELLE IN DIESEM KATALOG

**IDENTIFICATION DES MODELOES REPRESENTES DANS CE CATALOGUE,
EN FUNCTION DES CODES SUIVANTS**

MODELO MODELLI MODEL MODELL MODELE	DENOMINACION DENOMINAZIONE MODEL NAME BEZEICHNUNG DENOMINATION	CODIGO MODELO CODICE MODELLI CODE MODEL KODE MODELL CODE MODELE
1	SENDA SM DRD'02 ESPAÑA NEGRA	00H00030E280
2	SENDA SM DRD'02 FRANCE BLACK	00H00030F280
3	SENDA SM DRD'02 W.V.T.A. BLACK	00H0030A280
4	SENDA SM DRD'03 ESPAÑA NEGRA E1	00H00030E281
5	SENDA SM DRD'03 FRANCE BLACK E1	00H00030F281
6	SENDA SM DRD'03 BLACK E1	00H00030I280
		00H00030U280
		00H00030X280
7	SENDA SM DRD'03 E1R ESPAÑA NEGRA	00H00030E380
8	SENDA SM DRD'03 E1R FRANCE BLACK	00H00030F380
	SENDA SM DRD'03 E1R ENGLAND BLACK	00H00030G380
	SENDA SM DRD'03 E1R ITALY BLACK	00H00030I380
9	SENDA SM DRD'03 E1R AUSTRIA BLACK	00H00030U380
	SENDA SM DRD'03 E1R BENELUX BLACK	00H00030X380
A	SENDA SM DRD'03 E1R ESPAÑA AZUL	00H00030E341
B	SENDA SM DRD'03 E1R FRANCE BLUE	00H00030F341
C	SENDA SM DRD'03 E1R BENELUX BLUE	00H00030X341

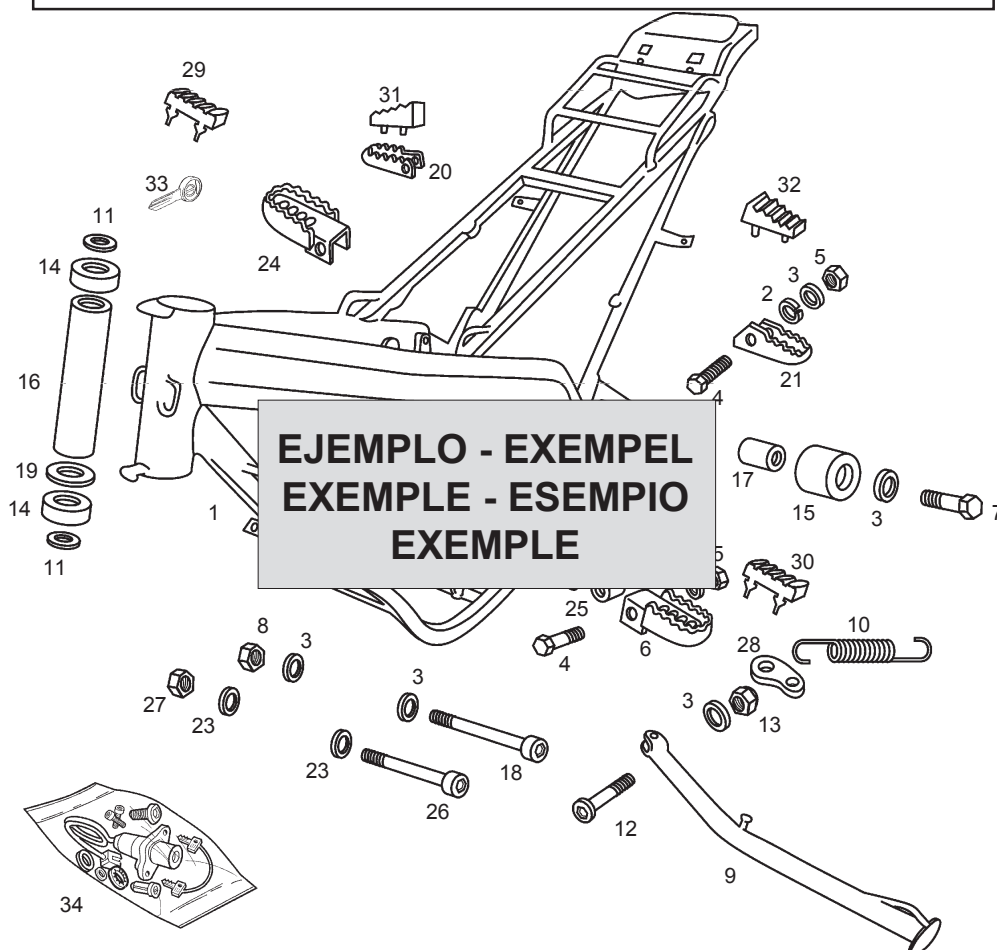


Fig.	Ver.	COD. KOD.	DESCRIPCIÓN DENOMINAZIONE NAME	BEZEICHNUNG DESIGNATION	MOD.	Nº CHASIS Nº TELAIO FRAME NUM. N.º CADRE Nr. RHAMEN
01A		00G01924601	R-SCTO.CUADRO C/COJIN. ATLANTIS TELAIO FRAME SUB-ASSEMBLY	RHAMEN CADRE COMPLET	12	XXXXXXX
②	01	00G01924601	R-SCTO.CUADRO C/COJIN. ATLANTIS TELAIO FRAME SUB-ASSEMBLY	RHAMEN CADRE COMPLET	12	XXXXXXX
01A	02	00G01924601				
③	03	00G01924601	R-SCTO.CUADRO C/COJIN. ATLANTIS TELAIO FRAME SUB-ASSEMBLY	RHAMEN CADRE COMPLET	12	XXXXXXX
④		00G01924601				
①	⑤	⑧	⑥	⑦		

1- Código de localización de piezas. 2- Código indicativo de pieza reemplazada. 3- Código indicativo de pieza anulada. 4- Código indicativo de pieza restituida (esta se monta de nuevo). 5- Código de referencia de la pieza. 6- Identificación de modelos. 7- Los códigos de esta casilla indican que, a partir del número de chasis o motor indicado dentro de esta, se monta una nueva pieza que reemplaza a la anterior (sección 2), que una pieza no se monta (sección 3), o que la pieza anulada se monta de nuevo (sección 4), y concierne a los modelos indicados (sección 6). 8- Denominación de la pieza.

1- Codice di localizzazione pezzi. 2- Codice indicatore del pezzo sostituito. 3- Il pezzo precedente non si monta. 4- Codice indicatore dei pezzi che si tornano a montare. 5- Codice di identificazione del pezzo. 6- Identificazione del modello. 7- Il codice di questa casella indica che, dal numero di Telaio/motore indicato, si monta un nuovo pezzo che sostituisce il precedente (sezione 2), che un pezzo non si monta (sezione 3), oppure che il pezzo annullato si monta di nuovo (sezione 4), facendo riferimento al modello indicato (sezione 6). 8- Denominazione del pezzo.

1- Part location number. 2- Substituted part number. 3- Withdrawn part number (no longer fitted). 4- Restored part number (newly fitted geing withdrawn). 5- Part reference number. 6- Model identification number. 7- Chassis or engine number from which a new part is fitted substituting a part which has been withdrawn (see para 2) or a part is withdrawn is fitted again (see para 4), in the models indicated (see para 6). 8- Part identification label.

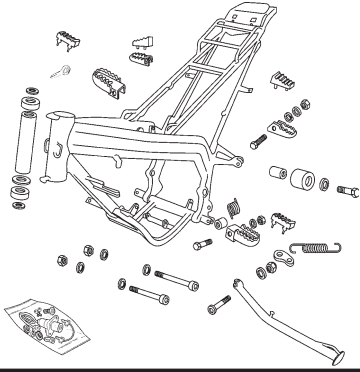
1- Zeichnung - Number. 2- Ausführung. 3- Gestrichene Ersatzteilnummer. 4- Ersetzte Ersatzteilnummer. 5- Ersatzteilnummer. 6- Modell - Nummer. 7- Rhamen - order motonummer, für die ein neues teil eingestzt wird, z.b. eine nummer, die geändert (s. para 2), order ein teil, das gestrichen wurde (s. para 3), order ein teil, das vorübergehend verschiedene modelle (s. para 6) 8- Bezeichnung.

1- Code de localisation de la pièce. 2- Code indicateur de pièce remplace par un autre. 3- Code indicateur de pièce annulé (elle n'est plus montée). 4- Code indicateur de pièce restituée (elle se monte à nouveau). 5- Code référence de la pièce. 6- Les codes de cette case indiquant qu'à partir de numero 7- Chassis ou de moteur indiqué, un nouvelle pièce est montée en remplacement d'une autre (section 2), qu'une pièce n'est plus montée (section 3) ou la pièce anulée est montée à nouveau (section 4) et concernant les modèles indiqués (section 6). 8- Denomination de la pièce.

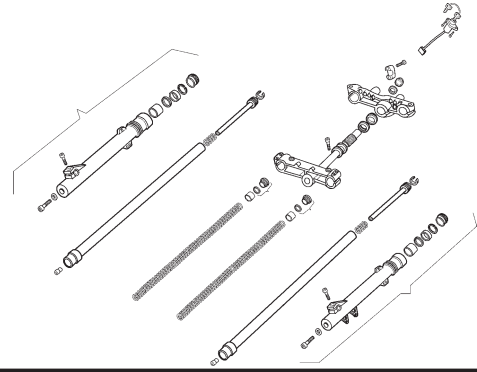
Relación Piezas Diferenciadas por el Color
Lista Parti Coloranti
Color Combination Parts List
Farbcode
Liste des Pièces Similaires Codifiées par Couleur

Color / Colore / Colour / Couleur / Farbe: NEGRA / NEGRO / BLACK / SCHWARZ / NOIR		
Cod. Kod.	Denominación Denominazione Name	Bezeichnung Denomination
00H00414682	TAPA SUP. DEPÓSITO CARCASSA SUP. SERBATOIO TOP TANK FRAME	TANKKLAPPE COUVERCLE DE RESERVOIR
00H00543691	SCTO. TAPA LAT. DR. NG COPERC.LAT.DES.C/C. RIGHT HAND SIDE COVER	SEITENDECKEL RECHTS PLAQUE LATERAL DROITE AVEC
00H00543701	SCTO. TAPA LAT. IZ. NG COP.LAT.SIN.C/C. LEFT HAND SIDE COVER	SEITENDECKEL- LINKS FLANC LAT.G.AVEC DECAL
00H00617011	CTO.SILLIN COMP.SELLINO SEAT	SITZBANK SELLE
00H00709431	CTO. GUARDABARROS DEL. NG PARAFANGO ANTERIORE FRONT MUDGUARD ASSY	KOTFLUGEL VORN GARDE-BOUE AVANT RGE
00H02231371	SCTO.CARC.FARO NG CARCASA FARO HEADLIGHT CUSING SUB-ASSEMBLY	SCHEINWERFERVERKLEIDUNG PLAQUE PHARE
00H04428802	SCTO. TAPA DEL. DR. NG COP.ANT.DES.C/C. LOWER RIGHT-HAND ADORNMENT	SEITENTEIL OUIE MOTEUR D.
00H04428832	SCTO. TAPA DEL. IZ. NG COP.ANT.SIN.C/C FRONT COVER LEFT SIDE	KHULERVERKLEIDUNG OUIE MOTEUR G.
00H00615162	CTO. COLIN NG COLIN SELLINO SEAT BASE	KOTFLUGEL HINTEN DOSSERET SELLE

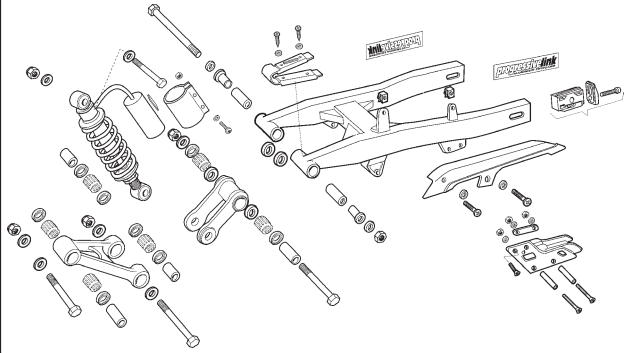
LAMINA / STAMPA / DIAGRAM / BILD / FEUILLE - 1



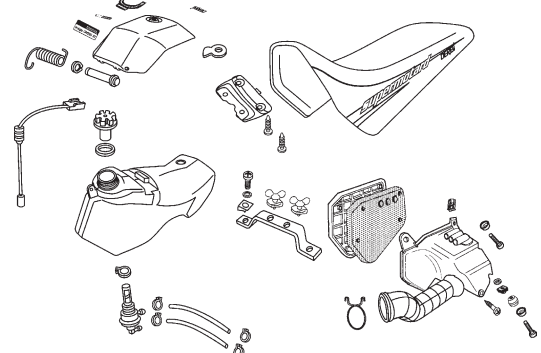
LAMINA / STAMPA / DIAGRAM / BILD / FEUILLE - 2



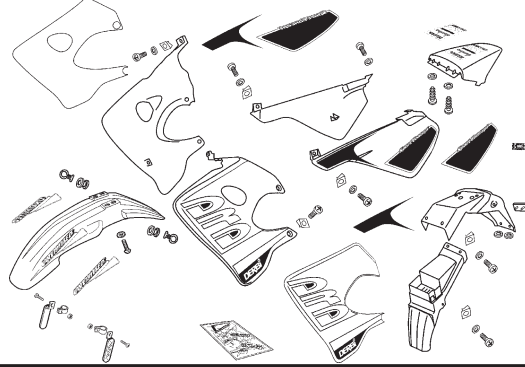
LAMINA / STAMPA / DIAGRAM / BILD / FEUILLE - 3



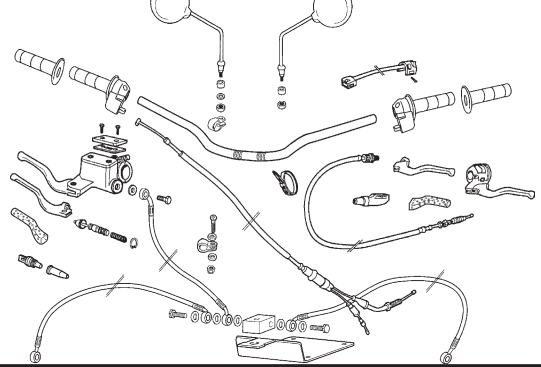
LAMINA / STAMPA / DIAGRAM / BILD / FEUILLE - 4



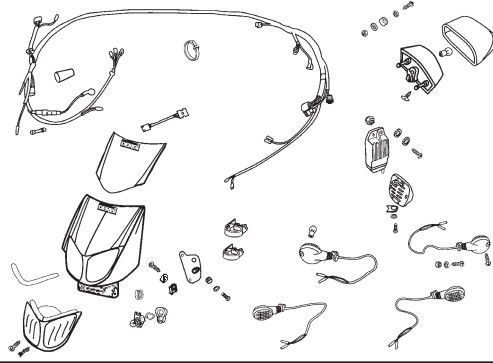
LAMINA / STAMPA / DIAGRAM / BILD / FEUILLE - 5



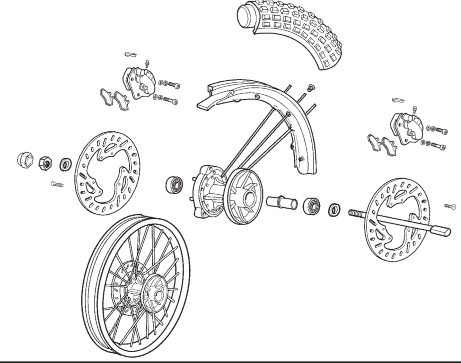
LAMINA / STAMPA / DIAGRAM / BILD / FEUILLE - 6



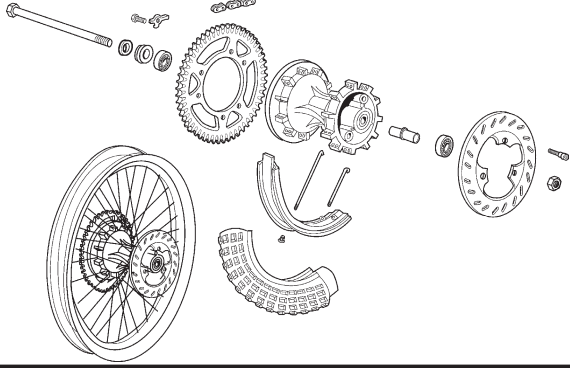
LAMINA / STAMPA / DIAGRAM / BILD / FEUILLE - 7



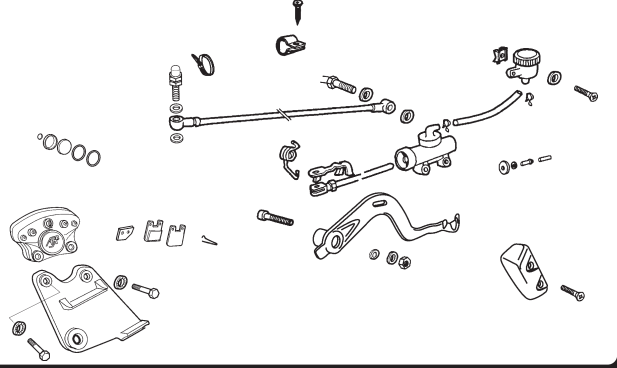
LAMINA / STAMPA / DIAGRAM / BILD / FEUILLE - 8



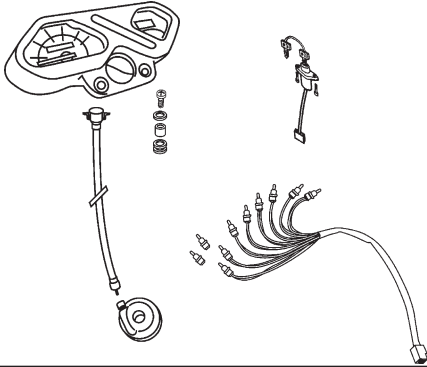
LAMINA / STAMPA / DIAGRAM / BILD / FEUILLE - 9



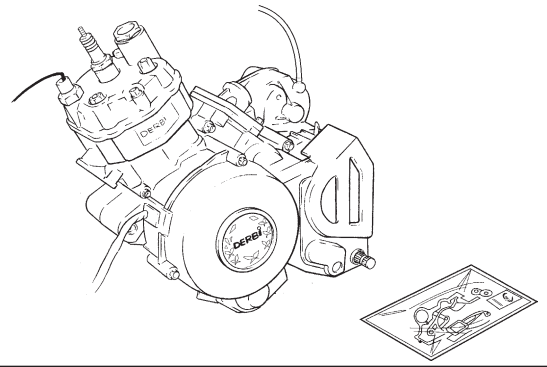
LAMINA / STAMPA / DIAGRAM / BILD / FEUILLE - 10



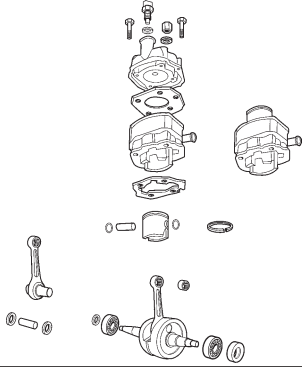
LAMINA / STAMPA / DIAGRAM / BILD / FEUILLE - 11



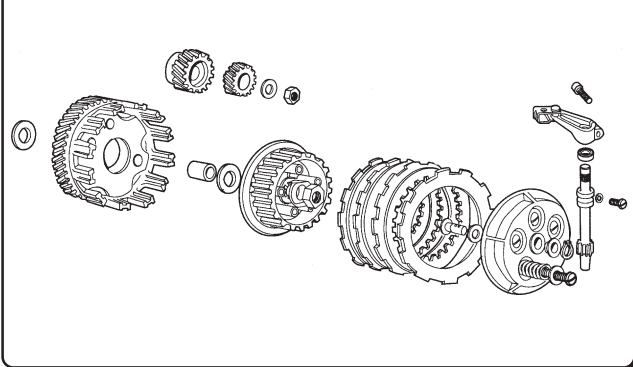
LAMINA / STAMPA / DIAGRAM / BILD / FEUILLE - 12



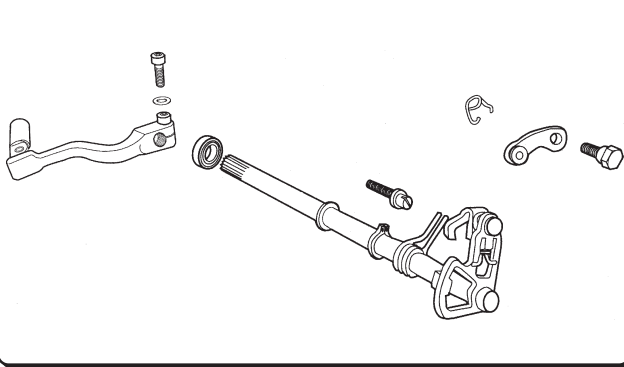
LAMINA / STAMPA / DIAGRAM / BILD / FEUILLE - 13



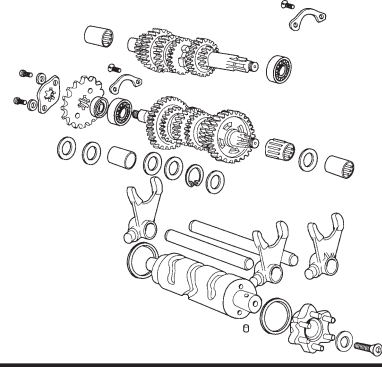
LAMINA / STAMPA / DIAGRAM / BILD / FEUILLE - 14



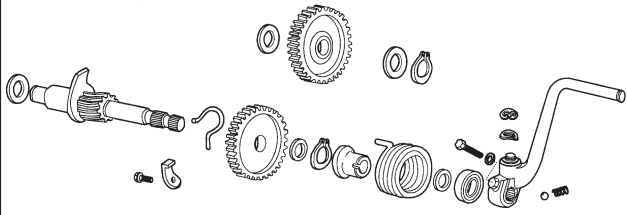
LAMINA / STAMPA / DIAGRAM / BILD / FEUILLE - 15



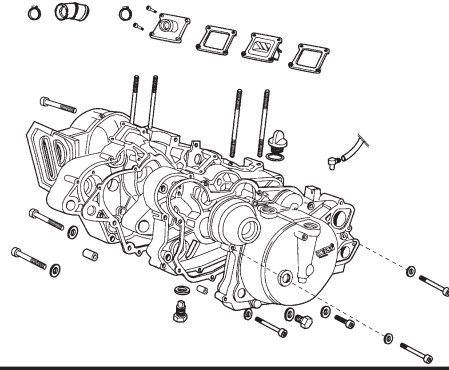
LAMINA / STAMPA / DIAGRAM / BILD / FEUILLE - 16



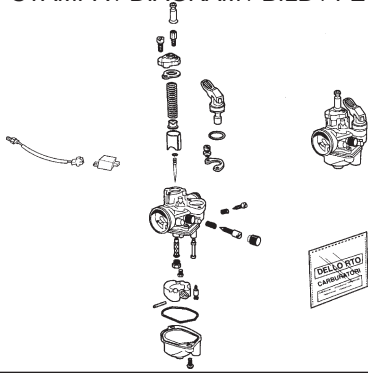
LAMINA / STAMPA / DIAGRAM / BILD / FEUILLE - 17



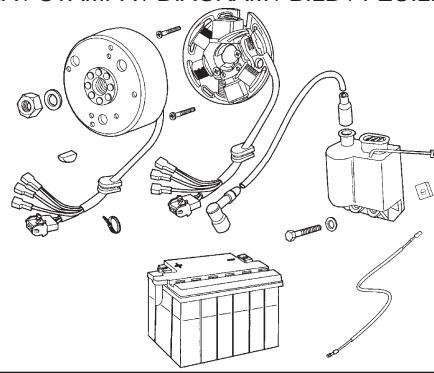
LAMINA / STAMPA / DIAGRAM / BILD / FEUILLE - 18



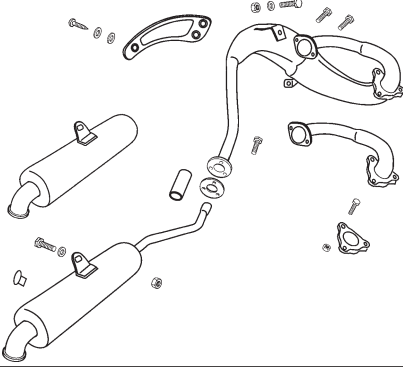
LAMINA / STAMPA / DIAGRAM / BILD / FEUILLE - 19



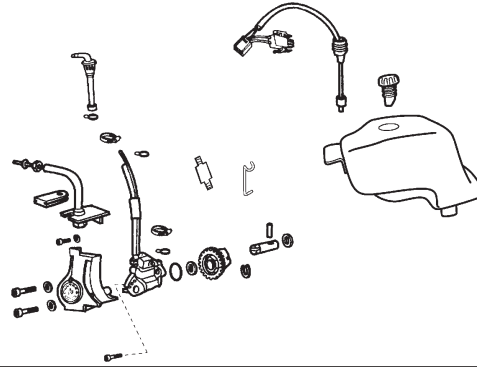
LAMINA / STAMPA / DIAGRAM / BILD / FEUILLE - 20



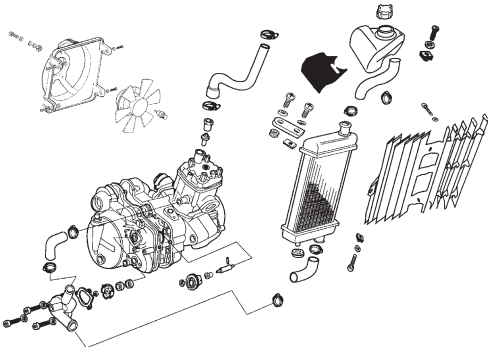
LAMINA / STAMPA / DIAGRAM / BILD / FEUILLE - 21



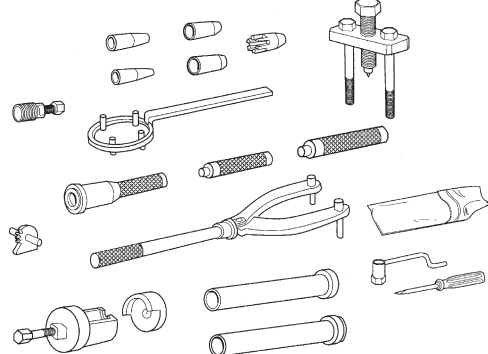
LAMINA / STAMPA / DIAGRAM / BILD / FEUILLE - 22



LAMINA / STAMPA / DIAGRAM / BILD / FEUILLE - 23



LAMINA / STAMPA / DIAGRAM / BILD / FEUILLE - 24



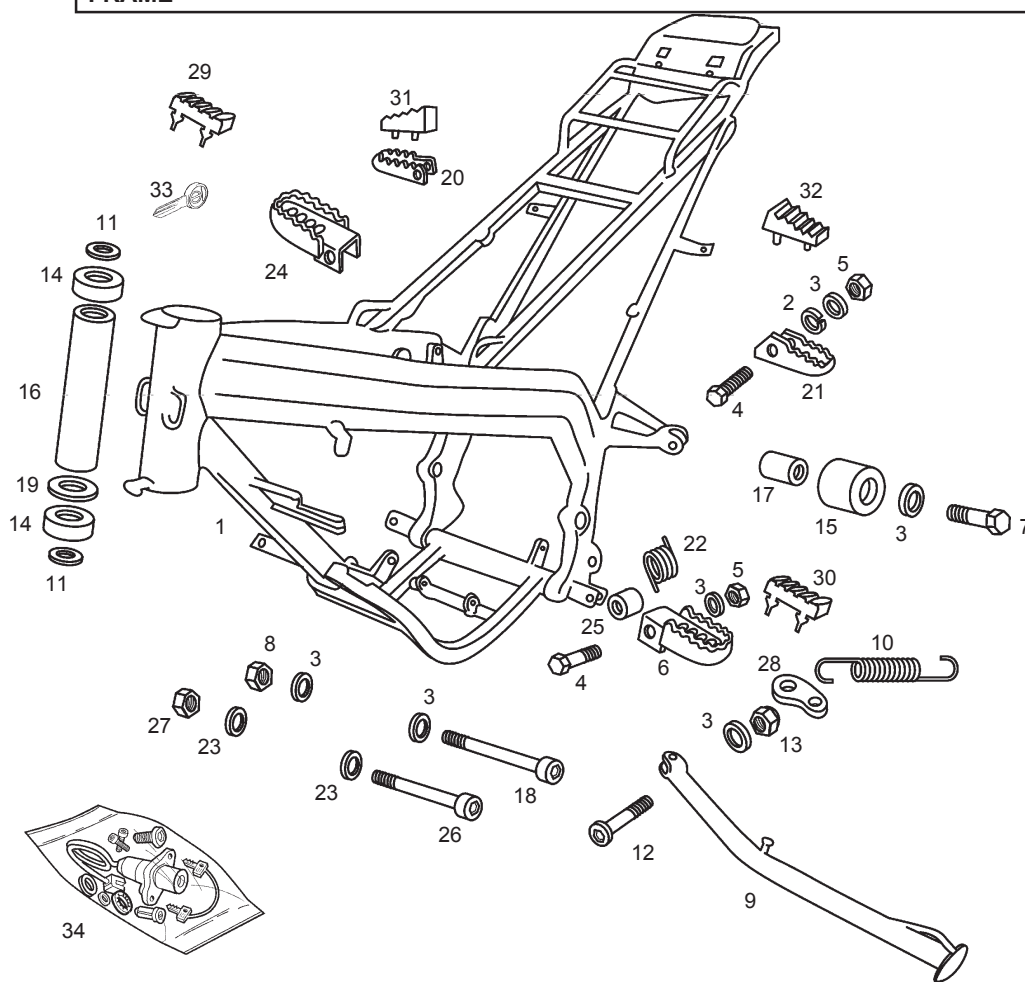


Fig.	Ver.	COD. KOD.	DESCRIPCIÓN DENOMINAZIONE NAME	BEZEICHNUNG DESIGNATION	MOD.	NOTAS NOTES NOTA MITSCHRIFT NOTES
11A		00008902630	ARAND.TAPON TUBO PNA. RONDELLA TAPPO FORCELLA WASHER, FORK TUBE CAP	DICHTRING RONDELLE	1 2 3 4 5 6 7 8 9 A B C	
12A		00H00805072	TOR. FIJ. PATA CABALL. VITE FISSAGGIO ZAMPA CAVALLET SIDE STAND LEG SECURING SCREW	BEFESTIGUNGSSCHARAUBE STND. VIS FIXATION BEQUILLE	1 2 3 4 5 6 7 8 9 A B C	
13A		00023108000	TCA.EXAG. 8M125. DIN-985 DADO ESAGONALE 8M125.D-985 HEXAGON NUT 8M125 D985	MUTTER 8M125 ECROU HEXAGONAL 8M125. DIN-985	1 2 3 4 5 6 7 8 9 A B C	
14A		00000056205	COJINETE.SKF6205.25.52.15.2RS CUSCINETTO BEARING SKF.6205.25.52.15	LAGER SKF.6205.25.52 .15 COUSSINET SKF. 6205. 25. 52	1 2 3 4 5 6 7 8 9 A B C	
15A		00H01801771	RODILLO TENSOR CADENA RULLO TENSORE CATENA CHAIN SUPPORTY GUIDE	ROLLE ROULETTE GUIDE CHAINE	1 2 3 4 5 6 7 8 9 A B C	
16A		00H06303401	TUBO SEP.RDMTO.DIRECC. TUBO SEPARAZIONE CUSCINETTO ST STEERING BEARING SEPARATOR TUB	DISTANZROHR LENKUNGLAGER TUBE SEPARATION ROULEMENT D	1 2 3 4 5 6 7 8 9 A B C	
17A		00002518790	CASQ.GUIA CAD.C4/C7/RD/FD/FDS. GHIERA GUIDA CATENA C4/C7/RD/F SOCKET CHAIN GUIDE	DISTANZ ENTRETOISE GUIDE CHAINE	1 2 3 4 5 6 7 8 9 A B C	
18A		00H02500272	TOR.FIJ.INF.MOTOR.ALL.8M125X90 VITE FISSAGGIO INFERIORE MOTOR BOLT, CRANKCASE 8MM1.25X90.	INBUSSCHRAUBE MOTORBEFEST. VIS FIXATION MOTEUR M8	1 2 3 4 5 6 7 8 9 A B C	
19A		00H06500451	ÉARAND.COJIN.TUBO DIREC. RONDELLA BRONZINA TUBO STERZO STEERING TUBE BEARING WASHER G	STEERING TUBE BEARING WASHER G RONDELLE COUSSINET TUBE DIRECT	1 2 3 4 5 6 7 8 9 A B C	
20A		00D01520096	ESTRIB. DR. PASAJ. ZIRC. PEDANA DESTRA RIGHT FOOT REST	FUSSRASTER RECHTS REPOSE-PIED DROIT	1 2 3 4 5 6 7 8 9 A B C	

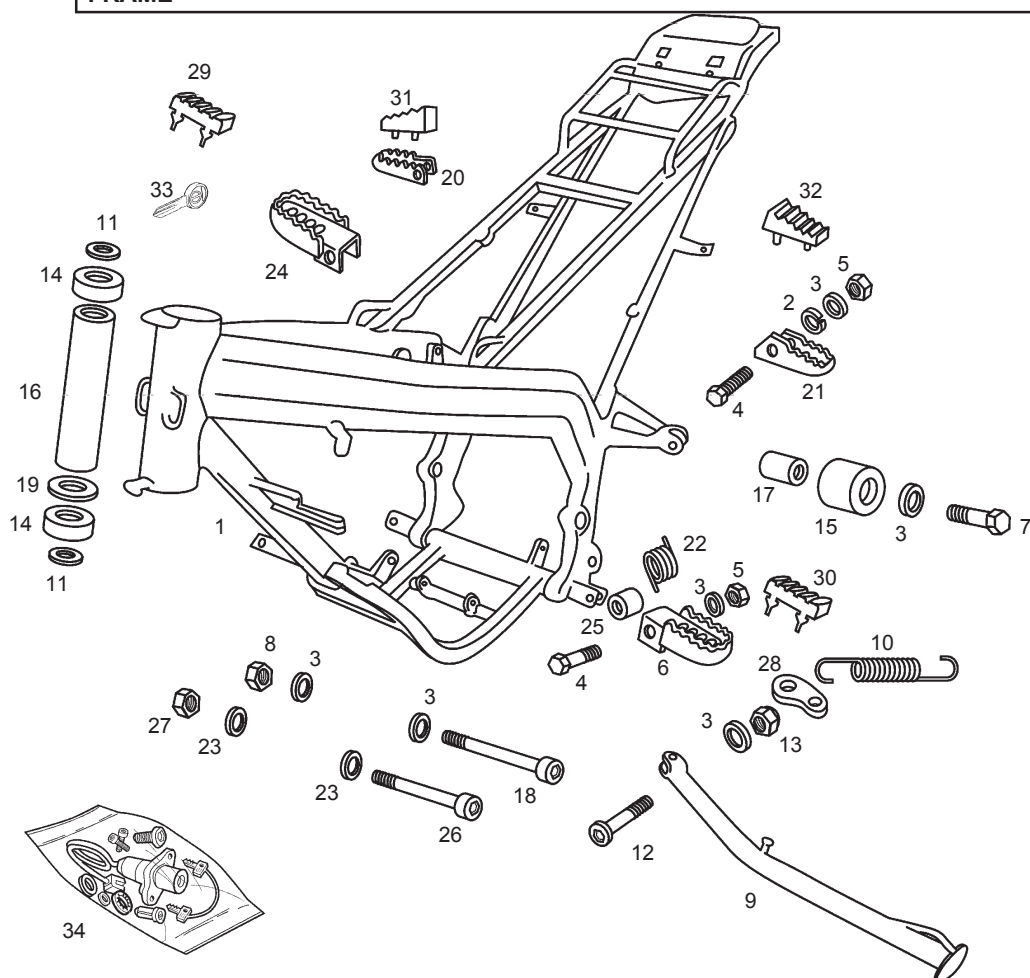


Fig.	Ver.	COD. KOD.	DESCRIPCIÓN DENOMINAZIONE NAME	BEZEICHNUNG DESIGNATION	MOD.	NOTAS NOTES NOTA MITSCHRIFT NOTES
21A		00D01540456	ESTRIB. IZ. PASAJ. ZIRC. PEDANA SINISTRA LEFT FOOT REST	FUSSRASTER LINKS REPOSE-PIED GAUCHE	1 2 3 4 5 6 7 8 9 A B C	
22A		00H04903292	MUELLE FIJACION ESTRIBERA MOLLA FISSAGGIO PREDELLINO PILLION FOOTREST SECURING	FEDER RESSORT	1 2 3 4 5 6 7 8 9 A B C	
23A		00402100001	ARAND.PLANA D.10.D125 RONDELLA PIATTA D.10 MACHINED FLAT WASHER D.10	SCHEIBE D.10 RONDELLE PLATE MECANISEE D.	1 2 3 4 5 6 7 8 9 A B C	
24A		00H02201302	SCTO.ESTRIB.PILOTO ZINC.BL. APPOG.DES. FOOTREST	FUSSRASTER RECHTS REPOSE PIED DROIT	1 2 3 4 5 6 7 8 9 A B C	
25A		00002215152	CASQUILLO FIJ. ESTRIBERA GIUNTO SEAL	DICHTRING JOINT	1 2 3 4 5 6 7 8 9 A B C	
26A		00H03000272	TOR.FIJ.DT.MTO.ALL.10M150X100 VITE FISSAGGIO ANTERIORE MOTOR SCREW	INBUSSCHRAUBE MOTOR BEFEST VIS	1 2 3 4 5 6 7 8 9 A B C	
27A		00262100032	TCA.AUTOBLOC.10M150.DIN-985.10 DADO AUTOBLOCC.10M150.DIN-985. SELF-LOCKING NUT 10M150	MUTTER SELBSTS 10M150 ECROU INDESSERABLE	1 2 3 4 5 6 7 8 9 A B C	
28A		00H00800422	PLACA RETORNO CABALLETE PIASTRINA RITORNO CAVALLETTO G SPRING KIK-STAND SUPPORT	PLATTE F. GESTELLRUCKFUHRU SUPPORT RESSORT DE BEQUILLE	1 2 3 4 5 6 7 8 9 A B C	
29A		00H01502101	PROTECT.DR.ESTRIB.PILOTO PROTEZIONE STAFFA DESTRA RIGHT FOOT REST PROTECTOR	RASTER GUMMI RECHTS PROTECTEUR REPOSE-PIED DROI	1 2 3 4 5 6 7 8 9 A B C	
30A		00H01501501	PROTECT.IZ.ESTRIB.PILOTO PROTEZIONE STAFFA SINISTRA LEFT FOOT REST PROTECTOR	FUSSRASTER LINKS REPOSE-PIED GAUCHE	1 2 3 4 5 6 7 8 9 A B C	

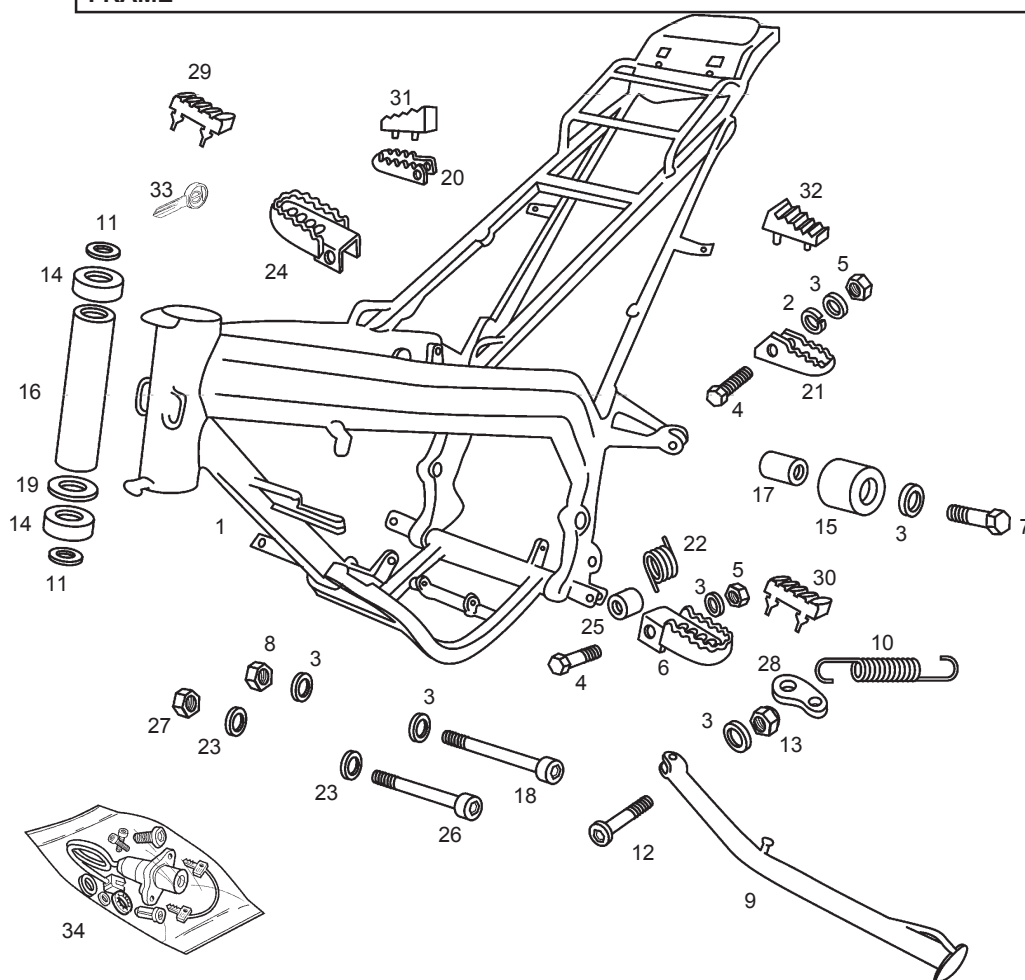


Fig.	Ver.	COD. KOD.	DESCRIPCIÓN DENOMINAZIONE NAME	BEZEICHNUNG DESIGNATION	MOD.	NOTAS NOTES NOTA MITSCHRIFT NOTES
------	------	-----------	--------------------------------	-------------------------	------	-----------------------------------

31A 00H01503101 PROTECT. ESTRIB. DR.
PROTEZIONE STAFFA DESTRA
RIGHT FOOT REST PROTECTOR

RASTER GUMMI RECHTS
PROTECTEUR REPOSE-PIED DROI

1 2 3 4
5 6 7 8
9 A B C

32A 00H01502501 PROTECT. ESTRIB. IZ.
PROTEZIONE STAFFA SINISTRA
LEFT FOOT REST PROTECTOR

RASTER GUMMI LINKS
PROTECTEUR REPOSE-PIED GAUC

1 2 3 4
5 6 7 8
9 A B C

ACCESORIOS OPCIONALES / ACESORI OPCIONALE / OPTIONAL ACCESORIES / WERKZEUG / OTILS FOURNIS

33A 00F01811411 R-LLAVE CERRADURAS.P/MEC.
CHIAVE
LOCK KEYS

SCHLUSSEL
CLEF

1 2 3 4
5 6 7 8
9 A B C

34A 00H04603871 CTO.CERRADURAS
SERRATURE
LOCK WITH KEYS

SCHLOOS-SATZ
ENS.KIT SERRURES

1 2 3 4
5 6 7 8
9 A B C

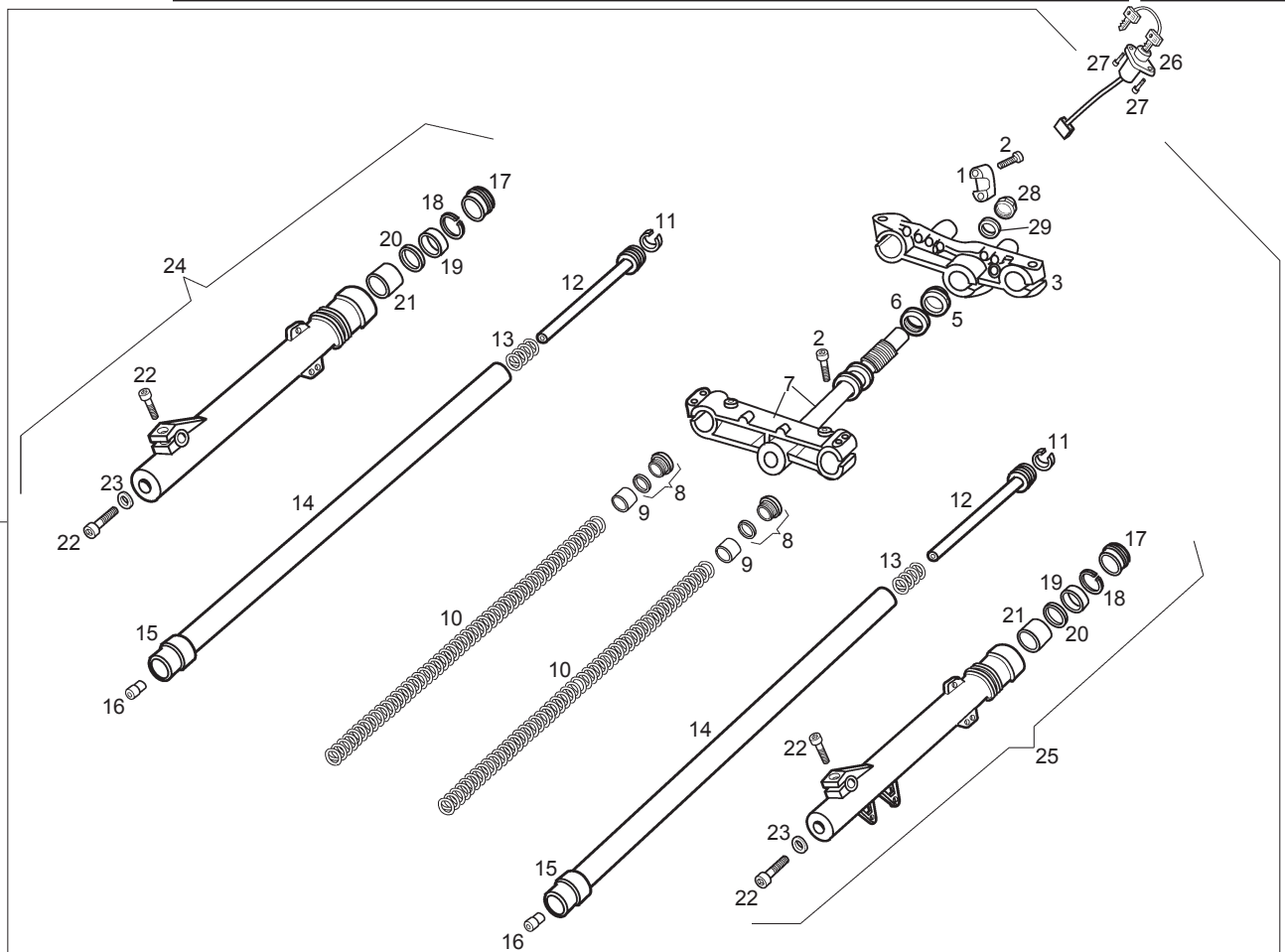


Fig.	Ver.	COD. KOD.	DESCRIPCIÓN DENOMINAZIONE NAME	BEZEICHUNG DESIGNATION	MOD.	NOTAS NOTES NOTA MITSCHRIFT NOTES
01A		00H00201741	R-PUENTE.FIJ.MANILLAR FLANGIA FISSAGGIO MANUBRIO R.8 HANDLEBAR LOCK CLAMP	BUGEL ETRIER FIX GUIDON	1 2 3 4 5 6 7 8 9 A B C	
02A		00004083501	TOR.C/ALLEN.SM125X35.D-912.8.8 VITE C/ALLEN SM125X35.DIN-912 HEX.SOCKET-HEAD SCREW MSX35	INBUSSCHRAUBE 8M125X35 VIS TETE ALLEN 8M125X35	1 2 3 4 5 6 7 8 9 A B C	
03A		00H00208091	R-PLATINA SUP.HORQ. FLANGIA SUPERIORE FORCELLA G R-UPPER FORK PLATE	E-TEIL OBERE GABELPLATTE R-PLATINE SUPVRIEURE FOURCHE G	1 2 3 4 5 6 7 8 9 A B C	
04A		00H00228001	CTO. HORQ. DIRECT. FORCELLA DIRETT. FORCK ASSY	LENKGABEL ENSEMBLE FOURCHE DIRITICE	1 2 3 4 5 6 7 8 9 A B C	
05A		00D00200761	GUARDAPOLVO DIRECCION PARAPOLVERE STERZO DUST COVER, STEM	ABDECKUNG CACHE POUSSIERE DIRECTION	1 2 3 4 5 6 7 8 9 A B C	
06A		00G00200112	TCA.FIJ.TIJA DADO CAP NUT, KORK STEM	BEF. MUTTER ECROU FIXATION TIGE	1 2 3 4 5 6 7 8 9 A B C	
07A		00H00209011	R-SCTO. TIJA-PLAT. FUSTO PIASTRA LOWER TRIPLE CLAMP, W/PIN ASSY	SATTELSTANGE PLATINE INF. AVEC PIVOT	1 2 3 4 5 6 7 8 9 A B C	
08A		00H00204271	R-CTO.TAPON PNA.HORQ. TAPPO GAMBA FORCELLA FORK TUBE CAP	PFRÖPFEN F. GABELSCHENKEL BOUCHON	1 2 3 4 5 6 7 8 9 A B C	
09A		00H00202151	R-CASQ.GUIA PIERNA HORQ. GHIERA GUIDAGGIO GAMBA FORCE BUSHING	FUHRUNGSBUCHSE GABELSCHENK ENTRETOISE	1 2 3 4 5 6 7 8 9 A B C	
10A		00H00206171	R-MUELLE HORQ. MOLLA FORCELLA FORK SPRING	GABELFEDER RESSORT DE FOURCHE	1 2 3 4 5 6 7 8 9 A B C	
11A		00H00200561	R-ARO PISTON HIDRAULICO SEGMENTO PISTON RING	KOLBENRING HYDR. R-ANNEAU DE PISTON HYDRAUL.	1 2 3 4 5 6 7 8 9 A B C	

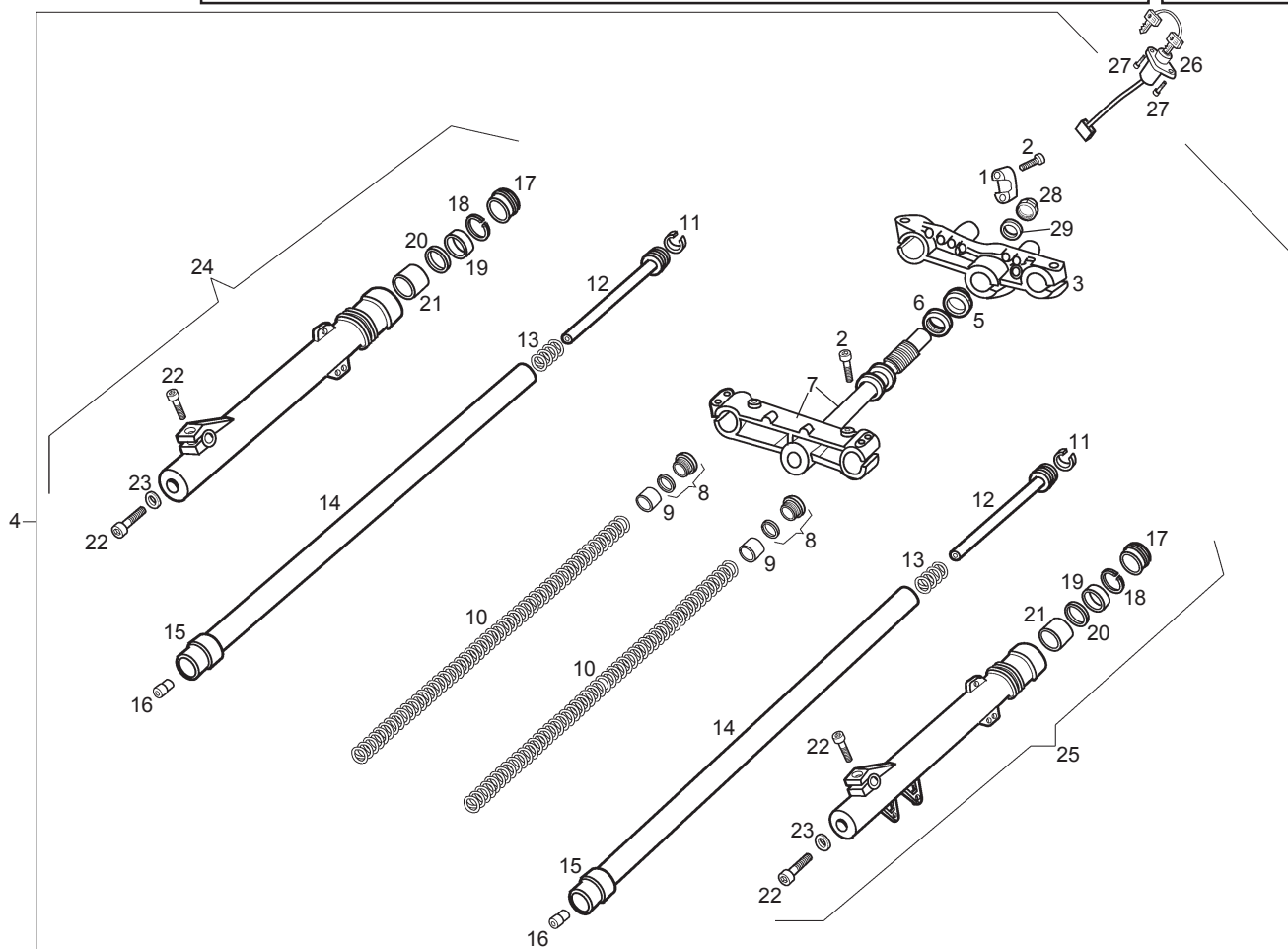


Fig.	Ver.	COD. KOD.	DESCRIPCIÓN DENOMINAZIONE NAME	BEZEICHNUNG DESIGNATION	MOD.	NOTAS NOTES NOTA MITSCHRIFT NOTES
12A		00H00201531	R-CTO. TUBO HIDRAUL. TUBO VALVOLA DAMPER TUBE ASSY.	HYDRAULIKROHR ENSEMBLE TUBE HYDRAULIQUE	1 2 3 4 5 6 7 8 9 A B C	
13A		00H00203881	R-MUELLE RECUPERAC.HORQ. MOLLA RICHIAMO FORCELLA SEND SPRING, REBOUND	FEDER RESSORT DE RECUPERATION	1 2 3 4 5 6 7 8 9 A B C	
14A		00H00204191	TUBO PRINCIPAL TUBO PRINCIPALE FORK TUBE, UPPER	HAUPTROHR TUBE DE FOURCHE	1 2 3 4 5 6 7 8 9 A B C	
15A		00H00203261	R-CASQ.INT.INF.PNA HORQ. GHIERA INTERNA GAMBA FORCELL BUSHING	BUCHSE GABELSCHENKEL ENTRETOISE	1 2 3 4 5 6 7 8 9 A B C	
16A		00H00202201	R-SUPMT.GUARDAP.HORQ. SUPPLEMENTO PARAPOLVERE FORC SUPPLEMENT DUSTGUARD FORK	ZUBEOR STAUBFANGER SUPPLEMENT POUSSIERE FOURCHE	1 2 3 4 5 6 7 8 9 A B C	
17A		00H00202231	R-GUARDAP.HORQ. PARAPOLVERE FORCELLA DUST PROTECTOR, UPPER FORK	RSTAUBFANGER F. GABEL CACHE POUSSIERE	1 2 3 4 5 6 7 8 9 A B C	
18A		00H00200701	R-ANILLO RETENC.ACEITE ANELLO DI FERMO STOP RING	INBUSSCHRAUBE 6M100X25 VIS A TETE ALLEN 6M100X25	1 2 3 4 5 6 7 8 9 A B C	
19A		00H00203471	R-CASQ.RETENC.ACEITE GIUNTO TENUTA GAMBA FORCELLA SEAL, FORK TUBE.	DICHTRING JOINT SPI FOURCHE	1 2 3 4 5 6 7 8 9 A B C	
20A		00H00201441	R-ARAND.CASQ.GUIA PNA.HORQ.LOB ANELLO TORICO TAPPO INFERIOR O RING	RING PFROPFENSCHRAUBE JOINT	1 2 3 4 5 6 7 8 9 A B C	
21A		00H00201581	R-CASQ.GUIA MUELLE HORQ. GUIDA MOLLA FORCELLA SPRING FORK GUIDE	FUHRUNG F. GABELFEDER GUIDE RESSORT FOURCHE	1 2 3 4 5 6 7 8 9 A B C	
22A		00004162500	TOR.C/ALLEN.6M100X25.D-912 VITE TESTA ALLEN 6M100X25. DIN- HEX.SOCKET-HEAD SCREW 6MX25	INBUSSCHRAUBE 6M100X25 VIS TETE ALLEN 6M100X25	1 2 3 4 5 6 7 8 9 A B C	

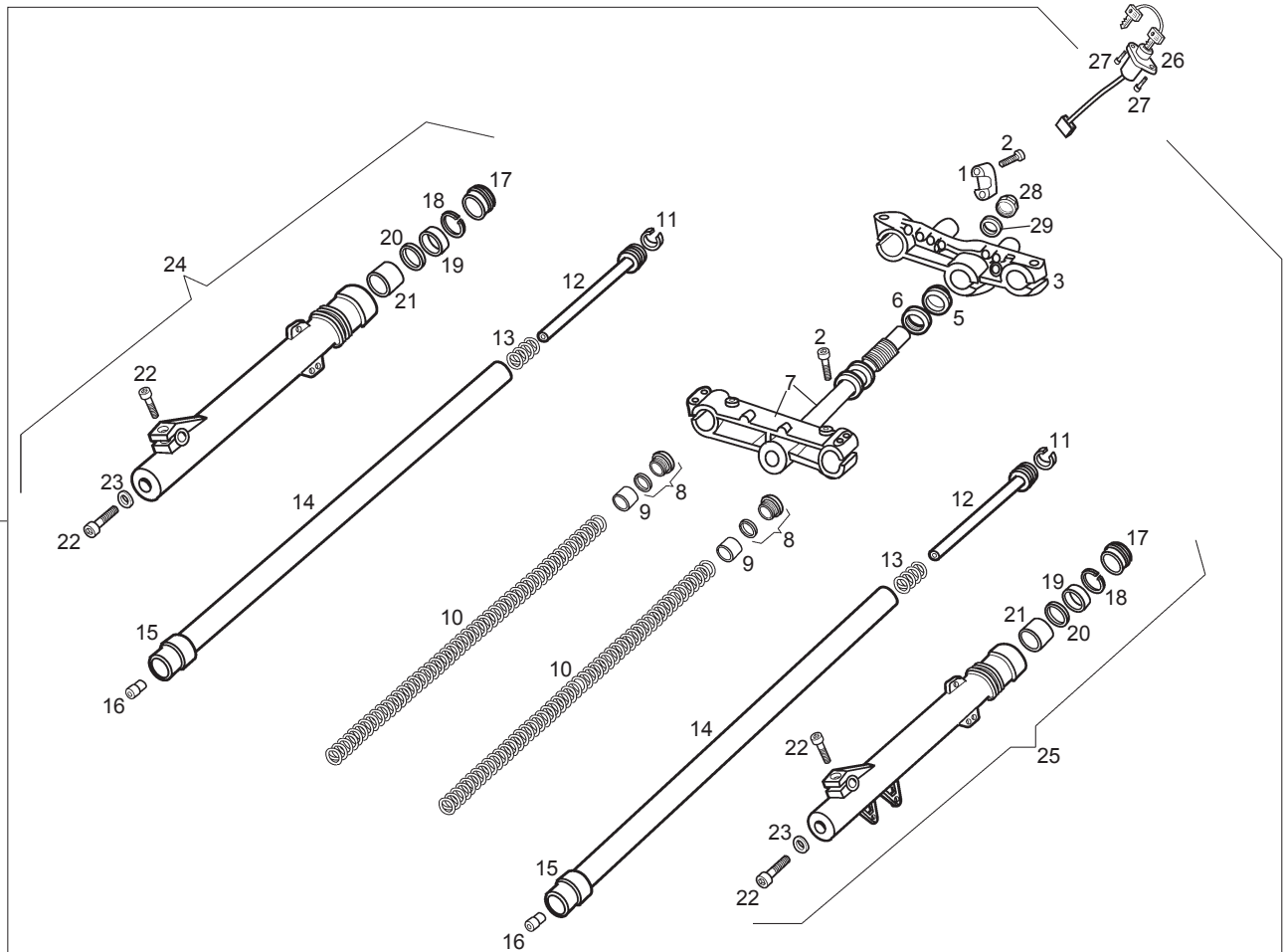


Fig.	Ver.	COD. KOD.	DESCRIPCIÓN DENOMINAZIONE NAME	BEZEICHNUNG DESIGNATION	MOD.	NOTAS NOTES NOTA MITSCHRIFT NOTES
23A		00000031060	ARAND.PLANA MECANIZ.D.6.DIN125 RONDELLA PIATTA D6 MACHINED FLAT WASHER D6 DIN-12	ASCHEIBE D.6 ROND. PLATE MECANISEE D6DIN125	1 2 3 4 5 6 7 8 9 A B C	
24A		00H02013041	R-CTO.TUBO PNA IZ.HORQ. ASTA SINISTRA FORK TUBE LOWER LEFT ASSY	GABELBEIN LINKS ENSEMBLE BRANCHE GAUCHE	1 2 3 4 5 6 7 8 9 A B C	
25A		00H02012031	R-CTO.TUBO PNA DR.HORQ. ASTA DESTRA FORKTUBE LOWER RIGHTASSY	GABELBEIN RECHTS BRANCHE DROITE ENSEMBLE	1 2 3 4 5 6 7 8 9 A B C	
26A		00H01610381	CTO.CERRAD.CONTACTO.BI-3. SERRATURE SCHLOSS	ZUNDSCHLOB SERRURE	1 2 3 4 5 6 7 8 9 A B C	
27A		00000004820	TOR.C/ALLEN.BM125X20.D-912.8.8 VITE TESTA ALLEN BM125X20.D-91 ALLEN-HEAD SCREW 8M125X20	INBUSSCHRAUBE 8M125X20 VIS TETE ALLEN 8M125X20	1 2 3 4 5 6 7 8 9 A B C	
28A		00H00201111	TCA.FIJ.TIJA DADO FISS.CANNELLO FORCEL. STEERING STEM NUT	MUTTER Z. BEF.SATELSTANGE-GA ECROU FIX PIVOT	1 2 3 4 5 6 7 8 9 A B C	
29A		00H00202101	ARANDELA FIJ.TIJA RONDELLA WASHER	SCHEIBE Z.BEF. SATELSTANGE-G RONDELLE FIX PIVOT	1 2 3 4 5 6 7 8 9 A B C	
30A		00008902630	ARAND.TAPON TUBO PIERNA RONDELLA WASHER	DICHTRING RONDELLE	1 2 3 4 5 6 7 8 9 A B C	

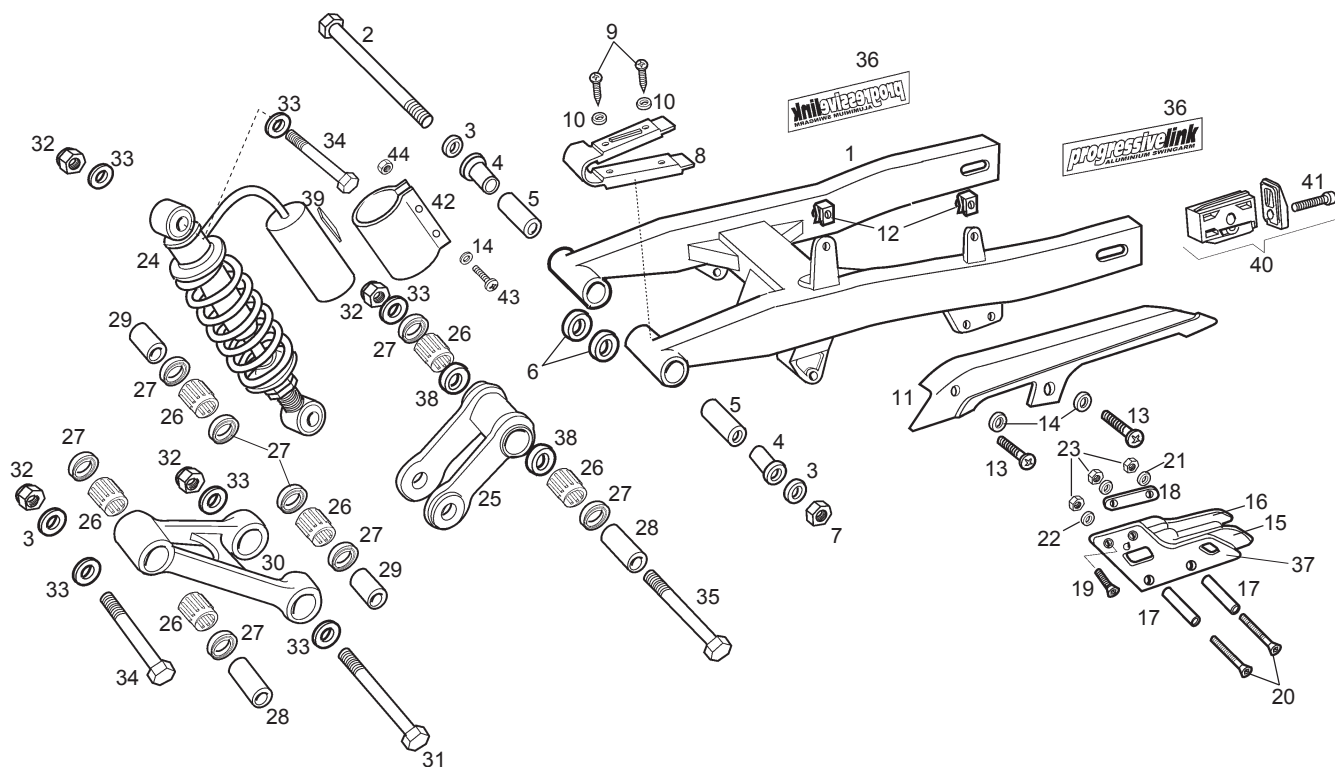


Fig.	Ver.	COD. KOD.	DESCRIPCIÓN DENOMINAZIONE NAME	BEZEICHUNG DESIGNATION	MOD.	NOTAS NOTES NOTA MITSCHRIFT NOTES
01A		00H00314971	R-SCTO.BASCTE.C/C. RIBALTABILE SWING ARM SUB-ASSY	SCHWINGENACHSE BRAS OSCILLANT	1 2 3 4 5 6 7 8 9 A B C	
02A		00H01304202	SCTO.EJE BASCTE.C-4. ASSE RIBALTABILE SWING ARM SUB-ASSEMBLY	HINTERRADACHSE AXE DE BRAS OSCILLANT	1 2 3 4 5 6 7 8 9 A B C	
03A		00D01300192	ARAND. EJE RUEDA RONDELLA ASSE RUOTA FRONT WHEELAXLE WASHER	SHEIBE RADACHSE RONDELLE AXE ROUE	1 2 3 4 5 6 7 8 9 A B C	
04A		00002503230	CASQ.EJE BASCTE.C-4. C GHIERA ASSE RIBALTABILE C-4 SWING ARM BUSHING	BUCHSE ENTRETOISE AXE BRAS OSCIL	1 2 3 4 5 6 7 8 9 A B C	
05A		00H00301401	CASQ.CARTELA MOTOR. GHIERA ORECCHIA MOTORE ENGINE BRACKET BUFFER BUSHING	BUCHSE ENTRETOISE AXE BRAS OSCIL	1 2 3 4 5 6 7 8 9 A B C	
06A		00D01300191	ARAND.EJE RUEDATRAS. RONDELLA ASSE RUOTA POSTERIORE WHEEL AXLE WASHER	SCHEIBE RONDELLE D12,5X30X2MM	1 2 3 4 5 6 7 8 9 A B C	
07A		00000023120	TCA.AUTOBLOC. 12M150. DIN-985. DADO AUTOBLOCANTE 12M150 DIN SELF-LOCKING NUT 12M150	MUTTER ECROU IDESSERABLE 12M150	1 2 3 4 5 6 7 8 9 A B C	
08A		00H01804331	PLACA ROZAMTO.CADENA PIASTRA ATTRITO CATENA CHAIN FORCHIN PLATE/FLARGE	KETTEN-REIBPLATTE PLAQUE GLISSEMENT CHAINE	1 2 3 4 5 6 7 8 9 A B C	
09A		00011141300	TOR. AUT. C/C R. N G.4,8X13. D-7981 B VITE AUTOFIETTANTE TESTA CROC SCREW, SELF TAPPING 4.8MM13	SCHRAUBE BOULON	1 2 3 4 5 6 7 8 9 A B C	
10A		00D02600631	ARAND.TOPE MUELLE EMBRG.4-6V. RONDELLA FERMO MOLLA FRIZIONE CLUTCH SPRING STOP WASHER	SCHEIBE ROND.BUTEE RESSORT EMBRAYA.4-6	1 2 3 4 5 6 7 8 9 A B C	
11A		00H01508181	CUBRECADENA COPRICATENA CHAIN COVER	KETTENSCHUTZ COUVRE CHAINE	1 2 3 4 5 6 7 8 9 A B C	

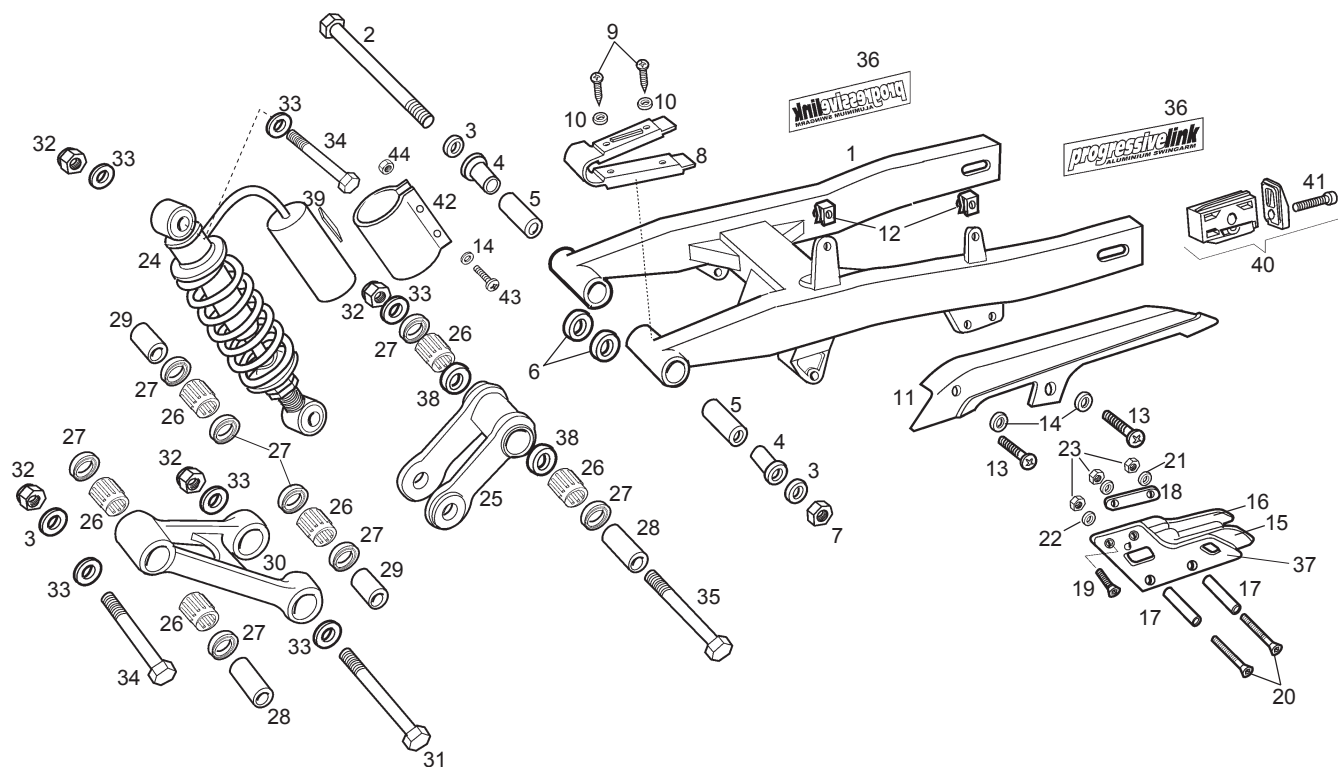


Fig.	Ver.	COD. KOD.	DESCRIPCIÓN DENOMINAZIONE NAME	BEZEICHUNG DESIGNATION	MOD.	NOTAS NOTES NOTA MITSCHRIFT NOTES
12A		00D01501371	TCA. FIJ.CUBRECAD.212827 DADO FISSAGGIO NUT	SICHERUNGSMUTTER BEF. KETTENSO ECROU FIX. GARDE-CHAINE 213091	1 2 3 4 5 6 7 8 9 A B C	
13A		00012161600	TOR. C/CRUZ. NG.6M100X16. D-7985 VITE TESTA CROCE NERA PHILIPS SCREW	SCHRAUBE 6M100X16 D-7985 VIS T.CROIX NOIR 6M100X16 D-79	1 2 3 4 5 6 7 8 9 A B C	
14A		00D01200171	ARAND.EJE LEVA-FIJ.CUBRECAD. RONDELLA WASHER	SCHIEBE ROND.AXE CAME FIX.COUVRE-CHAIN	1 2 3 4 5 6 7 8 9 A B C	
15A		00H01802291	GUIA INT.GUIA CADENA PIASTRA DESTRA GUIDA CATENA SE RT.CHAIN GUIDE PLATE	GUIA INT.GUIA CADENA PLAQUE DROITE	1 2 3 4 5 6 7 8 9 A B C	
16A		00H01803771	GUIA EXT.GUIA CADENA GUIDA SOSTEGNO CATENA SV/91 CHAIN SUPPORT GUIDE	GLEITBAHN GUIDE CHAINE	1 2 3 4 5 6 7 8 9 A B C	
17A		00H01801791	CASQ. PLACA GUIA CADENA VITE TESTA CROCE NERA BUSH	BUCHSE ENTRETOISE	1 2 3 4 5 6 7 8 9 A B C	
18A		00H01800811	PLACA FIJ. GUIA CADENA PIASTRA DESTRA GUIDA CATENA SE RT.CHAIN GUIDE PLATE	HALTER KETTEN FUHRUNG PLAQUE DROITE	1 2 3 4 5 6 7 8 9 A B C	
19A		00013061200	TOR.C/AVELL. ALL. 6M100X12 D-7991 VITE SCREW	SCHRAUBE VIS	1 2 3 4 5 6 7 8 9 A B C	
20A		00013054500	TOR.C/AVELL. ALL. 5M80X45.D- VITE SCREW	SCHRAUBE VIS	1 2 3 4 5 6 7 8 9 A B C	
21A		00000031050	ARAND.PLANA MEC.D.5.DIN125-B RONDELLA PIATTA D5 MACHINED FLAT WASHER D5	SCHIEBE D.5 DIN-125 ROND.PLATE MECANISEE D.5.DIN12	1 2 3 4 5 6 7 8 9 A B C	
22A		00000031060	ARAND. PLANA MECANIZ.D.6.DIN125 RONDELLA PIATTA D6 MACHINED FLAT WASHER D6 DIN-12	SCHIEBE D.6 ROND. PLATE MECANISEE D6DIN125	1 2 3 4 5 6 7 8 9 A B C	

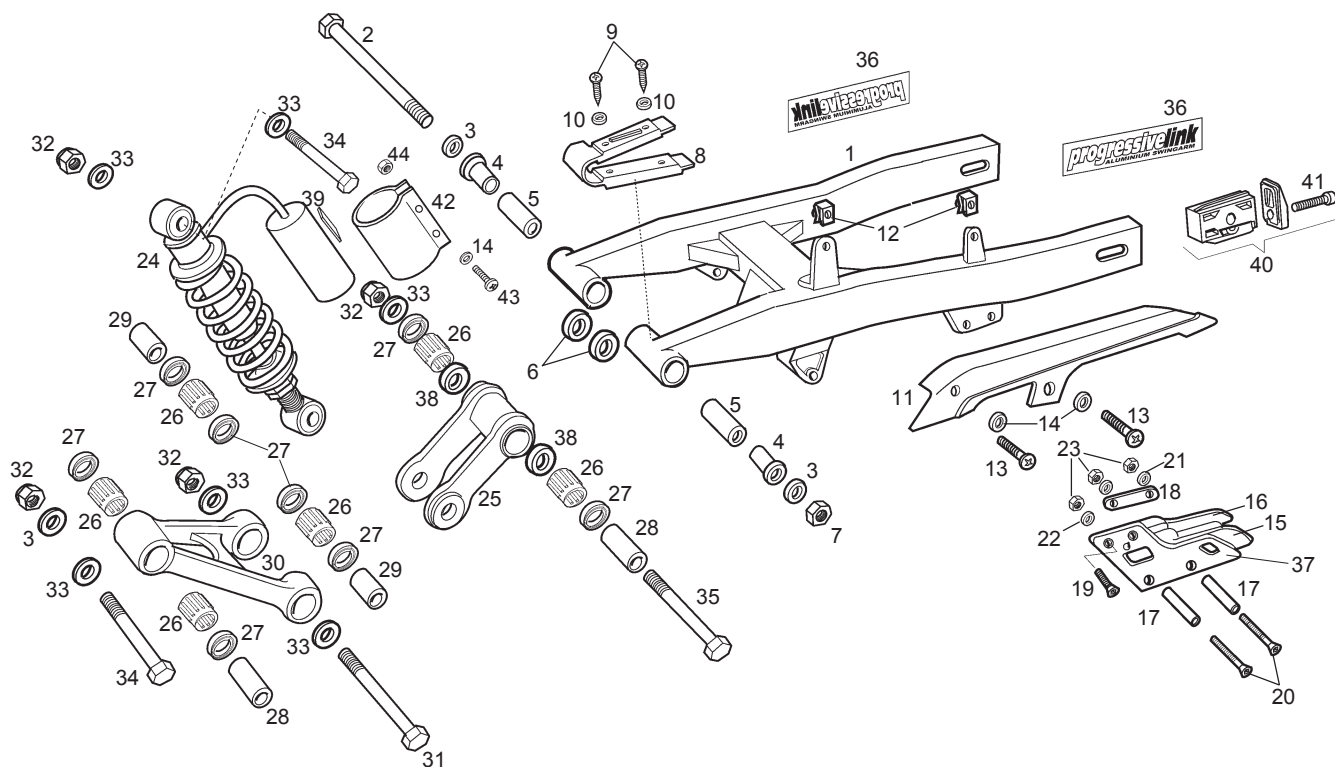


Fig.	Ver.	COD. KOD.	DESCRIPCIÓN DENOMINAZIONE NAME	BEZEICHNUNG DESIGNATION	MOD.	NOTAS NOTES NOTA MITSCHRIFT NOTES
23A		00000023051	TCA.AUTOBLOC. 5M80. DIN-982. DADO AUTOBOCCANTE 5M80 DIN-982 SELF-LOCKING NUT 5M80	MUTTER SELBSTS 5M80 DIN-98259 ECROU INDESSERRABLE 5M80 DIN-9	1 2 3 4 5 6 7 8 9 A B C	
24A		00H01511191	CTO.AMORTIGUADOR AMMORTIZZATORE SHOCK ABSORBER	FEDERBEIN AMORTISSEUR	1 2 3 4 5 6 7 8 9 A B C	
25A		00H00301801	SCTO.BIELA ARTICUL. SCTO.BIELA ARTICUL. SUSPENSION LINKS ARTICULATION	U-GRUPPE ANGELENKTES PLEUEL S/ENSEMBLE BIELLE ARTICULATION	1 2 3 4 5 6 7 8 9 A B C	
26A		00H00301701	JAULA AGUJAS BIELETAS GABBIA SPILLI BIELLETTE SUSPENSION LINKS NEEDLE BEARING	NADELK < FIG PLEUEL CAGE AIGUILLES BIELLETTES	1 2 3 4 5 6 7 8 9 A B C	
27A		00H00301871	RETEN JAULA AG.BIELETAS GIUNTO TENUTA GABBIA SPILLI SUSPENSION LINKS NEEDLE BEARING	DICHTRING NADELK < FIG PLEUEL JOINT CAGE AIGUILLES BIELLETTE	1 2 3 4 5 6 7 8 9 A B C	
28A		00H00301851	CASQ.BIELA ARTIC. BRONZINA BIELLA SNODO ARTICULATION LINK BUSH	BUCHSE ANGELENKTES PLEUEL DOUILLE BIELLE ARTICULATION GP	1 2 3 4 5 6 7 8 9 A B C	
29A		00H00301861	CASQ.INT.BIELA ARTIC.. BRONZINA INTERNA BIELLA SNODO INNER ARTICULATION LINK BUSH G	INNERE BUCHSE ANGELENKTES PLE DOUILLE INTvRIEURE BIELLE ARTI	1 2 3 4 5 6 7 8 9 A B C	
30A		00H00301831	SCTO.BIELA TRIANG.ARTIC. BIELLA TRIANGOLO SUSPENSION TRIANGULATION LINKS	U-GRUPPE ANGELENKTE TRIANGULA S/ENSEMBLE BIELLE TRIANGLE ART	1 2 3 4 5 6 7 8 9 A B C	
31A		00H00300891	TOR. FIJ. AMORT. 12M175X110 VITE FISSAGGIO AMMORTIZZATORE SHOCK ABSORBER SECURING SCREW	STOSSD<MPFER BEFESTIGUNGSMUT VIS FIXATION AMORTISSEUR 12M17	1 2 3 4 5 6 7 8 9 A B C	
32A		00023112000	TCA.AUTOBLOC.12M175. D-985/8.8. DADO AUTOBOCCANTE 12M175.D-98 SELF-LOCKING NUT 12M175	MUTTER SELBSTS 12M175 ECROU INDESSERRABLE12M175	1 2 3 4 5 6 7 8 9 A B C	
33A		00H01500421	ARAND. FIJ.INF.AMORT. RONDELLA FISSAGGIO INFERIORE A LOWER SHOCK ABSORBER SECURING	UNTERE BEFESTIGUNGSSCHEIBE RONDELLE FIXATION INFERIEUR AM	1 2 3 4 5 6 7 8 9 A B C	

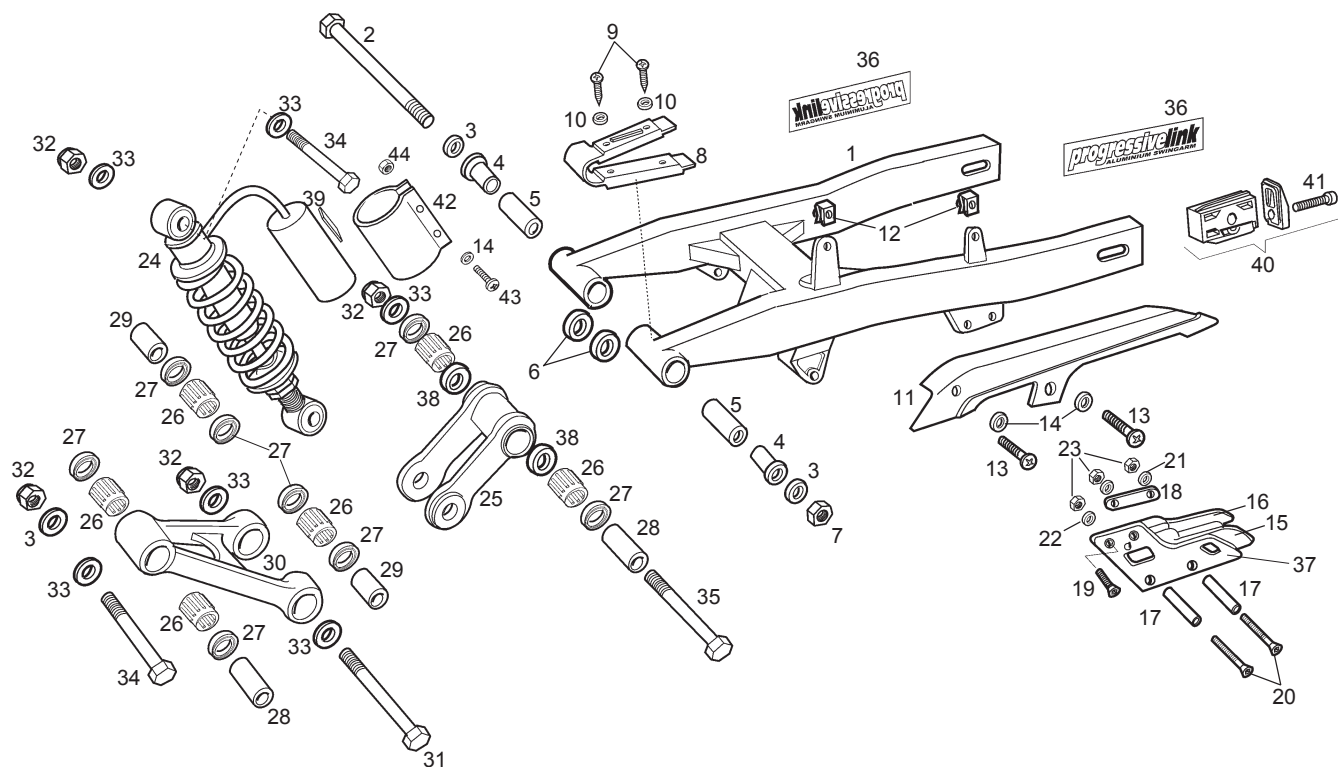


Fig.	Ver.	COD. KOD.	DESCRIPCIÓN DENOMINAZIONE NAME	BEZEICHUNG DESIGNATION	MOD.	NOTAS NOTES NOTA MITSCHRIFT NOTES
34A		00H06800471	TG R. FIJ. B I ELA AMORT.12M175X70 VITE FISSAGGIO BIELLA AMMORTIZ. SHOCK ABSORBER ARM SECURING SC	BEFESTIGUNGSSCHRAUBE STOSSD VIS FIXATION BIELLE AMORTISSEU	1 2 3 4 5 6 7 8 9 A B C	
35A		00H00301891	TOR. FIJ. BI ELETAS.12M175X120 VITE FISSAGGIO AMMORTIZZATORE SHOCK ABSORBER SECURING SCREW	STOSSD<MPFER BEFESTIGUNGSMUT VIS FIXATION AMORTISSEUR	1 2 3 4 5 6 7 8 9 A B C	
36A		00H00305331	CALCA BASCTE. DECALCO RIBALTABILE DECAL	ABZIEHBILD ADHESIF	1 2 3 4 5 6 7 8 9 A B C	
37A		00H01801721	PLACA IZ.GUIA CADENA PIASTRA SINISTRA GUIDA CATENA LF.CHAIN GUIDE PLATE	HALTER KETTENFUHRUNG PLAQUE GAUCHE	1 2 3 4 5 6 7 8 9 A B C	
38A		00001213190	CASQUILLO FIJ. BIELA BRONZINA BUSH	DISTANZHULSE ENTRETOISE	1 2 3 4 5 6 7 8 9 A B C	
39A		00H02200791	TOPE DPSTO.AMORT. FERMO SUP.COPERC.ANT. RT.HAND SIDE COVER TOP END	DECKEL SILENTBLOCPLAQUE	1 2 3 4 5 6 7 8 9 A B C	
40A		00H01304811	R-CTO.TENSOR RUEDATR. TENSORE RUOTA ADJUSTER, REAR WHEEL ASSY	HINTERRADSPANNER TENDEUR DE ROUE ENSEMBLE	1 2 3 4 5 6 7 8 9 A B C	
41A		00H01301491	TOR.C/ALLEN M.SX50. VITE TESTA ALLEN MSX50 SREW	INBUSSCHRAUBE M8'X50 VIS TETE ALLEN M80X50	1 2 3 4 5 6 7 8 9 A B C	
42A		00H02201521	BRIDA FIJ.DEPSTO. AMORT. FASCETTA CLAMP	BEF.-SCHELLE ENTRETOISE	1 2 3 4 5 6 7 8 9 A B C	
43A		00012063000	TORNILLO 6X30 VITE 6X30 SCREW 6X30	SCHRAUBE 6X30 VIS 6X30	1 2 3 4 5 6 7 8 9 A B C	
44A		00000021060	TCA.EXAG. 6M100 DADO ESAGONALE 6M100 HEXAGON NUT 6M100	MUTTER 6M100 ECROU HEXAGONAL 6M100	1 2 3 4 5 6 7 8 9 A B C	

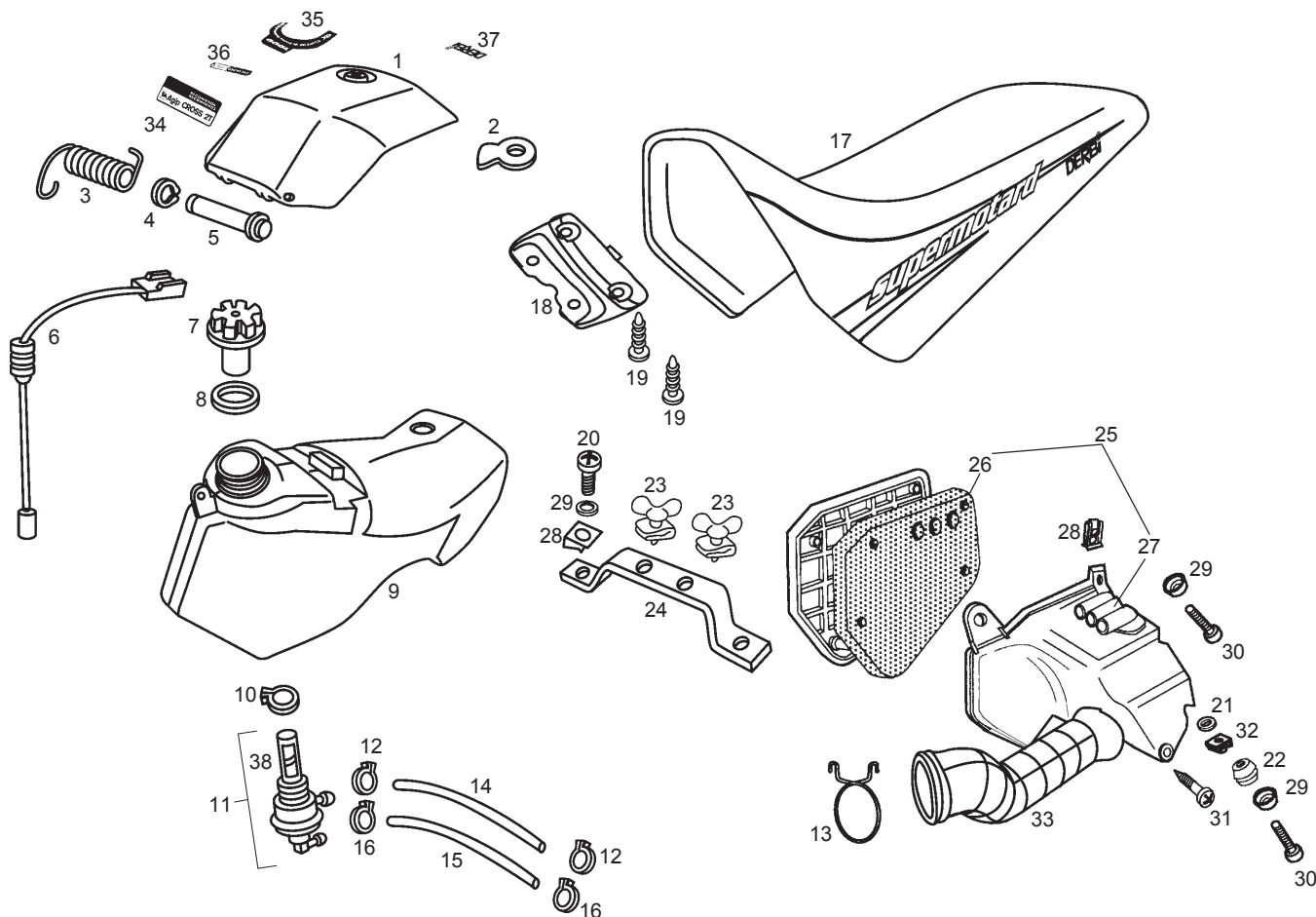


Fig.	Ver.	COD. KOD.	DESCRIPCIÓN DENOMINAZIONE NAME	BEZEICHNUNG DESIGNATION	MOD.	NOTAS NOTES NOTA MITSCHRIFT NOTES
01A		00H00414682	TAPA SUP. DEPÓSITO AZUL CARCASSA SUP. SERBATOIO TOP TANK FRAME	TANKKLAPPE COUVERCLE DE RESERVOIR	1 2 3 4 5 6 7 8 9	
01B		00H00414684	TAPA SUP. DEPÓSITO AZUL CARCASSA SUP. SERBATOIO TOP TANK FRAME	TANKKLAPPE COUVERCLE DE RESERVOIR		A B C
02A		00H00604141	PALANCA CIERRE LEVA LEVER	SCHLOSS-VERSCHLUSSHEBEL LEVIER FERMETURE SELLE	1 2 3 4 5 6 7 8 9 A B C	
03A		00H06303762	MUELLE ARTIC.TAPA DEPTO.GASOL. MOLLA ARTIC. COPER. SUP. SERB. SPRING	RITZELFEDER RESSORT	1 2 3 4 5 6 7 8 9 A B C	
04A		00047030400	ANILLO SEGE.JES D.4.DIN-6799. ANELLO SICUREZZA ASSI D.4 PIN SECURING CIRCLIP D4. DIN-6	SICHERHEITSRING ACHSE D.4 ANNEAU SECURITE AXE D.4	1 2 3 4 5 6 7 8 9 A B C	
05A		00H06303752	EJE ARTIC.TAPA DEPOS.GASOLINA ASSE ARTIC. COPER.SUP.SERB. AXLE	STIFT AXE	1 2 3 4 5 6 7 8 9 A B C	
06A		00H04302181	CTO. NIVEL GASOLINA LIVELLO BENZINA SEND GAS LEVEL SENSOR ASSY.	KRAFTSTOFFSTAND ENSEMBLE FLOTTEUR ESSENCE	1 2 3 4 5 6 7 8 9 A B C	
07A		00F00400131	CTO. TAPON DEPTO. GASOLINA V. BOX TAPPO SERBATOIO BENZINA FUEL TANK CAP ASSY	FUEL TANK CAP ASSY ENS.BOUCHON RESERV.ESSENCE V.B	1 2 3 4 5 6 7 8 9 A B C	
08A		00F00400771	R-ARAND. TAPON DEPOSITO RONDELLA TAPPO SERBATOIO FUEL TANK CAP WASHER	SCHEIBE F.TANKDECKEL R-RONDELLE BOUCHON RESERVOI	1 2 3 4 5 6 7 8 9 A B C	
09A		00H00405011	DEPOSITO.GASOLINA SERBATOIO BENZINA FUEL TANK	BENZINTANK RESERVOIR ESSENCE	1 2	
09B		00H00406011	DEPOSITO.GASOLINA SERBATOIO BENZINA FUEL TANK	BENZINTANK RESERVOIR ESSENCE	3 4 5 6 7 8 9 A B C	

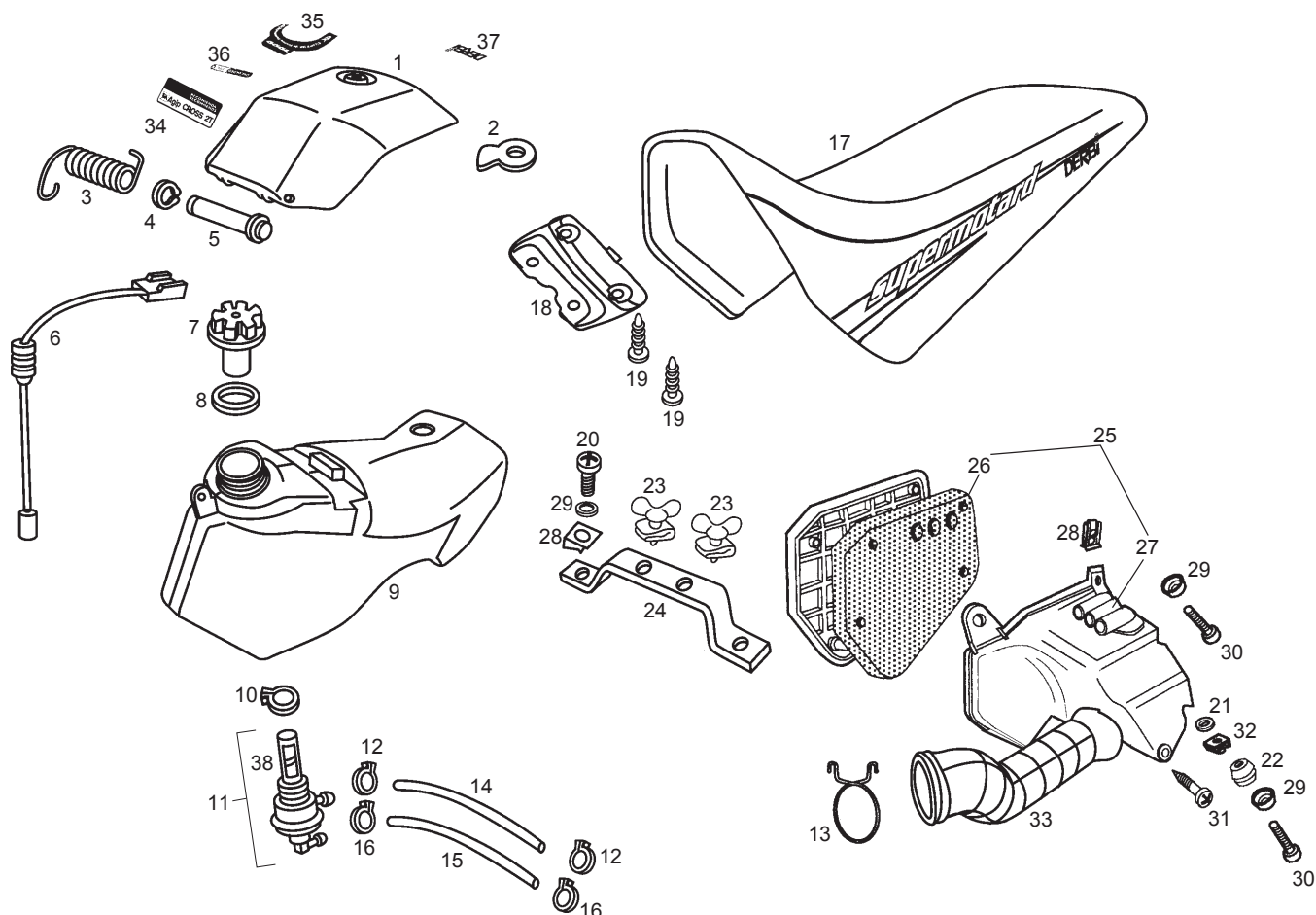


Fig.	Ver.	COD. KOD.	DESCRIPCIÓN DENOMINAZIONE NAME	BEZEICHUNG DESIGNATION	MOD.	NOTAS NOTES NOTA MITSCHRIFT NOTES
10A		00G00400501	ABRAZ.FIJ.GRIFO.16-25 FASCETTA FISSAGGIO RUBINETTO FUEL COCK SECURING CLAMP	BEF.-SCHELLE F.HAHN 16-2 BRIDE FIXATION ROBINET.16-2	1 2 3 4 5 6 7 8 9 A B C	
11A		00G00400181	CTO. GRIFO GASOLINA RUBINETTO BENZINA FUEL COCK ASSY	KRAFTSTOFFHAHN UNTERDRUCK ENSEMBLE ROBINET ESSENCE	1 2 3 4 5 6 7 8 9 A B C	
12A		00D03700131	ABRAZ.ELAST.9.8 FASCETTA ELASTICA TUBO BENZINA FUEL PIPE ELASTIC CLAMP	ELAST.KLAMMER GASLEITUNG CRAMPON ELASTIQUE TUBE ESSE	1 2 3 4 5 6 7 8 9 A B C	
13A		00G03204272	MUELLE TUBO ADMISION ANELLO CARB. AIR INTAKE TUBE	SCHAUCHSCHELLE COLLIER	1 2 3 4 5 6 7 8 9 A B C	
14A		00F00403321	TUBO GASOLINA V.TOP. TUBO BENZINA FUEL PIPE	BENZINSCHLAUCH TUYAU ESSENCE	1 2 3 4 5 6 7 8 9 A B C	
15A		00H06201061	TUBO DEPRESION TUBO DEPRESSIONE DEPRESSION PIPE	BENZINSCHLAUCH TUYAU ESSENCE	1 2 3 4 5 6 7 8 9 A B C	
16A		00F03710131	ABRAZ. ELAST.D.816 FASCETTA ELASTICA D.816 CLAMP	BEF.-SCHELLE ENTRETOISE	1 2 3 4 5 6 7 8 9 A B C	
17A		00H00617011	CTO.SILLIN COMP.SELLINO SEAT	SITZBANK SELLE	1 2 3 4 5 6 7 8 9	
17B		00H00617012	CTO.SILLIN COMP.SELLINO SEAT	SITZBANK SELLE		A B C
18A		00H00600341	SUPLEMENTO BASE SILLIN SUPPLEMENTO SELLINO SEAT SUPPLEM.	ZUBEHÖR SITZBANK SUPL.SELLE	1 2 3 4 5 6 7 8 9 A B C	
19A		00011051801	TORNILLO PARA PLASTICO 5.1 X 18 VITE AUTOFILETTANTE 5,1 X 18 SELF-TAPPING SCREW	SELF-TAPPING SCREW VIS TARAUD	1 2 3 4 5 6 7 8 9 A B C	

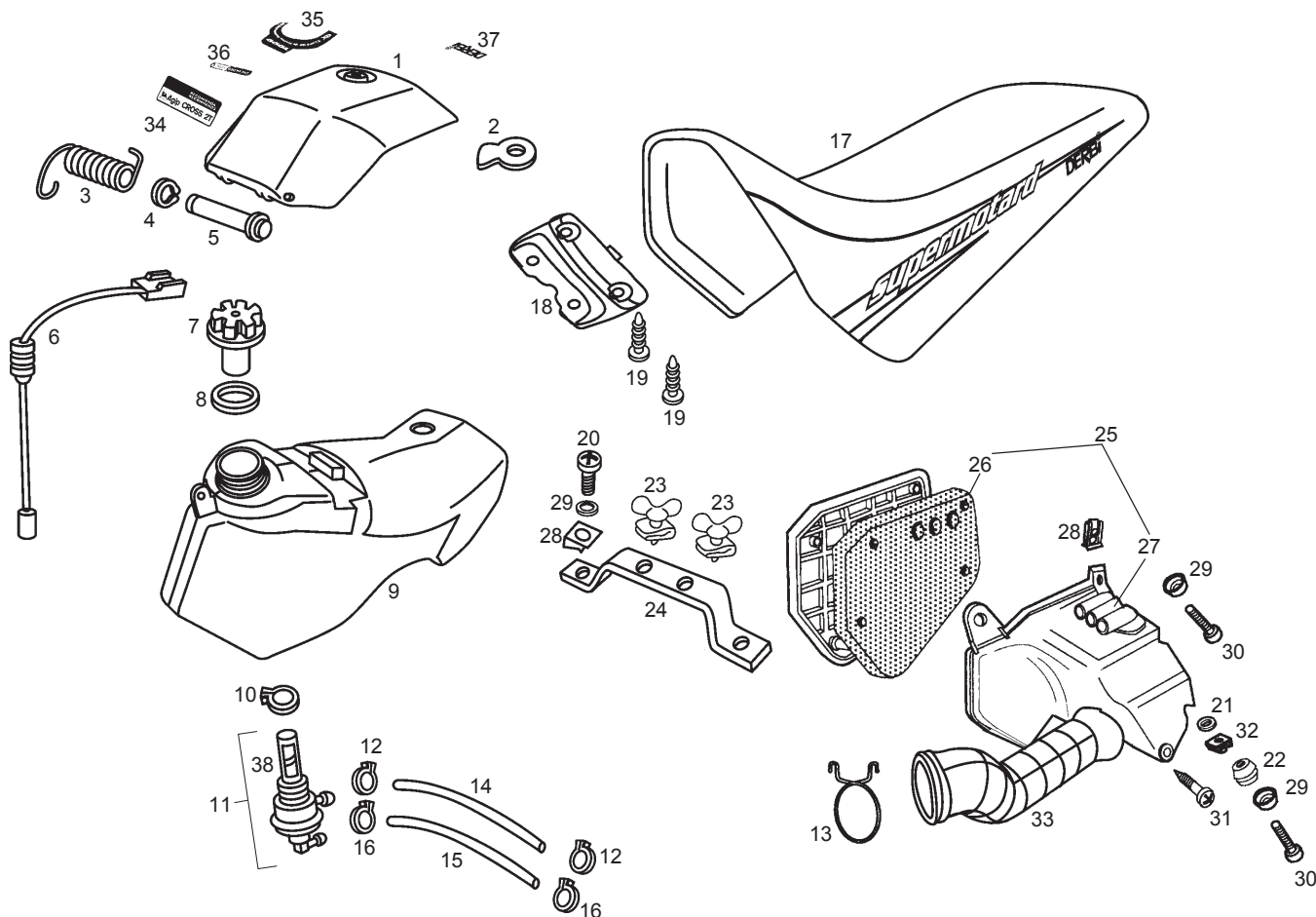


Fig.	Ver.	COD. KOD.	DESCRIPCIÓN DENOMINAZIONE NAME	BEZEICHNUNG DESIGNATION	MOD.	NOTAS NOTES NOTA MITSCHRIFT NOTES
20A		00012061200	TOR. C/CR. 6 M 100 X 12 VITE TONDO CROCE 6 X 12 SCREW 6 X 12	SCHRAUBE.6M100X12.NG.D-798 VIS A TETE RONDE A FENTES C	1 2 3 4 5 6 7 8 9 A B C	
21A		00008915020	PROTECCION CABLES PROTEZIONE CAVI RUBBER, CABLE PROTECTOR	GUMMI PASSE-CABLE	1 2 3 4 5 6 7 8 9 A B C	
22A		00D01500552	CAZLTA. FIJ. SILENC. SCADELLINO FISSAGGIO HOUSING	ABDECKSCHEIBE CUVETTE	1 2 3 4 5 6 7 8 9 A B C	
23A		00H06100261	CTO.CIERRE REPIDO CHIUSURA SELLINO LOCKING ASSY	SCHOLSS ENSEMBLE SERRURE	1 2 3 4 5 6 7 8 9 A B C	
24A		00H00404051	PUENTE FIJ. DPSTO. SUPPORTO INF. SERBATOIO LOWER FUEL TANK BRACKET	LOWER FUEL TANK BRACKET GPRÈRE SUPPORT INFÉRIEUR RËSERVOIR ES	1 2 3 4 5 6 7 8 9 A B C	
25A		00H01800541	CTO.CAJA FILTRO CASSA FILTRO AIR FILTER BOX	FILTERKASTEN ENSEMBLE BOITE FILTRE	1 2 3 4 5 6 7 8 9 A B C	
26A		00H03201251	ESPUMA FILTRO AIRE ESPANSO FILTRO ARIA AIR FILTER MESH	LUFTFILTERSCHAUM FILTRE AIR	1 2 3 4 5 6 7 8 9 A B C	
27A		00D03210491	TUBO ASPIRACION TUBO ASPIRAZIONE YUMBO FD AIR INTAKE	SAUGROHR TUBE DIASPIRATION	1 2 3 4 5 6 7 8 9 A B C	
28A		00D01501371	TCA. FIJ. CUBRECAD.212827 DADO FISSAGGIO NUT	MUTTER ECROU	1 2 3 4 5 6 7 8 9 A B C	
29A		00D01200171	ARAND.EJE LEVA-FIJ.CUBRECAD. RONDELLA WASHER	SCHEIBE RONDELLE	1 2 3 4 5 6 7 8 9 A B C	
30A		00012161600	TOR.C/CRUZ.NG.6M100X16 D-7985 VITE TESTA CROCE NERA PHILIPS SCREW	SCHRAUBE 6M100X16 D-7985 VIS T.CROIX NOIR 6M100X16 D	1 2 3 4 5 6 7 8 9 A B C	

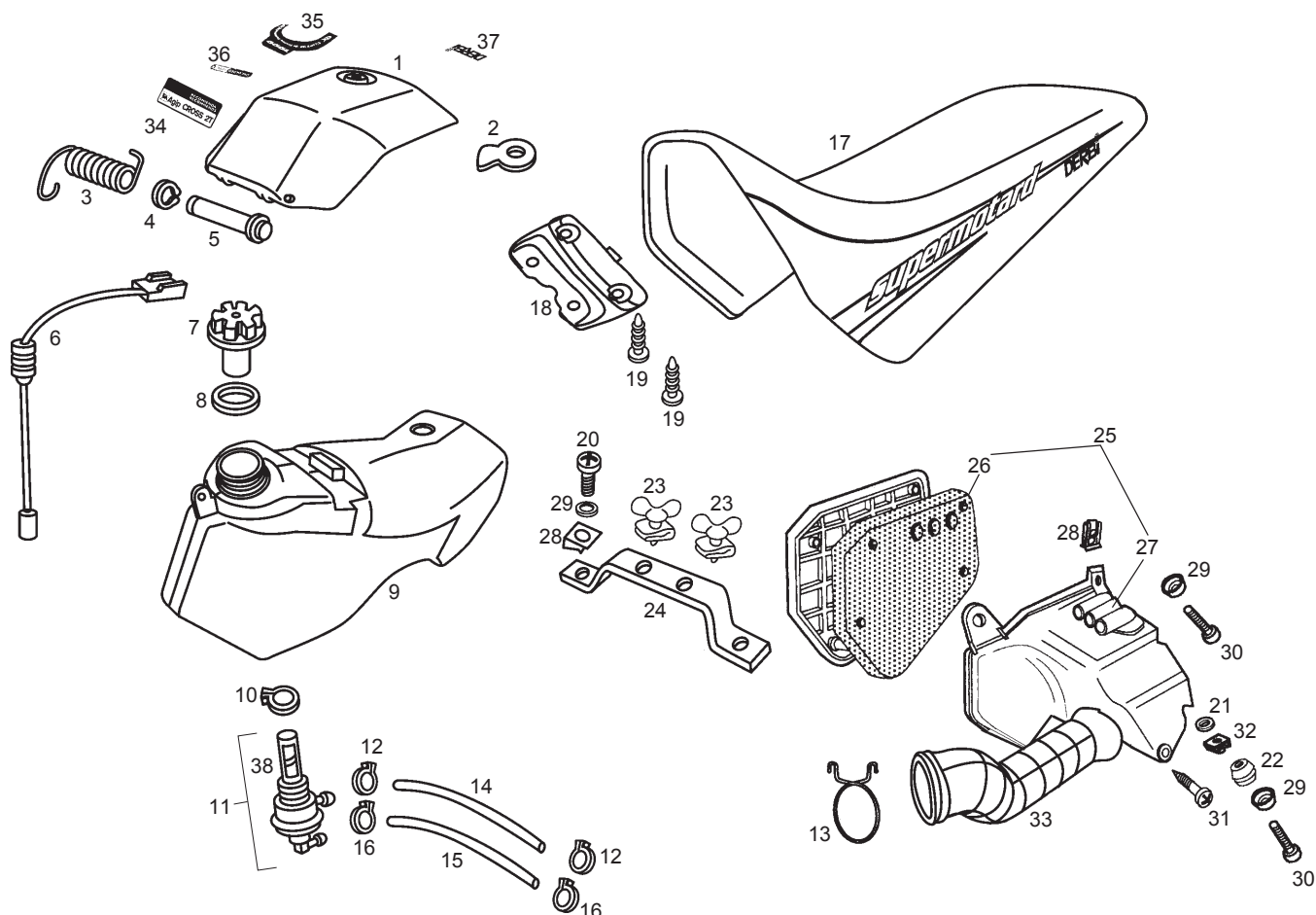


Fig.	Ver.	COD. KOD.	DESCRIPCIÓN DENOMINAZIONE NAME	BEZEICHUNG DESIGNATION	MOD.	NOTAS NOTES NOTA MITSCHRIFT NOTES
31A		00073481964	TOR.AUTR.C/CRUZ 4,8 X 19. DIN7981 VITE AUTOFILETTANTE TESTA CROC SELF-THREADING HEAD. SCR. 4,8X19	SCHRAUBE VIS	1 2 3 4 5 6 7 8 9 A B C	
32A		00D01500471	CASQ. SILENT. SILENC. GHIERA BUSHING	FUHRUNGSBUCHSE GABELSCHENK ENTRETOISE	1 2 3 4 5 6 7 8 9 A B C	
33A		00H03207261	TUBO ADMISION. TUBO AMMISSIONE AIR INTAKE HOSE	ENLAISROR TUYAU DIADMISSION	1 2 3 4 5 6 7 8 9 A B C	
34A		00H00401521	CALCA AGIP CROSS ADESIVO AGIP DECAL AGIP	SCHRIFTZUG AGIP SPEED ADHESIF AGIP SPEED	1 4 7 A	
35A		00H00404471	CALCA CHAMPION FRANCE 2001 ADESIVO CHAMPION FRANCE 2001 DECAL CHAMPION FRANCE 2001	SCHRIFTZUG CHAMPION FRANCE 2001 ADHESIF CHAMPION FRANCE 2001	2 5 8 B	
36A		00G04401481	CALCA «UNLEADED FUEL» ADESIVO «UNLEADED FUEL» DECAL «UNLEADED FUEL»	SCHRIFTZUG «UNLEADED FUEL» ADHESIF «UNLEADED FUEL»	3 4 5 6 7 8 9 A B C	
37A		00F04601121	CALCA DERBI ADESIVO DERBI DECAL DERBI	SCHRIFTZUG DERBI ADHESIF DERBI	1 2 3 4 5 6 7 8 9 A B C	
38A		00H00400371	TUBO DEPSTO. GAS A GRIFO TUBO SERBATOIO BENZINA FUEL TANK / FUEL COCK TUBE	SCHLAUCK TANK-HAHN TUYAU RESERVOIR ESSENCE A ROBI	1 2 3 4 5 6 7 8 9 A B C	

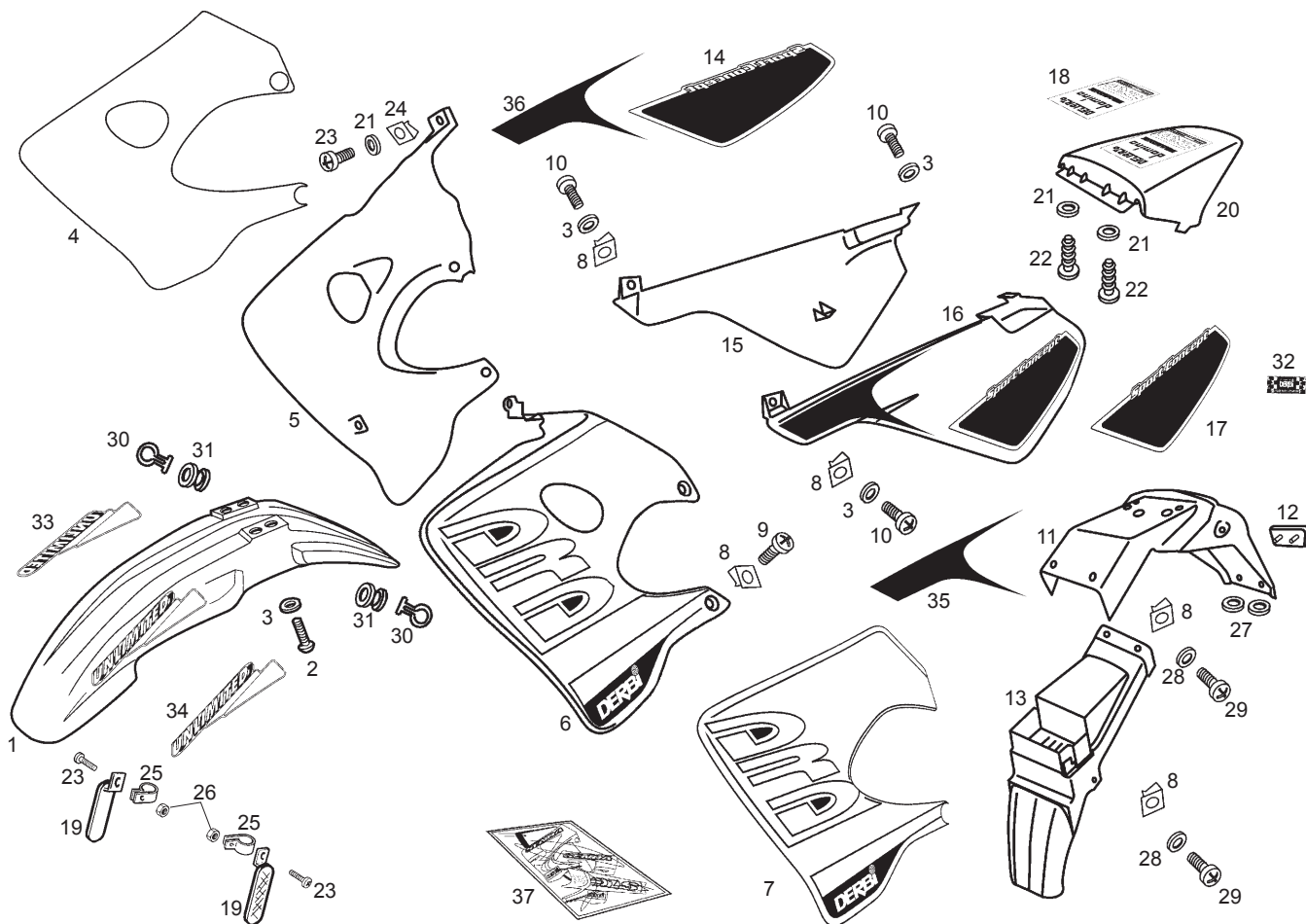


Fig.	Ver.	COD. KOD.	DESCRIPCIÓN DENOMINAZIONE NAME	BEZEICHNUNG DESIGNATION	MOD.	NOTAS NOTES NOTA MITSCHRIFT NOTES
01A		00H00709431	CTO. GUARDABARROS DEL. NG PARAFANGO ANTERIORE FRONT MUDGUARD ASSY	KOTFLUGEL VORN GARDE-BOUE AVANT RGE	1 2 3 4 5 6 7 8 9	
01B		00H00709432	CTO. GUARDABARROS DEL. NG PARAFANGO ANTERIORE FRONT MUDGUARD ASSY	KOTFLUGEL VORN GARDE-BOUE AVANT RGE		A B C
02A		00012161600	TOR.C/EXAG. 6M80X16.DIN-933 VITE TESTA ESAGONALE 6M80X16 D HEX.HEAD SCREW 5M80X15	SCHRAUBE BOULON TETE HEX.6M80X15	1 2 3 4 5 6 7 8 9 A B C	
03A		00D01200171	ARAND.EJE LEVA-FIJ.CUBRECAD. RONDELLA WASHER	SCHEIBE RONDELLE	1 2 3 4 5 6 7 8 9 A B C	
04A		00H04919562	CALCA TAPA DEL. DR. NG ADESIVO COPERC.ANT. DES. FRONT COVER RIGHT DECAL	SCHRIFTZUG ADHESIF	1 2 3 4 5 6 7 8 9	
04B		00H04919561	CALCA TAPA DEL. DR. NG ADESIVO COPERC.ANT. DES. FRONT COVER RIGHT DECAL	SCHRIFTZUG ADHESIF		A B C
05A		00H04428802	SCTO. TAPA DEL. DR. NG COP.ANT.DES.C/C. LOWER RIGHT-HAND ADORNMENT	SEITENTEIL OUIE MOTEUR D.	1 2 3 4 5 6 7 8 9	
05B		00H04428801	SCTO. TAPA DEL. DR. NG COP.ANT.DES.C/C. LOWER RIGHT-HAND ADORNMENT	SEITENTEIL OUIE MOTEUR D.		A B C
06A		00H04428832	SCTO. TAPA DEL. IZ. NG COP.ANT.SIN.C/C FRONT COVER LEFT SIDE	KHULERVERKLEIDUNG OUIE MOTEUR G.	1 2 3 4 5 6 7 8 9	
06B		00H04428831	SCTO. TAPA DEL. IZ. NG COP.ANT.SIN.C/C FRONT COVER LEFT SIDE	KHULERVERKLEIDUNG OUIE MOTEUR G.		A B C
07A		00H04919572	CALCA TAPA DEL. IZ. ADESIVO COPERC.ANT.SIN. FRONT COVER LEFT DECAL	SCHRIFTZUG ADHESIF	1 2 3 4 5 6 7 8 9	

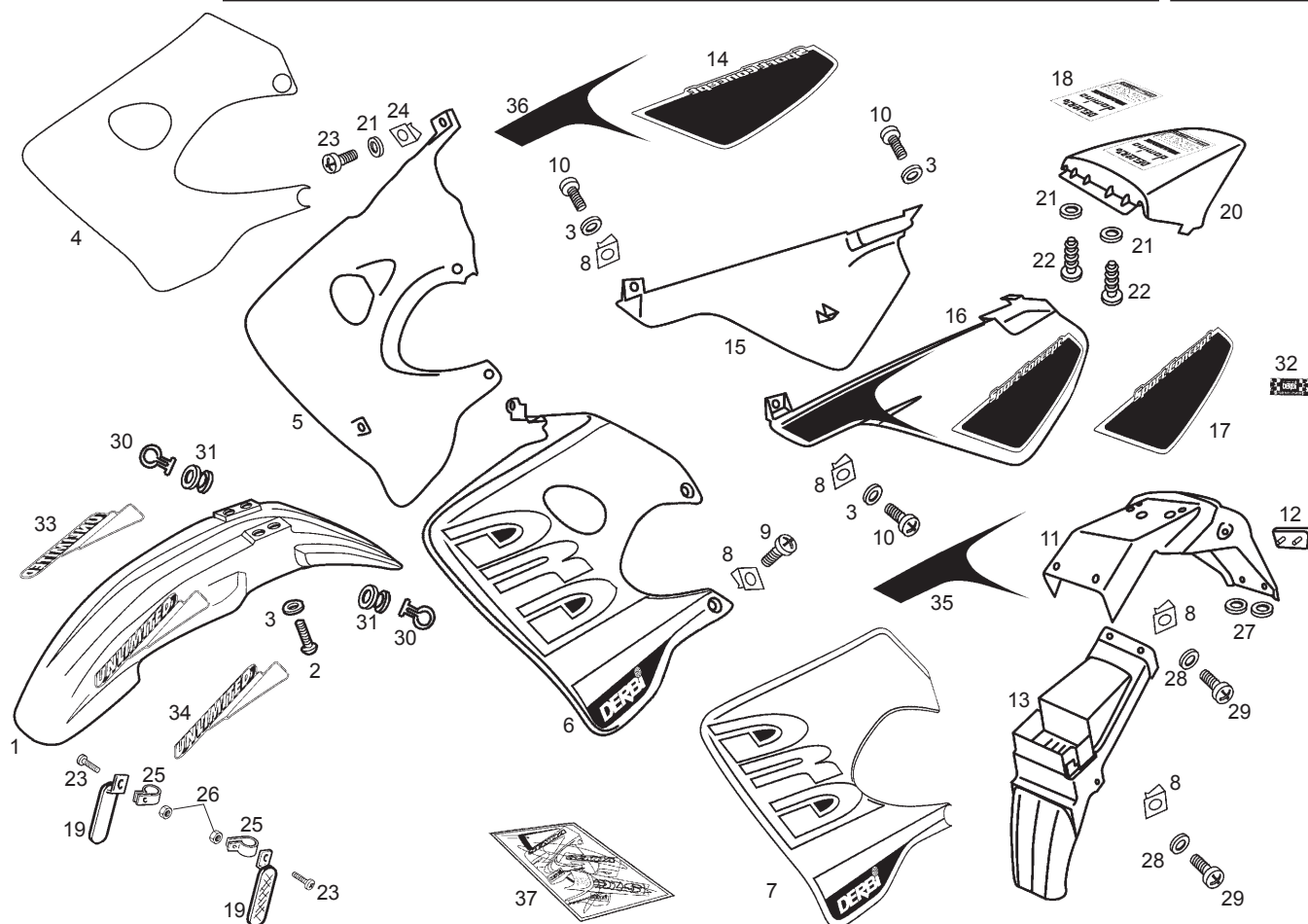


Fig.	Ver.	COD. KOD.	DESCRIPCIÓN DENOMINAZIONE NAME	BEZEICHUNG DESIGNATION	MOD.	NOTAS NOTES NOTA MITSCHRIFT NOTES
07B		00H04919571	CALCA TAPA DEL. IZ. ADESIVO COPERC.ANT.SIN. FRONT COVER LEFT DECAL	SCHRIFTZUG ADHESIF	A B C	
08A		00D01501371	TCA.FIJ.CUBRECAD.212827 DADO FISSAGGIO NUT	MUTTER ECROU	1 2 3 4 5 6 7 8 9 A B C	
09A		00G01503701	TOR.FIJ.ESC.FRONTAL VITE FISSAGGIO SCUDO FRONTALE FRONT SHIELD SECURING SCREW	FRONT SHIELD SECURING SCREW BOULON SER. FRONTAL	1 2 3 4 5 6 7 8 9 A B C	
10A		00012161600	TOR.C/RED.CRUZ.6M100X16.DIN-VITE TONDO CROCE .6M100X16.DIN SCREW,6M100X16	SCHRAUBE 6M100X16 D-7985 VIS T.CROIX NOIR 6M100X16 D	1 2 3 4 5 6 7 8 9 A B C	
11A		00H00712341	SUPLEM.GUARD.TR. SUPPLEMENTO PARAFANGO POST. SUPPLEM. REAR FENDER	ZUBEHOR STAUBFANGER HINTEN SUPL. GARDE BOUE AR.	1 2 3 4 5 6 7 8 9 A B C	
12A		00G04400752	CAPTAFAROS TRAS.ROJO CATARIFRANGENTE POSTERIORE R REAR REFLECTOR	RUCKS TRAHLER CATADIOPTRE ARRIERE	1 2 3 4 5 6 7 8 9 A B C	
13A		00H00705121	GUARDAB.TR.NEW PARAFANGO POSTERIORE REAR MUDGUARD	KOTFLUGEL HINTEN GARDE BOUE ARRIERE	1 2 3 4 5 6 7 8 9 A B C	
14A		00H00517651	CALCA PORTANUMERO DR. ADESIVO POS.COPERC.LAT.DES. REAR SIDE COVER DECAL	AUFKLEBER DECAL FLANC D.	1 2 3 4 5 6 7 8 9	
14B		00H00517652	CALCA PORTANUMERO DR. ADESIVO POS.COPERC.LAT.DES. REAR SIDE COVER DECAL	AUFKLEBER DECAL FLANC D.	A B C	
15A		00H00543691	SCTO. TAPA LAT. DR. COPERC.LAT.DES.C/C. RIGHT HAND SIDE COVER	SEITENDECKEL RECHTS PLAQUE LATERAL DROITE AVEC	1 2 3 4 5 6 7 8 9	
15B		00H00543692	SCTO. TAPA LAT. DR. COPERC.LAT.DES.C/C. RIGHT HAND SIDE COVER	SEITENDECKEL RECHTS PLAQUE LATERAL DROITE AVEC	A B C	

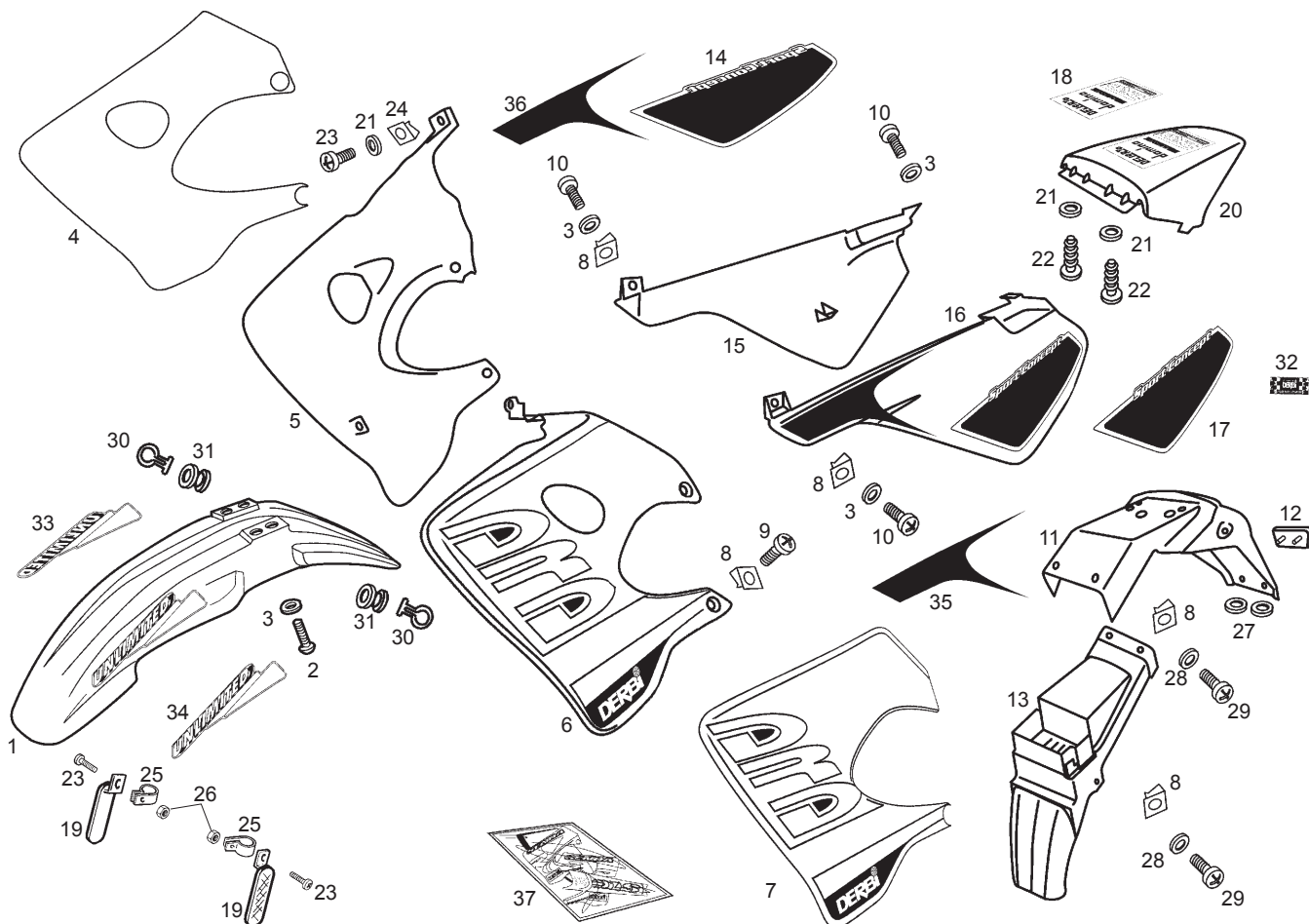


Fig.	Ver.	COD. KOD.	DESCRIPCIÓN DENOMINAZIONE NAME	BEZEICHNUNG DESIGNATION	MOD.	NOTAS NOTES NOTA MITSCHRIFT NOTES
16A		00H00543701	SCTO. TAPA LAT. IZ. COP.LAT.SIN.C/C. LEFT HAND SIDE COVER	SEITENDECKEL- LINKS FLANC LAT.G.AVEC DECAL	1 2 3 4 5 6 7 8 9	
16B		00H00543702	SCTO. TAPA LAT. IZ. COP.LAT.SIN.C/C. LEFT HAND SIDE COVER	SEITENDECKEL- LINKS FLANC LAT.G.AVEC DECAL		A B C
17A		00H00519641	CALCA PORTANUMERO IZ. ADESIVO COPERC.LATERALE SIDE COVER DECAL	AUFKLEBER DECAL	1 2 3 4 5 6 7 8 9	
17B		00H00519642	CALCA PORTANUMERO IZ. ADESIVO COPERC.LATERALE SIDE COVER DECAL	AUFKLEBER DECAL		A B C
18A		00H00606521	CALCA SPONSOR ADESIVO SPONSOR DECAL SPONSOR	SCHRIFTZUG SPONSOR ADHESIF SPONSOR	1 2 3 4 5 6 7 8 9 A B C	
19A		00H01802081	CAPTAFAROS CATARIFRANGENTE REFLECTOR	TRAHLER ADHESIF	1 2 3 4 5 6 7 8 9 A B C	
20A		00H00615162	CTO. COLIN COLIN SELLINO SEAT BASE	KOTFLUGEL HINTEN DOSSERET SELLE	1 2 3 4 5 6 7 8 9	
20B		00H00615161	CTO. COLIN COLIN SELLINO SEAT BASE	KOTFLUGEL HINTEN DOSSERET SELLE		A B C
21A		00000031050	ARAND. PL. M5 RONDELLA M5 WASHER M5	SCHEIBE M5 RONDELLE PLATE M5	1 2 3 4 5 6 7 8 9 A B C	
22A		00011051401	TOR. AUTRRCTE. 5 X14 VITE AUTOFIETTANTE 5 X 14 SELF-TAPPING SCREW	SELF-TAPPING SCREW VIS TARAUD 5,1X14 NOIR CL89H	1 2 3 4 5 6 7 8 9 A B C	
23A		00012152000	TOR. C/RED CRUZ 5 X 20 VITE CROCE 5 X 20 SCREW 5 X 20	SCHRAUBE VIS CRUCIFORME5M80X20DIN798	1 2 3 4 5 6 7 8 9 A B C	

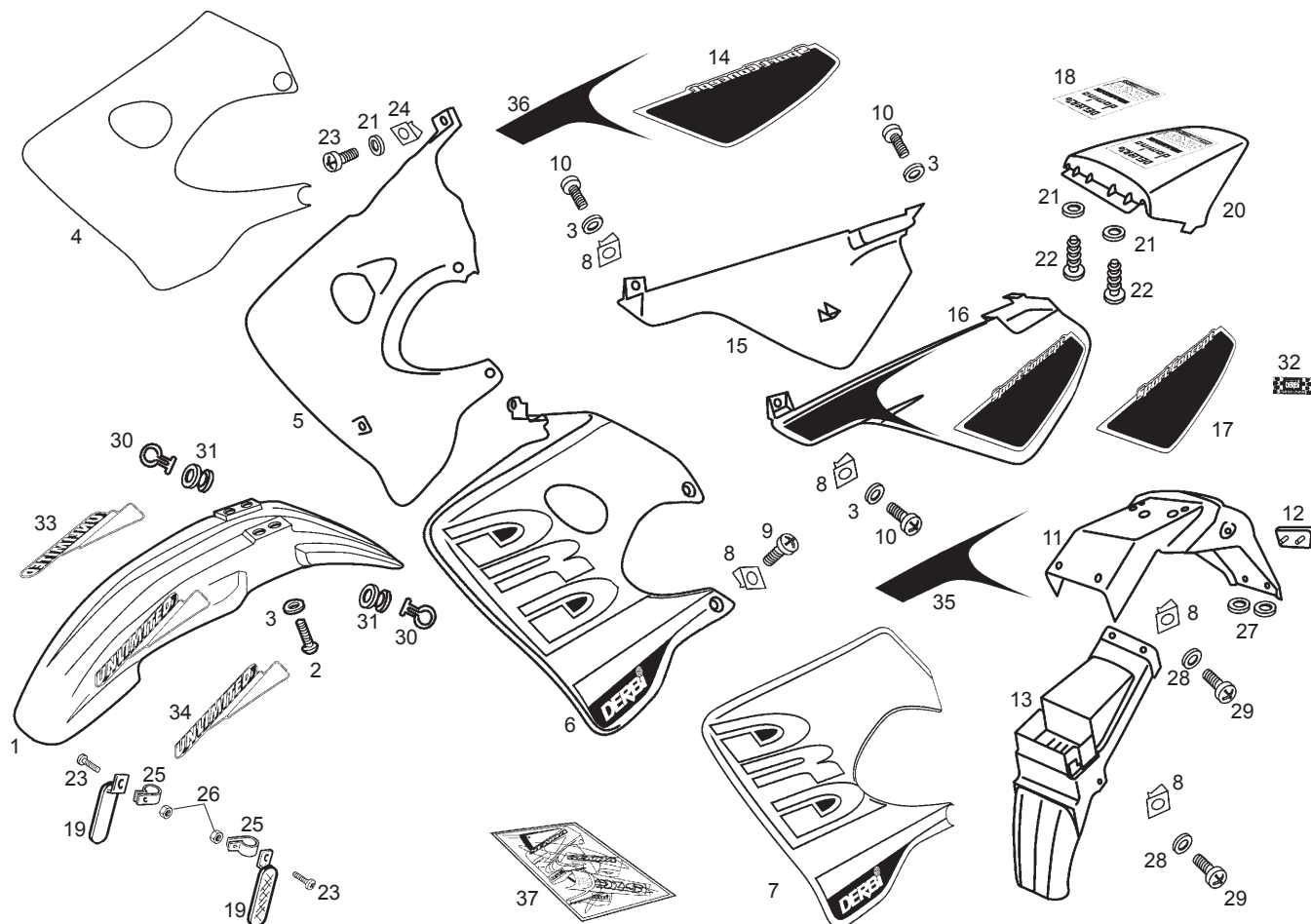


Fig.	Ver.	COD. KOD.	DESCRIPCIÓN DENOMINAZIONE NAME	BEZEICHNUNG DESIGNATION	MOD.	NOTAS NOTES NOTA MITSCHRIFT NOTES
24A		00G04401462	TCA. FIJ. ESC. FRONTAL PADO NUT	MUTTER ECROU	1 2 3 4 5 6 7 8 9 A B C	
25A		00H04636141	CALCA PRESION NEUMATICOS ADESIVO DECAL	SCHRIFTZUG ADHESIF	1 2 3 4 5 6 7 8 9 A B C	
25B		00H01500811	BRIDA FLANGIA TIE	BINDER ADHESIF	1 2 3 4 5 6 7 8 9 A B C	
26A		00000023051	TCA. AUTOBLOCANTE 5M80 DADO AUTOBLOCCANTE M5 SELF-LOCKING NUT M5	MUTTER SELBSTS 5M80 DIN-98 CATADIOPTRE	1 2 3 4 5 6 7 8 9 A B C	
27A		00G06300671	ARAND. FIJ. SUPLMTO. TR. CUADRO RONDELLA WASHER	SCHEIBE RONDELLE	1 2 3 4 5 6 7 8 9 A B C	
28A		00000031060	ARAND.PLANA MECANIZ.D.6.DIN125 RONDELLA PIATTA D6 MACHINED FLAT WASHER D6 DIN-12	SCHEIBE D.6 ROND. PLATE MECANISEE D6DIN	1 2 3 4 5 6 7 8 9 A B C	
29A		00012161600	TOR.C/CRUZ.NG.6M100X16.D7985-Z VITE TESTA CROCE NERA PHILIPS SCREW	SCHRAUBE 6M100X16 D-7985 VIS T.CROIX NOIR 6M100X16 D	1 2 3 4 5 6 7 8 9 A B C	
30A		00H02201591	GUIA CABLES FRENO GUIDA CAVI CABLE GUIAE	HALTER F. BEF. BREMSSCHLAU SOUS-EN.SUP.FIX.TUYAU FREIN	1 2 3 4 5 6 7 8 9 A B C	
31A		00D01500021	PASACABLES INST.GUARDABARROS PORTACAVI PARAFANGO GROMMET	GUMMI CAOUTCHOUC PASSE-CABLE	1 2 3 4 5 6 7 8 9 A B C	
32A		00H04900231	CALCA DERBI 8 VECES ADESIVO DECAL	SCHRIFTZUG ADHESIF	1 2 3 4 5 6 7 8 9 A B C	
33A		00H00708252	CALCA GUARDABARROS DR. ADESIVO DECAL	SCHRIFTZUG ADHESIF	1 2 3 4 5 6 7 8 9	

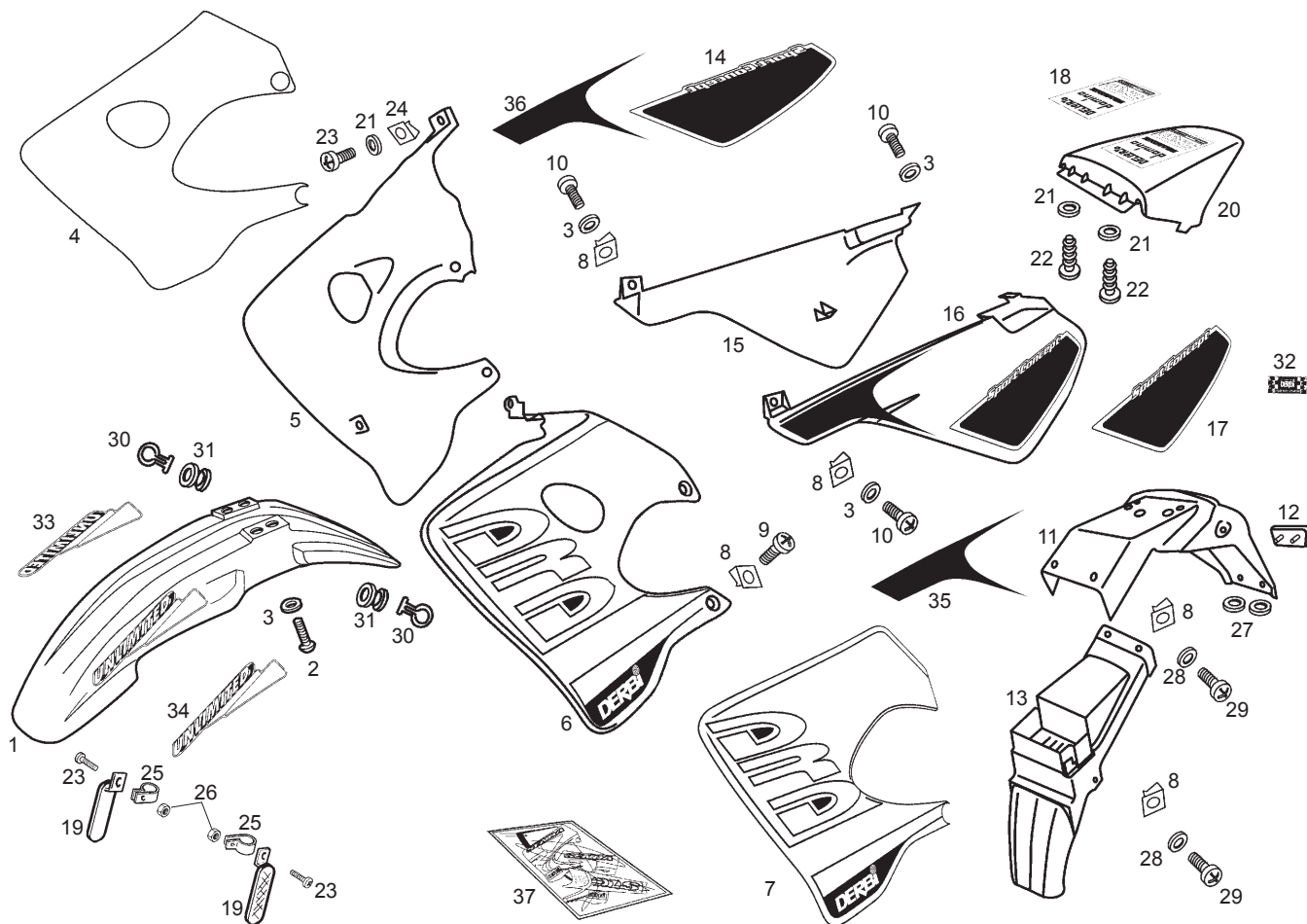


Fig.	Ver.	COD. KOD.	DESCRIPCIÓN DENOMINAZIONE NAME	BEZEICHNUNG DESIGNATION	MOD.	NOTAS NOTES NOTA MITSCHRIFT NOTES
------	------	-----------	--------------------------------	-------------------------	------	-----------------------------------

33B		00H00708251	CALCA GUARDABARROS DR. ADESIVO DECAL	SCHRIFTZUG ADHESIF	A B C	
34A		00H00708262	CALCA GUARDABARROS IZ. ADESIVO DECAL	SCHRIFTZUG ADHESIF	1 2 3 4 5 6 7 8 9	
34B		00H00708651	CALCA GUARDABARROS IZ. ADESIVO DECAL	SCHRIFTZUG ADHESIF	A B C	
35A		00H00501281	CALCA ANT.TAPA LAT IZ.AZ DRD ADESIVO DECAL	SCHRIFTZUG ADHESIF	A B C	
36A		00H00519221	CALCA ANT.DR.TAPA LAT.AZ DRD ADESIVO DECAL	SCHRIFTZUG ADHESIF	A B C	

ACCESORIOS OPCIONALES / ACCESORI OPCIONALE / OPTIONAL ACCESORIES / WERKZEUG / OTILS FOURNIS

37A		00H05146651	R-JUEGO CALCAS NEGRO COMPL.ADESIVI DECALS ASSY	AUFKLEBERSATZ JEU ADHESIF	1 2 3 4 5 6 7 8 9	
37B		00H05150651	R-JUEGO CALCAS AZUL COMPL.ADESIVI DECALS ASSY	AUFKLEBERSATZ JEU ADHESIF	A B C	

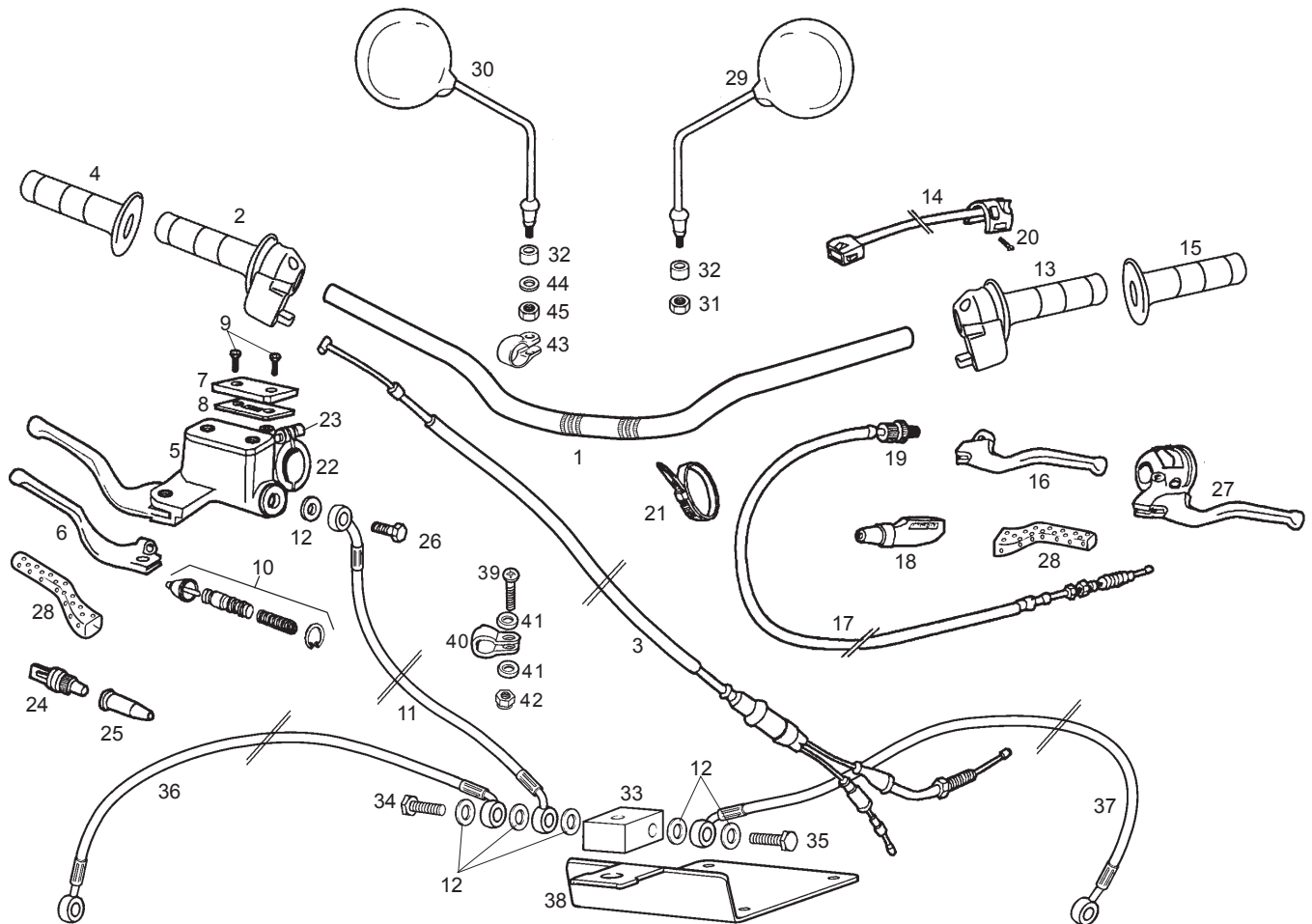


Fig.	Ver.	COD. KOD.	DESCRIPCIÓN DENOMINAZIONE NAME	BEZEICHUNG DESIGNATION	MOD.	NOTAS NOTES NOTA MITSCHRIFT NOTES
01A		00H00909011	SCTO. MANILLAR MANUBRIO HANDLEVAR ASSY	LENKER GUIDON	1 2 3 4 5 6 7 8 9 A B C	
02A		00H02101621	CTO. PUÑO GAS MANOPOLA ACCELERATOR THROTTLE GRIP ASSEMBLY	GASGRIFF POIGNEE DE GAZ COMPLETE	1 2 3 4 5 6 7 8 9 A B C	
03A		00H00916171	SCTO.CABLE FUNDA GAS CAVO-FODERO ACCELERERA CABLE ASSY TRHOTTLE	GASKABEL GAINE ET CABLE DE GAZ	1 2 3 4 5 6 7 8 9 A B C	
04A		00H00930091	R-EMPUÑADURA GAS MANOPOLA ACCELERATORE V.W.CH GRIP, THROTTLE	GRIFF CAOUT.DE PIGNEE GAZ	1 2 3 4 5 6 7 8 9 A B C	
05A		00H02104081	R-CTO. MANDO FRENO DTRO. COMANDO FRENO FRONT BRAKE LEVER/MASTER CYLIN	REP-SATZ F. PUMPE R-ENSEM.KIT REPAR. POMPE SE	1 2 3	
05B		00H02104082	R-CTO. MANDO FRENO DTRO. 2003 COMANDO FRENO FRONT BRAKE LEVER/MASTER CYLIN	REP-SATZ F. PUMPE R-ENSEM.KIT REPAR. POMPE SE	4 5 6 7 8 9 A B C	
06A		00H00905201	R-MANETA FRENO TRASERO MANOPOLA FRENO BRAKE LEVER	BREMSHEBEL KOMPL. MANETE DU FREIN AVANT	1 2 3	
06B		00H00906201	R-MANETA FRENO TRASERO MANOPOLA FRENO BRAKE LEVER	BREMSHEBEL KOMPL. MANETE DU FREIN AVANT	4 5 6 7 8 9 A B C	
07A		00H02101191	R-TAPA DEPOSITO LIQ. FRENO DT. COPERCHIO SERBATOIO LIQUIDO BRAKE FLUID RESERVOIR CAP	BREMSFLUESSIGKEITSBEHAELTE R-COUV.RESER.LIQ.FREIN AVAN	1 2 3 4 5 6 7 8 9 A B C	
08A		00H02100861	R-JUNTA TAPA DEP. LIQ. FRENO GUARNIZIONE COPERCHIO BRAKE FLUID RESERVOIR CAP SEAL	BREMSCECKELDICHUNG R-JOINT COUV.RES.LIQ.FR.AV.	1 2 3 4 5 6 7 8 9 A B C	
09A		00014041200	TORN. C/AR. CRUZ NG. 4 M 80 X 12 VITE TESTA SVASATA CROCE NERO COUNTERSUNK PHILIPS SCREW	SCHRAUBE 4M80X12.D-965 BOULON T.NOYEE CR.N.4M80X12	1 2 3 4 5 6 7 8 9 A B C	

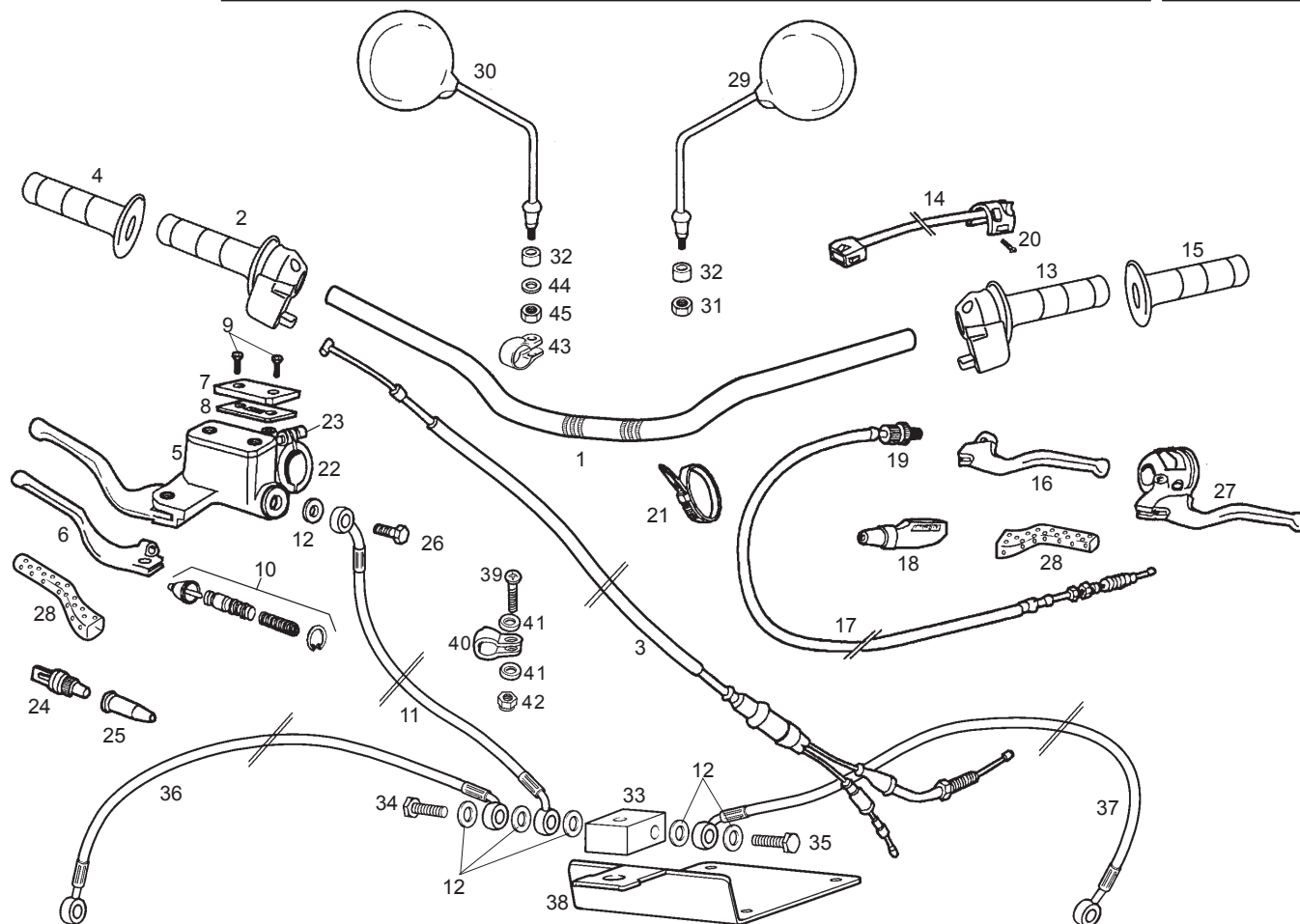


Fig.	Ver.	COD. KOD.	DESCRIPCIÓN DENOMINAZIONE NAME	BEZEICHNUNG DESIGNATION	MOD.	NOTAS NOTES NOTA MITSCHRIFT NOTES
10A		00D02120811	R-KIT BOMBA FR. DT. KIT RIPARAZIONE FRONT BRAKE MASTER CYLINDER	REP.-SATZ F. PUMPE R-ENSEM.KIT REPAR. POMPE SE	1 2 3 4 5 6 7 8 9 A B C	
11A		00H00918751	SCTO.TUBO LIQ.FR.DT. A DISTRIB. TUBO LIQ.FRE. BRAKE FLUID TUBE	BREMSSSCHLAUCH FLEXIBLE DE FREIN AVANT	1 2 3 4 5 6 7 8 9 A B C	
12A		00006321040	ARAND. JUNTA RADORD RONDELLA GUARNIZIONE RACCORDO CONNECTOR GASKET WASHER	DICHTRING RONDELLE DE JOINT RACCORD	1 2 3 4 5 6 7 8 9 A B C	
13A		00H01007141	CTO.PUÑO LUZ MANOPOLA LUCE LIGHT SWINTCH ASSY	LICHTSCHALTER INVERSEUR AVEC CABLE	1 2 3	
14A		00H02304381	CTO. CONMUT. LUCES C/CABLE CONMUTATORE LUCI SWITCH	LICHTSCHALTER INVERSEUR AVEC CABLE	1 2 3 4 5 6 7 8 9 A B C	
15A		00H00930071	R-EMPUÑADURA PUÑO LUZ MANOPOLA FRENO POSTERIORE 13 GRIP, THROTTLE	GRIFF CAOUT.DE PIGNEE GAZ	1 2 3 4 5 6 7 8 9 A B C	
16A		00F00910291	R-MAN. EMBR. FDS/89 LEVIER EMBRAYAGE CLUTCH LEVER	KUPPLUNGSHEBEL LEVIER EMBRAYAGE	1 2 3	
16B		00H00903291	R-MAN. EMBR. FDS/89 LEVIER EMBRAYAGE CLUTCH LEVER	KUPPLUNGSHEBEL LEVIER EMBRAYAGE	4 5 6 7 8 9 A B C	
17A		00H00902301	SCTO.CABLE-FUNDA EMBRG. SUBCOM.CAVO-GUAINA FRIZ. CLUTCH COVER AND CAB.SUB.ASSY.	KUPPLUNGSZUG GAINE ET CABLE DIEMBRAYAGE	1 2 3 4 5 6 7 8 9 A B C	
18A		00H02101011	PROTECTOR MANETA EMBRAGUE PROTETTORE LEVA FRIZIONE SD- CLUTCH LEVER PROTECTOR	GUMMIKAPPE PROTEGE LEVIER EMBRAY.	1 2 3 4 5 6 7 8 9 A B C	
19A		00F00920551	R-CTO. TENS. CABL. EMB. TENSORE CABO CLUTCH CABLE TIGHTENING DEVIC	SHELLE COLLIER FIX ELIERIE	1 2 3 4 5 6 7 8 9 A B C	

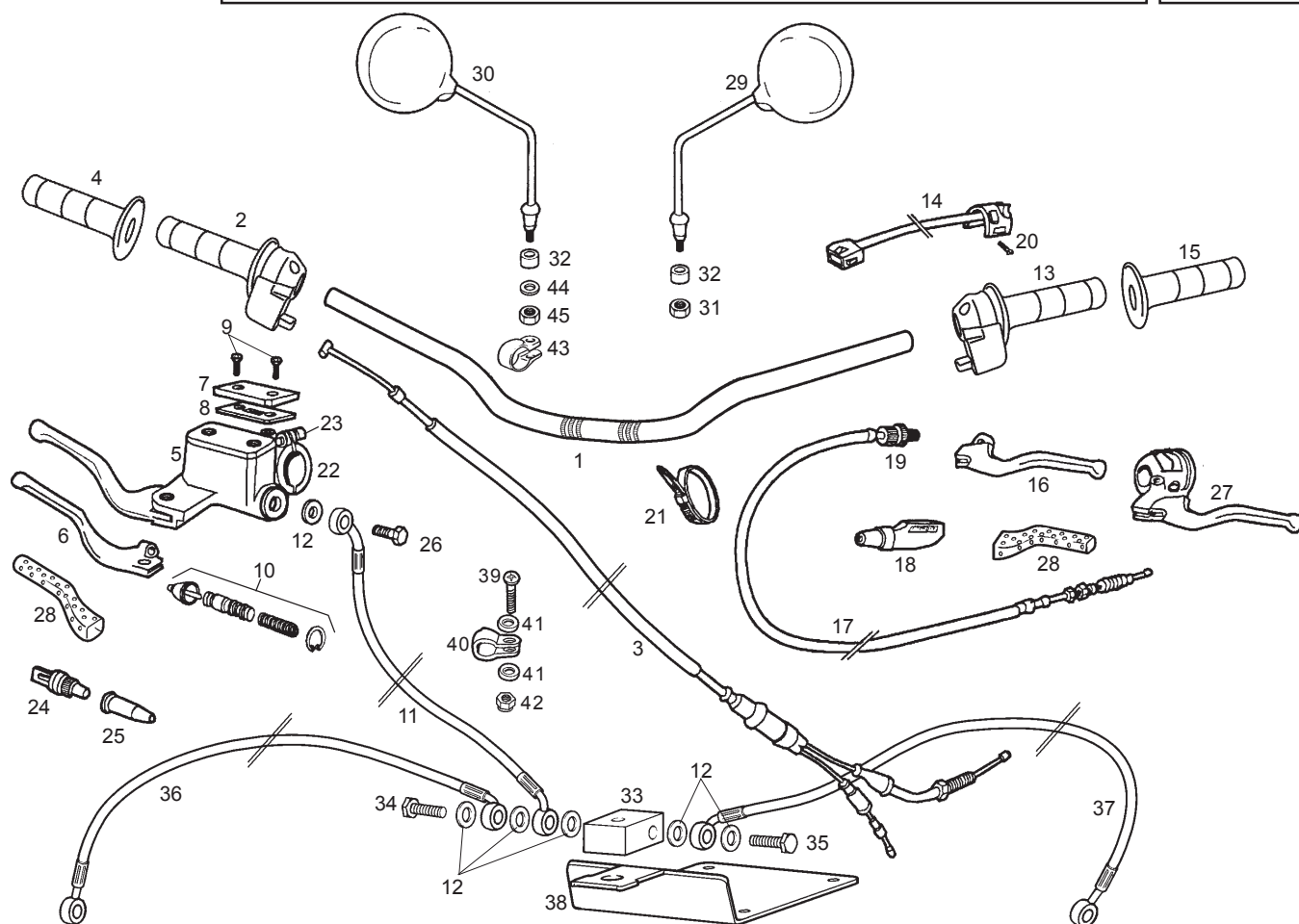


Fig.	Ver.	COD. KOD.	DESCRIPCIÓN DENOMINAZIONE NAME	BEZEICHUNG DESIGNATION	MOD.	NOTAS NOTES NOTA MITSCHRIFT NOTES
20A		00000012508	TOR.C/RED.CRUIZ,5M80X8,DIN-7985 VITE TONDO CROCE 5M80X8,DIN-79 SCREW	INBUSSCHRAUBE MOTOR BEFEST VIS	1 2 3 4 5 6 7 8 9 A B C	
21A		00A00900531	BRIDA UNECABLES NEGRA FLANGIA UNIONE CAVI BLACK CABLE TIE	KABELBINDER COLLIER	1 2 3 4 5 6 7 8 9 A B C	
22A		00D02100901	R-BRIDA FIJ. MANDO FRENO DT. CAVALLOTO FISSAGIO POMPA CLAMP	BEF.-SCHELLE ENTRETOISE	1 2 3 4 5 6 7 8 9 A B C	
23A		00000004620	TORN. C/ALLEN 6M100 X 20 VITE TESTA ALLEN 6M 100X20 ALLEN SCREN 6M100X20	INBUSSCHRAUBE 6M100X20. VIS T.CREUSE 6M100X20.D-912	1 2 3 4 5 6 7 8 9 A B C	
24A		00D01000701	INTERRUP.MANDO STOP. INTERRUPTORE STOP SWITCH, STOP LIGHT	STOPCHALTER VO. INTERRUPTEUR COMMANDE STOP	1 2 3 4 5 6 7 8 9 A B C	
25A		00005010760	CAPUCH.INTERRUP.STOP.NG. CAPPuccio INTERRUPTORE STOP NE RUBBER COVER,STOP LIGHT SWITCH	GUMMISCHUTZ STOPLICHTSCHAL CAPUCHON	1 2 3 4 5 6 7 8 9 A B C	
26A		00006309260	RACORD TUBO HIDRAULICO RACCORDO TUBO IDRAULICO HYDRAULIC TUBE CONNECTOR	STUTZEN HIDRAULIKLEITUNG RACCORD TUYAU HYDRAULIQUE	1 2 3 4 5 6 7 8 9 A B C	
27A		00H02105611	CTO. PORTAM. IZQ. SDA RI00 PORTAMANOPOLA SINIST LEFT LEVER BRACKET	BREMSHEBEL LINKS KOMPLETT ENS. PORTE-MANETTE GAUCHE	1 2 3	
27B		00H02105612	CTO. PORTAM. IZQ. SDA RI00 PORTAMANOPOLA SINIST LEFT LEVER BRACKET	BREMSHEBEL LINKS KOMPLETT ENS. PORTE-MANETTE GAUCHE	4 5 6 7 8 9 A B C	
28A		00H00900721	GOMA PROTECCION LEVA PROTEZIONE MANOPOLA LEVER PROTECTOR	GUMMIKAPPE PROTEGE MANETE	1 2 3 4 5 6 7 8 9 A B C	
29A		00H02205671	CTO. ESPEJO RETROV. IZ. SPECCHIETO RETROVISO REAR MIRROR	SPIEGEL RE.CHROM ENSEMBLE MIRROIR RETROVISEUR	1 2 3 4 5 6 7 8 9 A B C	

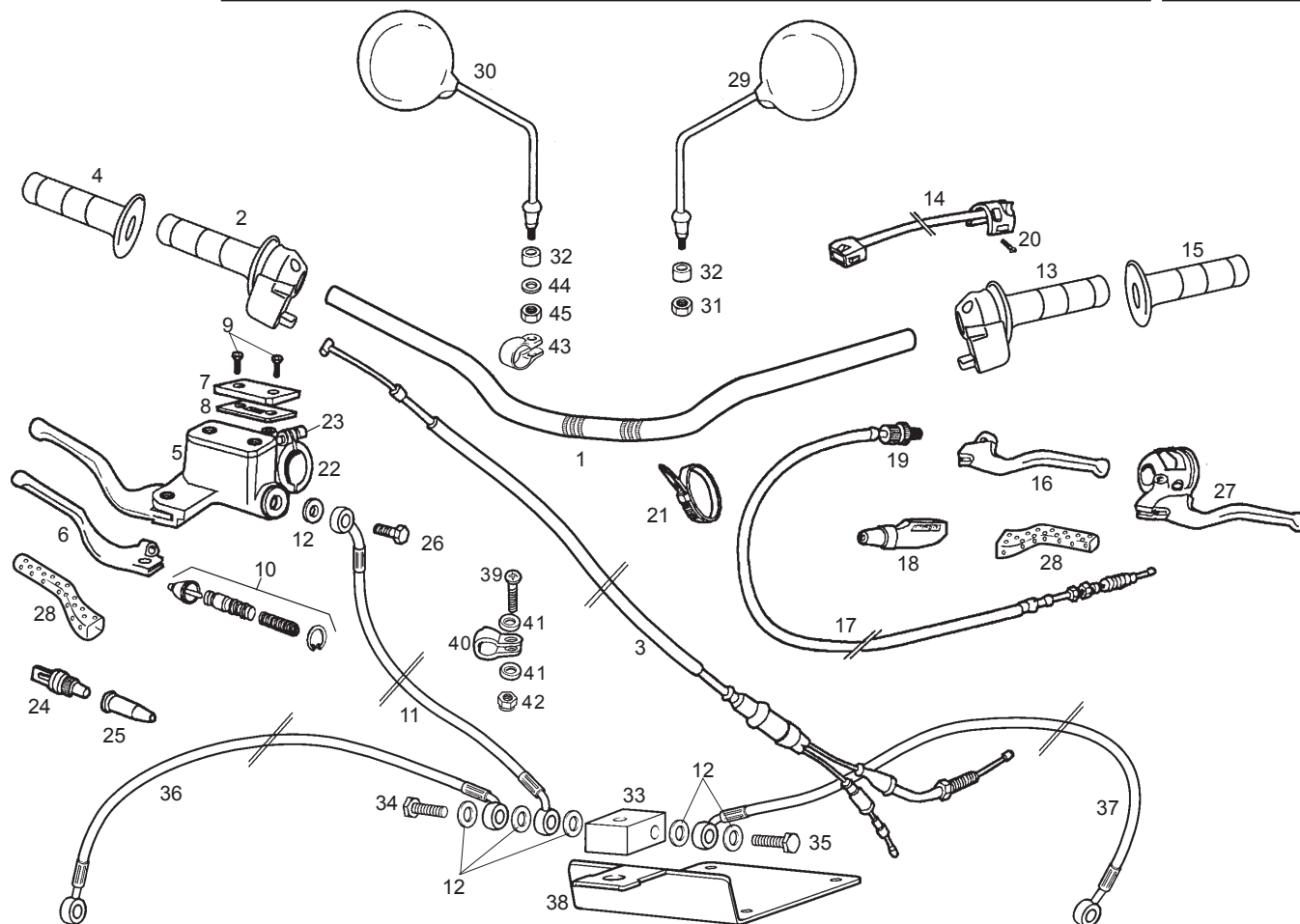


Fig.	Ver.	COD. KOD.	DESCRIPCIÓN DENOMINAZIONE NAME	BEZEICHNUNG DESIGNATION	MOD.	NOTAS NOTES NOTA MITSCHRIFT NOTES
30A		00D02200671	CTO. ESPEJO RETROV. DR. SPECCHIETO RETROVISO REAR MIRROR	SPIEGEL RE.CHROM ENSEMBLE MIRROR RETROVISEUR	2 3 5 6 8 9 B C	
31A		00000023080	TCA.AUTOBLOC. 8M125. DIN-982. DADO AUTOBLOCCANTE 8M125 SELF-LOCKING NUT M8	MUTTER SELBSTS ECRU INDESSERABLE 8M125.DI	1 2 3 4 5 6 7 8 9 A B C	
32A		00G00800261	CASQ.GIRO PATA CABALLETE. GHIERA SNODO ZAMPA CAVALLETTO SPACER	DISTANZHULSE ENTRETOISE	1 2 3 4 5 6 7 8 9 A B C	
33A		00H00900281	DISTRIBUIDOR 1X1 DISTRIBUTORE 1X1 DISTRIBUTOR 1X1	VERTEILER 1X1 DISTRIBUTEUR	1 2 3 4 5 6 7 8 9 A B C	
34A		00H00900251	TORNILLO RACOR VITE SCREW	SCHRAUBE VIS	1 2 3 4 5 6 7 8 9 A B C	
35A		00H00901261	TORNILLO RACOR M10X18 VITE SCREW	SCHRAUBE VIS	1 2 3 4 5 6 7 8 9 A B C	
36A		00H00900741	TUBO FRENO DISTR. A PINZA DR. TUBO LIQ.FRE. DESTRA RIGHT BRAKE FLUID TUBE	BREMSSSCHLAUCH RECHT FLEXIBLE DE FREIN AVANT DROITE	1 2 3 4 5 6 7 8 9 A B C	
37A		00H00900771	TUBO FRENO DISTR. A PINZA IZ. TUBO LIQ.FRE. SINISTRA LEFT BRAKE FLUID TUBE	BREMSSSCHLAUCH LINKE FLEXIBLE DE FREIN AVANT GAUCHE	1 2 3 4 5 6 7 8 9 A B C	
38A		00H02100121	CARTELA SOP. DISTRIBUIDOR FRENO PLACCA SUPPORTO DISTRIBUTORE PLATE SUP. DISTRIBUTOR	VERTEILERPLATTE PLAQUE SUP. DISTRIBUTEUR	1 2 3 4 5 6 7 8 9 A B C	
39A		00012152000	TOR.C/RED.CRUIZ 5M80X20 D7985NE VITE TONDQ.CROCE 5M80X20.D7985 SCREW, 5M80X520 DIN7985	SCHRAUBE VIS CRUCIFORME5M80X20DIN798	1 2 3 4 5 6 7 8 9 A B C	
40A		00H01501811	SCTO.SOPTE.FIJ.TUBO FRENO DT. SOSTRE FISSAGIO TUBO FRENO FRONT BRAKE TUBE SECURING BR.	HALTER F. BEF. BREMSSSCHLAUCH SOUS-EN.SUP.FIX.TUYAU FREIN AV	1 2 3 4 5 6 7 8 9 A B C	

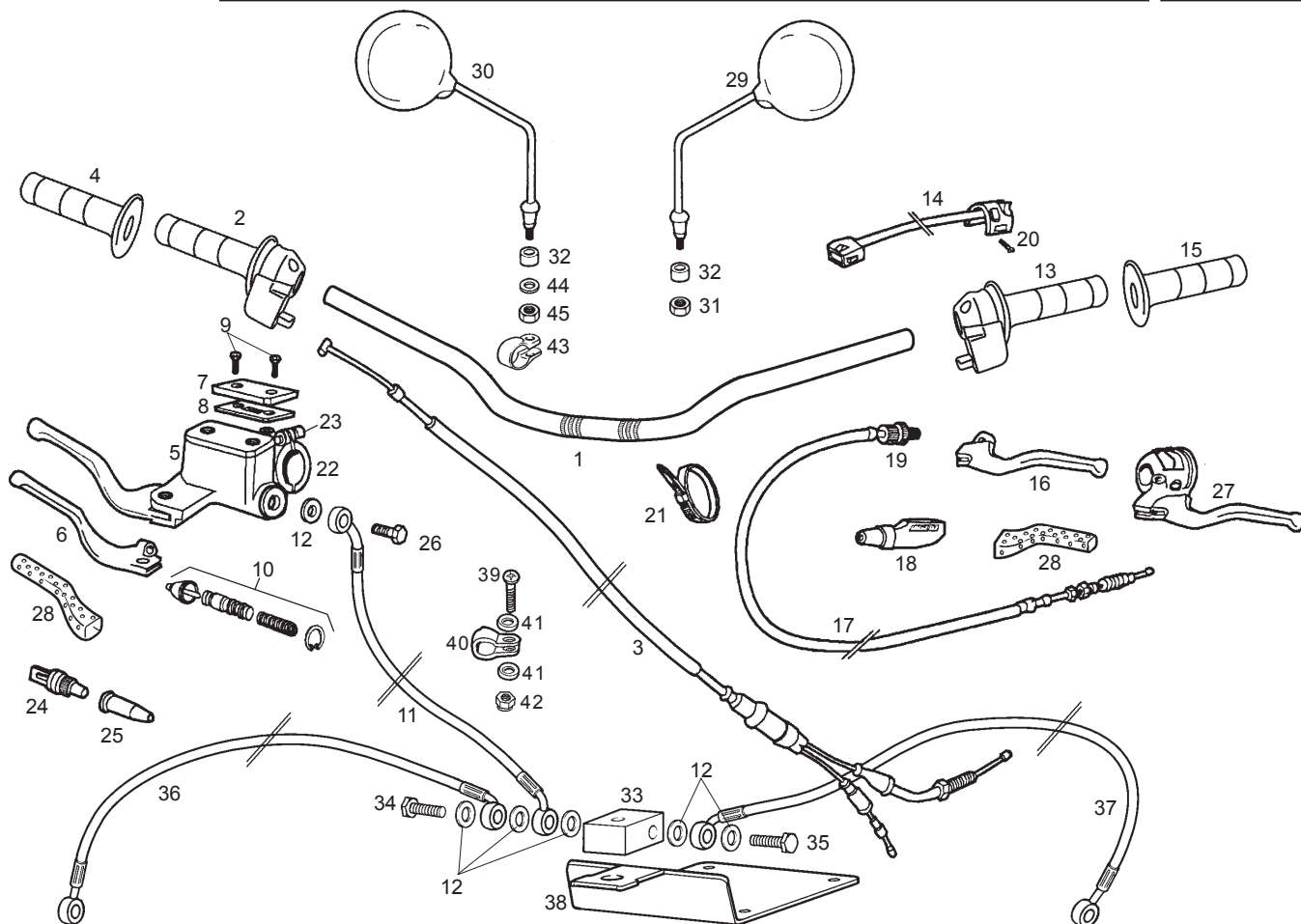


Fig.	Ver.	COD. KOD.	DESCRIPCIÓN DENOMINAZIONE NAME	BEZEICHNUNG DESIGNATION	MOD.	NOTAS NOTES NOTA MITSCHRIFT NOTES
41A		00000031050	ARAND.PLANA MEC.D.5.DIN125-B RONDELLA PIATTA D5 MACHINED FLAT WASHER D5	SCHEIBE D.5 DIN-125 ROND.PLATE MECANISEE D.5.DI	1 2 3 4 5 6 7 8 9 A B C	
42A		00000023051	TCA. AUTOBLOCANTE 5M80 DADO AUTOBLOCCANTE M5 SELF-LOCKING NUT M5	MUTTER SELBSTS 5M80 DIN-98 ECROU INDESSERRABLE 5M80 DI	1 2 3 4 5 6 7 8 9 A B C	
43A		00H02200681	BRIDA FLANGIA TIE	BINDER COLLIER	2 3 5 6 8 9 B C	
44A		00000031080	ARAND.PLANA MECANIZ.D.S.DIN125 VITE TESTA ESAGONALE 8M125X30 HEX.HEAD SCREW 8M125X30 D933	TOR.ALL.8M125X30 8.8/D933 BCR BOULON TETE HEX.8M125X30	2 3 5 6 8 9 B C	
45A		00000021080	TUERCA HEXAGONAL M8 DADO M8 NUT M8	MUTTER M8 ECROU M8	2 3 5 6 8 9 B C	

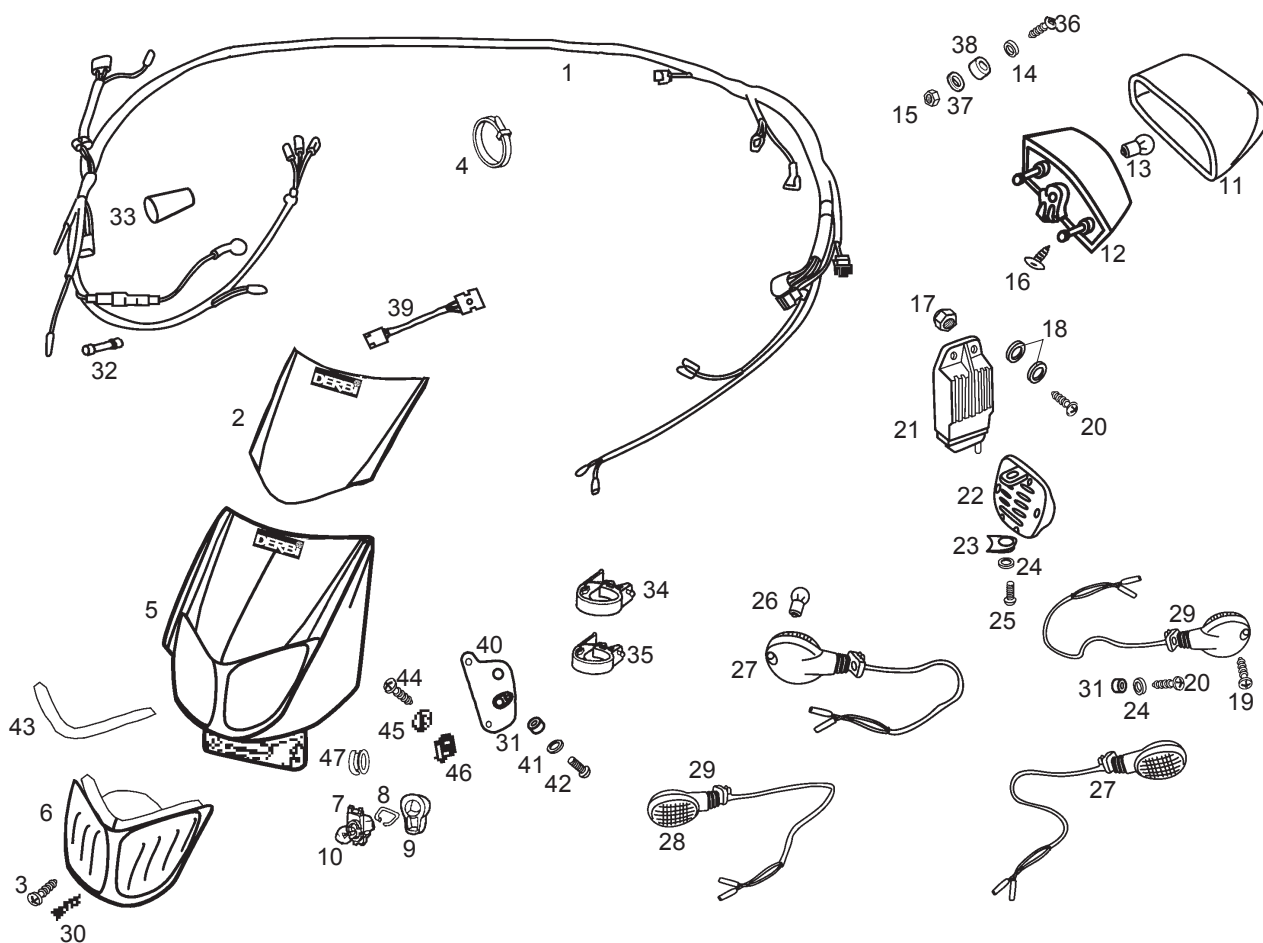


Fig.	Ver.	COD. KOD.	DESCRIPCIÓN DENOMINAZIONE NAME	BEZEICHNUNG DESIGNATION	MOD.	NOTAS NOTES NOTA MITSCHRIFT NOTES
01A		00H01029301	CTO.INSTAL.ELECT. COMPLESSO IMPIANTO ELETTRICO ELECTRICAL INSTALATIONS ASSY.	KOBELBAUM FAISCEAU ELECTRIQUE	1 2 3 4 5 6	
01B		00H01027301	CTO.INSTAL.ELECT. COMPLESSO IMPIANTO ELETTRICO ELECTRICAL INSTALATIONS ASSY.	KOBELBAUM FAISCEAU ELECTRIQUE	7 8 9 A B C	
02A		00H01525321	CALCA CARCASA NEGRA ADESIVO PLACCA FRONTALE FORNT PLATE DECAL	CAUFKLEVER DECAL DE PLAQUE PHARE	1 2 3 4 5 6 7 8 9	
02B		00H01525322	CALCA CARCASA NEGRA ADESIVO PLACCA FRONTALE FORNT PLATE DECAL	CAUFKLEVER DECAL DE PLAQUE PHARE	A B C	
03A		00012045000	TOR. C/RED.CRUIZ 4M70X50 BOUT M5 X 50 SCREW M4 X 50	SCREW M4X50 VIS 4M70X50	1 2 3 4 5 6 7 8 9 A B C	
04A		00D00900531	BRIDA UNECABLES NEGRA FLANGIA UNIONE CAVI BLACK CABLE TIE	KABELBINDER COLLIER	1 2 3 4 5 6 7 8 9 A B C	
05A		00H02231371	SCTO.CARC.FARO NEGRA SUBCOMP.CARC.FARO C/C. HEADLIGHT CUSING SUB-ASSEMBLY	SCHEINWERFERVERKLEIDUNG PLAQUE PHARE	1 2 3 4 5 6 7 8 9	
05B		00H02231372	SCTO.CARC.FARO NEGRA SUBCOMP.CARC.FARO C/C. HEADLIGHT CUSING SUB-ASSEMBLY	SCHEINWERFERVERKLEIDUNG PLAQUE PHARE	A B C	
06A		00H01013011	CTO.FARO DT. COMPLESSO FARO ANTERIORE HEADLIGHT LENS SUB-ASSEMBLY	SCHEINWERFER OPTIQUE COMPLETE	1 2 3 4 5 6 7 8 9 A B C	
07A		00003710110	R-PORTALAMPARAS PORTA-LAMPADE BULB HOLDER	LAMPENHALTER R-PORTE-LAMPES	1 2 3 4 5 6 7 8 9 A B C	
08A		00003710120	R-MUELLE PORTLAMPARAS R- MOLLA PORTALAMPADE BULB HOLDER SPRING	FEDER F. LAMPENHALTER R-RESSORT PORTE-LAMPES	1 2 3 4 5 6 7 8 9 A B C	

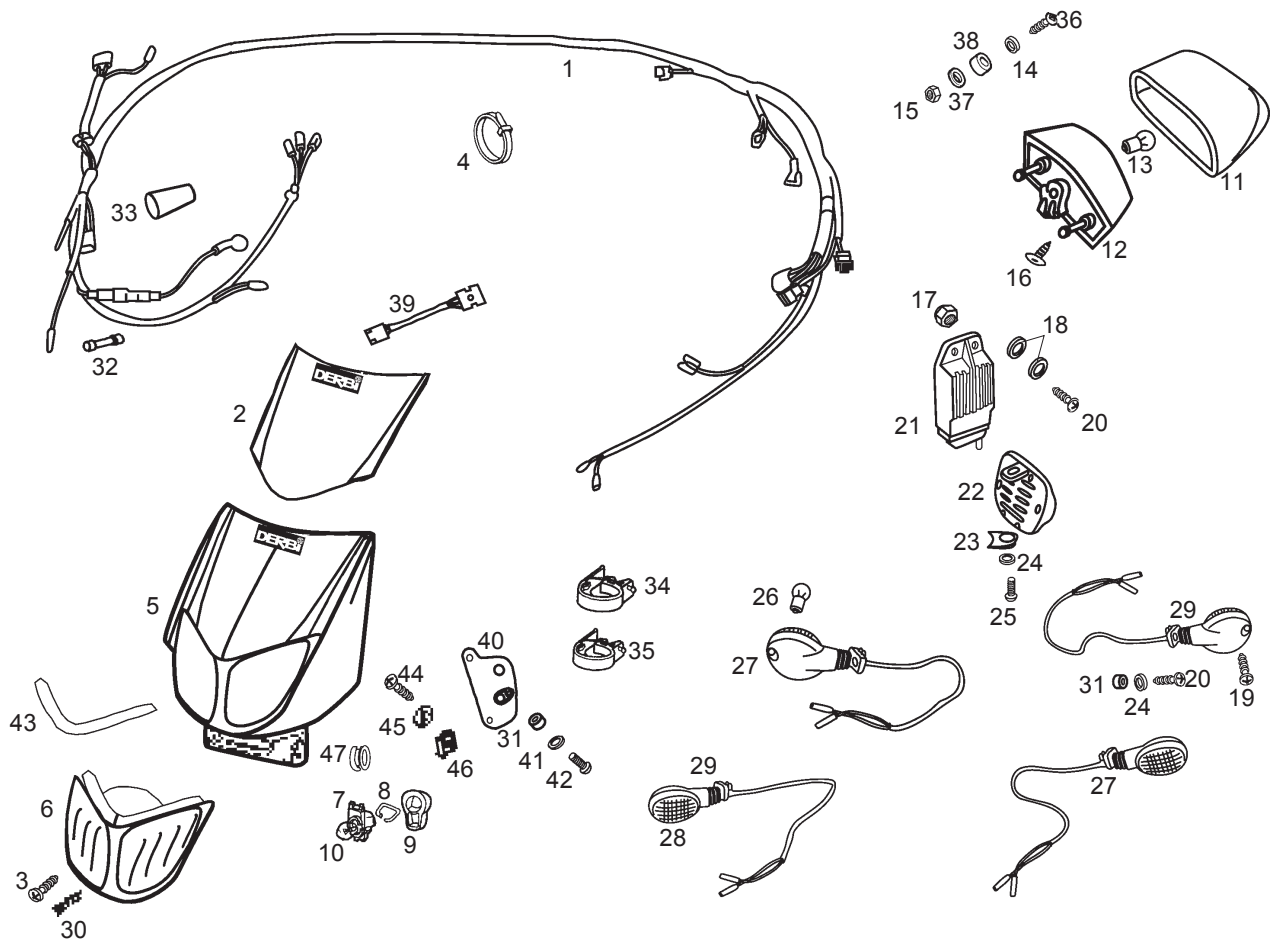


Fig.	Ver.	COD. KOD.	DESCRIPCIÓN DENOMINAZIONE NAME	BEZEICHNUNG DESIGNATION	MOD.	NOTAS NOTES NOTA MITSCHRIFT NOTES
09A		00D05700141	R-PROTECT.PORTALAMP.FARO FDS-SV R-PROTEZIONE PORTA LAMPADA FA HEADLAMP BULB HOLDER PROTC	LAMPENDECKEL R-PROT.PORTE-LAMPES PHARE F	1 2 3 4 5 6 7 8 9 A B C	
10A		00H01000131	LAMPARA FARO.12V.35/35W. LAMPADA FARO 12V 35/35W HEADLIGHT BULB	SCHEINWERFERLAMPE 12V/35-3 TUBE PHARE 12V/35-35W	1 2 3 4 5 6 7 8 9 A B C	
11A		00H01002341	R-CRISTAL PILOTO VETRO SPIA/STOP LENS, TAILLIGHT	RUCK LIGHTCELLONES AVANNAH CABOCHON DE FEU ARRIERE	1 2 3 4 5 6 7 8 9 A B C	
12A		00H01006321	CTO.FARO PILOTO COMPLESSO FANALINO POSTERIORE TAIL LIGHT ASSY	RUCKLIGHT FEU ARRIERE	1 2 3 4 5 6 7 8 9 A B C	
13A		00H01000371	LAMP.PILOTO-STOP.12V.21/5W. LAMPADA FANALINO POSTERIORE BULB, TAILLIGHT/STOP	BIRNE BREMSLIGHT 12V 21/5 LAMPE-TEMOIN-STOP 12V 21/5W	1 2 3 4 5 6 7 8 9 A B C	
14A		00H03800722	ARAND.TOPE MUELLE EMBRAGUE RONDELLA WASHER	SCHEIBE RONDELLE	1 2 3 4 5 6 7 8 9 A B C	
15A		00000023051	TCA. AUTOBLOCANTE 5M80 DADO AUTOBLOCCANTE M5 SELF-LOCKING NUT M5	MUTTER SELBSTS 5M80 DIN-98 ECROU INDESSERRABLE 5M80 DI	1 2 3 4 5 6 7 8 9 A B C	
16A		00G01001571	R-TOR.FIJ.FARO PILOTO VITE FISSAGGIO FANALINO POST. SCREW OF TAILLIGHT LENS	LOCK SCREW OF TAILLIGHT LENS VIS DE FIX.DU CABOCHON	1 2 3 4 5 6 7 8 9 A B C	
17A		00000021060	TCA.EXAG. 6M100. DIN- DADO ESAGONALE 6M100. DIN HEXAGON NUT 6M100	MUTTER 6M100 ECROU HEXAGONAL 6M100.	1 2 3 4 5 6 7 8 9 A B C	
18A		00402060001	ARAND.PLANA MECANIZ.D.6.DIN125 RONDELLA PIATTA D6 MACHINED FLAT WASHER D6 DIN-12	SCHEIBE ROND. PLATE MECANISSE	1 2 3 4 5 6 7 8 9 A B C	
19A		00011021300	TOR.AUTR.C/CRUZ.2,9X13.DIN7981 VITE AUTOAVVIT C/CROCE 2,9X13 SCREW	INBUSSCHRAUBE MOTOR BEFEST VIS	1 2 3 4 5 6 7 8 9 A B C	

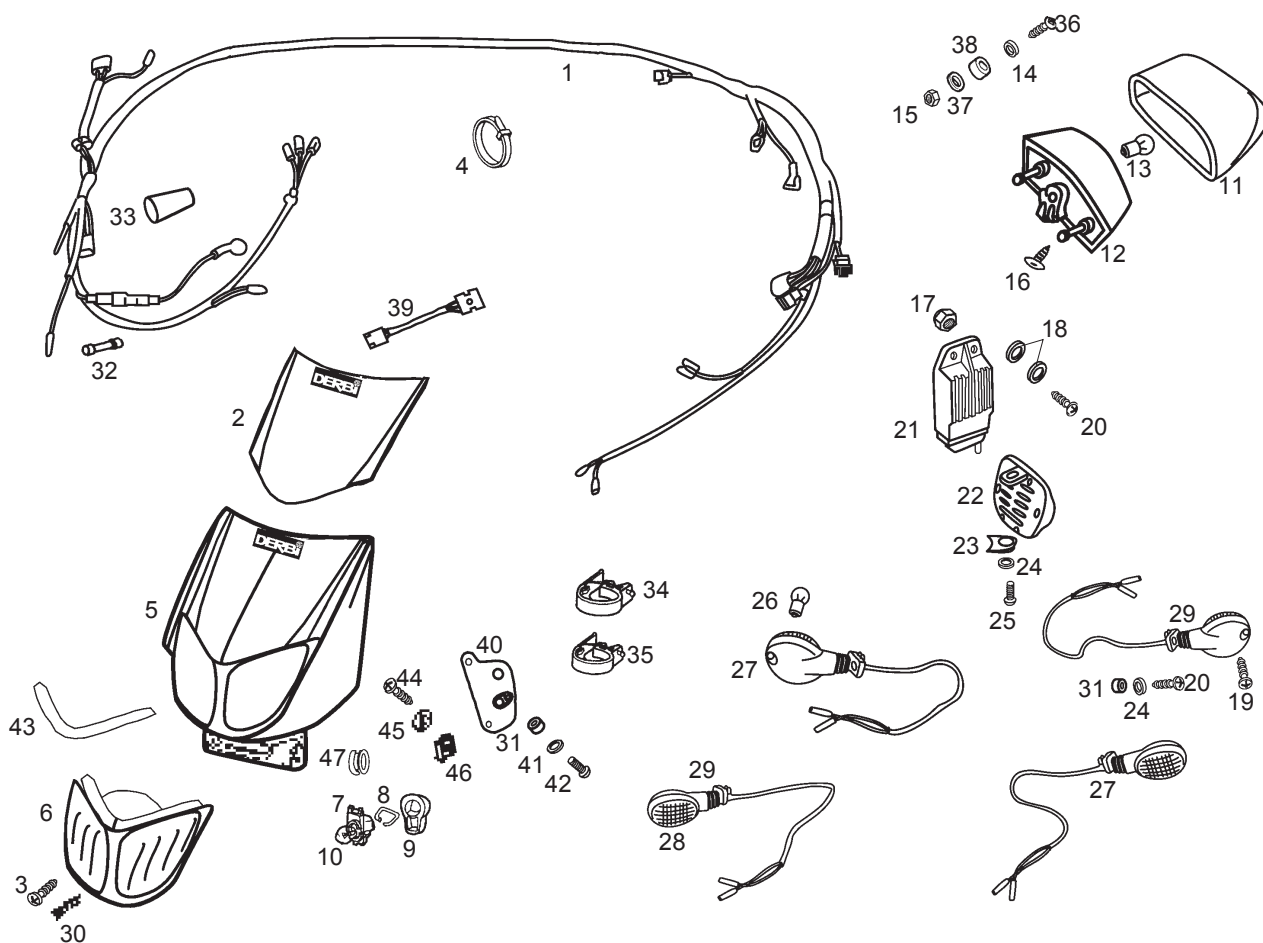


Fig.	Ver.	COD. KOD.	DESCRIPCIÓN DENOMINAZIONE NAME	BEZEICHNUNG DESIGNATION	MOD.	NOTAS NOTES NOTA MITSCHRIFT NOTES
20A		00012161600	TOR.C/CRUZ.NG.6M100X16.D7985-Z VITE TESTA CROCE NERA PHILIPS SCREW	SCHRAUBE 6M100X16 D-7985 VIS T.CROIX NOIR 6M100X16 D	1 2 3 4 5 6 7 8 9 A B C	
21A		00H01004841	REGULADOR AC-DC +CENTRAL INT. REGOLATORE TENSIONE REGULATOR	SPANNUNGSREGLER REGULATEUR AC/DC	1 2 3 4 5 6 7 8 9 A B C	
22A		00F01001311	CTO.CLAXON.12V-DC/0450-A.SC/91 CLACSON 12V CC HORN ASSEMBLY	HUPE 12V-DC/ D450-A.SC/91 KLAXON COMPLET 12V.DC/0450-	1 2 3 4 5 6 7 8 9 A B C	
23A		00D01501371	TCA.FIJ.CUBRECAD.212827 DADO FISSAGGIO NUT	MUTTER ECROU	1 2 3 4 5 6 7 8 9 A B C	
24A		00D01200171	ARAND.EJE LEVA-FIJ.CUBRECAD. RONDELLA WASHER	SCHEIBE RONDELLE	1 2 3 4 5 6 7 8 9 A B C	
25A		00012061200	TOR.C/R.CR.6M100X12.NG.D-7985. VITE TONDO CROCE 6M100X12 NERA SCREW M6X12	SCHRAUBE.6M100X12.NG.D-798 VIS A TETE RONDE A FENTES C	1 2 3 4 5 6 7 8 9 A B C	
26A		0000A517011	LAMP.FARO INTERMITTES.12V.10W. LAMPADA 12V 10W INDICATOR LIGHT BULB 12V 10W	BLINKLICHTLAMPE 12V 10W. TUBE PHARES CLIGNOTANTS 12V	1 2 3 4 5 6 7 8 9 A B C	
27A		00H01701301	CTO.FARO INTTE.TR.DR.S-R COMPL.INDIC.DIREZIONE TURN SIGNAL LIGHT REAR RH	BLINKR HINTEN GLIGNOTEURS AR. DROITE	1 2 3 4 5 6 7 8 9 A B C	
28A		00H01704071	R-CRISTAL INTERMITENTE VETRO INTERMITTENTE LENS, TURN SIGNAL	BLINKERGLAS GLACE CLIGNOTANT ARRIEGE	1 2 3 4 5 6 7 8 9 A B C	
29A		00H01701391	CTO.FARO INTTE.TR.IZ.S-R COMP.INDIC.DIREZIONE TURN SIGNAL LIGHT REAR LEFT	BLINKR HINTEN GLIGNOTEURS AR. GAUCHE	1 2 3 4 5 6 7 8 9 A B C	
30A		00H02304501	MUELLE REGULACION FARO MOLLA FARO ANTERIORE FRONT HEAD LIGHT SPRING	SCHWEINWERFER-FEDER RESSORT PHARE AVANT	1 2 3 4 5 6 7 8 9 A B C	

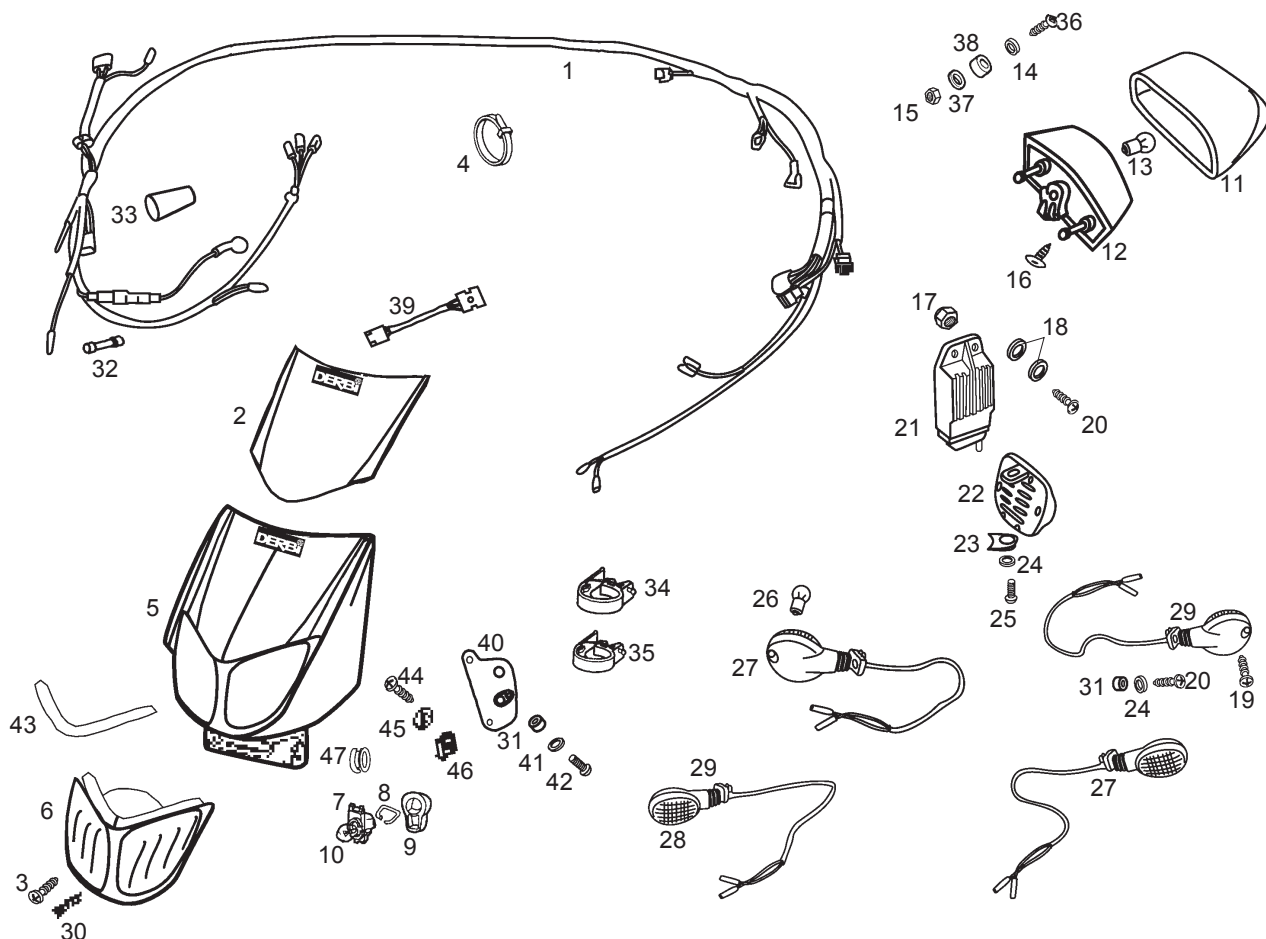


Fig.	Ver.	COD. KOD.	DESCRIPCIÓN DENOMINAZIONE NAME	BEZEICHUNG DESIGNATION	MOD.	NOTAS NOTES NOTA MITSCHRIFT NOTES
31A		00000023060	TCA.AUTOBLOC. 6M100.DIN-985.8 DADO AUTOBLOCCANTE 6M100 SELF-LOCKING NUT M6	MUTTER ECROU INDESSERRABLE 6M100.D	1 2 3 4 5 6 7 8 9 A B C	
32A		00G01000911	FUSIBLE 4AH FUSIBILE 4AO. FUSE 4AH.	FUSE, 4 A FUSIBLE 4 AH.	1 2 3 4 5 6 7 8 9 A B C	
33A		00H02301961	PROTECT. CONEX.INST.ELECT. PROTEZIONE WIRING HARNESS CONNECTOR	WIRING HARNESS CONNECTOR PROTE PROTECTION CONNEXIONS INSTALLA	1 2 3 4 5 6 7 8 9 A B C	
34A		00H04605841	BRIDA FIJ. SUP. CARC. FARO FLANGIA CLAMP	BEF.-SCHELLE ENTRETOISE	1 2 3 4 5 6 7 8 9 A B C	
35A		00H04603841	BRIDA FIJ. INF. CARC. FARO FLANGIA CLAMP	BEF.-SCHELLE ENTRETOISE	1 2 3 4 5 6 7 8 9 A B C	
36A		00004053500	TORN. C/ALLEN 5 X 35 VITE 5 X 35 BOLT, ALLEN 5X35	INBUSSCHRAUBE 5M80X50 VIS A TETE ALLEN 5M80X50	1 2 3 4 5 6 7 8 9 A B C	
37A		00H01002821	CASQ.FIJ.PILOTO TRAS. GHIERA BEARING	LAGER 6055 25.47.12 2RS COUSSINET 6005 25-47-12 2RS	1 2 3 4 5 6 7 8 9 A B C	
38A		00H06800461	SILENTB.FIJ.SOPTE.CARENADO SILENTBLOCK FISS.SUPPORTO FAIRING MOUNTING BRACKET SECUR	SILENTBLOCK SILENTBLOC	1 2 3 4 5 6 7 8 9 A B C	
39A		00H05700481	CTO.TEMPORIZADOR CHECK IND. TEMPORIZZATORE CHECK INP. TIMER CHECK INDICATOR	ZEITSCHALTER FAISCEAU COMPTEUR	1 2 3 4 5 6 7 8 9 A B C	
40A		00H01502741	SOPORTE CARCASA SUPPORTO CARC. HEADLIGHT CUSING SUPPORT	HALTERUNG SUPPORT	1 2 3 4 5 6 7 8 9 A B C	
41A		00031106000	ARANDELA RONDELLA WASHER	SCHEIBE RONDELLE	1 2 3 4 5 6 7 8 9 A B C	

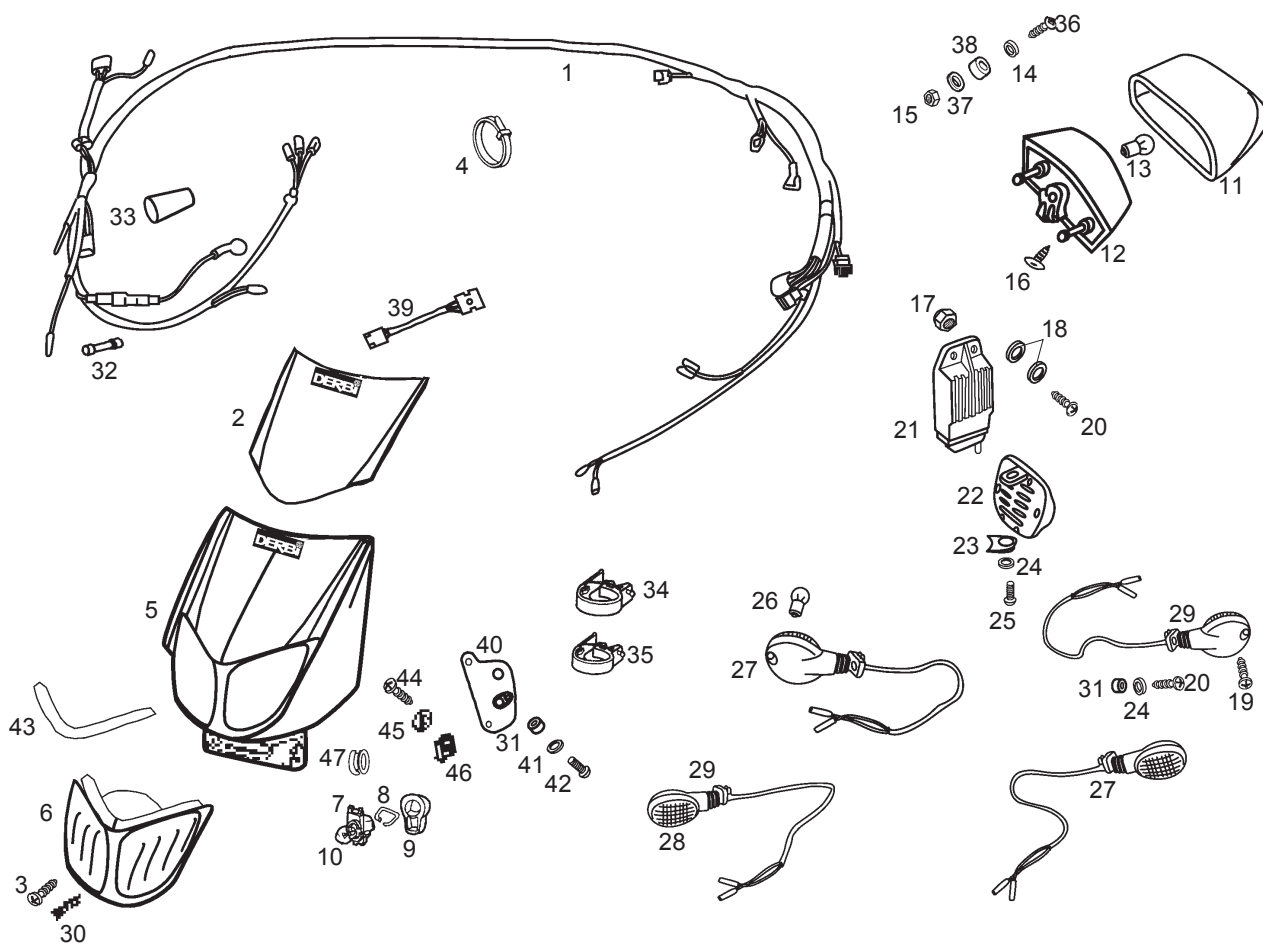


Fig.	Ver.	COD. KOD.	DESCRIPCIÓN DENOMINAZIONE NAME	BEZEICHNUNG DESIGNATION	MOD.	NOTAS NOTES NOTA MITSCHRIFT NOTES
42A		00012063000	TORNILLO VITE SCREW	SCHRAUBE VIS	1 2 3 4 5 6 7 8 9 A B C	
43A		00H05700101	TOPE FARO DTRO. FERMO FARO HEADLIGHT STOP	ANSCHLAG SCHEINWERFER BUTEE PHARE	1 2 3 4 5 6 7 8 9 A B C	
44A		00000012515	TO. C/RED. CR.5M80X15 VITE TONDA CROCE GCR 5M80X15 ROUND HEAD PHILIPS SCREW 5M80X15	SCHRAUBE VIS T. RONDE CROIX	1 2 3 4 5 6 7 8 9 A B C	
45A		00D02600631	ARAND.TOPE MUELLE EMBRAGUE RONDELLA WASHER	SCHEIBE RONDELLE	1 2 3 4 5 6 7 8 9 A B C	
46A		00G04401461	TCA.FIJ.CUBRECAD.212827 DADO FISSAGGIO NUT	MUTTER ECROU	1 2 3 4 5 6 7 8 9 A B C	
47A		00H05701061	PASACABLE CARCASA FARO PASSACAVI CARC.FARO HEADLIGHT COSING RUBBER	KABELSCHUTZ PASSE-CABLES	1 2 3 4 5 6 7 8 9 A B C	

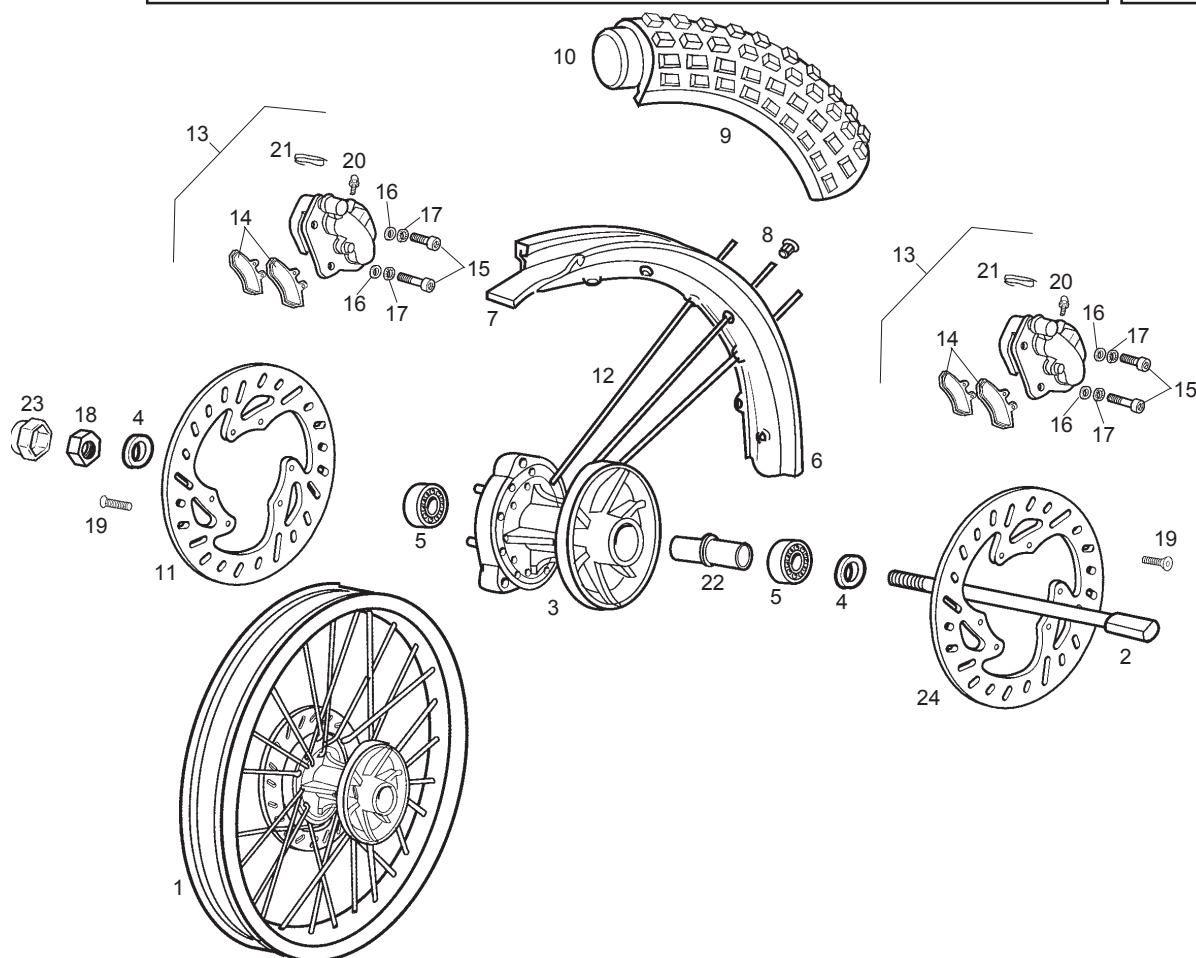


Fig.	Ver.	COD. KOD.	DESCRIPCIÓN DENOMINAZIONE NAME	BEZEICHUNG DESIGNATION	MOD.	NOTAS NOTES NOTA MITSCHRIFT NOTES
01A		00H04715081	R-CTO. RUEDA. DT. C/DIS. R-COMPL.RUOTA ANT.C/DISEGNO FRONT WHEEL ASSEMBLY	VORDERRAED ROUE AV.COMPOSITE	1 2 3 4 5 6 7 8 9 A B C	
02A		00H01204271	EJE RUEDA DTRA. ASSE RUOTA ANTERIORE AXLE FRONT WHEEL	VORDERRADADCHSE AXE DE ROUE AV.	1 2 3 4 5 6 7 8 9 A B C	
03A		00H01206711	CTO.CARRETE DT. MOZZO ANT. FRONT HUB ASSY	RADNABE MOYEU	1 2 3 4 5 6 7 8 9 A B C	
04A		00032015000	ARAND. PLANA.D.15. DIN125-A-ST. RONDELLA PIATTA D.15 FLAT WASHER, D15	SCHEIBE D.15 DIN125-A-ST RONDELLE PLATE D.15.DIN125-A-S	1 2 3 4 5 6 7 8 9 A B C	
05A		00000056202	COJINETE.15.35.11./6202.SKF. CUSCINETTO 15.35.11 6202 SKF BEARING	LAGER 15.35.11 6202 SKF ROULEMENT 15.35.11 6202 SKF	1 2 3 4 5 6 7 8 9 A B C	
06A		00H01211081	LLANTA RDA.DT. CERCHIONE RUOTA ANT. FRONT WHEEL RIM	VORDERRADFELGE JANTE AV.	1 2 3 4 5 6 7 8 9 A B C	
07A		00D01201091	PROTECT.CAMARA RDA.DTRA.21".SV PROTETTORE CAMERA RUOTA ANT.21 RIM STRIP	FELGELBAND PROTECTEUR DE CHAMBRE A AIR	1 2 3 4 5 6 7 8 9 A B C	
08A		00002212070	TCA. RAD 10. DADO RADIO SPOKE NUT	MUTTER F.SPEICHE ECROU DE RAYON	1 2 3 4 5 6 7 8 9 A B C	
09A		00H01213111	CUBTA.DT. COPERTORE ANT. FRONT CASING	REIFEN BORN PNEU AV.	1 2 3 4 5 6 7 8 9 A B C	
10A		00H01211101	CAMARA RDA.DT. CAMERA D'ARIA FRONT TUBE	SCHLAUCH VORNE CHAMBRE A AIR	1 2 3 4 5 6 7 8 9 A B C	
11A		00H01200701	DISCO FR.DT. DISCO FRENO ANTERIORE FRONT BRAKE DISC	SCHEIBE NBREMSE VORN DISQUE FREIN AVANT	1 2 3 4 5 6 7 8 9 A B C	

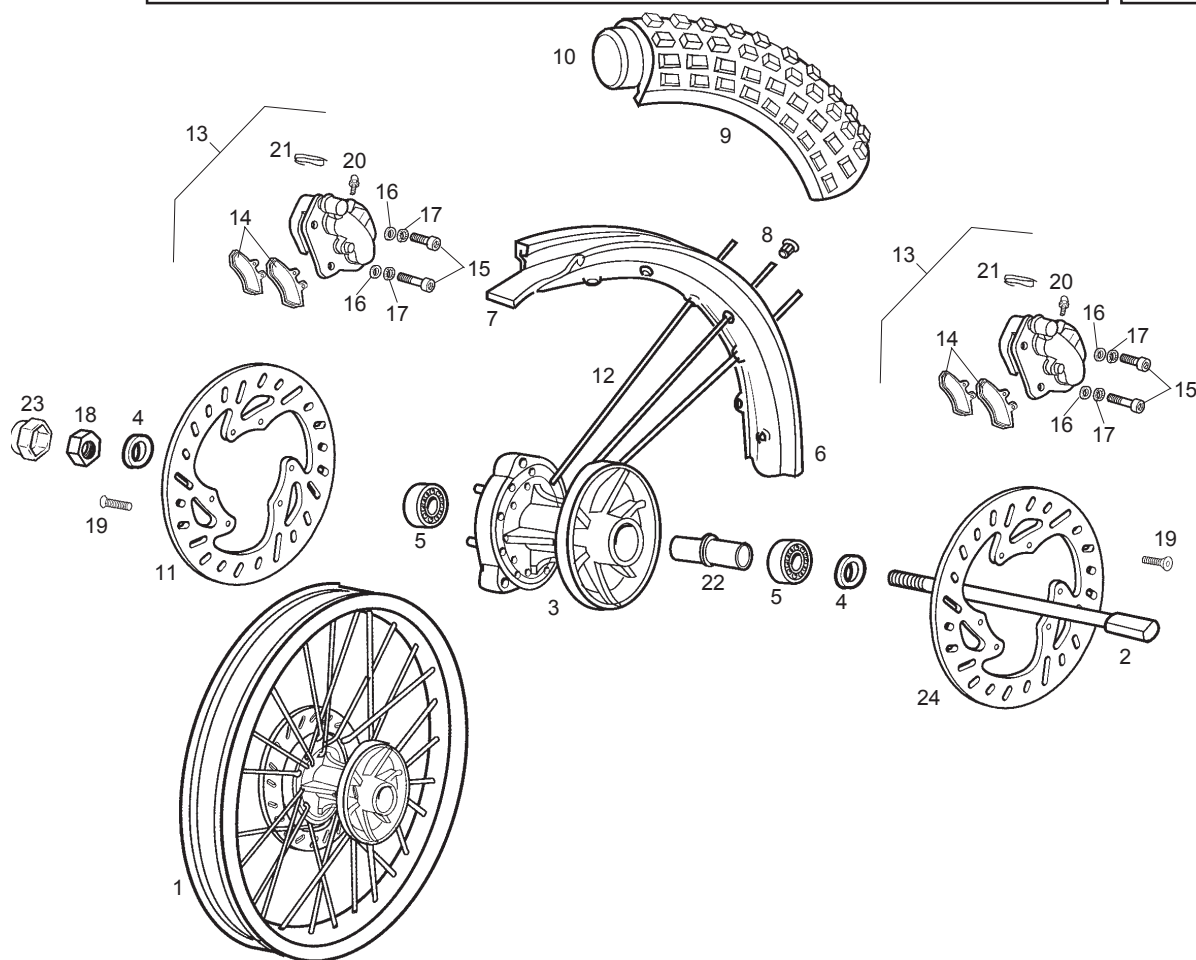


Fig.	Ver.	COD. KOD.	DESCRIPCIÓN DENOMINAZIONE NAME	BEZEICHNUNG DESIGNATION	MOD.	NOTAS NOTES NOTA MITSCHRIFT NOTES
12A		00H01206061	RADIO RUEDA DT.DR. RAGGIO RUOTA ANT. WHEEL ARM.	SPEICHE RAYON DE ROUE	1 2 3 4 5 6 7 8 9 A B C	
13A		00H01206191	R-CTO.PINZA FR.DT.ORO GRP-R COMPLESSO GANASCIA FRENO ANTER LEFT-HAND FRONT CLIP ASSY	BREMSZANGE ENS.ETRIER DE FREIN	1 2 3 4 5 6 7 8 9 A B C	
14A		00H04702141	R-JUEGO PAST.FR.DT. PASTIGLIE FRENO POSTERIORE FDS FRONT BRAKE PAD	BREMSBELAG VORNE PLAQUETTE DE FREIN	1 2 3 4 5 6 7 8 9 A B C	
15A		00000004830	TOR.ALL.BM125X30 8.8/D933 BCR VITE TESTA ESAGONALE 8M125X30. HEX. HEAD SCREW 8M125X30 D933	SCHRAUBE BOULON TETE HEX.8M125X30 D933	1 2 3 4 5 6 7 8 9 A B C	
16A		00000031080	ARAND.PLANA MECANIZ.D.S.DIN125 VITE TESTA ESAGONALE 8M125X30 HEX.HEAD SCREW 8M125X30 D933	TOR.ALL.8M125X30 8.8/D933 BCR BOULON TETE HEX.8M125X30	1 2 3 4 5 6 7 8 9 A B C	
17A		00034000802	ARAND. ESTRELL. INT. DB. DIN 6798-J RONDELLA STELLA INTERNA D8 INNER STAR WASHER D.8	SCHEIBE D.8.DIN6798-J RONDELLE EVENTAIL INT.D8DIN679	1 2 3 4 5 6 7 8 9 A B C	
18A		00H00300672	TCA.CAB.EJE BASCTE.D-934. DADO TESTA ASSE OSCILLANTE D NUT, SWINGARM SHAFT	KIPPACHSEN-MUTTER ECROU AXE BRAS OSCILLANT	1 2 3 4 5 6 7 8 9 A B C	
19A		00H02403281	TOR. FIJ.DISCO VITE ATTACCO SCREW	BEF.-SCHRAUBE VERGASER-ANSAUGS BOUL.SERRAGE BUSE CARBUR.H	1 2 3 4 5 6 7 8 9 A B C	
20A		00F04700121	R-CTO.PURGAD.PINZA FR.DT. R-COMPLESSO SPURGO GANASCIA FR FRONT BRAKE BLEED CLIP ASSY	ABLASSHAHN R-ENS.PURGEUR PINCE FREIN AV.F	1 2 3 4 5 6 7 8 9 A B C	
21A		00H01301831	MUELLE FIJ. PASTILLA FRENO TR. MOLLA FISSAGGIO PASTIGLIA FREN REAR BRAKE PAD SECUR SPRING	FEDER RESSORT FIXATION PLAQUETTE FRE	1 2 3 4 5 6 7 8 9 A B C	
22A		00H01203031	SCTO.SEPARADOR COJINETES SEPARATORE CUSCINETTI SPACER BEARING	DISTANZHULSE SEP. ROULEMENTS MOYEU AR.	1 2 3 4 5 6 7 8 9 A B C	

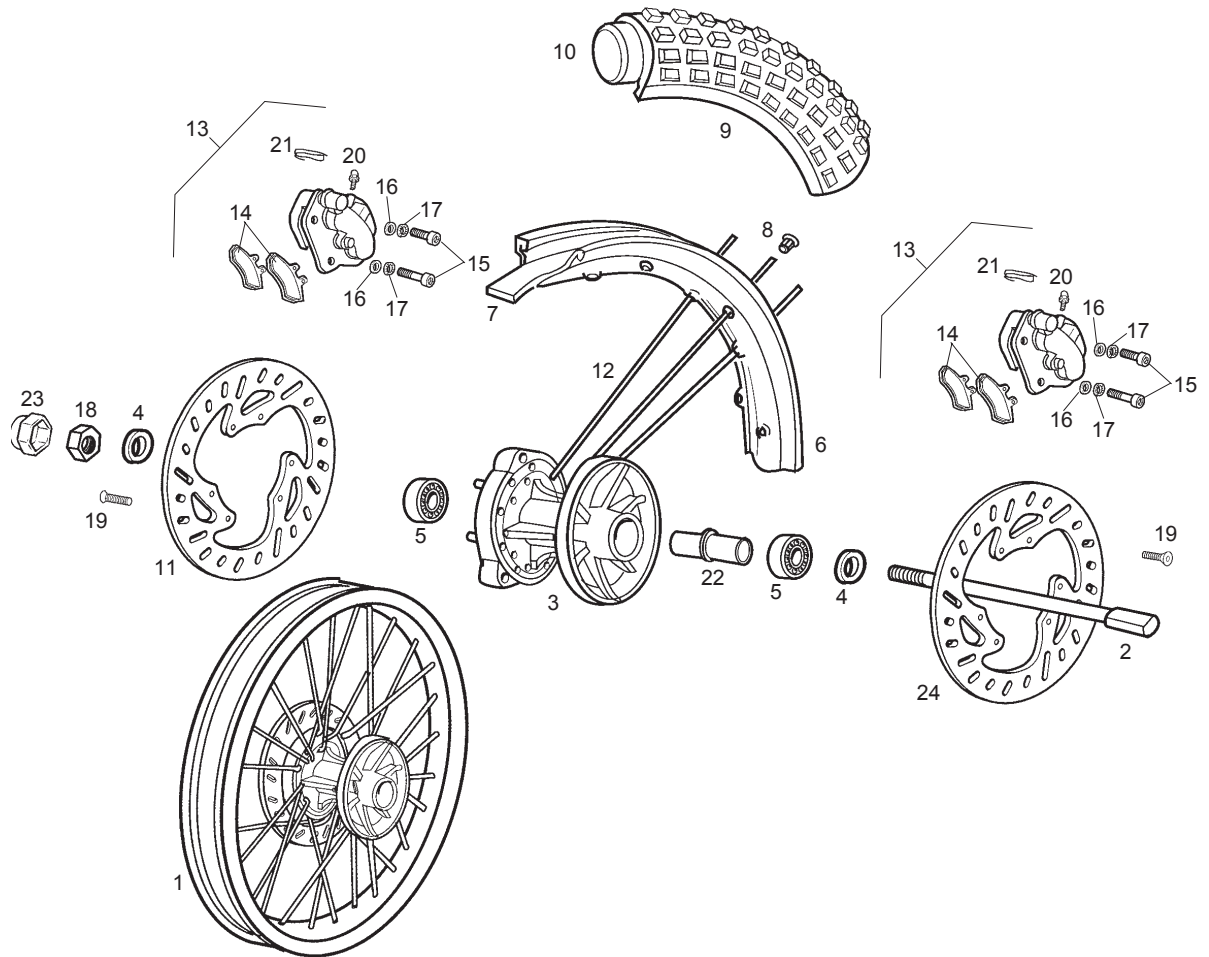


Fig.	Ver.	COD. KOD.	DESCRIPCIÓN DENOMINAZIONE NAME	BEZEICHNUNG DESIGNATION	MOD.	NOTAS NOTES NOTA MITSCHRIFT NOTES
23A		00H01201331	PROTECTOR TUERCA PROTEZIONE PROTECTOR	ABDECKUNG PROTECTEUR	3 4 5 6 7 8 9 A B C	
24A		00H01212021	DISCO FR.DT. DISCO FRENO ANTERIORE FRONT BRAKE DISC	SCHEIBE NBREMSE VORN DISQUE FREIN AVANT	1 2 3 4 5 6 7 8 9 A B C	

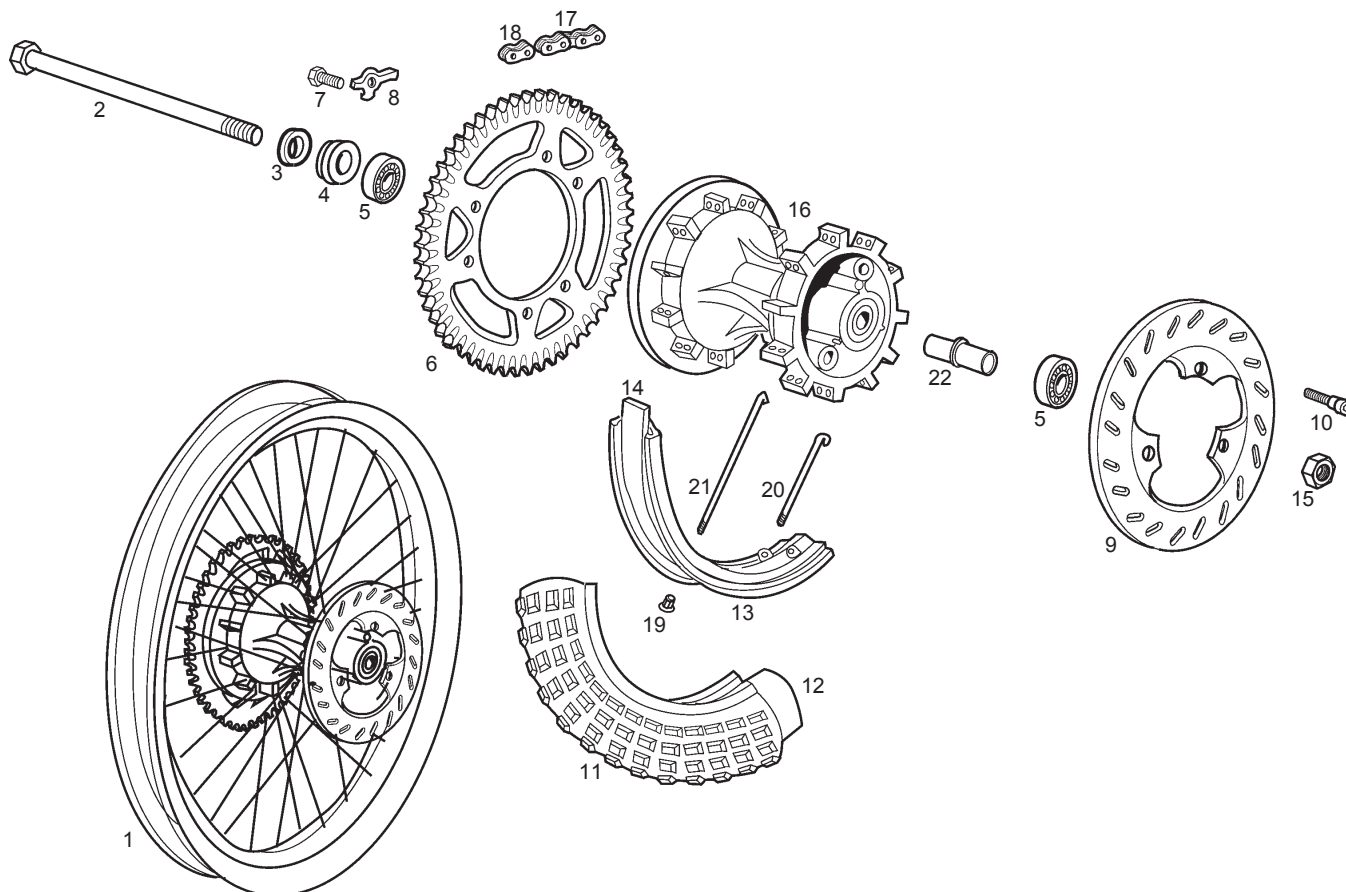


Fig.	Ver.	COD. KOD.	DESCRIPCIÓN DENOMINAZIONE NAME	BEZEICHNUNG DESIGNATION	MOD.	NOTAS NOTES NOTA MITSCHRIFT NOTES
01A		00H02421273	CTO.RUEDA TR. COMP. RUOTA POST. REAR WHEEL ASSEMBLY	HINTERRAD ROUE ARRIERE COMPLETE	1 2	
01B		00H02427272	CTO.RUEDA TR. REAE WHEEL ASSEMBLY REAE WHEEL ASSEMBLY	HINTERRAD ROUE ARRIERE COMPLETE	3 4 5 6	
01C		00H02431271	CTO.RUEDA TR. REAE WHEEL ASSEMBLY REAE WHEEL ASSEMBLY	HINTERRAD ROUE ARRIERE COMPLETE	7 8 9 A B C	
02A		00H01303201	CTO.EJE RDA.TR. SUBCOMPLESSO ASSE RUOTA POSTER REAR WHEEL AXLE SUB-ASSE.	U-GRUPPE HINTERRADACHSE S/ENSEMBLE AXE ROUE ARRIERE GP	1 2 3 4 5 6 7 8 9 A B C	
03A		00032015000	ARAND. PLANA.D.15. DIN125-A-ST. RONDELLA PIATTA D.15 FLAT WASHER, D15	SCHIEBE D.15 DIN-125 A-ST RONDELLE PLATE D.15.DIN125-A-S	1 2 3 4 5 6 7 8 9 A B C	
04A		00H01306181	CASQ.LADO PLATO '98 GHIERA LATO PIATTO SPACER	DISTANZHULSE ENTRETOISE	1 2 3 4 5 6 7 8 9 A B C	
05A		00000056202	COJINETE.15.35.11./6202.SKF. CUSCINETTO 15.35.11/6202 SKF BEARING 15.35.11/6202 SKF	LAGER 15.35.11/6202 SKF PALIER 15.35.11/6202 SKF	1 2 3 4 5 6 7 8 9 A B C	
06A		00H01316033	PLATO ARRASTRE Z-53 ORO PIATTO TRAINO Z-53 DRIVE PLATE Z-53	MITNEHMERSCHIEBE Z-53 COURONNE ARRIERE Z-53	1 2	
06B		00H01319031	PLATO ARRASTRE Z-70 PIATTO TRAINO Z-70 DRIVE PLATE Z-70	MITNEHMERSCHIEBE Z-70 COURONNE ARRIERE Z-70	3 4 5 6	
06C		00H01317031	PLATO ARRASTRE Z-53 PIATTO TRAINO Z-53 DRIVE PLATE Z-53	MITNEHMERSCHIEBE Z-53 COURONNE ARRIERE Z-53	7 8 9 A B C	
07A		00002182000	TOR.C/EX.8M125X20 8.8/D933 BCR VITE TESTA ESAGONALE 8M125X20 HEX. HEAD SCREW 8M125X20	SCHRAUBE 8M125X20 BOULON TETE HEX.8M125X20	1 2 3 4 5 6 7 8 9 A B C	

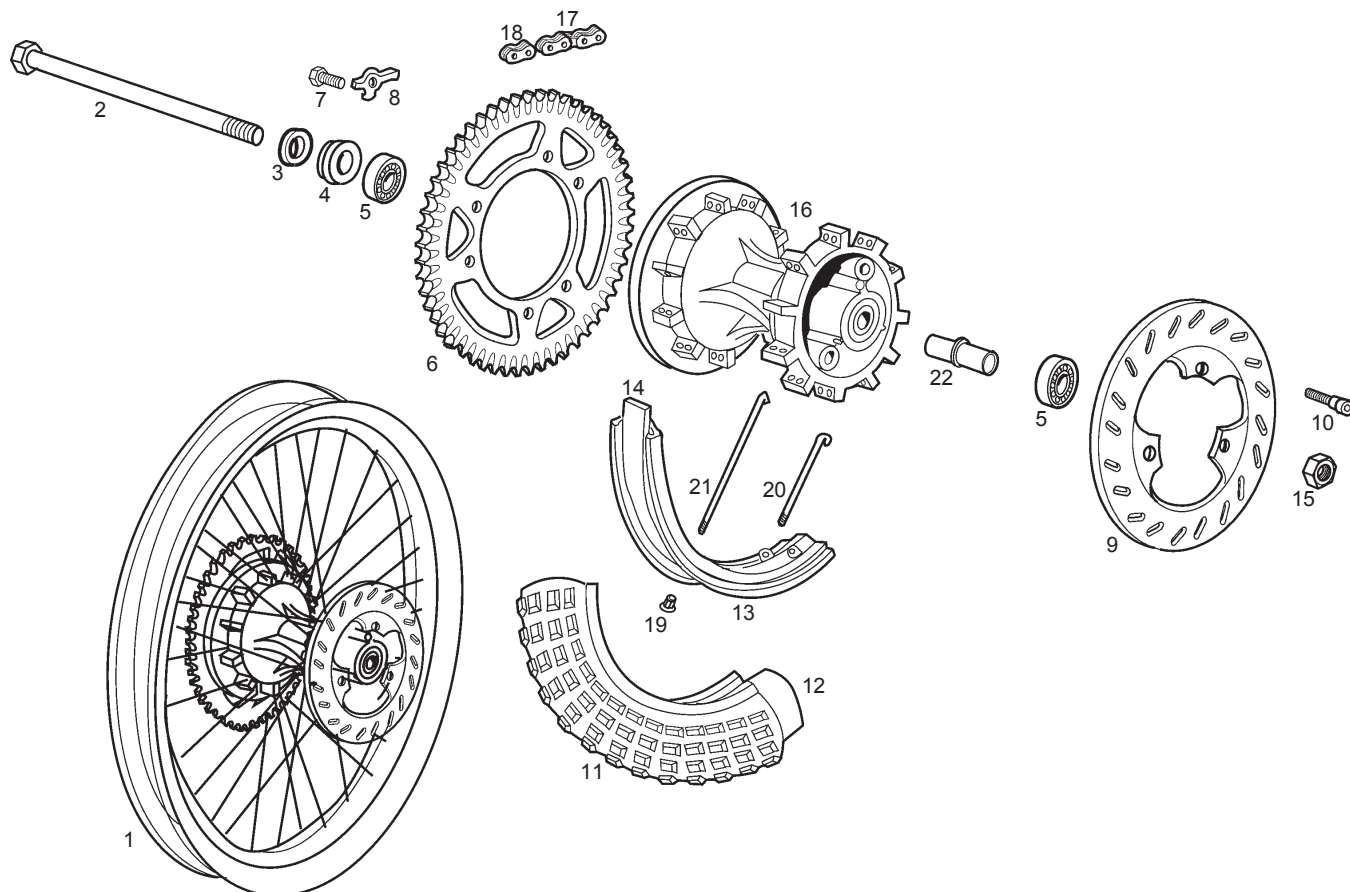


Fig.	Ver.	COD. KOD.	DESCRIPCIÓN DENOMINAZIONE NAME	BEZEICHUNG DESIGNATION	MOD.	NOTAS NOTES NOTA MITSCHRIFT NOTES
08A		00H01302052	PREC.TOR.PLATO ARRAST. PIASTRINA VITE PIATTO TRASCINA BRAKE DISC RETAINER	SCHRAUBE MITNEHMERSCHEIBE ARRETOIR DES BOULONS DISQUE	1 2 3 4 5 6 7 8 9 A B C	
09A		00H01304531	DISCO FRENO TR. DISCO FRENO POSTERIORE REAR BRAKE DISC	BREMSSCHEIBE HINTEN DISQUE DE FREIN ARRIERE	1 2 3 4 5 6 7 8 9 A B C	
10A		00H02401282	TOR. FIJ.DISCO FR. TR.FEN.95 AL. VITE FISSAGGIO DISCO FRENO REAR BRAKE DISC SEC. SCREW	BEF.-SCHRAUBE BREMSSCHEIBE BOUL.SER.DISQUE FR.ARR.FEN.95	1 2 3 4 5 6 7 8 9 A B C	
11A		00H01313321	CUBIERTA TR. COPERTONE POST. REAR CASING	REIFEB HINTEN PNEU ARR.	1 2 3 4 5 6 7 8 9 A B C	
12A		00H01312361	CAMARA RDA.TR. CAMERA RUOTA POST. REAR WHEEL CAMBER	SCHLAUCH CHAMRE A AIR ARR.	1 2 3 4 5 6 7 8 9 A B C	
13A		00H01306351	LLANTA TRAS. CERCHIONE POSTERIORE 2,15X18" MAGWHEEL REAR	HINTERRADFELGE JANTE ARRIERE NUE.	1 2 3 4 5 6 7 8 9 A B C	
14A		00D01301401	PROTECTOR CAMARA PROTEZIONE CAMERA RUOTA POSTER RIM STRIP	FELGENBAND PROTECTEUR DE CHAMBRE A AIR	1 2 3 4 5 6 7 8 9 A B C	
15A		00H00300672	TCA. CAB. EJE BASCTE. D-934. DADO TESTA ASSE OSCILLANTE D NUT,SWINGARM SHAFT	KIPPACHSEN MUTTER ECRON AXE BRAS OSCILLANT	1 2 3 4 5 6 7 8 9 A B C	
16A		00H01306821	CTO.CARRETE TR.'98 MOZZO POST. REAR COIL	RADNABE MOYEU ARRIERE	1 2 3 4 5 6 7 8 9 A B C	
17A		00H01502201	CADENA SEC.130 CATENA SEZ. 130 TRANSMISSION CHAIN 130	KETTE 130 CHAINE TRANSMISSION 130	1 2 7 8 9 A B C	
17B		00H01521201	CADENA SEC.140 CATENA SEZ. 140 TRANSMISSION CHAIN 140	KETTE 140 CHAINE TRANSMISSION 140	3 4 5 6	

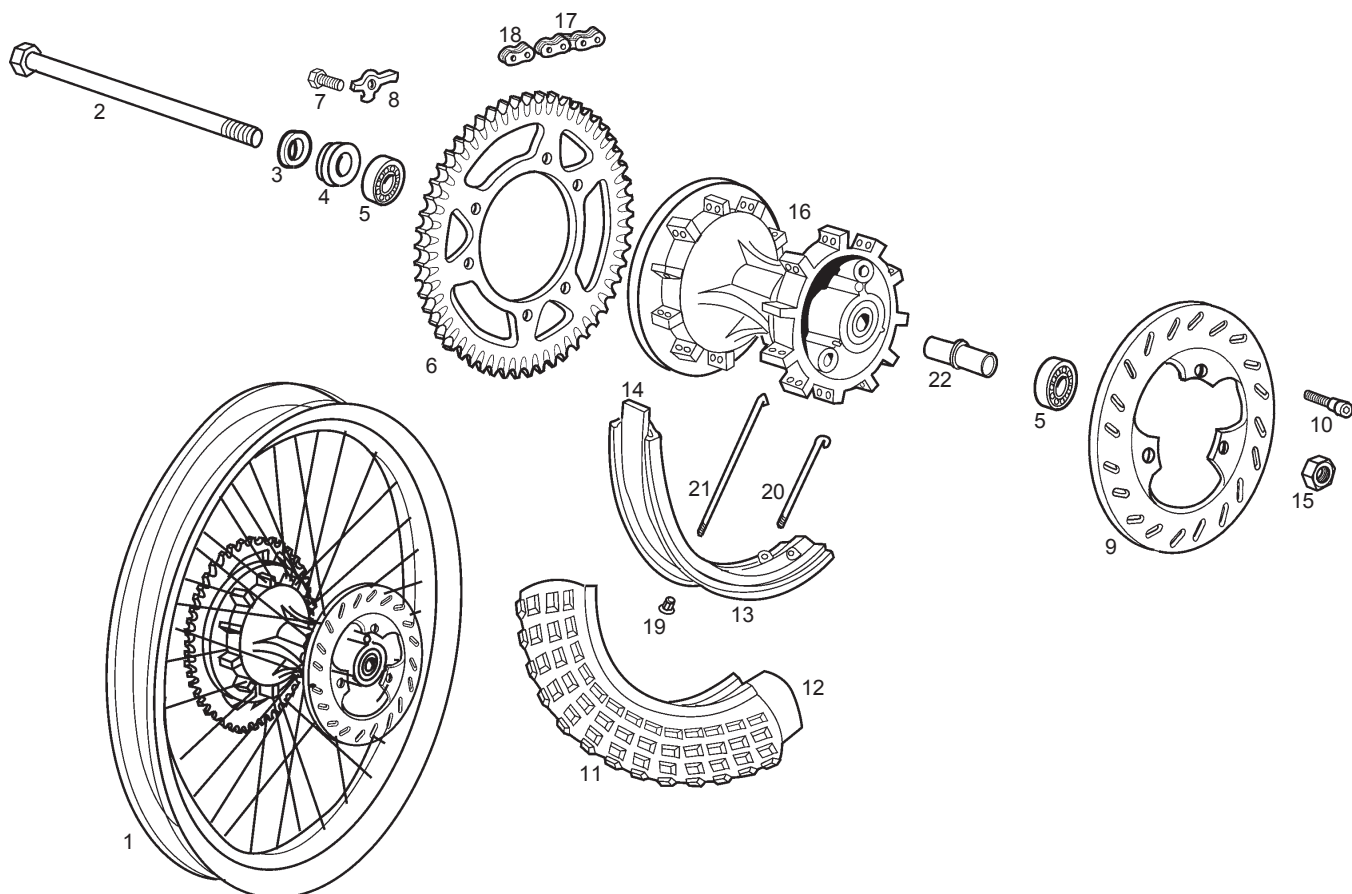


Fig.	Ver.	COD. KOD.	DESCRIPCIÓN DENOMINAZIONE NAME	BEZEICHNUNG DESIGNATION	MOD.	NOTAS NOTES NOTA MITSCHRIFT NOTES
18A		00H01501212	R-ENGANCHE DORAD.CADENA SEC. AGGANCIAMENTO CATENA SICUREZZA MASTER LINK	KETTENSLOSS ATTACHE RAPIDE	1 2 3 4 5 6 7 8 9 A B C	
19A		00002212070	TCA.RADIO. DADO RADIO SPOKE NUT	MUTTER F. SPEICHE ECROU DE RAYON	1 2 3 4 5 6 7 8 9 A B C	
20A		00H01301721	RADIO RUEDA TR. LADO DISCO SPEICHE REAR SHORT INNER SPOKE	SPEICHE RAYON ROUE AR INT.COURT	1 2 3 4 5 6 7 8 9 A B C	
21A		00H01303731	RADIO INT.TR.LADO PLATO RADIO POST.LATO PIATTO REAR INNER SPOKE	SPEICHE RAYON ROUE ARRIERE INT.	1 2 3 4 5 6 7 8 9 A B C	
22A		00H01303091	SCTO.SEPARADOR COJINETES SUBCOMPLESO SEPARATORE CUSCIN BEARING SPACER	DISTANZHULSE SEPARATEUR ROULEMENTS	1 2 3 4 5 6 7 8 9 A B C	

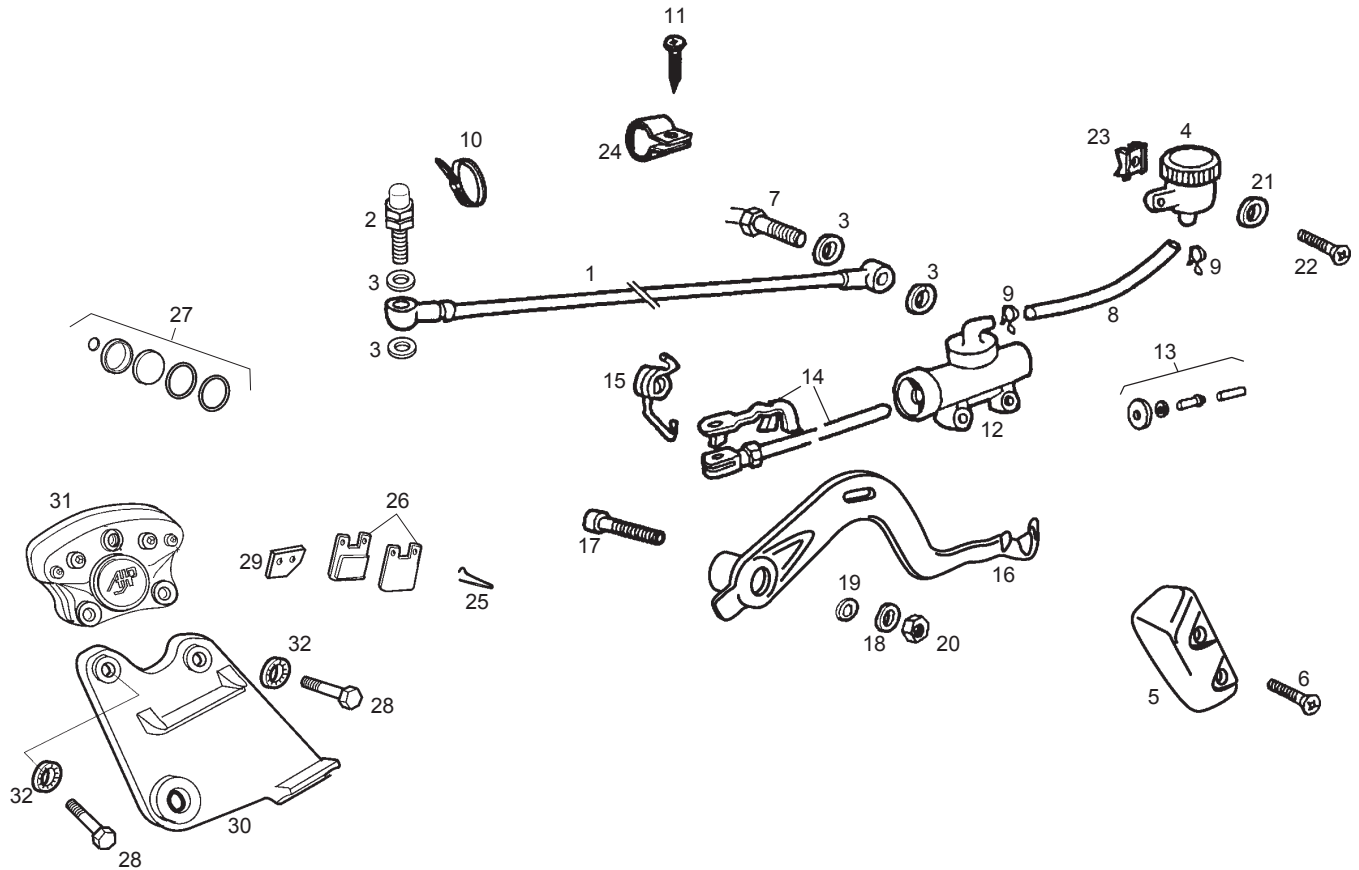


Fig.	Ver.	COD. KOD.	DESCRIPCIÓN DENOMINAZIONE NAME	BEZEICHUNG DESIGNATION	MOD.	NOTAS NOTES NOTA MITSCHRIFT NOTES
01A		00H01111081	TUBO LIQ. FR. TRAS. TUBO LIQUIDO FRENO BRAKE ROD	BREMSSCHLAUCH TIGE DE FREIN	1 2 3 4 5 6 7 8 9 A B C	
02A		00H04702121	RACORD TUBO IDRAULICO RACCORDO TUBO IDRAULICO HYDRAULIC TUBE CONNECTOR	STUTZEN HIDRAULIKLEITUNG RACCORD TUYAU HYDRAULIQUE	1 2 3 4 5 6 7 8 9 A B C	
03A		00006321040	ARAND. JUNTA RACORD RONDELLA GUARNIZIONE RACCORDO CONNECTOR GASKET WASHER	DICHTRING RONDELLE DE JOINT RACCORD	1 2 3 4 5 6 7 8 9 A B C	
04A		00D01100201	CTO. DPSTO. LIQ. FRENO TRAS. SERBATOIO LIQUIDO FR FLUID TUBE TANK	BEHALTER RESERVOIR FLUID TUBE	1 2 3 4 5 6 7 8 9 A B C	
05A		00H01101731	PROTECT.BOMBA.LIQ.FR.TR. PROTEZIONE FRENO POSTERIORE REAR BRAKE, PROTECTOR	ABDECKUNG PROTECTEUR ENS.COMMANDE FRE	1 2 3 4 5 6 7 8 9 A B C	
06A		00G01503701	TOR.FIJ.ESC.FRONTAL VITE FISSAGGIO SCUDO FRONTALE FRONT SHIELD SECURING SCREW	FRONT SHIELD SECURING SCREW BOULON SER. FRONTAL	1 2 3 4 5 6 7 8 9 A B C	
07A		00H01001701	CTO. INTERRUPTOR STOP COMP.INTERUTTORE FANALINO SWITCH, STOP LIGHT	STOPCHALTER VO. INTERRUPTEUR COMMANDE STOP	1 2 3 4 5 6 7 8 9 A B C	
08A		00H01101211	TUBO DPSTO. A BOMBA FRENO TRAS. TUBO SERBATOIO A POMPA FRENO P REAR FLUID TUBE	SCHLAUCH FLEXIBLE DE FREIN ARRIERE	1 2 3 4 5 6 7 8 9 A B C	
09A		00H03700131	ABRAZ. ELAST. 818-913 RONDELLA STELLA INTERIORE ELASTIC CLAMP	SHELLE ELAST. COLLIER ELASTIQUE	1 2 3 4 5 6 7 8 9 A B C	
10A		00F00900531	BRIDA UNE CABLES NEGRA FLANGIA UNIONE CAVI BLACK CABLE TIE	KABELBINDER COLLIER	1 2 3 4 5 6 7 8 9 A B C	
11A		00011041300	TOR.AUT.C/CR.NG.4,8X13.D-7981B VITE AUTOFILETTANTE TESTA CROC SCREW, SELF TAPPING 4.8MM13	SCHRAUBE BOULON	1 2 3 4 5 6 7 8 9 A B C	

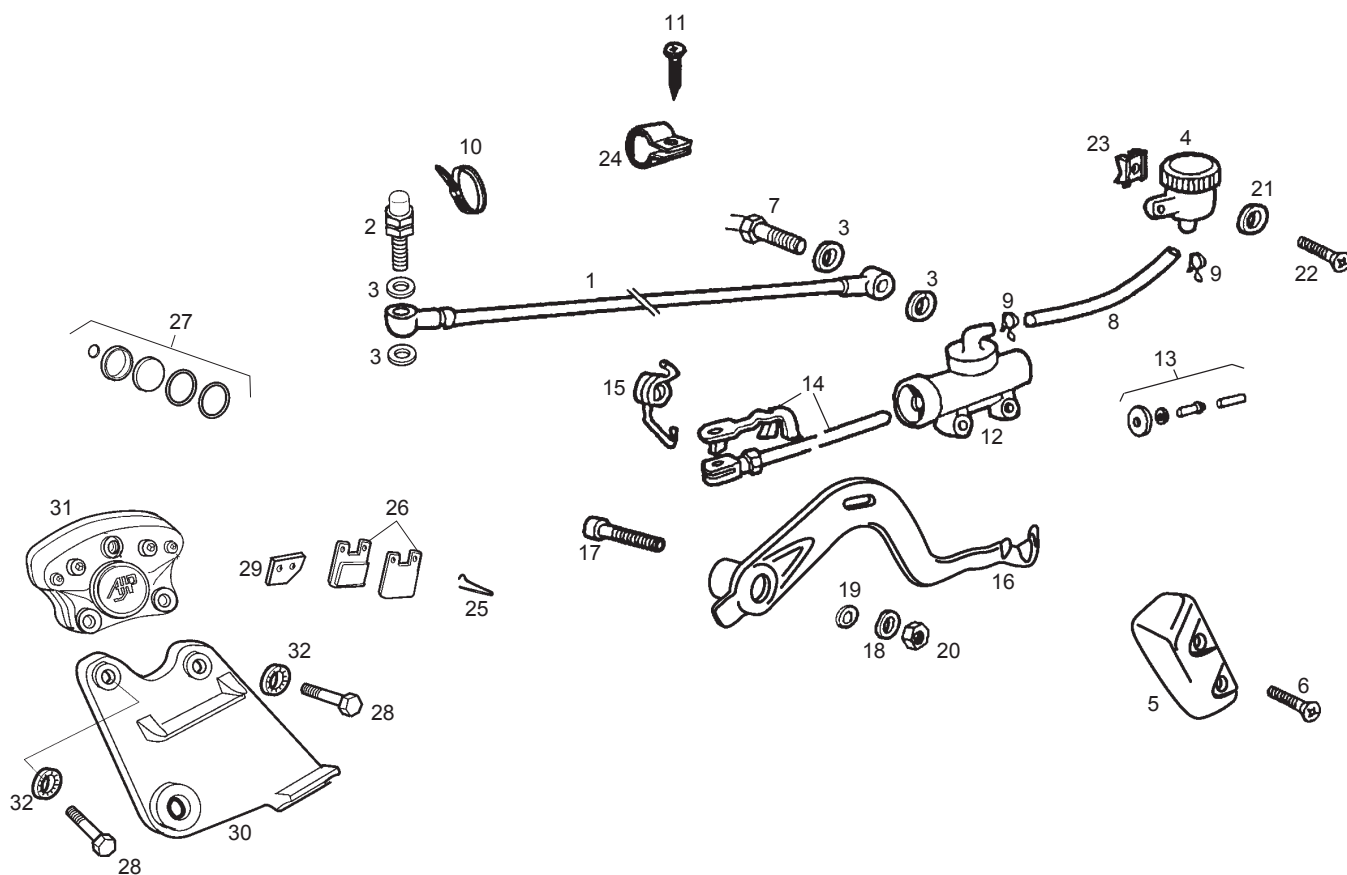


Fig.	Ver.	COD. KOD.	DESCRIPCIÓN DENOMINAZIONE NAME	BEZEICHNUNG DESIGNATION	MOD.	NOTAS NOTES NOTA MITSCHRIFT NOTES
12A		00H01102181	CTO. BOMBA FRENO TRASERO FRENO POSTERIORE REAR BRAKE CONTROL ASSY	REAR BRAKE CONTROL ASSY. ENSEMBLE COMMANDE FREIN ARRIER	1 2 3 4 5 6 7 8 9 A B C	
13A		00H01100461	R-CTO. KIT BOMBA FR. TRAS. COMP.KIT POMPA FR.POSTER. REAR KIT CYLINDER ASSY	REP.-SATZBREMSZYL.HINTEN D ENSEM.KIT POPMPE FREIN ARR.	1 2 3 4 5 6 7 8 9 A B C	
14A		00H01103611	CTO.VARILLA BOMBA FR.TR. COMP.ASTA POMPA FRENO REAR BRAKE ROD	BREMSSTANGE TIGE DE FREIN ARRIERE	1 2 3 4 5 6 7 8 9 A B C	
15A		00H01102072	MUELLE PEDAL FR. TRAS. MOLLA PEDALE FRENO POSTERIORE SPRING PEDAL BRAKE	FEDER RESSORT PEDALE FREIN	1 2 3 4 5 6 7 8 9 A B C	
16A		00H01120021	PALANCA FRENO PEDALE FRENO BRAKE PEDAL	FUSSBREMSHEBEL PEDALE DE FREIN AR.	1 2 3 4 5 6 7 8 9 A B C	
17A		00H01100172	TORN. FIJ. PALANCA FR. TRAS. VITE PEDALE FRENO BRAKE PEDAL BRAKE	INBUSSCHRAUBE FUSSBREMSHEBEL BOULON PEDALE DE FREIN	1 2 3 4 5 6 7 8 9 A B C	
18A		00402080001	ARAND.PLANA MECANIZ.D.8.DIN125 RONDELLA PIATTA D8 MACHINED FLAT WASHER D8 DIN-12	SCHEIBE ROND. PLATE MECANISEE	1 2 3 4 5 6 7 8 9 A B C	
19A		00005527540	ARAND.REG.TOR.PAL.FIJ.MARCH RONDELLA SNODO PEDALE FRENO BUSHING	FUHRUNGSBUCHSE GABELSCHENK ENTRETOISE	1 2 3 4 5 6 7 8 9 A B C	
20A		00023108000	TCA.AUTOBLOC. 8M125.DIN-985.8 DADO AUTOBLOCCANTE 8M125 SELF-LOCKING NUT M8	MUTTER SELBSTS ECROU INDESSERABLE 8M125.DI	1 2 3 4 5 6 7 8 9 A B C	
21A		00D02600631	ARAND.TOPE MUELLE EMBRAGUE RONDELLA PIATTA D6 WASHER	SCHEIBE RONDELLE	1 2 3 4 5 6 7 8 9 A B C	
22A		00012151500	TOR.C/RED.ALL.5M100X16.D7380 VITE T/TON.BRUGO.6M100X16.D738 ALLEN ROUND HEAD SCREW 6M100X1	SCHRAUBE 5M8OX16.D7985NG VIS A TETE RONDE A FENTES C	1 2 3 4 5 6 7 8 9 A B C	

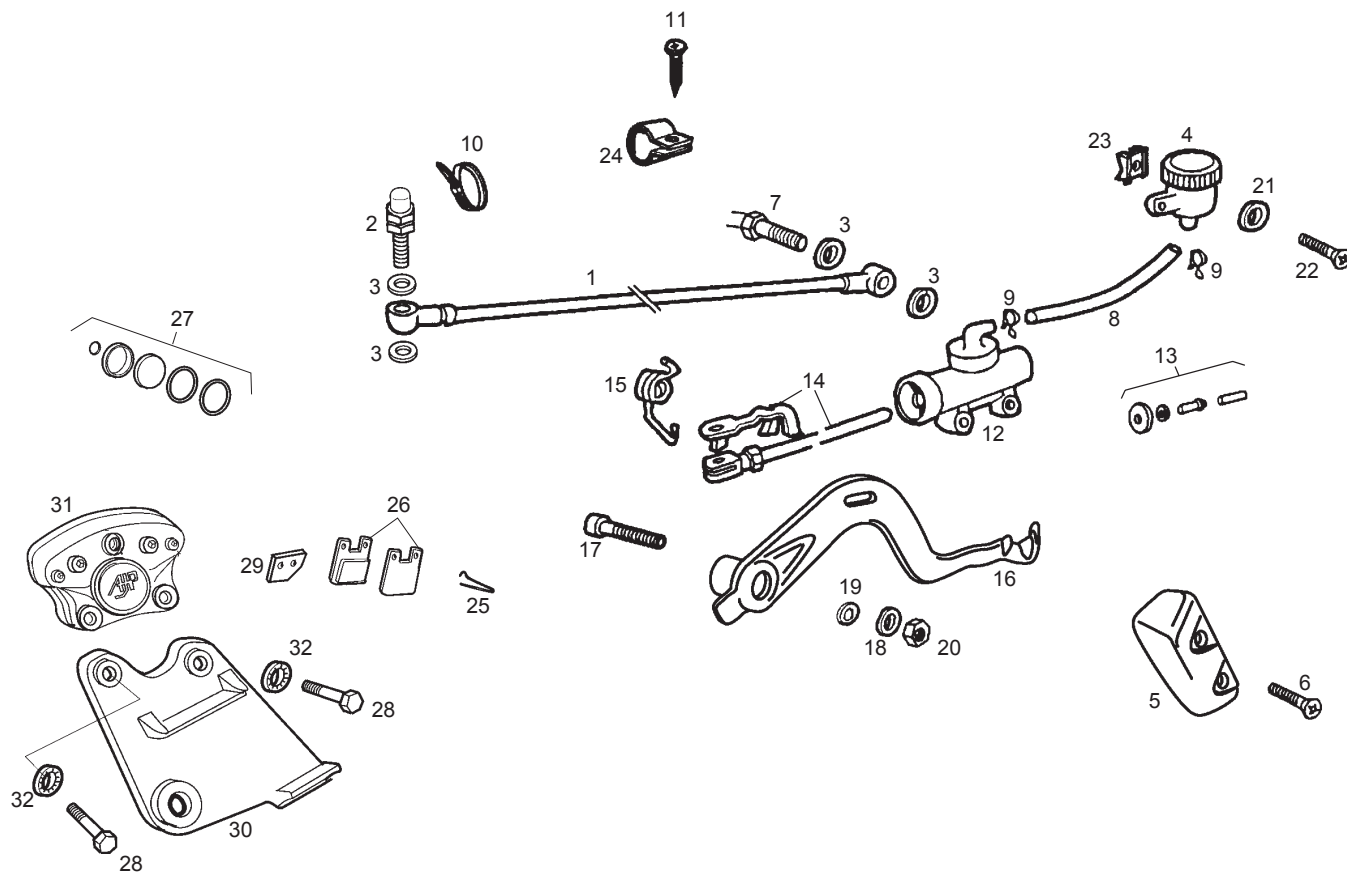


Fig.	Ver.	COD. KOD.	DESCRIPCIÓN DENOMINAZIONE NAME	BEZEICHUNG DESIGNATION	MOD.	NOTAS NOTES NOTA MITSCHRIFT NOTES
23A		00G04401462	TCA.FIJ.CUBRECAD.212827 DADO FISSAGGIO NUT	MUTTER ECROU	1 2 3 4 5 6 7 8 9 A B C	
24A		00H01501811	BRIDA FIJ.CABLE FR.TR. FLANGIA CLAMP	BEF.-SCHELLE ENTRETOISE	1 2 3 4 5 6 7 8 9 A B C	
25A		00H01301831	MUELLE FIJ.PASTILLA FRENO TR. MOLLA FISSAGGIO PASTIGLIA FREN REAR BRAKE PAD SECUR SPRING	FEDER RESSORT FIXATION PLAQUETTE FRE	1 2 3 4 5 6 7 8 9 A B C	
26A		00G04700141	R- JUEGO PAST. FR. DT. BS-S-40-GF PASTIGLIE FRENO POSTERIORE FDS FRONT BRAKE PAD	BREMSBELAG VORNE PLAQUETTE DE FREIN	1 2 3 4 5 6 7 8 9 A B C	
27A		00D01200831	R-KIT PINZA FR.D.AJP. R-COMPLESSO GANASCIA FRENO ANT FRONT BRAKE CYLINDER KIT	BREMSZANGEN REP. ZALZ R-KIT PINCE FREIN AV.AJP.1	1 2 3 4 5 6 7 8 9 A B C	
28A		00000004830	TOR.ALLEN.SM125X30 8.8/D933 BCR VITE TESTA ESAGONALE 8M125X30. HEX. HEAD SCREW 8M125X30 D933	SCHRAUBE BOULON TETE HEX.8M125X30 D933	1 2 3 4 5 6 7 8 9 A B C	
29A		00G04700131	R-PLACA INTERM.PASTILLA FRENO PIASTRA INTERMEDIA PASTIGLIA INTERMEDIATE PLATE, BRAKE PAD	SWISCHENPLATTE DES BREMSBEL CALE DE PLAQU.DE FREIN ANTI BR	1 2 3 4 5 6 7 8 9 A B C	
30A		00H01303521	SCTO.SOPTE.PINZA FR. TR. SUBCOMPLESSO SUPPORTO GANASCIA REAR BRAKE CALIPER BRACKET SUB	U-GRUPPE HINTERBREMSBACKEN S/ENSEMBLE SUPPORT PINCE FREIN	1 2 3 4 5 6 7 8 9 A B C	
31A		00H01103581	CTO.PINZA FR.TR. COMPLESSO GANASCI A POSTERIORE REAR CLIP ASSEMBLY	BREMSZANGE HINTEN ETRIER FREIN ARR.	1 2 3 4 5 6 7 8 9 A B C	
32A		00034000802	ARAND.ESTRELL.INT.DS.DIN6798-J RONDELLA STELLA INTERNA D8 INNER STAR WASHER D.8	SHEIBE D.8 DIN 6798-J RONDELLE EVENTAIL INT.D8DIN679	1 2 3 4 5 6 7 8 9 A B C	

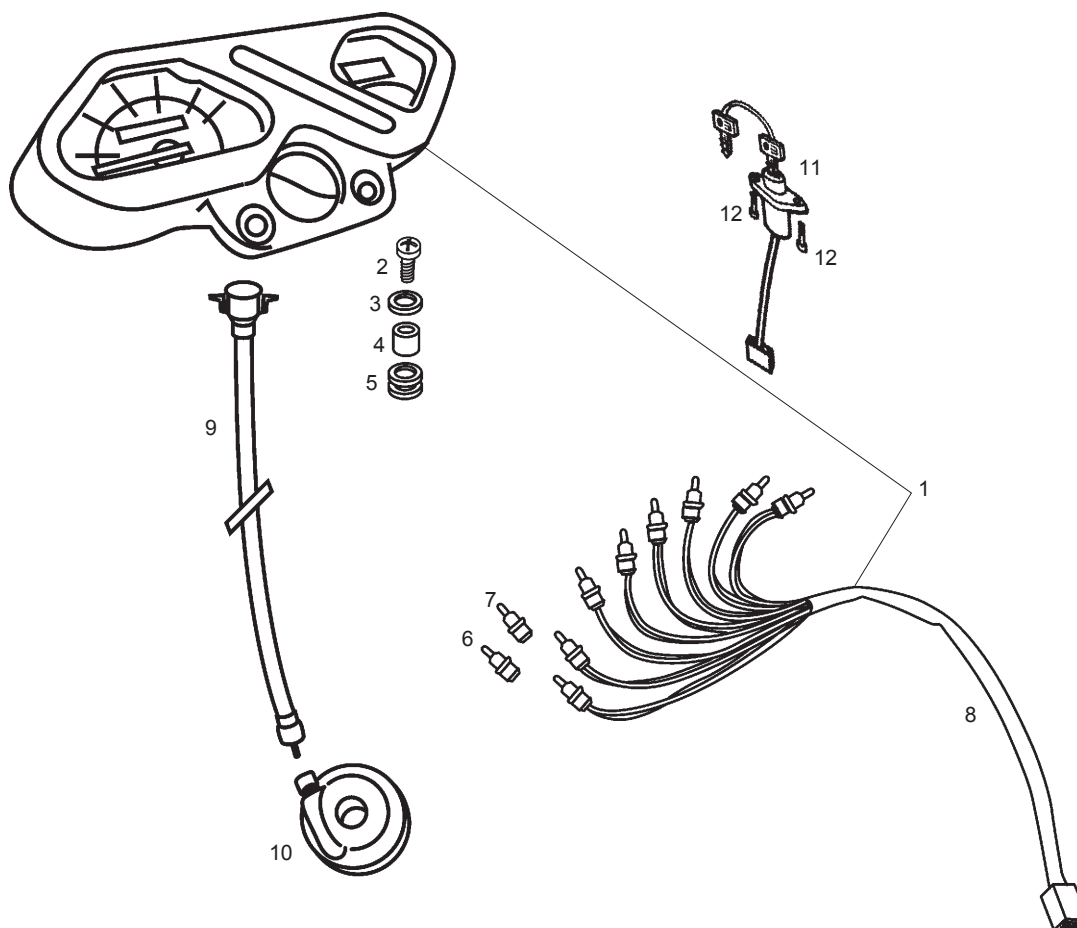


Fig.	Ver.	COD. KOD.	DESCRIPCIÓN DENOMINAZIONE NAME	BEZEICHNUNG DESIGNATION	MOD.	NOTAS NOTES NOTA MITSCHRIFT NOTES
01A		00H01610521	CTO.TABL.PORTAIST. (KM/H) CRUSCOTTO (KM/H) DASH ASSY (KM/H)	INSTRUMENTERHALTER (KM/H) BOITIER TABLEAU BORD (KM/H)	1 2 3	
01B		00H01612521	CTO.TABL.PORTAIST. (KM/H) CRUSCOTTO (KM/H) DASH ASSY (KM/H)	INSTRUMENTERHALTER (KM/H) BOITIER TABLEAU BORD (KM/H)	1 2 3 4 5 6	
01C		00H01616521	CTO.TABL.PORTAIST. (KM/H) CRUSCOTTO (KM/H) DASH ASSY (KM/H)	INSTRUMENTERHALTER (KM/H) BOITIER TABLEAU BORD (KM/H)	7 8 9 A B C	
01D		00H01614521	CTO.TABL.PORTAIST. (MILE/H) CRUSCOTTO (MILE/H) DASH ASSY (MILE/H)	INSTRUMENTERHALTER (MILE/H) BOITIER TABLEAU BORD (MILE/H)	3 6	ENGLAND
01E		00H01618521	CTO.TABL.PORTAIST. (MILE/H) CRUSCOTTO (MILE/H) DASH ASSY (MILE/H)	INSTRUMENTERHALTER (MILE/H) BOITIER TABLEAU BORD (MILE/H)	8	ENGLAND
02A		00012152000	TOR.C/RED.CRUIZ 5M80X20 D7985NE VITE TONDQ.CROCE 5M80X20.D7985 SCREW, 5M80X520 DIN7985	SCHRAUBE VIS CRUCIFORME5M80X20DIN798	1 2 3 4 5 6 7 8 9 A B C	
03A		00000031050	ARAND.PLANA MEC.D5 RONDELLA WASHER	SCHEIBE RONDELLE	1 2 3 4 5 6 7 8 9 A B C	
04A		00H01600911	CASQ. SILENTBLOC FIJ. TABLIER GHIERA SILENT.FISS.CRUSCOT.FE BUSHING	FUHRUNGSBUCHSE GABELSCHENK ENTRETOISE	1 2 3 4 5 6 7 8 9 A B C	
05A		00D01500021	PASACABL. INST.GUARD.TR.FDS/89 PORTACAVI IST. FARAFANGO POST. GROMMET	GUMMI CAOUTCHOUC PASSE-CABLE	1 2 3 4 5 6 7 8 9 A B C	
06A		00G01602581	R-CTO. PORTALAMP/LAMP. 12V 1,2 W PORTALAMPADE BULB HOLDER AND 12V 1,2W BULB	LAMPENHALTER R-PORTE-LAMPES	1 2 3 4 5 6 7 8 9 A B C	
07A		00G01601581	R-CTO. PORTALAMP/LAMP. 12V 2 W PORTALAMPADE BULB HOLDER AND 12V 2W BULB	LAMPENHALTER R-PORTE-LAMPES	1 2 3 4 5 6 7 8 9 A B C	

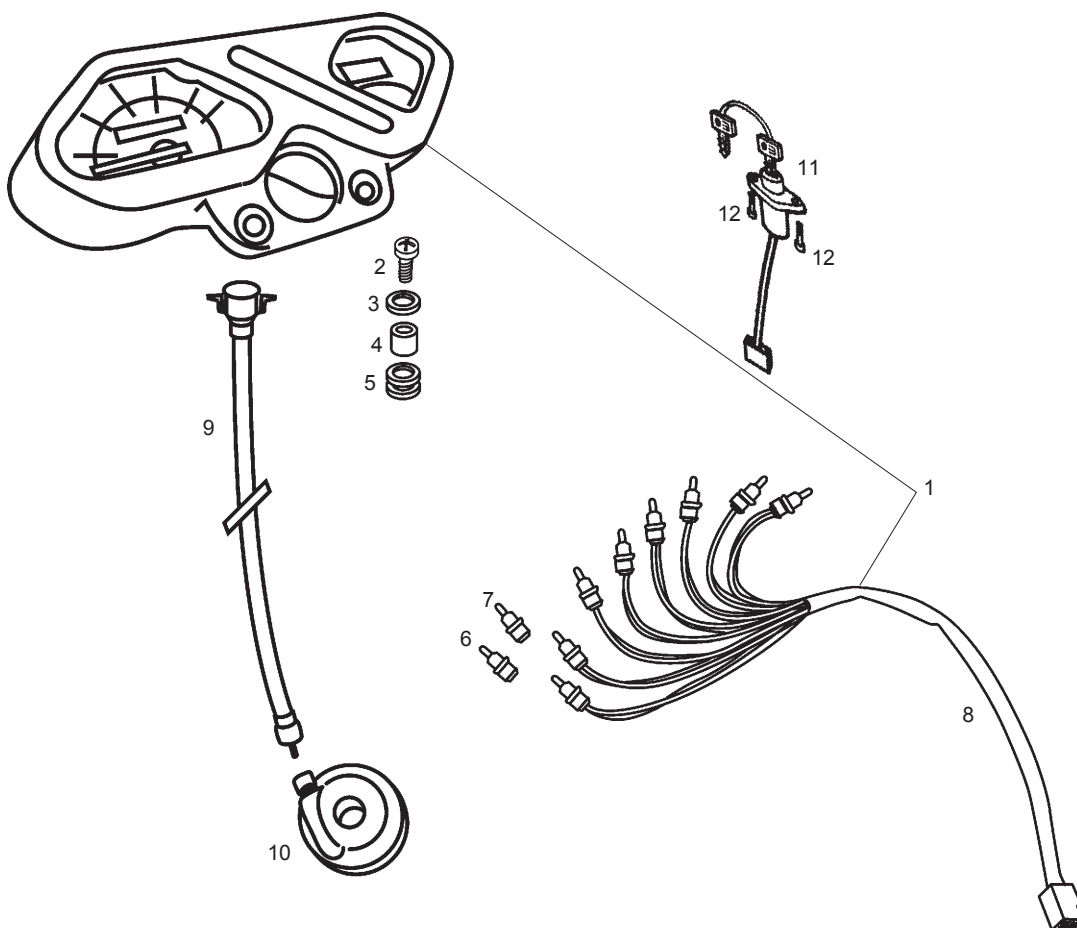


Fig.	Ver.	COD. KOD.	DESCRIPCIÓN DENOMINAZIONE NAME	BEZEICHNUNG DESIGNATION	MOD.	NOTAS NOTES NOTA MITSCHRIFT NOTES
08A		00H04316651	CTO. INSTAL. TABLIER COMP.INSTALL.CRUSCOT. DASH INSTALATION ASSY	KABELBAUM FAISCEAU COMPTEUR	1 2 3 4 5 6 7 8 9 A B C	
09A		00H01618021	CTO.CABLE-FUN CTA.KM. CAVO-GUAINA CONTACHI CABLE, SPEEDOMETER DRIVE	TACHOWELLE ENSEMB.CABLE-GAINE COMPTEUR	1 2 3 4 5 6	
09B		00H01619021	CTO.CABLE-FUN CTA.KM. CAVO-GUAINA CONTACHI CABLE, SPEEDOMETER DRIVE	TACHOWELLE ENSEMB.CABLE-GAINE COMPTEUR	7 8 9 A B C	
10A		00H01614051	CTO.REENVIO RINVIO RETURN UNIT.	RETURN UNIT. RENOI DE ROUE	1 2 3 4 5 6 7 8 9 A B C	
11A		00H01610381	CTO. CERRADURA CONTACTO SERRATURE SCHLOSS	ZUNDSCHLOB SERRURE	1 2 3 4 5 6 7 8 9 A B C	
12A		00002082021	TOR. C/ALLEN 8 X 20 VITE TESTA ALLEN 8 X 20 ALLEN HEAD SCREW 8 X 20	INBUSSCHRAUBE VIS T. CREUSE	1 2 3 4 5 6 7 8 9 A B C	

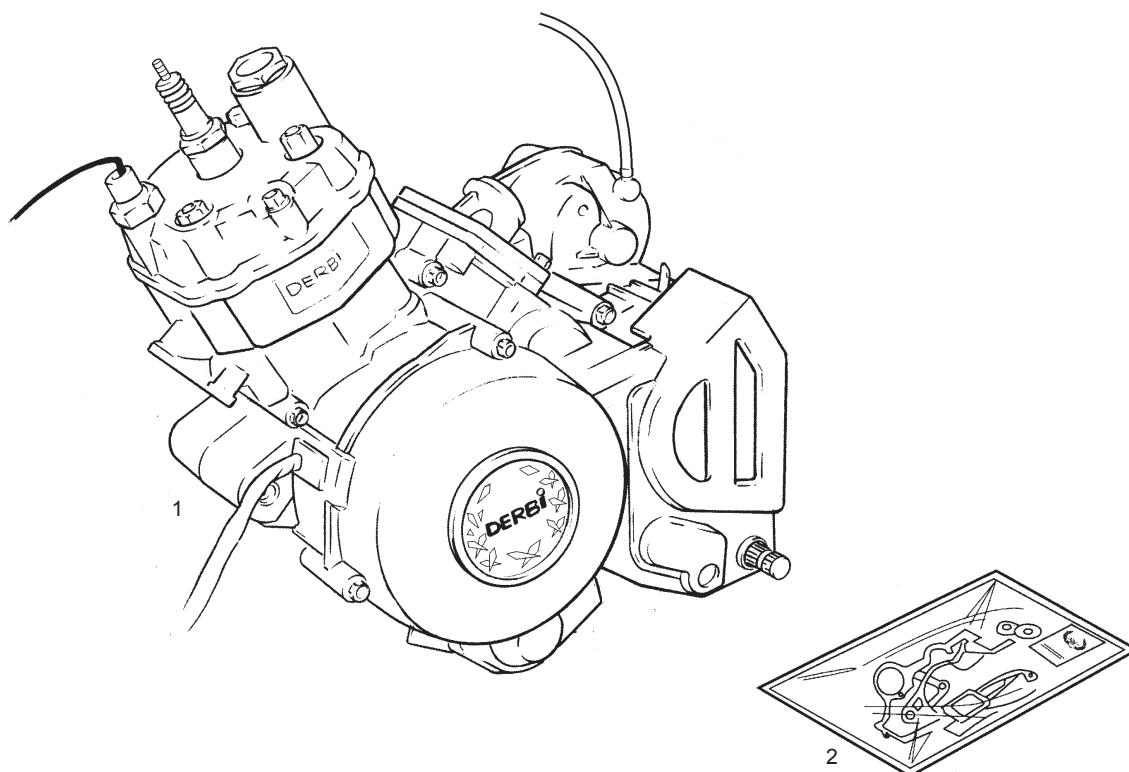


Fig.	Ver.	COD. KOD.	DESCRIPCIÓN DENOMINAZIONE NAME	BEZEICHNUNG DESIGNATION	MOD.	NOTAS NOTES NOTA MITSCHRIFT NOTES
01A		00H99927E003	MOTOR MOTORE ENGINE	MOTOR MOTEUR	1 2	
01B		00H99927U003	MOTOR MOTORE ENGINE	MOTOR MOTEUR	3 4 5 6	
01C		00H99927E301	MOTOR MOTORE ENGINE	MOTOR MOTEUR	7 8 9 A B C	

ACCESORIOS OPCIONALES / ACCESORI OPCIONALE / OPTIONAL ACCESORIES / WERKZEUG / OTILS FOURNIS

02A		00H05205481	R-JUEGO JUNTAS R-GUARNIZIONI GASKET ASSY	DICHTSATZ POCHETTE DE JOINTS	1 2 3 4 5 6 7 8 9 A B C	
-----	--	-------------	--	---------------------------------	-------------------------------	--

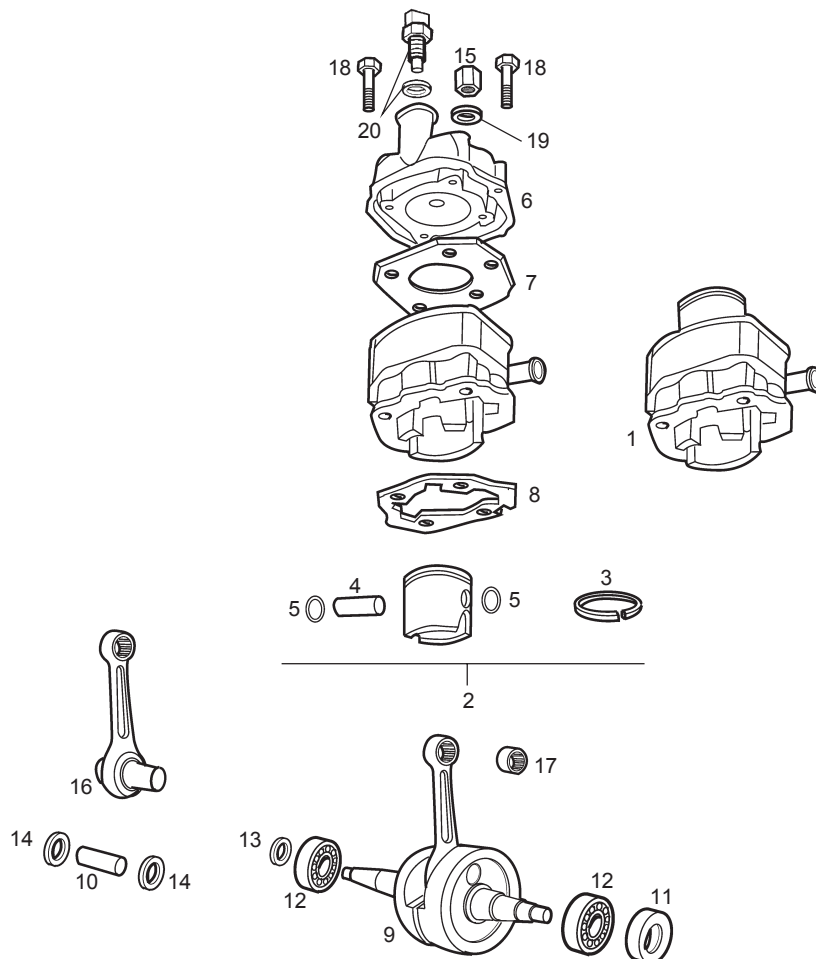


Fig.	Ver.	COD. KOD.	DESCRIPCIÓN DENOMINAZIONE NAME	BEZEICHUNG DESIGNATION	MOD.	NOTAS NOTES NOTA MITSCHRIFT NOTES
01A		00H05007123	R-CTO.CILIN.-PISTON COMP.CILINDRO PISTONE CYLINDER PISTON ASSEMBLY	ZYLINDER UND KOLBEN CYLINDRE ET PISTON COMPLET	1 2 3 4 5 6 7 8 9 A B C	
02A		00H02542091	CTO.PISTON (A) PISTONE (A) PISTON (A)	KOLBEN KOMPL (A) PISTON-COMPLET (A)	1 2 3 4 5 6 7 8 9 A B C	
02B		00H02552091	CTO.PISTON (B) PISTONE (B) PISTON (B)	KOLBEN KOMPL (B) PISTON-COMPLET (B)	1 2 3 4 5 6 7 8 9 A B C	
02C		00H02562091	CTO.PISTON (C) PISTONE (C) PISTON (C)	KOLBEN KOMPL (C) PISTON-COMPLET (C)	1 2 3 4 5 6 7 8 9 A B C	
02D		00H02572091	CTO.PISTON (D) PISTONE (D) PISTON (D)	KOLBEN KOMPL (D) PISTON-COMPLET (D)	1 2 3 4 5 6 7 8 9 A B C	
03A		00H02502111	R-ARO PISTON.SENDA (ASSO) R-SEGMENTO PISTONE PISTON RING	KOLBENDICHTRING SEGMENT DE PISTON	1 2 3 4 5 6 7 8 9 A B C	
04A		00H02502121	R-BULON PISTON.6V (ASSO) SPINOTTO PISTONE PISTON PIN	KOLBENBOLZEN AXE PISTON	1 2 3 4 5 6 7 8 9 A B C	
05A		00H02501131	R-ANILLO BULON.6V (ASSO) R-SEGMENTO SPINOTTO D73130PN1 CIRCLIP, PISTON PIN	SICHERUNGSRING CLIPS AXE PISTON	1 2 3 4 5 6 7 8 9 A B C	
06A		00H02512013	CULATA TESTATA CYLINDER HEAD	ZYLINDERKOPF CULASSE	1 2 3 4 5 6 7 8 9 A B C	
07A		00H02505021	JUNTA CULATA. GUARNIZIONE TESTATA GASKET CYLINDER HEAD	ZYLINDERKOPFDICHTUNG JOINT DE CULASSE	1 2 3 4 5 6 7 8 9 A B C	

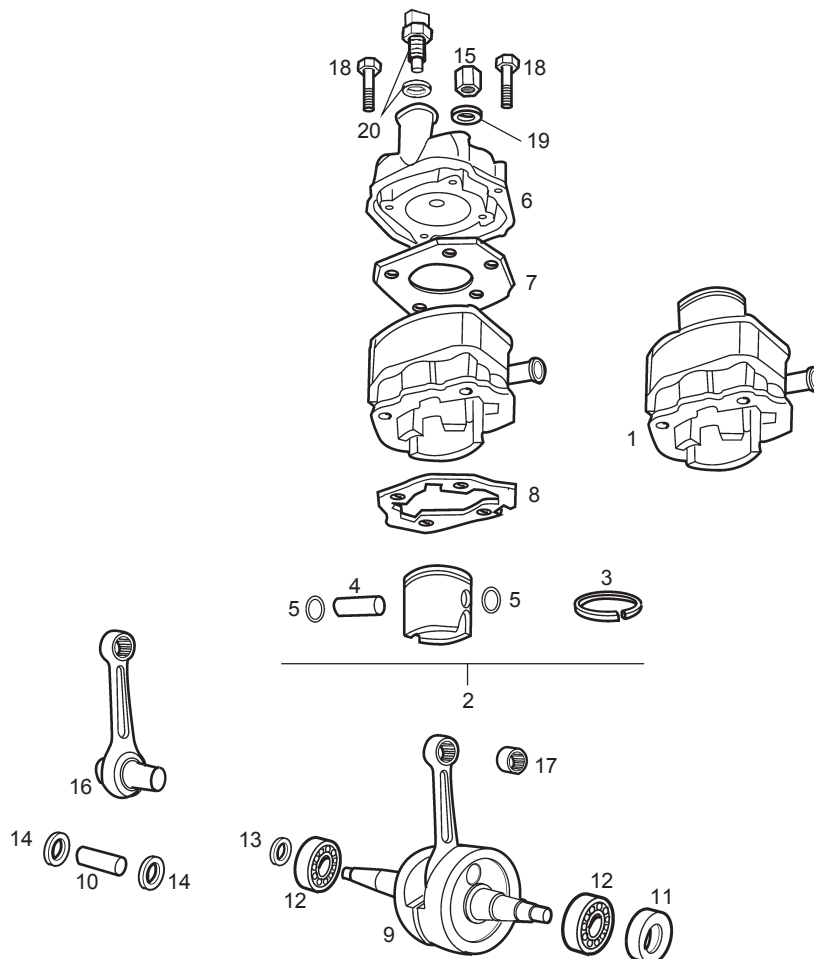


Fig.	Ver.	COD. KOD.	DESCRIPCIÓN DENOMINAZIONE NAME	BEZEICHNUNG DESIGNATION	MOD.	NOTAS NOTES NOTA MITSCHRIFT NOTES
08A		00H02500041	JUNTA CILINDRO. GUARNIZIONE CILINDRO GASKET, CYLINDER	ZYLINDERPUBDICHTUNG JOINT DE CYLINDRE	1 2 3 4 5 6 7 8 9 A B C	
09A		00H02506141	CTO.CIGÑ.-BIELA. 2000 ALBERO GOMITO-BIELLA CRANK SHAFT ROD.	KURBELWELLE VILEBREQUIN COMPLET	1 2 3 4 5 6 7 8 9 A B C	
10A		00002025190	EJE CUELLO CIGÑAL.16.4-6V. ASSE COLLO ALBERO GOMITO 16.4- CRANKSHAFT PIN	PLEUEL BOLZEN AXE DE VILLEBREQUIN	1 2 3 4 5 6 7 8 9 A B C	
11A		00H02500301	RETEN CIGÑAL.DCH.20.35.7. GIUNTO TENUTA ALBERO GOMITO DE SEAL, CRANKSHAFT	KURBELWELLEN DICHTRING REC JOINT SPI VILO D.	1 2 3 4 5 6 7 8 9 A B C	
12A		00059220400	COJINETE 6204 PX2 V4 CUSCINETTO 6204 PX2 V4 BEARING	LAGER 6055 25.47.12 2RS COUSSINET 6005 25-47-12 2RS	1 2 3 4 5 6 7 8 9 A B C	
13A		00E02500231	RETEN CIGUENAL SCOO.74.20.35.7 GIUNTO TENUTA ALBERO GOMITO SC SEAL, OUTPUT SHAFT	SIMMERRING JOINT SPI VILO G.20X35X7	1 2 3 4 5 6 7 8 9 A B C	
14A		00002225220	ARAND.REG.CAB.BIELA.74CC.CROSS RONDELLA REGOLAZIONE TESTA BIE THRUST WASHER	SCHEIBE RONDELLE TETE DE BIELLE	1 2 3 4 5 6 7 8 9 A B C	
15A		00008202730	TCA.FIJ.MANILL.-CULATA.VARIANT DADO FISSAGGIO .MANUBRIO-TESTA HANDLEBAR LOCK NUT	MUTTER ECROU DE FIXATION DU GUIDON	1 2 3 4 5 6 7 8 9 A B C	
16A		00H05001011	R-CTO.BIELA. R-BIELLA CONNECTING ROD W/BEARING AND P	PLEUEL BIELLE AVEC CAGE ET AXE	1 2 3 4 5 6 7 8 9 A B C	
17A		00002125170	JAULA PIE BIELA.KBK-12.15.15. GABBIA PIEDE BIELLA KBK12.15.1 BEARING, PISTON PIN	NADELLAGER CAGE A AIGUILLE DE PIED DE	1 2 3 4 5 6 7 8 9 A B C	

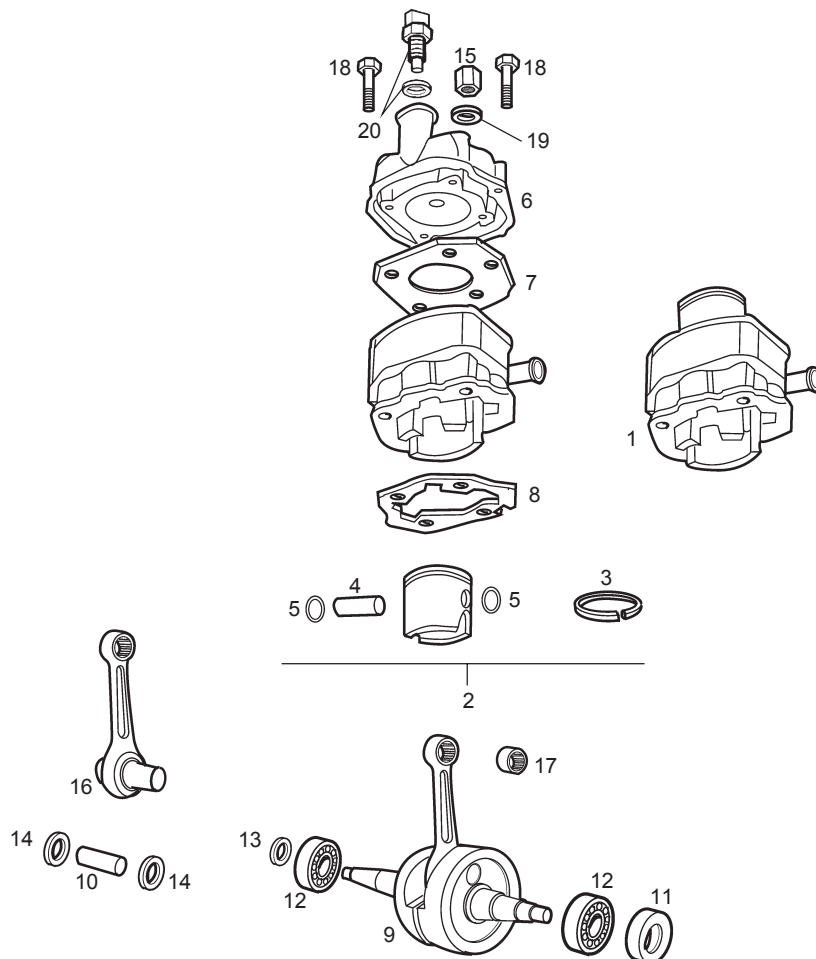


Fig.	Ver.	COD. KOD.	DESCRIPCIÓN DENOMINAZIONE NAME	BEZEICHNUNG DESIGNATION	MOD.	NOTAS NOTES NOTA MITSCHRIFT NOTES
18A		00G03001091	TOR.FIJ.CARTERS.(6X35) VITE FISSAGGIO CARTER (6X35) CRANKCASE SECURING SCREW	BEF.-SCHRAUBE MOTORGEHAUSE BOULON SERRAGE CARTERS	1 2 3 4 5 6 7 8 9 A B C	
19A		00003125280	ARAND.FIJ.CULATA. RONDELLA FISSAGGIO TESTATA SECURING WASHER, CYLINDER HEAD	SCHEIBE ZYLINDERKOPF RONDELLE DE FIXATION DE LA	1 2 3 4 5 6 7 8 9 A B C	
20A		00H02303441	TERMOCONTACTO TERMOCONTATTO. CLUTCH PLATE	THERMOKONTAKT TERMOCONTATTO.	1 2 3 4 5 6 7 8 9 A B C	

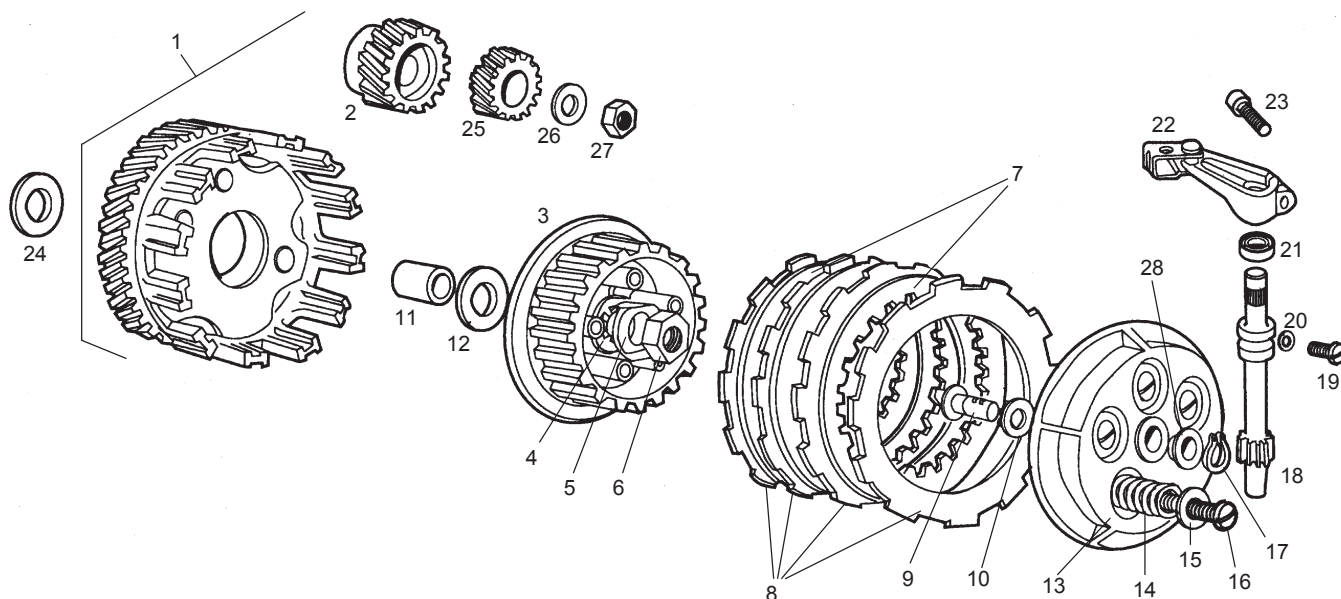


Fig.	Ver.	COD. KOD.	DESCRIPCIÓN DENOMINAZIONE NAME	BEZEICHNUNG DESIGNATION	MOD.	NOTAS NOTES NOTA MITSCHRIFT NOTES
01A		00H03603521	R-CTO.RUEDA AMORT.EMBRAG. R-RUOTA FRIZIONE CLUTCH HOUSING AND DAMPER	KUPPLUNGSRAD CLOCHE EMBRAYAGE AVEC PIGNO	1 2 3 4 5 6 7 8 9 A B C	
02A		00H02601381	PIÑÓN MOTOR.Z-22. PIGNONE MOTORE .Z-22 PRIMAY GEAR Z-22	MOTORRITZEL Z-22 PIGNON PRIMAIRE Z-22	1 2 3 4 5 6 7 8 9 A B C	
03A		00H02600111	CAMPANA CONDUCCIDA.4-6V.A.A. CAMPANA GUIDATA 4-6V.A.A. CLUTCH HUB.	GLOCKE TAMBOUR EMBRAYAGE	1 2 3 4 5 6 7 8 9 A B C	
04A		00H05000281	ARAND.TOPE PIÑÓN INTERMD.74/80 RONDELLA FERMO PIGNONE INTERM. THRUST PLATE	SCHEIBE RONDELLE DE BUTEE	1 2 3 4 5 6 7 8 9 A B C	
05A		00006826230	PRECTO.TCA.EMBRG. PIASTRINA DADO FRIZIONE WASHER, RETAINING	SICHERUNG FREIN DIECROU DIEMBRAYAGE	1 2 3 4 5 6 7 8 9 A B C	
06A		00000326260	TCA.EMBRG.4V.ANT./COPPA. DADO FRIZIONE 4V.ANTERIORE/COP CLUTCH NUT	MUTTER ECROU DIEMBRAYAGE	1 2 3 4 5 6 7 8 9 A B C	
07A		00H02600151	DISCO CONDUCCIDO.74/80CC. DISCO GUIDATO 74/80CC DRIVEN CLUTCH PLATE	SCHEIBE DISQUE EMBRAYAGE LISSE	1 2 3 4 5 6 7 8 9 A B C	
08A		00H02601161	SCTO.DISCO CONDUCTOR.74/80CC. SUBDISCO GUIDA 74/80 CLUTCH PLATE	KUPPLUNGSRELAG DISQUE EMBRAYAGE GARNI	1 2 3 4 5 6 7 8 9 A B C	
09A		00H02600271	CREMALLERA EMPUJE EMBRG.74/80C CREMAGLIERA SPINTA FRIZIONE.74 PUSHING CLUTCH	ZAHNSTANGE CREMAILLETE D,EMBRAYAGE	1 2 3 4 5 6 7 8 9 A B C	
10A		00H02600551	RODAMTO.AXIAL CREMALL.EMBRG. CUSCINETTO SFERE RADIALE CREMA BALL BEARING	LAGER ROULEMENT AXIAL	1 2 3 4 5 6 7 8 9 A B C	
11A		00H02601011	CASQ.BUJE EMBRAGUE. GHIERA BRONZINA FRIZIONE BUSHING	FUHRUNGSBUCHSE GABELSCHENK ENTRETOISE	1 2 3 4 5 6 7 8 9 A B C	

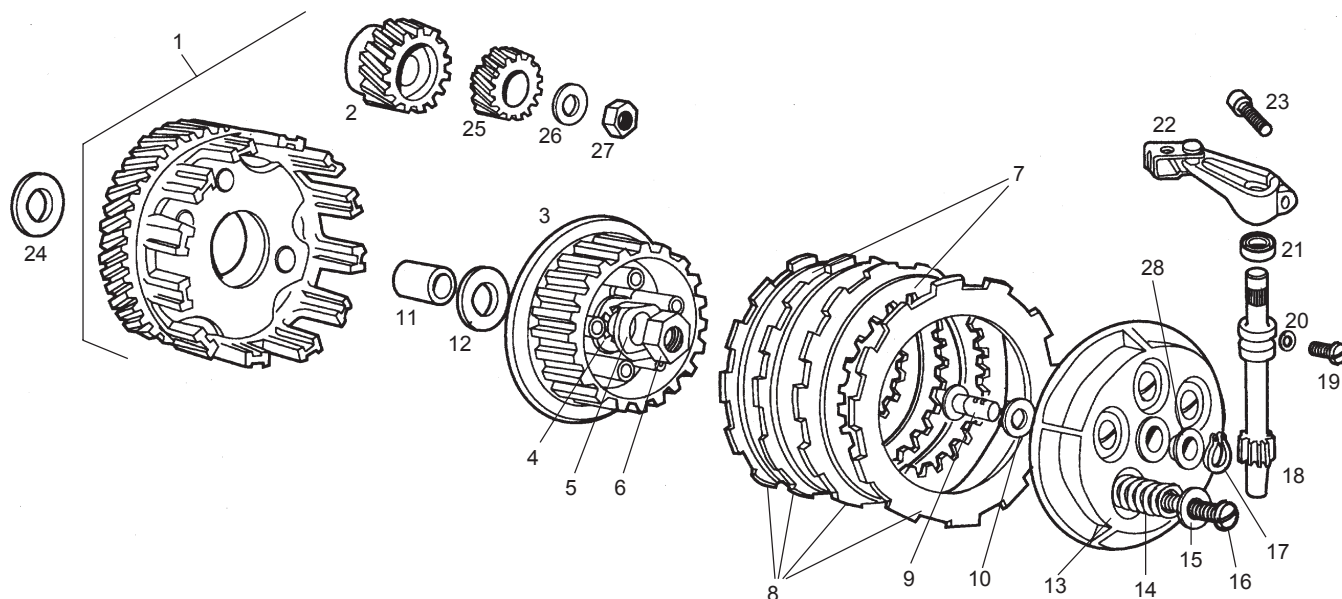


Fig.	Ver.	COD. KOD.	DESCRIPCIÓN DENOMINAZIONE NAME	BEZEICHUNG DESIGNATION	MOD.	NOTAS NOTES NOTA MITSCHRIFT NOTES
12A		00D02600552	ARAND.ROZAMTO.CAMPANA. RONDELLA ATTRITO CAMPANA WASHER, SPLINED	SCHEIBE RONDELLE ETOILEE	1 2 3 4 5 6 7 8 9 A B C	
13A		00H02600181	TAPA CIERRE EMBRAG.6V.74-80CC. COPERCHIO CHIUSURA FRIZIONE G. OUTER CLUTCH PLATE	KUPPLINGS-VERSCHLUSSDECKEL PLATEAU EXTERIEUR D,EMBRAYA	1 2 3 4 5 6 7 8 9 A B C	
14A		00H02600211	MUELLE REGULAC.EMBRAGUE.74/80C MOLLA REGOLAZIONE FRIZIONE 74/ CLUTCH SPRING	STELLFEDER RESORT REGLAGE	1 2 3 4 5 6 7 8 9 A B C	
15A		00D02600631	ARAND.TOPE MUELLE EMBRG.4-6V. RONDELLA FERMO MOLLA FRIZIONE CLUTCH SPRING STOP WASHER	SCHEIBE ROND.BUTEE RESSORT EMBRAYA.	1 2 3 4 5 6 7 8 9 A B C	
16A		00012053500	TOR.C/RED.CRUZ.5M80X35.DIN7985 VITE TONDO CROCE.5M80X35.DIN79 SCREW M5X35	SCHRAUBE VIS 5M80X35	1 2 3 4 5 6 7 8 9 A B C	
17A		00000047110	ANILLO SEG.EJES D10.DIN-471. ANELLO SICUREZZA ASSI D10 D-47 CIRCLIP, BRAKE SHOE RETENTION	SEEGERRING CIRCLIP POUR AXE D10	1 2 3 4 5 6 7 8 9 A B C	
18A		00H02610311	EJE DESEMBRAGUE.74CC. ASSE DISINNESCO FRIZIONE 74CC CLUTCH SHAFT	KUPPLUNGSACHSE AXE	1 2 3 4 5 6 7 8 9 A B C	
19A		00H02600342	TOR.FIJ.EJE DESEMB.74/80CC. VITE FISSAGGIO DISINNESCO FRIZ SHAFT FIXING BOLT	BEF.-SCHRAUBE VIS	1 2 3 4 5 6 7 8 9 A B C	
20A		00H03800441	ARAND.TOR.VACIADO AGUA 74/80CC RONDELLA VITE SVUOTAMENTO ACQU WASHER	SCHEIBE RONDELLE	1 2 3 4 5 6 7 8 9 A B C	
21A		00002027280	RET.EJE MANDO SELEC.12.20.5.SD RICHIAMO ASSE COMANDO SELETTOR OIL SEAL, SELECTOR SHAFT	SIMMERRING JOINT ANTI-FUIITE	1 2 3 4 5 6 7 8 9 A B C	
22A		00H02600322	SCTO.PALANCA DESEMBRG. SUBLEVA DISINNESCO F CLUTCH LEVER	KUPPLUNGSHEBEL LEVIER EMBRAYAGE	1 2 3 4 5 6 7 8 9 A B C	

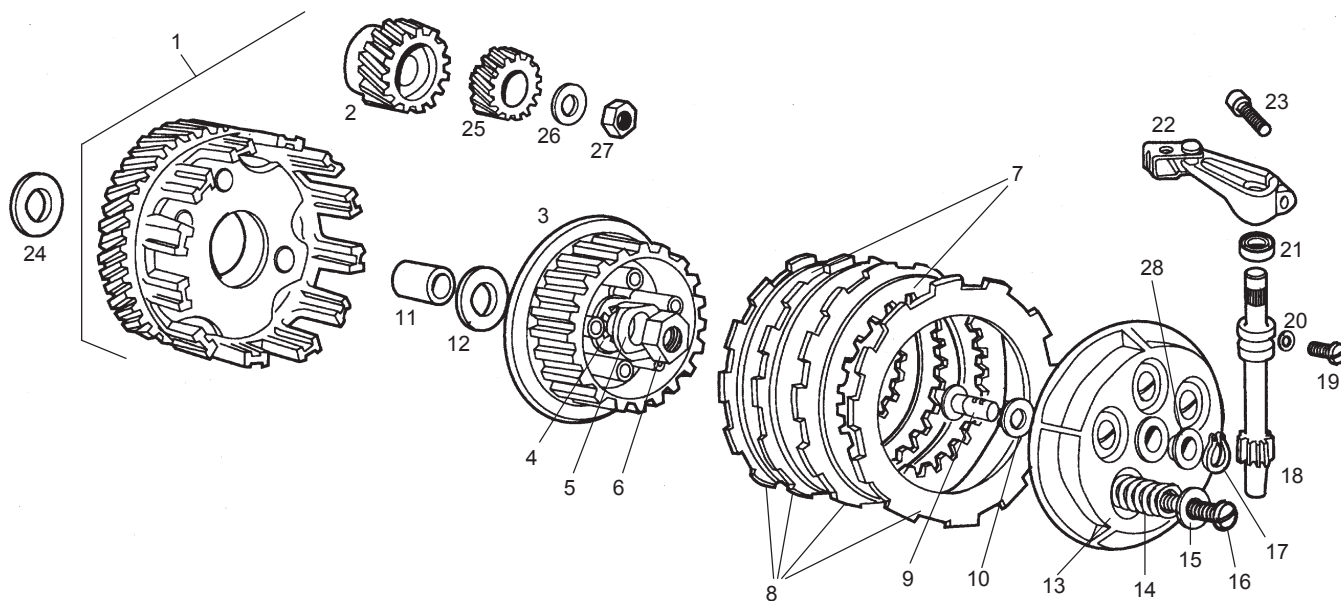


Fig.	Ver.	COD. KOD.	DESCRIPCIÓN DENOMINAZIONE NAME	BEZEICHNUNG DESIGNATION	MOD.	NOTAS NOTES NOTA MITSCHRIFT NOTES
23A		00052062011	TOR. 6M100X20 D.7380 VITE TESTA ALLEN 6M100X20 HEX.SOCKET-HEAD SCREW6M100X20	INBUSSCHRAUBE VIS T. CREUSE	1 2 3 4 5 6 7 8 9 A B C	
24A		00002026020	ARAND.PROTEC.INT.BUJE EMBRAG. RONDELLA PROTEZIONE INTERNA BR WASHER, CLUTCH HUB	SCHEIBE RONDELLE ENTRETOISE	1 2 3 4 5 6 7 8 9 A B C	
25A		00H03800181	PIÑON MANDO BOMBAS.Z-14.74/80C PIGNONE COMANDO POMPE Z-14.7 PUMP GUIDE GEAR	RITZEL PIGNON	1 2 3 4 5 6 7 8 9 A B C	
26A		00H02600651	ARAND.FIJ.PIÑON MOTOR 74/80CC RONDELLA FISSAGGIO PIGNONE MOT WASHER	SCHEIBE RONDELLE	1 2 3 4 5 6 7 8 9 A B C	
27A		00H02600401	TCA.FIJ.PIÑON MOTOR.74CC.A.A. DADO FISSAGGIO PIGNONE MOTORE NUT CRANKSHAFT	MUTTER ECROU	1 2 3 4 5 6 7 8 9 A B C	
28A		00H05000281	ARAND.TOPE PIÑON INTERMD.74/80 RONDELLA FERMO PIGNONE INTERM. THRUST PLATE	SCHEIBE RONDELLE DE BUTEE	1 2 3 4 5 6 7 8 9 A B C	

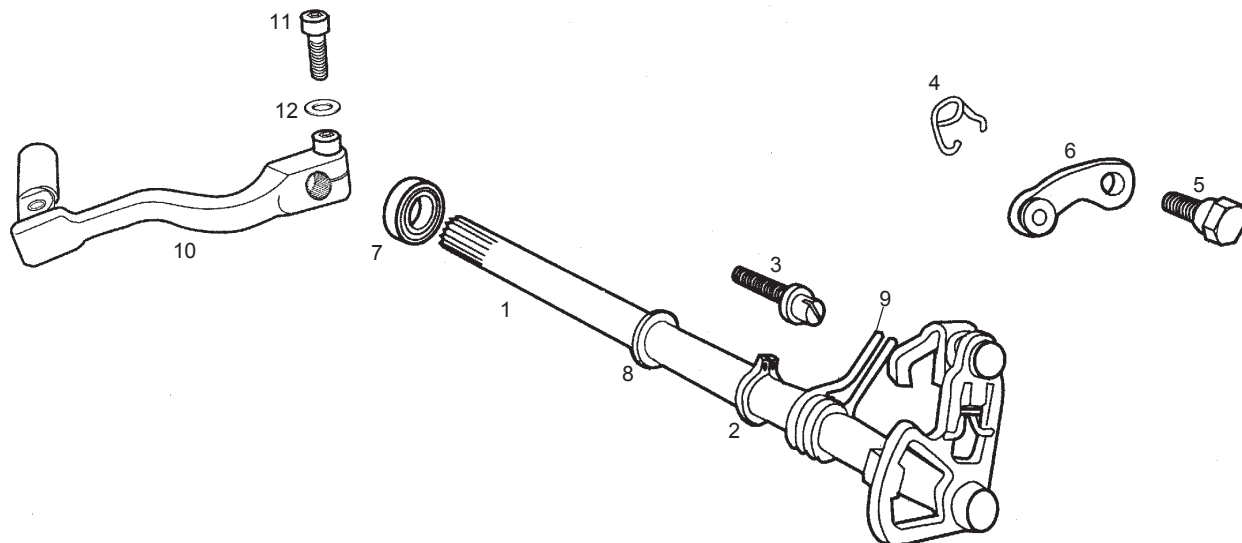


Fig.	Ver.	COD. KOD.	DESCRIPCIÓN DENOMINAZIONE NAME	BEZEICHNUNG DESIGNATION	MOD.	NOTAS NOTES NOTA MITSCHRIFT NOTES
01A		00H02700151	SCTO.EJE SELECTOR.74CC. SUBASSE SELETTORE 74 S-ASSY. SELECTOR SHAFT	SCHALTACHSE S-ENSEMBLE AXE SELECTEUR	1 2 3 4 5 6 7 8 9 A B C	
02A		00047031100	ANIL.S.EJES D12.D6799.111013-2 ANELLO SEPARATORE ASSI D12.D6 CIRCLIP, BRAKE SHOE RETENTION	RING CIRCLIP POUR AXE D12	1 2 3 4 5 6 7 8 9 A B C	
03A		00H02700231	ESPARRG.MUELLE SELEC.74/80CC. BULLONE MOLLA SELETTORE 74/80C SCREW, SELECTOR SPRING ADJ.	FEDERSTIFT AXE EXCENTRIQUE	1 2 3 4 5 6 7 8 9 A B C	
04A		00H02700441	MUELLE FIJ.MARCHAS.74/80CC. MOLLA FISSAGGIO MARCE 74/80CC GEAR FIXING SPARING	BEF.-FEDER RESSORT	1 2 3 4 5 6 7 8 9 A B C	
05A		00H02700451	TOR.GUIA FIJ.MARCHAS 74/80CC. VITE GUIDA FISSAGGIO MARCE 74/ SCREW	INBUSSCHRAUBE MOTOR BEFEST VIS	1 2 3 4 5 6 7 8 9 A B C	
06A		00H02700491	SCTO.PALANCA FIJ.MARCHAS.74CC. SUBLEVA FISSAGGIO MA LEVER FIXING GEARS	GANSCHALTHEEEL LEVIER FIXATION PIGNONS	1 2 3 4 5 6 7 8 9 A B C	
07A		00002027280	RET.EJE MANDO SELEC.12.20.5.SD RICHIAMO ASSE .COMANDO SELETTOR OIL SEAL, SELECTOR SHAFT	SIMMERRING JOINT ANTI-FUITE	1 2 3 4 5 6 7 8 9 A B C	
08A		00002028770	ARAND.SEGURO TAMBOR COPPA RONDELLA ASSICURAZIONE TAMBUR WASHER	SCHEIBE RONDELLE	1 2 3 4 5 6 7 8 9 A B C	
09A		00H02700251	MUELLE SELECTOR.74/80CC. MOLLA SELETTORE 74/80CC SPRING, SELECTOR	FEDER RESSORT	1 2 3 4 5 6 7 8 9 A B C	
10A		00H02703421	CTO.PALANCA CAMBIO ÉLEVA CAMBIO GEARSHIFT ASSY.	GRUPPE GANGSCHALTHEBEL PEDALE DE SELECTEUR	1 2 3 4 5 6 7 8 9 A B C	

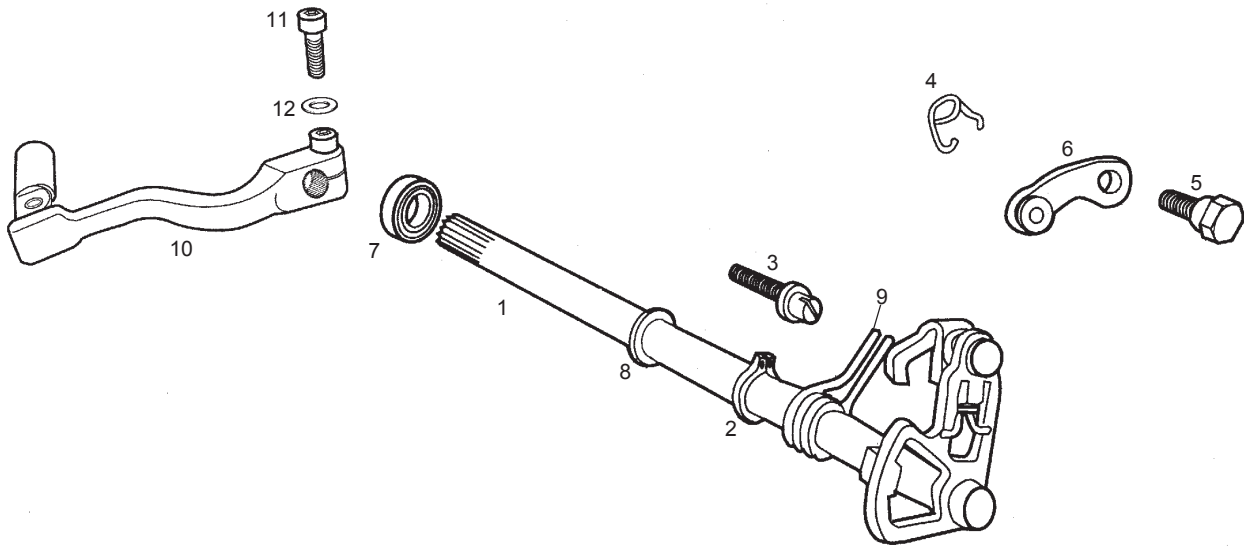


Fig.	Ver.	COD. KOD.	DESCRIPCIÓN DENOMINAZIONE NAME	BEZEICHNUNG DESIGNATION	MOD.	NOTAS NOTES NOTA MITSCHRIFT NOTES
11A		00002062511	TOR.C/ALLEN 6M100X25 D-912 VITE TESTA ALLEN 6M100X25 HEX.SOCKET-HEAD SCREW 6M100X25	INBUSSCHRAUBE VIS T. CREUSE	1 2 3 4 5 6 7 8 9 A B C	
12A		00442060002	ARAND.MUELLE D.6 RONDELLA MOLLA D.6 SPRING WASHER D6	FEDERRING D.6.DIN-127-B RONDELLE A RESSORT D6	1 2 3 4 5 6 7 8 9 A B C	

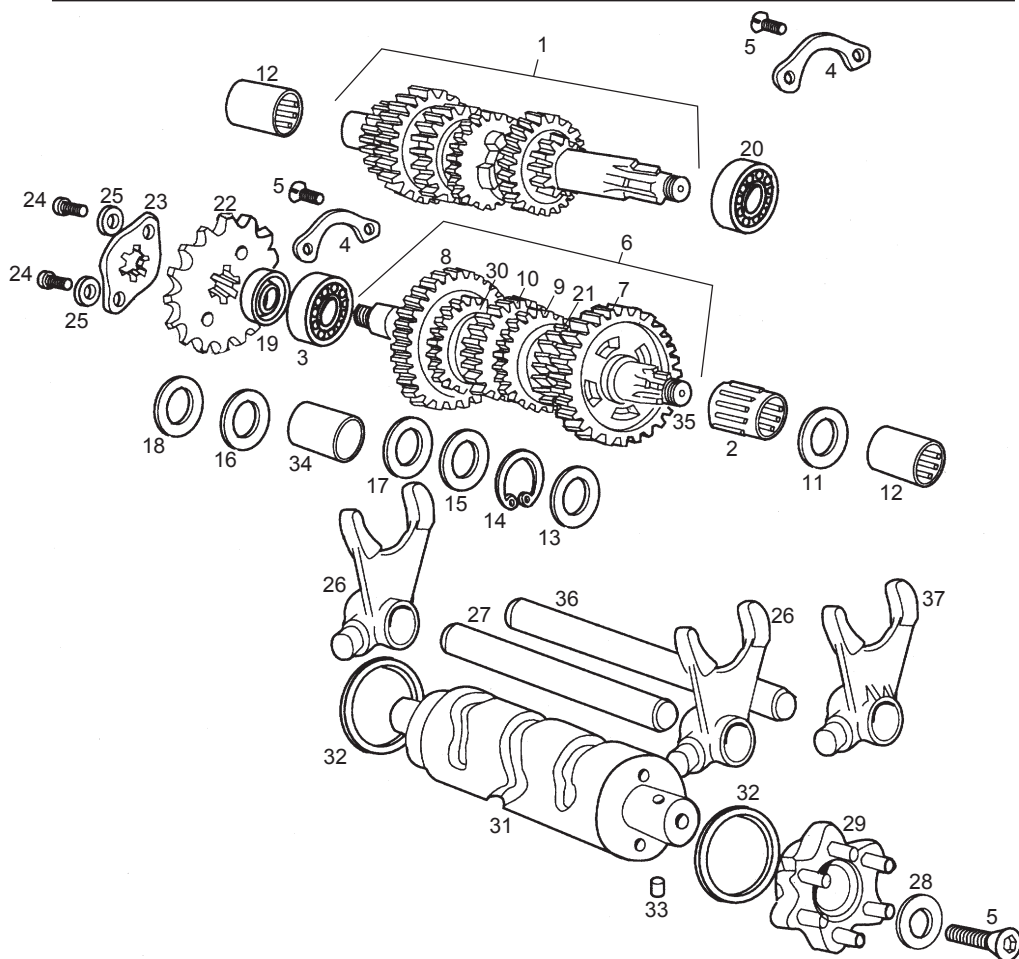


Fig.	Ver.	COD. KOD.	DESCRIPCIÓN DENOMINAZIONE NAME	BEZEICHUNG DESIGNATION	MOD.	NOTAS NOTES NOTA MITSCHRIFT NOTES
01A		00H02801291	SCTO.EJE PRIMARIO.AGUA. SUBASSE PRIMARIO SEN DRIVE SHAFT.	PRIMARCHSE AXE PRIMAIRE	1 2 3 4 5 6 7 8 9 A B C	
02A		00D02820101	CORONA AGUJ.PIÑ.2-1A.K14X18X8F CORONA RULLINI PIGNONE .2-1A.K NEEDLE BEARING	BADELLGER ROULEMENT AIGUILLES	1 2 3 4 5 6 7 8 9 A B C	
03A		00057120300	COJINETE 6203-C4.17.40.12 R1.5 CUSCINETTO 6203-C4.17.40.12. BEARING	LAGER 6055 25.47.12 2RS COUSSINET 6005 25-47-12 2RS	1 2 3 4 5 6 7 8 9 A B C	
04A		00H02800901	PREC.COJINETE EJE PRIM.80CC. PIASTRINA CUSCINETTO ASSE PRIM PLATE POSITION BALL BEARINGS	KUGELLEGERPRIMDRACHSE BUTEE DE ROULEMENT	1 2 3 4 5 6 7 8 9 A B C	
05A		00000013510	TOR.AV.ALL.5M80X10 VITE TESTA SVASATA ALLEN 5M80 ALLEN COUN.HEA SCR.5M80X10	SCHRAUBE VIS TETE FENDEU ALLEN5M80X1	1 2 3 4 5 6 7 8 9 A B C	
06A		00H02805131	CTO.EJE SECUNDARIO.6V ASSE SECONDARIO SEND OUTPUT SHAFT	SEKUNDRACHSE AXE SECONDAIRE MONTE COMPLE	1 2 3 4 5 6 7 8 9 A B C	
07A		00H02820211	PIÑON SEC.I.Z-34.BI-3. PIGNONE SECONDARIO .I.Z-34.BI- OUTPUT GEAR 1ST	RITZEL SEKUNDRACHSE I PIGNON SECONDAIRE I	1 2 3 4 5 6 7 8 9 A B C	
08A		00H02801221	PIÑON SECUND.II.Z-30 PIGNONE SECONDARIO II.Z-30 SEN SECONDARY GEAR	RITZEL SEKUNDRACHSE II PIGNON SECONDAIRE II	1 2 3 4 5 6 7 8 9 A B C	
09A		00H02810231	PIÑON SECUND.III.Z-27.6V.74CC. PIGNONE SECONDARIO .III.Z-27.6 OUTPUT GEAR 3RD.	RITZEL SEKUNDRACHSE III PIGNON 3 (ARBRE SEGONDAIRE)	1 2 3 4 5 6 7 8 9 A B C	
10A		00H02801481	PIÑON SECUND.IV.Z-24 PIGNONE SECONDARIO.IV.Z-24 SEN SECONDARY GEAR	RITZEL SEKUNDRACHSE II PIGNON SECONDAIRE II	1 2 3 4 5 6 7 8 9 A B C	
11A		00H02800181	ARAND.REGLAJE EJE SECUNDARIO RONDELLA ATTRITO PIGNONE PRIMA WASHER	SCHEIBE RONDELLE	1 2 3 4 5 6 7 8 9 A B C	

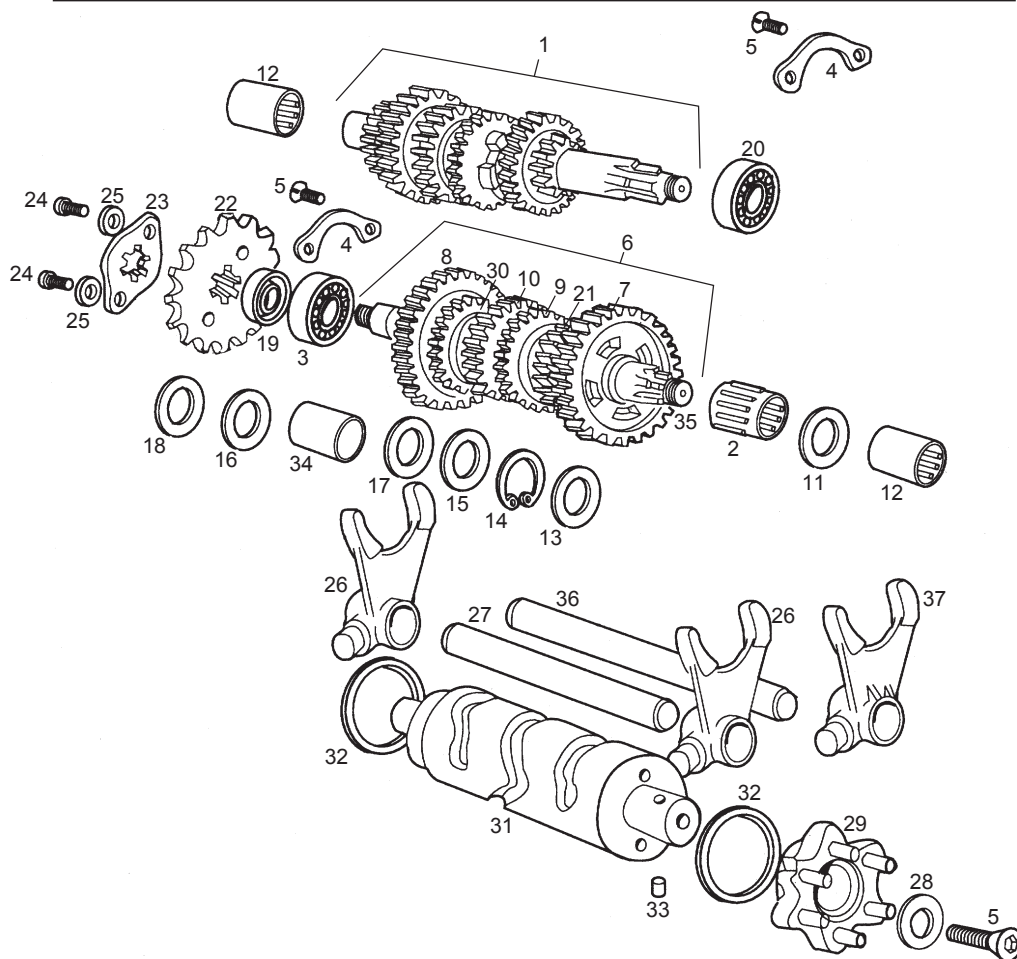


Fig.	Ver.	COD. KOD.	DESCRIPCIÓN DENOMINAZIONE NAME	BEZEICHNUNG DESIGNATION	MOD.	NOTAS NOTES NOTA MITSCHRIFT NOTES
12A		00002028450	CASQ.AGUJAS EJES I-II.HK-1412. GHIERA RULLINI ASSI I-II.HK-1 NEEDLE BEARING, GEAR SHAFTS	NADELLGER CAGE A AIGUILLES	1 2 3 4 5 6 7 8 9 A B C	
13A		00H02800251	ARAND.ROZAMTO.PIÑON SECUND.I RONDELLA ATTRITO PIGNONE SECON WASHER	SCHEIBE RONDELLE	1 2 3 4 5 6 7 8 9 A B C	
14A		00002028550	ANILLO SEG.PIÑONES.D18. ANELLO SICUREZZA PIGNONI D18 CIRCLIP D 18	SICHERUNGSRING JONC DIARBRE	1 2 3 4 5 6 7 8 9 A B C	
15A		00H02800561	ARAND.PIÑS.SECUND.III/IV.A.A. RONDELLA PIGNONI SECONDARIO .I WASHER	SCHEIBE RONDELLE	1 2 3 4 5 6 7 8 9 A B C	
16A		00H02810561	ARAND.ROZMTO.PIÑ.PRIM.V.74/80C RONDELLA ATTRITO PIGNONE PRIMA WASHER.	SCHEIBE JOUE CALAGE PIGNON	1 2 3 4 5 6 7 8 9 A B C	
17A		00H02820561	ARAND.ROZAMT.PIÑON SEC.II.74CC RONDELLA ATTRITO PIGNONE SECON WASHER.	SCHEIBE JOUE CALAGE PIGNON	1 2 3 4 5 6 7 8 9 A B C	
18A		00H02810181	ARAND.COJINT.EJE SECUNDARIO RONDELLA CUSCINETTO ASSE SECON LAYSHAFT BEARING WASHER	SCHEIBE KUGELLAGER RONDELLE	1 2 3 4 5 6 7 8 9 A B C	
19A		00H02800401	RETEN.PIÑON SALIDA CAMB.74/80C GIUNTO TENUTA PIGNONE USCITA C SEAL SSPROCKET	DICHTRING JOINT SPI PIGNON	1 2 3 4 5 6 7 8 9 A B C	
20A		00058020301	COJINETE 6203-C3.17.40.12 CUSCINETTO 6203-C3.17.40.12 BEARING	LAGER 6203- C3 17.40.12 COUSSINET 6203- C3 17.40.12	1 2 3 4 5 6 7 8 9 A B C	
21A		00H02810411	PIÑON SECUND.V.Z-23.6V.74CC. PIGNONE SECONDARIO V.Z-23 OUTPUT GEAR 5TH.	RITZEL SECUNDTRACHSE V PIGNON DE 5 (ARBRE SECONDAI	1 2 3 4 5 6 7 8 9 A B C	
22A		00H02805371	PIÑON SALIDA CAMB.Z-14 PIGNONE USCITA CAMBIO Z-14 GEARBOX OUTPUT PINION Z-14	GANGSCHALTUNGS AUSGANGSRIT Z-14 PIGNON SORTIE CHANGEMENT Z-14	1 2 7 8 9 A B C	

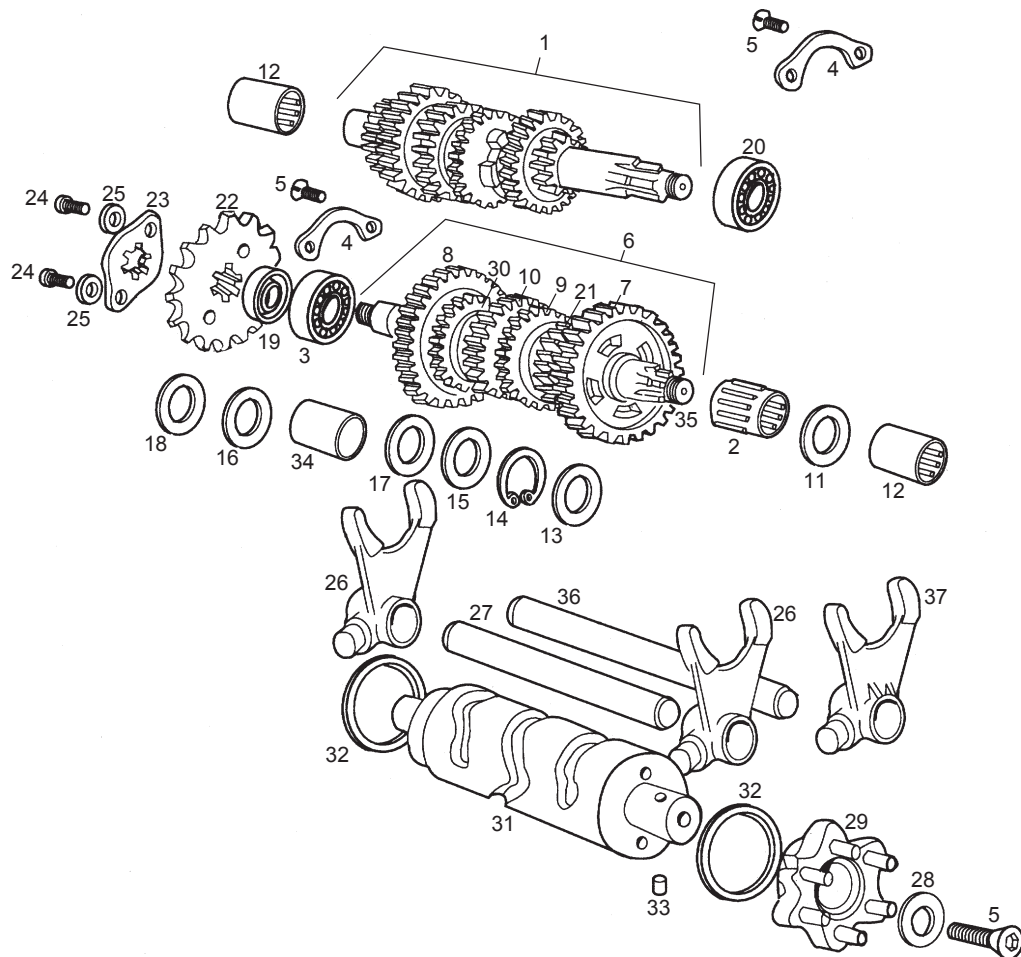


Fig.	Ver.	COD. KOD.	DESCRIPCIÓN DENOMINAZIONE NAME	BEZEICHNUNG DESIGNATION	MOD.	NOTAS NOTES NOTA MITSCHRIFT NOTES
22B		00H02806371	PIÑON SALIDA CAMB.Z-12 PIGNONE USCITA CAMBIO Z-12 GEARBOX OUTPUT PINION Z-12	GANGSCHALTUNGS AUSGANGSRIT Z-12 PIGNON SORTIE CHANGEMENT Z-12	3 6	
22C		00F02804371	PIÑON SALIDA CAMB.Z-13 PIGNONE USCITA CAMBIO Z-13 GEARBOX OUTPUT PINION Z-13	GANGSCHALTUNGS AUSGANGSRIT Z-13 PIGNON SORTIE CHANGEMENT Z-13	4 5	
23A		00H02810421	PREC.PIÑON SALIDA CAMB.50.4V PIASTRINA PIGNONE USCITA CAMBI LOCKWASHER, COUNTERSHAFT SPROK	RITZEL RONDELLE DE SECURITE SBV.	1 2 3 4 5 6 7 8 9 A B C	
24A		00000004510	TOR.C/ALLEN 5M80X10NEGRO VITE TESTA ALLEN 5M80X10 NERO ALLEN SCREW M5X10	INBUSSCHRAUBE 5M80X10 VIS A TETE CREUSE 5M80X10 N	1 2 3 4 5 6 7 8 9 A B C	
25A		00000034050	ARAND.EST. INT.D.5. RONDELLA D5 MACHINED FLAT WASHER D5	SCHEIBE ROND.PLATE MECANISEE D.5.DI	1 2 3 4 5 6 7 8 9 A B C	
26A		00H02820651	HORQ.SECUNDARIA.4-6V. FORCELLA SECONDARIA 4-6V. FORK OUTPUT	SHALTGABEL FOURCHETTE	1 2 3 4 5 6 7 8 9 A B C	
27A		00H06001151	EJE HORQ.SECUNDARIA 74/80CC. ASSE FORCELLA SECONDARIA 74/80 SECONDARY FORK SHAFT	GABEL SEKUNDARACHSE AXE	1 2 3 4 5 6 7 8 9 A B C	
28A		00H02800801	ARAND.PIÑ.CONTR/MAND.TAMBOR RONDELLA PIGNONE CONTROLLO COM SCREW	INBUSSCHRAUBE MOTOR BEFEST VIS	1 2 3 4 5 6 7 8 9 A B C	
29A		00H02810631	CABEZA MANDO TAMBOR.74CC. TESTA COMANDO TAMBURO 74CC. DRUM HEAD	ESTEUERKOPF TETE TAMBOUR SELECTEUR	1 2 3 4 5 6 7 8 9 A B C	
30A		00H02810741	PIÑON SECUND.VI.Z-22.6V.74CC. PIGNONE SECONDARIO VI.Z-22.6V. OUTPUT GEAR 6TH.	RITXEL SEKUNDARACHSE VI PIGNON DE 6 (ARBRE SECONDAI	1 2 3 4 5 6 7 8 9 A B C	
31A		00H02802861	TAMBOR DISTRIBUIDOR TAMBURO DISTRIBUTORE SHIFT DRUM	VERTEILERTROMMEL BARILLET	1 2 3 4 5 6 7 8 9 A B C	

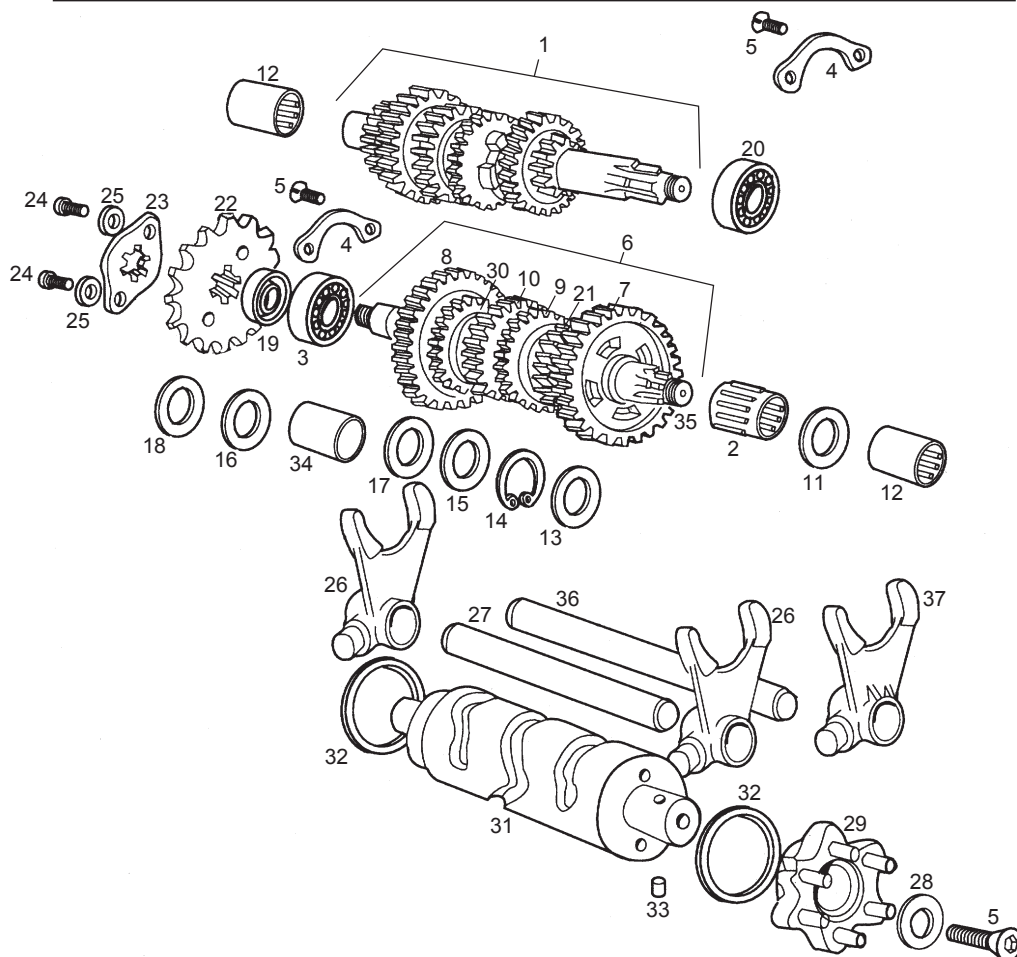


Fig.	Ver.	COD. KOD.	DESCRIPCIÓN DENOMINAZIONE NAME	BEZEICHNUNG DESIGNATION	MOD.	NOTAS NOTES MITSCHRIFT NOTES
32A		00D04000291	ARAND.TAMBOR DISTRIBD.0.5.4/6V RONDELLA TAMBORO DISTRIBUTORE WASHER 0,5 4-6V.	SCHEIBE RONDELLE DE REGLAJE DU TAMB	1 2 3 4 5 6 7 8 9 A B C	
33A		00000066060	RODILLO.4X6. RULLO 4X6 ROLLER 4X6	WALZE FUR SCHA LTUNG GALETS 4X6	1 2 3 4 5 6 7 8 9 A B C	
34A		00H02800241	CASQ.PIÑON SECUND.II.74CC. GHIERA PIGNONE SECONDARIO .II. BUSHING	FUHRUNGSBUCHSE GABELSCHENK ENTRETOISE	1 2 3 4 5 6 7 8 9 A B C	
35A		00H02802161	EJE SECUND.6VI98 ASSE SECONDARIO 6VI98 OUTPUT SHAFT	SEKUNDARACHSE AXE SECONDAIRE MONTE COMPLE	1 2 3 4 5 6 7 8 9 A B C	
36A		00H02800891	EJE HORQ.PRIMARIA.74/80CC. ASSE FORCELLA PRIMARIA 74/80CC PRIMARY FORK SHAFT	GABEL PRIMARACHSE AXE	1 2 3 4 5 6 7 8 9 A B C	
37A		00H02820661	HORQ.PRIMARIA.V-VI.74CC. FORCELLA PRIMARIA V-VI.74CC FORK OUTPUT	SHALTGABEL FOURCHETTE	1 2 3 4 5 6 7 8 9 A B C	

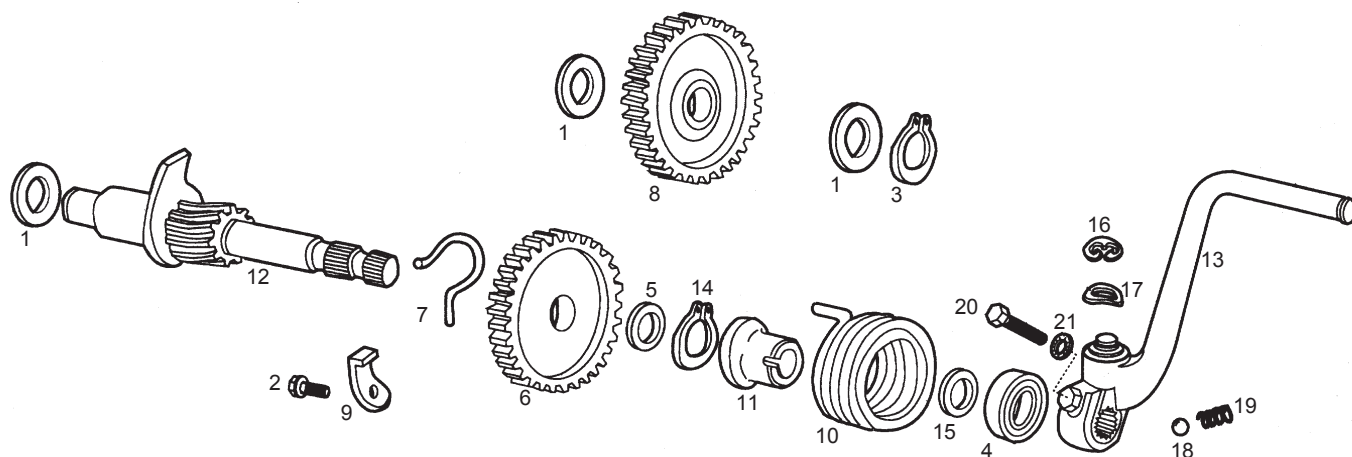


Fig.	Ver.	COD. KOD.	DESCRIPCIÓN DENOMINAZIONE NAME	BEZEICHUNG DESIGNATION	MOD.	NOTAS NOTES NOTA MITSCHRIFT NOTES
01A		00002028770	ARAND.SEGURO TAMBOR COPPA RONDELLA ASSICURAZIONE TAMBUR WASHER	SCHEIBE RONDELLE	1 2 3 4 5 6 7 8 9 A B C	
02A		00H02900761	TOR.FIJ.TOPE ARRQ.6X10 VITE SCREW	INBUSSCHRAUBE MOTOR BEFEST VIS	1 2 3 4 5 6 7 8 9 A B C	
03A		00000047111	ANILLO SEG.EJES D11.DIN-471. ANELLO SICUREZZA ASSI D11.DIN- CIRCLIP, SELECTOR SHAFT	SICHERHEITSPRING CIRCLIPS ARBRE SELECTEUR	1 2 3 4 5 6 7 8 9 A B C	
04A		00D02910131	RETEN EJE ARRANQUE 15-26-5 ANELLO TENUTA AVVIAMENTO 15-26-5 OIL SEAL 15-26-5	SIMMERING JOINT ANTI-FUITE	1 2 3 4 5 6 7 8 9 A B C	
05A		00005529290	ARAND.TOPE PIÑ.ARRQ. RONDELLA FERMO PIGNONE AVVIAME WASHER	SCHEIBE RONDELLE	1 2 3 4 5 6 7 8 9 A B C	
06A		00H02900091	PIÑON ARRANQUE Z-29 PIGNONE AVVIAMENTO Z-29 KICKSTARTER GEAR Z-29	ANLAUFTRITZEL ROUE DE MISE EN MARCHÉ Z-29	1 2 3 4 5 6 7 8 9 A B C	
07A		00H02900281	MUELLE PIÑON ARR. MOLLA PIGNONE AVVIAMENTO SPRING, ENGAGEMENTE REAR	RITZELFEDER RESSORT DE ROUE DE MISE EN	1 2 3 4 5 6 7 8 9 A B C	
08A		00H02901441	PIÑON INTERMED.ARRQ. PIGNONE INTERMEDIO AVVIAMENTO DRIVING GEAR	ANLAUF-ZWISCHENRITZEL ROUE INTERMEDIAIRE	1 2 3 4 5 6 7 8 9 A B C	
09A		00H02901551	REFZO.TOPE ARRQ. RINFORZO FERMO AVVIAMENTO SEND KICKSTARTER LEVER STOP	VERSTARUNG F.ANSCHULAG BUTEE PEDALE DE KICK	1 2 3 4 5 6 7 8 9 A B C	
10A		00H02900041	MUELLE ARRANQUE, MOLLA AVVIAMENTO KICKSTARTER SPRING	ANLAUFFEDER RESSORT DE KICK	1 2 3 4 5 6 7 8 9 A B C	
11A		00H02900271	CAZLTA.GUIA MUELLE ARRQ. SCODELLINO GUIDA MOLLA AVVIAME SPRING GUIDE	FUHRUNGSPFANE RAMPE DE KICK	1 2 3 4 5 6 7 8 9 A B C	

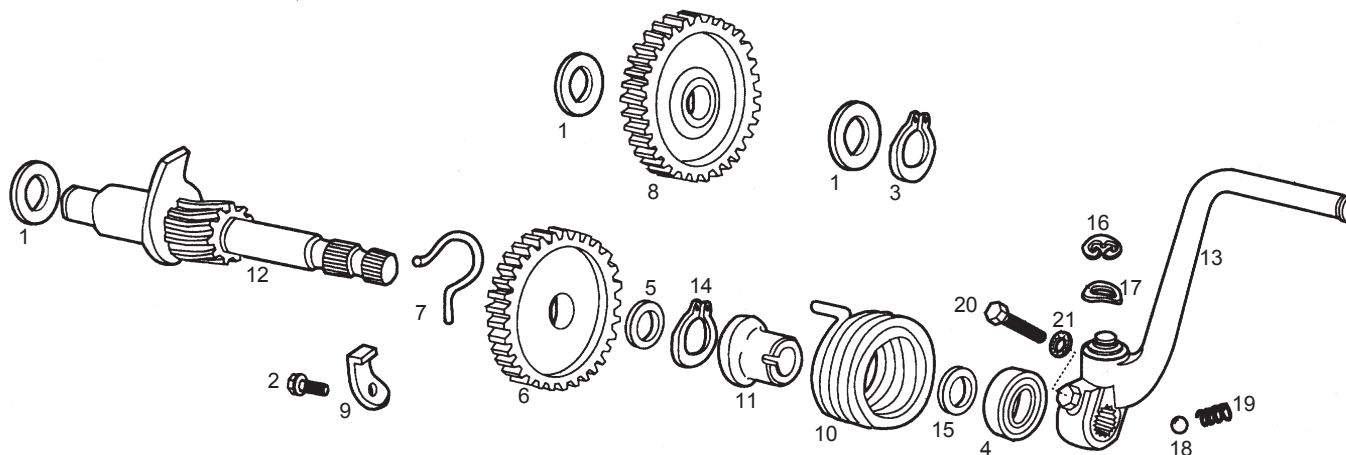


Fig.	Ver.	COD. KOD.	DESCRIPCIÓN DENOMINAZIONE NAME	BEZEICHNUNG DESIGNATION	MOD.	NOTAS NOTES NOTA MITSCHRIFT NOTES
12A		00H02900011	SCTO.EJE ARRANQUE, SUBASSE AVVIAMENTO S KICKSTARTER SHAFT	ANLAUFACHSE ARBRE DE KICK	1 2 3 4 5 6 7 8 9 A B C	
13A		00H02902251	CTO.PALANCA ARRQ.FENIX. LEVA AVVIAMENTO FENI KICKSTARTER LEVER	KICKSTARTER LEVIER DE KICK	1 2 3	
13B		00H02902252	CTO.PALANCA ARRQ.FENIX. LEVA AVVIAMENTO FENI KICKSTARTER LEVER	KICKSTARTER LEVIER DE KICK	4 5 6 7 8 9 A B C	
14A		00000047122	ANILLO SEGEJES D22.DIN-471. RONDELLA SICUREZZA D22.DIN-471 CIRCLIP D22 DIN 471	SICHERHEITSRING ANNEAU SECURITE AXES D22	1 2 3 4 5 6 7 8 9 A B C	
15A		00002029050	ARAND.TOPE ARRQ.4-6V. RONDELLA FERMO AVVIAMENTO 4-6V WASHER	SCHEIBE RONDELLE	1 2 3 4 5 6 7 8 9 A B C	
16A		00047030900	ANILL.SEG/EJ.D9-12 D6799/8 ANELLO SICUREZZA/ASSE D9-12 DI CIRCLIP D9-12 DIN-6799	SICHERHEITSRING ANNEAU SECURITE AXE D.9-12	1 2 3 4 5 6 7 8 9 A B C	
17A		00000036100	ARAND.MUELLE AB.D10,5.DIN137.A RONDELLA MOLLA AB.D10,5.DIN-1 WASHER	SCHEIBE RONDELLE	1 2 3 4 5 6 7 8 9 A B C	
18A		00000061040	BOLA.D.4,76. PALLA D.4,76 BALL, D.4,76	KUGEL D.4,76. BILLE DIAMETRE 4,76.	1 2 3 4 5 6 7 8 9 A B C	
19A		00003127200	MUELLE GATILLOS.ANTORCHA. MOLLA GRILLETTO TORCIA SPRING, DETENT	FEDER RESSORT	1 2 3 4 5 6 7 8 9 A B C	
20A		00004162500	TOR.C/ALLEN.6M100X25.NG VITE TESTA ALLEN 6M100X25 ALLEN SCREW M6X25	INBUSSCHRAUBE 6M100X25.D-9 VIS A TETE ALLEN 6M100X25.	1 2 3 4 5 6 7 8 9 A B C	
21A		00037000600	ARAND. CONICA SEG. D6 4.232004-0 RONDELLA CONICA SICUREZZA D.6 CONICAL WASHER	SCHEIBE RONDELLA CONICA SICUREZZA D.6	1 2 3 4 5 6 7 8 9 A B C	

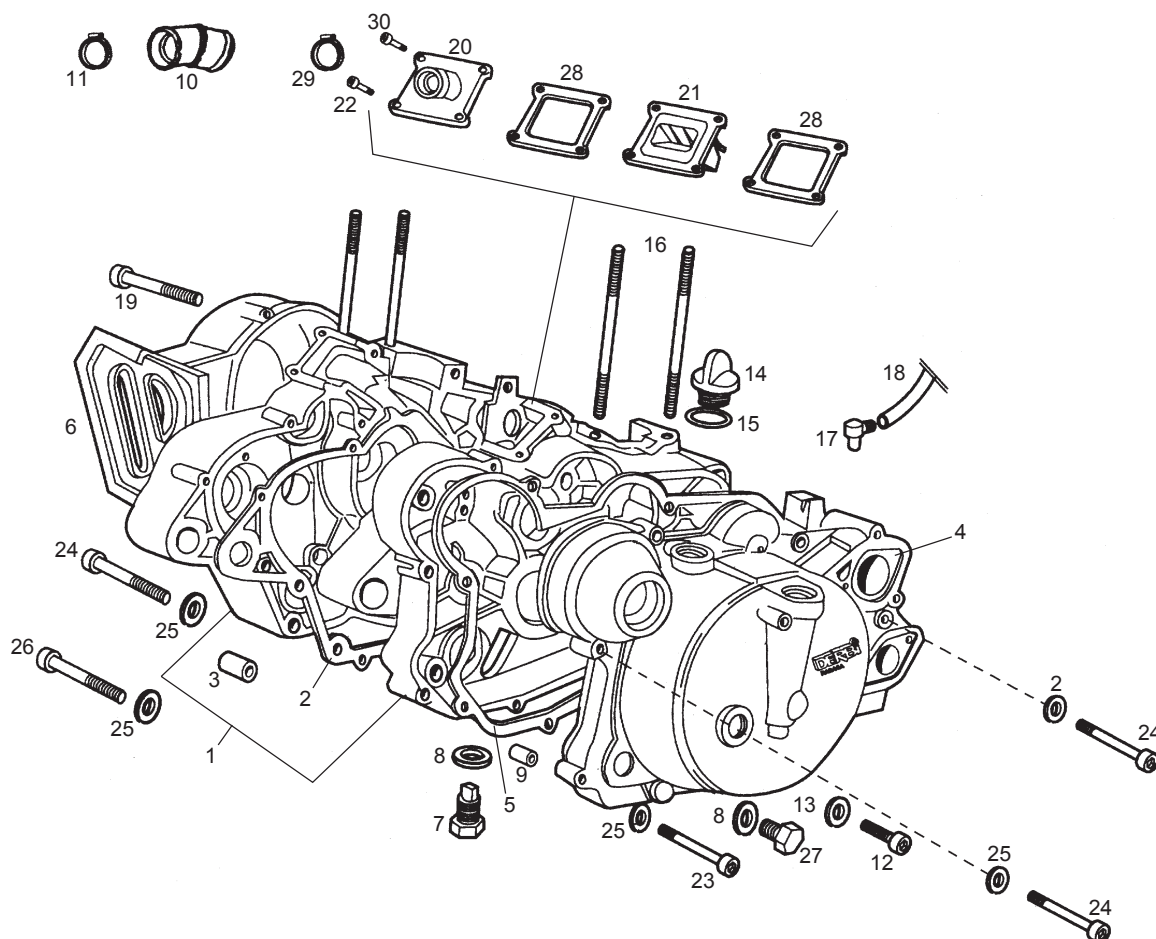


Fig.	Ver.	COD. KOD.	DESCRIPCIÓN DENOMINAZIONE NAME	BEZEICHUNG DESIGNATION	MOD.	NOTAS NOTES NOTA MITSCHRIFT NOTES
01A		00H03003634	CTO.CARTER CARTERS 50 C.C. CRANCKASE ASSEMBLY	MOTERGEHAUSE ENSEMBLE DES CARTERS MOTEUR	1 2 3 4 5 6 7 8 9 A B C	
02A		00H03000031	JUNTA CARTERS.50CC. GUARNIZIONE CARTERS 50CC GASKET, CHANCKASE	GEHAUSEDICHTUNG JOINT DE CARTERS CENTRAUX	1 2 3 4 5 6 7 8 9 A B C	
03A		00H03010361	SEPARAD.SILENT.DT.CARTER SEPARATORE SILENTBLOCK ANTERIO BUSHING	FUHRUNGSBUCHSE GABELSCHENK ENTRETOISE	1 2 3 4 5 6 7 8 9 A B C	
04A		00H03002884	SCTO.TAPA CARTER DR. SUBC.COP.CARTER DES. CRANCKASE COVER	KUPLINGSDECKEL CARTER DIEMBRYAGE	1 2 3 4 5 6 7 8 9 A B C	
05A		00H03000141	JUNTA TAPA CARTER DR.74/80CC. GUARNIZIONE COPERCHIO CARTER D GASKET RIGHT-HAND COVER	DICHTUNG JOINT DE CARTER EMBRAYAGE	1 2 3 4 5 6 7 8 9 A B C	
06A		00H03000242	TAPA CARTER IZ. COPERCHIO CARTER SINISTRO 4-6V CRANCKASE COVER LEFT	GEHD US ED EDKELLINKS COUVERCLE CARTER GAUCHE	1 2 3 4 5 6 7 8 9 A B C	
07A		00A03001422	CTO.TOR.VACDO.ACTE. VITE SVUOTAMENTO OL DRAIN PLUG W/MAGNET	OLABLASSSCHRAUBE BOUCHON DE VIDANGE	1 2 3 4 5 6 7 8 9 A B C	
08A		00A03000121	ARAND.VACDO.ACTE.VARIANT. RONDELLA SVUOTAMENTO OLIO VAR GASKET, DRAIN PLUG	SCHEIBE RONDELLE FIBRE D10-VIDANGE	1 2 3 4 5 6 7 8 9 A B C	
09A		00002030020	PASADOR UNION CARTER. CHIAVISTELLO UNIONE CARTER DOWEL PIN, CRANCKASE	BUCHSE PIED DE CENTRAGE	1 2 3 4 5 6 7 8 9 A B C	
10A		00H02502891	CASQ.UNION BOQ.CARB. GHIERA UNIONE ROC.CARB. COMPLING SLEEVE INTAKE	ANSAUGGUMMI CONDUIT ADMISION	1 2 3 4 5 6 7 8 9 A B C	
11A		00H02501491	BRIDA OTIKER GHIERA OTIKER COLLAR OTIKER	ZÜGEL OTIKER BRIDE OTIKER	1 2 3 4 5 6 7 8 9 A B C	

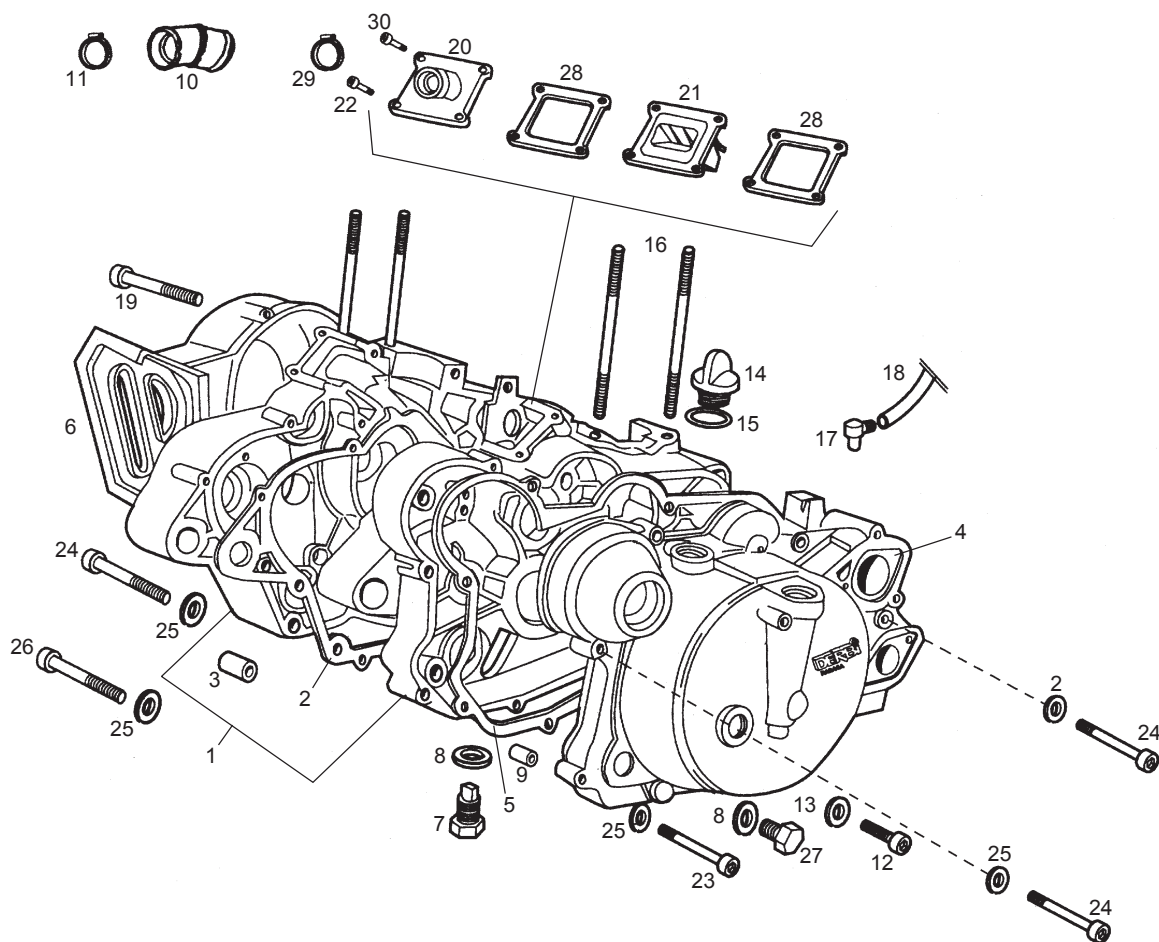


Fig.	Ver.	COD. KOD.	DESCRIPCIÓN DENOMINAZIONE NAME	BEZEICHNUNG DESIGNATION	MOD.	NOTAS NOTES NOTA MITSCHRIFT NOTES
12A		00002061011	TOR.C/ALLEN.6M100X10.DIN-VITE TESTA ALLEN 6M100X10 ALLEN SCREW M6X10	SCHRAUBE VIS A TETE CREUSE 6M100X10.	1 2 3 4 5 6 7 8 9 A B C	
13A		00003102280	ARAND.NIVEL ACEITE.D.6.ANTOR. RONDELLA LIVELLO OLIO D.6 TORC WASHER, SEALING	DICHTRING RONDELLE FIBRE D 6	1 2 3 4 5 6 7 8 9 A B C	
14A		00H03000081	TOR.LLENADO ACEITE 74/80CC VITE PIENO OLIO 74/80CC OIL FILLER SCREW	OLABFULLRING BOUCHON REM.P.HUILE	1 2 3 4 5 6 7 8 9 A B C	
15A		00001130370	ANILLO TORICO TAPON NIV.ACTE. ANELLO TORICO TAPPO LIVELLO OL WASHER SEALING	O-RING JOINT DE JAUGE D,HUILE	1 2 3 4 5 6 7 8 9 A B C	
16A		00003130050	ESPARRG.FIJ.CILINDRO.ANTORCHA. BULLONE FISSAGGIO CILINDRO TOR STUD CYLINDER	STEBOLZEN GOUJON DE FIXE CYLINDRE	1 2 3 4 5 6 7 8 9 A B C	
17A		00005530600	RACORD SALIDA GASES CART.4-6V. RACCORDI USCITA GAS CARTER . CRANKCASE VENT RACCORD	AUSGANGSSTUTZEN RACCORD DE SORTIE GAZ CARTE	1 2 3 4 5 6 7 8 9 A B C	
18A		00H03700461	TUBO RESPIR.DPTO.ACTE.. TUBO RESPIRAZIONE SERBATOIO O VENT PIPE OIL TANK	ENTLUEFTUNGSSCHLAUCH TUYAU RESPIRATION RESERVOIR	1 2 3 4 5 6 7 8 9 A B C	
19A		00G03900821	TOR.C/ALLEN.6M100X30. VITE TESTA ALLEN 6M100X30. HEX.SOCKET-HEAD SCREW	INBUSSCHRAUBE VIS T. CREUSE	1 2 3 4 5 6 7 8 9 A B C	
20A		00H02507061	BOQUILLA CARBURANTE ATTACCO CARBURATORE INTAKE MANIFOLD,	ANSAUGSTUTZEN ENSEMB.PIPE DIADMISSION	1 2 3 4 5 6 7 8 9 A B C	
21A		00H02510641	CTO.CAJA LAM.ADM.74/80CC.2598-CASSA LAMINA AMMISSI INLET BOX	MEMBRANE BOITE A CLAPETS	1 2 3 4 5 6 7 8 9 A B C	
22A		00G03000211	TOR.C/ALLEN.6M100X25. VITE TESTA ALLEN 6M100X25. HEX.SOCKET-HEAD SCREW 6MX25	INBUSSCHRAUBE 6M100X25.D-9 VIS A TETE ALLEN 6M100X25.	1 2 3 4 5 6 7 8 9 A B C	

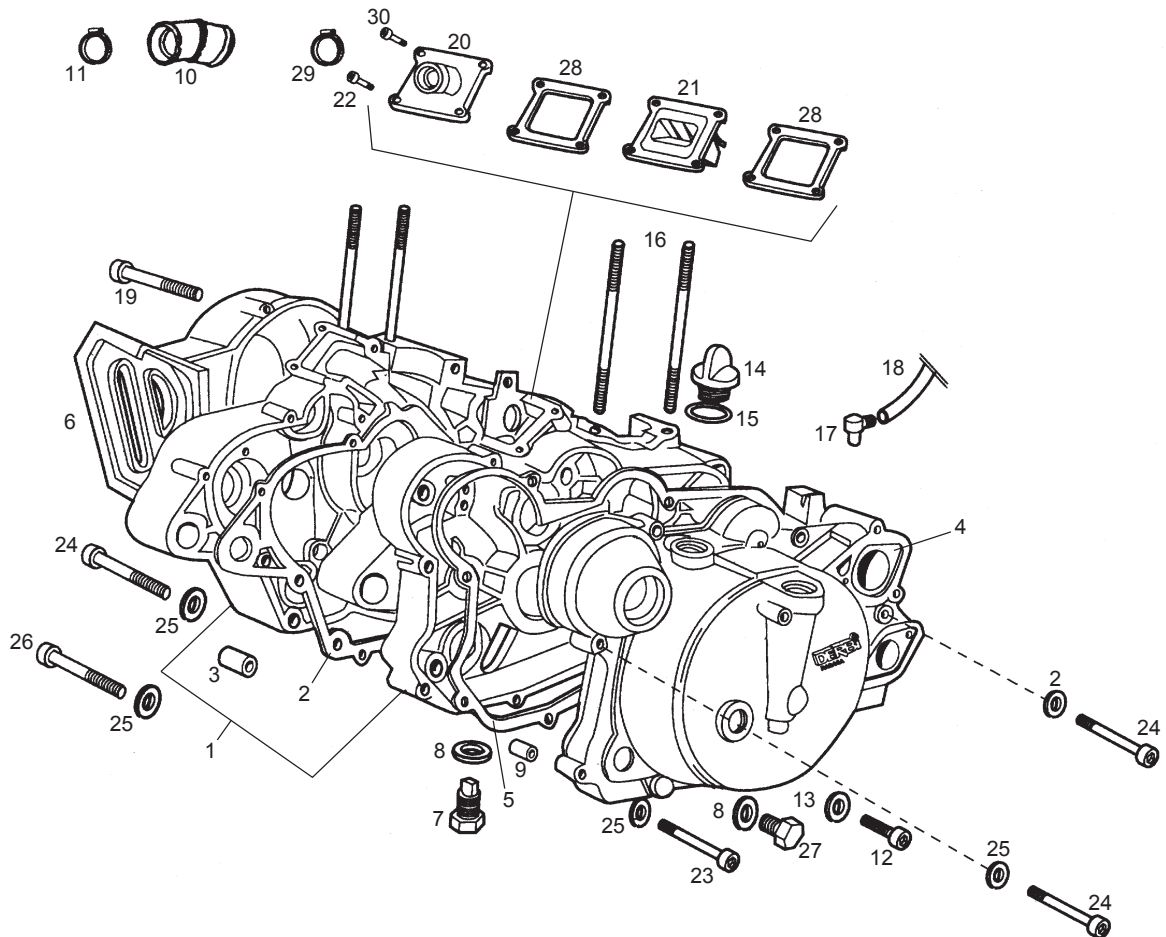


Fig.	Ver.	COD. KOD.	DESCRIPCIÓN DENOMINAZIONE NAME	BEZEICHUNG DESIGNATION	MOD.	NOTAS NOTES NOTA MITSCHRIFT NOTES
23A		00G03001091	TOR.C/ALLEN.6M100X35.D-912/8.8 VITE TESTA ALLEN 6M100X35 ALLEN SCREW 6M100X3	BEF.-SCHRAUBE MOTORHEHÉUSE BOULON SERRAGE CARTERS (6X3	1 2 3 4 5 6 7 8 9 A B C	
24A		00G03002091	TOR.C/ALLEN.6M100X40.D-912.8.8 VITE TESTA ALLEN 6M100X40.DIN- HEX.SOCKET-HEAD 6MX40	INBUSSCHRAUBE 6M100X40 VIS 6M100X40.	1 2 3 4 5 6 7 8 9 A B C	
25A		00000031060	ARAND.PLANA MECANIZ.D.6.DIN125 RONDELLA PIATTA D6 MACHINED FLAT WASHER D6 DIN-12	SCHEIBE D.6 ROND. PLATE MECANISEE D6DIN	1 2 3 4 5 6 7 8 9 A B C	
26A		00H03000091	TOR.C/ALLEN.6M100X50.D-912.8.8 VITE TESTA ALLEN 6M100X50.D-9 HEX.SOCK-HEAD SCR.6M100X50D912	SCHRAUBE 6X50 VIS 6X50	1 2 3 4 5 6 7 8 9 A B C	
27A		00A03000132	TOR.VACIADO ACEITE. VITE SVUOTAMENTO OLIO PLUG, DRAIN	SCHRAUBE BOUCHON DE VIDANGE	1 2 3 4 5 6 7 8 9 A B C	
28A		00H02500811	JUNTA SOPTE.VALVULA ADMIS.74CC GUARNIZIONE SOSTEGNO VALVOLA A INLET VALVE GASKET	DICHTUNG VENTILHALTER JOINT BTE.CLAPETS	1 2 3 4 5 6 7 8 9 A B C	
29A		00H02500491	BRIDA OTIKER GHIERA OTIKER COLLAR OTIKER	ZÜGEL OTIKER BRIDE OTIKER	1 2 3 4 5 6 7 8 9 A B C	
30A		00F05000061	TORNILLO VITE FISSAGGIO SCREW	SCHRAUBE VIS	3 4 5 6 7 8 9 A B C	

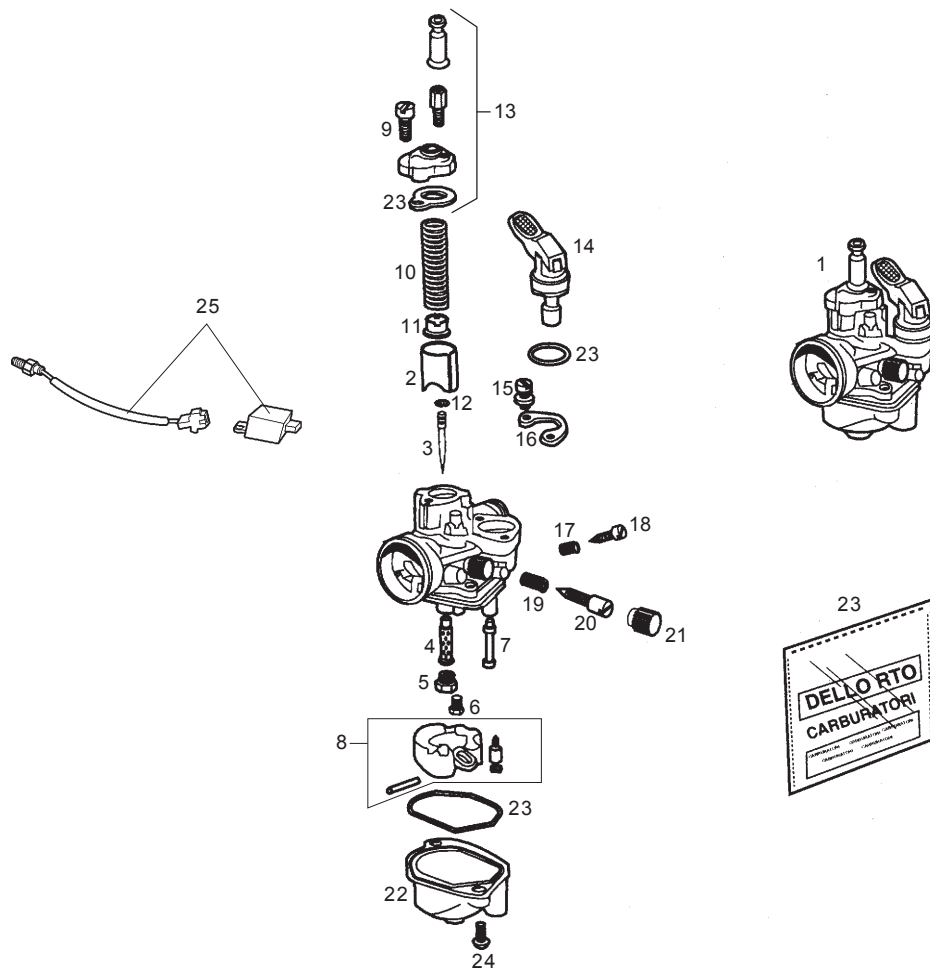


Fig.	Ver.	COD. KOD.	DESCRIPCIÓN DENOMINAZIONE NAME	BEZEICHNUNG DESIGNATION	MOD.	NOTAS NOTES NOTA MITSCHRIFT NOTES
01A		00H03236011	CTO.CARBURADOR CARBURATORE CARBURETOR	VERGASER KOMPL ENSEMBLE CARBURATEUR	1 2	
01B		00H03239011	CTO. CARBURADOR CARBURATORE CARBURETOR	VERGASER KOMPL ENSEMBLE CARBURATEUR	3 4 5 6	
01C		00H03245011	CTO. CARBURADOR CARBURATORE CARBURETOR	VERGASER KOMPL ENSEMBLE CARBURATEUR	7 8 9 A B C	
02A		00H03201211	R-COMPUERTA GAS D.30 R-VALVOLA GAS D.30 SLIDE	GASSCHIEBER BOISSEAU	1 2	
02B		00F03201211	R-COMPUERTA GAS D.30 R-VALVOLA GAS D.30 SLIDE	GASSCHIEBER BOISSEAU	3 4 5 6 7 8 9 A B C	
03A		00G03202431	AGUJA PULVERIZAD. A8 3 R-SPILLO SPRUZZATORE NEEDLE	DUESENNADELUSE AIGUILLE PULVERIZ.	1 2 3 4 5 6 7 8 9 A B C	
03B		00G03201431	AGUJA PULVERIZADOR R-SPILLO SPRUZZATORE NEEDLE	DUESENNADELUSE AIGUILLE PULVERIZ.	1 2 3 4 5 6 7 8 9 A B C	
04A		00F03200421	R-PULVERIZADOR GA211 POLVERIZZATORE GA211 NEEDLE JET	ZERSTAUBERDUSE GA210 PULVERISATEUR GA210	1 2	
04B		00H03204421	R-PULVERIZADOR GA210 POLVERIZZATORE GA211 NEEDLE JET	ZERSTAUBERDUSE GA210 PULVERISATEUR GA210	3 4 5 6 7 8 9 A B C	
05A		00H03221031	R-SURTIDOR MAX.71 R-GETTO MASSIMO 71 MAIN JET 71	HAUPT DUSE 73 GICLEUR PRINCIPAL 73	1 2	
05B		00G03206031	R-SURTIDOR MAX.71 R-GETTO MASSIMO 65 MAIN JET 65	HAUPT DUSE 73 GICLEUR PRINCIPAL 73	3 4 5 6	

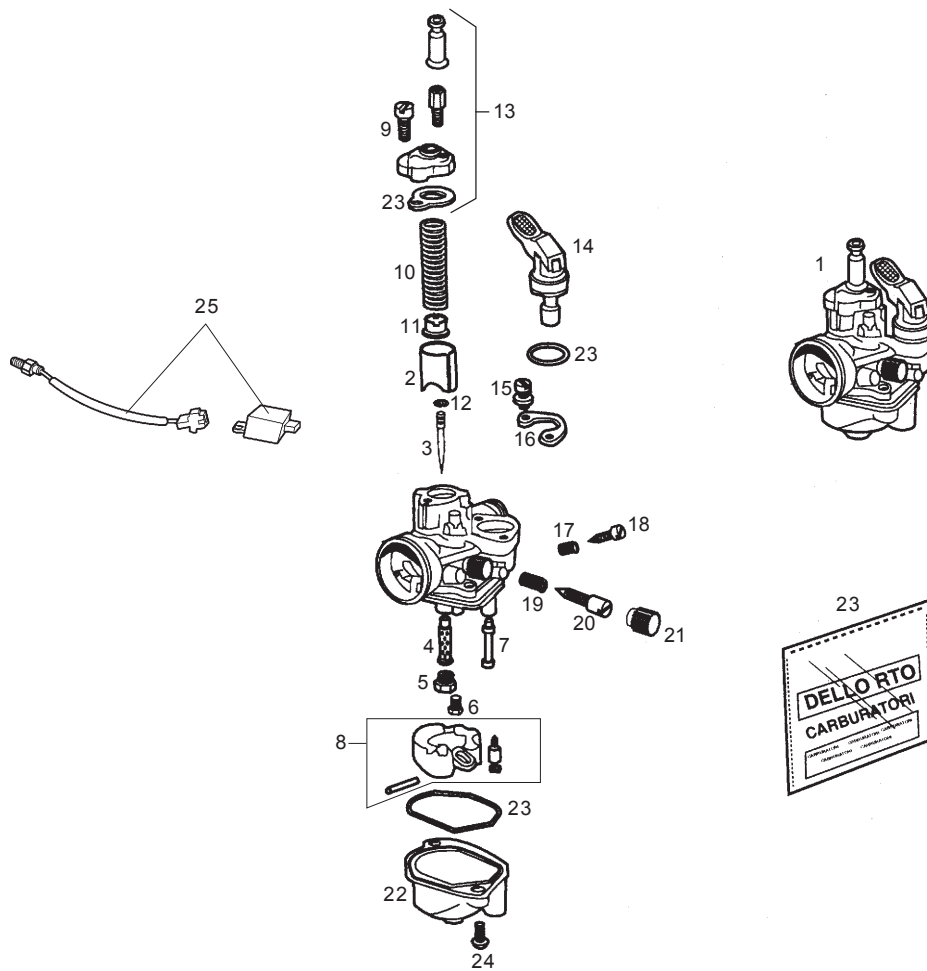


Fig.	Ver.	COD. KOD.	DESCRIPCIÓN DENOMINAZIONE NAME	BEZEICHUNG DESIGNATION	MOD.	NOTAS NOTES NOTA MITSCHRIFT NOTES
05C		00G03208031	R-SURTIDOR MAX.55 R-GETTO MASSIMO 55 MAIN JET 55	HAUPT DUSE 55 GICLEUR PRINCIPAL 55	7 8 9 A B C	
06A		00H04101181	R-SURTIDOR MIN.D.32 R-GETTO MINIMO 32 JET MIN D. 32	DUESE MIN. D.36 R-GICLEUR MINIMUM. D.36 SE	1 2	
06B		00H04106181	R-SURTIDOR MIN. 36 R-GETTO MINIMO 36 JET MIN 36	DUESE MIN. D.36 R-GICLEUR MINIMUM. D.36 SE	3 4 5 6 7 8 9 A B C	
07A		00H03202481	R-SURTIDOR ENTR. AIRE R-GETTO INGRESSO ARIA 45 IDLE JET	LUFTEINLASS-DUSE R-GICLEUR DIENTRE DIAIR 45	1 2	
07B		00H03203481	R-SURTIDOR ENTR. AIRE R-GETTO INGRESSO ARIA 45 IDLE JET	LUFTEINLASS-DUSE R-GICLEUR DIENTRE DIAIR 45	3 4 5 6 7 8 9 A B C	
08A		00H03202281	R-FLOTADOR R-GALLEGGIANTE FLOAT	SCHWIMMER R-FLOTTEUR.	1 2 3 4 5 6 7 8 9 A B C	
09A		00G03200061	R-TOR.FIJ.TAPA CAM. MEZCLA R-VITE FISSAGIO COPERCHIO CAM. MIXING XAMBER COVER SECURING	BEF.-SCHRAUBE DECKEL MISCH R-BOUL.SER.COUV.CHAMBRE MEL	1 2 3 4 5 6 7 8 9 A B C	
10A		00G03201071	R-MUELLE VALV.GAS R-MOLLA VALVOLA GAS THROTTLE VALVE RETURN	FEDER FUR GASVENTIL R-RESSORT VALVE ESS.	1 2 3 4 5 6 7 8 9 A B C	
11A		00G03200511	R-CASC.AGUJA PULV. R-GHIERA SPILLO SPRUZZATORE NEEDLE BUSHING	BUCHSE DUESENNADEL R-DOUILLE AIGUI.PULVERZ.	1 2 3 4 5 6 7 8 9 A B C	
12A		00G03201371	R-PINZA AGUJA PULVER. R-MORSA SPILLO SPRUZZATORE NEEDLE CIRCLIP	KLAMMER DUESENNADEL R-PINCE AIGUI.PULVERZ.	1 2 3 4 5 6 7 8 9 A B C	
13A		00H03204231	R-TAPA CAMARA MEZCLA R-COPERCHIO CAMARA MISCELA SE COVER CARBURETOR TOP	MISCHRAUMDECKEL COUVERCLE CARBURATEUR	1 2 3 4 5 6 7 8 9 A B C	

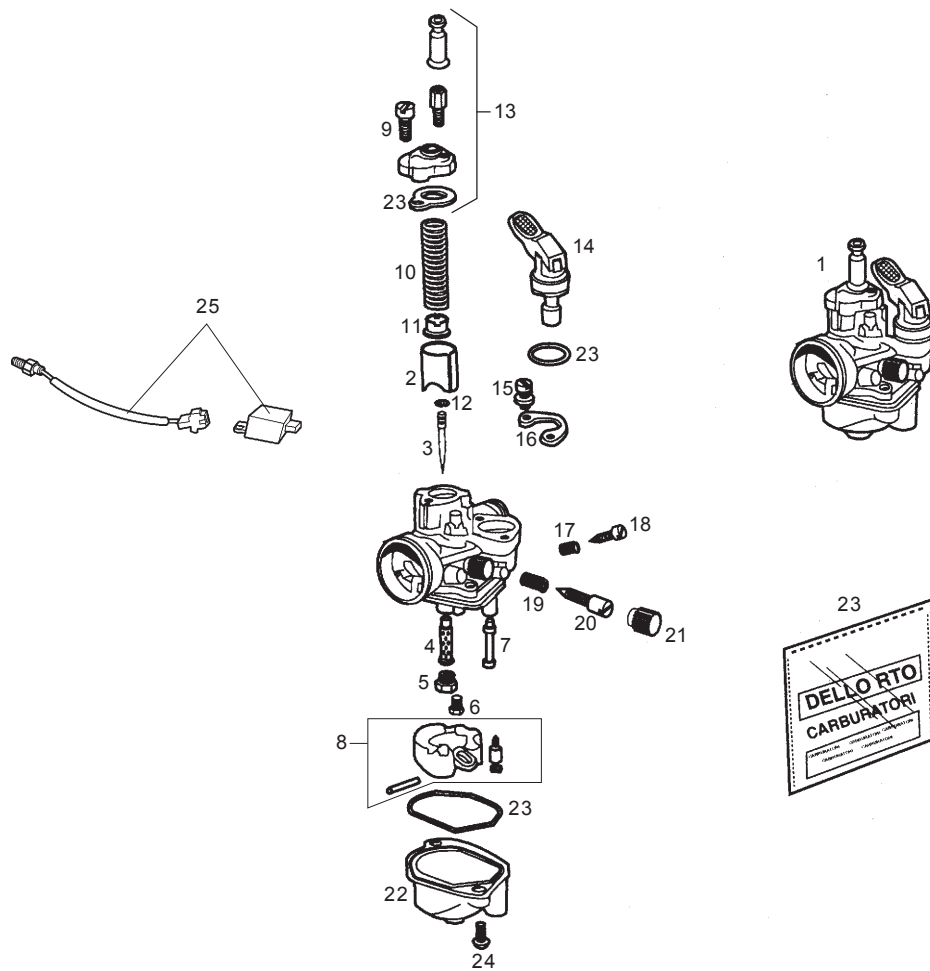


Fig.	Ver.	COD. KOD.	DESCRIPCIÓN DENOMINAZIONE NAME	BEZEICHNUNG DESIGNATION	MOD.	NOTAS NOTES NOTA MITSCHRIFT NOTES
13B		00H03202231	R-TAPA CAMARA MEZCLA R-COPERCHIO CAMARA MISCELA SE COVER CARBURETOR TOP	MISCHRAUMDECKEL COUVERCLE CARBURATEUR	1 2 3 4 5 6 7 8 9 A B C	
14A		00H03203711	R-CTO.STARTER R-STARTER CHOCKE LOCK	STARTERVENTIL VANNE DU STARTER MANUEL	1 2 3 4 5 6 7 8 9 A B C	
15A		00G03200541	R-TOR.FIJ.START.AUTOM. R-VITE FISSAGIO STARTER AUTOMA.CHOCKE SEGURING SCREE	BEF.-SCHRAUBEAUTOM STARTER R-BOULON SER.START.AUTOM.	1 2 3 4 5 6 7 8 9 A B C	
16A		00G03200551	R-PRCTO.FIJ.STAR.AUT. R-PLOMBAGE FIX.START.AUT. AUTOMA.CHOCKE SEGURING SCREE	HALTERUNG AUTOM. STARTER A R-PLOMBAGE FIX.START.AUT.	1 2 3 4 5 6 7 8 9 A B C	
17A		00G03200721	R-MUELLE REG.AIRE MIN. R-RESSORT REG.AIR.MIN. IDLE ADJUSTER	FEDER LUFTREGLER MIN. R-RESSORT REG.AIR MIN.	1 2 3 4 5 6 7 8 9 A B C	
18A		00G03200731	R-TOR.REG.AIRE MIN. R-VIS REG.AIR.MIN. IDLE ADJUSTER SCREW	LUFT-REGULIERSCHRAUBE MIN. R-VIS REG.AIR MIN.	1 2 3 4 5 6 7 8 9 A B C	
19A		00G03200101	R-MUELLE REG.VALV.GAS R-RES.REG.VALVE ESS. THROOTLE VALVE ADJUSTE SPRING	FEDER GAS-VENTIL-REGELUNG R-RES.REG.VALVE ESS.	1 2 3 4 5 6 7 8 9 A B C	
20A		00G04100131	R-TOR.REG.VALV.GAS R-BOUTON VITE REGOLAZIONE VALVOLA THROOTLE VALVE ADJUSTER SCREW	SCHRAUBE GAS-VENTIL-REGELU R-VIS REG.VALV.ESS.	1 2 3 4 5 6 7 8 9 A B C	
21A		00G04100741	R-BOTON.TOR.REG.VAL.GAS R-BOUTON AVIS REGL.VALV.ESS. THROOTLE VALVE ADJUSTER SCREW	KNOPF GASVENTIL-STELLSCHRA R-BOUTON VIS REGL.VALV.ESS.	1 2 3 4 5 6 7 8 9 A B C	
22A		00H03201201	R-VASO GASOLINA R-VASCHETTA BENZZINA FLOAT BOWL SEET	SCHWIMMERKAMMER CUVE INFERIEURE CARBUR.	1 2 3 4 5 6 7 8 9 A B C	
23A		00G04100771	R-CTO.JUNTAS CARBU. R-GUARNIZIONE CARBU. CARBURETOR GASKET	DICHTUNGSATZ KOMPL. VERGAS R-ENS. JOINTS CARBUR.	1 2 3 4 5 6 7 8 9 A B C	

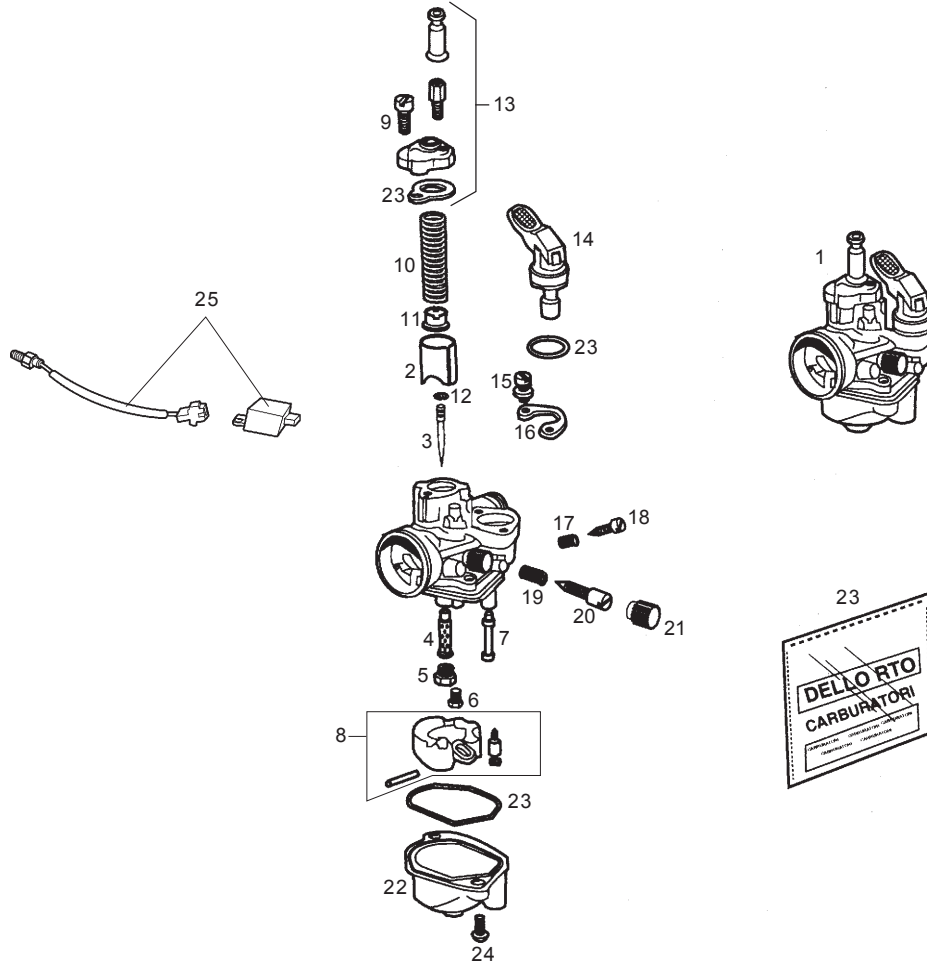


Fig.	Ver.	COD. KOD.	DESCRIPCIÓN DENOMINAZIONE NAME	BEZEICHNUNG DESIGNATION	MOD.	NOTAS NOTES NOTA MITSCHRIFT NOTES
24A		00G03201091	R-TOR.FIJ.VASO GASOL. R-VITE FISSAGIO VASCHETTA BE FLOAT CHAMBER SECURING SCREW	BEF.-SCHRAUBE R-BOUL.SERG.VASE ESSENC.	1 2 4 5 7 8 A B	
25A		00H06000151	CTO. CALENTADOR KIT RISCALDAMENTO KIT CARBURETTOR HEATER	KABELBAUN FUR HEIZUNG VERG KIT QUI CHAUFFE CARBURATEUR	3 6 9 C	

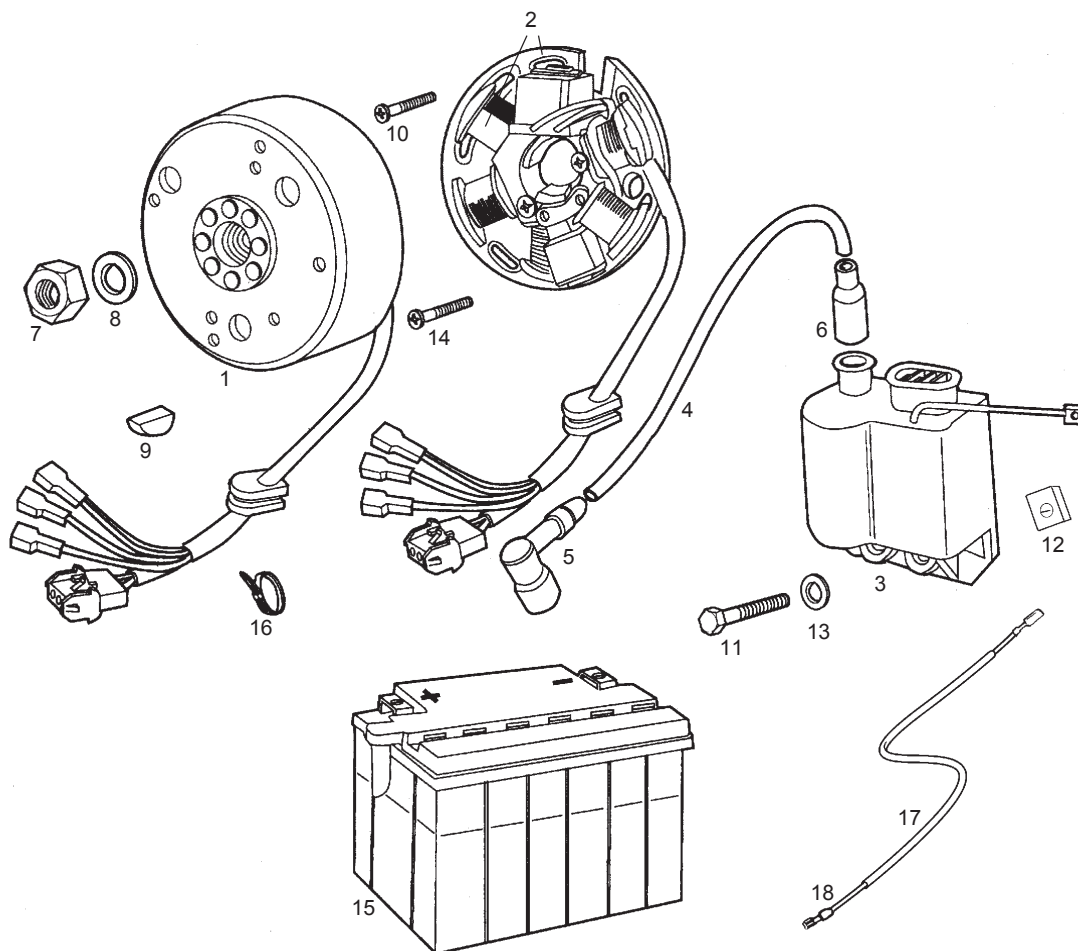


Fig.	Ver.	COD. KOD.	DESCRIPCIÓN DENOMINAZIONE NAME	BEZEICHNUNG DESIGNATION	MOD.	NOTAS NOTES NOTA MITSCHRIFT NOTES
01A		00H03307011	CTO. VOLANTE ELECTR. (LEONELLI) VOLANO ELETTRONICO MAGNETO ASSEMBLY	LICHTMASCHINE KOMPL. VOLANT MAGNETIQUE	1 2 3	
01B		00H03301011	CTO. VOLANTE ELECTRONICO (DUCATI) VOLANO ELETTRONICO MAGNETO ASSEMBLY	LICHTMASCHINE KOMPL. VOLANT MAGNETIQUE	4 5 6 7 8 9 A B C	
02A		00H03303701	R-CTO. STATOR VOL.ELEC.(LEONELLI) R-STATORE VOLANO ELE STATOR PLATE	STATOR STATOR	1 2 3	
02B		00H03300701	R-CTO. STATOR VOL.ELEC.(DUCATI) R-STATORE VOLANO ELE STATOR PLATE	STATOR STATOR	4 5 6 7 8 9 A B C	
03A		00H03331171	CTO. CONVERSION ELECTR. (LEONELLI) COVERTITTORE ELETTRON COIL, PRIMARY IGNITION	ZUNDSPULE BOBINE AUTE TENSION	1 2 3	
03B		00H03330171	CTO. CONVERSION ELECTR. (DUCATI) COVERTITTORE ELETTRON COIL, PRIMARY IGNITION	ZUNDSPULE BOBINE AUTE TENSION	4 5 6 7 8 9 A B C	
04A		00F03310741	CABLE BOBINA.START.A.E. CAVO BOBINA START.A.E. CABLE COIL PRIMARY IGNITION	ZUNDSPULENKABEL CABLE	1 2 3 4 5 6 7 8 9 A B C	
05A		00G03301271	CTO. PIPA BUJIA (MTA.) PIPETA CANDELA COVER, SPARK PLUG	ZUNDKERZENSTECRER PIPE DE BOUGIE	1 2 3 4 5 6 7 8 9 A B C	
06A		00F03300731	CAPUCHON CABLE BOBINA SCO-50. CAPPUCIO CAVO BOBINA SCO-50. COIL CABLE RUBBER PROTECTOR	KAPPE CAPUCHON	1 2 3 4 5 6 7 8 9 A B C	
07A		00H03300221	TCA.FIJ.VOLTE.MAGN.74/80CC. DADO FISSAGGIO VOLANO MAGNETIC NUT,MAGNETO ASSEMBLY	MUTTER ECROU FIXE VOLANT	1 2 3 4 5 6 7 8 9 A B C	
08A		00F03300241	ARAND.FIJ.VOLTE.MAGN.SCO.DCT. RONDELLA FISSAGGIO VOLANO MAG WASHER, FLYWHEEL 10MM	BEF.-SCHEIBE RONDELLE	1 2 3 4 5 6 7 8 9 A B C	

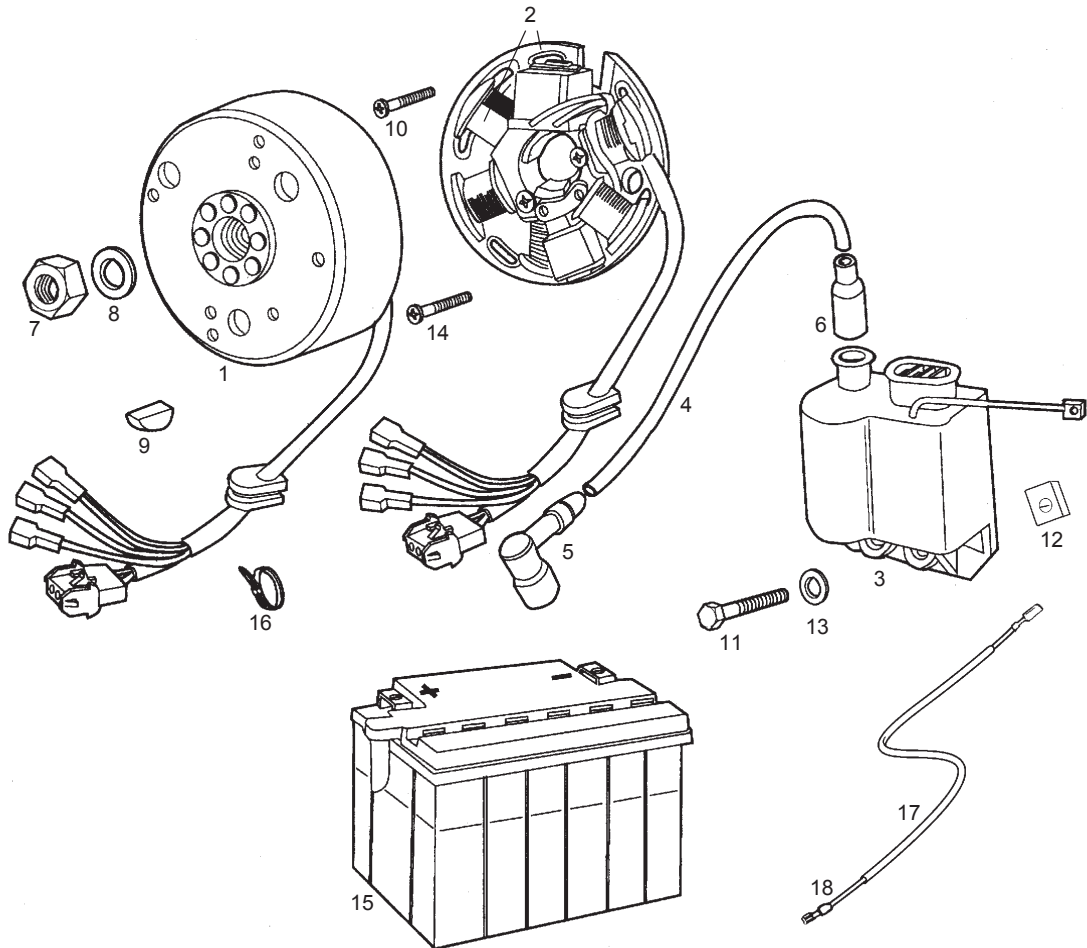


Fig.	Ver.	COD. KOD.	DESCRIPCIÓN DENOMINAZIONE NAME	BEZEICHNUNG DESIGNATION	MOD.	NOTAS NOTES NOTA MITSCHRIFT NOTES
09A		00003133230	CHAVETA VOLTE.MAGN.P.REC.MCH. SPINA VOLANO MAGNETICO .P.REC. KEY, FLYWHEEL	KEIL CLAVETTE VOLANT MAGNETIQUE	1 2 3 4 5 6 7 8 9 A B C	
10A		00003133260	TOR.FIJ.VOLTE.MAGN.5M80X10. VITE FISSAGGIO VOLANO MAGNETIC SCREW, STATOR PLATE	SCHRAUBE VIS FIX VOLANT	1 2 3 4 5 6 7 8 9 A B C	
11A		00012162000	TOR.C/EXAG. 5M80X16.DIN-933 VITE TESTA ESAGONALE 5M80X16 D HEX.HEAD SCREW 5M80X15	SCHRAUBE BOULON TETE HEX.5M80X15	1 2 3 4 5 6 7 8 9 A B C	
12A		00D01501371	TCA. FIJ.CUBRECAD.212827 DADO FISSAGGIO NUT	MUTTER ECROU	1 2 3 4 5 6 7 8 9 A B C	
13A		00D01200171	ARAND.PLANA MEC.D.5.DIN125-B RONDELLA PIATTA D5 MACHINED FLAT WASHER D5	SCHEIBE D.5 DIN-125 ROND.PLATE MECANISEE D.5.DI	1 2 3 4 5 6 7 8 9 A B C	
14A		00000012420	TOR.C/RED.CRUIZ 4M70X20 D7985NG VITE TESTA TONDA CROCE 4M70X20 ROUNDHEAD PHILIPS SCREW 4MM-7	SCHRAUBE VIS T.RON.CROIX 4M70X20 D79	1 2 3 4 5 6 7 8 9 A B C	
15A		00G03301401	BATERIA 12V. 4AH. BATTERIA 12V BATTERY 12V. 4AH.	BATTERIE.12V. BATTERIE.12V. 4AH. START.A.	1 2 3 4 5 6 7 8 9 A B C	
16A		00F00900531	BRIDA UNECABLES NEGRA FLANGIA UNIONE CAVI BLACK CABLE TIE	KABELBINDER COLLIER	1 2 3 4 5 6 7 8 9 A B C	
17A		00H03300851	FUNDA CABLE SEÑAL CTA VUELTAS PROTEZIONE CAVI RUBBER,CABLE PROTECTOR	GUMMI PASSE-CABLE	1 2 3 4 5 6 7 8 9 A B C	
18A		00H03301811	CABLE SEÑAL CT. VTAS CAVI CABLE	KABEL CABLE	1 2 3 4 5 6 7 8 9 A B C	

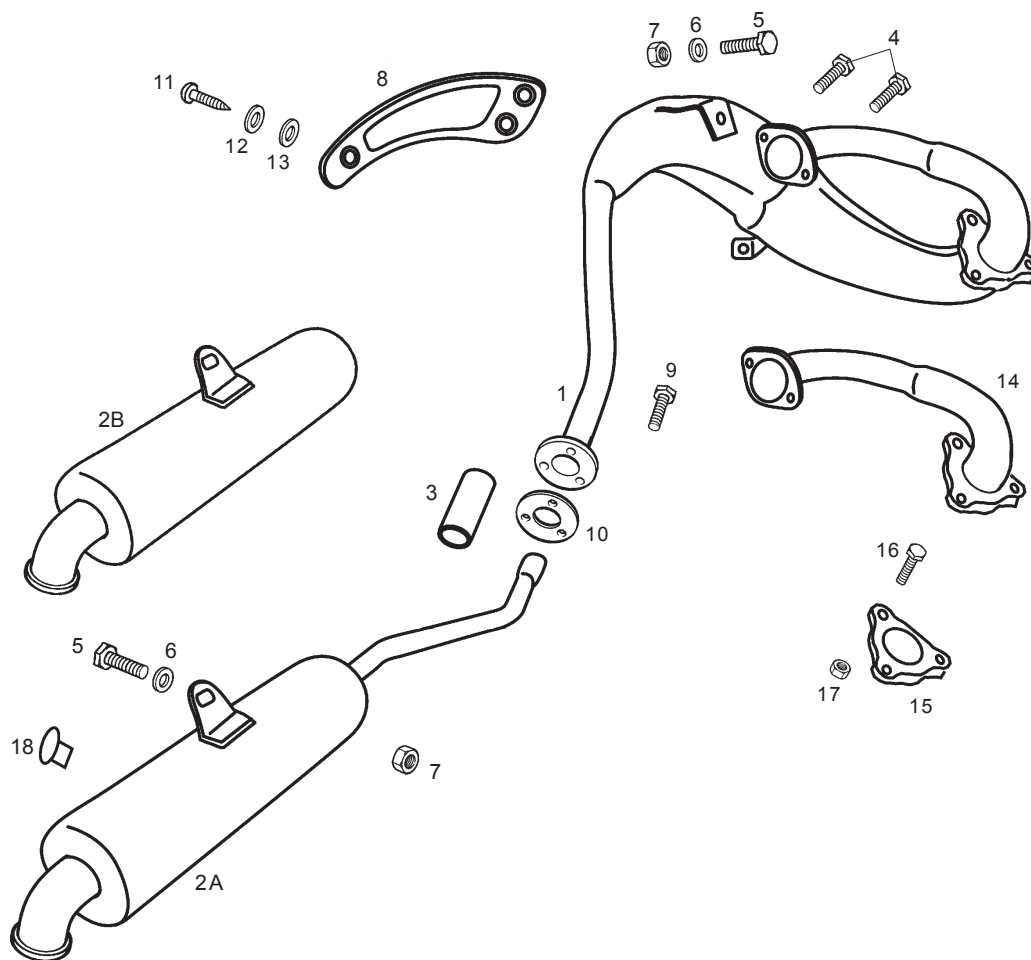


Fig.	Ver.	COD. KOD.	DESCRIPCIÓN DENOMINAZIONE NAME	BEZEICHNUNG DESIGNATION	MOD.	NOTAS NOTES NOTA MITSCHRIFT NOTES
01A		00H03421082	SCTO.TUBO ESC-SIL. SUBCOMP.TUBO SCAPP-SIL. EXHAUST PIPE AND MUFFLER	AUSPUFF ENSEMBLE TUBE DIECHAPPEMENT	1	
01B		00H03424082	SCTO.TUBO ESC-SIL. SUBCOMP.TUBO SCAPP-SIL. EXHAUST PIPE AND MUFFLER	AUSPUFF ENSEMBLE TUBE DIECHAPPEMENT	2	
01C		00H03426082	SCTO.TUBO ESC-SIL. SUBCOMP.TUBO SCAPP-SIL. EXHAUST PIPE AND MUFFLER	AUSPUFF ENSEMBLE TUBE DIECHAPPEMENT	3 4 5 6	
01D		00H03442081	SCTO.TUBO ESC-SIL. SUBCOMP.TUBO SCAPP-SIL. EXHAUST PIPE AND MUFFLER	AUSPUFF ENSEMBLE TUBE DIECHAPPEMENT	7 8 9 A B C	
02A		00H03422413	SCTO.SORDINA SUBCOMP.SORD. EXHAUST TANK	SCHALLDAMPFER SILENCIEUX DIECHAPPEMENT	1 2	
02B		00H03423411	SCTO.SORDINA SUBCOMP.SORD. EXHAUST TANK	SCHALLDAMPFER SILENCIEUX DIECHAPPEMENT	3 4 5 6 7 8 9 A B C	
03A		00H03401321	MANGUITO ENTRADA GASES SORDINA MANICOTTO INGRESSO GAS SORDIN HOSE, MUFFLER CONNECTING	MUFFE RACCORD	1 2	
04A		00002062011	TOR.C/ALLEN.6M100X20.D-912/8.8 VITE TESTA ALLEN 6M100X20.D-91 ALLEN SCREW M6X20	INBUSSCHRAUBE 6M100X20. VIS T.CREUSE 6M100X20.D-912	1 2 3 4 5 6 7 8 9 A B C	
05A		00012081621	TOR.C/EXAG.8M125X16D933.BCR8.8 VITE TESTA ESAGONALE 8M125X16 SCREW M8X16	SCHRAUBE 8M125X16 8M125X16 VISA TETE HEXAG.8M125X16	1 2	
05B		00000002816	TOR.C/EXAG.8M125X16D933.BCR8.8 VITE TESTA ESAGONALE 8M125X16 SCREW M8X16	SCHRAUBE 8M125X16 8M125X16 VISA TETE HEXAG.8M125X16	3 4 5 6 7 8 9 A B C	
06A		00402080001	ARAND.PLANA MECANIZ.D.8.DIN125 RONDELLA PIATTA D8 MACHINED FLAT WASHER D8 DIN-12	SCHEIBE ROND. PLATE MECANISEE	1 2	

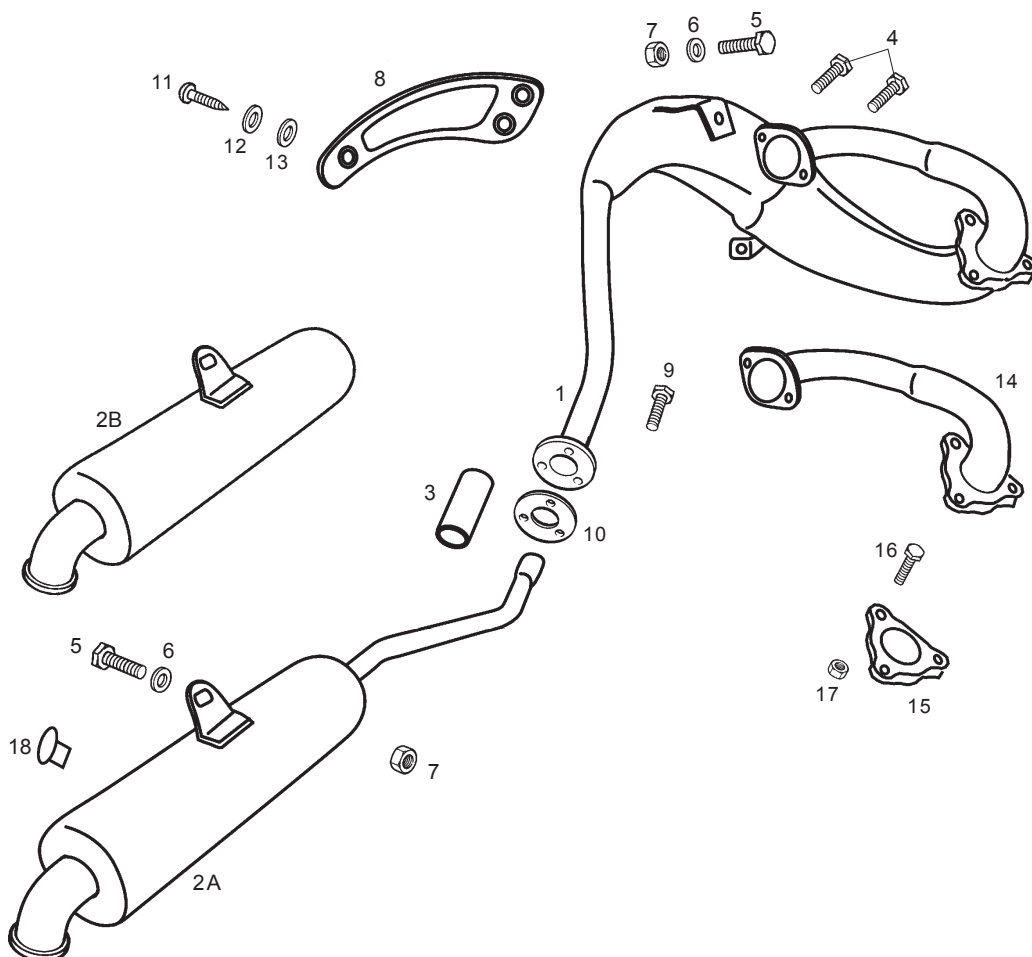


Fig.	Ver.	COD. KOD.	DESCRIPCIÓN DENOMINAZIONE NAME	BEZEICHUNG DESIGNATION	MOD.	NOTAS NOTES NOTA MITSCHRIFT NOTES
06B		00000031080	ARAND.PLANA MECANIZ.D.8.DIN125 RONDELLA PIATTA D8 MACHINED FLAT WASHER D8 DIN-12	SCHEIBE ROND. PLATE MECANISEE	3 4 5 6 7 8 9 A B C	
07A		00023108000	TCA.AUTOBLOC. 8M125.DIN-985.8 DADO AUTOBLOCCANTE 8M125 SELF-LOCKING NUT M8	MUTTER SELBSTS ECROU INDESSERABLE 8M125.DI	1 2	
07B		00023208000	TCA.AUTOBLOC. 8M125.DIN-985.8 DADO AUTOBLOCCANTE 8M125 SELF-LOCKING NUT M8	MUTTER SELBSTS ECROU INDESSERABLE 8M125.DI	3 4 5 6 7 8 9 A B C	
08A		00H01800401	PROTECTOR SILENCIADOR PROTEZIONE SILENZIATORE SILENCER SHIELD	SCHALLDAEMPERSCHUTZ PROTECT.SIL.	1 2 3 4 5 6 7 8 9 A B C	
09A		00D05910081	TORNILLO VITE FISSAGGIO SCREW	SCHRAUBE VIS	3 4 5 6 7 8 9 A B C	
10A		00H03404321	JUNTA GUARNIZIONE GASKET	DICHTUNG JOINT	3 4 5 6 7 8 9 A B C	
11A		00000012415	TORNILLO VITE FISSAGGIO SCREW	SCHRAUBE VIS	1 2 3 4 5 6 7 8 9 A B C	
12A		00F04201361	ARANDELA RONDELLA WASHER	DICHTRING RONDELLE	1 2 3 4 5 6 7 8 9 A B C	
13A		00D02600631	ARANDELA RONDELLA FERMO MOLLA FRIZIONE CLUTCH SPRING STOP WASHER	SCHEIBE ROND.BUTEE RESSORT EMBRAYA.	1 2 3 4 5 6 7 8 9 A B C	
14A		00H03433011	TUBO ESCAPE TUBO SCAPP-SIL. EXHAUST PIPE AND MUFFLER	AUSPUFF ENSEMBLE TUBE DIECHAPPEMENT	3 4 5 6	
15A		00G03400321	JUNTA GUARNIZIONE FISSAGGIO MARMITTA SILENCER SECURING GASKET	BEF.-DICHTUNG SCHALLDAEMPFER JOINT FIX.SILENCIEUX DIECHAP.	3 4 5 6	

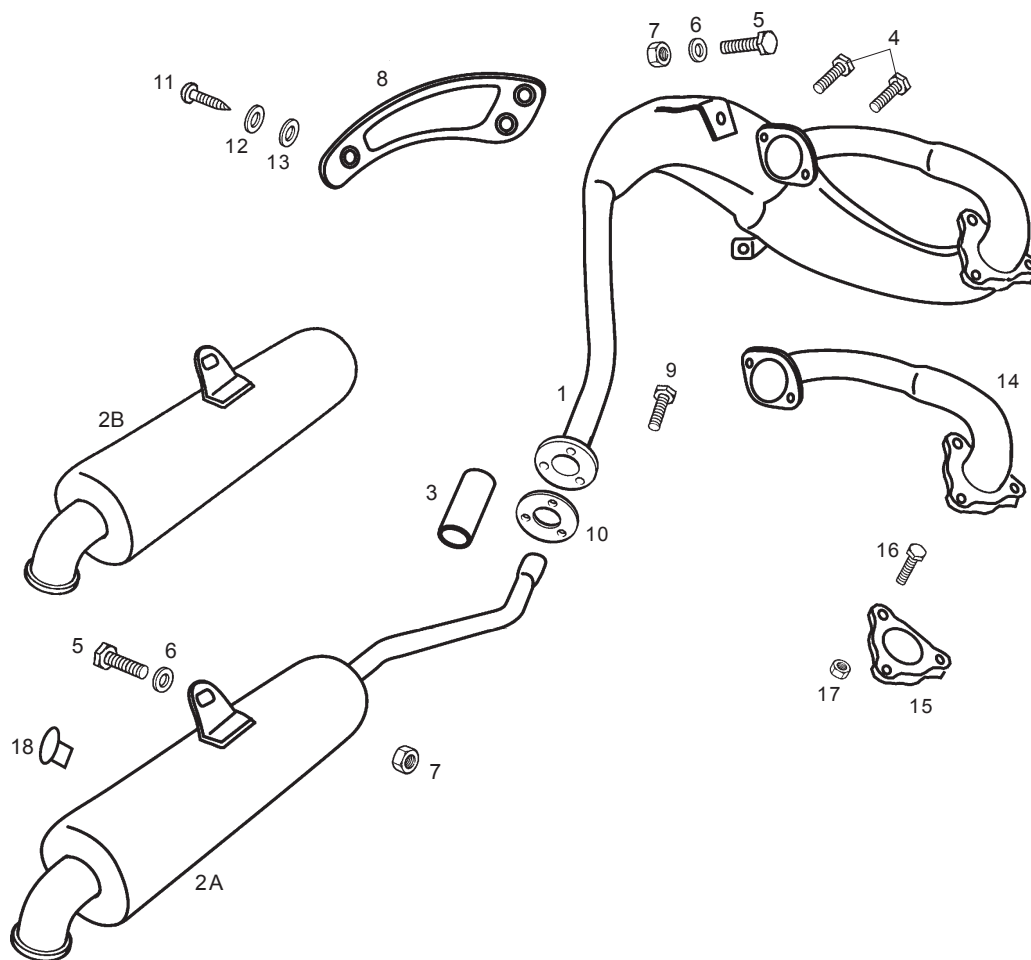


Fig.	Ver.	COD. KOD.	DESCRIPCIÓN DENOMINAZIONE NAME	BEZEICHNUNG DESIGNATION	MOD.	NOTAS NOTES MITSCHRIFT NOTES
16A		00G05001061	TORNILLO VITE ATTACCO CARBURATORE INLET MANIFOLD SECURING SCREW	BEF.-SCHRAUBE VERGASER-ANSAUGS BOUL.SERRAGE BUSE CARBUR.H	3 4 5 6	
17A		00026006001	TUERCA DADO NUT	MUTTER ECROU	3 4 5 6	
18A		00G01500951	TOPE GOMA APPOGGIO ZAMPA CAVALLETO SIDE STAND REST	GUMMISTOPPEL APPUI BEQUILLE LATERALE	3 4 5 6 7 8 9 A B C	

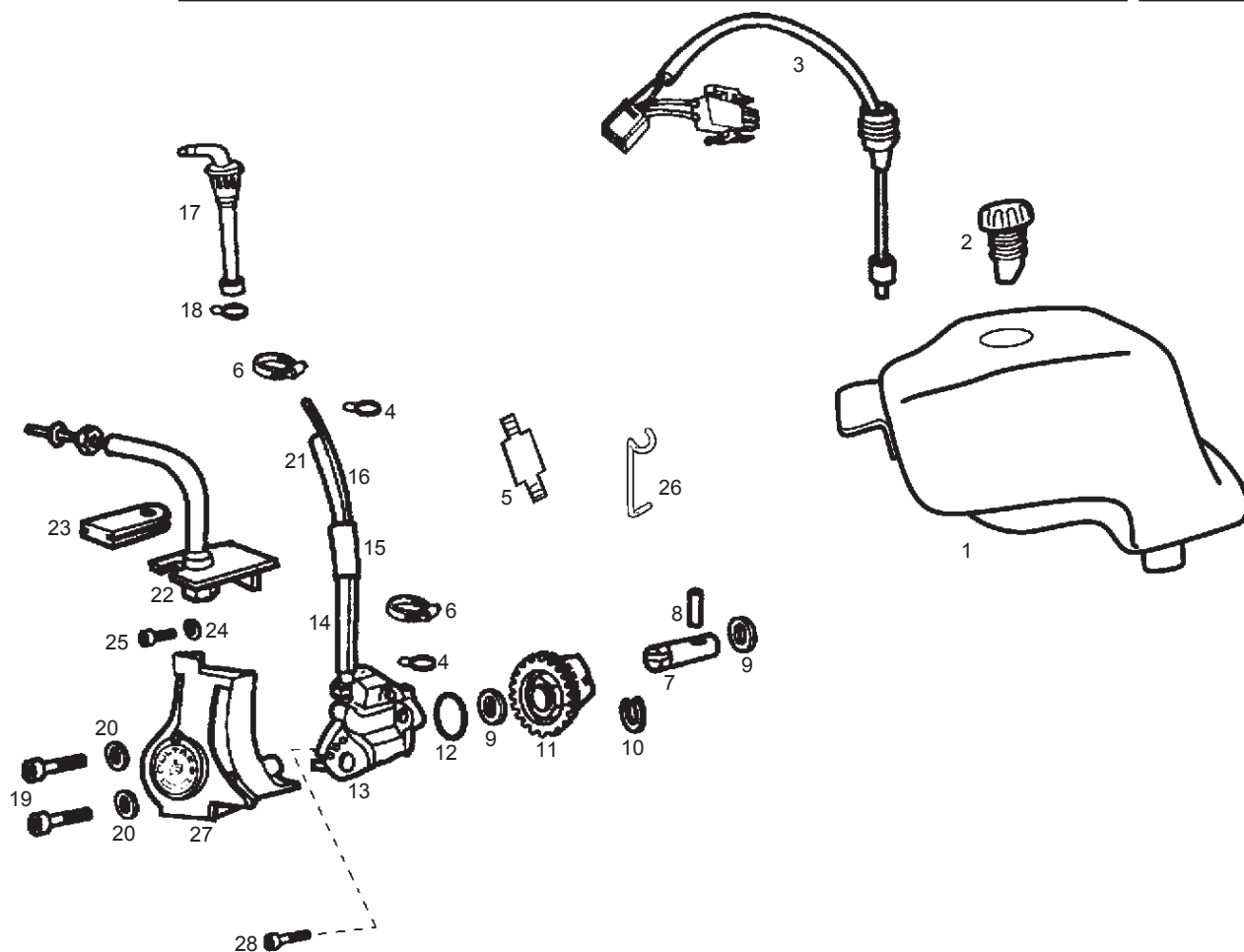


Fig.	Ver.	COD. KOD.	DESCRIPCIÓN DENOMINAZIONE NAME	BEZEICHNUNG DESIGNATION	MOD.	NOTAS NOTES NOTA MITSCHRIFT NOTES
01A		00H03704081	SCTO.DEPOSITO ACEITE. SUBSERBATOIO OLIO SE OIL, TANK	OILTANK RESERVOIR D,HUILE	1 2 3 4 5 6 7 8 9 A B C	
02A		00F03710241	CTO.TAPON DEPTO.ACTE.SCO/90. TAPPO SERBATOIO OLIO OIL RESERVOIR FILLER PLUG ASSY	STOPFEN OELTANK ENS. BOUCHON RESERV.HUILE S	1 2 3 4 5 6 7 8 9 A B C	
03A		00H03703051	CTO. INDICAD. NIVEL ACEITE TAPPO SERBATOIO OLIO OIL RESERVOIR FILLER PLUG ASSY	OLSTANDSGEBER NIVEAU D#HUILE	1 2 3 4 5 6 7 8 9 A B C	
04A		00D03700131	ABRAZ.ELAST.TUBO GAS. FASCETTA ELASTICA TUBO BENZINA FUEL PIPE ELASTIC CLAMP	ELAST.KLAMMER GASLEITUNG CRAMPON ELASTIQUE TUBE ESSE	1 2 3 4 5 6 7 8 9 A B C	
05A		00G03701031	RACOR UNION TUBOS ACEITE RACCORDO UNIONE BREATHER	BREATHER RACCORD ENTREE DIHUILE	1 2 3 4 5 6 7 8 9 A B C	
06A		00H03700211	BRIDA FIJ.TUBO ACT.A BOQ. GHIERA FISSAGGIO TUBO OLIO AD COLLAR OIL FLEXIBLE TUBE	BEF.-SHELLE BRIDE TUYAU D4HUILE	1 2 3 4 5 6 7 8 9 A B C	
07A		00H03700101	EJE BOMBA ACEITE.74/80CC. ASSE POMPA OLIO 74/80CC PUMPOIL AXLE	OLPUMPUNACHSE AXE DE POMPE D,HUILE	1 2 3 4 5 6 7 8 9 A B C	
08A		00053030000	PASAD.SUJ.ESPIR.3.-X20.D-7343. CHIAVISTELLO SOSTEGNO SPIRALE FORK PIN	STIFT GOUDILLE	1 2 3 4 5 6 7 8 9 A B C	
09A		00H05000281	ARAND.TOPE PIÑON INTERMD.74/80 RONDELLA FERMO PIGNONE INTERM. THRUST PLATE	SCHEIBE RONDELLE DE BUTEE	1 2 3 4 5 6 7 8 9 A B C	
10A		00000047110	ANILLO SEG.EJES D10.DIN-471. ANELLO SICUREZZA ASSI D10 D-47 CIRCLIP, BRAKE SHOE RETENTION	SEEGERRING CIRCLIP POUR AXE D10	1 2 3 4 5 6 7 8 9 A B C	
11A		00H03800381	PIÑON BOMBAS AGUA /ACEITE 80 C.C. PIGNONE ACQUA/OLIO 80 C.C. PUMP OIL GEAR	ZAHNRAD PIGNON POMPE D,HUILE	1 2 3 4 5 6 7 8 9 A B C	

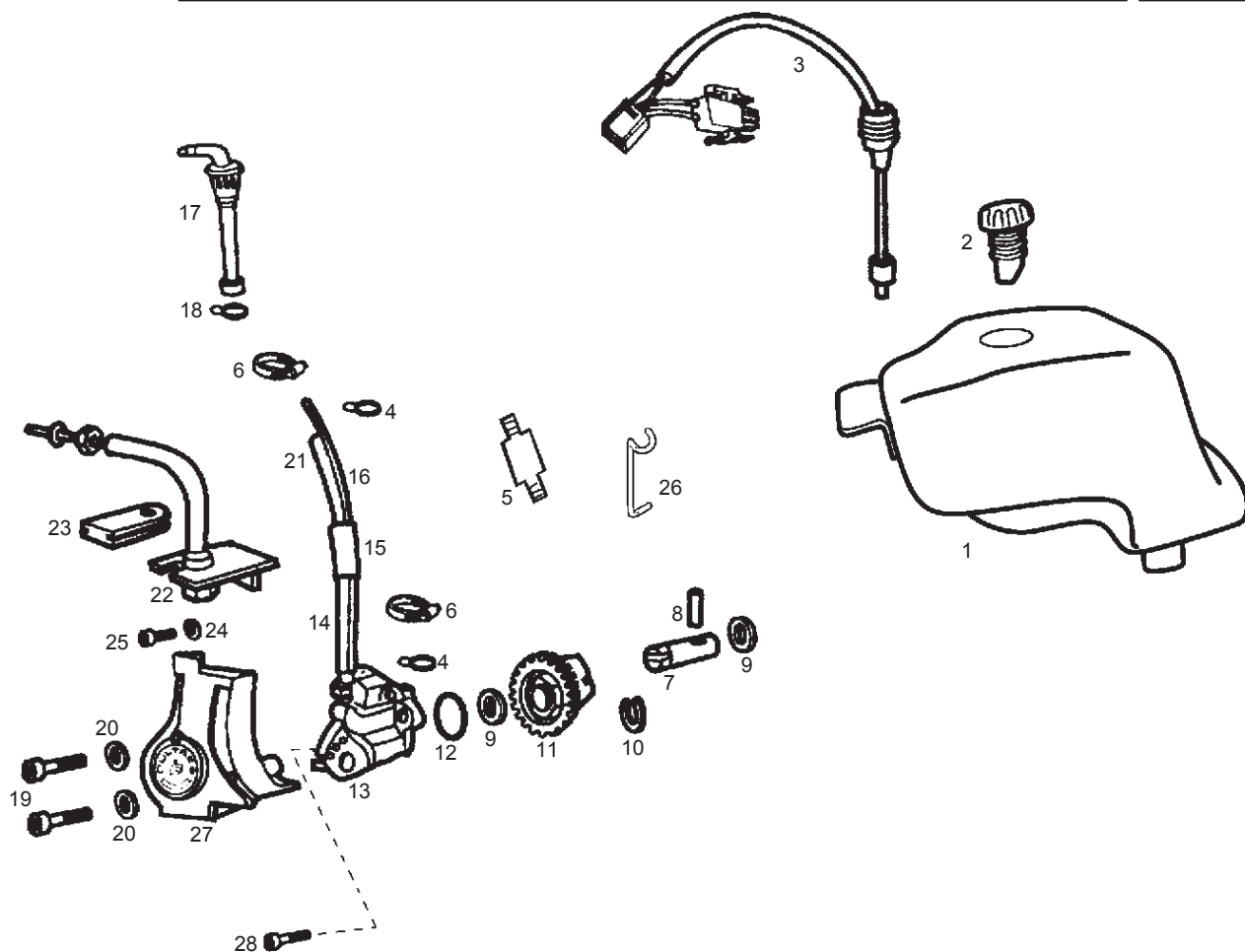


Fig.	Ver.	COD. KOD.	DESCRIPCIÓN DENOMINAZIONE NAME	BEZEICHNUNG DESIGNATION	MOD.	NOTAS NOTES NOTA MITSCHRIFT NOTES
12A		00H03701041	JUNTA TORICA BOMBA ACTE. GIUNTO TORICO POMPA OLIO O RING	RING PFROPFENSCHRAUBE JOINT	1 2 3 4 5 6 7 8 9 A B C	
13A		00H03701021	CTO.BOMBA ACEITE. POMPA OLIO OIL PUMP	OLPUMPE POMPE A HUILE	1 2 3 4 5 6 7 8 9 A B C	
14A		00H00400781	TUBO SALIDA DEP. ACEITE TUBO USCITA OLIO OIL FLEXIBLE PUMP TUBE	AUSGANGSROHR OLBEH TUYAU DIHUILE	1 2 3 4 5 6 7 8 9 A B C	
15A		00H03700351	MANGUITO UNION TUB.ACTE.74/80C MANICOTTO UNIONE TUBO OLIO 74/ OIL PIPE COUPLING CONNECTOR	VERBINDUNG MANCHON RACCORD TUYEAU DIHU	1 2 3 4 5 6 7 8 9 A B C	
16A		00H03701121	TUBO SALIDA ACTE.A BOQ.74/80CC TUBO USCITA OLIO A AD ATTACCO OIL FLEXIBLE PUMP TUBE TO ADAP	OLSCHLAUCH TUYAU DIHUILE	1 2 3 4 5 6 7 8 9 A B C	
17A		00H03701411	CTO.FILTRO ACEITE. FILTRO OLIO BY-PAS OIL FILTER	FILTER FILTRE A HUILE	1 2 3 4 5 6 7 8 9 A B C	
18A		00008204500	ABRAZ.FIJ.GRIFO FASCETTA ELASTICA CLAMP	BEF.-SCHELLE ENTRETOISE	1 2 3 4 5 6 7 8 9 A B C	
19A		00002054551	TOR.C/ALLEN.5M80X45.NEG.D-912. VITE TESTA ALLEN 5M80X45. HEX.SOCKET-HEAD SCREW5M80X45	INBUSSCHRAUBE VIS T. CREUSE	1 2 3 4 5 6 7 8 9 A B C	
20A		00000033050	ARAND.MUELLE. D.5.DIN-127-B. RONDELLA MOLLA D.5.DIN-127-B. SPRING WASHER D5 D127	SCHEIBE RONDELLE GROWER D5 D127	1 2 3 4 5 6 7 8 9 A B C	
21A		00F00403321	TUBO SALIDA.DPTO.ACTE. TUBO USCITA SERBATOIO OLIO SEN OIL FLEX, PUMP	AUSGANGSROHR OLBEH TUYAU DIHUILE	1 2 3 4 5 6 7 8 9 A B C	
22A		00H03700311	SCTO.SOPTE.GUIA CABLES.74CC. SUBSOSTEGNO GUIDA CA OIL CABLE, SUPPORT	HALTER F. KABELFUHRUNG SOUS-ENS SUPPORT CABLE HUIL	1 2 3 4 5 6 7 8 9 A B C	

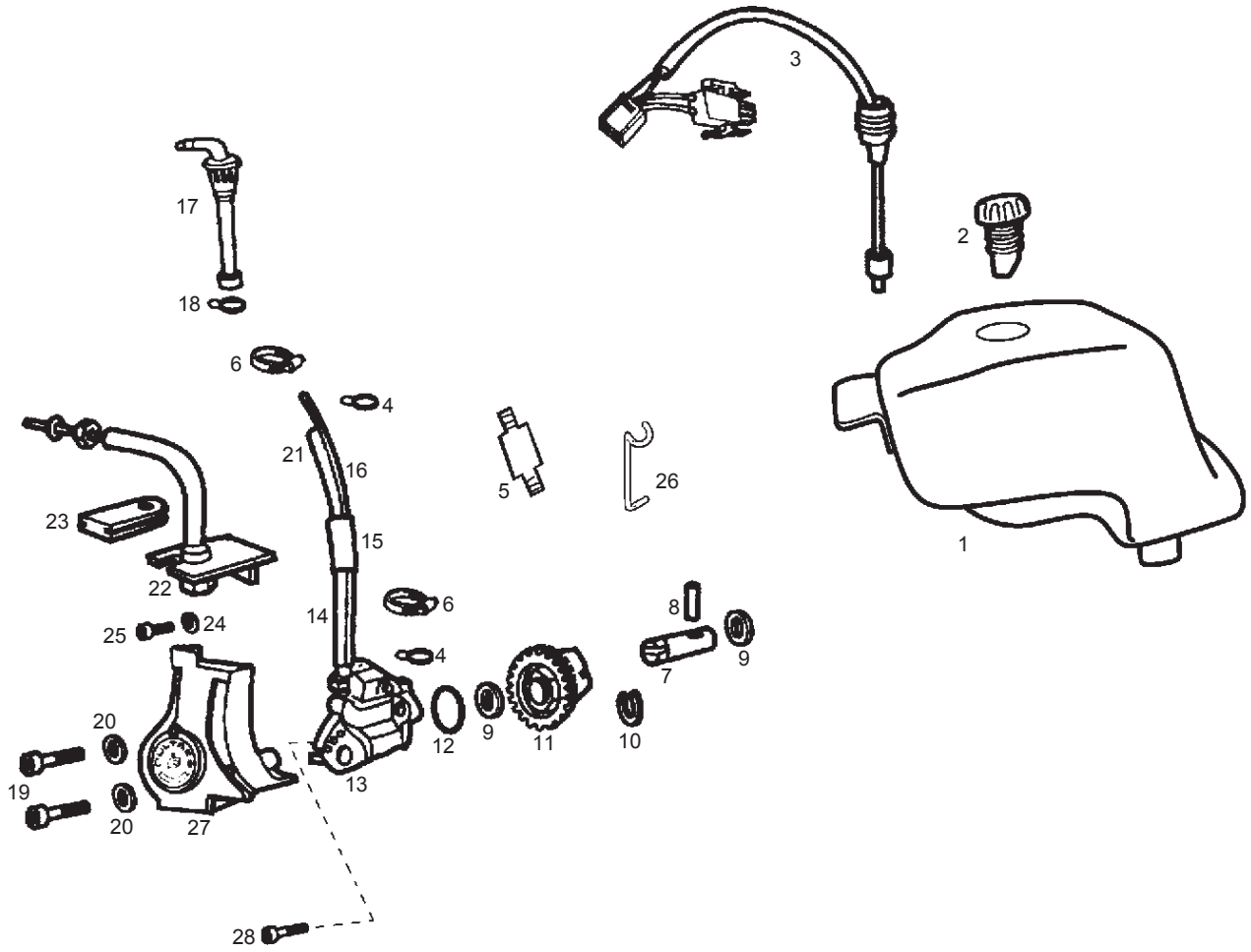


Fig.	Ver.	COD. KOD.	DESCRIPCIÓN DENOMINAZIONE NAME	BEZEICHNUNG DESIGNATION	MOD.	NOTAS NOTES NOTA MITSCHRIFT NOTES
23A		00H03700141	PASACAB.SAL.BOMBA ACTE.74/80CC PASSACAVI USCITA POMPA OLIO RUBBER	GUMMI CAOUTCHOUC	1 2 3 4 5 6 7 8 9 A B C	
24A		00000031050	ARAND.PLANA MEC.D.5.DIN125-B RONDELLA PIATTA D5 MACHINED FLAT WASHER D5	SCHEIBE D.5 DIN-125 ROND.PLATE MECANISEE D.5.DI	1 2 3 4 5 6 7 8 9 A B C	
25A		00000004510	TOR.C/ALLEN.5M80X10.DIN- VITE TESTA ALLEN 5M80X10 DIN- HEX.SOCKET-HEAD SCREW M5X10	SCHRAUBE VIS A TETE CREUSE 5M80X10	1 2 3 4 5 6 7 8 9 A B C	
26A		00H03700201	MUELLE MOLLA SPRING	FEDER RESSORT	2 3 5 6 8 9 B C	
27A		00H03701012	TAPA BOMBA ACEITE CORPECHIO POMPA OLIO OIL PUMP HOUSING COVER	ABDECKUNG COUVERCLE DE POMPE A HUILLE	1 2 3 4 5 6 7 8 9 A B C	
28A		00002051551	TOR.C/ALLEN 5M80X15 D912/8.8 VITE TESTA ALLEN 5M80X15. ALLEN SCREW M5X15	INBUSSCHRAUBE 5M80X15 D912 VIS T.CREUSE 5M80X15 D912/8	1 2 3 4 5 6 7 8 9 A B C	

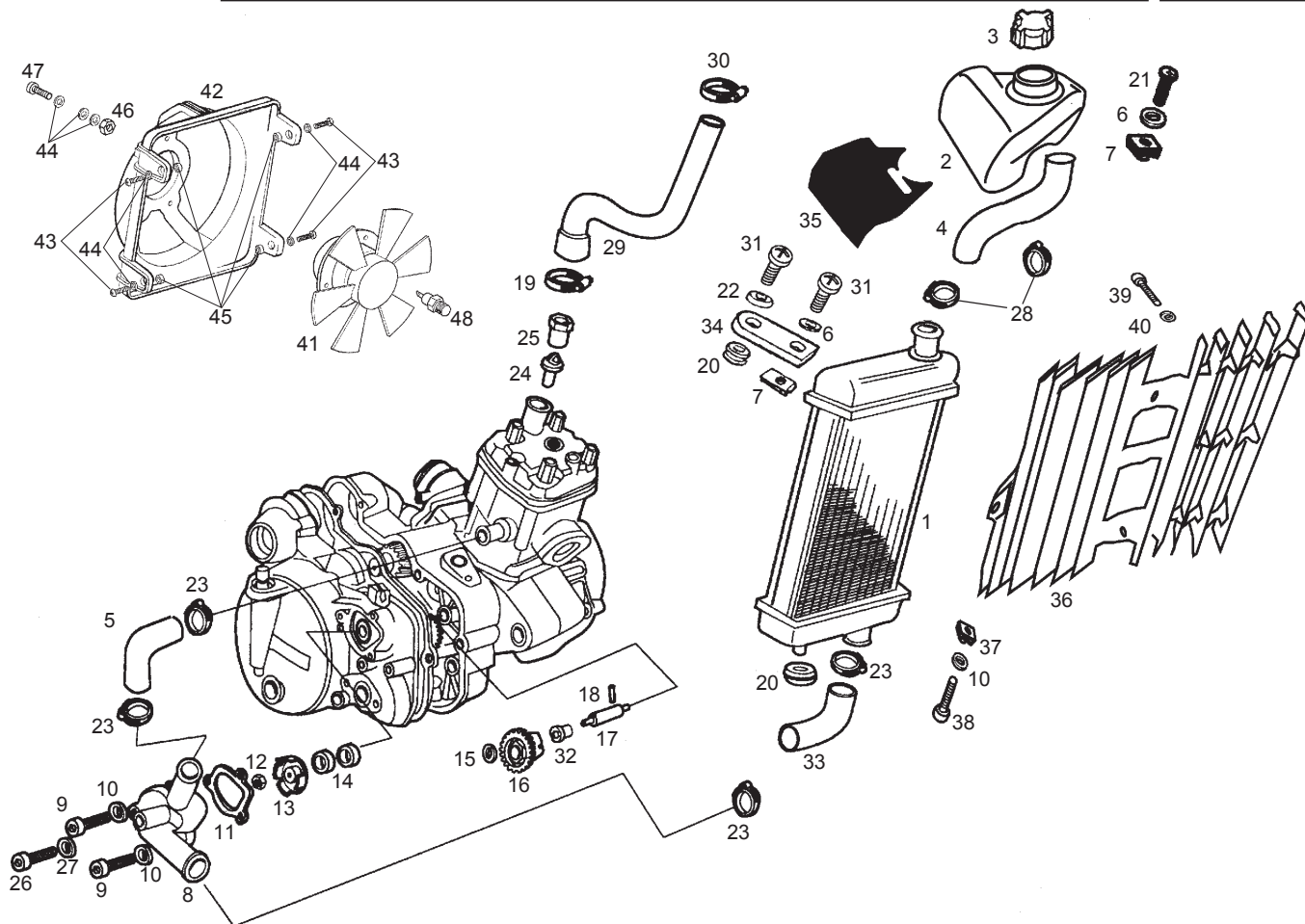


Fig.	Ver.	COD. KOD.	DESCRIPCIÓN DENOMINAZIONE NAME	BEZEICHNUNG DESIGNATION	MOD.	NOTAS NOTES NOTA MITSCHRIFT NOTES
01A		00H03805011	SCTO.RADIADOR SUBRADIATORE RADIATOR ASSY.	RADIATOR ASSY. RADIATEUR	1 2 4 5 7 8 A B	
01B		00H03806011	SCTO.RADIADOR SUBRADIATORE RADIATOR ASSY.	RADIATOR ASSY. RADIATEUR	3 6 9 C	
02A		00H03802501	DEPOSITO AGUA RADIADOR. SERBATOIO ACQUA RADIATORE WATER TANK	WASSERBEHALTER VASE DIEXPANSION	1 2 3 4 5 6 7 8 9 A B C	
03A		00H03802471	CTO.TAPON RADIAD/DEP.AG. TAPPO RADIATORE/SERBATOIO WATER RESERVOIR/RAD CAP ASSY	KUEHLERDECKEL BOUCHON DE RESERVOIR D,EAU	1 2 3 4 5 6 7 8 9 A B C	
04A		00G03800601	TUBO REFR.BOMBA-RADIAD. TUBO REFRIGERAZIONE POMPA-RADI RADIATOR PUMP RUBBER TUBE	KUHLMITTELSCHLAUCH PUMPE K TUBE POMPE-RADIATEUR	1 2 3 4 5 6 7 8 9 A B C	
05A		00H03801041	TUBO REFR.BOMBA-CILIND. TUBO REFRIGERAZIONE PUMP CYLINDER RUBBER TUBE	KUHLMITTELSCHLAUCH PUMPE-Z TUBE POMPE-CYLINDRE	1 2 3 4 5 6 7 8 9 A B C	
06A		00D01200171	ARAND.EJE LEVA-FIJ.CUBRECAD. RONDELLA WASHER	SCHEIBE RONDELLE	1 2 3 4 5 6 7 8 9 A B C	
07A		00D01501371	TCA.FIJ.CUBRECAD.212827 DADO FISSAGGIO NUT	MUTTER ECROU	1 2 3 4 5 6 7 8 9 A B C	
08A		00H03800134	TAPA BOMBA AGUA COPERCHIO POMPA ACQUA 74/80CC WATER PUMP COVER	DECKEL F. WASSERPUMPE COUVERCLE DE POMPE D,EAU	1 2 3 4 5 6 7 8 9 A B C	
09A		00002052051	TOR.C/ALLEN 5M80X15 D912/8.8NG VITE TESTA ALLEN 5M80X15. ALLEN SCREW M5X15	INBUSSCHRAUBE 5M80X15 D912 VIS T.CREUSE 5M80X15 D912/8	1 2 3 4 5 6 7 8 9 A B C	
10A		00000031050	ARAND.PLANA MEC.D.5.DIN125-B RONDELLA PIATTA D5 MACHINED FLAT WASHER D5	SCHEIBE D.5 DIN-125 ROND.PLATE MECANISEE D.5.DI	1 2 3 4 5 6 7 8 9 A B C	

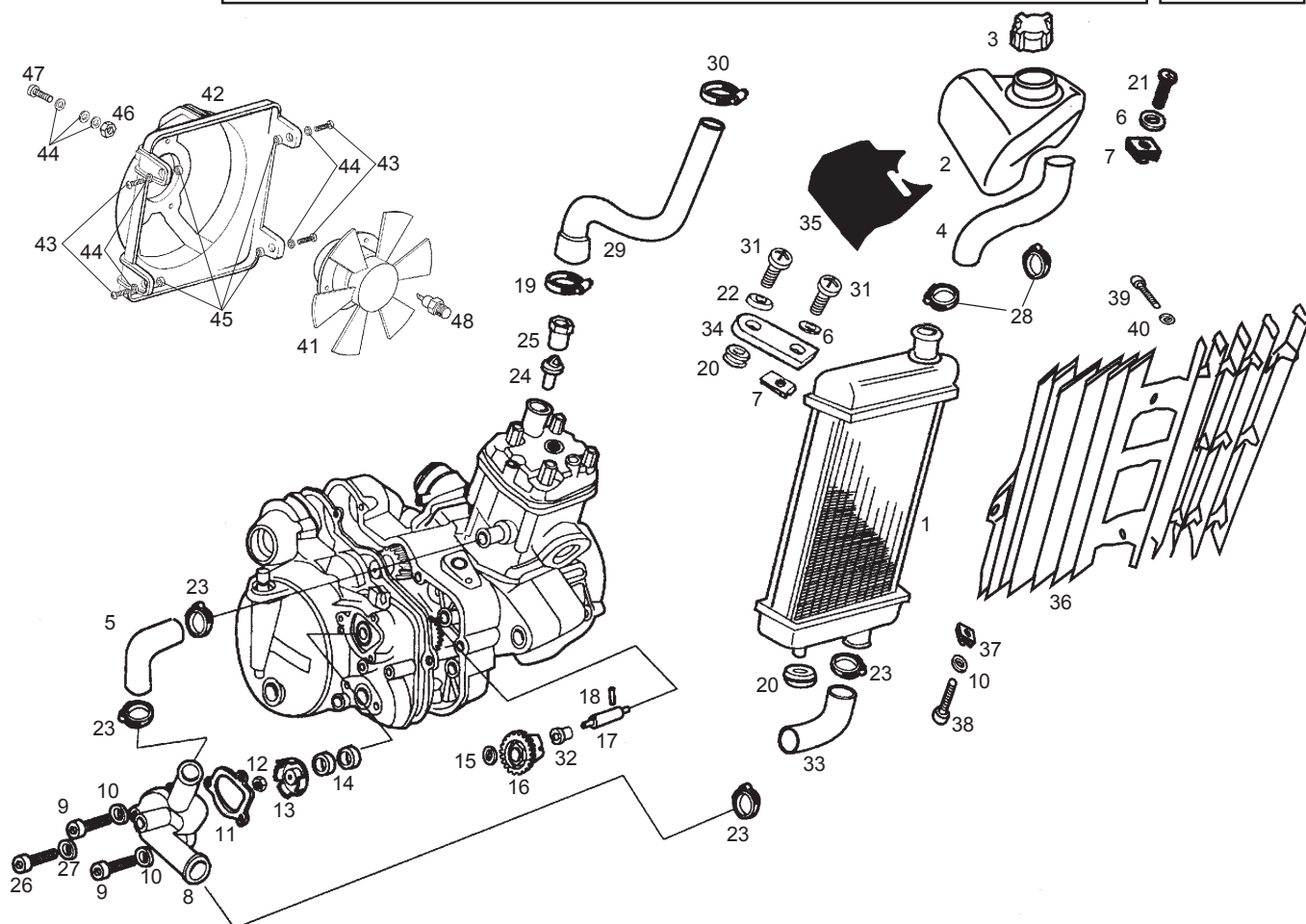


Fig.	Ver.	COD. KOD.	DESCRIPCIÓN DENOMINAZIONE NAME	BEZEICHUNG DESIGNATION	MOD.	NOTAS NOTES NOTA MITSCHRIFT
11A		00H03800141	JUNTA TAPA BOMBA AGUA GUARNIZIONE COPERCHIO POMPA AC GASKET	DICHTUNG F. WASSERPUMPENDE JOINT POMPE EAU	1 2 3 4 5 6 7 8 9 A B C	
12A		00M03800221	TCA.5M80 DE LATON DADO 5M80 OTTONE NUT	MUTTER ECROU	1 2 3 4 5 6 7 8 9 A B C	
13A		00H03800151	RODETE BOMBA AGUA ROCCHETTO POMPA ACQUA 80CC WATER PUMP ROLLER	LAUFER F. WASSERPUMP CHIGNON POMPE D,EAU	1 2 3 4 5 6 7 8 9 A B C	
14A		00H03810211	RETEN EJE BOMBA AGUA 10X24X6 GIUNTO TENUTA POMPA ACQUA 10X2 SEAL, WATER PUMP	DICHTRING BUTEE POMPE A EAU (UNITE)	1 2 3 4 5 6 7 8 9 A B C	
15A		00H05000281	ARAND.TOPE PIÑON INTERMD. RONDELLA FERMO PIGNONE INTERM. THRUST PLATE	SCHEIBE RONDELLE DE BUTEE	1 2 3 4 5 6 7 8 9 A B C	
16A		00H03800381	PIÑON BOMBAS AGUA/ACEITE PIGNONE POMPE ACQUA/OLIO 80CC PUMP OIL GEAR	ZAHNRAD PIGNON POMPE D,HUILLE	1 2 3 4 5 6 7 8 9 A B C	
17A		00H03800161	EJE BOMBA AGUA ASSE POMPA ACQUA 74/80CC WATER-PUMP SHAFT	WASSERPUMPENACHSE AXE POMPE D,AEU	1 2 3 4 5 6 7 8 9 A B C	
18A		00053030000	PASAD.SUJ.ESPIR.3.-X20.D-7343. CHIAVISTELLO SOSTEGNO SPIRALE FORK PIN	STIFT GOUDILLE	1 2 3 4 5 6 7 8 9 A B C	
19A		00H03800451	ABRAZ.GRIFO GASOL.D20 FASCETTA RUBINETTO BENZINA .D2 PETROL VALVE CLAMP	BEF. SCHELLE COLLIER	1 2 3 4 5 6 7 8 9 A B C	
20A		00008915020	PROTECCION CABLES. PROTEZIONE CAVI RUBBER,CABLE PROTECTOR	GUMMI PASSE-CABLE	1 2 3 4 5 6 7 8 9 A B C	
21A		00012161600	TOR.C/RED.CRUIZ.6M100X16.DIN- VITE TONDO CROCE .6M100X16.DIN SCREW,6M100X16	SCHRAUBE 6M100X16 D-7985 VIS T.CROIX NOIR 6M100X16 D	1 2 3 4 5 6 7 8 9 A B C	

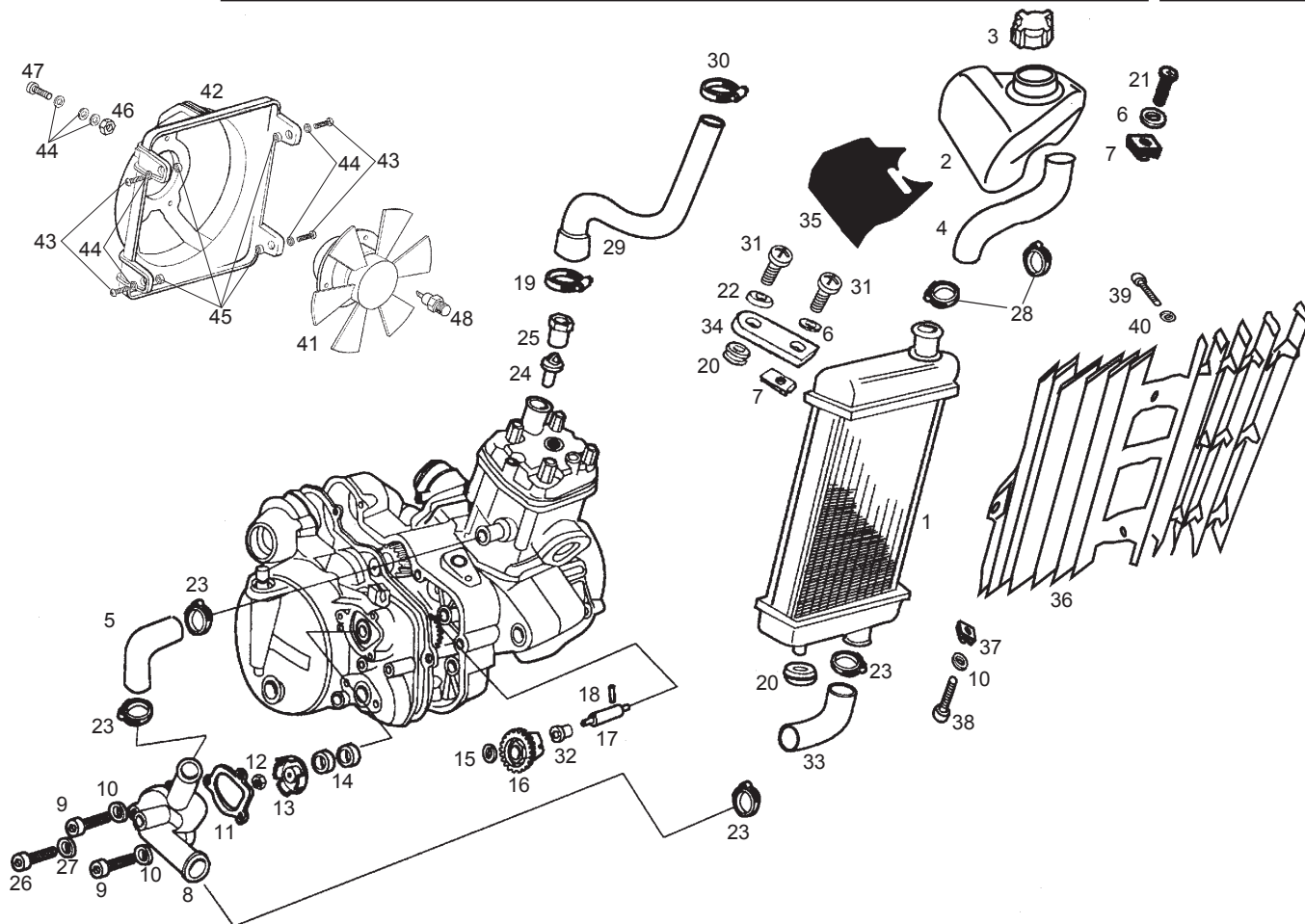


Fig.	Ver.	COD. KOD.	DESCRIPCIÓN DENOMINAZIONE NAME	BEZEICHNUNG DESIGNATION	MOD.	NOTAS NOTES NOTA MITSCHRIFT NOTES
22A		00D01500552	CAZLTA.FIJ.SILENC. SCADELLINO FISSAGGIO HOUSING EXHAUST PIPE SUPPORT	ABDECKSCHEIBE CUVETTE	1 2 3 4 5 6 7 8 9 A B C	
23A		00H03800751	ABRAZ.FIJ.MANG.A CILINDRO D21 FASCETTA FISSAGGIO TUBO COBRA CLAMP	BEF.-SHELLE COLLIER COBRA 21/8 W4	1 2 3 4 5 6 7 8 9 A B C	
24A		00H03800431	TERMOSTATO TERMOSTATO.74/80CC. TERMOSTATE.	THERMOSTAT THERMOSTAT	1 2 3 4 5 6 7 8 9 A B C	
25A		00H03810421	TCA.FIJ.TERMOSTATO DADO FISSAGGIO TERMOSTATO GP NUT	MUTTER ECROU	1 2 3 4 5 6 7 8 9 A B C	
26A		00002051251	TOR.C/ALLEN 5M80X12 VITE TESTA ALLEN 5M80X12 ALLEN SCREW M5X12	INBUSSCHRAUBE 5M80X12 VIS A TETE CREUSE 5M80X12 N	1 2 3 4 5 6 7 8 9 A B C	
27A		00H03800441	ARAND.TOR.VACIADO AGUA RONDELLA VITE SVUOTAMENTO ACQU WASHER	SCHEIBE RONDELLE	1 2 3 4 5 6 7 8 9 A B C	
28A		00G03801701	ABRAZ.FIJ.MANG.RADIAD.D25 FASCETTA FISSAGGIO MANICA RADI CLAMP FASTERING RADIATOR BUSHI	OIL TANK FLANGE TUBE BRIDE TUBE RESPIRATION RÏSERVO	1 2 3 4 5 6 7 8 9 A B C	
29A		00H03804021	TUBO CULATA-RADIADOR TUBO TESTATA-RACCORDO TERMOCON CYLINDER HEAD PIPE-TERMOCONTAC	WASSERSCHLAUCH TUBE	1 2 3 4 5 6 7 8 9 A B C	
30A		00008204500	ABRAZADERA FIJ. 16-27 FLANGIA FISSAGGIO SECURING CLAMP	BEF.-SHELLE COLLIER COBRA 21/8 W4	1 2 3 4 5 6 7 8 9 A B C	
31A		00092061214	TOR.C/R.CR.6M100X12.NG.D-7985. VITE TONDO CROCE 6M100X12 SCREW M6X12	SCHRAUBE.6M100X12.NG.D-798 VIS A TETE RONDE A FENTES C	1 2 3 4 5 6 7 8 9 A B C	
32A		00H03800231	CASQ.EJES BOMBAS GHIERA ASSI POMPE 74 CC PUMP SHAFT BUSHING 74CC	BUCHSE PUMPENACHSEN DOUILLES AXES POMPES	1 2 3 4 5 6 7 8 9 A B C	

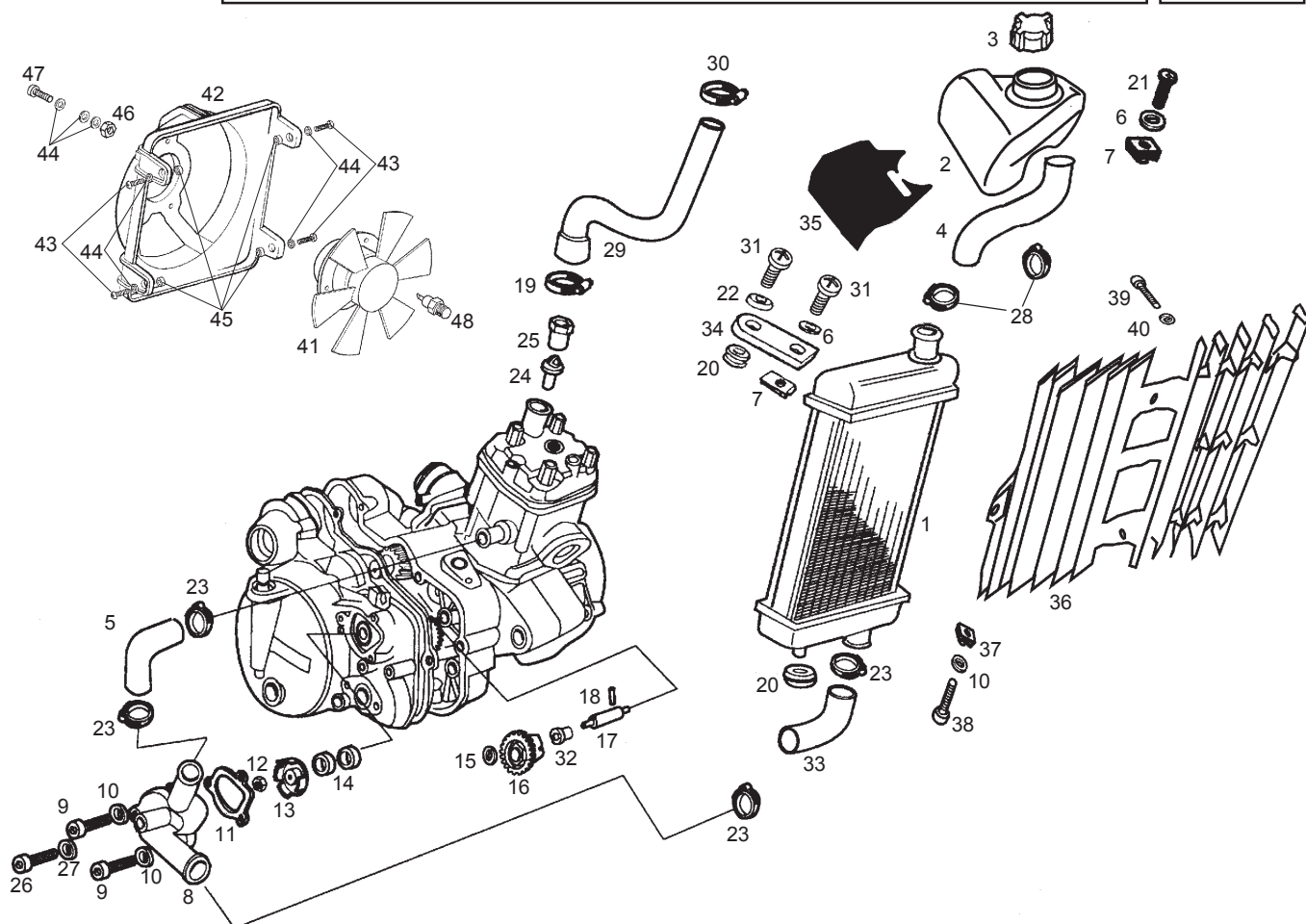


Fig.	Ver.	COD. KOD.	DESCRIPCIÓN DENOMINAZIONE NAME	BEZEICHUNG DESIGNATION	MOD.	NOTAS NOTES NOTA MITSCHRIFT NOTES
33A		00H03802031	TUBO REFR.BOMBA-RADIADOR TUBO REFRIGERAZIONE POMPA-RADI RADIATOR PUMP RUBBER TUBE	KUHLMITTELSCHLAUCH PUMPE K TUBE POMPE-RADIATEUR	1 2 3 4 5 6 7 8 9 A B C	
34A		00G02200692	OREJA SUP. SOPTE. RADIADOR PIASTRA SUPPORTO SUPERIORE UPPER RADIATOR SUPPORT	OESE KUEHLERBLOCK OREILLE SUPERIEURE SUPPORT RAD	1 2 3 4 5 6 7 8 9 A B C	
35A		00H03801711	CALCA DEPOSITO AGUA ADESIVO DECAL	SCHRIFTZUG ADHESIF	1 2 3 4 5 6 7 8 9 A B C	
36A		00H03805301	REJILLA RADIADOR GRIGLIA RADIATORE RADIATOR GRID	RADIATOR RADIATEUR	1 2 3 4 5 6 7 8 9 A B C	
37A		00G04401462	TCA.FIJ.CUBRECAD.212827 DADO FISSAGGIO NUT	MUTTER ECROU	1 2 3 4 5 6 7 8 9 A B C	
38A		00012151500	TOR.C/RED.ALL.5M100X16.D7380 VITE T/TON.BRUGO.6M100X16.D738 ALLEN ROUND HEAD SCREW 6M100X1	SCHRAUBE 5M8OX16.D7985NG VIS A TETE RONDE A FENTES C	1 2 3 4 5 6 7 8 9 A B C	
39A		00011141300	TOR.AUT.C/CR.NG.4,8X13.D-7981B VITE AUTOFILETTANTE TESTA CROC SCREW, SELF TAPPING 4.8MM13	SCHRAUBE BOULON	1 2 3 4 5 6 7 8 9 A B C	
40A		00D02600631	ARAND.TOPE MUELLE EMBRAGUE RONDELLA WASHER	SCHEIBE RONDELLE	1 2 3 4 5 6 7 8 9 A B C	
41A		00H05701551	CTO. ELECTROVENTILADOR COMPLESSO ELEVTROVENTOLA ELECTROVENTILATOR	VENTILATOR VENTILATEUR	3 6 9 C	
42A		00H06803031	TAPA ELECTROVENTILADOR COPERCHIO ELETROVENTOLA RADIATOR-ELECTROVENTILATOR COV	VENTILATORABDCKUNG CACHE VENTILATEUR	3 6 9 C	
43A		00011131300	TORNILLO VITE AUTOAVV.T/CROCE SELF TAPPING SCREW 3.5X13	SCHRAUBE VIS 3,5X13 D-7981B	3 6 9 C	

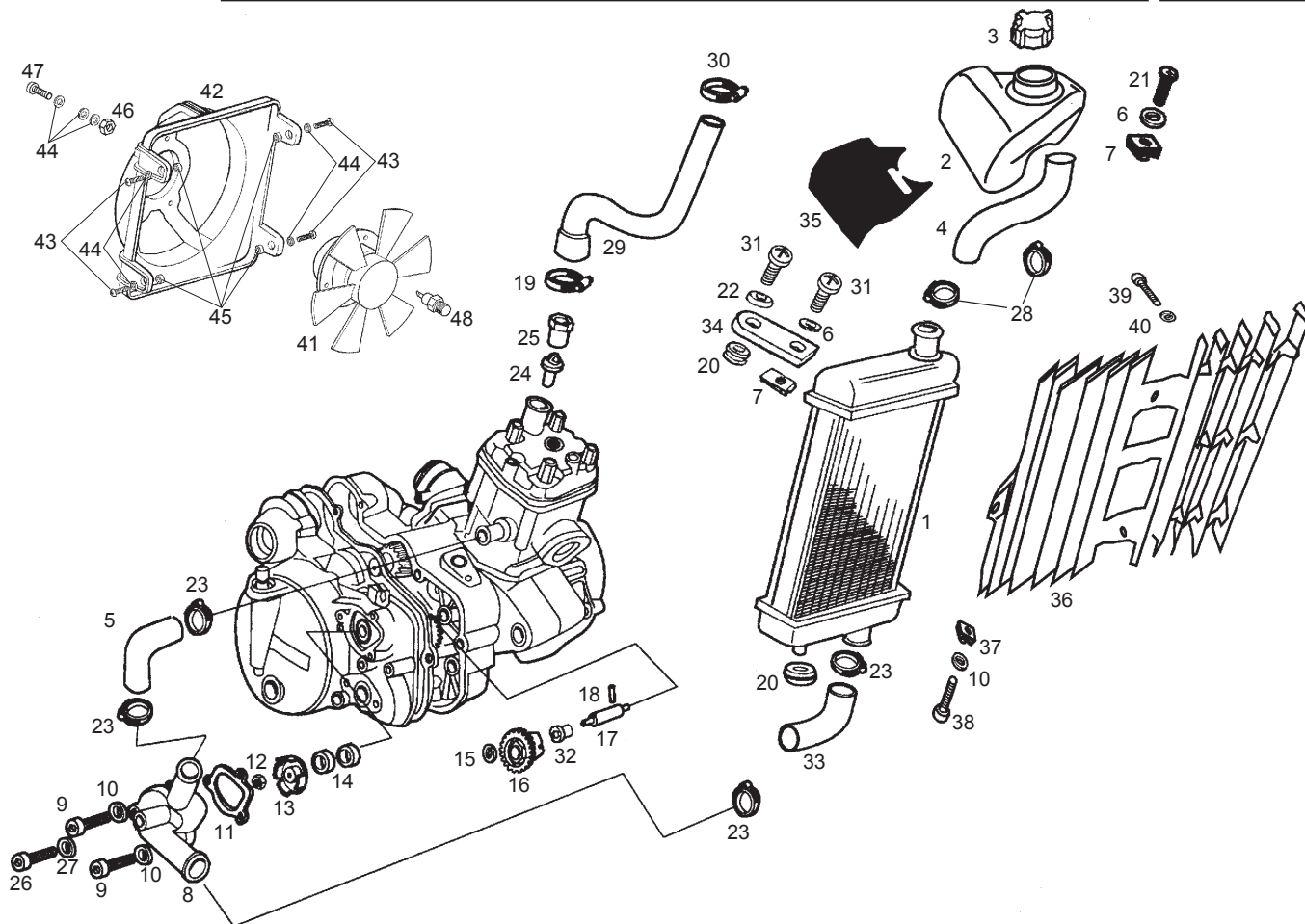


Fig.	Ver.	COD. KOD.	DESCRIPCIÓN DENOMINAZIONE NAME	BEZEICHNUNG DESIGNATION	MOD.	NOTAS NOTES NOTA MITSCHRIFT NOTES
44A		0000031040	ARANDELA RONDELLA PIATTA MECCANIZZATA D MACHINED FLAT WASHER D4	SCHEIBE D.4 RONDELLE PLATE MECANISEE D4 NO	3 6 9	C
45A		00H06801061	SEPARADOR GHIERA DESTRA FISSAGGIO COPER. BUSHING RIGHT ELECTROVENTIL	BUCHSE DOVILLE	3 6 9	C
46A		00000023040	TUERCA AUTOBLOCANTE DADO AUTOBOCCANTE 4M70 DIN-98 SELF LOCKING NUT 4M70	MUTTER SELBSTS ECROU INDESSERABLE 4M70	3 6 9	C
47A		00000002420	TORNILLO VITE TONDO CROCE 4M70X20 D7985 N ROUNDHEAD PHILIPS SCREW 4MM	SCHRAUBE VIS T.RON CROIX 4M70X20 D7985N	3 6 9	C
48A		00G03800741	TERMOCONTACTO TERMOCONTATTO ELETTROVENTOLA THERMOCONTACT ELECTROVENTILATO	THEMPERATURFUHLER THERMOCONTACTEUR	3 6 9	C

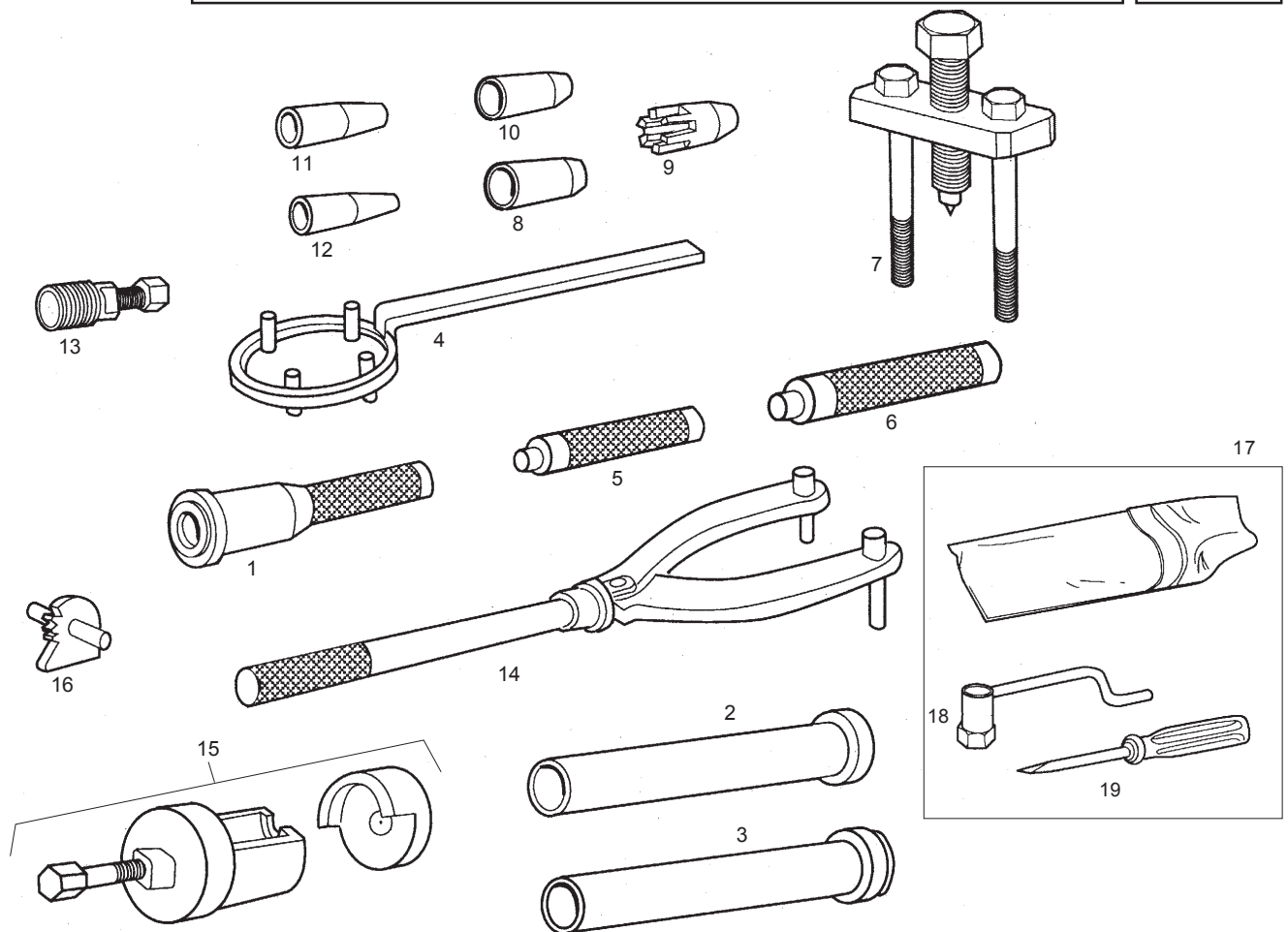


Fig.	Ver.	COD. KOD.	DESCRIPCIÓN DENOMINAZIONE NAME	BEZEICHNUNG DESIGNATION	MOD.	NOTAS NOTES NOTA MITSCHRIFT NOTES
01A		00H05400451	R-PUNZON MONT.RETENES CIGÜEÑAL R-PUNTERUOLO MONTAGGIO GIUNTI PUNCH FIXING CRANKCASE SEAL	DURCHSCHLAG OUTIL MONTAGE ANNEAU AXE VI	1 2 3 4 5 6 7 8 9 A B C	
02A		00H05400581	R-UTIL MONTAR RETEN EJE ARRQ. UTENSILE MONTAGGIO GIUNTI TENU TOOLS FOR FIXING IN STARTING	MONTAGEHULSE OUTIL MONTAGE ANNEAU AXE DE	1 2 3 4 5 6 7 8 9 A B C	
03A		00H05401561	R-UTIL MONT.RETEN EJE SELECT. R-UTILE MONTAGGIO GIUNTO TENUT TOOL FOR FIXING SEAL IN SELEC	MONTAGEHULSE OUTIL MONTAGE ANNEAU AXE SE	1 2 3 4 5 6 7 8 9 A B C	
04A		00H05300041	R-CTO.UTIL.FIJ.CAMPNA EMBG. R-UTILE FISSAGGIO CA CLUTCH HOUSING HOLDER	BEF.-WKZG.KUPPLUNGSGLOCKE OUTIL FIXATION EMBRAYAGE	1 2 3 4 5 6 7 8 9 A B C	
05A		00H05600251	R-UTIL MONT.CASQ.AGUJ.PIÑ.INTM R-UTILE MONTAGGIO GHIERA FORO TOOLS FOR FIXING BUSHING NEEDL	MONTAGEHULSE OUTIL MONTAJE	1 2 3 4 5 6 7 8 9 A B C	
06A		00H05600241	R-UTIL MONT.CASQ.AGUJ.EJE 1P. R-UTILE MONTAGGIO GHIERA FORO TOOLS FOR FIXING BUSHING NEEDL	MONTAGEHULSE OUTILLAGE MONTAGE DOUILLE A	1 2 3 4 5 6 7 8 9 A B C	
07A		00H05300151	R-CTO.UTIL.ABRIR MOTOR R-UTILE APRIRE MOTOR TOOLS OPEN ENGINE ASSY	WKZG.Z.MOTOR OFFNEN ENSEMBLE OUTILLAGE OUVRIR M	1 2 3 4 5 6 7 8 9 A B C	
08A		00H05300841	CASQ. GUIA RETEN CIGÜEÑAL R-UTILE APRIRE MOTOR TOOLS OPEN ENGINE ASSY	WKZG.Z.MOTOR OFFNEN ENSEMBLE OUTILLAGE OUVRIR M	1 2 3 4 5 6 7 8 9 A B C	
09A		00H05600351	PIVOTE GUIA RET.EJE SECUND. PERNO GUIDA GIUNTO TENUTA ASSE PIVOT GUIDE SECONDARY AXEL,S	FUHRUNGSZAPFEN PIVOT GUIDE JOINT AXE SECON	1 2 3 4 5 6 7 8 9 A B C	
10A		00H05600341	PIVOTE GUIA RET.EJE ARRQ. PERNO GUIDA GIUNTO TENUTA ASSE PIVOT GUIDE STARTING AXEL,S SE	FUHRUNGSZAPFEN PIVOT GUIDE JOINT AXE DEMAR	1 2 3 4 5 6 7 8 9 A B C	
11A		00H05600331	PIVOTE GUIA RET.EJE DESEMB. PERNO GUIDA GIUNTO TENUTA ASSE PIVOT GUIDE SEAL OF CLUTCH REL	FUHRUNGSZAPFEN PIVOT GUIDE JOINT AXE DEBRA	1 2 3 4 5 6 7 8 9 A B C	

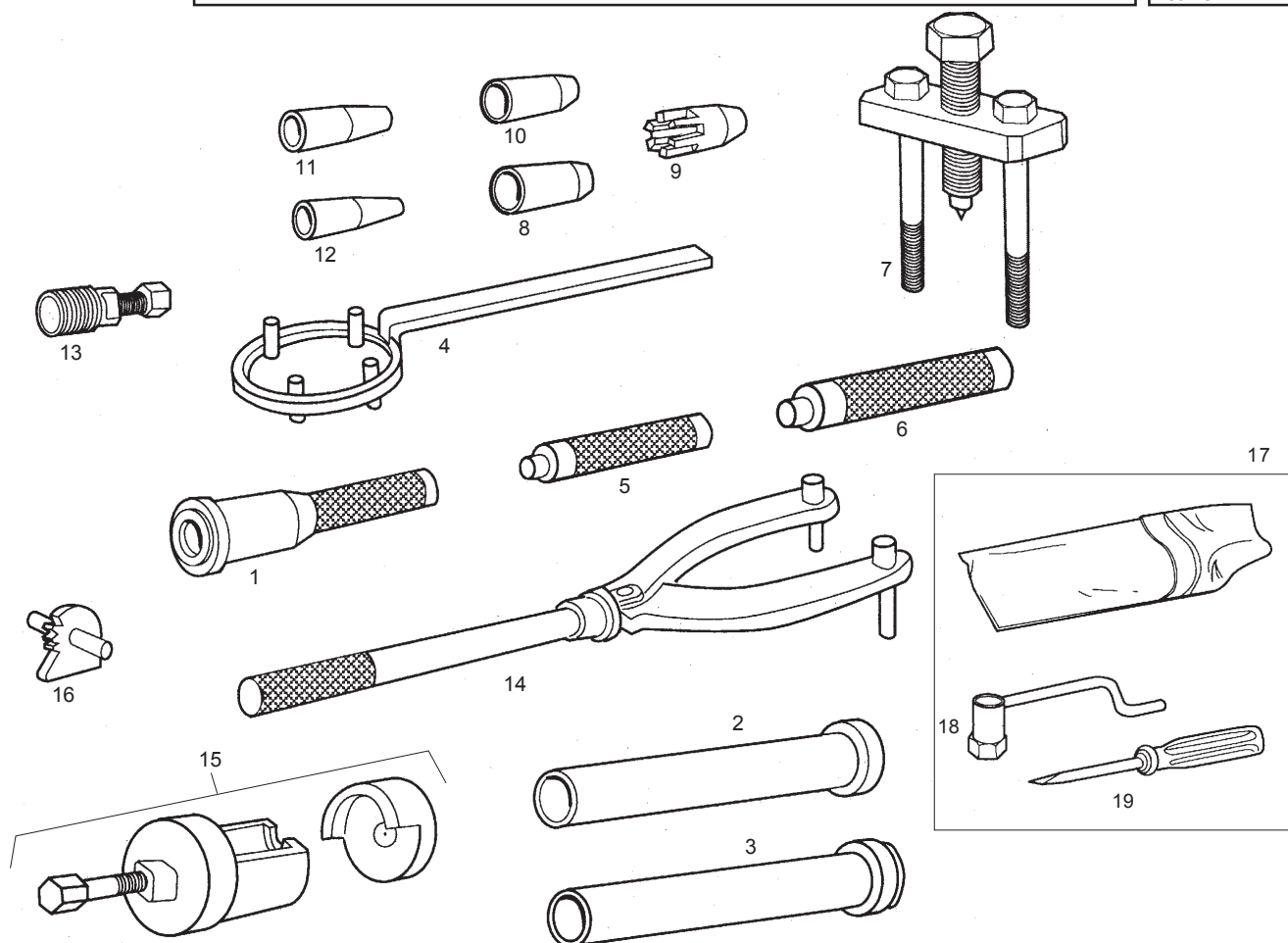


Fig.	Ver.	COD. KOD.	DESCRIPCIÓN DENOMINAZIONE NAME	BEZEICHNUNG DESIGNATION	MOD.	NOTAS NOTES NOTA MITSCHRIFT NOTES
12A		00H05600261	PIVOTE GUIDA RET.EJE BOMBA AGUA PERNO GUIDA GIUNTO TENUTA ASSE PIVOT GUIDE SEAL WATER PUMP	FUHRUNSZAPFEN PIVOT GUIDE JOINT POMPE D,E	1 2 3 4 5 6 7 8 9 A B C	
13A		00F05300021	EXTRAC.VOLTE.ELECTR.DCT.SCO-50 ESTRATTORE VOLANO E FLYWHEEL ELECTR. EXTRACTOR	ABZIEHER EXTRACTEUR DE VOLANT	1 2 3 4 5 6 7 8 9 A B C	
14A		00G05300011	CTO. UTIL DESMTAR.VOLTE.ELECTR. CHIAVE VOLANO MAG/CAMPANA FR. MAGNETO EXTRACTOR TOOL	WERKZEUG Z.DEMONTAGE ELEKT ENS.UTIL DEMONTER VOLANT E	1 2 3 4 5 6 7 8 9 A B C	
15A		00H05600321	CTO. EXTRACTOR ESTRATTORE PIGNONE COUNTERWEIGHT SPROKET PULLER	RITZELHALTER ESSEMBLE EXTRACTEUR PIGNON	1 2 3 4 5 6 7 8 9 A B C	
16A		00H05600231	R-SCTO. EJE PIÑON CONTRAPESO R-SUBASSE PIGNONE COUNTERWEIGHT SPROKET AXLE	BEF.-ACHSEF.RITZEL ENSEMBLE AXE PIGNON CONTREP	1 2 3 4 5 6 7 8 9 A B C	
17A		00H05101561	CTO. BOLSA HERRTAS. SACCO FERRI TOOL POUCH	WERKZEUGTASCHE TROUSSE A OUTILS	1 2 3 4 5 6 7 8 9 A B C	
18A		00H05100011	SCTO. LLAVE BUJIA AGUA SUBCHIAVE CANDELA SE SPARK PLUG	ZUND KERZENSCHLUSSEL CLE A BOUGIE	1 2 3 4 5 6 7 8 9 A B C	
19A		00005551290	DESTORNILLADOR CACCIIVITE SCREW DRIVER	SCHRAUBENZIEHER TOURNEVIS	1 2 3 4 5 6 7 8 9 A B C	

CODIGO CODE	Lám. Diagr.	Figr.	Vers.	CODIGO CODE	Lám. Diagr.	Figr.	Vers.	CODIGO CODE	Lám. Diagr.	Figr.	Vers.	CODIGO CODE	Lám. Diagr.	Figr.	Vers.
00A00900531	006	21A		00F03200421	019	04A		00G05001061	021	16A		00H00705121	005	13A	
00A03000121	018	08A		00F03201211	019	02B		00G05300011	024	14A		00H00708251	005	33B	
00A03000132	018	27A		00F03300241	020	08A		00G06300671	005	27A		00H00708252	005	33A	
00A03001422	018	07A		00F03300731	020	06A		00H00200561	002	11A		00H00708262	005	34A	
00D00200761	002	05A		00F03310741	020	04A		00H00200701	002	18A		00H00708651	005	34B	
00D00900531	007	04A		00F03710131	004	16A		00H00201111	002	28A		00H00709431	005	01A	
00D01000701	006	24A		00F03710241	022	02A		00H00201441	002	20A		00H00709432	005	01B	
00D01100201	010	04A		00F04201361	021	12A		00H00201531	002	12A		00H00712341	005	11A	
00D01200171	003	14A		00F04601121	004	37A		00H00201581	002	21A		00H00800422	001	28A	
00D01200171	004	29A		00F04700121	008	20A		00H00201741	002	01A		00H00803082	001	10A	
00D01200171	005	03A		00F05000061	018	30A		00H00202101	002	29A		00H00805072	001	12A	
00D01200171	007	24A		00F05300021	024	13A		00H00202151	002	09A		00H00820011	001	09A	
00D01200171	020	13A		00G00200112	002	06A		00H00202201	002	16A		00H00900251	006	34A	
00D01200171	023	06A		00G00400181	004	11A		00H00202231	002	17A		00H00900281	006	33A	
00D01200831	010	27A		00G00400501	004	10A		00H00203261	002	15A		00H00900721	006	28A	
00D01201091	008	07A		00G00800261	006	32A		00H00203471	002	19A		00H00900741	006	36A	
00D01300191	003	06A		00G01000911	007	32A		00H00203881	002	13A		00H00900771	006	37A	
00D01300192	003	03A		00G01001571	007	16A		00H00204191	002	14A		00H00901261	006	35A	
00D01301401	009	14A		00G01500951	021	18A		00H00204271	002	08A		00H00902301	006	17A	
00D01500021	005	31A		00G01503701	005	09A		00H00206171	002	10A		00H00903291	006	16B	
00D01500021	011	05A		00G01503701	010	06A		00H00208091	002	03A		00H00905201	006	06A	
00D01500471	004	32A		00G01601581	011	07A		00H00209011	002	07A		00H00906201	006	06B	
00D01500552	004	22A		00G01602581	011	06A		00H00228001	002	04A		00H00909011	006	01A	
00D01500552	023	22A		00G02200692	023	34A		00H00300672	008	18A		00H00916171	006	03A	
00D01501371	003	12A		00G03000211	018	22A		00H00300672	009	15A		00H00918751	006	11A	
00D01501371	004	28A		00G03001091	013	18A		00H00300891	003	31A		00H00930071	006	15A	
00D01501371	005	08A		00G03001091	018	23A		00H00301401	003	05A		00H00930091	006	04A	
00D01501371	007	23A		00G03002091	018	24A		00H00301701	003	26A		00H01000131	007	10A	
00D01501371	020	12A		00G03200061	019	09A		00H00301801	003	25A		00H01000371	007	13A	
00D01501371	023	07A		00G03200101	019	19A		00H00301831	003	30A		00H01001701	010	07A	
00D01520096	001	20A		00G03200511	019	11A		00H00301851	003	28A		00H01002341	007	11A	
00D01540456	001	21A		00G03200541	019	15A		00H00301861	003	29A		00H01002821	007	37A	
00D02100901	006	22A		00G03200551	019	16A		00H00301871	003	27A		00H01004841	007	21A	
00D02120811	006	10A		00G03200721	019	17A		00H00301891	003	35A		00H01006321	007	12A	
00D02200671	006	30A		00G03200731	019	18A		00H00305331	003	36A		00H01007141	006	13A	
00D02600552	014	12A		00G03201071	019	10A		00H00314971	003	01A		00H01013011	007	06A	
00D02600631	003	10A		00G03201091	019	24A		00H00400371	004	38A		00H01027301	007	01B	
00D02600631	007	45A		00G03201371	019	12A		00H00400781	022	14A		00H01029301	007	01A	
00D02600631	010	21A		00G03201431	019	03B		00H00401521	004	34A		00H01100172	010	17A	
00D02600631	014	15A		00G03202431	019	03A		00H00404051	004	24A		00H01100461	010	13A	
00D02600631	021	13A		00G03204272	004	13A		00H00404471	004	35A		00H01101211	010	08A	
00D02600631	023	40A		00G03206031	019	05B		00H00405011	004	09A		00H01101731	010	05A	
00D02820101	016	02A		00G03208031	019	05C		00H00406011	004	09B		00H01102072	010	15A	
00D02910131	017	04A		00G03301271	020	05A		00H00414682	004	01A		00H01102181	010	12A	
00D03210491	004	27A		00G03301401	020	15A		00H00414684	004	01B		00H01103581	010	31A	
00D03700131	004	12A		00G03400321	021	15A		00H00501281	005	35A		00H01103611	010	14A	
00D03700131	022	04A		00G03701031	022	05A		00H00517651	005	14A		00H01111081	010	01A	
00D04000291	016	32A		00G03800601	023	04A		00H00517652	005	14B		00H01120021	010	16A	
00D05700141	007	09A		00G03800741	023	48A		00H00519221	005	36A		00H01200701	008	11A	
00D05910081	021	09A		00G03801701	023	28A		00H00519641	005	17A		00H01201331	008	23A	
00E02500231	013	13A		00G03900821	018	19A		00H00519642	005	17B		00H01203031	008	22A	
00F00400131	004	07A		00G04100131	019	20A		00H00543691	005	15A		00H01204271	008	02A	
00F00400771	004	08A		00G04100741	019	21A		00H00543692	005	15B		00H01206061	008	12A	
00F00403321	004	14A		00G04100771	019	23A		00H00543701	005	16A		00H01206191	008	13A	
00F00403321	022	21A		00G04400752	005	12A		00H00543702	005	16B		00H01206711	008	03A	
00F00900531	010	10A		00G04401461	007	46A		00H00600341	004	18A		00H01211081	008	06A	
00F00900531	020	16A		00G04401462	005	24A		00H00604141	004	02A		00H01211101	008	10A	
00F00910291	006	16A		00G04401462	010	23A		00H00606521	005	18A		00H01212021	008	24A	
00F00920551	006	19A		00G04401462	023	37A		00H00615161	005	20B		00H01213111	008	09A	
00F01001311	007	22A		00G04401481	004	36A		00H00615162	005	20A		00H01301491	003	41A	
00F01811411	001	33A		00G04700131	010	29A		00H00617011	004	17A		00H01301721	009	20A	
00F02804371	016	22C		00G04700141	010	26A		00H00617012	004	17B		00H01301831	008	21A	

CODIGO CODE	Lám. Diagr.	Figr.	Vers.	CODIGO CODE	Lám. Diagr.	Figr.	Vers.	CODIGO CODE	Lám. Diagr.	Figr.	Vers.	CODIGO CODE	Lám. Diagr.	Figr.	Vers.
00H01301831	010	25A		00H02101011	006	18A		00H02700451	015	05A		00H03239011	019	01B	
00H01302052	009	08A		00H02101191	006	07A		00H02700491	015	06A		00H03245011	019	01C	
00H01303091	009	22A		00H02101621	006	02A		00H02703421	015	10A		00H03300221	020	07A	
00H01303201	009	02A		00H02104081	006	05A		00H02800181	016	11A		00H03300701	020	02B	
00H01303521	010	30A		00H02104082	006	05B		00H02800241	016	34A		00H03300851	020	17A	
00H01303731	009	21A		00H02105611	006	27A		00H02800251	016	13A		00H03301011	020	01B	
00H01304202	003	02A		00H02105612	006	27B		00H02800401	016	19A		00H03301811	020	18A	
00H01304531	009	09A		00H02200681	006	43A		00H02800561	016	15A		00H03303701	020	02A	
00H01304811	003	40A		00H02200791	003	39A		00H02800801	016	28A		00H03307011	020	01A	
00H01306181	009	04A		00H02201302	001	24A		00H02800891	016	36A		00H03330171	020	03B	
00H01306351	009	13A		00H02201312	001	06A		00H02800901	016	04A		00H03331171	020	03A	
00H01306821	009	16A		00H02201521	003	42A		00H02801221	016	08A		00H03401321	021	03A	
00H01312361	009	12A		00H02201591	005	30A		00H02801291	016	01A		00H03404321	021	10A	
00H01313321	009	11A		00H02205671	006	29A		00H02801481	016	10A		00H03421082	021	01A	
00H01316033	009	06A		00H02231371	007	05A		00H02802161	016	35A		00H03422413	021	02A	
00H01317031	009	06C		00H02231372	007	05B		00H02802861	016	31A		00H03423411	021	02B	
00H01319031	009	06B		00H02301961	007	33A		00H02805131	016	06A		00H03424082	021	01B	
00H01500421	003	33A		00H02303441	013	20A		00H02805371	016	22A		00H03426082	021	01C	
00H01500811	005	25B		00H02304381	006	14A		00H02806371	016	22B		00H03433011	021	14A	
00H01501212	009	18A		00H02304501	007	30A		00H02810181	016	18A		00H03442081	021	01D	
00H01501501	001	30A		00H02401282	009	10A		00H02810231	016	09A		00H03603521	014	01A	
00H01501811	006	40A		00H02403281	008	19A		00H02810411	016	21A		00H03700101	022	07A	
00H01501811	010	24A		00H02421273	009	01A		00H02810421	016	23A		00H03700131	010	09A	
00H01502101	001	29A		00H02427272	009	01B		00H02810561	016	16A		00H03700141	022	23A	
00H01502201	009	17A		00H02431271	009	01C		00H02810631	016	29A		00H03700201	022	26A	
00H01502501	001	32A		00H02500041	013	08A		00H02810741	016	30A		00H03700211	022	06A	
00H01502741	007	40A		00H02500272	001	18A		00H02820211	016	07A		00H03700311	022	22A	
00H01503101	001	31A		00H02500301	013	11A		00H02820561	016	17A		00H03700351	022	15A	
00H01508181	003	11A		00H02500491	018	29A		00H02820651	016	26A		00H03700461	018	18A	
00H01511191	003	24A		00H02500811	018	28A		00H02820661	016	37A		00H03701012	022	27A	
00H01521201	009	17B		00H02501131	013	05A		00H02900011	017	12A		00H03701021	022	13A	
00H01525321	007	02A		00H02501491	018	11A		00H02900041	017	10A		00H03701041	022	12A	
00H01525322	007	02B		00H02502111	013	03A		00H02900091	017	06A		00H03701121	022	16A	
00H01600911	011	04A		00H02502121	013	04A		00H02900271	017	11A		00H03701411	022	17A	
00H01610381	011	11A		00H02502891	018	10A		00H02900281	017	07A		00H03703051	022	03A	
00H01610381	002	26A		00H02505021	013	07A		00H02900761	017	02A		00H03704081	022	01A	
00H01610521	011	01A		00H02506141	013	09A		00H02901441	017	08A		00H03800134	023	08A	
00H01612521	011	01B		00H02507061	018	20A		00H02901551	017	09A		00H03800141	023	11A	
00H01614051	011	10A		00H02510641	018	21A		00H02902251	017	13A		00H03800151	023	13A	
00H01614521	011	01D		00H02512013	013	06A		00H02902252	017	13B		00H03800161	023	17A	
00H01616521	011	01C		00H02542091	013	02A		00H03000031	018	02A		00H03800181	014	25A	
00H01618021	011	09A		00H02552091	013	02B		00H03000081	018	14A		00H03800231	023	32A	
00H01618521	011	01E		00H02562091	013	02C		00H03000091	018	26A		00H03800381	022	11A	
00H01619021	011	09B		00H02572091	013	02D		00H03000141	018	05A		00H03800381	023	16A	
00H01701301	007	27A		00H02600111	014	03A		00H03000242	018	06A		00H03800431	023	24A	
00H01701391	007	29A		00H02600151	014	07A		00H03000272	001	26A		00H03800441	014	20A	
00H01704071	007	28A		00H02600181	014	13A		00H03002884	018	04A		00H03800441	023	27A	
00H01800401	021	08A		00H02600211	014	14A		00H03003634	018	01A		00H03800451	023	19A	
00H01800541	004	25A		00H02600271	014	09A		00H03010361	018	03A		00H03800722	007	14A	
00H01800811	003	18A		00H02600322	014	22A		00H03201201	019	22A		00H03800751	023	23A	
00H01801721	003	37A		00H02600342	014	19A		00H03201211	019	02A		00H03801041	023	05A	
00H01801771	001	15A		00H02600401	014	27A		00H03201251	004	26A		00H03801711	023	35A	
00H01801791	003	17A		00H02600551	014	10A		00H03202231	019	13B		00H03802031	023	33A	
00H01802081	005	19A		00H02600651	014	26A		00H03202281	019	08A		00H03802471	023	03A	
00H01802291	003	15A		00H02601011	014	11A		00H03202481	019	07A		00H03802501	023	02A	
00H01803771	003	16A		00H02601161	014	08A		00H03203481	019	07B		00H03804021	023	29A	
00H01804331	003	08A		00H02601381	014	02A		00H03203711	019	14A		00H03805011	023	01A	
00H01970601	001	01A		00H02610311	014	18A		00H03204231	019	13A		00H03805301	023	36A	
00H02012031	002	25A		00H02700151	015	01A		00H03204421	019	04B		00H03806011	023	01B	
00H02013041	002	24A		00H02700231	015	03A		00H03207261	004	33A		00H03810211	023	14A	
00H02100121	006	38A		00H02700251	015	09A		00H03221031	019	05A		00H03810421	023	25A	
00H02100861	006	08A		00H02700441	015	04A		00H03236011	019	01A		00H04101181	019	06A	

CODIGO CODE	Lám. Diagr.	Figr.	Vers.	CODIGO CODE	Lám. Diagr.	Figr.	Vers.	CODIGO CODE	Lám. Diagr.	Figr.	Vers.	CODIGO CODE	Lám. Diagr.	Figr.	Vers.
00H04106181	019	06B		00H99927E301	012	01C		00002028550	016	14A		00012081621	021	05A	
00H04302181	004	06A		00H99927U003	012	01B		00002028770	015	08A		00012151500	010	22A	
00H04316651	011	08A		00M03800221	023	12A		00002028770	017	01A		00012151500	023	38A	
00H04428801	005	05B		0000A517011	007	26A		00002029050	017	15A		00012152000	005	23A	
00H04428802	005	05A		00000002420	023	47A		00002030020	018	09A		00012152000	006	39A	
00H04428831	005	06B		00000002816	021	05B		00002051251	023	26A		00012152000	011	02A	
00H04428832	005	06A		00000004510	016	24A		00002051551	022	28A		00012161600	003	13A	
00H04603841	007	35A		00000004510	022	25A		00002052051	023	09A		00012161600	004	30A	
00H04603871	001	34A		00000004620	006	23A		00002054551	022	19A		00012161600	005	02A	
00H04605841	007	34A		00000004820	002	27A		00002061011	018	12A		00012161600	005	10A	
00H04636141	005	25A		00000004830	008	15A		00002062011	021	04A		00012161600	005	29A	
00H04702121	010	02A		00000004830	010	28A		00002062511	015	11A		00012161600	007	20A	
00H04702141	008	14A		00000012415	021	11A		00002082021	011	12A		00012161600	023	21A	
00H04715081	008	01A		00000012420	020	14A		00002125170	013	17A		00012162000	020	11A	
00H04900231	005	32A		00000012508	006	20A		00002182000	009	07A		00013054500	003	20A	
00H04903292	001	22A		00000012515	007	44A		00002212070	008	08A		00013061200	003	19A	
00H04919561	005	04B		00000013510	016	05A		00002212070	009	19A		00014041200	006	09A	
00H04919562	005	04A		00000021060	003	44A		00002215152	001	25A		00022084021	001	04A	
00H04919571	005	07B		00000021060	007	17A		00002225220	013	14A		00022084521	001	07A	
00H04919572	005	07A		00000021080	006	45A		00002503230	003	04A		00023108000	001	05A	
00H05000281	014	04A		00000023040	023	46A		00002518790	001	17A		00023108000	001	13A	
00H05000281	014	28A		00000023051	003	23A		00003102280	018	13A		00023108000	010	20A	
00H05000281	022	09A		00000023051	005	26A		00003125280	013	19A		00023108000	021	07A	
00H05000281	023	15A		00000023051	006	42A		00003127200	017	19A		00023112000	003	32A	
00H05001011	013	16A		00000023051	007	15A		00003130050	018	16A		00023208000	021	07B	
00H05007123	013	01A		00000023060	007	31A		00003133230	020	09A		00026006001	021	17A	
00H05100011	024	18A		00000023080	006	31A		00003133260	020	10A		00031106000	007	41A	
00H05101561	024	17A		00000023120	003	07A		00003710110	007	07A		00032015000	008	04A	
00H05146651	005	37A		00000031040	023	44A		00003710120	007	08A		00032015000	009	03A	
00H05150651	005	37B		00000031050	003	21A		00004053500	007	36A		00034000802	008	17A	
00H05205481	012	02A		00000031050	005	21A		00004083501	002	02A		00034000802	010	32A	
00H05300041	024	04A		00000031050	006	41A		00004162500	002	22A		00036008000	001	02A	
00H05300151	024	07A		00000031050	011	03A		00004162500	017	20A		00037000600	017	21A	
00H05300841	024	08A		00000031050	022	24A		00005010760	006	25A		00047030400	004	04A	
00H05400451	024	01A		00000031050	023	10A		00005527540	010	19A		00047030900	017	16A	
00H05400581	024	02A		00000031060	003	22A		00005529290	017	05A		00047031100	015	02A	
00H05401561	024	03A		00000031060	005	28A		00005530600	018	17A		00052062011	014	23A	
00H05600231	024	16A		00000031060	018	25A		00005551290	024	19A		00053030000	022	08A	
00H05600241	024	06A		00000031060	002	23A		00006309260	006	26A		00053030000	023	18A	
00H05600251	024	05A		00000031080	006	44A		00006321040	006	12A		00057120300	016	03A	
00H05600261	024	12A		00000031080	008	16A		00006321040	010	03A		00058020301	016	20A	
00H05600321	024	15A		00000031080	021	06B		00006826230	014	05A		00059220400	013	12A	
00H05600331	024	11A		00000033050	022	20A		00008202730	013	15A		00073481964	004	31A	
00H05600341	024	10A		00000034050	016	25A		00008204500	022	18A		00092061214	023	31A	
00H05600351	024	09A		00000036100	017	17A		00008204500	023	30A		00262080022	001	08A	
00H05700101	007	43A		00000047110	014	17A		00008902630	001	11A		00262100032	001	27A	
00H05700481	007	39A		00000047110	022	10A		00008902630	002	30A		00402060001	007	18A	
00H05701061	007	47A		00000047111	017	03A		00008915020	004	21A		00402080001	001	03A	
00H05701551	023	41A		00000047122	017	14A		00008915020	023	20A		00402080001	010	18A	
00H06000151	019	25A		00000056202	008	05A		00011021300	007	19A		00402080001	021	06A	
00H06001151	016	27A		00000056202	009	05A		00011041300	010	11A		00402100001	001	23A	
00H06100261	004	23A		00000056205	001	14A		00011051401	005	22A		00442060002	015	12A	
00H06201061	004	15A		00000061040	017	18A		00011051801	004	19A					
00H06303401	001	16A		00000066060	016	33A		00011131300	023	43A					
00H06303752	004	05A		00000326260	014	06A		00011141300	003	09A					
00H06303762	004	03A		00001130370	018	15A		00011141300	023	39A					
00H06500451	001	19A		00001213190	003	38A		00012045000	007	03A					
00H06800461	007	38A		00002025190	013	10A		00012053500	014	16A					
00H06800471	003	34A		00002026020	014	24A		00012061200	004	20A					
00H06801061	023	45A		00002027280	014	21A		00012061200	007	25A					
00H06803031	023	42A		00002027280	015	07A		00012063000	003	43A					
00H99927E003	012	01A		00002028450	016	12A		00012063000	007	42A					