

NACIONAL MOTOR, S.A.U. DERBI

C/ Barcelona, nº19 - Martorelles 08107 - BARCELONA (SPAIN)
Tel. 93 565 78 78 - Fax 93 565 78 52

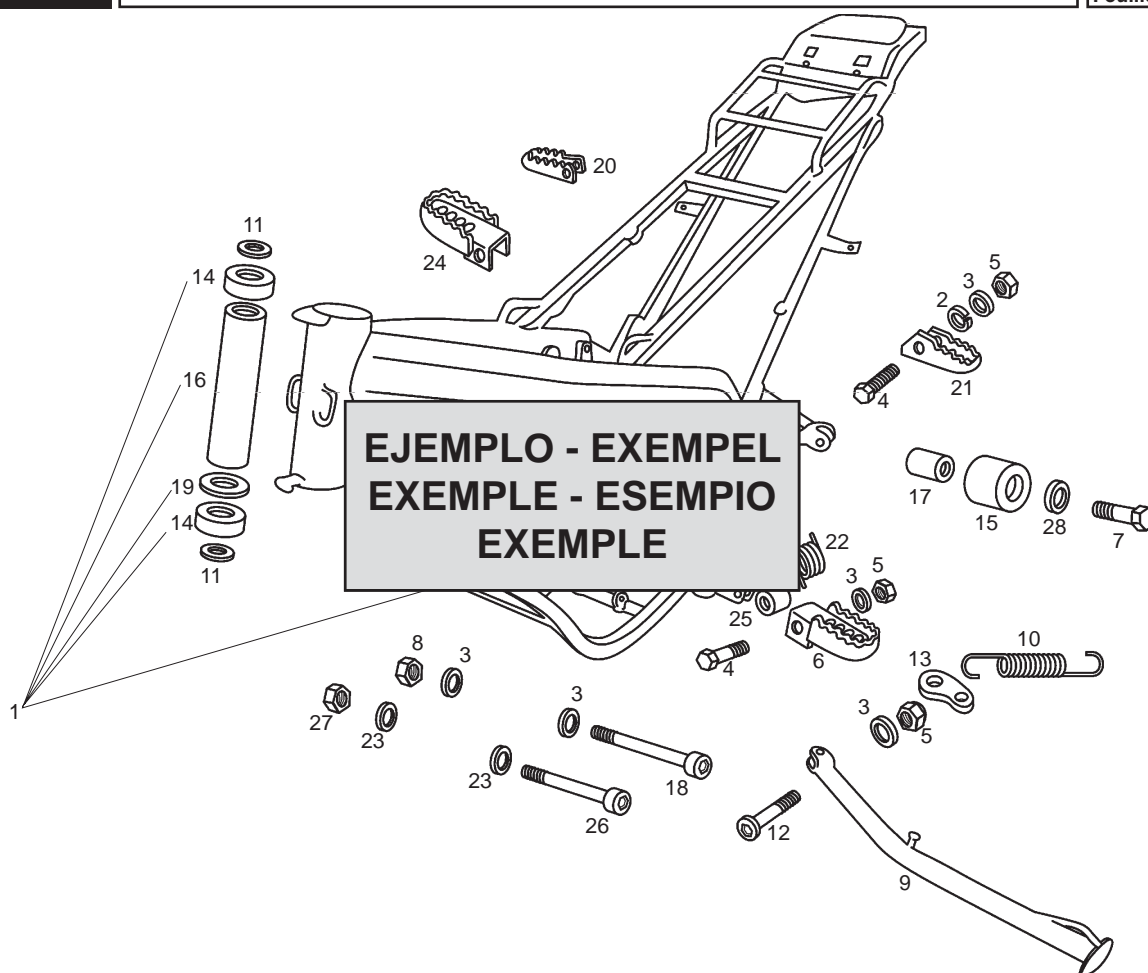
DERBI



SENDA R X-TREM 2008 E2

CÓDIGO CATÁLOGO
CATALOGUE NUMBER

7077CH08004



| Fig. | Ver. | COD. KOD. | DESCRIPCIÓN DENOMINAZIONE NAME | BEZEICHUNG DESIGNATION | MOD. | NOTAS NOTES NOTA MITSCHRIFT NOTES |
|------|--------|-------------|---|-------------------------|------|-----------------------------------|
| ② | 01A | 00G01924601 | R-SCTO.CUADRO C/COJIN. ATLANTIS TELAIO FRAME SUB-ASSEMBLY | RHAMEN CADRE COMPLET | 1 2 | XXXXXXXX |
| ③ | 01A 01 | 00G01924601 | R-SCTO.CUADRO C/COJIN. ATLANTIS TELAIO FRAME SUB-ASSEMBLY | RHAMEN CADRE COMPLET | 1 2 | XXXXXXXX |
| ④ | 01A 02 | 00G01924601 | | | | |
| ① | 01A 03 | 00G01924601 | R-SCTO.CUADRO C/COJIN. ATLANTIS TELAIO FRAME SUB-ASSEMBLY | RHAMEN CADRE COMPLET | 1 2 | XXXXXXXX |

1- Código de localización de piezas. 2- Código indicativo de pieza reemplazada. 3- Código indicativo de pieza anulada. 4- Código indicativo de pieza restituida (esta se monta de nuevo). 5- Código de referencia de la pieza. 6- Identificación de modelos. 7- Los códigos de esta casilla indican que, a partir del número de chasis o motor indicado dentro de esta, se monta una nueva pieza que reemplaza a la anterior (sección 2), que una pieza no se monta (sección 3), o que la pieza anulada se monta de nuevo (sección 4), y concierne a los modelos indicados (sección 6). 8- Denominación de la pieza.

1- Codice di localizzazione pezzi. 2- Codice indicatore del pezzo sostituito. 3- Il pezzo precedente non si monta. 4- Codice indicatore dei pezzi che si tornano a montare. 5- Codice di identificazione del pezzo. 6- Identificazione del modello. 7- Il codice di questa casella indica che, dal numero di Telaio/motore indicato, si monta un nuovo pezzo che sostituisce il precedente (sezione 2), che un pezzo non si monta (sezione 3), oppure che il pezzo annullato si monta di nuovo (sezione 4), facendo riferimento al modello indicato (sezione 6). 8- Denominazione del pezzo.

1- Part location number. 2- Substituted part number. 3- Withdrawn part number (no longer fitted). 4- Restored part number (newly fitted going withdrawn). 5- Part reference number. 6- Model identification number. 7- Chassis or engine number from which a new part is fitted substituting a part which has been withdrawn (see para 2) or a part is withdrawn is fitted again (see para 4), in the models indicated (see para 6). 8- Part identification label.

1- Zeichnungs - Number. 2- Ausführung. 3- Gestrichene Ersatzteilnummer. 4- Ersetzte Ersatzteilnummer. 5- Ersatzteilnummer. 6- Modell - Nummer. 7- Rhamen - order motonummer, für die ein neues teil eingestzt wird, z.b. eine nummer, die geändert (s. para 2), order ein teil, das gestrichen wurde (s.para 3), order ein teil, das vorübergehend verschiedene modelle (s. para 6) 8- Bezeichnung.

1- Code de localisation de la pièce. 2- Code indicateur de pièce remplace par un autre. 3- Code indicateur de pièce annulé (elle n'est plus montée). 4- Code indicateur de pièce restituée (elle se monte à nouveau). 5- Code référence de la pièce. 6- Les codes de cette case indiquant qu'à partir de numero 7- Chassis ou de moteur indiqué, un nouvelle pièce est montée en remplacement d'une autre (section 2), qu'une pièce n'est plus montée (section 3) ou la pièce anulée est montée à nouveau (section 4) et concernant les modèles indiqués (section 6). 8- Denomination de la pièce.

IDENTIFICACION DE MODELOS REPRESENTADOS EN ESTE CATALOGO SEGUN LOS DIGITOS SIGUIENTES

IDENTIFICAZIONE DEI MODELLI RAPPRESENTATI IN QUESTO CATALOGO SECONDO I NUMERI A SEGUIRE

THE MODELS REFERRED INTO THIS CATALOGUE ARE IDENTIFIED BY FOLLOWING NUMBERS

BESTIMMUNG DER VERSCHIEDENEN MODELLE IN DIESEM KATALOG

IDENTIFICATION DES MODELOES REPRESENTES DANS CE CATALOGUE, EN FONCTION DES CODES SUIVANTS

| MODELO MODELLI MODEL MODELL MODELE | DENOMINACION DENOMINAZIONE MODEL NAME BEZEICHNUNG DENOMINATION | CODIGO MODELO CODICE MODELLI CODE MODEL KODE MODELL CODE MODELE |
|---|---|--|
| 1  | SENDA R X-TREM ESPAÑA ROJO (FLUOR) / BLANCO (AJEDREA) 2008 E2 SENDA R X-TREM FRANCE RED (FLUOR) / WHITE (AJEDREA) 2008 E2 SENDA R X-TREM ENGLAND RED (FLUOR) / WHITE (AJEDREA) 2008 E2 SENDA R X-TREM ITALY RED (FLUOR) / WHITE (AJEDREA) 2008 E2 | E 9 2 H 5 1 E 8 3 0 E 9 2 H 5 1 F 8 3 0 E 9 2 H 5 1 G 8 3 0 E 9 2 H 5 1 I 8 3 0 |
| 2  | SENDA R X-TREM AUSTRIA RED (FLUOR) / WHITE (AJEDREA) 2008 E2 SENDA R X-TREM DENMARK RED (FLUOR) / WHITE (AJEDREA) 2008 E2 30 KM/H | E 9 2 H 5 1 U 8 3 0 E 9 2 H 5 1 D 8 3 0 |
| 3  | SENDA R X-TREM SCANDINAVIA RED (FLUOR) / WHITE (AJEDREA) 2008 E2 | E 9 2 H 5 1 V 8 3 0 |
| 4  | SENDA R X-TREM ESPAÑA NEGRO (OMBU) / BLANCO (AJEDREA) 2008 E2 SENDA R X-TREM FRANCE BLACK (OMBU) / WHITE (AJEDREA) 2008 E2 SENDA R X-TREM ENGLAND BLACK (OMBU) / WHITE (AJEDREA) 2008 E2 SENDA R X-TREM ITALY BLACK (OMBU) / WHITE (AJEDREA) 2008 E2 | E 9 2 H 5 1 E 8 8 1 E 9 2 H 5 1 F 8 8 1 E 9 2 H 5 1 G 8 8 1 E 9 2 H 5 1 I 8 8 1 |



IDENTIFICACION DE MODELOS REPRESENTADOS EN ESTE CATALOGO SEGUN LOS DIGITOS SIGUIENTES

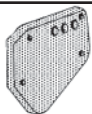
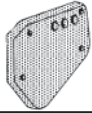
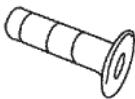

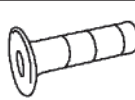
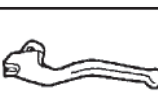



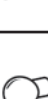

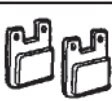
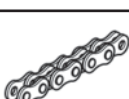
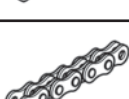


IDENTIFICAZIONE DEI MODELLI RAPPRESENTATI IN QUESTO CATALOGO SECONDO I NUMERI A SEGUIRE


THE MODELS REFERRED INTO THIS CATALOGUE ARE IDENTIFIED BY FOLLOWING NUMBERS

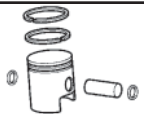









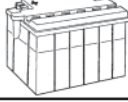
BESTIMMUNG DER VERSCHIEDENEN MODELLE IN DIESEM KATALOG

IDENTIFICATION DES MODELOES REPRESENTES DANS CE CATALOGUE, EN FONCTION DES CODES SUIVANTS

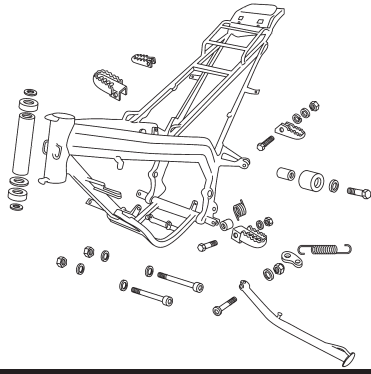
| MODELO MODELLI MODEL MODELL MODELE | DENOMINACION DENOMINAZIONE MODEL NAME BEZEICHNUNG DENOMINATION | CODIGO MODELO CODICE MODELLI CODE MODEL KODE MODELL CODE MODELE |
|--|--|---|
| 5  | SENDA R X-TREM AUSTRIA BLACK (OMBU) / WHITE (AJEDREA) SENDA R X-TREM DENMARK BLACK (OMBU) / WHITE (AJEDREA) 2008 E2 30 KM/H | E 9 2 H 5 1 U 8 8 1 E 9 2 H 5 1 D 8 8 1 |
| 6  | SENDA R X-TREM SCANDINAVIA BLACK (OMBU) / WHITE (AJEDREA) 2008 E2 | E 9 2 H 5 1 V 8 8 1 |
| | | |
| | | |

| IMAGEN FIGURE | LAMINA DIAGRAM | POSICION POSITION | CODIGO CODE | DESCRIPCION ESPAÑOL / SPANISH DESCRIPTION DESCRIPCION INGLES / ENGLISH DESCRIPTION | CANTIDAD POR MOTO QTY PER BIKE | NOTES NOTES |
|---|-------------------|----------------------|----------------|---|---|-------------------------|
|  | 04 | 26A | 00H03209251 | ESPUMA FILTRO AIRE AIR FILTER MESH | 1 | |
|  | 04 | 26B | 00H03209251 | ESPUMA FILTRO AIRE AIR FILTER MESH | 1 | ONLY SCANDINAVIA |
|  | 06 | 04A | 00H00930091 | R-EMPUÑADURA GAS GRIP, THROTTLE | 1 | |
|  | 06 | 06A | 00F00902291 | MANETA FRENO DELANTERO BRAKE LEVER | 1 | |
|  | 06 | 15A | 00H00930071 | EMPUÑADURA LADO EMBRAGUE GRIP | 1 | |
|  | 06 | 16A | 00F00910291 | R-MANETA EMBRAGUE CLUTCH LEVER | 1 | |
|  | 06 | 19A | 865599 | KIT ESPEJOS RETROVISORES REAR MIRROR | 1 | |
|  | 07 | 07A | 00H01000131 | LAMPARA FARO 12V 35W/35W HEADLIGHT BULB | 1 | |
|  | 07 | 10A | 00H01000371 | LAMP.PILOTO-STOP.12V.21/5W. BULB, TAILLIGHT/STOP | 1 | |
|  | 07 | 23A | 0000A517011 | BOMBILLA INTERMITENTES INDICATOR LIGHT BULB | 4 | |
|  | 08 | 07A | 86156R | DISCO FRENO DELANTERO FRONT BRAKE DISC | 1 | |
|  | 08 | 20A | 00G04700141 | JUEGO PASTILLAS DE FRENO SET OF BRAKE PADS | 1 | |
|  | 09 | 07A | 00H01502201 | CADENA SECUNDARIA 130 P TRANSMISSION CHAIN | 1 | |
|  | 09 | 07B | 00H01506201 | CADENA SECUNDARIA 136 P TRANSMISSION CHAIN | 1 | ONLY SCANDINAVIA |
|  | 09 | 15A | 00H01317031 | PLATO ARRASTRE Z-53 NEGRO DRIVE PLATE | 1 | SINCE FRAME 9H425137 |
|  | 09 | 15B | 00H01326031 | PLATO ARRASTRE Z-65 DRIVE PLATE | 1 | ONLY SCANDINAVIA |

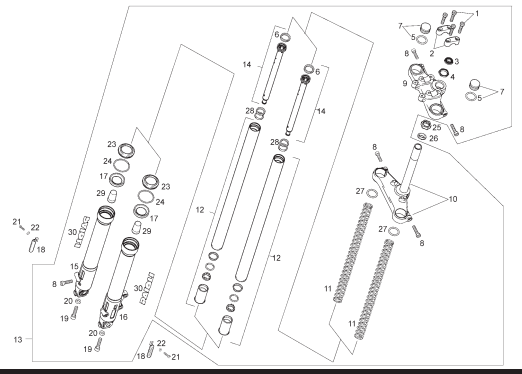
| IMAGEN FIGURE | LAMINA DIAGRAM | POSICION POSITION | CODIGO CODE | DESCRIPCION ESPAÑOL / SPANISH DESCRIPTION DESCRIPCION INGLES / ENGLISH DESCRIPTION | CANTIDAD POR MOTO QTY PER BIKE | NOTES NOTES |
|---|-------------------|----------------------|----------------|---|---|---------------------------------|
|  | 09 | 16A | 00H01305531 | DISCO FRENO TR. REAR BRAKE DISC | 1 | |
|  | 10 | 16A | 00H01120021 | PALANCA FRENO BRAKE PEDAL | 1 | |
|  | 10 | 23A | 00G04700141 | JUEGO PASTILLAS DE FRENO SET OF BRAKE PADS | 1 | |
|  | 11 | 11A | 00H01801411 | LLAVE CONTACTO POR MECANIZAR LOCK KEYS | 1 | |
|  | 15 | 01A | 847508 | CTO CILINDRO-PISTON (ALUMINIO) CYLINDER PISTON ASSEMBLY | 1 | UNTIL FRAME 8H417908 |
|  | 15 | 01B | 8772085 | CTO CILINDRO-PISTON (HIERRO) CYLINDER PISTON ASSEMBLY | 1 | BETWEEN 8H417909 9H434746 |
|  | 15 | 01C | 877719 | CTO CILINDRO-PISTON (HIERRO) CYLINDER PISTON ASSEMBLY | 1 | SINCE FRAME 9H434747 |
|  | 15 | 02A | 8472625001 | CTO PISTON (A) - v/ALUMINIO PISTON (A) | 1 | UNTIL FRAME 8H417908 |
|  | 15 | 02B | 8472625002 | CTO PISTON (B) - v/ALUMINIO PISTON (B) | 1 | UNTIL FRAME 8H417908 |
|  | 15 | 02C | 8472625003 | CTO PISTON (C) - v/ALUMINIO PISTON (C) | 1 | UNTIL FRAME 8H417908 |
|  | 15 | 02D | 8472625004 | CTO PISTON (D) - v/ALUMINIO PISTON (D) | 1 | UNTIL FRAME 8H417908 |
|  | 15 | 02E | 8744440001 | CTO PISTON (A) - v/HIERRO PISTON (A) | 1 | BETWEEN 8H417909 9H434746 |
|  | 15 | 02F | 8744440002 | CTO PISTON (B) - v/HIERRO PISTON (B) | 1 | BETWEEN 8H417909 9H434746 |
|  | 15 | 02G | 8744440003 | CTO PISTON (C) - v/HIERRO PISTON (C) | 1 | BETWEEN 8H417909 9H434746 |
|  | 15 | 02H | 8744440004 | CTO PISTON (D) - v/HIERRO PISTON (D) | 1 | BETWEEN 8H417909 9H434746 |
|  | 15 | 02I | 8770700001 | CTO PISTON (A) - v/HIERRO PISTON (A) | 1 | SINCE FRAME 9H434747 |

| IMAGEN FIGURE | LAMINA DIAGRAM | POSICION POSITION | CODIGO CODE | DESCRIPCION ESPAÑOL / SPANISH DESCRIPTION DESCRIPCION INGLES / ENGLISH DESCRIPTION | CANTIDAD POR MOTO QTY PER BIKE | NOTES NOTES |
|--|-------------------|----------------------|----------------|---|---|-------------------------|
|  | 15 | 02J | 8770700002 | CTO PISTON (B) - v/HIERRO PISTON (B) | 1 | SINCE FRAME 9H434747 |
|  | 15 | 02K | 8770700003 | CTO PISTON (C) - v/HIERRO PISTON (C) | 1 | SINCE FRAME 9H434747 |
|  | 15 | 02L | 8770700004 | CTO PISTON (D) - v/HIERRO PISTON (D) | 1 | SINCE FRAME 9H434747 |
|  | 15 | 03A | 847006 | ARO PISTON PISTON RING | 2 | UNTIL FRAME 9H434746 |
|  | 15 | 03B | 877072 | ARO PISTON PISTON RING | 2 | SINCE FRAME 9H434747 |
|  | 16 | 07A | 847043 | DISCO CONDUCTIDO DRIVEN CLUTCH PLATE | 3 | |
|  | 16 | 08A | 847044 | SCTO.DISCO CONDUCTOR CLUTCH PLATE | 4 | |
|  | 17 | 02A | 00H02703421 | CTO PALANCA CAMBIO GEARSHIFT ASSY. | 1 | |
|  | 18 | 22A | 86177R | PIÑON SALIDA CAMBIO Z-11 GEAR | 1 | |
|  | 18 | 22B | 00H02808371 | PIÑON SALIDA CAMBIO Z-12 GEAR | 1 | ONLY SCANDINAVIA |
|  | 22 | 13A | 00G03301401 | BATERIA 12V BATTERY | 1 | |
| | | | | | | |
| | | | | | | |
| | | | | | | |
| | | | | | | |
| | | | | | | |

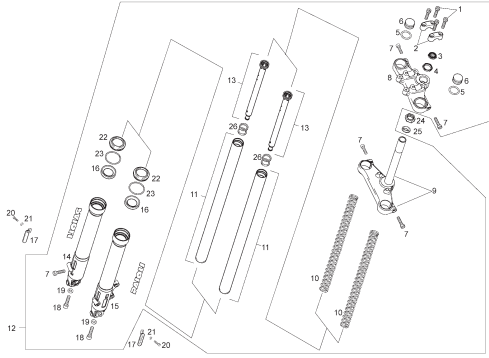
LAMINA / STAMPA / DIAGRAM / BILD / FEUILLE - 1



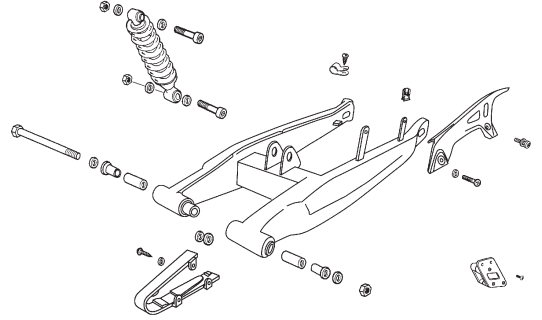
LAMINA / STAMPA / DIAGRAM / BILD / FEUILLE - 2A



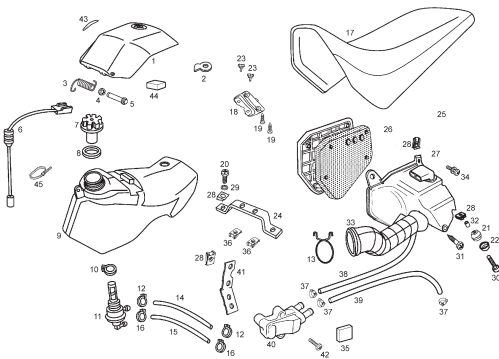
LAMINA / STAMPA / DIAGRAM / BILD / FEUILLE - 2B



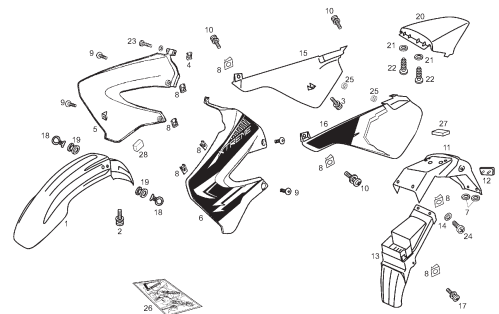
LAMINA / STAMPA / DIAGRAM / BILD / FEUILLE - 3



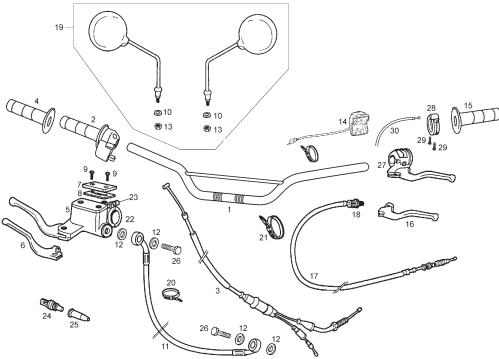
LAMINA / STAMPA / DIAGRAM / BILD / FEUILLE - 4



LAMINA / STAMPA / DIAGRAM / BILD / FEUILLE - 5



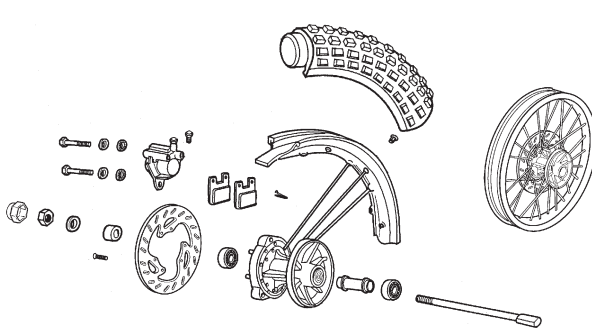
LAMINA / STAMPA / DIAGRAM / BILD / FEUILLE - 6



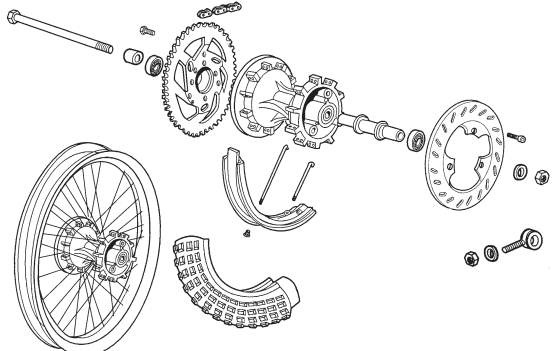
LAMINA / STAMPA / DIAGRAM / BILD / FEUILLE - 7



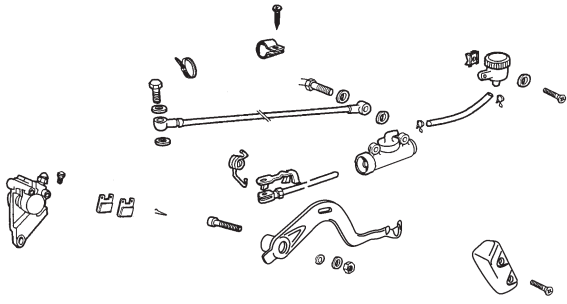
LAMINA / STAMPA / DIAGRAM / BILD / FEUILLE - 8



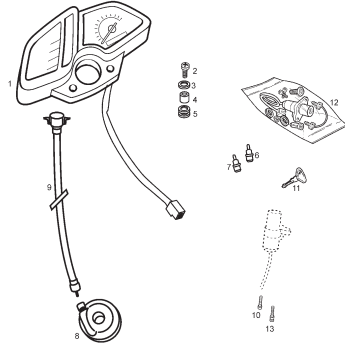
LAMINA / STAMPA / DIAGRAM / BILD / FEUILLE - 9



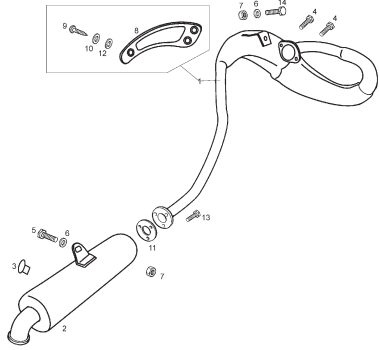
LAMINA / STAMPA / DIAGRAM / BILD / FEUILLE - 10



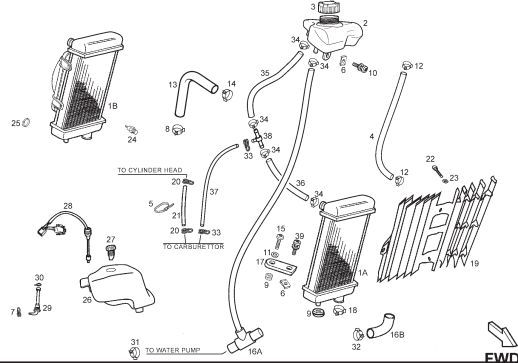
LAMINA / STAMPA / DIAGRAM / BILD / FEUILLE - 11



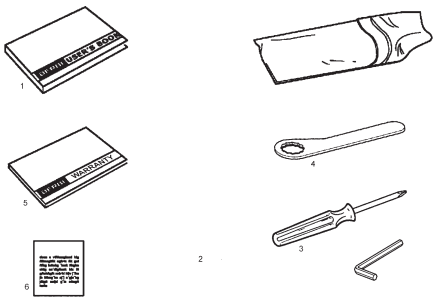
LAMINA / STAMPA / DIAGRAM / BILD / FEUILLE - 12



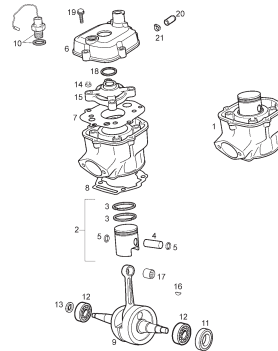
LAMINA / STAMPA / DIAGRAM / BILD / FEUILLE - 13



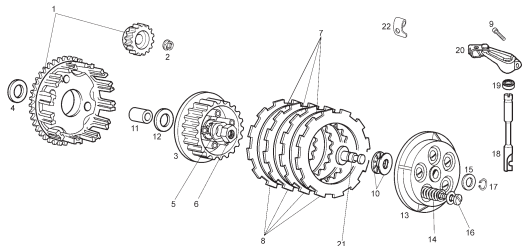
LAMINA / STAMPA / DIAGRAM / BILD / FEUILLE - 14



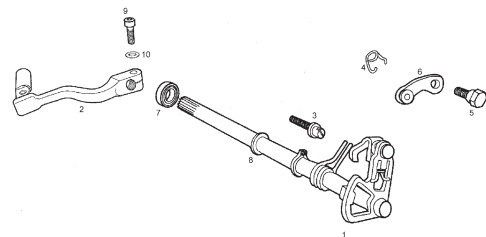
LAMINA / STAMPA / DIAGRAM / BILD / FEUILLE - 15



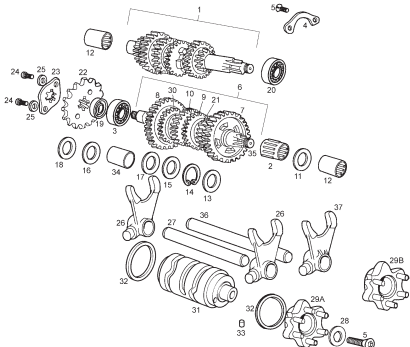
LAMINA / STAMPA / DIAGRAM / BILD / FEUILLE - 16



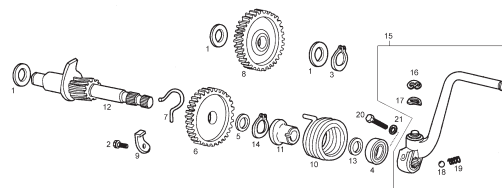
LAMINA / STAMPA / DIAGRAM / BILD / FEUILLE - 17



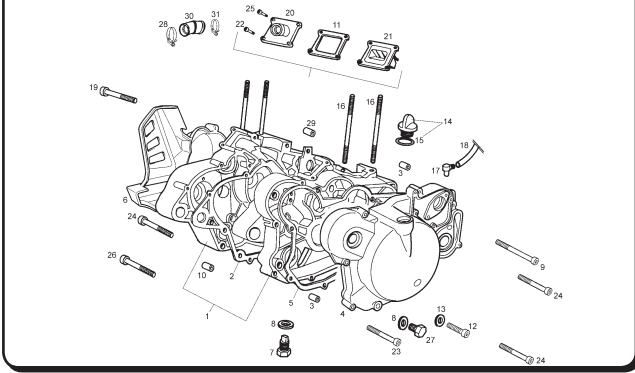
LAMINA / STAMPA / DIAGRAM / BILD / FEUILLE - 18



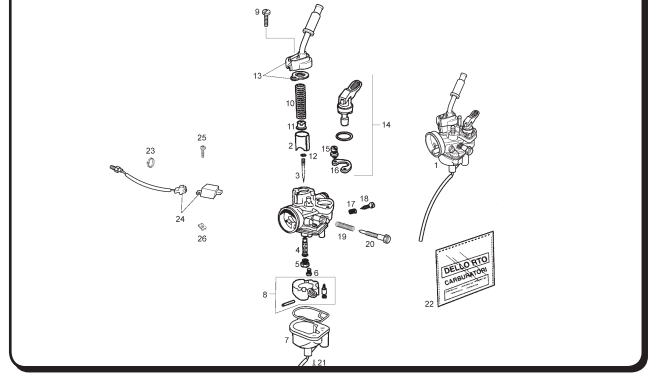
LAMINA / STAMPA / DIAGRAM / BILD / FEUILLE - 19



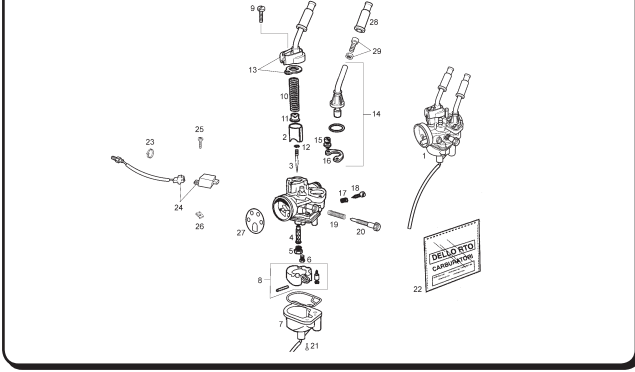
LAMINA / STAMPA / DIAGRAM / BILD / FEUILLE - 20



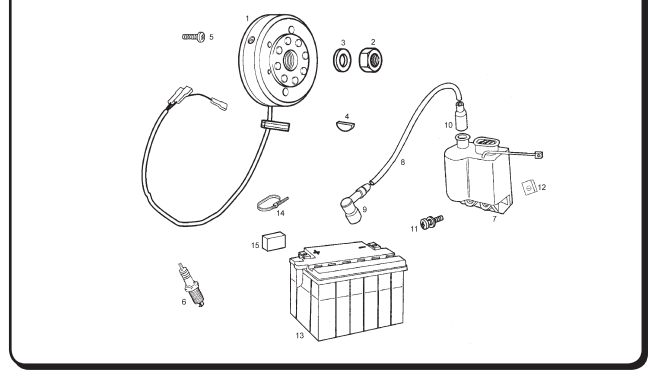
LAMINA / STAMPA / DIAGRAM / BILD / FEUILLE - 21A



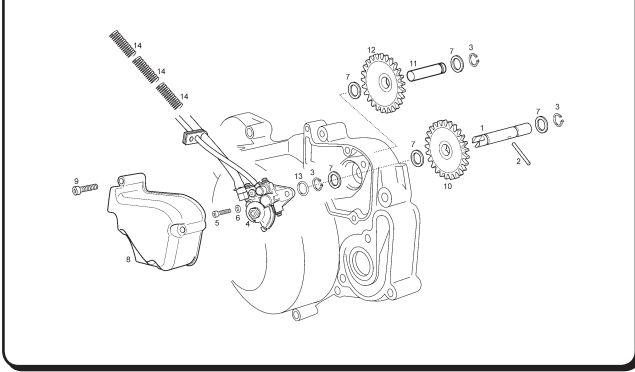
LAMINA / STAMPA / DIAGRAM / BILD / FEUILLE - 21B



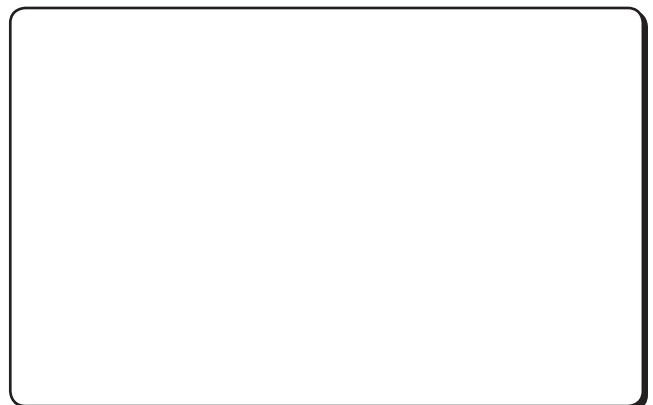
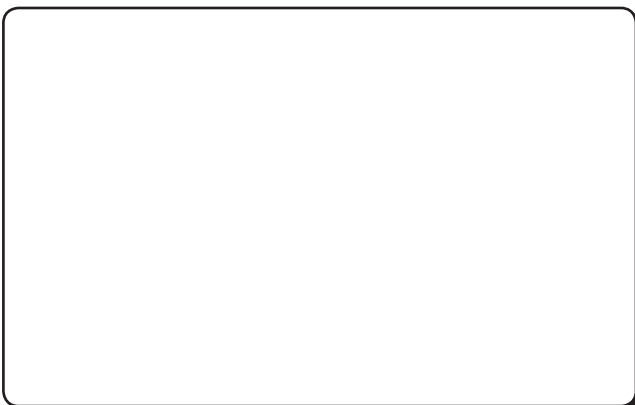
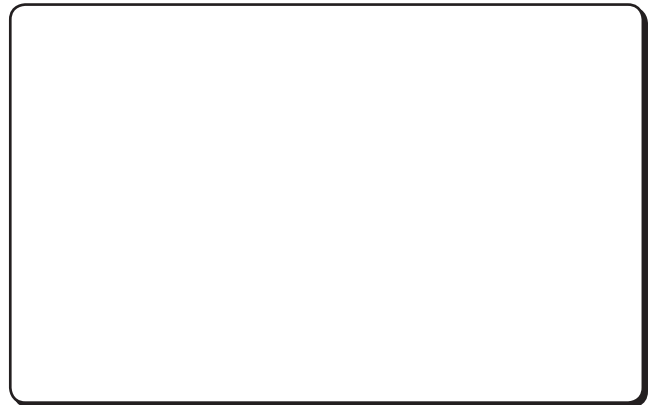
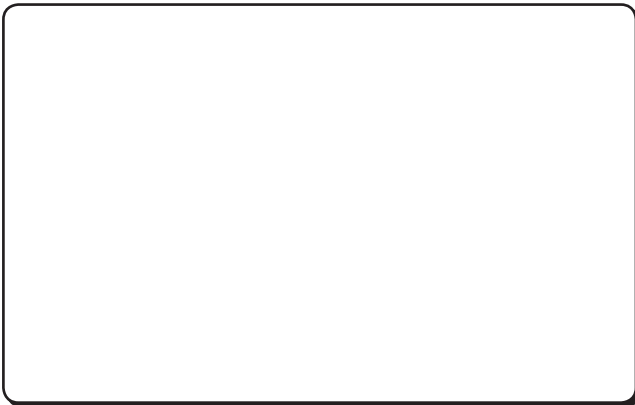
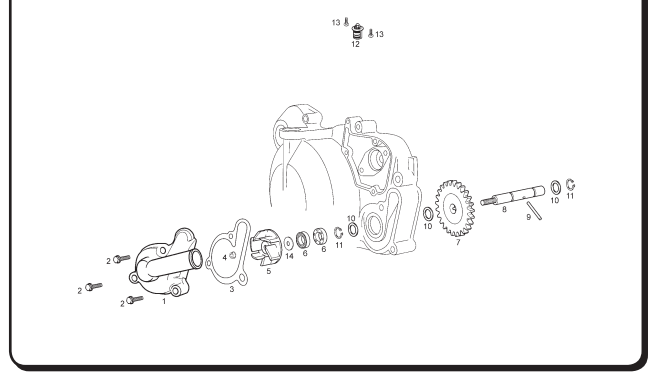
LAMINA / STAMPA / DIAGRAM / BILD / FEUILLE - 22

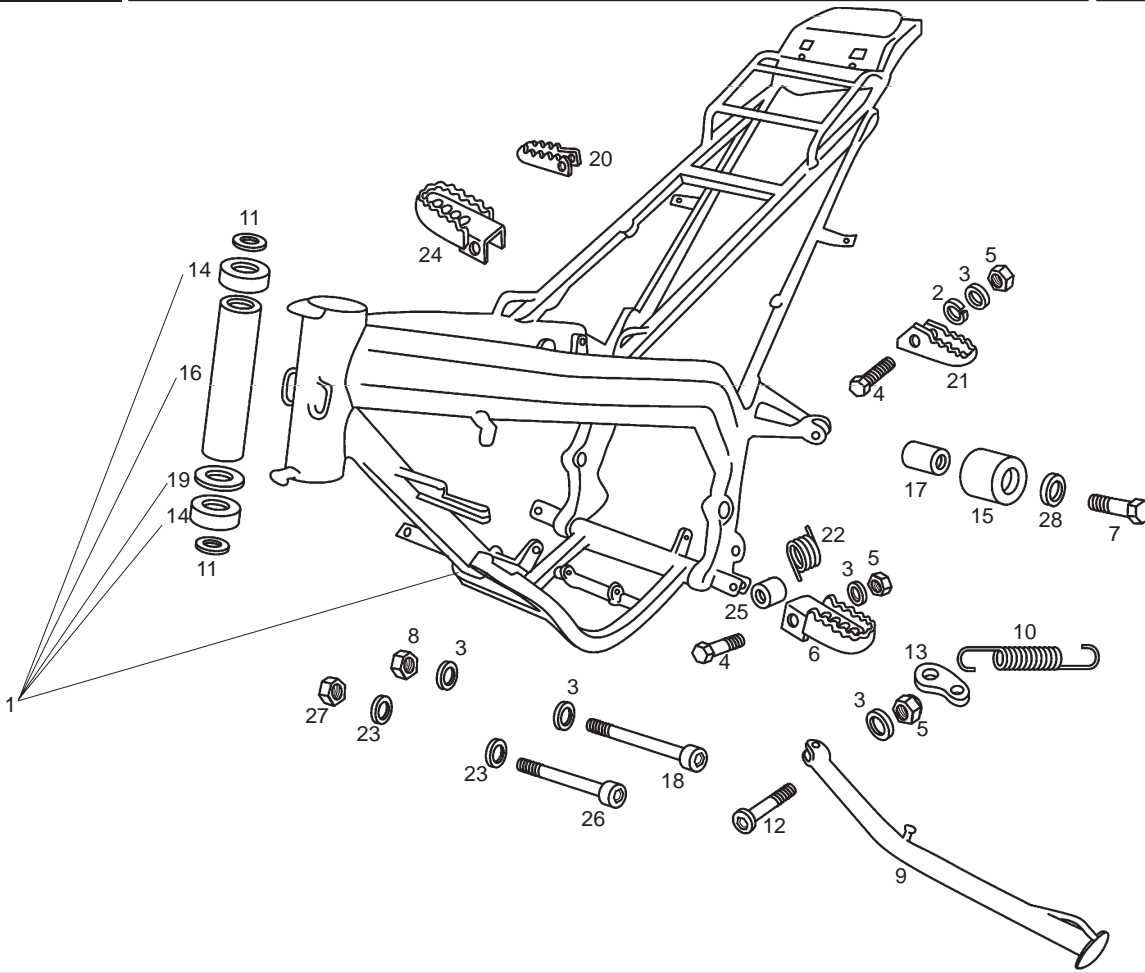


LAMINA / STAMPA / DIAGRAM / BILD / FEUILLE - 23

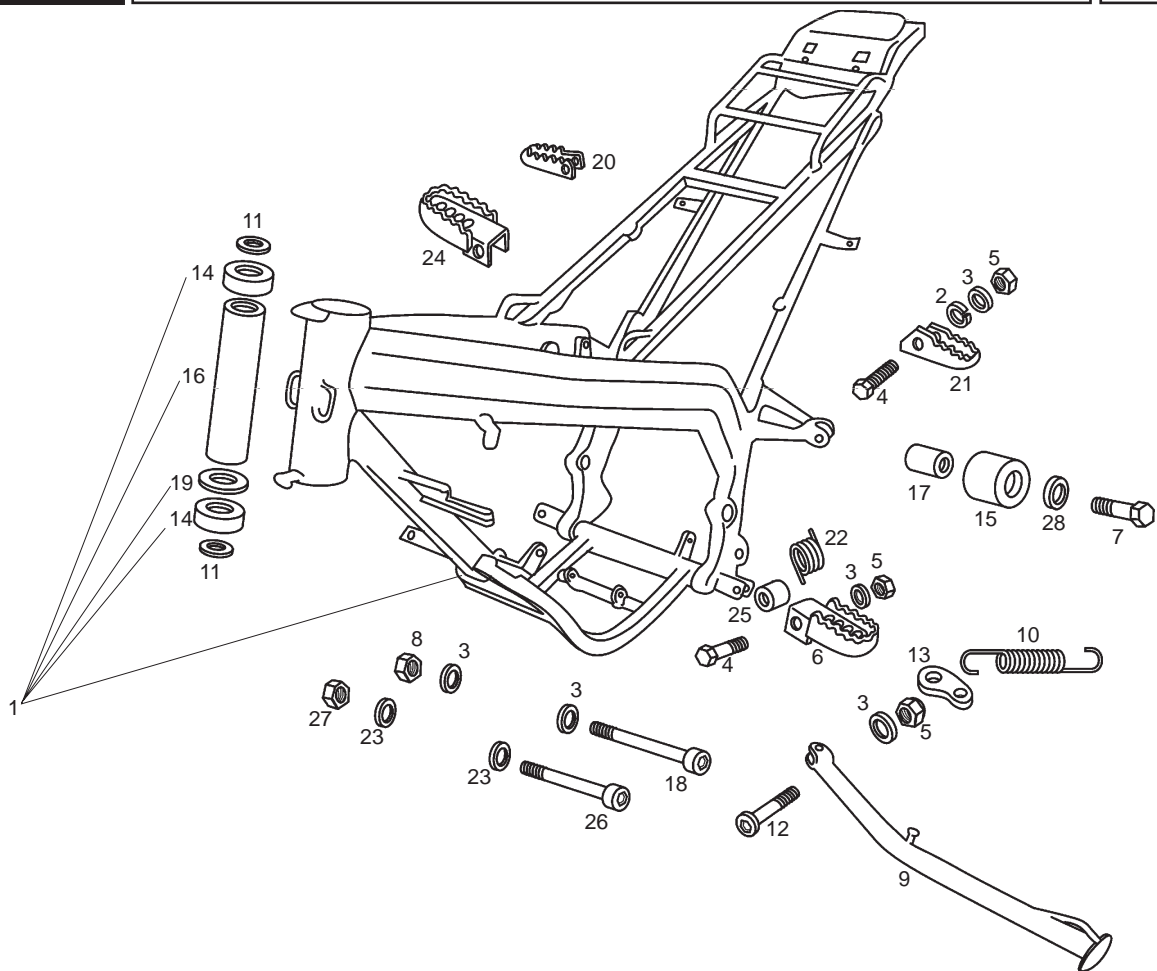


LAMINA / STAMPA / DIAGRAM / BILD / FEUILLE - 24

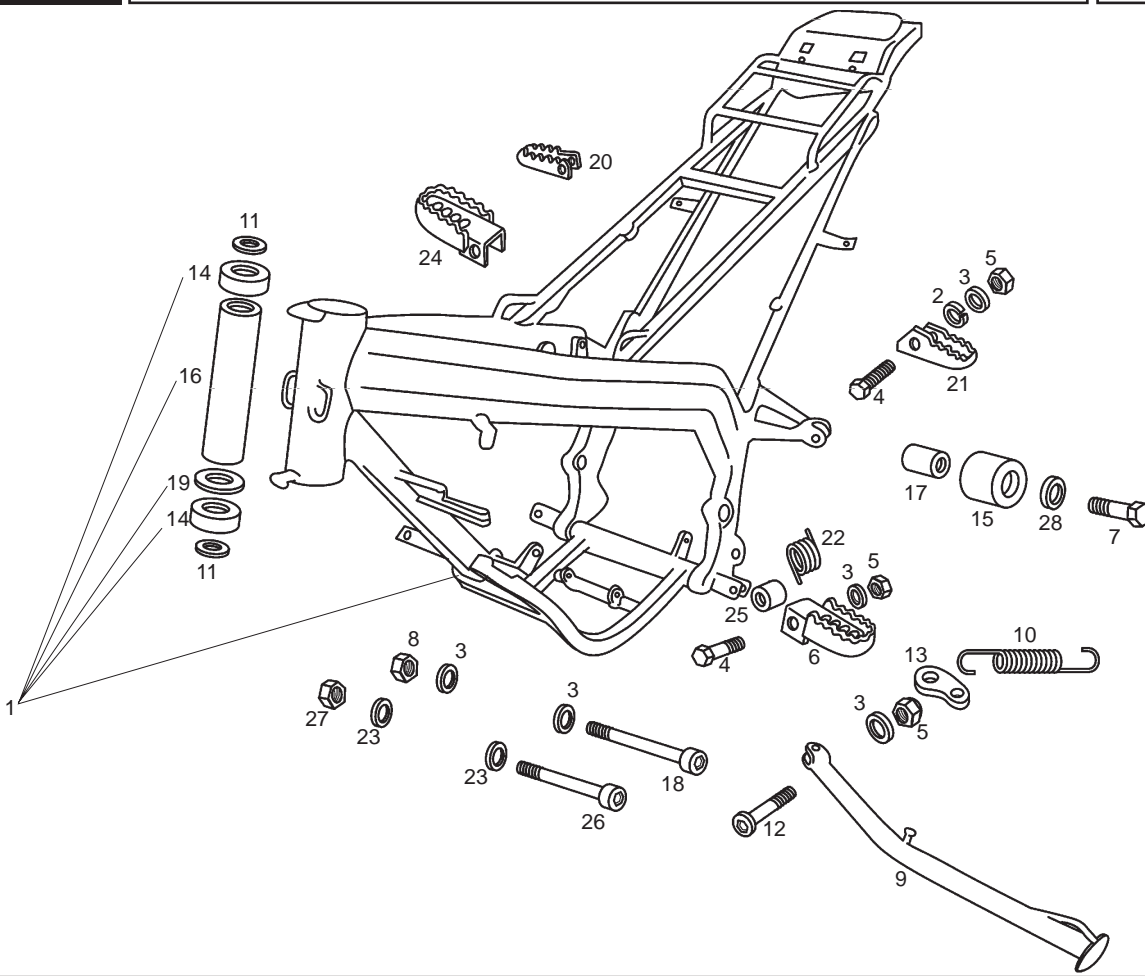




| Fig. | Ver. | COD. KOD. | DESCRIPCIÓN DENOMINAZIONE NAME | BEZEICHUNG DESIGNATION | MOD. | NOTAS NOTES NOTA MITSCHRIFT NOTES |
|------|------|--------------|---|---|-------------|-----------------------------------|
| 01A | | 00H01961602 | R-CTO CUADRO CON RODAMIENTOS TELAIO FRAME | RAHMEN SOUS ENSEMBLE CADRE | 1 2 3 4 5 6 | |
| 02A | | 00036008000 | ARANDELA MUELLE RONDELLA WASHER | SCHEIBE RONDELLE | 1 2 3 4 5 6 | |
| 03A | | 00402080001 | ARANDELA D8 RONDELLA WASHER | SCHEIBE RONDELLE | 1 2 3 4 5 6 | |
| 04A | | 00022084021 | TORNILLO C/EXAG. 8M125X40 VITE SCREW | SCHRAUBE VIS | 1 2 3 4 5 6 | |
| 05A | | 00023108000 | TUERCA AUTOBLOCANTE 8M125 DADO NUT | MUTTER ECROU | 1 2 3 4 5 6 | |
| 06A | | 00H02201312 | SCTO.ESTRIBERA IZQUIERDA PILOTO APOG. SIN. LEFT FOOTREST | FUSSRASTER LINKS REPOSE PIED GAUCHE | 1 2 3 4 5 6 | |
| 07A | | 00022084521 | TORNILLO C/EXAG. 8M125X45 VITE SCREW | SCHRAUBE VIS | 1 2 3 4 5 6 | |
| 08A | | 00262080022 | TUERCA AUTOBLOCANTE 8M125 DADO NUT | MUTTER ECROU | 1 2 3 4 5 6 | |
| 09A | 01 | 00H00819012 | PATA CABALLETE ZAMPA CVALETTTO SIDE STAN SUB-ASSY | SEITENSTANDER BEQUILLE LATERALE | 1 2 3 4 5 6 | |
| 09A | | 00H00819012A | PATA CABALLETE ZAMPA CVALETTTO SIDE STAN SUB-ASSY | SEITENSTANDER BEQUILLE LATERALE | 1 2 3 4 5 6 | |
| 10A | | 00H00804081 | MUELLE PATA CABALLETE MOLLA ZAMPA CAVALLETTTO SIDE STAND SPRING | FEDER GESTELLFUSS AUSSEN RESSORT DE BEQUILLE | 1 2 3 4 5 6 | |



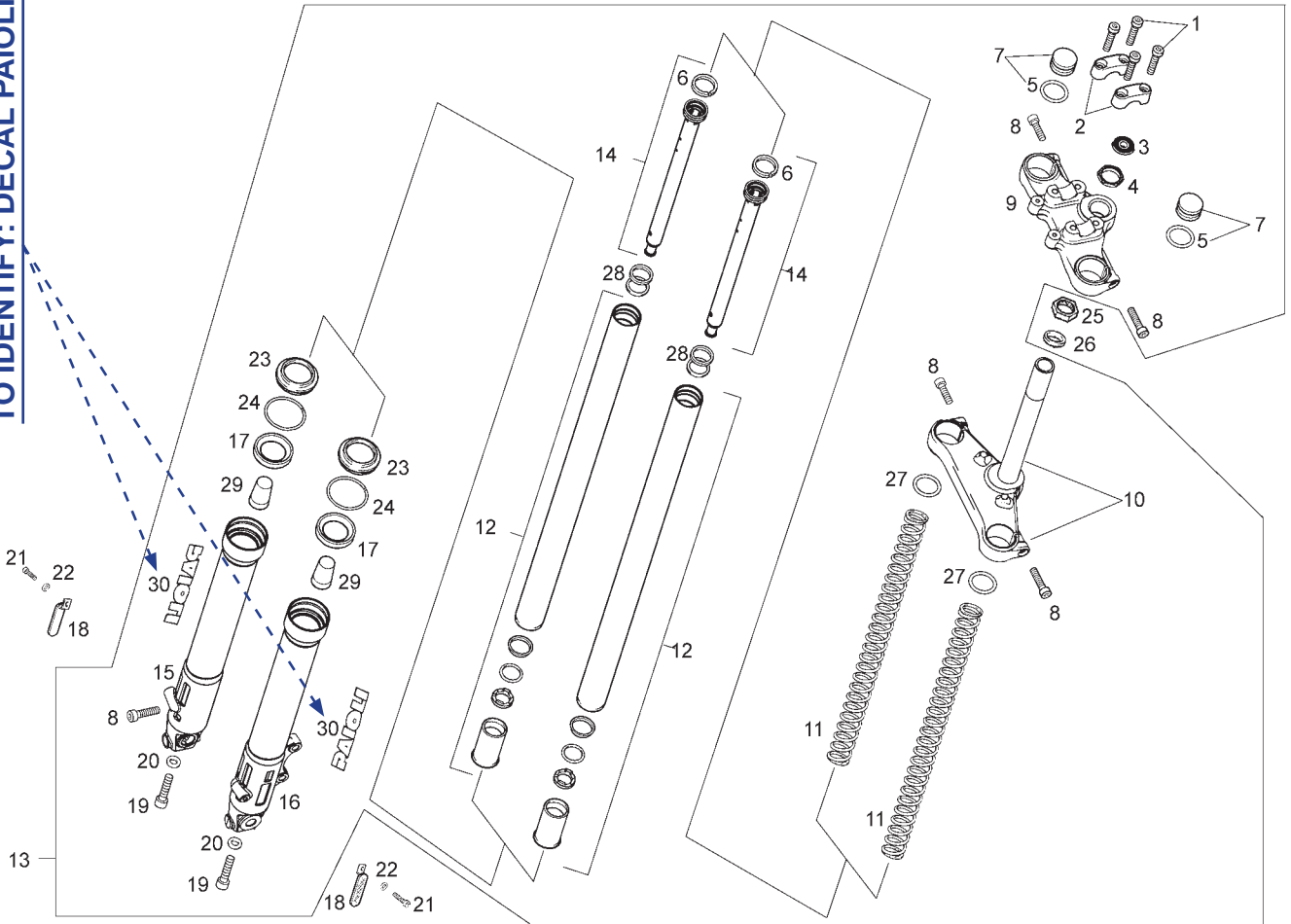
| Fig. | Ver. | COD. KOD. | DESCRIPCIÓN DENOMINAZIONE NAME | BEZEICHUNG DESIGNATION | MOD. | NOTAS NOTES NOTA MITSCHRIFT NOTES |
|------|------|-------------|--|--|-------------|-----------------------------------|
| 11A | | 00008902630 | ARANDELA TAPON TUBO PIERNA RONDELLA WASHER | SCHEIBE RONDELLE | 1 2 3 4 5 6 | |
| 12A | | 00H00805072 | TORNILLO FIJ. PATA CABALLETE VITE SCREW | SCHRAUBE VIS | 1 2 3 4 5 6 | |
| 13A | | 00H00800422 | PLACA RETORNO CABALLETE PIASTRINA RITORNO CAVALLETTA G SPRING KIK-STAND SUPPORT | PLATTE F. GESTELLRUCKFUHRU SUPPORT RESSORT DE BEQUILLE | 1 2 3 4 5 6 | |
| 14A | | 00000056205 | COJINETE CUSCINETTO BEARING | LAGER COUSSINET | 1 2 3 4 5 6 | |
| 15A | | 00H01801771 | RODILLO TENSOR CADENA RULLO TENSORE CATENA CHAIN SUPPORTY GUIDE | ROLLE ROULETTE GUIDE CHAINE | 1 2 3 4 5 6 | |
| 16A | | 00H06301401 | TUBO SEPARADOR RDMTO.DIRECC. TUBO SEPARAZIONE CUSCINETTO ST STEERING BEARING SEPARATOR TUB | DISTANZROHR LENKUNGLAGER TUBE SEPARATION ROULEMENT | 1 2 3 4 5 6 | |
| 17A | | 00002518790 | CASQUILLO GUIA CADENA GHIERA SOCKET CHAIN GUIDE | DISTANZ ENTRETOISE GUIDE CHAINE | 1 2 3 4 5 6 | |
| 18A | | 00H02500272 | TORNILLO FIJ.INF.MOTOR ALL.8M125X90 VITE SCREW | SCHRAUBE VIS | 1 2 3 4 5 6 | |
| 19A | | 00H06500451 | ARANDELA COJIN.TUBO DIRECCION RONDELLA BRONZINA TUBO STERZO STEERING TUBE BEARING WASHER G | STEERING TUBE BEARING WASHER G RONDELLE COUSSINET TUBE DIRECT | 1 2 3 4 5 6 | |
| 20A | | 00D01520096 | ESTRIBERA DERECHA PASAJERO PEDANA DESTRA RIGHT FOOT REST | FUSSRASTER RECHTS REPOSE-PIED DROIT | 1 2 3 4 5 6 | |
| 21A | | 00D01540456 | ESTRIBERA IZQUIERDA PASAJERO PEDANA SINISTRA LEFT FOOT REST | FUSSRASTER LINKS REPOSE-PIED GAUCHE | 1 2 3 4 5 6 | |



| Fig. | Ver. | COD. KOD. | DESCRIPCIÓN DENOMINAZIONE NAME | BEZEICHNUNG DESIGNATION | MOD. | NOTAS NOTES NOTA MITSCHRIFT NOTES |
|------|------|-------------|--|--|-------------|-----------------------------------|
| 22A | | 00H04903292 | MUELLE FIJACION ESTRIBERA MOLLA FISSAGGIO PREDELLINO PILLION FOOTREST SECURING | FEDER RESSORT | 1 2 3 4 5 6 | |
| 23A | | 00402100001 | ARANDELA PLANA D10 RONDELLA WASHER | SCHEIBE RONDELLE | 1 2 3 4 5 6 | |
| 24A | | 00H02201302 | SCTO. ESTRIBERA DERECHA PILOTO APPOG. DES. RIGHT FOOTREST | FUSSRASTER RECHTS REPOSE PIED DROIT | 1 2 3 4 5 6 | |
| 25A | | 00002215152 | CASQUILLO FIJACION ESTRIBERA GIUNTO SEAL | DICHTRING JOINT | 1 2 3 4 5 6 | |
| 26A | | 00H03000272 | TORNILLO FIJ. DT. MTO. ALL. 10M150X100 VITE SCREW | SCHRAUBE VIS | 1 2 3 4 5 6 | |
| 27A | | 00262100032 | TUERCA AUTOBLOCANTE 10M150 DADO NUT | MUTTER ECROU | 1 2 3 4 5 6 | |
| 28A | | 00003306570 | ARANDELA FIJACION RONDELLA WASHER | SCHEIBE RONDELLE | 1 2 3 4 5 6 | |

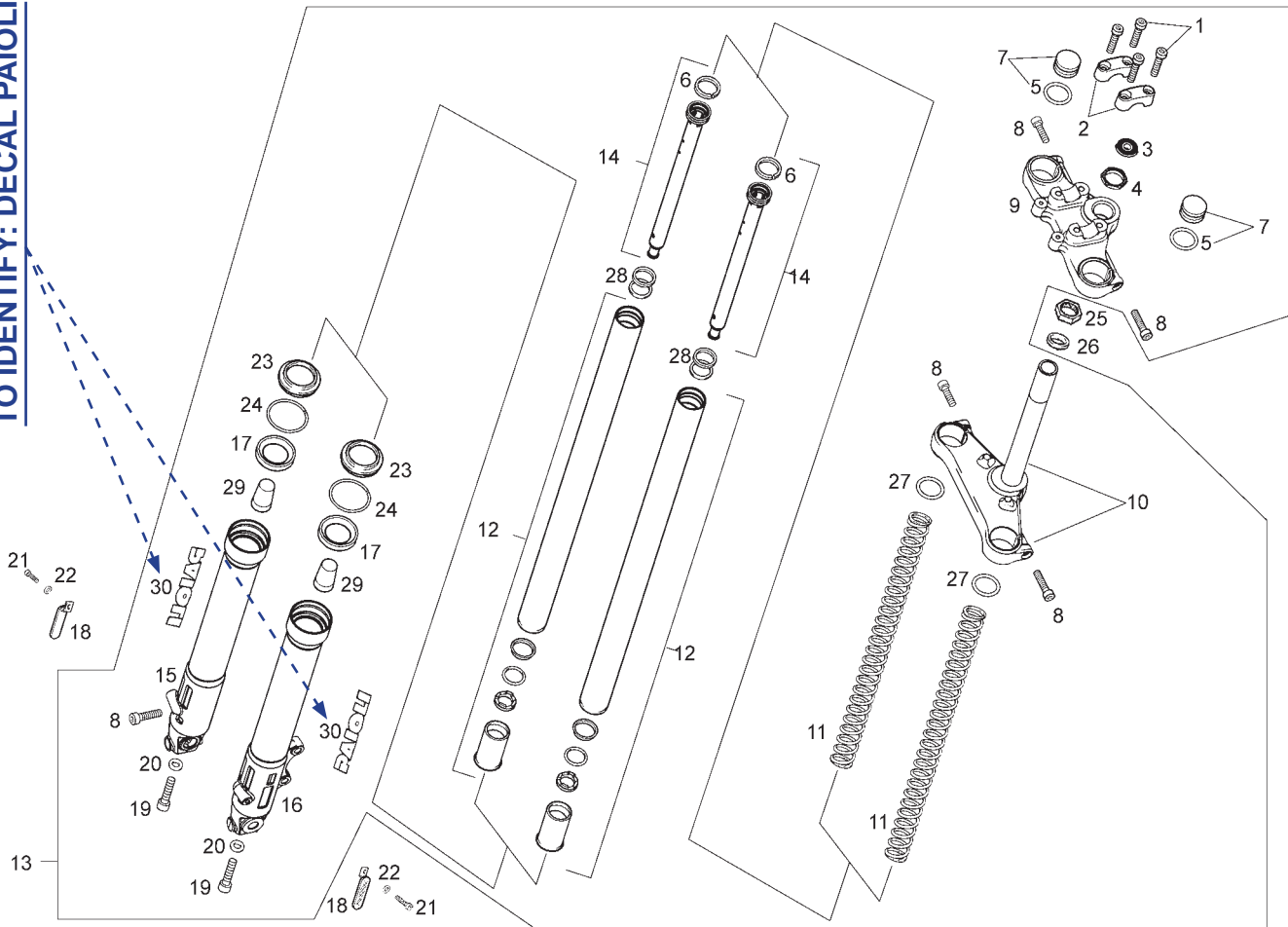
PAIOLI

TO IDENTIFY: DECAL PAIOLI



| Fig. | Ver. | COD. KOD. | DESCRIPCIÓN DENOMINAZIONE NAME | BEZEICHUNG DESIGNATION | MOD. | NOTAS NOTES NOTA MITSCHRIFT NOTES |
|------|------|-------------|---|---|-------------|-----------------------------------|
| 01A | | 863143 | TORNILLO M8X40 VITE SCREW | SCHRAUBE VIS | 1 2 3 4 5 6 | |
| 02A | | 863144 | PUENTE FIJACION MANILLAR CAVALLOTTO CLAMP | BEF.-SCHELLE ENTRETOISE | 1 2 3 4 5 6 | |
| 03A | | 863145 | GUARDAPOLVO PARAPOLVERE DUSTGUARD | STAUBFANGER POUSSIÈRE | 1 2 3 4 5 6 | |
| 04A | | 00H00204601 | TUERCA PLATINA SUPERIOR DADO NUT | MUTTER ECROU | 1 2 3 4 5 6 | |
| 05A | | 863146 | ANILLO TORICO ANELLO TORICO O-RING | O-RING JOINT | 1 2 3 4 5 6 | |
| 06A | | 863147 | ANILLO PISTON HIDRAULICO ANELLO RING | RING JOINT | 1 2 3 4 5 6 | |
| 07A | | 863148 | CTO TAPON PIERNA HORQUILLA TAPPO GAMBA FORCELLA FORK TUBE CAP | PFROPFEN F. GABELSCHENKEL BOUCHON | 1 2 3 4 5 6 | |
| 08A | | 863149 | TORNILLO M8X35 VITE SCREW | SCHRAUBE VIS | 1 2 3 4 5 6 | |
| 09A | | 863150 | PLATINA SUPERIOR FLANGIA SUP. FORCELLA HANDLEBAR LOCK CLAMP | BUGEL ETRIER FIX. GUIDON | 1 2 3 4 5 6 | |
| 10A | | 863151 | CTO TIJA PLATINA FUSTO PIASTRA LOWER TRIPLE CLAMP | SATTELSTANGE PLATINE INF. AVEC PIVOT | 1 2 3 4 5 6 | |
| 11A | | 863152 | MUELLE HORQUILLA MOLLA FORCELLA FORK SPRING | GABELFEDER RESSORT DE FOURCHE | 1 2 3 4 5 6 | |

TO IDENTIFY: DECAL PAIOLI

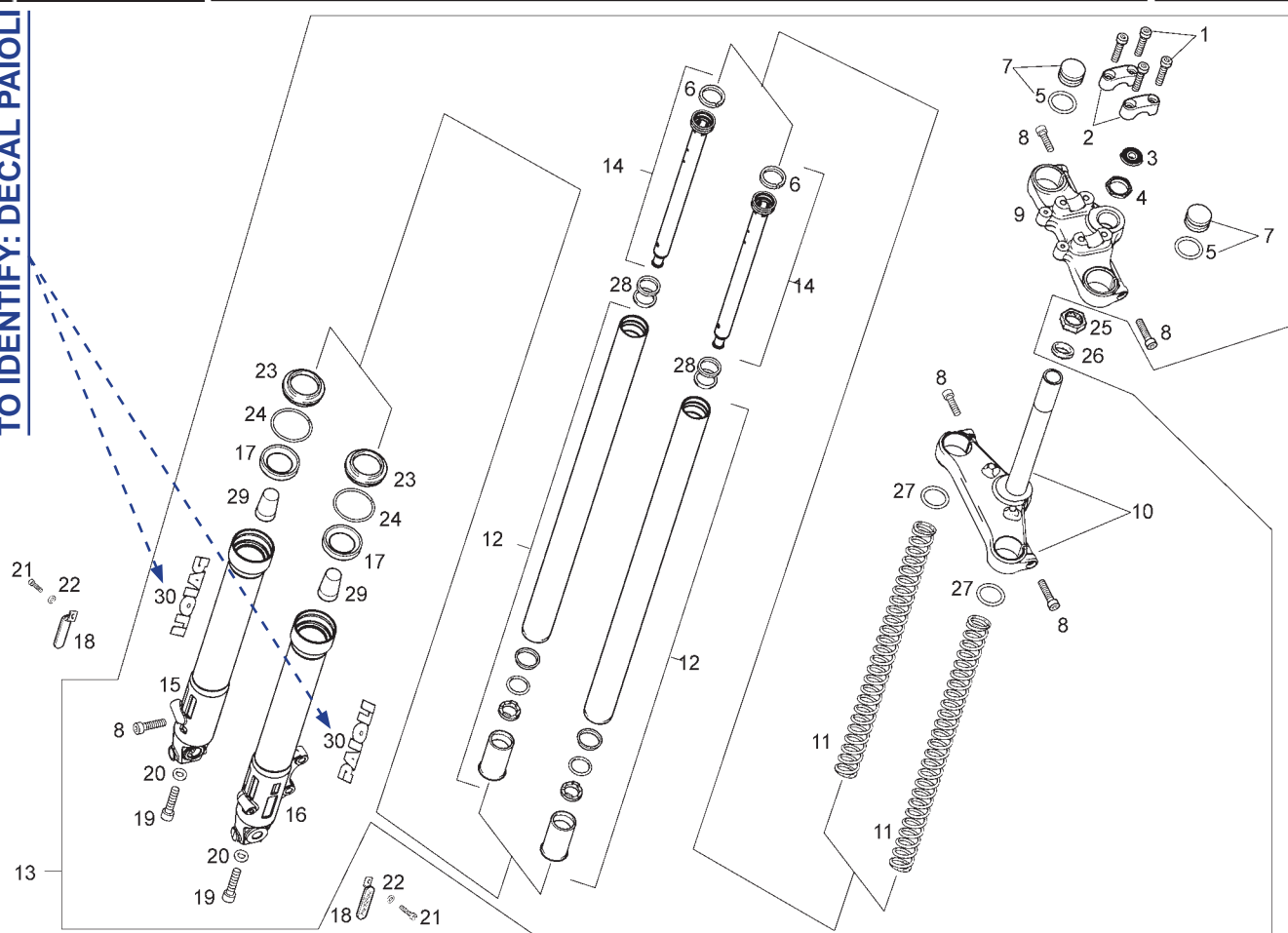


PAIOLI

| Fig. | Ver. | COD. KOD. | DESCRIPCIÓN DENOMINAZIONE NAME | BEZEICHUNG DESIGNATION | MOD. | NOTAS NOTES NOTA MITSCHRIFT NOTES |
|------|------|-------------|---|---|-------------|-----------------------------------|
| 12A | | 863153 | CTO BARRA HORQUILLA BARRA GAMBA FORCELLA FORK BAR | GABELSTANKE BARRE DE FOURCHE | 1 2 3 4 5 6 | |
| 13A | | 861001 | CTO HORQUILLA FORCELLA DIRETT FORK ASSY | LENKGABEL FOURCHE DIRITICE | 1 2 3 4 5 6 | |
| 14A | | 863154 | SCTO TUBO HIDRAULICO TUBO IDRAULICO DAMPER TUBE | HYDRAULIKROHR TUBE HYDRAULIQUE | 1 2 3 4 5 6 | |
| 15A | | 863155 | PIERNA HORQUILLA DERECHA GAMBA FORCELLA DE. RH. FORK TUBE LOWER | PFROPFEN F. GABELSCHENKEL RE. BOUCHON DROITE | 1 2 3 4 5 6 | |
| 16A | | 863156 | PIERNA HORQUILLA IZQUIERDA GAMBA FORCELLA SI. LH. FORK TUBE LOWER | PFROPFEN F. GABELSCHENKEL LI. BOUCHON GAUCHE | 1 2 3 4 5 6 | |
| 17A | | 863157 | RETEN PIERNA HORQUILLA PARAOLIO SEAL | DICHTRING JOINT | 1 2 3 4 5 6 | |
| 18A | 01 | 00H01802081 | CAPTAFAROS CATARIFRANGENTE REFLECTOR | TRAHLER CATADIOPTRE | 1 2 3 4 5 6 | |
| 18A | | 866675 | CAPTAFAROS (ADESIVO) CATARIFRANGENTE REFLECTOR | TRAHLER CATADIOPTRE | 1 2 3 4 5 6 | |
| 19A | | 863158 | TORNILLO M10X35 VITE SCREW | SCHRAUBE VIS | 1 2 3 4 5 6 | |
| 20A | | 863159 | ARANDELA COBRE RONDELLA WASHER | SCHEIBE RONDELLE | 1 2 3 4 5 6 | |
| 21A | | 00008061500 | TORNILLO C/RED. ALLEN 6M100X16 VITE SCREW | SCHRAUBE VIS | 1 2 3 4 5 6 | |

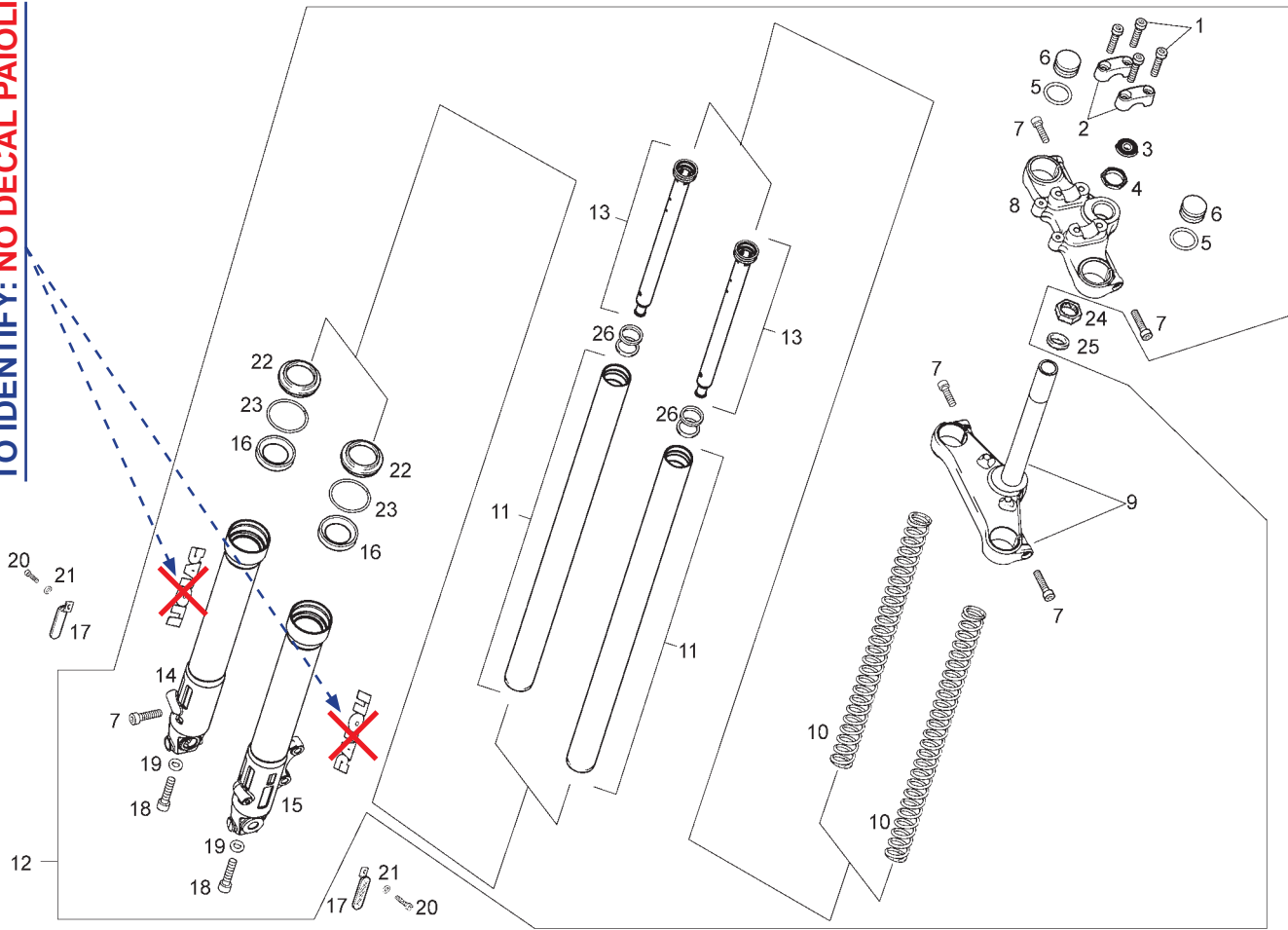
PAIOLI

TO IDENTIFY: DECAL PAIOLI



| Fig. | Ver. | COD. KOD. | DESCRIPCIÓN DENOMINAZIONE NAME | BEZEICHNUNG DESIGNATION | MOD. | NOTAS NOTES NOTA MITSCHRIFT NOTES |
|------|------|-------------|--|-------------------------|-------------|-----------------------------------|
| 22A | | 00031106000 | ARANDELA PLANA D6 RONDELLA WASHER | SCHEIBE RONDELLE | 1 2 3 4 5 6 | |
| 23A | | 863160 | GUARDAPOLVO PIERNA HORQUILLA PARAPOLVERE DUSTGUARD | STAUBFANGER POUSSIERE | 1 2 3 4 5 6 | |
| 24A | | 863161 | ANILLO RETEN ACEITE ANELLO FERMA PARAOLIO O-RING | O-RING JOINT DE JAUGE | 1 2 3 4 5 6 | |
| 25A | | 00G00200112 | TUERCA FIJACION TIJA DADO NUT | MUTTER ECROU | 1 2 3 4 5 6 | |
| 26A | | 00D00200761 | GUARDAPOLVO DIRECCION PARAPOLVERE DUSTGUARD | STAUBFANGER POUSSIERE | 1 2 3 4 5 6 | |
| 27A | | 863162 | ARANDELA RONDELLA WASHER | SCHEIBE RONDELLE | 1 2 3 4 5 6 | |
| 28A | | 863163 | MUELLE PISTON HIDRAULICO MOLLA SPRING | FEDER RESSORT | 1 2 3 4 5 6 | |
| 29A | | 863164 | CASQUILLO CONICO GHIERA BUSHING | BUCHSE ENTRETOISE | 1 2 3 4 5 6 | |
| 30A | | 00H02000051 | CALCA "PAIOLI" PIERNA HORQUILLA ADESIVO DECAL | SCHRIFTZUG ADHESIF | 1 2 3 4 5 6 | |

TO IDENTIFY: NO DECAL PAIOLI

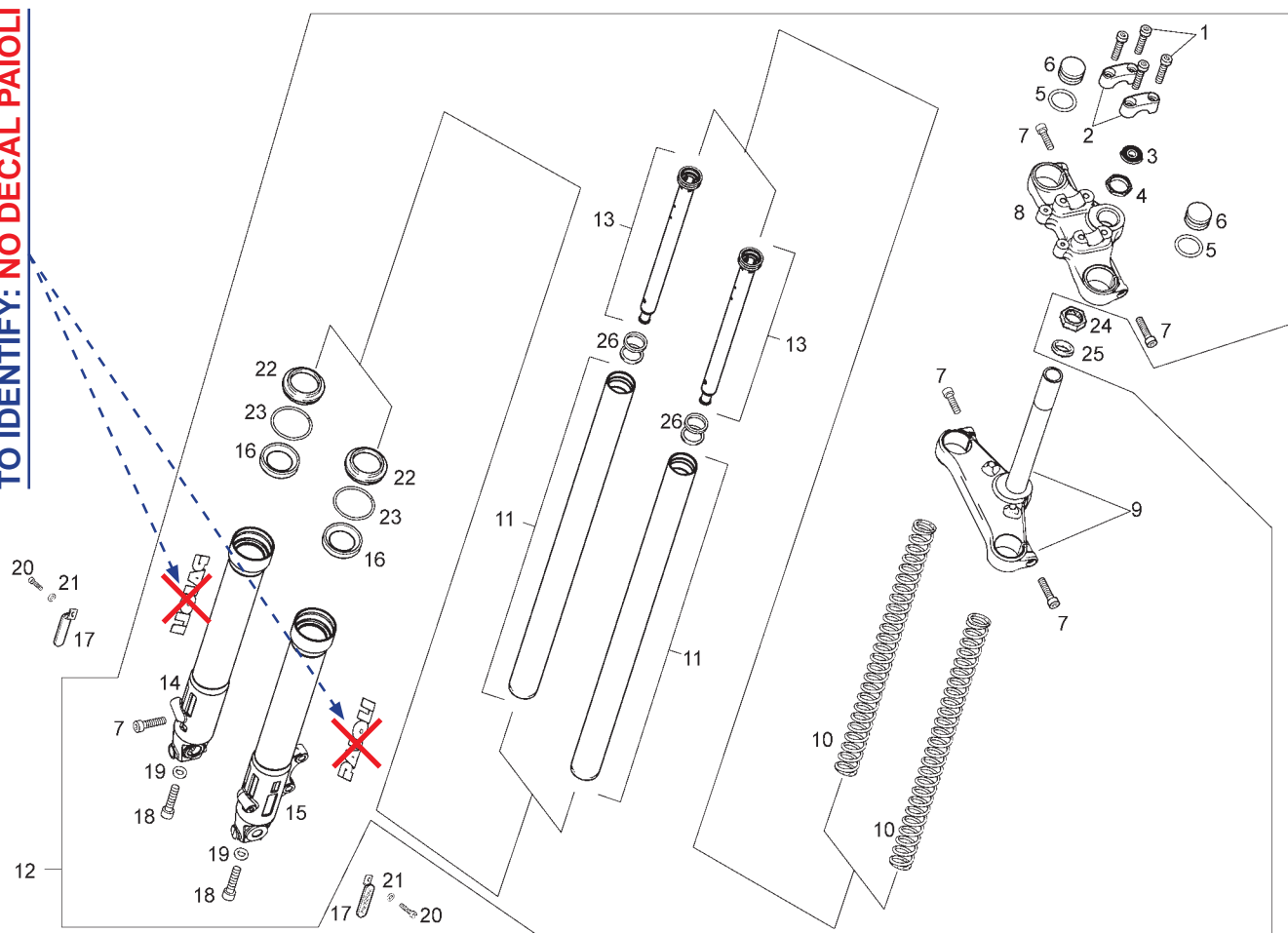


ESCORTS

| Fig. | Ver. | COD. KOD. | DESCRIPCIÓN DENOMINAZIONE NAME | BEZEICHUNG DESIGNATION | MOD. | NOTAS NOTES NOTA MITSCHRIFT NOTES |
|------|------|-----------|---|---|-------------|-----------------------------------|
| 01A | | 866582 | TORNILLO ALLEN M8x35 VITE SCREW | SCHRAUBE VIS | 1 2 3 4 5 6 | |
| 02A | | 866579 | PUENTE FIJACION MANILLAR CAVALLOTTO CLAMP | BEF.-SCHELLE ENTRETOISE | 1 2 3 4 5 6 | |
| 03A | | 866577 | TAPON DE GOMA PARAPOLVERE DUSTGUARD | STAUBFANGER POUSSIÈRE | 1 2 3 4 5 6 | |
| 04A | | 866578 | TUERCA PLATINA SUPERIOR DADO NUT | MUTTER ECROU | 1 2 3 4 5 6 | |
| 05A | | 866584 | ANILLO TORICO TAPON PIERNA ANELLO TORICO O-RING | O-RING JOINT | 1 2 3 4 5 6 | |
| 06A | | 866583 | TAPON PIERNA HORQUILLA TAPPO GAMBA FORCELLA FORK TUBE CAP | PFROPFEN F. GABELSCHENKEL BOUCHON | 1 2 3 4 5 6 | |
| 07A | | 866582 | TORNILLO ALLEN VITE SCREW | SCHRAUBE VIS | 1 2 3 4 5 6 | |
| 08A | | 866580 | PLATINA SUPERIOR FLANGIA SUP. FORCELLA HANDLEBAR LOCK CLAMP | BUGEL ETRIER FIX. GUIDON | 1 2 3 4 5 6 | |
| 09A | | 866581 | CTO TIJA PLATINA FUSTO PIASTRA LOWER TRIPLE CLAMP | SATTELSTANGE PLATINE INF. AVEC PIVOT | 1 2 3 4 5 6 | |
| 10A | | 866585 | MUELLE PRINCIPAL SDA-R MOLLA FORCELLA FORK SPRING | GABELFEDER RESSORT DE FOURCHE | 1 2 3 4 5 6 | |
| 11A | | 866593 | TUBO PRINCIPAL BARRA GAMBA FORCELLA FORK BAR | GABELSTANKE BARRE DE FOURCHE | 1 2 3 4 5 6 | |

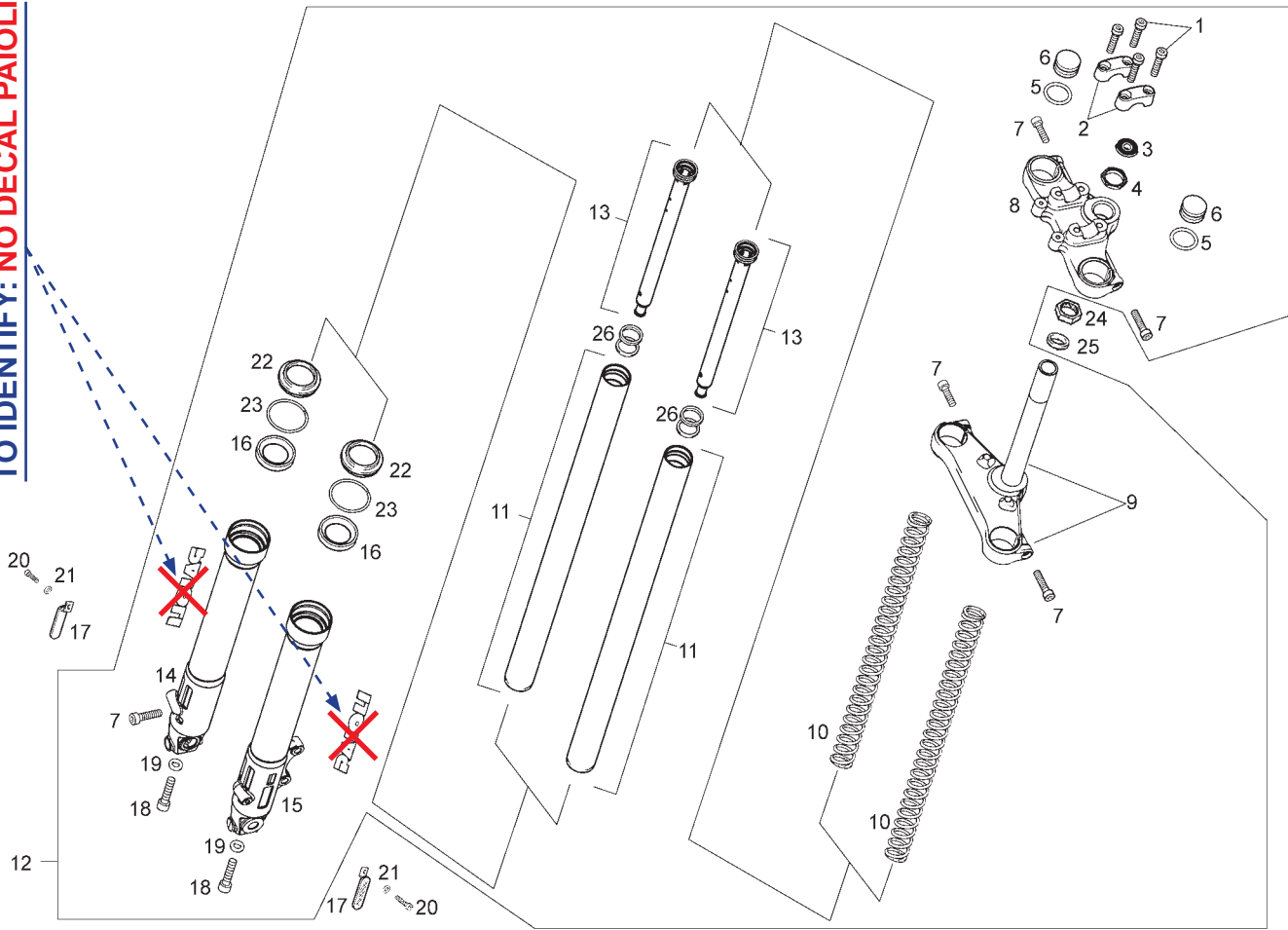
ESCORTS

TO IDENTIFY: NO DECAL PAIOLI



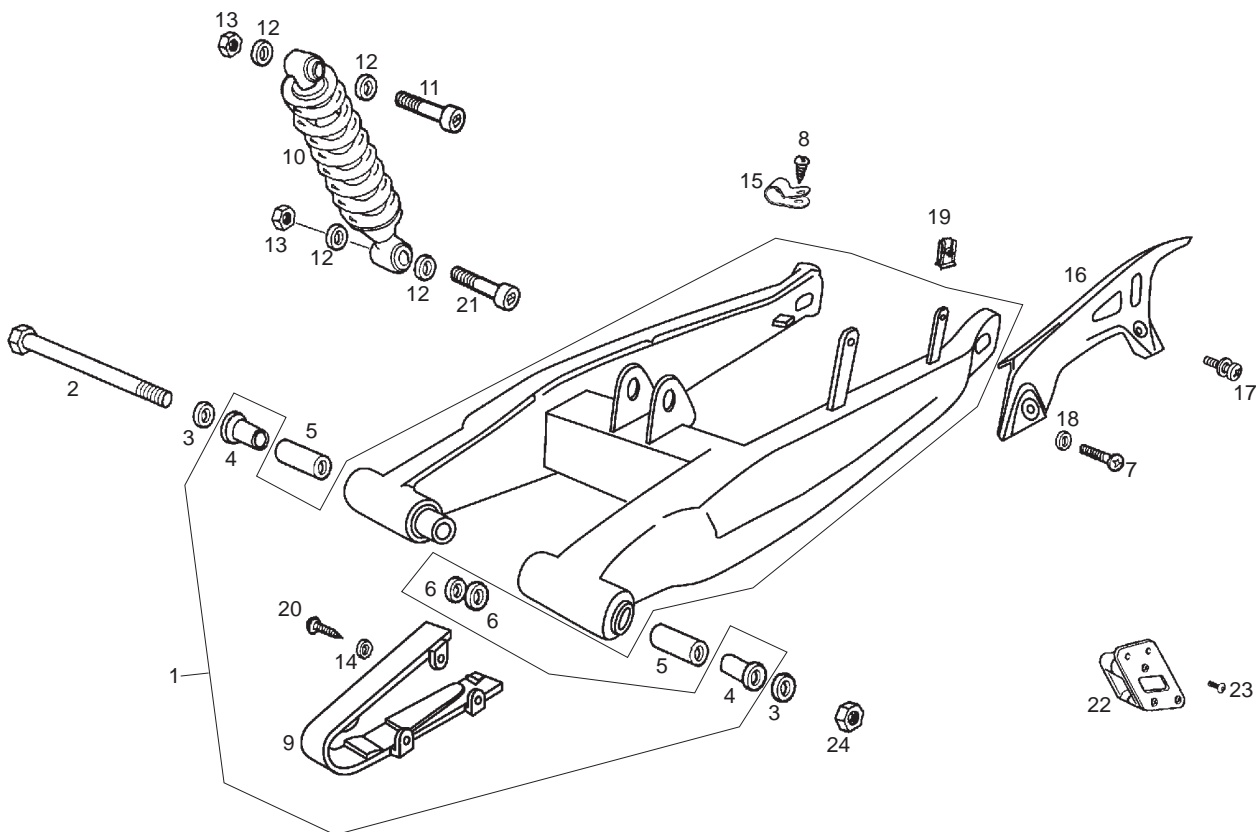
| Fig. | Ver. | COD. KOD. | DESCRIPCIÓN DENOMINAZIONE NAME | BEZEICHNUNG DESIGNATION | MOD. | NOTAS NOTES NOTA MITSCHRIFT NOTES |
|------|------|-------------|---|--|-------------|-----------------------------------|
| 12A | | 864416 | CTO HORQUILLA SEDA-R FORCELLA DIRETT FORK ASSY | LENKGABEL FOURCHE DIRITICE | 1 2 3 4 5 6 | |
| 13A | | 866589 | CTO HIDRAULICO SDA-R TUBO IDRAULICO DAMPER TUBE | HYDRAULIKROHR TUBE HYDRAULIQUE | 1 2 3 4 5 6 | |
| 14A | | 866594 | PIERNA DERECHA HORQUILLA GAMBA FORCELLA DE. RH. FORK TUBE LOWER | PFROPFEN F. GABELSCHENKEL RE. BOUCHON DROITE | 1 2 3 4 5 6 | |
| 15A | | 866595 | PIERNA IZQUIERDA HORQUILLA SDA-R GAMBA FORCELLA SI. LH. FORK TUBE LOWER | PFROPFEN F. GABELSCHENKEL LI. BOUCHON GAUCHE | 1 2 3 4 5 6 | |
| 16A | | 866592 | RETEN DE ACEITE PARAOLIO SEAL | DICHTRING JOINT | 1 2 3 4 5 6 | |
| 17A | 01 | 00H01802081 | CAPTAFAROS CATARIFRANGENTE REFLECTOR | TRAHLER CATADIOPTRE | 1 2 3 4 5 6 | |
| 17A | | 866675 | CAPTAFAROS (ADESIVO) CATARIFRANGENTE REFLECTOR | TRAHLER CATADIOPTRE | 1 2 3 4 5 6 | |
| 18A | | 866586 | TORNILLO ALLEN M10 VITE SCREW | SCHRAUBE VIS | 1 2 3 4 5 6 | |
| 19A | | 866587 | JUNTA TORNILLO ALLEN M10 RONDELLA WASHER | SCHEIBE RONDELLE | 1 2 3 4 5 6 | |
| 20A | | 00008061500 | TORNILLO C/RED. ALLEN 6M100X16 VITE SCREW | SCHRAUBE VIS | 1 2 3 4 5 6 | |
| 21A | | 00031106000 | ARANDELA PLANA D6 RONDELLA WASHER | SCHEIBE RONDELLE | 1 2 3 4 5 6 | |

TO IDENTIFY: NO DECAL PAIOLI

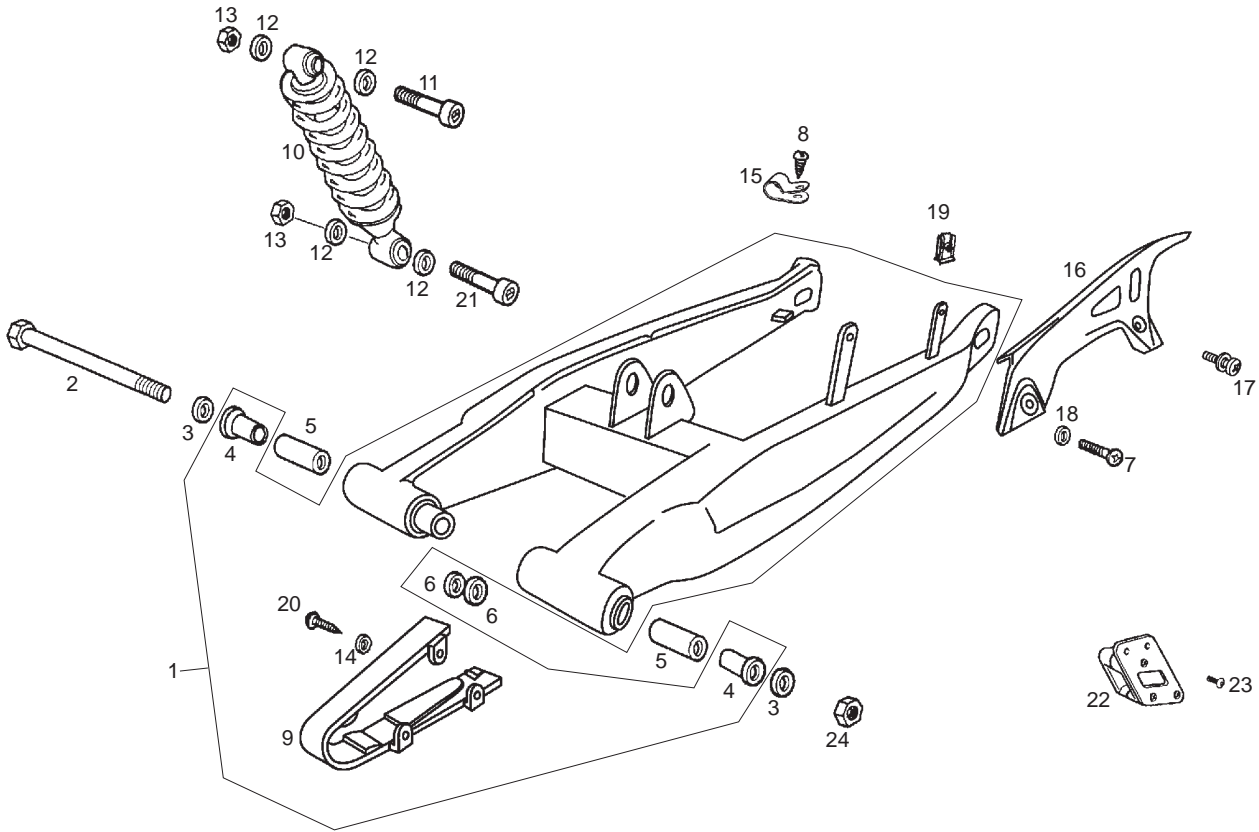


ESCORTS

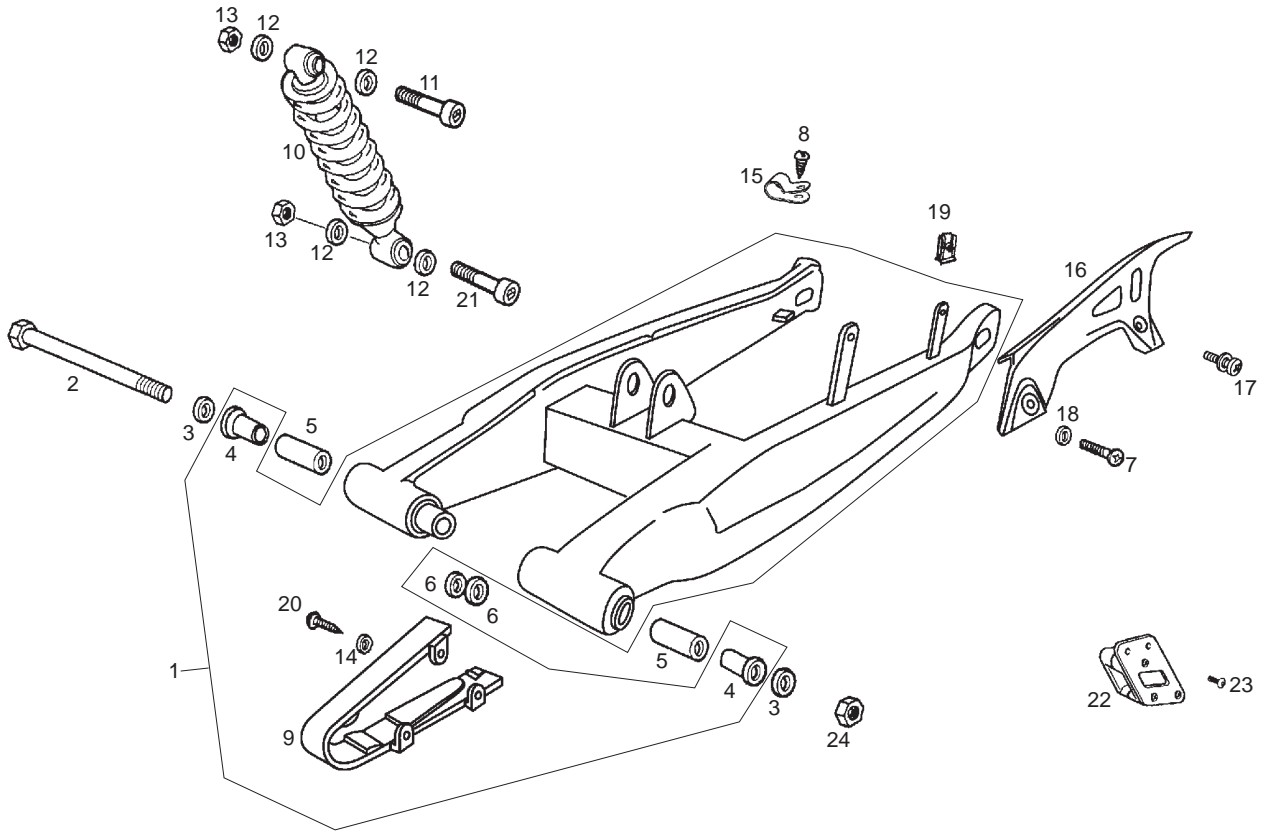
| Fig. | Ver. | COD. KOD. | DESCRIPCIÓN DENOMINAZIONE NAME | BEZEICHNUNG DESIGNATION | MOD. | NOTAS NOTES NOTA MITSCHRIFT NOTES |
|------|------|-------------|---|-------------------------|-------------|-----------------------------------|
| 22A | | 866590 | GUARDAPOLVO PARAPOLVERE DUSTGUARD | STAUBFANGER POUSSIÈRE | 1 2 3 4 5 6 | |
| 23A | | 866591 | ANILLO RETEN ANELLO FERMA PARAOLIO O-RING | O-RING JOINT DE JAUGE | 1 2 3 4 5 6 | |
| 24A | | 00G00200112 | TUERCA FIJACION TIJA DADO NUT | MUTTER ECROU | 1 2 3 4 5 6 | |
| 25A | | 00D00200761 | GUARDAPOLVO DIRECCION PARAPOLVERE DUSTGUARD | STAUBFANGER POUSSIÈRE | 1 2 3 4 5 6 | |
| 26A | | 866588 | ACELERADOR GAS THROTTLE | GASHEBEL GAZ | 1 2 3 4 5 6 | |



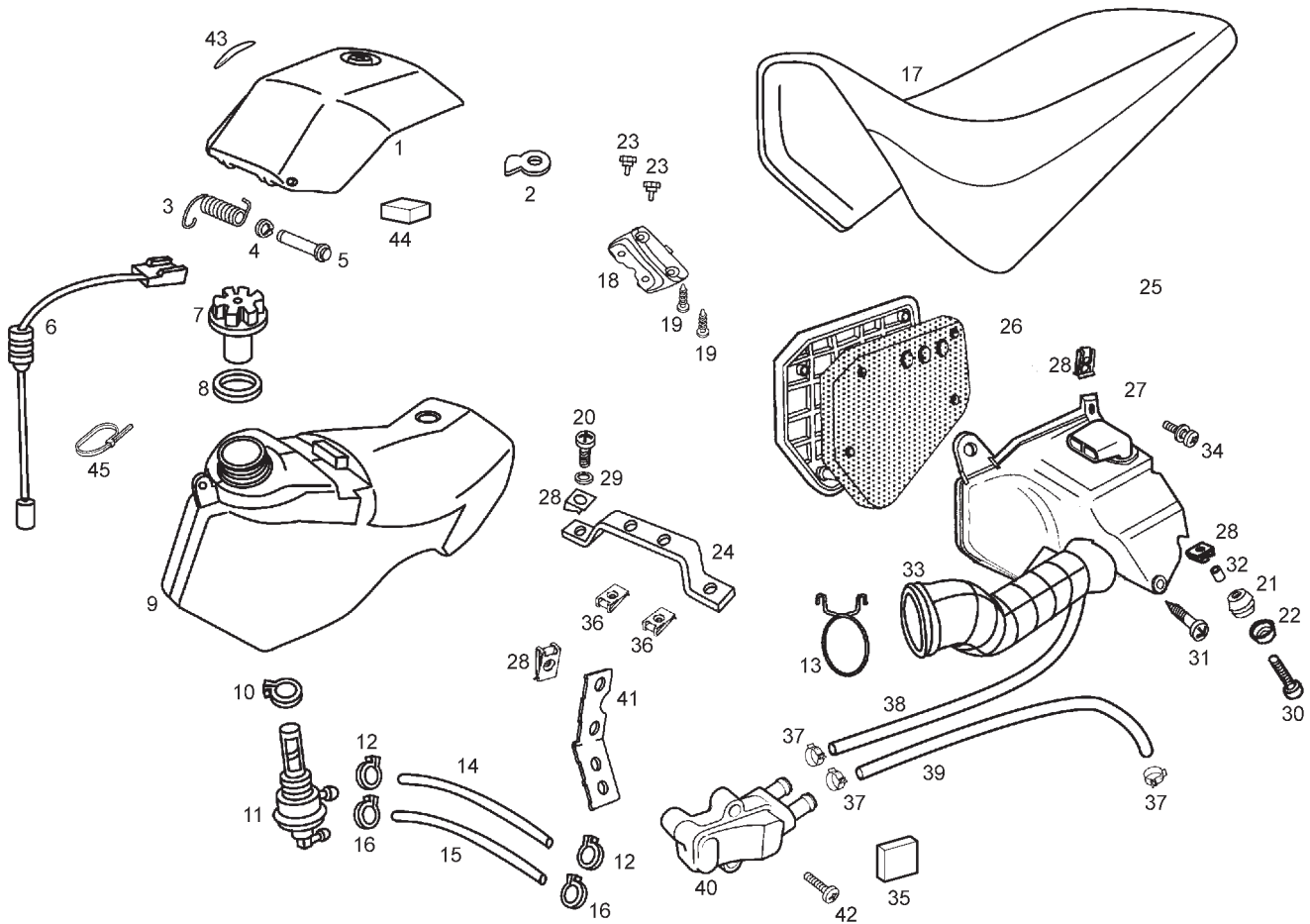
| Fig. | Ver. | COD. KOD. | DESCRIPCIÓN DENOMINAZIONE NAME | BEZEICHNUNG DESIGNATION | MOD. | NOTAS NOTES NOTA MITSCHRIFT NOTES |
|------|------|-------------|--|--|-------------|-----------------------------------|
| 01A | | 00H00308972 | R-CTO BASCULANTE C/CASQUILLOS SUBRIBALTABILE SWING ARM SUB-ASSY | SCHWINGENACHSE BRAS OSCILLANT | 1 2 3 4 5 6 | |
| 02A | | 00H01304202 | CTO. EJE RDA. TRAS. ASSE RUOTA POST. REAR WHEEL AXLE | HINTERRADACHSE AXE ROUE ARRIERE | 1 2 3 4 5 6 | |
| 03A | | 00003112322 | ARANDELA EJE RUEDA. RONDELLA WASHER | SCHEIBE RONDELLE | 1 2 3 4 5 6 | |
| 04A | | 00002503230 | CASQUILLO EJE BASCTE GHIERA ASSE RIBALTABILE SWING ARM BUSHING | BUCHSE ENTRETOISE AXE BRAS OSCIL | 1 2 3 4 5 6 | |
| 05A | | 00H00301401 | CASQUILLO GHIERA ORECCHIA MOTORE ENGINE BRACKET BUFFER BUSHING | BUCHSE ENTRETOISE AXE BRAS OSCIL | 1 2 3 4 5 6 | |
| 06A | | 00D01300192 | ARANDELA EJE RONDELLA WASHER | SCHEIBE RONDELLE | 1 2 3 4 5 6 | |
| 07A | | 00012061200 | TORNILLO 6M100X12 VITE SCREW | SCHRAUBE VIS | 1 2 3 4 5 6 | |
| 08A | | 00011041300 | TORNILLO AUTR. C/CRUZ 4,8 X 13 VITE SCREW | SCHRAUBE VIS | 1 2 3 4 5 6 | |
| 09A | | 00H01803331 | PLACA ROZAMTO CADENA. PIASTRA ATTRITO CATENA CHAIN FORCHIN PLATE | KETTEN-REIBPLATTE PLAQUE GLISSEMENT CHAINE | 1 2 3 4 5 6 | |
| 10A | | 00H01508191 | CTO.AMORTIGUADOR AMMORTIZZATORE SHOCK ABSORBER. | FEDERBEIN AMORTISSEUR | 1 2 3 4 5 6 | |
| 11A | | 00H00303892 | TORNILLO FIJ.SUP.AMORTIGUADOR VITE SCREW | SCHRAUBE VIS | 1 2 3 4 5 6 | |



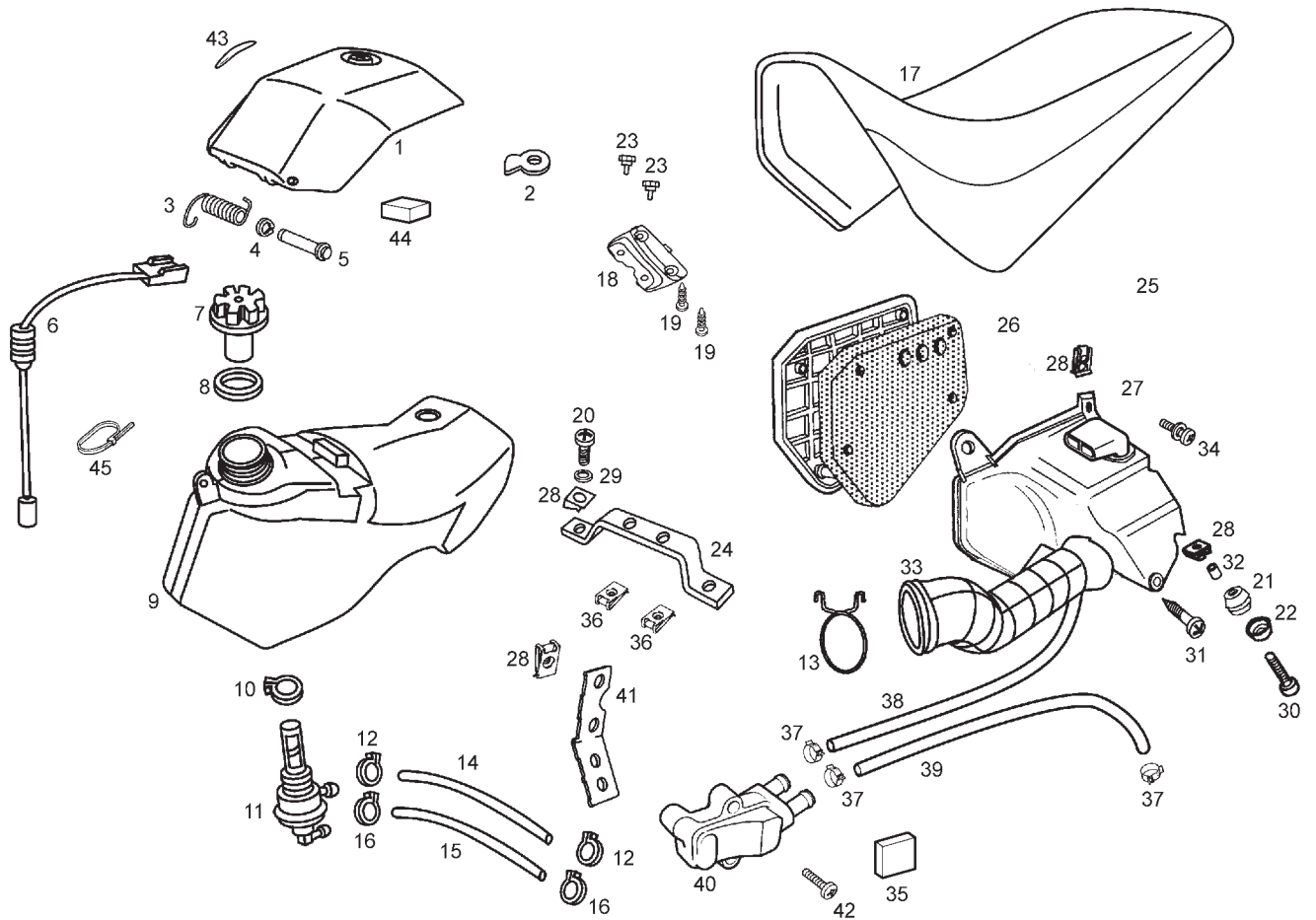
| Fig. | Ver. | COD. KOD. | DESCRIPCIÓN DENOMINAZIONE NAME | BEZEICHNUNG DESIGNATION | MOD. | NOTAS NOTES NOTA MITSCHRIFT NOTES |
|------|------|-------------|---|--|-------------|-----------------------------------|
| 12A | | 00003115422 | ARANDELA RONDELLA WASHER | SCHEIBE RONDELLE | 1 2 3 4 5 6 | |
| 13A | | 00023112000 | TUERCA AUTOBLOCANTE 12M175 DADO NUT | MUTTER ECROU | 1 2 3 4 5 6 | |
| 14A | | 00000031050 | ARANDELA PLANA D5 RONDELLA WASHER | SCHEIBE RONDELLE | 1 2 3 4 5 6 | |
| 15A | | 864454 | BRIDA FLANGIA CLAMP | BEF.-SCHELLE ENTRETOISE | 1 2 3 4 5 6 | |
| 16A | | 00H01508181 | CUBRECADENAS COPRICATENA CHAIN COVER | KETTENSCHUTZ COUVRE CHAINE | 1 2 3 4 5 6 | |
| 17A | | 00H05900021 | SCTO TORNILLO 6M100X16 VITE SCREW | SCHRAUBE VIS | 1 2 3 4 5 6 | |
| 18A | | 00D01200171 | ARANDELA RONDELLA WASHER | SCHEIBE RONDELLE | 1 2 3 4 5 6 | |
| 19A | | 00D01501371 | TUERCA FIJACION D6 DADO NUT | MUTTER ECROU | 1 2 3 4 5 6 | |
| 20A | | 00011141300 | TORNILLO AUT.C/CR.NG.4,8X13 VITE SCREW | SCHRAUBE VIS | 1 2 3 4 5 6 | |
| 21A | | 00H00300912 | TORN. INF. AMORT. 12 X 45 VITE FISSAGGIO AMORT. SHOCK ABSORBER SEC. SCREW | SOTSSDMPFER BEFESTIGUNGSM VIS FIXATION AMORTISSEUR | 1 2 3 4 5 6 | |
| 22A | | 86133R | CTO.GUIA CADENA GUIDA CATENA CHAIN GUIDE | GLEITBAHN GUIDE CHAINE | 1 2 3 4 5 6 | |



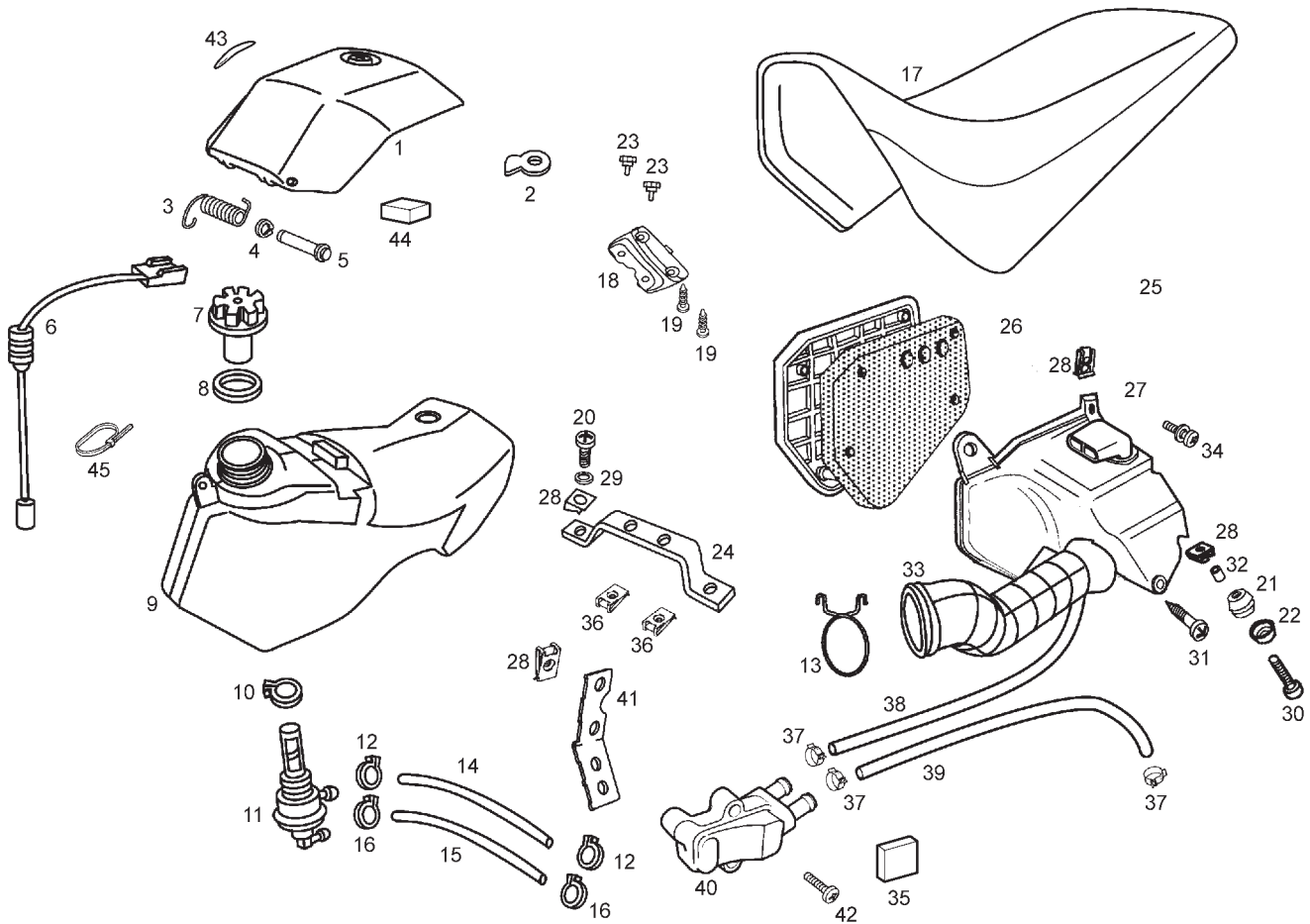
| Fig. | Ver. | COD. KOD. | DESCRIPCIÓN DENOMINAZIONE NAME | BEZEICHUNG DESIGNATION | MOD. | NOTAS NOTES NOTA MITSCHRIFT NOTES |
|------|------|-------------|--|------------------------|-------------|-----------------------------------|
| 23A | | 00012061000 | TORNILLO C/REDONDA 6X10 VITE SCREW | SCHRAUBE VIS | 1 2 3 4 5 6 | |
| 24A | | 00262120032 | TUERCA 12M150 DADO NUT | MUTTER ECROU | 1 2 3 4 5 6 | |



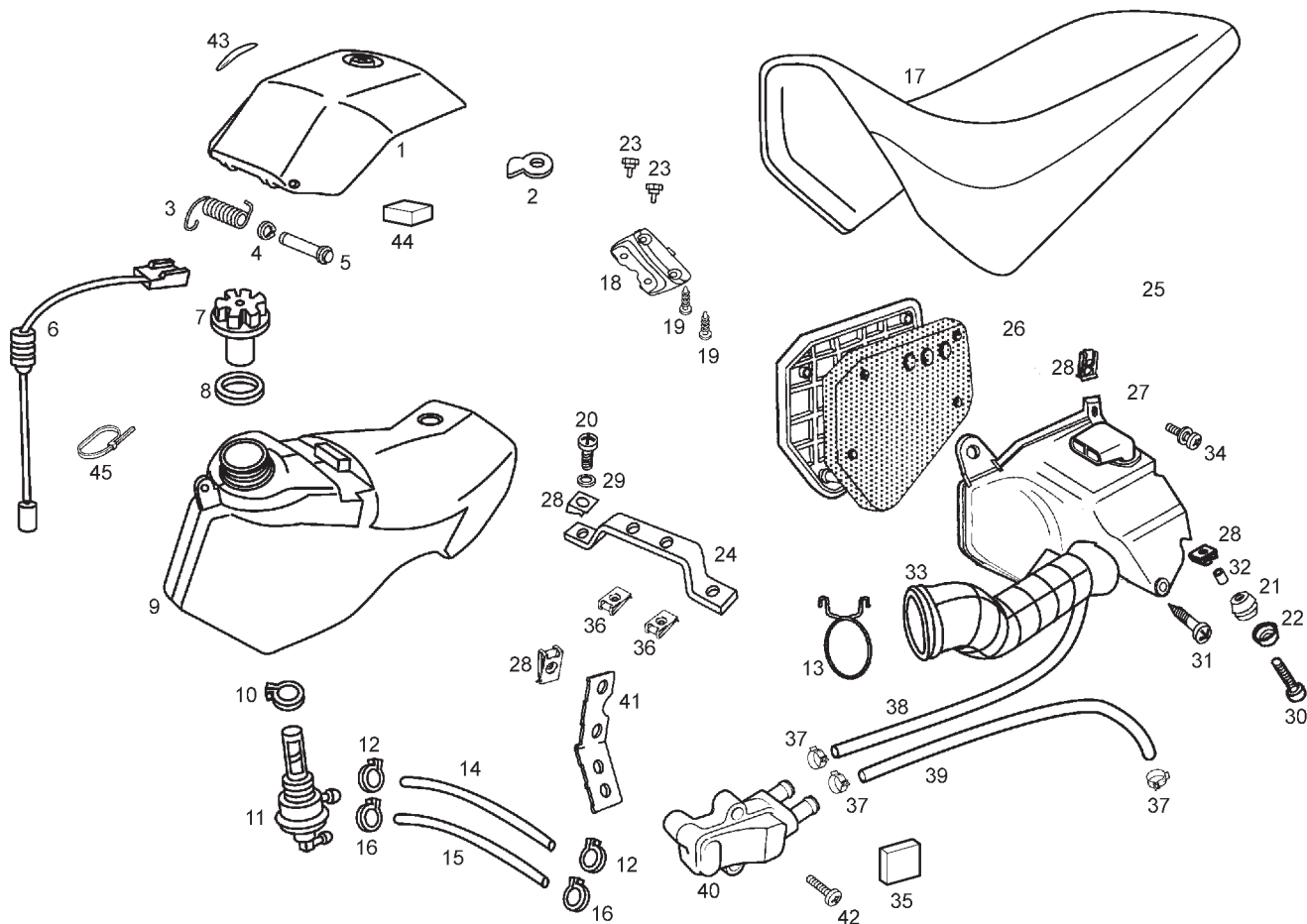
| Fig. | Ver. | COD. KOD. | DESCRIPCIÓN DENOMINAZIONE NAME | BEZEICHUNG DESIGNATION | MOD. | NOTAS NOTES NOTA MITSCHRIFT NOTES |
|------|------|-------------|---|--|-------------|-----------------------------------|
| 01A | | 00H00404687 | TAPA SUPERIOR DEPOSITO SUBCOMP.CARCASSA SUP.SERB. TOP TANK FRAME | TANKKLAPPE COUVERCLE DE RESERVOIR | 1 2 3 4 5 6 | |
| 02A | | 00H00604141 | PALANCA CIERRE LEVA LEVER | SCHLOSS-VERSCHLUSSHEBEL LEVIER FERMETURE SELLE | 1 2 3 4 5 6 | |
| 03A | | 00H06303762 | MUELLE ARTIC.TAPA DEPOSITO MOLLA ARTIC. COPER. SUP. SERB. SPRING | RITZELFEDER RESSORT | 1 2 3 4 5 6 | |
| 04A | | 00047030400 | ANILLO SEGURIDAD D4 ANELLO SICUREZZA ASSI PIN SECURING CIRCLIP | SICHERHEITSRING ACHSE ANNEAU SECURITE AXE | 1 2 3 4 5 6 | |
| 05A | | 00H06303752 | EJE ARTIC.TAPA DEPOSITO ASSE ARTIC. COPER.C.SUP.SERB. AXLE | STIFT AXE | 1 2 3 4 5 6 | |
| 06A | | 864489 | CTO NIVEL GASOLINA LIVELLO BENZINA GAS LEVEL SENSOR ASSY. | KRAFTSTOFFSTAND ENSEMBLE FLOTTEUR ESSENCE | 1 2 3 4 5 6 | |
| 07A | 01 | 00F00400131 | CTO TAPON DEPOSITO GASOLINA TAPPO SERBATOIO BENZINA FUEL TANK CAP ASSY | FUEL TANK CAP ASSY ENS.BOUCHON RESERV.ESSENCE V.B | 1 2 3 4 5 6 | |
| 07A | | 00G00401131 | CTO TAPON DEPOSITO GASOLINA TAPPO SERBATOIO BENZINA FUEL TANK CAP ASSY | FUEL TANK CAP ASSY ENS.BOUCHON RESERV.ESSENCE V.B | 1 2 3 4 5 6 | |
| 08A | | 00F00400771 | R-ARANDELA TAPON DEPOSITO RONDELLA TAPPO SERBATOIO FUEL TANK CAP WASHER | SCHEIBE F.TANKDECKEL R-RONDELLE BOUCHON RESERVOI | 1 2 3 4 5 6 | |
| 09A | | 00H00406011 | DEPOSITO.GASOLINA SERBATOIO BENZINA FUEL TANK | BENZINTANK RESERVOIR ESSENCE | 1 2 3 4 5 6 | |
| 10A | | 00G00400501 | ABRAZADERA FASCETTA FISSAGGIO RUBINETTO FUEL COCK SECURING CLAMP | BEF.-SCHELLE F.HAHN BRIDE FIXATION ROBINET | 1 2 3 4 5 6 | |



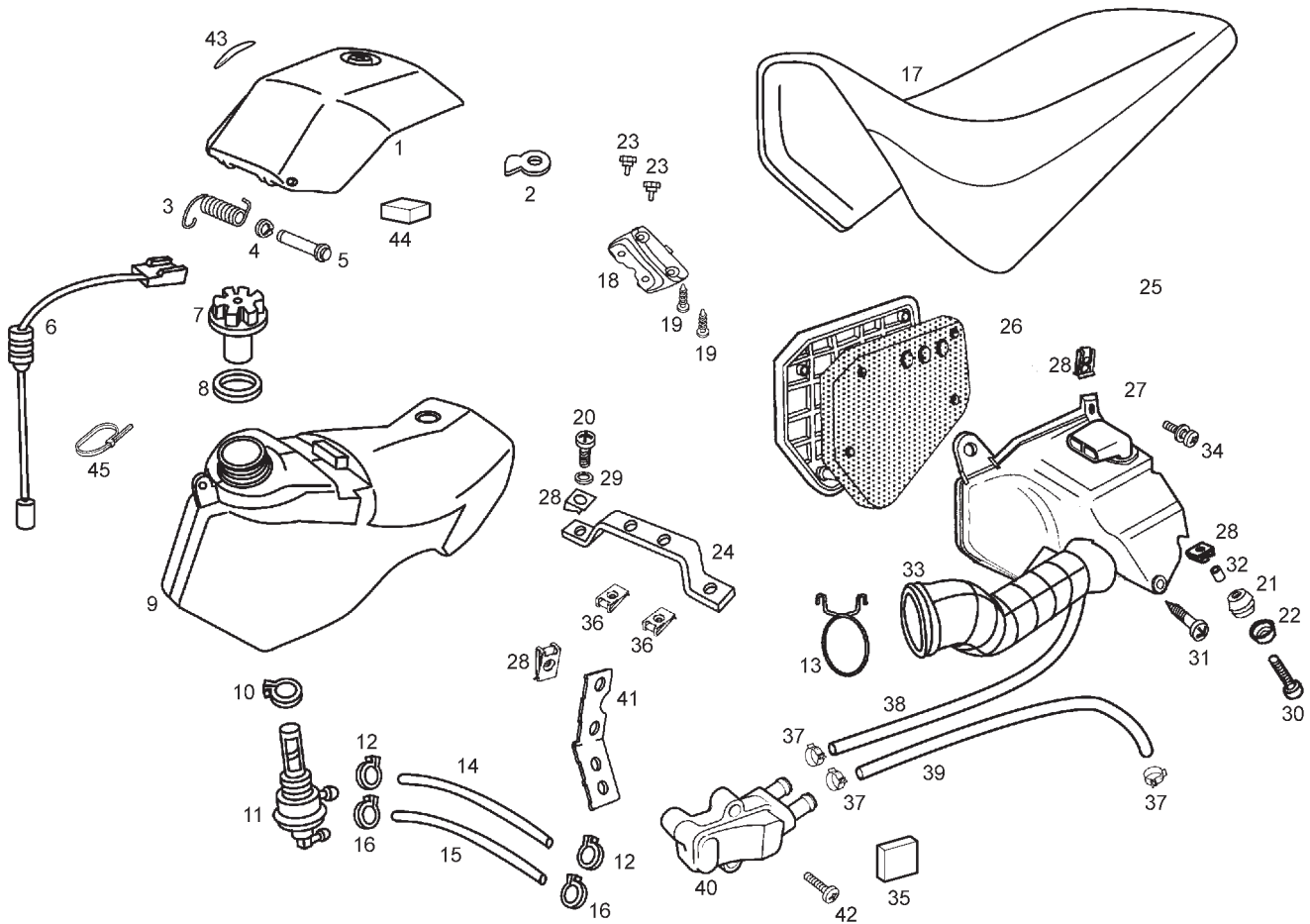
| Fig. | Ver. | COD. KOD. | DESCRIPCIÓN DENOMINAZIONE NAME | BEZEICHUNG DESIGNATION | MOD. | NOTAS NOTES NOTA MITSCHRIFT NOTES |
|------|------|-------------|--|---|-------------|-----------------------------------|
| 11A | | 00G00400181 | CTO GRIFO GASOLINA RUBINETTO BENZINA FUEL COCK ASSY | KRAFTSTOFFFAHN UNTERDRUCK ENSEMBLE ROBINET ESSENCE | 1 2 3 4 5 6 | |
| 12A | | 00D03700131 | ABRAZADERA ELASTICA FASCETTA ELASTICA TUBO BENZINA FUEL PIPE ELASTIC CLAMP | ELAST.KLAMMER GASLEITUNG CRAMPON ELASTIQUE TUBE ESSE | 1 2 3 4 5 6 | |
| 13A | | 00G03204272 | MUELLE TUBO ADMISION ANELLO CARB. AIR INTAKE TUBE | SCHAUCHSCHELLE COLLIER | 1 2 3 4 5 6 | |
| 14A | | 00F00403321 | TUBO GASOLINA TUBO BENZINA FUEL PIPE | BENZINSCHLAUCH TUYAU ESSENCE | 1 2 3 4 5 6 | |
| 15A | 01 | 00H06201061 | TUBO DEPRESION TUBO DEPRESSIONE DEPRESSION PIPE | BENZINSCHLAUCH TUYAU ESSENCE | 1 2 3 4 5 6 | |
| 15A | | 866497 | CTO FILTRO DEPRESION TUBO DEPRESSIONE DEPRESSION PIPE | BENZINSCHLAUCH TUYAU ESSENCE | 1 2 3 4 5 6 | |
| 16A | | 00F03710131 | ABRAZADERA ELASTICA FASCETTA ELASTICA CLAMP | BEF.-SCHELLE ENTRETOISE | 1 2 3 4 5 6 | |
| 17A | | 8635710006 | CTO.SILLIN COMP. SELLINO SEAT | SITZBANK SELLE | 1 2 3 | |
| 17B | | 8635710007 | CTO.SILLIN COMP. SELLINO SEAT | SITZBANK SELLE | 4 5 6 | |
| 18A | | 00H00600341 | SUPLEMENTO BASE SILLIN SUPPLEMENTO SELLINO SEAT SUPPLEM. | ZUBEHOR SITZBANK SUPL.SELLE | 1 2 3 4 5 6 | |
| 19A | | 00011051801 | TORNILLO PARA PLASTICO 5.1 X 18 VITE SCREW | SCHRAUBE VIS | 1 2 3 4 5 6 | |



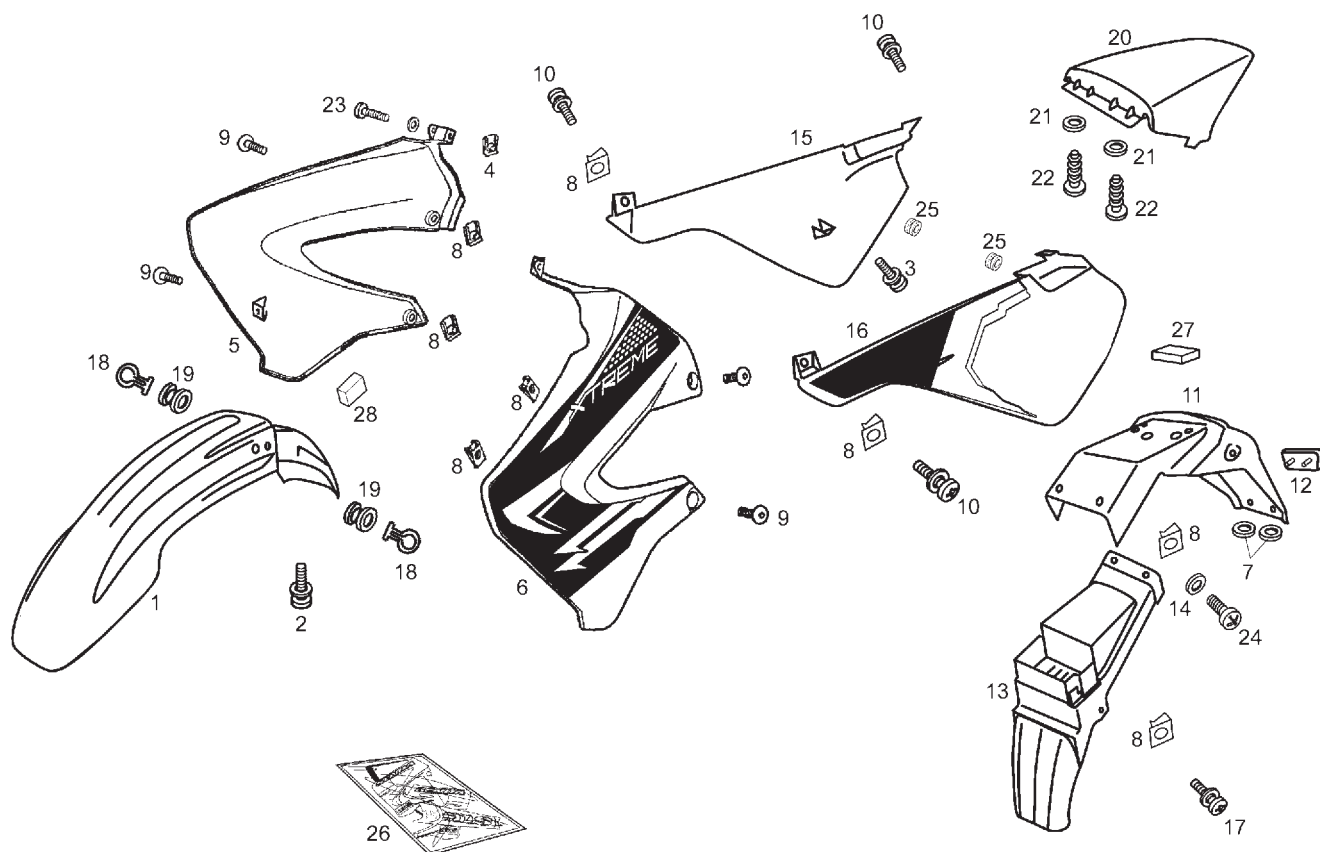
| Fig. | Ver. | COD. KOD. | DESCRIPCIÓN DENOMINAZIONE NAME | BEZEICHUNG DESIGNATION | MOD. | NOTAS NOTES NOTA MITSCHRIFT NOTES |
|------|------|--------------|---|--|-------------|-----------------------------------|
| 20A | | 00012061200 | TORNILLO C/CRUZ 6M100X12 VITE SCREW | SCHRAUBE VIS | 1 2 3 4 5 6 | |
| 21A | | 00008915020 | PROTECCION CABLES PROTEZIONE CAVI RUBBER, CABLE PROTECTOR | GUMMI PASSE-CABLE | 1 2 3 4 5 6 | |
| 22A | | 00D01500552 | CAZOLETA SCADELLINO FISSAGGIO HOUSING | ABDECKSCHEIBE CUVETTE | 1 2 3 4 5 6 | |
| 23A | | 861417 | TORNILLO FIJACION SILLIN VITE SCREW | SCHRAUBE VIS | 1 2 3 4 5 6 | |
| 24A | | 00H00404051 | PUENTE FIJ. DEPOSITO. SUPPORTO INF. SERBATOIO LOWER FUEL TANK BRACKET | LOWER FUEL TANK BRACKET GPRËRE SUPPORTO INFIRIEUR RËSERVOIR ES | 1 2 3 4 5 6 | |
| 25A | 01 | 00H01809541 | CTO CAJA FILTRO CASSA FILTRO AIR FILTER BOX | FILTERKASTEN ENSEMBLE BOITE FILTRE | 1 2 4 5 | |
| 25A | | 00H01809541A | CTO CAJA FILTRO CASSA FILTRO AIR FILTER BOX | FILTERKASTEN ENSEMBLE BOITE FILTRE | 1 2 4 5 | |
| 25B | 01 | 00H06007211 | CTO CAJA FILTRO C/TUBO ESCANDINAVIA CASSA FILTRO AIR FILTER BOX | FILTERKASTEN ENSEMBLE BOITE FILTRE | 3 6 | |
| 25B | | 00H06007211A | CTO CAJA FILTRO C/TUBO ESCANDINAVIA CASSA FILTRO AIR FILTER BOX | FILTERKASTEN ENSEMBLE BOITE FILTRE | 3 6 | |
| 26A | | 00H03209251 | ESPUMA FILTRO AIRE ESPANSO FILTRO ARIA AIR FILTER MESH | LUFTFILTERSCHAUM FILTRE AIR | 1 2 4 5 | |
| 26B | 01 | 00H03201251 | ESPUMA FILTRO AIRE ESPANSO FILTRO ARIA AIR FILTER MESH | LUFTFILTERSCHAUM FILTRE AIR | 3 6 | |



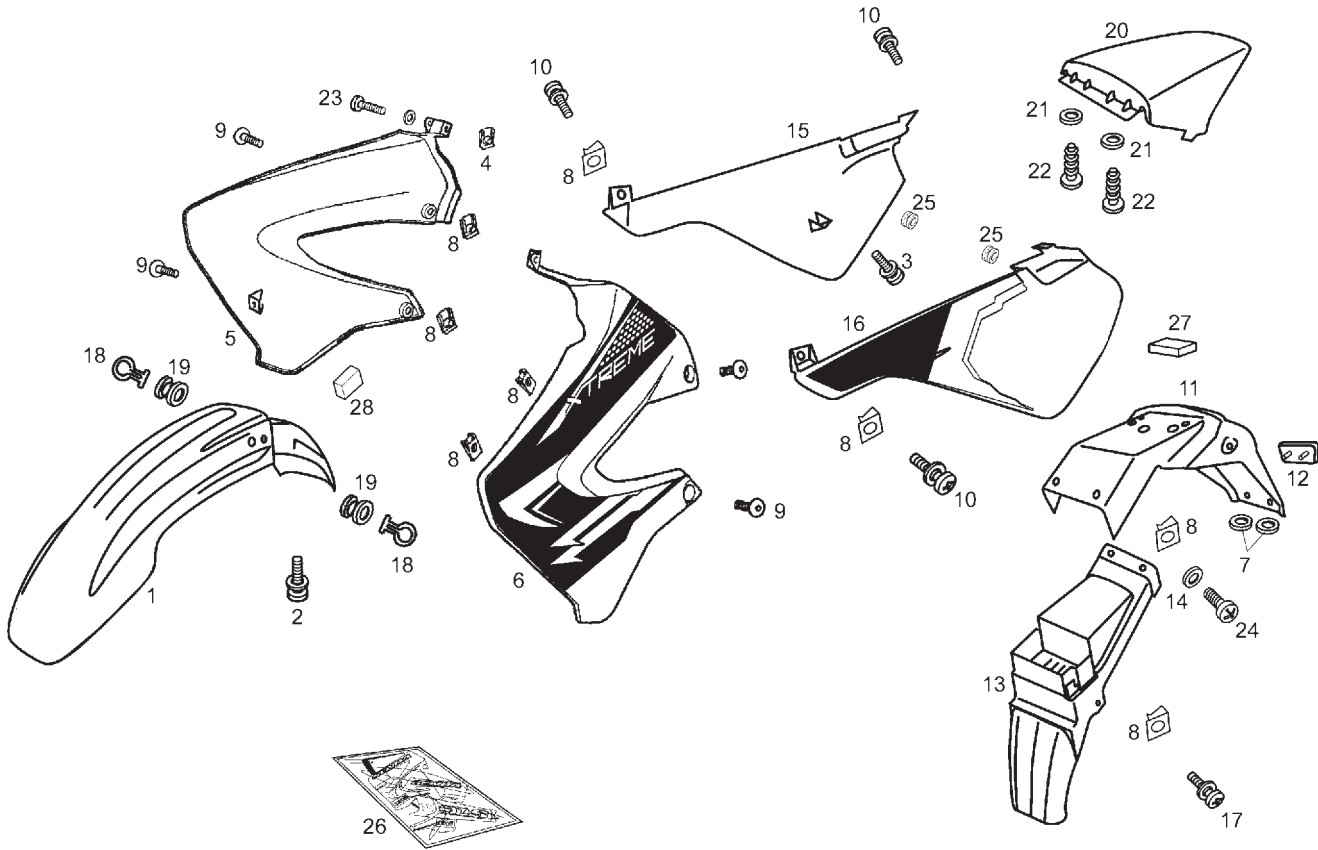
| Fig. | Ver. | COD. KOD. | DESCRIPCIÓN DENOMINAZIONE NAME | BEZEICHNUNG DESIGNATION | MOD. | NOTAS NOTES NOTA MITSCHRIFT NOTES |
|------|------|-------------|---|---|-------------|-----------------------------------|
| 26B | | 00H03209251 | ESPUMA FILTRO AIRE ESPANSO FILTRO ARIA AIR FILTER MESH | LUFTFILTERSCHAUM FILTRE AIR | 3 6 | |
| 27A | | 00H03208491 | TUBO ASPIRACION CAJA FILTRO TUBO ASPIRAZIONE AIR INTAKE | SAUGROHR TUBE DIASPIRATION | 12 45 | |
| 27B | | 00D03210491 | TUBO ASPIRACION CAJA FILTRO TUBO ASPIRAZIONE AIR INTAKE | SAUGROHR TUBE DIASPIRATION | 3 6 | |
| 28A | | 00D01501371 | TUERCA FIJACION D6 DADO NUT | MUTTER ECROU | 1 2 3 4 5 6 | |
| 29A | | 00D01200171 | ARANDELA RONDELLA WASHER | SCHEIBE RONDELLE | 1 2 3 4 5 6 | |
| 30A | | 00012161600 | TORNILLO C/CRUZ.NG.6M100X16 VITE SCREW | SCHRAUBE VIS | 1 2 3 4 5 6 | |
| 31A | | 00073481964 | TORNILLO AUTR.C/CRUZ 4,8 X 19. VITE SCREW | SCHRAUBE VIS | 1 2 3 4 5 6 | |
| 32A | | 00D01500471 | CASQ. SILENT. SILENC. GHIERA BUSHING | FUHRUNGSBUCHSE GABELSCHENK ENTRETOISE | 1 2 3 4 5 6 | |
| 33A | | 00H03207261 | TUBO ADMISION. TUBO AMMISSIONE AIR INTAKE HOSE | ENLAISRROR HUNTER TUYAU DIADMISSION HUNTER | 1 2 3 4 5 6 | |
| 34A | | 00D05910081 | SCTO. TORNILLO 6M100X16 VITE SCREW | SCHRAUBE VIS | 1 2 3 4 5 6 | |
| 35A | | 00H03800571 | TOPE FERMO STOP | ANSCHLAG BUTEE | 3 6 | |



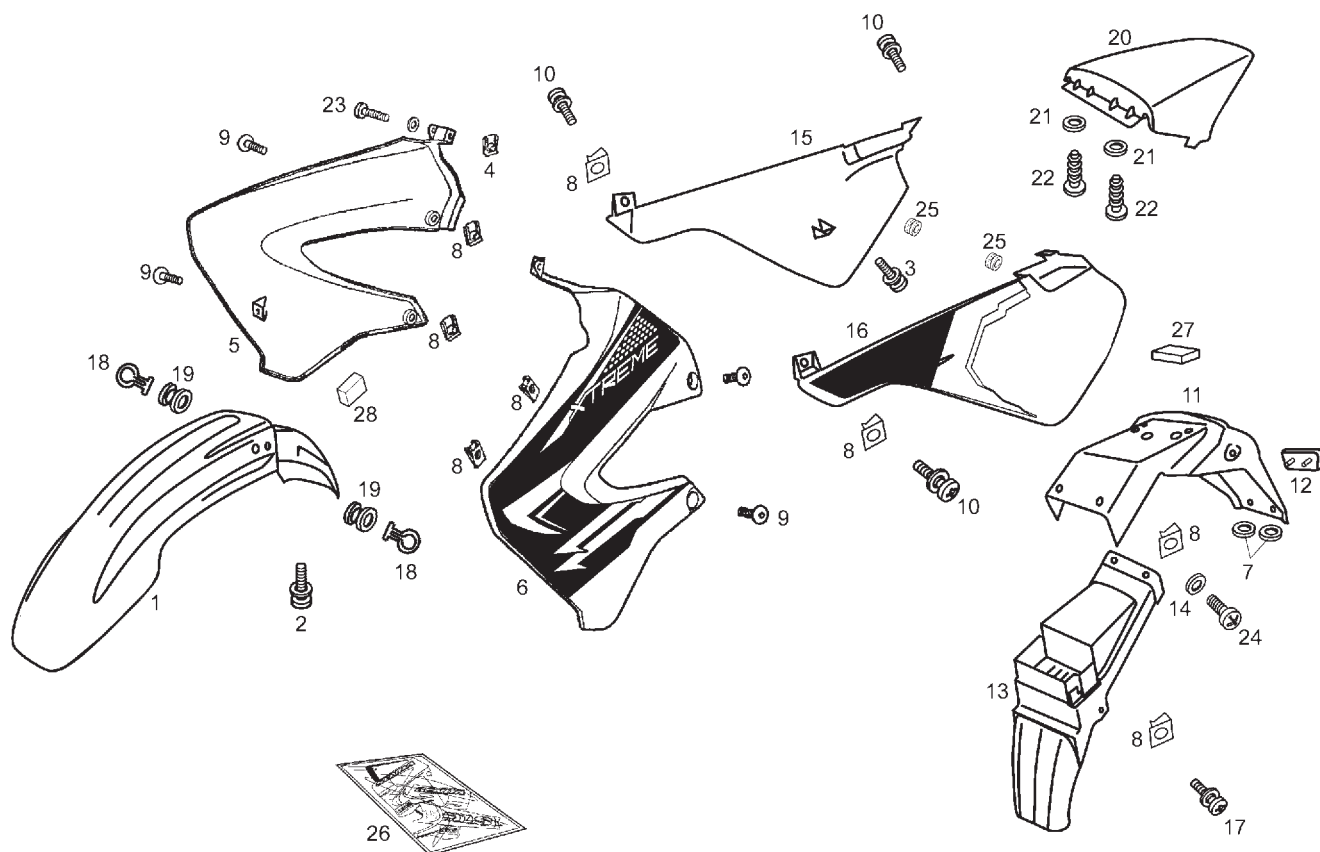
| Fig. | Ver. | COD. KOD. | DESCRIPCIÓN DENOMINAZIONE NAME | BEZEICHUNG DESIGNATION | MOD. | NOTAS NOTES NOTA MITSCHRIFT NOTES |
|------|------|-------------|---|--|-------------|-----------------------------------|
| 36A | | 00H01500691 | TUERCA FIJACION DADO NUT | MUTTER ECROU | 1 2 3 4 5 6 | |
| 37A | | 00H03802461 | ABRAZADERA 15/8 W4 FLANGIA FLANGE | FLANSCH BRIDE | 3 6 | |
| 38A | | 00H04200721 | TUBO CONEXIÓN CAJA FILTRO - SAS TUBO CASSA FILTRO AIR FILTER BOX TUBE | FILTERKASTEN RHOR TUYAU ENSEMBLE BOITE FILTRE | 3 6 | |
| 39A | | 00H04202721 | TUBO ENTRADA GASES CAJA SAS TUBO CASSA FILTRO AIR FILTER BOX TUBE | FILTERKASTEN RHOR TUYAU ENSEMBLE BOITE FILTRE | 3 6 | |
| 40A | | 00H04200741 | CTO CAJA AIRE SECUNDARIO CASSA SECONDARIA DI ARIA SECONDARY AIR BOX | SEKUNDÄRLUFT-KASTEN BOÎTE SECONDAIRE D'AIR | 3 6 | |
| 41A | | 00H06500561 | CARTELA SOPORTE CAJA SAS SUPPORTO CASSA DI ARIA AIR BOX SUPPORT | LUFT-KASTEN-UNTERSTÜTZUNG APPUI DE BOÎTE D'AIR | 3 6 | |
| 42A | | 00012062500 | TORNILLO C/CRUZ 6M100X25 VITE SCREW | SCHRAUBE VIS | 3 6 | |
| 43A | | 00H00406521 | CALCA PROTECCION TAPA ADESIVO DECAL | SCHRIFTZUG ADHESIF | 1 2 3 4 5 6 | |
| 44A | | 00H00403831 | TOPE TAPA DEPOSITO FERMO STOP | ANSCHLAG BUTEE | 1 2 3 4 5 6 | |
| 45A | | 00D00900531 | ABRAZADERA UNECABLES FASCETTA CLAMP | FLANGE BRIDE | 1 2 3 4 5 6 | |



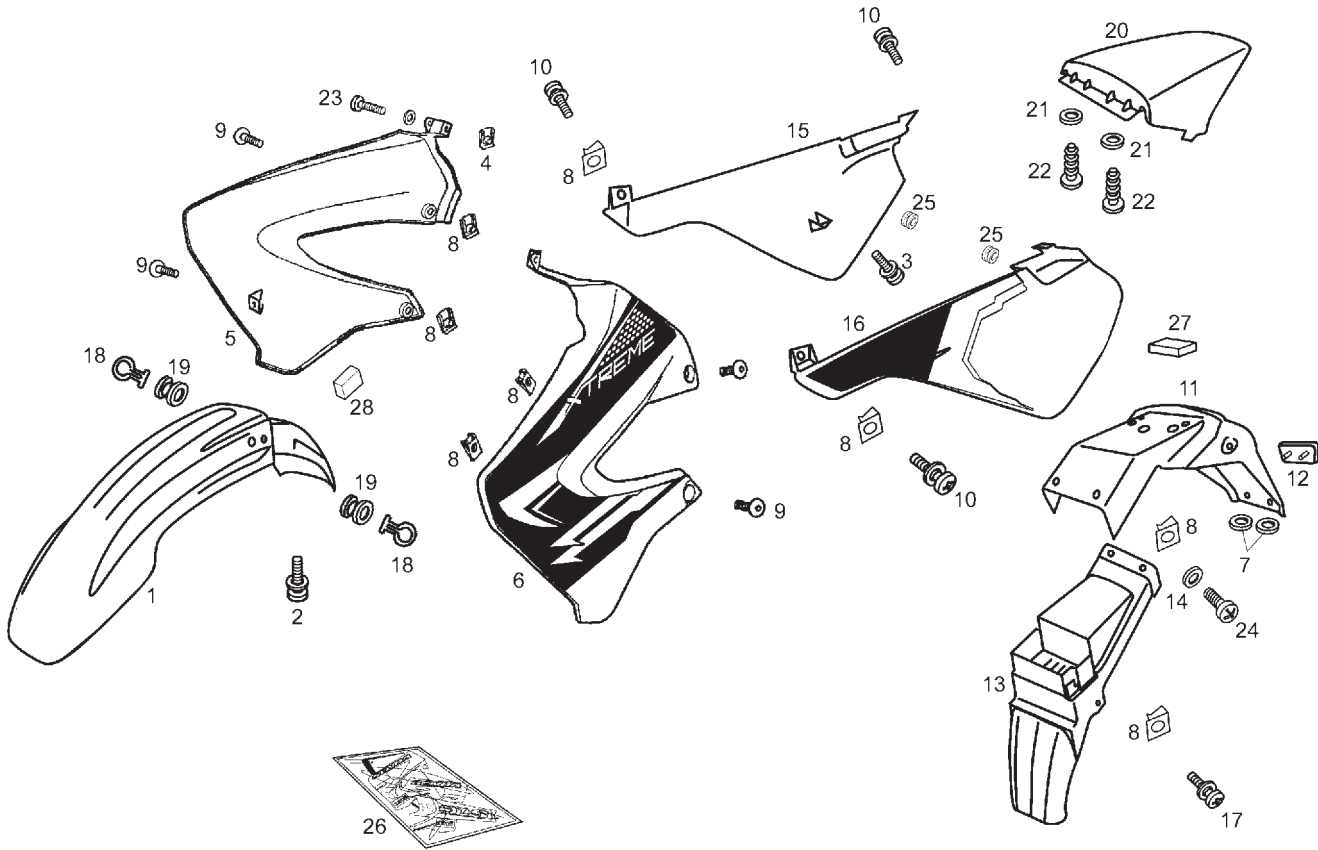
| Fig. | Ver. | COD. KOD. | DESCRIPCIÓN DENOMINAZIONE NAME | BEZEICHUNG DESIGNATION | MOD. | NOTAS NOTES NOTA MITSCHRIFT NOTES |
|------|------|-------------|--|--|-------------|-----------------------------------|
| 01A | | 00H00714026 | GUARDABARROS DELANTERO PARAFANGO ANTERIORE FRONT MUDGUARD ASSY | KOTFLUGEL VORN GARDE-BOUE AVANT RGE | 1 2 3 | |
| 01B | | 00H00712023 | GUARDABARROS DELANTERO PARAFANGO ANTERIORE FRONT MUDGUARD ASSY | KOTFLUGEL VORN GARDE-BOUE AVANT RGE | 4 5 6 | |
| 02A | | 00H05900021 | SCTO TORNILLO 6M100X16 VITE SCREW | SCHRAUBE VIS | 1 2 3 4 5 6 | |
| 03A | | 00H05900021 | SCTO TORNILLO 6M100X16 VITE SCREW | SCHRAUBE VIS | 1 2 3 4 5 6 | |
| 04A | | 00G04401462 | TUERCA FIJACION D5 DADO NUT | MUTTER ECROU | 1 2 3 4 5 6 | |
| 05A | | 86516300WR0 | TAPA DELANTERA DERECHA COPERCHIO COVER | DECKEL COUVERCLE | 1 2 3 | |
| 05B | | 86516300WN0 | TAPA DELANTERA DERECHA COPERCHIO COVER | DECKEL COUVERCLE | 4 5 6 | |
| 06A | | 86516400WR0 | TAPA DELANTERA IZQUIERDA COPERCHIO COVER | DECKEL COUVERCLE | 1 2 3 | |
| 06B | | 86516400WN0 | TAPA DELANTERA IZQUIERDA COPERCHIO COVER | DECKEL COUVERCLE | 4 5 6 | |
| 07A | | 00G06300671 | ARANDELA RONDELLA WASHER | SCHEIBE RONDELLE | 1 2 3 4 5 6 | |
| 08A | | 00D01501371 | TUERCA FIJACION D6 DADO NUT | MUTTER ECROU | 1 2 3 4 5 6 | |



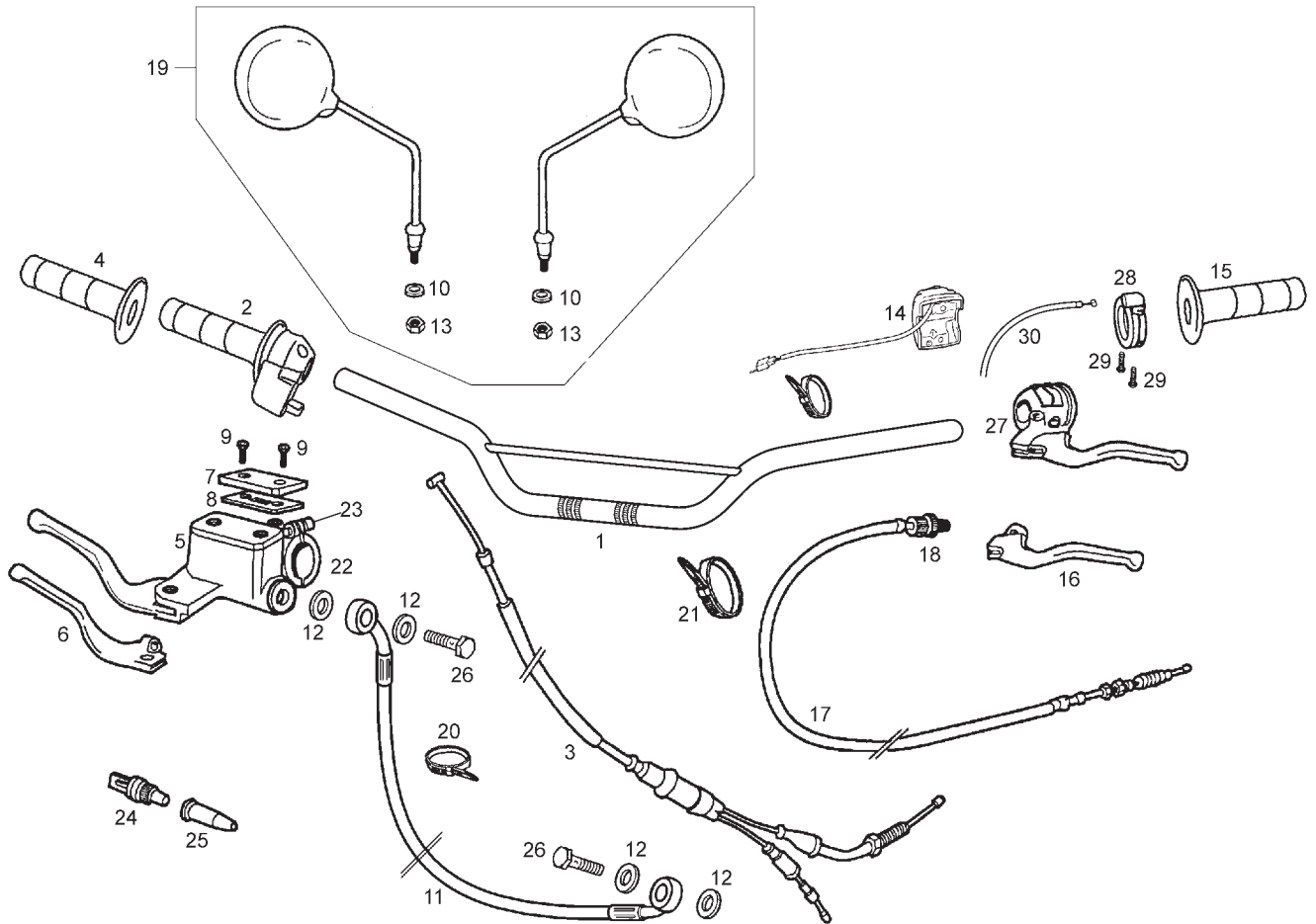
| Fig. | Ver. | COD. KOD. | DESCRIPCIÓN DENOMINAZIONE NAME | BEZEICHUNG DESIGNATION | MOD. | NOTAS NOTES NOTA MITSCHRIFT NOTES |
|------|------|-------------|--|---|-------------|-----------------------------------|
| 09A | | 00G01503701 | TORNILLO VITE SCREW | SCHRAUBE VIS | 1 2 3 4 5 6 | |
| 10A | | 00F05900041 | SCTO TORNILLO 6M100X16 VITE SCREW | SCHRAUBE VIS | 1 2 3 4 5 6 | |
| 11A | | 00H00712341 | SUPLEMEN TO GUARD.TRASERO SUPPLEMENTO PARAFANGO POST. SUPPLEM. REAR FENDER | ZUBEHOR STAUBFANGER HINTEN SUPL. GARDE BOUE AR. | 1 2 3 4 5 6 | |
| 12A | | 00G04400752 | CAPTAFAROS TRASERO ROJO CATARIFRANGENTE POSTERIORE R REAR REFLECTOR | RUCKS TRAHLER CATADIOPTRE ARRIERE | 1 2 3 4 5 6 | |
| 13A | | 00H00705121 | GUARDABARROS TRASERO PARAFANGO POSTERIORE REAR MUDGUARD | KOTFLUGEL HINTEN GARDE BOUE ARRIERE | 1 2 3 4 5 6 | |
| 14A | | 00D01200171 | ARANDELA RONDELLA WASHER | SCHEIBE RONDELLE | 1 2 3 4 5 6 | |
| 15A | | 86515800WB1 | TAPA TRASERA DERECHA COPERCHIO LAT. DES. RIGHT HAND SIDE COVER | SEITENDECKEL RECHTS PLAQUE LATERAL DROITE AVEC | 1 2 3 | |
| 15B | | 86515801WB1 | TAPA TRASERA DERECHA COPERCHIO LAT. DES. RIGHT HAND SIDE COVER | SEITENDECKEL RECHTS PLAQUE LATERAL DROITE AVEC | 4 5 6 | |
| 16A | | 86516000WB1 | TAPA TRASERA IZQUIERDA COPERCHIO LAT. SIN. LEFT HAND SIDE COVER | SEITENDECKEL- LINKS FLANC LAT.G.AVEC DECAL | 1 2 3 | |
| 16B | | 86516001WB1 | TAPA TRASERA IZQUIERDA COPERCHIO LAT. SIN. LEFT HAND SIDE COVER | SEITENDECKEL- LINKS FLANC LAT.G.AVEC DECAL | 4 5 6 | |
| 17A | | 00H05900021 | SCTO TORNILLO 6M100X16 VITE SCREW | SCHRAUBE VIS | 1 2 3 4 5 6 | |



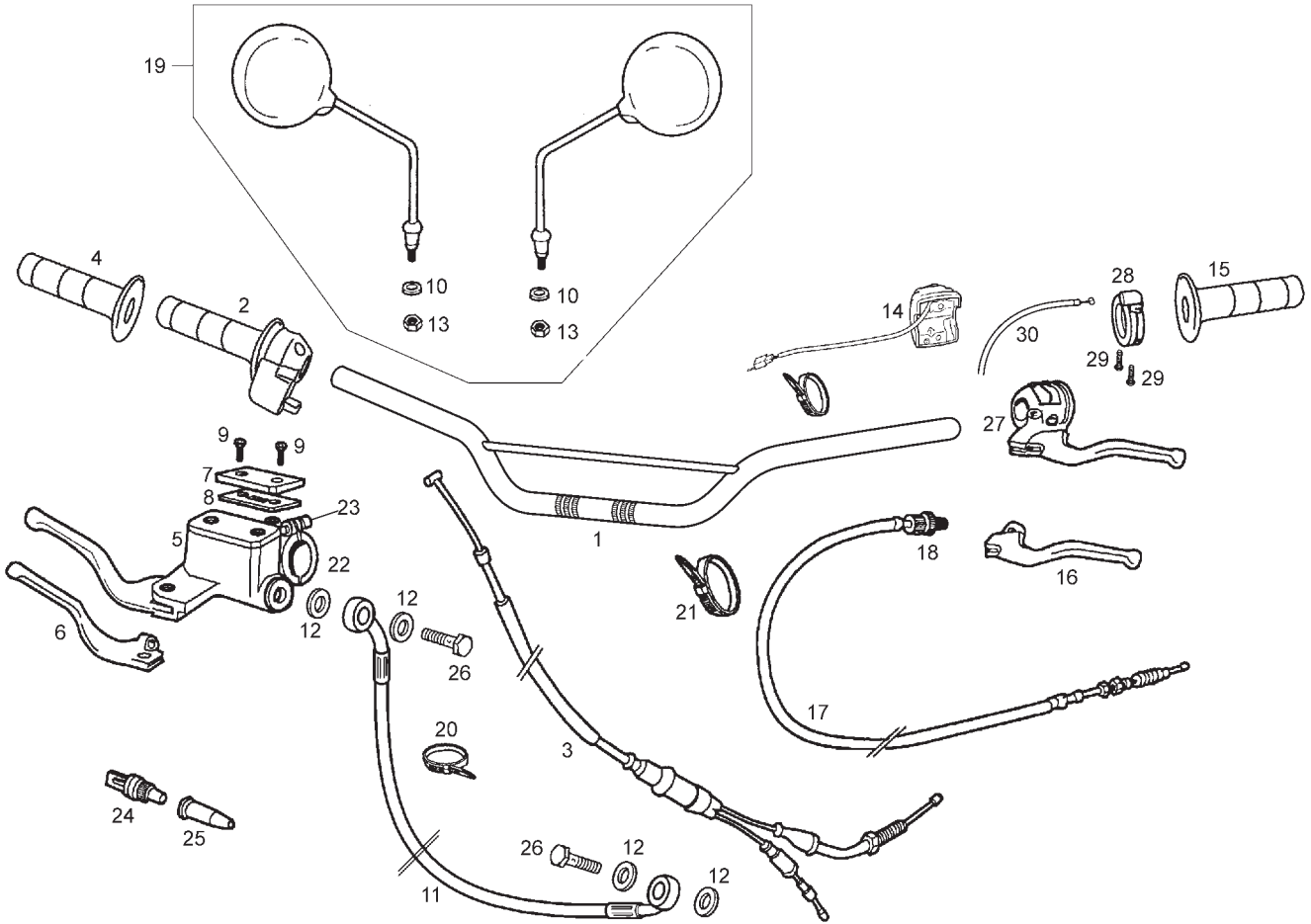
| Fig. | Ver. | COD. KOD. | DESCRIPCIÓN DENOMINAZIONE NAME | BEZEICHUNG DESIGNATION | MOD. | NOTAS NOTES NOTA MITSCHRIFT NOTES |
|------|------|-------------|--|---|-------------|-----------------------------------|
| 18A | | 00H02201591 | GUIA CABLES GUIDA CAVI CABLE GUIAE | HALTER F. BEF. BREMSSCHLAU SOUS-EN.SUP.FIX.TUYAU FREIN | 1 2 3 4 5 6 | |
| 19A | | 00D01500021 | PASACABLES PORTACAVI PARAFANGO GROMMET | GUMMI CAOUTCHOUC PASSE-CABLE | 1 2 3 4 5 6 | |
| 20A | | 86516200WB1 | COLIN SILLIN COLIN SELLINO SEAT BASE | KOTFLUGEL HINTEN DOSSERET SELLE | 1 2 3 | |
| 20B | | 86516201WB1 | COLIN SILLIN COLIN SELLINO SEAT BASE | KOTFLUGEL HINTEN DOSSERET SELLE | 4 5 6 | |
| 21A | | 00000031050 | ARANDELA PLANA D5 RONDELLA WASHER | SCHEIBE ROND.PLATE MECANISEE | 1 2 3 4 5 6 | |
| 22A | | 00011051401 | TORNILLO AUTRRCTE. 5 X14 VITE SCREW | SCHRAUBE VIS | 1 2 3 4 5 6 | |
| 23A | | 00012152000 | TORNILLO C/RED.CRUIZ 5M80X20 VITE SCREW | SCHRAUBE VIS | 1 2 3 4 5 6 | |
| 24A | | 00012061200 | TORNILLO 6M100X12 VITE SCREW | SCHRAUBE VIS | 1 2 3 4 5 6 | |
| 25A | | 00H00501761 | SILENTBLOCK FIJ. TAPAS LATERALES SILENTBLOCK SILENTBLOCK | SILENTBLOCK SILENTBLOCK | 1 2 3 4 5 6 | |
| 26A | | 865265 | JUEGO CALCAS SD R ROJO COMPL.ADESIVI DECALS ASSY | AUFKLEBERSATZ JEU ADHESIF | 1 2 3 | |
| 26B | | 865266 | JUEGO CALCAS SD R RED FRANCE COMPL.ADESIVI DECALS ASSY | AUFKLEBERSATZ JEU ADHESIF | 1 2 | ONLY FRANCE AUSTRIA |



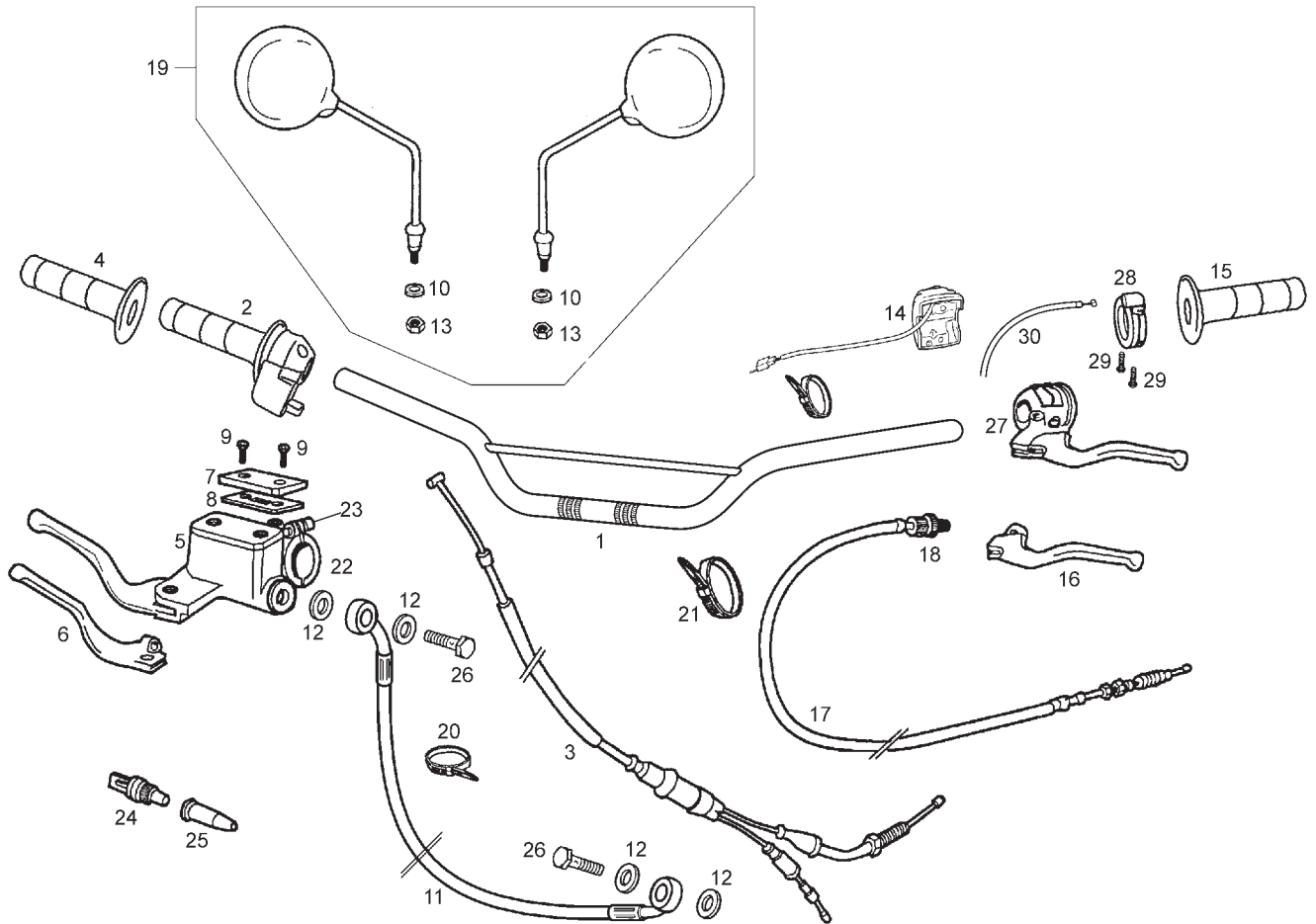
| Fig. | Ver. | COD. KOD. | DESCRIPCIÓN DENOMINAZIONE NAME | BEZEICHNUNG DESIGNATION | MOD. | NOTAS NOTES NOTA MITSCHRIFT NOTES |
|------|------|-------------|--|------------------------------|-------------|-----------------------------------|
| 26C | | 865267 | JUEGO CALCAS SD R NEGRO COMPL.ADESIVI DECALS ASSY | AUFKLEBERSATZ JEU ADHESIF | 4 5 6 | |
| 26D | | 865268 | JUEGO CALCAS SD R BLACK FRANCE COMPL.ADESIVI DECALS ASSY | AUFKLEBERSATZ JEU ADHESIF | 4 5 | ONLY FRANCE AUSTRIA |
| 27A | | 00H05900621 | ESPUMA ADESIVA ESPANSO FOAM | SCHAUM MOUSSE | 1 2 3 4 5 6 | |
| 28A | | 00H03800571 | TOPE TAPA LATERAL ESPANSO FOAM | SCHAUM MOUSSE | 1 2 3 4 5 6 | |



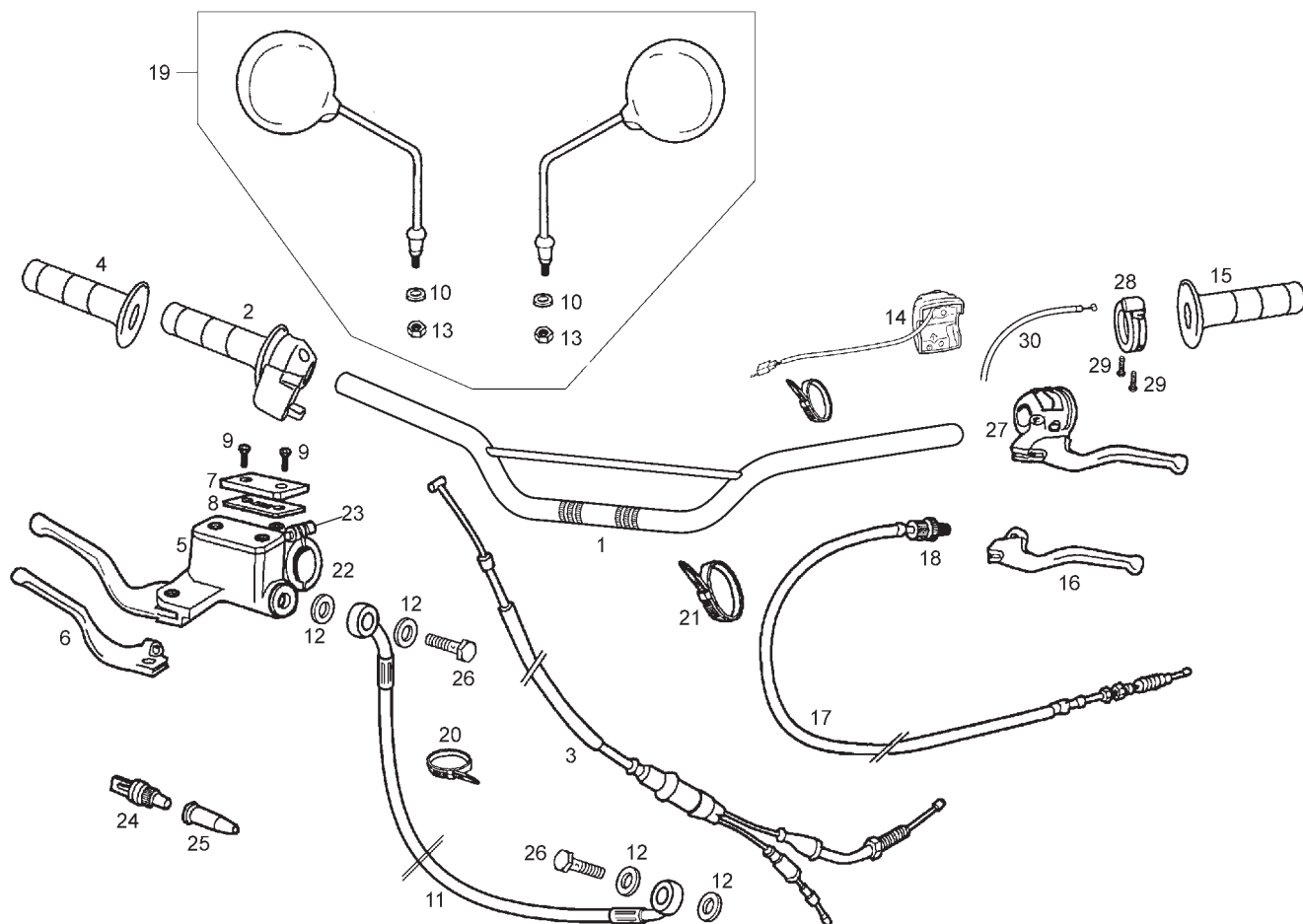
| Fig. | Ver. | COD. KOD. | DESCRIPCIÓN DENOMINAZIONE NAME | BEZEICHUNG DESIGNATION | MOD. | NOTAS NOTES NOTA MITSCHRIFT NOTES |
|------|------|--------------|--|--|-------------|-----------------------------------|
| 01A | 01 | 00H00908012 | MANILLAR MANUBRIO HANDLEBAR ASSY | LENKER GUIDON | 1 2 3 4 5 6 | |
| 01A | | 00H00908012A | MANILLAR MANUBRIO HANDLEBAR ASSY | LENKER GUIDON | 12 45 | |
| 01B | | 00H00908012A | MANILLAR MANUBRIO HANDLEBAR ASSY | LENKER GUIDON | 3 6 | UNTIL FRAME 9H433717 |
| 01C | | 86649800WGB | MANILLAR MANUBRIO HANDLEBAR ASSY | LENKER GUIDON | 3 6 | SINCE FRAME 9H433718 |
| 02A | | 00H02101621 | CTO. PUÑO GAS MANOPOLA ACCELERATOR THROTTLE GRIP ASSEMBLY | GASGRIFF POIGNEE DE GAZ COMPLETE | 1 2 3 4 5 6 | |
| 03A | | 00H00931171 | CABLE-FUNDA GAS CAVO-FODERO ACCELERA CABLE ASSY TRHOTTLE | GASKABEL GAINIE ET CABLE DE GAZ | 12 45 | |
| 03B | | 00H00934171 | CABLE-FUNDA GAS SCANDINAVIA CAVO-FODERO ACCELERA CABLE ASSY TRHOTTLE | GASKABEL GAINIE ET CABLE DE GAZ | 3 6 | |
| 04A | | 00H00930091 | R-EMPUÑADURA GAS R-MANOPOLA ACCELERATORE GRIP, THROTTLE | GRIF CAOUT.DE PIGNEE GAZ | 1 2 3 4 5 6 | |
| 05A | | 00G02102083 | R-CTO MANDO FRENO DT R-COMANDO FRENO FRONT BRAKE LEVER/MASTER CYLIN | REP.-SATZ F. PUMPE R-ENSEM.KIT REPAR. POMPE SE | 1 2 3 4 5 6 | |
| 06A | | 00F00902291 | MANETA FRENO DELANTERO LEVA FRENO BRAKE LEVER | BREMSHEBEL KOMPL. MANETE DU FREIN AVANT | 1 2 3 4 5 6 | |



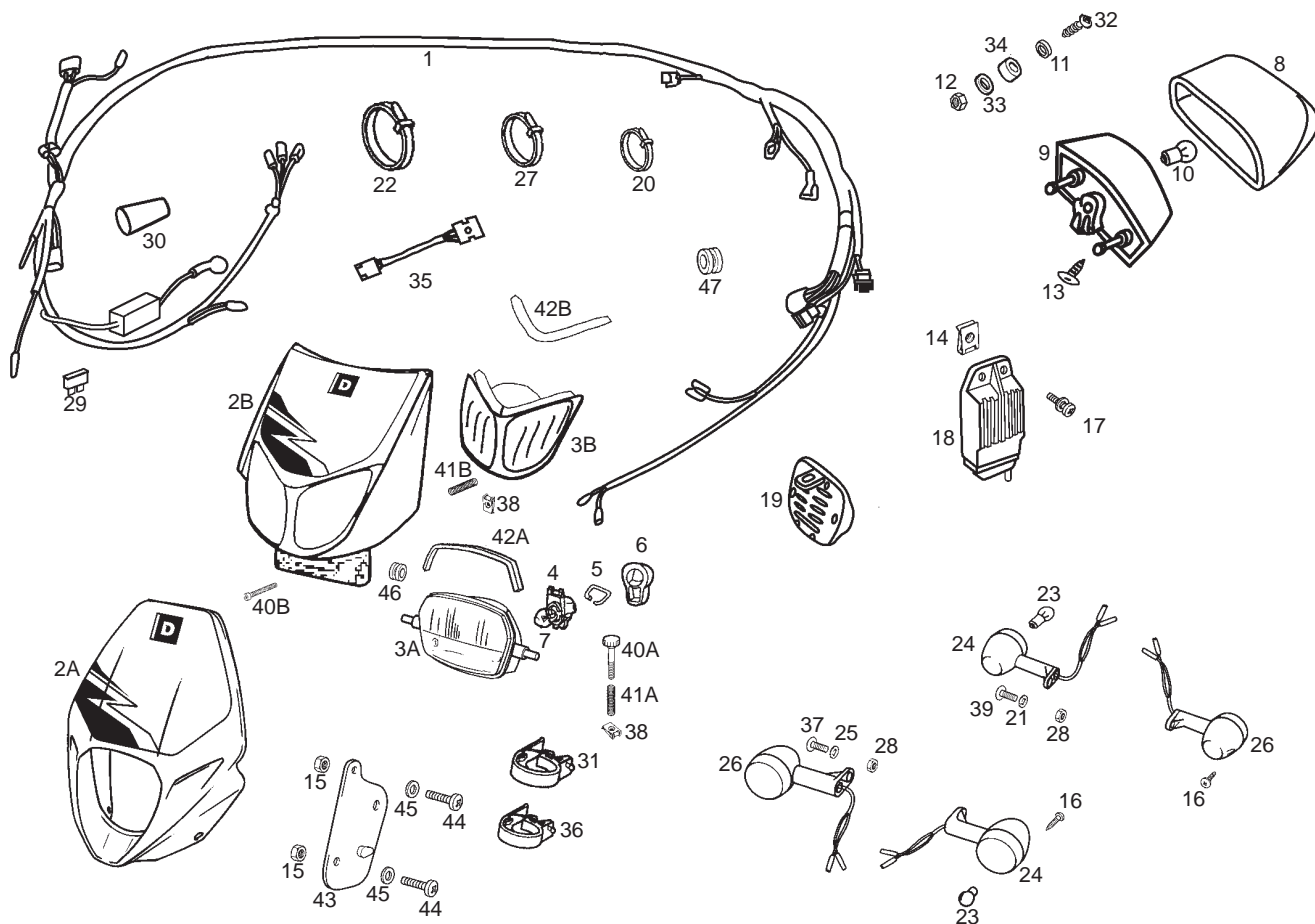
| Fig. | Ver. | COD. KOD. | DESCRIPCIÓN DENOMINAZIONE NAME | BEZEICHNUNG DESIGNATION | MOD. | NOTAS NOTES NOTA MITSCHRIFT NOTES |
|------|------|-------------|--|--|-------------|-----------------------------------|
| 07A | | 00H02100191 | R-TAPA DEPOSITO LIQ. FRENO DT. COPERCHIO SERBATOIO LIQUIDO BRAKE FLUID RESERVOIR CAP | BREMSSFLUESSIGKEITSBEHAELTE R-COUV.RESER.LIQ.FREIN AVAN | 1 2 3 4 5 6 | |
| 08A | | 00H02100861 | R-JUNTA TAPA DEP. LIQ. FRENO GUARNIZIONE COPERCHIO BRAKE FLUID RESERVOIR CAP SEAL | BREMSCECKELDICHUNG R-JOINT COUV.RES.LIQ.FR.AV. | 1 2 3 4 5 6 | |
| 09A | | 00014041200 | TORNILLO C/AR. CRUZ 4M80X12 VITE COUNTERSUNK PHILIPS SCREW | SCHRAUBE BOULON T.NOYEE | 1 2 3 4 5 6 | |
| 10A | | 00000031080 | ARANDELA PLANA D8 RONDELLA WASHER | SCHEIBE RONDELLE | 1 2 3 4 5 6 | |
| 11A | | 00H00915751 | R-TUBO LIQUIDO FRENO DT SUBCOMP.TUBO LIQ.FRE. BRAKE FLUID TUBE | BREMSSSCHLAUCH FLEXIBLE DE FREIN AVANT | 1 2 3 4 5 6 | |
| 12A | | 00006321040 | ARANDELA JUNTA RADORD RONDELLA WASHER | SCHEIBE RONDELLE | 1 2 3 4 5 6 | |
| 13A | | 00000021080 | TUERCA DADO NUT | MUTTER ECROU | 1 2 3 4 5 6 | |
| 14A | | 00H02305381 | CTO.CONMUTADOR LUCES C/CABLE CONMUTATORE LUCI SWITCH | LICHTSCHALTER INVERSEUR AVEC CABLE | 1 2 3 4 5 6 | |
| 15A | | 00H00930071 | EMPUÑADURA LADO EMBRAGUE R-MANOPOLA GRIP | GRIFF CAOUT.DE PIGNEE GAZ | 1 2 3 4 5 6 | |
| 16A | | 00F00910291 | R-MANETA EMBRAGUE LEVA FRIZIONE CLUTCH LEVER | KUPPLUNGSHABEL LEVIER EMBRAYAGE | 1 2 3 4 5 6 | |



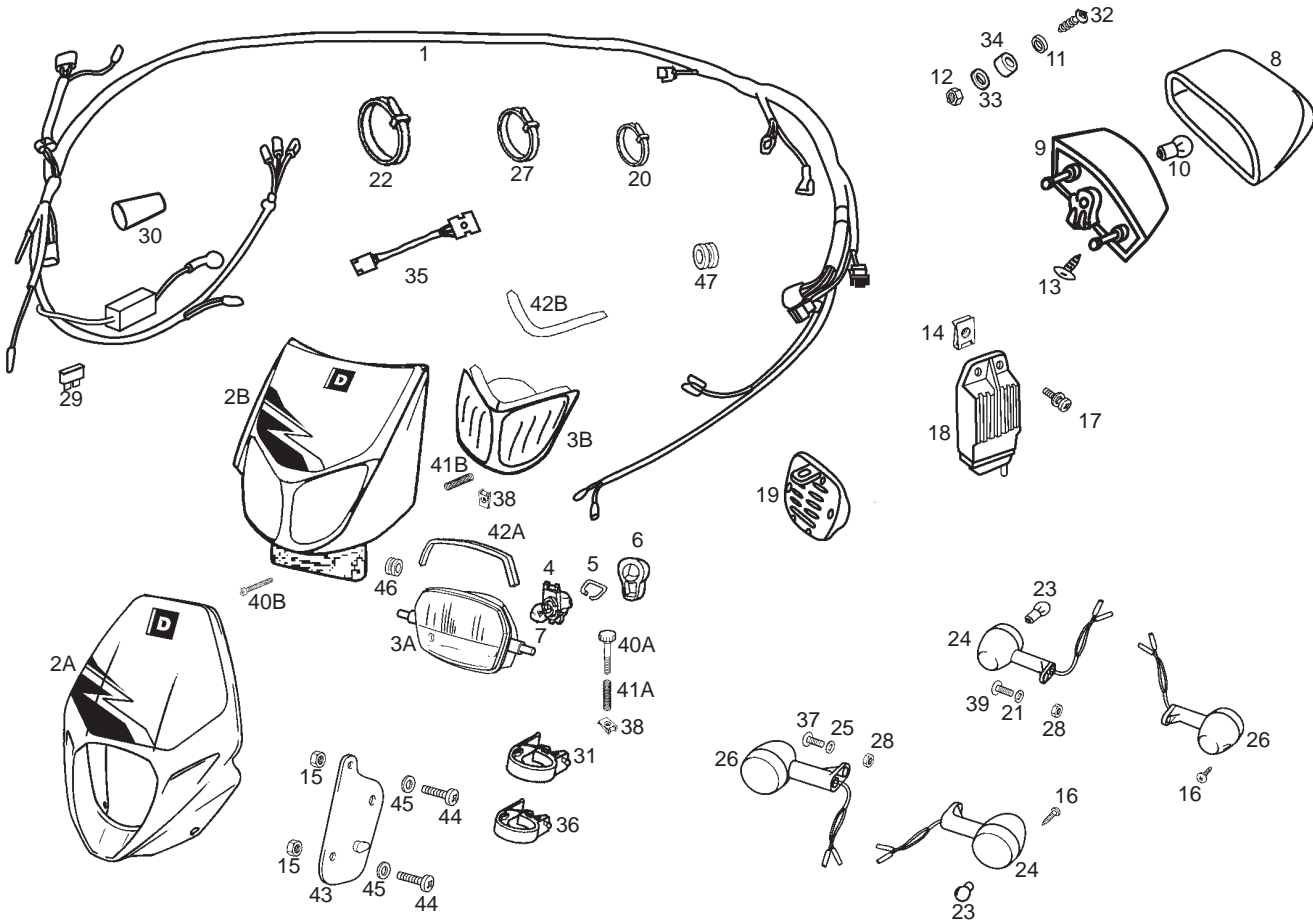
| Fig. | Ver. | COD. KOD. | DESCRIPCIÓN DENOMINAZIONE NAME | BEZEICHUNG DESIGNATION | MOD. | NOTAS NOTES NOTA MITSCHRIFT NOTES |
|------|------|-------------|---|---|-------------|-----------------------------------|
| 17A | | 00H00917301 | CTO. CABLE-FUNDA EMBRAGUE CAVO-GUAINA FRIZIONE CLUTCH COVER AND CAB.SUB.ASSY. | KUPLUNGSZUG GAINE ET CABLE DIEMBRAYAGE | 1 2 3 4 5 6 | |
| 18A | | 00F00920551 | R-CTO TENSOR CABLE EMBRAGUE TENSORE CABO CLUTCH CABLE TIGHTENING DEVIC | SHELLE COLLIER FIX ELIERIE | 1 2 3 4 5 6 | |
| 19A | | 865599 | KIT ESPEJOS RETROVISORES SPECCHIETO RETROVISO REAR MIRROR | SPIEGEL MIRROIR RETROVISEUR | 1 2 3 4 5 6 | |
| 20A | | 00D00900531 | BRIDA 140 X 3,6 FLANGIA UNIONE CAVI BLACK CABLE TIE | KABELBINDER COLLIER | 1 2 3 4 5 6 | |
| 21A | | 00D00900531 | BRIDA 140 X 3,6 FLANGIA UNIONE CAVI BLACK CABLE TIE | KABELBINDER COLLIER | 1 2 3 4 5 6 | |
| 22A | | 00D02100901 | R-BRIDA FIJ. MANDO FRENO DT. CAVALLOTO FISSAGIO POMPA CLAMP | BEF.-SHELLE ENTRETOISE | 1 2 3 4 5 6 | |
| 23A | | 00004061600 | TORNILLO C/ALLEN 6M100X16 VITE SCREW | SCHRAUBE VIS | 1 2 3 4 5 6 | |
| 24A | | 00D01000701 | INTERRUPTOR MANDO STOP. INTERRUTTORE STOP SWITCH, STOP LIGHT | STOPCHALTER VO. INTERRUPTEUR COMMANDE STOP | 1 2 3 4 5 6 | |
| 25A | | 00005010760 | CAPUCHON INTERRUPTOR STOP CAPPuccio INTERRUPTORE STOP NE RUBBER COVER,STOP LIGHT SWITCH | GUMMISCHUTZ STOPLICHTSCHAL CAPUCHON | 1 2 3 4 5 6 | |
| 26A | | 00006309260 | RACORD TUBO HIDRAULICO RACCORDO TUBO IDRAULICO HYDRAULIC TUBE CONNECTOR | STUTZEN HIDRAULIKLEITUNG RACCORD TUYAU HYDRAULIQUE | 1 2 3 4 5 6 | |



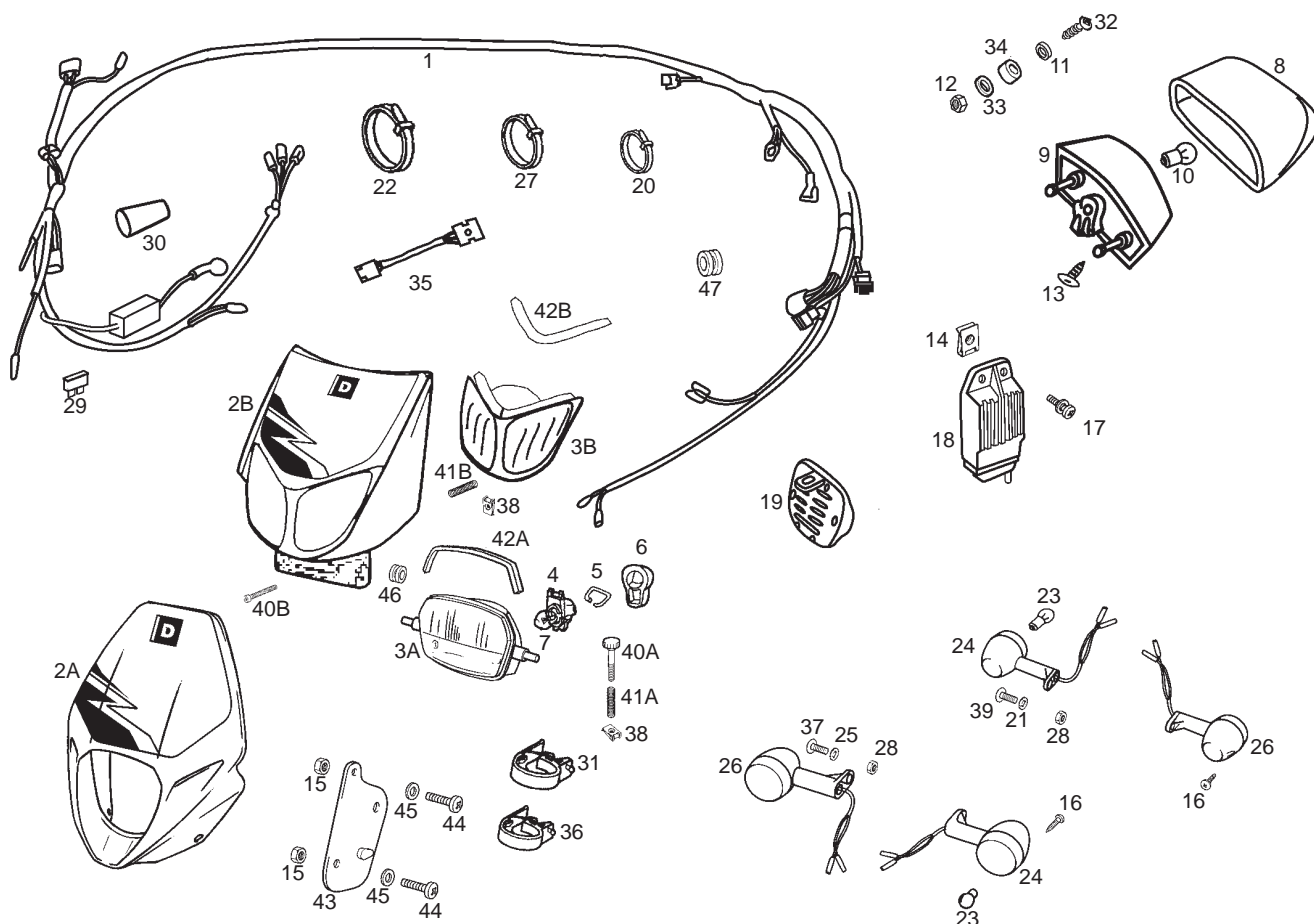
| Fig. | Ver. | COD. KOD. | DESCRIPCIÓN DENOMINAZIONE NAME | BEZEICHNUNG DESIGNATION | MOD. | NOTAS NOTES NOTA MITSCHRIFT NOTES |
|------|------|-------------|--|--|-------------|---|
| 27A | | 00H02105611 | CTO. PORTAMANETA IZQUIERDO PORTAMANOPOLA SINIST LEFT LEVER BRACKET | BREMSHEBEL LINKS KOMPLETT ENS. PORTE-MANETTE GAUCHE | 1 2 3 4 5 6 | |
| 28A | | 00G00901661 | CTO MANETA AIRE LEVA ARIA AIR LEVER | LUFTHEBEL LEVIER | 3 6 | SINCE FRAME 9H433718 |
| 29A | | 861621 | TORNILLO C/AVELLANADA 2,5x9.5 VITE SCREW | SCHRAUBE VIS | 3 6 | SINCE FRAME 9H433718 |
| 30A | | 861305 | CABLE-FUNDA AIRE CAVO ARIA AIR CABLE | LUFTKABEL CABLE DE AIR | 3 6 | SINCE FRAME 9H433718 |



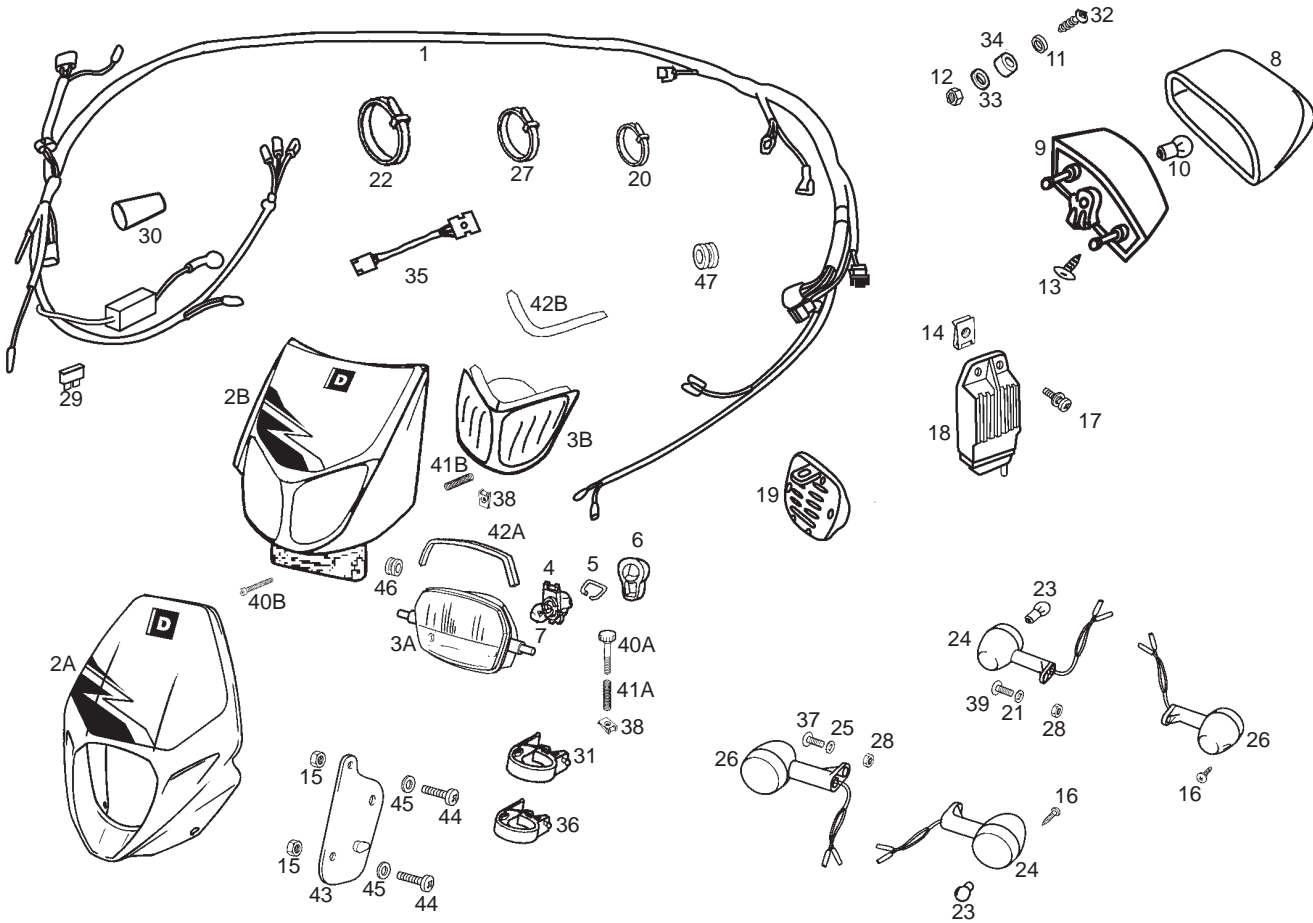
| Fig. | Ver. | COD. KOD. | DESCRIPCIÓN DENOMINAZIONE NAME | BEZEICHUNG DESIGNATION | MOD. | NOTAS NOTES NOTA MITSCHRIFT NOTES |
|------|------|-------------|--|---|-------------|-----------------------------------|
| 01A | | 00H01046301 | CTO.INSTALACION ELECTRICA IMPIANTO ELETTRICO ELECTRICAL INSTALLATIONS ASSY. | KOBELBAUM FAISCEAU ELECTRIQUE | 1 2 3 4 5 6 | |
| 02A | | 86516500WN0 | CARCASA DE FARO CARCASA FARO HEADLIGHT CUSING SUB-ASSEMBLY | SCHEINWERFERVERKLEIDUNG PLAQUE PHARE | 1 2 3 4 5 6 | |
| 02B | | 86515100WN0 | CARCASA DE FARO CARCASA FARO HEADLIGHT CUSING SUB-ASSEMBLY | SCHEINWERFERVERKLEIDUNG PLAQUE PHARE | 1 2 4 5 | ONLY FRANCE AUSTRIA |
| 03A | | 00H01015011 | CTO FARO DELANTERO FARO ANTERIORE HEADLIGHT LENS SUB-ASSEMBLY | SCHEINWERFER OPTIQUE COMPLETE | 1 2 3 4 5 6 | |
| 03B | | 00H01013011 | CTO FARO DELANTERO FARO ANTERIORE HEADLIGHT LENS SUB-ASSEMBLY | SCHEINWERFER OPTIQUE COMPLETE | 1 2 4 5 | ONLY FRANCE AUSTRIA |
| 04A | | 00003710110 | R-PORTALAMPARAS PORTA-LAMPADE BULB HOLDER | LAMPENHALTER R-PORTE-LAMPES | 1 2 3 4 5 6 | |
| 05A | | 00003710120 | R-MUELLE PORTLAMPARAS R- MOLLA PORTALAMPADE BULB HOLDER SPRING | FEDER F. LAMPENHALTER R-RESSORT PORTE-LAMPES | 1 2 3 4 5 6 | |
| 06A | | 00H05703141 | R-PROTECTOR PORTALAMPARAS R-PROTEZIONE PORTA LAMPADA FA HEADLAMP BULB HOLDER PROTC | LAMPENDECKEL R-PROT.PORTE-LAMPES | 1 2 3 4 5 6 | |
| 07A | | 00H01000131 | LAMPARA FARO 12V 35W/35W LAMPADA FARO HEADLIGHT BULB | SCHEINWERFERLAMPE TUBE PHARE | 1 2 3 4 5 6 | |
| 08A | | 00H01002341 | R-CRISTAL PILOTO VETRO SPIA/STOP LENS, TAILLIGHT | RUCK LIGHTCELLONES CABOCHON DE FEU ARRIERE | 1 2 3 4 5 6 | |
| 09A | | 00H01006321 | CTO.FARO PILOTO FANALINO POSTERIORE TAIL LIGHT ASSY | RUCKLIGHT FEU ARRIERE | 1 2 3 4 5 6 | |



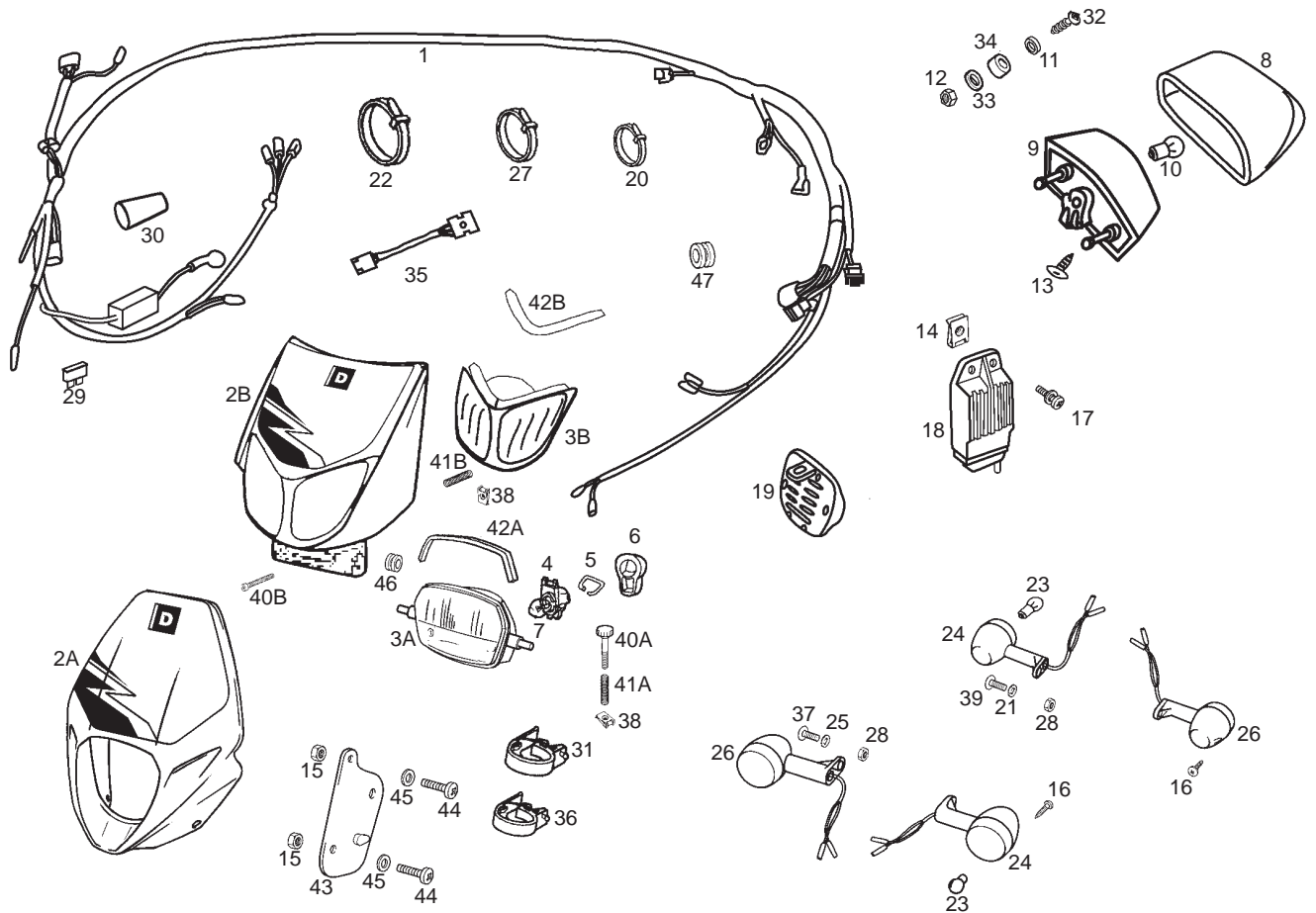
| Fig. | Ver. | COD. KOD. | DESCRIPCIÓN DENOMINAZIONE NAME | BEZEICHNUNG DESIGNATION | MOD. | NOTAS NOTES NOTA MITSCHRIFT NOTES |
|------|------|-------------|--|---------------------------------------|-------------|-----------------------------------|
| 10A | | 00H01000371 | LAMP.PILOTO-STOP.12V.21/5W. LAMPADA FANALINO POSTERIORE BULB, TAILLIGHT/STOP | BIRNE BREMSLIGHT LAMPE-TEMOIN-STOP | 1 2 3 4 5 6 | |
| 11A | | 00H03800722 | ARANDELA TOPE MUELLE EMBRAGUE RONDELLA WASHER | SCHEIBE RONDELLE | 1 2 3 4 5 6 | |
| 12A | | 00000023051 | TUERCA AUTOBLOCANTE 5M80 DADO NUT | MUTTER ECROU | 1 2 3 4 5 6 | |
| 13A | | 00G01001571 | R-TORNILLO FIJ.FARO PILOTO PREDATOR VITE SCREW | SCHRAUBE VIS | 1 2 3 4 5 6 | |
| 14A | | 00D01501371 | TUERCA FIJACION D6 DADO NUT | MUTTER ECROU | 1 2 3 4 5 6 | |
| 15A | | 00026005000 | TUERCA EXAG C/BRIDA 5M80 DADO NUT | MUTTER ECROU | 1 2 3 4 5 6 | |
| 16A | | 00011021300 | TORNILLO AUTR.C/CRUZ.2,9X13 VITE SCREW | SCHRAUBE VIS | 1 2 3 4 5 6 | |
| 17A | | 00D05910081 | SCTO TORNILLO 6M100X16 VITE SCREW | SCHRAUBE VIS | 1 2 3 4 5 6 | |
| 18A | | 864660 | REGULADOR AC/DC REGOLATORE TENSIONE REGULATOR | SPANNUNGSREGLER REGULATEUR AC/DC | 1 2 3 4 5 6 | |
| 19A | | 00H01005311 | CTO. CLAXON CLACSON HORN ASSEMBLY | HUPE KLAXON COMPLET | 1 2 3 4 5 6 | |
| 20A | | 00D00900531 | BRIDA 140 X 3,6 FLANGIA UNIONE CAVI BLACK CABLE TIE | KABELBINDER COLLIER | 1 2 3 4 5 6 | |



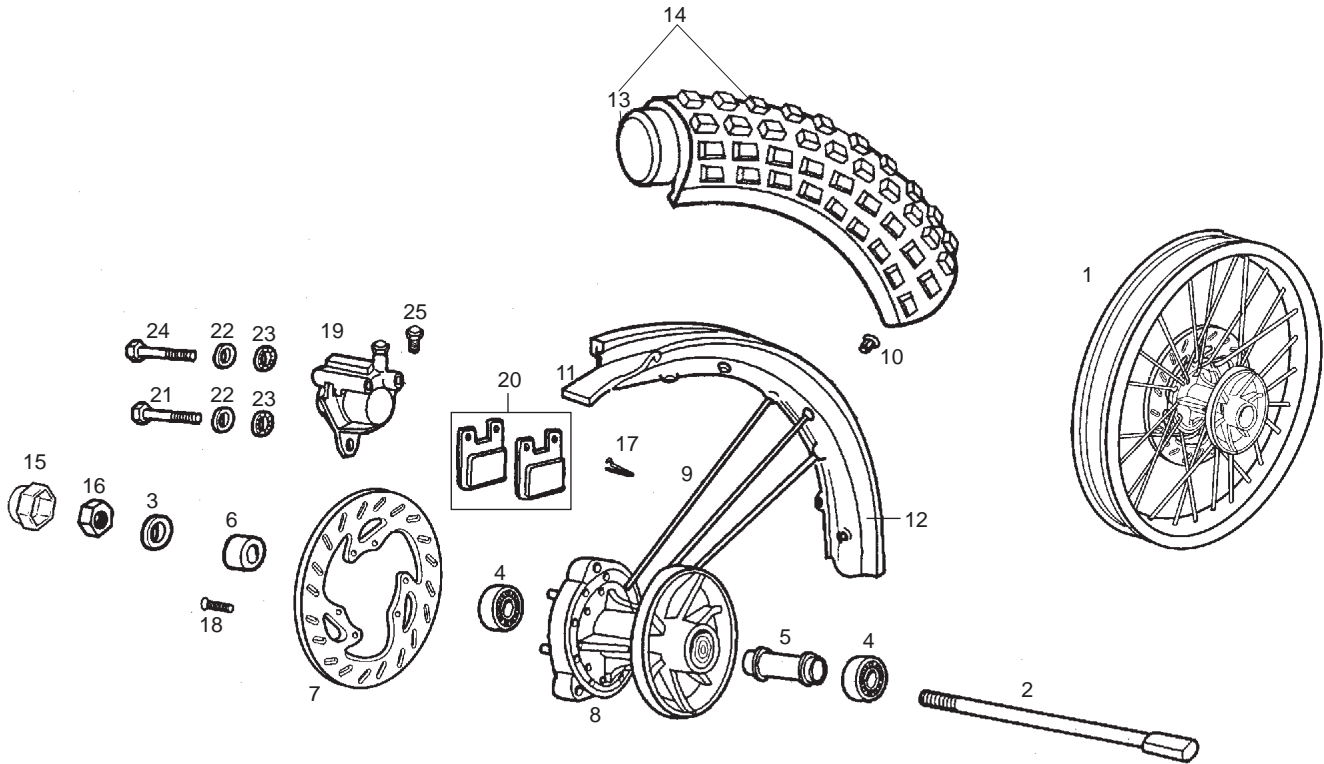
| Fig. | Ver. | COD. KOD. | DESCRIPCIÓN DENOMINAZIONE NAME | BEZEICHUNG DESIGNATION | MOD. | NOTAS NOTES NOTA MITSCHRIFT NOTES |
|------|------|-------------|--|--|-------------|-----------------------------------|
| 21A | | 00031106000 | ARANDELA PLANA D6 RONDELLA WASHER | SCHEIBE RONDELLE | 1 2 3 4 5 6 | |
| 22A | | 00F00900531 | BRIDA 290 X 4,8 FLANGIA UNIONE CAVI BLACK CABLE TIE | KABELBINDER COLLIER | 1 2 3 4 5 6 | |
| 23A | | 0000A517011 | BOMBILLA INTERMITENTES LAMPADA INDICATOR LIGHT BULB | BLINKLICHTLAMPE TUBE PHARES CLIGNOTANTS | 1 2 3 4 5 6 | |
| 24A | | 00H01703301 | CTO.FARO INTTE.TR.DR.ROUND INDIC.DIREZIONE TURN SIGNAL LIGHT REAR RH | BLINKR HINTEN GLIGNOTEURS AR. DROITE | 1 2 3 4 5 6 | |
| 25A | | 00031106000 | ARANDELA PLANA D6 RONDELLA WASHER | SCHEIBE ROND.PLATE MECANISEE | 1 2 3 4 5 6 | |
| 26A | | 00H01703391 | CTO.FARO INTTE.TR.IZQ.ROUND COMP.INDIC.DIREZIONE TURN SIGNAL LIGHT REAR LEFT | BLINKR HINTEN GLIGNOTEURS AR. GAUCHE | 1 2 3 4 5 6 | |
| 27A | | 00D00900531 | BRIDA 200 X 3,6 FLANGIA UNIONE CAVI BLACK CABLE TIE | KABELBINDER COLLIER | 1 2 3 4 5 6 | |
| 28A | | 00000023060 | TUERCA AUTOBLOCANTE 6M100 DADO NUT | MUTTER ECROU | 1 2 3 4 5 6 | |
| 29A | | 00H01001911 | FUSIBLE 7,5 AMP FUSIBILE FUSE | FUSE FUSIBLE | 1 2 3 4 5 6 | |
| 30A | | 00H02300961 | PROTECTOR INSTALACION PROTEZIONE WIRING HARNESS CONNECTOR | WIRING HARNESS CONNECTOR PROTE PROTECTION CONNEXIONS INSTALLA | 1 2 3 4 5 6 | |
| 31A | | 00H04607841 | BRIDA FIJACION CARCASA FARO FLANGIA CLAMP | BEF.-SCHELLE ENTRETOISE | 1 2 3 4 5 6 | |



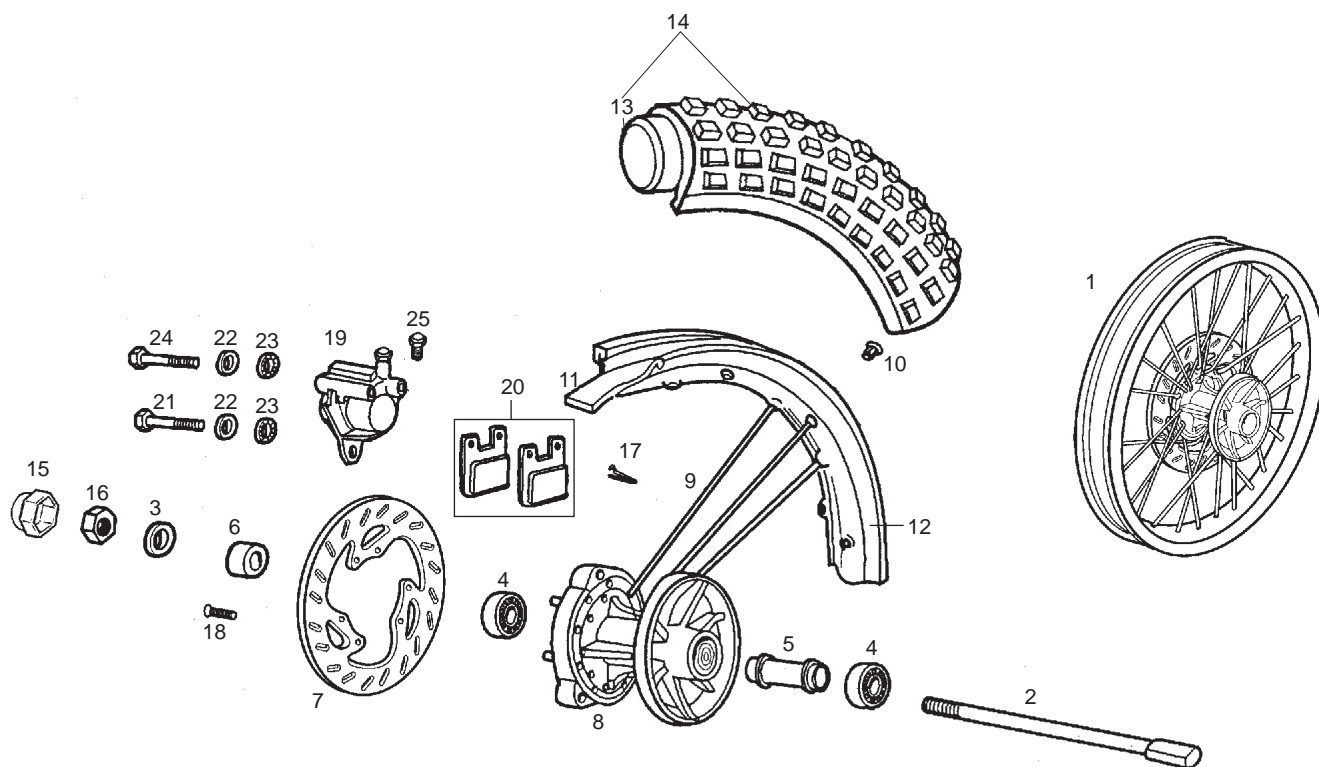
| Fig. | Ver. | COD. KOD. | DESCRIPCIÓN DENOMINAZIONE NAME | BEZEICHUNG DESIGNATION | MOD. | NOTAS NOTES NOTA MITSCHRIFT NOTES |
|------|------|-------------|--|-----------------------------------|------------|-----------------------------------|
| 31B | | 00H04608841 | BRIDA FIJ. SUP.CARCASA FARO FLANGIA CLAMP | BEF.-SCHELLE ENTRETOISE | 12 45 | ONLY FRANCE AUSTRIA |
| 32A | | 00004053500 | TORNILLO C/ALLEN 5 X 35 VITE BOLT | INBUSSCHRAUBE VIS | 12 3 4 5 6 | |
| 33A | | 00H01002821 | CASQUILLO GHIERA BEARING | LAGER COUSSINET | 12 3 4 5 6 | |
| 34A | | 00H06800461 | SILENTB.FIJ.SOYTE.CARENADO SILENTBLOCK FISS.SUPORTO FAIRING MOUNTING BRACKET SECUR | SILENTBLOCK SILENTBLOC | 12 3 4 5 6 | |
| 35A | | 00H05700481 | CTO.TEMPORIZADOR CHECK IND. TEMPORIZZATORE CHECK INP. TIMER CHECK INDICATOR | ZEITSCHALTER FAISCEAU COMPTEUR | 12 3 4 5 6 | |
| 36A | | 00H04607841 | BRIDA FIJACION CARCASA FARO FLANGIA CLAMP | BEF.-SCHELLE ENTRETOISE | 12 3 4 5 6 | |
| 37A | | 00008063000 | TORNILLO C/RED ALLEN 6M100X30 VITE SCREW | SCHRAUBE VIS | 12 3 4 5 6 | |
| 38A | | 00G04401462 | TUERCA FIJACION D5 DADO NUT | MUTTER ECROU | 12 3 4 5 6 | |
| 39A | | 00008061500 | TORNILLO C/RED ALLEN 6M100X16 VITE SCREW | SCHRAUBE VIS | 12 3 4 5 6 | |
| 40A | | 00012053000 | TORNILLO REGULACION VITE SCREW | SCHRAUBE VIS | 12 3 4 5 6 | |
| 40B | | 00012045000 | TORNILLO REGULACION VITE SCREW | SCHRAUBE VIS | 12 4 5 | ONLY FRANCE AUSTRIA |



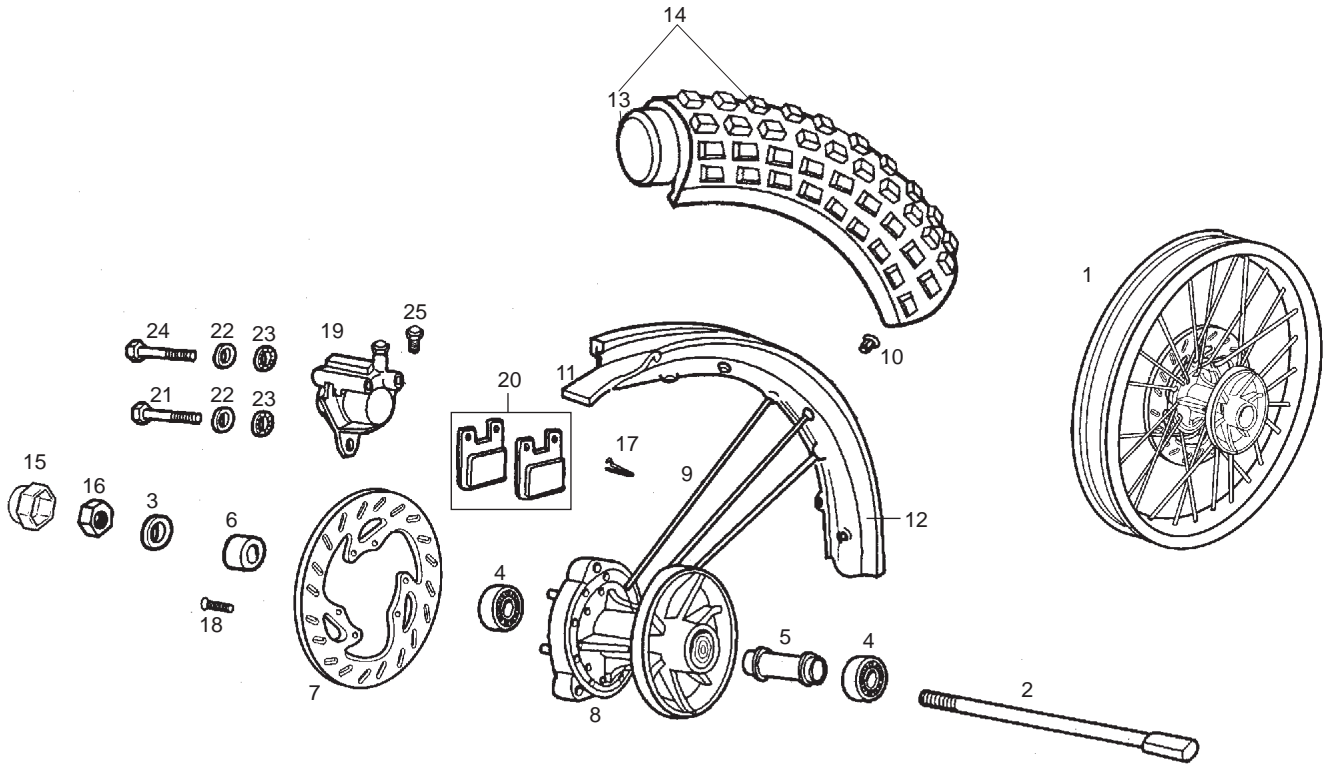
| Fig. | Ver. | COD. KOD. | DESCRIPCIÓN DENOMINAZIONE NAME | BEZEICHUNG DESIGNATION | MOD. | NOTAS NOTES NOTA MITSCHRIFT NOTES |
|------|------|-------------|--|--|-------------|-----------------------------------|
| 41A | | 00H02305501 | MUELLE REGULACION MOLLA FARO ANTERIORE FRONT HEAD LIGHT SPRING | SCHEINWERFER-FEDER RESSORT PHARE AVANT | 1 2 3 4 5 6 | |
| 41B | | 00H02304501 | MUELLE REGULACION MOLLA FARO ANTERIORE FRONT HEAD LIGHT SPRING | SCHEINWERFER-FEDER RESSORT PHARE AVANT | 1 2 4 5 | ONLY FRANCE AUSTRIA |
| 42A | | 00H05701101 | TOPE FARO FERMO FARO HEADLIGHT STOP | ANSCHLAG SCHEINWERFER BUTEE PHARE | 1 2 3 4 5 6 | |
| 42B | | 00H05700101 | TOPE FARO FERMO FARO HEADLIGHT STOP | ANSCHLAG SCHEINWERFER BUTEE PHARE | 1 2 4 5 | ONLY FRANCE AUSTRIA |
| 43A | | 00H01502741 | SOPORTE CARCASA FARO SUPPORTO CARC. HEADLIGHT CUSING SUPPORT | HALTERUNG SUPPORT | 1 2 3 4 5 6 | |
| 44A | | 00012051200 | TORNILLO C/R.CRUZ.5M80X12 VITE SCREW | SCHRAUBE VIS | 1 2 3 4 5 6 | |
| 45A | | 00000031050 | ARANDELA PLANA D5 RONDELLA WASHER | SCHEIBE RONDELLE | 1 2 3 4 5 6 | |
| 46A | | 00H05701061 | PASACABLES PORTACAVI IST. FARAFANGO POST. GROMMET | GUMMI CAOUTCHOUC PASSE-CABLE | 1 2 3 4 5 6 | |
| 47A | | 864587 | PROTECTOR GUIA CABLES PORTACAVI IST. FARAFANGO POST. GROMMET | GUMMI CAOUTCHOUC PASSE-CABLE | 1 2 3 4 5 6 | |



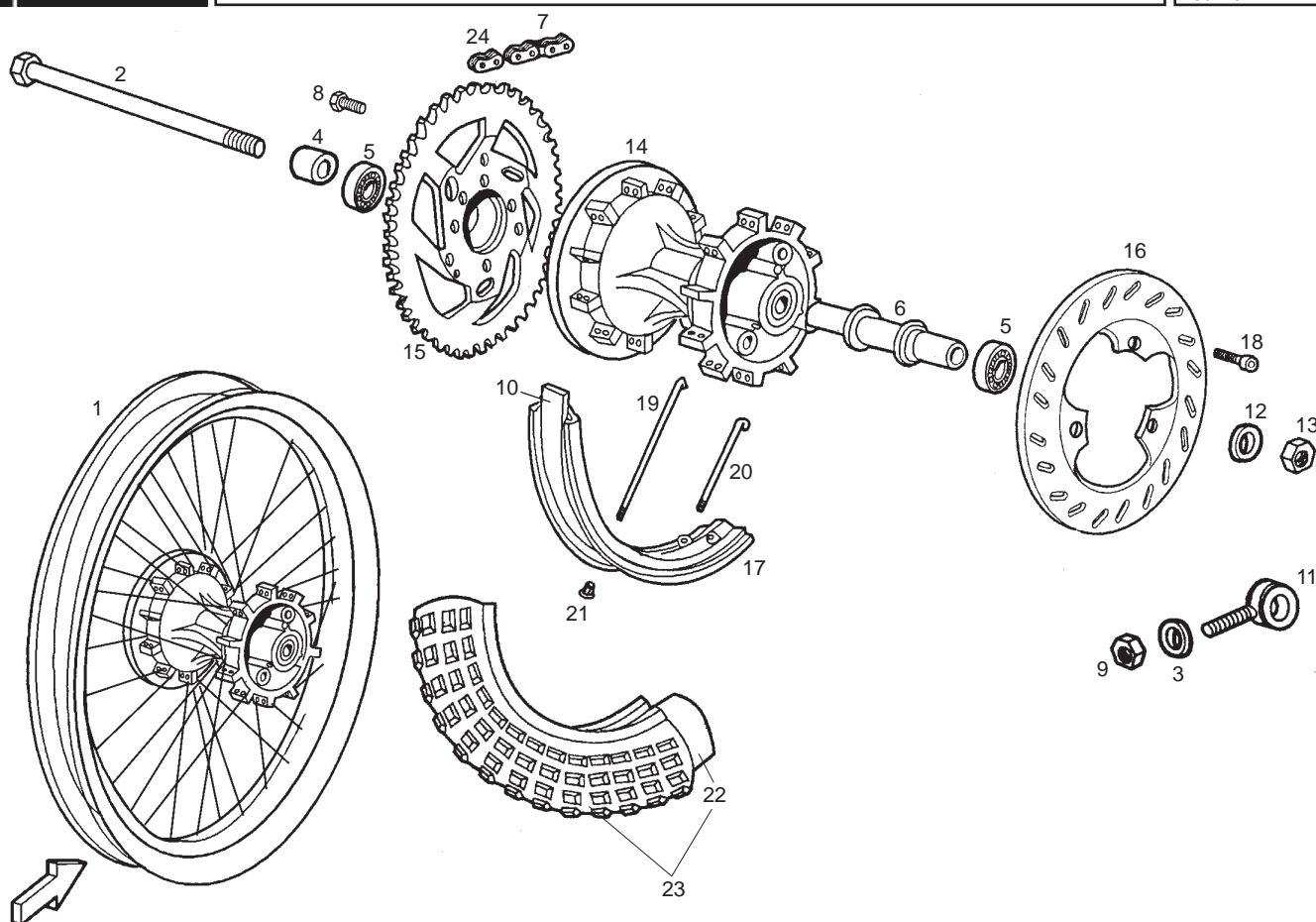
| Fig. | Ver. | COD. KOD. | DESCRIPCIÓN DENOMINAZIONE NAME | BEZEICHUNG DESIGNATION | MOD. | NOTAS NOTES NOTA MITSCHRIFT NOTES |
|------|------|-------------|--|---|-------------|-----------------------------------|
| 01A | | 00H04713082 | R-CTO RUEDA DT C/DISCO R-COMPL. RUOTA C/DISCO FRONT WHEEL W/DISC | VORDERRAD M/BREMSSCHEIBE ROUE AVEC DISQUE | 1 2 3 4 5 6 | |
| 02A | | 00H01203272 | EJE RUEDA DTRA. ASSE RUOTA ANTERIORE AXLE FRONT WHEEL | VORDERRADACHSE AXE DE ROUE AV. | 1 2 3 4 5 6 | |
| 03A | | 00003112322 | ARANDELA EJE RUEDA. RONDELLA ASSE RUOTA FRONT WHEEL AXLE WASHER | SHEIBE RADACHSE RONDELLE AXE ROUE | 1 2 3 4 5 6 | |
| 04A | | 00058120100 | COJINETE 12.32.10 CUSCINETTO BEARING | LAGER PALIER | 1 2 3 4 5 6 | |
| 05A | | 00D01300091 | SEPARADOR COJINETES SEPARATORE CUSCINETTI SPACER | DISTANZHULSE ENTRETOISE | 1 2 3 4 5 6 | |
| 06A | | 00008213182 | CASQUILLO LADO PLATO CHIERA LATO PIATTO SIDEFLAGE SLEEVE | DISTANZHULSE ENTRETOISE | 1 2 3 4 5 6 | |
| 07A | 01 | 00H01209021 | DISCO FRENO DELANTERO DISCO FRENO ANTERIORE FRONT BRAKE DISC | SCHEIBE NBREMSE VORN DISQUE FREIN AVANT | 1 2 3 4 5 6 | |
| 07A | | 86156R | DISCO FRENO DELANTERO DISCO FRENO ANTERIORE FRONT BRAKE DISC | SCHEIBE NBREMSE VORN DISQUE FREIN AVANT | 1 2 3 4 5 6 | |
| 08A | | 00H01205711 | CTO. CARRETE DTRO. MOZZO ANT. FRONT HUB ASSY | RADNABE MOYEU | 1 2 3 4 5 6 | |
| 09A | | 00H01206061 | RADIO RUEDA DT RAGGIO RUOTA ANT. WHEEL ARM. | SPEICHE RAYON DE ROUE | 1 2 3 4 5 6 | |
| 10A | | 00002212070 | TUERCA RADIO. DADO NUT | MUTTER ECROU | 1 2 3 4 5 6 | |



| Fig. | Ver. | COD. KOD. | DESCRIPCIÓN DENOMINAZIONE NAME | BEZEICHNUNG DESIGNATION | MOD. | NOTAS NOTES NOTA MITSCHRIFT NOTES |
|------|------|-------------|---|--|-------------|-----------------------------------|
| 11A | | 00D01201091 | PROTECTOR CAMARA PROTETTORE CAMERA RUOTA RIM STRIP | FELGELBAND PROTECTEUR DE CHAMBRE A AIR | 1 2 3 4 5 6 | |
| 12A | | 00H01212081 | R-LLANTA DT 1,6X21" CERCHIONE RUOTA ANT. FRONT WHEEL RIM | VORDERRADFELGE JANTE AV. | 1 2 3 4 5 6 | |
| 13A | | 00H01206101 | CAMARA CAMERA DIARIA FRONT TUBE | SCHLAUCH VORNE CHAMBRE A AIR | 1 2 3 4 5 6 | |
| 14A | | 00H01208111 | CTO. CUBIERTA DT 21" COPERTORE ANT. FRONT CASING | REIFEN BORN PNEU AV. | 1 2 3 4 5 6 | |
| 15A | | 00H01202331 | PROTECTOR TUERCA DADO NUT | MUTTER ECROU | 1 2 3 4 5 6 | |
| 16A | | 00232120032 | TUERCA EXAGONAL 12M150 DADO NUT | MUTTER ECROU | 1 2 3 4 5 6 | |
| 17A | | 00H01301831 | MUELLE FIJ. PASTILLA FRENO MOLLA FISSAGGIO PASTIGLIA FREN REAR BRAKE PAD SECUR SPRING | FEDER RESSORT FIXATION PLAQUETTE | 1 2 3 4 5 6 | |
| 18A | | 00H02402282 | TORNILLO FIJ.DISCO FRENO VITE SCREW | SCHRAUBE VIS | 1 2 3 4 5 6 | |
| 19A | | 00H01202193 | R-CTO PINZA FRENO DT PINZA LEFT-HAND FRONT CLIP ASSY | BREMSZANGE ENS.ETRIER DE FREIN | 1 2 3 4 5 6 | |
| 20A | | 00G04700141 | JUEGO PASTILLAS DE FRENO CONG. PASTIGLIE FRENO SET OF BRAKE PADS | DIE GESAMTHEIT BREMSBACKEN ENS. PLAQUETTE DE FREIN | 1 2 3 4 5 6 | |
| 21A | | 00022083021 | TORNILLO 8M125X30 VITE SCREW | SCHRAUBE VIS | 1 2 3 4 5 6 | |

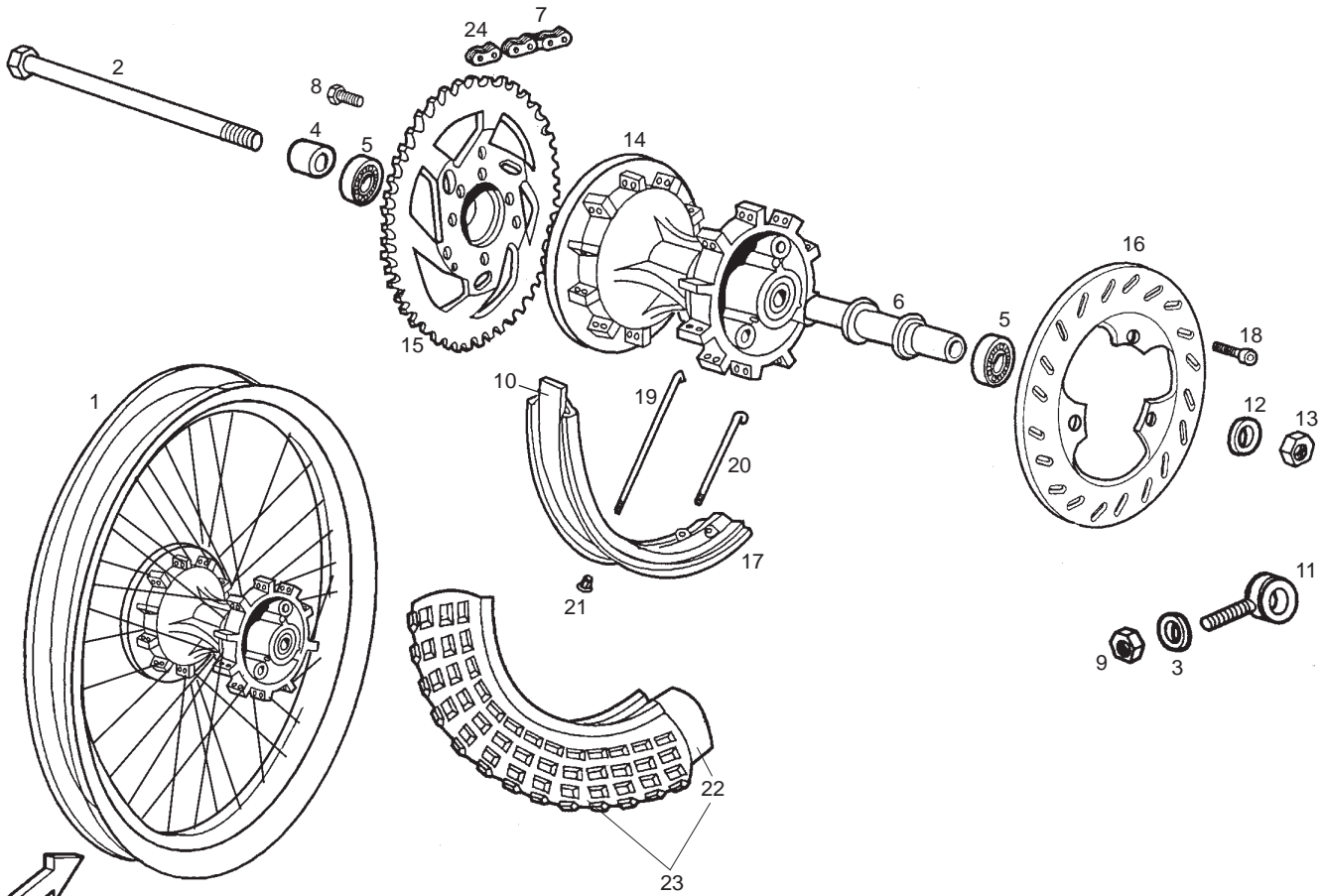


| Fig. | Ver. | COD. KOD. | DESCRIPCIÓN DENOMINAZIONE NAME | BEZEICHNUNG DESIGNATION | MOD. | NOTAS NOTES NOTA MITSCHRIFT NOTES |
|------|------|-------------|--|---|-------------|-----------------------------------|
| 22A | | 00402080001 | ARANDELA D8 RONDELLA WASHER | SCHEIBE RONDELLE | 1 2 3 4 5 6 | |
| 23A | | 00034000802 | ARANDELA ESTRELL.INT.D8 RONDELLA WASHER | SCHEIBE RONDELLE | 1 2 3 4 5 6 | |
| 24A | | 00031086022 | TORNILLO C/EX. 8M125X60 VITE SCREW | SCHRAUBE VIS | 1 2 3 4 5 6 | |
| 25A | | 00F04700121 | R-CTO. PURGADOR PINZA FRENO DT. R-SPURGO FRONT BRAKE BLEED CLIP ASSY | ABLASSHAHN R-ENS.PURGEUR PINCE FREIN A | 1 2 3 4 5 6 | |



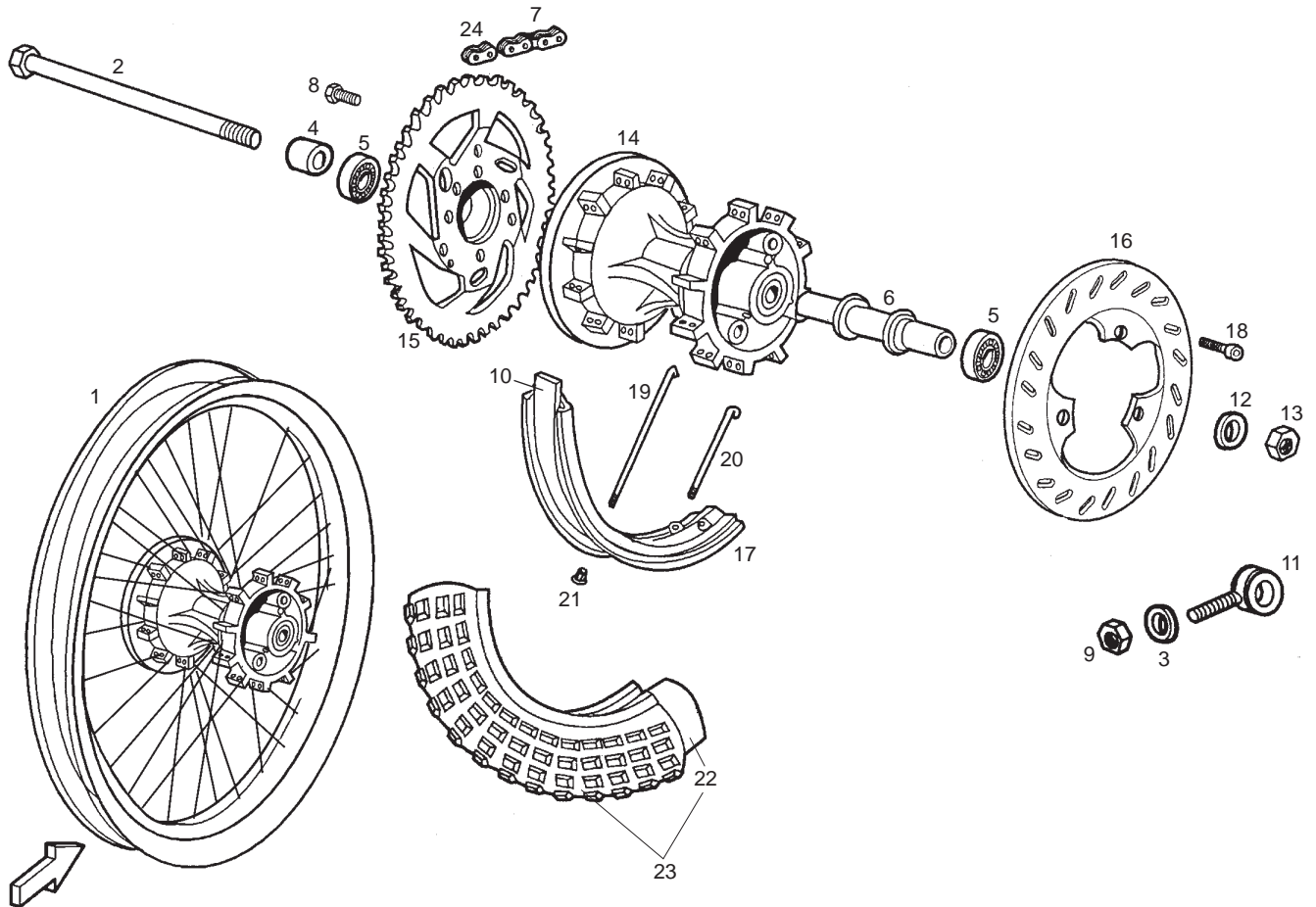
FWD

| Fig. | Ver. | COD. KOD. | DESCRIPCIÓN DENOMINAZIONE NAME | BEZEICHNUNG DESIGNATION | MOD. | NOTAS NOTES NOTA MITSCHRIFT NOTES |
|------|------|-------------|---|--|-------------|-----------------------------------|
| 01A | | 00H02404331 | R-CTO LLANTA TR.C/CARR 2,15X18 CERCHIONE CON MOZZO REAR RIM WITH HUB | HINTERRAD MIT RADNABE ROUE ARRIERE AVEC MOYEU | 1 2 3 4 5 6 | |
| 02A | | 00H01304202 | CTO. EJE RDA. TRAS. SUBASSE RUOTA POSTER REAR WHEEL AXLE SUB-ASSEMBLY G | HINTERRADACHSE AXE ROUE ARRIERE | 1 2 3 4 5 6 | |
| 03A | | 00402060001 | ARANDELA D6 RONDELLA WASHER | SCHEIBE RONDELLE | 1 2 3 4 5 6 | |
| 04A | | 00001113192 | CASQUILLO GRUESO LADO PLATO GHIERA LATO PIATTO SPACER | DISTANZHULSE ENTRETOISE | 1 2 3 4 5 6 | |
| 05A | | 00058120100 | COJINETE 12.32.10 CUSCINETTO BEARING | LAGER PALIER | 1 2 3 4 5 6 | |
| 06A | | 00H01304091 | SEPARADOR COJINETES SEPARATORE CUSCINETTI SPACER | DISTANZHULSE ENTRETOISE | 1 2 3 4 5 6 | |
| 07A | | 00H01502201 | CADENA SECUNDARIA 130 P CATENA SEZ. TRANSMISSION CHAIN | KETTE CHAINE TRANSMISSION | 1 2 4 5 | |
| 07B | | 00H01506201 | CADENA SECUNDARIA 136 P CATENA SEZ. TRANSMISSION CHAIN | KETTE CHAINE TRANSMISSION | 3 6 | |
| 08A | | 00002182000 | TORNILLO C/EXAG.8M125X20 VITE SCREW | SCHRAUBE VIS | 1 2 3 4 5 6 | |
| 09A | | 00000023060 | TUERCA AUTOBLOCANTE 6M100 DADO NUT | MUTTER ECROU | 1 2 3 4 5 6 | |
| 10A | | 00D01301401 | PROTECTOR CAMARA PROTEZIONE CAMERA RUOTA POSTER RIM STRIP | FELGELBAND PROTECTEUR DE CHAMBRE A AIR | 1 2 3 4 5 6 | |



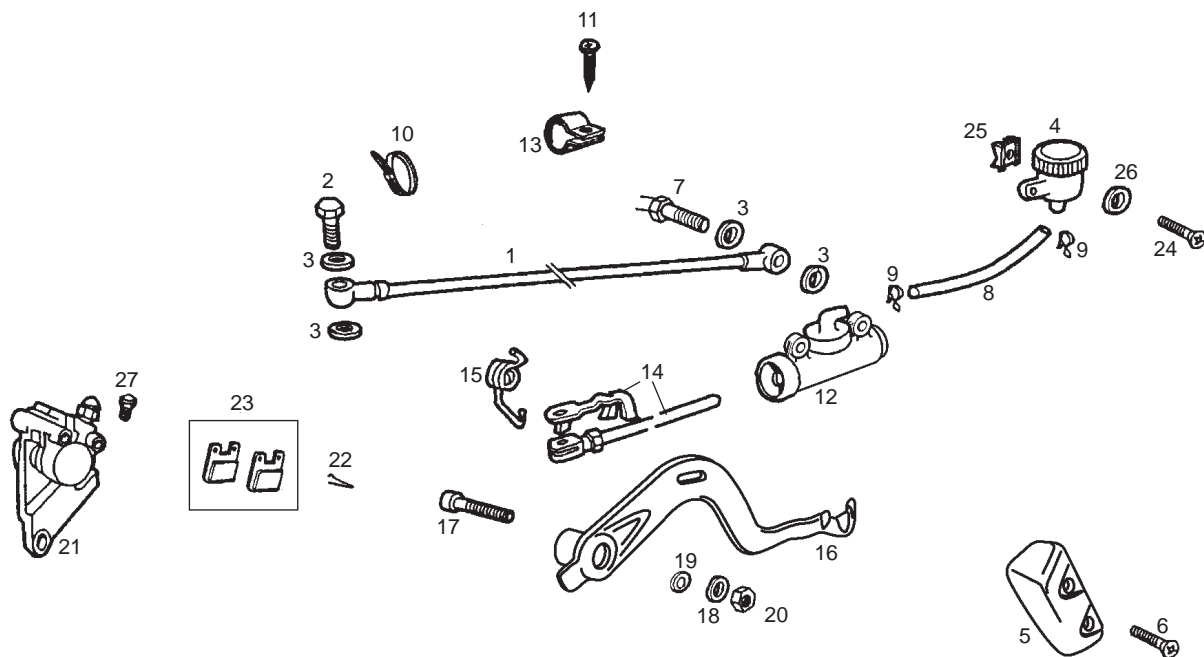
FWD

| Fig. | Ver. | COD. KOD. | DESCRIPCIÓN DENOMINAZIONE NAME | BEZEICHNUNG DESIGNATION | MOD. | NOTAS NOTES NOTA MITSCHRIFT NOTES |
|------|------|-------------|--|---|-------------|-----------------------------------|
| 11A | | 00H01302172 | SCTO.TENSOR RUEDA SUBTENSORE RUOTA SEN ADJUSTER, REAR WHEEL | HINTERRADSPANNER TENDEUR DE ROUE ENSEMBLE | 1 2 3 4 5 6 | |
| 12A | | 00F01210312 | ARANDELA EJE RONDELLA WASHER | SCHEIBE RONDELLE | 1 2 3 4 5 6 | |
| 13A | | 00262120032 | TUERCA AUTOBLOCANTE 12M150 DADO NUT | MUTTER ECROU | 1 2 3 4 5 6 | |
| 14A | | 00H01307821 | CTO.CARRETE TRASERO MOZZO POST. REAR COIL | RADNABE MOYEU ARRIERE | 1 2 3 4 5 6 | |
| 15A | 01 | 00H01317032 | PLATO ARRASTRE Z-53 BLANCO PIATTO TRAINO DRIVE PLATE | MITNEHMERSCHEIBE COURONNE ARRIERE | 1 2 4 5 | UNTIL FRAME 9H425136 |
| 15A | | 00H01317031 | PLATO ARRASTRE Z-53 NEGRO PIATTO TRAINO DRIVE PLATE | MITNEHMERSCHEIBE COURONNE ARRIERE | 1 2 4 5 | SINCE FRAME 9H425137 |
| 15B | | 00H01326031 | PLATO ARRASTRE Z-65 PIATTO TRAINO DRIVE PLATE | MITNEHMERSCHEIBE COURONNE ARRIERE | 3 6 | |
| 16A | | 00H01305531 | DISCO FRENO TR. DISCO FRENO POSTERIORE REAR BRAKE DISC | BREMSSCHEIBE HINTEN DISQUE DE FREIN ARRIERE | 1 2 3 4 5 6 | |
| 17A | | 00H01302351 | R-LLANTA TRASERA 2,15X18 CERCHIONE POSTERIORE REAR RIM | HINTERRADFELGE JANTE ARRIERE NUE. | 1 2 3 4 5 6 | |
| 18A | | 00H02401282 | TORNILLO FIJ.DISCO FR.TR. VITE SCREW | SCHRAUBE VIS | 1 2 3 4 5 6 | |
| 19A | | 00H01301501 | RADIO TRASERO LADO PLATO RADIO POST.LATO PIATTO REAR INNER SPOKE | SPEICHE RAYON ROUE ARRIERE INT. | 1 2 3 4 5 6 | |

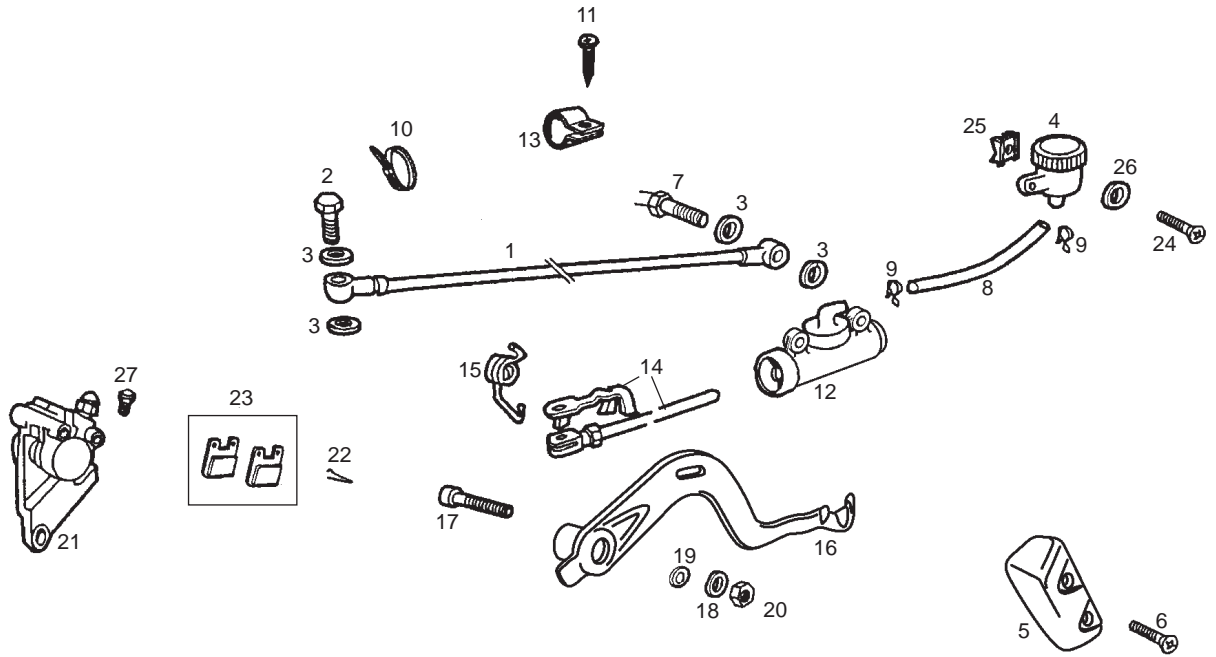


FWD

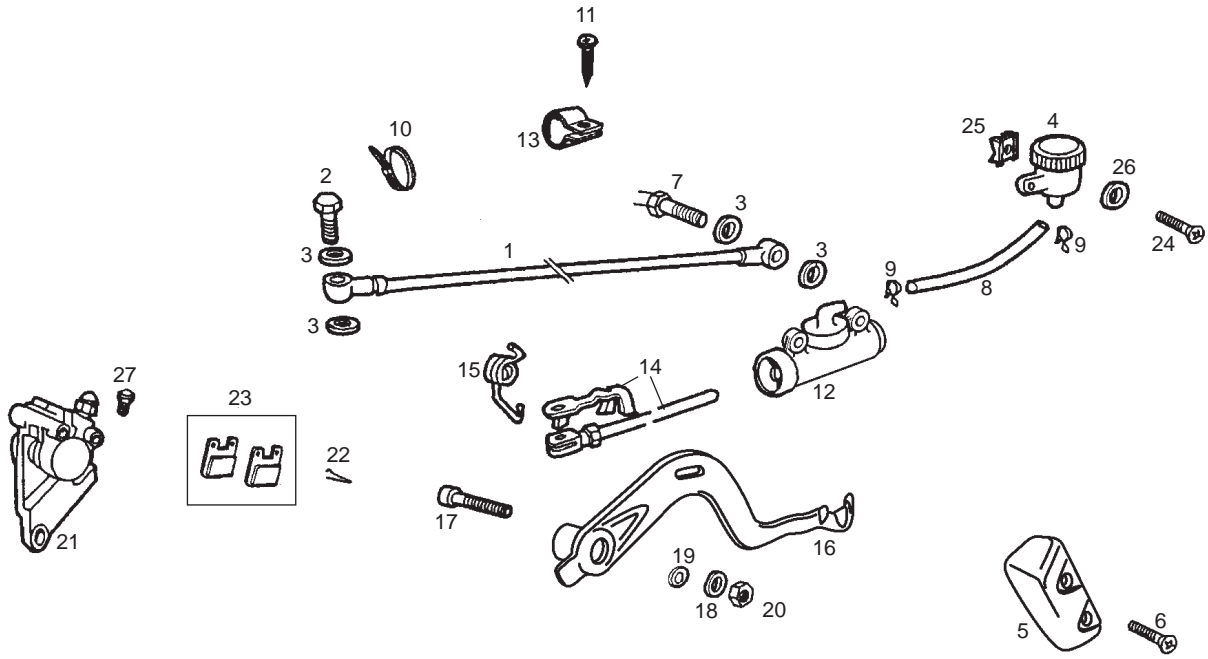
| Fig. | Ver. | COD. KOD. | DESCRIPCIÓN DENOMINAZIONE NAME | BEZEICHNUNG DESIGNATION | MOD. | NOTAS NOTES NOTA MITSCHRIFT NOTES |
|------|------|-------------|---|------------------------------------|-------------|-----------------------------------|
| 20A | | 00H01301691 | RADIO TRASERO LADO DISCO RADIO POST. DISCO REAR SHORT INNER SPOKE | SPEICHE RAYON ROUE AR INT.COURT | 1 2 3 4 5 6 | |
| 21A | | 00002212070 | TUERCA RADIO. DADO NUT | MUTTER ECROU | 1 2 3 4 5 6 | |
| 22A | | 00H01308361 | CAMARA CAMERA RUOTA POST. REAR WHEEL CAMBER | SCHLAUCH CHAMRE A AIR ARR. | 1 2 3 4 5 6 | |
| 23A | | 00H01309321 | CTO. CUBIERTA TRASERA 18" COPERTONE POST. REAR CASING | REIFEB HINTEN PNEU ARR. | 1 2 3 4 5 6 | |
| 24A | | 00H01501212 | R-ENGANCHE DORAD.CADENA SEC. AGGANCIAMENTO CATENA SICUREZZA MASTER LINK | KETTENSLOSS ATTACHE RAPIDE | 1 2 3 4 5 6 | |



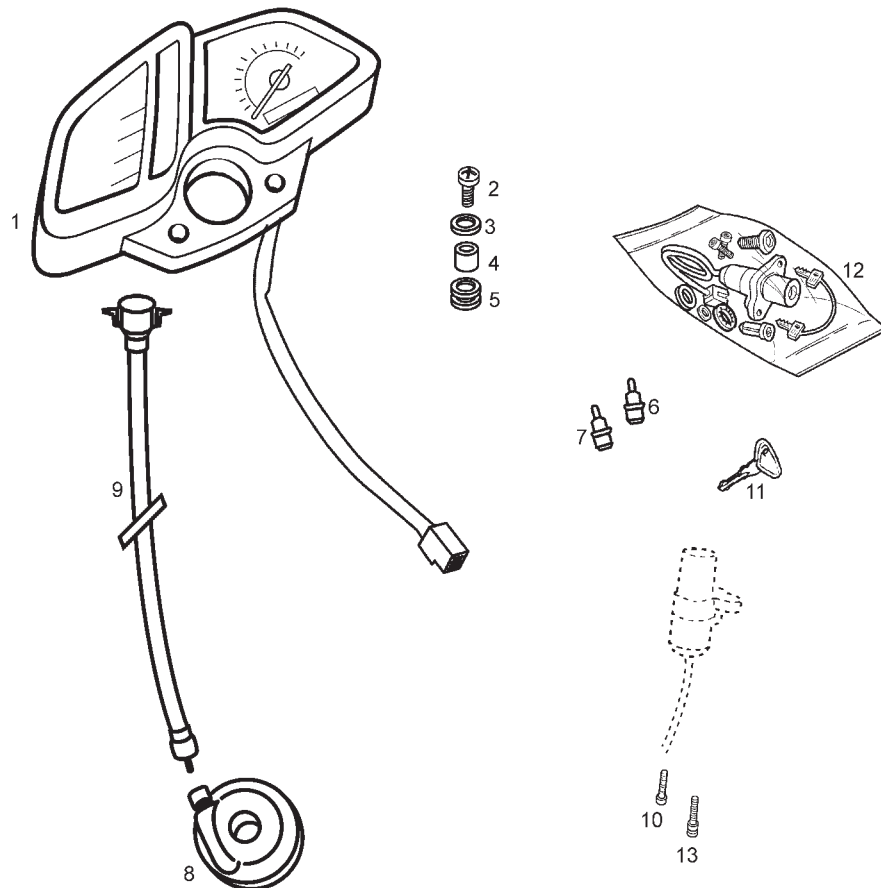
| Fig. | Ver. | COD. KOD. | DESCRIPCIÓN DENOMINAZIONE NAME | BEZEICHNUNG DESIGNATION | MOD. | NOTAS NOTES NOTA MITSCHRIFT NOTES |
|------|------|-------------|--|---|-------------|-----------------------------------|
| 01A | | 00H01109081 | TUBO LIQUIDO FRENO TRASERO TUBO LIQUIDO FRENO BRAKE ROD | BREMSSCHLAUCH TIGE DE FREIN | 1 2 3 4 5 6 | |
| 02A | | 00006309260 | RACORD TUBO HIDRAULICO RACCORDO TUBO IDRAULICO HYDRAULIC TUBE CONNECTOR | STUTZEN HIDRAULIKLEITUNG RACCORD TUYAU HYDRAULIQUE | 1 2 3 4 5 6 | |
| 03A | | 00006321040 | ARANDELA JUNTA RACORD RONDELLA WASHER | SCHEIBE RONDELLE | 1 2 3 4 5 6 | |
| 04A | | 00D01100201 | CTO. DPSTO. LIQUIDO FRENO TRASERO SERBATOIO LIQUIDO FR FLUID TUBE TANK | BEHALTER RESERVOIR FLUID TUBE | 1 2 3 4 5 6 | |
| 05A | | 00H01101731 | PROTECT.BOMBA PROTEZIONE FRENO POSTERIORE REAR BRAKE, PROTECTOR | ABDECKUNG PROTECTEUR ENS.COMMANDE FRE | 1 2 3 4 5 6 | |
| 06A | | 00G01503701 | TORNILLO VITE SCREW | SCHRAUBE VIS | 1 2 3 4 5 6 | |
| 07A | | 00H01001701 | CTO. INTERRUPTOR STOP COMP.INTERUTTORE FANALINO SWITCH, STOP LIGHT | STOPCHALTER VO. INTERRUPTEUR COMMANDE STOP | 1 2 3 4 5 6 | |
| 08A | | 00H01101211 | TUBO DPSTO. A BOMBA FRENO TRAS. TUBO SERBATOIO A POMPA FRENO P REAR FLUID TUBE | SCHLAUCH FLEXIBLE DE FREIN ARRIERE | 1 2 3 4 5 6 | |
| 09A | | 00H03700131 | ABRAZADERA ELASTICA RONDELLA STELLA INTERIORE ELASTIC CLAMP | SCHELLE ELAST. COLLIER ELASTIQUE | 1 2 3 4 5 6 | |
| 10A | | 00F00900531 | BRIDA FLANGIA UNIONE CAVI BLACK CABLE TIE | KABELBINDER COLLIER | 1 2 3 4 5 6 | |
| 11A | | 00011041300 | TORNILLO AUTORROS.4,8X13 VITE SCREW | SCHRAUBE VIS | 1 2 3 4 5 6 | |



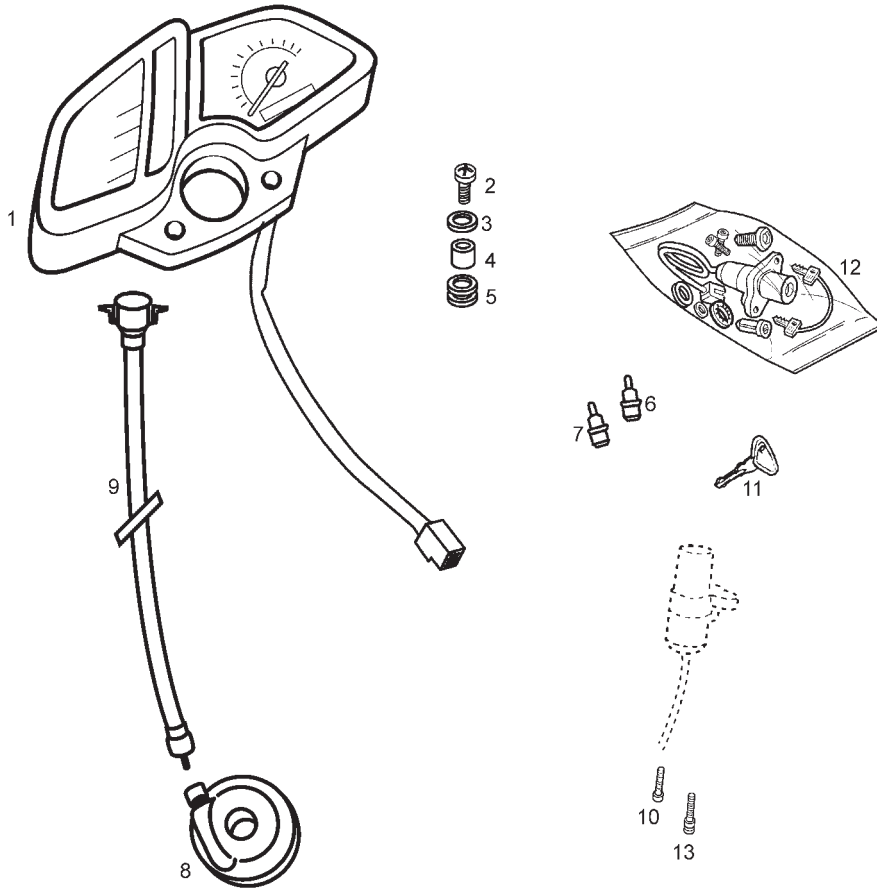
| Fig. | Ver. | COD. KOD. | DESCRIPCIÓN DENOMINAZIONE NAME | BEZEICHUNG DESIGNATION | MOD. | NOTAS NOTES NOTA MITSCHRIFT NOTES |
|------|------|-------------|---|--|-------------|-----------------------------------|
| 12A | | 00H01106181 | CTO BOMBA FRENO TRASERO FRENO POSTERIORE REAR BRAKE CONTROL ASSY | REAR BRAKE CONTROL ASSY. ENSEMBLE COMMANDE FREIN ARRIER | 1 2 3 4 5 6 | |
| 13A | | 864454 | BRIDA FLANGIA CLAMP | BEF.-SCHELLE ENTRETOISE | 1 2 3 4 5 6 | |
| 14A | | 00H01103611 | CTO.VARILLA BOMBA FRENO COMP.ASTA POMPA FRENO REAR BRAKE ROD | BREMSTANGE TIGE DE FREIN ARRIERE | 1 2 3 4 5 6 | |
| 15A | | 00H01102072 | MUELLE PEDAL FR. TRASERO MOLLA PEDALE FRENO POSTERIORE SPRING PEDAL BRAKE | FEDER RESSORT PEDALE FREIN | 1 2 3 4 5 6 | |
| 16A | | 00H01120021 | PALANCA FRENO PEDALE FRENO BRAKE PEDAL | FUSSBREMSHEBEL PEDALE DE FREIN AR. | 1 2 3 4 5 6 | |
| 17A | | 00H01100172 | TORNILLO FIJACION PALANCA VITE PEDALE FRENO BRAKE PEDAL BRAKE | INBUSSCHRAUBE FUSSBREMSHEBEL BOULON PEDALE DE FREIN | 1 2 3 4 5 6 | |
| 18A | | 00402080001 | ARANDELA D8 RONDELLA WASHER | SCHEIBE RONDELLE | 1 2 3 4 5 6 | |
| 19A | | 00005527540 | ARANDELA RONDELLA WASHER | SCHEIBE RONDELLE | 1 2 3 4 5 6 | |
| 20A | | 00023108000 | TUERCA AUTOBLOCANTE 8M125 DADO NUT | MUTTER ECROU | 1 2 3 4 5 6 | |
| 21A | | 00H01104583 | R-CTO PINZA FRENO TRASERA PINZA REAR CLIP ASSEMBLY | BREMSZANGE HINTEN ETRIER FREIN ARR. | 1 2 3 4 5 6 | |
| 22A | | 00H01301831 | MUELLE FIJACION MOLLA FISSAGGIO PASTIGLIA FREN REAR BRAKE PAD SECUR SPR. | FEDER RESSORT FIXATION PLAQUETTE | 1 2 3 4 5 6 | |



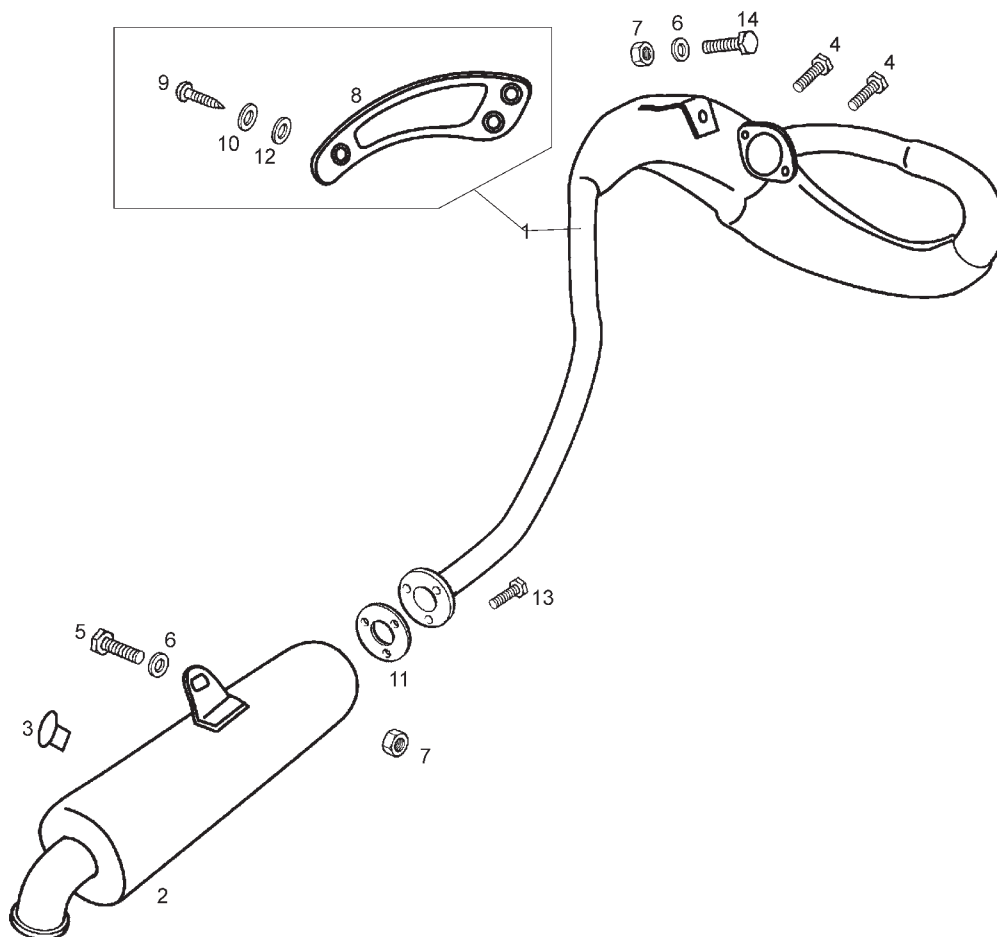
| Fig. | Ver. | COD. KOD. | DESCRIPCIÓN DENOMINAZIONE NAME | BEZEICHNUNG DESIGNATION | MOD. | NOTAS NOTES NOTA MITSCHRIFT NOTES |
|------|------|-------------|--|--|-------------|-----------------------------------|
| 23A | | 00G04700141 | JUEGO PASTILLAS DE FRENO CONG. PASTIGLIE FRENO SET OF BRAKE PADS | DIE GESAMTHEIT BREMSBACKEN ENS. PLAQUETTE DE FREIN | 1 2 3 4 5 6 | |
| 24A | | 00012151500 | TORNILLO C/RED.ALLEN.5M100X16 VITE SCREW | SCHRAUBE VIS | 1 2 3 4 5 6 | |
| 25A | | 00G04401462 | TUERCA FIJACION D5 DADO NUT | MUTTER ECROU | 1 2 3 4 5 6 | |
| 26A | | 00D02600631 | ARANDELA RONDELLA WASHER | SCHEIBE RONDELLE | 1 2 3 4 5 6 | |
| 27A | | 00F04700121 | R-CTO. PURGADOR PINZA FRENO R-SPURGO FRONT BRAKE BLEED CLIP ASSY | ABLASSHAHN R-ENS.PURGEUR PINCE FREIN A | 1 2 3 4 5 6 | |



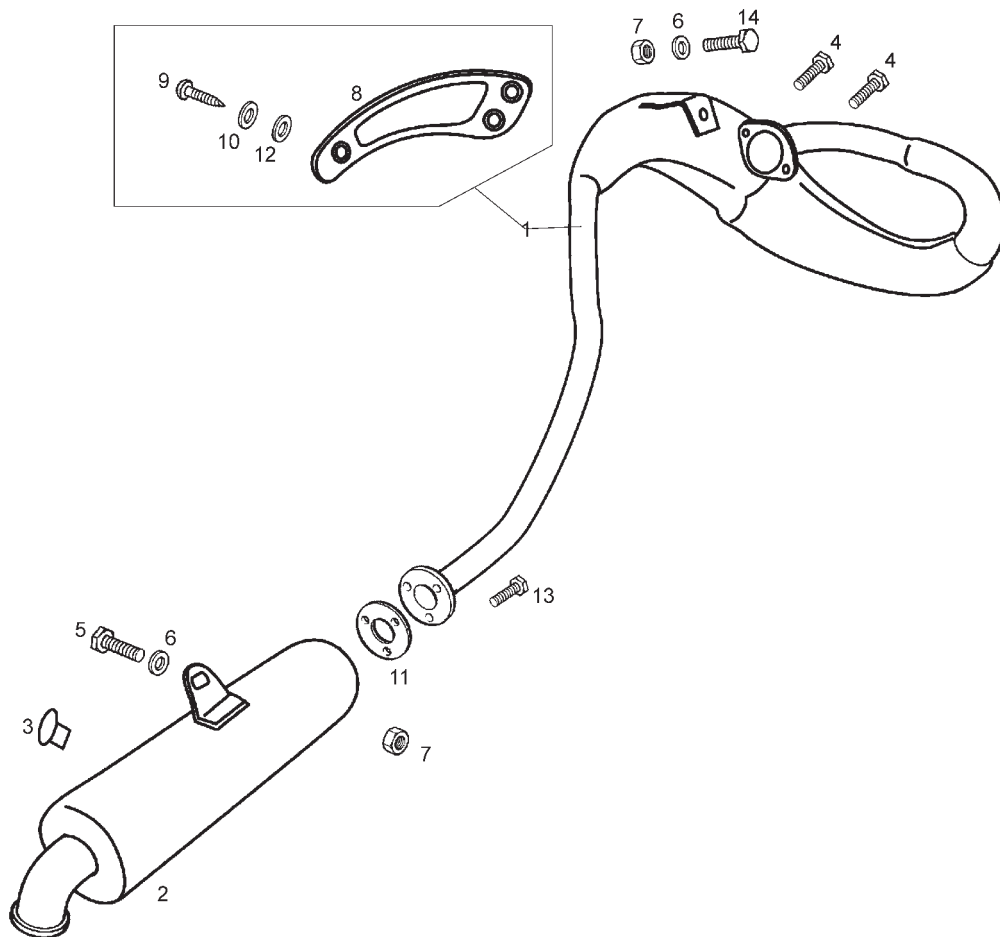
| Fig. | Ver. | COD. KOD. | DESCRIPCIÓN DENOMINAZIONE NAME | BEZEICHUNG DESIGNATION | MOD. | NOTAS NOTES NOTA MITSCHRIFT NOTES |
|------|------|-------------|--|--|-------------|-----------------------------------|
| 01A | | 864515 | CTO.TABLIER (KM/H) CRUSCOTTO (KM/H) DASH ASSY (KM/H) | INSTRUMENTERHALTER (KM/H) BOITIER TABLEAU BORD (KM/H) | | KILOMETERS PER HOUR |
| 01B | | 00H01628521 | CTO.TABLIER (MP/H) CRUSCOTTO (MILE/H) DASH ASSY (MILE/H) | INSTRUMENTERHALTER (MILE/H) BOITIER TABLEAU BORD (MILE/H) | | MILES PER HOUR |
| 02A | | 00012152000 | TORNILLO C/RED.CRUZ 5M80X20 VITE SCREW | SCHRAUBE VIS | 1 2 3 4 5 6 | |
| 03A | | 00D02600631 | ARANDELA RONDELLA WASHER | SCHEIBE RONDELLE | 1 2 3 4 5 6 | |
| 04A | | 00H01600911 | CASQUILLO GHIERA SILENT.FISS.CRUSCOT.FE BUSHING | FUHRUNGSBUCHSE GABELSCHENK ENTRETOISE | 1 2 3 4 5 6 | |
| 05A | | 00D01500021 | PASACABLES PORTACAVI IST. FARAFANGO POST. GROMMET | GUMMI CAOUTCHOUC PASSE-CABLE | 1 2 3 4 5 6 | |
| 06A | | 00G01602581 | R-CTO. PORTALAMP/LAMP. 12V 1,2 W PORTALAMPADE BULB HOLDER AND BULB | LAMPENHALTER R-PORTE-LAMPES | 1 2 3 4 5 6 | |
| 07A | | 00G01601581 | R-CTO. PORTALAMP/LAMP. 12V 2 W PORTALAMPADE BULB HOLDER AND BULB | LAMPENHALTER R-PORTE-LAMPES | 1 2 3 4 5 6 | |
| 08A | | 00G01606051 | CTO. REENVIO. RINVIO RETURN UNIT. | RETURN UNIT. RENOI DE ROUE | 1 2 3 4 5 6 | |
| 09A | | 00H01616021 | CTO. CABLE-FUNDA CUENTA KM CAVO-GUAINA CONTACHI CABLE, SPEEDOMETER DRIVE | TACHOWELLE ENSEMB.CABLE-GAINE COMPTEUR | 1 2 3 4 5 6 | |
| 10A | | 00002082021 | TORNILLO 8M125X20 VITE SCREW | SCHRAUBE VIS | 1 2 3 4 5 6 | |



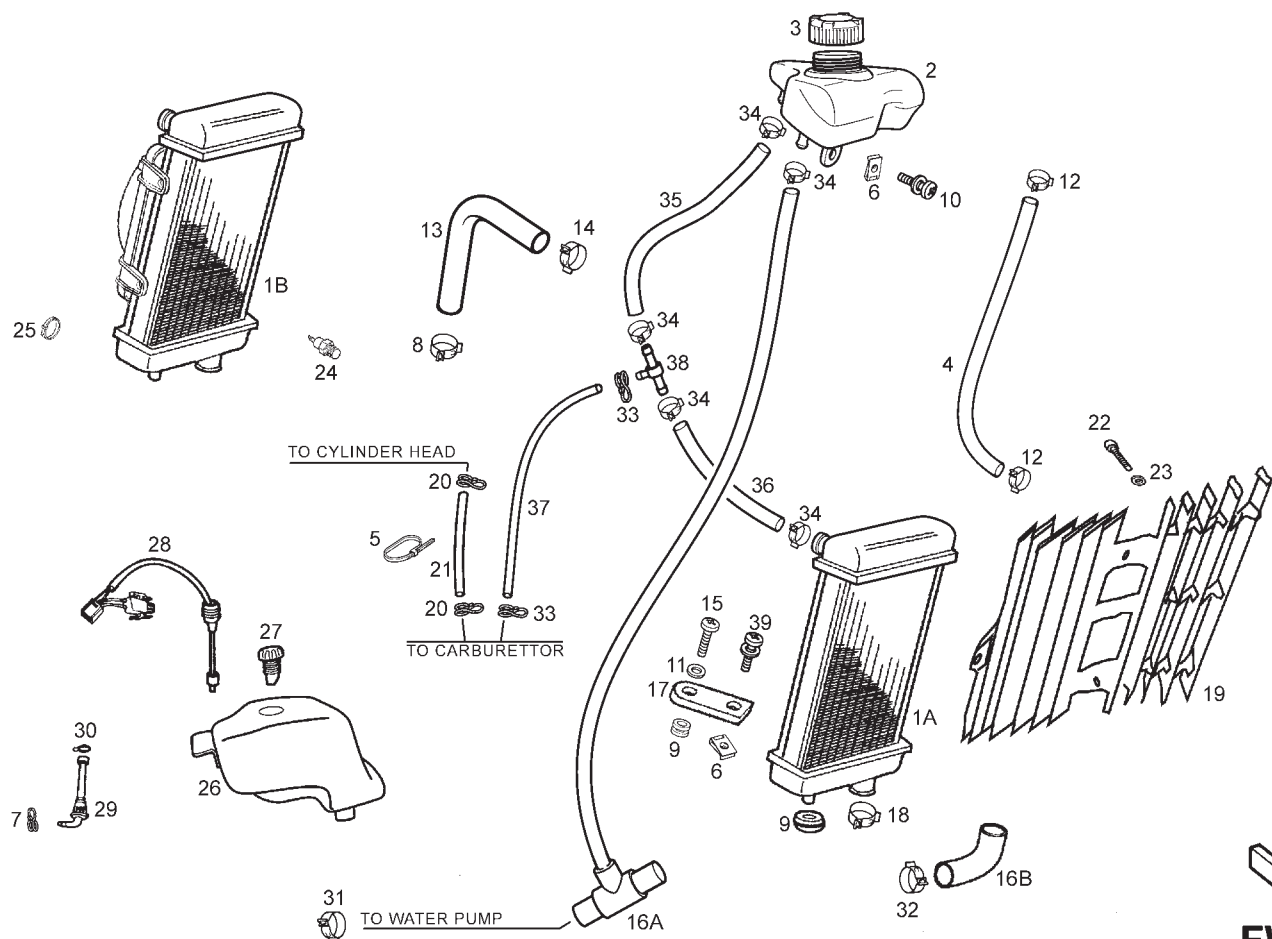
| Fig. | Ver. | COD. KOD. | DESCRIPCIÓN DENOMINAZIONE NAME | BEZEICHNUNG DESIGNATION | MOD. | NOTAS NOTES NOTA MITSCHRIFT NOTES |
|------|------|-------------|--|---|-------------|-----------------------------------|
| 11A | | 00H01801411 | LLAVE CONTACTO POR MECANIZAR CHIAVE LOCK KEYS | SCHLUSSEL CLEF | 1 2 3 4 5 6 | |
| 12A | | 00H05908251 | R-CTO. KIT CERRDADURAS SIN LEVAS SERRATURE SENZA LEVA LOCK WITH KEYS WITHOUT LEVER | SCHLOOS-SATZ OHNE VERSCHLUSSH. ENS. KIT SERRURES SANS LEVIER | 1 2 3 4 5 6 | |
| 13A | | 00H06300791 | TORNILLO ROMPIENTE VITE SCREW | SCHRAUBE VIS | 1 2 3 4 5 6 | |



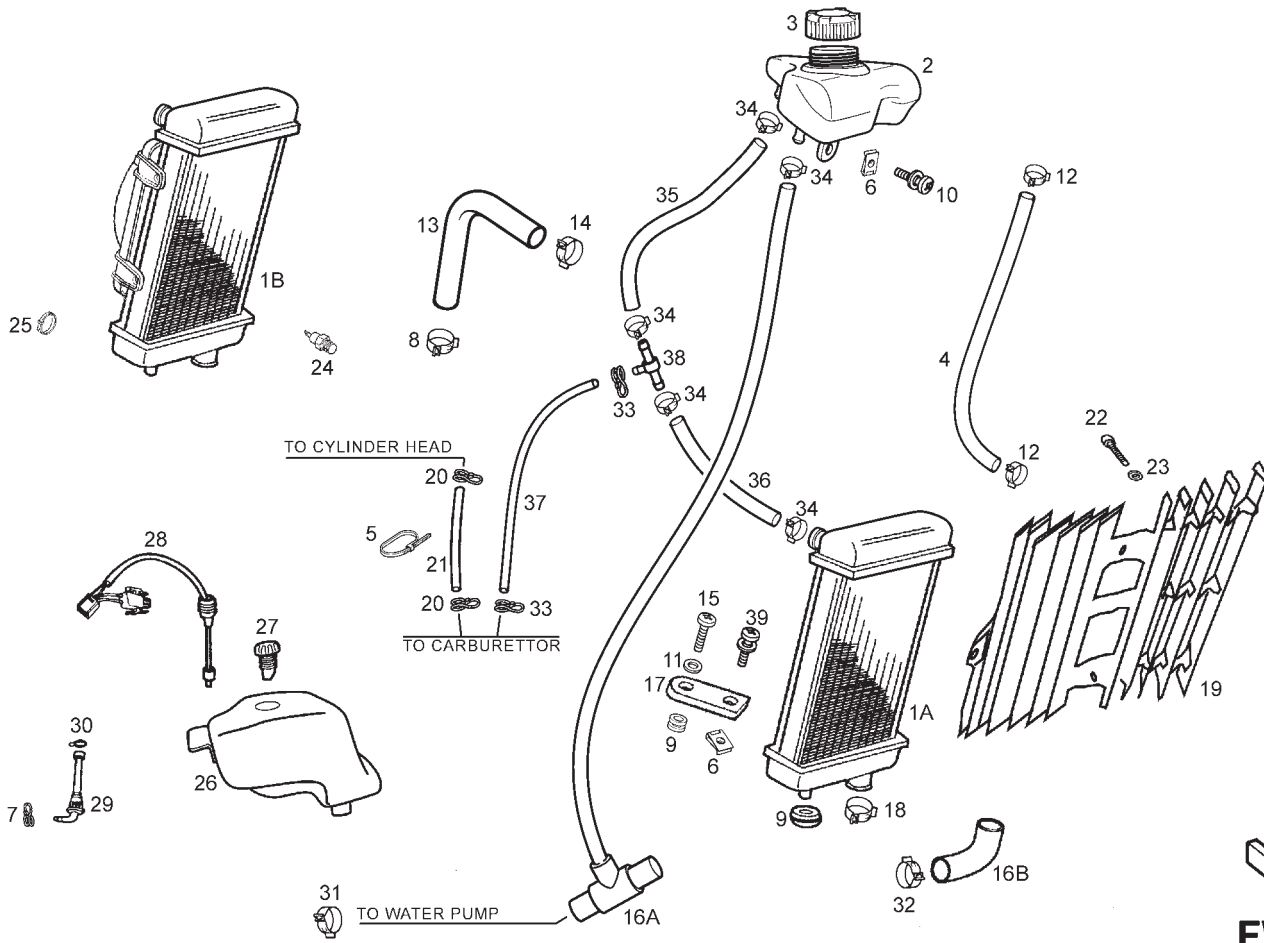
| Fig. | Ver. | COD. KOD. | DESCRIPCIÓN DENOMINAZIONE NAME | BEZEICHUNG DESIGNATION | MOD. | NOTAS NOTES NOTA MITSCHRIFT NOTES |
|------|------|-------------|--|---|--------|-----------------------------------|
| 01A | | 862964 | TUBO ESCAPE SUBCOMP.TUBO SCAPP-SIL. EXHAUST PIPE AND MUFFLER | AUSPUFF ENSEMBLE TUBE DIECHAPPEMENT | 12 45 | |
| 01B | | 00H03446081 | SCTO TUBO ESCAPE SENDA R E2 SUBCOMP.TUBO SCAPP-SIL. EXHAUST PIPE AND MUFFLER | AUSPUFF ENSEMBLE TUBE DIECHAPPEMENT | 3 6 | |
| 02A | 01 | 00H03429412 | SCTO SORDINA SUBCOMP.SORD. EXHAUST TANK | SCHALLDAMPFER SILENCIEUX DIECHAPPEMENT | 123456 | |
| 02A | | 86125R | SCTO SORDINA SUBCOMP.SORD. EXHAUST TANK | SCHALLDAMPFER SILENCIEUX DIECHAPPEMENT | 123456 | |
| 03A | | 00G01500951 | TOPE GOMA APPOGGIO ZAMPA CAVALLETO SIDE STAND REST | GUMMISTOPPEL APPUI BEQUILLE LATERALE | 123456 | |
| 04A | | 00002062011 | TORNILLO C/ALLEN.6M100X20 VITE SCREW | SCHRAUBE VIS | 123456 | |
| 05A | | 00012082001 | TORNILLO 8M125X20 VITE SCREW | SCHRAUBE VIS | 123456 | |
| 06A | | 00402080001 | ARANDELA D8 RONDELLA WASHER | SCHEIBE RONDELLE | 123456 | |
| 07A | | 00023108000 | TUERCA AUTOBLOCANTE 8M125 DADO NUT | MUTTER ECROU | 123456 | |
| 08A | | 00H01800402 | PROTECTOR SILENCIADOR PROTEZIONE SILENZIATORE SILENCER SHIELD | SCHALLDAEMPFFERSCHUTZ PROTECT.SIL. | 123456 | |
| 09A | | 00000012415 | TORNILLO VITE SCREW | SCHRAUBE VIS | 123456 | |



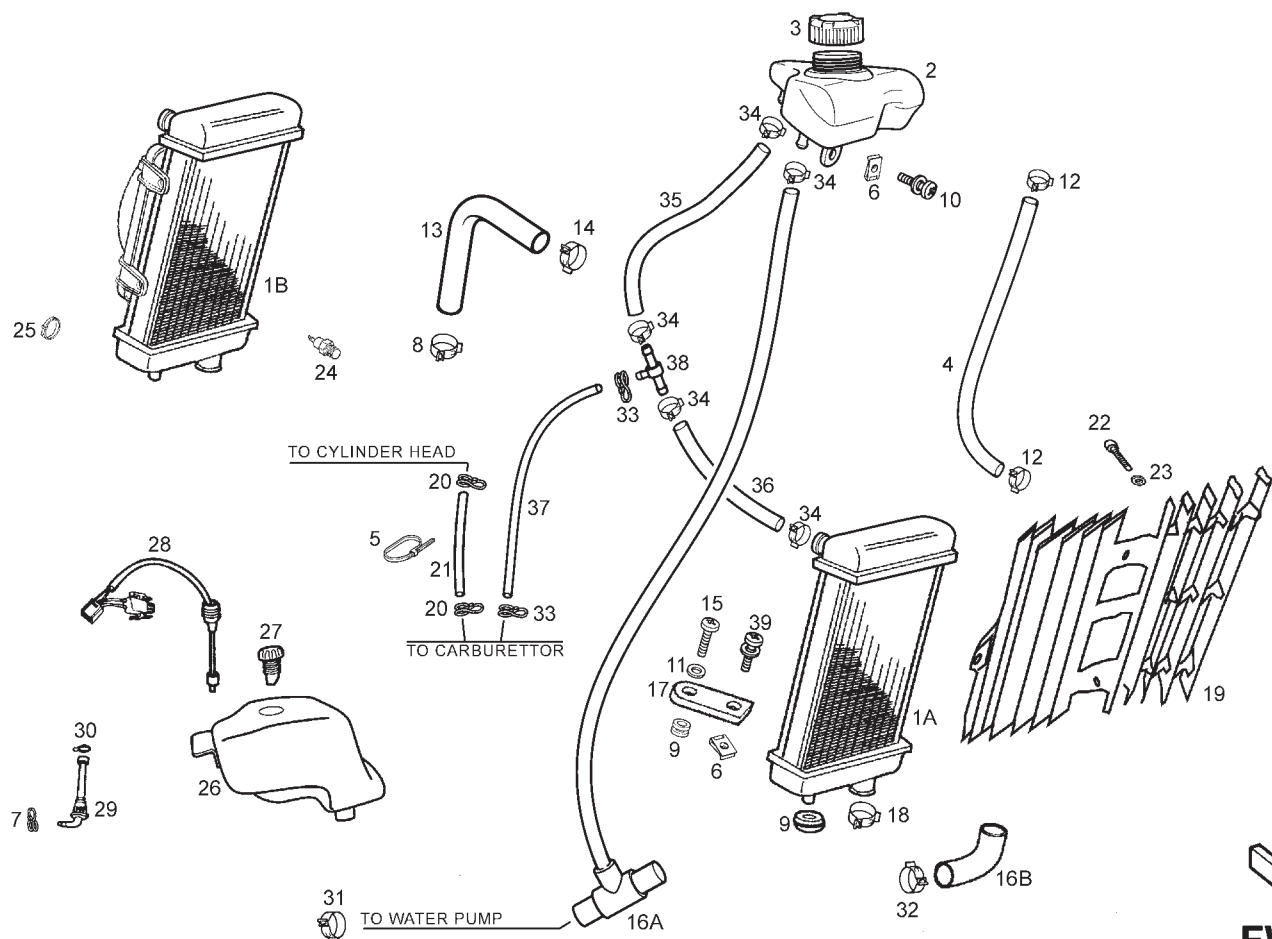
| Fig. | Ver. | COD. KOD. | DESCRIPCIÓN DENOMINAZIONE NAME | BEZEICHNUNG DESIGNATION | MOD. | NOTAS NOTES NOTA MITSCHRIFT NOTES |
|------|------|-------------|--|-------------------------------------|-------------|-----------------------------------|
| 10A | | 00F04201361 | REMACHE RIBADITURA RIVET | RIVET RIVET | 1 2 3 4 5 6 | |
| 11A | | 00H03404321 | JUNTA GUARNIZIONE GASKET | DICHTUNG JOINT | 1 2 3 4 5 6 | |
| 12A | | 00D02600631 | ARANDELA RONDELLA FERMO MOLLA FRIZIONE CLUTCH SPRING STOP WASHER | SCHEIBE ROND.BUTEE RESSORT EMBRAYA. | 1 2 3 4 5 6 | |
| 13A | | 00D05910081 | TORNILLO VITE SCREW | SCHRAUBE VIS | 1 2 3 4 5 6 | |
| 14A | | 00012082001 | TORNILLO 8M125X20 VITE SCREW | SCHRAUBE VIS | 1 2 3 4 5 6 | |



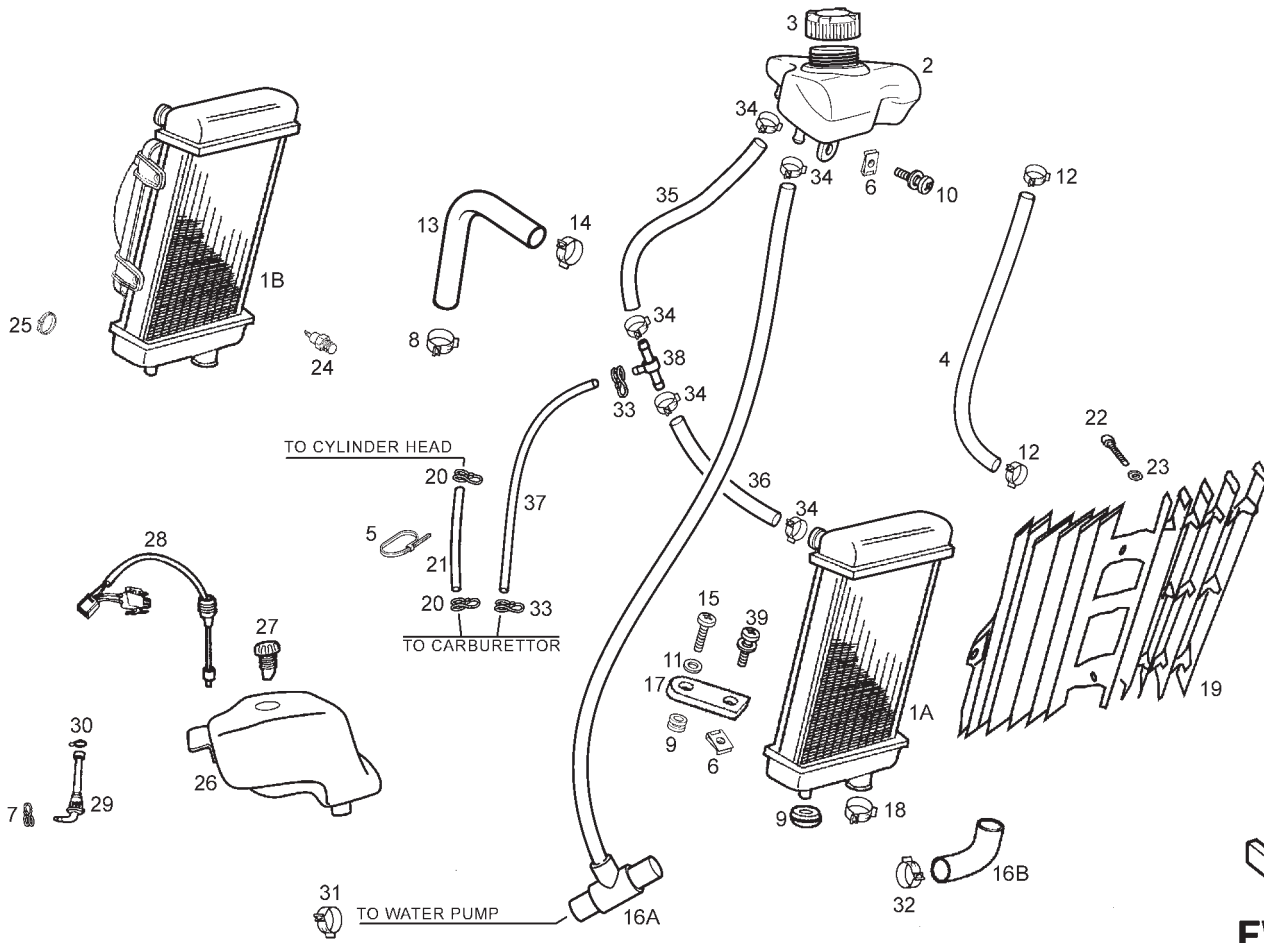
| Fig. | Ver. | COD. KOD. | DESCRIPCIÓN DENOMINAZIONE NAME | BEZEICHNUNG DESIGNATION | MOD. | NOTAS NOTES NOTA MITSCHRIFT NOTES |
|------|------|--------------|--|--|--------|-----------------------------------|
| 01A | | 00H03805011 | SCTO. RADIADOR SUBRADIATORE RADIATOR ASSY. | RADIATOR ASSY. RADIATEUR | 1 4 | |
| 01B | | 00H03802541 | CTO. RADIADOR CON ELECTROVENT. SUBRADIATORE RADIATOR ASSY. | RADIATOR ASSY. RADIATEUR | 23 56 | |
| 02A | | 00H03810501 | DEPOSITO AGUA RADIADOR SERBATOIO ACQUA RADIATORE WATER TANK | WASSERBEHALTER VASE DI EXPANSION | 12 45 | |
| 02B | | 00H03802501 | DEPOSITO AGUA RADIADOR SERBATOIO ACQUA RADIATORE WATER TANK | WASSERBEHALTER VASE DI EXPANSION | 3 6 | ONLY SCANDINAVIA |
| 03A | | 00H03802472 | CTO.TAPON DEPOSITO AGUA TAPPO RADIATORE/SERBATOIO WATER RESERVOIR/RAD CAP ASSY | KUEHLERDECKEL BOUCHON DE RESERVOIR D,EAU | 123456 | |
| 04A | | 00G03801561A | TUBO DEPOSITO-RADIADOR TUBO TUBE | SCHLAUCH TUYAU | 3 6 | ONLY SCANDINAVIA |
| 05A | | 00D00900531 | BRIDA 200 X 3,6 FLANGIA UNIONE CAVI BLACK CABLE TIE | KABELBINDER COLLIER | 12 45 | |
| 06A | | 00D01501371 | TUERCA FIJ. D6 DADO NUT | MUTTER ECROU | 123456 | |
| 07A | | 00F03710131 | ABRAZADERA ELASTICA FASCETTA CLAMP | FLANGE BRIDE | 123456 | |
| 08A | | 00H03802751 | ABRAZADERA 24/8W4 FASCETTA CLAMP | BEF. SCHELLE COLLIER | 123456 | |
| 09A | | 00008915020 | PROTECCION CABLES PROTEZIONE CAVI RUBBER,CABLE PROTECTOR | GUMMI PASSE-CABLE | 123456 | |



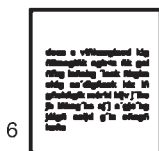
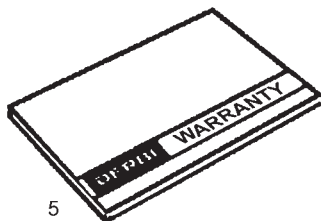
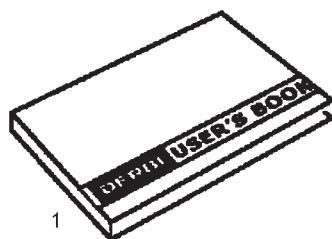
| Fig. | Ver. | COD. KOD. | DESCRIPCIÓN DENOMINAZIONE NAME | BEZEICHUNG DESIGNATION | MOD. | NOTAS NOTES NOTA MITSCHRIFT NOTES |
|------|------|-------------|---|--|-------------|-----------------------------------|
| 10A | | 00H05900021 | SCTO TORNILLO 6M100X16 VITE SCREW | SCHRAUBE VIS | 1 2 3 4 5 6 | |
| 11A | | 00D01500552 | CAZOLETA SCADELLINO FISSAGGIO HOUSING EXHAUST PIPE SUPPORT | ABDECKSCHEIBE CUVETTE | 1 2 3 4 5 6 | |
| 12A | | 00G03801701 | ABRAZADERA FASCETTA FISSAGGIO MANICA RADI CLAMP FASTERING RADIATOR BUSHI | OIL TANK FLANGE TUBE BRIDE TUBE RESPIRATION RÏSERVO | 3 6 | ONLY SCANDINAVIA |
| 13A | 01 | 00H03808021 | TUBO CULATA-RADIADOR TUBO TESTATA-RACCORDO TERMOCON CYLINDER HEAD PIPE-TERMOCONTAC | WASSERSCHLAUCH TUBE | 1 2 3 4 5 6 | |
| 13A | | 86138R | TUBO CULATA-RADIADOR TUBO TESTATA-RACCORDO TERMOCON CYLINDER HEAD PIPE-TERMOCONTAC | WASSERSCHLAUCH TUBE | 1 2 3 4 5 6 | |
| 14A | | 00H03801751 | ABRAZADERA 21/8W4 FLANGIA FISSAGGIO SECURING CLAMP | BEF.-SHELLE COLLIER | 1 2 3 4 5 6 | |
| 15A | | 00000004612 | TORNILLO C/ALLEN 6M100X12 VITE SCREW | SCHRAUBE VIS | 1 2 3 4 5 6 | |
| 16A | | 862493 | TUBO RADIADOR A BOMBA/DEPOSITO TUBO REFRIGERAZIONE POMPA-RADI RADIATOR PUMP RUBBER TUBE | KUHLMITTELSCHLAUCH PUMPE K TUBE POMPE-RADIATEUR | 1 2 4 5 | |
| 16B | | 00H03802031 | TUBO BOMBA-RADIADOR TUBO REFRIGERAZIONE POMPA-RADI RADIATOR PUMP RUBBER TUBE | KUHLMITTELSCHLAUCH PUMPE K TUBE POMPE-RADIATEUR | 3 6 | ONLY SCANDINAVIA |
| 17A | | 00G02200692 | OREJA SUP.SOPORTE RADIADOR PIASTRA SUPPORTO SUPERIORE UPPER RADIATOR SUPPORT | OESE KUEHLERBLOCK OERILLE SUPERIEURE SUPPORT RAD | 1 2 3 4 5 6 | |
| 18A | | 00H03801751 | ABRAZADERA 21/8 W4 FASCETTA CLAMP | FLANGE BRIDE | 1 2 3 4 5 6 | |



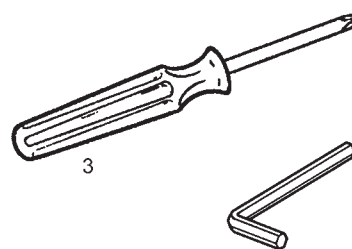
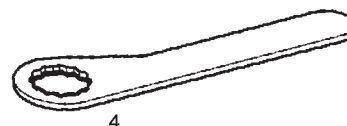
| Fig. | Ver. | COD. KOD. | DESCRIPCIÓN DENOMINAZIONE NAME | BEZEICHUNG DESIGNATION | MOD. | NOTAS NOTES NOTA MITSCHRIFT NOTES |
|------|------|-------------|---|--|-------------|-----------------------------------|
| 19A | | 00H03805301 | REJILLA RADIADOR GRIGLIA RADIATORE RADIATOR GRID | RADIATOR RADIATEUR | 1 2 3 4 5 6 | |
| 20A | | 00H00400501 | ABRAZADERA ELASTICA 7,8-8,3 TUBO TUBE | SCHLAUCH TUYAU | 1 2 4 5 | |
| 21A | | 00H03801961 | TUBO CARBURADOR A RACORD CULATA FASCETTA CLAMP | FLANGE BRIDE | 1 2 4 5 | |
| 22A | | 00011141300 | TORNILLO AUT.C/CR.NG.4,8X13 VITE SCREW | SCHRAUBE VIS | 1 2 3 4 5 6 | |
| 23A | | 00D02600631 | ARANDELA RONDELLA WASHER | SCHEIBE RONDELLE | 1 2 3 4 5 6 | |
| 24A | | 00G03800741 | TERMOCONTACTO ELECTROVENTILADOR TERMOCONTATTO ELETTROVENTOLA THERMOCONTACT ELECTROVENTILATO | THEMPERATURFUHLER THERMOCONTACTEUR | 2 3 5 6 | |
| 25A | | 00D00900531 | BRIDA FLANGIA UNIONE CAVI BLACK CABLE TIE | KABELBINDER COLLIER | 2 3 5 6 | |
| 26A | | 00H03704081 | SCTO.DEPOSITO ACEITE SUBSERBATOIO OLIO SE OIL, TANK | OILTANK RESERVOIR D,HUILE | 1 2 3 4 5 6 | |
| 27A | | 00F03710241 | CTO.TAPON DEPOSITO ACEITE TAPPO SERBATOIO OLIO OIL RESERVOIR FILLER PLUG ASSY | STOPFEN OELTANK ENS. BOUCHON RESERV.HUILE S | 1 2 3 4 5 6 | |
| 28A | | 864490 | CTO NIVEL ACEITE TAPPO SERBATOIO OLIO OIL RESERVOIR FILLER PLUG ASSY | OLSTANDSGEBER NIVEAU D#HUILE | 1 2 3 4 5 6 | |
| 29A | | 00H03701411 | CTO.FILTRO ACEITE. FILTRO OLIO BY-PAS OIL FILTER | FILTER FILTRE A HUILLE | 1 2 3 4 5 6 | |



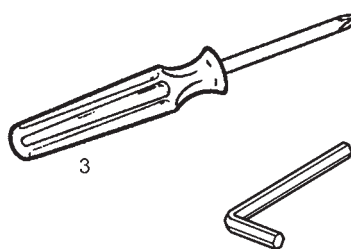
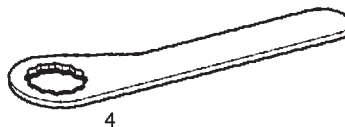
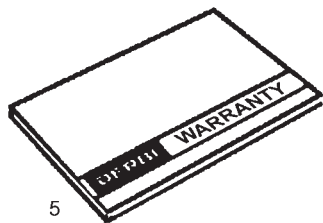
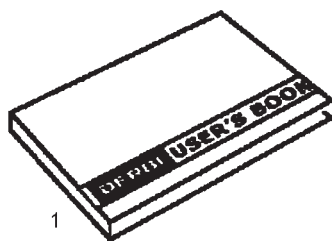
| Fig. | Ver. | COD. KOD. | DESCRIPCIÓN DENOMINAZIONE NAME | BEZEICHNUNG DESIGNATION | MOD. | NOTAS NOTES NOTA MITSCHRIFT NOTES |
|------|------|-------------|---|-------------------------|-------------|-----------------------------------|
| 30A | | 00G00400501 | ABRAZADERA FIJ. GRIFO FASCETTA ELASTICA CLAMP | BEF.-SCHELLE ENTRETOISE | 1 2 3 4 5 6 | |
| 31A | | 00H03801751 | ABRAZADERA 21/8 W4 FASCETTA CLAMP | FLANGE BRIDE | 12 4 5 | |
| 32A | | 00H03802091 | ABRAZADERA 23/8 W4 FASCETTA CLAMP | FLANGE BRIDE | 3 6 | ONLY SCANDINAVIA |
| 33A | | 00H00400501 | ABRAZADERA ELASTICA FASCETTA CLAMP | FLANGE BRIDE | 12 4 5 | |
| 34A | | 00G03801701 | ABRAZADERA 13/8 W4 FASCETTA CLAMP | FLANGE BRIDE | 12 4 5 | |
| 35A | | 862542 | TUBO DEPOSITO A RACORD TUBO TUBE | SCHLAUCH TUYAU | 12 4 5 | |
| 36A | | 862544 | TUBO RACORD A RADIADOR TUBO TUBE | SCHLAUCH TUYAU | 12 4 5 | |
| 37A | | 862543 | TUBO RACORD A CARBURADOR TUBO TUBE | SCHLAUCH TUYAU | 12 4 5 | |
| 38A | | 862541 | RACORD "T" RACCORDO RACORD | RACORD RACCORD | 12 4 5 | |
| 39A | | 00002061011 | TORNILLO 6M100X10 VITE SCREW | SCHRAUBE VIS | 1 2 3 4 5 6 | |



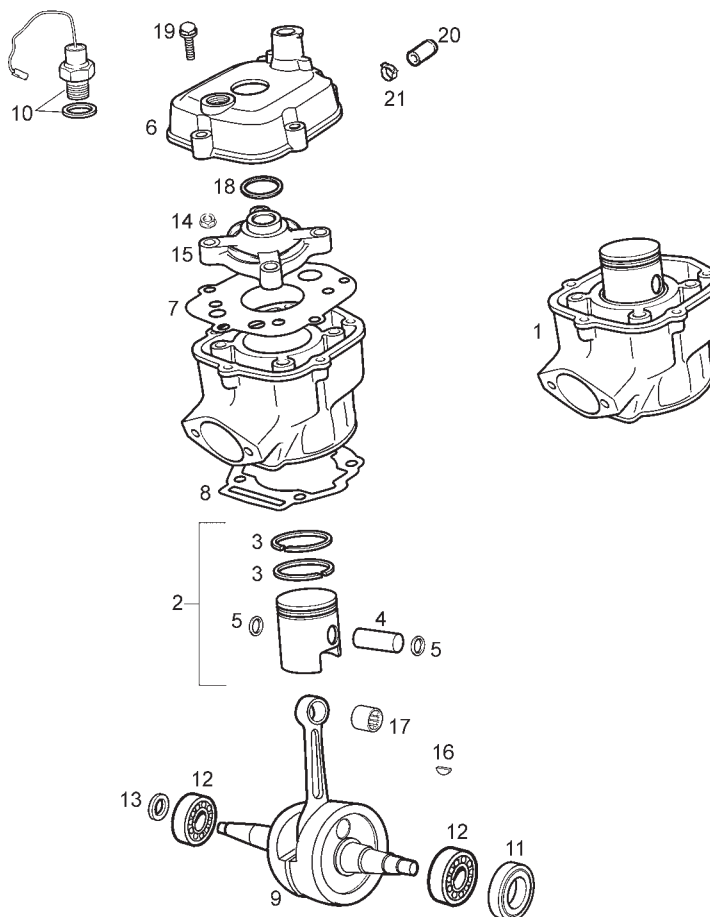
2



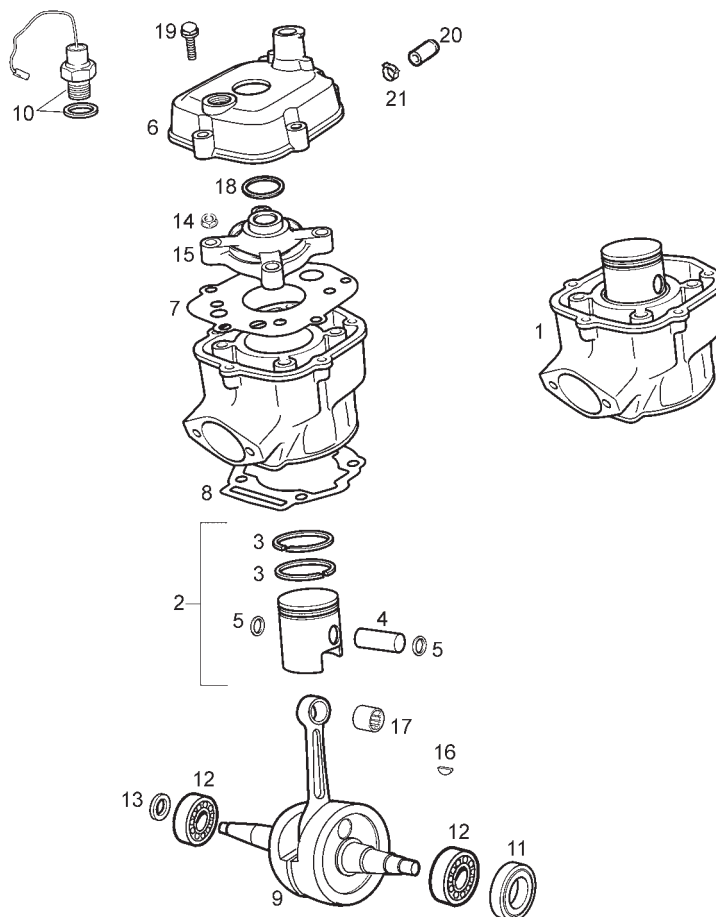
| Fig. | Ver. | COD. KOD. | DESCRIPCIÓN DENOMINAZIONE NAME | BEZEICHUNG DESIGNATION | MOD. | NOTAS NOTES NOTA MITSCHRIFT NOTES |
|------|------|-------------|---|---|--------|-----------------------------------|
| 01A | | 00H05160121 | MANUAL INSTRUCCIONES LIBRETTI DI ISTRUZIONI USER'S BOOK | BEDIENUNGSANLEITUNG MANUEL D'INSTRUCTIONS | 12 45 | EXCEPT DENMARK |
| 01B | | 861781 | MANUAL INSTRUCCIONES DENMARK LIBRETTI DI ISTRUZIONI USER'S BOOK | BEDIENUNGSANLEITUNG MANUEL D'INSTRUCTIONS | 2 5 | ONLY DENMARK |
| 01C | | 861781 | MANUAL INSTRUCCIONES LIBRETTI DI ISTRUZIONI USER'S BOOK | BEDIENUNGSANLEITUNG MANUEL D'INSTRUCTIONS | 3 6 | |
| 02A | | 00H05101561 | CTO.BOLSA HERRTAS. SACCO FERRI TOOL POUCH | WERKZEUGTASCHE TROUSSE A OUTILS | 123456 | |
| 03A | | 00005551290 | DESTORNILLADOR. CACCIAVITE SCREW DRIVER | SCHRAUBENZIEHER TOURNEVIS | 123456 | |
| 04A | | 00H05101011 | SCTO.LLAVE BUJIA SUBCHIAVE CANDELA SE SPARK PLUG | ZUND KERZENSCHLUSSEL CLE A BOUGIE | 123456 | |
| 05A | | 865004 | MANUAL DE GARANTIA LIBRETTO DA GARANZIA BOOK OF WARRANTY | BUCH DER GARANTIE LIVRE DE GARANTIE | 1 4 | EXCEPT FRANCE |
| 06A | | 00H01855111 | PLACA CARACTERISTICAS SDA R X-TREM ADESIVO MANUFACTURE DECAL | SCHRIFTZUG ADHESIF | 12 45 | EXCEPT DENMARK |
| 06B | | 863611 | PLACA CARACTERISTICAS DENMARK ADESIVO MANUFACTURE DECAL | SCHRIFTZUG ADHESIF | 2 5 | ONLY DENMARK |
| 06C | | 00H01856111 | PLACA CARACTERISTICAS SCANDINAVIA ADESIVO MANUFACTURE DECAL | SCHRIFTZUG ADHESIF | 3 6 | |
| 06D | | 00H06365731 | CALCA ANTIMANIPULACION ADESIVO ANTIHANDLING DECAL | SCHRIFTZUG ADHESIF | 12 45 | EXCEPT DENMARK |



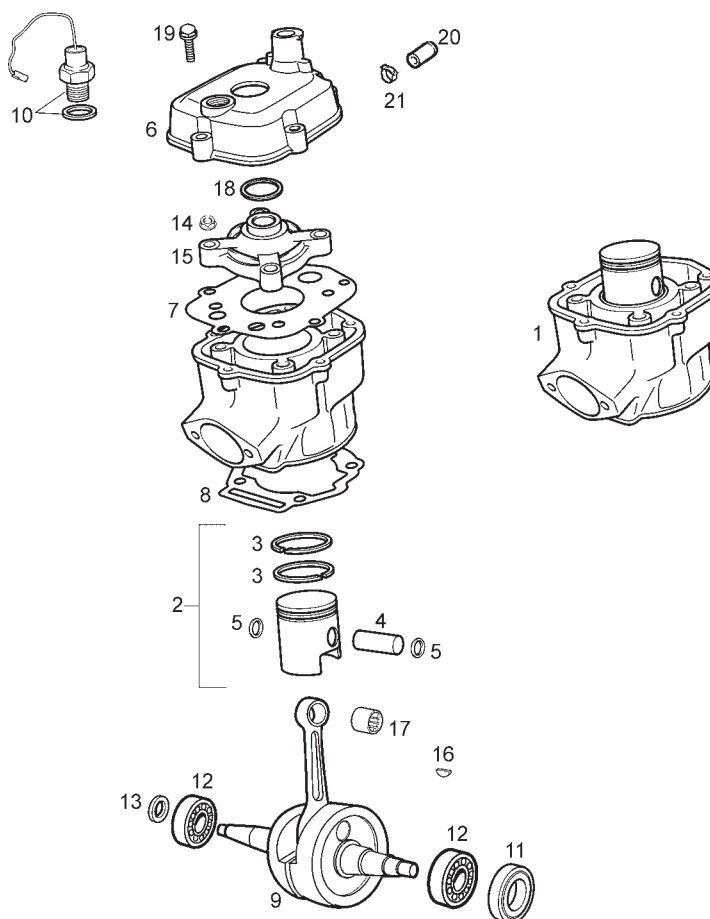
| Fig. | Ver. | COD. KOD. | DESCRIPCIÓN DENOMINAZIONE NAME | BEZEICHNUNG DESIGNATION | MOD. | NOTAS NOTES MITSCHRIFT NOTES |
|------|------|-------------|---|-------------------------|-------------|------------------------------|
| 06E | | 863610 | CALCA ANTIMANIPULACION ADESIVO ANTIHANDLING DECAL | SCHRIFTZUG ADHESIF | 2 5 | ONLY DENMARK |
| 06F | | 00H06366731 | CALCA ANTIMANIPULACION ADESIVO ANTIHANDLING DECAL | SCHRIFTZUG ADHESIF | 3 6 | |
| 06G | | 00H04640141 | CALCA PRESION NEUMATICA ADESIVO PNEUMATIC DECAL | SCHRIFTZUG ADHESIF | 1 2 3 4 5 6 | |



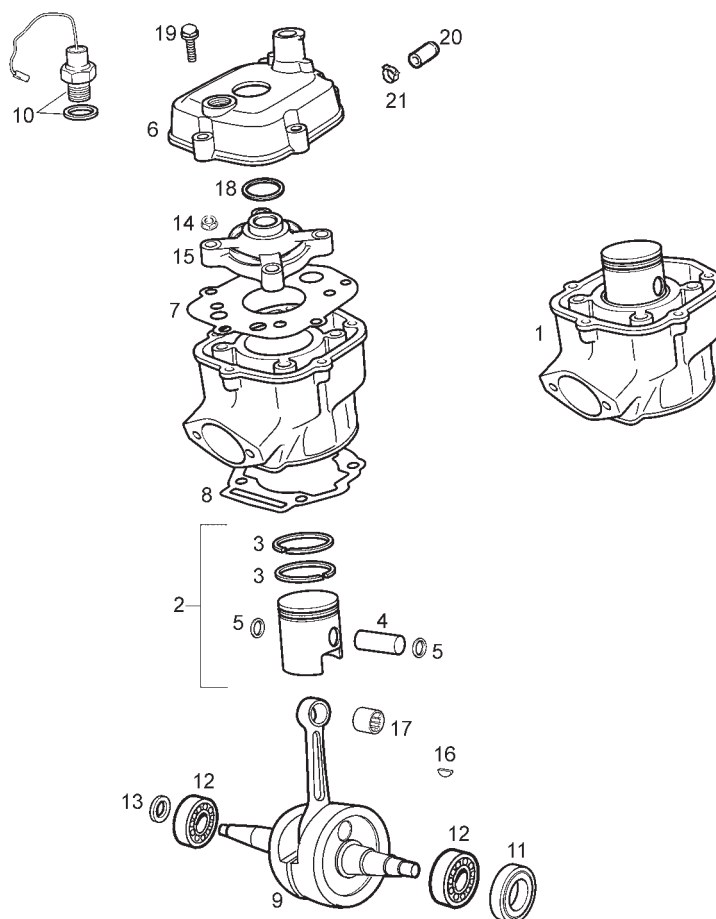
| Fig. | Ver. | COD. KOD. | DESCRIPCIÓN DENOMINAZIONE NAME | BEZEICHUNG DESIGNATION | MOD. | NOTAS NOTES NOTA MITSCHRIFT NOTES |
|------|------|------------|---|---|-------------|-----------------------------------|
| 01A | | 847508 | CTO CILINDRO-PISTON (ALUMINIO) COMP.CILINDRO PISTONE CYLINDER PISTON ASSEMBLY | ZYLINDER UND KOLBEN CYLINDRE ET PISTON COMPLET | 1 2 3 4 5 6 | UNTIL FRAME 8H417908 |
| 01B | | 8772085 | CTO CILINDRO-PISTON (HIERRO) COMP.CILINDRO PISTONE CYLINDER PISTON ASSEMBLY | ZYLINDER UND KOLBEN CYLINDRE ET PISTON COMPLET | 1 2 3 4 5 6 | BETWEEN 8H417909 9H434746 |
| 01C | | 877719 | CTO CILINDRO-PISTON (HIERRO) COMP.CILINDRO PISTONE CYLINDER PISTON ASSEMBLY | ZYLINDER UND KOLBEN CYLINDRE ET PISTON COMPLET | 1 2 3 4 5 6 | SINCE FRAME 9H434747 |
| 02A | | 8472625001 | CTO PISTON (A) - v/ALUMINIO PISTONE (A) PISTON (A) | KOLBEN KOMPL.(A) PISTON-COMPLET (A) | 1 2 3 4 5 6 | UNTIL FRAME 8H417908 |
| 02B | | 8472625002 | CTO PISTON (B) - v/ALUMINIO PISTONE (B) PISTON (B) | KOLBEN KOMPL. (B) PISTON-COMPLET (B) | 1 2 3 4 5 6 | UNTIL FRAME 8H417908 |
| 02C | | 8472625003 | CTO PISTON (C) - v/ALUMINIO PISTONE (C) PISTON (C) | KOLBEN KOMPL. (C) PISTON-COMPLET (C) | 1 2 3 4 5 6 | UNTIL FRAME 8H417908 |
| 02D | | 8472625004 | CTO PISTON (D) - v/ALUMINIO PISTONE (D) PISTON (D) | KOLBEN KOMPL. (D) PISTON-COMPLET (D) | 1 2 3 4 5 6 | UNTIL FRAME 8H417908 |
| 02E | | 8744440001 | CTO PISTON (A) - v/HIERRO PISTONE (A) PISTON (A) | KOLBEN KOMPL.(A) PISTON-COMPLET (A) | 1 2 3 4 5 6 | BETWEEN 8H417909 9H434746 |
| 02F | | 8744440002 | CTO PISTON (B) - v/HIERRO PISTONE (B) PISTON (B) | KOLBEN KOMPL. (B) PISTON-COMPLET (B) | 1 2 3 4 5 6 | BETWEEN 8H417909 9H434746 |
| 02G | | 8744440003 | CTO PISTON (C) - v/HIERRO PISTONE (C) PISTON (C) | KOLBEN KOMPL. (C) PISTON-COMPLET (C) | 1 2 3 4 5 6 | BETWEEN 8H417909 9H434746 |
| 02H | | 8744440004 | CTO PISTON (D) - v/HIERRO PISTONE (D) PISTON (D) | KOLBEN KOMPL. (D) PISTON-COMPLET (D) | 1 2 3 4 5 6 | BETWEEN 8H417909 9H434746 |



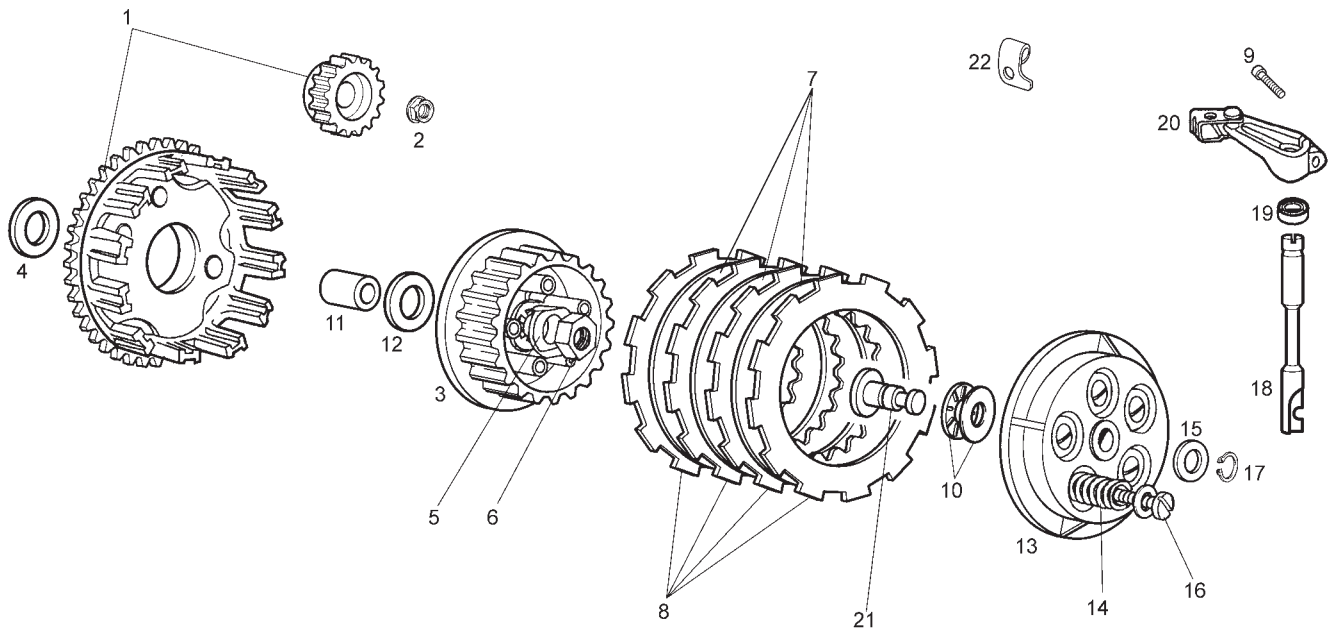
| Fig. | Ver. | COD. KOD. | DESCRIPCIÓN DENOMINAZIONE NAME | BEZEICHNUNG DESIGNATION | MOD. | NOTAS NOTES NOTA MITSCHRIFT NOTES |
|------|------|------------|--|--|-------------|-----------------------------------|
| 02I | | 8770700001 | CTO PISTON (A) - v/HIERRO PISTONE (A) PISTON (A) | KOLBEN KOMPL. (A) PISTON-COMPLET (A) | 1 2 3 4 5 6 | SINCE FRAME 9H434747 |
| 02J | | 8770700002 | CTO PISTON (B) - v/HIERRO PISTONE (B) PISTON (B) | KOLBEN KOMPL. (B) PISTON-COMPLET (B) | 1 2 3 4 5 6 | SINCE FRAME 9H434747 |
| 02K | | 8770700003 | CTO PISTON (C) - v/HIERRO PISTONE (C) PISTON (C) | KOLBEN KOMPL. (C) PISTON-COMPLET (C) | 1 2 3 4 5 6 | SINCE FRAME 9H434747 |
| 02L | | 8770700004 | CTO PISTON (D) - v/HIERRO PISTONE (D) PISTON (D) | KOLBEN KOMPL. (D) PISTON-COMPLET (D) | 1 2 3 4 5 6 | SINCE FRAME 9H434747 |
| 03A | | 847006 | ARO PISTON R-SEGMENTO PISTONE PISTON RING | KOLBENDICHTRING SEGMENT DE PISTON | 1 2 3 4 5 6 | UNTIL FRAME 9H434746 |
| 03B | | 877072 | ARO PISTON R-SEGMENTO PISTONE PISTON RING | KOLBENDICHTRING SEGMENT DE PISTON | 1 2 3 4 5 6 | SINCE FRAME 9H434747 |
| 04A | | 847012 | BULON PISTON SPINOTTO PISTONE PISTON PIN | KOLBENBOLZEN AXE PISTON | 1 2 3 4 5 6 | |
| 05A | | 847178 | ANILLO BULON R-SEGMENTO SPINOTTO CIRCLIP, PISTON PIN | SICHERUNGSRING CLIPS AXE PISTON | 1 2 3 4 5 6 | UNTIL FRAME 9H434746 |
| 05B | | 878519 | ANILLO BULON R-SEGMENTO SPINOTTO CIRCLIP, PISTON PIN | SICHERUNGSRING CLIPS AXE PISTON | 1 2 3 4 5 6 | SINCE FRAME 9H434747 |
| 06A | | CM151902 | TAPA CULATIN COPERCHIO TESTA CYLINDER HEAD COVER | ZYLINDERKOPF DECKEL COUVERCLE CULASSE | 1 2 3 4 5 6 | |
| 07A | | 847009 | JUNTA CULATA CILINDRO GUARNIZIONE TESTA GASKET CYLINDER HEAD | ZYLINDERKOPFDICHTUNG JOINT DE CULASSE | 1 2 3 4 5 6 | |



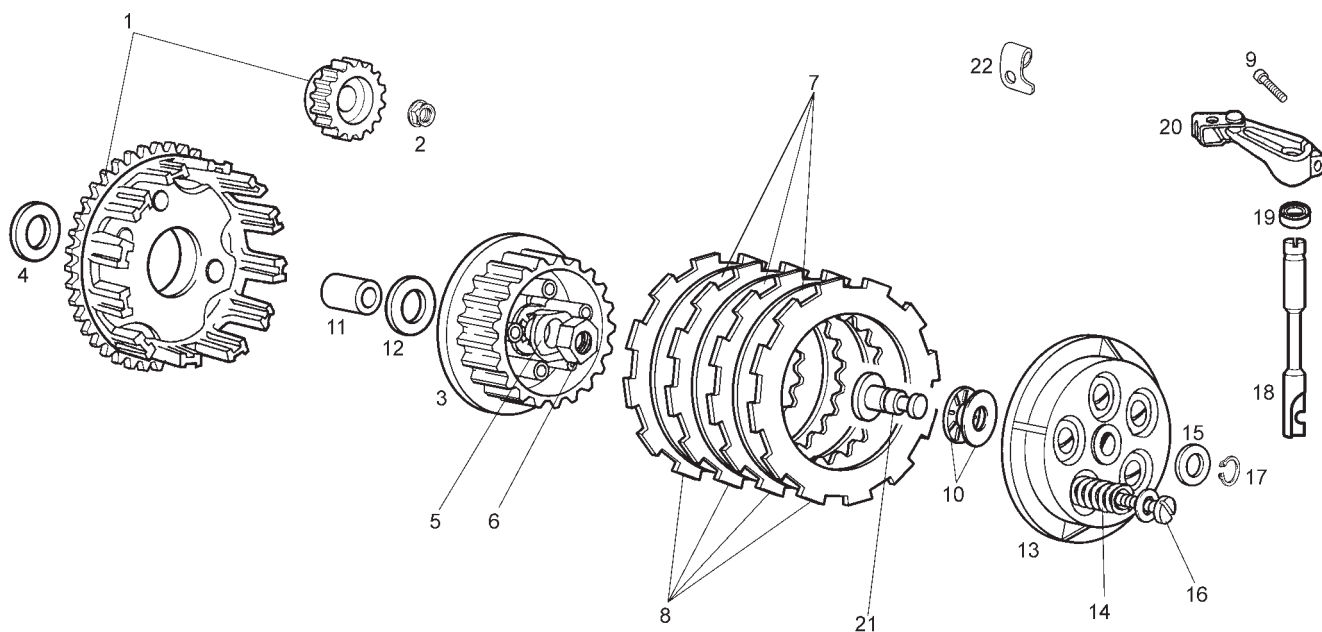
| Fig. | Ver. | COD. KOD. | DESCRIPCIÓN DENOMINAZIONE NAME | BEZEICHUNG DESIGNATION | MOD. | NOTAS NOTES NOTA MITSCHRIFT NOTES |
|------|------|-----------|--|--|-------------|-----------------------------------|
| 08A | 01 | 847014 | JUNTA CARTER-CILINDRO v/ALUMINIO GUARNIZIONE CILINDRO GASKET, CYLINDER | ZYLINDERPUBDICHTUNG JOINT DE CYLINDRE | 1 2 3 4 5 6 | UNTIL FRAME 8H417908 |
| 08A | | CM159502 | JUNTA CARTER-CILINDRO v/ALUMI. (0,5) GUARNIZIONE CILINDRO GASKET, CYLINDER | ZYLINDERPUBDICHTUNG JOINT DE CYLINDRE | 1 2 3 4 5 6 | UNTIL FRAME 8H417908 |
| 08B | | CM159501 | JUNTA CARTER-CILINDRO v/HIERRO (0,3) GUARNIZIONE CILINDRO GASKET, CYLINDER | ZYLINDERPUBDICHTUNG JOINT DE CYLINDRE | 1 2 3 4 5 6 | SINCE FRAME 8H417909 |
| 08C | | CM159502 | JUNTA CARTER-CILINDRO v/HIERRO (0,5) GUARNIZIONE CILINDRO GASKET, CYLINDER | ZYLINDERPUBDICHTUNG JOINT DE CYLINDRE | 1 2 3 4 5 6 | SINCE FRAME 8H417909 |
| 08D | | CM159503 | JUNTA CARTER-CILINDRO v/HIERRO (0,7) GUARNIZIONE CILINDRO GASKET, CYLINDER | ZYLINDERPUBDICHTUNG JOINT DE CYLINDRE | 1 2 3 4 5 6 | SINCE FRAME 8H417909 |
| 09A | | 847026 | CTO CIGÜEÑAL-BIELA ALBERO MOTORE CRANK SHAFT ROD | KURBELWELLE VILEBREQUIN COMPLET | 1 2 3 4 5 6 | |
| 10A | | 847010 | TERMOCONTACTO TERMOCONTATTO TERMOCONTACT | THERMOKONTAKT TERMOCONTATTO | 1 2 3 4 5 6 | |
| 11A | | 847020 | RETEN CIGUEÑAL GIUNTO TENUTA SEAL | DICHTRING JOINT | 1 2 3 4 5 6 | |
| 12A | | 847172 | COJINETE CUSCINETTO BEARING | LAGER COUSSINET | 1 2 3 4 5 6 | |
| 13A | | 847020 | RETEN CIGUEÑAL GIUNTO TENUTA SEAL | DICHTRING JOINT | 1 2 3 4 5 6 | |
| 14A | | 436947 | TUERCA EXAGONAL C/BRIDA 7M100 DADO NUT | MUTTER ECROU | 1 2 3 4 5 6 | |



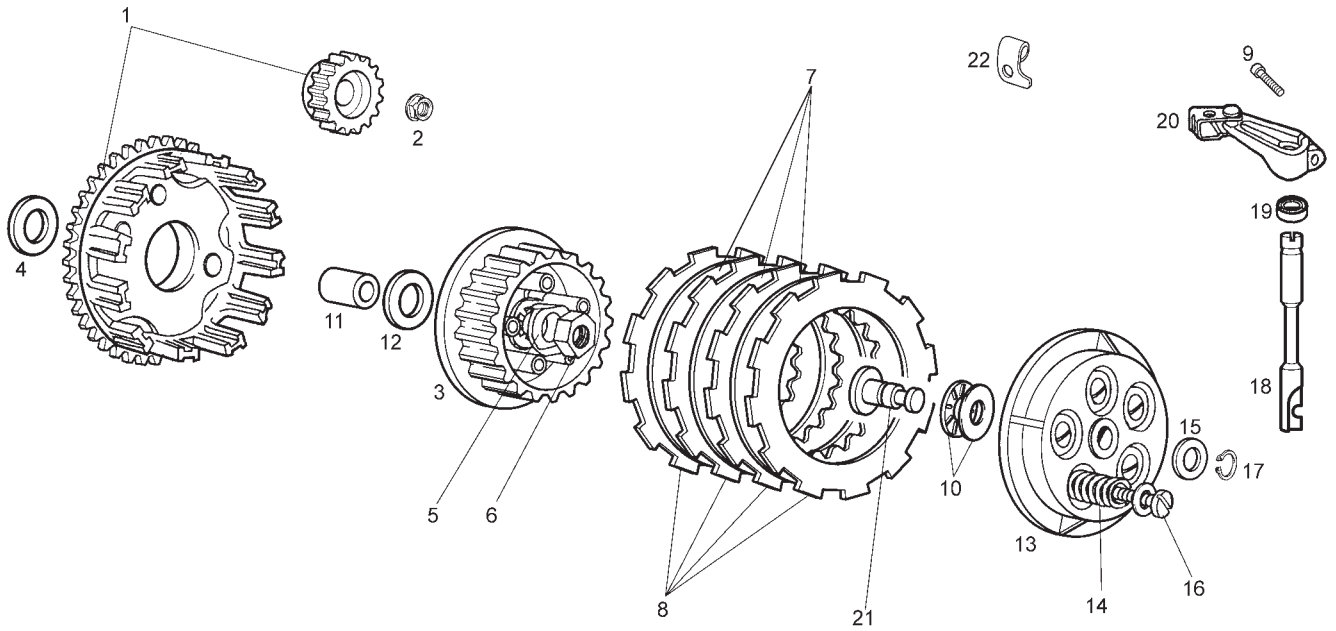
| Fig. | Ver. | COD. KOD. | DESCRIPCIÓN DENOMINAZIONE NAME | BEZEICHNUNG DESIGNATION | MOD. | NOTAS NOTES NOTA MITSCHRIFT NOTES |
|------|------|-------------|---|---------------------------------------|-------------|-----------------------------------|
| 15A | | 847008 | CULATIN TESTA CYLINDER HEAD | ZYLINDERKOPF CULASSE | 1 2 3 4 5 6 | |
| 16A | | 847215 | CHAVETA VOLANTE MAGNETICO SPINA KEY | KEIL CLAVETTE | 1 2 3 4 5 6 | |
| 17A | 01 | 847529 | JAULA PIE BIELA GABBIA PIEDE BIELLA BEARING, PISTON PIN | NADELLAGER CAGE A AIGUILLE DE PIED DE | 1 2 3 4 5 6 | |
| 17A | | 00002125170 | JAULA PIE BIELA GABBIA PIEDE BIELLA BEARING, PISTON PIN | NADELLAGER CAGE A AIGUILLE DE PIED DE | 1 2 3 4 5 6 | |
| 18A | | 847007 | JUNTA TORICA CULATIN GUARNIZIONE TESTA GASKET CYLINDER HEAD | ZYLINDERKOPFDICHTUNG JOINT DE CULASSE | 1 2 3 4 5 6 | |
| 19A | | CM149804 | TORNILLO FIJ. TAPA 6X25 VITE SCREW | SCHRAUBE VIS | 1 2 3 4 5 6 | |
| 20A | | 00H05001411 | TAPON RACORD CULATA TAPO CAP | KAPPE BOUCHON | 3 6 | |
| 21A | | 00F03700131 | ABRAZADERA FIJACION FASCETTA CLAMP | FLANGE BRIDE | 3 6 | |



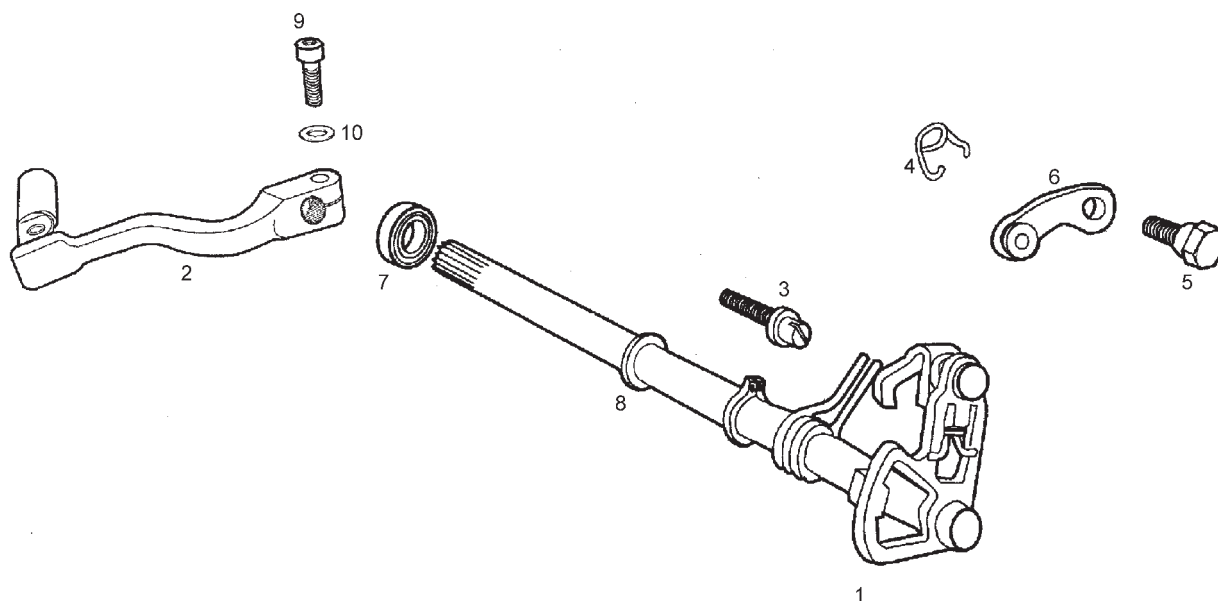
| Fig. | Ver. | COD. KOD. | DESCRIPCIÓN DENOMINAZIONE NAME | BEZEICHNUNG DESIGNATION | MOD. | NOTAS NOTES NOTA MITSCHRIFT NOTES |
|------|------|-------------|---|--|-------------|-----------------------------------|
| 01A | | 847098 | CTO. RUEDA AMORT. EMBRAGUE R-RUOTA FRIZIONE CLUTCH HOUSING AND DAMPER | KUPPLUNGSRAD CLOCHE EMBRAYAGE AVEC PIGNO | 1 2 3 4 5 6 | |
| 02A | | 847217 | TUERCA C/BASE 10M100 DADO NUT | MUTTER ECROU | 1 2 3 4 5 6 | |
| 03A | | 847045 | CAMPANA CONDUCCIDA CAMPANA GUIDATA CLUTCH HUB. | GLOCKE TAMBOUR EMBRAYAGE | 1 2 3 4 5 6 | |
| 04A | | 847218 | ARANDELA PROTEC.INT.BUJE EMBRAG. RONDELLA WASHER | SCHEIBE RONDELLE | 1 2 3 4 5 6 | |
| 05A | | 847220 | PRECTO.TCA.EMBRG. PIASTRINA DADO FRIZIONE WASHER, RETAINING | SICHERUNG FREIN DIECROU DIEMBAYAGE | 1 2 3 4 5 6 | |
| 06A | 01 | 847221 | TUERCA EMBRAGUE DADO NUT | MUTTER ECROU | 1 2 3 4 5 6 | |
| 06A | | 00000326260 | TUERCA EMBRAGUE DADO NUT | MUTTER ECROU | 1 2 3 4 5 6 | |
| 07A | | 847043 | DISCO CONDUCCIDO DISCO GUIDATO DRIVEN CLUTCH PLATE | SCHEIBE DISQUE EMBRAYAGE LISSE | 1 2 3 4 5 6 | |
| 08A | | 847044 | SCTO.DISCO CONDUCTOR SUBDISCO GUIDA CLUTCH PLATE | KUPPLUNGSRELAG DISQUE EMBRAYAGE GARNI | 1 2 3 4 5 6 | |
| 09A | 01 | 847179 | TORNILLO 6M100X20 VITE SCREW | SCHRAUBE VIS | 1 2 3 4 5 6 | |
| 09A | | 00052062011 | TORNILLO 6M100X20 VITE SCREW | SCHRAUBE VIS | 1 2 3 4 5 6 | |



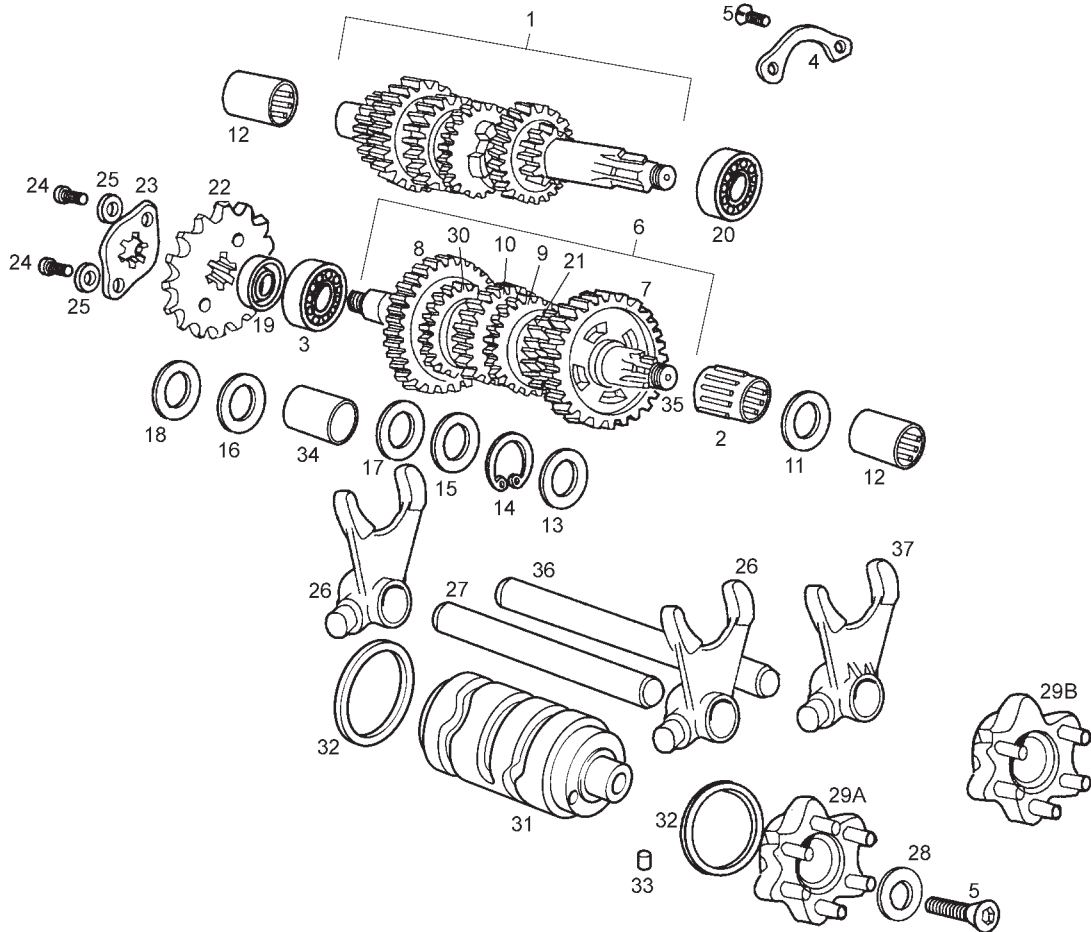
| Fig. | Ver. | COD. KOD. | DESCRIPCIÓN DENOMINAZIONE NAME | BEZEICHNUNG DESIGNATION | MOD. | NOTAS NOTES NOTA MITSCHRIFT NOTES |
|------|------|-------------|--|---|-------------|-----------------------------------|
| 10A | | 82835R | RODAMTO.AXIAL CREMALL.EMBRG. CUSCINETTO SFERE RADIALE CREMA BALL BEARING | LAGER ROULEMENT AXIAL | 1 2 3 4 5 6 | |
| 11A | | 847040 | CASQUILLO BUJE EMBRAGUE GHIERA BRONZINA FRIZIONE BUSHING | FUHRUNGSBUCHSE GABELSCHENK ENTRETOISE | 1 2 3 4 5 6 | |
| 12A | | 847042 | ARANDELA ROZAMTO.CAMPANA. RONDELLA WASHER | SCHEIBE RONDELLE | 1 2 3 4 5 6 | |
| 13A | | 847046 | TAPA CIERRE EMBRAG COPERCHIO CHIUSURA FRIZIONE G. OUTER CLUTCH PLATE | KUPPLINGS-VERSCHLUSSDECKEL PLATEAU EXTERIEUR D,EMBRAYA | 1 2 3 4 5 6 | |
| 14A | | 847047 | MUELLE REGULAC. EMBRAGUE MOLLA REGOLAZIONE FRIZIONE CLUTCH SPRING | STELLFEDER RESORT REGLAGE | 1 2 3 4 5 6 | |
| 15A | | 847224 | ARANDELA TOPE PIÑON INTERMD. RONDELLA WASHER | SCHEIBE RONDELLE | 1 2 3 4 5 6 | |
| 16A | | 847048 | SCTO. TORNILLO 5M80X35 VITE SCREW | SCHRAUBE VIS | 1 2 3 4 5 6 | |
| 17A | 01 | 847225 | ANILLO SEGURIDAD ANELLO SICUREZZA CIRCLIP | SEEGERRING CIRCLIP | 1 2 3 4 5 6 | |
| 17A | | 00000047110 | ANILLO SEGURIDAD ANELLO SICUREZZA CIRCLIP | SEEGERRING CIRCLIP | 1 2 3 4 5 6 | |
| 18A | | 847083 | EJE DESEMBRAGUE ASSE DISINNESCO FRIZIONE CLUTCH SHAFT | KUPPLUNGSACHSE AXE | 1 2 3 4 5 6 | |
| 19A | | 847075 | RETEN EJE MANDO GIUNTO TENUTA SEAL | DICHTRING JOINT | 1 2 3 4 5 6 | |



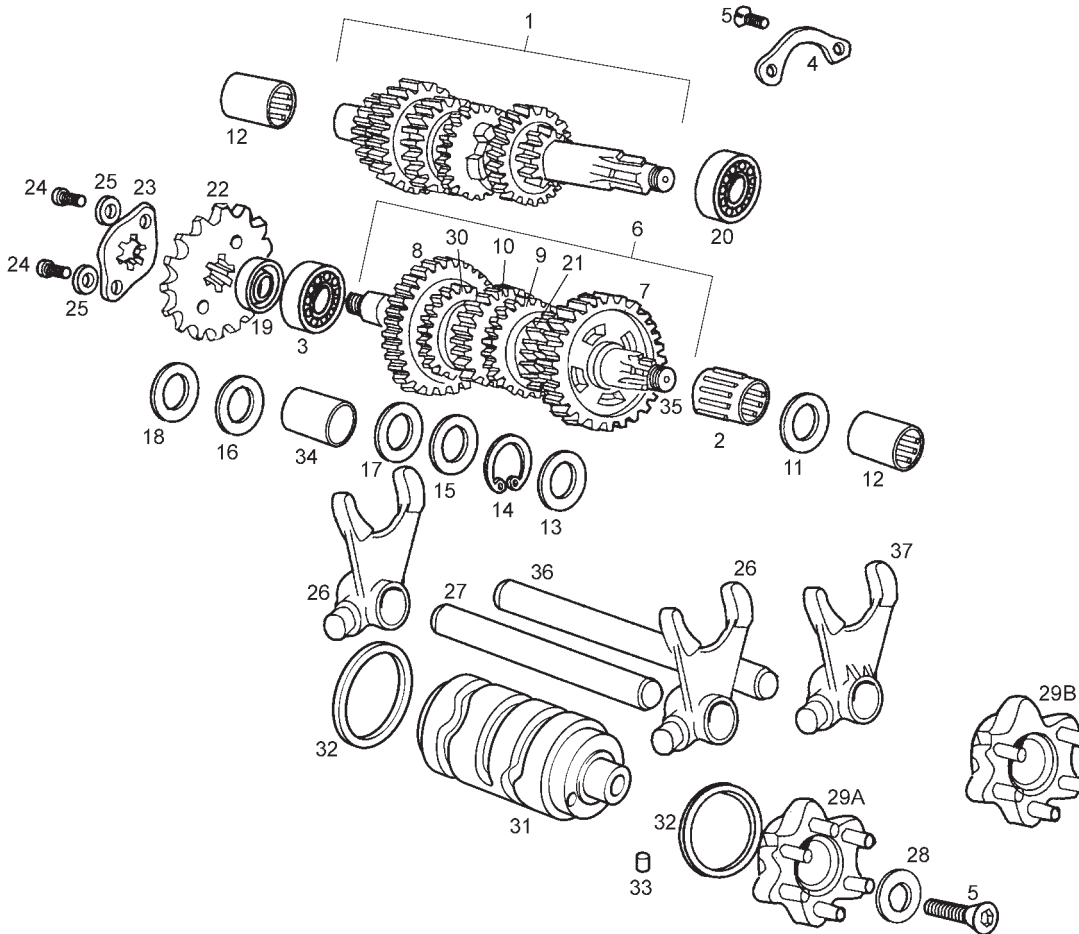
| Fig. | Ver. | COD. KOD. | DESCRIPCIÓN DENOMINAZIONE NAME | BEZEICHUNG DESIGNATION | MOD. | NOTAS NOTES MITSCHRIFT NOTES |
|------|------|-----------|--|------------------------------------|-------------|------------------------------|
| 20A | | CM151201 | SCTO.PALANCA DESEMBRAGUE SUBLEVA DISINNESCO F CLUTCH LEVER | KUPPLUNGSHABEL LEVIER EMBRAYAGE | 1 2 3 4 5 6 | |
| 21A | | 847223 | DESPLAZABLE EMBRAGUE ASSE FRIZIONE CLUTCH SHAFT | KUPPLUNGSSACHSE AXE | 1 2 3 4 5 6 | |
| 22A | | 847090 | PLACA TENSOR CABLE EMBRAGUE PIASTRINA PLATE | PLATTE PLAQUE | 1 2 3 4 5 6 | |



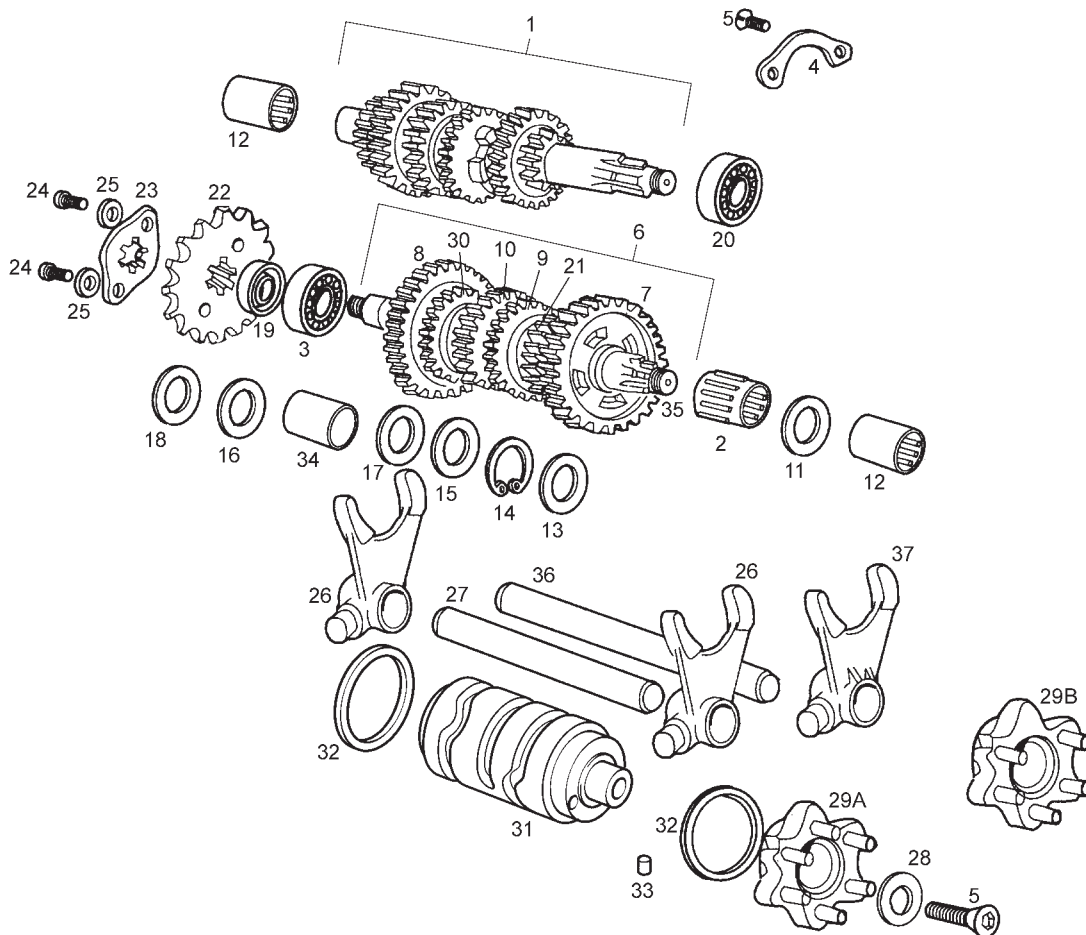
| Fig. | Ver. | COD. KOD. | DESCRIPCIÓN DENOMINAZIONE NAME | BEZEICHNUNG DESIGNATION | MOD. | NOTAS NOTES NOTA MITSCHRIFT NOTES |
|------|------|-------------|---|---|-------------|-----------------------------------|
| 01A | | 847236 | EJE SELECTOR SUBASSE SELETTORE S-ASSY. SELECTOR SHAFT | SCHALTACHSE S-ENSEMBLE AXE SELECTEUR | 1 2 3 4 5 6 | |
| 02A | | 00H02703421 | CTO PALANCA CAMBIO LEVA CAMBIO GEARSHIFT ASSY. | GRUPPE GANGSCHALTHEBEL PEDALE DE SELECTEUR | 1 2 3 4 5 6 | |
| 03A | | 847073 | ESPARRAGO MUELLE SELECTOR BULLONE MOLLA SELETTORE SCREW, SELECTOR SPRING ADJ. | FEDERSTIFT AXE EXCENTRIQUE | 1 2 3 4 5 6 | |
| 04A | | 847069 | MUELLE FIJ.MARCHAS. MOLLA FISSAGGIO MARCE GEAR FIXING SPARING | BEF.-FEDER RESSORT | 1 2 3 4 5 6 | |
| 05A | | 847070 | TORNILLO GUIA FIJ.MARCHAS VITE SCREW | SCHRAUBE VIS | 1 2 3 4 5 6 | |
| 06A | | 847068 | SCTO.PALANCA FIJ.MARCHAS. SUBLEVA FISSAGGIO MA LEVER FIXING GEARS | GANSCHALTHEEEL LEVIER FIXATION PIGNONS | 1 2 3 4 5 6 | |
| 07A | | 847075 | RETEN EJE MANDO RICHIAMO ASSE COMANDO SELETTOR OIL SEAL, SELECTOR SHAFT | SIMMERRING JOINT ANTI-FUITE | 1 2 3 4 5 6 | |
| 08A | 01 | 847228 | ARANDELA SEGURO TAMBOR RONDELLA WASHER | SCHEIBE RONDELLE | 1 2 3 4 5 6 | |
| 08A | | 00002028770 | ARANDELA SEGURO TAMBOR RONDELLA WASHER | SCHEIBE RONDELLE | 1 2 3 4 5 6 | |
| 09A | | 00002062511 | TORNILLO C/ALLEN 6M100X25 VITE SCREW | SCHRAUBE VIS | 1 2 3 4 5 6 | |
| 10A | | 00442060002 | ARANDELA MUELLE D6 RONDELLA WASHER | SCHEIBE RONDELLE | 1 2 3 4 5 6 | |



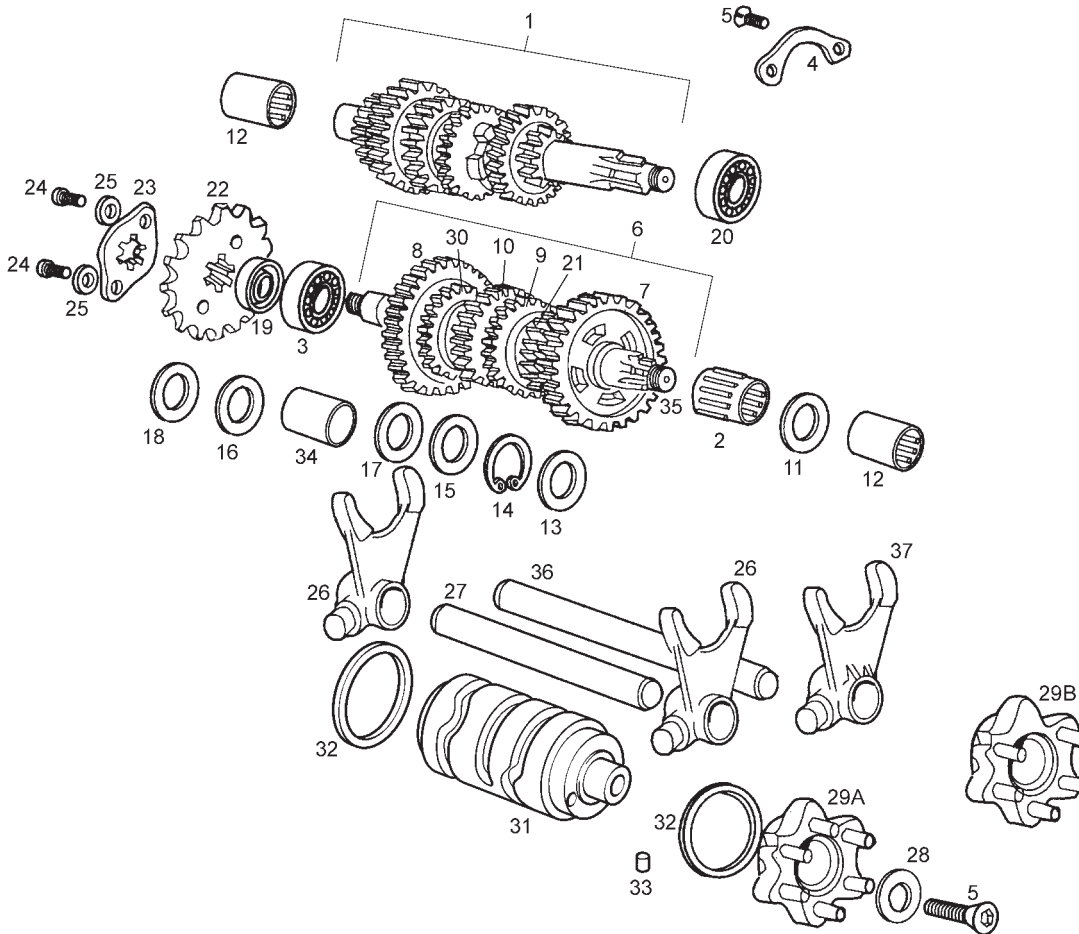
| Fig. | Ver. | COD. KOD. | DESCRIPCIÓN DENOMINAZIONE NAME | BEZEICHNUNG DESIGNATION | MOD. | NOTAS NOTES NOTA MITSCHRIFT NOTES |
|------|------|-------------|--|--|-------------|-----------------------------------|
| 01A | | 847027 | SCTO. EJE PRIMARIO 6V SUBASSE PRIMARIO DRIVE SHAFT. | PRIMARCHSE AXE PRIMAIRE | 1 2 3 4 5 6 | |
| 02A | | 847544 | CORONA AGUJAS PIÑON CORONA RULLINI PIGNONE NEEDLE BEARING | BADELLGER ROULEMENT AIGUILLES | 1 2 3 4 5 6 | |
| 03A | | 847086 | COJINETE CUSCINETTO BEARING | LAGER COUSSINET | 1 2 3 4 5 6 | |
| 04A | | 847021 | PRECINTO COJINETE EJE PRIMARIO PIASTRINA CUSCINETTO ASSE PRIM PLATE POSITION BALL BEARINGS | KUGELLEGERPRIMDRACHSE BUTEE DE ROULEMENT | 1 2 3 4 5 6 | |
| 05A | 01 | 847210 | TORNILLO AV.ALL.5M80X10 VITE SCREW | SCHRAUBE VIS | 1 2 3 4 5 6 | |
| 05A | | 00000013510 | TORNILLO AV.ALL.5M80X10 VITE SCREW | SCHRAUBE VIS | 1 2 3 4 5 6 | |
| 06A | | 847028 | CTO. EJE SECUNDARIO 6V ASSE SECONDARIO OUTPUT SHAFT | SEKUNDARACHSE AXE SECONDAIRE MONTE COMPLE | 1 2 3 4 5 6 | |
| 07A | | 847153 | PIÑON SECUNDARIO I Z-34 PIGNONE GEAR | RITZEL PIGNON | 1 2 3 4 5 6 | |
| 08A | | 847157 | PIÑON SECUNDARIO II Z-30 PIGNONE GEAR | RITZEL PIGNON | 1 2 3 4 5 6 | |
| 09A | | 847155 | PIÑON SECUNDARIO III Z-27 PIGNONE GEAR | RITZEL PIGNON | 1 2 3 4 5 6 | |
| 10A | | 847156 | PIÑON SECUNDARIO IV Z-24 PIGNONE GEAR | RITZEL PIGNON | 1 2 3 4 5 6 | |



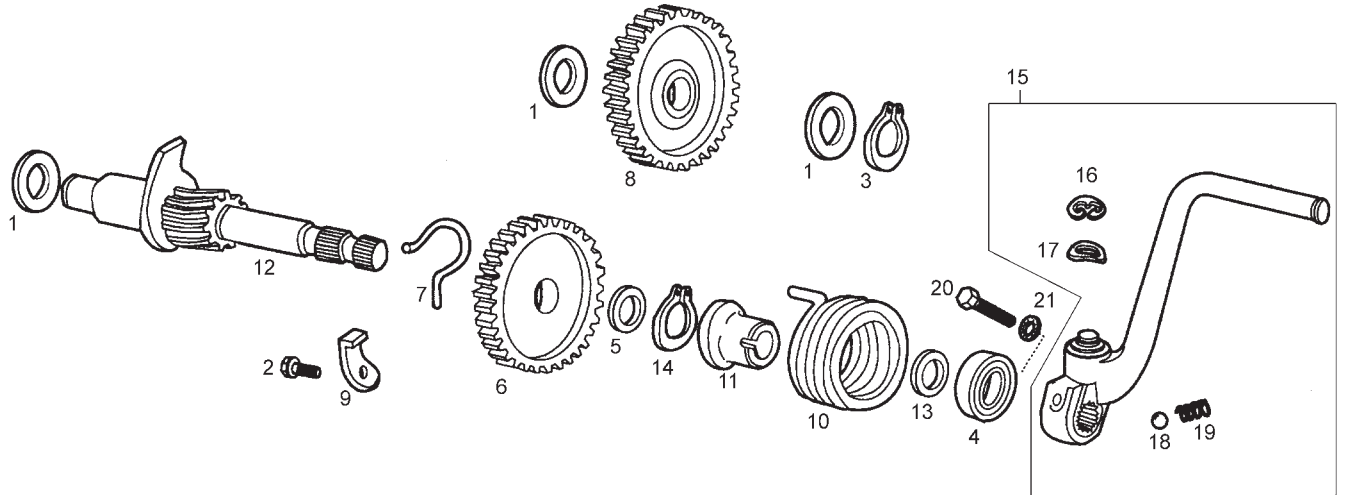
| Fig. | Ver. | COD. KOD. | DESCRIPCIÓN DENOMINAZIONE NAME | BEZEICHUNG DESIGNATION | MOD. | NOTAS NOTES NOTA MITSCHRIFT NOTES |
|------|------|-----------|---|-------------------------------|-------------|-----------------------------------|
| 11A | | 847549 | ARANDELA REGLAJE EJE SECUNDARIO RONDELLA WASHER | SCHEIBE RONDELLE | 1 2 3 4 5 6 | |
| 12A | | 847211 | CASQUILLO AGUJAS GHIERA RULLINI NEEDLE BEARING | NADELLGER CAGE A AIGUILLES | 1 2 3 4 5 6 | |
| 13A | | 847550 | ARANDELA ROZAMTO.PIÑON SECUND.I RONDELLA WASHER | SCHEIBE RONDELLE | 1 2 3 4 5 6 | |
| 14A | | 847542 | ANILLO SEGURIDAD ANELLO SICUREZZA CIRCLIP | SEEGERRING CIRCLIP | 1 2 3 4 5 6 | |
| 15A | | 847548 | ARANDELA RONDELLA WASHER | SCHEIBE RONDELLE | 1 2 3 4 5 6 | |
| 16A | | 847541 | ARANDELA RONDELLA WASHER | SCHEIBE RONDELLE | 1 2 3 4 5 6 | |
| 17A | | 847546 | ARANDELA RONDELLA WASHER | SCHEIBE RONDELLE | 1 2 3 4 5 6 | |
| 18A | | 847545 | ARANDELA RONDELLA WASHER | SCHEIBE RONDELLE | 1 2 3 4 5 6 | |
| 19A | | 847019 | RETEN.PIÑON SALIDA CAMBIO GIUNTO TENUTA SEAL | DICHTRING JOINT | 1 2 3 4 5 6 | |
| 20A | | 847209 | COJINETE CUSCINETTO BEARING | LAGER COUSSINET | 1 2 3 4 5 6 | |
| 21A | | 847154 | PIÑON SECUNDARIO V Z-23 PIGNONE GEAR | RITZEL PIGNON | 1 2 3 4 5 6 | |



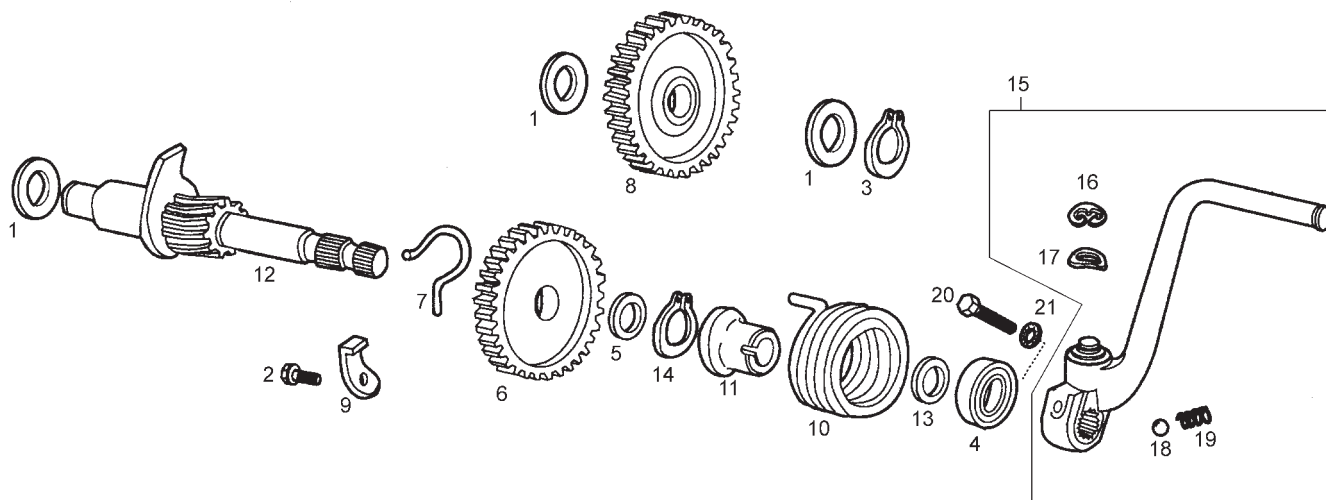
| Fig. | Ver. | COD. KOD. | DESCRIPCIÓN DENOMINAZIONE NAME | BEZEICHNUNG DESIGNATION | MOD. | NOTAS NOTES NOTA MITSCHRIFT NOTES |
|------|------|-------------|--|-------------------------------------|--------|-----------------------------------|
| 22A | 01 | 00H02813371 | PIÑÓN SALIDA CAMBIO Z-11 PIGNONE GEAR | RITZEL PIGNON | 12 45 | |
| 22A | | 86177R | PIÑÓN SALIDA CAMBIO Z-11 PIGNONE GEAR | RITZEL PIGNON | 12 45 | |
| 22B | | 00H02808371 | PIÑÓN SALIDA CAMBIO Z-12 PIGNONE GEAR | RITZEL PIGNON | 3 6 | |
| 23A | | 00H02800421 | PRECINTO PIÑÓN SALIDA CAMBIO PIASTRINA PIGNONE USCITA CAMBI LOCKWASHER, COUNTERSHAFT SPROK | HALTER RONDELLE DE SECURITE SBV. | 12 45 | |
| 23B | | 00H02810421 | PRECINTO PIÑÓN SALIDA CAMBIO PIASTRINA PIGNONE USCITA CAMBI LOCKWASHER, COUNTERSHAFT SPROK | HALTER RONDELLE DE SECURITE SBV. | 3 6 | |
| 24A | | 00002041050 | TORNILLO C/ALLEN 4M70X10 VITE SCREW | SCHRAUBE VIS | 12 45 | |
| 24B | | 00000004510 | TORNILLO C/ALLEN 5M80X10 VITE SCREW | SCHRAUBE VIS | 3 6 | |
| 25A | | 00000031040 | ARANDELA PLANA D4 RONDELLA WASHER | SCHEIBE RONDELLE | 12 45 | |
| 25B | | 00000031050 | ARANDELA PLANA D5 RONDELLA WASHER | SCHEIBE RONDELLE | 3 6 | |
| 26A | | 847032 | HORQUILLA SECUNDARIA FORCELLA SECONDARIA FORK OUTPUT | SHALTGABEL FOURCHETTE | 123456 | |
| 27A | | 847030 | EJE HORQUILLA SECUNDARIA ASSE FORCELLA SECONDARIA SECONDARY FORK SHAFT | GABEL SEKUNDARACHSE AXE | 123456 | |



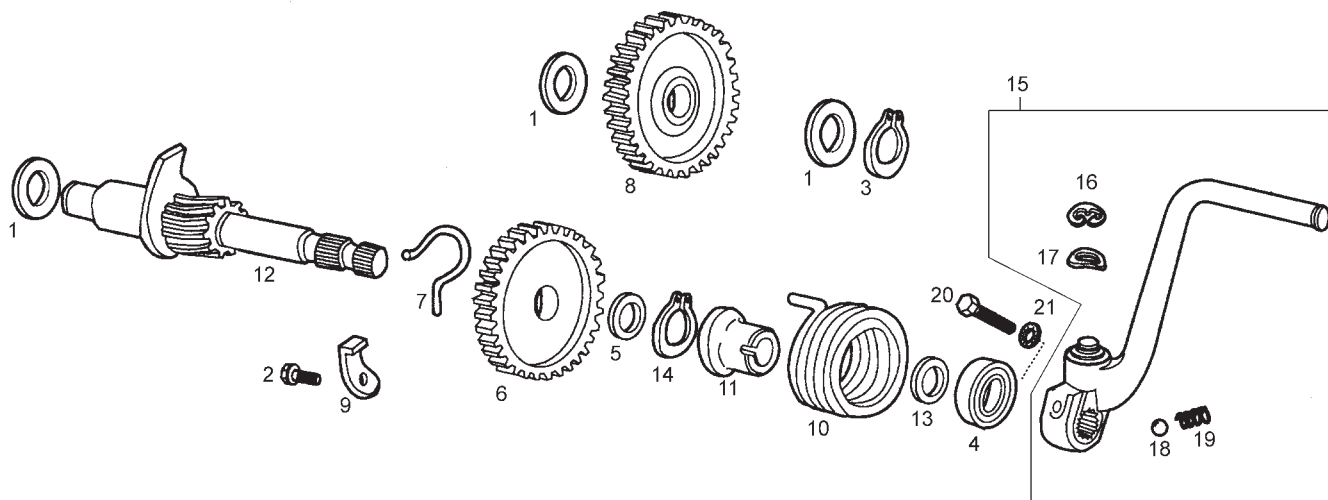
| Fig. | Ver. | COD. KOD. | DESCRIPCIÓN DENOMINAZIONE NAME | BEZEICHUNG DESIGNATION | MOD. | NOTAS NOTES NOTA MITSCHRIFT NOTES |
|------|------|-----------|---|--|-------------|-----------------------------------|
| 28A | | 847214 | ARANDELA PIÑ.CONTR/MAND.TAMBOR RONDELLA WASHER | SCHEIBE RONDELLE | 1 2 3 4 5 6 | |
| 29A | | 847038 | CABEZA MANDO TAMBOR TESTA COMANDO TAMBORO DRUM HEAD | ESTEUERKOPF TETE TAMBOUR SELECTEUR | 1 2 3 4 5 6 | EXCEPT DENMARK |
| 29B | | 863136 | CABEZA MANDO TAMBOR DENM. 30 KMH TESTA COMANDO TAMBORO DRUM HEAD | ESTEUERKOPF TETE TAMBOUR SELECTEUR | 2 5 | ONLY DENMARK |
| 30A | | 847158 | PIÑON SECUNDARIO VI Z-22 PIGNONE GEAR | RITZEL PIGNON | 1 2 3 4 5 6 | |
| 31A | | 847081 | TAMBOR DISTRIBUIDOR TAMBORO DISTRIBUTORE SHIFT DRUM | VERTEILERTROMMEL BARILLET | 1 2 3 4 5 6 | |
| 32A | | 847036 | ARANDELA TAMBOR DISTRIBUIDOR RONDELLA WASHER | SCHEIBE RONDELLE | 1 2 3 4 5 6 | |
| 33A | | 847213 | RODILLO.4X6. RULLO ROLLER | WALZE FUR SCHA LTUNG GALETS | 1 2 3 4 5 6 | |
| 34A | | 847547 | CASQUILLO PIÑON SECUND.II. GHIERA PIGNONE SECONDARIO .II. BUSHING | FUHRUNGSBUCHSE GABELSCHENK ENTRETOISE | 1 2 3 4 5 6 | |
| 35A | | 847159 | SCTO EJE SECUNDARIO 6V. ASSE SECONDARIO OUTPUT SHAFT | SEKUNDARACHSE AXE SECONDAIRE MONTE COMPLE | 1 2 3 4 5 6 | |
| 36A | | 847029 | EJE HORQUILLA PRIMARIA. ASSE FORCELLA PRIMARIA PRIMARY FORK SHAFT | GABEL PRIMARACHSE AXE | 1 2 3 4 5 6 | |
| 37A | | 847031 | HORQUILLA PRIMARIA V-VI. FORCELLA PRIMARIA FORK OUTPUT | SHALTGABEL FOURCHETTE | 1 2 3 4 5 6 | |



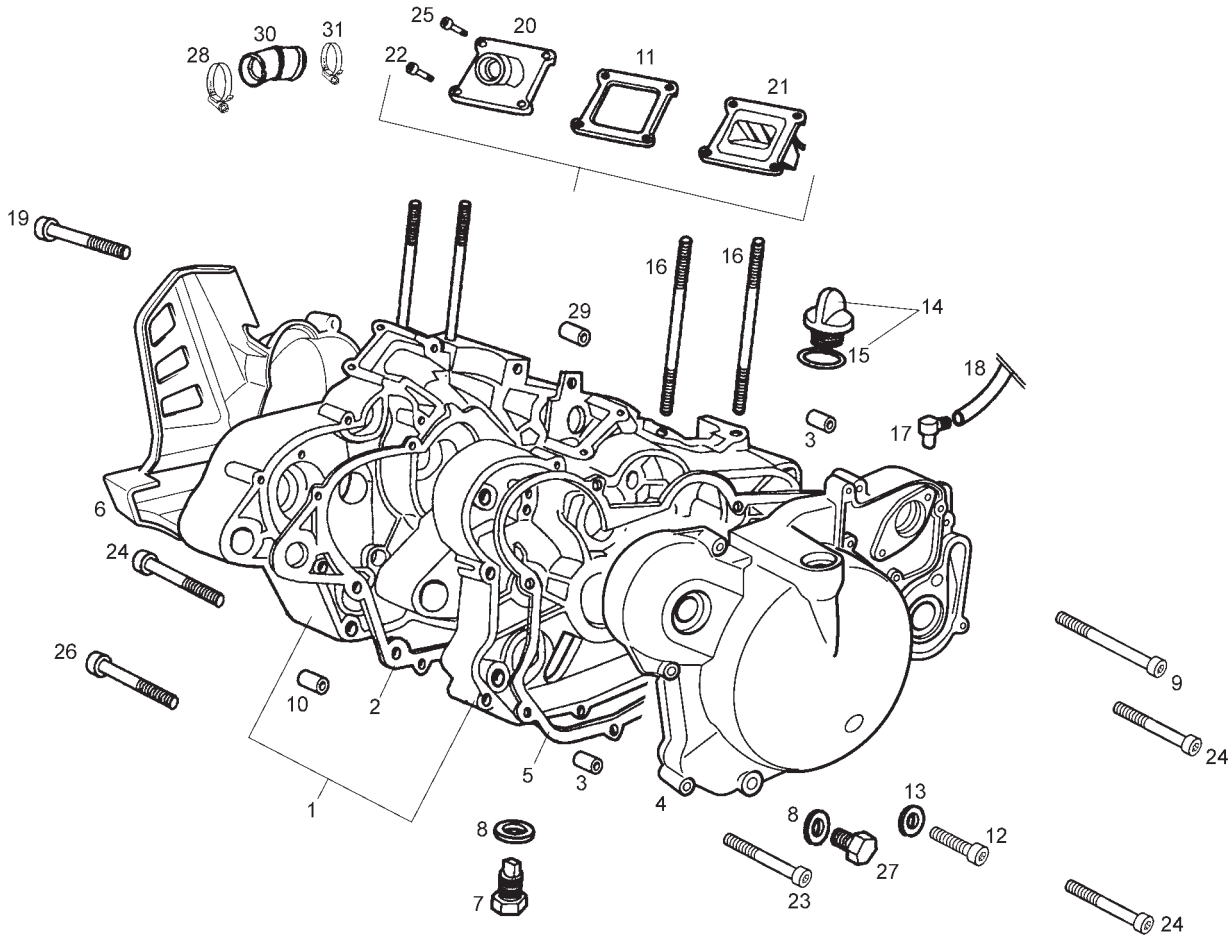
| Fig. | Ver. | COD. KOD. | DESCRIPCIÓN DENOMINAZIONE NAME | BEZEICHNUNG DESIGNATION | MOD. | NOTAS NOTES NOTA MITSCHRIFT NOTES |
|------|------|-------------|--|--|-------------|-----------------------------------|
| 01A | 01 | 847228 | ARANDELA RONDELLA WASHER | SCHEIBE RONDELLE | 1 2 3 4 5 6 | |
| 01A | | 00002028770 | ARANDELA RONDELLA WASHER | SCHEIBE RONDELLE | 1 2 3 4 5 6 | |
| 02A | | CM149802 | TORNILLO FIJ.TOPE ARRANQUE VITE SCREW | SCHRAUBE VIS | 1 2 3 4 5 6 | |
| 03A | 01 | 847229 | ANILLO SEGURIDAD D11 ANELLO SICUREZZA CIRCLIP | SEEGERRING CIRCLIP | 1 2 3 4 5 6 | |
| 03A | | 00000047111 | ANILLO SEGURIDAD D11 ANELLO SICUREZZA CIRCLIP | SEEGERRING CIRCLIP | 1 2 3 4 5 6 | |
| 04A | | 847074 | RETEN EJE ARRANQUE GIUNTO TENUTA SEAL | DICHTRING JOINT | 1 2 3 4 5 6 | |
| 05A | | 847232 | ARANDELA TOPE PIÑON ARRANQUE RONDELLA WASHER | SCHEIBE RONDELLE | 1 2 3 4 5 6 | |
| 06A | | 847061 | PIÑON ARRANQUE Z-29 PIGNONE AVVIAMENTO KICKSTARTER GEAR | ANLAUFRITZEL ROUE DE MISE EN MARCHE | 1 2 3 4 5 6 | |
| 07A | | 847060 | MUELLE PI'ON ARR. MOLLA PIGNONE AVVIAMENTO SPRING, ENGAGEMENTE REAR | RITZELFEDER RESSORT DE ROUE DE MISE EN | 1 2 3 4 5 6 | |
| 08A | | 847056 | PIÑON INTERMEDIO ARRANQUE PIGNONE INTERMEDIO AVVIAMENTO DRIVING GEAR | ANLAUF-ZWISCHENRITZEL ROUE INTERMEDIAIRE | 1 2 3 4 5 6 | |



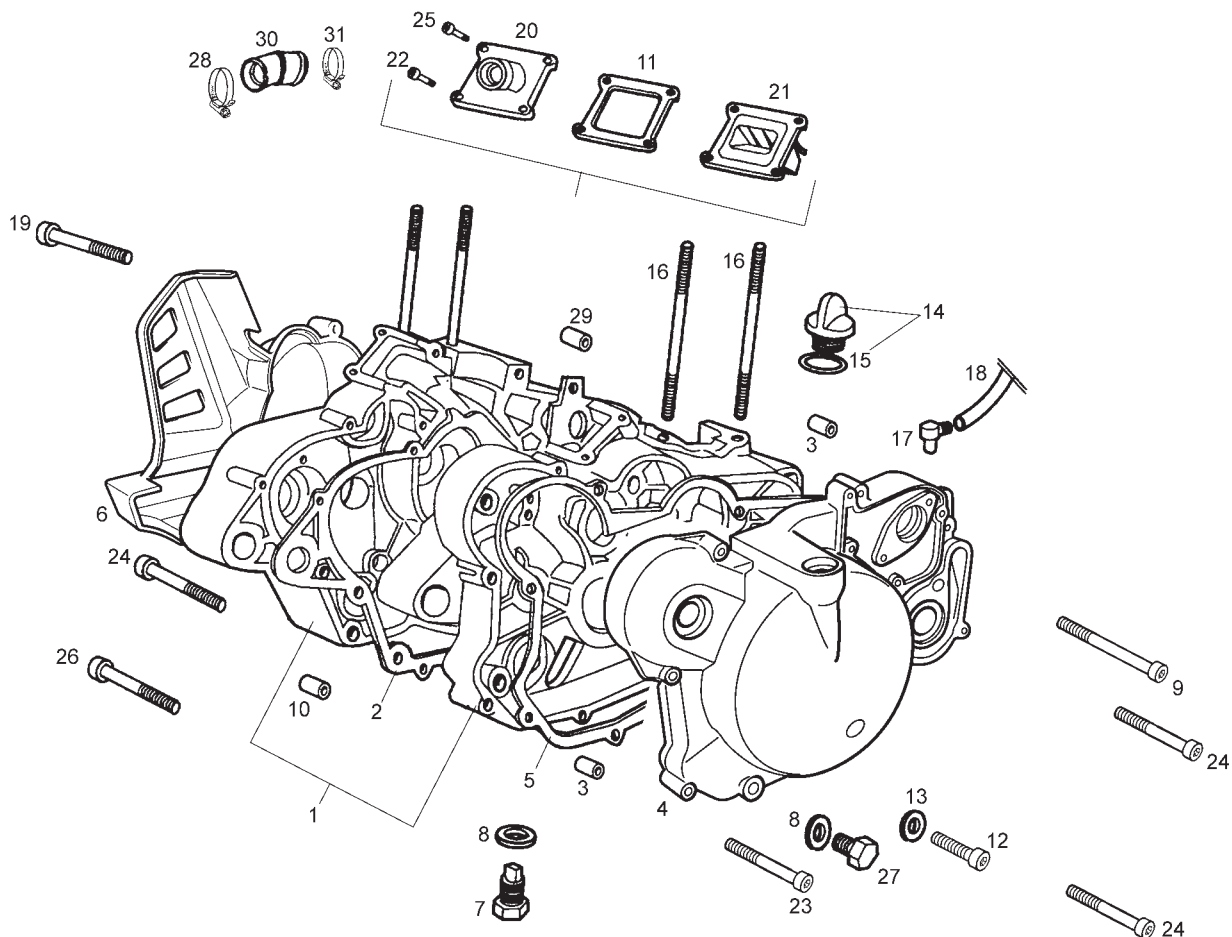
| Fig. | Ver. | COD. KOD. | DESCRIPCIÓN DENOMINAZIONE NAME | BEZEICHNUNG DESIGNATION | MOD. | NOTAS NOTES NOTA MITSCHRIFT NOTES |
|------|------|-------------|---|--|-------------|-----------------------------------|
| 09A | | 847062 | REFUERZO TOPE ARRANQUE RINFORZO FERMO AVVIAMENTO KICKSTARTER LEVER STOP | VERSTARUNG F.ANSCHULAG BUTEE PEDALE DE KICK | 1 2 3 4 5 6 | |
| 10A | | 847057 | MUELLE ARRANQUE, MOLLA AVVIAMENTO KICKSTARTER SPRING | ANLAUFFEDER RESSORT DE KICK | 1 2 3 4 5 6 | |
| 11A | | 847058 | CAZOLETA.GUIA MUELLE ARRANQUE SCODELLINO GUIDA MOLLA AVVIAME SPRING GUIDE | FUHRUNGSPFANE RAMPE DE KICK | 1 2 3 4 5 6 | |
| 12A | | 847059 | SCTO.EJE ARRANQUE, SUBASSE AVVIAMENTO KICKSTARTER SHAFT | ANLAUFACHSE ARBRE DE KICK | 1 2 3 4 5 6 | |
| 13A | | 847230 | ARANDELA TOPE ARRANQUE RONDELLA WASHER | SCHEIBE RONDELLE | 1 2 3 4 5 6 | |
| 14A | | 847231 | ANILLO SEGURIDAD D22 ANELLO SICUREZZA CIRCLIP | SEEGERRING CIRCLIP | 1 2 3 4 5 6 | |
| 15A | | 00H02902252 | PALANCA ARRANQUE LEVA AVVIAMENTO KICKSTARTER LEVER | KICKSTARTER LEVIER DE KICK | 1 2 3 4 5 6 | |
| 16A | | 00047030900 | ANILLO SEGURIDAD ANELLO SICUREZZA CIRCLIP | SICHERHEITSRING ANNEAU SECURITE AXE | 1 2 3 4 5 6 | |
| 17A | | 00000036100 | ARANDELA MUELLE RONDELLA WASHER | SCHEIBE RONDELLE | 1 2 3 4 5 6 | |
| 18A | | 00000061040 | BOLA.D.4,76. PALLA BALL | KUGEL BILLE DIAMETRE | 1 2 3 4 5 6 | |



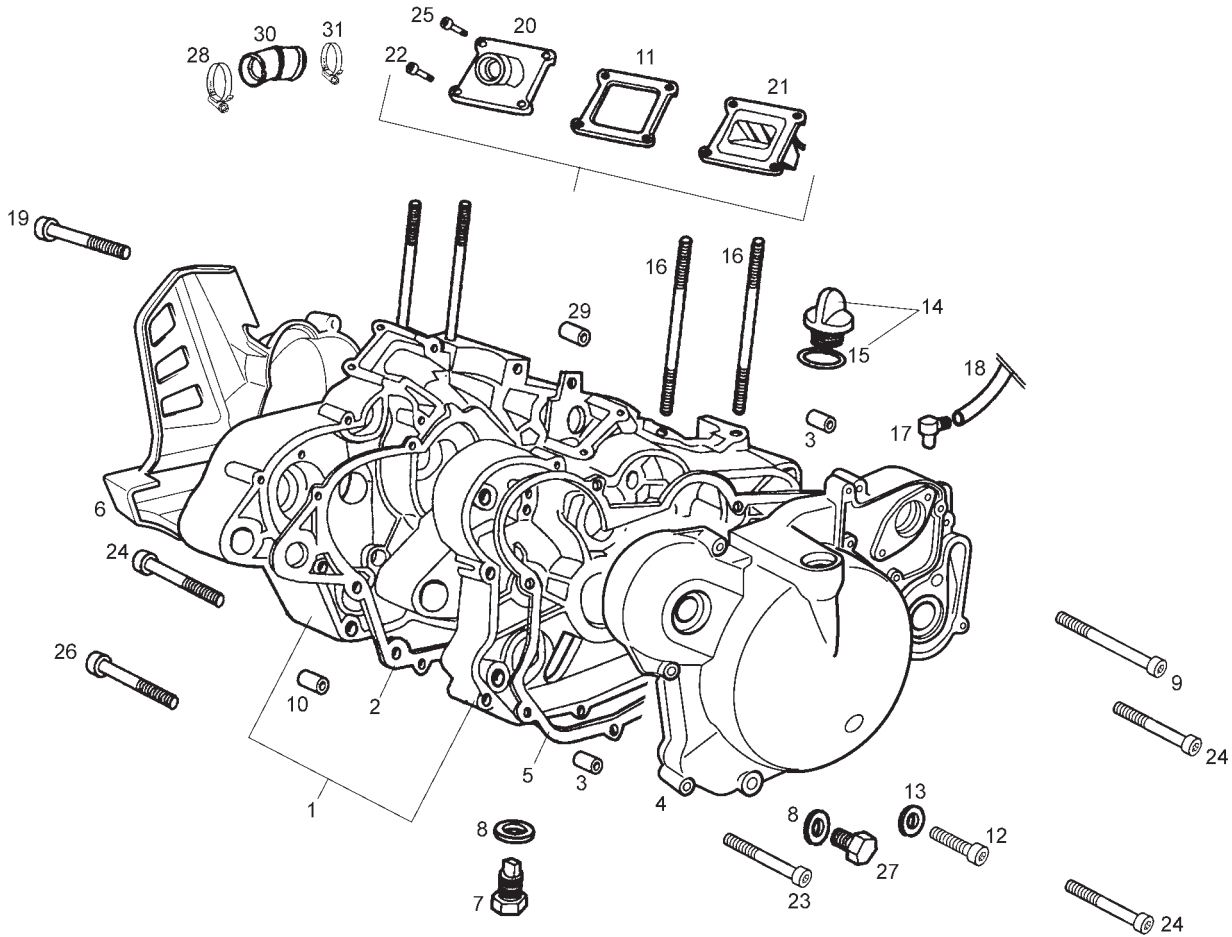
| Fig. | Ver. | COD. KOD. | DESCRIPCIÓN DENOMINAZIONE NAME | BEZEICHNUNG DESIGNATION | MOD. | NOTAS NOTES NOTA MITSCHRIFT NOTES |
|------|------|-------------|--|----------------------------|-------------|---|
| 19A | | 00003127200 | MUELLE MOLLA GRILLETTO TORCIA SPRING, DETENT | FEDER RESSORT | 1 2 3 4 5 6 | |
| 20A | | 00004162500 | TORNILLO C/ALLEN 6M100X25 VITE SCREW | SCHRAUBE VIS | 1 2 3 4 5 6 | |
| 21A | | 00037000600 | ARANDELA CONICA SEG. D6 RONDELLA WASHER | SCHEIBE RONDELLE | 1 2 3 4 5 6 | |



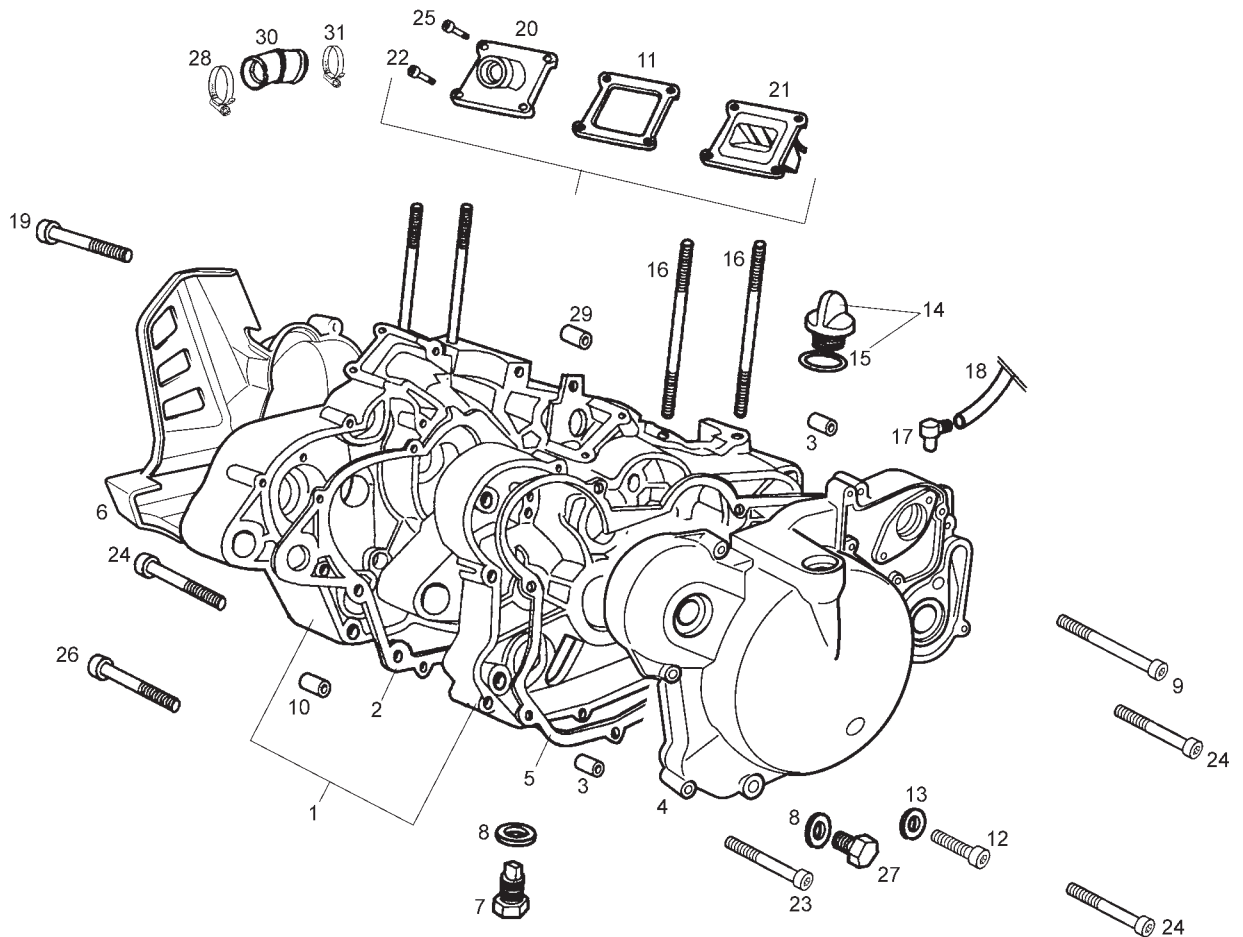
| Fig. | Ver. | COD. KOD. | DESCRIPCIÓN DENOMINAZIONE NAME | BEZEICHUNG DESIGNATION | MOD. | NOTAS NOTES NOTA MITSCHRIFT NOTES |
|------|------|-------------|--|--|-------------|-----------------------------------|
| 01A | | CM1503015 | CTO. CARTERS CARTERS CRANCKASE ASSEMBLY | MOTORGEHÄUSE ENSEMBLE DES CARTERS MOTEUR | 1 2 3 4 5 6 | |
| 02A | | 847022 | JUNTA CARTERS GUARNIZIONE CARTERS GASKET, CHANCKASE | GEHAUSEDICHTUNG JOINT DE CARTERS CENTRAUX | 1 2 3 4 5 6 | |
| 03A | | 847241 | PASADOR UNION CARTER. CHIAVISTELLO SOSTEGNO SPIRALE FORK PIN | STIFT GOUDILLE | 1 2 3 4 5 6 | |
| 04A | | CM150703 | TAPA CARTER DERECHA SUBC.COP.CARTER DES. CRANCKASE COVER | KUPPLINGSDECKEL CARTER DIEMBRYAGE | 1 2 3 4 5 6 | |
| 05A | | 847084 | JUNTA TAPA CARTER DERECHA GUARNIZIONE COPERCHIO CARTER D GASKET RIGHT-HAND COVER | DICHTUNG JOINT DE CARTER EMBRAYAGE | 1 2 3 4 5 6 | |
| 06A | | 00H03007241 | TAPA CARTER IZQUIERDA COPERCHIO CARTER SINISTRO CRANCKASE COVER LEFT | GEHD US ED EDKELLINKS COUVERCLE CARTER GAUCHE | 1 2 3 4 5 6 | |
| 07A | | 847237 | CTO.TORNILLO VACIADO.ACEITE VITE SCREW | SCHRAUBE VIS | 1 2 3 4 5 6 | |
| 08A | | 847238 | ARANDELA VACIADO ACEITE RONDELLA WASHER | SCHEIBE RONDELLE | 1 2 3 4 5 6 | |
| 09A | | CM149801 | TORNILLO C/ALLEN.6M100X55 VITE SCREW | SCHRAUBE VIS | 1 2 3 4 5 6 | |
| 10A | | 847023 | SEPARADOR CARTER GHIERA PIN | BUCHSE DOUILLE | 1 2 3 4 5 6 | |
| 11A | | 847091 | JUNTA SOPTE.VALVULA ADMISION GUARNIZIONE SOSTEGNO VALVOLA A INLET VALVE GASKET | DICHTUNG VENTILHALTER JOINT BTE.CLAPETS | 1 2 3 4 5 6 | |



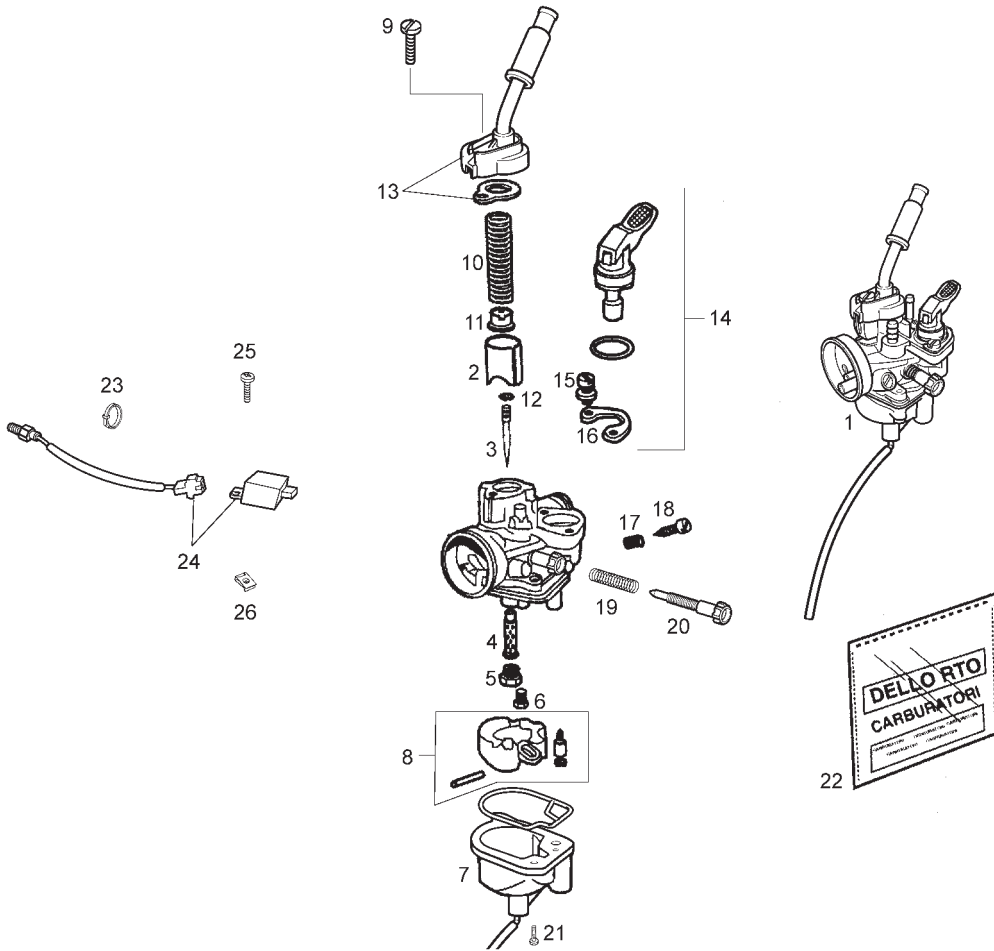
| Fig. | Ver. | COD. KOD. | DESCRIPCIÓN DENOMINAZIONE NAME | BEZEICHUNG DESIGNATION | MOD. | NOTAS NOTES NOTA MITSCHRIFT NOTES |
|------|------|-------------|---|---|-------------|-----------------------------------|
| 12A | 01 | 847240 | TORNILLO C/ALLEN.6M100X10 VITE SCREW | SCHRAUBE VIS | 1 2 3 4 5 6 | |
| 12A | | 00002061011 | TORNILLO C/ALLEN.6M100X10 VITE SCREW | SCHRAUBE VIS | 1 2 3 4 5 6 | |
| 13A | 01 | 847239 | ARANDELA NIVEL ACEITE.D6 RONDELLA WASHER | SCHEIBE RONDELLE | 1 2 3 4 5 6 | |
| 13A | | 00003102280 | ARANDELA NIVEL ACEITE.D6 RONDELLA WASHER | SCHEIBE RONDELLE | 1 2 3 4 5 6 | |
| 14A | | 847087 | TORNILLO LLENADO ACEITE VITE SCREW | SCHRAUBE VIS | 1 2 3 4 5 6 | |
| 15A | 01 | 847180 | ANILLO TORICO TAPON NIV.ACTE. ANELLO TORICO SEAL | O-RING JOINT DE JAUGE D,HUILE | 1 2 3 4 5 6 | |
| 15A | | 00001130370 | ANILLO TORICO TAPON NIV.ACTE. ANELLO TORICO SEAL | O-RING JOINT DE JAUGE D,HUILE | 1 2 3 4 5 6 | |
| 16A | | 847015 | ESPARRAGO CILINDRO MOTOR BULLONE FISSAGGIO CILINDRO STUD CYLINDER | STEBBOLZEN GOUJON DE FIXE CYLINDRE | 1 2 3 4 5 6 | |
| 17A | | 847024 | RACORD SALIDA GASES RACCORDI USCITA GAS CARTER . CRANKCASE VENT RACCORD | AUSGANGSSTUTZEN RACCORD DE SORTIE GAZ CARTE | 1 2 3 4 5 6 | |
| 18A | | 00H03700461 | TUBO RESPIRACION TUBO RESPIRAZIONE SERBATOIO VENT PIPE OIL TANK | ENTLUEFTUNGSSCHLAUCH TUYAU RESPIRATION RESERVOIR | 1 2 3 4 5 6 | |
| 19A | | 00G03900821 | TORNILLO FIJACION 6X30 VITE SCREW | SCHRAUBE VIS | 1 2 3 4 5 6 | |



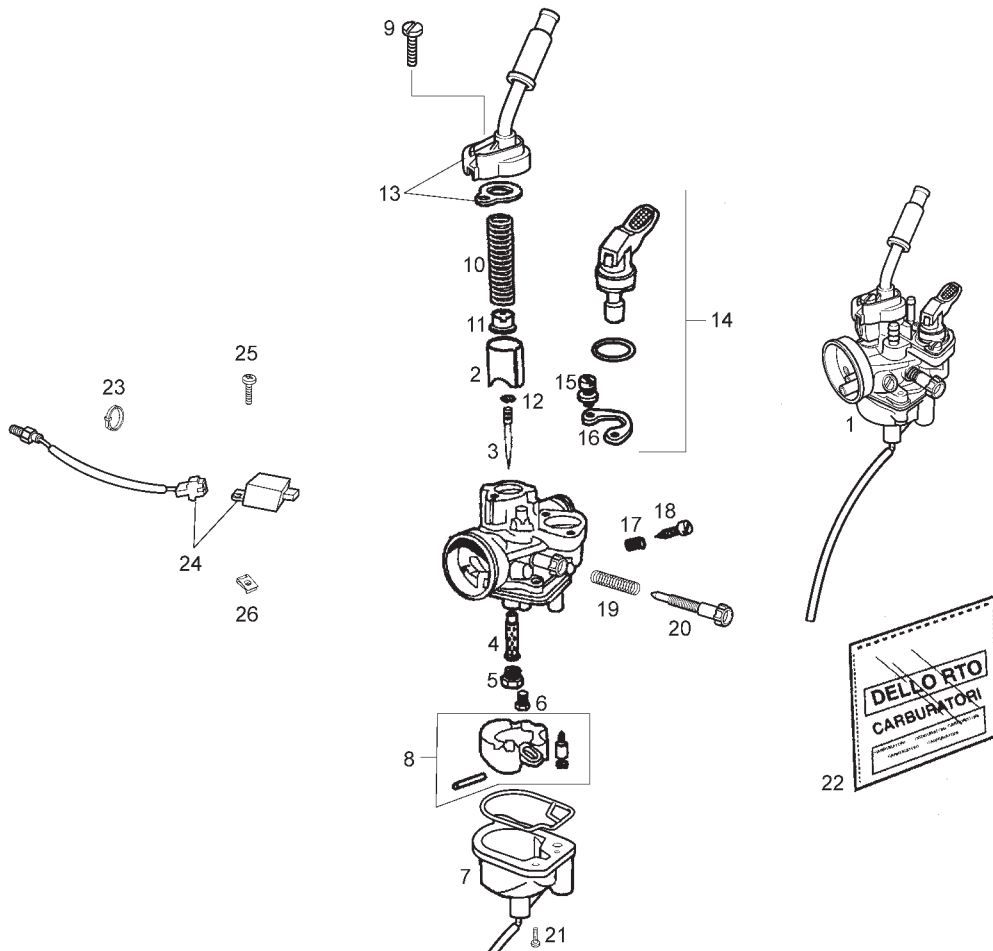
| Fig. | Ver. | COD. KOD. | DESCRIPCIÓN DENOMINAZIONE NAME | BEZEICHNUNG DESIGNATION | MOD. | NOTAS NOTES NOTA MITSCHRIFT NOTES |
|------|------|-------------|--|--|-------------|-----------------------------------|
| 20A | | 847093 | BOQUILLA CARBURANTE ATTACCO CARBURATORE INTAKE MANIFOLD, | ANSAUGSTUTZEN ENSEMB.PIPE DIADMISSION | 1 2 3 4 5 6 | |
| 21A | 01 | 847092 | CTO.CAJA LAMINAS ADMISION CASSA LAMINA AMMISSI INLET BOX | MEMBRANE BOITE A CLAPETS | 1 2 3 4 5 6 | |
| 21A | | 00H02510641 | CTO.CAJA LAMINAS ADMISION CASSA LAMINA AMMISSI INLET BOX | MEMBRANE BOITE A CLAPETS | 1 2 3 4 5 6 | |
| 22A | | CM149804 | TORNILLO C/ALLEN.6M100X25. VITE SCREW | SCHRAUBE VIS | 1 2 3 4 5 6 | |
| 23A | 01 | CM149806 | TORNILLO C/ALLEN.6M100X35 VITE SCREW | SCHRAUBE VIS | 1 2 3 4 5 6 | |
| 23A | | 00G03001091 | TORNILLO C/ALLEN.6M100X35 VITE SCREW | SCHRAUBE VIS | 1 2 3 4 5 6 | |
| 24A | 01 | CM149808 | TORNILLO C/ALLEN.6M100X40 VITE SCREW | SCHRAUBE VIS | 1 2 3 4 5 6 | |
| 24A | | 00G03002091 | TORNILLO C/ALLEN.6M100X40 VITE SCREW | SCHRAUBE VIS | 1 2 3 4 5 6 | |
| 25A | | 828152 | TORNILLO VITE SCREW | SCHRAUBE VIS | 1 2 3 4 5 6 | |
| 26A | 01 | CM149809 | TORNILLO FIJACION CARTERS.6X50 VITE SCREW | SCHRAUBE VIS | 1 2 3 4 5 6 | |
| 26A | | 00H03000091 | TORNILLO FIJACION CARTERS.6X50 VITE SCREW | SCHRAUBE VIS | 1 2 3 4 5 6 | |



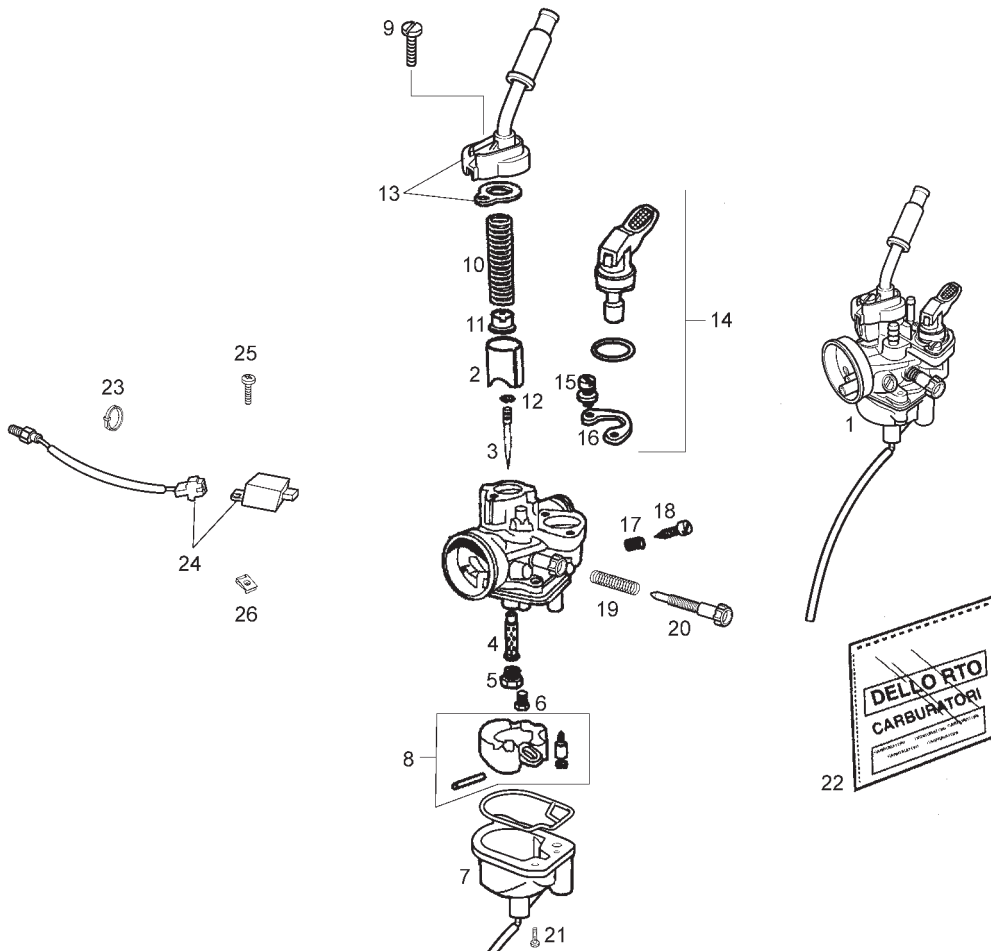
| Fig. | Ver. | COD. KOD. | DESCRIPCIÓN DENOMINAZIONE NAME | BEZEICHNUNG DESIGNATION | MOD. | NOTAS NOTES NOTA MITSCHRIFT NOTES |
|------|------|-------------|---|-------------------------|-------------|-----------------------------------|
| 27A | | 847174 | TORNILLO VACIADO ACEITE. VITE SCREW | SCHRAUBE VIS | 1 2 3 4 5 6 | |
| 28A | | 00H02501491 | ABRAZADERA FASCETTA CLAMP | ZÜGEL BRIDE | 1 2 3 4 5 6 | |
| 29A | | 847023 | SEPARADOR CARTER GHIERA PIN | BUCHSE DOUILLE | 1 2 3 4 5 6 | |
| 30A | | 871319 | RACORD ADMISION BRONZINA BUSHING | BUCHSE ENTRETOISE | 1 2 3 4 5 6 | |
| 31A | | 847096 | ABRAZADERA FASCETTA CLAMP | ZÜGEL BRIDE | 1 2 3 4 5 6 | |



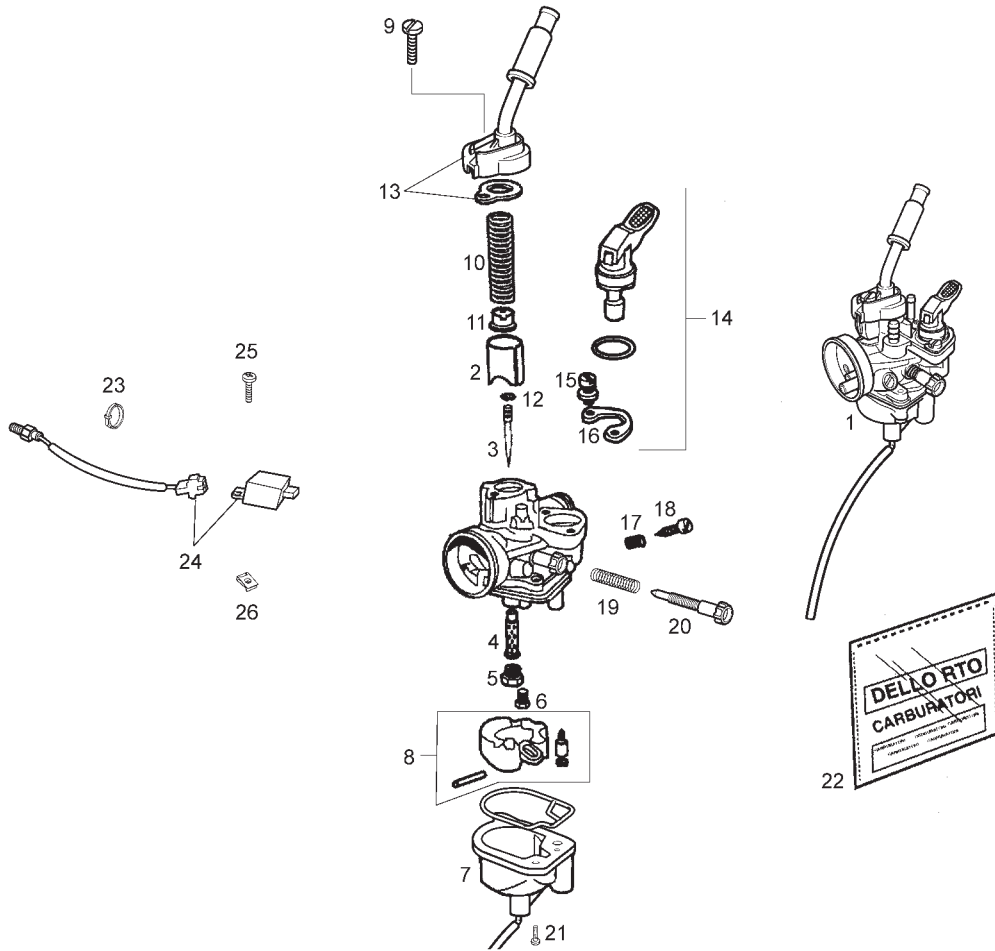
| Fig. | Ver. | COD. KOD. | DESCRIPCIÓN DENOMINAZIONE NAME | BEZEICHNUNG DESIGNATION | MOD. | NOTAS NOTES NOTA MITSCHRIFT NOTES |
|------|------|-------------|---|--|------------|-----------------------------------|
| 01A | | CM152702 | CARBURADOR SENDA CARBURATORE CARBURETOR | VERGASER KOMPL ENSEMBLE CARBURATEUR | 12 45 | |
| 01B | | CM149905 | CARBURADOR SENDA SCANDINAVIA CARBURATORE CARBURETOR | VERGASER KOMPL ENSEMBLE CARBURATEUR | 3 6 | UNTIL FRAME 9H433717 |
| 02A | 01 | 00H03207211 | R-COMPUERTA GAS R-VALVOLA GAS SLIDE | GASSCHIEBER BOISSEAU | 12 45 | |
| 02A | | CM141710 | R-COMPUERTA GAS R-VALVOLA GAS SLIDE | GASSCHIEBER BOISSEAU | 12 45 | |
| 02B | | 00F03201211 | COMPUERTA GAS R-VALVOLA GAS SLIDE | GASSCHIEBER BOISSEAU | 3 6 | UNTIL FRAME 9H433717 |
| 03A | 01 | 00H03214431 | R-AGUJA PULVERIZADORA SPILLO CONICO NEEDLE | DUESENNADELUSE AIGUILLE PULVERIZ. | 12 3 4 5 6 | |
| 03A | | CM107514 | R-AGUJA PULVERIZADORA SPILLO CONICO NEEDLE | DUESENNADELUSE AIGUILLE PULVERIZ. | 12 3 4 5 6 | |
| 04A | | 00H03206421 | R-PULVERIZADOR "208HA" POLVERIZZATORE NEEDLE JET | ZERSTAUBERDUSE PULVERISATEUR | 12 45 | |
| 04B | | 00H03204421 | PULVERIZADOR "208GA" POLVERIZZATORE NEEDLE JET | ZERSTAUBERDUSE PULVERISATEUR | 3 6 | UNTIL FRAME 9H433717 |
| 05A | | 00H03208031 | R-SURTIDOR MAXIMO 70 R-GETTO MASSIMO MAIN JET | HAUPT DUSE GICLEUR PRINCIPAL | 12 45 | |
| 05B | | 00H03215031 | SURTIDOR MAXIMO 63 R-GETTO MASSIMO MAIN JET | HAUPT DUSE GICLEUR PRINCIPAL | 3 6 | UNTIL FRAME 9H433717 |



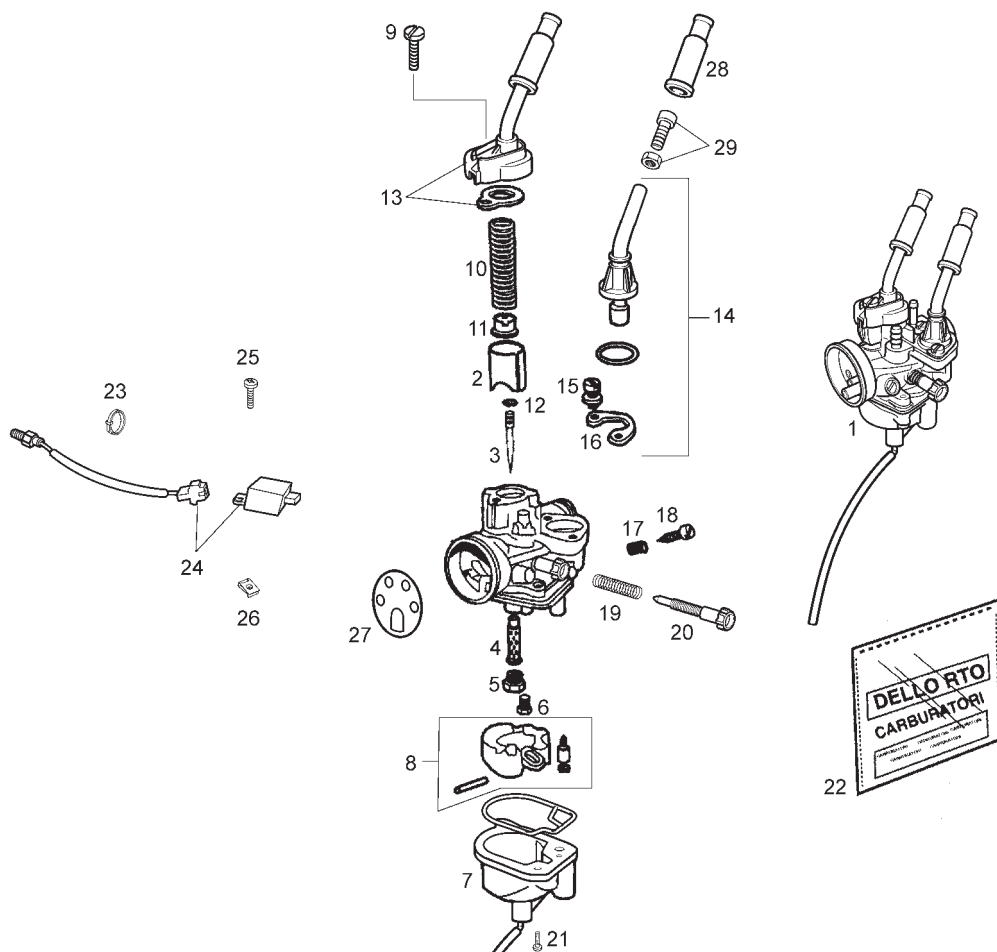
| Fig. | Ver. | COD. KOD. | DESCRIPCIÓN DENOMINAZIONE NAME | BEZEICHNUNG DESIGNATION | MOD. | NOTAS NOTES NOTA MITSCHRIFT NOTES |
|------|------|-------------|---|---|--------|-----------------------------------|
| 06A | | 00H04101181 | R-SURTIDOR MINIMO 32 R-GETTO MINIMO JET MIN | DUESE MIN. R-GICLEUR MINIMUM. | 12 45 | |
| 06B | | 00H04106181 | SURTIDOR MINIMO 33 R-GETTO MINIMO JET MIN | DUESE MIN. R-GICLEUR MINIMUM. | 3 6 | UNTIL FRAME 9H433717 |
| 07A | | 484704 | VASO GASOLINA VASCHETTA BENZINA FLOAT BOWL SEET | SCHWIMMERKAMMER CUVE INFERIEURE CARBUR. | 12 45 | |
| 07B | | 00H03201201 | VASO GASOLINA VASCHETTA BENZINA FLOAT BOWL SEET | SCHWIMMERKAMMER CUVE INFERIEURE CARBUR. | 3 6 | UNTIL FRAME 9H433717 |
| 08A | | 00H03204281 | R-KIT FLOTADOR R-GALLEGGIANTE FLOAT | SCHWIMMER R-FLOTTEUR. | 12 45 | |
| 08B | | 00H03202281 | KIT FLOTADOR R-GALLEGGIANTE FLOAT | SCHWIMMER R-FLOTTEUR. | 3 6 | UNTIL FRAME 9H433717 |
| 09A | | 00G03200061 | R-TORNILLO FIJ.TAPA CAM. MEZCLA R-VITE FISSAGIO COPERCHIO CAM. MIXING XAMBER COVER SECURING | BEF.-SCHRAUBE DECKEL MISCH R-BOUL.SER.COUV.CHAMBRE MEL | 123456 | |
| 10A | | 00G03201071 | R-MUELLE VALVULA GAS R-MOLLA VALVOLA GAS THROOTLE VALVE RETURN | FEDER FUR GASVENTIL R-RESSORT VALVE ESS. | 123456 | |
| 11A | | 00G03200511 | R-CASQUILLO AGUJA PULVERIZADOR GHIERA SPILLO CONICO NEEDLE BUSHING | BUCHSE DUESENNADEL R-DOUILLE AIGUI.PULVERZ. | 123456 | |
| 12A | | 00G03201371 | R-PINZA AGUJA PULVERIZADOR MORSA SPILLO CONICO NEEDLE CIRCLIP | KLAMMER DUESENNADEL R-PINCE AIGUI.PULVERZ. | 123456 | |
| 13A | | 00H03204231 | R-TAPA CAMARA MEZCLA R-COPERCHIO CAMARA MISCELA SE COVER CARBURETOR TOP | MISCHRAUMDECKEL COUVERCLE CARBURATEUR | 123456 | |



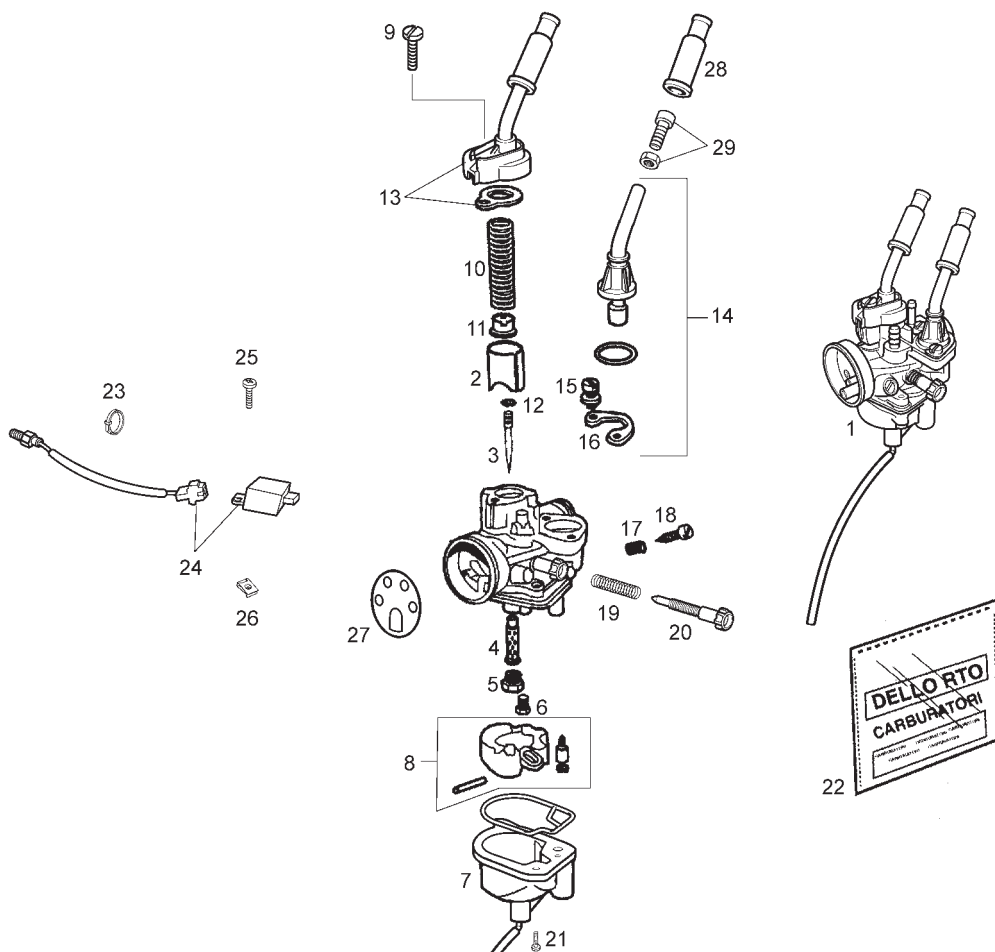
| Fig. | Ver. | COD. KOD. | DESCRIPCIÓN DENOMINAZIONE NAME | BEZEICHUNG DESIGNATION | MOD. | NOTAS NOTES NOTA MITSCHRIFT NOTES |
|------|------|-------------|---|---|-------------|-----------------------------------|
| 14A | | 00H03203711 | R-CTO STARTER R-STARTER CHOCKE LOCK | STARTERVENTIL VANNE DU STARTER MANUEL | 1 2 3 4 5 6 | |
| 15A | | 00G03200541 | R-TORNILLO FIJACION STARTER R-VITE FISSAGIO STARTER AV. AUTOMA.CHOCKE SEGURING SCREE | BEF.-SCHRAUBE AUTOM STARTER R-BOULON SER.START | 1 2 3 4 5 6 | |
| 16A | | 00G03200551 | R-PRECINTO FIJACION STARTER PIASTRINA FIS. STARTER AUTOMA.CHOCKE SEGURING SCREE | HALTERUNG AUTOM. STARTER R-PLOMBAGE FIX.START | 1 2 3 4 5 6 | |
| 17A | | 00G03200721 | R-MUELLE REGULACION AIRE MIN. MOLLA REG. ARIA IDLE ADJUSTER | FEDER LUFTREGLER MIN. R-RESSORT REG.AIR MIN. | 1 2 3 4 5 6 | |
| 18A | | 00G03200731 | R-TORNILLO REGULACION AIRE MIN. R-VIS REG.AIR.MIN. IDLE ADJUSTER SCREW | LUFT-REGULIERSCHRAUBE MIN. R-VIS REG.AIR MIN. | 1 2 3 4 5 6 | |
| 19A | | 00G03200101 | R-MUELLE REGULACION VALVULA GAS MOLLA REG. VALVOLA GAS THROOTLE VALVE ADJUSTE SPRING | FEDER GAS-VENTIL-REGELUNG R-RES.REG.VALVE ESS. | 1 2 3 4 5 6 | |
| 20A | 01 | 00G04102131 | R-TORNILLO REGULACION VALVULA GAS R-VITE FISSAGIO VASCHETTA THROOTLE VALVE ADJUSTER SCREW | SCHRAUBE GAS-VENTIL-REGELU R-VIS REG.VALV.ESS. | 1 2 3 4 5 6 | |
| 20A | | 828074 | R-TORNILLO REGULACION VALVULA GAS R-VITE FISSAGIO VASCHETTA THROOTLE VALVE ADJUSTER SCREW | SCHRAUBE GAS-VENTIL-REGELU R-VIS REG.VALV.ESS. | 1 2 3 4 5 6 | |
| 21A | | 00G03201091 | R-TORNILLO FIJACION VASO GASOLINA R-VITE FISSAGIO VASCHETTA BE FLOAT CHAMBER SEGURING SCREW | BEF.-SCHRAUBE R-BOUL.SERG.VASE ESSENC. | 1 2 3 4 5 6 | |
| 22A | | 00H04103771 | R-JUEGO JUNTAS CARBURADOR R-GUARNIZIONE CARBU. CARBURETOR GASKET | DICHTUNGSATZ KOMPL. VERGAS R-ENS. JOINTS CARBUR. | 1 2 3 4 5 6 | |
| 23A | | 00A00900531 | BRIDA FLANGIA UNIONE CAVI CLAMP | KLAMMER COLLIER | 3 6 | UNTIL FRAME 9H433717 |



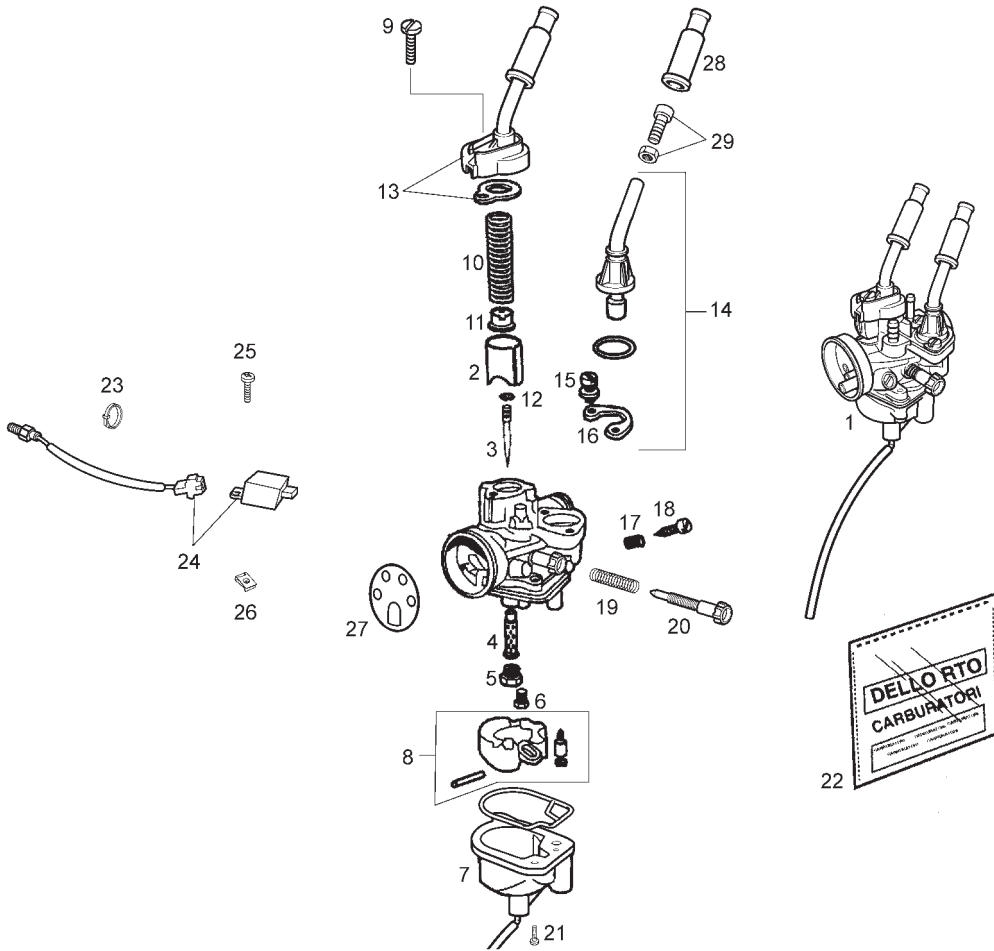
| Fig. | Ver. | COD. KOD. | DESCRIPCIÓN DENOMINAZIONE NAME | BEZEICHUNG DESIGNATION | MOD. | NOTAS NOTES NOTA MITSCHRIFT NOTES |
|------|------|-------------|--|---|------|-----------------------------------|
| 24A | | 00H06001151 | CTO KIT CALENTADOR CARBURADOR KIT RISCALDAMENTO KIT CARBURETTOR HEATER | KABELBAUN FUR HEIZUNG VERG KIT QUI CHAUFFE CARBURATEUR | 3 6 | |
| 25A | | 00F05900041 | SCTO TORNILLO 6M100X16 VITE SCREW | SCHRAUBE VIS | 3 6 | |
| 26A | | 00D01501371 | TUERCA FIJACION D6 DADO NUT | MUTTER ECROU | 3 6 | |



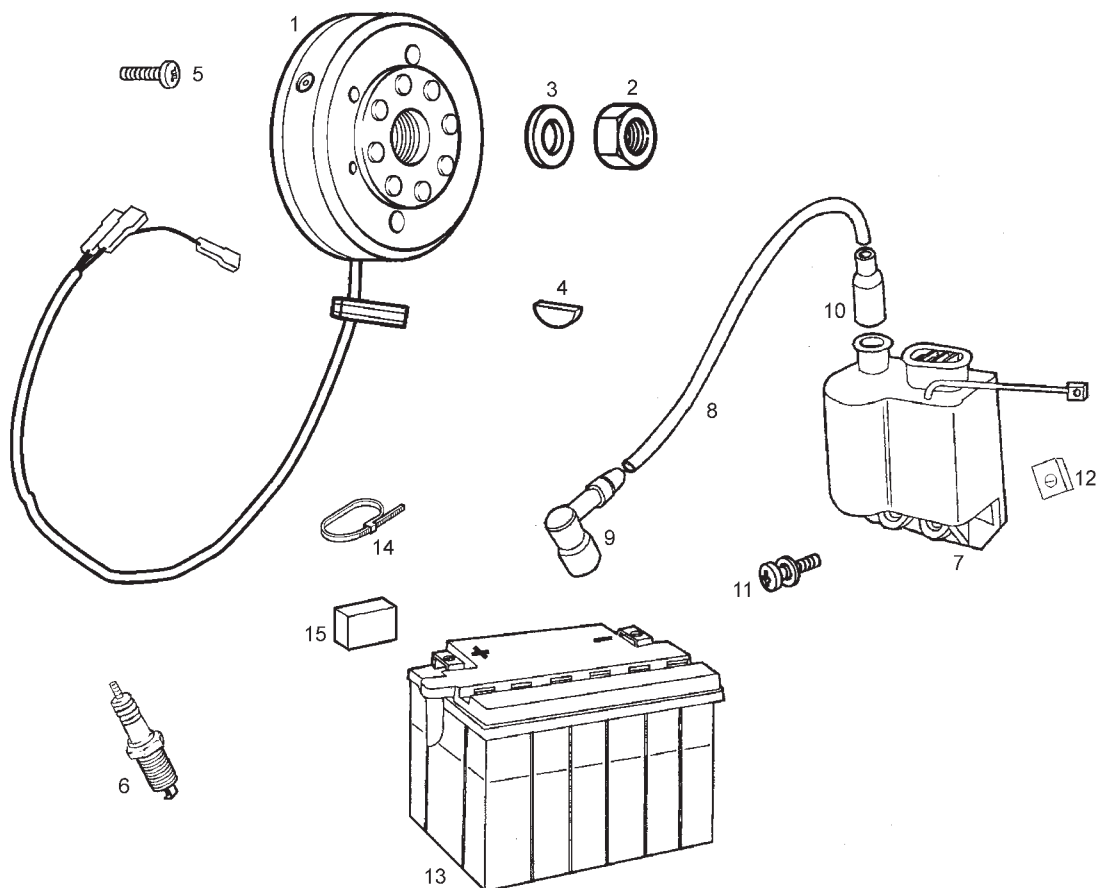
| Fig. | Ver. | COD. KOD. | DESCRIPCIÓN DENOMINAZIONE NAME | BEZEICHUNG DESIGNATION | MOD. | NOTAS NOTES NOTA MITSCHRIFT NOTES |
|------|------|-------------|--|--|------|-----------------------------------|
| 01A | | CM149906 | CTO CARBURADOR CARBURATORE CARBURETOR | VERGASER KOMPL ENSEMBLE CARBURATEUR | 3 6 | SINCE FRAME 9H433718 |
| 02A | | 00F03201211 | COMPUERTA GAS VALVOLA GAS SLIDE | GASSCHIEBER BOISSEAU | 3 6 | SINCE FRAME 9H433718 |
| 03A | | 00H03214431 | SPILLO CONICO SPILLO SPRUZZATORE NEEDLE | DUESENNADELUSE AIGUILLE PULVERIZ. | 3 6 | SINCE FRAME 9H433718 |
| 04A | | 00H03204421 | PULVERIZADOR "208GA" POLVERIZZATORE NEEDLE JET | ZERSTAUBERDUSE PULVERISATEUR | 3 6 | SINCE FRAME 9H433718 |
| 05A | | 00H03215031 | SURTIDOR MAXIMO 63 GETTO MASSIMO MAIN JET | HAUPT DUSE GICLEUR PRINCIPAL | 3 6 | SINCE FRAME 9H433718 |
| 06A | | 00H04106181 | SURTIDOR MINIMO 33 GETTO MINIMO JET MIN | DUESE MIN. GICLEUR MINIMUM. | 3 6 | SINCE FRAME 9H433718 |
| 07A | | 00H03201201 | VASO GASOLINA VASCHETTA BENZZINA FLOAT BOWL SEET | SCHWIMMERKAMMER CUVE INFERIEURE CARBUR. | 3 6 | SINCE FRAME 9H433718 |
| 08A | | 00H03202281 | KIT FLOTADOR GALLEGGIANTE FLOAT | SCHWIMMER FLOTTEUR. | 3 6 | SINCE FRAME 9H433718 |
| 09A | | 00G03200061 | TORNILLO FIJACION TAPA VITE FISSAGIO COPERCHIO CAM. MIXING XAMBER COVER SEGURING | BEF.-SCHRAUBE DECKEL MISC BOUL.SER.COUV.CHAMBRE MEL | 3 6 | SINCE FRAME 9H433718 |
| 10A | | 00G03201071 | MUELLE VALVULA GAS MOLLA VALVOLA GAS THROOTLE VALVE RETURN | FEDER FUR GASVENTIL RESSORT VALVE ESS. | 3 6 | SINCE FRAME 9H433718 |
| 11A | | 00G03200511 | CASQUILLO AGUJA PULVERIZADORA GHIERA SPILLO CONICO NEEDLE BUSHING | BUCHSE DUESENNADEL DOUILLE AIGUI.PULVERZ. | 3 6 | SINCE FRAME 9H433718 |



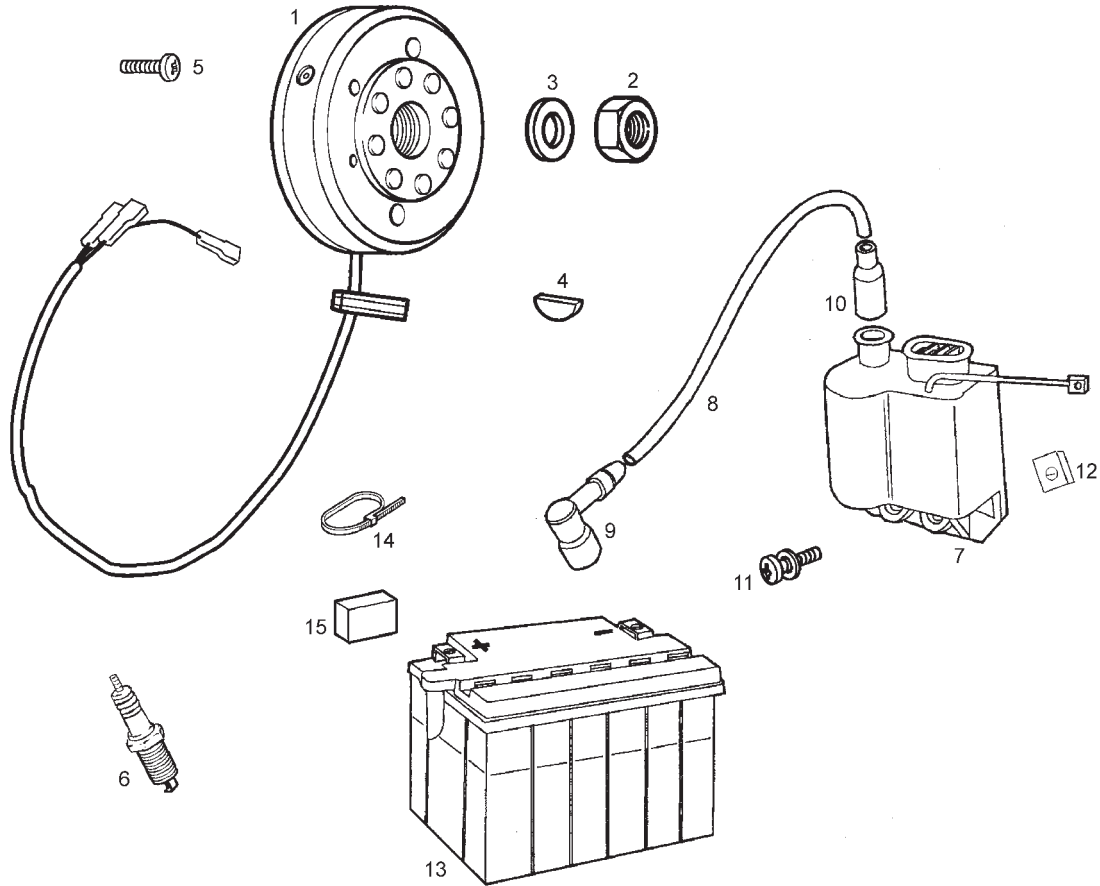
| Fig. | Ver. | COD. KOD. | DESCRIPCIÓN DENOMINAZIONE NAME | BEZEICHUNG DESIGNATION | MOD. | NOTAS NOTES NOTA MITSCHRIFT NOTES |
|------|------|-------------|---|---|------|-----------------------------------|
| 12A | | 00G03201371 | PINZA AGUJA PULVERIZADORA MORSA SPILLO CONICO NEEDLE CIRCLIP | KLAMMER DUESENNADEL PINCE AIGUI.PULVERZ. | 3 6 | SINCE FRAME 9H433718 |
| 13A | | 00H03204231 | TAPA CAMARA MEZCLA COPERCHIO CAMARA MISCELA SE COVER CARBURETOR TOP | MISCHRAUMDECKEL COUVERCLE CARBURATEUR | 3 6 | SINCE FRAME 9H433718 |
| 14A | | CM146204 | KIT STARTER MANUAL STARTER CHOCKE LOCK | STARTERVENTIL VANNE DU STARTER MANUEL | 3 6 | SINCE FRAME 9H433718 |
| 15A | | 00G03200541 | TORNILLO FIJACION STARTER VITE FISSAGIO STARTER AV. AUTOMA.CHOCKE SEGURING SCREE | BEF.-SCHRAUBEAUTOM STARTER BOULON SER.START.AUTOM. | 3 6 | SINCE FRAME 9H433718 |
| 16A | | 00G03200551 | PRECINTO FIJACION STARTER PIASTRINA FISSAGGIO STARTER AUTOMA.CHOCKE SEGURING SCREE | HALTERUNG AUTOM. STARTER A PLOMBAGE FIX.START.AUT. | 3 6 | SINCE FRAME 9H433718 |
| 17A | | 00G03200721 | MUELLE REGULACION AIRE MINIMO MOLLA REGOLAZIONE ARIA IDLE ADJUSTER | FEDER LUFTREGLER MIN. RESSORT REG.AIR MIN. | 3 6 | SINCE FRAME 9H433718 |
| 18A | | 00G03200731 | TORNILLO REGULACION AIRE MINIMO VIS REG.AIR.MIN. IDLE ADJUSTER SCREW | LUFT-REGULIERSCHRAUBE MIN. VIS REG.AIR MIN. | 3 6 | SINCE FRAME 9H433718 |
| 19A | | 00G03200101 | MUELLE REGULACION VALVULA GAS RES.REG.VALVE ESS. THROOTLE VALVE ADJUSTE SPRING | FEDER GAS-VENTIL-REGELUNG RES.REG.VALVE ESS. | 3 6 | SINCE FRAME 9H433718 |
| 20A | | 00G04102131 | TORNILLO REGULACION VALVULA GAS BOUTON VITE REGOLAZIONE VALVOLA THROOTLE VALVE ADJUSTER SCREW | SCHRAUBE GAS-VENTIL-REGELU VIS REG.VALV.ESS. | 3 6 | SINCE FRAME 9H433718 |
| 21A | | 00G03201091 | TORNILLO FIJACION VASO GASOLINA VITE FISSAGIO VASCHETTA BE FLOAT CHAMBER SEGURING SCREW | BEF.-SCHRAUBE BOUL.SERG.VASE ESSENC. | 3 6 | SINCE FRAME 9H433718 |
| 22A | | 00H04103771 | JUEGO JUNTAS CARBURADOR GUARNIZIONE CARBU. CARBURETOR GASKET | DICHTUNGSATZ KOMPL. VERGAS ENS. JOINTS CARBUR. | 3 6 | SINCE FRAME 9H433718 |



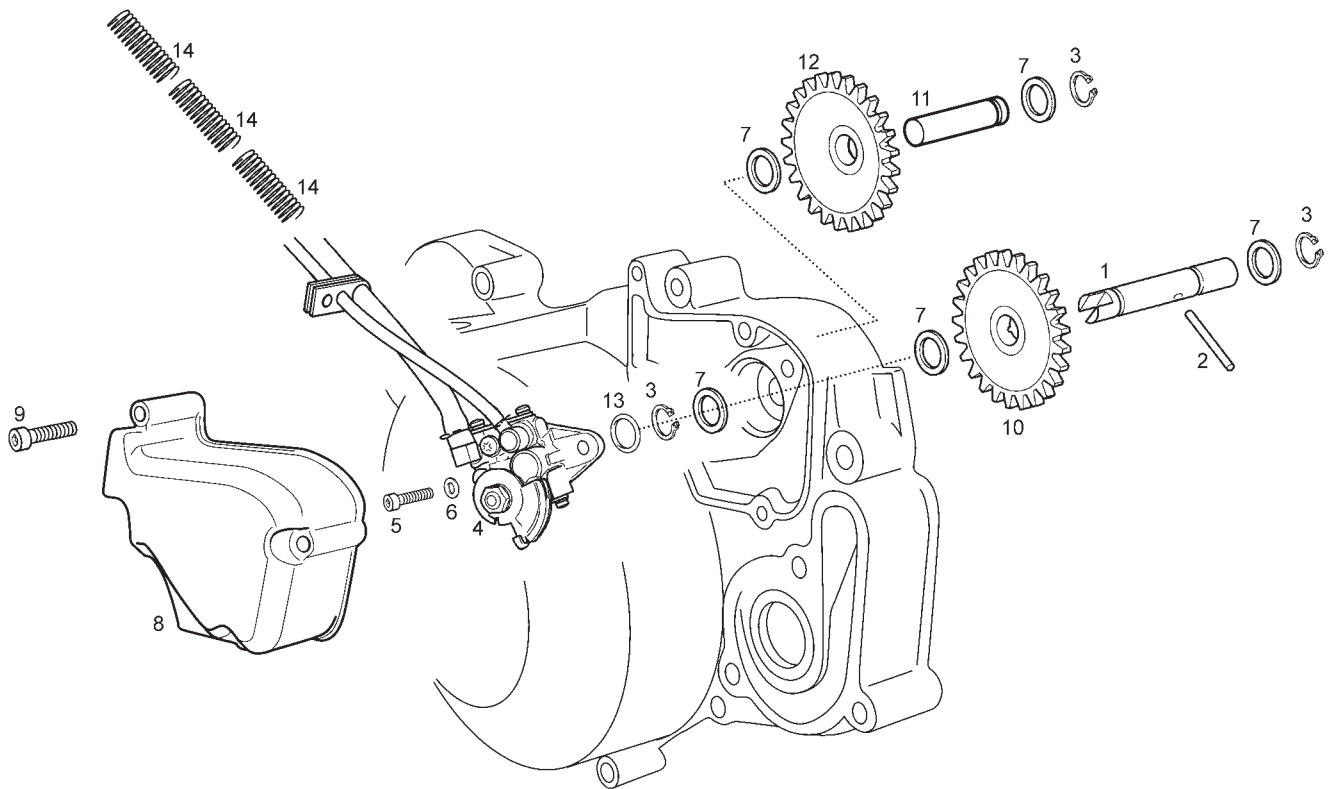
| Fig. | Ver. | COD. KOD. | DESCRIPCIÓN DENOMINAZIONE NAME | BEZEICHNUNG DESIGNATION | MOD. | NOTAS NOTES NOTA MITSCHRIFT NOTES |
|------|------|-------------|--|---|------|-----------------------------------|
| 23A | | 00A00900531 | BRIDA FLANGIA UNIONE CAVI CLAMP | KLAMMER COLLIER | 3 6 | SINCE FRAME 9H433718 |
| 24A | | 00H06001151 | CTO KIT CALENTADOR CARBURADOR KIT RISCALDAMENTO KIT CARBURETTOR HEATER | KABELBAUN FUR HEIZUNG VERG KIT QUI CHAUFFE CARBURATEUR | 3 6 | SINCE FRAME 9H433718 |
| 25A | | 00F05900041 | SCTO TORNILLO 6M100X16 VITE SCREW | SCHRAUBE VIS | 3 6 | SINCE FRAME 9H433718 |
| 26A | | 00D01501371 | TUERCA FIJACION D6 DADO NUT | MUTTER ECROU | 3 6 | SINCE FRAME 9H433718 |
| 27A | | 827892 | CALIBRADOR DE AIRE CALIBRATORE AIR GAUGE | SCHUBLEHRE JAUGE D'AIR | 3 6 | SINCE FRAME 9H433718 |
| 28A | | 289903 | CAPUCHON CAPPuccio PROTECTOR | KAPPE CAPUCHON | 3 6 | SINCE FRAME 9H433718 |
| 29A | | 288868 | TORNILLO VITE SCREW | SCHRAUBE VIS | 3 6 | SINCE FRAME 9H433718 |



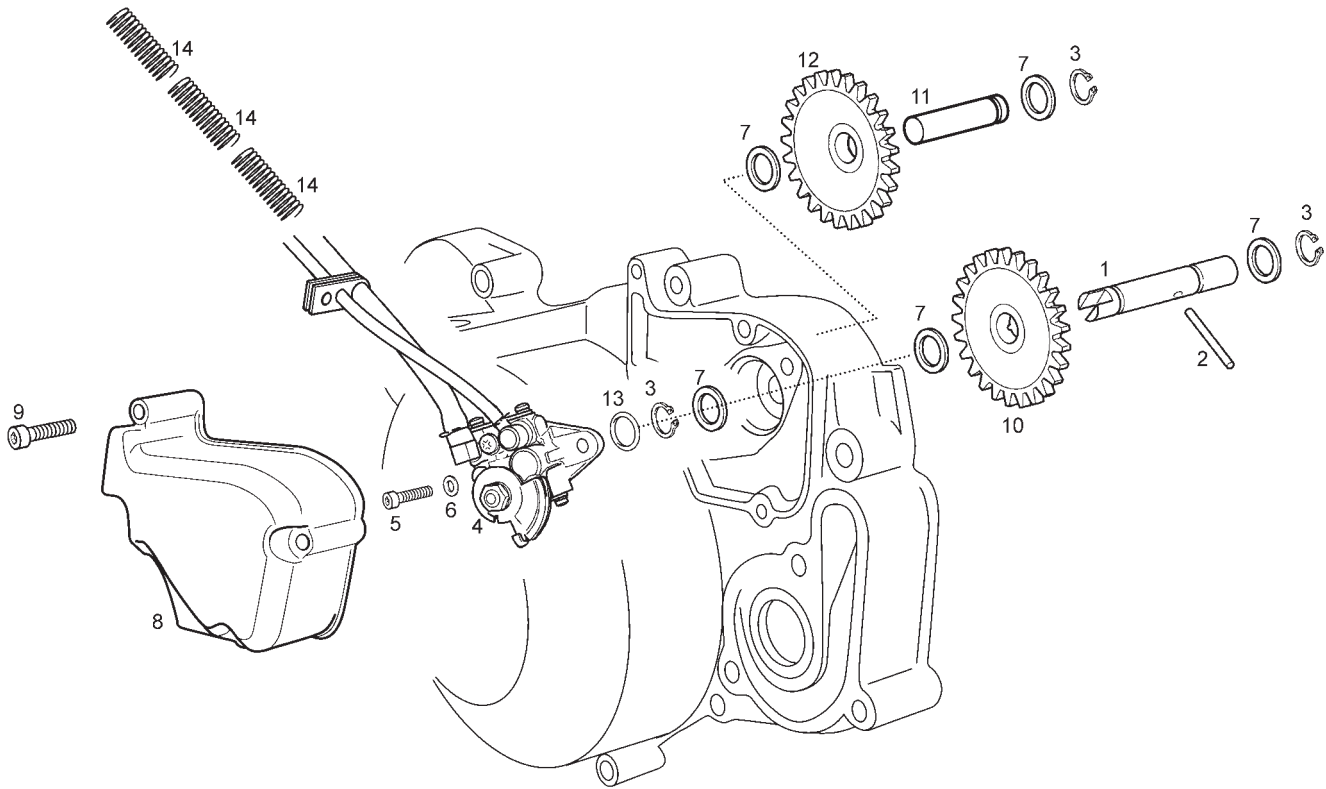
| Fig. | Ver. | COD. KOD. | DESCRIPCIÓN DENOMINAZIONE NAME | BEZEICHNUNG DESIGNATION | MOD. | NOTAS NOTES NOTA MITSCHRIFT NOTES |
|------|------|-------------|--|---|-------------|-----------------------------------|
| 01A | | 82829R | CTO VOLANTE MAGNETICO VOLANO ELETTRONICO MAGNETO ASSEMBLY | LICHTMASCHINE KOMPL. VOLANT MAGNETIQUE | 1 2 3 4 5 6 | |
| 02A | | 847235 | TUERCA FIJACION VOLANTE.MAGN. DADO NUT | MUTTER ECROU | 1 2 3 4 5 6 | |
| 03A | | 847234 | ARANDELA FIJ. VOLANTE.MAGN RONDELLA WASHER | SCHEIBE RONDELLE | 1 2 3 4 5 6 | |
| 04A | | 847215 | CHAVETA VOLANTE MAGNETICO SPINA VOLANO MAGNETICO .P.REC. KEY, FLYWHEEL | KEIL CLAVETTE VOLANT MAGNETIQUE | 1 2 3 4 5 6 | |
| 05A | 01 | 847233 | TORNILLO FIJ.VOLTE.MAGN.5M80X10. VITE SCREW | SCHRAUBE VIS | 1 2 3 4 5 6 | |
| 05A | | 00003133260 | TORNILLO FIJ.VOLTE.MAGN.5M80X10. VITE SCREW | SCHRAUBE VIS | 1 2 3 4 5 6 | |
| 06A | | 847085 | BUJIA CANDELA SPARK PLUG | KERZE BOUGIE | 1 2 3 4 5 6 | |
| 07A | | 00H03330171 | CTO CONVERSION ELECTRONICO COVERTITORE ELETTRON COIL, PRIMARY IGNITION | ZUNDSPULE BOBINE AUTE TENSION | 12 45 | EXCEPT DENMARK |
| 07B | | 00H03334171 | CTO CONVERSION ELECTRONICO COVERTITORE ELETTRON COIL, PRIMARY IGNITION | ZUNDSPULE BOBINE AUTE TENSION | 3 6 | |
| 07C | | 00H03334171 | CTO CONVERSION ELECTRONICO COVERTITORE ELETTRON COIL, PRIMARY IGNITION | ZUNDSPULE BOBINE AUTE TENSION | 2 5 | ONLY DENMARK |
| 08A | | 00F03310741 | CABLE BOBINA CAVO BOBINA CABLE COIL PRIMARY IGNITION | ZUNDSPULENKABEL CABLE | 1 2 3 4 5 6 | |



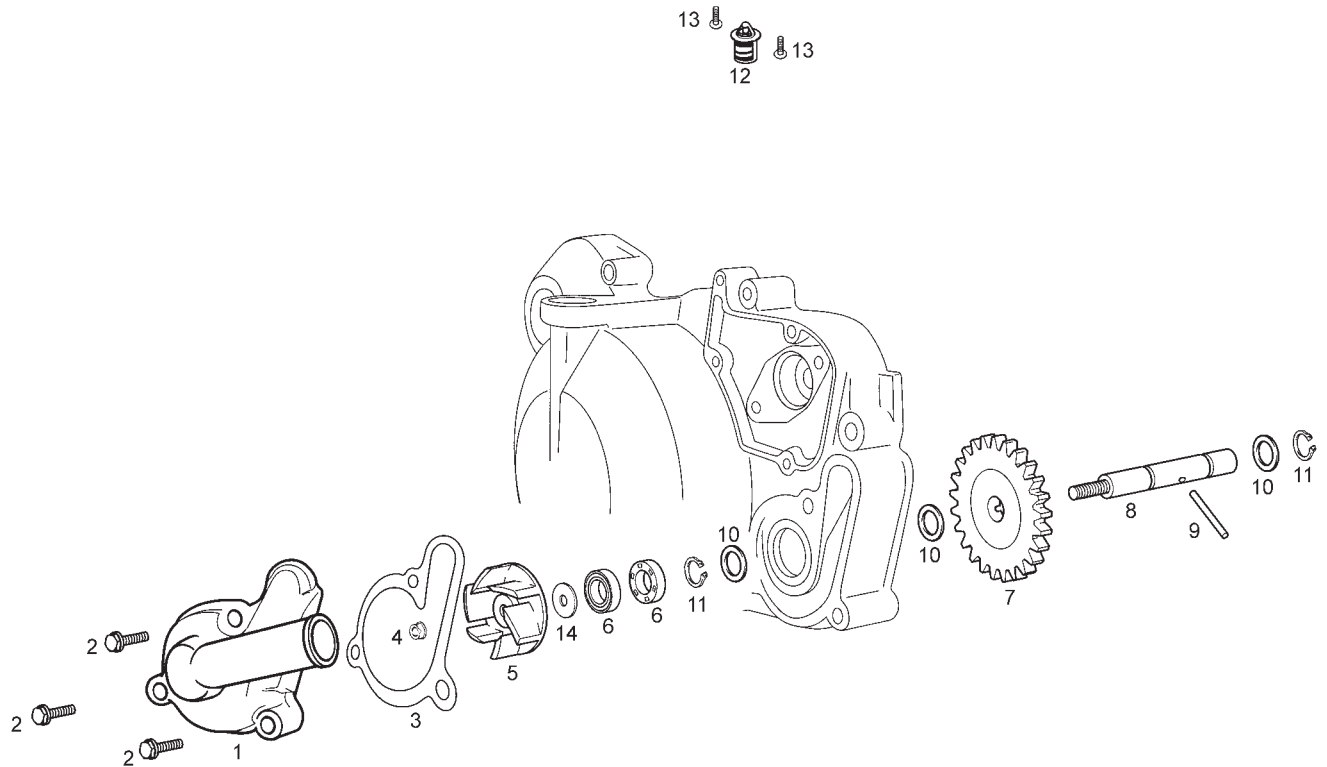
| Fig. | Ver. | COD. KOD. | DESCRIPCIÓN DENOMINAZIONE NAME | BEZEICHNUNG DESIGNATION | MOD. | NOTAS NOTES NOTA MITSCHRIFT NOTES |
|------|------|-------------|---|---|-------------|-----------------------------------|
| 09A | | 00G03301271 | CTO. PIPA BUJIA PIPETA CANDELA COVER, SPARK PLUG | ZUNDKERZENSTECRER PIPE DE BOUGIE | 1 2 3 4 5 6 | |
| 10A | 01 | 00F03300731 | CAPUCHON CABLE BOBINA CAPPuccio CAVO BOBINA COIL CABLE RUBBER PROTECTOR | KAPPE CAPUCHON | 1 2 3 4 5 6 | |
| 10A | | 00G03301731 | CAPUCHON CABLE BOBINA CAPPuccio CAVO BOBINA COIL CABLE RUBBER PROTECTOR | KAPPE CAPUCHON | 1 2 3 4 5 6 | |
| 11A | | 00G06800021 | SCTO. TORNILLO 6M100X20 VITE SCREW | SCHRAUBE VIS | 1 2 3 4 5 6 | |
| 12A | | 00D01501371 | TUERCA FIJACION D6 DADO NUT | MUTTER ECROU | 1 2 3 4 5 6 | |
| 13A | | 00G03301401 | BATERIA 12V BATTERIA BATTERY | BATTERIE BATTERIE | 1 2 3 4 5 6 | |
| 14A | | 00F00900531 | BRIDA 290 X 4,8 FASCETTA FISSAGGIO RUBINETTO FUEL COCK SECURING CLAMP | BEF.-SCHELLE F.HAHN BRIDE FIXATION ROBINET | 1 2 3 4 5 6 | |
| 15A | | 00H06300771 | TOPE BATERIA FERMO STOP | ANSCHLAG BUTEE | 1 2 3 4 5 6 | |



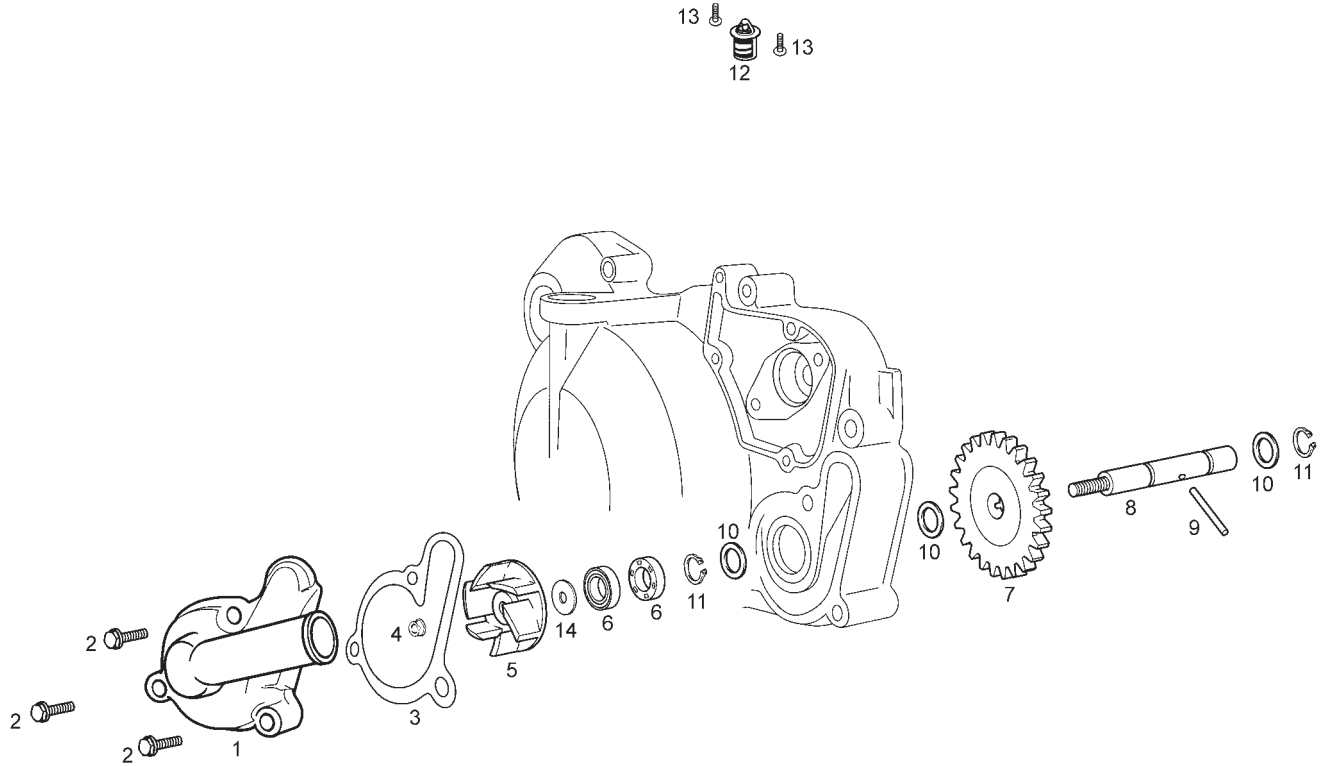
| Fig. | Ver. | COD. KOD. | DESCRIPCIÓN DENOMINAZIONE NAME | BEZEICHNUNG DESIGNATION | MOD. | NOTAS NOTES NOTA MITSCHRIFT NOTES |
|------|------|-------------|--|--|-------------|-----------------------------------|
| 01A | | 847052 | EJE BOMBA ACEITE ASSE POMPA OLIO PUMPOIL AXLE | OLPUMPUNACHSE AXE DE POMPE D,HUILLE | 1 2 3 4 5 6 | |
| 02A | | 847184 | PASADOR EJE BOMBA CHIAVISTELLO SOSTEGNO SPIRALE FORK PIN | STIFT GOUDILLE | 1 2 3 4 5 6 | |
| 03A | | 847182 | ANILLO SEGURIDAD EJES D8 ANELLO SICUREZZA CIRCLIP | SEEGERRING CIRCLIP | 1 2 3 4 5 6 | |
| 04A | | 847055 | CTO. BOMBA ACEITE POMPA OLIO OIL PUMP | OLPUMPE POMPE A HUILLE | 1 2 3 4 5 6 | |
| 05A | 01 | 847227 | TORNILLO C/ALLEN 5M80X15 VITE SCREW | SCHRAUBE VIS | 1 2 3 4 5 6 | |
| 05A | | 00002051551 | TORNILLO C/ALLEN 5M80X15 VITE SCREW | SCHRAUBE VIS | 1 2 3 4 5 6 | |
| 06A | 01 | 847226 | ARANDELA D5 RONDELLA WASHER | SCHEIBE RONDELLE | 1 2 3 4 5 6 | |
| 06A | | 00000031050 | ARANDELA D5 RONDELLA WASHER | SCHEIBE RONDELLE | 1 2 3 4 5 6 | |
| 07A | | 847183 | ARANDELA TOPE PIÑON INTERMEDIO RONDELLA WASHER | SCHEIBE RONDELLE | 1 2 3 4 5 6 | |
| 08A | | 00H03706011 | TAPA BOMBA ACEITE COPERCHIO COVER | DECKEL COUVERCLE | 1 2 3 4 5 6 | |
| 09A | | 00004154000 | TORNILLO C/ALLEN 5M80X40 VITE SCREW | SCHRAUBE VIS | 1 2 3 4 5 6 | |



| Fig. | Ver. | COD. KOD. | DESCRIPCIÓN DENOMINAZIONE NAME | BEZEICHNUNG DESIGNATION | MOD. | NOTAS NOTES NOTA MITSCHRIFT NOTES |
|------|------|--------------|--|----------------------------|-------------|---|
| 10A | | 847051 | PIÑÓN BOMBA ACEITE Z25 PIGNONE GEAR | ZAHNRAD PIGNON | 1 2 3 4 5 6 | |
| 11A | | 847076 | EJE PIÑONES INTERMEDIOS ASSE AXLE | ACHSE AXE | 1 2 3 4 5 6 | |
| 12A | | 847053 | PIÑÓN INTERMEDIO BOMBA Z13/24 PIGNONE GEAR | ZAHNRAD PIGNON | 1 2 3 4 5 6 | |
| 13A | | 311163 | JUNTA BOMBA ACEITE GUARNIZIONE GASKET | DICHTUNG JOINT | 1 2 3 4 5 6 | |
| 14A | | 00H03701511 | MUELLE PROTECCION TUBO ACEITE MOLLA SPRING | FEDER RESSORT | 1 2 4 5 | |



| Fig. | Ver. | COD. KOD. | DESCRIPCIÓN DENOMINAZIONE NAME | BEZEICHUNG DESIGNATION | MOD. | NOTAS NOTES NOTA MITSCHRIFT NOTES |
|------|------|-------------|---|---|-------------|-----------------------------------|
| 01A | | CM150802 | TAPA BOMBA AGUA COPERCHIO POMPA ACQUA WATER PUMP COVER | DECKEL F. WASSERPUMPE COUVERCLE DE POMPE D,EAU | 1 2 3 4 5 6 | |
| 02A | 01 | CM149805 | TORNILLO FIJACION 6X30 Zn.B VITE SCREW | SCHRAUBE VIS | 1 2 3 4 5 6 | |
| 02A | | 00G03900821 | TORNILLO FIJACION 6X30 Zn.B VITE SCREW | SCHRAUBE VIS | 1 2 3 4 5 6 | |
| 03A | | 871688 | JUNTA TAPA BOMBA AGUA GUARNIZIONE COPERCHIO GASKET | DICHTUNG F. WASSERPUMPENDE JOINT | 1 2 3 4 5 6 | |
| 04A | | 847067 | TUERCA 5M80 LATON DADO NUT | MUTTER ECROU | 1 2 3 4 5 6 | |
| 05A | | 847079 | RODETE BOMBA AGUA ROCCHETTO POMPA ACQUA WATER PUMP ROLLER | LAUFER F. WASSERPUMP CHIGNON POMPE D,EAU | 1 2 3 4 5 6 | |
| 06A | | 847077 | RETEN EJE BOMBA GIUNTO TENUTA SEAL | DICHTRING JOINT | 1 2 3 4 5 6 | |
| 07A | | 847080 | PIÑÓN BOMBA AGUA Z-32 PIGNONE GEAR | ZAHNRAD PIGNON | 1 2 3 4 5 6 | |
| 08A | | 847078 | EJE BOMBA AGUA ASSE POMPA ACQUA WATER-PUMP SHAFT | WASSERPUMPENACHSE AXE POMPE D,AEU | 1 2 3 4 5 6 | |
| 09A | | 847184 | PASADOR EJE BOMBA CHIAVISTELLO SOSTEGNO SPIRALE FORK PIN | STIFT GOUDILLE | 1 2 3 4 5 6 | |
| 10A | | 847183 | ARANDELA TOPE PIÑÓN INTERMEDIO RONDELLA WASHER | SCHEIBE RONDELLE | 1 2 3 4 5 6 | |



| Fig. | Ver. | COD. KOD. | DESCRIPCIÓN DENOMINAZIONE NAME | BEZEICHNUNG DESIGNATION | MOD. | NOTAS NOTES NOTA MITSCHRIFT NOTES |
|------|------|-------------|---|--------------------------|-------------|-----------------------------------|
| 11A | | 847182 | ANILLO SEGURIDAD D8 ANELLO SICUREZZA CIRCLIP | SEEGERRING CIRCLIP | 1 2 3 4 5 6 | |
| 12A | | 483395 | INTERRUPTOR TERMICO INTERRUPTORE TERMICO THERMIC SWITCH | SCHALTER INTERRUPTEUR | 1 2 3 4 5 6 | |
| 13A | | 847176 | TORNILLO C/RED CRUZ NEGRO VITE SCREW | SCHRAUBE VIS | 1 2 3 4 5 6 | |
| 14A | 01 | 847181 | ARANDELA RONDELLA WASHER | SCHEIBE RONDELLE | 1 2 3 4 5 6 | |
| 14A | | 00D02600631 | ARANDELA RONDELLA WASHER | SCHEIBE RONDELLE | 1 2 3 4 5 6 | |

| Fig. | Ver. | COD. KOD. | DESCRIPCIÓN DENOMINAZIONE NAME | BEZEICHNUNG DESIGNATION | MOD. | NOTAS NOTES NOTA MITSCHRIFT NOTES |
|------|------|--------------|--|----------------------------|-------------|---|
| 01A | | 00H05400451 | ÚTIL MONTAJE RETENES CIGÜEÑAL CRANKSHAFT OIL SEAL FITTIN TOOL UTENSILE MONTAGGIO FERMI ALBERO A GOMITE | | 1 2 3 4 5 6 | |
| 02A | | 00H05400581 | ÚTIL MONTAJE RETÉN EJE ARRANQUE STARTER SHAFT OIL SEAL FITTIN TOOL UTENSILE MONTAGGIO FERMO ASSE AVVIAMENTO | | 1 2 3 4 5 6 | |
| 03A | | 00H05401561 | ÚTIL MONTAJE RETÉN EJE SELECTOR SELECTOR SHAFT OIL SEAL FITTIN TOOL UTENSILE MONTAGGIO FERMO ASSE SELETTORE | | 1 2 3 4 5 6 | |
| 04A | | 00H05300041 | ÚTIL FIJACIÓN CAMPANA DE EMBRAGUE CLUTHC BELL HOUSING SECURING TOOL UTENSILE FISSAGGIO CAMPANA FRIZIONE | | 1 2 3 4 5 6 | |
| 05A | | 00H05600241 | ÚTIL MONTAJE CASQUILLO DE AGUJAS EJE PRIMARIO PRIMARY SHAFT NEEDLE BUSH FITTING TOOL UTENSILE MONTAGGIO CAPUCCHIO AGHI ASSE PRIMARIO | | 1 2 3 4 5 6 | |
| 06A | | 00H05300151 | EMPUJADOR ABRIR MOTOR ENGINE OPENING PUSHER ELEMENTO DI SPINTA PER APRIRE IL MOTORE | | 1 2 3 4 5 6 | |
| 07A | | 00H05600351 | PIVOTE GUÍA RETÉN EJE SECUNDARIO GPR GPR SECONDARY SHAFT OIL SEAL GUIDE PIVOT PERNO GUIDA FERMO ASSE SECONDARIO GPR | | 1 2 3 4 5 6 | |
| 08A | | 00F05300021 | EXTRACTOR VOLANTE MAGNÉTICO ALTERNADOR ALTERNATOR MAGNETO EXTRACOR ESTRATTORE VOLANTE MAGNETICO ALTERNATORE | | 1 2 3 4 5 6 | |
| 09A | | 00G05300011 | BLOQUEADOR GIRO VOLANTE MAGNÉTICO ALTERNADOR ALTERNATOR MAGNETO TURN LOCKER BLOCANTE GIRO VOLANTE MAGNETICO ALTERNATORE | | 1 2 3 4 5 6 | |
| 10A | | 00D05310091 | PIÑÓN MOTOR SENDA SENDA ENGINE PINION PIGNONE MOTORE SENDA | | 1 2 3 4 5 6 | |
| 11A | | 00H05600421 | RETÉN EXTERIOR BOMBA DE AGUA WATER PUMP EXTERIOR OIL SEAL FERMO ESTERNO POMPA ACQUA | | 1 2 3 4 5 6 | |
| 12A | | 00H05600431 | RETÉN INTERIOR BOMBA DE AGUA WATER PUMP INTERIOR OIL SEAL FERMO INTERIOR POMPA ACQUA | | 1 2 3 4 5 6 | |
| 13A | | 00H05100101 | ÚTIL TRABAR PIÑÓN MOTOR ENGINE PINION FASTENING TOOL UTENSILE PER UNIRE IL PIGNONE MOTORE | | 1 2 3 4 5 6 | |
| 14A | | 00H05401451 | JAULA EJE CONTRAPESO COUNTERWEIGHT SHAFT CAGE GABBIA ASSE CONTRAPPESO | | 1 2 3 4 5 6 | |
| 15A | | 00H05400461 | RETÉN EJE CONTRAPESO COUNTERWEIGHT SHAFT OIL SEAL FERMO ASSE CONTRAPPESO | | 1 2 3 4 5 6 | |
| 16A | | 00H05601261 | PIVOTE GUÍA EJE BOMBA AGUA WATER PUMP SHAFT WATER GUIDE PIVOT PERNO GUIDA ASSE POMPA ACQUA | | 1 2 3 4 5 6 | |
| 17A | | 00H05301841 | PIVOTE GUÍA RETÉN EJE CIGÜEÑAL CRANKSHAFT JOURNAL OIL SEAL GUIDE PIVOT PERNO GUIDA FERMO ASSE ALBERO A GOMITO | | 1 2 3 4 5 6 | |

| CODIGO CODE | Lám. Diagr. | Figr. | Vers. | CODIGO CODE | Lám. Diagr. | Figr. | Vers. | CODIGO CODE | Lám. Diagr. | Figr. | Vers. | CODIGO CODE | Lám. Diagr. | Figr. | Vers. |
|-------------|-------------|-------|-------|-------------|-------------|-------|-------|-------------|-------------|-------|-------|--------------|-------------|-------|-------|
| 00000004510 | 18 | 24B | | 00012045000 | 07 | 40B | | 00D01501371 | 04 | 28A | | 00G03200721 | 21B | 17A | |
| 00000004612 | 13 | 15A | | 00012051200 | 07 | 44A | | 00D01501371 | 05 | 08A | | 00G03200731 | 21A | 18A | |
| 00000012415 | 12 | 09A | | 00012053000 | 07 | 40A | | 00D01501371 | 07 | 14A | | 00G03200731 | 21B | 18A | |
| 00000013510 | 18 | 05A | | 00012061000 | 03 | 23A | | 00D01501371 | 13 | 06A | | 00G03201071 | 21A | 10A | |
| 00000021080 | 06 | 13A | | 00012061200 | 03 | 07A | | 00D01501371 | 21A | 26A | | 00G03201071 | 21B | 10A | |
| 00000023051 | 07 | 12A | | 00012061200 | 04 | 20A | | 00D01501371 | 21B | 26A | | 00G03201091 | 21A | 21A | |
| 00000023060 | 07 | 28A | | 00012061200 | 05 | 24A | | 00D01501371 | 22 | 12A | | 00G03201091 | 21B | 21A | |
| 00000023060 | 09 | 09A | | 00012062500 | 04 | 42A | | 00D01520096 | 01 | 20A | | 00G03201371 | 21A | 12A | |
| 00000031040 | 18 | 25A | | 00012082001 | 12 | 05A | | 00D01540456 | 01 | 21A | | 00G03201371 | 21B | 12A | |
| 00000031050 | 03 | 14A | | 00012082001 | 12 | 14A | | 00D02100901 | 06 | 22A | | 00G03204272 | 04 | 13A | |
| 00000031050 | 05 | 21A | | 00012151500 | 10 | 24A | | 00D02600631 | 10 | 26A | | 00G03301271 | 22 | 09A | |
| 00000031050 | 07 | 45A | | 00012152000 | 05 | 23A | | 00D02600631 | 11 | 03A | | 00G03301401 | 22 | 13A | |
| 00000031050 | 18 | 25B | | 00012152000 | 11 | 02A | | 00D02600631 | 12 | 12A | | 00G03301731 | 22 | 10A | |
| 00000031050 | 23 | 06A | | 00012161600 | 04 | 30A | | 00D02600631 | 13 | 23A | | 00G03800741 | 13 | 24A | |
| 00000031080 | 06 | 10A | | 00014041200 | 06 | 09A | | 00D02600631 | 24 | 14A | | 00G03801561A | 13 | 04A | |
| 00000036100 | 19 | 17A | | 00022083021 | 08 | 21A | | 00D03210491 | 04 | 27B | | 00G03801701 | 13 | 12A | |
| 00000047110 | 16 | 17A | | 00022084021 | 01 | 04A | | 00D03700131 | 04 | 12A | | 00G03801701 | 13 | 34A | |
| 00000047111 | 19 | 03A | | 00022084521 | 01 | 07A | | 00D05310091 | 25 | 10A | | 00G03900821 | 20 | 19A | |
| 00000056205 | 01 | 14A | | 00023108000 | 01 | 05A | | 00D05910081 | 04 | 34A | | 00G03900821 | 24 | 02A | |
| 00000061040 | 19 | 18A | | 00023108000 | 10 | 20A | | 00D05910081 | 07 | 17A | | 00G04102131 | 21A | 20A | 01 |
| 00000326260 | 16 | 06A | | 00023108000 | 12 | 07A | | 00D05910081 | 12 | 13A | | 00G04102131 | 21B | 20A | |
| 00001113192 | 09 | 04A | | 00023112000 | 03 | 13A | | 00F00400131 | 04 | 07A | 01 | 00G04400752 | 05 | 12A | |
| 00001130370 | 20 | 15A | | 00026005000 | 07 | 15A | | 00F00400771 | 04 | 08A | | 00G04401462 | 05 | 04A | |
| 00002028770 | 17 | 08A | | 00031086022 | 08 | 24A | | 00F00403321 | 04 | 14A | | 00G04401462 | 07 | 38A | |
| 00002028770 | 19 | 01A | | 00031106000 | 02A | 22A | | 00F00900531 | 07 | 22A | | 00G04401462 | 10 | 25A | |
| 00002041050 | 18 | 24A | | 00031106000 | 02A | 21A | | 00F00900531 | 10 | 10A | | 00G04700141 | 08 | 20A | |
| 00002051551 | 23 | 05A | | 00031106000 | 07 | 21A | | 00F00900531 | 22 | 14A | | 00G04700141 | 10 | 23A | |
| 00002061011 | 13 | 39A | | 00031106000 | 07 | 25A | | 00F00902291 | 06 | 06A | | 00G05300011 | 25 | 09A | |
| 00002061011 | 20 | 12A | | 00034000802 | 08 | 23A | | 00F00910291 | 06 | 16A | | 00G06300671 | 05 | 07A | |
| 00002062011 | 12 | 04A | | 00036008000 | 01 | 02A | | 00F00920551 | 06 | 18A | | 00G06800021 | 22 | 11A | |
| 00002062511 | 17 | 09A | | 00037000600 | 19 | 21A | | 00F01210312 | 09 | 12A | | 00H00204601 | 02A | 04A | |
| 00002082021 | 11 | 10A | | 00047030400 | 04 | 04A | | 00F03201211 | 21A | 02B | | 00H00204601 | 02A | 04A | |
| 00002125170 | 15 | 17A | | 00047030900 | 19 | 16A | | 00F03201211 | 21B | 02A | | 00H00300912 | 03 | 21A | |
| 00002182000 | 09 | 08A | | 00052062011 | 16 | 09A | | 00F03300731 | 22 | 10A | 01 | 00H00301401 | 03 | 05A | |
| 00002212070 | 08 | 10A | | 00058120100 | 08 | 04A | | 00F03310741 | 22 | 08A | | 00H00303892 | 03 | 11A | |
| 00002212070 | 09 | 21A | | 00058120100 | 09 | 05A | | 00F03700131 | 15 | 21A | | 00H00308972 | 03 | 01A | |
| 00002215152 | 01 | 25A | | 00073481964 | 04 | 31A | | 00F03710131 | 04 | 16A | | 00H00400501 | 13 | 20A | |
| 00002503230 | 03 | 04A | | 00232120032 | 08 | 16A | | 00F03710131 | 13 | 07A | | 00H00400501 | 13 | 33A | |
| 00002518790 | 01 | 17A | | 00262080022 | 01 | 08A | | 00F03710241 | 13 | 27A | | 00H00403831 | 04 | 44A | |
| 00003102280 | 20 | 13A | | 00262100032 | 01 | 27A | | 00F04201361 | 12 | 10A | | 00H00404051 | 04 | 24A | |
| 00003112322 | 03 | 03A | | 00262120032 | 03 | 24A | | 00F04700121 | 08 | 25A | | 00H00404687 | 04 | 01A | |
| 00003112322 | 08 | 03A | | 00262120032 | 09 | 13A | | 00F04700121 | 10 | 27A | | 00H00406011 | 04 | 09A | |
| 00003115422 | 03 | 12A | | 00402060001 | 09 | 03A | | 00F05300021 | 25 | 08A | | 00H00406521 | 04 | 43A | |
| 00003127200 | 19 | 19A | | 00402080001 | 01 | 03A | | 00F05900041 | 05 | 10A | | 00H00501761 | 05 | 25A | |
| 00003133260 | 22 | 05A | | 00402080001 | 08 | 22A | | 00F05900041 | 21A | 25A | | 00H00600341 | 04 | 18A | |
| 00003306570 | 01 | 28A | | 00402080001 | 10 | 18A | | 00F05900041 | 21B | 25A | | 00H00604141 | 04 | 02A | |
| 00003710110 | 07 | 04A | | 00402080001 | 12 | 06A | | 00G00200112 | 02A | 25A | | 00H00705121 | 05 | 13A | |
| 00003710120 | 07 | 05A | | 00402100001 | 01 | 23A | | 00G00200112 | 02A | 24A | | 00H00712023 | 05 | 01B | |
| 00004053500 | 07 | 32A | | 00442060002 | 17 | 10A | | 00G00400181 | 04 | 11A | | 00H00712341 | 05 | 11A | |
| 00004061600 | 06 | 23A | | 00A00900531 | 21A | 23A | | 00G00400501 | 04 | 10A | | 00H00714026 | 05 | 01A | |
| 00004154000 | 23 | 09A | | 00A00900531 | 21B | 23A | | 00G00400501 | 13 | 30A | | 00H00800422 | 01 | 13A | |
| 00004162500 | 19 | 20A | | 00D00200761 | 02A | 26A | | 00G00401131 | 04 | 07A | | 00H00804081 | 01 | 10A | |
| 00005010760 | 06 | 25A | | 00D00200761 | 02A | 25A | | 00G00901661 | 06 | 28A | | 00H00805072 | 01 | 12A | |
| 00005527540 | 10 | 19A | | 00D00900531 | 04 | 45A | | 00G01001571 | 07 | 13A | | 00H00819012 | 01 | 09A | 01 |
| 00005551290 | 14 | 03A | | 00D00900531 | 06 | 20A | | 00G01500951 | 12 | 03A | | 00H00819012A | 01 | 09A | |
| 00006309260 | 06 | 26A | | 00D00900531 | 06 | 21A | | 00G01503701 | 05 | 09A | | 00H00908012 | 06 | 01A | 01 |
| 00006309260 | 10 | 02A | | 00D00900531 | 07 | 20A | | 00G01503701 | 10 | 06A | | 00H00908012A | 06 | 01A | |
| 00006321040 | 06 | 12A | | 00D00900531 | 07 | 27A | | 00G01601581 | 11 | 07A | | 00H00908012A | 06 | 01B | |
| 00006321040 | 10 | 03A | | 00D00900531 | 13 | 05A | | 00G01602581 | 11 | 06A | | 00H00915751 | 06 | 11A | |
| 00008061500 | 02A | 21A | | 00D00900531 | 13 | 25A | | 00G01606051 | 11 | 08A | | 00H00917301 | 06 | 17A | |
| 00008061500 | 02A | 20A | | 00D01000701 | 06 | 24A | | 00G02102083 | 06 | 05A | | 00H00930071 | 06 | 15A | |
| 00008061500 | 07 | 39A | | 00D01100201 | 10 | 04A | | 00G02200692 | 13 | 17A | | 00H00930091 | 06 | 04A | |
| 00008063000 | 07 | 37A | | 00D01200171 | 03 | 18A | | 00G03001091 | 20 | 23A | | 00H00931171 | 06 | 03A | |
| 00008213182 | 08 | 06A | | 00D01200171 | 04 | 29A | | 00G03002091 | 20 | 24A | | 00H00934171 | 06 | 03B | |
| 00008902630 | 01 | 11A | | 00D01200171 | 05 | 14A | | 00G03200061 | 21A | 09A | | 00H01000131 | 07 | 07A | |
| 00008915020 | 04 | 21A | | 00D01201091 | 08 | 11A | | 00G03200061 | 21B | 09A | | 00H01000371 | 07 | 10A | |
| 00008915020 | 13 | 09A | | 00D01300091 | 08 | 05A | | 00G03200101 | 21A | 19A | | 00H01001701 | 10 | 07A | |
| 0000A517011 | 07 | 23A | | 00D01300192 | 03 | 06A | | 00G03200101 | 21B | 19A | | 00H01001911 | 07 | 29A | |
| 00011021300 | 07 | 16A | | 00D01301401 | 09 | 10A | | 00G03200511 | 21A | 11A | | 00H01002341 | 07 | 08A | |
| 00011041300 | 03 | 08A | | 00D01500021 | 05 | 19A | | 00G03200511 | 21B | 11A | | 00H01002821 | 07 | 33A | |
| 00011041300 | 10 | 11A | | 00D01500021 | 11 | 05A | | 00G03200541 | 21A | 15A | | 00H01005311 | 07 | 19A | |
| 00011051401 | 05 | 22A | | 00D01500471 | 04 | 32A | | 00G03200541 | 21B | 15A | | 00H01006321 | 07 | 09A | |
| 00011051801 | 04 | 19A | | 00D01500552 | 04 | 22A | | 00G03200551 | 21A | 16A | | 00H01013011 | 07 | 03B | |
| 00011141300 | 03 | 20A | | 00D01500552 | 13 | 11A | | 00G03200551 | 21B | 16A | | 00H01015011 | 07 | 03A | |
| 00011141300 | 13 | 22A | | 00D01501371 | 03 | 19A | | 00G03200721 | 21A | 17A | | 00H01046301 | 07 | 01A | |

| CODIGO CODE | Lám. Diagr. | Figr. | Vers. | CODIGO CODE | Lám. Diagr. | Figr. | Vers. | CODIGO CODE | Lám. Diagr. | Figr. | Vers. | CODIGO CODE | Lám. Diagr. | Figr. | Vers. |
|--------------|-------------|-------|-------|-------------|-------------|-------|-------|--------------|-------------|-------|-------|-------------|-------------|-------|-------|
| 00H01100172 | 10 | 17A | | 00H02703421 | 17 | 02A | | 00H05001411 | 15 | 20A | | 847029 | 18 | 36A | |
| 00H01101211 | 10 | 08A | | 00H02800421 | 18 | 23A | | 00H05100101 | 25 | 13A | | 847030 | 18 | 27A | |
| 00H01101731 | 10 | 05A | | 00H02808371 | 18 | 22B | | 00H05101011 | 14 | 04A | | 847031 | 18 | 37A | |
| 00H01102072 | 10 | 15A | | 00H02810421 | 18 | 23B | | 00H05101561 | 14 | 02A | | 847032 | 18 | 26A | |
| 00H01103611 | 10 | 14A | | 00H02813371 | 18 | 22A | 01 | 00H05160121 | 14 | 01A | | 847036 | 18 | 32A | |
| 00H01104583 | 10 | 21A | | 00H02902252 | 19 | 15A | | 00H05300041 | 25 | 04A | | 847038 | 18 | 29A | |
| 00H01106181 | 10 | 12A | | 00H03000091 | 20 | 26A | | 00H05300151 | 25 | 06A | | 847040 | 16 | 11A | |
| 00H01109081 | 10 | 01A | | 00H03000272 | 01 | 26A | | 00H05301841 | 25 | 17A | | 847042 | 16 | 12A | |
| 00H01120021 | 10 | 16A | | 00H03007241 | 20 | 06A | | 00H05400451 | 25 | 01A | | 847043 | 16 | 07A | |
| 00H01202193 | 08 | 19A | | 00H03201201 | 21A | 07B | | 00H05400461 | 25 | 15A | | 847044 | 16 | 08A | |
| 00H01202331 | 08 | 15A | | 00H03201201 | 21B | 07A | | 00H05400581 | 25 | 02A | | 847045 | 16 | 03A | |
| 00H01203272 | 08 | 02A | | 00H03201251 | 04 | 26B | 01 | 00H05401451 | 25 | 14A | | 847046 | 16 | 13A | |
| 00H01205711 | 08 | 08A | | 00H03202281 | 21A | 08B | | 00H05401561 | 25 | 03A | | 847047 | 16 | 14A | |
| 00H01206061 | 08 | 09A | | 00H03202281 | 21B | 08A | | 00H05600241 | 25 | 05A | | 847048 | 16 | 16A | |
| 00H01206101 | 08 | 13A | | 00H03203711 | 21A | 14A | | 00H05600351 | 25 | 07A | | 847051 | 23 | 10A | |
| 00H01208111 | 08 | 14A | | 00H03204231 | 21A | 13A | | 00H05600421 | 25 | 11A | | 847052 | 23 | 01A | |
| 00H01209021 | 08 | 07A | 01 | 00H03204231 | 21B | 13A | | 00H05600431 | 25 | 12A | | 847053 | 23 | 12A | |
| 00H01212081 | 08 | 12A | | 00H03204281 | 21A | 08A | | 00H05601261 | 25 | 16A | | 847055 | 23 | 04A | |
| 00H01301501 | 09 | 19A | | 00H03204421 | 21A | 04B | | 00H05700101 | 07 | 42B | | 847056 | 19 | 08A | |
| 00H01301691 | 09 | 20A | | 00H03204421 | 21B | 04A | | 00H05700481 | 07 | 35A | | 847057 | 19 | 10A | |
| 00H01301831 | 08 | 17A | | 00H03206421 | 21A | 04A | | 00H05701061 | 07 | 46A | | 847058 | 19 | 11A | |
| 00H01301831 | 10 | 22A | | 00H03207211 | 21A | 02A | 01 | 00H05701101 | 07 | 42A | | 847059 | 19 | 12A | |
| 00H01302172 | 09 | 11A | | 00H03207261 | 04 | 33A | | 00H05703141 | 07 | 06A | | 847060 | 19 | 07A | |
| 00H01302351 | 09 | 17A | | 00H03208031 | 21A | 05A | | 00H05900021 | 03 | 17A | | 847061 | 19 | 06A | |
| 00H01304091 | 09 | 06A | | 00H03208491 | 04 | 27A | | 00H05900021 | 05 | 02A | | 847062 | 19 | 09A | |
| 00H01304202 | 03 | 02A | | 00H03209251 | 04 | 26A | | 00H05900021 | 05 | 03A | | 847067 | 24 | 04A | |
| 00H01304202 | 09 | 02A | | 00H03209251 | 04 | 26B | | 00H05900021 | 05 | 17A | | 847068 | 17 | 06A | |
| 00H01305531 | 09 | 16A | | 00H03214431 | 21A | 03A | 01 | 00H05900021 | 13 | 10A | | 847069 | 17 | 04A | |
| 00H01307821 | 09 | 14A | | 00H03214431 | 21B | 03A | | 00H05900621 | 05 | 27A | | 847070 | 17 | 05A | |
| 00H01308361 | 09 | 22A | | 00H03215031 | 21A | 05B | | 00H05908251 | 11 | 12A | | 847073 | 17 | 03A | |
| 00H01309321 | 09 | 23A | | 00H03215031 | 21B | 05A | | 00H06001151 | 21A | 24A | | 847074 | 19 | 04A | |
| 00H01317031 | 09 | 15A | | 00H03330171 | 22 | 07A | | 00H06001151 | 21B | 24A | | 847075 | 16 | 19A | |
| 00H01317032 | 09 | 15A | 01 | 00H03334171 | 22 | 07B | | 00H06007211 | 04 | 25B | 01 | 847075 | 17 | 07A | |
| 00H01326031 | 09 | 15B | | 00H03334171 | 22 | 07C | | 00H06007211A | 04 | 25B | | 847076 | 23 | 11A | |
| 00H01500691 | 04 | 36A | | 00H03404321 | 12 | 11A | | 00H06201061 | 04 | 15A | 01 | 847077 | 24 | 06A | |
| 00H01501212 | 09 | 24A | | 00H03429412 | 12 | 02A | 01 | 00H06300771 | 22 | 15A | | 847078 | 24 | 08A | |
| 00H01502201 | 09 | 07A | | 00H03446081 | 12 | 01B | | 00H06300791 | 11 | 13A | | 847079 | 24 | 05A | |
| 00H01502741 | 07 | 43A | | 00H03700131 | 10 | 09A | | 00H06301401 | 01 | 16A | | 847080 | 24 | 07A | |
| 00H01506201 | 09 | 07B | | 00H03700461 | 20 | 18A | | 00H06303752 | 04 | 05A | | 847081 | 18 | 31A | |
| 00H01508181 | 03 | 16A | | 00H03701411 | 13 | 29A | | 00H06303762 | 04 | 03A | | 847083 | 16 | 18A | |
| 00H01508191 | 03 | 10A | | 00H03701511 | 23 | 14A | | 00H06365731 | 14 | 06D | | 847084 | 20 | 05A | |
| 00H01600911 | 11 | 04A | | 00H03704081 | 13 | 26A | | 00H06366731 | 14 | 06F | | 847085 | 22 | 06A | |
| 00H01616021 | 11 | 09A | | 00H03706011 | 23 | 08A | | 00H06500451 | 01 | 19A | | 847086 | 18 | 03A | |
| 00H01628521 | 11 | 01B | | 00H03800571 | 05 | 28A | | 00H06500561 | 04 | 41A | | 847087 | 20 | 14A | |
| 00H01703301 | 07 | 24A | | 00H03800571 | 04 | 35A | | 00H06800461 | 07 | 34A | | 847090 | 16 | 22A | |
| 00H01703391 | 07 | 26A | | 00H03800722 | 07 | 11A | | 288868 | 21B | 29A | | 847091 | 20 | 11A | |
| 00H01800402 | 12 | 08A | | 00H03801751 | 13 | 14A | | 289903 | 21B | 28A | | 847092 | 20 | 21A | 01 |
| 00H01801411 | 11 | 11A | | 00H03801751 | 13 | 18A | | 311163 | 23 | 13A | | 847093 | 20 | 20A | |
| 00H01801771 | 01 | 15A | | 00H03801751 | 13 | 31A | | 436947 | 15 | 14A | | 847096 | 20 | 31A | |
| 00H01802081 | 02A | 18A | 01 | 00H03801961 | 13 | 21A | | 483395 | 24 | 12A | | 847098 | 16 | 01A | |
| 00H01802081 | 02A | 17A | 01 | 00H03802031 | 13 | 16B | | 484704 | 21A | 07A | | 847153 | 18 | 07A | |
| 00H01803331 | 03 | 09A | | 00H03802091 | 13 | 32A | | 827892 | 21B | 27A | | 847154 | 18 | 21A | |
| 00H01809541 | 04 | 25A | 01 | 00H03802461 | 04 | 37A | | 828074 | 21A | 20A | | 847155 | 18 | 09A | |
| 00H01809541A | 04 | 25A | | 00H03802472 | 13 | 03A | | 828152 | 20 | 25A | | 847156 | 18 | 10A | |
| 00H01855111 | 14 | 06A | | 00H03802501 | 13 | 02B | | 82829R | 22 | 01A | | 847157 | 18 | 08A | |
| 00H01856111 | 14 | 06C | | 00H03802541 | 13 | 01B | | 82835R | 16 | 10A | | 847158 | 18 | 30A | |
| 00H01961602 | 01 | 01A | | 00H03802751 | 13 | 08A | | 847006 | 15 | 03A | | 847159 | 18 | 35A | |
| 00H02000051 | 02A | 30A | | 00H03805011 | 13 | 01A | | 847007 | 15 | 18A | | 847172 | 15 | 12A | |
| 00H02100191 | 06 | 07A | | 00H03805301 | 13 | 19A | | 847008 | 15 | 15A | | 847174 | 20 | 27A | |
| 00H02100861 | 06 | 08A | | 00H03808021 | 13 | 13A | 01 | 847009 | 15 | 07A | | 847176 | 24 | 13A | |
| 00H02101621 | 06 | 02A | | 00H03810501 | 13 | 02A | | 847010 | 15 | 10A | | 847178 | 15 | 05A | |
| 00H02105611 | 06 | 27A | | 00H04101181 | 21A | 06A | | 847012 | 15 | 04A | | 847179 | 16 | 09A | 01 |
| 00H02201302 | 01 | 24A | | 00H04103771 | 21A | 22A | | 847014 | 15 | 08A | 01 | 847180 | 20 | 15A | 01 |
| 00H02201312 | 01 | 06A | | 00H04103771 | 21B | 22A | | 847015 | 20 | 16A | | 847181 | 24 | 14A | 01 |
| 00H02201591 | 05 | 18A | | 00H04106181 | 21A | 06B | | 847019 | 18 | 19A | | 847182 | 23 | 03A | |
| 00H02300961 | 07 | 30A | | 00H04106181 | 21B | 06A | | 847020 | 15 | 11A | | 847182 | 24 | 11A | |
| 00H02304501 | 07 | 41B | | 00H04200721 | 04 | 38A | | 847020 | 15 | 13A | | 847183 | 23 | 07A | |
| 00H02305381 | 06 | 14A | | 00H04200741 | 04 | 40A | | 847021 | 18 | 04A | | 847183 | 24 | 10A | |
| 00H02305501 | 07 | 41A | | 00H04202721 | 04 | 39A | | 847022 | 20 | 02A | | 847184 | 23 | 02A | |
| 00H02401282 | 09 | 18A | | 00H04607841 | 07 | 31A | | 847023 | 20 | 10A | | 847184 | 24 | 09A | |
| 00H02402282 | 08 | 18A | | 00H04607841 | 07 | 36A | | 847023 | 20 | 29A | | 847209 | 18 | 20A | |
| 00H02404331 | 09 | 01A | | 00H04608841 | 07 | 31B | | 847024 | 20 | 17A | | 847210 | 18 | 05A | 01 |
| 00H02500272 | 01 | 18A | | 00H04640141 | 14 | 06G | | 847026 | 15 | 09A | | 847211 | 18 | 12A | |
| 00H02501491 | 20 | 28A | | 00H04713082 | 08 | 01A | | 847027 | 18 | 01A | | 847213 | 18 | 33A | |
| 00H02510641 | 20 | 21A | | 00H04903292 | 01 | 22A | | 847028 | 18 | 06A | | 847214 | 18 | 28A | |

| CODIGO CODE | Lám. Diagr. | Figr. | Vers. | CODIGO CODE | Lám. Diagr. | Figr. | Vers. | CODIGO CODE | Lám. Diagr. | Figr. | Vers. | CODIGO CODE | Lám. Diagr. | Figr. | Vers. |
|----------------|----------------|-------|-------|----------------|----------------|-------|-------|----------------|----------------|-------|-------|----------------|----------------|-------|-------|
| 847215 | 15 | 16A | | 863151 | 02A | 10A | | CM146204 | 21B | 14A | | | | | |
| 847215 | 22 | 04A | | 863151 | 02A | 09A | | CM149801 | 20 | 09A | | | | | |
| 847217 | 16 | 02A | | 863152 | 02A | 11A | | CM149802 | 19 | 02A | | | | | |
| 847218 | 16 | 04A | | 863152 | 02A | 10A | | CM149804 | 15 | 19A | | | | | |
| 847220 | 16 | 05A | | 863153 | 02A | 12A | | CM149804 | 20 | 22A | | | | | |
| 847221 | 16 | 06A | 01 | 863153 | 02A | 11A | | CM149805 | 24 | 02A | 01 | | | | |
| 847223 | 16 | 21A | | 863154 | 02A | 14A | | CM149806 | 20 | 23A | 01 | | | | |
| 847224 | 16 | 15A | | 863154 | 02A | 13A | | CM149808 | 20 | 24A | 01 | | | | |
| 847225 | 16 | 17A | 01 | 863155 | 02A | 15A | | CM149809 | 20 | 26A | 01 | | | | |
| 847226 | 23 | 06A | 01 | 863155 | 02A | 14A | | CM149905 | 21A | 01B | | | | | |
| 847227 | 23 | 05A | 01 | 863156 | 02A | 16A | | CM149906 | 21B | 01A | | | | | |
| 847228 | 17 | 08A | 01 | 863156 | 02A | 15A | | CM1503015 | 20 | 01A | | | | | |
| 847228 | 19 | 01A | 01 | 863157 | 02A | 17A | | CM150703 | 20 | 04A | | | | | |
| 847229 | 19 | 03A | 01 | 863157 | 02A | 16A | | CM150802 | 24 | 01A | | | | | |
| 847230 | 19 | 13A | | 863158 | 02A | 19A | | CM151201 | 16 | 20A | | | | | |
| 847231 | 19 | 14A | | 863158 | 02A | 18A | | CM151902 | 15 | 06A | | | | | |
| 847232 | 19 | 05A | | 863159 | 02A | 20A | | CM152702 | 21A | 01A | | | | | |
| 847233 | 22 | 05A | 01 | 863159 | 02A | 19A | | CM159501 | 15 | 08B | | | | | |
| 847234 | 22 | 03A | | 863160 | 02A | 23A | | CM159502 | 15 | 08A | | | | | |
| 847235 | 22 | 02A | | 863160 | 02A | 22A | | CM159502 | 15 | 08C | | | | | |
| 847236 | 17 | 01A | | 863161 | 02A | 24A | | CM159503 | 15 | 08D | | | | | |
| 847237 | 20 | 07A | | 863161 | 02A | 23A | | | | | | | | | |
| 847238 | 20 | 08A | | 863162 | 02A | 27A | | | | | | | | | |
| 847239 | 20 | 13A | 01 | 863163 | 02A | 28A | | | | | | | | | |
| 847240 | 20 | 12A | 01 | 863163 | 02A | 26A | | | | | | | | | |
| 847241 | 20 | 03A | | 863164 | 02A | 29A | | | | | | | | | |
| 8472625001 | 15 | 02A | | 8635710006 | 04 | 17A | | | | | | | | | |
| 8472625002 | 15 | 02B | | 8635710007 | 04 | 17B | | | | | | | | | |
| 8472625003 | 15 | 02C | | 863610 | 14 | 06E | | | | | | | | | |
| 8472625004 | 15 | 02D | | 863611 | 14 | 06B | | | | | | | | | |
| 847508 | 15 | 01A | | 864454 | 03 | 15A | | | | | | | | | |
| 847529 | 15 | 17A | 01 | 864454 | 10 | 13A | | | | | | | | | |
| 847541 | 18 | 16A | | 864489 | 04 | 06A | | | | | | | | | |
| 847542 | 18 | 14A | | 864490 | 13 | 28A | | | | | | | | | |
| 847544 | 18 | 02A | | 864515 | 11 | 01A | | | | | | | | | |
| 847545 | 18 | 18A | | 864587 | 07 | 47A | | | | | | | | | |
| 847546 | 18 | 17A | | 864660 | 07 | 18A | | | | | | | | | |
| 847547 | 18 | 34A | | 865004 | 14 | 05A | | | | | | | | | |
| 847548 | 18 | 15A | | 86515100WNO | 07 | 02B | | | | | | | | | |
| 847549 | 18 | 11A | | 86515800WB1 | 05 | 15A | | | | | | | | | |
| 847550 | 18 | 13A | | 86515801WB1 | 05 | 15B | | | | | | | | | |
| 861001 | 02A | 13A | | 86516000WB1 | 05 | 16A | | | | | | | | | |
| 861001 | 02A | 12A | | 86516001WB1 | 05 | 16B | | | | | | | | | |
| 86125R | 12 | 02A | | 86516200WB1 | 05 | 20A | | | | | | | | | |
| 861305 | 06 | 30A | | 86516201WB1 | 05 | 20B | | | | | | | | | |
| 86133R | 03 | 22A | | 86516300WNO | 05 | 05B | | | | | | | | | |
| 86138R | 13 | 13A | | 86516300WRO | 05 | 05A | | | | | | | | | |
| 861417 | 04 | 23A | | 86516400WNO | 05 | 06B | | | | | | | | | |
| 86156R | 08 | 07A | | 86516400WRO | 05 | 06A | | | | | | | | | |
| 861621 | 06 | 29A | | 86516500WNO | 07 | 02A | | | | | | | | | |
| 86177R | 18 | 22A | | 865265 | 05 | 26A | | | | | | | | | |
| 861781 | 14 | 01B | | 865266 | 05 | 26B | | | | | | | | | |
| 861781 | 14 | 01C | | 865267 | 05 | 26C | | | | | | | | | |
| 862493 | 13 | 16A | | 865268 | 05 | 26D | | | | | | | | | |
| 862541 | 13 | 38A | | 865599 | 06 | 19A | | | | | | | | | |
| 862542 | 13 | 35A | | 866497 | 04 | 15A | | | | | | | | | |
| 862543 | 13 | 37A | | 86649800WGB | 06 | 01C | | | | | | | | | |
| 862544 | 13 | 36A | | 866675 | 02A | 18A | | | | | | | | | |
| 862964 | 12 | 01A | | 866675 | 02A | 17A | | | | | | | | | |
| 863136 | 18 | 29B | | 871319 | 20 | 30A | | | | | | | | | |
| 863143 | 02A | 01A | | 871688 | 24 | 03A | | | | | | | | | |
| 863143 | 02A | 01A | | 8744440001 | 15 | 02E | | | | | | | | | |
| 863144 | 02A | 02A | | 8744440002 | 15 | 02F | | | | | | | | | |
| 863144 | 02A | 02A | | 8744440003 | 15 | 02G | | | | | | | | | |
| 863145 | 02A | 03A | | 8744440004 | 15 | 02H | | | | | | | | | |
| 863145 | 02A | 03A | | 8770700001 | 15 | 02I | | | | | | | | | |
| 863146 | 02A | 05A | | 8770700002 | 15 | 02J | | | | | | | | | |
| 863146 | 02A | 05A | | 8770700003 | 15 | 02K | | | | | | | | | |
| 863147 | 02A | 06A | | 8770700004 | 15 | 02L | | | | | | | | | |
| 863148 | 02A | 07A | | 877072 | 15 | 03B | | | | | | | | | |
| 863148 | 02A | 06A | | 8772085 | 15 | 01B | | | | | | | | | |
| 863149 | 02A | 08A | | 877719 | 15 | 01C | | | | | | | | | |
| 863149 | 02A | 07A | | 878519 | 15 | 05B | | | | | | | | | |
| 863150 | 02A | 09A | | CM107514 | 21A | 03A | | | | | | | | | |
| 863150 | 02A | 08A | | CM141710 | 21A | 02A | | | | | | | | | |