

NACIONAL MOTOR, S.A.U. DERBI

C/ Barcelona, nº19 - Martorelles 08107 - BARCELONA (SPAIN)
Tel. 93 565 78 78 - Fax 93 565 78 52

DERBI



SENDA R X-TREM 2006 E2

CÓDIGO CATÁLOGO
CATALOGUE NUMBER

7077CH06003

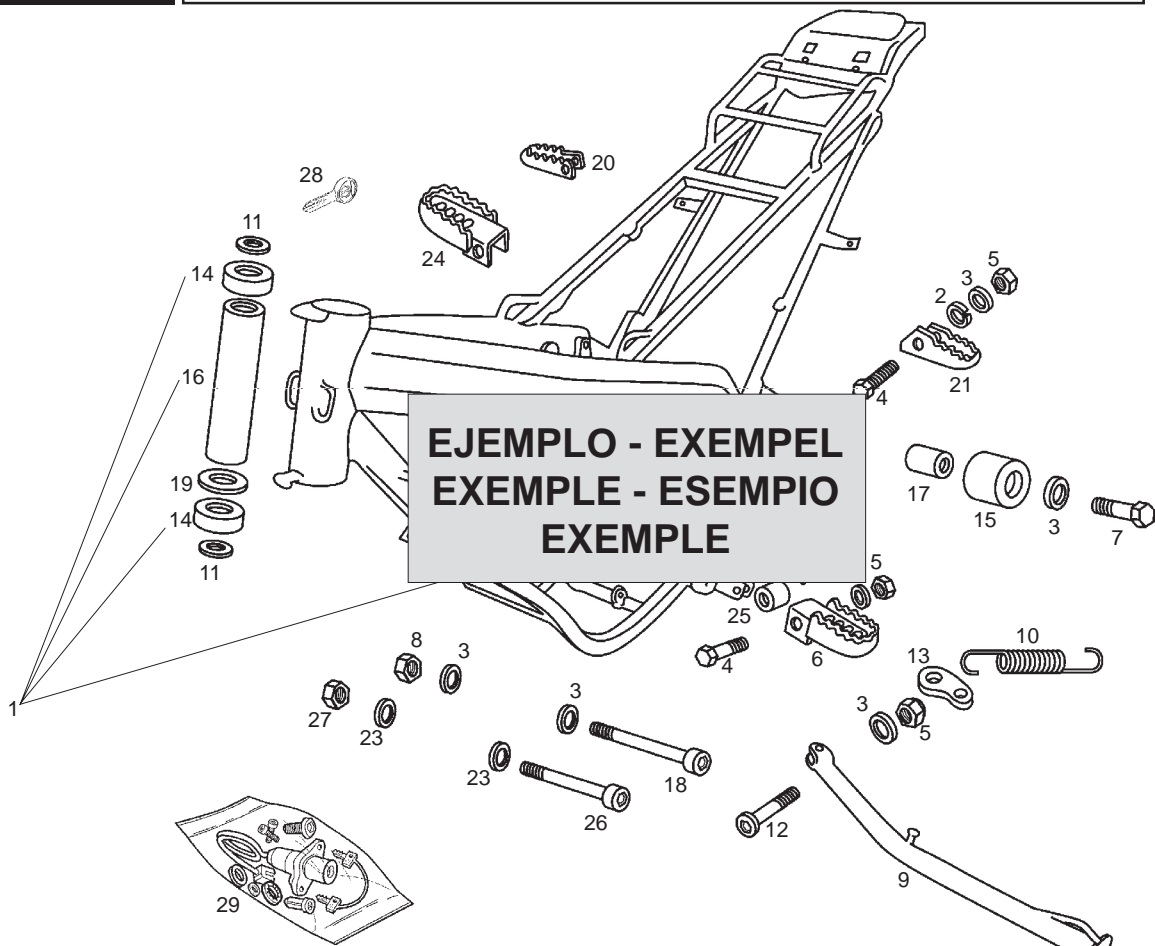


Fig.	Ver.	COD. KOD.	DESCRIPCIÓN DENOMINAZIONE NAME	BEZEICHUNG DESIGNATION	MOD.	NOTAS NOTES MITSCHRIFT NOTES
	01A	00G01924601	R-SCTO.CUADRO C/COJIN. ATLANTIS TELAIO FRAME SUB-ASSEMBLY	RHAMEN CADRE COMPLET	12	XXXXXXX
2	01A 01	00G01924601	R-SCTO.CUADRO C/COJIN. ATLANTIS TELAIO FRAME SUB-ASSEMBLY	RHAMEN CADRE COMPLET	12	XXXXXXX
3	01A 02	00G01924601				
4	01A 03	00G01924601	R-SCTO.CUADRO C/COJIN. ATLANTIS TELAIO FRAME SUB-ASSEMBLY	RHAMEN CADRE COMPLET	12	XXXXXXX

1- Código de localización de piezas. 2- Código indicativo de pieza reemplazada. 3- Código indicativo de pieza anulada. 4- Código indicativo de pieza restituida (esta se monta de nuevo). 5- Código de referencia de la pieza. 6- Identificación de modelos. 7- Los códigos de esta casilla indican que, a partir del número de chasis o motor indicado dentro de esta, se monta una nueva pieza que reemplaza a la anterior (sección 2), que una pieza no se monta (sección 3), o que la pieza anulada se monta de nuevo (sección 4), y concierne a los modelos indicados (sección 6). 8- Denominación de la pieza.

1- Codice di localizzazione pezzi. 2- Codice indicatore del pezzo sostituito. 3- Il pezzo precedente non si monta. 4- Codice indicatore dei pezzi che si tornano a montare. 5- Codice di identificazione del pezzo. 6- Identificazione del modello. 7- Il codice di questa casella indica che, dal numero di Telaio/motore indicato, si monta un nuovo pezzo che sostituisce il precedente (sezione 2), che un pezzo non si monta (sezione 3), oppure che il pezzo annullato si monta di nuovo (sezione 4), facendo riferimento al modello indicato (sezione 6). 8- Denominazione del pezzo.

1- Part location number. 2- Substituted part number. 3- Withdrawn part number (no longer fitted). 4- Restored part number (newly fitted going withdrawn). 5- Part reference number. 6- Model identification number. 7- Chassis or engine number from which a new part is fitted substituting a part which has been withdrawn (see para 2) or a part is withdrawn is fitted again (see para 4), in the models indicated (see para 6). 8- Part identification label.

1- Zeichungs - Number. 2- Ausführung. 3- Gestrichene Ersatzteilnummer. 4- Ersetzte Ersatzteilnummer. 5- Ersatzteilnummer. 6- Modell - Nummer. 7- Rhamen - order motonummer, für die ein neues teil eingestzt wird, z.b. eine nummer, die geändert (s. para 2), order ein teil, das gestrichen wurde (s. para 3), order ein teil, das vorübergehend verschiedene modelle (s. para 6) 8- Bezeichnung.

1- Code de localisation de la pièce. 2- Code indicateur de pièce remplace par un autre. 3- Code indicateur de pièce annulé (elle n'est plus montée). 4- Code indicateur de pièce restituée (elle se monte à nouveau). 5- Code référence de la pièce. 6- Les codes de cette case indiquant qu'à partir de numero 7- Chassis ou de moteur indiqué, un nouvelle pièce est montée en remplacement d'une autre (section 2), qu'une pièce n'est plus montée (section 3) ou la pièce anulée est montée à nouveau (section 4) et concernant les modèles indiqués (section 6). 8- Denomination de la pièce.

**IDENTIFICACION DE MODELOS REPRESENTADOS EN ESTE
CATALOGO SEGUN LOS DIGITOS SIGUIENTES**

**IDENTIFICAZIONE DEI MODELLI RAPPRESENTATI IN QUESTO CATALOGO
SECONDO I NUMERI A SEGUIRE**

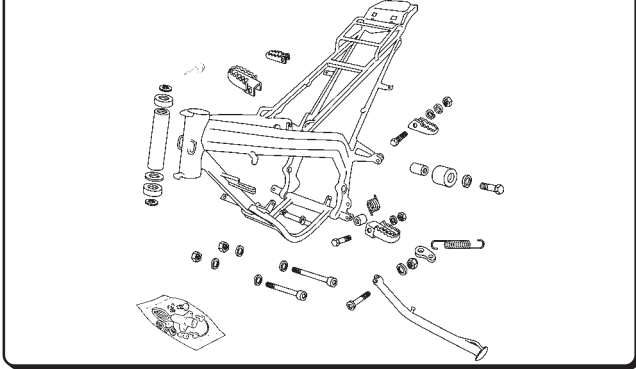
**THE MODELS REFERRED INTO THIS CATALOGUE ARE IDENTIFIED
BY FOLLOWING NUMBERS**

BESTIMMUNG DER VERSCHIEDENEN MODELLE IN DIESEM KATALOG

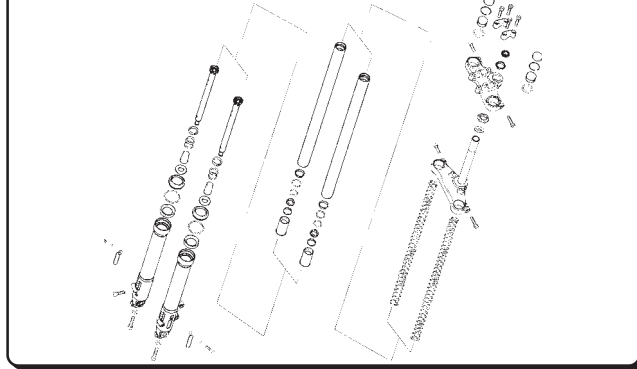
**IDENTIFICATION DES MODELOES REPRESENTES DANS CE CATALOGUE,
EN FONCTION DES CODES SUIVANTS**

MODELO MODELLI MODEL MODELL MODELE	DENOMINACION DENOMINAZIONE MODEL NAME BEZEICHNUNG DENOMINATION	CODIGO MODELO CODICE MODELLI CODE MODEL KODE MODELL CODE MODELE
1	SENDA R X-TREM ESPAÑA ROJO (FLUOR)/GRIS (PICEA) 2006 E2 SENDA R X-TREM FRANCE RED (FLUOR)/GREY (PICEA) 2006 E2 SENDA R X-TREM ENGLAND RED (FLUOR)/GREY (PICEA) 2006 E2 SENDA R X-TREM ITALY RED (FLUOR)/GREY (PICEA) 2006 E2	E92H5 1 E630 E92H5 1 F630 E92H5 1 G630 E92H5 1 I630
2	SENDA R X-TREM AUSTRIA RED (FLUOR)/GREY (PICEA) 2006 E2 SENDA R X-TREM BENELUX RED (FLUOR)/GREY (PICEA) 2006 E2	E92H5 1 U630 E92H5 1 X630
3	SENDA R X-TREM SCANDINAVIA RED (FLUOR)/GREY (PICEA) 2006 E2	E92H5 1 V630
4	SENDA R X-TREM ESPAÑA AZUL (JACINTO)/GRIS (PICEA) 2006 E2 SENDA R X-TREM FRANCE BLUE (JACINTO)/GREY (PICEA) 2006 E2 SENDA R X-TREM ENGLAND BLUE (JACINTO)/GREY (PICEA) 2006 E2 SENDA R X-TREM ITALY BLUE (JACINTO)/GREY (PICEA) 2006 E2	E92H5 1 E640 E92H5 1 F640 E92H5 1 G640 E92H5 1 I640
5	SENDA R X-TREM AUSTRIA BLUE (JACINTO)/GREY (PICEA) 2006 E2 SENDA R X-TREM BENELUX BLUE (JACINTO)/GREY (PICEA) 2006 E2	E92H5 1 U640 E92H5 1 X640
6	SENDA R X-TREM SCANDINAVIA BLUE (JACINTO)/GREY (PICEA) 2006 E2	E92H5 1 V640
7	SENDA R X-TREM ESPAÑA NEGRO (OMBU)/GRIS (SERBAL) 2006 E2 SENDA R X-TREM FRANCE BLACK (OMBU)/GREY (SERBAL) 2006 E2 SENDA R X-TREM ENGLAND BLACK (OMBU)/GREY (SERBAL) 2006 E2 SENDA R X-TREM ITALY BLACK (OMBU)/GREY (SERBAL) 2006 E2	E92H5 1 E690 E92H5 1 F690 E92H5 1 G690 E92H5 1 I690
8	SENDA R X-TREM AUSTRIA BLACK (OMBU)/GREY (SERBAL) 2006 E2 SENDA R X-TREM BENELUX BLACK (OMBU)/GREY (SERBAL) 2006 E2	E92H5 1 U690 E92H5 1 X690
9	SENDA R X-TREM SCANDINAVIA BLACK (OMBU)/GREY (SERBAL) 2006 E2	E92H5 1 V690
A	SENDA R X-TREM ESPAÑA NEGRO (OMBU)/GRIS (PICEA) 2005 E2 SENDA R X-TREM FRANCE BLACK (OMBU)/GREY (PICEA) 2005 E2 SENDA R X-TREM ENGLAND BLACK (OMBU)/GREY (PICEA) 2005 E2 SENDA R X-TREM ITALY BLACK (OMBU)/GREY (PICEA) 2005 E2	E92H5 1 E680 E92H5 1 F680 E92H5 1 G680 E92H5 1 I680
B	SENDA R X-TREM AUSTRIA BLACK (OMBU)/GREY (PICEA) 2005 E2 SENDA R X-TREM BENELUX BLACK (OMBU)/GREY (PICEA) 2005 E2	E92H5 1 U680 E92H5 1 X680
C	SENDA R X-TREM SCANDINAVIA BLACK (OMBU)/GREY (PICEA) 2005 E2	E92H5 1 V680
D	SENDA R X-TREM FRANCE RED (GERANIO)/GREY (PICEA) 2005 E2	E92H5 1 F631

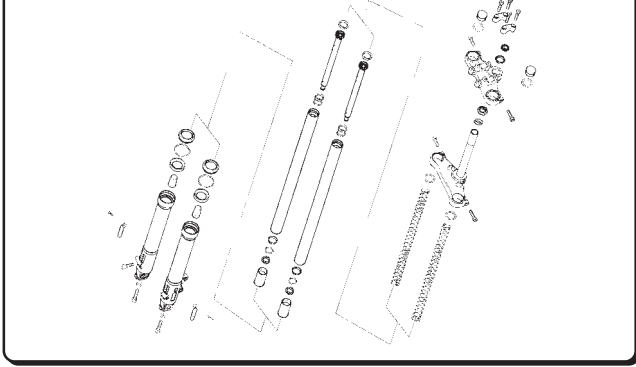
LAMINA / STAMPA / DIAGRAM / BILD / FEUILLE - 1



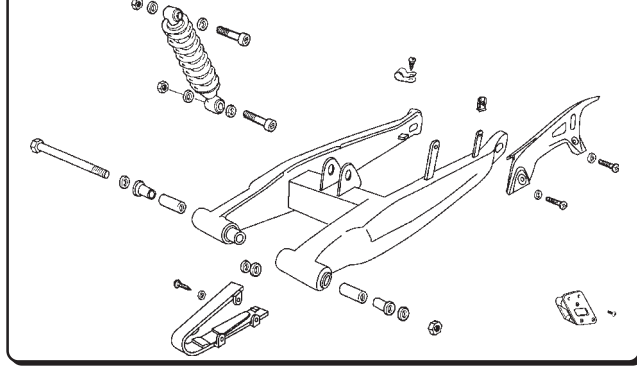
LAMINA / STAMPA / DIAGRAM / BILD / FEUILLE - 2A



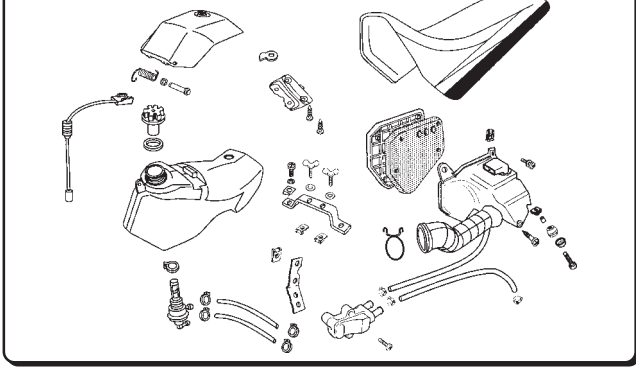
LAMINA / STAMPA / DIAGRAM / BILD / FEUILLE - 2B



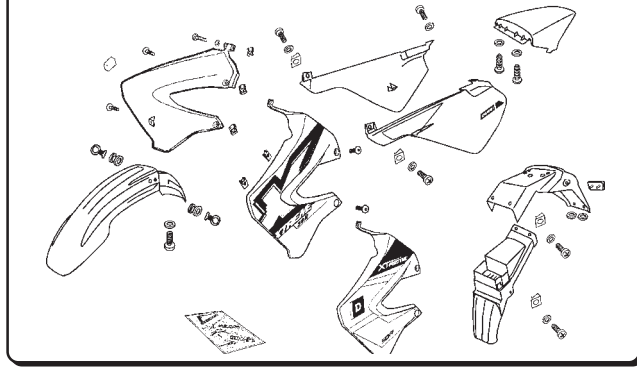
LAMINA / STAMPA / DIAGRAM / BILD / FEUILLE - 3



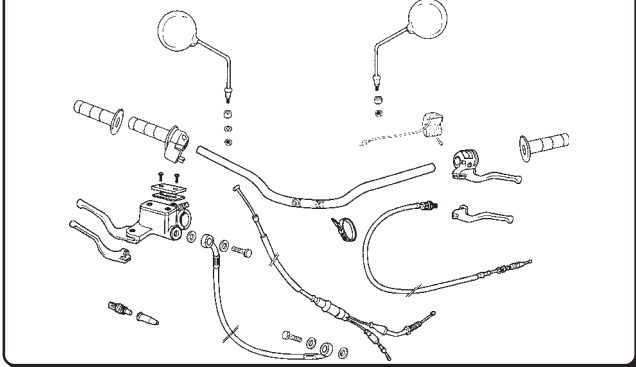
LAMINA / STAMPA / DIAGRAM / BILD / FEUILLE - 4



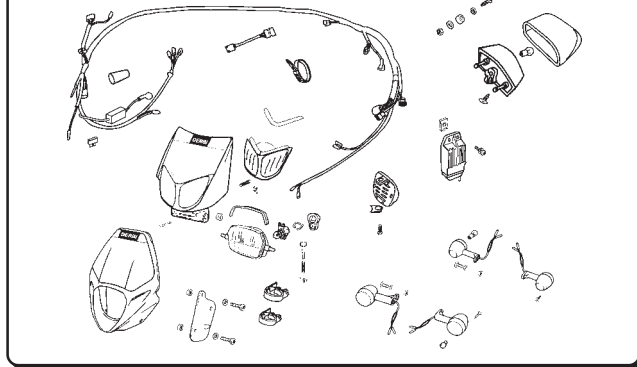
LAMINA / STAMPA / DIAGRAM / BILD / FEUILLE - 5



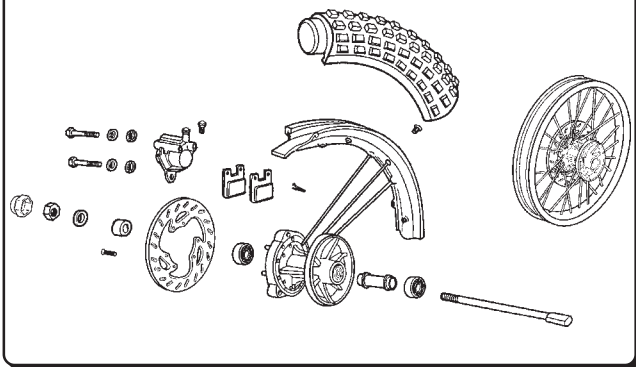
LAMINA / STAMPA / DIAGRAM / BILD / FEUILLE - 6



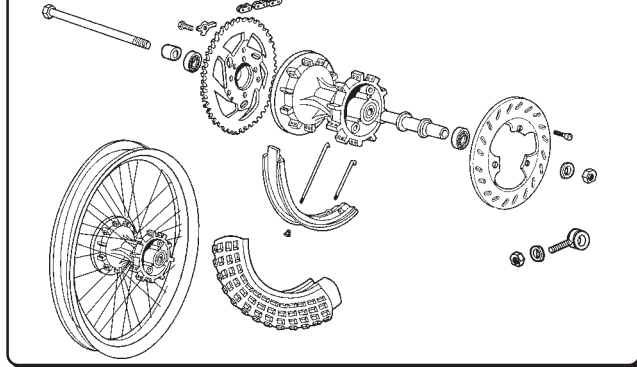
LAMINA / STAMPA / DIAGRAM / BILD / FEUILLE - 7



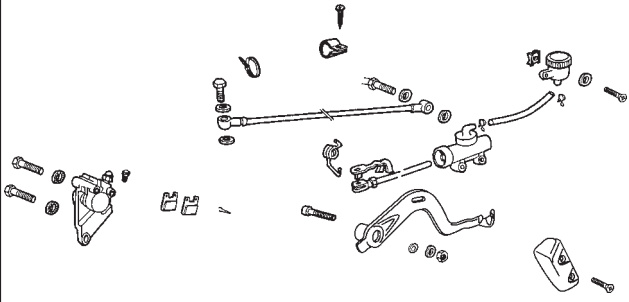
LAMINA / STAMPA / DIAGRAM / BILD / FEUILLE - 8



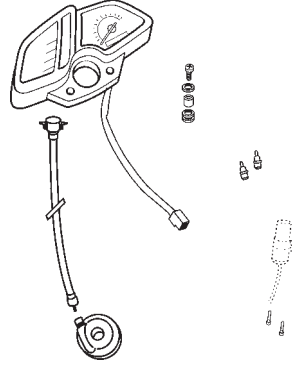
LAMINA / STAMPA / DIAGRAM / BILD / FEUILLE - 9



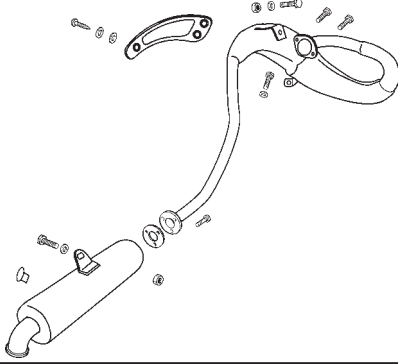
LAMINA / STAMPA / DIAGRAM / BILD / FEUILLE - 10



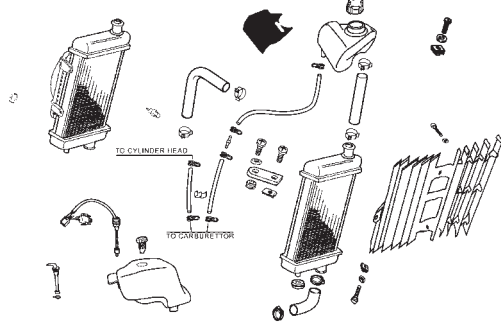
LAMINA / STAMPA / DIAGRAM / BILD / FEUILLE - 11



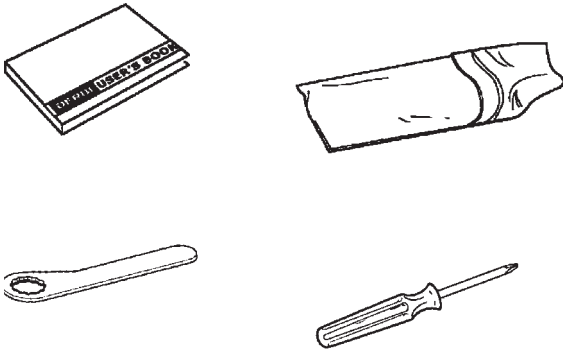
LAMINA / STAMPA / DIAGRAM / BILD / FEUILLE - 12



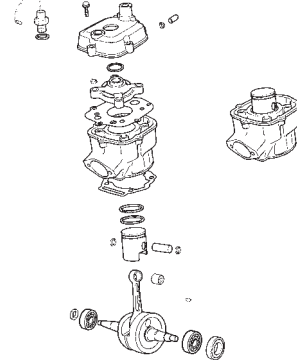
LAMINA / STAMPA / DIAGRAM / BILD / FEUILLE - 13



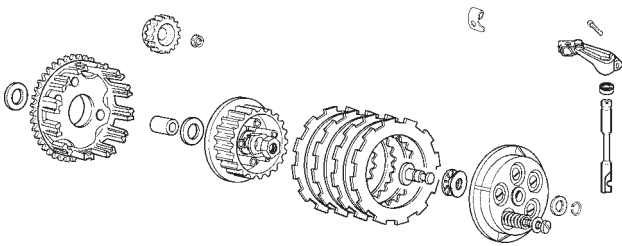
LAMINA / STAMPA / DIAGRAM / BILD / FEUILLE - 14



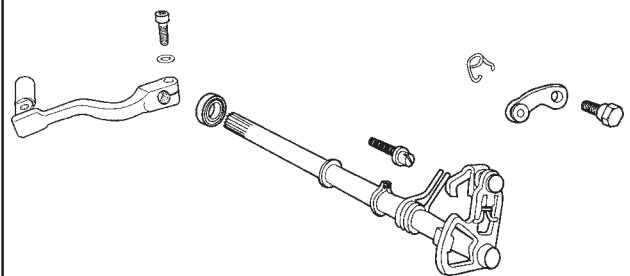
LAMINA / STAMPA / DIAGRAM / BILD / FEUILLE - 15



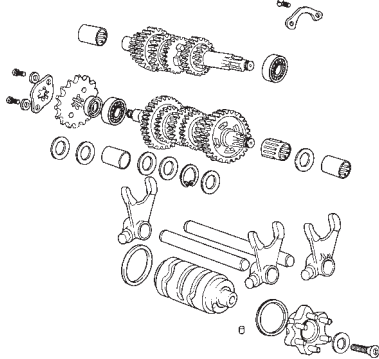
LAMINA / STAMPA / DIAGRAM / BILD / FEUILLE - 16



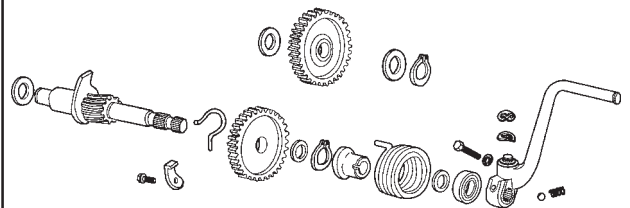
LAMINA / STAMPA / DIAGRAM / BILD / FEUILLE - 17



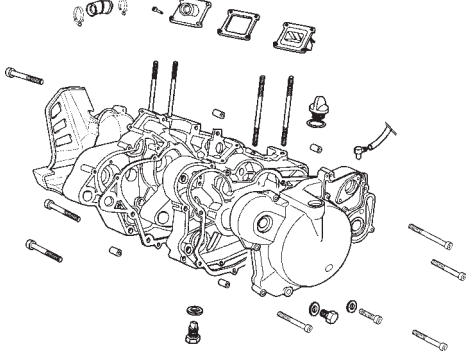
LAMINA / STAMPA / DIAGRAM / BILD / FEUILLE - 18



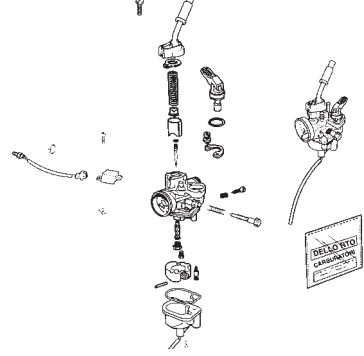
LAMINA / STAMPA / DIAGRAM / BILD / FEUILLE - 19



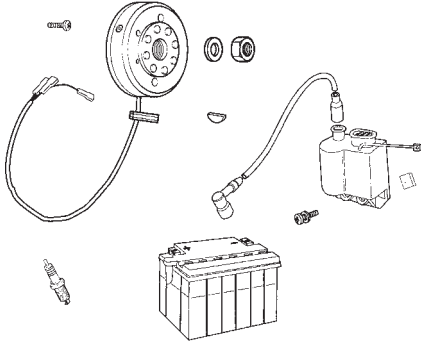
LAMINA / STAMPA / DIAGRAM / BILD / FEUILLE - 20



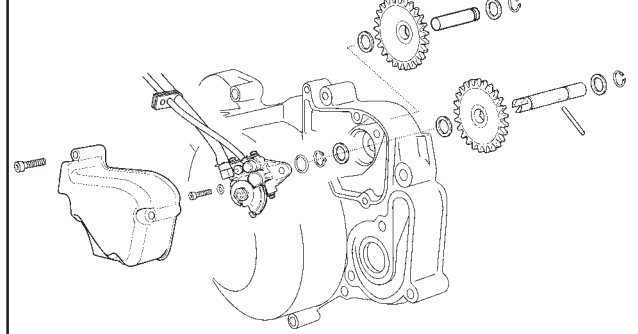
LAMINA / STAMPA / DIAGRAM / BILD / FEUILLE - 21



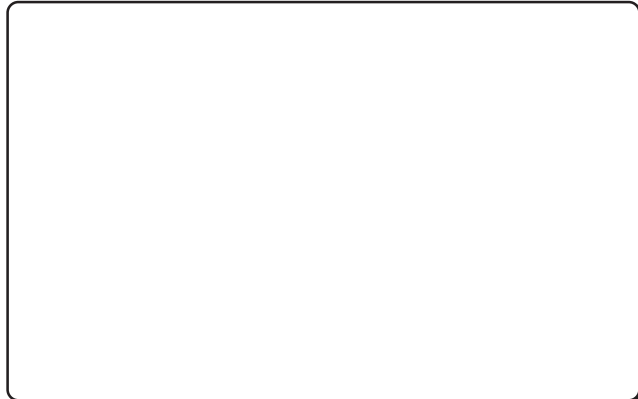
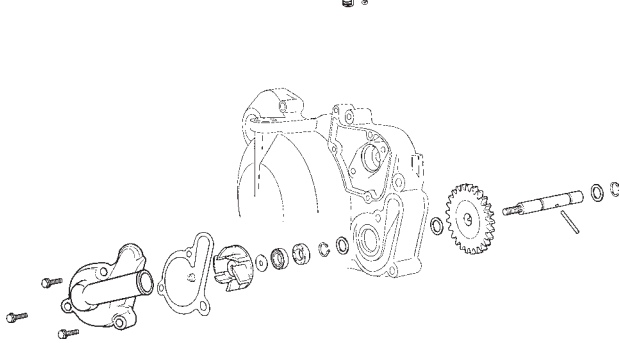
LAMINA / STAMPA / DIAGRAM / BILD / FEUILLE - 22



LAMINA / STAMPA / DIAGRAM / BILD / FEUILLE - 23



LAMINA / STAMPA / DIAGRAM / BILD / FEUILLE - 24



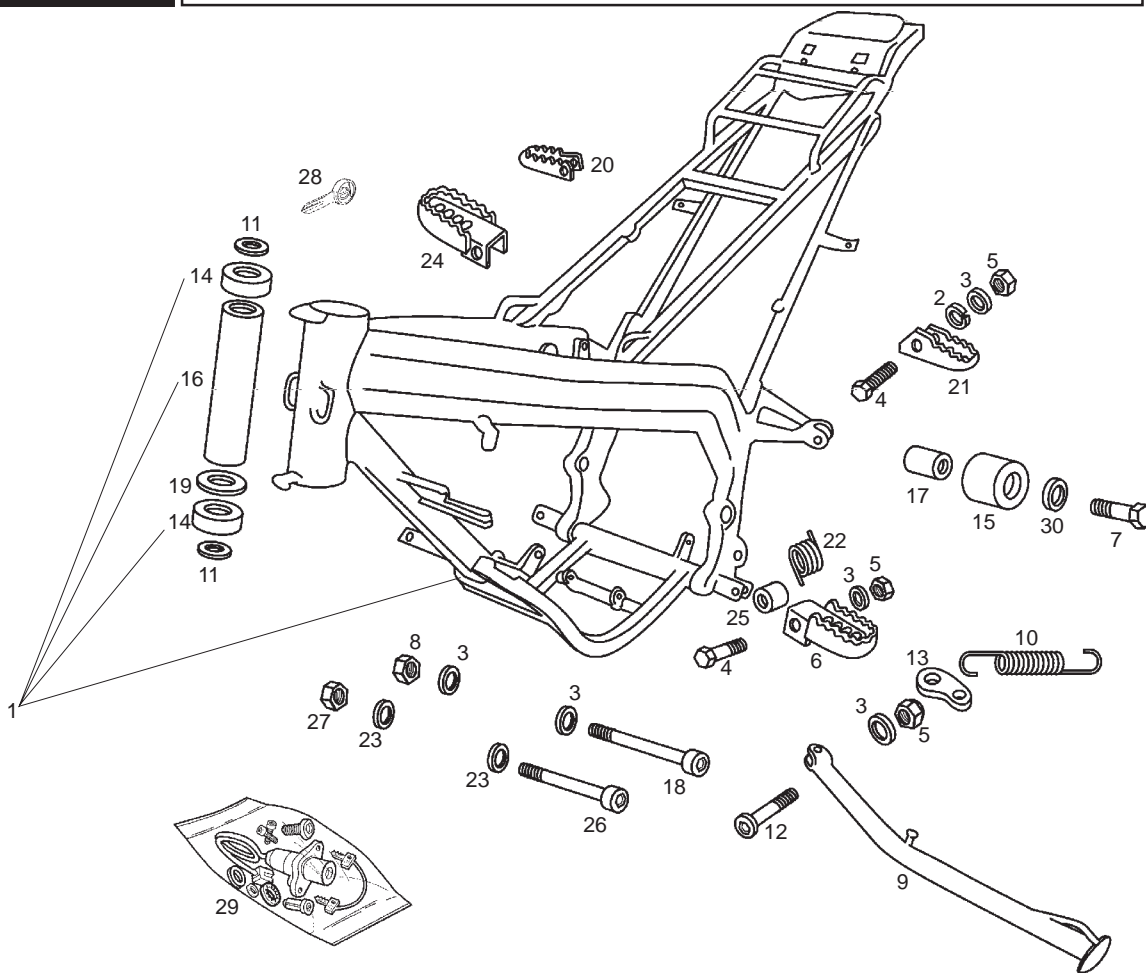


Fig.	Ver.	COD. KOD.	DESCRIPCIÓN DENOMINAZIONE NAME	BEZEICHNUNG DESIGNATION	MOD.	NOTAS NOTES NOTA MITSCHRIFT NOTES
01A		00H01961602	R-CTO CUADRO CON RODAMIENTOS TELAIO FRAME	RAHMEN SOUS ENSEMBLE CADRE	1234567 89ABCD	
02A		00036008000	ARANDELA MUELLE RONDELLA WASHER	SCHEIBE RONDELLE	1234567 89ABCD	
03A		00402080001	ARANDELA D8 RONDELLA WASHER	SCHEIBE RONDELLE	1234567 89ABCD	
04A		00022084021	TORNILLO C/EXAG. 8M125X40 VITE SCREW	SCHRAUBE VIS	1234567 89ABCD	
05A		00023108000	TUERCA AUTOBLOCANTE 8M125 DADO NUT	MUTTER ECROU	1234567 89ABCD	
06A		00H02201312	SCTO. ESTRIBERA IZQUIERDA PILOTO APPOG. SIN. LEFT FOOTREST	FUSSRASTER LINKS REPOSE PIED GAUCHE	1234567 89ABCD	
07A		00022084521	TORNILLO C/EXAG. 8M125X45 VITE SCREW	SCHRAUBE VIS	1234567 89ABCD	
08A		00262080022	TUERCA AUTOBLOCANTE 8M125 DADO NUT	MUTTER ECROU	1234567 89ABCD	
09A		00H00819012	SCTO. PATA CABALLETE ZAMPA CAVALETTA SIDE STAN SUB-ASSY	SEITENSTANDER BEQUILLE LATERALE	1234567 89ABCD	
10A		00H00803082	MUELLE PATA CABALLETE MOLLA ZAMPA CAVALLETTA SIDE STAND SPRING	FEDER GESTELLFUSS AUSSEN RESSORT DE BEQUILLE	1234567 89ABCD	
11A		00008902630	ARANDELA TAPON TUBO PIERNA RONDELLA WASHER	SCHEIBE RONDELLE	1234567 89ABCD	

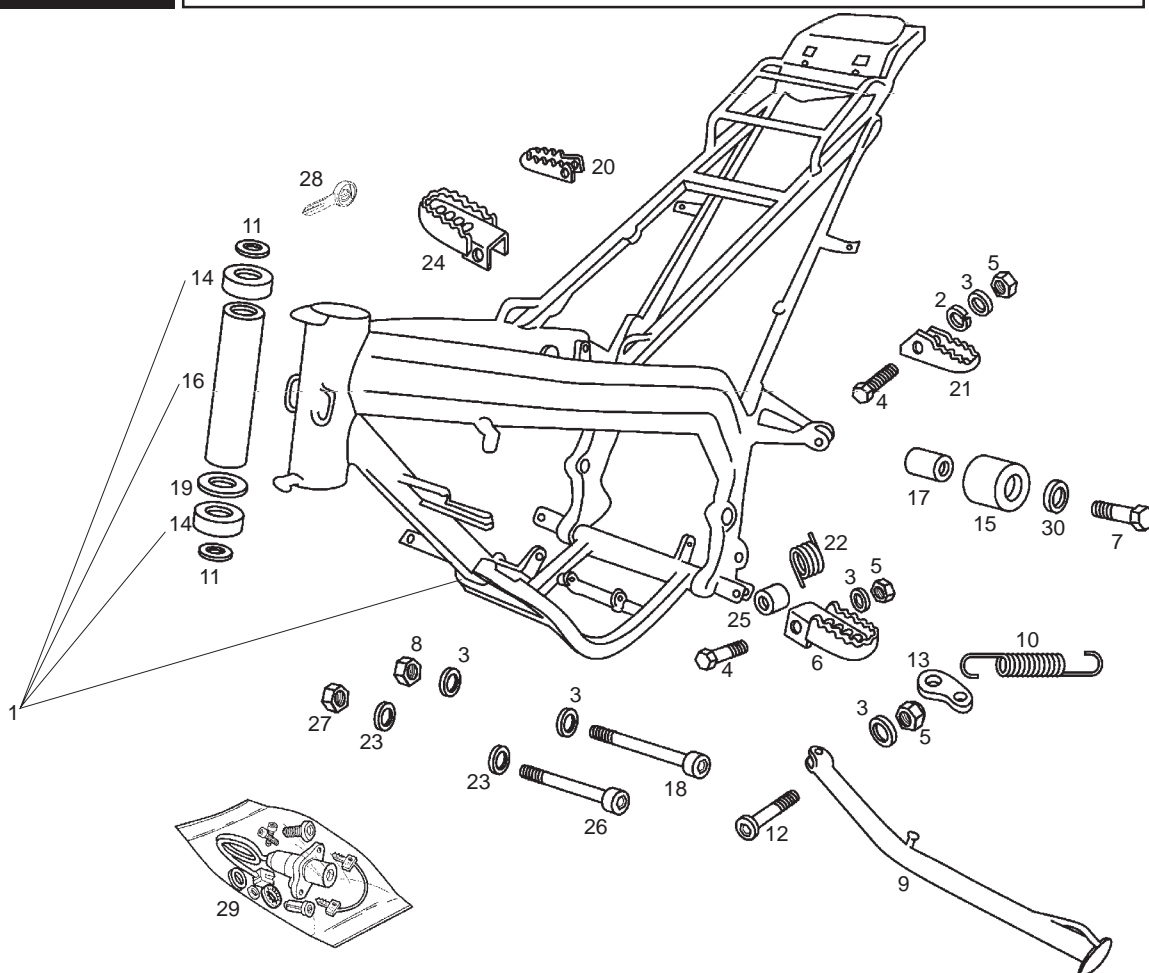


Fig.	Ver.	COD. KOD.	DESCRIPCIÓN DENOMINAZIONE NAME	BEZEICHUNG DESIGNATION	MOD.	NOTAS NOTES NOTA MITSCHRIFT NOTES
12A		00H00805072	TORNILLO FIJ. PATA CABALLETE VITE SCREW	SCHRAUBE VIS	1 2 3 4 5 6 7 8 9 ABCD	
13A		00H00800422	PLACA RETORNO CABALLETE PIASTRINA RITORNO CAVALLETTO G SPRING KIK-STAND SUPPORT	PLATTE F. GESTELLRUCKFUHRU SUPPORT RESSORT DE BEQUILLE	1 2 3 4 5 6 7 8 9 ABCD	
14A		00000056205	COJINETE CUSCINETTO BEARING	LAGER COUSSINET	1 2 3 4 5 6 7 8 9 ABCD	
15A		00H01801771	RODILLO TENSOR CADENA RULLO TENSORE CATENA CHAIN SUPPORTY GUIDE	ROLLE ROULETTE GUIDE CHAINE	1 2 3 4 5 6 7 8 9 ABCD	
16A		00H06301401	TUBO SEPARADOR RDMTO.DIRECC. TUBO SEPARAZIONE CUSCINETTO ST STEERING BEARING SEPARATOR TUB	DISTANZROHR LENKUNGLAGER TUBE SEPARATION ROULEMENT	1 2 3 4 5 6 7 8 9 ABCD	
17A		00002518790	CASQUILLO GUIA CADENA GHIERA SOCKET CHAIN GUIDE	DISTANZ ENTRETOISE GUIDE CHAINE	1 2 3 4 5 6 7 8 9 ABCD	
18A		00H02500272	TORNILLO FIJ.INF.MOTOR ALL.8M125X90 VITE SCREW	SCHRAUBE VIS	1 2 3 4 5 6 7 8 9 ABCD	
19A		00H06500451	ARANDELA COJIN.TUBO DIRECCION RONDELLA BRONZINA TUBO STERZO STEERING TUBE BEARING WASHER G	STEERING TUBE BEARING WASHER G RONDELLE COUSSINET TUBE DIRECT	1 2 3 4 5 6 7 8 9 ABCD	
20A		00D01520096	ESTRIBERA DERECHA PASAJERO PEDANA DESTRA RIGHT FOOT REST	FUSSRASTER RECHTS REPOSE-PIED DROIT	1 2 3 4 5 6 7 8 9 ABCD	
21A		00D01540456	ESTRIBERA IZQUIERDA PASAJERO PEDANA SINISTRA LEFT FOOT REST	FUSSRASTER LINKS REPOSE-PIED GAUCHE	1 2 3 4 5 6 7 8 9 ABCD	
22A		00H04903292	MUELLE FIJACION ESTRIBERA MOLLA FISSAGGIO PREDELLINO PILLION FOOTREST SECURING	FEDER RESSORT	1 2 3 4 5 6 7 8 9 ABCD	

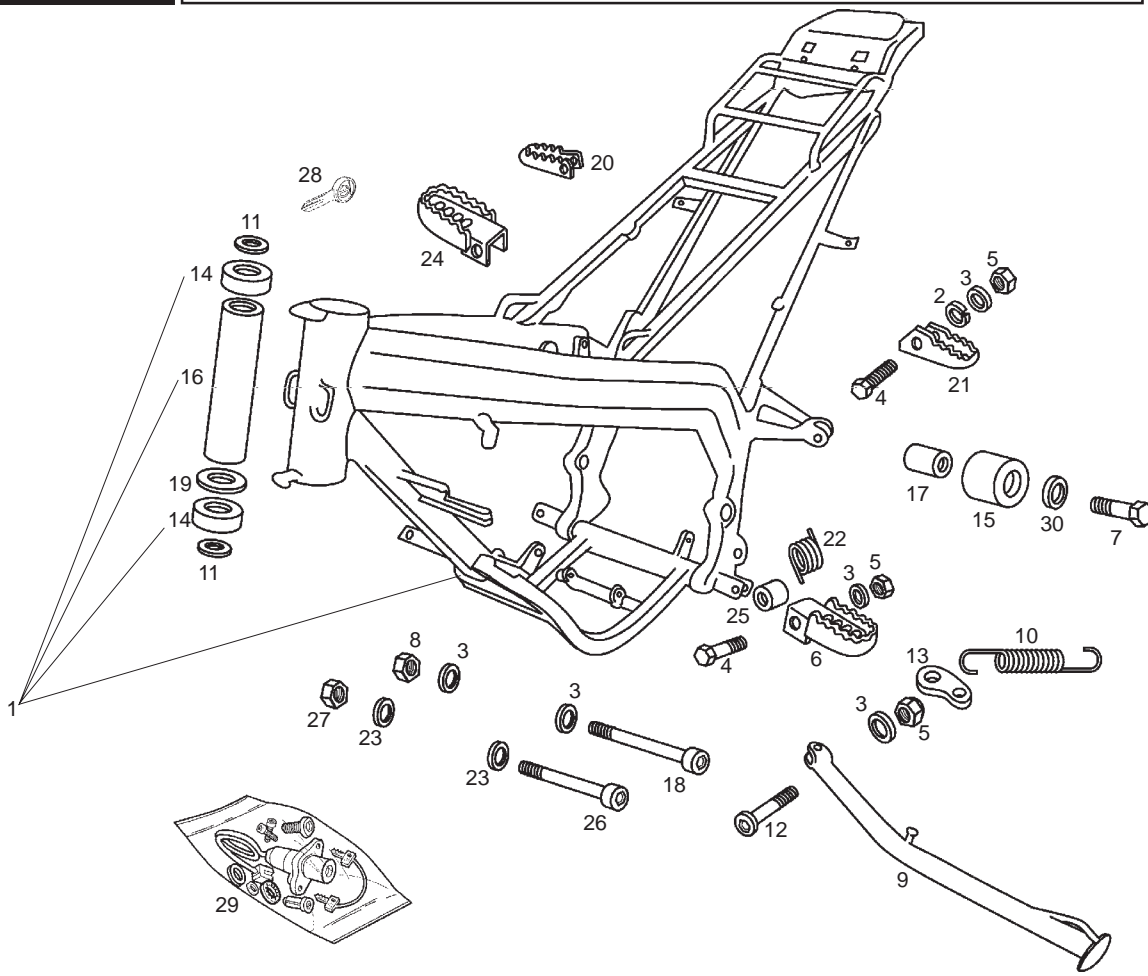


Fig.	Ver.	COD. KOD.	DESCRIPCIÓN DENOMINAZIONE NAME	BEZEICHNUNG DESIGNATION	MOD.	NOTAS NOTES NOTA MITSCHRIFT NOTES
23A		00402100001	ARANDELA PLANA D10 RONDELLA WASHER	SCHEIBE RONDELLE	1 2 3 4 5 6 7 8 9 ABCD	
24A		00H02201302	SCTO. ESTRIBERA DERECHA PILOTO APPOG.DES. RIGHT FOOTREST	FUSSRASTER RECHTS REPOSE PIED DROIT	1 2 3 4 5 6 7 8 9 ABCD	
25A		00002215152	CASQUILLO FIJACION ESTRIBERA GIUNTO SEAL	DICHTRING JOINT	1 2 3 4 5 6 7 8 9 ABCD	
26A		00H03000272	TORNILLO FIJ.DT.MTO.ALL.10M150X100 VITE SCREW	SCHRAUBE VIS	1 2 3 4 5 6 7 8 9 ABCD	
27A		00262100032	TUERCA AUTOBLOCANTE 10M150 DADO NUT	MUTTER ECROU	1 2 3 4 5 6 7 8 9 ABCD	
28A		00F01811411	R-LLAVE CERRADURAS.P/MEC. CHIAVE LOCK KEYS	SCHLUSSEL CLEF	1 2 3 4 5 6 7 8 9 ABCD	
29A		00H05908251	R-CTO. KIT CERRADURAS SIN LEVAS SERRATURE SENZA LEVA LOCK WITH KEYS WITHOUT LEVER	SCHLOOS-SATZ OHNE VERSCHLUSSH. ENS. KIT SERRURES SANS LEVIER	1 2 3 4 5 6 7 8 9 ABCD	
30A		00003306570	ARANDELA FIJACION RONDELLA WASHER	SCHEIBE RONDELLE	1 2 3 4 5 6 7 8 9 ABCD	

PAIOLI Ø36

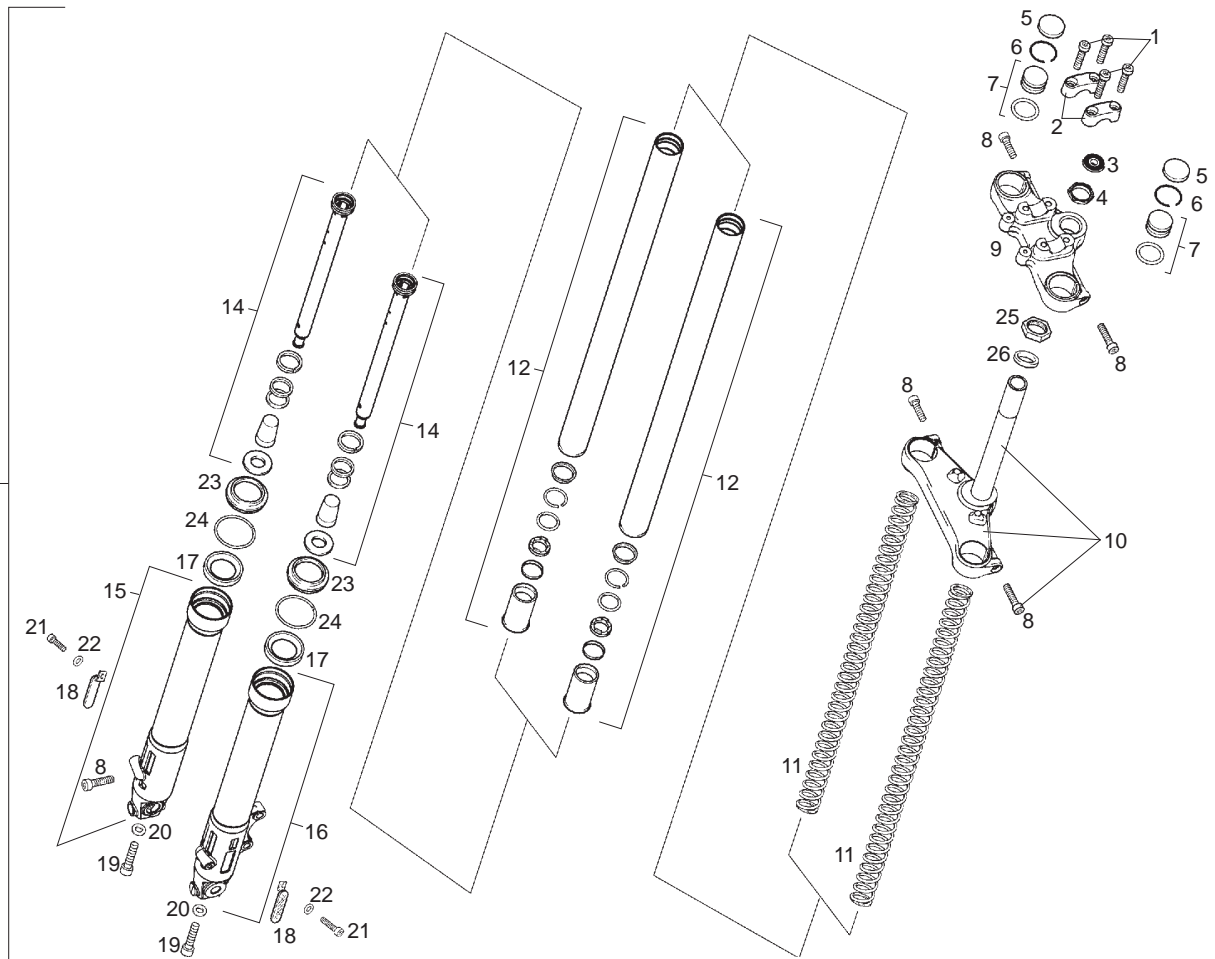
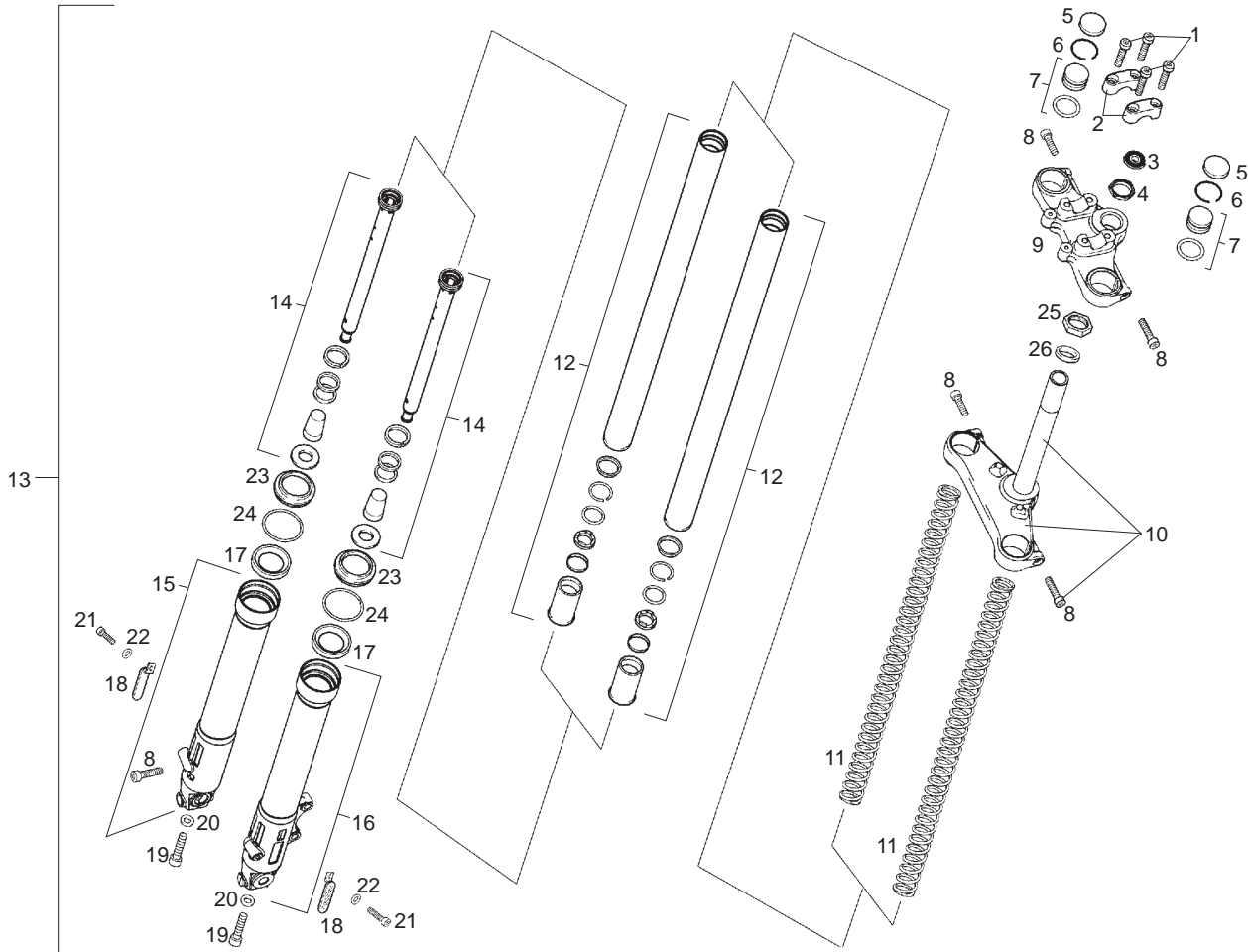


Fig.	Ver.	COD. KOD.	DESCRIPCIÓN DENOMINAZIONE NAME	BEZEICHNUNG DESIGNATION	MOD.	NOTAS NOTES NOTA MITSCHRIFT NOTES
01A		00000004840	TORNILLO C/ALLEN M8X40 VITE SCREW	SCHRAUBE VIS	1 2 3 4 5 6 7 8 9 ABCD	UNTIL FRAME 6H326557
02A		00H00203741	R-BRIDA FIJ. MANILLAR FLANGIA CLAMP	BEF.-SCHELLE ENTRETOISE	1 2 3 4 5 6 7 8 9 ABCD	UNTIL FRAME 6H326557
03A		00H00202761	R-GUARDAPOLVO DIRECCION PARAPOLVERE SUPL.DUSTGUARD	STAUBFANGER POUSSIERE	1 2 3 4 5 6 7 8 9 ABCD	UNTIL FRAME 6H326557
04A		00H00204601	R-TUERCA PLATINA SUP. DADO NUT	MUTTER ECROU	1 2 3 4 5 6 7 8 9 ABCD	UNTIL FRAME 6H326557
05A		00H02003541	R-TAPA TAPON TUBO PIERNA TAPPO RESERVOIR	STOPFEN BOUCHON	1 2 3 4 5 6 7 8 9 ABCD	UNTIL FRAME 6H326557
06A		00H00202501	R-ANILLO TORICO TAPON TUBO PNA. ANELLO TORICO O-RING	O-RING JOINT DE JAUGE	1 2 3 4 5 6 7 8 9 ABCD	UNTIL FRAME 6H326557
07A		00H00205271	R-CTO. TAPON PNA. HORQUILLA TAPPO GAMBA FORCELLA FORK TUBE CAP	PFROPFEN F. GABELSCHENKEL BOUCHON	1 2 3 4 5 6 7 8 9 ABCD	UNTIL FRAME 6H326557
08A		00022083521	TORNILLO C/ALLEN 8M125X35 VITE SCREW	SCHRAUBE VIS	1 2 3 4 5 6 7 8 9 ABCD	UNTIL FRAME 6H326557
09A		00H00213092	R-PLATINA SUPERIOR FLANGIA SUP. FORCELLA HANDLEBAR LOCK CLAMP	BUGEL ETRIER FIX. GUIDON	1 2 3 4 5 6 7 8 9 ABCD	UNTIL FRAME 6H326557
10A		00H00211012	R-CTO. TIJA PLATINA FUSTO PIASTRA LOWER TRIPLE CLAMP	SATTELSTANGE PLATINE INF. AVEC PIVOT	1 2 3 4 5 6 7 8 9 ABCD	UNTIL FRAME 6H326557
11A		00H00211171	R-MUELLE HORQUILLA MOLLA FORCELLA FORK SPRING	GABELFEDER RESSORT DE FOURCHE	1 2 3 4 5 6 7 8 9 ABCD	UNTIL FRAME 6H326557



PAIOLI ø36

Fig.	Ver.	COD. KOD.	DESCRIPCIÓN DENOMINAZIONE NAME	BEZEICHNUNG DESIGNATION	MOD.	NOTAS NOTES NOTA MITSCHRIFT NOTES
12A		00H02003871	R-CTO. BARRA HORQUILLA BARRA GAMBA FORCELLA FORK BAR	GABELSTANKE BARRE DE FOURCHE	1 2 3 4 5 6 7 8 9 A B C D	UNTIL FRAME 6H326557
13A		00H00226003	CTO. HORQUILLA DIRECTRIZ FORCELLA DIRETT FORK ASSY	LENKGABEL FOURCHE DIRITICE	1 2 3 4 5 6 7 8 9 A B C D	UNTIL FRAME 6H326557
14A		00H00203531	R-CTO. TUBO HIDRAULICO TUBO IDRAULICO DAMPER TUBE	HYDRAULIKROHR TUBE HYDRAULIQUE	1 2 3 4 5 6 7 8 9 A B C D	UNTIL FRAME 6H326557
15A		00H02013031	R-PIERNA HORQUILLA DR. GAMBA FORCELLA DE. RH. FORK TUBE LOWER	PFROPFEN F. GABELSCHENKEL RE. BOUCHON DROITE	1 2 3 4 5 6 7 8 9 A B C D	UNTIL FRAME 6H326557
16A		00H02017041	R-PIERNA HORQUILLA IZ. GAMBA FORCELLA SI. LH. FORK TUBE LOWER	PFROPFEN F. GABELSCHENKEL LI. BOUCHON GAUCHE	1 2 3 4 5 6 7 8 9 A B C D	UNTIL FRAME 6H326557
17A		00H00204471	R-RETEN PIERNA HORQUILLA GIUNTA SEAL	DICHTRING JOINT	1 2 3 4 5 6 7 8 9 A B C D	UNTIL FRAME 6H326557
18A		00H01802081	CAPTAFAROS CATARIFRANGENTE REFLECTOR	TRAHLER CATADIOPTRE	1 2 3 4 5 6 7 8 9 A B C D	UNTIL FRAME 6H326557
19A		00004013500	TORNILLO M10X35 VITE SCREW	SCHRAUBE VIS	1 2 3 4 5 6 7 8 9 A B C D	UNTIL FRAME 6H326557
20A		00000031100	ARANDELA PLANA D10 RONDELLA WASHER	SCHEIBE RONDELLE	1 2 3 4 5 6 7 8 9 A B C D	UNTIL FRAME 6H326557
21A		00008061500	TORNILLO C/RED. ALLEN 6M100X16 VITE SCREW	SCHRAUBE VIS	1 2 3 4 5 6 7 8 9 A B C D	UNTIL FRAME 6H326557
22A		00031106000	ARANDELA PLANA D6 RONDELLA WASHER	SCHEIBE RONDELLE	1 2 3 4 5 6 7 8 9 A B C D	UNTIL FRAME 6H326557

PAIOLI Ø36

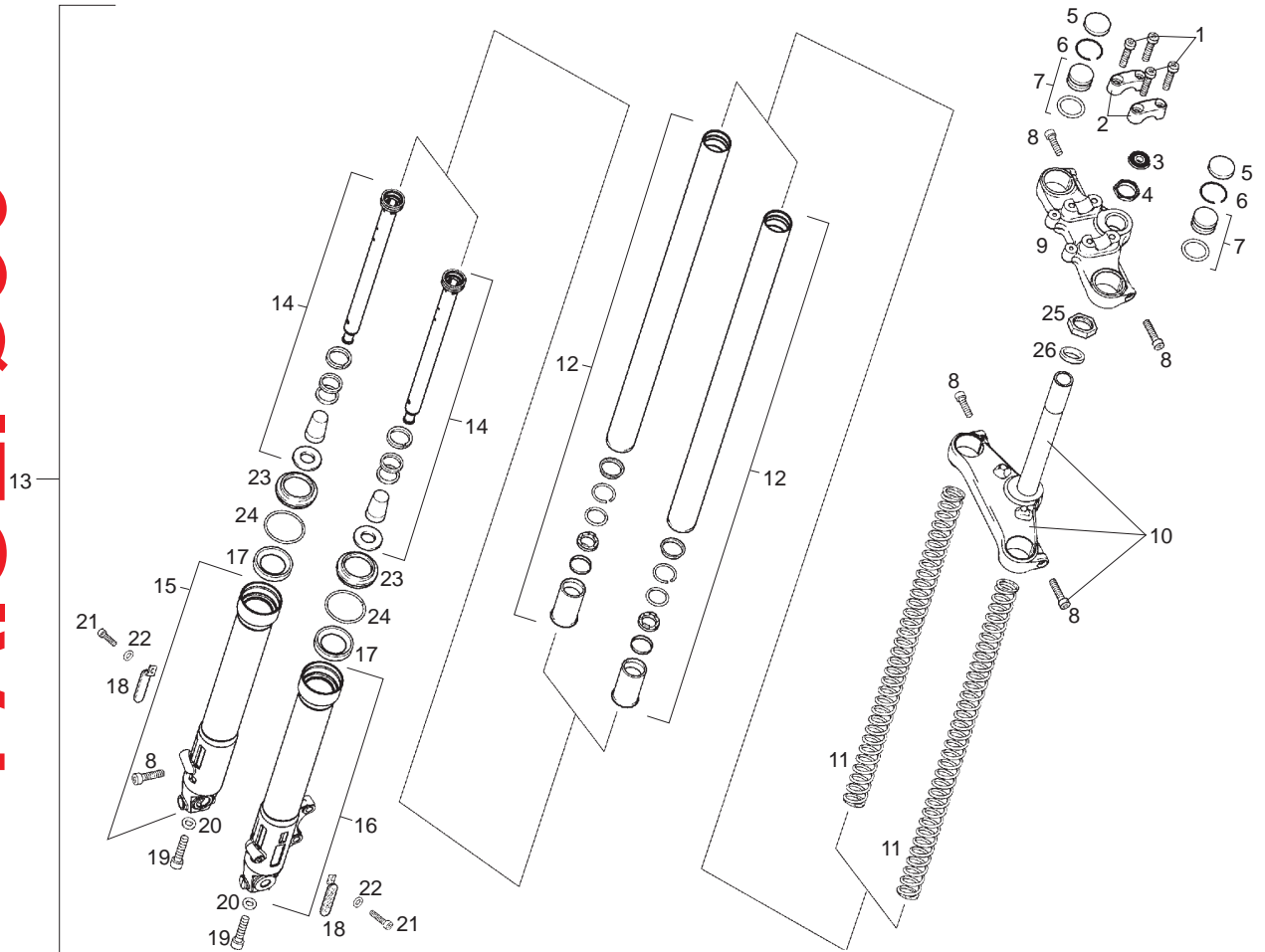
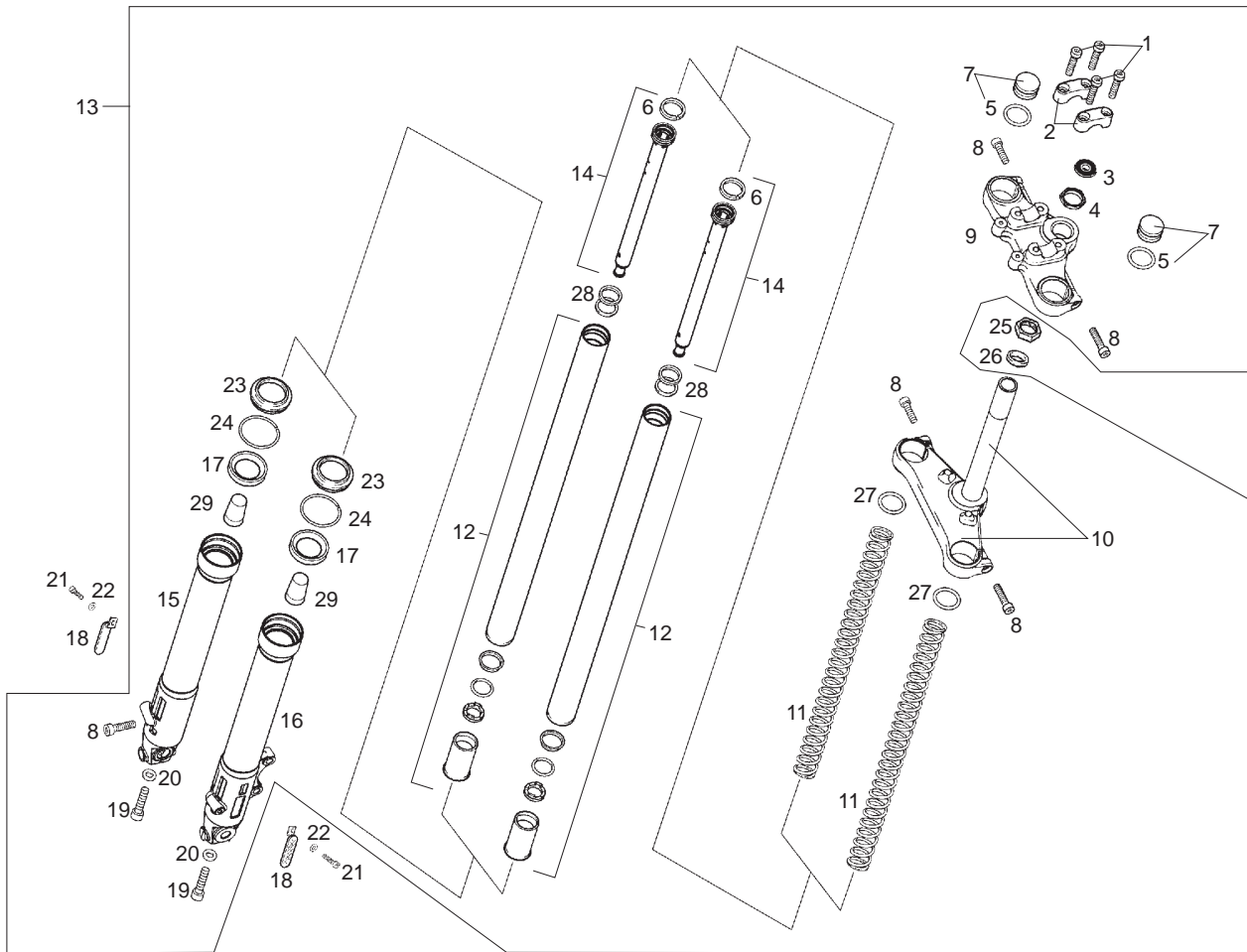


Fig.	Ver.	COD. KOD.	DESCRIPCIÓN DENOMINAZIONE NAME	BEZEICHNUNG DESIGNATION	MOD.	NOTAS NOTES NOTA MITSCHRIFT NOTES
23A		00H00204231	R-GUARDAPOLVO PNA.HORQ PARAPOLVERE DUSTGUARD	STAUBFANGER POUSSIÈRE	1 2 3 4 5 6 7 8 9 ABCD	UNTIL FRAME 6H326557
24A		00H00201701	R-ANILLO RETEN ACEITE ANELLO TORICO O-RING	O-RING JOINT DE JAUGE	1 2 3 4 5 6 7 8 9 ABCD	UNTIL FRAME 6H326557
25A		00G00200112	TUERCA FIJACION TIJA DADO NUT	MUTTER ECROU	1 2 3 4 5 6 7 8 9 ABCD	UNTIL FRAME 6H326557
26A		00D00200761	R-GUARDAPOLVO DIRECCION PARAPOLVERE DUSTGUARD	STAUBFANGER POUSSIÈRE	1 2 3 4 5 6 7 8 9 ABCD	UNTIL FRAME 6H326557



PAIOLI ø37

Fig.	Ver.	COD. KOD.	DESCRIPCIÓN DENOMINAZIONE NAME	BEZEICHNUNG DESIGNATION	MOD.	NOTAS NOTES NOTA MITSCHRIFT NOTES
01A		863143	TORNILLO M8X40 VITE SCREW	SCHRAUBE VIS	1 2 3 4 5 6 7 8 9 ABCD	SINCE FRAME 6H326558
02A		863144	PUNTE FIJACION MANILLAR CAVALLOTTO CLAMP	BEF.-SCHELLE ENTRETOISE	1 2 3 4 5 6 7 8 9 ABCD	SINCE FRAME 6H326558
03A		863145	GUARDAPOLVO PARAPOLVERE DUSTGUARD	STAUFANGER POUSSIÈRE	1 2 3 4 5 6 7 8 9 ABCD	SINCE FRAME 6H326558
04A	00H00204601		TUERCA PLATINA SUPERIOR DADO NUT	MUTTER ECROU	1 2 3 4 5 6 7 8 9 ABCD	SINCE FRAME 6H326558
05A		863146	ANILLO TORICO ANELLO TORICO O-RING	O-RING JOINT	1 2 3 4 5 6 7 8 9 ABCD	SINCE FRAME 6H326558
06A		863147	ANILLO PISTON HIDRAULICO ANELLO RING	RING JOINT	1 2 3 4 5 6 7 8 9 ABCD	SINCE FRAME 6H326558
07A		863148	CTO TAPON PIERNA HORQUILLA TAPPO GAMBA FORCELLA FORK TUBE CAP	PFROPFEN F. GABELSCHENKEL BOUCHON	1 2 3 4 5 6 7 8 9 ABCD	SINCE FRAME 6H326558
08A		863149	TORNILLO M8X35 VITE SCREW	SCHRAUBE VIS	1 2 3 4 5 6 7 8 9 ABCD	SINCE FRAME 6H326558
09A		863150	PLATINA SUPERIOR FLANGIA SUP. FORCELLA HANDLEBAR LOCK CLAMP	BUGEL ETRIER FIX. GUIDON	1 2 3 4 5 6 7 8 9 ABCD	SINCE FRAME 6H326558
10A		863151	CTO TIJA PLATINA FUSTO PIASTRA LOWER TRIPLE CLAMP	SATTELSTANGE PLATINE INF. AVEC PIVOT	1 2 3 4 5 6 7 8 9 ABCD	SINCE FRAME 6H326558
11A		863152	MUELLE HORQUILLA MOLLA FORCELLA FORK SPRING	GABELFEDER RESSORT DE FOURCHE	1 2 3 4 5 6 7 8 9 ABCD	SINCE FRAME 6H326558

PAIOLI Ø37

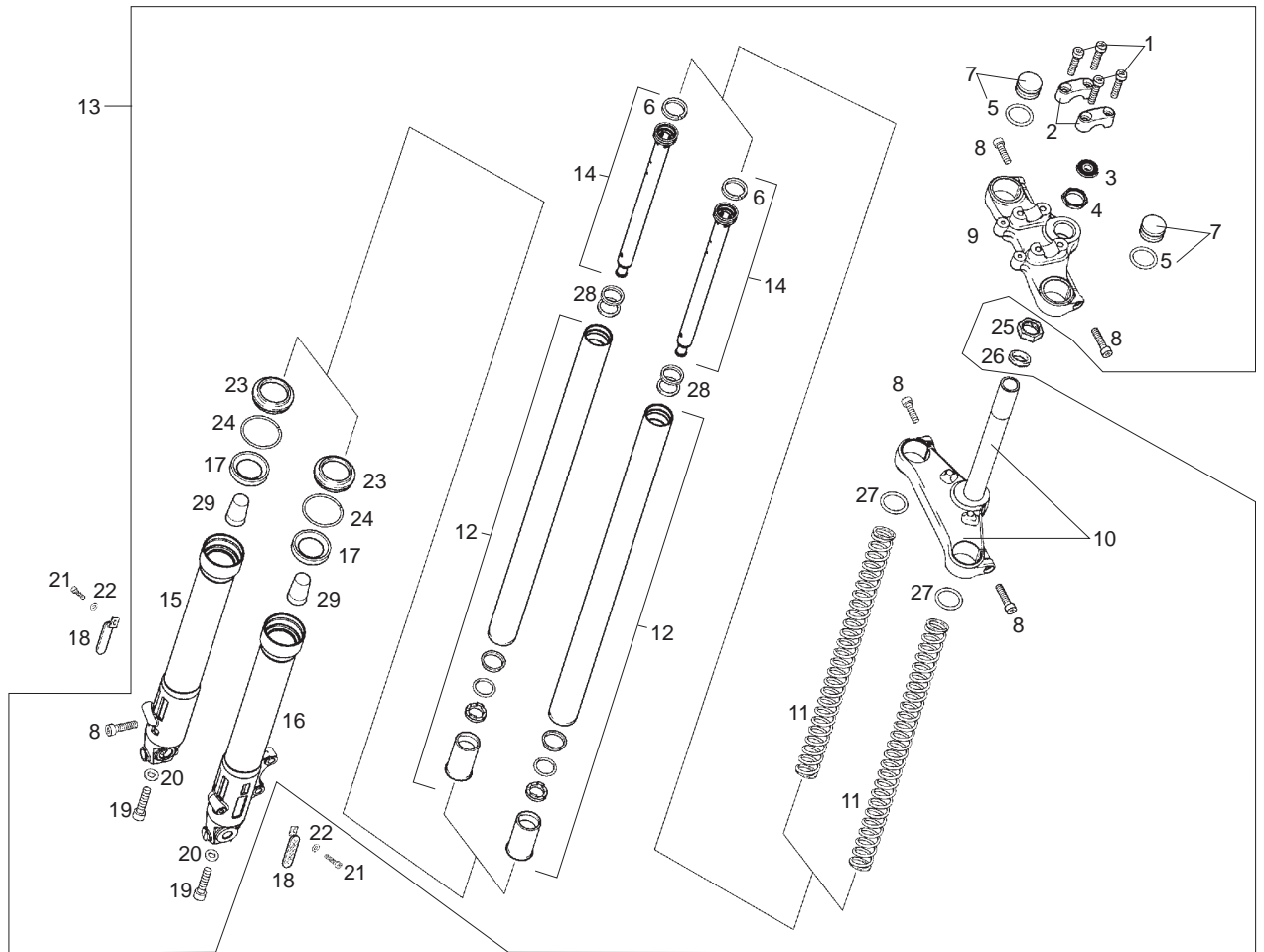
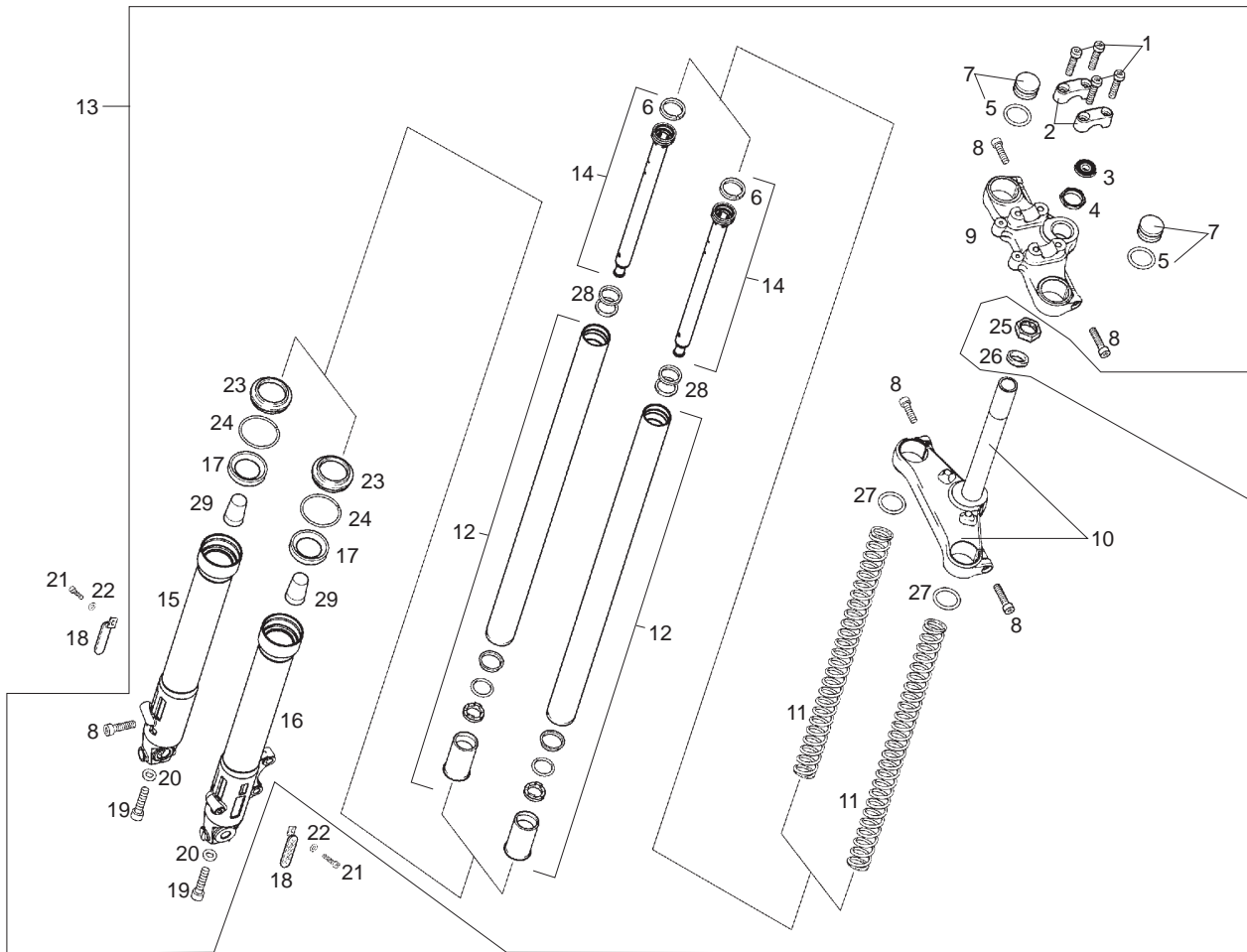


Fig.	Ver.	COD. KOD.	DESCRIPCIÓN DENOMINAZIONE NAME	BEZEICHUNG DESIGNATION	MOD.	NOTAS NOTES NOTA MITSCHRIFT NOTES
12A		863153	CTO BARRA HORQUILLA BARRA GAMBA FORCELLA FORK BAR	GABELSTANKE BARRE DE FOURCHE	1 2 3 4 5 6 7 8 9 ABCD	SINCE FRAME 6H326558
13A		861001	CTO HORQUILLA FORCELLA DIRETT FORK ASSY	LENGGABEL FOURCHE DIRITICE	1 2 3 4 5 6 7 8 9 ABCD	SINCE FRAME 6H326558
14A		863154	SCTO TUBO HIDRAULICO TUBO IDRAULICO DAMPER TUBE	HYDRAULIKROHR TUBE HYDRAULIQUE	1 2 3 4 5 6 7 8 9 ABCD	SINCE FRAME 6H326558
15A		863155	PIERNA HORQUILLA DERECHA GAMBA FORCELLA DE. RH. FORK TUBE LOWER	PFROPFEN F. GABELSCHENKEL RE.	1 2 3 4 5 6 7 8 9 ABCD	SINCE FRAME 6H326558
16A		863156	PIERNA HORQUILLA IZQUIERDA GAMBA FORCELLA SI. LH. FORK TUBE LOWER	PFROPFEN F. GABELSCHENKEL LI.	1 2 3 4 5 6 7 8 9 ABCD	SINCE FRAME 6H326558
17A		863157	RETEN PIERNA HORQUILLA PARAOLIO SEAL	DICHTRING JOINT	1 2 3 4 5 6 7 8 9 ABCD	SINCE FRAME 6H326558
18A		00H01802081	CAPTAFAROS CATARIFRANGENTE REFLECTOR	TRAHLER CATADIOPTRE	1 2 3 4 5 6 7 8 9 ABCD	SINCE FRAME 6H326558
19A		863158	TORNILLO M10X35 VITE SCREW	SCHRAUBE VIS	1 2 3 4 5 6 7 8 9 ABCD	SINCE FRAME 6H326558
20A		863159	ARANDELA COBRE RONDELLA WASHER	SCHEIBE RONDELLE	1 2 3 4 5 6 7 8 9 ABCD	SINCE FRAME 6H326558
21A		00008061500	TORNILLO C/RED. ALLEN 6M100X16 VITE SCREW	SCHRAUBE VIS	1 2 3 4 5 6 7 8 9 ABCD	SINCE FRAME 6H326558
22A		00031106000	ARANDELA PLANA D6 RONDELLA WASHER	SCHEIBE RONDELLE	1 2 3 4 5 6 7 8 9 ABCD	SINCE FRAME 6H326558



PAIOLI ø37

Fig.	Ver.	COD. KOD.	DESCRIPCIÓN DENOMINAZIONE NAME	BEZEICHNUNG DESIGNATION	MOD.	NOTAS NOTES NOTA MITSCHRIFT NOTES
23A		863160	GUARDAPOLVO PIERNA HORQUILLA PARAPOLVERE DUSTGUARD	STAUBFANGER POUSSIÈRE	1 2 3 4 5 6 7 8 9 ABCD	SINCE FRAME 6H326558
24A		863161	ANILLO RETENACEITE ANELLO FERMA PARAOLIO O-RING	O-RING JOINT DE JAUGE	1 2 3 4 5 6 7 8 9 ABCD	SINCE FRAME 6H326558
25A		00G00200112	TUERCA FIJACION TIJA DADO NUT	MUTTER ECROU	1 2 3 4 5 6 7 8 9 ABCD	SINCE FRAME 6H326558
26A		00D00200761	GUARDAPOLVO DIRECCION PARAPOLVERE DUSTGUARD	STAUBFANGER POUSSIÈRE	1 2 3 4 5 6 7 8 9 ABCD	SINCE FRAME 6H326558
27A		863162	ARANDELA RONDELLA WASHER	SCHEIBE RONDELLE	1 2 3 4 5 6 7 8 9 ABCD	SINCE FRAME 6H326558
28A		863163	MUELLE PISTON HIDRAULICO MOLLA SPRING	FEDER RESSORT	1 2 3 4 5 6 7 8 9 ABCD	SINCE FRAME 6H326558
29A		863164	CASQUILLO CONICO GHIERA BUSHING	BUCHSE ENTRETOISE	1 2 3 4 5 6 7 8 9 ABCD	SINCE FRAME 6H326558

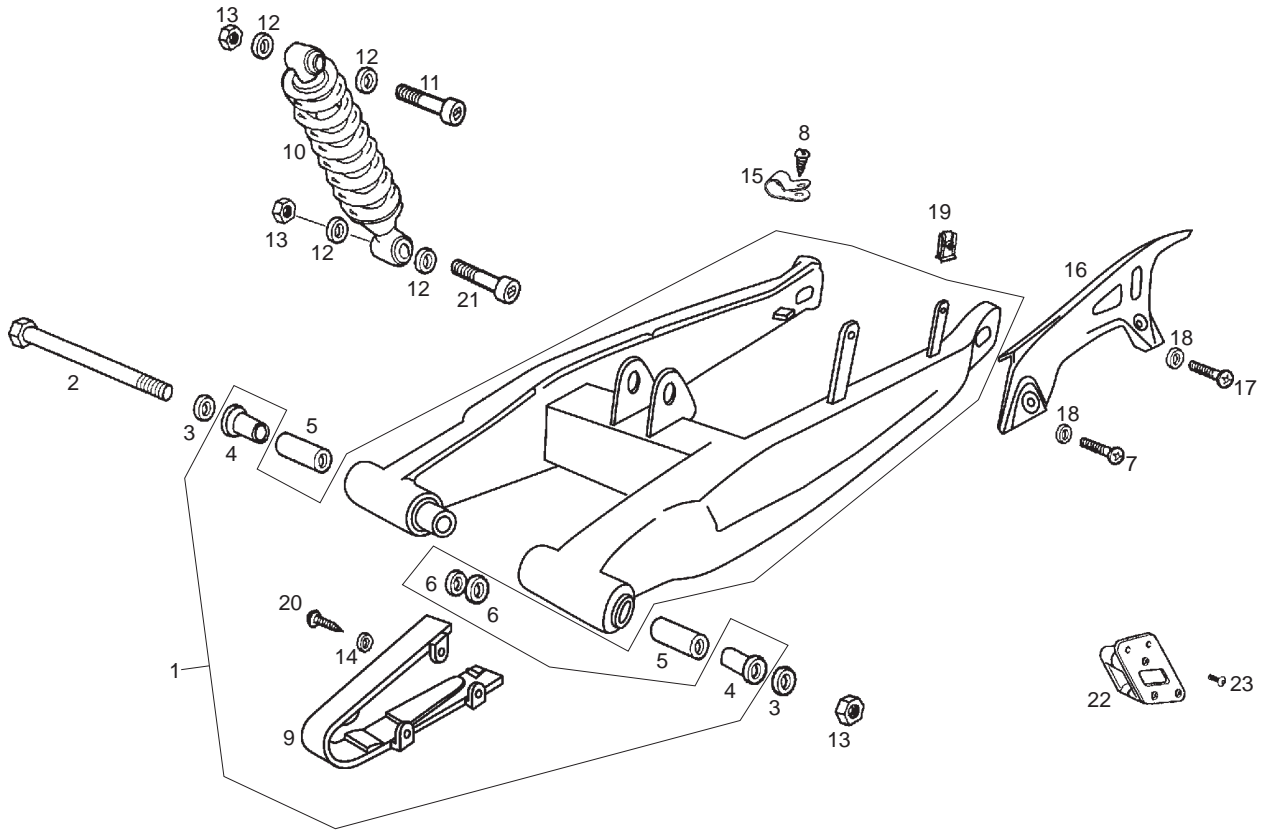


Fig.	Ver.	COD. KOD.	DESCRIPCIÓN DENOMINAZIONE NAME	BEZEICHNUNG DESIGNATION	MOD.	NOTAS NOTES NOTA MITSCHRIFT NOTES
01A		00H00308971	R-CTO BASCULANTE C/CASQUILLOS SUBRIBALTABILE SWING ARM SUB-ASSY	SCHWINGENACHSE BRAS OSCILLANT	1 2 3 4 5 6 7 8 9 ABCD	
02A		00H01304202	CTO. EJE RDA. TRAS. ASSE RUOTA POST. REAR WHEEL AXLE	HINTERRADACHSE AXE ROUE ARRIERE	1 2 3 4 5 6 7 8 9 ABCD	
03A		00003112322	ARANDELA EJE RUEDA. RONDELLA WASHER	SCHEIBE RONDELLE	1 2 3 4 5 6 7 8 9 ABCD	
04A		00002503230	CASQUILLO EJE BASCTE GHIERAASSE RIBALTABILE SWING ARM BUSHING	BUCHSE ENTRETOISE AXE BRAS OSCIL	1 2 3 4 5 6 7 8 9 ABCD	
05A		00H00301401	CASQUILLO GHIERA ORECCHIA MOTORE ENGINE BRACKET BUFFER BUSHING	BUCHSE ENTRETOISE AXE BRAS OSCIL	1 2 3 4 5 6 7 8 9 ABCD	
06A		00D01300192	ARANDELA EJE RONDELLA WASHER	SCHEIBE RONDELLE	1 2 3 4 5 6 7 8 9 ABCD	
07A		00012061000	TORNILLO C/RED. CRUZ 6 X 12 VITE SCREW	SCHRAUBE VIS	1 2 3 4 5 6 7 8 9 ABCD	
08A		00011041300	TORNILLO AUTR. C/CRUZ 4,8 X 13 VITE SCREW	SCHRAUBE VIS	1 2 3 4 5 6 7 8 9 ABCD	
09A		00H01803331	PLACA ROZAMTO.CADENA. PIASTRAATTRITO CATENA CHAIN FORCHIN PLATE	KETTEN-REIBPLATTE PLAQUE GLISSEMENT CHAINE	1 2 3 4 5 6 7 8 9 ABCD	
10A		00H01508191	CTO.AMORTIGUADOR AMMORTIZZATORE SHOCK ABSORBER.	FEDERBEIN AMORTISSEUR	1 2 3 4 5 6 7 8 9 ABCD	

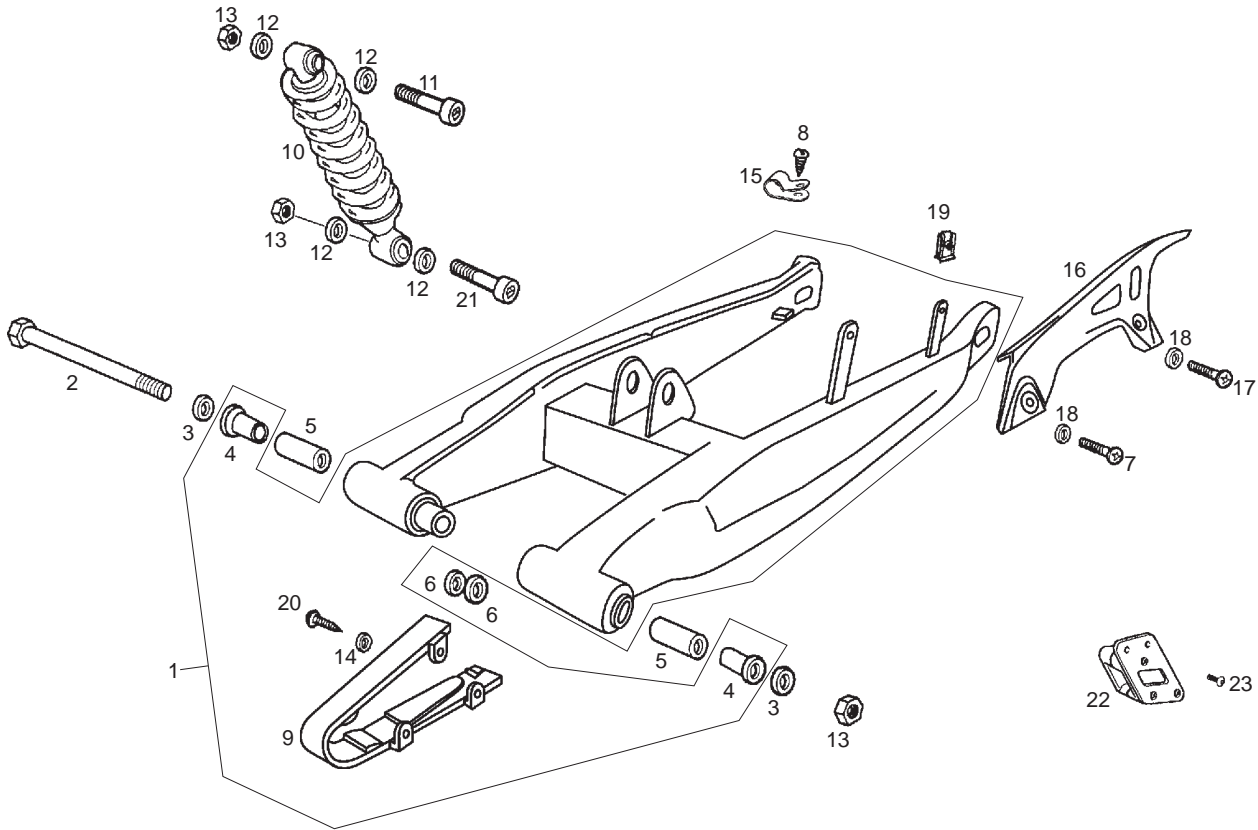


Fig.	Ver.	COD. KOD.	DESCRIPCIÓN DENOMINAZIONE NAME	BEZEICHNUNG DESIGNATION	MOD.	NOTAS NOTES NOTA MITSCHRIFT NOTES
11A		00H00303892	TORNILLO FIJ.SUP.AMORTIGUADOR VITE SCREW	SCHRAUBE VIS	1234567 89ABCD	
12A		00003115422	ARANDELA RONDELLA WASHER	SCHEIBE RONDELLE	1234567 89ABCD	
13A		00023112000	TUERCA AUTOBLOCANTE 12M175 DADO NUT	MUTTER ECROU	1234567 89ABCD	
14A		00000031050	ARANDELA PLANA D5 RONDELLA WASHER	SCHEIBE RONDELLE	1234567 89ABCD	
15A		00H01501811	BRIDA FLANGIA CLAMP	BEF.-SCHELLE ENTRETOISE	1234567 89ABCD	
16A		00H01508181	CUBRE CADENAS COPRICATENA CHAIN COVER	KETTENSCHUTZ COUVRE CHAINE	1234567 89ABCD	
17A		00012161600	TORNILLO C/CRUZ.NG.6M100X16 VITE SCREW	SCHRAUBE VIS	1234567 89ABCD	
18A		00D01200171	ARANDELA RONDELLA WASHER	SCHEIBE RONDELLE	1234567 89ABCD	
19A		00D01501371	TUERCA FIJACION D6 DADO NUT	MUTTER ECROU	1234567 89ABCD	
20A		00011141300	TORNILLO AUT.C/CR.NG.4,8X13 VITE SCREW	SCHRAUBE VIS	1234567 89ABCD	

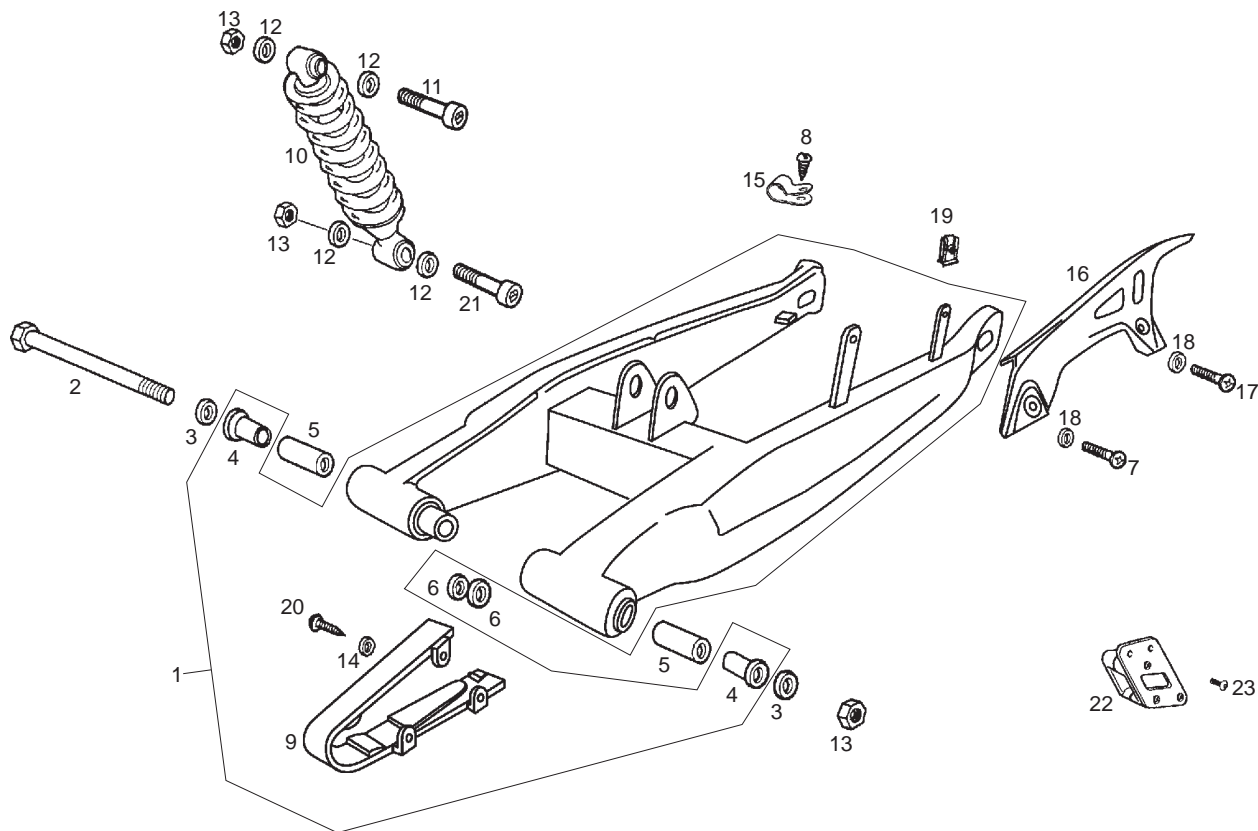


Fig.	Ver.	COD. KOD.	DESCRIPCIÓN DENOMINAZIONE NAME	BEZEICHNUNG DESIGNATION	MOD.	NOTAS NOTES NOTA MITSCHRIFT NOTES
21A		00H00300912	TORN. INF. AMORT. 12 X 45 VITE FISSAGGIO AMORT. SHOCK ABSORBER SEC. SCREW	SOTSSDMPFER BEFESTIGUNGSM VIS FIXATION AMORTISSEUR	1 2 3 4 5 6 7 8 9 ABCD	
22A		00H01502871	CTO GUIA CADENA GUIDA CATENA CHAIN GUIDE	GLEITBAHN GUIDE CHAINE	1 2 3 4 5 6 7 8 9 ABCD	
23A		00012061000	TORNILLO C/REDONDA 6X10 VITE SCREW	SCHRAUBE VIS	1 2 3 4 5 6 7 8 9 ABCD	

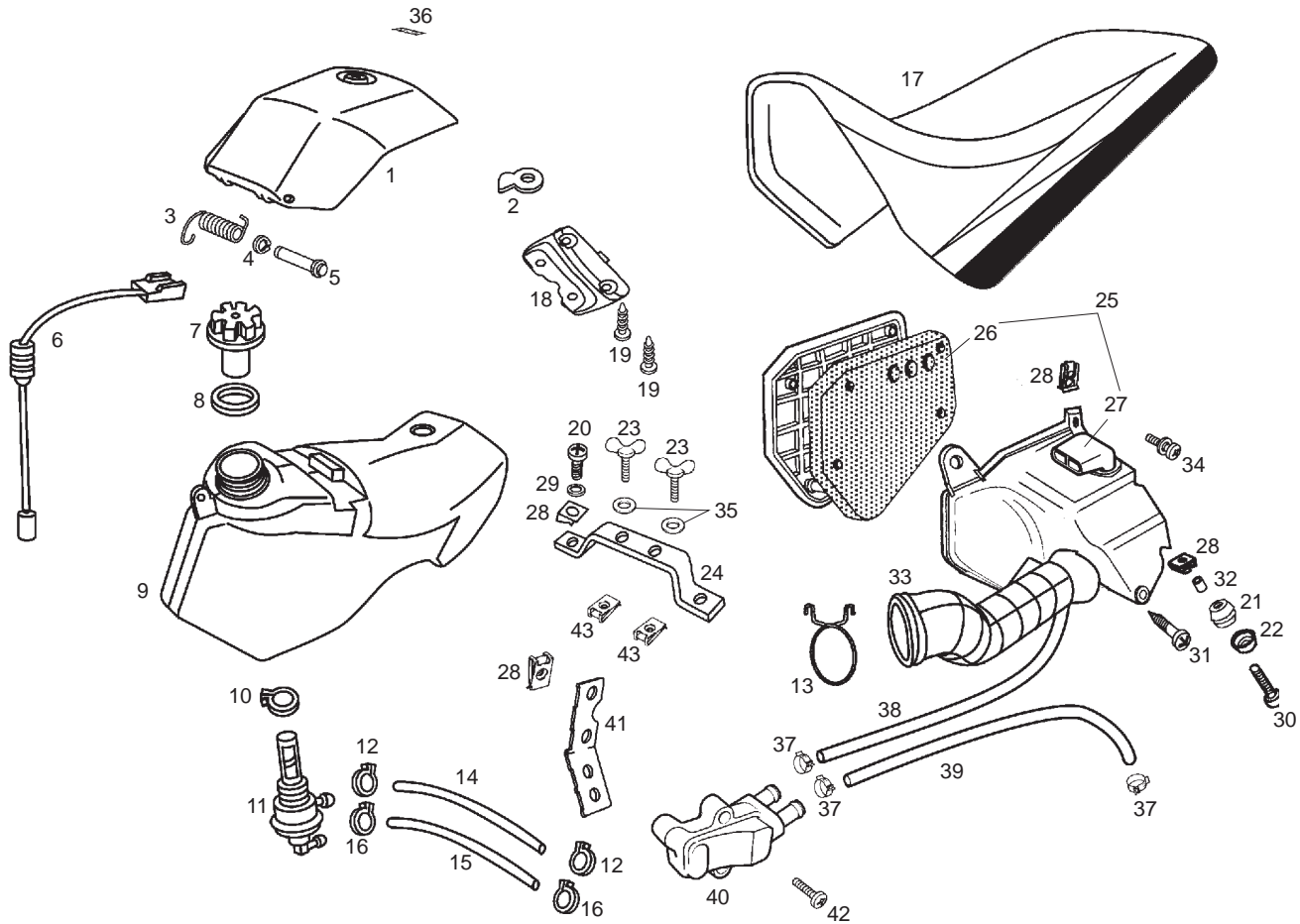


Fig.	Ver.	COD. KOD.	DESCRIPCIÓN DENOMINAZIONE NAME	BEZEICHNUNG DESIGNATION	MOD.	NOTAS NOTES NOTA MITSCHRIFT NOTES
01A		00H00404687	TAPA SUPERIOR DEPOSITO SUBCOMP.CARCASSA SUP.SERB. TOP TANK FRAME	TANKKLAPPE COUVERCLE DE RESERVOIR	1234567 89ABCD	
02A		00H00604141	PALANCA CIERRE LEVA LEVER	SCHLOSS-VERSCHLUSSHEBEL LEVIER FERMETURE SELLE	1234567 89ABCD	
03A		00H06303762	MUELLE ARTIC.TAPA DEPOSITO MOLLAARTIC. COPER. SUP. SERB. SPRING	RITZELFEDER RESSORT	1234567 89ABCD	
04A		00047030400	ANILLO SEGURIDAD D4 ANELLO SICUREZZA ASSI PIN SECURING CIRCLIP	SICHERHEITSRING ACHSE ANNEAU SECURITE AXE	1234567 89ABCD	
05A		00H06303752	EJE ARTIC.TAPA DEPOSITO ASSE ARTIC. COPER. SUP.SERB. AXLE	STIFT AXE	1234567 89ABCD	
06A		00H04302181	CTO. NIVEL GASOLINA LIVELLO BENZINA GAS LEVEL SENSOR ASSY.	KRAFTSTOFFSTAND ENSEMBLE FLOTTEUR ESSENCE	1234567 89ABCD	
07A		00F00400131	CTO. TAPON DEPOSITO GASOLINA TAPPO SERBATOIO BENZINA FUEL TANK CAP ASSY	FUEL TANK CAP ASSY ENS.BOUCHON RESERV.ESSENCE V.B	1234567 89ABCD	
08A		00F00400771	R-ARANDELA TAPON DEPOSITO RONDELLA TAPPO SERBATOIO FUEL TANK CAP WASHER	SCHEIBE F.TANKDECKEL R-RONDELLE BOUCHON RESERVOI	1234567 89ABCD	
09A		00H00406011	DEPOSITO.GASOLINA SERBATOIO BENZINA FUEL TANK	BENZINTANK RESERVOIR ESSENCE	1234567 89ABCD	
10A		00G00400501	ABRAZADERA FASCETTA FISSAGGIO RUBINETTO FUEL COCK SECURING CLAMP	BEF.-SCHELLE F.HAHN BRIDE FIXATION ROBINET	1234567 89ABCD	
11A		00G00400181	CTO GRIFO GASOLINA RUBINETTO BENZINA FUEL COCK ASSY	KRAFTSTOFFHAHN UNTERDRUCK ENSEMBLE ROBINET ESSENCE	1234567 89ABCD	

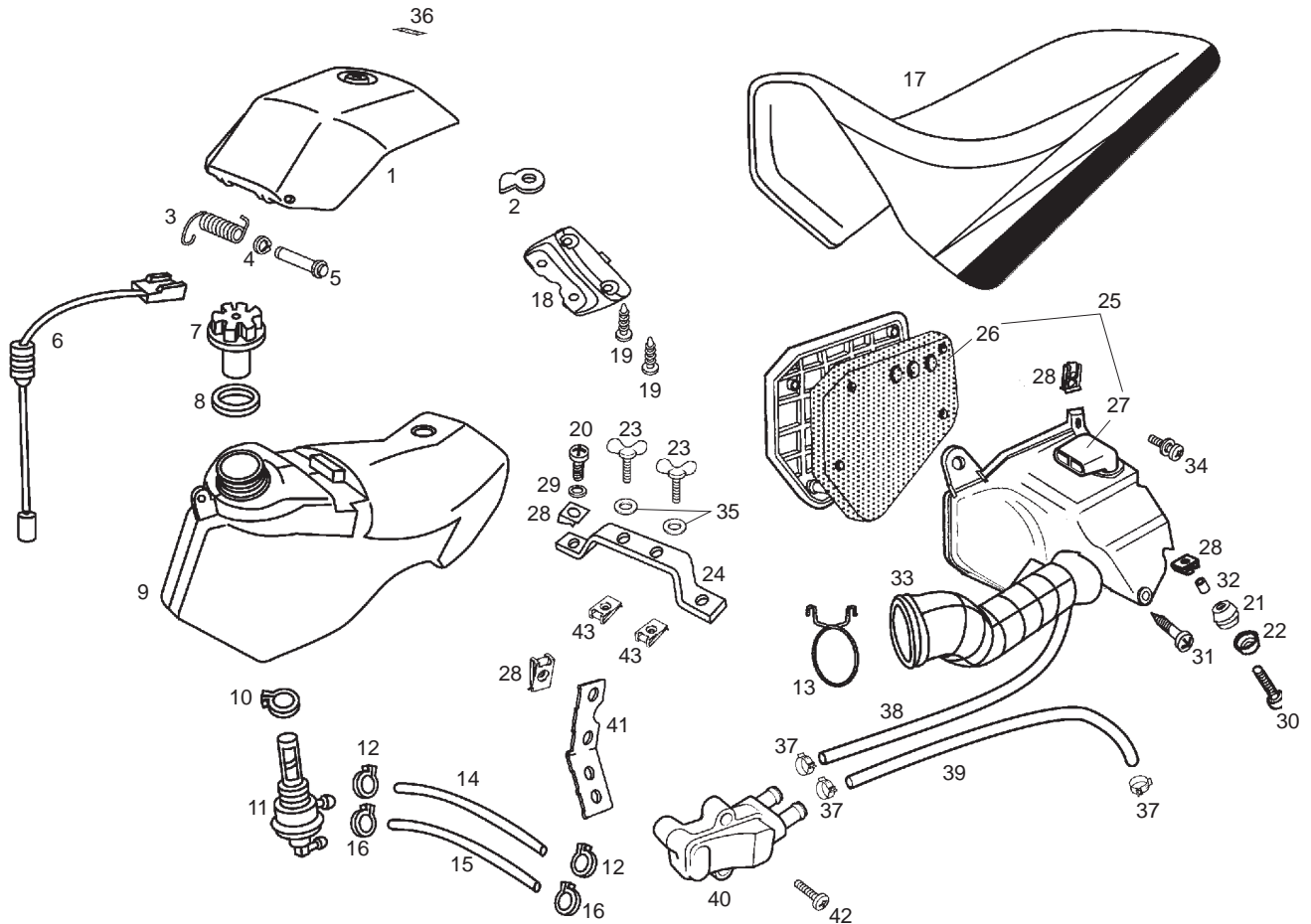


Fig.	Ver.	COD. KOD.	DESCRIPCIÓN DENOMINAZIONE NAME	BEZEICHUNG DESIGNATION	MOD.	NOTAS NOTES NOTA MITSCHRIFT NOTES
12A		00D03700131	ABRAZADERA ELASTICA FASCETTA ELASTICA TUBO BENZINA FUEL PIPE ELASTIC CLAMP	ELAST.KLAMMER GASLEITUNG CRAMPON ELASTIQUE TUBE ESSE	1 2 3 4 5 6 7 8 9 ABCD	
13A		00G03204272	MUELLE TUBO ADMISION ANELLO CARB. AIR INTAKE TUBE	SCHAUCHSCHELLE COLLIER	1 2 3 4 5 6 7 8 9 ABCD	
14A		00F00403321	TUBO GASOLINA TUBO BENZINA FUEL PIPE	BENZINSCHLAUCH TUYAU ESSENCE	1 2 3 4 5 6 7 8 9 ABCD	
15A		00H06201061	TUBO DEPRESION TUBO DEPRESSIONE DEPRESSION PIPE	BENZINSCHLAUCH TUYAU ESSENCE	1 2 3 4 5 6 7 8 9 ABCD	
16A		00F03710131	ABRAZADERA ELASTICA FASCETTA ELASTICA CLAMP	BEF.-SCHELLE ENTRETOISE	1 2 3 4 5 6 7 8 9 ABCD	
17A		00H00628013	CTO.SILLIN SENDA R X-TREM COMP. SELLINO SEAT	SITZBANK SELLE	1 2 3	
17B		00H00628011	CTO.SILLIN SENDA R X-TREM COMP. SELLINO SEAT	SITZBANK SELLE	4 5 6	
17C		00H00628014	CTO.SILLIN SENDA R X-TREM COMP. SELLINO SEAT	SITZBANK SELLE	8 9	7
17D		00H00623017	CTO.SILLIN SENDA R X-TREM COMP. SELLINO SEAT	SITZBANK SELLE		ABC
17E		00H00623015	CTO.SILLIN SENDA R X-TREM COMP. SELLINO SEAT	SITZBANK SELLE		D
18A		00H00600341	SUPLEMENTO BASE SILLIN SUPPLEMENTO SELLINO SEAT SUPPLEM.	ZUBEHOR SITZBANK SUPL.SELLE	1 2 3 4 5 6 7 8 9 ABCD	

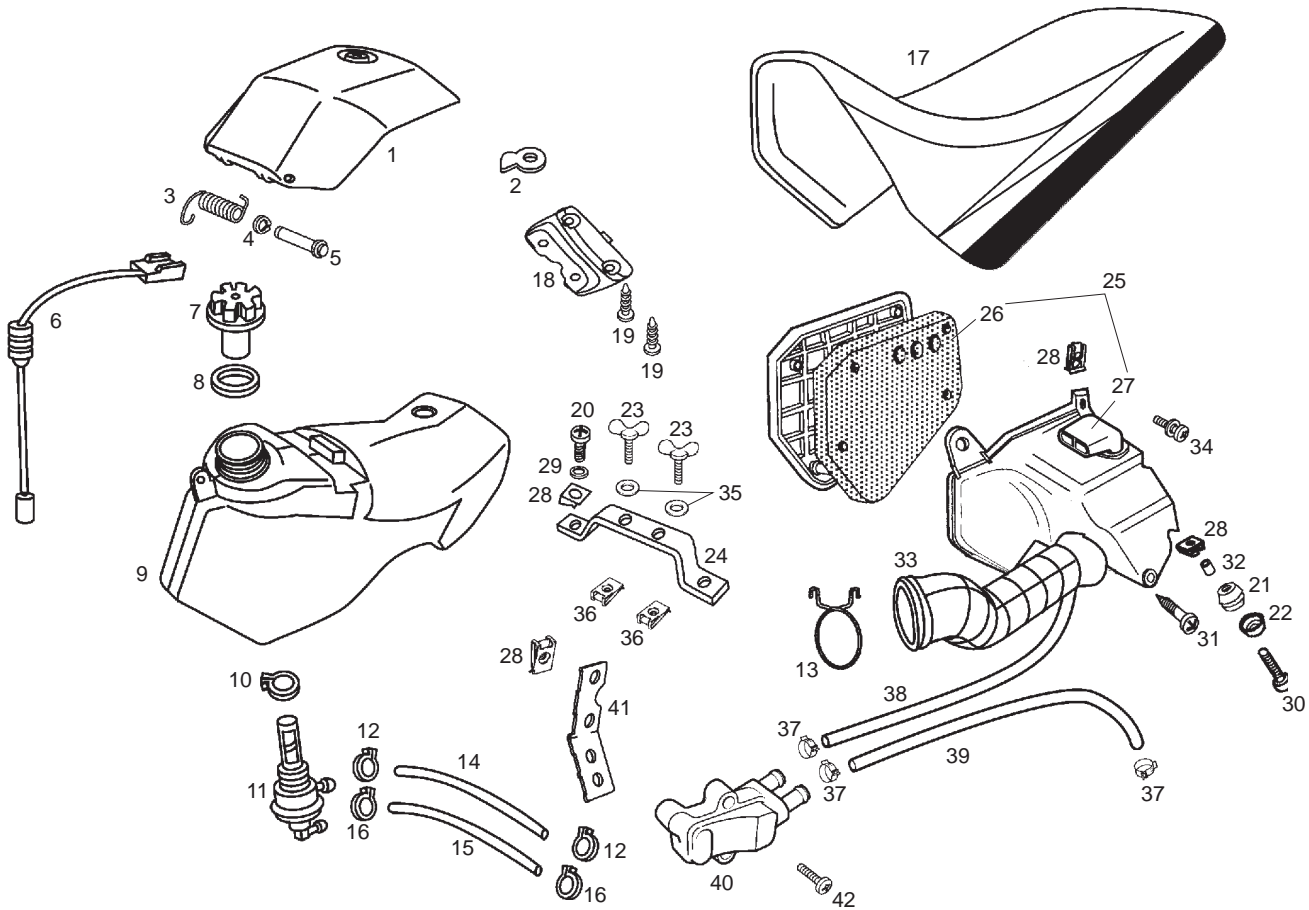


Fig.	Ver.	COD. KOD.	DESCRIPCIÓN DENOMINAZIONE NAME	BEZEICHNUNG DESIGNATION	MOD.	NOTAS NOTES NOTA MITSCHRIFT NOTES
19A		00011051801	TORNILLO PARA PLASTICO 5.1 X 18 VITE SCREW	SCHRAUBE VIS	1234567 89ABCD	
20A		00012061200	TORNILLO C/CRUZ 6M100X12 VITE SCREW	SCHRAUBE VIS	1234567 89ABCD	
21A		00008915020	PROTECCION CABLES PROTEZIONE CAVI RUBBER, CABLE PROTECTOR	GUMMI PASSE-CABLE	1234567 89ABCD	
22A		00D01500552	CAZOLETA SCADELLINO FISSAGGIO HOUSING	ABDECKSCHEIBE CUVETTE	1234567 89ABCD	
23A		00H06101231	TORNILLO MARIPOSA 5X12 VITE SCREW	SCHRAUBE VIS	1234567 89ABCD	
24A		00H00404051	PUNTE FIJ. DEPOSITO. SUPPORTO INF. SERBATOIO LOWER FUEL TANK BRACKET	LOWER FUEL TANK BRACKET GPRÈRÈ SUPPORT INFÉRIEUR RÉSEROIR ES	1234567 89ABCD	
25A		00H01809541	CTO CAJA FILTRO CASSA FILTRO AIR FILTER BOX	FILTERKASTEN ENSEMBLE BOITE FILTRE	12 45 7 8 AB D	
25B		00H06007211	CTO CAJA FILTRO C/TUBO ESCANDINAVIA CASSA FILTRO AIR FILTER BOX	FILTERKASTEN ENSEMBLE BOITE FILTRE	3 6 9 C	
26A		00H03209251	ESPUMA FILTRO AIRE ESPANSO FILTRO ARIA AIR FILTER MESH	LUFTFILTERSCHAUM FILTRE AIR	12 45 7 8 AB D	
26B		00H03201251	ESPUMA FILTRO AIRE ESPANSO FILTRO ARIA AIR FILTER MESH	LUFTFILTERSCHAUM FILTRE AIR	3 6 9 C	
27A		00H03208491	TUBO ASPIRACION CAJA FILTRO TUBO ASPIRAZIONE AIR INTAKE	SAUGROHR TUBE DIASPIRATION	12 45 7 8 AB D	

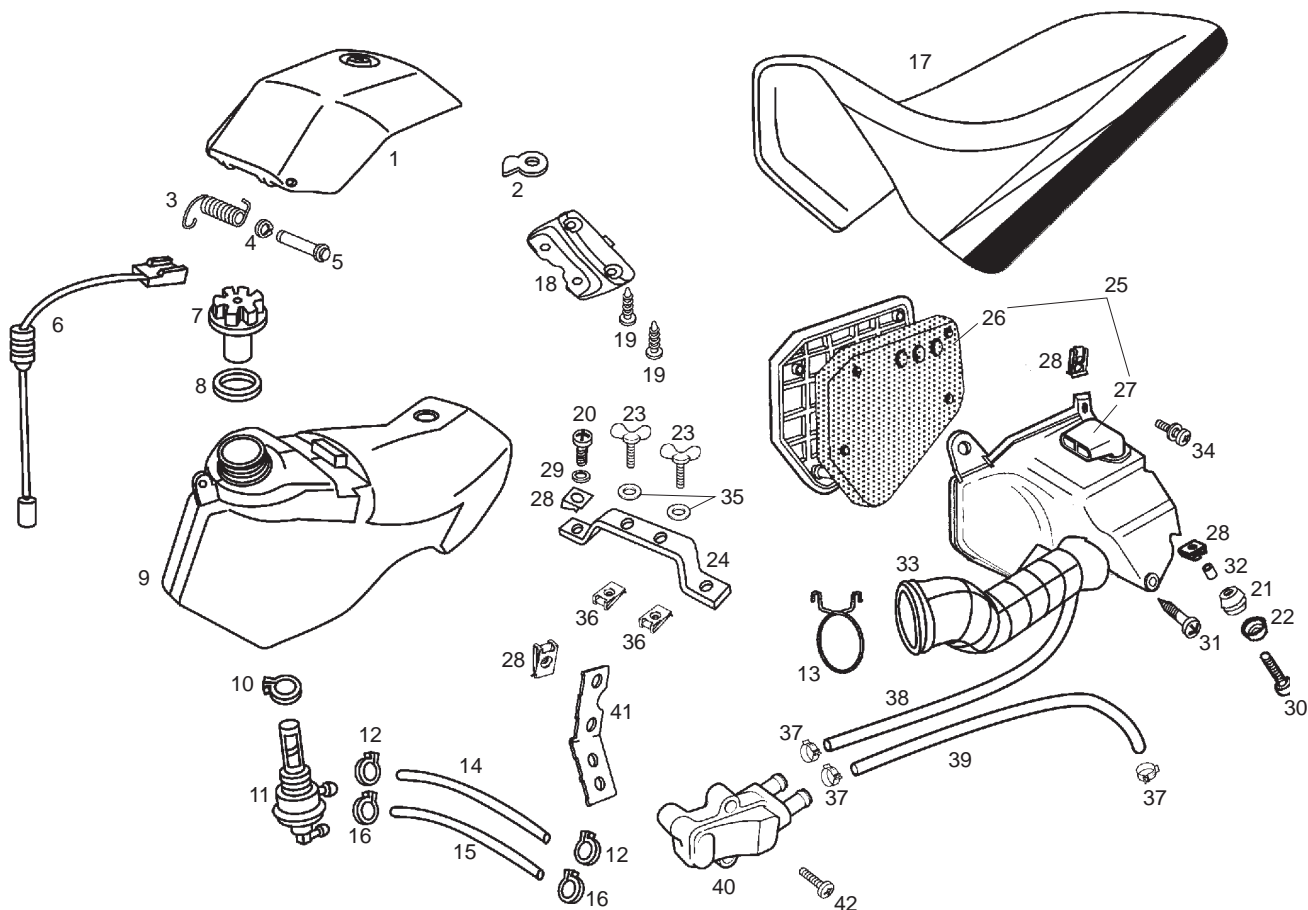


Fig.	Ver.	COD. KOD.	DESCRIPCIÓN DENOMINAZIONE NAME	BEZEICHUNG DESIGNATION	MOD.	NOTAS NOTES NOTA MITSCHRIFT NOTES
27B		00D03210491	TUBO ASPIRACION CAJA FILTRO TUBO ASPIRAZIONE AIR INTAKE	SAUGROHR TUBE DIASPIRATION	3 6 9 C	
28A		00D01501371	TUERCA FIJACION D6 DADO NUT	MUTTER ECROU	1234567 89ABCD	
29A		00D01200171	ARANDELA RONDELLA WASHER	SCHEIBE RONDELLE	1234567 89ABCD	
30A		00012161600	TORNILLO C/CRUZ.NG.6M100X16 VITE SCREW	SCHRAUBE VIS	1234567 89ABCD	
31A		00073481964	TORNILLO AUTR.C/CRUZ 4,8 X 19. VITE SCREW	SCHRAUBE VIS	1234567 89ABCD	
32A		00D01500471	CASQ. SILENT. SILENC. GHIERA BUSHING	FUHRUNGSBUCHSE GABELSCHENK ENTRETOISE	1234567 89ABCD	
33A		00H03207261	TUBO ADMISION. TUBO AMMISSIONE AIR INTAKE HOSE	ENLAISRROR HUNTER TUYAU DIADMISSION HUNTER	1234567 89ABCD	
34A		00H05900021	SCTO. TORNILLO 6M100X16 VITE SCREW	SCHRAUBE VIS	1234567 89ABCD	
35A		00D02600631	ARANDELA RONDELLA WASHER	SCHEIBE RONDELLE	1234567 89ABCD	
36A		00H01500691	TUERCA FIJACION D5 DADO NUT	MUTTER ECROU	1234567 89ABCD	
37A		00H03802461	ABRAZADERA 15/8 W4 FLANGIA FLANGE	FLANSCH BRIDE	3 6 9 C	

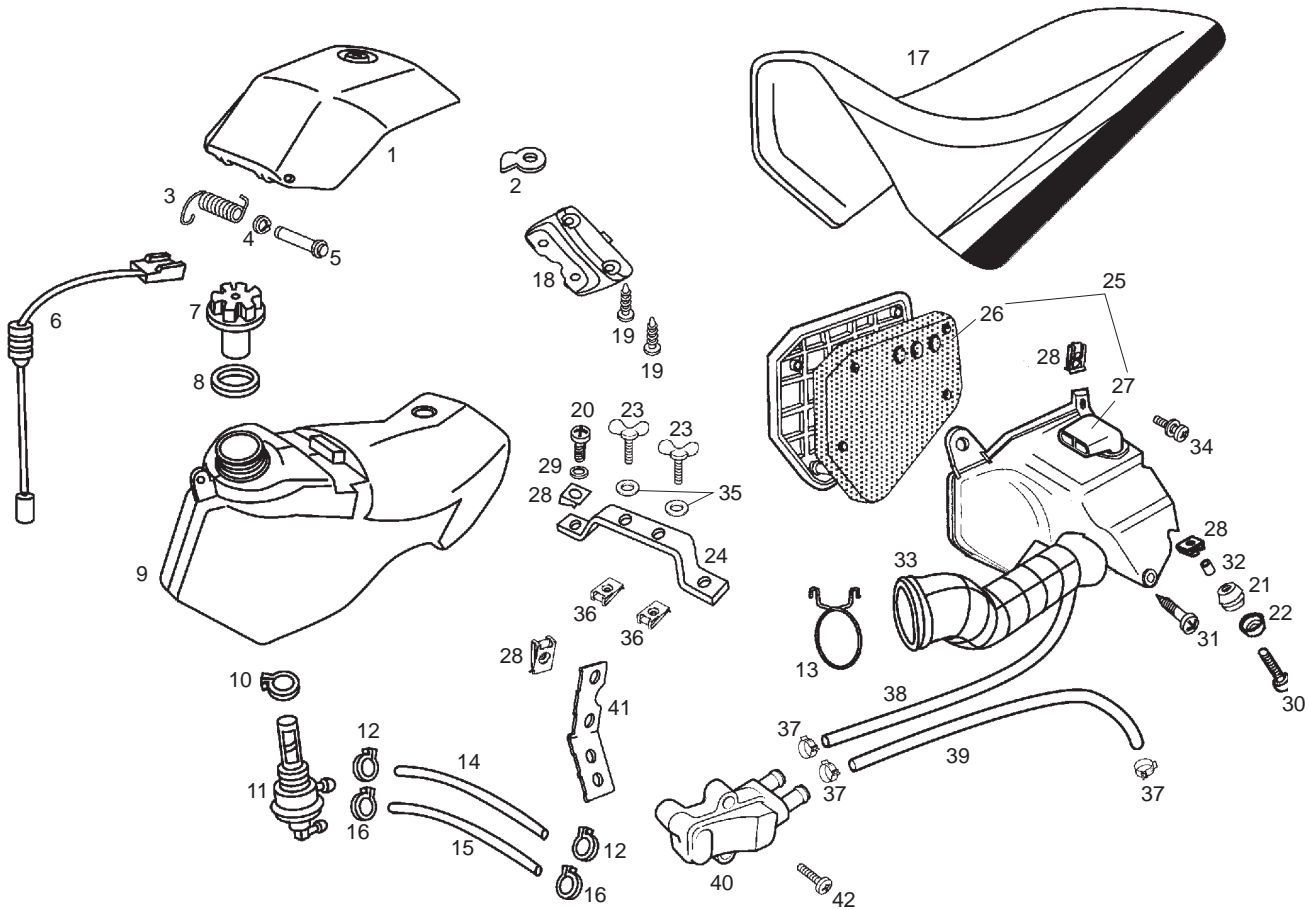


Fig.	Ver.	COD. KOD.	DESCRIPCIÓN DENOMINAZIONE NAME	BEZEICHNUNG DESIGNATION	MOD.	NOTAS NOTES NOTA MITSCHRIFT NOTES
38A		00H04200721	TUBO CONEXIÓN CAJA FILTRO - SAS TUBO CASSA FILTRO AIR FILTER BOX TUBE	FILTERKASTEN RHOR TUYAU ENSEMBLE BOITE FILTRE	3 6 9 C	
39A		00H04202721	TUBO ENTRADA GASES CAJA SAS TUBO CASSA FILTRO AIR FILTER BOX TUBE	FILTERKASTEN RHOR TUYAU ENSEMBLE BOITE FILTRE	3 6 9 C	
40A		00H04200741	CTO CAJA AIRE SECUNDARIO CASSA SECONDARIA DI ARIA SECONDARY AIR BOX	SEKUNDÄRLUFT-KASTEN BOÎTE SECONDAIRE D'AIR	3 6 9 C	
41A		00H06500561	CARTELA SOPORTE CAJA SAS SUPPORTO CASSA DI ARIA AIR BOX SUPPORT	LUFT-KASTEN-UNTERSTÜTZUNG APPUI DE BOÎTE D'AIR	3 6 9 C	
42A		00012062500	TORNILLO C/CRUZ 6M100X25 VITE SCREW	SCHRAUBE VIS	3 6 9 C	

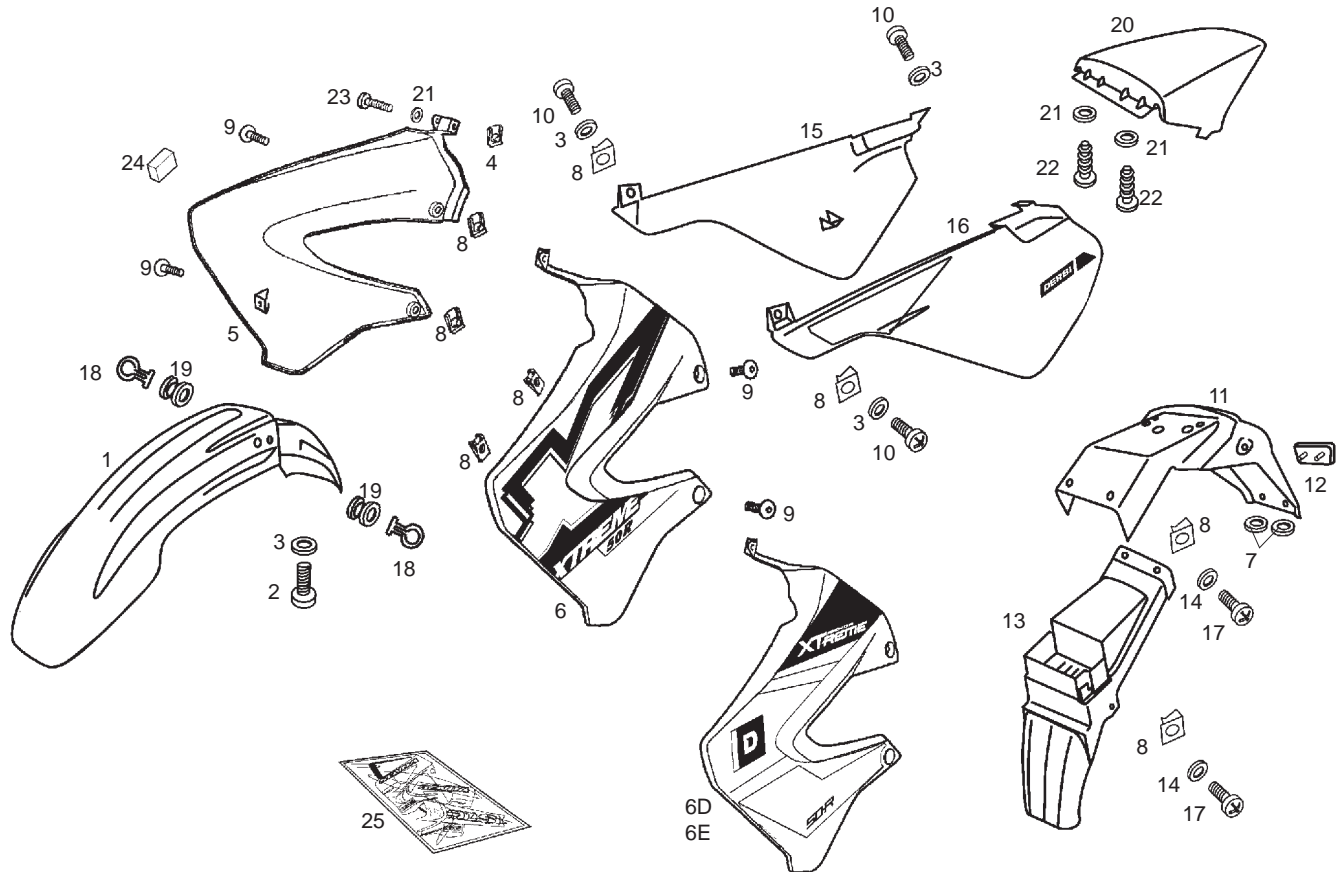


Fig.	Ver.	COD. KOD.	DESCRIPCIÓN DENOMINAZIONE NAME	BEZEICHNUNG DESIGNATION	MOD.	NOTAS NOTES MITSCHRIFT NOTES
01A		00H00714026	GUARDABARRO DT SENDA R X-TREM PARAFANGO ANTERIORE FRONT MUDGUARD ASSY	KOTFLUGEL VORN GARDE-BOUE AVANT RGE	123	
01B		00H00712024	GUARDABARRO DT SENDA R X-TREM PARAFANGO ANTERIORE FRONT MUDGUARD ASSY	KOTFLUGEL VORN GARDE-BOUE AVANT RGE	456	
01C		00H00712023	GUARDABARRO DT SENDA R X-TREM PARAFANGO ANTERIORE FRONT MUDGUARD ASSY	KOTFLUGEL VORN GARDE-BOUE AVANT RGE	89ABC	7
01D		00H00712026	GUARDABARRO DT SENDA R X-TREM PARAFANGO ANTERIORE FRONT MUDGUARD ASSY	KOTFLUGEL VORN GARDE-BOUE AVANT RGE	D	
02A		00012161600	TORNILLO C/CRUZ.NG.6M100X16 VITE SCREW	SCHRAUBE VIS	1234567 89ABCD	
03A		00D01200171	ARANDELA RONDELLA WASHER	SCHEIBE RONDELLE	1234567 89ABCD	
04A		00G04401462	TUERCA FIJACION D5 DADO NUT	MUTTER ECROU	1234567 89ABCD	
05A		00H04442801	TAPA DT DR SENDA R X-TREM COPERCHIO COVER	DECKEL COUVERCLE	123	
05B		00H04442803	TAPA DT DR SENDA R X-TREM COPERCHIO COVER	DECKEL COUVERCLE	456	
05C		00H04442802	TAPA DT DR SENDA R X-TREM COPERCHIO COVER	DECKEL COUVERCLE	89	7

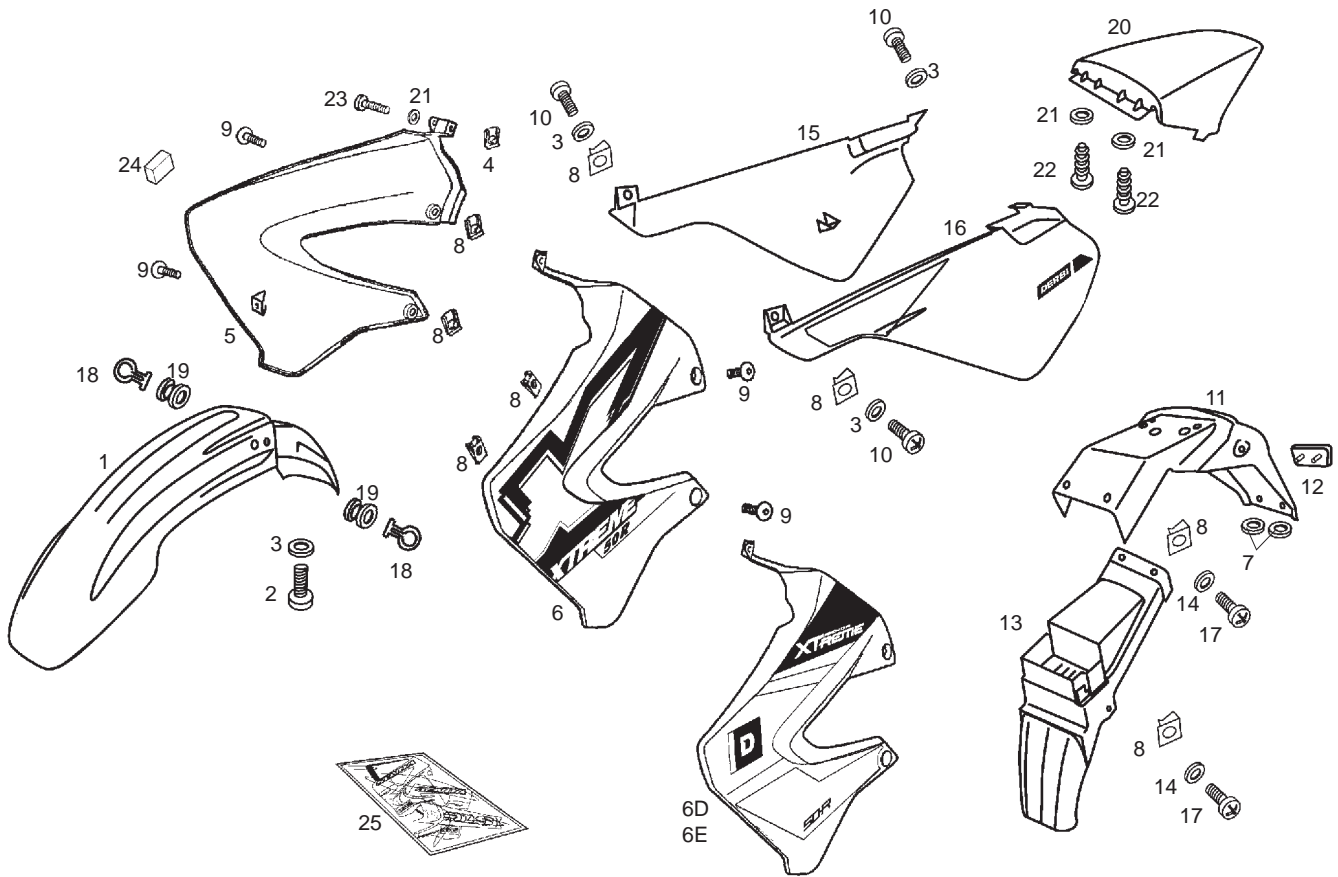


Fig.	Ver.	COD. KOD.	DESCRIPCIÓN DENOMINAZIONE NAME	BEZEICHNUNG DESIGNATION	MOD.	NOTAS NOTES NOTA MITSCHRIFT NOTES
05D		00H04438804	TAPA DT DR SENDA R X-TREM COPERCHIO COVER	DECKEL COUVERCLE	ABC	
05E		00H04438803	TAPA DT DR SENDA R X-TREM COPERCHIO COVER	DECKEL COUVERCLE	D	
06A		00H04442881	TAPA DT IZQ SENDA R X-TREM COPERCHIO COVER	DECKEL COUVERCLE	123	
06B		00H04442883	TAPA DT IZQ SENDA R X-TREM COPERCHIO COVER	DECKEL COUVERCLE	456	
06C		00H04442882	TAPA DT IZQ SENDA R X-TREM COPERCHIO COVER	DECKEL COUVERCLE	89	7
06D		00H04438884	TAPA DT IZQ SENDA R X-TREM COPERCHIO COVER	DECKEL COUVERCLE	ABC	
06E		00H04438883	TAPA DT IZQ SENDA R X-TREM COPERCHIO COVER	DECKEL COUVERCLE	D	
07A		00G06300671	ARANDELA RONDELLA WASHER	SCHEIBE RONDELLE	1234567 89ABCD	
08A		00D01501371	TUERCA FIJACION D6 DADO NUT	MUTTER ECROU	1234567 89ABCD	
09A		00G01503701	TORNILLO VITE SCREW	SCHRAUBE VIS	1234567 89ABCD	

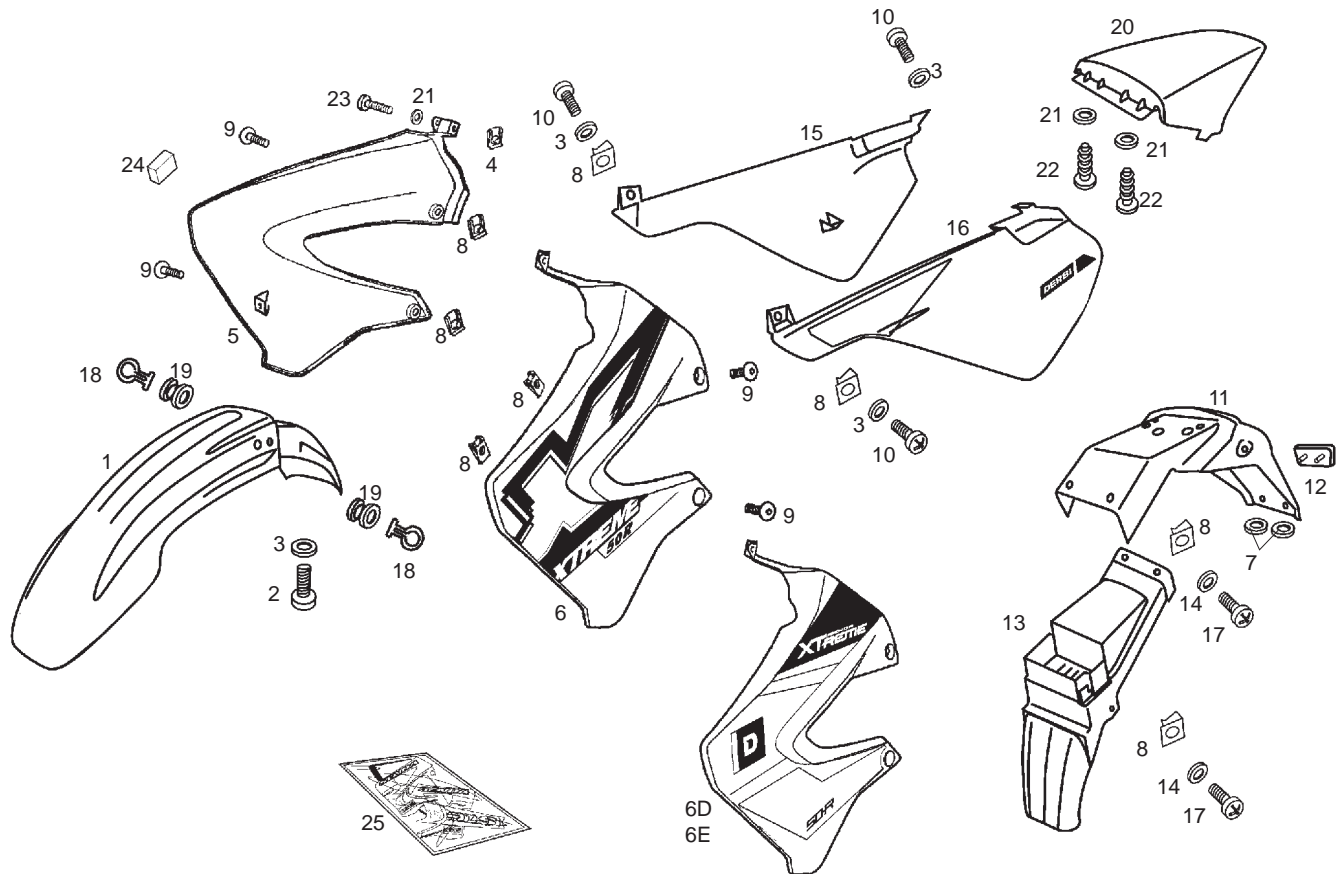


Fig.	Ver.	COD. KOD.	DESCRIPCIÓN DENOMINAZIONE NAME	BEZEICHNUNG DESIGNATION	MOD.	NOTAS NOTES NOTA MITSCHRIFT NOTES
10A		00012161600	TORNILLO VITE SCREW	SCHRAUBE VIS	1 2 3 4 5 6 7 8 9 ABCD	
11A		00H00712341	SUPLEMEMTO GUARD.TRASERO SUPPLEMENTO PARAFANGO POST. SUPPLEM. REAR FENDER	ZUBEHOR STAUBFANGER HINTEN SUPL. GARDE BOUE AR.	1 2 3 4 5 6 7 8 9 ABCD	
12A		00G04400752	CAPTAFAROS TRASERO ROJO CATARIFRANGENTE POSTERIORE R REAR REFLECTOR	RUCKS TRAHLER CATADIOPTRE ARRIERE	1 2 3 4 5 6 7 8 9 ABCD	
13A		00H00705121	GUARDABARROS TRASERO PARAFANGO POSTERIORE REAR MUDGUARD	KOTFLUGEL HINTEN GARDE BOUE ARRIERE	1 2 3 4 5 6 7 8 9 ABCD	
14A		00000031060	ARANDELA PLANA D6 RONDELLA WASHER	SCHEIBE RONDELLE	1 2 3 4 5 6 7 8 9 ABCD	
15A		00H00558693	TAPA LATERAL DR SENDA R X-TREM COPERCHIO LAT. DES. RIGHT HAND SIDE COVER	SEITENDECKEL RECHTS PLAQUE LATERAL DROITE AVEC	1 2 3 7 8 9 ABCD	
15B		00H00558691	TAPA LATERAL DR SENDA R X-TREM COPERCHIO LAT. DES. RIGHT HAND SIDE COVER	SEITENDECKEL RECHTS PLAQUE LATERAL DROITE AVEC	4 5 6	
16A		00H00558703	TAPA LATERAL IZQ SENDA R X-TREM COPERCHIO LAT. SIN. LEFT HAND SIDE COVER	SEITENDECKEL- LINKS FLANC LAT.G.AVEC DECAL	1 2 3 7 8 9 ABCD	
16B		00H00558701	TAPA LATERAL IZQ SENDA R X-TREM COPERCHIO LAT. SIN. LEFT HAND SIDE COVER	SEITENDECKEL- LINKS FLANC LAT.G.AVEC DECAL	4 5 6	
17A		00012161600	TORNILLO C/CRUZ.NG.6M100X16 VITE SCREW	SCHRAUBE VIS	1 2 3 4 5 6 7 8 9 ABCD	

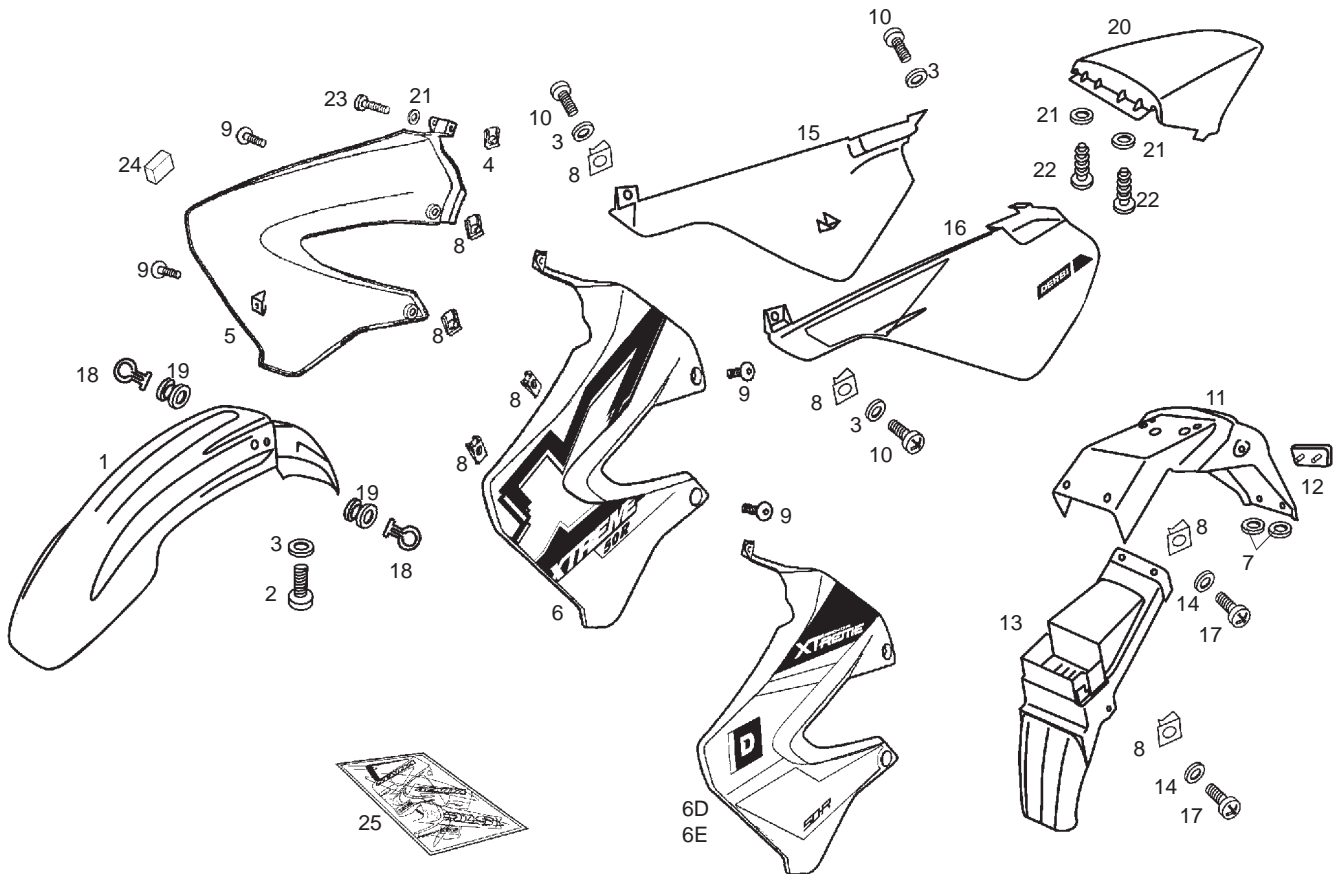


Fig.	Ver.	COD. KOD.	DESCRIPCIÓN DENOMINAZIONE NAME	BEZEICHNUNG DESIGNATION	MOD.	NOTAS NOTES NOTA MITSCHRIFT NOTES
18A		00H02201591	GUIA CABLES GUIDA CAVI CABLE GUIAE	HALTER F. BEF. BREMSSCHLAU SOUS-EN.SUP.FIX.TUYAU FREIN	1234567 89ABCD	
19A		00D01500021	PASACABLES PORTACAVI PARAFANGO GROMMET	GUMMI CAOUTCHOUC PASSE-CABLE	1234567 89ABCD	
20A		00H00619166	SCTO COLIN SILLIN SENDA R X-TREM COLIN SELLINO SEAT BASE	KOTFLUGEL HINTEN DOSSERET SELLE	123	
20B		00H00618163	SCTO COLIN SILLIN SENDA R X-TREM COLIN SELLINO SEAT BASE	KOTFLUGEL HINTEN DOSSERET SELLE	456	
20C		00H00618166	SCTO COLIN SILLIN SENDA R X-TREM COLIN SELLINO SEAT BASE	KOTFLUGEL HINTEN DOSSERET SELLE	89ABC	7
20D		00H00618165	SCTO COLIN SENDA R X-TREM COLIN SELLINO SEAT BASE	KOTFLUGEL HINTEN DOSSERET SELLE	D	
21A		00000031050	ARANDELA PLANA D5 RONDELLA WASHER	SCHEIBE ROND.PLATE MECANISEE	1234567 89ABCD	
22A		00011051401	TORNILLO AUTRRCTE. 5 X14 VITE SCREW	SCHRAUBE VIS	1234567 89ABCD	
23A		00012152000	TORNILLO C/RED.CRUZ 5M80X20 VITE SCREW	SCHRAUBE VIS	1234567 89ABCD	
24A		00H06300771	TOPE FERMO STOPPER	ANSCHLAG BUTEE	1234567 89ABCD	

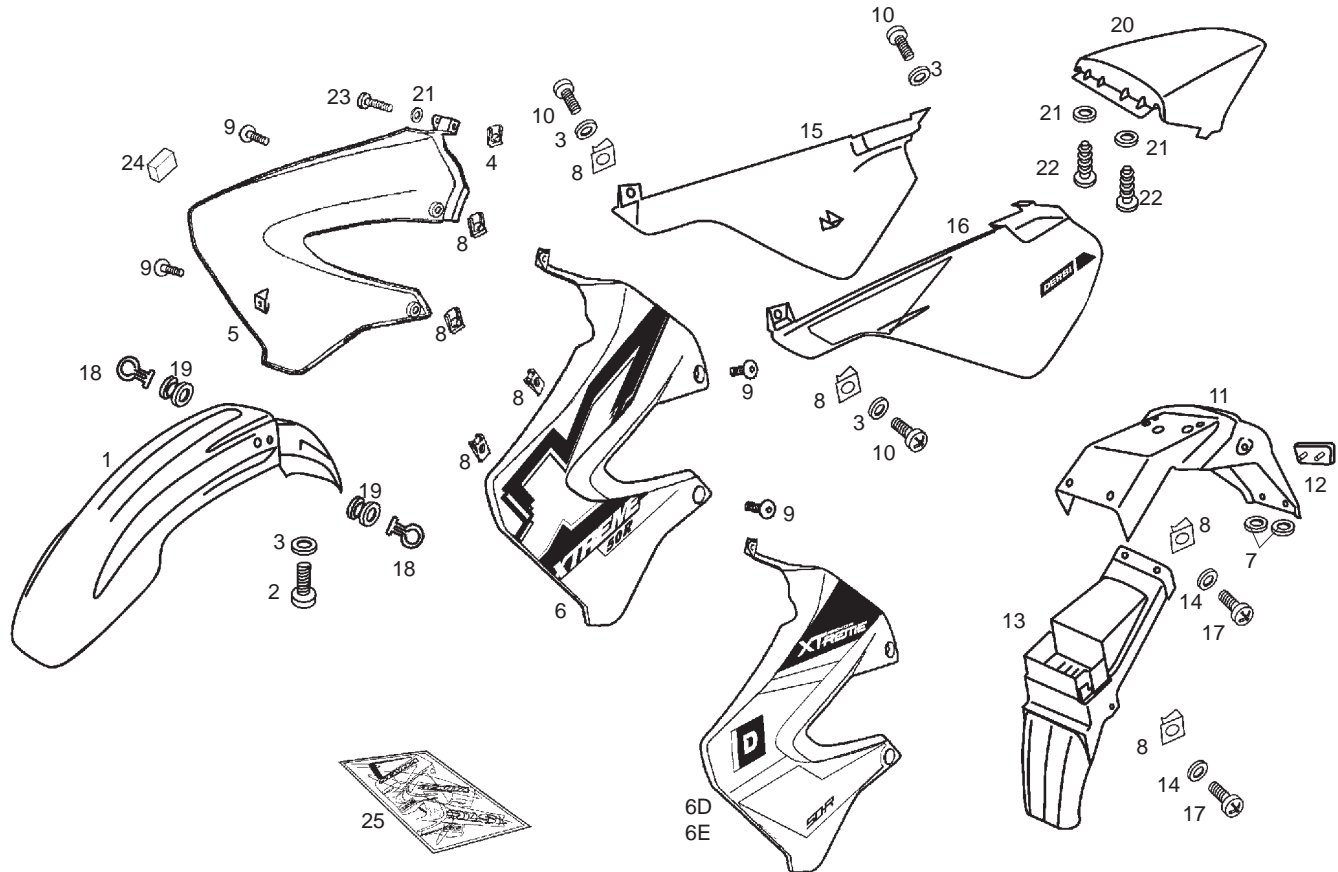


Fig.	Ver.	COD. KOD.	DESCRIPCIÓN DENOMINAZIONE NAME	BEZEICHNUNG DESIGNATION	MOD.	NOTAS NOTES MITSCHRIFT NOTES
25A		00H05176651	JUEGO CALCAS SENDA R X-TREM ROJO COMPL.ADESIVI DECALS ASSY	AUFKLEBERSATZ JEU ADHESIF	1 2 3	
25B		00H05176652	JUEGO CALCAS SENDA R X-TREM AZUL COMPL.ADESIVI DECALS ASSY	AUFKLEBERSATZ JEU ADHESIF	4 5 6	
25C		00H05176653	JUEGO CALCAS SENDA R X-TREM NEGRO COMPL.ADESIVI DECALS ASSY	AUFKLEBERSATZ JEU ADHESIF	8 9	7
25D		00H05166654	JUEGO CALCAS SENDA R X-TREM NEGRO COMPL.ADESIVI DECALS ASSY	AUFKLEBERSATZ JEU ADHESIF	ABC	
25E		00H05166653	JUEGO CALCAS SENDA R X-TREM ROJA COMPL.ADESIVI DECALS ASSY	AUFKLEBERSATZ JEU ADHESIF	D	

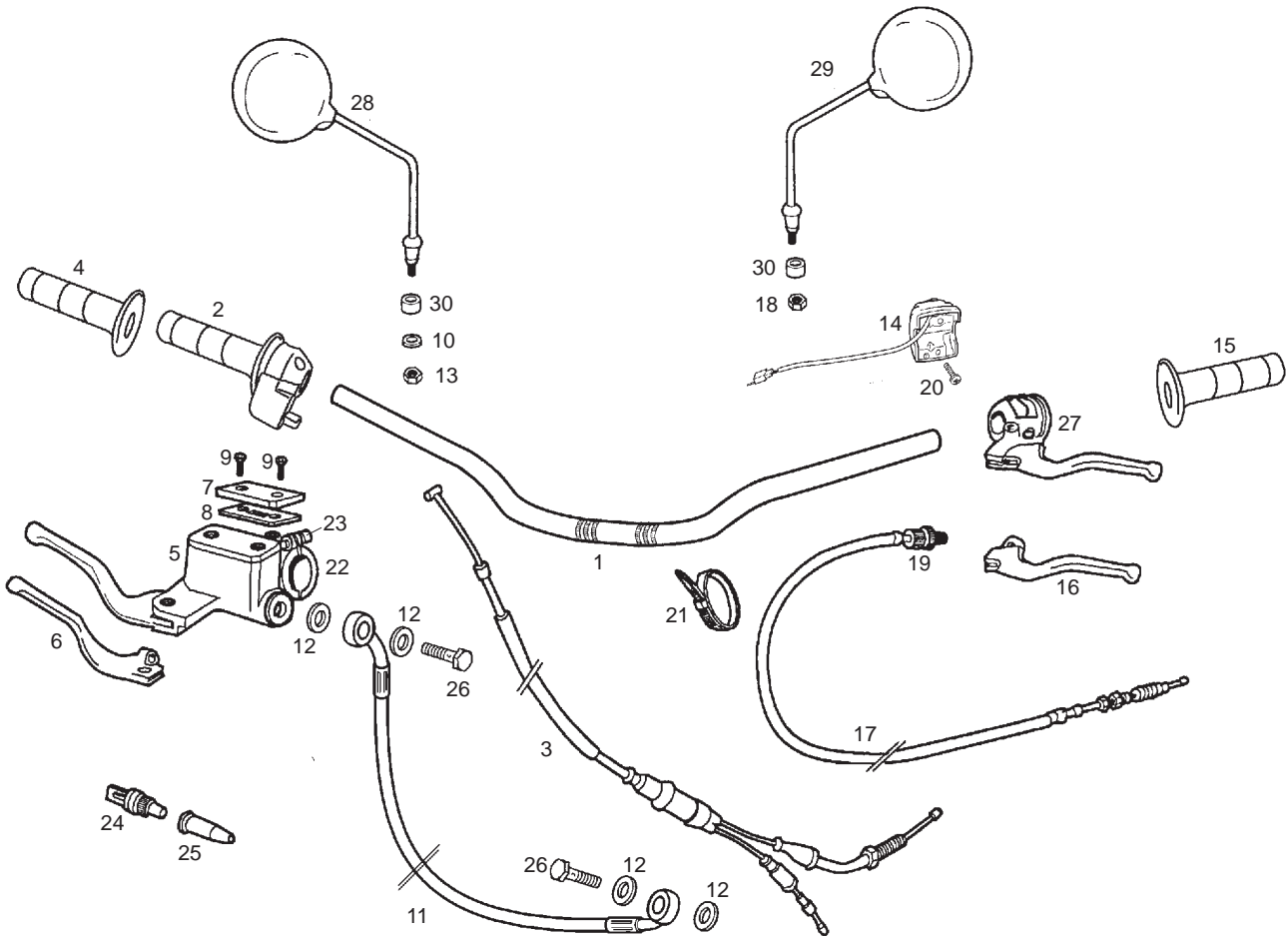


Fig.	Ver.	COD. KOD.	DESCRIPCIÓN DENOMINAZIONE NAME	BEZEICHNUNG DESIGNATION	MOD.	NOTAS NOTES NOTA MITSCHRIFT NOTES
01A		00H00912012	SCTO. MANILLAR MANUBRIO HANDLEBAR ASSY	LENKER GUIDON	1 2 3 4 5 6 7 8 9 A B C D	
02A		00H02101621	CTO. PUÑO GAS MANOPOLA ACCELERATOR THROTTLE GRIP ASSEMBLY	GASGRIFF POIGNEE DE GAZ COMPLETE	1 2 3 4 5 6 7 8 9 A B C D	
03A		00H00931171	CABLE-FUNDA GAS CAVO-FODERO ACCELERATOR CABLE ASSY THROTTLE	GASKABEL GAINE ET CABLE DE GAZ	1 2 4 5 7 8 A B D	
03B		00H00934171	CABLE-FUNDA GAS SCANDINAVIA CAVO-FODERO ACCELERATOR CABLE ASSY THROTTLE	GASKABEL GAINE ET CABLE DE GAZ	3 6 9 C	
04A		00H00930091	R-EMPUÑADURA GAS R-MANOPOLA ACCELERATORE GRIP, THROTTLE	GRIF CAOUT. DE POIGNEE GAZ	1 2 3 4 5 6 7 8 9 A B C D	
05A		00G02102083	R-CTO MANDO FRENO DT R-COMANDO FRENO FRONT BRAKE LEVER/MASTER CYLIN	REP.-SATZ F. PUMPE R-ENSEM. KIT REPAR. POMPE SE	1 2 3 4 5 6 7 8 9 A B C D	
06A		00F00902291	R-MANETA FRENO TRASERO LEVA FRENO BRAKE LEVER	BREMSHEBEL KOMPL. MANETE DU FREIN AVANT	1 2 3 4 5 6 7 8 9 A B C D	
07A		00H02100191	R-TAPA DEPOSITO LIQ. FRENO DT. COPERCHIO SERBATOIO LIQUIDO BRAKE FLUID RESERVOIR CAP	BREMSFLUESSIGKEITSBEHAELTE R-COUV. RESER. LIQ. FREIN AVAN	1 2 3 4 5 6 7 8 9 A B C D	
08A		00H02100861	R-JUNTA TAPA DEP. LIQ. FRENO GUARNIZIONE COPERCHIO BRAKE FLUID RESERVOIR CAP SEAL	BREMSCECKELDICHTUNG R-JOINT COUV. RES. LIQ. FR. AV.	1 2 3 4 5 6 7 8 9 A B C D	
09A		00014041200	TORNILLO C/AR. CRUZ 4M80X12 VITE COUNTERSUNK PHILIPS SCREW	SCHRAUBE BOULON T. NOYEE	1 2 3 4 5 6 7 8 9 A B C D	
10A		00000031080	ARANDELA PLANA D8 RONDELLA WASHER	SCHEIBE RONDELLE	1 2 3 4 5 6 7 8 9 A B C D	

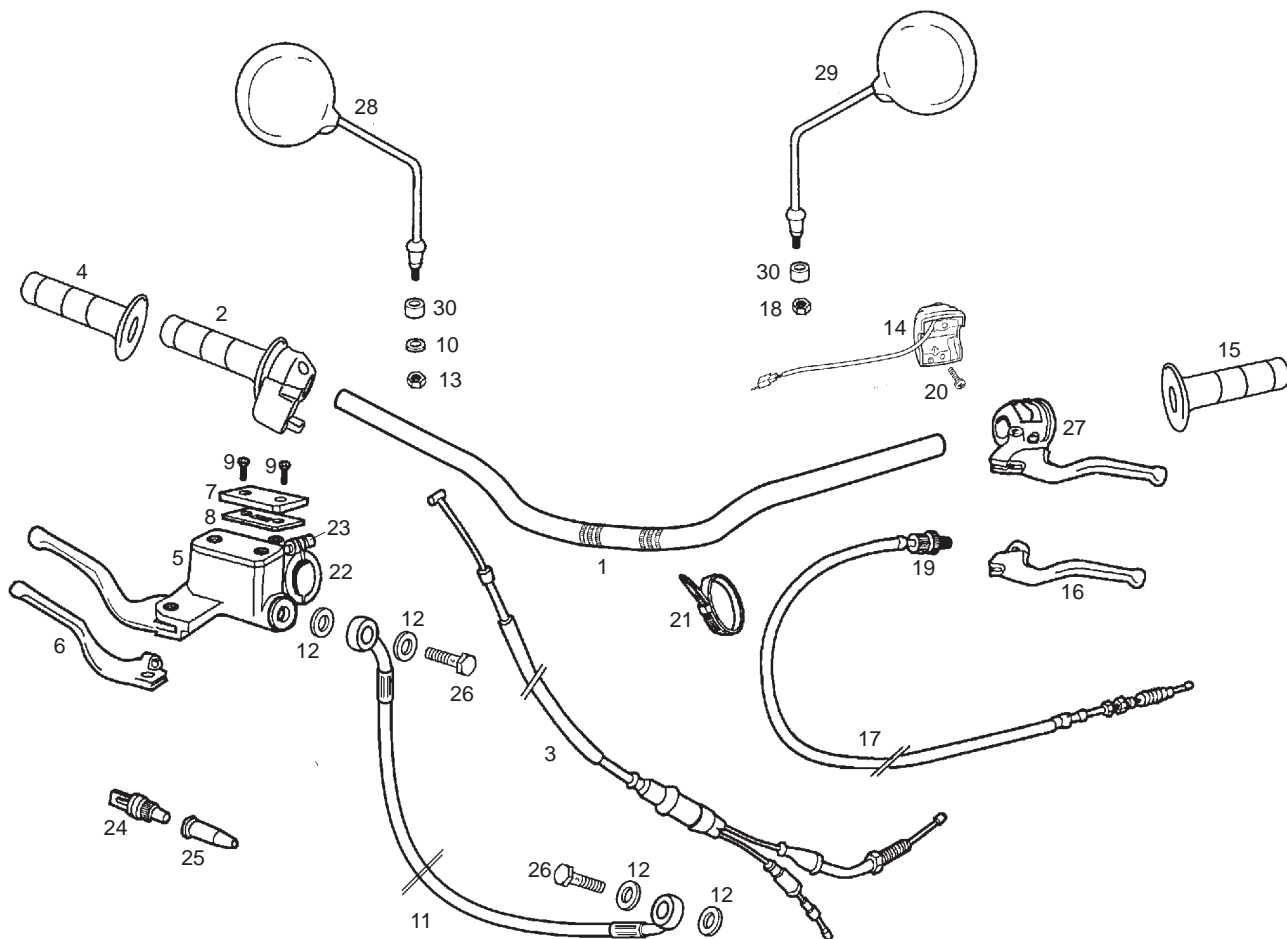


Fig.	Ver.	COD. KOD.	DESCRIPCIÓN DENOMINAZIONE NAME	BEZEICHUNG DESIGNATION	MOD.	NOTAS NOTES NOTA MITSCHRIFT NOTES
11A		00H00915751	R-TUBO LIQUIDO FRENO DT SUBCOMP.TUBO LIQ.FRE. BRAKE FLUID TUBE	BREMSSSCHLAUCH FLEXIBLE DE FREIN AVANT	1 2 3 4 5 6 7 8 9 ABCD	
12A		00006321040	ARANDELA JUNTA RADORD RONDELLA WASHER	SCHEIBE RONDELLE	1 2 3 4 5 6 7 8 9 ABCD	
13A		00000021080	TUERCA DADO NUT	MUTTER ECROU	1 2 3 4 5 6 7 8 9 ABCD	
14A		00H02305381	CTO.CONMUTADOR LUCES C/CABLE CONMUTATORE LUCI SWITCH	LICHTSCHALTER INVERSEUR AVEC CABLE	1 2 3 4 5 6 7 8 9 ABCD	
15A		00H00930071	R-EMPUÑADURA PUÑO LUZ R-MANOPIOLA GRIP	GRIFF CAOUT.DE PIGNEE GAZ	1 2 3 4 5 6 7 8 9 ABCD	
16A		00F00910291	R-MANETA EMBRAGUE LEVA FRIZIONE CLUTCH LEVER	KUPPLUNGSHABEL LEVIER EMBRAYAGE	1 2 3 4 5 6 7 8 9 ABCD	
17A		00H00917301	CTO. CABLE-FUNDA EMBRAGUE CAVO-GUAINA FRIZIONE CLUTCH COVER AND CAB.SUB.ASSY.	KUPPLUNGSZUG GAINE ET CABLE DIEMBAYAGE	1 2 3 4 5 6 7 8 9 ABCD	
18A		00000023080	TUERCA AUTOBLOCANTE 8M125 DADO NUT	MUTTER ECROU	1 2 3 4 5 6 7 8 9 ABCD	
19A		00F00920551	R-CTO TENSOR CABLE EMBRAGUE TENSORE CABO CLUTCH CABLE TIGHTENING DEVIC	SHELLE COLLIER FIX ELIERIE	1 2 3 4 5 6 7 8 9 ABCD	
20A		00000012508	TORNILLO C/RED.CRUIZ 5M80X8 VITE SCREW	SCHRAUBE VIS	1 2 3 4 5 6 7 8 9 ABCD	
21A		00A00900531	BRIDA UNECABLES NEGRA FLANGIA UNIONE CAVI BLACK CABLE TIE	KABELBINDER COLLIER	1 2 3 4 5 6 7 8 9 ABCD	

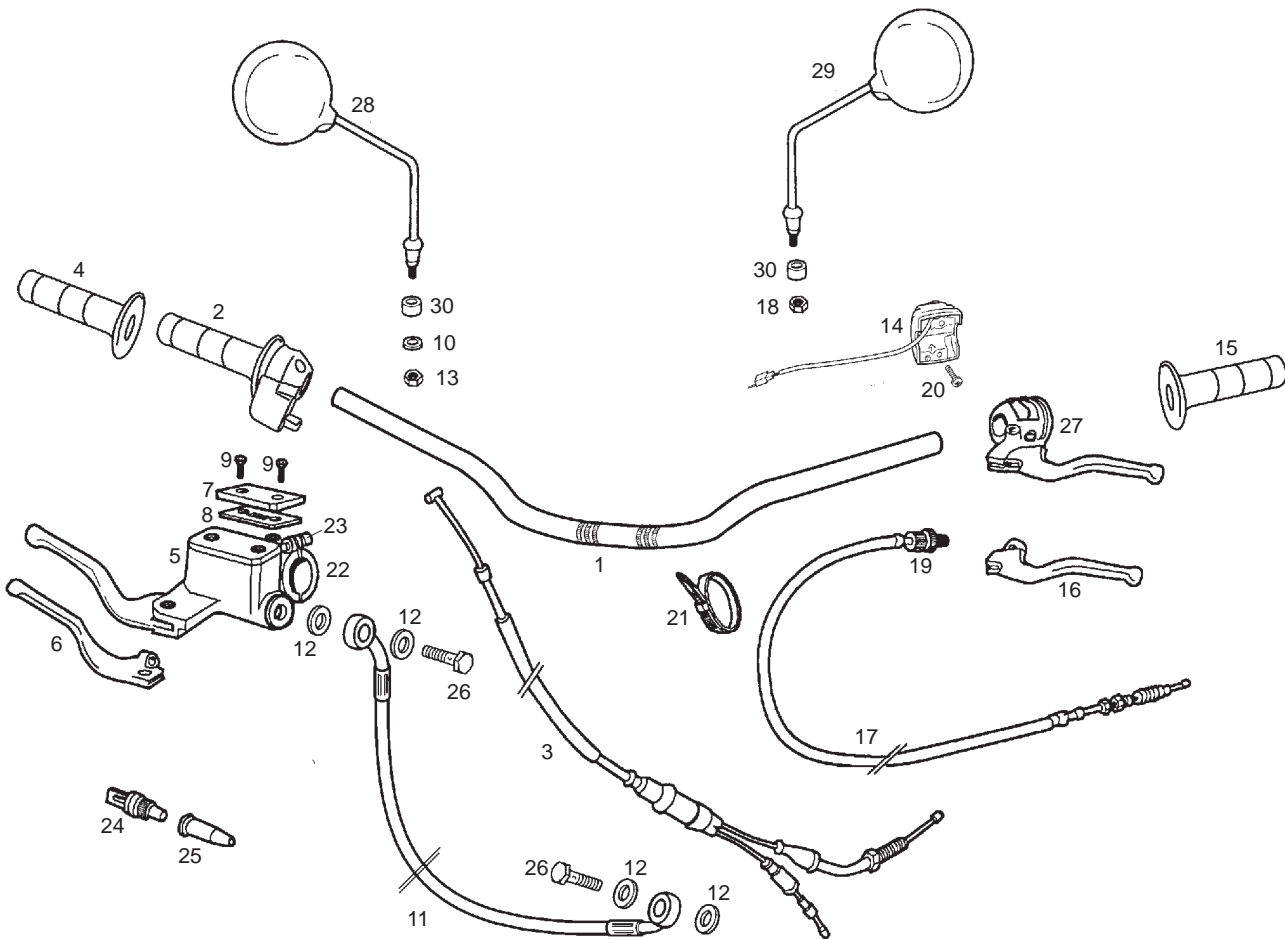


Fig.	Ver.	COD. KOD.	DESCRIPCIÓN DENOMINAZIONE NAME	BEZEICHNUNG DESIGNATION	MOD.	NOTAS NOTES NOTA MITSCHRIFT NOTES
22A		00D02100901	R-BRIDA FIJ. MANDO FRENO DT. CAVALLOTO FISSAGIO POMPA CLAMP	BEF.-SCHELLE ENTRETOISE	1 2 3 4 5 6 7 8 9 ABCD	
23A		00004061600	TORNILLO C/ALLEN 6M100X16 VITE SCREW	SCHRAUBE VIS	1 2 3 4 5 6 7 8 9 ABCD	
24A		00D01000701	INTERRUPTOR MANDO STOP. INTERRUPTORE STOP SWITCH, STOP LIGHT	STOPCHALTER VO. INTERRUPTEUR COMMANDE STOP	1 2 3 4 5 6 7 8 9 ABCD	
25A		00005010760	CAPUCHON INTERRUPTOR STOP CAPPUCIO INTERRUPTORE STOP NE RUBBER COVER, STOP LIGHT SWITCH	GUMMISCHUTZ STOPLICHTSCHAL CAPUCHON	1 2 3 4 5 6 7 8 9 ABCD	
26A		00006309260	RACORD TUBO HIDRAULICO RACCORDO TUBO IDRAULICO HYDRAULIC TUBE CONNECTOR	STUTZEN HIDRAULIKLEITUNG RACCORD TUYAU HYDRAULIQUE	1 2 3 4 5 6 7 8 9 ABCD	
27A		00H02105611	CTO. PORTAMANETA IZQUIERDO PORTAMANOPOLA SINIST LEFT LEVER BRACKET	BREMSHEBEL LINKS KOMPLETT ENS. PORTE-MANETTE GAUCHE	1 2 3 4 5 6 7 8 9 ABCD	
28A		00H02213671	ESPEJO RETROVISOR DERECHO SPECCHIETO RETROVISO REAR MIRROR	SPIEGEL MIRROIR RETROVISEUR	1 2 3 4 5 6 7 8 9 ABCD	
29A		00H04608921	ESPEJO RETROVISOR IZQUIERDO SPECCHIETO RETROVISO REAR MIRROR	SPIEGEL MIRROIR RETROVISEUR	1 2 3 4 5 6 7 8 9 ABCD	
30A		00G00800261	CASQUILLO GHIERA SNODO ZAMPA CAVALLETTO SPACER	DISTANZHULSE ENTRETOISE	1 2 3 4 5 6 7 8 9 ABCD	

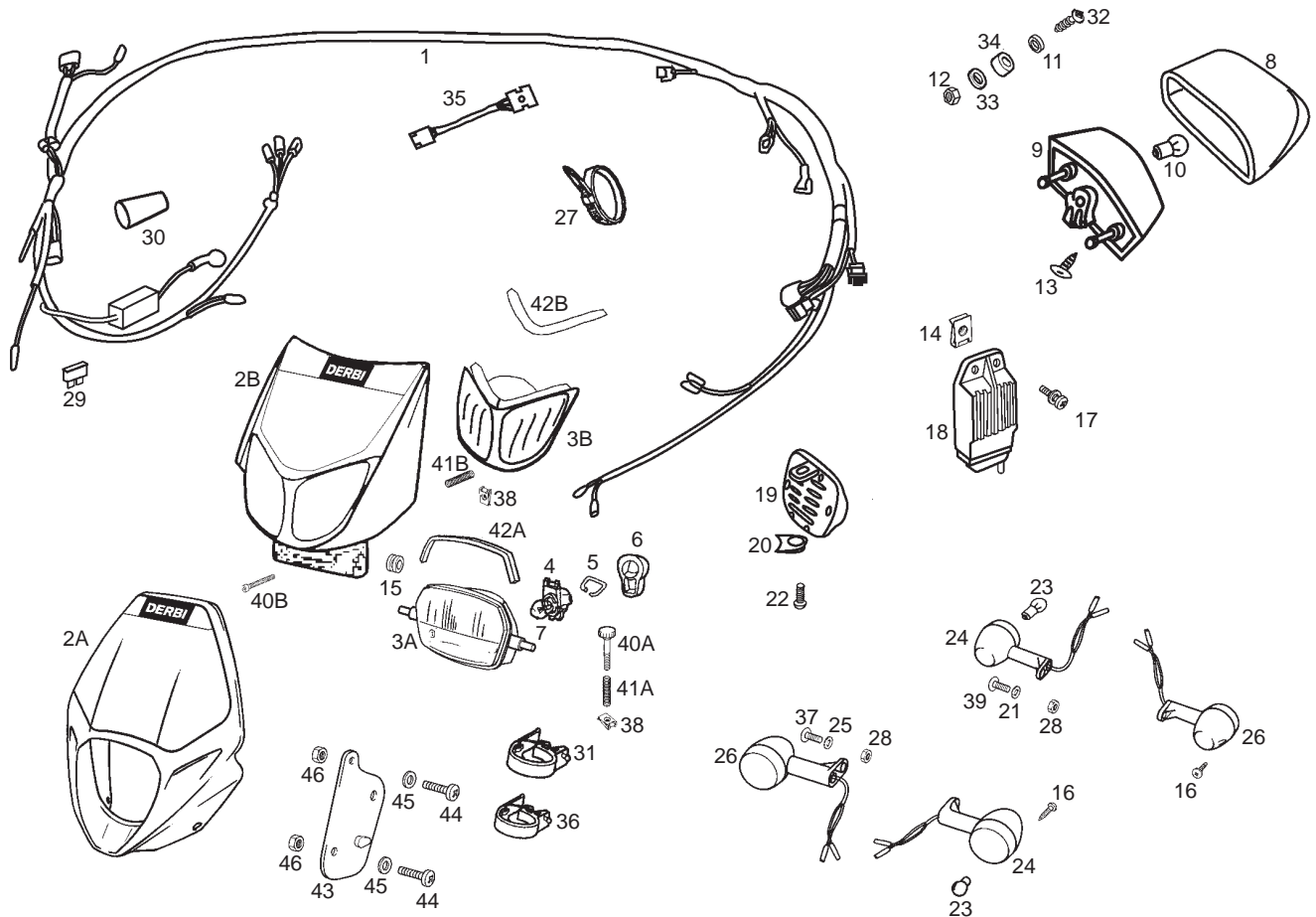


Fig.	Ver.	COD. KOD.	DESCRIPCIÓN DENOMINAZIONE NAME	BEZEICHUNG DESIGNATION	MOD.	NOTAS NOTES NOTA MITSCHRIFT NOTES
01A		00H01046301	CTO.INSTALACION ELECTRICA IMPIANTO ELETTRICO ELECTRICAL INSTALLATIONS ASSY.	KOBELBAUM FAISCEAU ELECTRIQUE	1 2 3 4 5 6 7 8 9 ABCD	
02A		00H02256371	CARCASA FARO DELANTERO CARCASA FARO HEADLIGHT CUSING SUB-ASSEMBLY	SCHEINWERFERVERKLEIDUNG PLAQUE PHARE	1 2 3 4 5 6 7 8 9 ABC	
02B		00H02257372	CARCASA FARO DELANTERO CARCASA FARO HEADLIGHT CUSING SUB-ASSEMBLY	SCHEINWERFERVERKLEIDUNG PLAQUE PHARE	1 2 4 5 7 8 AB D	FRANCE AUSTRIA
03A		00H01015011	CTO FARO DELANTERO FARO ANTERIORE HEADLIGHT LENS SUB-ASSEMBLY	SCHEINWERFER OPTIQUE COMPLETE	1 2 3 4 5 6 7 8 9 ABC	
03B		00H01013011	CTO FARO DELANTERO FARO ANTERIORE HEADLIGHT LENS SUB-ASSEMBLY	SCHEINWERFER OPTIQUE COMPLETE	1 2 4 5 7 8 AB D	FRANCE AUSTRIA
04A		00003710110	R-PORTALAMPARAS PORTA-LAMPADE BULB HOLDER	LAMPENHALTER R-PORTE-LAMPES	1 2 3 4 5 6 7 8 9 ABCD	
05A		00003710120	R-MUELLE PORTLAMPARAS R- MOLLA PORTALAMPADE BULB HOLDER SPRING	FEDER F. LAMPENHALTER R-RESSORT PORTE-LAMPES	1 2 3 4 5 6 7 8 9 ABCD	
06A		00H05703141	R-PROTECTOR PORTALAMPARAS R-PROTEZIONE PORTALAMPADA FA HEADLAMP BULB HOLDER PROTC	LAMPENDECKEL R-PROT.PORTE-LAMPES	1 2 3 4 5 6 7 8 9 ABCD	
07A		00H01000131	LAMPARA FARO 12V 35W/35W LAMPADA FARO HEADLIGHT BULB	SCHEINWERFERLAMPE TUBE PHARE	1 2 3 4 5 6 7 8 9 ABCD	
08A		00H01002341	R-CRISTAL PILOTO VETRO SPIA/STOP LENS, TAILLIGHT	RUCK LIGHTCELLONES CABOCHON DE FEU ARRIERE	1 2 3 4 5 6 7 8 9 ABCD	
09A		00H01006321	CTO.FARO PILOTO FANALINO POSTERIORE TAILLIGHT ASSY	RUCKLIGHT FEU ARRIERE	1 2 3 4 5 6 7 8 9 ABCD	

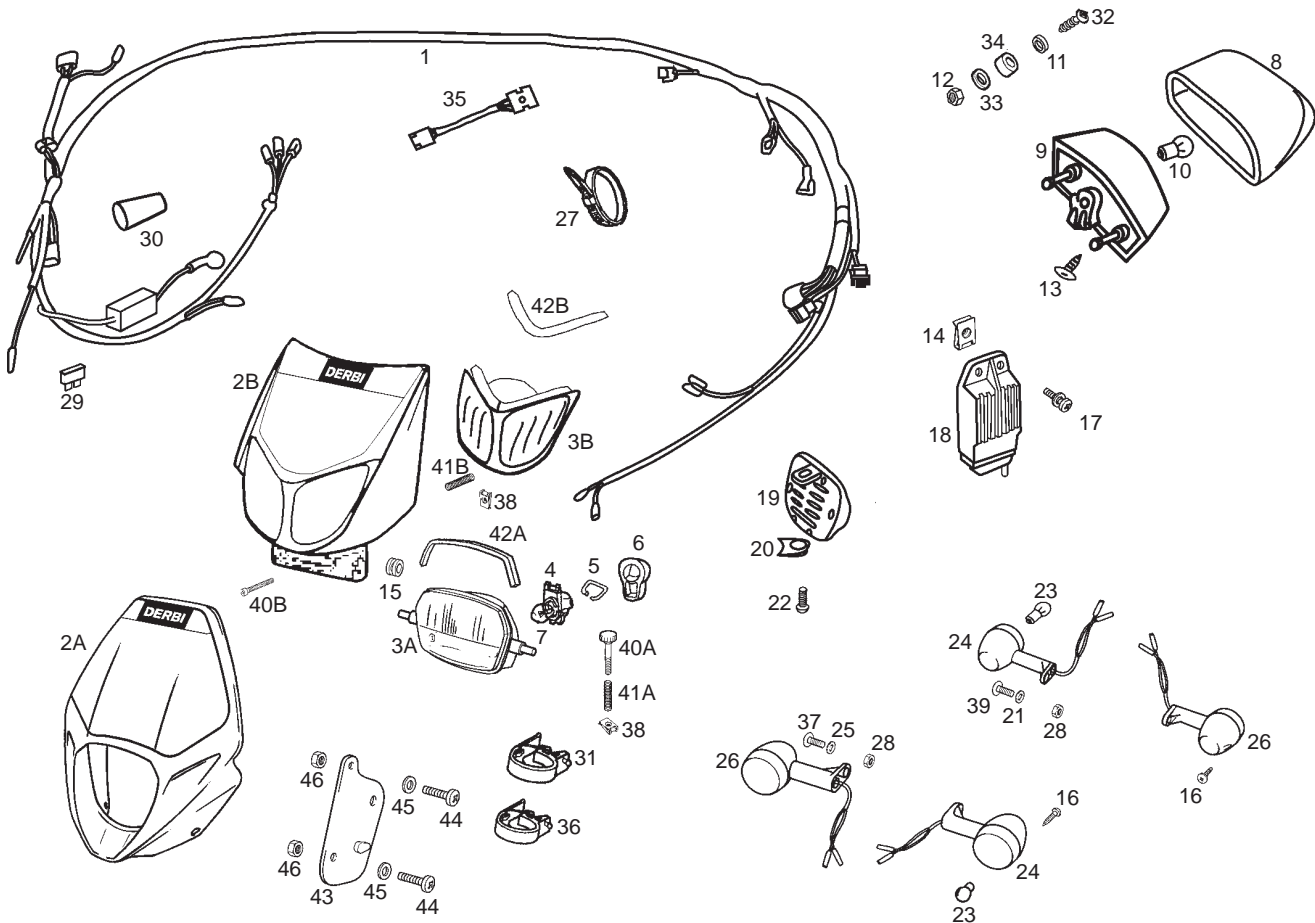


Fig.	Ver.	COD. KOD.	DESCRIPCIÓN DENOMINAZIONE NAME	BEZEICHNUNG DESIGNATION	MOD.	NOTAS NOTES NOTA MITSCHRIFT NOTES
10A		00H01000371	LAMP.PILOTO-STOP.12V.21/5W. LAMPADA FANALINO POSTERIORE BULB, TAILLIGHT/STOP	BIRNE BREMSLIGHT LAMPE-TEMOIN-STOP	1234567 89ABCD	
11A		00H03800722	ARANDELA TOPE MUELLE EMBRAGUE RONDELLA WASHER	SCHEIBE RONDELLE	1234567 89ABCD	
12A		00000023051	TUERCA AUTOBLOCANTE 5M80 DADO NUT	MUTTER ECROU	1234567 89ABCD	
13A		00G01001571	R-TORNILLO FIJ.FARO PILOTO PREDATOR VITE SCREW	SCHRAUBE VIS	1234567 89ABCD	
14A		00D01501371	TUERCA FIJACION D6 DADO NUT	MUTTER ECROU	1234567 89ABCD	
15A		00H05701061	PASACABLES PASSACAVI CARC.FARO HEADLIGHT COSING RUBBER	KABELSCHUTZ PASSE-CABLES	1234567 89ABCD	
16A		00011021300	TORNILLO AUTR.C/CRUZ.2,9X13 VITE SCREW	SCHRAUBE VIS	1234567 89ABCD	
17A		00D05900081	SCTO TORNILLO 6M100X16 VITE SCREW	SCHRAUBE VIS	1234567 89ABCD	
18A		00H01008841	REGULADOR AC/DC REGOLATORE TENSIONE REGULATOR	SPANNUNGSREGLER REGULATEUR AC/DC	1234567 89ABCD	
19A		00H01005311	CTO. CLAXON CLACSON HORN ASSEMBLY	HUPE KLAXON COMPLET	1234567 89ABCD	
20A		00D01501371	TUERCA FIJACION D6 DADO NUT	MUTTER ECROU	1234567 89ABCD	

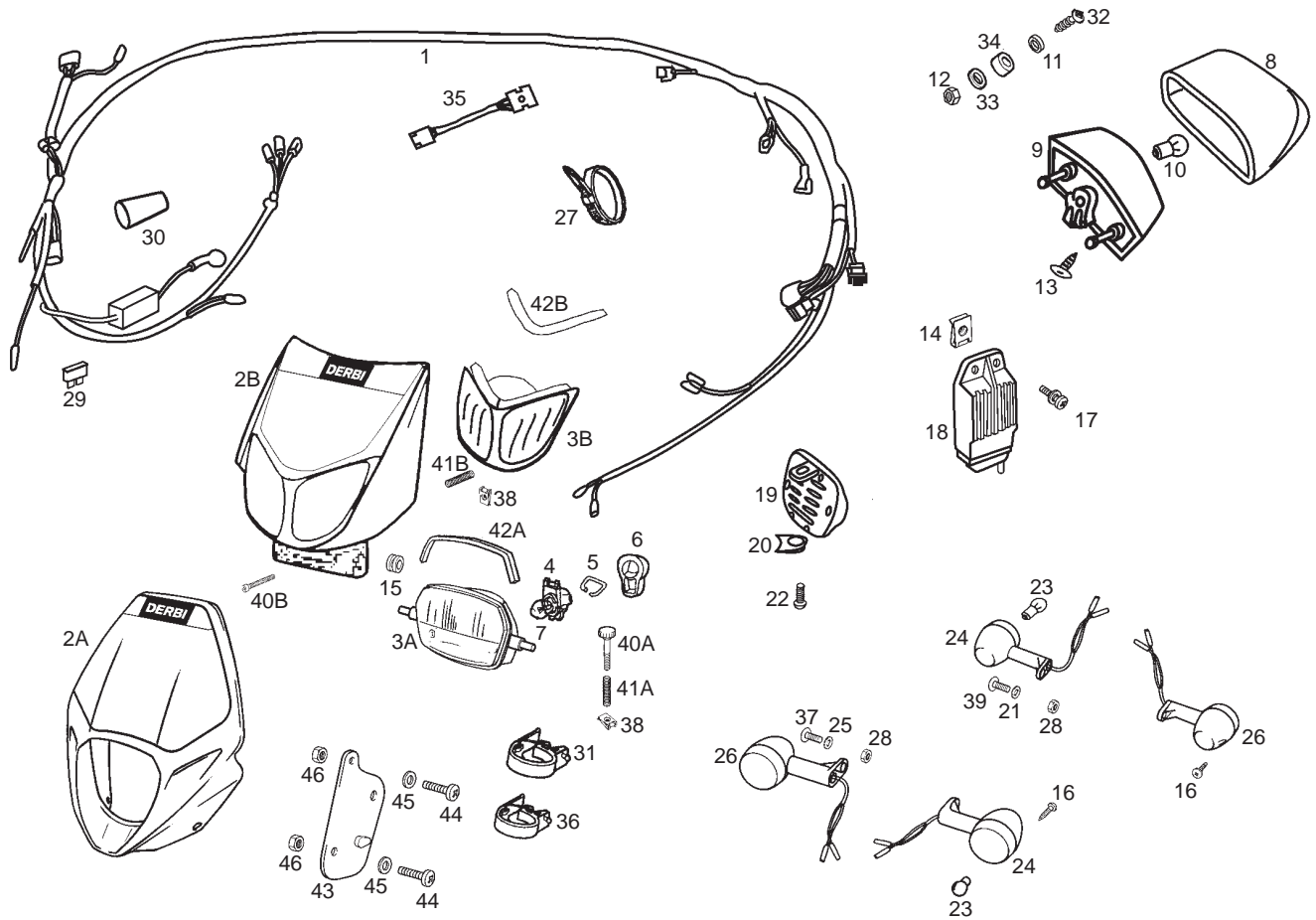


Fig.	Ver.	COD. KOD.	DESCRIPCIÓN DENOMINAZIONE NAME	BEZEICHUNG DESIGNATION	MOD.	NOTAS NOTES NOTA MITSCHRIFT NOTES
21A		00031106000	ARANDELA PLANA D6 RONDELLA WASHER	SCHEIBE RONDELLE	1 2 3 4 5 6 7 8 9 ABCD	
22A		00012061200	TORNILLO C/CRUZ 6M100X12 VITE SCREW	SCHRAUBE VIS	1 2 3 4 5 6 7 8 9 ABCD	
23A		0000A517011	BOMBILLA INTERMITENTES LAMPADA INDICATOR LIGHT BULB	BLINKLICHTLAMPE TUBE PHARES CLIGNOTANTS	1 2 3 4 5 6 7 8 9 ABCD	
24A		00H01703301	CTO.FARO INTTE.TR.DR.ROUND INDIC.DIREZIONE TURN SIGNAL LIGHT REAR RH	BLINKR HINTEN GLIGNOTEURS AR. DROITE	1 2 3 4 5 6 7 8 9 ABCD	
25A		00031106000	ARANDELA PLANA D6 RONDELLA WASHER	SCHEIBE ROND.PLATE MECANISEE	1 2 3 4 5 6 7 8 9 ABCD	
26A		00H01703391	CTO.FARO INTTE.TR.IZQ.ROUND COMP.INDIC.DIREZIONE TURN SIGNAL LIGHT REAR LEFT	BLINKR HINTEN GLIGNOTEURS AR. GAUCHE	1 2 3 4 5 6 7 8 9 ABCD	
27A		00D00900531	BRIDA UNECABLES FLANGIA UNIONE CAVI BLACK CABLE TIE	KABELBINDER COLLIER	1 2 3 4 5 6 7 8 9 ABCD	
28A		00000023060	TUERCA AUTOBLOCANTE 6M100 DADO NUT	MUTTER ECROU	1 2 3 4 5 6 7 8 9 ABCD	
29A		00H01001911	FUSIBLE 7,5 AMP FUSIBILE FUSE	FUSE FUSIBLE	1 2 3 4 5 6 7 8 9 ABCD	
30A		00H02300961	PROTECTOR INSTALACION PROTEZIONE WIRING HARNESS CONNECTOR	WIRING HARNESS CONNECTOR PROTE PROTECTION CONNEXIONS INSTALLA	1 2 3 4 5 6 7 8 9 ABCD	
31A		00H04607841	BRIDA FIJACION CARCASA FARO FLANGIA CLAMP	BEF.-SCHELLE ENTRETOISE	1 2 3 4 5 6 7 8 9 ABC	

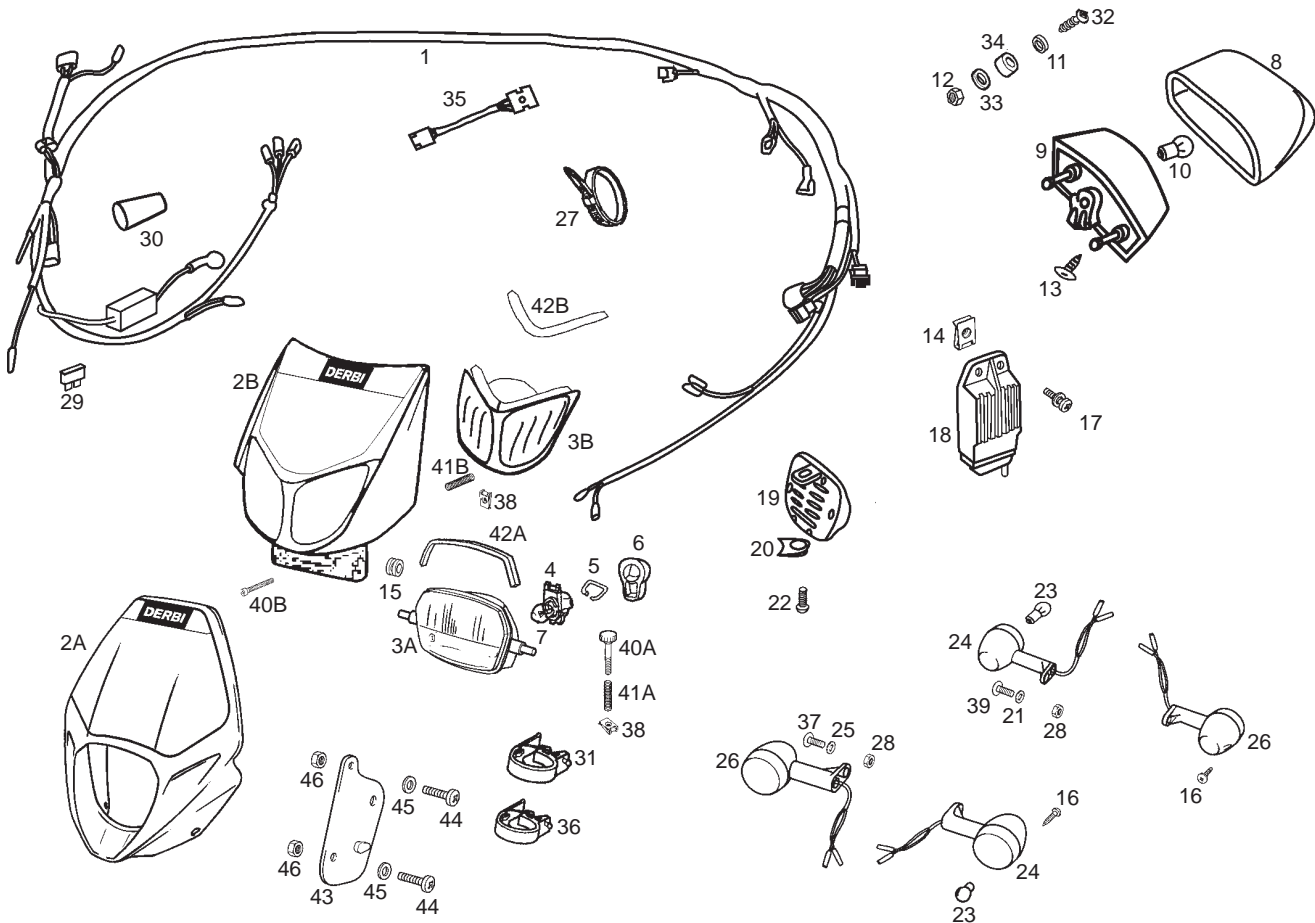


Fig.	Ver.	COD. KOD.	DESCRIPCIÓN DENOMINAZIONE NAME	BEZEICHNUNG DESIGNATION	MOD.	NOTAS NOTES NOTA MITSCHRIFT NOTES
31B		00H04608841	BRIDA FIJ. SUP.CARCASA FARO FLANGIA CLAMP	BEF.-SCHELLE ENTRETOISE	12 45 7 8 AB D	FRANCE AUSTRIA
32A		00004053500	TORNILLO C/ALLEN 5 X 35 VITE BOLT	INBUSSCHRAUBE VIS	1234567 89ABCD	
33A		00H01002821	CASQUILLO GHIERA BEARING	LAGER COUSSINET	1234567 89ABCD	
34A		00H06800461	SILENTB.FIJ.SOPTE.CARENADO SILENTBLOCK FISS.SUPORTO FAIRING MOUNTING BRACKET SECUR	SILENTBLOCK SILENTBLOC	1234567 89ABCD	
35A		00H05700481	CTO.TEMPORIZADOR CHECK IND. TEMPORIZZATORE CHECK INP. TIMER CHECK INDICATOR	ZEITSCHALTER FAISCEAU COMPTEUR	1234567 89ABCD	
36A		00H04607841	BRIDA FIJACION CARCASA FARO FLANGIA CLAMP	BEF.-SCHELLE ENTRETOISE	1234567 89ABCD	
37A		00008063000	TORNILLO C/RED ALLEN 6M100X30 VITE SCREW	SCHRAUBE VIS	1234567 89ABCD	
38A		00G04401462	TUERCA FIJACION D5 DADO NUT	MUTTER ECROU	1234567 89ABCD	
39A		00008061500	TORNILLO C/RED ALLEN 6M100X16 VITE SCREW	SCHRAUBE VIS	1234567 89ABCD	
40A		00012053000	TORNILLO REGULACION VITE SCREW	SCHRAUBE VIS	1234567 89ABC	
40B		00012045000	TORNILLO REGULACION VITE SCREW	SCHRAUBE VIS	12 45 7 8 AB D	FRANCE AUSTRIA

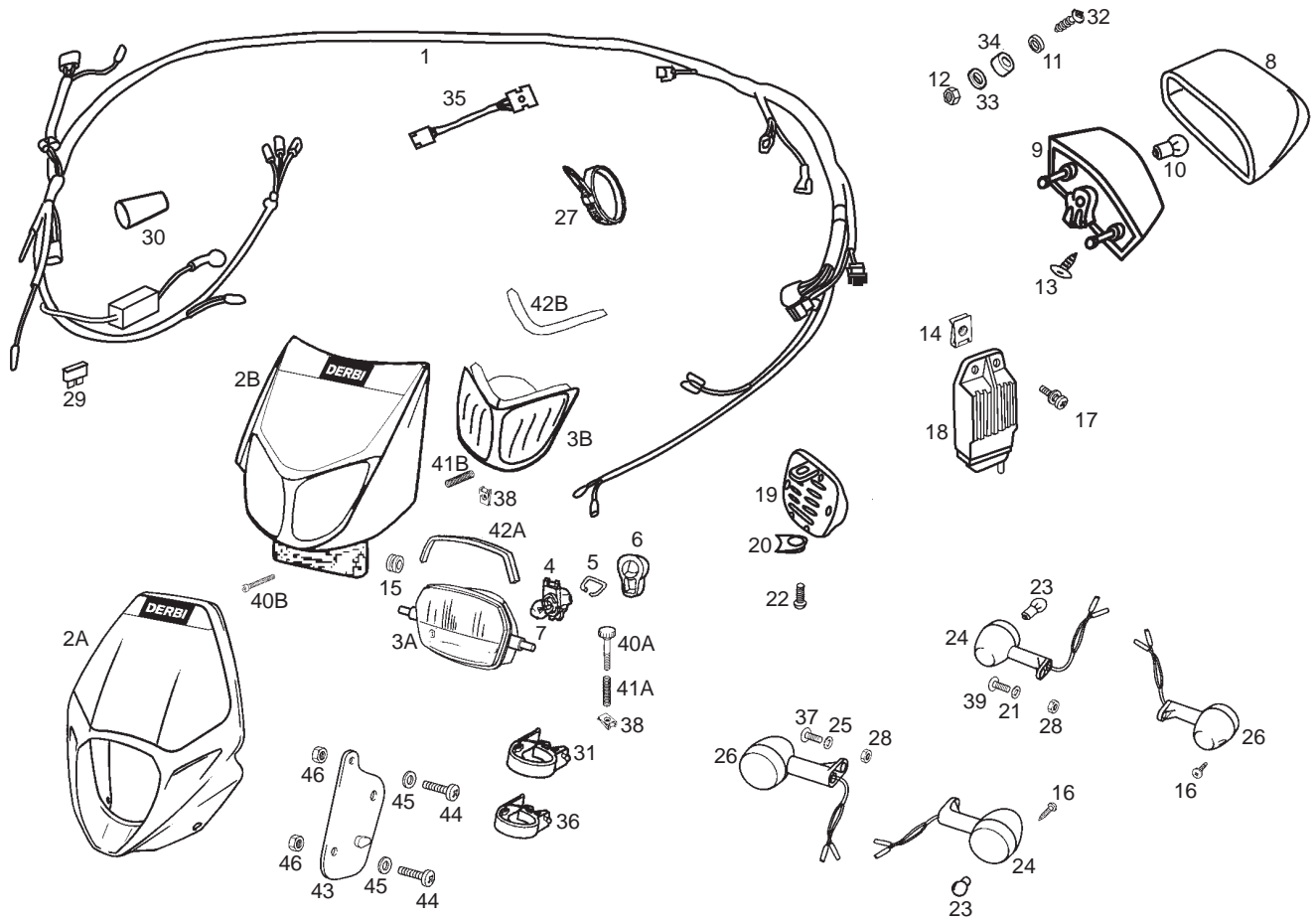


Fig.	Ver.	COD. KOD.	DESCRIPCIÓN DENOMINAZIONE NAME	BEZEICHNUNG DESIGNATION	MOD.	NOTAS NOTES MITSCHRIFT
41A		00H02305501	MUELLE REGULACION MOLA FARO ANTERIORE FRONT HEAD LIGHT SPRING	SCHEINWERFER-FEDER RESSORT PHARE AVANT	1 2 3 4 5 6 7 8 9 ABC	
41B		00H02304501	MUELLE REGULACION MOLA FARO ANTERIORE FRONT HEAD LIGHT SPRING	SCHEINWERFER-FEDER RESSORT PHARE AVANT	12 45 7 8 AB D	FRANCE AUSTRIA
42A		00H05701101	TOPE FARO FERMO FARO HEADLIGHT STOP	ANSCHLAG SCHEINWERFER BUTEE PHARE	1 2 3 4 5 6 7 8 9 ABC	
42B		00H05700101	TOPE FARO FERMO FARO HEADLIGHT STOP	ANSCHLAG SCHEINWERFER BUTEE PHARE	12 45 7 8 AB D	FRANCE AUSTRIA
43A		00H01502741	SOPORTE CARCASA FARO SUPPORTO CARC. HEADLIGHT CUSING SUPPORT	HALTERUNG SUPPORT	1 2 3 4 5 6 7 8 9 ABCD	
44A		00012051200	TORNILLO C/R.CRUZ.5M80X12 VITE SCREW	SCHRAUBE VIS	1 2 3 4 5 6 7 8 9 ABCD	
45A		00D02600631	ARANDELA RONDELLA WASHER	SCHEIBE RONDELLE	1 2 3 4 5 6 7 8 9 ABCD	
46A		00026005000	TUERCA EXAG C/BRIDA 5M80 DADO NUT	MUTTER ECROU	1 2 3 4 5 6 7 8 9 ABCD	

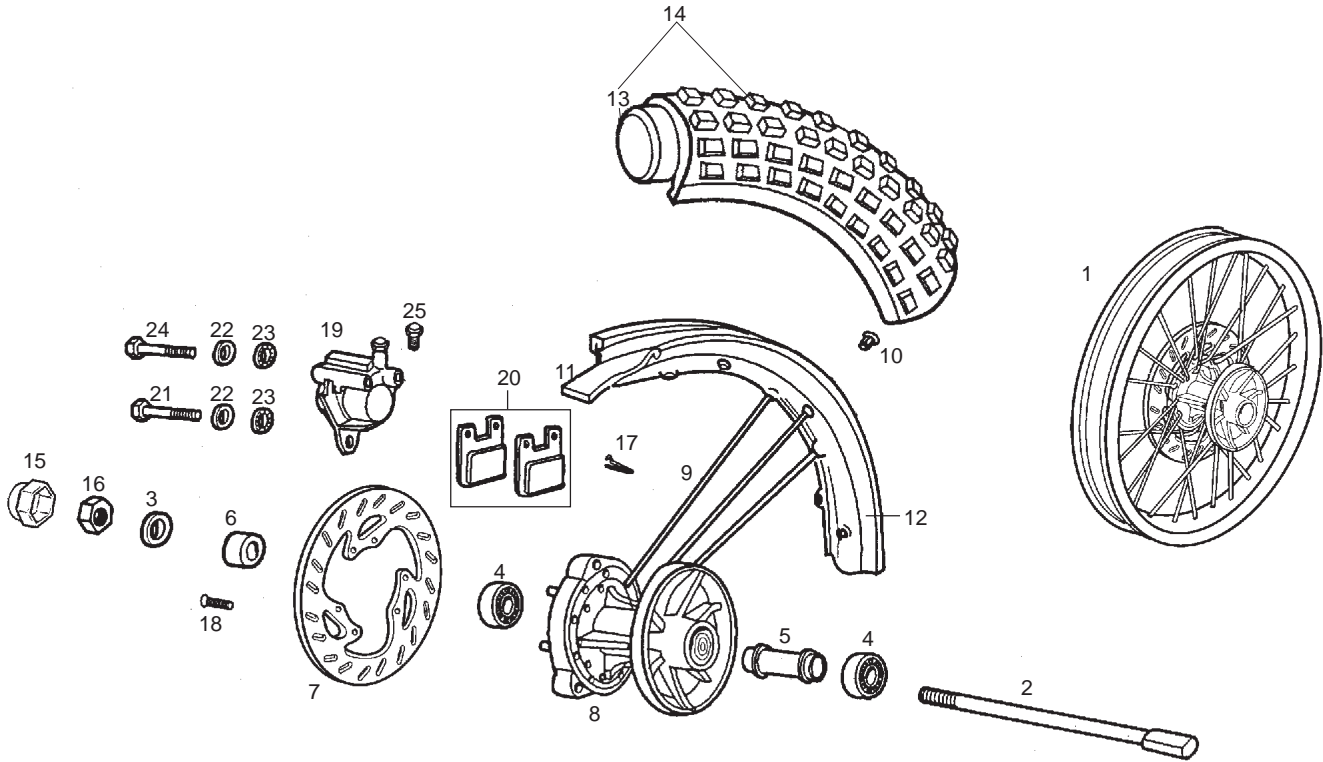


Fig.	Ver.	COD. KOD.	DESCRIPCIÓN DENOMINAZIONE NAME	BEZEICHNUNG DESIGNATION	MOD.	NOTAS NOTES NOTA MITSCHRIFT NOTES
01A		00H04713082	R-CTO RUEDA DT C/DISCO R-COMPL. RUOTA C/DISCO FRONT WHEEL W/DISC	VORDERRAD M/BREMSSCHEIBE ROUE AVEC DISQUE	1 2 3 4 5 6 7 8 9 A B C D	
02A		00H01203272	EJE RUEDA DTRA. ASSE RUOTA ANTERIORE AXLE FRONT WHEEL	VORDERRADACHSE AXE DE ROUE AV.	1 2 3 4 5 6 7 8 9 A B C D	
03A		00003112322	ARANDELA EJE RUEDA. RONDELLAASSE RUOTA FRONT WHEEL AXLE WASHER	SHEIBE RADACHSE RONDELLE AXE ROUE	1 2 3 4 5 6 7 8 9 A B C D	
04A		00058120100	COJINETE 12.32.10 CUSCINETTO BEARING	LAGER PALIER	1 2 3 4 5 6 7 8 9 A B C D	
05A		00D01300091	SEPARADOR COJINETES SEPARATORE CUSCINETTI SPACER	DISTANZHULSE ENTRETOISE	1 2 3 4 5 6 7 8 9 A B C D	
06A		00008213182	CASQUILLO LADO PLATO CHIERA LATO PIATTO SIDEFLAGE SLEEVE	DISTANZHULSE ENTRETOISE	1 2 3 4 5 6 7 8 9 A B C D	
07A		00H01209021	DISCO FRENO DELANTERO DISCO FRENO ANTERIORE FRONT BRAKE DISC	SCHEIBE NBREMSE VORN DISQUE FREIN AVANT	1 2 3 4 5 6 7 8 9 A B C D	
08A		00H01205711	CTO. CARRETE DTR. MOZZO ANT. FRONT HUB ASSY	RADNABE MOYEU	1 2 3 4 5 6 7 8 9 A B C D	
09A		00H01206061	RADIO RUEDA DT RAGGIO RUOTA ANT. WHEEL ARM.	SPEICHE RAYON DE ROUE	1 2 3 4 5 6 7 8 9 A B C D	
10A		00002212070	TUERCA RADIO. DADO NUT	MUTTER ECROU	1 2 3 4 5 6 7 8 9 A B C D	
11A		00D01201091	PROTECTOR CAMARA PROTETTORE CAMERA RUOTA RIM STRIP	FELGELBAND PROTECTEUR DE CHAMBRE A AIR	1 2 3 4 5 6 7 8 9 A B C D	

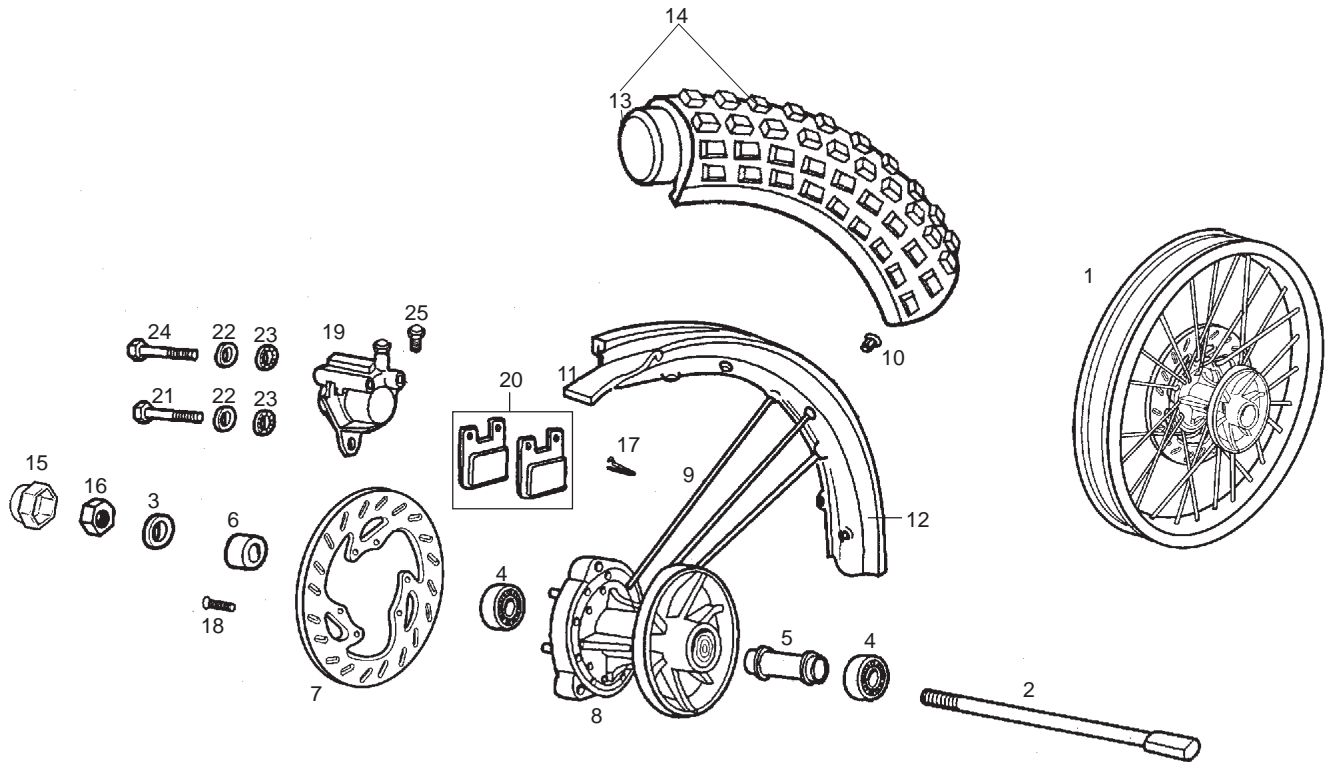


Fig.	Ver.	COD. KOD.	DESCRIPCIÓN DENOMINAZIONE NAME	BEZEICHNUNG DESIGNATION	MOD.	NOTAS NOTES NOTA MITSCHRIFT NOTES
12A		00H01212081	R-LLANTA DT 1,6X21" CERCHIONE RUOTA ANT. FRONT WHEEL RIM	VORDERRADFELGE JANTE AV.	1234567 89ABCD	
13A		00H01206101	CAMARA CAMERA DIARIA FRONT TUBE	SCHLAUCH VORNE CHAMBRE A AIR	1234567 89ABCD	
14A		00H01208111	CTO. CUBIERTA DT 21" COPERTORE ANT. FRONT CASING	REIFEN BORN PNEU AV.	1234567 89ABCD	
15A		00H01202331	PROTECTOR TUERCA DADO NUT	MUTTER ECROU	1234567 89ABCD	
16A		00232120032	TUERCA EXAGONAL 12M150 DADO NUT	MUTTER ECROU	1234567 89ABCD	
17A		00H01301831	MUELLE FIJ. PASTILLA FRENO MOLLA FISSAGGIO PASTIGLIA FREN REAR BRAKE PAD SECUR SPRING	FEDER RESSORT FIXATION PLAQUETTE	1234567 89ABCD	
18A		00H02402282	TORNILLO FIJ. DISCO FRENO VITE SCREW	SCHRAUBE VIS	1234567 89ABCD	
19A		00H01202193	R-CTO PINZA FRENO DT PINZA LEFT-HAND FRONT CLIP ASSY	BREMSZANGE ENS. ETRIER DE FREIN	1234567 89ABCD	
20A		00G04700141	JUEGO PASTILLAS DE FRENO CONG. PASTIGLIE FRENO SET OF BRAKE PADS	DIE GESAMTHEIT BREMSBACKEN ENS. PLAQUETTE DE FREIN	1234567 89ABCD	
21A		00022083021	TORNILLO 8M125X30 VITE SCREW	SCHRAUBE VIS	1234567 89ABCD	
22A		00402080001	ARANDELA D8 RONDELLA WASHER	SCHEIBE RONDELLE	1234567 89ABCD	

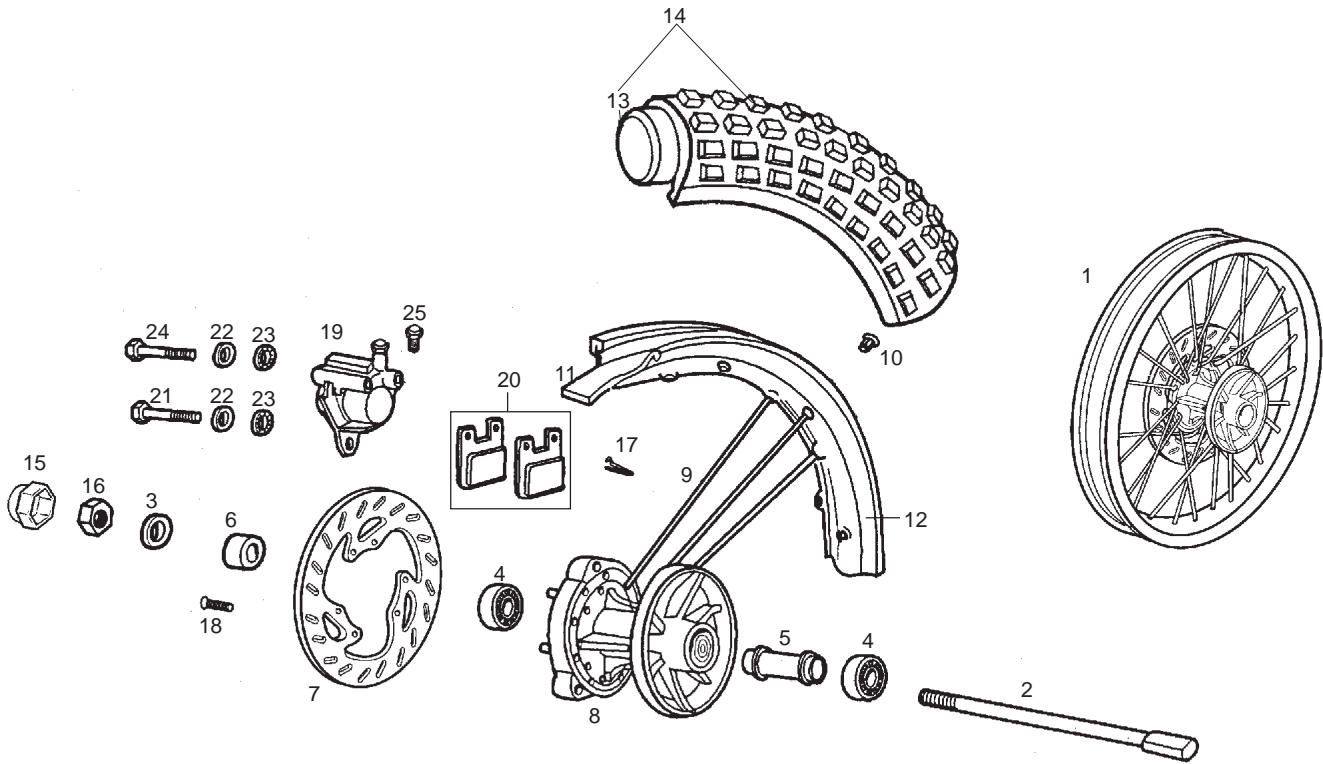


Fig.	Ver.	COD. KOD.	DESCRIPCIÓN DENOMINAZIONE NAME	BEZEICHNUNG DESIGNATION	MOD.	NOTAS NOTES NOTA MITSCHRIFT NOTES
23A		00034000802	ARANDELA ESTRELL.INT.D8 RONDELLA WASHER	SCHEIBE RONDELLE	1234567 89ABCD	
24A		00031086022	TORNILLO C/EX. 8M125X60 VITE SCREW	SCHRAUBE VIS	1234567 89ABCD	
25A		00F04700121	R-CTO. PURGADOR PINZA FRENO DT. R-SPURGO FRONT BRAKE BLEED CLIP ASSY	ABLASSHAHN R-ENS.PURGEUR PINCE FREIN A	1234567 89ABCD	

**RUEDA SIN DISCO Y SIN PLATO
WHEEL WITHOUT DISC AND DRIVE PLATE**

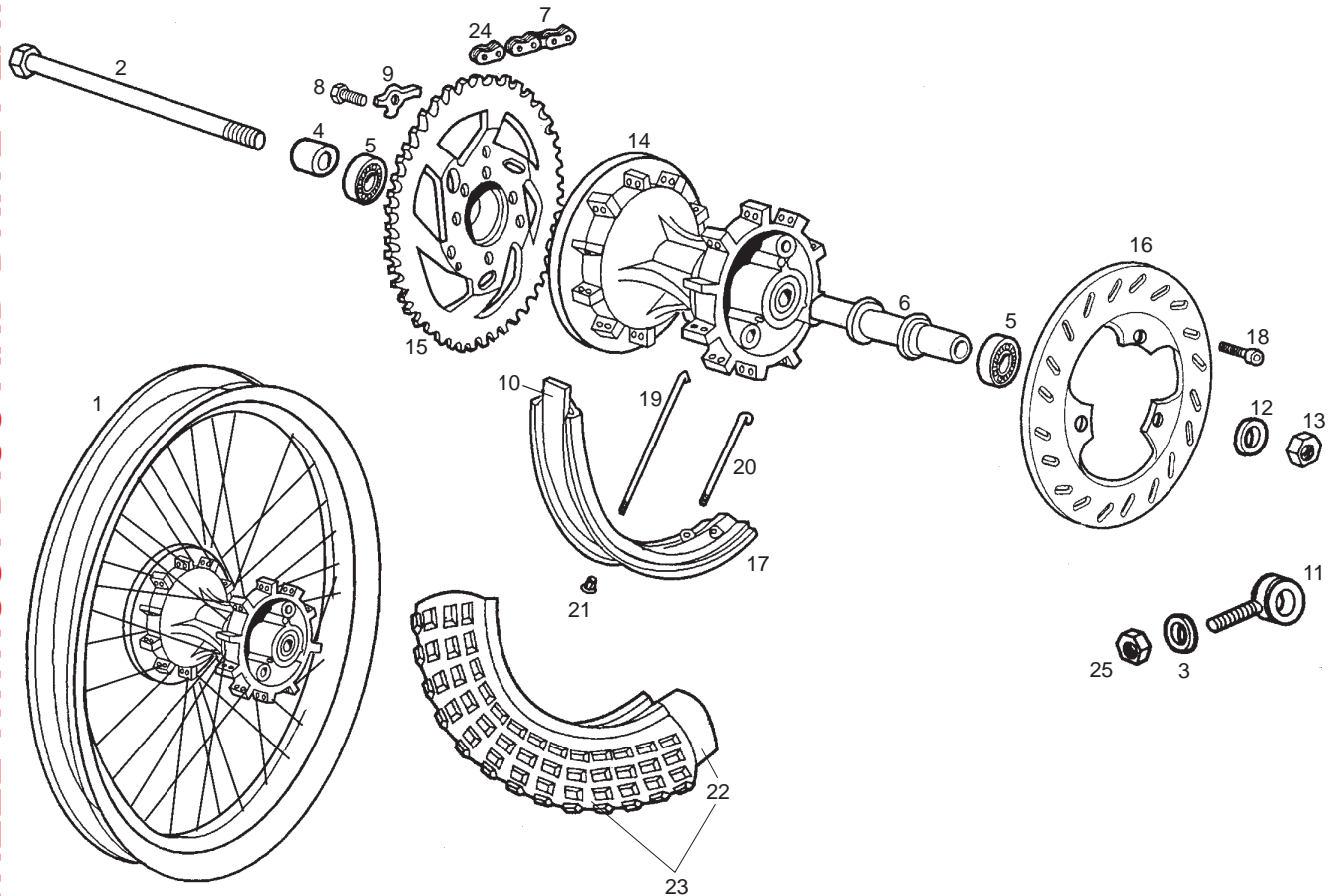
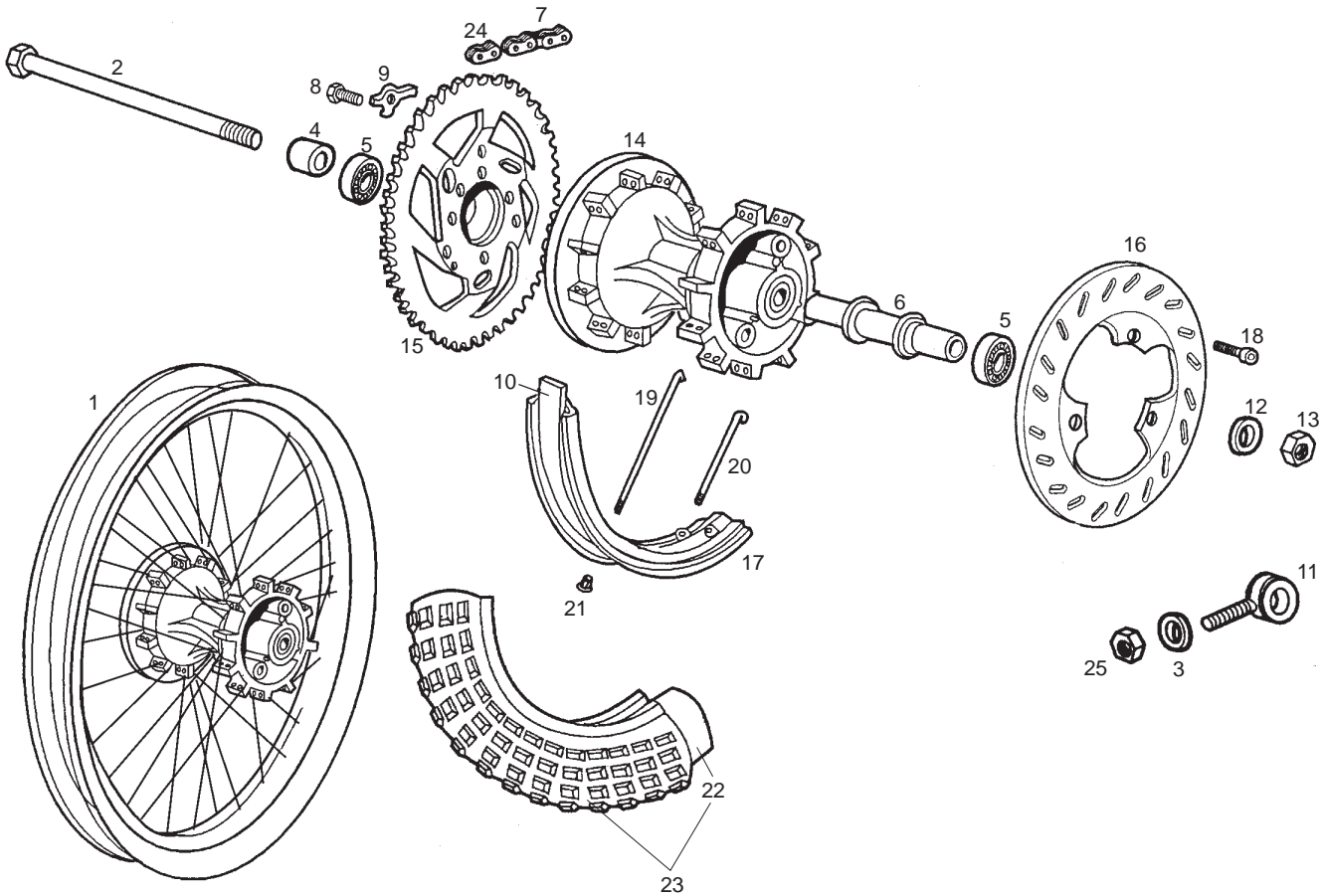


Fig.	Ver.	COD. KOD.	DESCRIPCIÓN DENOMINAZIONE NAME	BEZEICHNUNG DESIGNATION	MOD.	NOTAS NOTES NOTA MITSCHRIFT NOTES
01A		00H02404331	R-CTO LLANTA TR.C/CARR 2,15X18 CERCHIONE CON MOZZO REAR RIM WITH HUB	HINTERRAD MIT RADNABE ROUE ARRIERE AVEC MOYEU	1 2 3 4 5 6 7 8 9 ABCD	
02A		00H01304202	CTO. EJE RDA. TRAS. SUBASSE RUOTA POSTER REAR WHEEL AXLE SUB-ASSEMBLY G	HINTERRADACHSE AXE ROUE ARRIERE	1 2 3 4 5 6 7 8 9 ABCD	
03A		00402060001	ARANDELA D6 RONDELLA WASHER	SCHEIBE RONDELLE	1 2 3 4 5 6 7 8 9 ABCD	
04A		00001113192	CASQUILLO GRUESO LADO PLATO GHIERA LATO PIATTO SPACER	DISTANZHULSE ENTRETOISE	1 2 3 4 5 6 7 8 9 ABCD	
05A		00058120100	COJINETE 12.32.10 CUSCINETTO BEARING	LAGER PALIER	1 2 3 4 5 6 7 8 9 ABCD	
06A		00H01304091	SEPARADOR COJINETES SEPARATORE CUSCINETTI SPACER	DISTANZHULSE ENTRETOISE	1 2 3 4 5 6 7 8 9 ABCD	
07A		00H01502201	CADENA SECUNDARIA 130 P CATENA SEZ. TRANSMISSION CHAIN	KETTE CHAINE TRANSMISSION	1 2 4 5 7 8 AB D	
07B		00H01506201	CADENA SECUNDARIA 136 P CATENA SEZ. TRANSMISSION CHAIN	KETTE CHAINE TRANSMISSION	3 6 9 C	
08A		00002182000	TORNILLO C/EXAG.8M125X20 VITE SCREW	SCHRAUBE VIS	1 2 3 4 5 6 7 8 9 ABCD	
09A		00H01302052	PREC.TORNILLO PLATO ARRAST VITE SCREW	SCHRAUBE VIS	1 2 3 4 5 6 7 8 9 ABCD	
10A		00D01301401	PROTECTOR CAMARA PROTEZIONE CAMERA RUOTA POSTER RIM STRIP	FELGELBAND PROTECTEUR DE CHAMBRE A AIR	1 2 3 4 5 6 7 8 9 ABCD	



**RUEDA SIN DISCO Y SIN PLATO
WHEEL WITHOUT DISC AND DRIVE PLATE**

Fig.	Ver.	COD. KOD.	DESCRIPCIÓN DENOMINAZIONE NAME	BEZEICHNUNG DESIGNATION	MOD.	NOTAS NOTES NOTA MITSCHRIFT NOTES
11A		00H01302172	SCTO.TENSOR RUEDA SUBTENSORE RUOTA SEN ADJUSTER, REAR WHEEL	HINTERRADSPANNER TENDEUR DE ROUE ENSEMBLE	1234567 89ABCD	
12A		00F01210312	ARANDELA EJE RONDELLA WASHER	SCHEIBE RONDELLE	1234567 89ABCD	
13A		00262120032	TUERCA AUTOBLOCANTE 12M150 DADO NUT	MUTTER ECROU	1234567 89ABCD	
14A		00H01307821	CTO.CARRETE TRASERO MOZZO POST. REAR COIL	RADNABE MOYEU ARRIERE	1234567 89ABCD	
15A		00H01317032	PLATO ARRASTRE Z-53 PIATTO TRAINO DRIVE PLATE	MITNEHMERSCHEIBE COURONNE ARRIERE	12 45 7 8 AB D	
15B		00H01326031	PLATO ARRASTRE Z-65 PIATTO TRAINO DRIVE PLATE	MITNEHMERSCHEIBE COURONNE ARRIERE	3 6 9 C	
16A		00H01305531	DISCO FRENO TR. DISCO FRENO POSTERIORE REAR BRAKE DISC	BREMSSCHEIBE HINTEN DISQUE DE FREIN ARRIERE	1234567 89ABCD	
17A		00H01302351	R-LLANTA TRASERA 2,15X18 CERCHIONE POSTERIORE REAR RIM	HINTERRADFELGE JANTE ARRIERE NUE.	1234567 89ABCD	
18A		00H02401282	TORNILLO FIJ.DISCO FR.TR. VITE SCREW	SCHRAUBE VIS	1234567 89ABCD	
19A		00H01301501	RADIO TRASERO LADO PLATO RADIO POST.LATO PIATTO REAR INNER SPOKE	SPEICHE RAYON ROUE ARRIERE INT.	1234567 89ABCD	
20A		00H01301691	RADIO TRASERO LADO DISCO RADIO POST. DISCO REAR SHORT INNER SPOKE	SPEICHE RAYON ROUE AR INT.COURT	1234567 89ABCD	

**RUEDA SIN DISCO Y SIN PLATO
WHEEL WITHOUT DISC AND DRIVE PLATE**

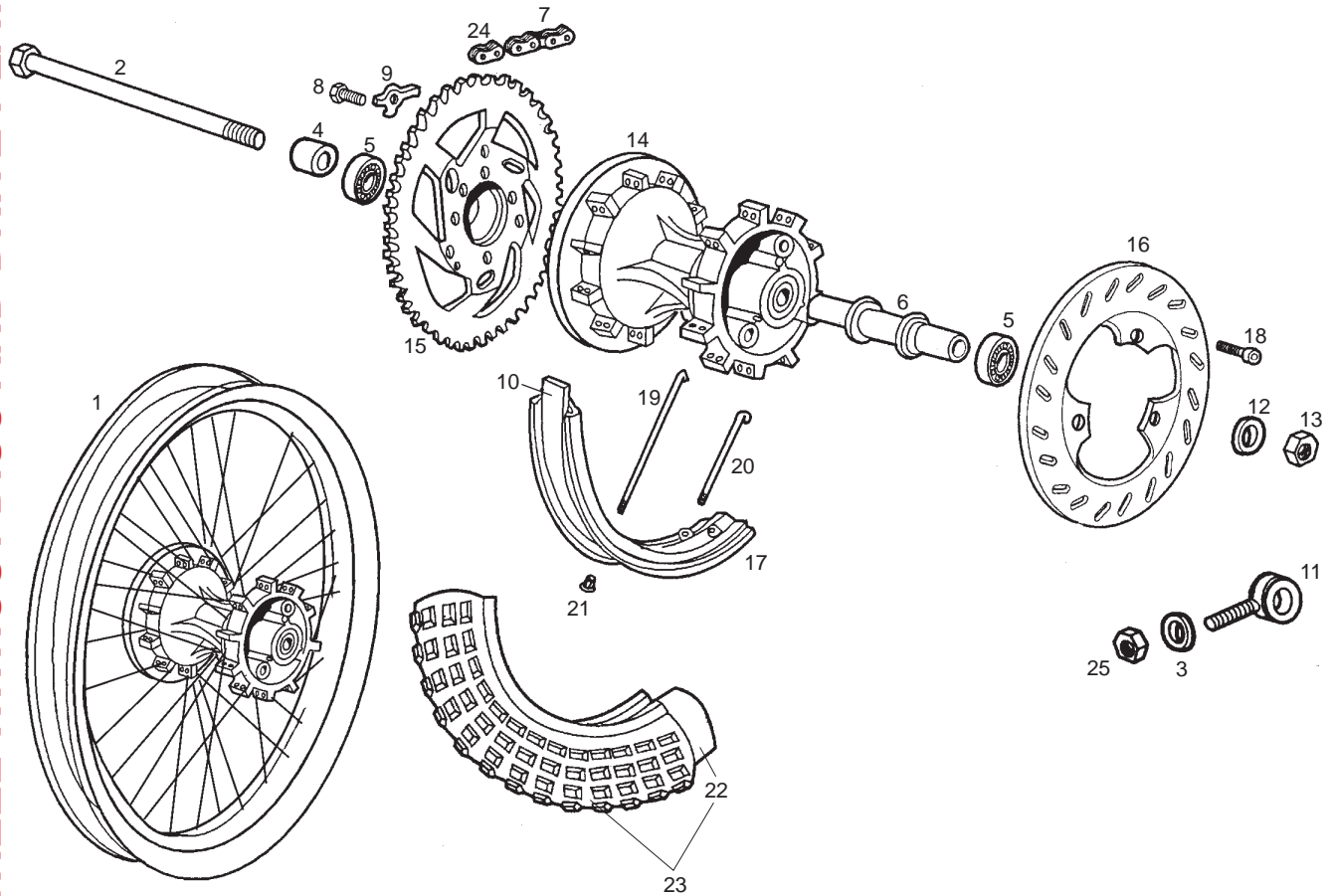


Fig.	Ver.	COD. KOD.	DESCRIPCIÓN DENOMINAZIONE NAME	BEZEICHNUNG DESIGNATION	MOD.	NOTAS NOTES NOTA MITSCHRIFT NOTES
21A		00002212070	TUERCA RADIO. DADO NUT	MUTTER ECROU	1234567 89ABCD	
22A		00H01308361	CAMARA CAMERA RUOTA POST. REAR WHEEL CAMBER	SCHLAUCH CHAMRE AAIR ARR.	1234567 89ABCD	
23A		00H01309321	CTO. CUBIERTA TRASERA 18" COPERTONE POST. REAR CASING	REIFEB HINTEN PNEU ARR.	1234567 89ABCD	
24A		00H01501212	R-ENGANCHE DORAD.CADENA SEC. AGGANCIAMENTO CATENA SICUREZZA MASTER LINK	KETTENSHLOSS ATTACHE RAPIDE	1234567 89ABCD	
25A		00000023060	TUERCA AUTOBLOCANTE 6M100 DADO NUT	MUTTER ECROU	1234567 89ABCD	

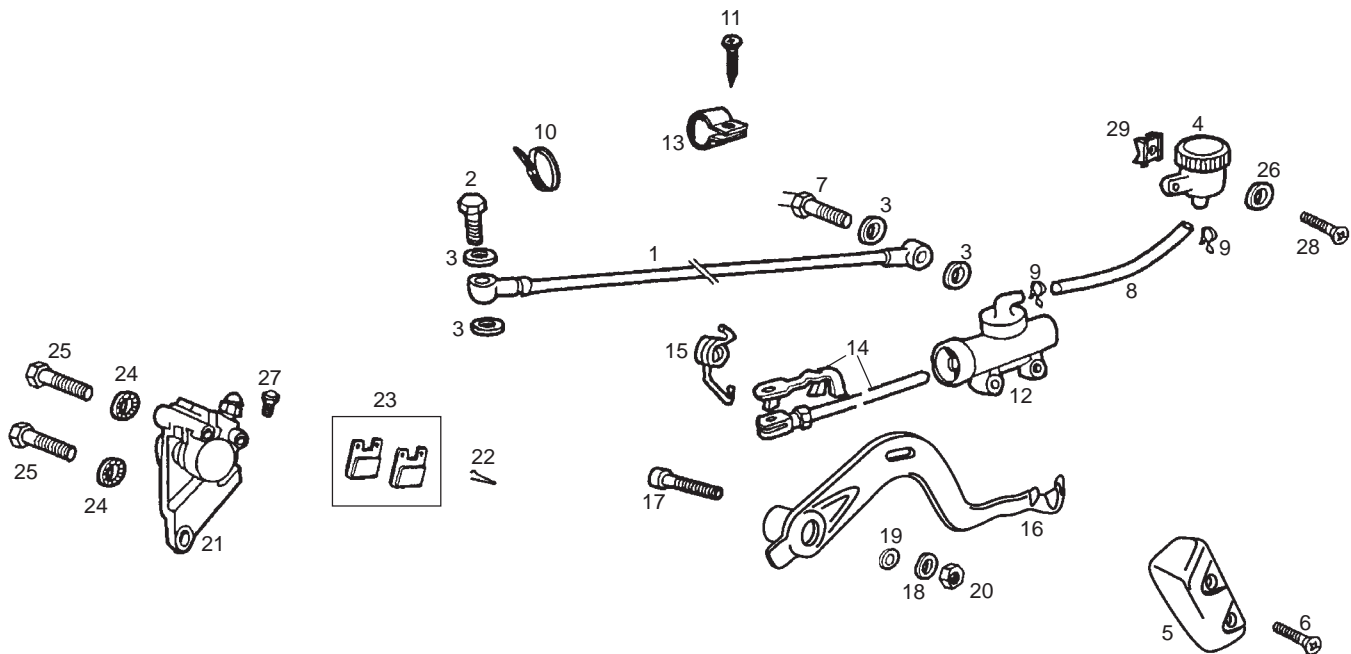


Fig.	Ver.	COD. KOD.	DESCRIPCIÓN DENOMINAZIONE NAME	BEZEICHNUNG DESIGNATION	MOD.	NOTAS NOTES NOTA MITSCHRIFT NOTES
01A		00H01109081	TUBO LIQUIDO FRENO TRASERO TUBO LIQUIDO FRENO BRAKE ROD	BREMSSCHLAUCH TIGE DE FREIN	1234567 89ABCD	
02A		00006309260	RACORD TUBO HIDRAULICO RACCORDO TUBO IDRAULICO HYDRAULIC TUBE CONNECTOR	STUTZEN HIDRAULIKLEITUNG RACCORD TUYAU HYDRAULIQUE	1234567 89ABCD	
03A		00006321040	ARANDELA JUNTA RACORD RONDELLA WASHER	SCHEIBE RONDELLE	1234567 89ABCD	
04A		00D01100201	CTO. DPSTO. LIQUIDO FRENO TRASERO SERBATOIO LIQUIDO FR FLUID TUBE TANK	BEHALTER RESERVOIR FLUID TUBE	1234567 89ABCD	
05A		00H01101731	PROTECT.BOMBA PROTEZIONE FRENO POSTERIORE REAR BRAKE, PROTECTOR	ABDECKUNG PROTECTEUR ENS.COMMANDE FRE	1234567 89ABCD	
06A		00G01503701	TORNILLO VITE SCREW	SCHRAUBE VIS	1234567 89ABCD	
07A		00H01001701	CTO. INTERRUPTOR STOP COMP.INTERUTTORE FANALINO SWITCH, STOP LIGHT	STOPCHALTER VO. INTERRUPTEUR COMMANDE STOP	1234567 89ABCD	
08A		00H01101211	TUBO DPSTO. A BOMBA FRENO TRAS. TUBO SERBATOIO A POMPA FRENO P REAR FLUID TUBE	SCHLAUCH FLEXIBLE DE FREIN ARRIERE	1234567 89ABCD	
09A		00H03700131	ABRAZADERA ELASTICA RONDELLA STELLA INTERIORE ELASTIC CLAMP	SHELLE ELAST. COLLIER ELASTIQUE	1234567 89ABCD	
10A		00F00900531	BRIDA FLANGIA UNIONE CAVI BLACK CABLE TIE	KABELBINDER COLLIER	1234567 89ABCD	
11A		00011141300	TORNILLO AUT.C/CR.NG.4,8X13 VITE SCREW	SCHRAUBE VIS	1234567 89ABCD	

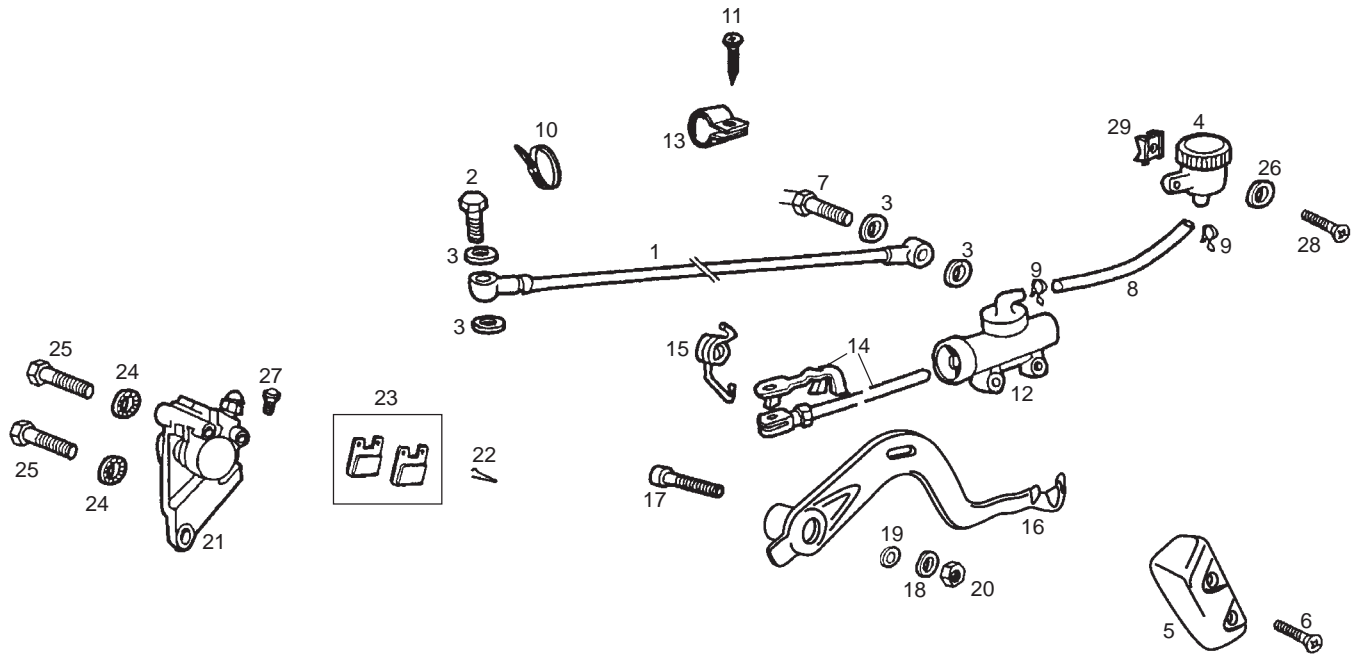


Fig.	Ver.	COD. KOD.	DESCRIPCIÓN DENOMINAZIONE NAME	BEZEICHUNG DESIGNATION	MOD.	NOTAS NOTES NOTA MITSCHRIFT NOTES
12A		00H01102181	CTO. BOMBA FRENO TRASERO FRENO POSTERIORE REAR BRAKE CONTROLASSY	REAR BRAKE CONTROLASSY. ENSEMBLE COMMANDE FREIN ARRIER	1 2 3 4 5 6 7 8 9 ABCD	
13A		00H01501811	BRIDA FLANGIA CLAMP	BEF.-SCHELLE ENTRETOISE	1 2 3 4 5 6 7 8 9 ABCD	
14A		00H01103611	CTO.VARILLA BOMBA FRENO COMP.ASTA POMPA FRENO REAR BRAKE ROD	BREMSSTANGE TIGE DE FREIN ARRIERE	1 2 3 4 5 6 7 8 9 ABCD	
15A		00H01102072	MUELLE PEDAL FR. TRASERO MOLLA PEDALE FRENO POSTERIORE SPRING PEDAL BRAKE	FEDER RESSORT PEDALE FREIN	1 2 3 4 5 6 7 8 9 ABCD	
16A		00H01120021	PALANCA FRENO PEDALE FRENO BRAKE PEDAL	FUSSBREMSHEBEL PEDALE DE FREIN AR.	1 2 3 4 5 6 7 8 9 ABCD	
17A		00H01100172	TORNILLO FIJACION PALANCA VITE PEDALE FRENO BRAKE PEDAL BRAKE	INBUSSCHRAUBE FUSSBREMSHEBEL BOULON PEDALE DE FREIN	1 2 3 4 5 6 7 8 9 ABCD	
18A		00402080001	ARANDELA D8 RONDELLA WASHER	SCHEIBE RONDELLE	1 2 3 4 5 6 7 8 9 ABCD	
19A		00005527540	ARANDELA RONDELLA WASHER	SCHEIBE RONDELLE	1 2 3 4 5 6 7 8 9 ABCD	
20A		00023108000	TUERCA AUTOBLOCANTE 8M125 DADO NUT	MUTTER ECROU	1 2 3 4 5 6 7 8 9 ABCD	
21A		00H01104583	R-CTO PINZA FRENO TRASERA PINZA REAR CLIP ASSEMBLY	BREMSZANGE HINTEN ETRIER FREIN ARR.	1 2 3 4 5 6 7 8 9 ABCD	
22A		00H01301831	MUELLE FIJACION MOLLA FISSAGGIO PASTIGLIA FREN REAR BRAKE PAD SECUR SPR.	FEDER RESSORT FIXATION PLAQUETTE	1 2 3 4 5 6 7 8 9 ABCD	

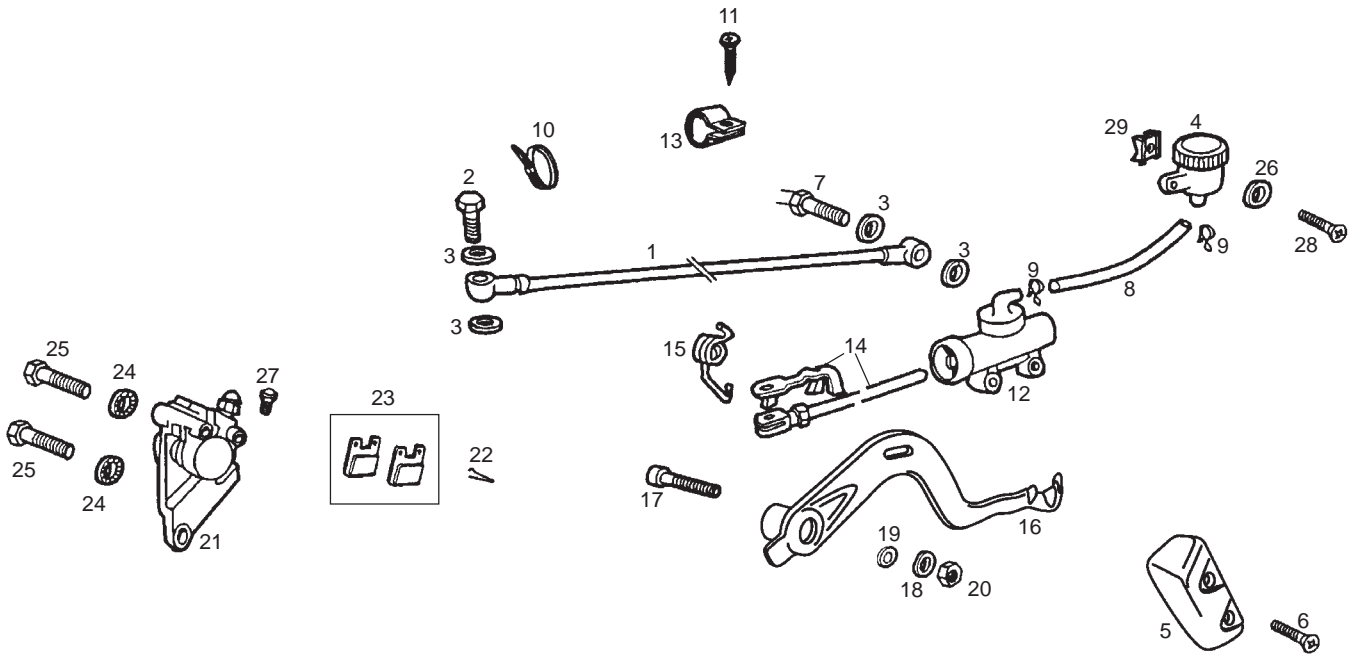


Fig.	Ver.	COD. KOD.	DESCRIPCIÓN DENOMINAZIONE NAME	BEZEICHNUNG DESIGNATION	MOD.	NOTAS NOTES NOTA MITSCHRIFT NOTES
23A		00G04700141	JUEGO PASTILLAS DE FRENO CONG. PASTIGLIE FRENO SET OF BRAKE PADS	DIE GESAMTHEIT BREMSBACKEN ENS. PLAQUETTE DE FREIN	1 2 3 4 5 6 7 8 9 ABCD	
24A		00034000802	ARANDELA ESTRELLA D8 RONDELLA WASHER	SCHEIBE RONDELLE	1 2 3 4 5 6 7 8 9 ABCD	
25A		00000002840	TORNILLO C/EXAG. 8M125X40 VITE SCREW	SCHRAUBE VIS	1 2 3 4 5 6 7 8 9 ABCD	
26A		00D02600631	ARANDELA RONDELLA WASHER	SCHEIBE RONDELLE	1 2 3 4 5 6 7 8 9 ABCD	
27A		00F04700121	R-CTO. PURGADOR PINZA FRENO R-SPURGO FRONT BRAKE BLEED CLIP ASSY	ABLASSHAHN R-ENS.PURGEUR PINCE FREIN A	1 2 3 4 5 6 7 8 9 ABCD	
28A		00012151500	TORNILLO C/RED.ALLEN.5M100X16 VITE SCREW	SCHRAUBE VIS	1 2 3 4 5 6 7 8 9 ABCD	
29A		00G04401462	TUERCA FIJACION D5 DADO NUT	MUTTER ECROU	1 2 3 4 5 6 7 8 9 ABCD	

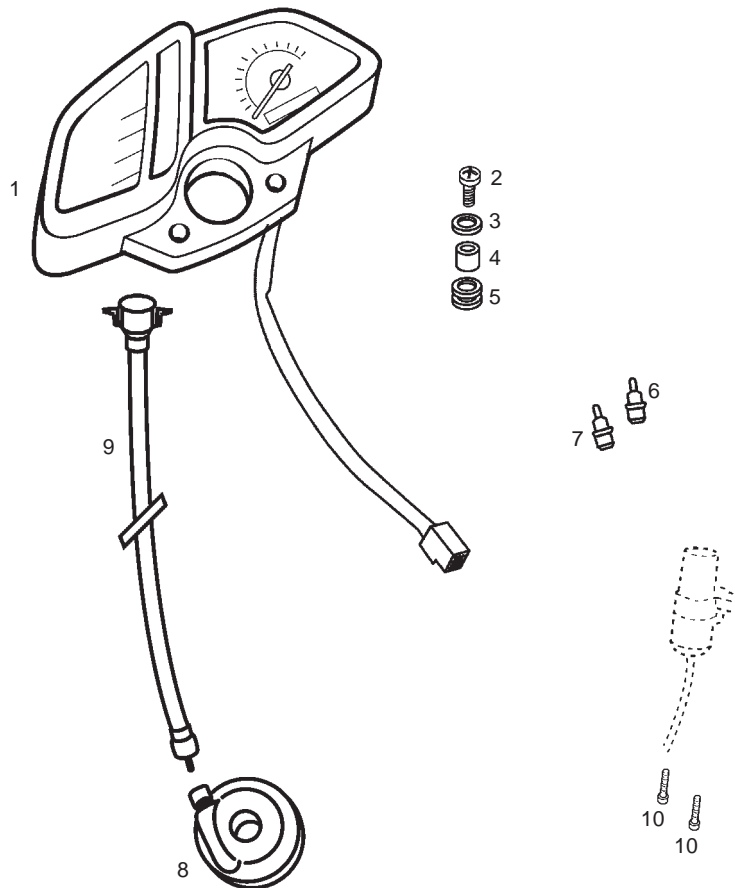


Fig.	Ver.	COD. KOD.	DESCRIPCIÓN DENOMINAZIONE NAME	BEZEICHNUNG DESIGNATION	MOD.	NOTAS NOTES NOTA MITSCHRIFT NOTES
01A		00H01625521	CTO. TABLIER SENDA R X-TREM (KM/H) CRUSCOTTO (KM/H) DASH ASSY (KM/H)	INSTRUMENTERHALTER (KM/H) BOITIER TABLEAU BORD (KM/H)		KILOMETERS PER HOUR
01B		00H01628521	CTO. TABLIER SENDA R X-TREM (MILE/H) CRUSCOTTO (MILE/H) DASH ASSY (MILE/H)	INSTRUMENTERHALTER (MILE/H) BOITIER TABLEAU BORD (MILE/H)		MILES PER HOUR
02A		00012152000	TORNILLO C/RED.CRUZ 5M80X20 VITE SCREW	SCHRAUBE VIS	1 2 3 4 5 6 7 8 9 ABCD	
03A		00454050001	ARANDELA RONDELLA WASHER	SCHEIBE RONDELLE	1 2 3 4 5 6 7 8 9 ABCD	
04A		00H01600911	CASQUILLO GHIERA SILENT.FISS.CRUSCOT.FE BUSHING	FUHRUNGSBUCHSE GABELSCHENK ENTRETOISE	1 2 3 4 5 6 7 8 9 ABCD	
05A		00D01500021	PASACABLES PORTACAVI IST. FARAFANGO POST. GROMMET	GUMMI CAOUTCHOUC PASSE-CABLE	1 2 3 4 5 6 7 8 9 ABCD	
06A		00G01602581	R-CTO. PORTALAMP/LAMP. 12V 1,2 W PORTALAMPADE BULB HOLDER AND BULB	LAMPENHALTER R-PORTE-LAMPES	1 2 3 4 5 6 7 8 9 ABCD	
07A		00G01601581	R-CTO. PORTALAMP/LAMP. 12V 2 W PORTALAMPADE BULB HOLDER AND BULB	LAMPENHALTER R-PORTE-LAMPES	1 2 3 4 5 6 7 8 9 ABCD	
08A		00G01606051	CTO. REENVIO. RINVIO RETURN UNIT.	RETURN UNIT. RENOI DE ROUE	1 2 3 4 5 6 7 8 9 ABCD	
09A		00H01616021	CTO. CABLE-FUNDA CUENTA KM CAVO-GUAINA CONTACHI CABLE, SPEEDOMETER DRIVE	TACHOWELLE ENSEMB.CABLE-GAINE COMPTEUR	1 2 3 4 5 6 7 8 9 ABCD	
10A		00002082021	TORNILLO 8M125X20 VITE SCREW	SCHRAUBE VIS	1 2 3 4 5 6 7 8 9 ABCD	

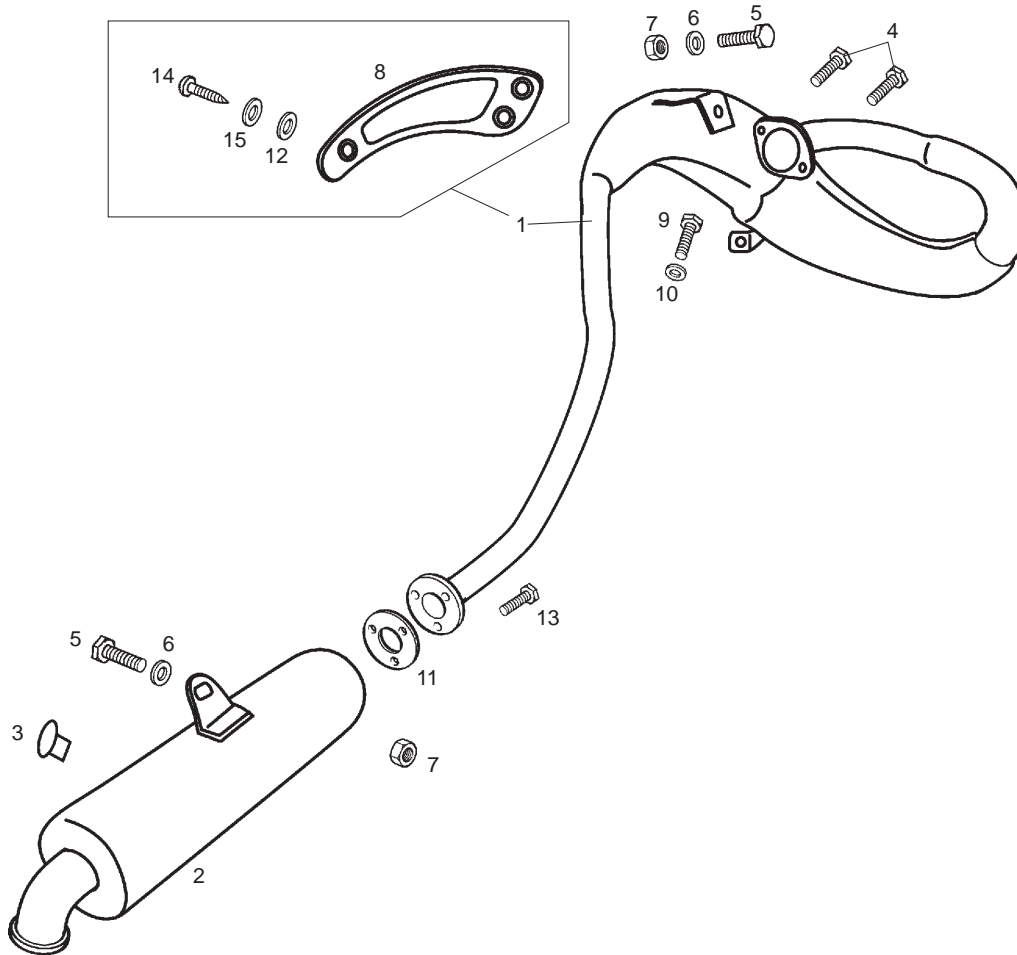


Fig.	Ver.	COD. KOD.	DESCRIPCIÓN DENOMINAZIONE NAME	BEZEICHNUNG DESIGNATION	MOD.	NOTAS NOTES NOTA MITSCHRIFT NOTES
01A		00H03453081	SCTO TUBO ESCAPE SENDA R E2 SUBCOMP.TUBO SCAPP-SIL. EXHAUST PIPE AND MUFFLER	AUSPUFF ENSEMBLE TUBE DIECHAPPEMENT	12 45 7 8 AB D	
01B		00H03446081	SCTO TUBO ESCAPE SENDA R E2 SUBCOMP.TUBO SCAPP-SIL. EXHAUST PIPE AND MUFFLER	AUSPUFF ENSEMBLE TUBE DIECHAPPEMENT	3 6 9 C	
02A		00H03429412	SCTO SORDINA SUBCOMP.SORD. EXHAUST TANK	SCHALLDAMPFER SILENCIEUX DIECHAPPEMENT	1234567 89ABCD	
03A		00G01500951	TOPE GOMA APPOGGIO ZAMPA CAVALLETO SIDE STAND REST	GUMMISTOPPEL APPUI BEQUILLE LATERALE	1234567 89ABCD	
04A		00002062011	TORNILLO C/ALLEN.6M100X20 VITE SCREW	SCHRAUBE VIS	1234567 89ABCD	
05A		00012081621	TORNILLO 8M125X16 VITE SCREW	SCHRAUBE VIS	1234567 89ABCD	
06A		00402080001	ARANDELA D8 RONDELLA WASHER	SCHEIBE RONDELLE	1234567 89ABCD	
07A		00023108000	TUERCA AUTOBLOCANTE 8M125 DADO NUT	MUTTER ECROU	1234567 89ABCD	
08A		00H01800402	PROTECTOR SILENCIADOR PROTEZIONE SILENZIATORE SILENCER SHIELD	SCHALLDAEMPFRSCHUTZ PROTECT.SIL.	1234567 89ABCD	
09A		00004061600	TORNILLO C/ALLEN 6M100X16 VITE SCREW	SCHRAUBE VIS	1234567 89ABCD	
10A		00000033060	ARANDELA PLANA RONDELLA WASHER	SCHEIBE RONDELLE	1234567 89ABCD	

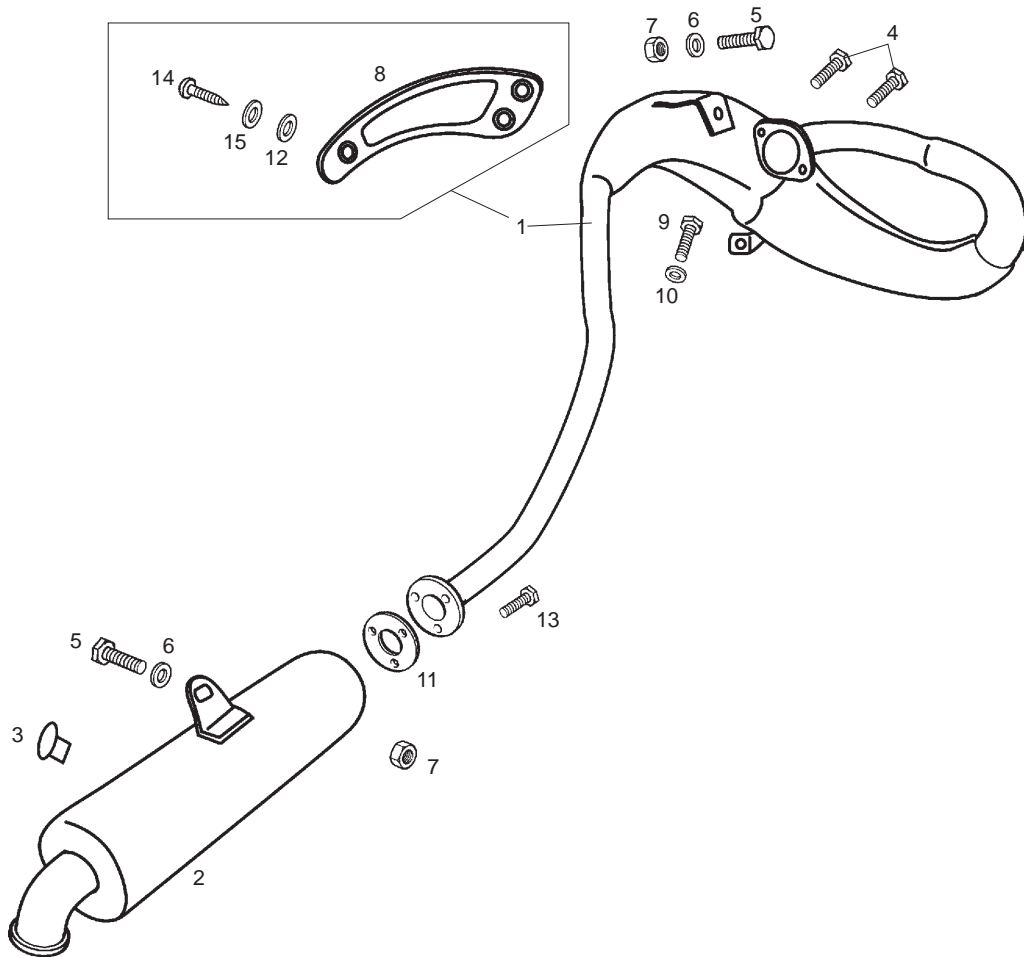


Fig.	Ver.	COD. KOD.	DESCRIPCIÓN DENOMINAZIONE NAME	BEZEICHNUNG DESIGNATION	MOD.	NOTAS NOTES NOTA MITSCHRIFT NOTES
11A		00H03404321	JUNTA GUARNIZIONE GASKET	DICHTUNG JOINT	1234567 89ABCD	
12A		00D02600631	ARANDELA RONDELLA FERMO MOLLA FRIZIONE CLUTCH SPRING STOP WASHER	SCHEIBE ROND.BUTEE RESSORT EMBRAYA.	1234567 89ABCD	
13A		00D05910081	TORNILLO VITE SCREW	SCHRAUBE VIS	1234567 89ABCD	
14A		00000012415	TORNILLO VITE SCREW	SCHRAUBE VIS	1234567 89ABCD	
15A		00F04201361	REMACHE RIBADITURA RIVET	RIVET RIVET	1234567 89ABCD	

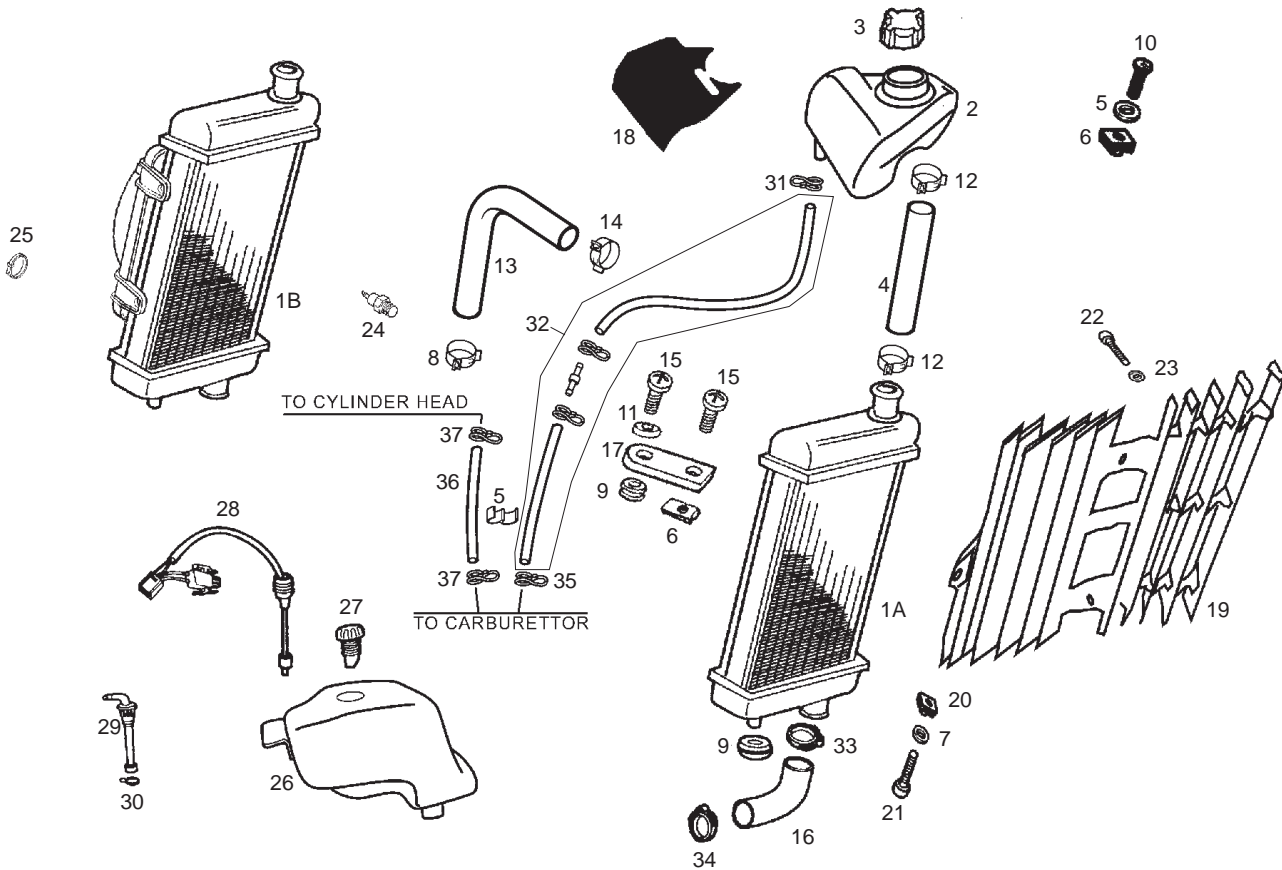


Fig.	Ver.	COD. KOD.	DESCRIPCIÓN DENOMINAZIONE NAME	BEZEICHNUNG DESIGNATION	MOD.	NOTAS NOTES NOTA MITSCHRIFT NOTES
01A		00H03805011	SCTO. RADIADOR SUBRADIATORE RADIATOR ASSY.	RADIATOR ASSY. RADIATEUR	1 4 7 A D	
01B		00H03802541	CTO. RADIADOR CON ELECTROVENT. SUBRADIATORE RADIATOR ASSY.	RADIATOR ASSY. RADIATEUR	23 56 89 BC	
02A		00H03810501	DEPOSITO AGUA RADIADOR SERBATOIO ACQUA RADIATORE WATER TANK	WASSERBEHALTER VASE DIEXPANSION	12 45 7 8 AB D	
02B		00H03802501	DEPOSITO AGUA RADIADOR SERBATOIO ACQUA RADIATORE WATER TANK	WASSERBEHALTER VASE DIEXPANSION	3 6 9 C	
03A		00H03802472	CTO. TAPON DEPOSITO AGUA TAPPO RADIATORE/SERBATOIO WATER RESERVOIR/RAD CAP ASSY	KUEHLERDECKEL BOUCHON DE RESERVOIR D,EAU	1234567 89ABCD	
04A		00G03800601	TUBO BOCA ENTRADA AGUA-RADIADOR TUBO TUBE	SCHLAUCH TUYAU	1234567 89ABCD	
05A		00H03805091	BRIDA FIJ. TUBO AGUA CARBURADOR FLANGIA CLAMP	SHELLE COLLIER	12 45 7 8 AB D	
06A		00D01501371	TUERCA FIJACION D6 DADO NUT	MUTTER ECROU	1234567 89ABCD	
07A		00000031050	ARANDELA PLANA D5 RONDELLA WASHER	SCHEIBE RONDELLE	1234567 89ABCD	
08A		00H03802751	ABRAZADERA 24/8W4 FASCETTA CLAMP	BEF. SCHELLE COLLIER	1234567 89ABCD	
09A		00008915020	PROTECCION CABLES PROTEZIONE CAVI RUBBER,CABLE PROTECTOR	GUMMI PASSE-CABLE	1234567 89ABCD	

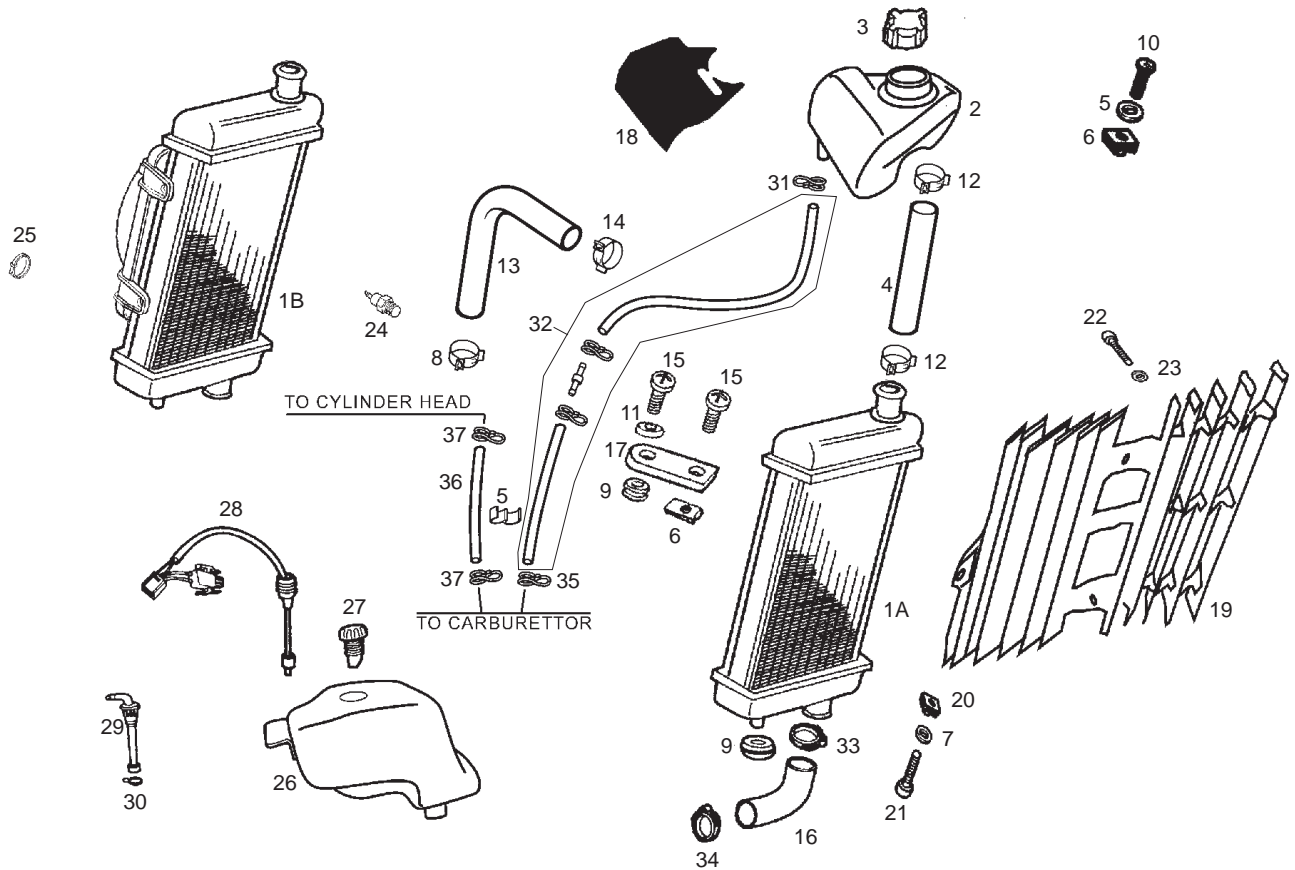


Fig.	Ver.	COD. KOD.	DESCRIPCIÓN DENOMINAZIONE NAME	BEZEICHNUNG DESIGNATION	MOD.	NOTAS NOTES NOTA MITSCHRIFT NOTES
10A		00012161600	TORNILLO C/CRUZ.NG.6M100X16 VITE SCREW	SCHRAUBE VIS	1234567 89ABCD	
11A		00D01500552	CAZOLETA SCADELLINO FISSAGGIO HOUSING EXHAUST PIPE SUPPORT	ABDECKSCHEIBE CUVETTE	1234567 89ABCD	
12A		00G03801701	ABRAZADERA FASCETTA FISSAGGIO MANICA RADI CLAMP FASTERING RADIATOR BUSHI	OIL TANK FLANGE TUBE BRIDE TUBE RESPIRATION RÏSERVO	1234567 89ABCD	
13A		00H03808021	TUBO CULATA-RADIADOR TUBO TESTATA-RACCORDO TERMOCON CYLINDER HEAD PIPE-TERMOCONTAC	WASSERSCHLAUCH TUBE	1234567 89ABCD	
14A		00H03800751	ABRAZADERA 21/8W4 FLANGIA FISSAGGIO SECURING CLAMP	BEF.-SHELLE COLLIER	1234567 89ABCD	
15A		00092061214	TORNILLO C/RED CRUZ 6M100X12 VITE SCREW	SCHRAUBE VIS	1234567 89ABCD	
16A		00H03802031	TUBO BOMBA-RADIADOR TUBO REFRIGERAZIONE POMPA-RADI RADIATOR PUMP RUBBER TUBE	KUHLMITTELSCHLAUCH PUMPE K TUBE POMPE-RADIATEUR	1234567 89ABCD	
17A		00G02200692	OREJA SUP.SOPORTE RADIADOR PIASTRA SUPPORTO SUPERIORE UPPER RADIATOR SUPPORT	OESE KUEHLERBLOCK OREILLE SUPERIEURE SUPPORT RAD	1234567 89ABCD	
18A		00H03801711	CALCA DEPOSITO AGUA ADESIVO DECAL	SCHRIFTZUG ADHESIF	1234567 89ABCD	
19A		00H03805301	REJILLA RADIADOR GRIGLIA RADIATORE RADIATOR GRID	RADIATOR RADIATEUR	1234567 89ABCD	
20A		00G04401462	TUERCA FIJACION D5 DADO NUT	MUTTER ECROU	1234567 89ABCD	

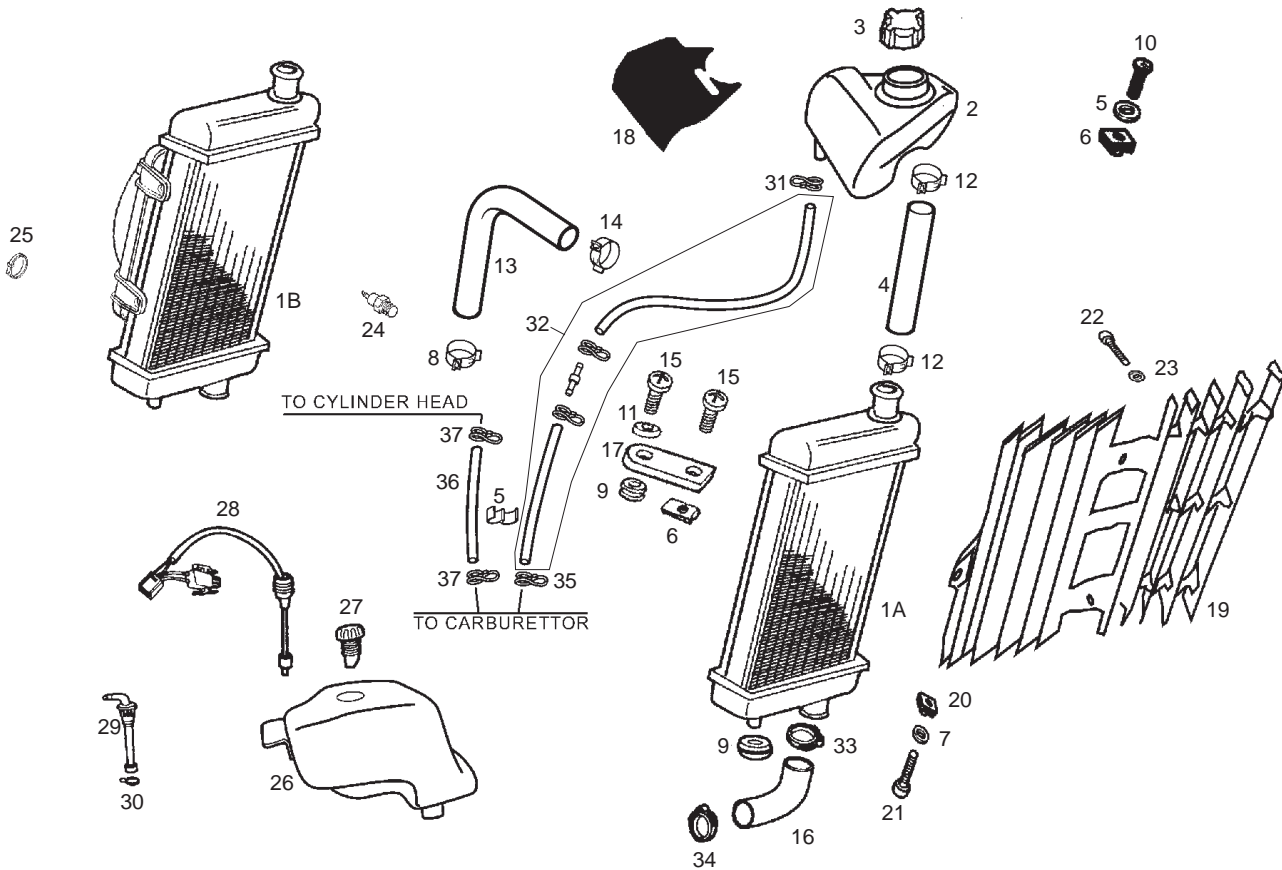


Fig.	Ver.	COD. KOD.	DESCRIPCIÓN DENOMINAZIONE NAME	BEZEICHNUNG DESIGNATION	MOD.	NOTAS NOTES NOTA MITSCHRIFT NOTES
21A		00012151500	TORNILLO C/RED.ALLEN.5M100X16 VITE SCREW	SCHRAUBE VIS	1234567 89ABCD	
22A		00011141300	TORNILLO AUT.C/CR.NG.4,8X13 VITE SCREW	SCHRAUBE VIS	1234567 89ABCD	
23A		00D02600631	ARANDELA RONDELLA WASHER	SCHEIBE RONDELLE	1234567 89ABCD	
24A		00G03800741	TERMOCONTACTO ELECTROVENTILADOR TERMOCONTATTO ELETTRVENTOLA THERMOCONTACT ELECTROVENTILATO	THEMPERATURFUHLER THERMOCONTACTEUR	23 56 89 BC	
25A		00A00900531	BRIDA FLANGIA UNIONE CAVI BLACK CABLE TIE	KABELBINDER COLLIER	23 56 89 BC	
26A		00H03704081	SCTO.DEPOSITO ACEITE SUBSERBATOIO OLIO SE OIL, TANK	OILTANK RESERVOIR D,HUILE	1234567 89ABCD	
27A		00F03710241	CTO.TAPON DEPOSITO ACEITE TAPPO SERBATOIO OLIO OIL RESERVOIR FILLER PLUG ASSY	STOPFEN OELTANK ENS. BOUCHON RESERV.HUILE S	1234567 89ABCD	
28A		00H03703051	CTO. INDICADOR NIVEL ACEITE TAPPO SERBATOIO OLIO OIL RESERVOIR FILLER PLUG ASSY	OLSTANDSGEBER NIVEAU D#HUILE	1234567 89ABCD	
29A		00H03701411	CTO.FILTRO ACEITE. FILTRO OLIO BY-PAS OIL FILTER	FILTER FILTRE A HUILLE	1234567 89ABCD	
30A		00G00400501	ABRAZADERA FIJACION GRIFO FASCETTA ELASTICA CLAMP	BEF.-SCHELLE ENTRETOISE	1234567 89ABCD	
31A		00D03700131	ABRAZADERA ELASTICA 9,8-10,4 FASCETTA CLAMP	FLANGE BRIDE	12 45 7 8 AB D	

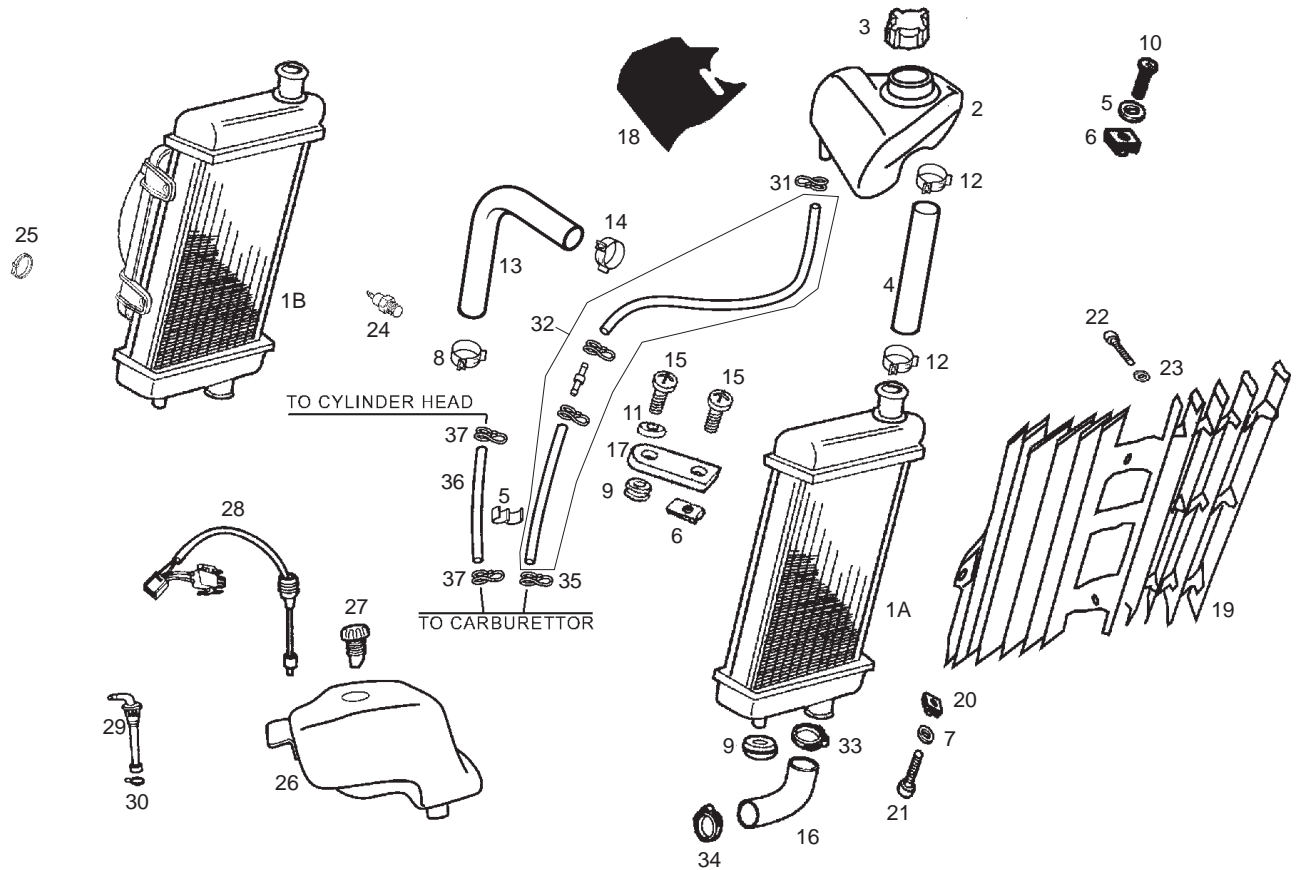


Fig.	Ver.	COD. KOD.	DESCRIPCIÓN DENOMINAZIONE NAME	BEZEICHNUNG DESIGNATION	MOD.	NOTAS NOTES NOTA MITSCHRIFT NOTES
32A		00H03804971	SCTO TUBO DEPOSITO EXP-CARB. TUBO TUBE	SCHLAUCH TUYAU	12 45 7 8 AB D	
33A		00H03800751	ABRAZADERA 21/8 W4 FASCETTA CLAMP	BEF. SCHELLE COLLIER	1234567 89ABCD	
34A		00H03802091	ABRAZADERA 23/8 W4 FASCETTA CLAMP	BEF. SCHELLE COLLIER	1234567 89ABCD	
35A		00H00400501	ABRAZADERA ELASTICA 7,8-8,3 FASCETTA CLAMP	FLANGE BRIDE	12 45 7 8 AB D	
36A		00H03801961	TUBO CARBURADOR A RACORD CULATA TUBO TUBE	SCHLAUCH TUYAU	12 45 7 8 AB D	
37A		00H00400501	ABRAZADERA ELASTICA 7,8-8,3 FASCETTA CLAMP	FLANGE BRIDE	12 45 7 8 AB D	

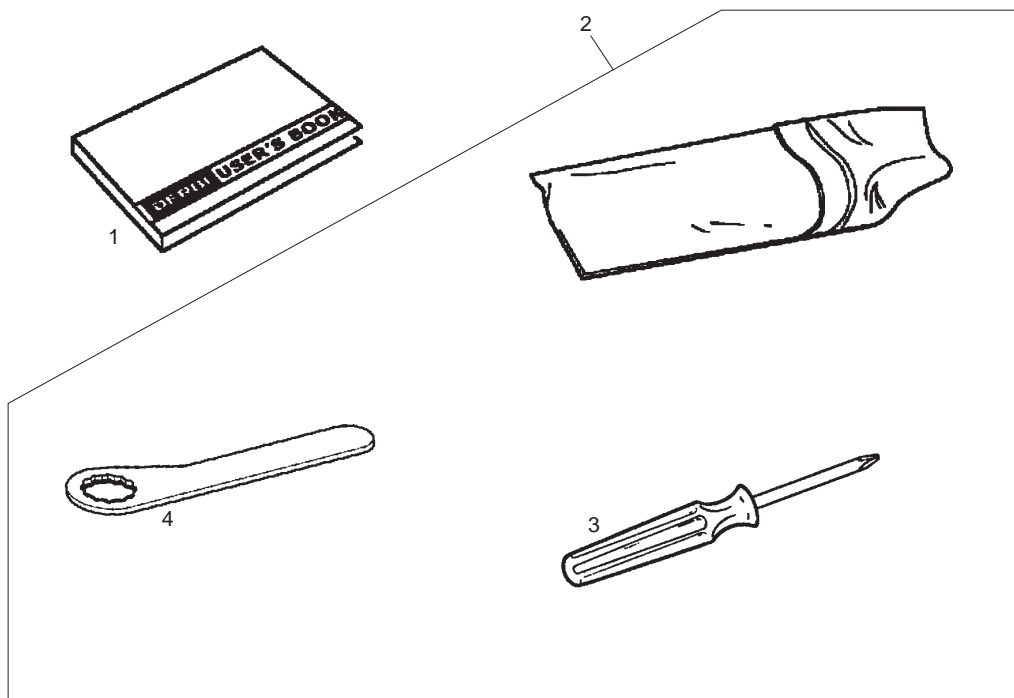


Fig.	Ver.	COD. KOD.	DESCRIPCIÓN DENOMINAZIONE NAME	BEZEICHNUNG DESIGNATION	MOD.	NOTAS NOTES NOTA MITSCHRIFT NOTES
01A		00H05160121	MANUAL INSTRUCCIONES LIBRETTI DI ISTRUZIONI USER'S BOOK	BEDIENUNGSANLEITUNG MANUEL D'INSTRUCTIONS	12 45 7 8 AB D	
01B		861781	MANUAL INSTRUCCIONES LIBRETTI DI ISTRUZIONI USER'S BOOK	BEDIENUNGSANLEITUNG MANUEL D'INSTRUCTIONS	3 6 9 C	
02A		00H05101561	CTO.BOLSA HERRTAS. SACCO FERRI TOOL POUCH	WERKZEUGTASCHE TROUSSE A OUTILS	1234567 89ABCD	
03A		00005551290	DESTORNILLADOR. CACCIAVITE SCREW DRIVER	SCHRAUBENZIEHER TOURNEVIS	1234567 89ABCD	
04A		00H05101011	SCTO.LLAVE BUJIA SUBCHIAVE CANDELA SE SPARK PLUG	ZUND KERZENSCHLUSSEL CLE A BOUGIE	1234567 89ABCD	

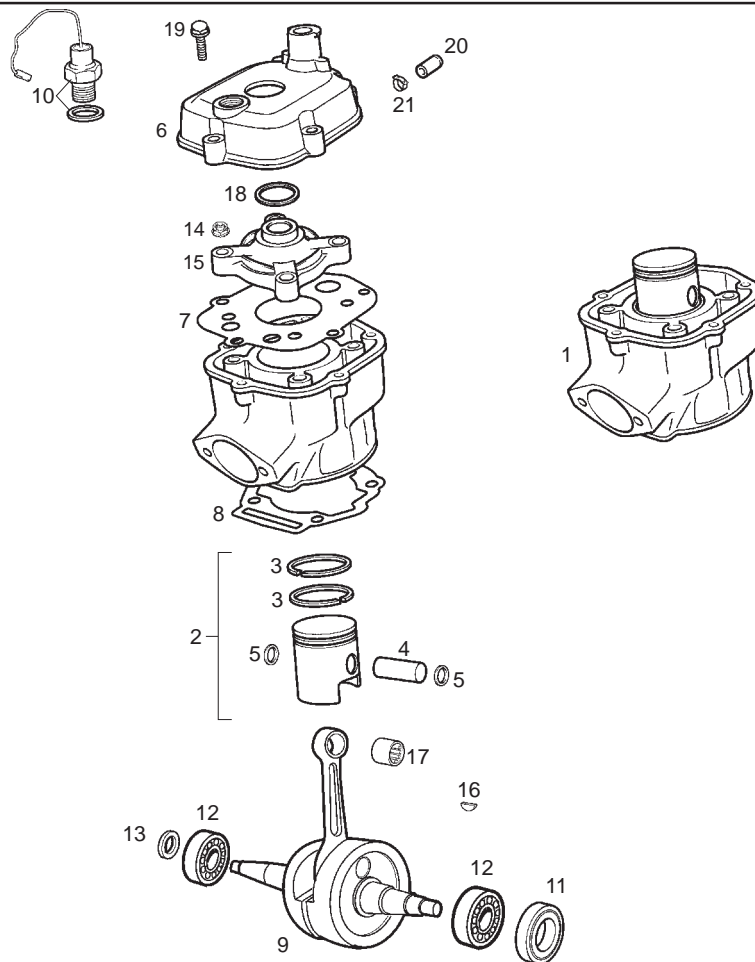


Fig.	Ver.	COD. KOD.	DESCRIPCIÓN DENOMINAZIONE NAME	BEZEICHUNG DESIGNATION	MOD.	NOTAS NOTES NOTA MITSCHRIFT NOTES
01A		847508	R-CTO CILINDRO PISTON COMP.CILINDRO PISTONE CYLINDER PISTON ASSEMBLY	ZYLINDER UND KOLBEN CYLINDRE ET PISTON COMPLET	1 2 3 4 5 6 7 8 9 ABCD	
02A		8472625001	CTO. PISTON (A) PISTONE (A) PISTON (A)	KOLBEN KOMPL. (A) PISTON-COMPLET (A)	1 2 3 4 5 6 7 8 9 ABCD	
02B		8472625002	CTO. PISTON (B) PISTONE (B) PISTON (B)	KOLBEN KOMPL. (B) PISTON-COMPLET (B)	1 2 3 4 5 6 7 8 9 ABCD	
02C		8472625003	CTO. PISTON (C) PISTONE (C) PISTON (C)	KOLBEN KOMPL. (C) PISTON-COMPLET (C)	1 2 3 4 5 6 7 8 9 ABCD	
02D		8472625004	CTO. PISTON (D) PISTONE (D) PISTON (D)	KOLBEN KOMPL. (D) PISTON-COMPLET (D)	1 2 3 4 5 6 7 8 9 ABCD	
03A		847006	R-ARO PISTON.SENDA R-SEGMENTO PISTONE PISTON RING	KOLBENDICHTRING SEGMENT DE PISTON	1 2 3 4 5 6 7 8 9 ABCD	
04A		847012	R-BULON PISTON SPINOTTO PISTONE PISTON PIN	KOLBENBOLZEN AXE PISTON	1 2 3 4 5 6 7 8 9 ABCD	
05A		847178	R-ANILLO BULON R-SEGMENTO SPINOTTO CIRCLIP, PISTON PIN	SICHERUNGSRING CLIPS AXE PISTON	1 2 3 4 5 6 7 8 9 ABCD	
06A		CM151902	SCTO.TAPA CULATIN COPERCHIO TESTA CYLINDER HEAD COVER	ZYLINDERKOPF DECKEL COUVERCLE CULASSE	1 2 3 4 5 6 7 8 9 ABCD	
07A		847009	JUNTA CULATA CILINDRO GUARNIZIONE TESTA GASKET CYLINDER HEAD	ZYLINDERKOPFDICHTUNG JOINT DE CULASSE	1 2 3 4 5 6 7 8 9 ABCD	
08A		847014	JUNTA CILINDRO GUARNIZIONE CILINDRO GASKET, CYLINDER	ZYLINDERPUBDICHTUNG JOINT DE CYLINDRE	1 2 3 4 5 6 7 8 9 ABCD	

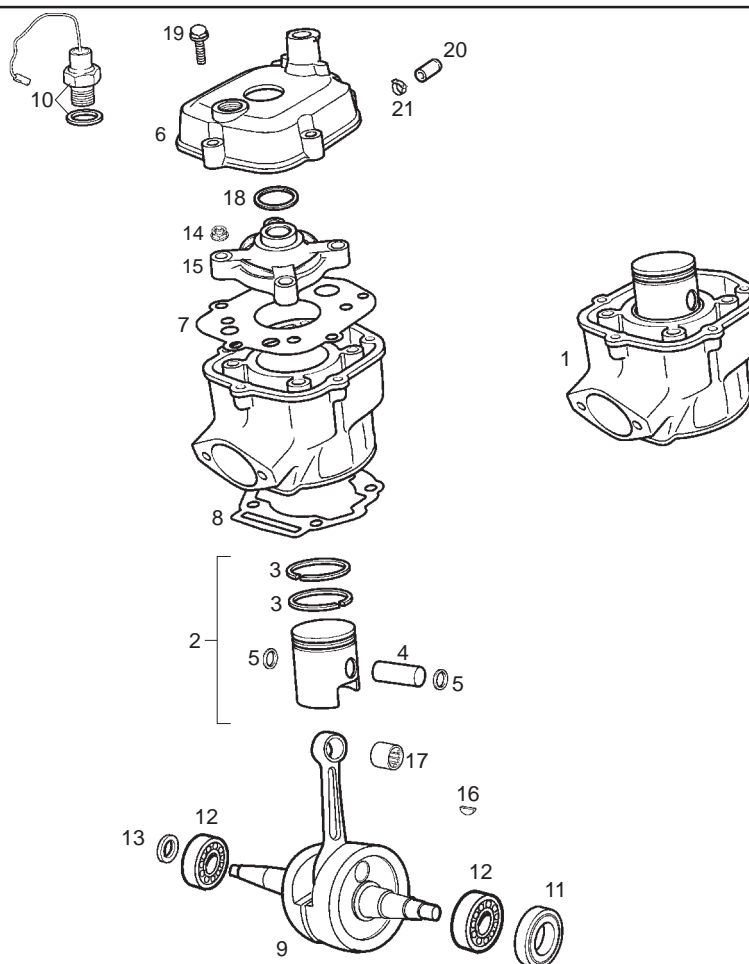


Fig.	Ver.	COD. KOD.	DESCRIPCIÓN DENOMINAZIONE NAME	BEZEICHNUNG DESIGNATION	MOD.	NOTAS NOTES NOTA MITSCHRIFT NOTES
09A		847026	CTO CIGÜEÑAL-BIELA ALBERO MOTORE CRANK SHAFT ROD	KURBELWELLE VILBREQUIN COMPLET	1234567 89ABCD	
10A		847010	TERMOCONTACTO TERMOCONTATTO TERMOCONTACT	THERMOKONTAKT TERMOCONTATTO	1234567 89ABCD	
11A		847020	RETEN CIGÜEÑAL GIUNTO TENUTA SEAL	DICHTRING JOINT	1234567 89ABCD	
12A		847172	COJINETE CUSCINETTO BEARING	LAGER COUSSINET	1234567 89ABCD	
13A		847020	RETEN CIGÜEÑAL GIUNTO TENUTA SEAL	DICHTRING JOINT	1234567 89ABCD	
14A		436947	TUERCA EXAGONAL C/BRIDA 7M100 DADO NUT	MUTTER ECROU	1234567 89ABCD	
15A		847008	CULATIN TESTA CYLINDER HEAD	ZYLINDERKOPF CULASSE	1234567 89ABCD	
16A		847215	CHAVETA VOLANTE MAGNETICO SPINA KEY	KEIL CLAVETTE	1234567 89ABCD	
17A		847529	JAULA PIE BIELA GABBIA PIEDE BIELLA BEARING, PISTON PIN	NADELLAGER CAGE A AIGUILLE DE PIED DE	1234567 89ABCD	
18A		847007	JUNTA TORICA CULATIN GUARNIZIONE TESTA GASKET CYLINDER HEAD	ZYLINDERKOPFDICHTUNG JOINT DE CULASSE	1234567 89ABCD	
19A		CM149804	TORNILLO FIJACION TAPA 6X25 VITE SCREW	SCHRAUBE VIS	1234567 89ABCD	

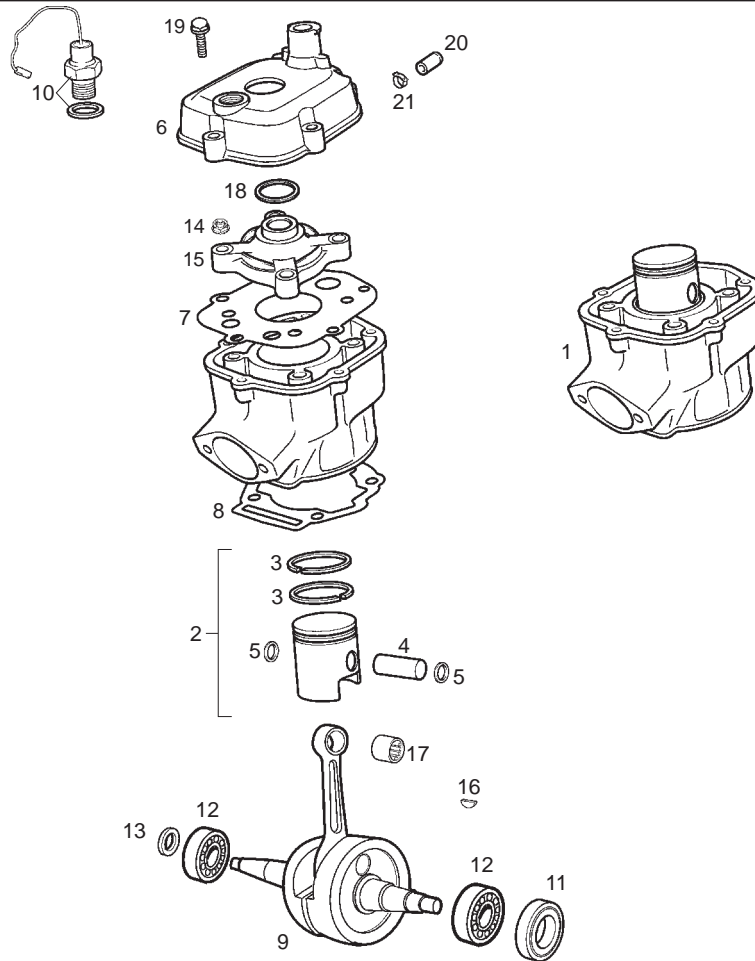


Fig.	Ver.	COD. KOD.	DESCRIPCIÓN DENOMINAZIONE NAME	BEZEICHNUNG DESIGNATION	MOD.	NOTAS NOTES NOTA MITSCHRIFT NOTES
20A		00H05001411	TAPON RACORD CULATA TAPO CAP	KAPPE BOUCHON	3 6 9 C	
21A		00F03700131	ABRAZADERA 6,5-7,5 FASCETTA CLAMP	FLANGE BRIDE	3 6 9 C	

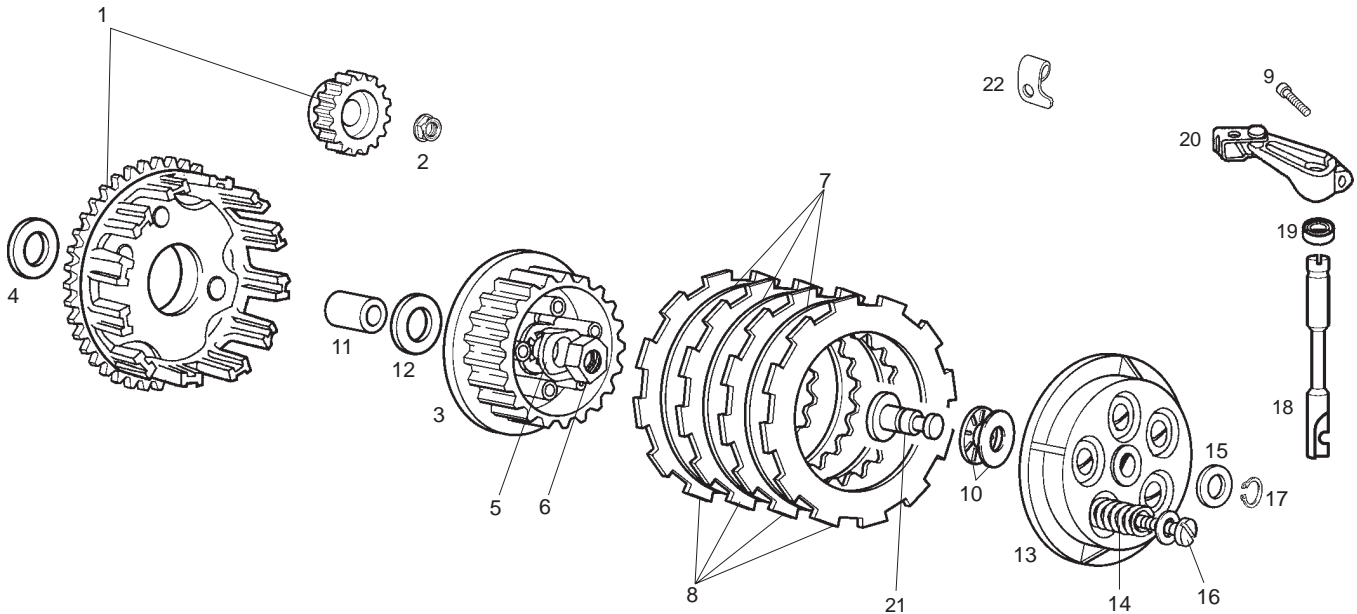


Fig.	Ver.	COD. KOD.	DESCRIPCIÓN DENOMINAZIONE NAME	BEZEICHNUNG DESIGNATION	MOD.	NOTAS NOTES NOTA MITSCHRIFT NOTES
01A		847098	CTO. RUEDA AMORT. EMBRAGUE R-RUOTA FRIZIONE CLUTCH HOUSING AND DAMPER	KUPPLUNGSRAD CLOCHE EMBRAYAGE AVEC PIGNO	1234567 89ABCD	
02A		847217	TUERCA C/BASE 10M100 DADO NUT	MUTTER ECROU	1234567 89ABCD	
03A		847045	CAMPANA CONDUCIDA CAMPANA GUIDATA CLUTCH HUB.	GLOCKE TAMBOUR EMBRAYAGE	1234567 89ABCD	
04A		847218	ARANDELA PROTEC.INT.BUJE EMBRAG. RONDELLA WASHER	SCHEIBE RONDELLE	1234567 89ABCD	
05A		847220	PRECTO.TCA.EMBRG. PIASTRINA DADO FRIZIONE WASHER, RETAINING	SICHERUNG FREIN DIECROU DI EMBRAYAGE	1234567 89ABCD	
06A		847221	TUERCA EMBRAGUE DADO NUT	MUTTER ECROU	1234567 89ABCD	
07A		847043	DISCO CONDUCIDO DISCO GUIDATO DRIVEN CLUTCH PLATE	SCHEIBE DISQUE EMBRAYAGE LISSE	1234567 89ABCD	
08A		847044	SCTO.DISCO CONDUCTOR SUBDISCO GUIDA CLUTCH PLATE	KUPPLUNGSRELAG DISQUE EMBRAYAGE GARNI	1234567 89ABCD	
09A		847179	TORNILLO 6M100X20 VITE SCREW	SCHRAUBE VIS	1234567 89ABCD	
10A		82835R	RODAMTO.AXIAL CREMALL.EMBRG. CUSCINETTO SFERE RADIALE CREMA BALL BEARING	LAGER ROULEMENT AXIAL	1234567 89ABCD	
11A		847040	CASQUILLO BUJE EMBRAGUE GHIERA BRONZINA FRIZIONE BUSHING	FUHRUNGSBUCHSE GABELSCHENK ENTRETOISE	1234567 89ABCD	

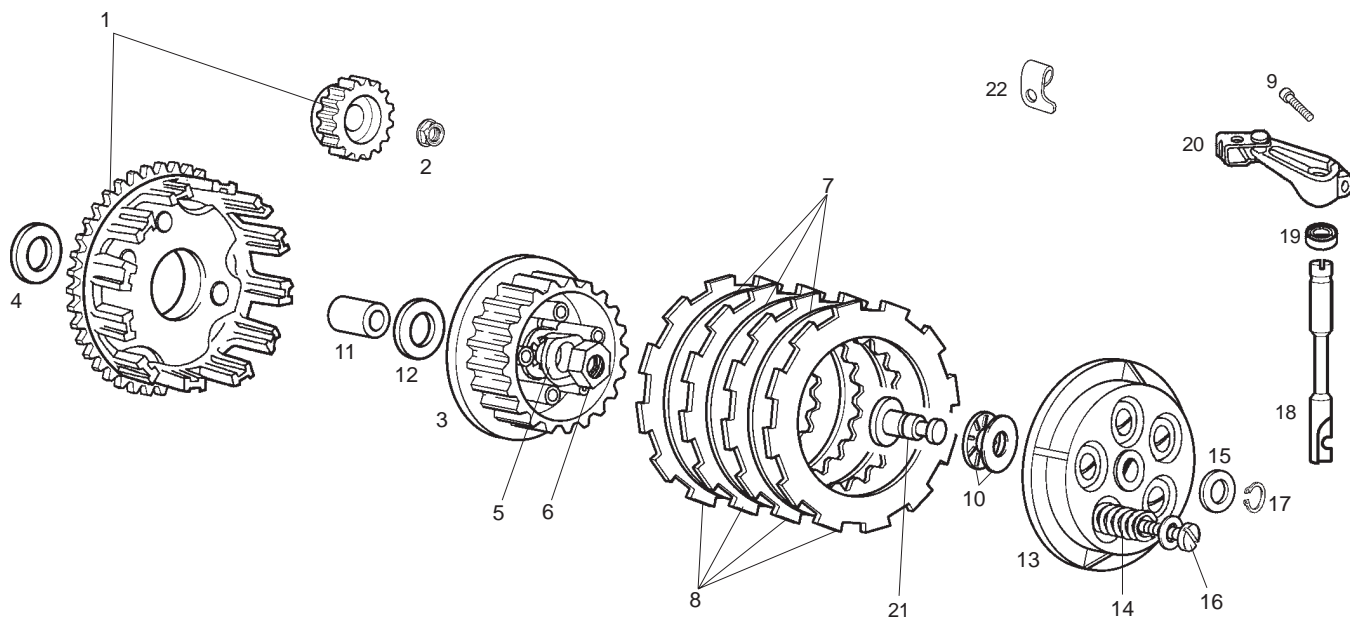


Fig.	Ver.	COD. KOD.	DESCRIPCIÓN DENOMINAZIONE NAME	BEZEICHNUNG DESIGNATION	MOD.	NOTAS NOTES NOTA MITSCHRIFT NOTES
12A		847042	ARANDELA ROZAMTO.CAMPANA. RONDELLA WASHER	SCHEIBE RONDELLE	1 2 3 4 5 6 7 8 9 ABCD	
13A		847046	TAPA CIERRE EMBRAG COPERCHIO CHIUSURA FRIZIONE G. OUTER CLUTCH PLATE	KUPPLINGS-VERSCHLUSSDECKEL PLATEAU EXTERIEUR D,EMBRAYA	1 2 3 4 5 6 7 8 9 ABCD	
14A		847047	MUELLE REGULAC. EMBRAGUE MOLLA REGOLAZIONE FRIZIONE CLUTCH SPRING	STELLFEDER RESORT REGLAGE	1 2 3 4 5 6 7 8 9 ABCD	
15A		847224	ARANDELA TOPE PIÑON INTERMD. RONDELLA WASHER	SCHEIBE RONDELLE	1 2 3 4 5 6 7 8 9 ABCD	
16A		847048	SCTO. TORNILLO 5M80X35 VITE SCREW	SCHRAUBE VIS	1 2 3 4 5 6 7 8 9 ABCD	
17A		847225	ANILLO SEGURIDAD ANELLO SICUREZZA CIRCLIP	SEEGERRING CIRCLIP	1 2 3 4 5 6 7 8 9 ABCD	
18A		847083	EJE DESEMBRAGUE ASSE DISINNESCO FRIZIONE CLUTCH SHAFT	KUPPLUNGSACHSE AXE	1 2 3 4 5 6 7 8 9 ABCD	
19A		847075	RETEN EJE MANDO GIUNTO TENUTA SEAL	DICHTRING JOINT	1 2 3 4 5 6 7 8 9 ABCD	
20A		CM151201	SCTO.PALANCA DESEMBRAGUE SUBLEVA DISINNESCO F CLUTCH LEVER	KUPPLUNGSHEBEL LEVIER EMBRAYAGE	1 2 3 4 5 6 7 8 9 ABCD	
21A		847223	DESPLAZABLE EMBRAGUE ASSE FRIZIONE CLUTCH SHAFT	KUPPLUNGSACHSE AXE	1 2 3 4 5 6 7 8 9 ABCD	
22A		847090	PLACA TENSOR CABLE EMBRAGUE PIASTRINA PLATE	PLATTE PLAQUE	1 2 3 4 5 6 7 8 9 ABCD	

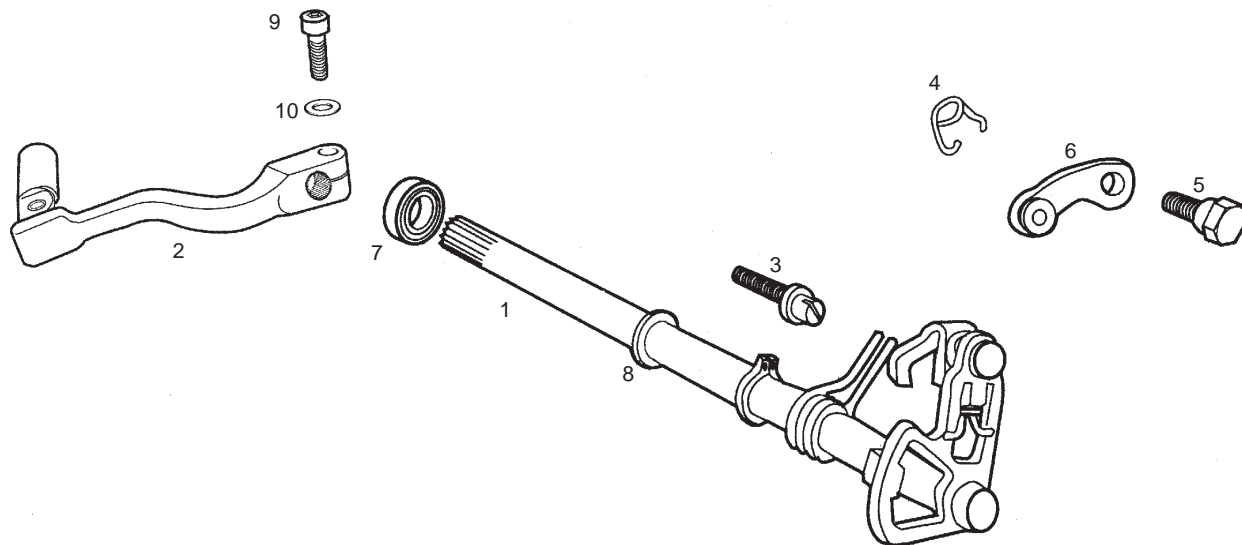


Fig.	Ver.	COD. KOD.	DESCRIPCIÓN DENOMINAZIONE NAME	BEZEICHNUNG DESIGNATION	MOD.	NOTAS NOTES NOTA MITSCHRIFT NOTES
01A		847236	EJE SELECTOR SUBASSE SELETTORE S-ASSY. SELECTOR SHAFT	SCHALTACHSE S-ENSEMBLE AXE SELECTEUR	1234567 89ABCD	
02A		00H02703421	CTO PALANCA CAMBIO LEVA CAMBIO GEARSHIFT ASSY.	GRUPPE GANGSCHALTHEBEL PEDALE DE SELECTEUR	1234567 89ABCD	
03A		847073	ESPARRAGO MUELLE SELECTOR BULLONE MOLLA SELETTORE SCREW, SELECTOR SPRING ADJ.	FEDERSTIFT AXE EXCENTRIQUE	1234567 89ABCD	
04A		847069	MUELLE FIJ.MARCHAS. MOLLA FISSAGGIO MARCE GEAR FIXING SPARING	BEF.-FEDER RESSORT	1234567 89ABCD	
05A		847070	TORNILLO GUIA FIJ.MARCHAS VITE SCREW	SCHRAUBE VIS	1234567 89ABCD	
06A		847068	SCTO.PALANCA FIJ.MARCHAS. SUBLEVA FISSAGGIO MA LEVER FIXING GEARS	GANSCHALTHEEEL LEVIER FIXATION PIGNONS	1234567 89ABCD	
07A		847075	RETEN EJE MANDO RICHIAMO ASSE COMANDO SELETTOR OIL SEAL, SELECTOR SHAFT	SIMMERRING JOINT ANTI-FUITE	1234567 89ABCD	
08A		847228	ARANDELA SEGURO TAMBOR RONDELLA WASHER	SCHEIBE RONDELLE	1234567 89ABCD	
09A		00002062511	TORNILLO C/ALLEN 6M100X25 VITE SCREW	SCHRAUBE VIS	1234567 89ABCD	
10A		00442060002	ARANDELA MUELLE D6 RONDELLA WASHER	SCHEIBE RONDELLE	1234567 89ABCD	

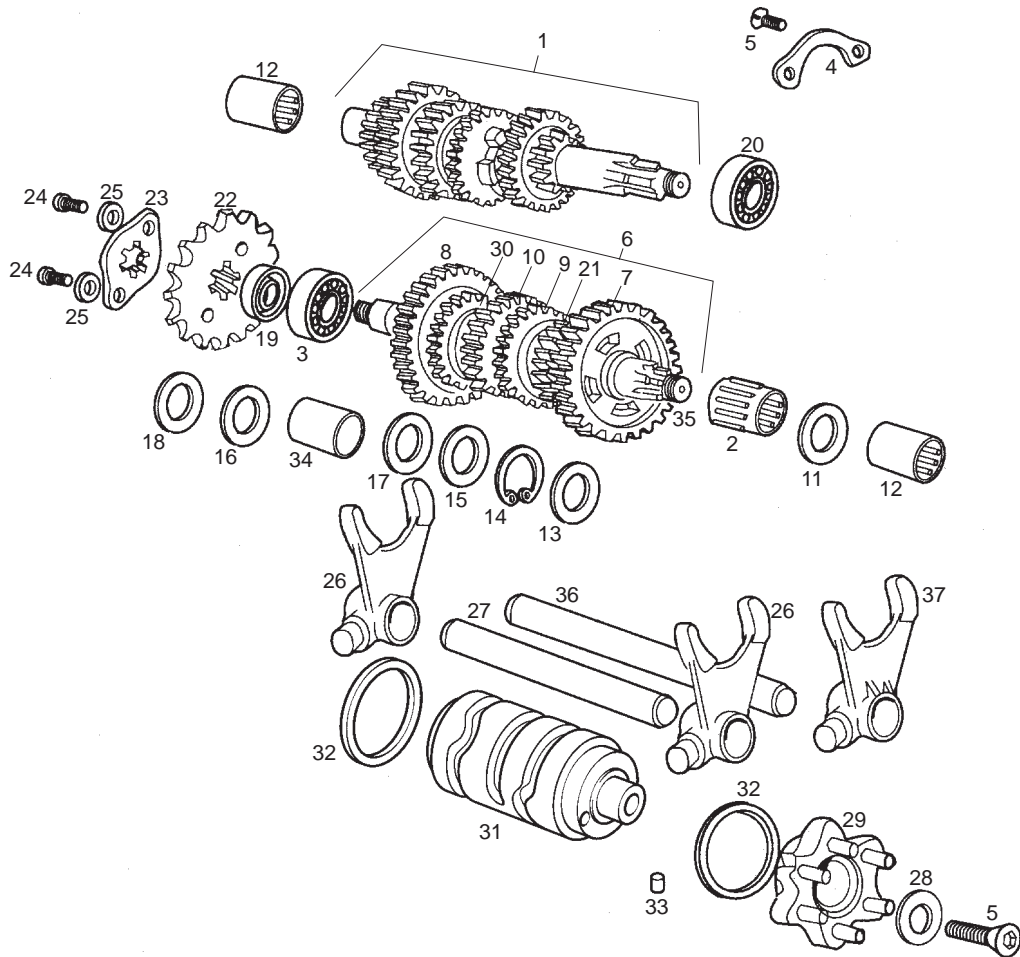


Fig.	Ver.	COD. KOD.	DESCRIPCIÓN DENOMINAZIONE NAME	BEZEICHNUNG DESIGNATION	MOD.	NOTAS NOTES NOTA MITSCHRIFT NOTES
01A		847027	SCTO. EJE PRIMARIO 6V SUBASSE PRIMARIO DRIVE SHAFT.	PRIMARCHSE AXE PRIMAIRE	1 2 3 4 5 6 7 8 9 ABCD	
02A		847544	CORONA AGUJAS PIÑON CORONA RULLINI PIGNONE NEEDLE BEARING	BADELLGER ROULEMENT AIGUILLES	1 2 3 4 5 6 7 8 9 ABCD	
03A		847086	COJINETE CUSCINETTO BEARING	LAGER COUSSINET	1 2 3 4 5 6 7 8 9 ABCD	
04A		847021	PRECINTO COJINETE EJE PRIMARIO PIASTRINA CUSCINETTO ASSE PRIM PLATE POSITION BALL BEARINGS	KUGELLEGERPRIMDRACHSE BUTEE DE ROULEMENT	1 2 3 4 5 6 7 8 9 ABCD	
05A		847210	TORNILLO AV. ALL. 5M80X10 VITE SCREW	SCHRAUBE VIS	1 2 3 4 5 6 7 8 9 ABCD	
06A		847028	CTO. EJE SECUNDARIO 6V ASSE SECONDARIO OUTPUT SHAFT	SEKUNDARACHSE AXE SECONDAIRE MONTE COMPLE	1 2 3 4 5 6 7 8 9 ABCD	
07A		847153	PIÑON SECUNDARIO I Z-34 PIGNONE GEAR	RITZEL PIGNON	1 2 3 4 5 6 7 8 9 ABCD	
08A		847157	PIÑON SECUNDARIO II Z-30 PIGNONE GEAR	RITZEL PIGNON	1 2 3 4 5 6 7 8 9 ABCD	
09A		847155	PIÑON SECUNDARIO III Z-27 PIGNONE GEAR	RITZEL PIGNON	1 2 3 4 5 6 7 8 9 ABCD	
10A		847156	PIÑON SECUNDARIO IV Z-24 PIGNONE GEAR	RITZEL PIGNON	1 2 3 4 5 6 7 8 9 ABCD	
11A		847549	ARANDELA REGLAJE EJE SECUNDARIO RONDELLA WASHER	SCHEIBE RONDELLE	1 2 3 4 5 6 7 8 9 ABCD	

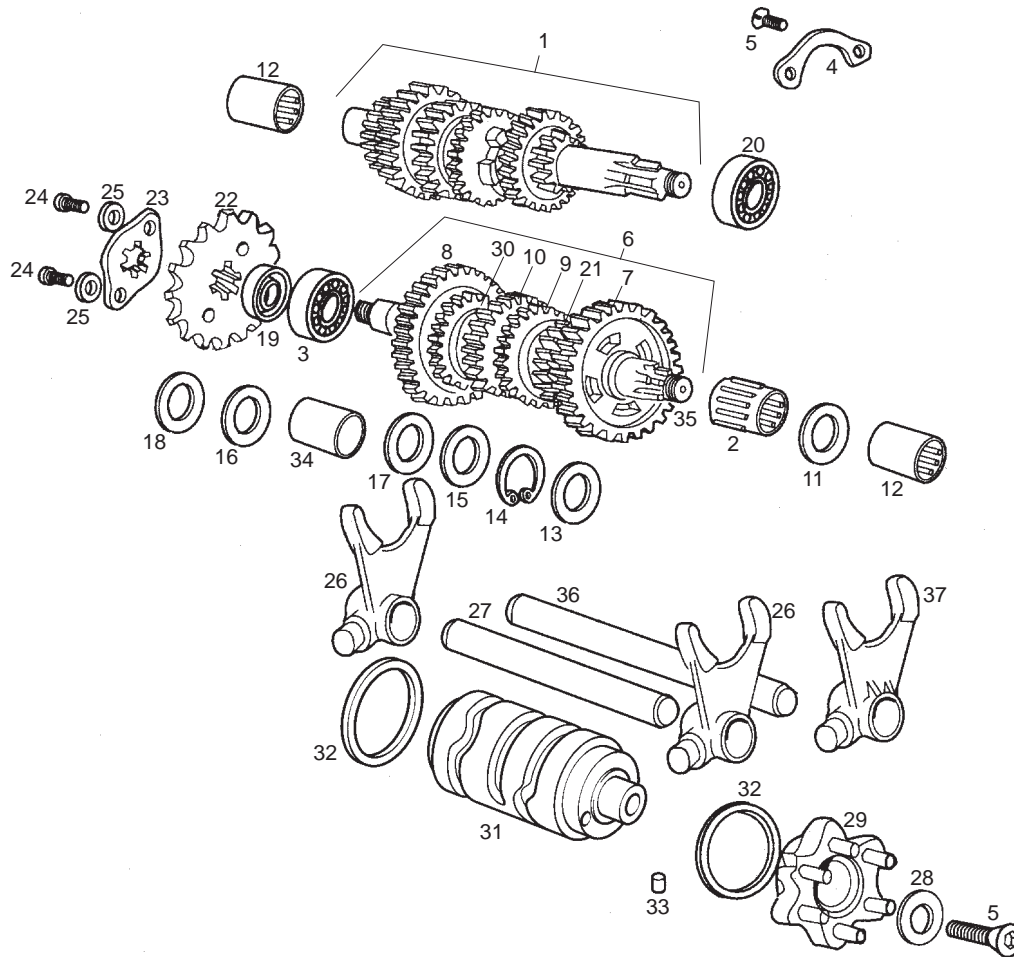


Fig.	Ver.	COD. KOD.	DESCRIPCIÓN DENOMINAZIONE NAME	BEZEICHNUNG DESIGNATION	MOD.	NOTAS NOTES NOTA MITSCHRIFT NOTES
12A		847211	CASQUILLO AGUJAS GHIERA RULLINI NEEDLE BEARING	NADELLGER CAGE A AIGUILLES	1234567 89ABCD	
13A		847550	ARANDELA ROZAMTO.PIÑON SECUND.I RONDELLA WASHER	SCHEIBE RONDELLE	1234567 89ABCD	
14A		847542	ANILLO SEGURIDAD ANELLO SICUREZZA CIRCLIP	SEEGERRING CIRCLIP	1234567 89ABCD	
15A		847548	ARANDELA RONDELLA WASHER	SCHEIBE RONDELLE	1234567 89ABCD	
16A		847541	ARANDELA RONDELLA WASHER	SCHEIBE RONDELLE	1234567 89ABCD	
17A		847546	ARANDELA RONDELLA WASHER	SCHEIBE RONDELLE	1234567 89ABCD	
18A		847545	ARANDELA RONDELLA WASHER	SCHEIBE RONDELLE	1234567 89ABCD	
19A		847019	RETEN.PIÑON SALIDA CAMBIO GIUNTO TENUTA SEAL	DICHTRING JOINT	1234567 89ABCD	
20A		847209	COJINETE CUSCINETTO BEARING	LAGER COUSSINET	1234567 89ABCD	
21A		847154	PIÑON SECUNDARIO V Z-23 PIGNONE GEAR	RITZEL PIGNON	1234567 89ABCD	
22A		00H02813371	PIÑON SALIDA CAMBIO Z-11 PIGNONE GEAR	RITZEL PIGNON	12 45 7 8 AB D	

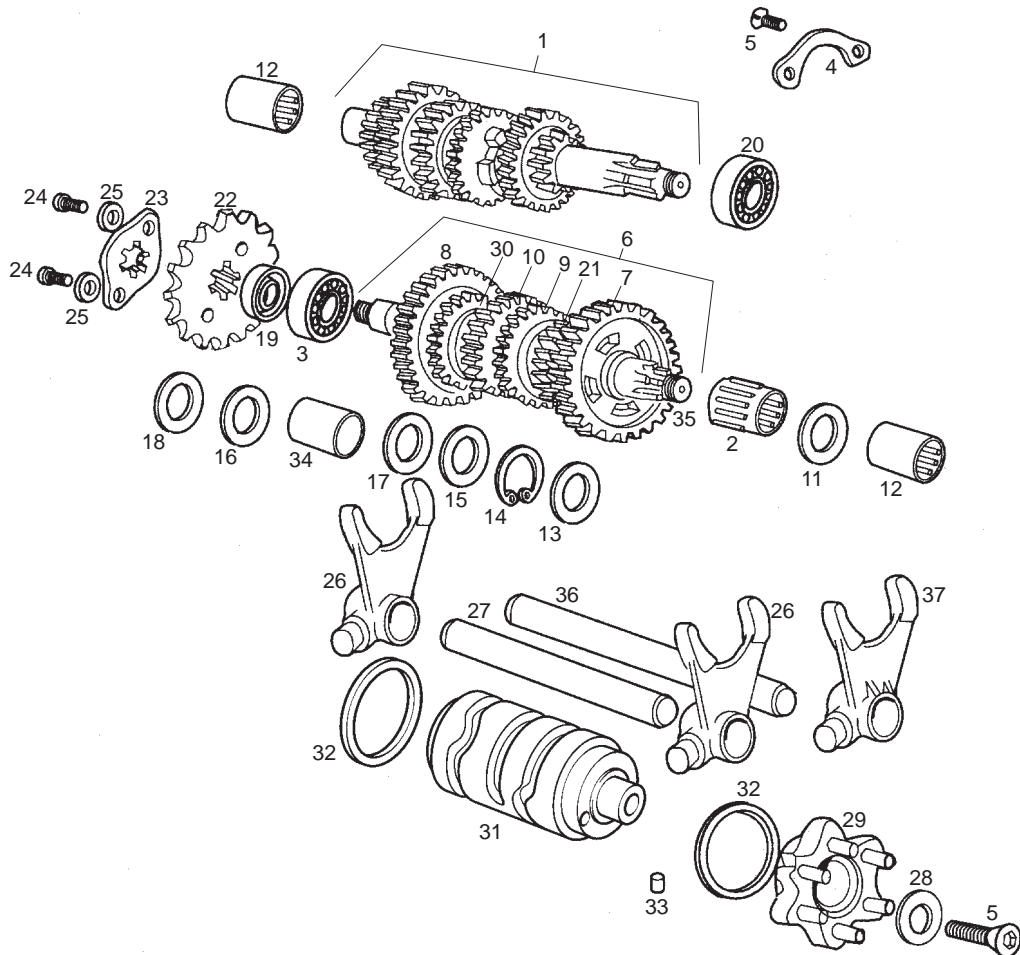


Fig.	Ver.	COD. KOD.	DESCRIPCIÓN DENOMINAZIONE NAME	BEZEICHNUNG DESIGNATION	MOD.	NOTAS NOTES NOTA MITSCHRIFT NOTES
22B		00H02808371	PIÑÓN SALIDA CAMBIO Z-12 PIGNONE GEAR	RITZEL PIGNON	3 6 9 C	
23A		00H02800421	PRECINTO PIÑÓN SALIDA CAMBIO PIASTRINA PIGNONE USCITA CAMBI LOCKWASHER, COUNTERSHAFT SPROK	HALTER RONDELLE DE SECURITE SBV.	12 45 7 8 AB D	
23B		00H02810421	PRECINTO PIÑÓN SALIDA CAMBIO PIASTRINA PIGNONE USCITA CAMBI LOCKWASHER, COUNTERSHAFT SPROK	HALTER RONDELLE DE SECURITE SBV.	3 6 9 C	
24A		00002041050	TORNILLO C/ALLEN 4M70X10 VITE SCREW	SCHRAUBE VIS	12 45 7 8 AB D	
24B		00000004510	TORNILLO C/ALLEN 5M80X10 VITE SCREW	SCHRAUBE VIS	3 6 9 C	
25A		00000033040	ARANDELA MUELLE D4 RONDELLA WASHER	SCHEIBE RONDELLE	12 45 7 8 AB D	
25B		00000034050	ARANDELA ESTRELLA INT D5 RONDELLA WASHER	SCHEIBE RONDELLE	3 6 9 C	
26A		847032	HORQUILLA SECUNDARIA FORCELLA SECONDARIA FORK OUTPUT	SHALTGABEL FOURCHETTE	1234567 89ABCD	
27A		847030	EJE HORQUILLA SECUNDARIA ASSE FORCELLA SECONDARIA SECONDARY FORK SHAFT	GABEL SEKUNDARACHSE AXE	1234567 89ABCD	
28A		847214	ARANDELA PIÑ. CONTR/MAND. TAMBOR RONDELLA WASHER	SCHEIBE RONDELLE	1234567 89ABCD	
29A		847038	CABEZA MANDO TAMBOR. TESTA COMANDO TAMBORO DRUM HEAD	ESTUEWKOPF TETE TAMBOUR SELECTEUR	1234567 89ABCD	

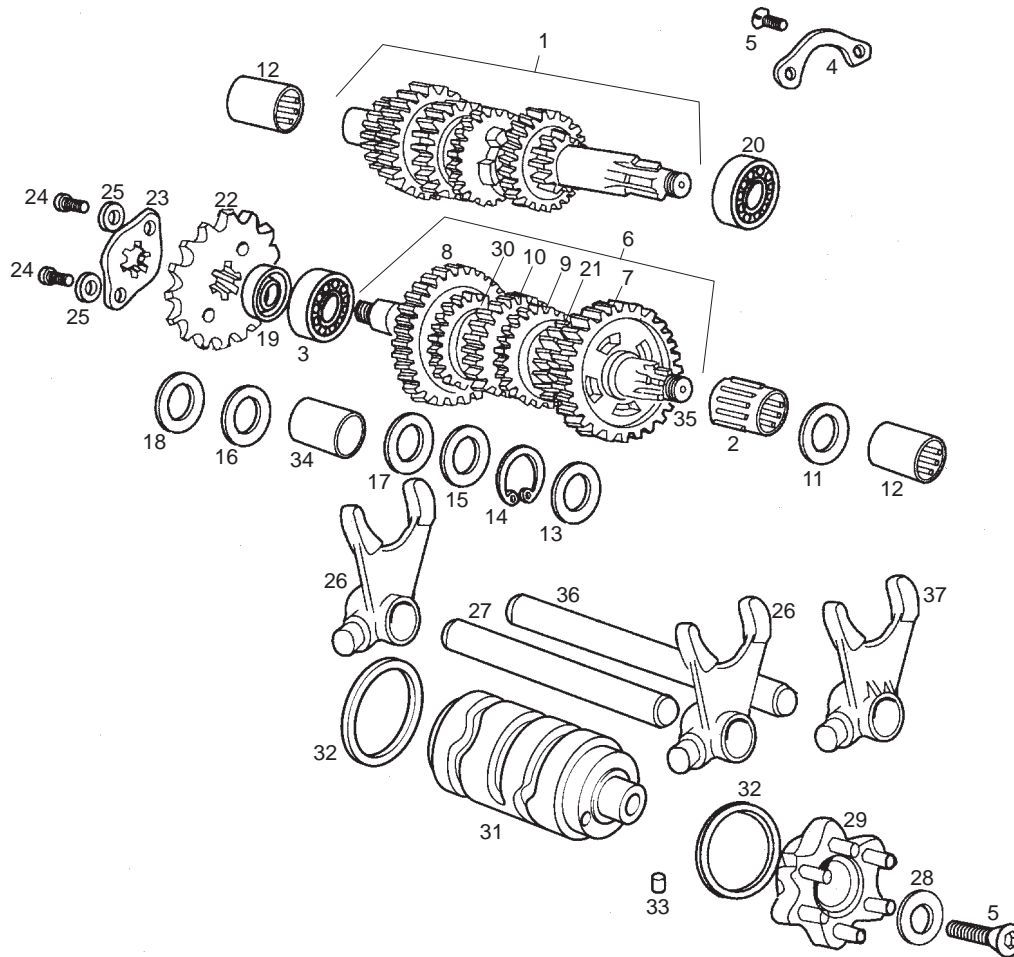


Fig.	Ver.	COD. KOD.	DESCRIPCIÓN DENOMINAZIONE NAME	BEZEICHNUNG DESIGNATION	MOD.	NOTAS NOTES NOTA MITSCHRIFT NOTES
30A		847158	PIÑÓN SECUNDARIO VI Z-22 PIGNONE GEAR	RITZEL PIGNON	1234567 89ABCD	
31A		847081	TAMBOR DISTRIBUIDOR TAMBURO DISTRIBUTORE SHIFT DRUM	VERTEILERTROMMEL BARILLET	1234567 89ABCD	
32A		847036	ARANDELA TAMBOR DISTRIBUIDOR RONDELLA WASHER	SCHEIBE RONDELLE	1234567 89ABCD	
33A		847213	RODILLO.4X6. RULLO ROLLER	WALZE FUR SCHA LTUNG GALETS	1234567 89ABCD	
34A		847547	CASQUILLO PIÑÓN SECUND.II. GHIERA PIGNONE SECONDARIO .II. BUSHING	FUHRUNGSBUCHSE GABELSCHENK ENTRETOISE	1234567 89ABCD	
35A		847159	SCTO EJE SECUNDARIO 6V. ASSE SECONDARIO OUTPUT SHAFT	SEKUNARACHSE AXE SECONDAIRE MONTE COMPLE	1234567 89ABCD	
36A		847029	EJE HORQUILLA PRIMARIA. ASSE FORCELLA PRIMARIA PRIMARY FORK SHAFT	GABEL PRIMARACHSE AXE	1234567 89ABCD	
37A		847031	HORQUILLA PRIMARIA V-VI. FORCELLA PRIMARIA FORK OUTPUT	SHALTGABEL FOURCHETTE	1234567 89ABCD	

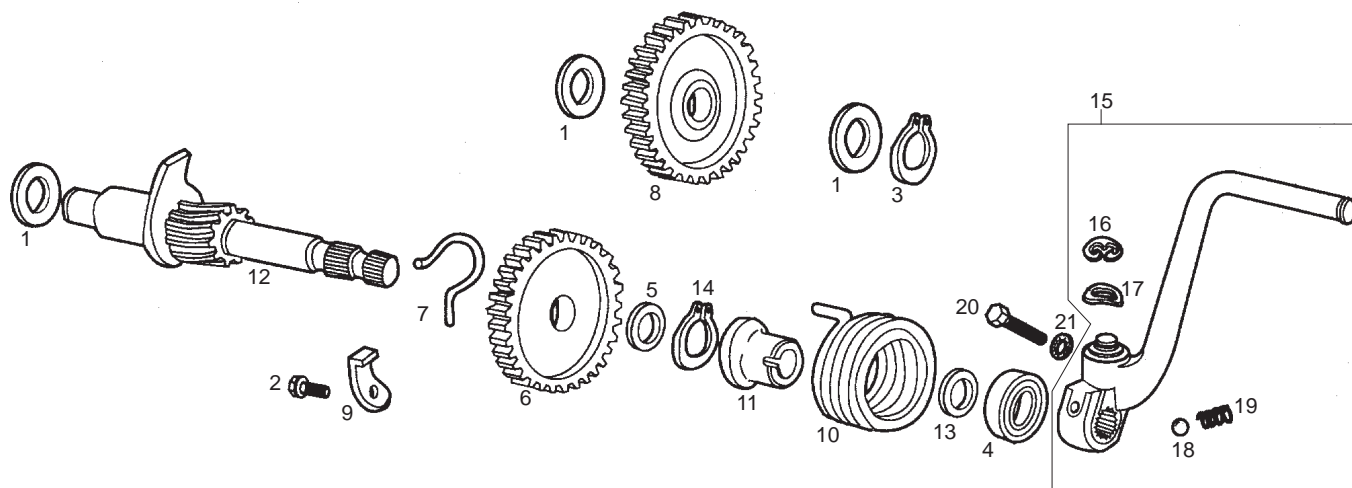


Fig.	Ver.	COD. KOD.	DESCRIPCIÓN DENOMINAZIONE NAME	BEZEICHNUNG DESIGNATION	MOD.	NOTAS NOTES NOTA MITSCHRIFT NOTES
01A		847228	ARANDELA RONDELLA WASHER	SCHEIBE RONDELLE	1234567 89ABCD	
02A		CM149802	TORNILLO FIJ.TOPE ARRANQUE VITE SCREW	SCHRAUBE VIS	1234567 89ABCD	
03A		847229	ANILLO SEGURIDAD D11 ANELLO SICUREZZA CIRCLIP	SEEGERRING CIRCLIP	1234567 89ABCD	
04A		847074	RETEN EJE ARRANQUE GIUNTO TENUTA SEAL	DICHTRING JOINT	1234567 89ABCD	
05A		847232	ARANDELA TOPE PIÑON ARRANQUE RONDELLA WASHER	SCHEIBE RONDELLE	1234567 89ABCD	
06A		847061	PIÑON ARRANQUE Z-29 PIGNONE AVVIAMENTO KICKSTARTER GEAR	ANLAUFTRITZEL ROUE DE MISE EN MARCHÉ	1234567 89ABCD	
07A		847060	MUELLE PIÑON ARR. MOLLA PIGNONE AVVIAMENTO SPRING, ENGAGEMENTE REAR	RITZELFEDER RESSORT DE ROUE DE MISE EN	1234567 89ABCD	
08A		847056	PIÑON INTERMEDIO ARRANQUE PIGNONE INTERMEDIO AVVIAMENTO DRIVING GEAR	ANLAUF-ZWISCHENRITZEL ROUE INTERMEDIAIRE	1234567 89ABCD	
09A		847062	REFUERZO TOPE ARRANQUE RINFORZO FERMO AVVIAMENTO KICKSTARTER LEVER STOP	VERSTARUNG F.ANSCHULAG BUTEE PEDALE DE KICK	1234567 89ABCD	
10A		847057	MUELLE ARRANQUE, MOLLA AVVIAMENTO KICKSTARTER SPRING	ANLAUFFEDER RESSORT DE KICK	1234567 89ABCD	
11A		847058	CAZOLETA.GUIA MUELLE ARRANQUE SCODELLINO GUIDA MOLLA AVVIAME SPRING GUIDE	FUHRUNGSPFANE RAMPE DE KICK	1234567 89ABCD	

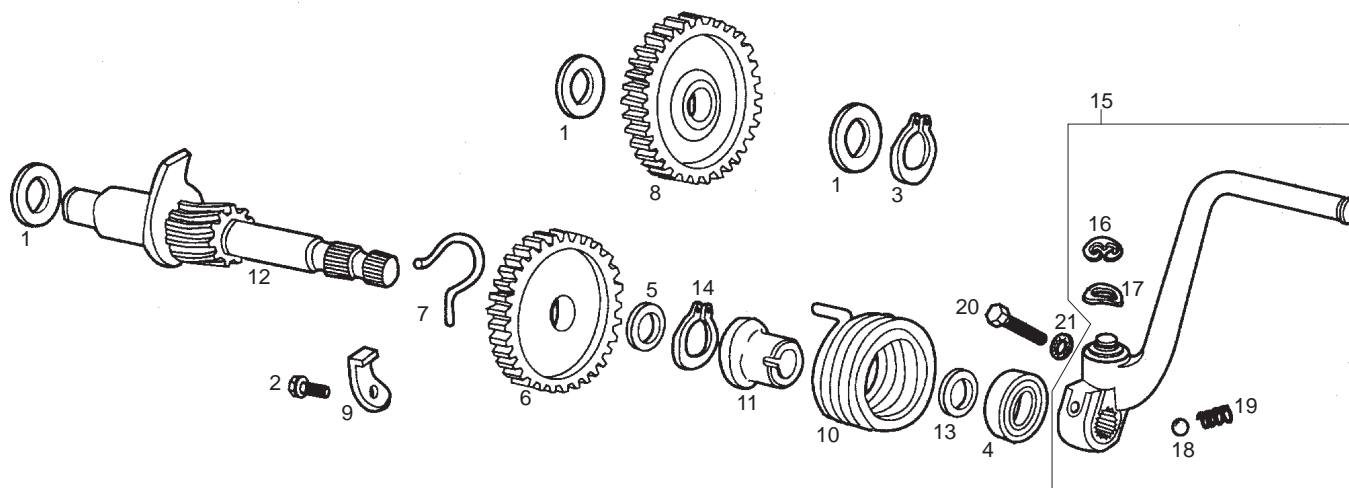


Fig.	Ver.	COD. KOD.	DESCRIPCIÓN DENOMINAZIONE NAME	BEZEICHNUNG DESIGNATION	MOD.	NOTAS NOTES NOTA MITSCHRIFT NOTES
12A		847059	SCTO.EJE ARRANQUE, SUBASSE AVVIAMENTO KICKSTARTER SHAFT	ANLAUFACHSE ARBRE DE KICK	1 2 3 4 5 6 7 8 9 A B C D	
13A		847230	ARANDELA TOPE ARRANQUE RONDELLA WASHER	SCHEIBE RONDELLE	1 2 3 4 5 6 7 8 9 A B C D	
14A		847231	ANILLO SEGURIDAD D22 ANELLO SICUREZZA CIRCLIP	SEEGERRING CIRCLIP	1 2 3 4 5 6 7 8 9 A B C D	
15A		00H02902252	PALANCA ARRANQUE LEVA AVVIAMENTO KICKSTARTER LEVER	KICKSTARTER LEVIER DE KICK	1 2 3 4 5 6 7 8 9 A B C D	
16A		00047030900	ANILLO SEGURIDAD ANELLO SICUREZZA CIRCLIP	SICHERHEITSRING ANNEAU SECURITE AXE	1 2 3 4 5 6 7 8 9 A B C D	
17A		00000036100	ARANDELA MUELLE RONDELLA WASHER	SCHEIBE RONDELLE	1 2 3 4 5 6 7 8 9 A B C D	
18A		00000061040	BOLA.D.4,76. PALLA BALL	KUGEL BILLE DIAMETRE	1 2 3 4 5 6 7 8 9 A B C D	
19A		00003127200	MUELLE MOLLA GRILLETTO TORCIA SPRING, DETENT	FEDER RESSORT	1 2 3 4 5 6 7 8 9 A B C D	
20A		00004162500	TORNILLO C/ALLEN 6M100X25 VITE SCREW	SCHRAUBE VIS	1 2 3 4 5 6 7 8 9 A B C D	
21A		00037000600	ARANDELA CONICA SEG. D6 RONDELLA WASHER	SCHEIBE RONDELLE	1 2 3 4 5 6 7 8 9 A B C D	

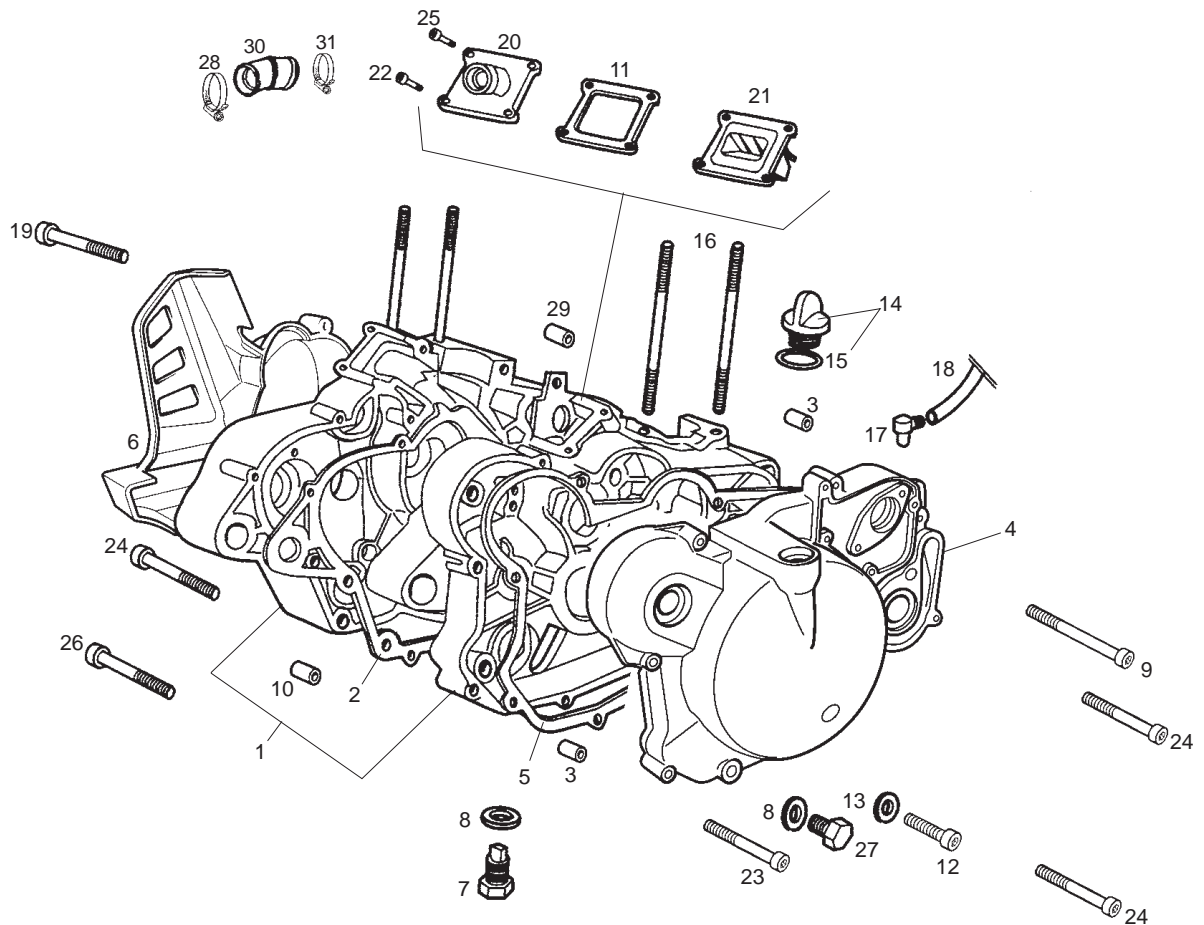


Fig.	Ver.	COD. KOD.	DESCRIPCIÓN DENOMINAZIONE NAME	BEZEICHUNG DESIGNATION	MOD.	NOTAS NOTES NOTA MITSCHRIFT NOTES
01A		CM1503015	CTO. CARTERS CARTERS CRANCKASE ASSEMBLY	MOTORGEHAUSE ENSEMBLE DES CARTERS MOTEUR	1 2 3 4 5 6 7 8 9 ABCD	
02A		847022	JUNTA CARTERS GUARNIZIONE CARTERS GASKET, CHANKCASE	GEHAUSEDICHTUNG JOINT DE CARTERS CENTRAUX	1 2 3 4 5 6 7 8 9 ABCD	
03A		847241	PASADOR UNION CARTER. CHIAVISTELLO SOSTEGNO SPIRALE FORK PIN	STIFT GOUDILLE	1 2 3 4 5 6 7 8 9 ABCD	
04A		CM150703	TAPA CARTER DERECHA SUBC.COP.CARTER DES. CRANCKASE COVER	KUPLINGSDECKEL CARTER DIEMBRYAGE	1 2 3 4 5 6 7 8 9 ABCD	
05A		847084	JUNTA TAPA CARTER DERECHA GUARNIZIONE COPERCHIO CARTER D GASKET RIGHT-HAND COVER	DICHTUNG JOINT DE CARTER EMBRAYAGE	1 2 3 4 5 6 7 8 9 ABCD	
06A		00H03007241	TAPA CARTER IZQUIERDA COPERCHIO CARTER SINISTRO CRANCKASE COVER LEFT	GEHD US ED EDKELLINKS COUVERCLE CARTER GAUCHE	1 2 3 4 5 6 7 8 9 ABCD	
07A		847237	CTO.TORNILLO VACIADO.ACEITE VITE SCREW	SCHRAUBE VIS	1 2 3 4 5 6 7 8 9 ABCD	
08A		847238	ARANDELA VACIADO ACEITE RONDELLA WASHER	SCHEIBE RONDELLE	1 2 3 4 5 6 7 8 9 ABCD	
09A		CM149801	TORNILLO C/ALLEN.6M100X55 VITE SCREW	SCHRAUBE VIS	1 2 3 4 5 6 7 8 9 ABCD	
10A		847023	SEPARADOR CARTER GHIERA PIN	BUCHSE DOUILLE	1 2 3 4 5 6 7 8 9 ABCD	
11A		847091	JUNTA SOPTE.VALVULA ADMISION GUARNIZIONE SOSTEGNO VALVOLA A INLET VALVE GASKET	DICHTUNG VENTILHALTER JOINT BTE.CLAPETS	1 2 3 4 5 6 7 8 9 ABCD	

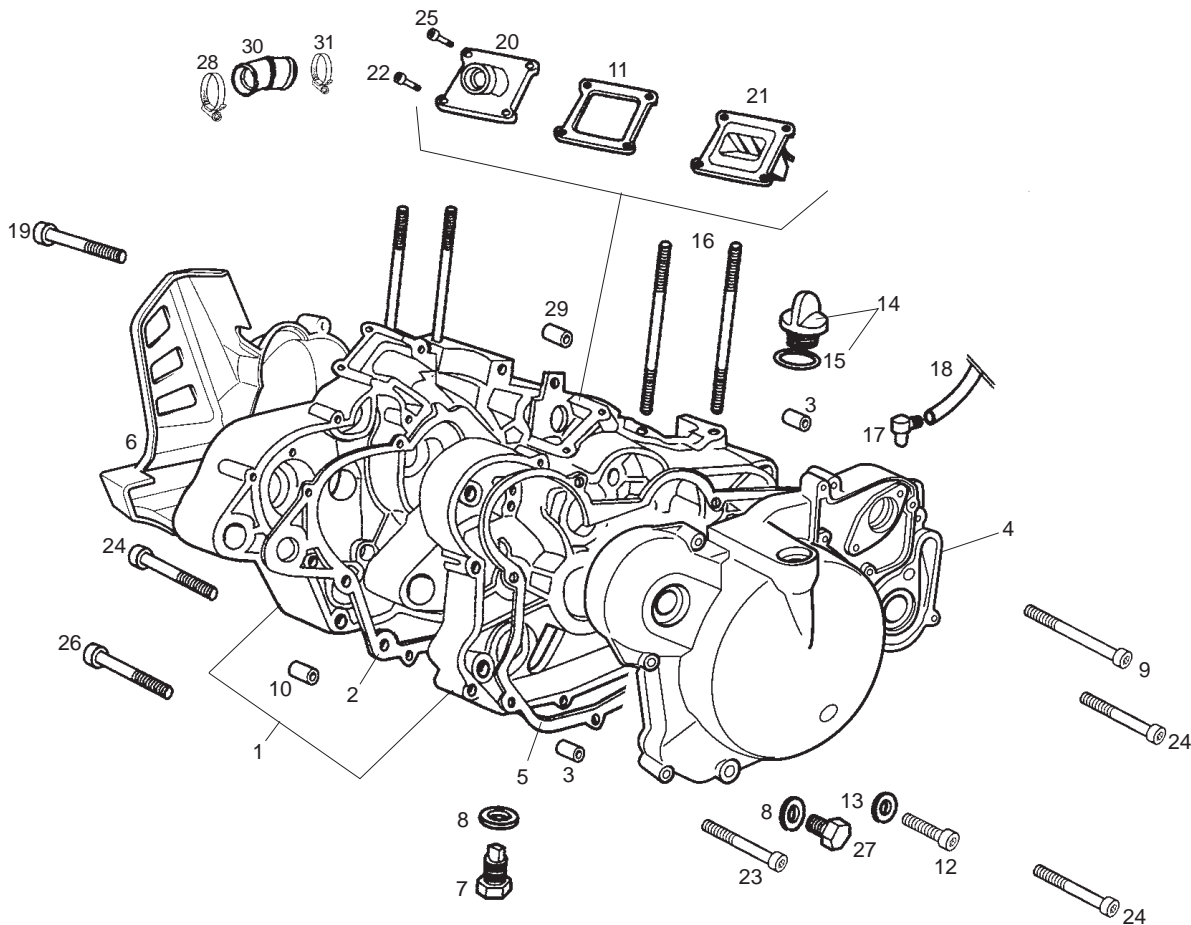


Fig.	Ver.	COD. KOD.	DESCRIPCIÓN DENOMINAZIONE NAME	BEZEICHNUNG DESIGNATION	MOD.	NOTAS NOTES NOTA MITSCHRIFT NOTES
12A		847240	TORNILLO C/ALLEN.6M100X10 VITE SCREW	SCHRAUBE VIS	1234567 89ABCD	
13A		847239	ARANDELA NIVEL ACEITE.D6 RONDELLA WASHER	SCHEIBE RONDELLE	1234567 89ABCD	
14A		847087	TORNILLO LLENADO ACEITE VITE SCREW	SCHRAUBE VIS	1234567 89ABCD	
15A		847180	ANILLO TORICO TAPON NIV.ACTE. ANELLO TORICO SEAL	O-RING JOINT DE JAUGE D,HUILE	1234567 89ABCD	
16A		847015	ESPARRAGO CILINDRO MOTOR BULLONE FISSAGGIO CILINDRO STUD CYLINDER	STEBBOLZEN GOUJON DE FIXE CYLINDRE	1234567 89ABCD	
17A		847024	RACORD SALIDA GASES RACCORDI USCITA GAS CARTER . CRANKCASE VENT RACCORD	AUSGANGSSTUTZEN RACCORD DE SORTIE GAZ CARTE	1234567 89ABCD	
18A		00H03700461	TUBO RESPIRACION TUBO RESPIRAZIONE SERBATOIO VENT PIPE OIL TANK	ENTLUEFTUNGSSCHLAUCH TUYAU RESPIRATION RESERVOIR	1234567 89ABCD	
19A		00G03900821	TORNILLO FIJACION 6X30 VITE SCREW	SCHRAUBE VIS	1234567 89ABCD	
20A		847093	BOQUILLA CARBURANTE ATTACCO CARBURATORE INTAKE MANIFOLD,	ANSAUGSTUTZEN ENSEMB.PIPE DIADMISSION	1234567 89ABCD	
21A		847092	CTO.CAJA LAMINAS ADMISION CASSA LAMINA AMMISSI INLET BOX	MEMBRANE BOITE A CLAPETS	1234567 89ABCD	
22A		CM149804	TORNILLO C/ALLEN.6M100X25. VITE SCREW	SCHRAUBE VIS	1234567 89ABCD	

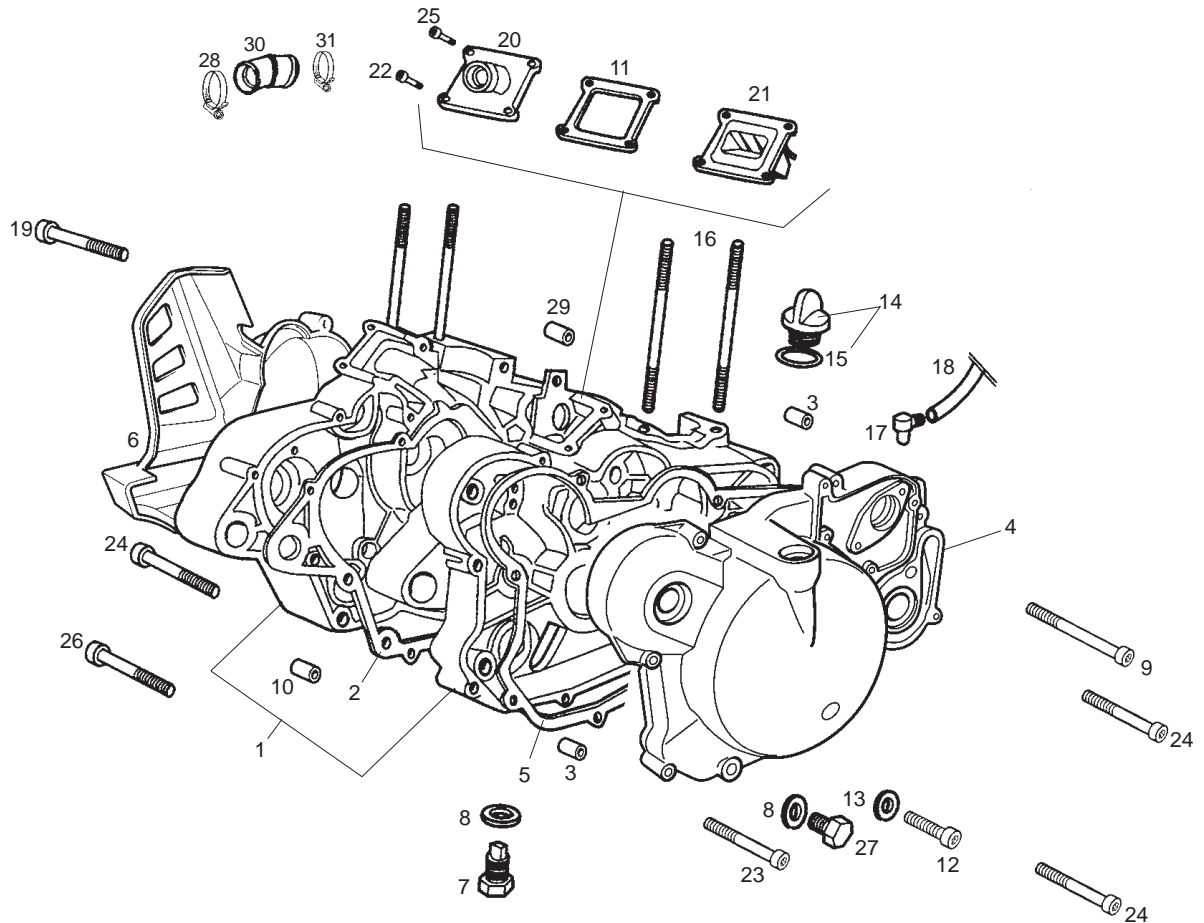


Fig.	Ver.	COD. KOD.	DESCRIPCIÓN DENOMINAZIONE NAME	BEZEICHUNG DESIGNATION	MOD.	NOTAS NOTES NOTA MITSCHRIFT NOTES
23A		CM149806	TORNILLO C/ALLEN.6M100X35 VITE SCREW	SCHRAUBE VIS	1234567 89ABCD	
24A		CM149808	TORNILLO C/ALLEN.6M100X40 VITE SCREW	SCHRAUBE VIS	1234567 89ABCD	
25A		828152	TORNILLO VITE SCREW	SCHRAUBE VIS	1234567 89ABCD	
26A		CM149809	TORNILLO FIJACION CARTERS.6X50 VITE SCREW	SCHRAUBE VIS	1234567 89ABCD	
27A		847174	TORNILLO VACIADO ACEITE. VITE SCREW	SCHRAUBE VIS	1234567 89ABCD	
28A		00H02501491	ABRAZADERA FASCETTA CLAMP	ZÜGEL BRIDE	1234567 89ABCD	
29A		847023	SEPARADOR CARTER GHIERA PIN	BUCHSE DOUILLE	1234567 89ABCD	
30A		871319	RACORD ADMISION BRONZINA BUSHING	BUCHSE ENTRETOISE	1234567 89ABCD	
31A		847096	ABRAZADERA FASCETTA CLAMP	ZÜGEL BRIDE	1234567 89ABCD	

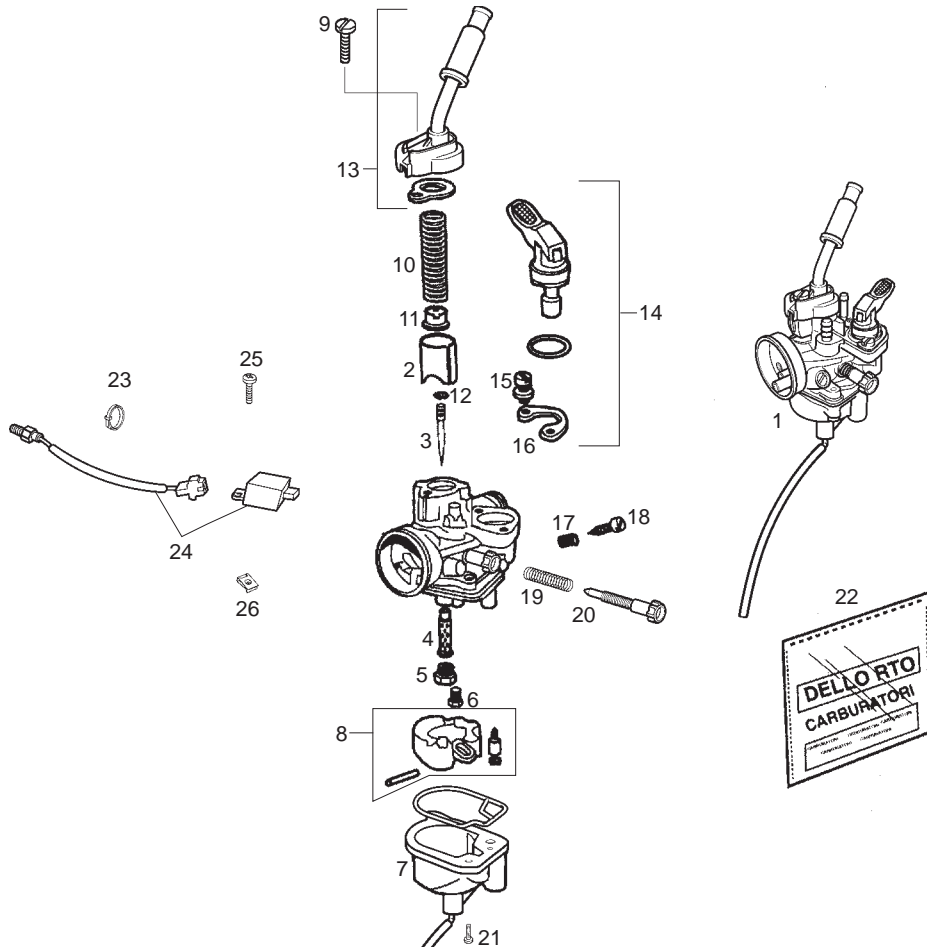


Fig.	Ver.	COD. KOD.	DESCRIPCIÓN DENOMINAZIONE NAME	BEZEICHNUNG DESIGNATION	MOD.	NOTAS NOTES NOTA MITSCHRIFT NOTES
01A		CM152702	CARBURADOR SENDA CARBURATORE CARBURETOR	VERGASER KOMPL ENSEMBLE CARBURATEUR	12 45 7 8 AB D	
01B		CM149905	CARBURADOR SENDA SCANDINAVIA CARBURATORE CARBURETOR	VERGASER KOMPL ENSEMBLE CARBURATEUR	3 6 9 C	
02A		00H03207211	R-COMPUERTA GAS R-VALVOLA GAS SLIDE	GASSCHIEBER BOISSEAU	12 45 7 8 AB D	
02B		00F03201211	R-COMPUERTA GAS R-VALVOLA GAS SLIDE	GASSCHIEBER BOISSEAU	3 6 9 C	
03A		00H03214431	R-AGUJA PULVERIZADORA SPILLO CONICO NEEDLE	DUESENNADELUSE AIGUILLE PULVERIZ.	1234567 89ABCD	
04A		00H03206421	R-PULVERIZADOR «208HA» POLVERIZZATORE NEEDLE JET	ZERSTAUBERDUSE PULVERISATEUR	12 45 7 8 AB D	
04B		00H03204421	R-PULVERIZADOR «208GA» POLVERIZZATORE NEEDLE JET	ZERSTAUBERDUSE PULVERISATEUR	3 6 9 C	
05A		00H03208031	R-SURTIDOR MAXIMO 70 R-GETTO MASSIMO MAIN JET	HAUPT DUSE GICLEUR PRINCIPAL	12 45 7 8 AB D	
05B		00H03215031	R-SURTIDOR MAXIMO 63 R-GETTO MASSIMO MAIN JET	HAUPT DUSE GICLEUR PRINCIPAL	3 6 9 C	
06A		00H04101181	R-SURTIDOR MINIMO 32 R-GETTO MINIMO JET MIN	DUESE MIN. R-GICLEUR MINIMUM.	12 45 7 8 AB D	
06B		00H04106181	R-SURTIDOR MINIMO 33 R-GETTO MINIMO JET MIN	DUESE MIN. R-GICLEUR MINIMUM.	3 6 9 C	

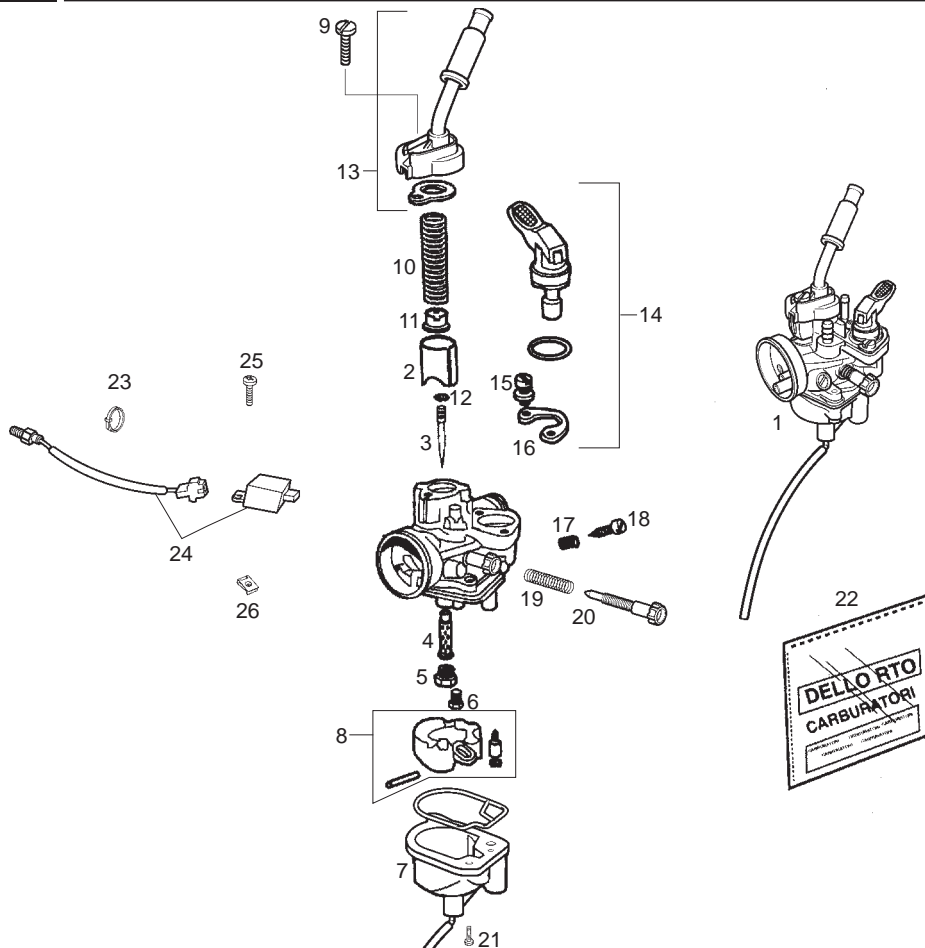


Fig.	Ver.	COD. KOD.	DESCRIPCIÓN DENOMINAZIONE NAME	BEZEICHUNG DESIGNATION	MOD.	NOTAS NOTES NOTA MITSCHRIFT NOTES
07A		484704	VASO GASOLINA VASCHETTA BENZINA FLOAT BOWL SEET	SCHWIMMERKAMMER CUVE INFERIEURE CARBUR.	12 45 7 8 AB D	
07B		00H03201201	R-VASO GASOLINA R-VASCHETTA BENZINA R-FLOAT BOWL SEET	SCHWIMMERKAMMER CUVE INFERIEURE CARBUR.	3 6 9 C	
08A		00H03204281	R-KIT FLOTADOR R-GALLEGGIANTE R-FLOAT	SCHWIMMER R-FLOTTEUR.	12 45 7 8 AB D	
08B		00H03202281	R-KIT FLOTADOR R-GALLEGGIANTE R-FLOAT	SCHWIMMER R-FLOTTEUR.	3 6 9 C	
09A		00G03200061	R-TORNILLO FIJ.TAPA CAM. MEZCLA R-VITE FISSAGIO COPERCHIO CAM. MIXING XAMBER COVER SEGURING	BEF.-SCHRAUBE DECKEL MISCH R-BOUL.SER.COUV.CHAMBRE MEL	1 2 3 4 5 6 7 8 9 ABCD	
10A		00G03201071	R-MUELLE VALVULA GAS R-MOLLA VALVOLA GAS THROTTLE VALVE RETURN	FEDER FUR GASVENTIL R-RESSORT VALVE ESS.	1 2 3 4 5 6 7 8 9 ABCD	
11A		00G03200511	R-CASQUILLO AGUJA PULVERIZADOR GHIERA SPILLO CONICO NEEDLE BUSHING	BUCHSE DUESENNADEL R-DOUILLE AIGUI.PULVERZ.	1 2 3 4 5 6 7 8 9 ABCD	
12A		00G03201371	R-PINZA AGUJA PULVERIZADOR MORSA SPILLO CONICO NEEDLE CIRCLIP	KLAMMER DUESENNADEL R-PINCE AIGUI.PULVERZ.	1 2 3 4 5 6 7 8 9 ABCD	
13A		00H03204231	R-TAPA CAMARA MEZCLA R-COPERCHIO CAMARA MISCELA SE COVER CARBURETOR TOP	MISCHRAUMDECKEL COUVERCLE CARBURATEUR	1 2 3 4 5 6 7 8 9 ABCD	
14A		00H03203711	R-CTO STARTER R-STARTER CHOCKE LOCK	STARTERVENTIL VANNE DU STARTER MANUEL	1 2 3 4 5 6 7 8 9 ABCD	
15A		00G03200541	R-TORNILLO FIJACION STARTER R-VITE FISSAGIO STARTER AV. AUTOMA.CHOCKE SEGURING SCREE	BEF.-SCHRAUBE AUTOM STARTER R-BOULON SER.START	1 2 3 4 5 6 7 8 9 ABCD	

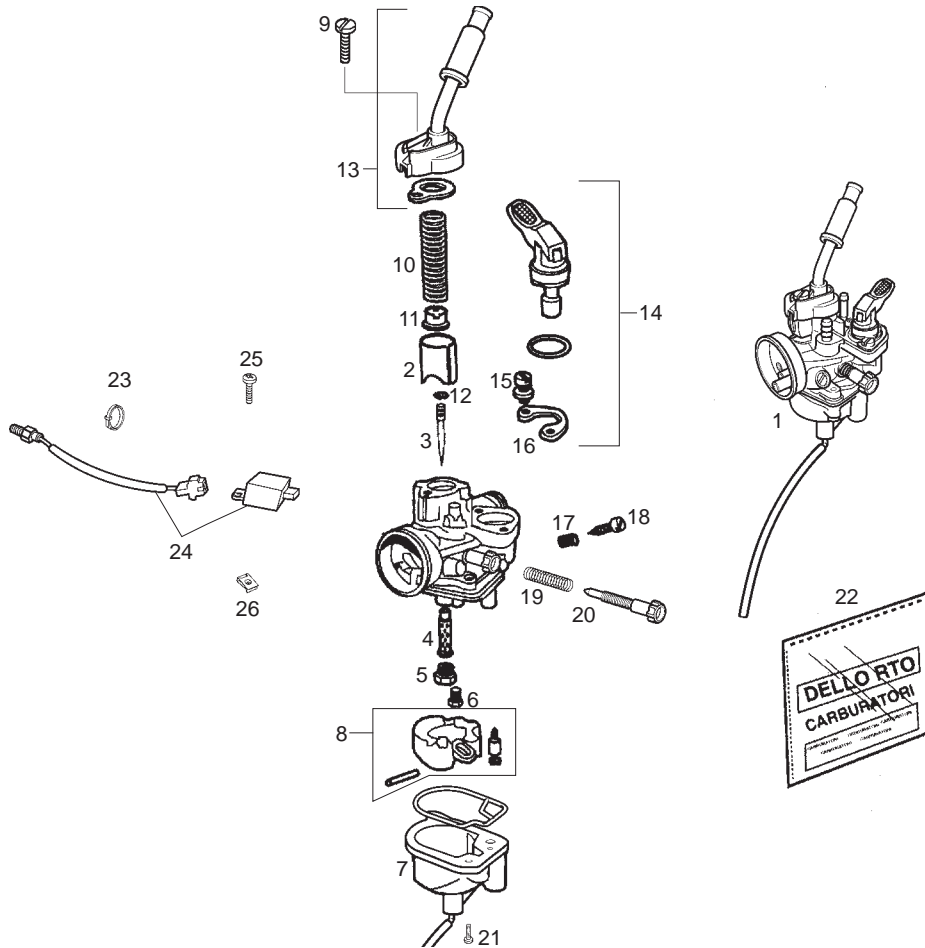


Fig.	Ver.	COD. KOD.	DESCRIPCIÓN DENOMINAZIONE NAME	BEZEICHNUNG DESIGNATION	MOD.	NOTAS NOTES NOTA MITSCHRIFT NOTES
16A		00G03200551	R-PRECINTO FIJACION STARTER PIASTRINA FIS. STARTER AUTOMA.CHOCKE SEGURING SCREE	HALTERUNG AUTOM. STARTER R-PLOMBAGE FIX.START	1 2 3 4 5 6 7 8 9 ABCD	
17A		00G03200721	R-MUELLE REGULACION AIRE MIN. MOLLA REG. ARIA IDLE ADJUSTER	FEDER LUFTREGLER MIN. R-RESSORT REG.AIR MIN.	1 2 3 4 5 6 7 8 9 ABCD	
18A		00G03200731	R-TORNILLO REGULACION AIRE MIN. R-VIS REG.AIR.MIN. IDLE ADJUSTER SCREW	LUFT-REGULIERSCHRAUBE MIN. R-VIS REG.AIR MIN.	1 2 3 4 5 6 7 8 9 ABCD	
19A		00G03200101	R-MUELLE REGULACION VALVULA GAS MOLLA REG. VALVOLA GAS THROOTLE VALVE ADJUSTE SPRING	FEDER GAS-VENTIL-REGELUNG R-RES.REG.VALVE ESS.	1 2 3 4 5 6 7 8 9 ABCD	
20A		00G04102131	R-TORNILLO REGULACION VALVULA GAS R-VITE FISSAGIO VASCHETTA THROOTLE VALVE ADJUSTER SCREW	SCHRAUBE GAS-VENTIL-REGELU R-VIS REG.VALV.ESS.	1 2 3 4 5 6 7 8 9 ABCD	
21A		00G03201091	R-TORNILLO FIJACION VASO GASOLINA R-VITE FISSAGIO VASCHETTA BE FLOAT CHAMBER SEGURING SCREW	BEF.-SCHRAUBE R-BOUL.SERG.VASE ESSENC.	1 2 3 4 5 6 7 8 9 ABCD	
22A		00H04103771	R-JUEGO JUNTAS CARBURADOR R-GUARNIZIONE CARBU. CARBURETOR GASKET	DICHTUNGSATZ KOMPL. VERGAS R-ENS. JOINTS CARBUR.	1 2 3 4 5 6 7 8 9 ABCD	
23A		00A00900531	BRIDA FLANGIA UNIONE CAVI CLAMP	KLAMMER COLLIER	3 6 9 C	
24A		00H06001151	CTO KIT CALENTADOR CARBURADOR KIT RISCALDAMENTO KIT CARBURETTOR HEATER	KABELBAUN FUR HEIZUNG VERG KIT QUI CHAUFFE CARBURATEUR	3 6 9 C	
25A		00F05900041	SCTO. TORNILLO 6M100X16 VITE SCREW	SCHRAUBE VIS	3 6 9 C	
26A		00D01501371	TUERCA FIJACION D6 DADO NUT	MUTTER ECROU	3 6 9 C	

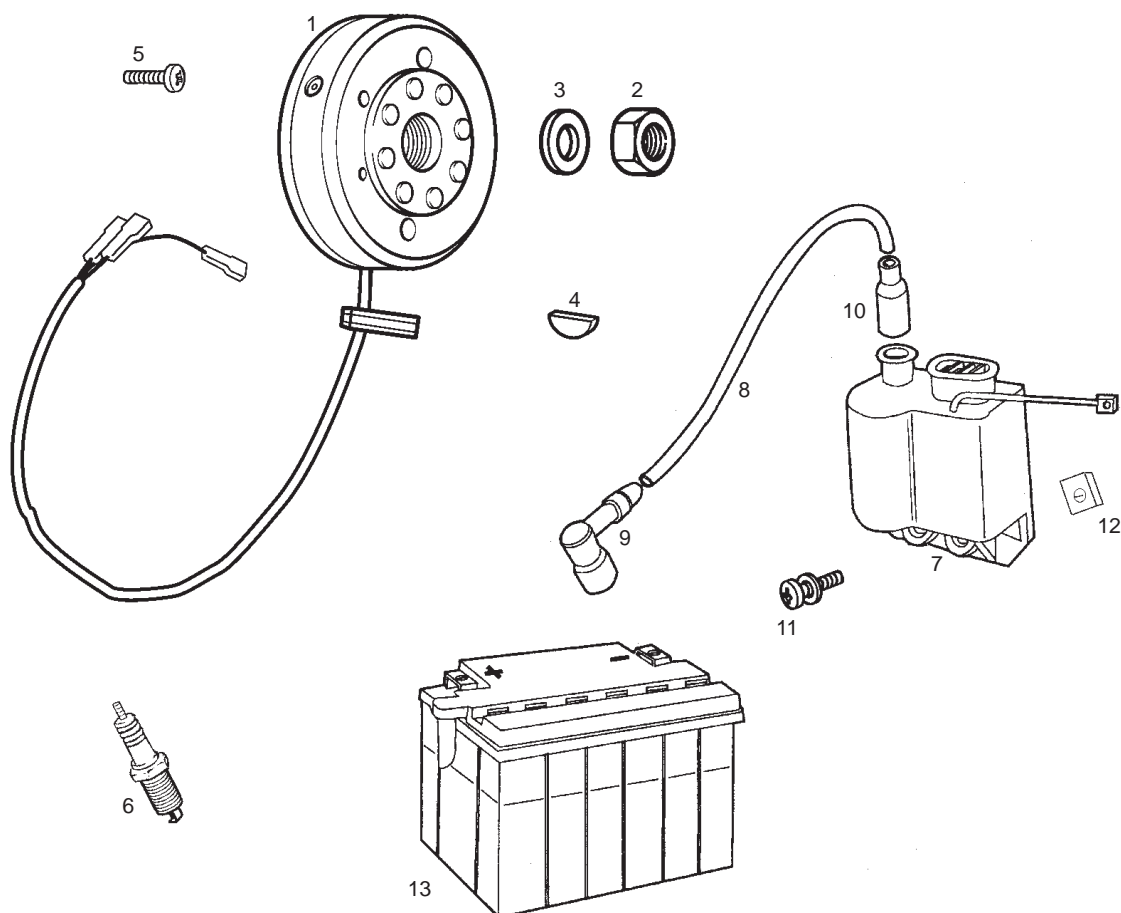


Fig.	Ver.	COD. KOD.	DESCRIPCIÓN DENOMINAZIONE NAME	BEZEICHNUNG DESIGNATION	MOD.	NOTAS NOTES NOTA MITSCHRIFT NOTES
01A		82829R	CTO VOLANTE MAGNETICO VOLANO ELETTRONICO MAGNETO ASSEMBLY	LICHTMASCHINE KOMPL. VOLANT MAGNETIQUE	1234567 89ABCD	
02A		847235	TUERCA FIJACION VOLANTE.MAGN. DADO NUT	MUTTER ECROU	1234567 89ABCD	
03A		847234	ARANDELA FIJ. VOLANTE.MAGN RONDELLA WASHER	SCHEIBE RONDELLE	1234567 89ABCD	
04A		847215	CHAVETA VOLANTE MAGNETICO SPINA VOLANO MAGNETICO .PREC. KEY, FLYWHEEL	KEIL CLAVETTE VOLANT MAGNETIQUE	1234567 89ABCD	
05A		847233	TORNILLO FIJ.VOLTE.MAGN.5M80X10. VITE SCREW	SCHRAUBE VIS	1234567 89ABCD	
06A		847085	BUJIA CANDELA SPARK PLUG	KERZE BOUGIE	1234567 89ABCD	
07A		00H03330171	CTO CONVERSOR ELECTRONICO COVERTITORE ELETTRON COIL, PRIMARY IGNITION	ZUNDSPULE BOBINE AUTE TENSION	12 45 7 8 AB D	
07B		00H03334171	CTO CONVERSOR ELECTRONICO COVERTITORE ELETTRON COIL, PRIMARY IGNITION	ZUNDSPULE BOBINE AUTE TENSION	3 6 9 C	
08A		00F03310741	CABLE BOBINA CAVO BOBINA CABLE COIL PRIMARY IGNITION	ZUNDSPULENKABEL CABLE	1234567 89ABCD	
09A		00G03301271	CTO. PIPA BUJIA PIPETA CANDELA COVER, SPARK PLUG	ZUNDKERZENSTECRER PIPE DE BOUGIE	1234567 89ABCD	
10A		00F03300731	CAPUCHON CABLE BOBINA CAPPUCCIO CAVO BOBINA COIL CABLE RUBBER PROTECTOR	KAPPE CAPUCHON	1234567 89ABCD	

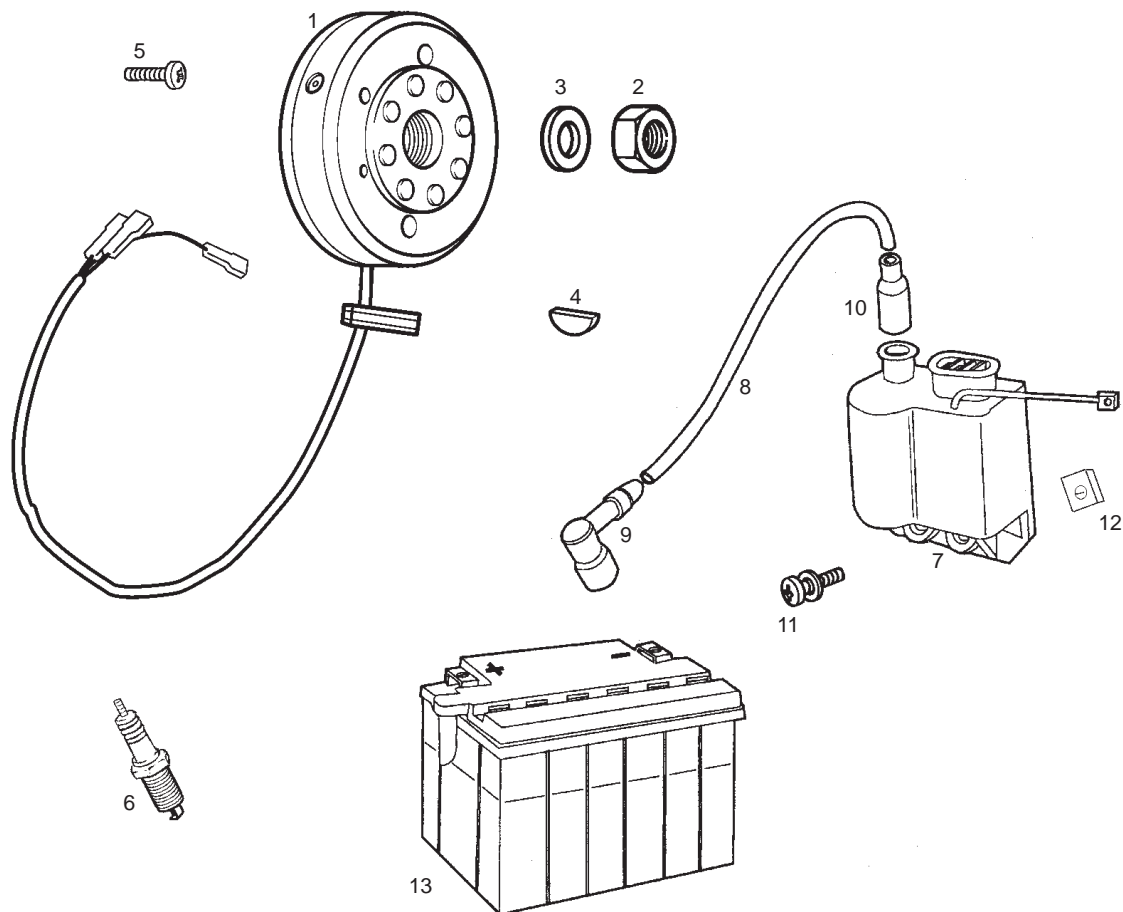


Fig.	Ver.	COD. KOD.	DESCRIPCIÓN DENOMINAZIONE NAME	BEZEICHNUNG DESIGNATION	MOD.	NOTAS NOTES NOTA MITSCHRIFT NOTES
11A		00G06800021	SCTO. TORNILLO 6M100X20 VITE SCREW	SCHRAUBE VIS	1234567 89ABCD	
12A		00D01501371	TUERCA FIJACION D6 DADO NUT	MUTTER ECROU	1234567 89ABCD	
13A		00G03301401	BATERIA 12V 4AH. BATTERIA BATTERY	BATTERIE BATTERIE	1234567 89ABCD	

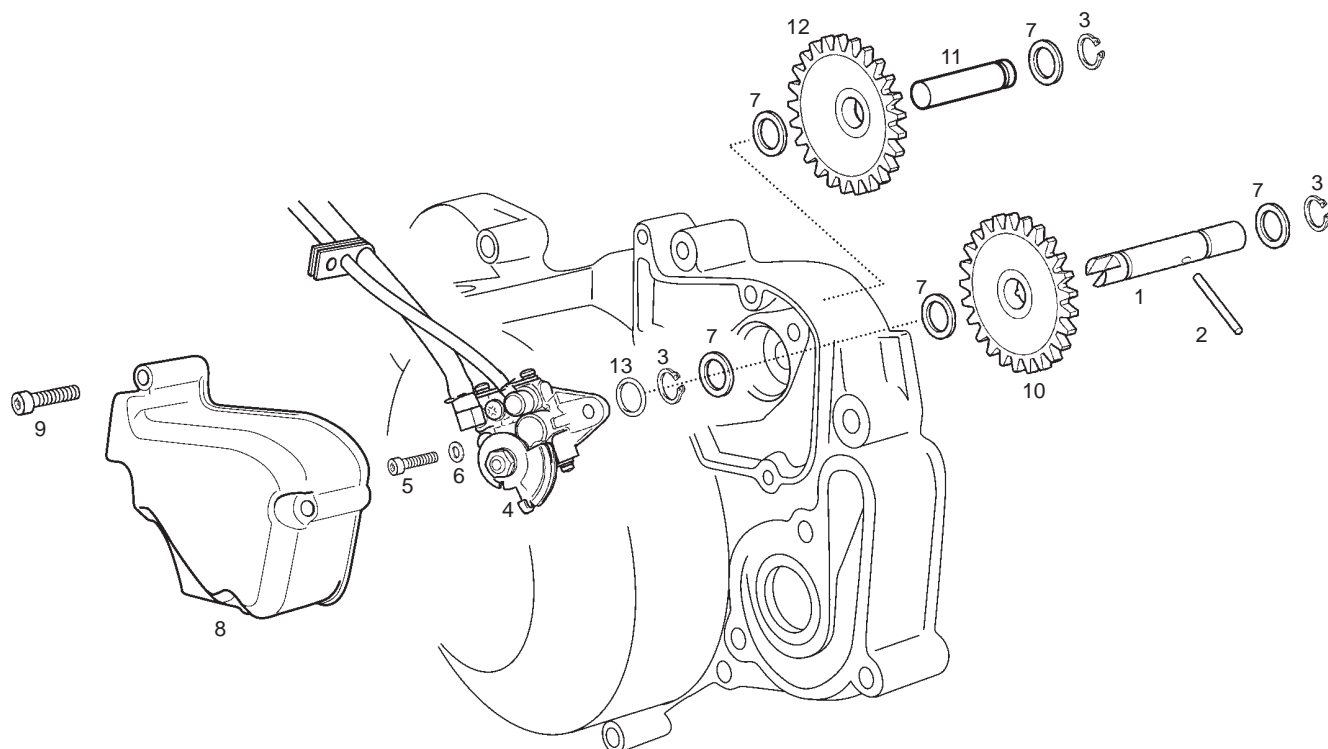


Fig.	Ver.	COD. KOD.	DESCRIPCIÓN DENOMINAZIONE NAME	BEZEICHNUNG DESIGNATION	MOD.	NOTAS NOTES NOTA MITSCHRIFT NOTES
01A		847052	EJE BOMBA ACEITE ASSE POMPA OLIO PUMPOILAXLE	OLPUMPUNACHSE AXE DE POMPE D,HUILLE	1 2 3 4 5 6 7 8 9 ABCD	
02A		847184	PASADOR EJE BOMBA CHIAVISTELLO SOSTEGNO SPIRALE FORK PIN	STIFT GOUDILLE	1 2 3 4 5 6 7 8 9 ABCD	
03A		847182	ANILLO SEGURIDAD EJES D8 ANELLO SICUREZZA CIRCLIP	SEEGERRING CIRCLIP	1 2 3 4 5 6 7 8 9 ABCD	
04A		847055	CTO. BOMBA ACEITE POMPA OLIO OIL PUMP	OLPUMPE POMPE A HUILLE	1 2 3 4 5 6 7 8 9 ABCD	
05A		847227	TORNILLO C/ALLEN 5M80X15 VITE SCREW	SCHRAUBE VIS	1 2 3 4 5 6 7 8 9 ABCD	
06A		847226	ARANDELA D5 RONDELLA WASHER	SCHEIBE RONDELLE	1 2 3 4 5 6 7 8 9 ABCD	
07A		847183	ARANDELA TOPE PIÑON INTERMEDIO RONDELLA WASHER	SCHEIBE RONDELLE	1 2 3 4 5 6 7 8 9 ABCD	
08A		00H03706011	TAPA BOMBA ACEITE COPERCHIO COVER	DECKEL COUVERCLE	1 2 3 4 5 6 7 8 9 ABCD	
09A		00004154000	TORNILLO C/ALLEN 5M80X40 VITE SCREW	SCHRAUBE VIS	1 2 3 4 5 6 7 8 9 ABCD	
10A		847051	PIÑON BOMBA ACEITE Z25 PIGNONE GEAR	ZAHNRAD PIGNON	1 2 3 4 5 6 7 8 9 ABCD	
11A		847076	EJE PIÑONES INTERMEDIOS ASSE AXLE	ACHSE AXE	1 2 3 4 5 6 7 8 9 ABCD	

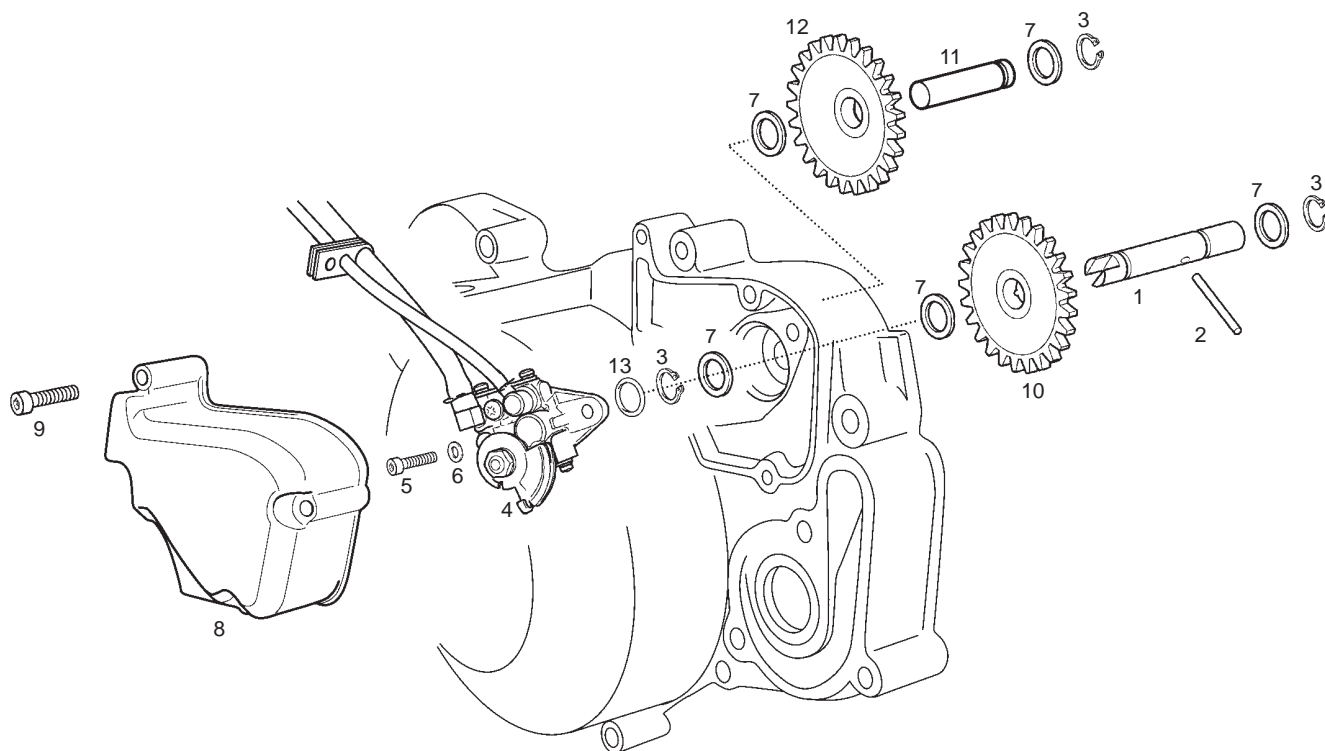


Fig.	Ver.	COD. KOD.	DESCRIPCIÓN DENOMINAZIONE NAME	BEZEICHNUNG DESIGNATION	MOD.	NOTAS NOTES NOTA MITSCHRIFT NOTES
12A		847053	PIÑÓN INTERMEDIO BOMBA Z13/24 PIGNONE GEAR	ZAHNRAD PIGNON	1 2 3 4 5 6 7 8 9 A B C D	
13A		311163	JUNTA BOMBA ACEITE GUARNIZIONE GASKET	DICHTUNG JOINT	1 2 3 4 5 6 7 8 9 A B C D	

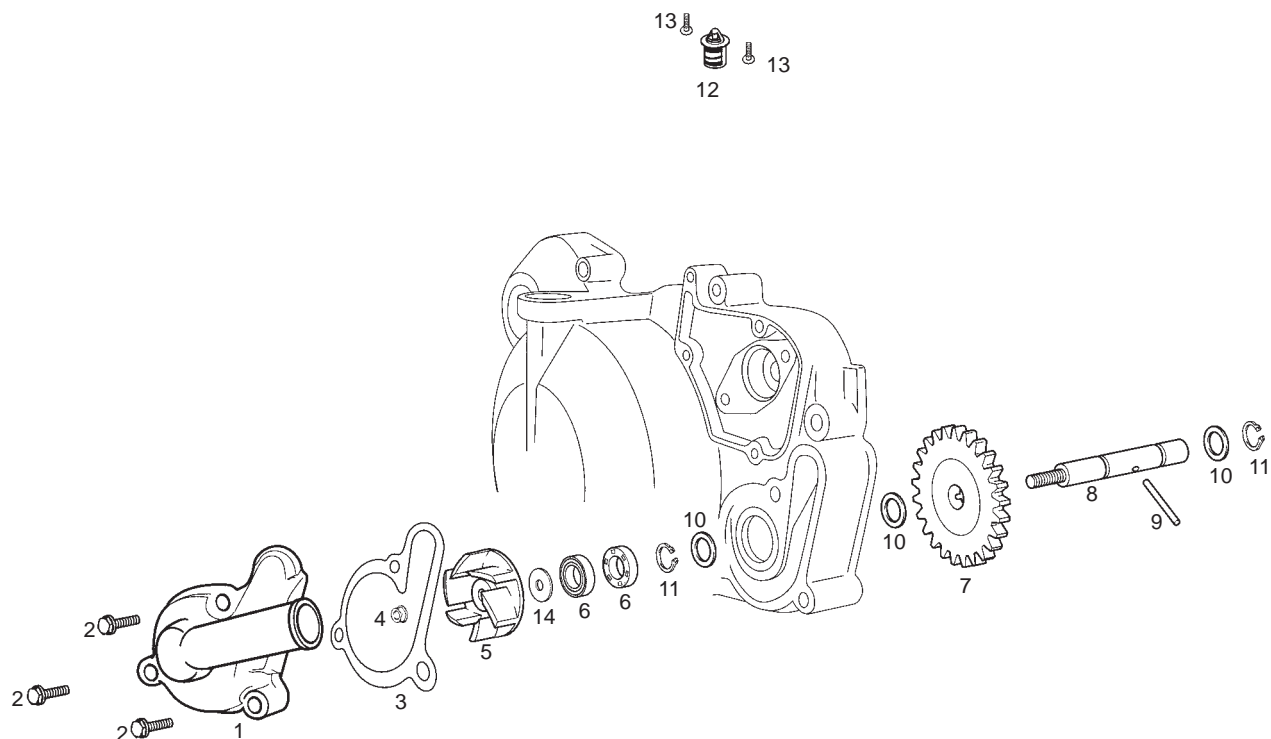


Fig.	Ver.	COD. KOD.	DESCRIPCIÓN DENOMINAZIONE NAME	BEZEICHUNG DESIGNATION	MOD.	NOTAS NOTES NOTA MITSCHRIFT NOTES
01A		CM150802	TAPA BOMBA AGUA COPERCHIO POMPAACQUA WATER PUMP COVER	DECKEL F. WASSERPUMPE COUVERCLE DE POMPE D,EAU	1 2 3 4 5 6 7 8 9 ABCD	
02A		CM149805	TORNILLO FIJACION 6X30 Zn.B VITE SCREW	SCHRAUBE VIS	1 2 3 4 5 6 7 8 9 ABCD	
03A		849169	JUNTA TAPA BOMBA AGUA GUARNIZIONE COPERCHIO GASKET	DICHTUNG F. WASSERPUMPENDE JOINT	1 2 3 4 5 6 7 8 9 ABCD	
04A		847067	TUERCA 5M80 LATON DADO NUT	MUTTER ECROU	1 2 3 4 5 6 7 8 9 ABCD	
05A		847079	RODETE BOMBA AGUA ROCCHETTO POMPAACQUA WATER PUMP ROLLER	LAUFER F. WASSERPUMP CHIGNON POMPE D,EAU	1 2 3 4 5 6 7 8 9 ABCD	
06A		847077	RETEN EJE BOMBA GIUNTO TENUTA SEAL	DICHTRING JOINT	1 2 3 4 5 6 7 8 9 ABCD	
07A		847080	PIÑON BOMBA AGUA Z-32 PIGNONE GEAR	ZAHNRAD PIGNON	1 2 3 4 5 6 7 8 9 ABCD	
08A		847078	EJE BOMBA AGUA ASSE POMPAACQUA WATER-PUMP SHAFT	WASSERPUMPENACHSE AXE POMPE D,AEU	1 2 3 4 5 6 7 8 9 ABCD	
09A		847184	PASADOR EJE BOMBA CHIAVISTELLO SOSTEGNO SPIRALE FORK PIN	STIFT GOUDILLE	1 2 3 4 5 6 7 8 9 ABCD	
10A		847183	ARANDELA TOPE PIÑON INTERMEDIO RONDELLA WASHER	SCHEIBE RONDELLE	1 2 3 4 5 6 7 8 9 ABCD	
11A		847182	ANILLO SEGURIDAD D8 ANELLO SICUREZZA CIRCLIP	SEEGERRING CIRCLIP	1 2 3 4 5 6 7 8 9 ABCD	

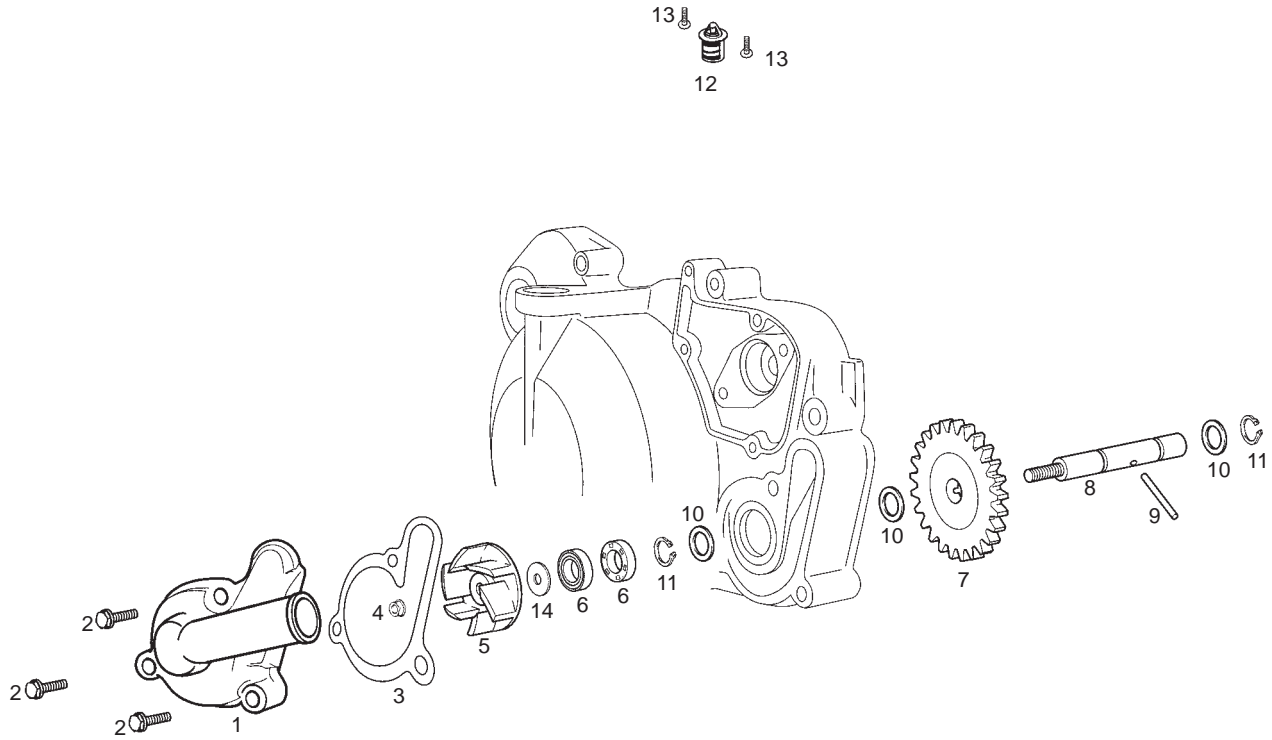


Fig.	Ver.	COD. KOD.	DESCRIPCIÓN DENOMINAZIONE NAME	BEZEICHNUNG DESIGNATION	MOD.	NOTAS NOTES NOTA MITSCHRIFT NOTES
12A		483395	INTERRUPTOR TERMICO INTERRUPTORE TERMICO THERMIC SWITCH	SCHALTER INTERRUPTEUR	1 2 3 4 5 6 7 8 9 A B C D	
13A		847176	TORNILLO C/RED CRUZ NEGRO VITE SCREW	SCHRAUBE VIS	1 2 3 4 5 6 7 8 9 A B C D	
14A		847181	ARANDELA RONDELLA WASHER	SCHEIBE RONDELLE	1 2 3 4 5 6 7 8 9 A B C D	

CODIGO CODE	Lám. Diagr.	Figr.	Vers.	CODIGO CODE	Lám. Diagr.	Figr.	Vers.	CODIGO CODE	Lám. Diagr.	Figr.	Vers.	CODIGO CODE	Lám. Diagr.	Figr.	Vers.
847044	16	08A		847213	18	33A		863161	02B	24A					
847045	16	03A		847214	18	28A		863162	02B	27A					
847046	16	13A		847215	15	16A		863163	02B	28A					
847047	16	14A		847215	22	04A		863164	02B	29A					
847048	16	16A		847217	16	02A		871319	20	30A					
847051	23	10A		847218	16	04A		CM149801	20	09A					
847052	23	01A		847220	16	05A		CM149802	19	02A					
847053	23	12A		847221	16	06A		CM149804	15	19A					
847055	23	04A		847223	16	21A		CM149804	20	22A					
847056	19	08A		847224	16	15A		CM149805	24	02A					
847057	19	10A		847225	16	17A		CM149806	20	23A					
847058	19	11A		847226	23	06A		CM149808	20	24A					
847059	19	12A		847227	23	05A		CM149809	20	26A					
847060	19	07A		847228	17	08A		CM149905	21	01B					
847061	19	06A		847228	19	01A		CM1503015	20	01A					
847062	19	09A		847229	19	03A		CM150703	20	04A					
847067	24	04A		847230	19	13A		CM150802	24	01A					
847068	17	06A		847231	19	14A		CM151201	16	20A					
847069	17	04A		847232	19	05A		CM151902	15	06A					
847070	17	05A		847233	22	05A		CM152702	21	01A					
847073	17	03A		847234	22	03A									
847074	19	04A		847235	22	02A									
847075	16	19A		847236	17	01A									
847075	17	07A		847237	20	07A									
847076	23	11A		847238	20	08A									
847077	24	06A		847239	20	13A									
847078	24	08A		847240	20	12A									
847079	24	05A		847241	20	03A									
847080	24	07A		8472625001	15	02A									
847081	18	31A		8472625002	15	02B									
847083	16	18A		8472625003	15	02C									
847084	20	05A		8472625004	15	02D									
847085	22	06A		847508	15	01A									
847086	18	03A		847529	15	17A									
847087	20	14A		847541	18	16A									
847090	16	22A		847542	18	14A									
847091	20	11A		847544	18	02A									
847092	20	21A		847545	18	18A									
847093	20	20A		847546	18	17A									
847096	20	31A		847547	18	34A									
847098	16	01A		847548	18	15A									
847153	18	07A		847549	18	11A									
847154	18	21A		847550	18	13A									
847155	18	09A		849169	24	03A									
847156	18	10A		861001	02B	13A									
847157	18	08A		861781	14	01B									
847158	18	30A		863143	02B	01A									
847159	18	35A		863144	02B	02A									
847172	15	12A		863145	02B	03A									
847174	20	27A		863146	02B	05A									
847176	24	13A		863147	02B	06A									
847178	15	05A		863148	02B	07A									
847179	16	09A		863149	02B	08A									
847180	20	15A		863150	02B	09A									
847181	24	14A		863151	02B	10A									
847182	23	03A		863152	02B	11A									
847182	24	11A		863153	02B	12A									
847183	23	07A		863154	02B	14A									
847183	24	10A		863155	02B	15A									
847184	23	02A		863156	02B	16A									
847184	24	09A		863157	02B	17A									
847209	18	20A		863158	02B	19A									
847210	18	05A		863159	02B	20A									
847211	18	12A		863160	02B	23A									