

NACIONAL MOTOR, S.A.U. DERBI

C/ Barcelona, nº19 - Martorelles 08107 - BARCELONA (SPAIN)
Tel. 93 565 78 78 - Fax 93 565 78 52

DERBI



SENDA R X-RACE 2007-2009 E2

CÓDIGO CATÁLOGO
CATALOGUE NUMBER

7077CH09001

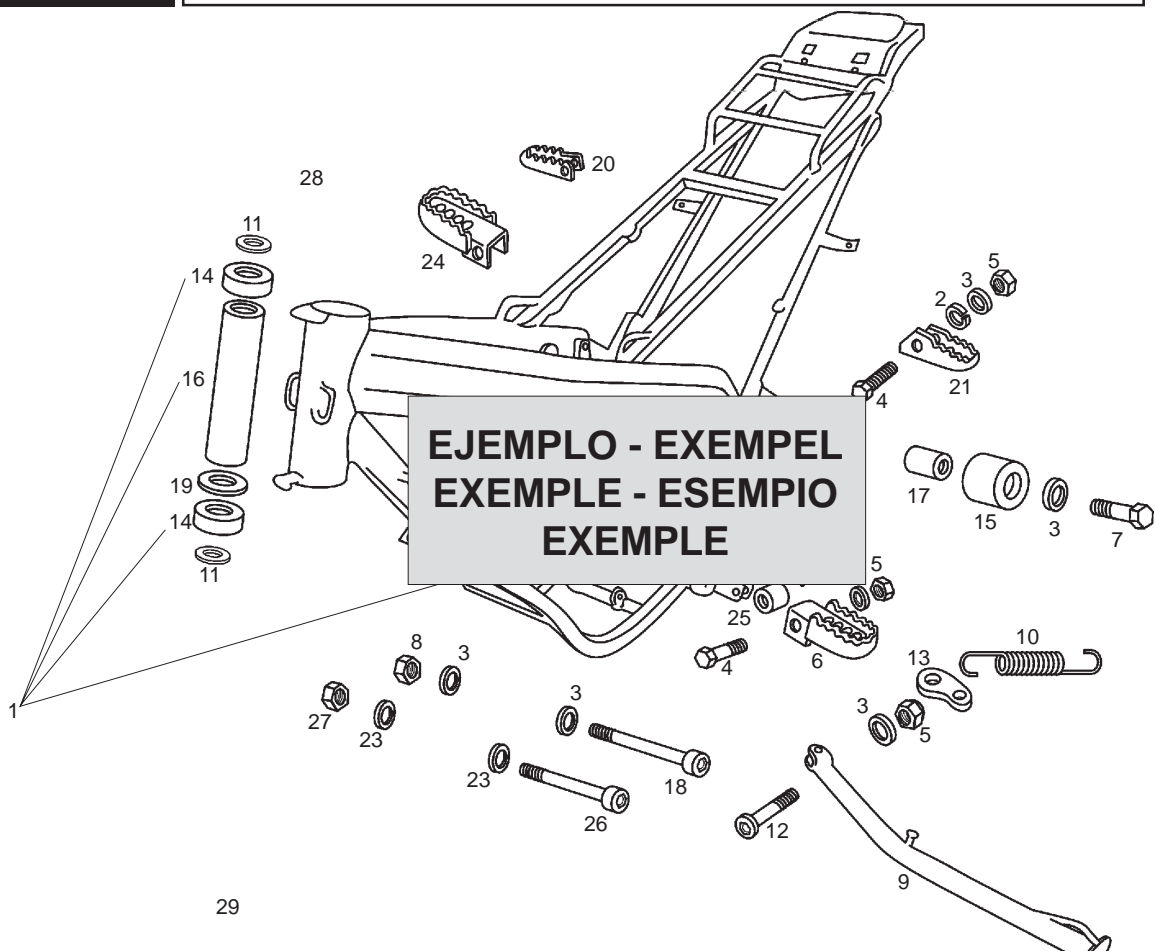


Fig.	Ver.	COD. KOD.	DESCRIPCIÓN DENOMINAZIONE NAME	BEZEICHUNG DESIGNATION	MOD.	NOTAS NOTES MITSCHRIFT NOTES
		00G01924601	R-SCTO.CUADRO C/COJIN. ATLANTIS TELAIO FRAME SUB-ASSEMBLY	RHAMEN CADRE COMPLET	12	XXXXXXX
②	01	00G01924601	R-SCTO.CUADRO C/COJIN. ATLANTIS TELAIO FRAME SUB-ASSEMBLY	RHAMEN CADRE COMPLET	12	XXXXXXX
③	02	00G01924601	R-SCTO.CUADRO C/COJIN. ATLANTIS TELAIO FRAME SUB-ASSEMBLY	RHAMEN CADRE COMPLET	12	XXXXXXX
④	03	00G01924601	R-SCTO.CUADRO C/COJIN. ATLANTIS TELAIO FRAME SUB-ASSEMBLY	RHAMEN CADRE COMPLET	12	XXXXXXX

1- Código de localización de piezas. 2- Código indicativo de pieza reemplazada. 3- Código indicativo de pieza anulada. 4- Código indicativo de pieza restituida (esta se monta de nuevo). 5- Código de referencia de la pieza. 6- Identificación de modelos. 7- Los códigos de esta casilla indican que, a partir del número de chasis o motor indicado dentro de esta, se monta una nueva pieza que reemplaza a la anterior (sección 2), que una pieza no se monta (sección 3), o que la pieza anulada se monta de nuevo (sección 4), y concierne a los modelos indicados (sección 6). 8- Denominación de la pieza.

1- Codice di localizzazione pezzi. 2- Codice indicatore del pezzo sostituito. 3- Il pezzo precedente non si monta. 4- Codice indicatore dei pezzi che si tornano a montare. 5- Codice di identificazione del pezzo. 6- Identificazione del modello. 7- Il codice di questa casella indica che, a partire di Telaio/motore indicato, si monta un nuovo pezzo che sostituisce il precedente (sezione 2), che un pezzo non si monta (sezione 3), oppure che il pezzo annullato si monta di nuovo (sezione 4), facendo riferimento al modello indicato (sezione 6). 8- Denominazione del pezzo.

1- Part location number. 2- Substituted part number. 3- Withdrawn part number (no longer fitted). 4- Restored part number (newly fitted being withdrawn). 5- Part reference number. 6- Model identification number. 7- Chassis or engine number from which a new part is fitted substituting a part which has been withdrawn (see para 2) or a part is withdrawn is fitted again (see para 4), in the models indicated (see para 6). 8- Part identification label.

1- Zeichnungs - Nummer. 2- Ausführung. 3- Gestrichene Ersatzteilnummer. 4- Ersetzte Ersatzteilnummer. 5- Ersatzteilnummer. 6- Modell - Nummer. 7- Rhamen - order motonummer, für die ein neues teil eingestzt wird, z.b. eine nummer, die geändert (s. para 2), order ein teil, das gestrichen wurde (s.para 3), order ein teil, das vorübergehend verschiedene modelle (s. para 6) 8- Bezeichnung.

1- Code de localisation de la pièce. 2- Code indicateur de pièce remplace par un autre. 3- Code indicateur de pièce annulé (elle n'est plus montée). 4- Code indicateur de pièce restituée (elle se monte à nouveau). 5- Code référence de la pièce. 6- Les codes de cette case indiquant qu'à partir de numero 7- Chassis ou de moteur indiqué, un nouvelle pièce est montée en remplacement d'une autre (section 2), qu'une pièce n'est plus montée

IDENTIFICACION DE MODELOS REPRESENTADOS EN ESTE CATALOGO SEGUN LOS DIGITOS SIGUIENTES

IDENTIFICAZIONE DEI MODELLI RAPPRESENTATI IN QUESTO CATALOGO SECONDO I NUMERI A SEGUIRE

THE MODELS REFERRED INTO THIS CATALOGUE ARE IDENTIFIED BY FOLLOWING NUMBERS

BESTIMMUNG DER VERSCHIEDENEN MODELLE IN DIESEM KATALOG

IDENTIFICATION DES MODELOES REPRESENTES DANS CE CATALOGUE, EN FONCTION DES CODES SUIVANTS

MODELO MODELLI MODEL MODELL MODELE	DENOMINACION DENOMINAZIONE MODEL NAME BEZEICHNUNG DENOMINATION	CODIGO MODELO CODICE MODELLI CODE MODEL KODE MODELL CODE MODELE
1 	SENDAR X-RACE ESPAÑA ROJO (APOLO) 2007 E2 SENDAR X-RACE FRANCE RED (APOLO) 2007 E2 SENDAR X-RACE ENGLAND RED (APOLO) 2007 E2 SENDAR X-RACE ITALY RED (APOLO) 2007 E2	E 92H43E730 E 92H43F730 E 92H43G730 E 92H43I730
2 	SENDAR X-RACE AUSTRIA RED (APOLO) 2007 E2 SENDAR X-RACE BENELUX RED (APOLO) 2007 E2	E 92H43U730 E 92H43X730
3 	SENDAR X-RACE SCANDINAVIA RED (APOLO) 2007 E2	E 92H43V730
4 	SENDAR X-RACE ESPAÑA AZUL (ARGOS) 2007 E2 SENDAR X-RACE FRANCE BLUE (ARGOS) 2007 E2 SENDAR X-RACE ENGLAND BLUE (ARGOS) 2007 E2 SENDAR X-RACE ITALY BLUE (ARGOS) 2007 E2	E 92H43E740 E 92H43F740 E 92H43G740 E 92H43I740

IDENTIFICACION DE MODELOS REPRESENTADOS EN ESTE CATALOGO SEGUN LOS DIGITOS SIGUIENTES
 IDENTIFICAZIONE DEI MODELLI RAPPRESENTATI IN QUESTO CATALOGO SECONDO I NUMERI A SEGUIRE
 THE MODELS REFERRED INTO THIS CATALOGUE ARE IDENTIFIED BY FOLLOWING NUMBERS
 BESTIMMUNG DER VERSCHIEDENEN MODELLE IN DIESEM KATALOG
 IDENTIFICATION DES MODELOES REPRESENTES DANS CE CATALOGUE, EN FUNCTION DES CODES SUIVANTS

MODELO MODELLI MODEL MODELL MODELE	DENOMINACION DENOMINAZIONE MODEL NAME BEZEICHNUNG DENOMINATION	CODIGO MODELO CODICE MODELLI CODE MODEL KODE MODELL CODE MODELE
5 	SENDA R X-RACE AUSTRIA BLUE (ARGOS) 2007 E2 SENDA R X-RACE BENELUX BLUE (ARGOS) 2007 E2	E 92H43U740 E 92H43X740
6 	SENDA R X-RACE SCANDINAVIA BLUE (ARGOS) 2007 E2	E 92H43V740
7 	SENDA R X-RACE ESPAÑA NEGRO 2007 E2 SENDA R X-RACE FRANCE BLACK 2007 E2 SENDA R X-RACE ENGLAND BLACK 2007 E2 SENDA R X-RACE ITALY BLACK 2007 E2	E 92H43E780 E 92H43F780 E 92H43G780 E 92H43I780
8 	SENDA R X-RACE AUSTRIA BLACK 2007 E2 SENDA R X-RACE BENELUX BLACK 2007 E2	E 92H43U780 E 92H43X780





IDENTIFICACION DE MODELOS REPRESENTADOS EN ESTE CATALOGO SEGUN LOS DIGITOS SIGUIENTES

IDENTIFICAZIONE DEI MODELLI RAPPRESENTATI IN QUESTO CATALOGO SECONDO I NUMERI A SEGUIRE

THE MODELS REFERRED INTO THIS CATALOGUE ARE IDENTIFIED BY FOLLOWING NUMBERS

BESTIMMUNG DER VERSCHIEDENEN MODELLE IN DIESEM KATALOG

IDENTIFICATION DES MODELOES REPRESENTES DANS CE CATALOGUE, EN FONCTION DES CODES SUIVANTS

MODELO MODELLI MODEL MODELL MODELE	DENOMINACION DENOMINAZIONE MODEL NAME BEZEICHNUNG DENOMINATION	CODIGO MODELO CODICE MODELLI CODE MODEL KODE MODELL CODE MODELE
9 	SENDAR X-RACE SCANDINAVIA BLACK 2007 E2	E 92H43V780
A 	SENDAR X-RACE ESPAÑA NEGRO/AZUL 2009 E2 SENDAR X-RACE FRANCE BLACK/BLUE 2009 E2 SENDAR X-RACE ENGLAND BLACK/BLUE 2009 E2 SENDAR X-RACE ITALY BLACK/BLUE 2009 E2	E 92H43E940 E 92H43F940 E 92H43G940 E 92H43I940
B 	SENDAR X-RACE AUSTRIA BLACK/BLUE 2009 E2	E 92H43U940
C 	SENDAR X-RACE SCANDINAVIA BLACK/BLUE 2009 E2	E 92H43V940

IDENTIFICACION DE MODELOS REPRESENTADOS EN ESTE CATALOGO SEGUN LOS DIGITOS SIGUIENTES
 IDENTIFICAZIONE DEI MODELLI RAPPRESENTATI IN QUESTO CATALOGO SECONDO I NUMERI A SEGUIRE
 THE MODELS REFERRED INTO THIS CATALOGUE ARE IDENTIFIED BY FOLLOWING NUMBERS
 BESTIMMUNG DER VERSCHIEDENEN MODELLE IN DIESEM KATALOG
 IDENTIFICATION DES MODELOES REPRESENTES DANS CE CATALOGUE, EN FUNCTION DES CODES SUIVANTS




MODELO MODELLI MODEL MODELL MODELE	DENOMINACION DENOMINAZIONE MODEL NAME BEZEICHNUNG DENOMINATION	CODIGO MODELO CODICE MODELLI CODE MODEL KODE MODELL CODE MODELE
<p style="font-size: 2em; font-weight: bold; margin-left: 10px;">D</p> 	<p>SENDAR X-RACE ESPAÑA NEGRO/GRIS 2009 E2 SENDAR X-RACE FRANCE BLACK/GREY 2009 E2 SENDAR X-RACE ENGLAND BLACK/GREY 2009 E2 SENDAR X-RACE ITALY BLACK/GREY 2009 E2</p>	<p>E92H43E980 E92H43F980 E92H43G980 E92H43I980</p>
<p style="font-size: 2em; font-weight: bold; margin-left: 10px;">E</p> 	<p>SENDAR X-RACE AUSTRIA BLACK/GREY 2009 E2</p>	<p>E92H43U980</p>
<p style="font-size: 2em; font-weight: bold; margin-left: 10px;">F</p> 	<p>SENDAR X-RACE SCANDINAVIA BLACK/GREY 2009 E2</p>	<p>E92H43V980</p>

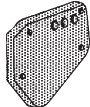
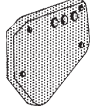
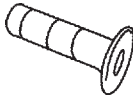

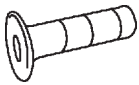









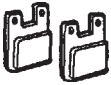

IMAGEN FIGURE	LAMINA DIAGRAM	POSICION POSITION	CODIGO CODE	DESCRIPCION ESPAÑOL / SPANISH DESCRIPTION DESCRIPCION INGLES / ENGLISH DESCRIPTION	CANTIDAD POR MOTO QTY PER BIKE	NOTES NOTES
	04	26A	00H03209251	ESPUMA FILTRO AIRE AIR FILTER MESH	1	
	04	26B	00H03209251	ESPUMA FILTRO AIRE AIR FILTER MESH	1	ONLY MODELS 3-6-9-C-F
	06	04A	00H00930091	R-EMPUÑADURA GAS GRIP, THROTTLE	1	
	06	06A	00F00902291	MANETA FRENO DELANTERO BRAKE LEVER	1	
	06	15A	00H00930071	EMPUÑADURA LADO EMBRAGUE GRIP	1	
	06	16A	00F00910291	R-MANETA EMBRAGUE CLUTCH LEVER	1	
	06	19A	865599	KIT ESPEJOS RETROVISORES REAR MIRROR	1	
	07A	07A	00H01000131	LAMPARA FARO.12V.35/35W. HEADLIGHT BULB	1	MODEL YEAR 2007
	07A	10A	00H01000371	LAMP.PILOTO-STOP.12V.21/5W. BULB, TAILLIGHT/STOP	1	MODEL YEAR 2007
	07A	23A	0000A517011	BOMBILLA INTERMITENTES INDICATOR LIGHT BULB	4	MODEL YEAR 2007
	07B	07A	00H01000131	LAMPARA FARO.12V.35/35W. HEADLIGHT BULB	1	MODEL YEAR 2009
	07B	10A	00H01000371	LAMP.PILOTO-STOP.12V.21/5W. BULB, TAILLIGHT/STOP	1	MODEL YEAR 2009
	07B	23A	0000A517011	BOMBILLA INTERMITENTES INDICATOR LIGHT BULB	4	MODEL YEAR 2009
	08	07A	86156R	DISCO FRENO DELANTERO FRONT BRAKE DISC	1	
	08	20A	00G04700141	JUEGO PASTILLAS DE FRENO SET OF BRAKE PADS	1	
	09	07A	00H01502201	CADENA SECUNDARIA 130 P TRANSMISSION CHAIN	1	ONLY MODELS 1-2-4-5-A-B-D-E








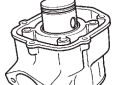
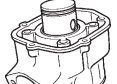
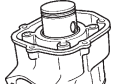






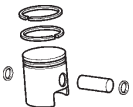

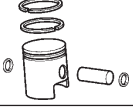
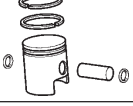
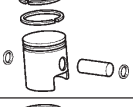








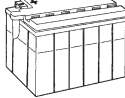
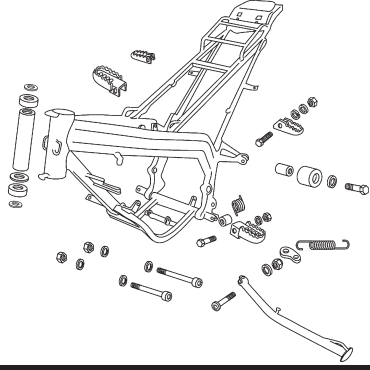
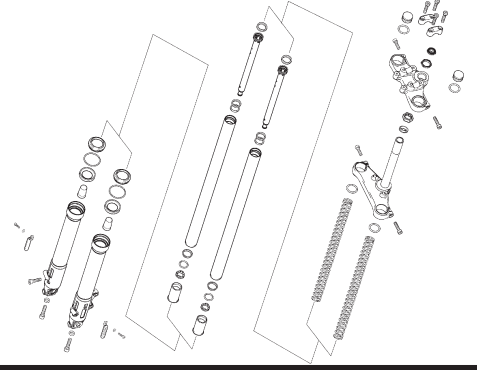
IMAGEN FIGURE	LAMINA DIAGRAM	POSICION POSITION	CODIGO CODE	DESCRIPCION ESPAÑOL / SPANISH DESCRIPTION DESCRIPCION INGLES / ENGLISH DESCRIPTION	CANTIDAD POR MOTO QTY PER BIKE	NOTES NOTES
	09	07B	00H01506201	CADENA SECUNDARIA 136 P TRANSMISSION CHAIN	1	ONLY SCANDINAVIA
	09	15A	00H01317031	PLATO ARRASTRE Z-53 DRIVE PLATE	1	ONLY MODELS 1-2-4-5-A-B-D-E
	09	15B	00H01326031	PLATO ARRASTRE Z-65 DRIVE PLATE	1	ONLY SCANDINAVIA
	09	16A	00H01305531	DISCO FRENO TR. REAR BRAKE DISC	1	
	10	16A	00H01120021	PALANCA FRENO BRAKE PEDAL	1	
	10	23A	00G04700141	JUEGO PASTILLAS DE FRENO SET OF BRAKE PADS	1	
	11	11A	00H01801411	LLAVE CONTACTO POR MECANIZAR LOCK KEYS	1	
	15	01A	847508	CTO CILINDRO-PISTON (ALUMINIO) CYLINDER PISTON ASSEMBLY	1	UNTIL FRAME 8H417908
	15	01B	8772085	CTO CILINDRO-PISTON (HIERRO) CYLINDER PISTON ASSEMBLY	1	BETWEEN 8H417909 9H434746
	15	01C	877719	CTO CILINDRO-PISTON (HIERRO) CYLINDER PISTON ASSEMBLY	1	SINCE FRAME 9H434747
	15	02A	8472625001	CTO PISTON (A) - v/ALUMINIO PISTON (A)	1	UNTIL FRAME 8H417908
	15	02B	8472625002	CTO PISTON (B) - v/ALUMINIO PISTON (B)	1	UNTIL FRAME 8H417908
	15	02C	8472625003	CTO PISTON (C) - v/ALUMINIO PISTON (C)	1	UNTIL FRAME 8H417908
	15	02D	8472625004	CTO PISTON (D) - v/ALUMINIO PISTON (D)	1	UNTIL FRAME 8H417908
	15	02E	8744440001	CTO PISTON (A) - v/HIERRO PISTON (A)	1	BETWEEN 8H417909 9H434746
	15	02F	8744440002	CTO PISTON (B) - v/HIERRO PISTON (B)	1	BETWEEN 8H417909 9H434746

IMAGEN FIGURE	LAMINA DIAGRAM	POSICION POSITION	CODIGO CODE	DESCRIPCION ESPAÑOL / SPANISH DESCRIPTION DESCRIPCION INGLES / ENGLISH DESCRIPTION	CANTIDAD POR MOTO QTY PER BIKE	NOTES NOTES
	15	02G	8744440003	CTO PISTON (C) - v/HIERRO PISTON (C)	1	BETWEEN 8H417909 9H434746
	15	02H	8744440004	CTO PISTON (D) - v/HIERRO PISTON (D)	1	BETWEEN 8H417909 9H434746
	15	02I	8770700001	CTO PISTON (A) - v/HIERRO PISTON (D)	1	SINCE FRAME 9H434747
	15	02J	8770700002	CTO PISTON (B) - v/HIERRO PISTON (D)	1	SINCE FRAME 9H434747
	15	02K	8770700003	CTO PISTON (C) - v/HIERRO PISTON (D)	1	SINCE FRAME 9H434747
	15	02L	8770700004	CTO PISTON (D) - v/HIERRO PISTON (D)	1	SINCE FRAME 9H434747
	15	03A	847006	ARO PISTON PISTON RING	2	UNTIL FRAME 9H434746
	15	03B	877072	ARO PISTON PISTON RING	2	SINCE FRAME 9H434747
	16	07A	847043	DISCO CONDUcido DRIVEN CLUTCH PLATE	3	
	16	08A	847044	SCTO.DISCO CONDUCTOR CLUTCH PLATE	4	
	17	02A	00H02703421	CTO PALANCA CAMBIO GEARSHIFT ASSY.	1	
	18	22A	86177R	PIÑON SALIDA CAMBIO Z-11 GEAR	1	ONLY MODELS 1-2-4-5-A-B-D-E
	18	22B	00H02808371	PIÑON SALIDA CAMBIO Z-12 GEAR	1	ONLY MODELS 3-6-9-C-F
	22	13A	00G03301401	BATERIA 12V BATTERY	1	

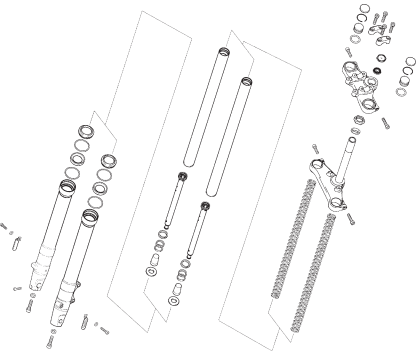
LAMINA / STAMPA / DIAGRAM / BILD / FEUILLE - 1



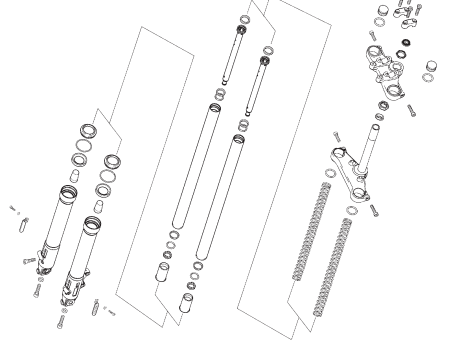
LAMINA / STAMPA / DIAGRAM / BILD / FEUILLE - 2A



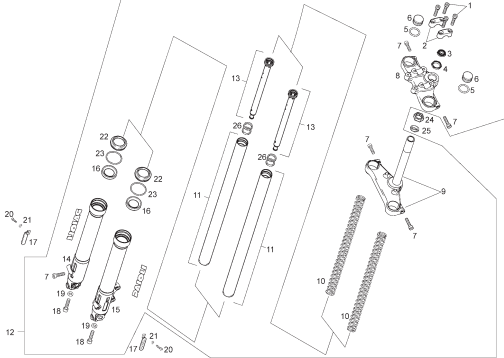
LAMINA / STAMPA / DIAGRAM / BILD / FEUILLE - 2B



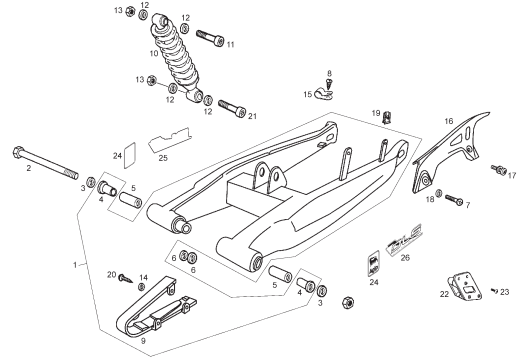
LAMINA / STAMPA / DIAGRAM / BILD / FEUILLE - 2C



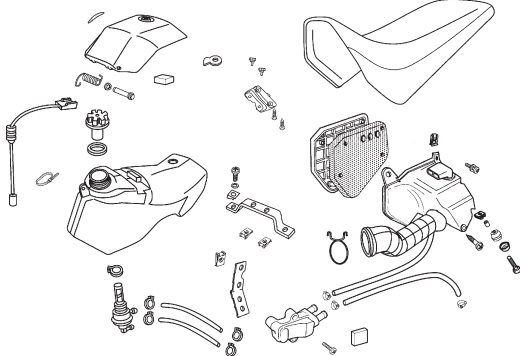
LAMINA / STAMPA / DIAGRAM / BILD / FEUILLE - 2D



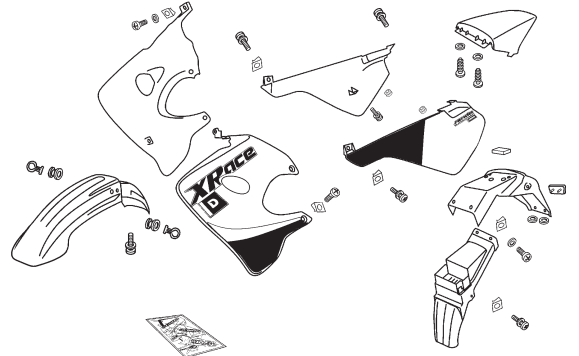
LAMINA / STAMPA / DIAGRAM / BILD / FEUILLE - 3



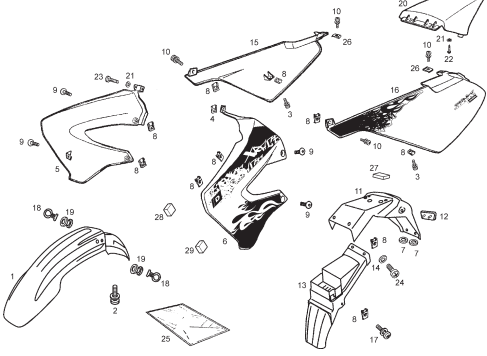
LAMINA / STAMPA / DIAGRAM / BILD / FEUILLE - 4



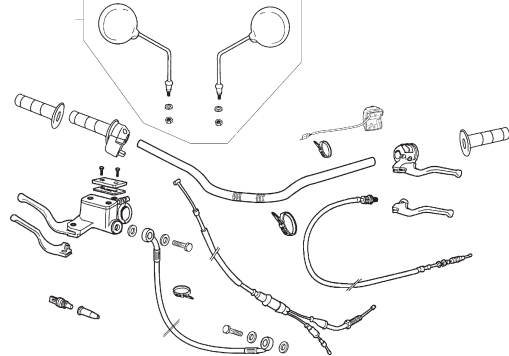
LAMINA / STAMPA / DIAGRAM / BILD / FEUILLE - 5A



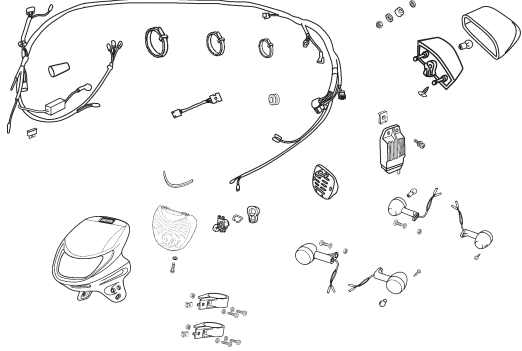
LAMINA/ STAMPA/ DIAGRAM/ BILD/ FEUILLE - 5B



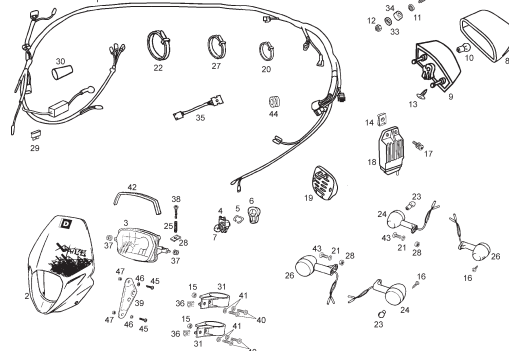
LAMINA/ STAMPA/ DIAGRAM/ BILD/ FEUILLE - 6



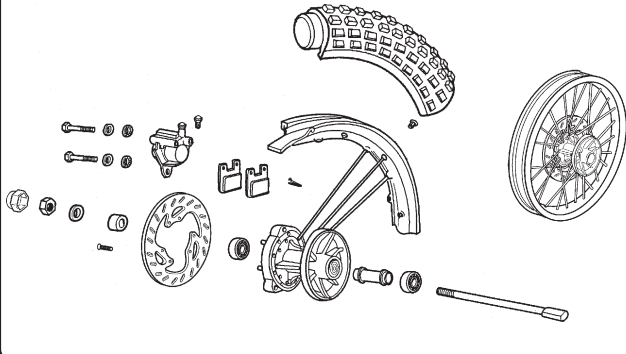
LAMINA/ STAMPA/ DIAGRAM/ BILD/ FEUILLE - 7A



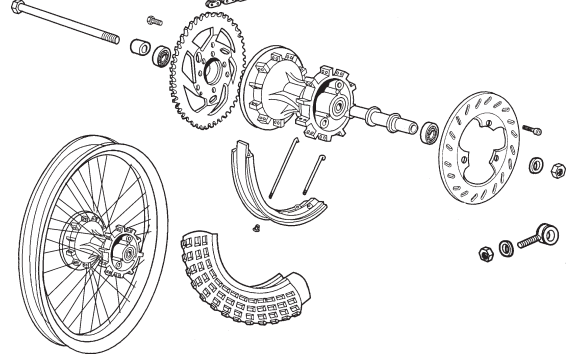
LAMINA/ STAMPA/ DIAGRAM/ BILD/ FEUILLE - 7B



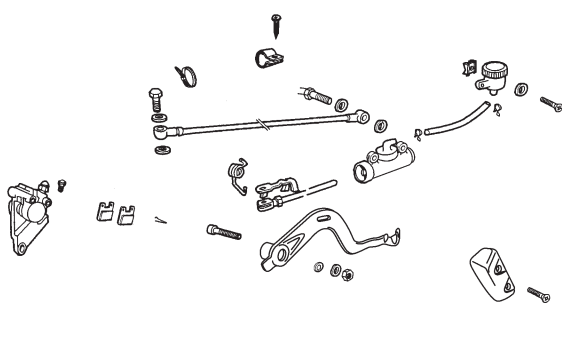
LAMINA/ STAMPA/ DIAGRAM/ BILD/ FEUILLE - 8



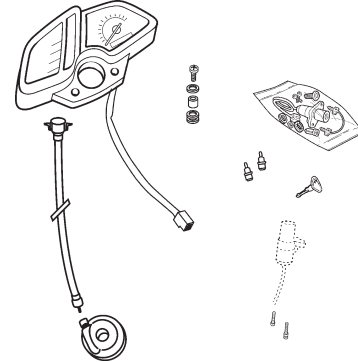
LAMINA/ STAMPA/ DIAGRAM/ BILD/ FEUILLE - 9



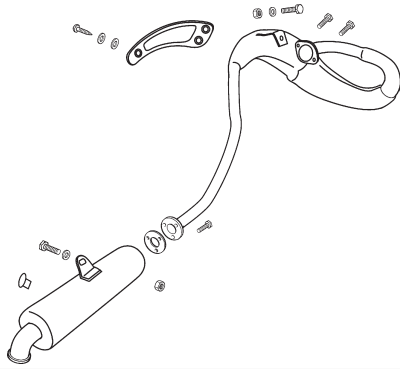
LAMINA/ STAMPA/ DIAGRAM/ BILD/ FEUILLE - 10



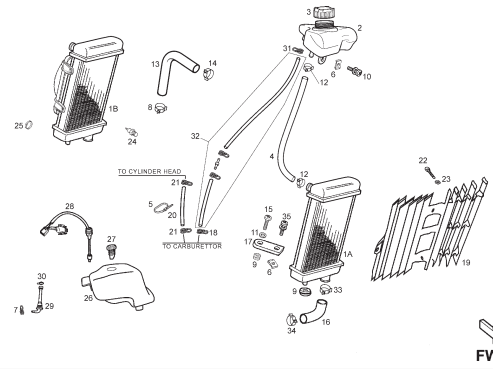
LAMINA/ STAMPA/ DIAGRAM/ BILD/ FEUILLE - 11



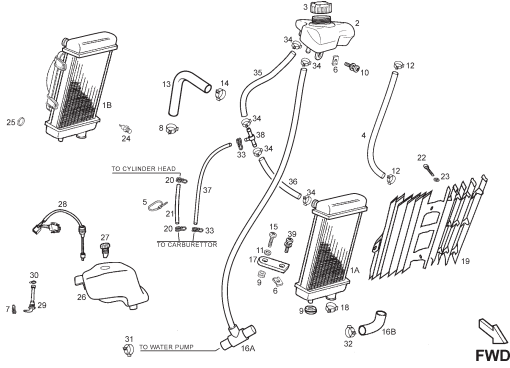
LAMINA / STAMPA / DIAGRAM / BILD / FEUILLE - 12



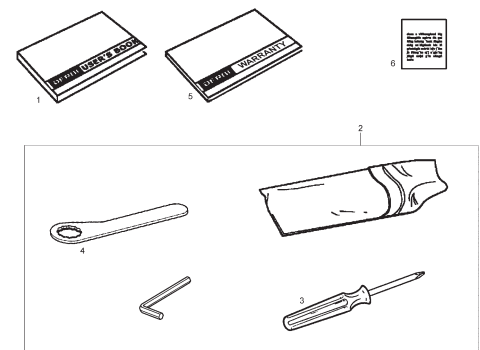
LAMINA / STAMPA / DIAGRAM / BILD / FEUILLE - 13A



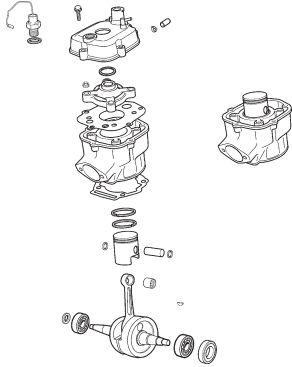
LAMINA / STAMPA / DIAGRAM / BILD / FEUILLE - 13B



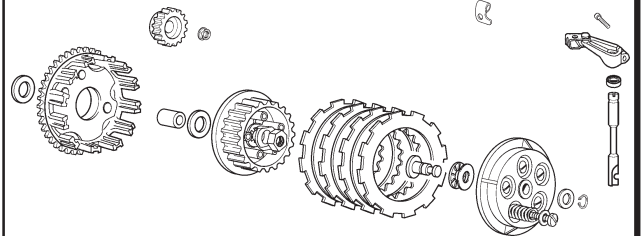
LAMINA / STAMPA / DIAGRAM / BILD / FEUILLE - 14



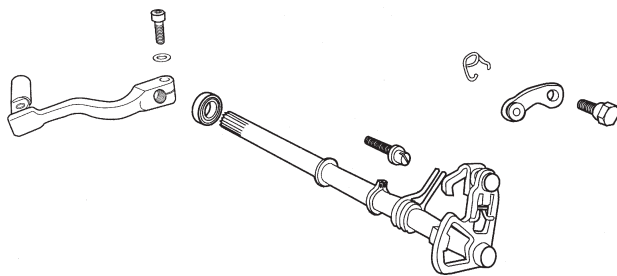
LAMINA / STAMPA / DIAGRAM / BILD / FEUILLE - 15



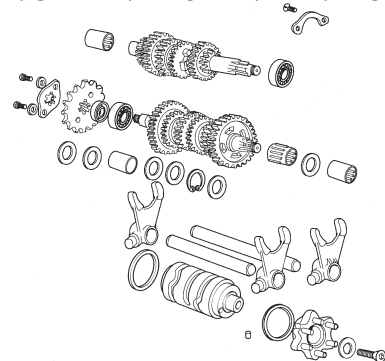
LAMINA / STAMPA / DIAGRAM / BILD / FEUILLE - 16



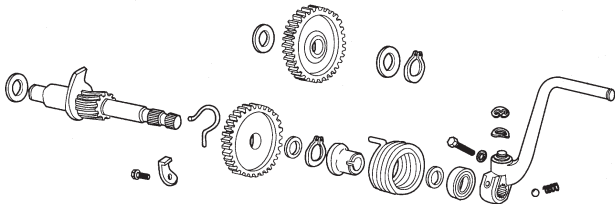
LAMINA / STAMPA / DIAGRAM / BILD / FEUILLE - 17



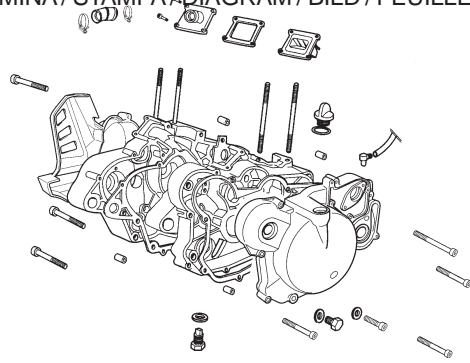
LAMINA / STAMPA / DIAGRAM / BILD / FEUILLE - 18



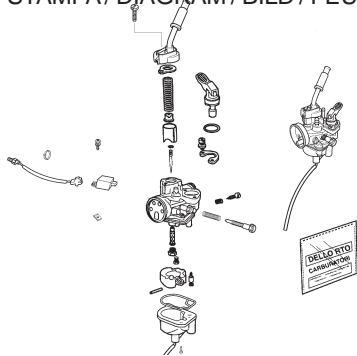
LAMINA / STAMPA / DIAGRAM / BILD / FEUILLE - 19



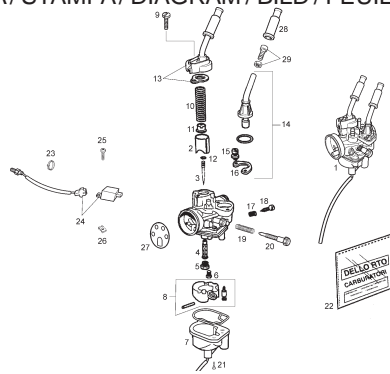
LAMINA / STAMPA / DIAGRAM / BILD / FEUILLE - 20



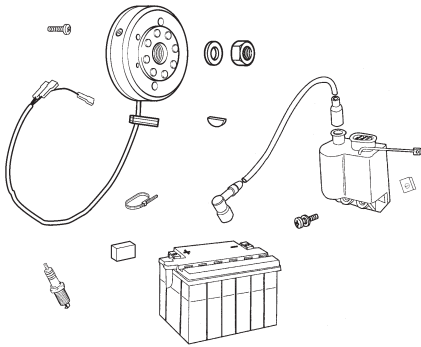
LAMINA / STAMPA / DIAGRAM / BILD / FEUILLE - 21A



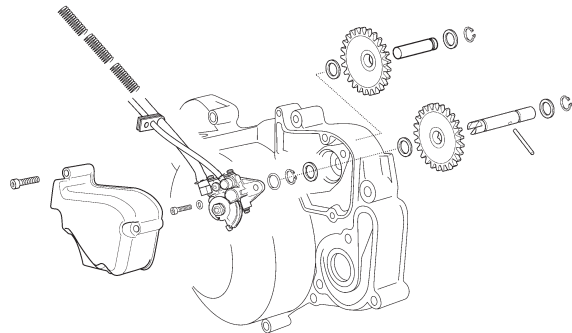
LAMINA / STAMPA / DIAGRAM / BILD / FEUILLE - 21B



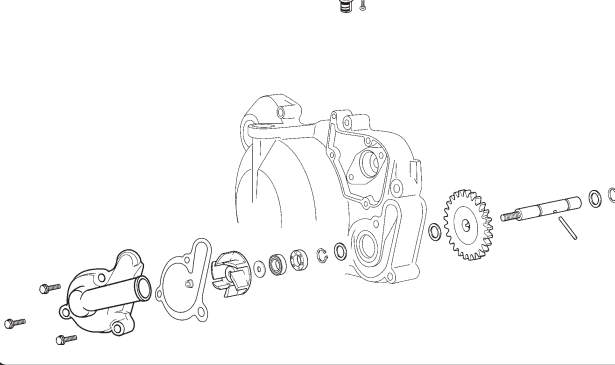
LAMINA / STAMPA / DIAGRAM / BILD / FEUILLE - 22



LAMINA / STAMPA / DIAGRAM / BILD / FEUILLE - 23



LAMINA / STAMPA / DIAGRAM / BILD / FEUILLE - 24



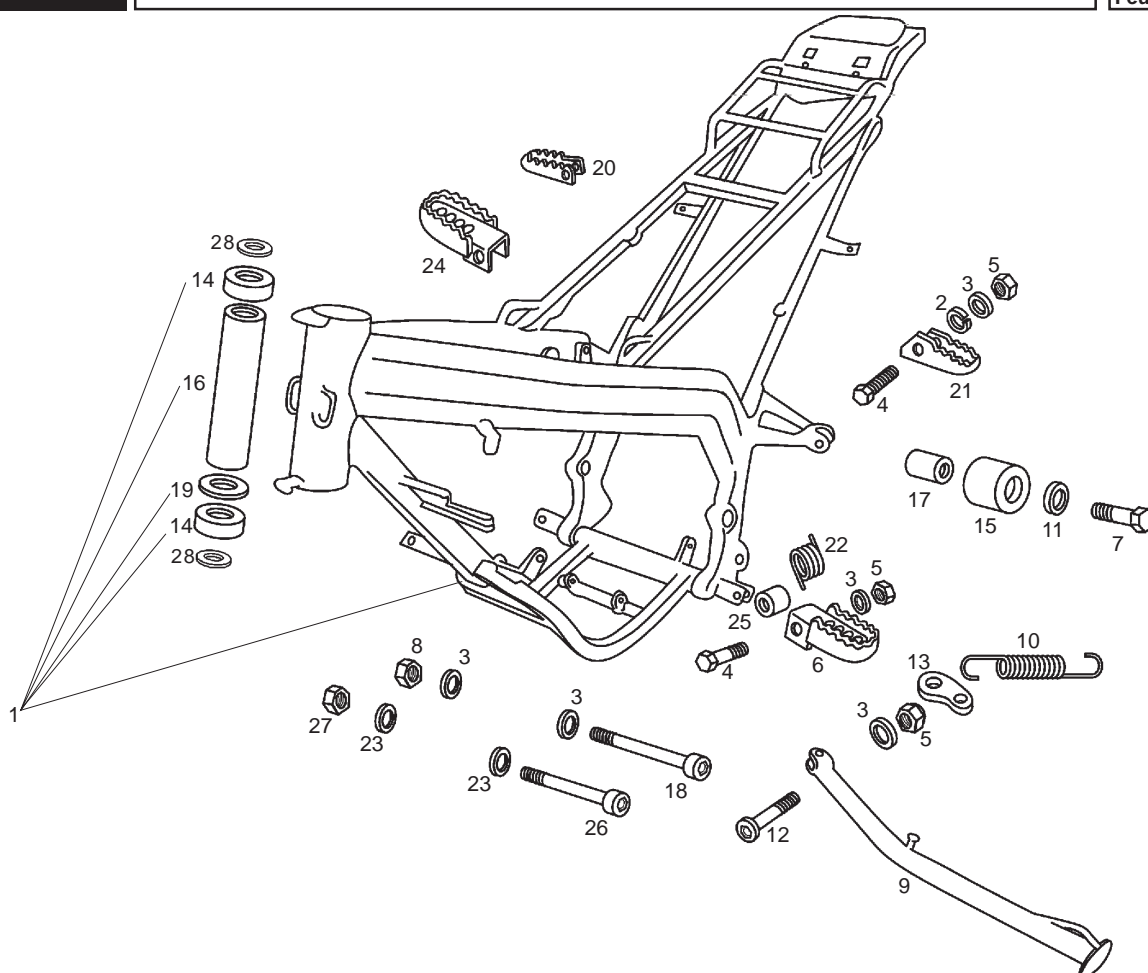


Fig.	Ver.	COD. KOD.	DESCRIPCIÓN DENOMINAZIONE NAME	BEZEICHUNG DESIGNATION	MOD.	NOTAS NOTES NOTA MITSCHRIFT NOTES
01A		00H01961601	CTO CUADRO CON RODAMIENTOS TELAIO FRAME	RAHMEN SOUS ENSEMBLE CADRE	123456 789	
01B		00H01961602	CTO CUADRO CON RODAMIENTOS TELAIO FRAME	RAHMEN SOUS ENSEMBLE CADRE		ABC DEF
01B		00H01961602	CTO CUADRO CON RODAMIENTOS TELAIO FRAME	RAHMEN SOUS ENSEMBLE CADRE		ABC DEF
02A		00036008000	ARANDELA MUELLE RONDELLA WASHER	SCHEIBE RONDELLE	123456 789ABC DEF	
03A		00402080001	ARANDELA D8 RONDELLA WASHER	SCHEIBE RONDELLE	123456 789ABC DEF	
04A		00022084021	TORNILLO C/EXAG. 8M125X40 VITE SCREW	SCHRAUBE VIS	123456 789ABC DEF	
05A		00023108000	TUERCA AUTOBLOCANTE 8M125 DADO NUT	MUTTER ECROU	123456 789ABC DEF	
06A		00H02201312	SCTO. ESTRIBERA IZQUIERDA PILOTO APPOG. SIN. LEFT FOOTREST	FUSSRASTER LINKS REPOSE PIED GAUCHE	123456 789ABC DEF	
07A		00022084521	TORNILLO C/EXAG. 8M125X45 VITE SCREW	SCHRAUBE VIS	123456 789ABC DEF	
08A		00262080022	TUERCA AUTOBLOCANTE 8M125 DADO NUT	MUTTER ECROU	123456 789ABC DEF	
09A		00H00819011	SCTO PATA CABALLETE ZAMPA CAVALETTA SIDE STAN SUB-ASSY	SEITENSTANDER BEQUILLE LATÉRALE	123456 789	

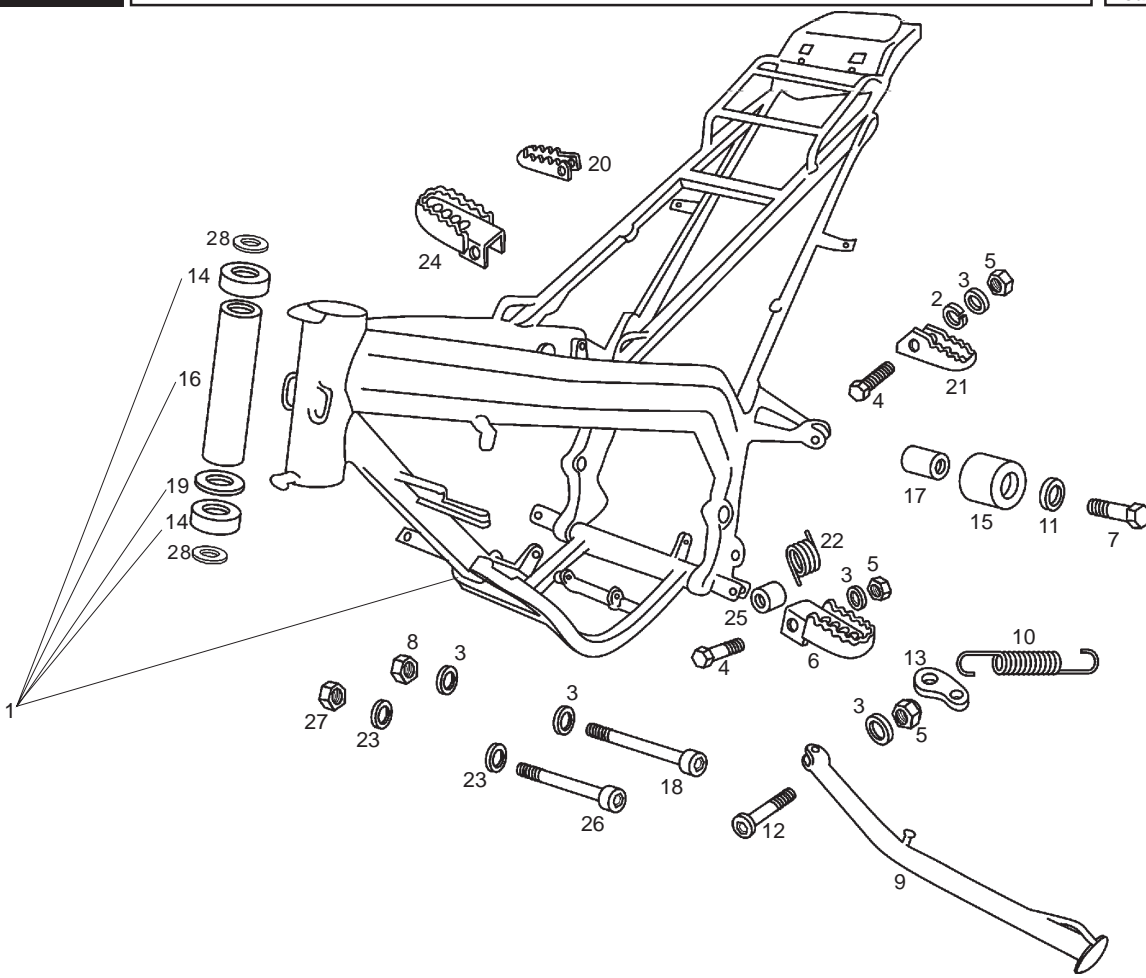


Fig.	Ver.	COD. KOD.	DESCRIPCIÓN DENOMINAZIONE NAME	BEZEICHNUNG DESIGNATION	MOD.	NOTAS NOTES NOTA MITSCHRIFT NOTES
09B		00H00819012A	PATA CABALLETE ZAMPA CAVALETTO SIDE STAN SUB-ASSY	SEITENSTANDER BEQUILLE LATERALE	ABC DEF	
10A		00H00804081	MUELLE PATA CABALLETE MOLLA ZAMPA CAVALLETTO SIDE STAND SPRING	FEDER GESTELLFUSS AUSSEN RESSORT DE BEQUILLE	123456 789ABC DEF	
11A		00003306570	ARANDELA FIJACION RONDELLA WASHER	SCHEIBE RONDELLE	123456 789ABC DEF	
12A		00H00805072	TORNILLO FIJ. PATA CABALLETE VITE SCREW	SCHRAUBE VIS	123456 789ABC DEF	
13A		00H00800422	PLACA RETORNO CABALLETE PIASTRINA RITORNO CAVALLETTO G SPRING KIK-STAND SUPPORT	PLATTE F. GESTELLRUCKFUHRU SUPPORT RESSORT DE BEQUILLE	123456 789ABC DEF	
14A		00000056205	COJINETE CUSCINETTO BEARING	LAGER COUSSINET	123456 789ABC DEF	
15A		00H01801771	RODILLO TENSOR CADENA RULLO TENSORE CATENA CHAIN SUPPORTY GUIDE	ROLLE ROULETTE GUIDE CHAINE	123456 789ABC DEF	
16A		00H06301401	TUBO SEPARADOR RDMTO.DIRECC. TUBO SEPARAZIONE CUSCINETTO ST STEERING BEARING SEPARATOR TUB	DISTANZROHR LENKUNGLAGER TUBE SEPARATION ROULEMENT	123456 789ABC DEF	
17A		00002518790	CASQUILLO GUIA CADENA GHIERA SOCKET CHAIN GUIDE	DISTANZ ENTRETOISE GUIDE CHAINE	123456 789ABC DEF	
18A		00H02500272	TORNILLO INF.MOTOR ALL.8M125X90 VITE SCREW	SCHRAUBE VIS	123456 789ABC DEF	
19A		00H06500451	ARANDELA COJIN.TUBO DIRECCION RONDELLA BRONZINA TUBO STERZO STEERING TUBE BEARING WASHER G	STEERING TUBE BEARING WASHER G RONDELLE COUSSINET TUBE DIRECT	123456 789ABC DEF	

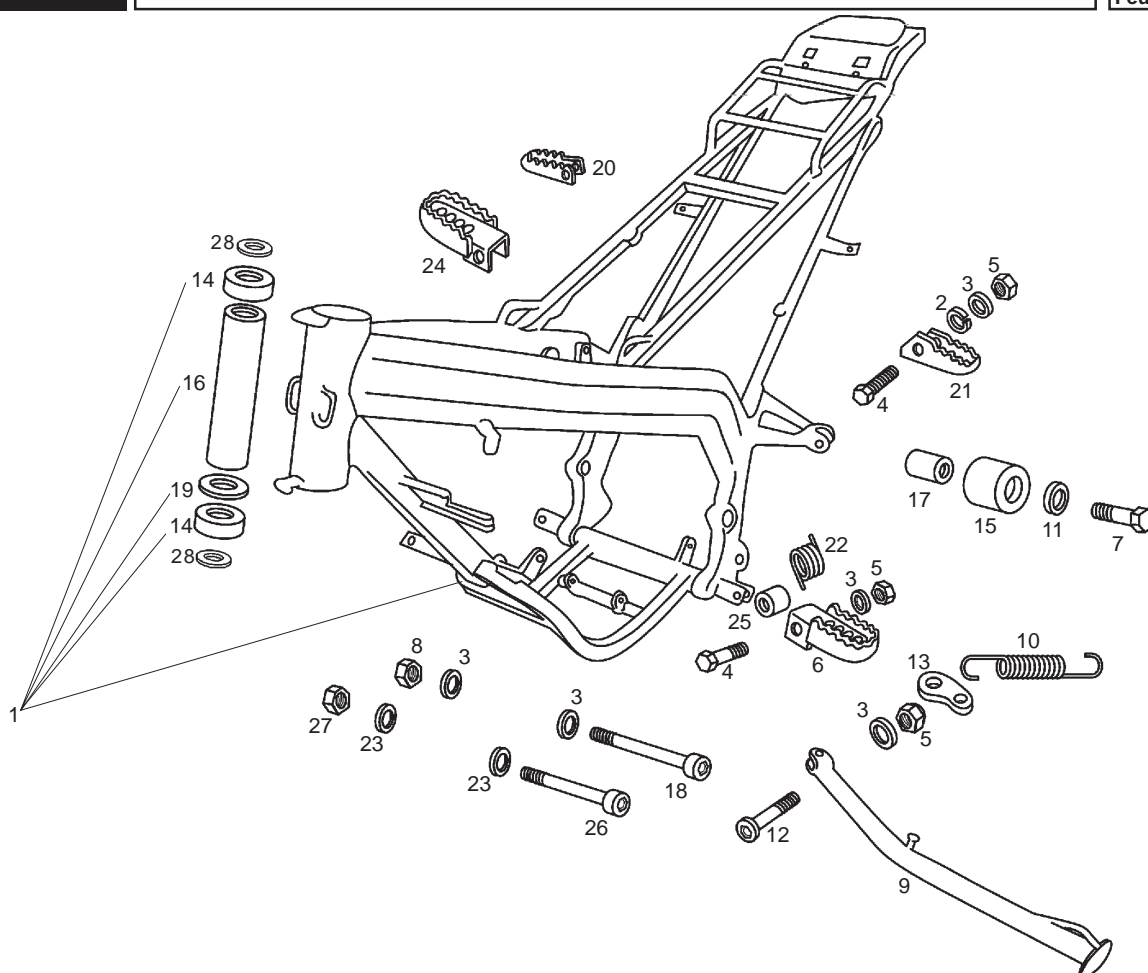
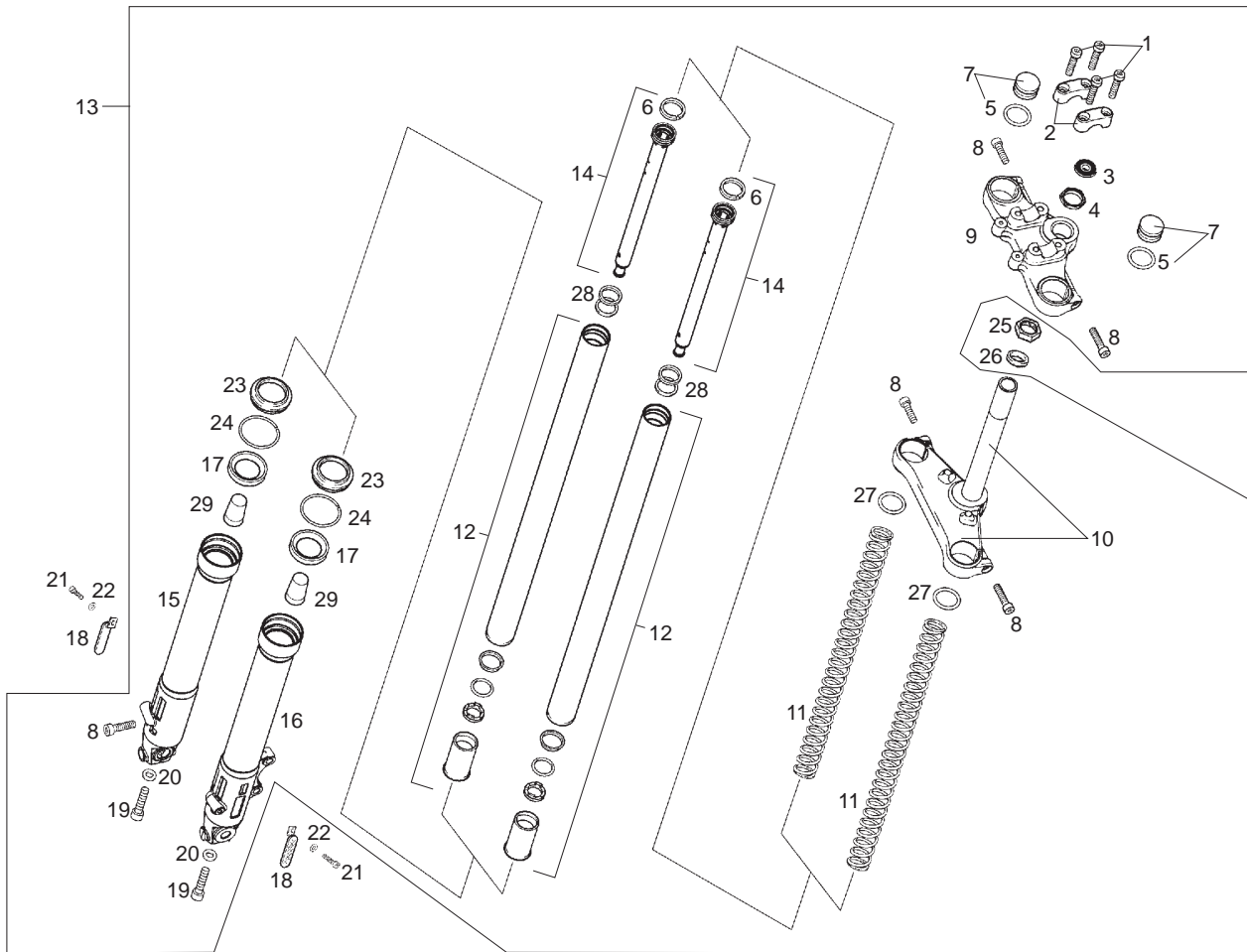


Fig.	Ver.	COD. KOD.	DESCRIPCIÓN DENOMINAZIONE NAME	BEZEICHNUNG DESIGNATION	MOD.	NOTAS NOTES NOTA MITSCHRIFT NOTES
20A		00D01520096	ESTRIBERA DERECHA PASAJERO PEDANA DESTRA RIGHT FOOT REST	FUSSRASTER RECHTS REPOSE-PIED DROIT	123456 789ABC DEF	
21A		00D01540456	ESTRIBERA IZQUIERDA PASAJERO PEDANA SINISTRA LEFT FOOT REST	FUSSRASTER LINKS REPOSE-PIED GAUCHE	123456 789ABC DEF	
22A		00H04903292	MUELLE FIJACION ESTRIBERA MOLLA FISSAGGIO PREDELLINO PILLION FOOTREST SECURING	FEDER RESSORT	123456 789ABC DEF	
23A		00402100001	ARANDELA PLANA D10 RONDELLA WASHER	SCHEIBE RONDELLE	123456 789ABC DEF	
24A		00H02201302	SCTO.ESTRIBERA DERECHA PILOTO APPOG.DES. RIGHT FOOTREST	FUSSRASTER RECHTS REPOSE PIED DROIT	123456 789ABC DEF	
25A		00002215152	CASQUILLO FIJACION ESTRIBERA GIUNTO SEAL	DICHTRING JOINT	123456 789ABC DEF	
26A		00H03000272	TORNILLO FIJ.DT.MTO.ALL.10M150X100 VITE SCREW	SCHRAUBE VIS	123456 789ABC DEF	
27A		00262100032	TUERCA AUTOBLOCANTE 10M150 DADO NUT	MUTTER ECROU	123456 789ABC DEF	
28A		00008902630	ARANDELA RONDELLA WASHER	SCHEIBE RONDELLE	123456 789ABC DEF	BETWEEN 7H351755 7H357380



PAIOLI Ø37

Fig.	Ver.	COD. KOD.	DESCRIPCIÓN DENOMINAZIONE NAME	BEZEICHNUNG DESIGNATION	MOD.	NOTAS NOTES NOTA MITSCHRIFT NOTES
01A		863143	TORNILLO M8X40 VITE SCREW	SCHRAUBE VIS	123 456 789	UNTIL FRAME 7H351754
02A		863144	PUENTE FIJACION MANILLAR CAVALLOTTO CLAMP	BEF.-SCHELLE ENTRETOISE	123 456 789	UNTIL FRAME 7H351754
03A		863145	GUARDAPOLVO PARAPOLVERE DUSTGUARD	STAUBFANGER POUSSIÈRE	123 456 789	UNTIL FRAME 7H351754
04A	00H00204601		TUERCA PLATINA SUPERIOR DADO NUT	MUTTER ECROU	123 456 789	UNTIL FRAME 7H351754
05A		863146	ANILLO TORICO ANELLO TORICO O-RING	O-RING JOINT	123 456 789	UNTIL FRAME 7H351754
06A		863147	ANILLO PISTON HIDRAULICO ANELLO RING	RING JOINT	123 456 789	UNTIL FRAME 7H351754
07A		863148	CTO TAPON PIERNA HORQUILLA TAPPO GAMBA FORCELLA FORK TUBE CAP	PFROPFEN F. GABELSCHENKEL BOUCHON	123 456 789	UNTIL FRAME 7H351754
08A		863149	TORNILLO M8X35 VITE SCREW	SCHRAUBE VIS	123 456 789	UNTIL FRAME 7H351754
09A		863150	PLATINA SUPERIOR FLANGIA SUP. FORCELLA HANDLEBAR LOCK CLAMP	BUGEL ETRIER FIX. GUIDON	123 456 789	UNTIL FRAME 7H351754
10A		863151	CTO TIJA PLATINA FUSTO PIASTRA LOWER TRIPLE CLAMP	SATTELSTANGE PLATINE INF. AVEC PIVOT	123 456 789	UNTIL FRAME 7H351754
11A		863152	MUELLE HORQUILLA MOLLA FORCELLA FORK SPRING	GABELFEDER RESSORT DE FOURCHE	123 456 789	UNTIL FRAME 7H351754

PAIOLI Ø37

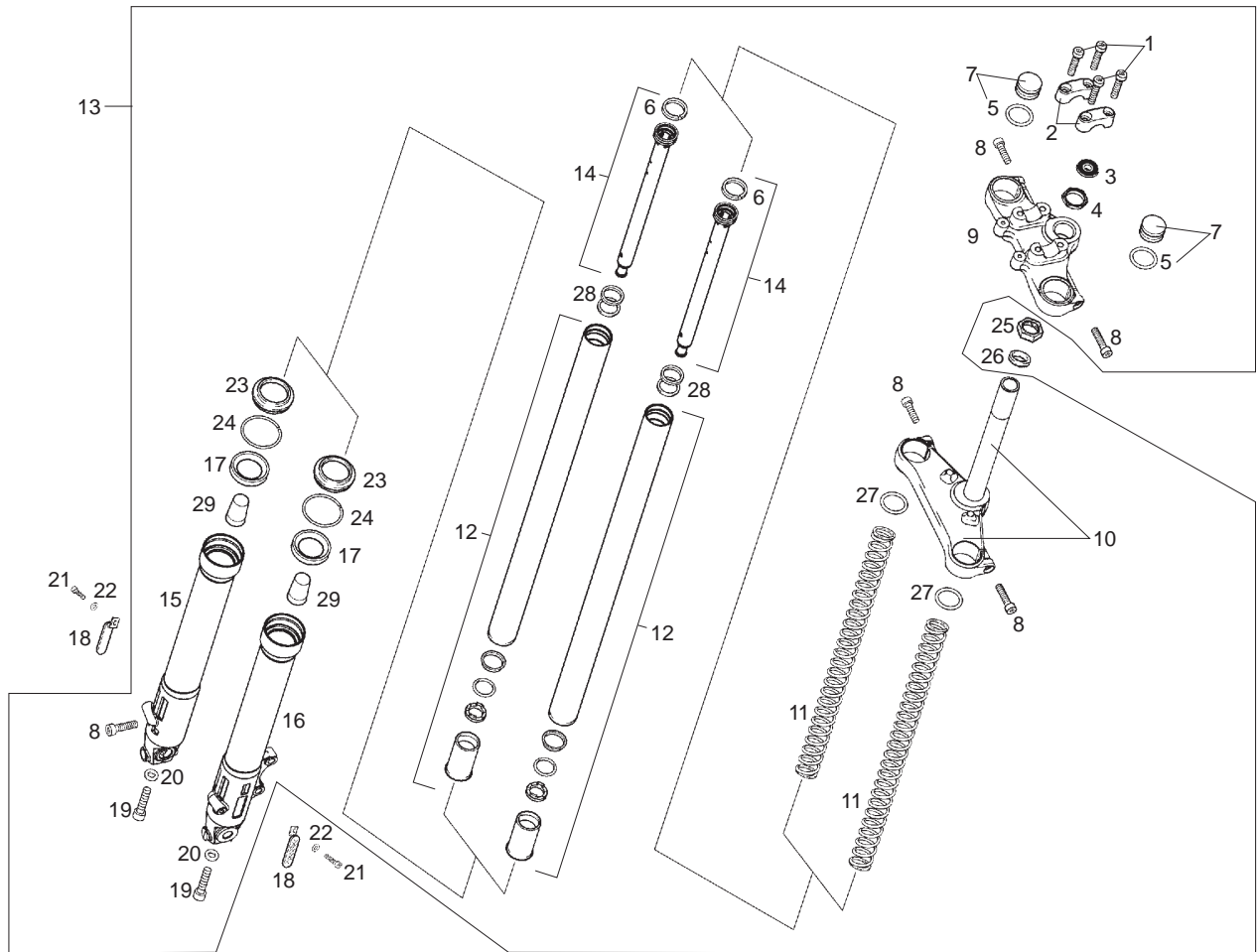
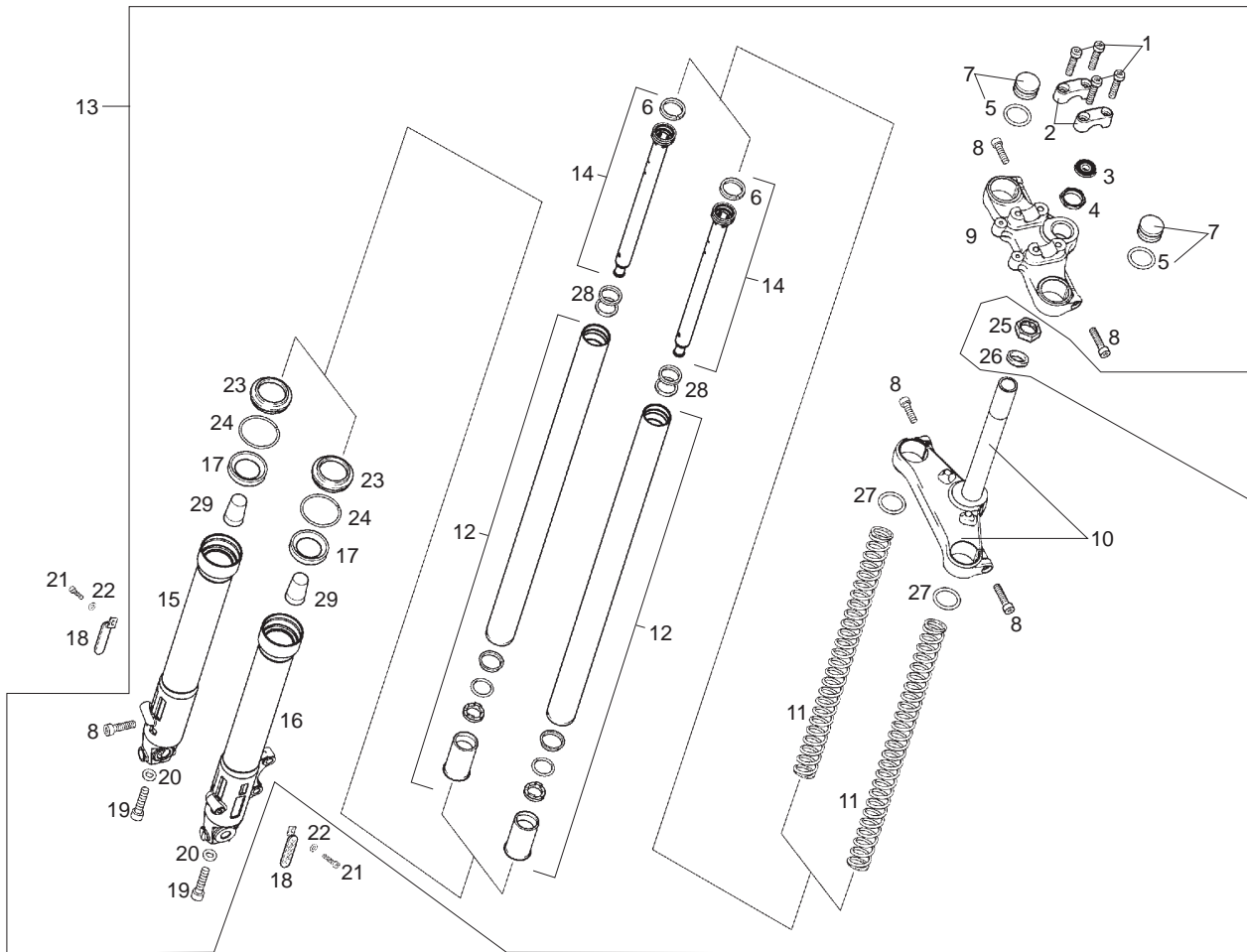


Fig.	Ver.	COD. KOD.	DESCRIPCIÓN DENOMINAZIONE NAME	BEZEICHUNG DESIGNATION	MOD.	NOTAS NOTES NOTA MITSCHRIFT NOTES
12A		863153	CTO BARRA HORQUILLA BARRA GAMBA FORCELLA FORK BAR	GABELSTANKE BARRE DE FOURCHE	123 45 6 789	UNTIL FRAME 7H351754
13A		861001	CTO HORQUILLA FORCELLA DIRETT FORK ASSY	LENKGABEL FOURCHE DIRITICE	123 45 6 789	UNTIL FRAME 7H351754
14A		863154	SCTO TUBO HIDRAULICO TUBO IDRAULICO DAMPER TUBE	HYDRAULIKROHR TUBE HYDRAULIQUE	123 45 6 789	UNTIL FRAME 7H351754
15A		863155	PIERNA HORQUILLA DERECHA GAMBA FORCELLA DE. RH. FORK TUBE LOWER	PFROPFEN F. GABELSCHENKEL RE. BOUCHON DROITE	123 45 6 789	UNTIL FRAME 7H351754
16A		863156	PIERNA HORQUILLA IZQUIERDA GAMBA FORCELLA SI. LH. FORK TUBE LOWER	PFROPFEN F. GABELSCHENKEL LI. BOUCHON GAUCHE	123 45 6 789	UNTIL FRAME 7H351754
17A		863157	RETEN PIERNA HORQUILLA PARAOLIO SEAL	DICHTRING JOINT	123 45 6 789	UNTIL FRAME 7H351754
18A	01	00H01802081	CAPTAFAROS CATARIFRANGENTE REFLECTOR	TRAHLER CATADIOPTRÉ	123 45 6 789	UNTIL FRAME 7H351754
18A		866675	CAPTAFAROS (ADESIVO) CATARIFRANGENTE REFLECTOR	TRAHLER CATADIOPTRÉ	123 45 6 789	UNTIL FRAME 7H351754
19A		863158	TORNILLO M10X35 VITE SCREW	SCHRAUBE VIS	123 45 6 789	UNTIL FRAME 7H351754
20A		863159	ARANDELA COBRE RONDELLA WASHER	SCHEIBE RONDELLE	123 45 6 789	UNTIL FRAME 7H351754
21A		00008061500	TORNILLO C/RED. ALLEN 6M100X16 VITE SCREW	SCHRAUBE VIS	123 45 6 789	UNTIL FRAME 7H351754



PAIOLI Ø37

Fig.	Ver.	COD. KOD.	DESCRIPCIÓN DENOMINAZIONE NAME	BEZEICHNUNG DESIGNATION	MOD.	NOTAS NOTES NOTA MITSCHRIFT NOTES
22A		00031106000	ARANDELA PLANA D6 RONDELLA WASHER	SCHEIBE RONDELLE	12 3 4 5 6 7 8 9	UNTIL FRAME 7H351754
23A		863160	GUARDAPOLVO PIERNA HORQUILLA PARAPOLVERE DUSTGUARD	STAUBFANGER POUSSIÈRE	12 3 4 5 6 7 8 9	UNTIL FRAME 7H351754
24A		863161	ANILLO RETEN ACEITE ANELLO FERMA PARAOLIO O-RING	O-RING JOINT DE JAUGE	12 3 4 5 6 7 8 9	UNTIL FRAME 7H351754
25A		00G00200112	TUERCA FIJACION TIJA DADO NUT	MUTTER ECROU	12 3 4 5 6 7 8 9	UNTIL FRAME 7H351754
26A		00D00200761	GUARDAPOLVO DIRECCION PARAPOLVERE DUSTGUARD	STAUBFANGER POUSSIÈRE	12 3 4 5 6 7 8 9	UNTIL FRAME 7H351754
27A		863162	ARANDELA RONDELLA WASHER	SCHEIBE RONDELLE	12 3 4 5 6 7 8 9	UNTIL FRAME 7H351754
28A		863163	MUELLE PISTON HIDRAULICO MOLLA SPRING	FEDER RESSORT	12 3 4 5 6 7 8 9	UNTIL FRAME 7H351754
29A		863164	CASQUILLO CONICO GHIERA BUSHING	BUCHSE ENTRETOISE	12 3 4 5 6 7 8 9	UNTIL FRAME 7H351754

MARZOCCHI

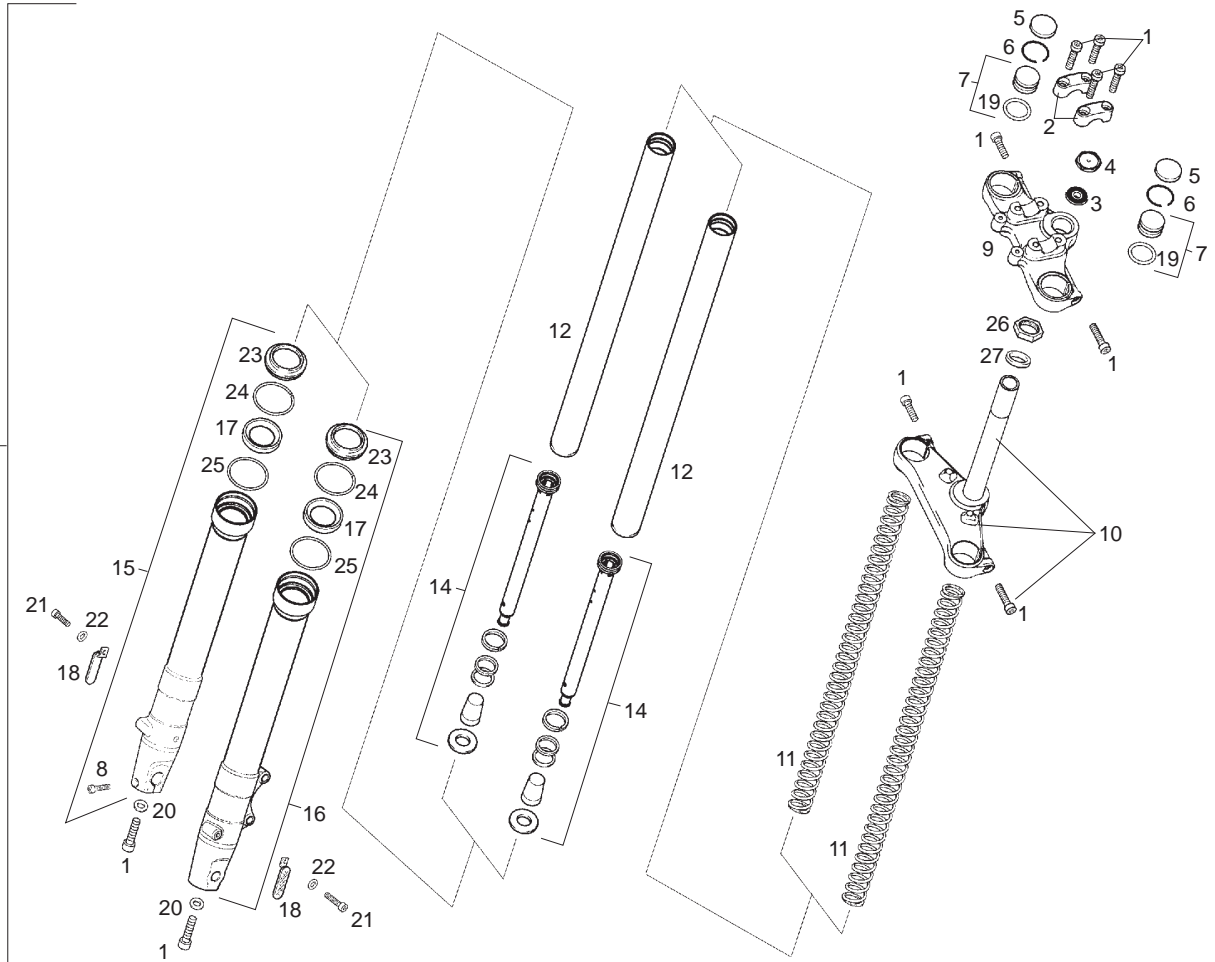
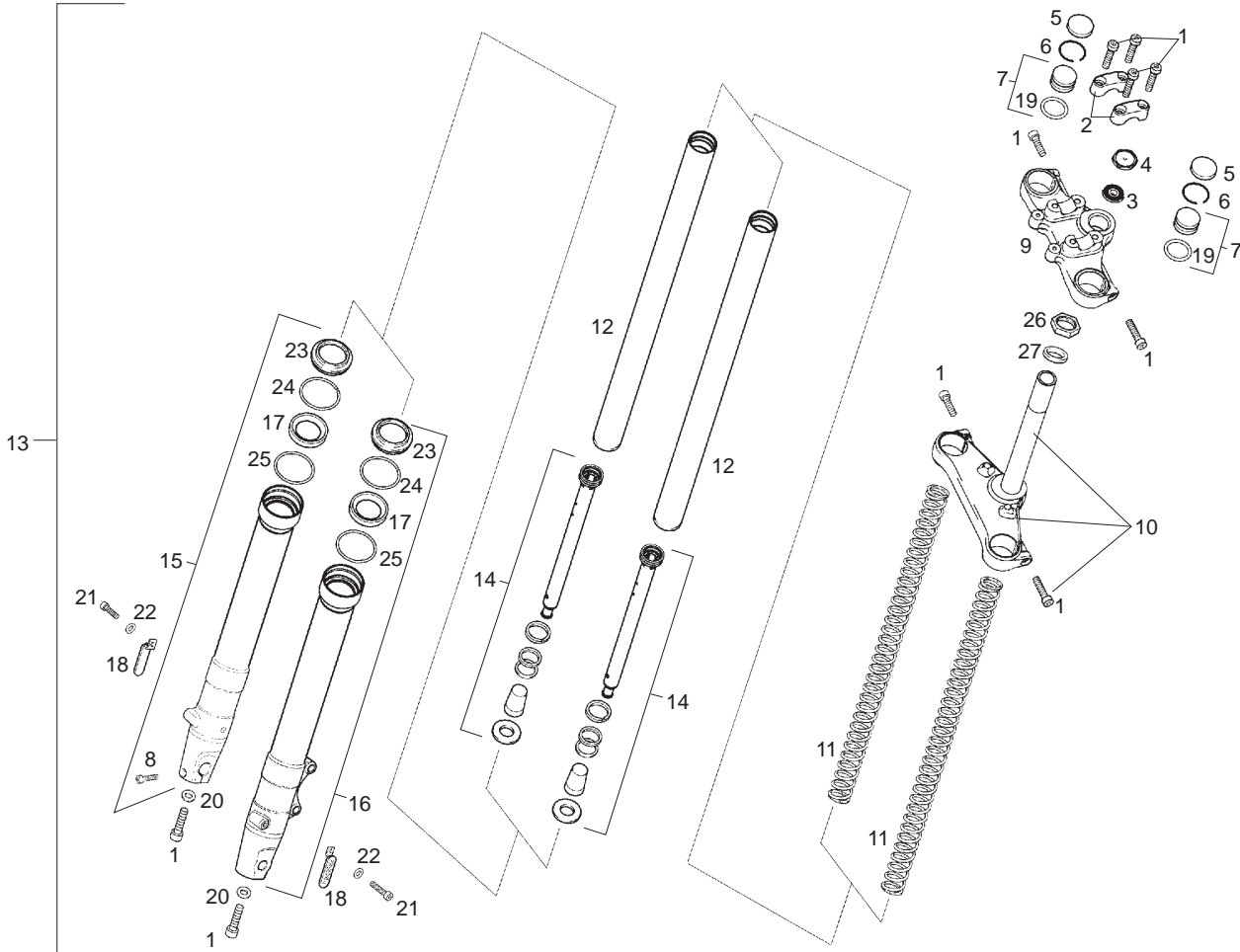


Fig.	Ver.	COD. KOD.	DESCRIPCIÓN DENOMINAZIONE NAME	BEZEICHUNG DESIGNATION	MOD.	NOTAS NOTES NOTA MITSCHRIFT NOTES
01A		0000004830	TORNILLO M8X30 VITE SCREW	SCHRAUBE VIS	123 456 789	BETWEEN 7H351755 7H357380
02A		00H00209741	R-PUENTE FIJACION MANILLAR FLANGIA CLAMP	BEF.-SCHELLE ENTRETOISE	123 456 789	BETWEEN 7H351755 7H357380
03A		00H00202761	TAPON GUARPOLVO TIJA DIREC. PARAPOLVERE SUPL.DUSTGUARD	STAUBFANGER POUSSIÈRE	123 456 789	BETWEEN 7H351755 7H357380
04A		00H00206601	R-TUERCA PLATINA SUPERIOR DADO NUT	MUTTER ECROU	123 456 789	BETWEEN 7H351755 7H357380
05A		00H02004541	R-TAPA TAPON TUBO PIERNA TAPPO RESERVOIR	STOPFEN BOUCHON	123 456 789	BETWEEN 7H351755 7H357380
06A		00H00205501	R-ANILLO TORICO TAPON TUBO PNA. ANELLO TORICO O-RING	O-RING JOINT DE JAUGE	123 456 789	BETWEEN 7H351755 7H357380
07A		00H00209271	R-CTO.TAPON PIERNA HORQ. TAPPO GAMBA FORCELLA FORK TUBE CAP	PFRÖPFEN F. GABELSCHENKEL BOUCHON	123 456 789	BETWEEN 7H351755 7H357380
08A		0000004635	TORNILLO M6X35 VITE SCREW	SCHRAUBE VIS	123 456 789	BETWEEN 7H351755 7H357380
09A		00H00221091	R-PLATINA SUPERIOR FLANGIA SUP. FORCELLA HANDLEBAR LOCK CLAMP	BUGEL ETRIER FIX. GUIDON	123 456 789	BETWEEN 7H351755 7H357380
10A		00H00220011	R-CTO. TIJA PLATINA FUSTO PIASTRA LOWER TRIPLE CLAMP	SATTELSTANGE PLATINE INF. AVEC PIVOT	123 456 789	BETWEEN 7H351755 7H357380
11A		00H00219171	R-MUELLE HORQUILLA MOLLA FORCELLA FORK SPRING	GABELFEDER RESSORT DE FOURCHE	123 456 789	BETWEEN 7H351755 7H357380



MARZOCCHI

Fig.	Ver.	COD. KOD.	DESCRIPCIÓN DENOMINAZIONE NAME	BEZEICHNUNG DESIGNATION	MOD.	NOTAS NOTES NOTA MITSCHRIFT NOTES
12A		00H00208191	R-TUBO PRINCIPAL HORQUILLA BARRA GAMBA FORCELLA FORK BAR	GABELSTANKE BARRE DE FOURCHE	12 3 4 5 6 7 8 9	BETWEEN 7H351755 7H357380
13A		00H00239001	CTO HORQUILLA DIRECTRIZ FORCELLA DIRETT FORK ASSY	LENKGABEL FOURCHE DIRITICE	12 3 4 5 6 7 8 9	BETWEEN 7H351755 7H357380
14A		00H00211531	R-CTO TUBO HIDRAULICO TUBO IDRAULICO DAMPER TUBE	HYDRAULIKROHR TUBE HYDRAULIQUE	12 3 4 5 6 7 8 9	BETWEEN 7H351755 7H357380
15A		00H02017031	R-CTO.PIERNA DR HORQUILLA GAMBA FORCELLA DESTRA RH. FORK TUBE LOWER	PFROPFEN F. GABELSCHENKEL RE. BOUCHON DROITE	12 3 4 5 6 7 8 9	BETWEEN 7H351755 7H357380
16A		00H02025041	R-CTO PIERNA IZQ. HORQUILLA GAMBA FORCELLA SINIISTRA LH. FORK TUBE LOWER	PFROPFEN F. GABELSCHENKEL LI. BOUCHON GAUCHE	12 3 4 5 6 7 8 9	BETWEEN 7H351755 7H357380
17A		00H00206471	R-RETEN PIERNA HORQUILLA GIUNTA SEAL	DICHTRING JOINT	12 3 4 5 6 7 8 9	BETWEEN 7H351755 7H357380
18A		00H01802081	CAPTAFAROS CATARIFRANGENTE REFLECTOR	TRAHLER CATADIOPTRE	12 3 4 5 6 7 8 9	BETWEEN 7H351755 7H357380
19A		00H00202451	R-ARANDELA TAPON TUBO PIERNA RONDELLA WASHER	SCHEIBE RONDELLE	12 3 4 5 6 7 8 9	BETWEEN 7H351755 7H357380
20A		00000031080	ARANDELA PLANA D8 RONDELLA WASHER	SCHEIBE RONDELLE	12 3 4 5 6 7 8 9	BETWEEN 7H351755 7H357380
21A		00008061500	TORNILLO C/RED ALLEN 6M100X16 VITE SCREW	SCHRAUBE VIS	12 3 4 5 6 7 8 9	BETWEEN 7H351755 7H357380
22A		00031106000	ARANDELA PLANA D6 RONDELLA WASHER	SCHEIBE RONDELLE	12 3 4 5 6 7 8 9	BETWEEN 7H351755 7H357380

MARZOCCHI

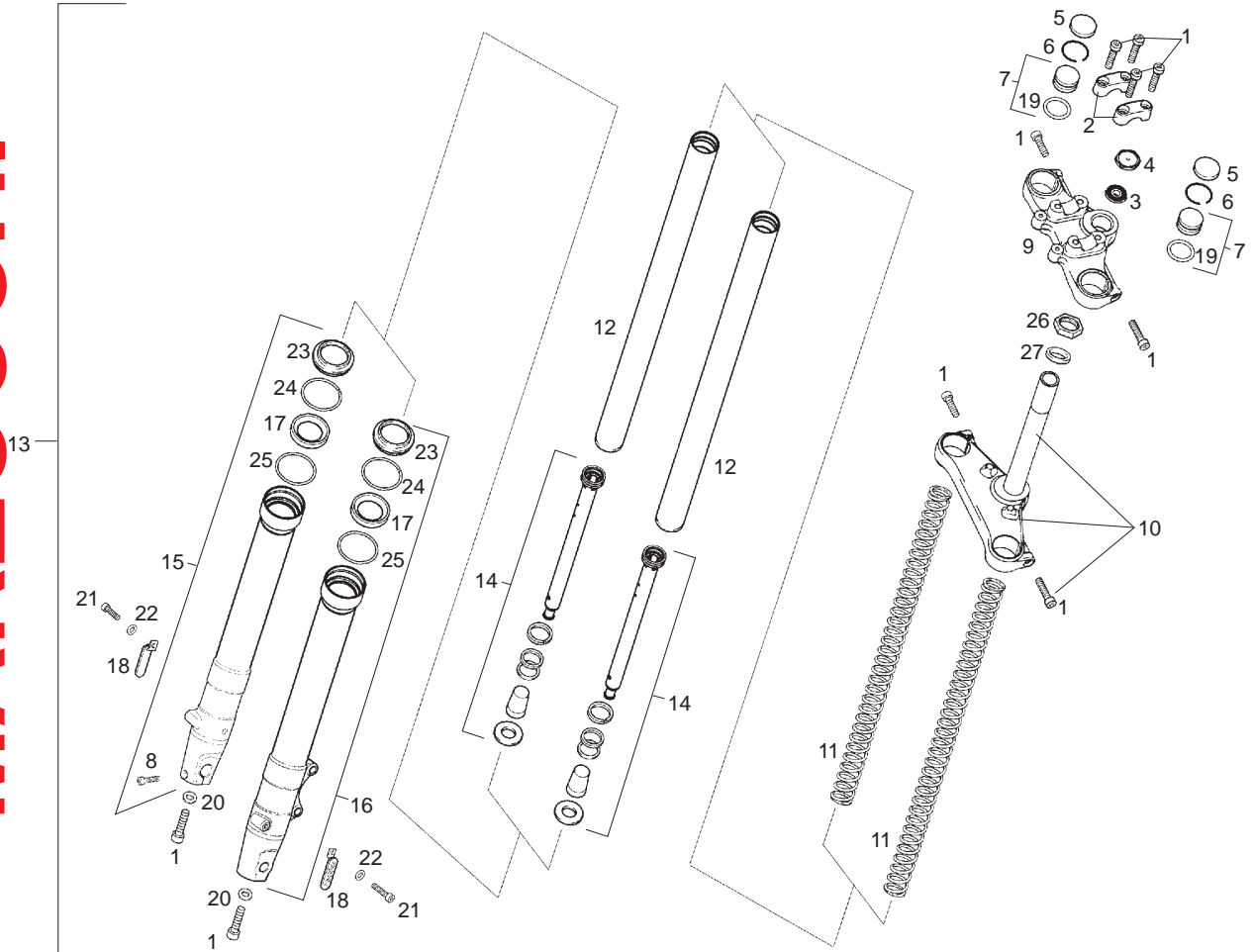
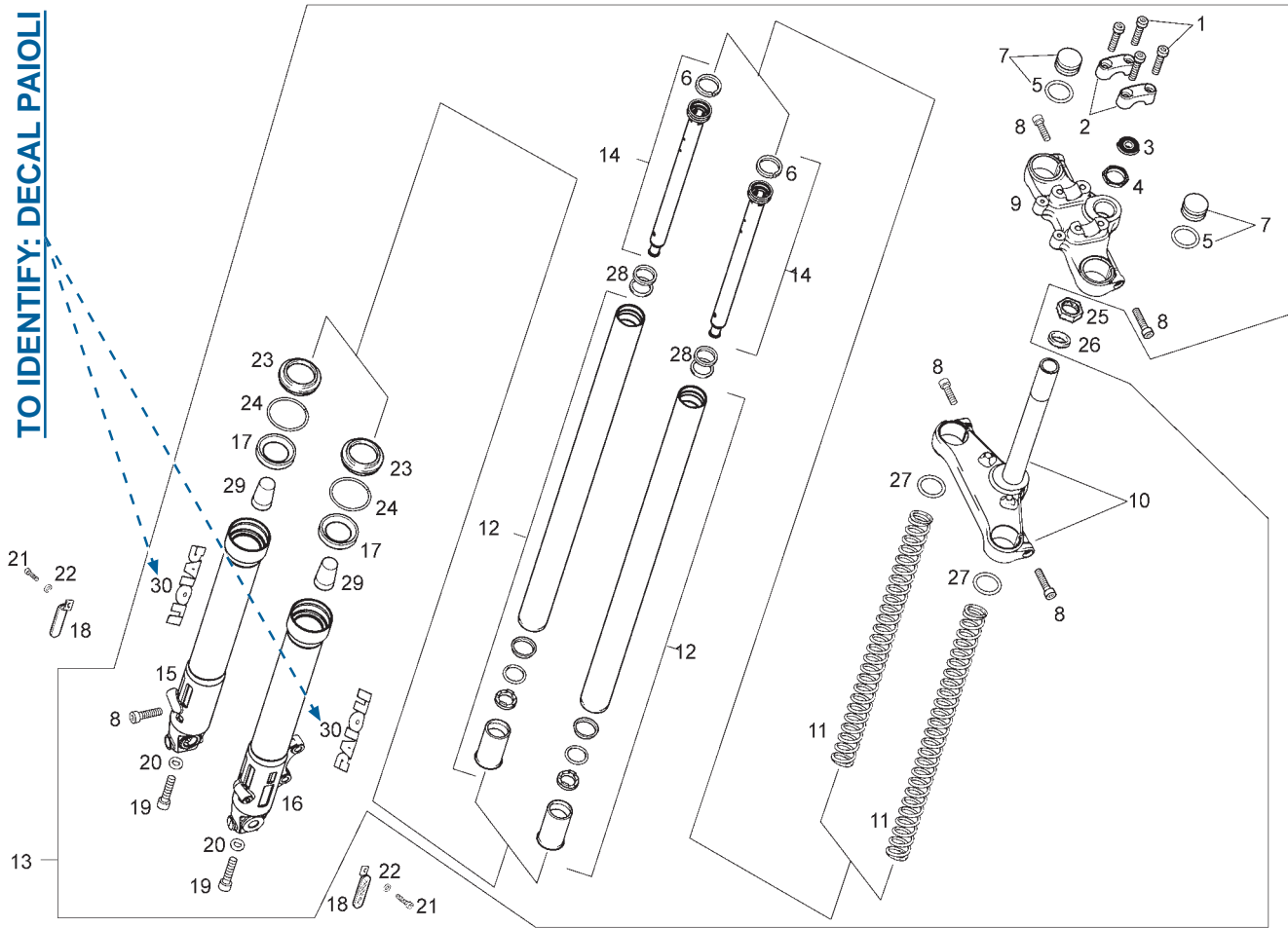


Fig.	Ver.	COD. KOD.	DESCRIPCIÓN DENOMINAZIONE NAME	BEZEICHNUNG DESIGNATION	MOD.	NOTAS NOTES NOTA MITSCHRIFT NOTES
23A		00H00207231	R-GUARDAPOLVO PIERNA HORQUILLA PARAPOLVERE DUSTGUARD	STAUBFANGER POUSSIÈRE	12 3 4 5 6 7 8 9	BETWEEN 7H351755 7H357380
24A		00H00203701	R-ANILLO RETEN ACEITE ANELLO TORICO O-RING	O-RING JOINT DE JAUGE	12 3 4 5 6 7 8 9	BETWEEN 7H351755 7H357380
25A		00H00202441	R-ARANDELA CASQUILLO GUIA PIERNA RONDELLA WASHER	SCHEIBE RONDELLE	12 3 4 5 6 7 8 9	BETWEEN 7H351755 7H357380
26A		00G00200112	TUERCA FIJACION TIJA DADO NUT	MUTTER ECROU	12 3 4 5 6 7 8 9	BETWEEN 7H351755 7H357380
27A		00D00200761	R-GUARDAPOLVO DIRECCION PARAPOLVERE DUSTGUARD	STAUBFANGER POUSSIÈRE	12 3 4 5 6 7 8 9	BETWEEN 7H351755 7H357380

TO IDENTIFY: DECAL PAIOLI



PAIOLI Ø37

Fig.	Ver.	COD. KOD.	DESCRIPCIÓN DENOMINAZIONE NAME	BEZEICHUNG DESIGNATION	MOD.	NOTAS NOTES NOTA MITSCHRIFT NOTES
01A		863143	TORNILLO M8X40 VITE SCREW	SCHRAUBE VIS	12 3 4 5 6 7 8 9 ABC DEF	SINCE FRAME 7H357381
02A		863144	PUENTE FIJACION MANILLAR CAVALLOTTO CLAMP	BEF.-SCHELLE ENTRETOISE	12 3 4 5 6 7 8 9 ABC DEF	SINCE FRAME 7H357381
03A		863145	GUARDAPOLVO PARAPOLVERE DUSTGUARD	STAUBFANGER POUSSIÈRE	12 3 4 5 6 7 8 9 ABC DEF	SINCE FRAME 7H357381
04A	00H00204601		TUERCA PLATINA SUPERIOR DADO NUT	MUTTER ECROU	12 3 4 5 6 7 8 9 ABC DEF	SINCE FRAME 7H357381
05A		863146	ANILLO TORICO ANELLO TORICO O-RING	O-RING JOINT	12 3 4 5 6 7 8 9 ABC DEF	SINCE FRAME 7H357381
06A		863147	ANILLO PISTON HIDRAULICO ANELLO RING	RING JOINT	12 3 4 5 6 7 8 9 ABC DEF	SINCE FRAME 7H357381
07A		863148	CTO TAPON PIERNA HORQUILLA TAPPO GAMBA FORCELLA FORK TUBE CAP	PFROPFEN F. GABELSCHENKEL BOUCHON	12 3 4 5 6 7 8 9 ABC DEF	SINCE FRAME 7H357381
08A		863149	TORNILLO M8X35 VITE SCREW	SCHRAUBE VIS	12 3 4 5 6 7 8 9 ABC DEF	SINCE FRAME 7H357381
09A		863150	PLATINA SUPERIOR FLANGIA SUP. FORCELLA HANDLEBAR LOCK CLAMP	BUGEL ETRIER FIX. GUIDON	12 3 4 5 6 7 8 9 ABC DEF	SINCE FRAME 7H357381
10A		863151	CTO TIJA PLATINA FUSTO PIASTRA LOWER TRIPLE CLAMP	SATTELSTANGE PLATINE INF. AVEC PIVOT	12 3 4 5 6 7 8 9 ABC DEF	SINCE FRAME 7H357381
11A		863152	MUELLE HORQUILLA MOLLA FORCELLA FORK SPRING	GABELFEDER RESSORT DE FOURCHE	12 3 4 5 6 7 8 9 ABC DEF	SINCE FRAME 7H357381

PAIOLI Ø37

TO IDENTIFY: DECAL PAIOLI

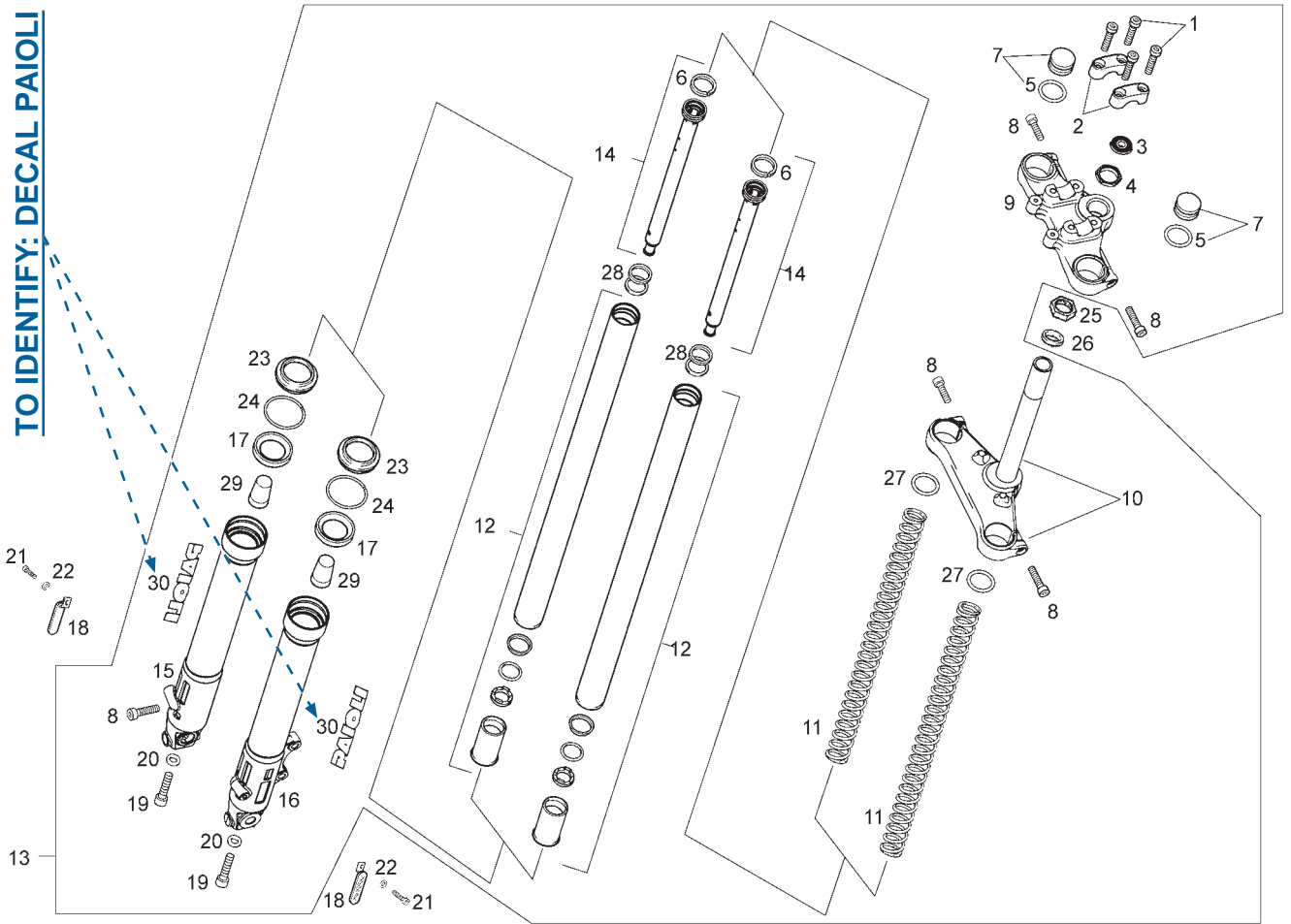
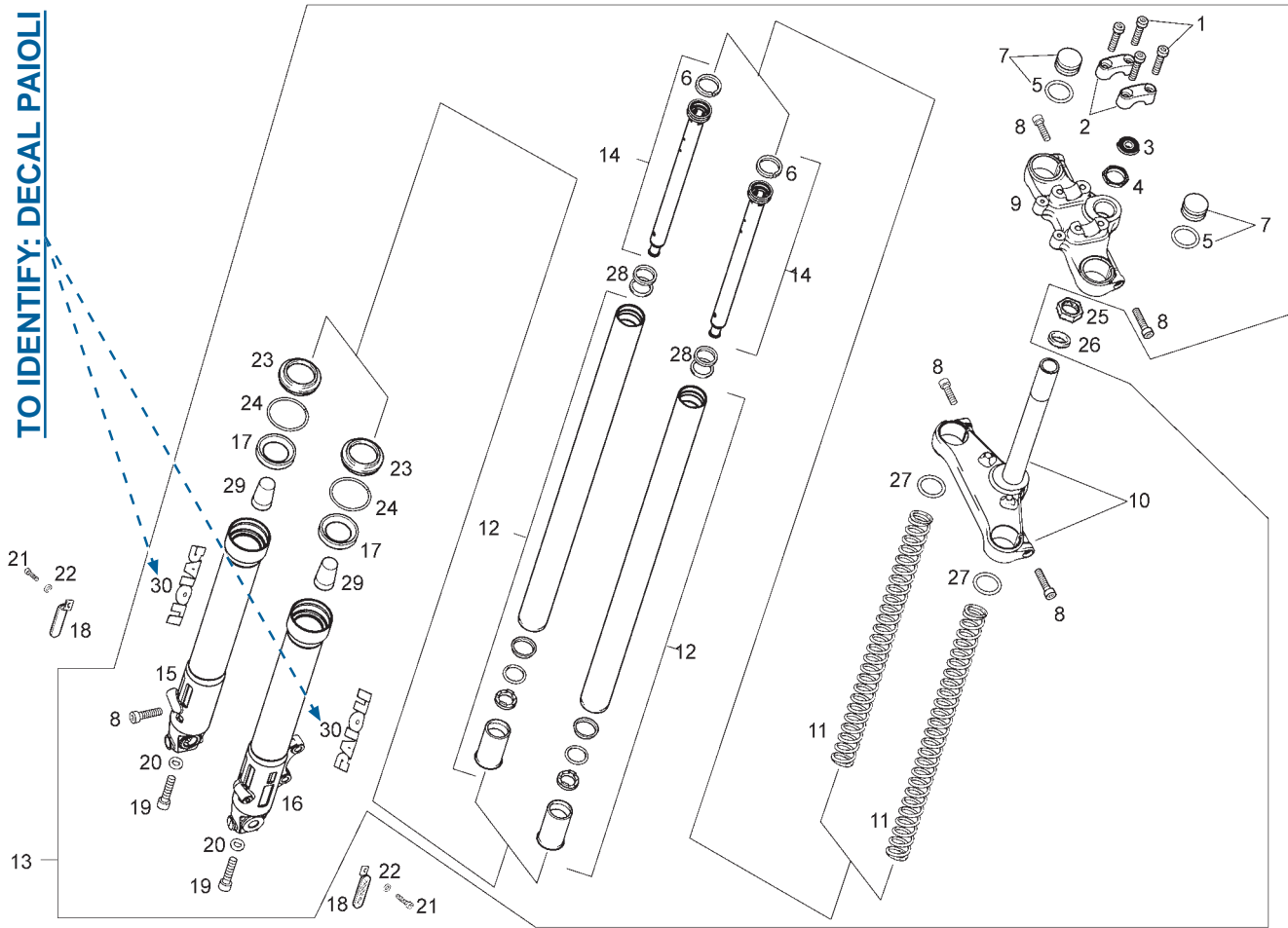


Fig.	Ver.	COD. KOD.	DESCRIPCIÓN DENOMINAZIONE NAME	BEZEICHUNG DESIGNATION	MOD.	NOTAS NOTES NOTA MITSCHRIFT NOTES
12A		863153	CTO BARRA HORQUILLA BARRA GAMBA FORCELLA FORK BAR	GABELSTANKE BARRE DE FOURCHE	123 456 789 ABC DEF	SINCE FRAME 7H357381
13A		861001	CTO HORQUILLA FORCELLA DIRETT FORK ASSY	LENGGABEL FOURCHE DIRITICE	123 456 789 ABC DEF	SINCE FRAME 7H357381
14A		863154	SCTO TUBO HIDRAULICO TUBO IDRAULICO DAMPER TUBE	HYDRAULIKROHR TUBE HYDRAULIQUE	123 456 789 ABC DEF	SINCE FRAME 7H357381
15A		863155	PIERNA HORQUILLA DERECHA GAMBA FORCELLA DE. RH. FORK TUBE LOWER	PFROPFEN F. GABELSCHENKEL RE. BOUCHON DROITE	123 456 789 ABC DEF	SINCE FRAME 7H357381
16A		863156	PIERNA HORQUILLA IZQUIERDA GAMBA FORCELLA SI. LH. FORK TUBE LOWER	PFROPFEN F. GABELSCHENKEL LI. BOUCHON GAUCHE	123 456 789 ABC DEF	SINCE FRAME 7H357381
17A		863157	RETEN PIERNA HORQUILLA PARAOLIO SEAL	DICHTRING JOINT	123 456 789 ABC DEF	SINCE FRAME 7H357381
18A		00H01802081	CAPTAFAROS CATARIFRANGENTE REFLECTOR	TRAHLER CATADIOPTRÉ	123 456 789 ABC DEF	SINCE FRAME 7H357381
19A		863158	TORNILLO M10X35 VITE SCREW	SCHRAUBE VIS	123 456 789 ABC DEF	SINCE FRAME 7H357381
20A		863159	ARANDELA COBRE RONDELLA WASHER	SCHEIBE RONDELLE	123 456 789 ABC DEF	SINCE FRAME 7H357381
21A		00008061500	TORNILLO C/RED. ALLEN 6M100X16 VITE SCREW	SCHRAUBE VIS	123 456 789 ABC DEF	SINCE FRAME 7H357381
22A		00031106000	ARANDELA PLANA D6 RONDELLA WASHER	SCHEIBE RONDELLE	123 456 789 ABC DEF	SINCE FRAME 7H357381

TO IDENTIFY: DECAL PAIOLI



PAIOLI Ø37

Fig.	Ver.	COD. KOD.	DESCRIPCIÓN DENOMINAZIONE NAME	BEZEICHNUNG DESIGNATION	MOD.	NOTAS NOTES NOTA MITSCHRIFT NOTES
23A		863160	GUARDAPOLVO PIERNA HORQUILLA PARAPOLVERE DUSTGUARD	STAUBFANGER POUSSIERE	12 3 4 5 6 7 8 9 ABC DEF	SINCE FRAME 7H357381
24A		863161	ANILLO RETEN ACEITE ANELLO FERMA PARAOLIO O-RING	O-RING JOINT DE JAUGE	12 3 4 5 6 7 8 9 ABC DEF	SINCE FRAME 7H357381
25A		00G00200112	TUERCA FIJACION TIJA DADO NUT	MUTTER ECROU	12 3 4 5 6 7 8 9 ABC DEF	SINCE FRAME 7H357381
26A		00D00200761	GUARDAPOLVO DIRECCION PARAPOLVERE DUSTGUARD	STAUBFANGER POUSSIERE	12 3 4 5 6 7 8 9 ABC DEF	SINCE FRAME 7H357381
27A		863162	ARANDELA RONDELLA WASHER	SCHEIBE RONDELLE	12 3 4 5 6 7 8 9 ABC DEF	SINCE FRAME 7H357381
28A		863163	MUELLE PISTON HIDRAULICO MOLLA SPRING	FEDER RESSORT	12 3 4 5 6 7 8 9 ABC DEF	SINCE FRAME 7H357381
29A		863164	CASQUILLO CONICO GHIERA BUSHING	BUCHSE ENTRETOISE	12 3 4 5 6 7 8 9 ABC DEF	SINCE FRAME 7H357381
30A		00H02000051	CALCA «PAIOLI» PIERNA HORQUILLA ADESIVO DECAL	SCHRIFTZUG ADHESIF	12 3 4 5 6 7 8 9 ABC DEF	SINCE FRAME 7H357381

ESCORTS

TO IDENTIFY: NO DECAL PAIOLI

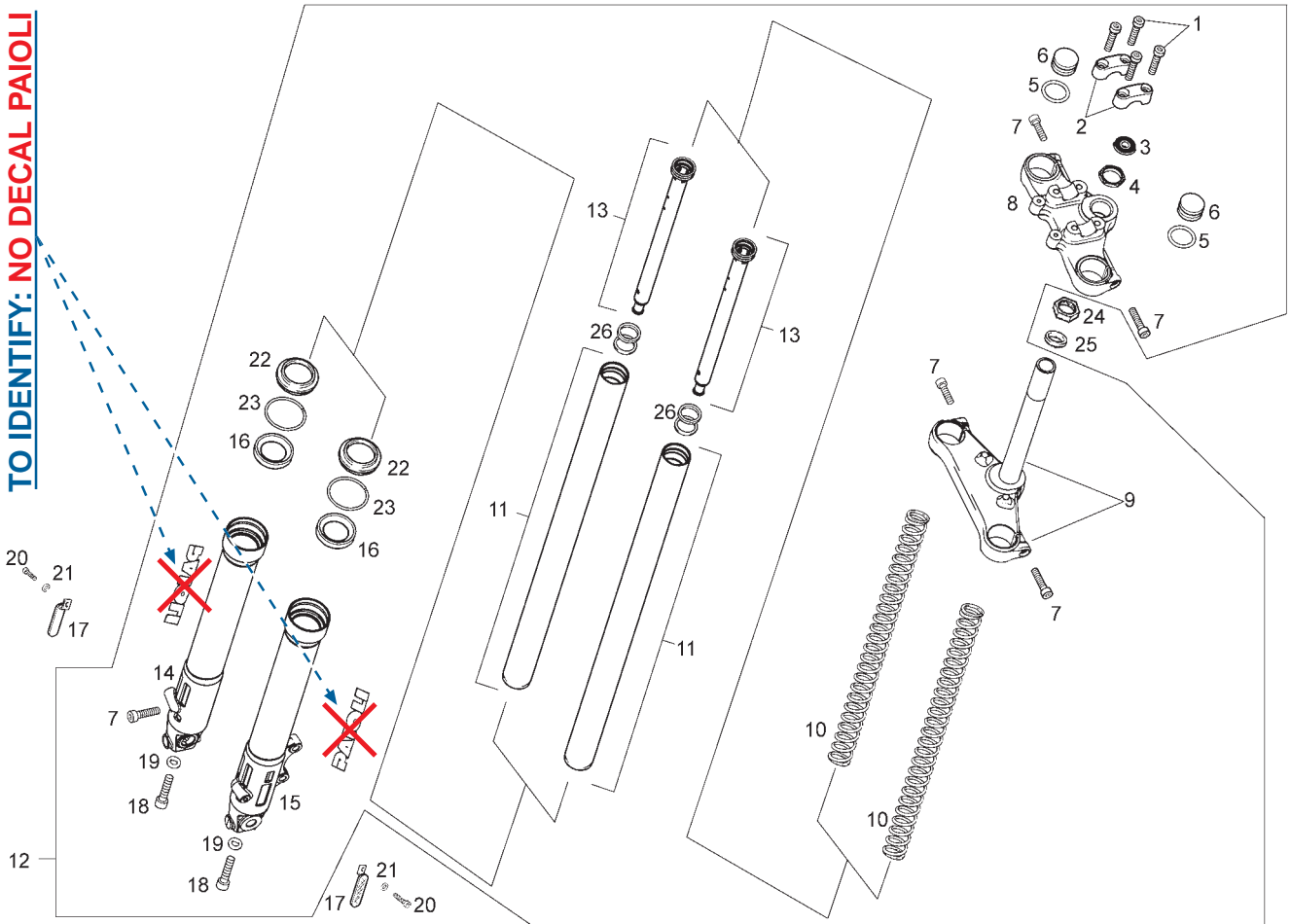
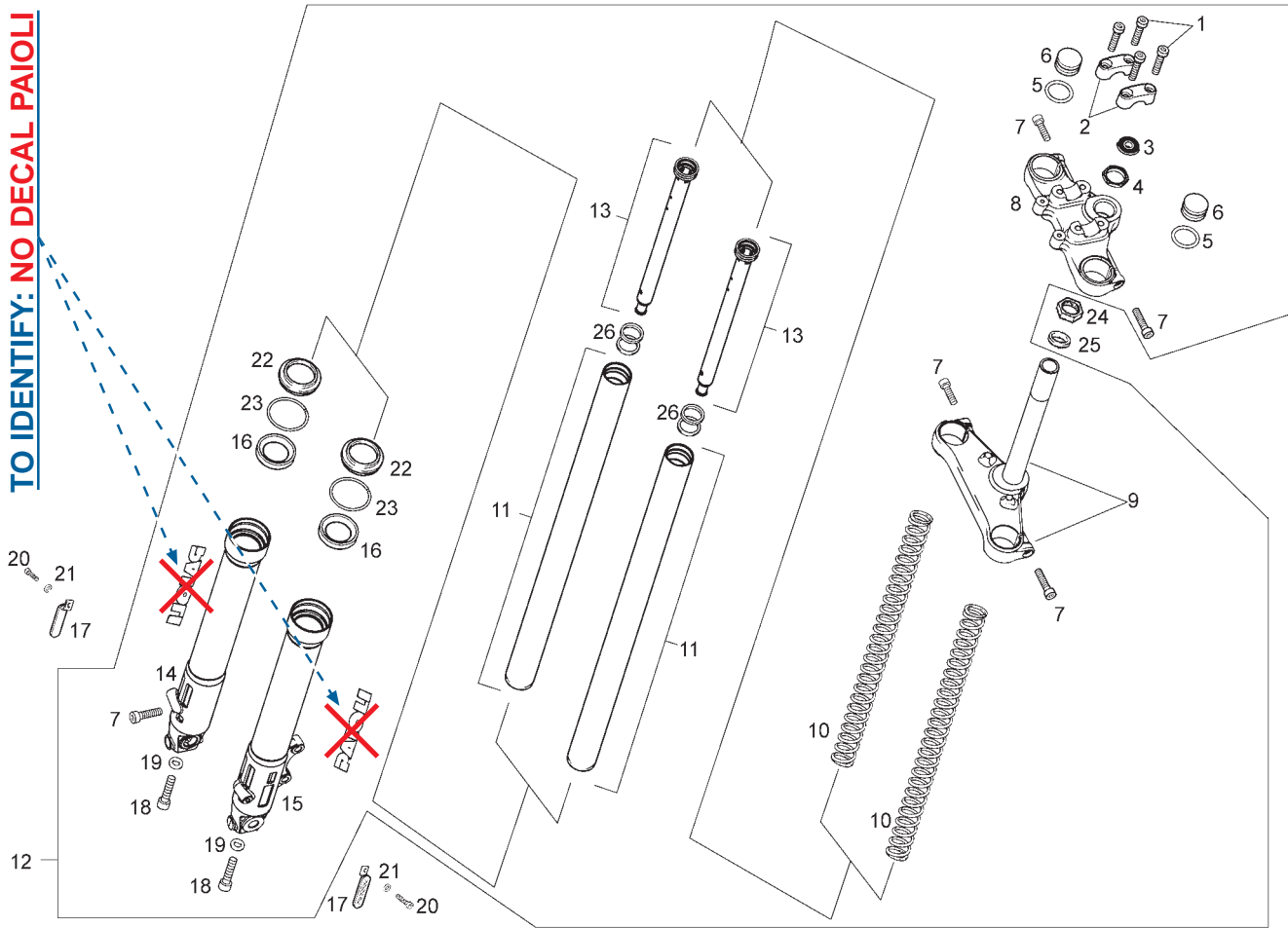


Fig.	Ver.	COD. KOD.	DESCRIPCIÓN DENOMINAZIONE NAME	BEZEICHUNG DESIGNATION	MOD.	NOTAS NOTES NOTA MITSCHRIFT NOTES
01A		866582	TORNILLO ALLEN M8x35 VITE SCREW	SCHRAUBE VIS	123 456 789ABC DEF	
02A		866579	PUENTE FIJACION MANILLAR CAVALLOTTO CLAMP	BEF.-SCHELLE ENTRETOISE	123 456 789ABC DEF	
03A		866577	TAPON DE GOMA PARAPOLVERE DUSTGUARD	STAUBFANGER POUSSIÈRE	123 456 789ABC DEF	
04A		866578	TUERCA PLATINA SUPERIOR DADO NUT	MUTTER ECROU	123 456 789ABC DEF	
05A		866584	ANILLO TORICO TAPON PIERNA ANELLO TORICO O-RING	O-RING JOINT	123 456 789ABC DEF	
06A		866583	TAPON PIERNA HORQUILLA TAPPO GAMBA FORCELLA FORK TUBE CAP	PFRÖPFEN F. GABELSCHENKEL BOUCHON	123 456 789ABC DEF	
07A		866582	TORNILLO ALLEN VITE SCREW	SCHRAUBE VIS	123 456 789ABC DEF	
08A		866580	PLATINA SUPERIOR FLANGIA SUP. FORCELLA HANDLEBAR LOCK CLAMP	BUGEL ETRIER FIX. GUIDON	123 456 789ABC DEF	
09A		866581	CTO TIJA PLATINA FUSTO PIASTRA LOWER TRIPLE CLAMP	SATTELSTANGE PLATINE INF. AVEC PIVOT	123 456 789ABC DEF	
10A		866585	MUELLE PRINCIPAL SDA-R MOLLA FORCELLA FORK SPRING	GABELFEDER RESSORT DE FOURCHE	123 456 789ABC DEF	
11A		866593	TUBO PRINCIPAL BARRA GAMBA FORCELLA FORK BAR	GABELSTANKE BARRE DE FOURCHE	123 456 789ABC DEF	

TO IDENTIFY: NO DECAL PAIOLI



ESCORTS

Fig.	Ver.	COD. KOD.	DESCRIPCIÓN DENOMINAZIONE NAME	BEZEICHUNG DESIGNATION	MOD.	NOTAS NOTES NOTA MITSCHRIFT NOTES
12A		864416	CTO HORQUILLA SEDA-R FORCELLA DIRETT FORK ASSY	LENKGABEL FOURCHE DIRITICE	123456 789ABC DEF	
13A		866589	CTO HIDRAULICO SDA-R TUBO IDRAULICO DAMPER TUBE	HYDRAULIKROHR TUBE HYDRAULIQUE	123456 789ABC DEF	
14A		866594	PIERNA DERECHA HORQUILLA GAMBA FORCELLA DE. RH. FORK TUBE LOWER	PFROPFEN F. GABELSCHENKEL RE. BOUCHON DROITE	123456 789ABC DEF	
15A		866595	PIERNA IZQUIERDA HORQUILLA SDA-R GAMBA FORCELLA SI. LH. FORK TUBE LOWER	PFROPFEN F. GABELSCHENKEL LI. BOUCHON GAUCHE	123456 789ABC DEF	
16A		866592	RETEN DE ACEITE PARAOLIO SEAL	DICHTRING JOINT	123456 789ABC DEF	
17A	01	00H01802081	CAPTAFAROS CATARIFRANGENTE REFLECTOR	TRAHLER CATADIOPTRE	123456 789ABC DEF	
17A		866675	CAPTAFAROS (ADESIVO) CATARIFRANGENTE REFLECTOR	TRAHLER CATADIOPTRE	123456 789ABC DEF	
18A		866586	TORNILLO ALLEN M10 VITE SCREW	SCHRAUBE VIS	123456 789ABC DEF	
19A		866587	JUNTA TORNILLO ALLEN M10 RONDELLA WASHER	SCHEIBE RONDELLE	123456 789ABC DEF	
20A		0008061500	TORNILLO C/RED. ALLEN 6M100X16 VITE SCREW	SCHRAUBE VIS	123456 789ABC DEF	
21A		00031106000	ARANDELA PLANA D6 RONDELLA WASHER	SCHEIBE RONDELLE	123456 789ABC DEF	

ESCORTS

TO IDENTIFY: NO DECAL PAIOLI

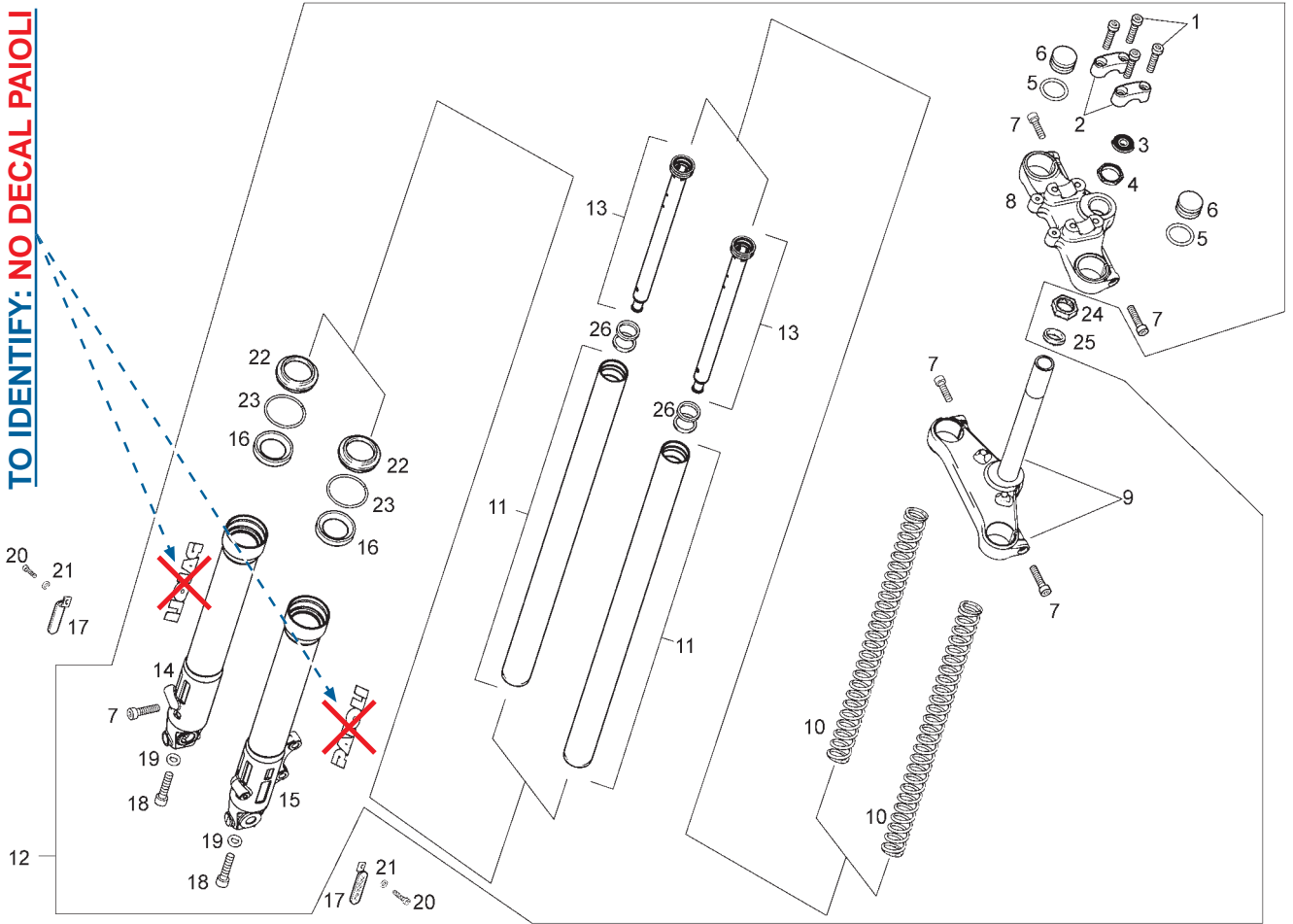


Fig.	Ver.	COD. KOD.	DESCRIPCIÓN DENOMINAZIONE NAME	BEZEICHNUNG DESIGNATION	MOD.	NOTAS NOTES NOTA MITSCHRIFT NOTES
22A		866590	GUARDAPOLVO PARAPOLVERE DUSTGUARD	STAUBFANGER POUSSIÈRE	123 456 789 ABC DEF	
23A		866591	ANILLO RETEN ANELLO FERMA PARAOLIO O-RING	O-RING JOINT DE JAUGE	123 456 789 ABC DEF	
24A		00G00200112	TUERCA FIJACION TIJA DADO NUT	MUTTER ECROU	123 456 789 ABC DEF	
25A		00D00200761	GUARDAPOLVO DIRECCION PARAPOLVERE DUSTGUARD	STAUBFANGER POUSSIÈRE	123 456 789 ABC DEF	
26A		866588	ACELERADOR GAS THROTTLE	GASHEBEL GAZ	123 456 789 ABC DEF	

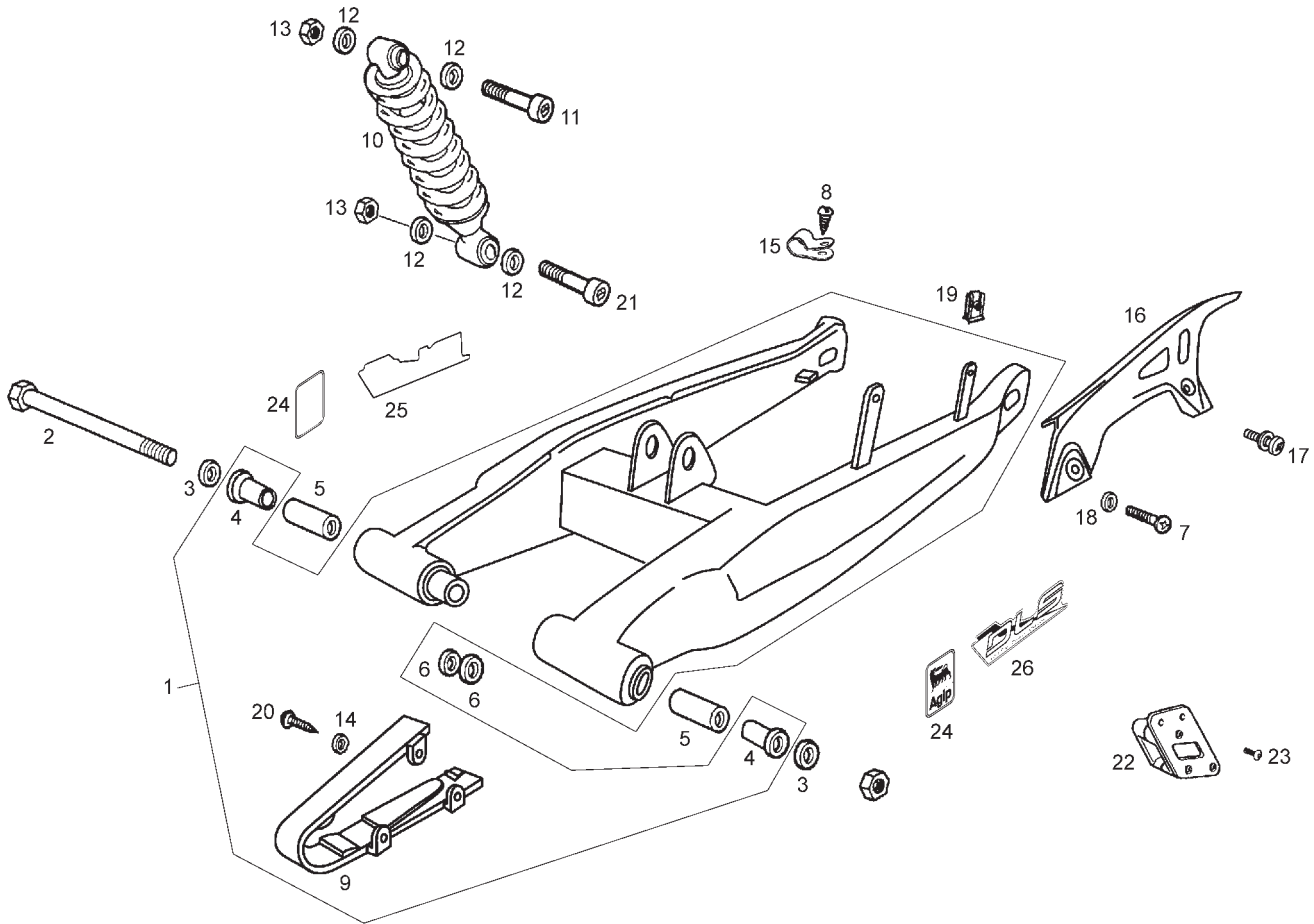


Fig.	Ver.	COD. KOD.	DESCRIPCIÓN DENOMINAZIONE NAME	BEZEICHNUNG DESIGNATION	MOD.	NOTAS NOTES NOTA MITSCHRIFT NOTES
01A		00H00308971	CTO BASCULANTES C/CASQUILLOS SUBRIBALTABILE SWING ARM SUB-ASSY	SCHWINGENACHSE BRAS OSCILLANT	123456 789	
01B		00H00308972	CTO BASCULANTES C/CASQUILLOS SUBRIBALTABILE SWING ARM SUB-ASSY	SCHWINGENACHSE BRAS OSCILLANT	ABC DEF	
02A		00H01304202	CTO. EJE RDA. TRAS. ASSE RUOTA POST. REAR WHEEL AXLE	HINTERRADACHSE AXE ROUE ARRIERE	123456 789ABC DEF	
03A		00003112322	ARANDELA EJE RUEDA. RONDELLA WASHER	SCHEIBE RONDELLE	123456 789ABC DEF	
04A		00002503230	CASQUILLO EJE BASCTE GHIERA ASSE RIBALTABILE SWING ARM BUSHING	BUCHSE ENTRETOISE AXE BRAS OSCIL	123456 789ABC DEF	
05A		00H00301401	CASQUILLO GHIERA ORECCHIA MOTORE ENGINE BRACKET BUFFER BUSHING	BUCHSE ENTRETOISE AXE BRAS OSCIL	123456 789ABC DEF	
06A		00D01300192	ARANDELA EJE RONDELLA WASHER	SCHEIBE RONDELLE	123456 789ABC DEF	
07A		00012061200	TORNILLO 6M100X12 VITE SCREW	SCHRAUBE VIS	123456 789ABC DEF	
08A		00011041300	TORNILLO AUTR. C/CRUZ 4,8 X 13 VITE SCREW	SCHRAUBE VIS	123456 789ABC DEF	
09A		00H01803331	PLACA ROZAMTO.CADENA. PIASTRA ATTRITO CATENA CHAIN FORCHIN PLATE	KETTEN-REIBPLATTE PLAQUE GLISSEMENT CHAINE	123456 789ABC DEF	
10A		00H01508191	CTO.AMORTIGUADOR AMMORTIZZATORE SHOCK ABSORBER.	FEDERBEIN AMORTISSEUR	123456 789ABC DEF	

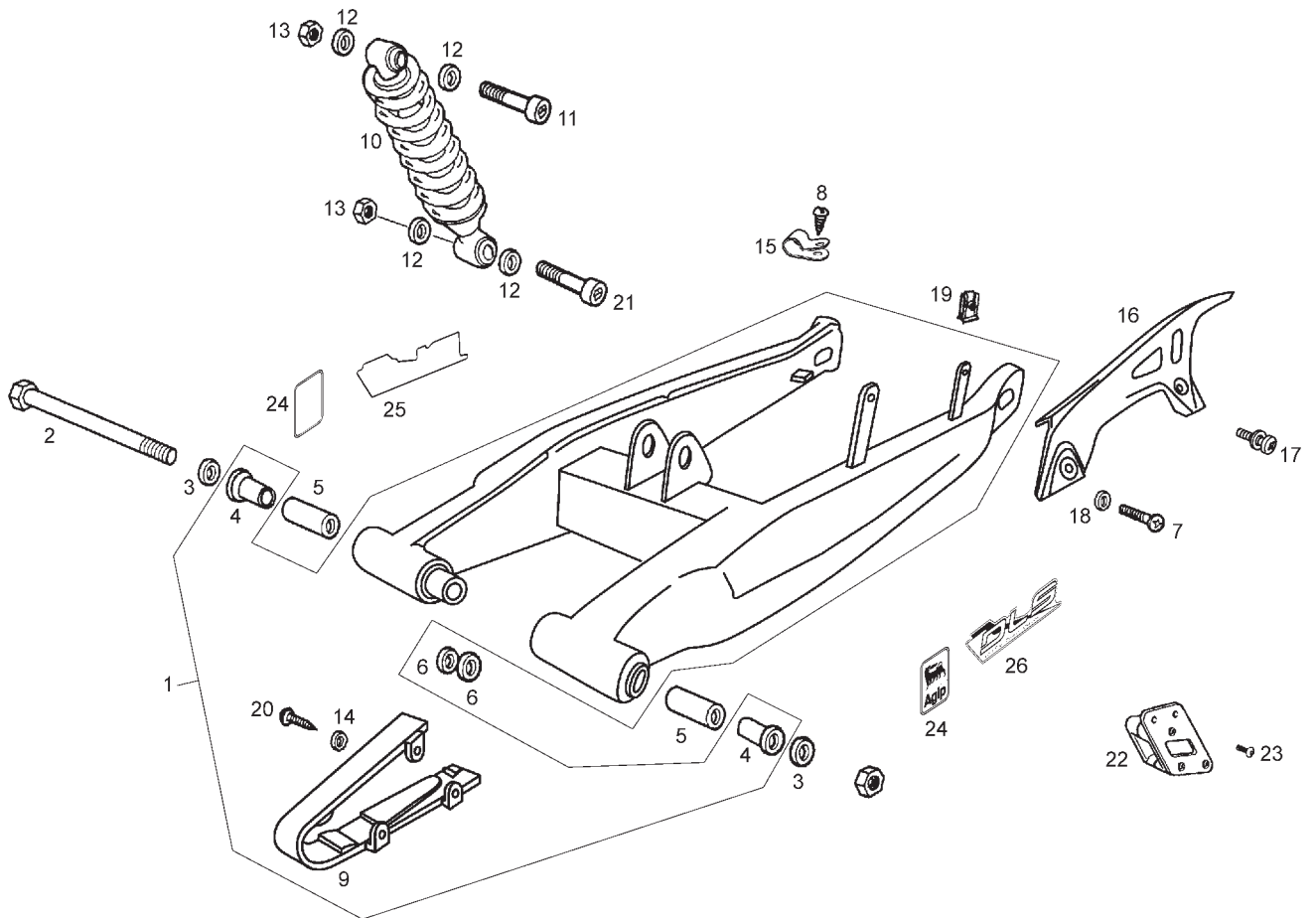


Fig.	Ver.	COD. KOD.	DESCRIPCIÓN DENOMINAZIONE NAME	BEZEICHUNG DESIGNATION	MOD.	NOTAS NOTES NOTA MITSCHRIFT NOTES
11A		00H00303892	TORNILLO FIJ.SUP.AMORTIGUADOR VITE SCREW	SCHRAUBE VIS	123 45 6 789 ABC DEF	
12A		00003115422	ARANDELA RONDELLA WASHER	SCHEIBE RONDELLE	123 45 6 789 ABC DEF	
13A		00023112000	TUERCA AUTOBLOCANTE 12M175 DADO NUT	MUTTER ECROU	123 45 6 789 ABC DEF	
14A		00000031050	ARANDELA PLANA D5 RONDELLA WASHER	SCHEIBE RONDELLE	123 45 6 789 ABC DEF	
15A		00H01501811	BRIDA FLANGIA CLAMP	BEF.-SCHELLE ENTRETOISE	123 45 6 789 ABC DEF	
16A		00H01508181	CUBRECADENAS COPRICATENA CHAIN COVER	KETTENSCHUTZ COUVRE CHAINE	123 45 6 789 ABC DEF	
17A		00H05900021	SCTO TORNILLO 6M100X16 VITE SCREW	SCHRAUBE VIS	123 45 6 789 ABC DEF	
18A		00D01200171	ARANDELA RONDELLA WASHER	SCHEIBE RONDELLE	123 45 6 789 ABC DEF	
19A		00D01501371	TUERCA FIJACION D6 DADO NUT	MUTTER ECROU	123 45 6 789 ABC DEF	
20A		00011141300	TORNILLO AUT.C/CR.NG.4,8X13 VITE SCREW	SCHRAUBE VIS	123 45 6 789 ABC DEF	
21A		00H00300912	TORN. INF. AMORT. 12 X 45 VITE FISSAGGIO AMORT. SHOCK ABSORBER SEC. SCREW	SOTSSDMPFER BEFESTIGUNGSM VIS FIXATION AMORTISSEUR	123 45 6 789 ABC DEF	

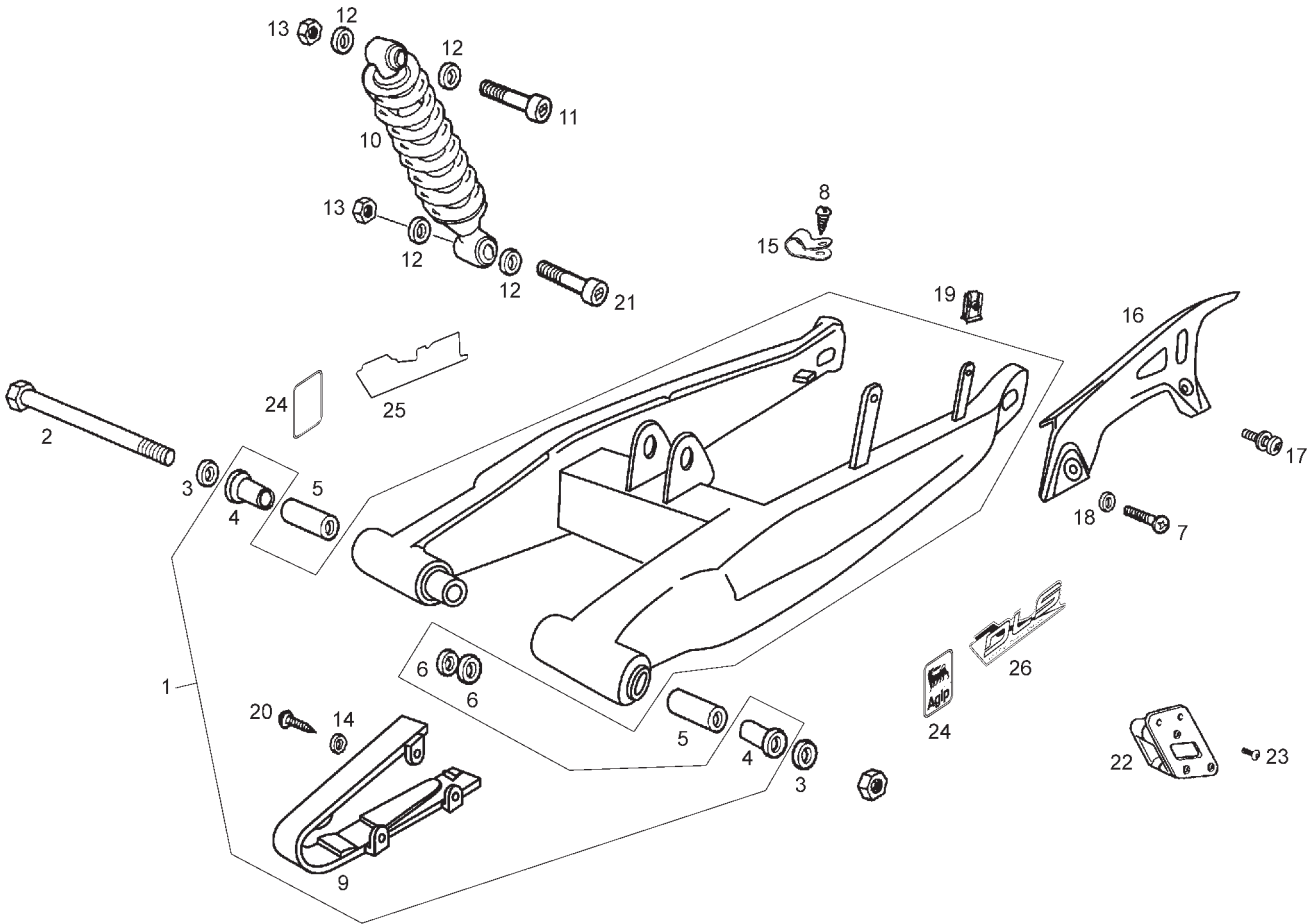


Fig.	Ver.	COD. KOD.	DESCRIPCIÓN DENOMINAZIONE NAME	BEZEICHNUNG DESIGNATION	MOD.	NOTAS NOTES NOTA MITSCHRIFT NOTES
22A	01	00H01502871	CTO GUIA CADENA GUIDA CATENA CHAIN GUIDE	GLEITBAHN GUIDE CHAINE	12 3 4 5 6 7 8 9 ABC DEF	
22A		86133R	CTO GUIA CADENA GUIDA CATENA CHAIN GUIDE	GLEITBAHN GUIDE CHAINE	12 3 4 5 6 7 8 9 ABC DEF	
23A		00012061000	TORNILLO C/REDONDA 6X10 VITE SCREW	SCHRAUBE VIS	12 3 4 5 6 7 8 9 ABC DEF	
24A		862535	CALCA AGIP ADESIVO DECAL	SCHRIFTZUG ADHESIF	12 3 4 5 6 7 8 9 ABC DEF	
25A		00H00309331	CALCA DLS BASCULANTE MY'07 ADESIVO DECAL	SCHRIFTZUG ADHESIF	12 3 4 5 6 7 8 9	
25B		8657120001	CALCA BASCULANTE DLS DR MY'09 ADESIVO DECAL	SCHRIFTZUG ADHESIF	ABC DEF	
26A		00H00309331	CALCA DLS BASCULANTE MY'07 ADESIVO DECAL	SCHRIFTZUG ADHESIF	12 3 4 5 6 7 8 9	
26B		8657130001	CALCA BASCULANTE DLS IZQ MY'09 ADESIVO DECAL	SCHRIFTZUG ADHESIF	ABC DEF	

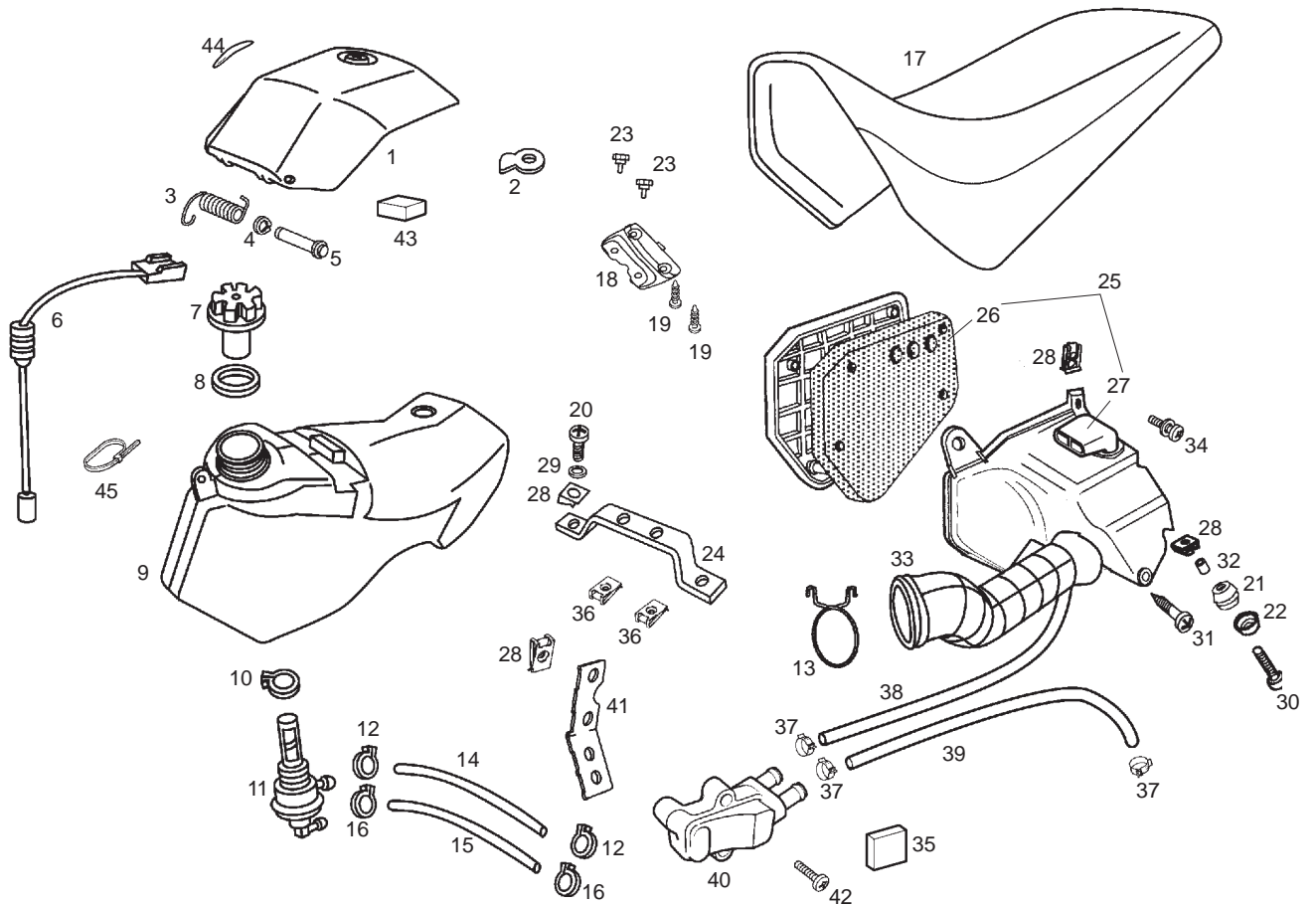


Fig.	Ver.	COD. KOD.	DESCRIPCIÓN DENOMINAZIONE NAME	BEZEICHUNG DESIGNATION	MOD.	NOTAS NOTES NOTA MITSCHRIFT NOTES
01A		86351700W1R	TAPA SUPERIOR DEPOSITO SUBCOMP.CARCASSA SUP.SERB. TOP TANK FRAME	TANKKLAPPE COUVERCLE DE RESERVOIR	123	
01B		00H00405686	TAPA SUPERIOR DEPOSITO SUBCOMP.CARCASSA SUP.SERB. TOP TANK FRAME	TANKKLAPPE COUVERCLE DE RESERVOIR	456	
01C		00H00404684	TAPA SUPERIOR DEPOSITO SUBCOMP.CARCASSA SUP.SERB. TOP TANK FRAME	TANKKLAPPE COUVERCLE DE RESERVOIR	789ABC DEF	
02A		00H00604141	PALANCA CIERRE LEVA LEVER	SCHLOSS-VERSCHLUSSHEBEL LEVIER FERMETURE SELLE	123456 789ABC DEF	
03A		00H06303762	MUELLE ARTIC.TAPA DEPOSITO MOLLA ARTIC. COPER. SUP. SERB. SPRING	RITZELFEDER RESSORT	123456 789ABC DEF	
04A		00047030400	ANILLO SEGURIDAD D4 ANELLO SICUREZZA ASSI PIN SECURING CIRCLIP	SICHERHEITSRING ACHSE ANNEAU SECURITE AXE	123456 789ABC DEF	
05A		00H06303752	EJE ARTIC.TAPA DEPOSITO ASSE ARTIC. COPER.C.SUP.SERB. AXLE	STIFT AXE	123456 789ABC DEF	
06A		00H04302181	CTO NIVEL GASOLINA LIVELLO BENZINA GAS LEVEL SENSOR ASSY.	KRAFTSTOFFSTAND ENSEMBLE FLOTTEUR ESSENCE	123456 789ABC DEF	UNTIL FRAME 7H379323
06B		864489	CTO NIVEL GASOLINA LIVELLO BENZINA GAS LEVEL SENSOR ASSY.	KRAFTSTOFFSTAND ENSEMBLE FLOTTEUR ESSENCE	123456 789ABC DEF	SINCE FRAME 7H379324
07A	01	00F00400131	CTO TAPON DEPOSITO GASOLINA TAPPO SERBATOIO BENZINA FUEL TANK CAP ASSY	FUEL TANK CAP ASSY ENS. BOUCHON RESERV. ESSENCE V.B	123456 789ABC DEF	
07A		00G00401131	CTO TAPON DEPOSITO GASOLINA TAPPO SERBATOIO BENZINA FUEL TANK CAP ASSY	FUEL TANK CAP ASSY ENS. BOUCHON RESERV. ESSENCE V.B	123456 789ABC DEF	

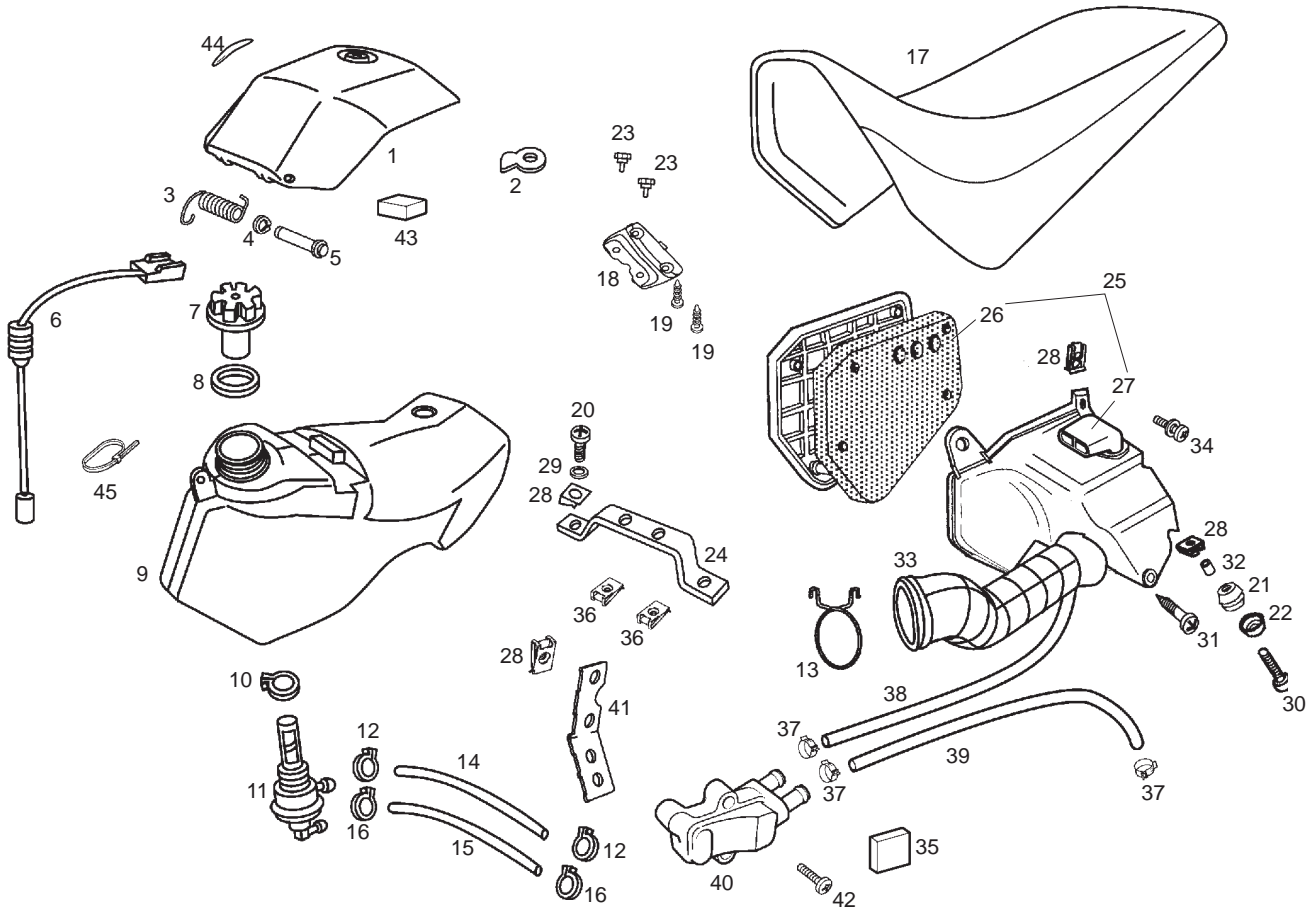


Fig.	Ver.	COD. KOD.	DESCRIPCIÓN DENOMINAZIONE NAME	BEZEICHUNG DESIGNATION	MOD.	NOTAS NOTES NOTA MITSCHRIFT NOTES
08A		00F00400771	R-ARANDELA TAPON DEPOSITO RONDELLA TAPPO SERBATOIO FUEL TANK CAP WASHER	SCHEIBE F.TANKDECKEL R-RONDELLE BOUCHON RESERVOI	123456 789ABC DEF	
09A		00H00406011	DEPOSITO.GASOLINA SERBATOIO BENZINA FUEL TANK	BENZINTANK RESERVOIR ESSENCE	123456 789ABC DEF	
10A		00G00400501	ABRAZADERA FASCETTA FISSAGGIO RUBINETTO FUEL COCK SECURING CLAMP	BEF.-SCHELLE F.HAHN BRIDE FIXATION ROBINET	123456 789ABC DEF	
11A		00G00400181	CTO GRIFO GASOLINA RUBINETTO BENZINA FUEL COCK ASSY	KRAFTSTOFFHAHN UNTERDRUCK ENSEMBLE ROBINET ESSENCE	123456 789ABC DEF	
12A		00D03700131	ABRAZADERA ELASTICA FASCETTA ELASTICA TUBO BENZINA FUEL PIPE ELASTIC CLAMP	ELAST.KLAMMER GASLEITUNG CRAMPON ELASTIQUE TUBE ESSE	123456 789ABC DEF	
13A		00G03204272	MUELLE TUBO ADMISION ANELLO CARB. AIR INTAKE TUBE	SCHAUCHSCHELLE COLLIER	123456 789ABC DEF	
14A		00F00403321	TUBO GASOLINA TUBO BENZINA FUEL PIPE	BENZINSCHLAUCH TUYAU ESSENCE	123456 789ABC DEF	
15A	01	00H06201061	TUBO DEPRESION TUBO DEPRESSIONE DEPRESSION PIPE	BENZINSCHLAUCH TUYAU ESSENCE	123456 789ABC DEF	UNTIL FRAME 9H441340
15A		866497	CTO FILTRO DEPRESION TUBO DEPRESSIONE DEPRESSION PIPE	BENZINSCHLAUCH TUYAU ESSENCE	123456 789ABC DEF	SINCE FRAME 9H441341
16A		00F03710131	ABRAZADERA ELASTICA FASCETTA ELASTICA CLAMP	BEF.-SCHELLE ENTRETOISE	123456 789ABC DEF	
17A		00H00626011	CTO. SILLIN COMP. SELLINO SEAT	SITZBANK SELLE	123456 789ABC DEF	

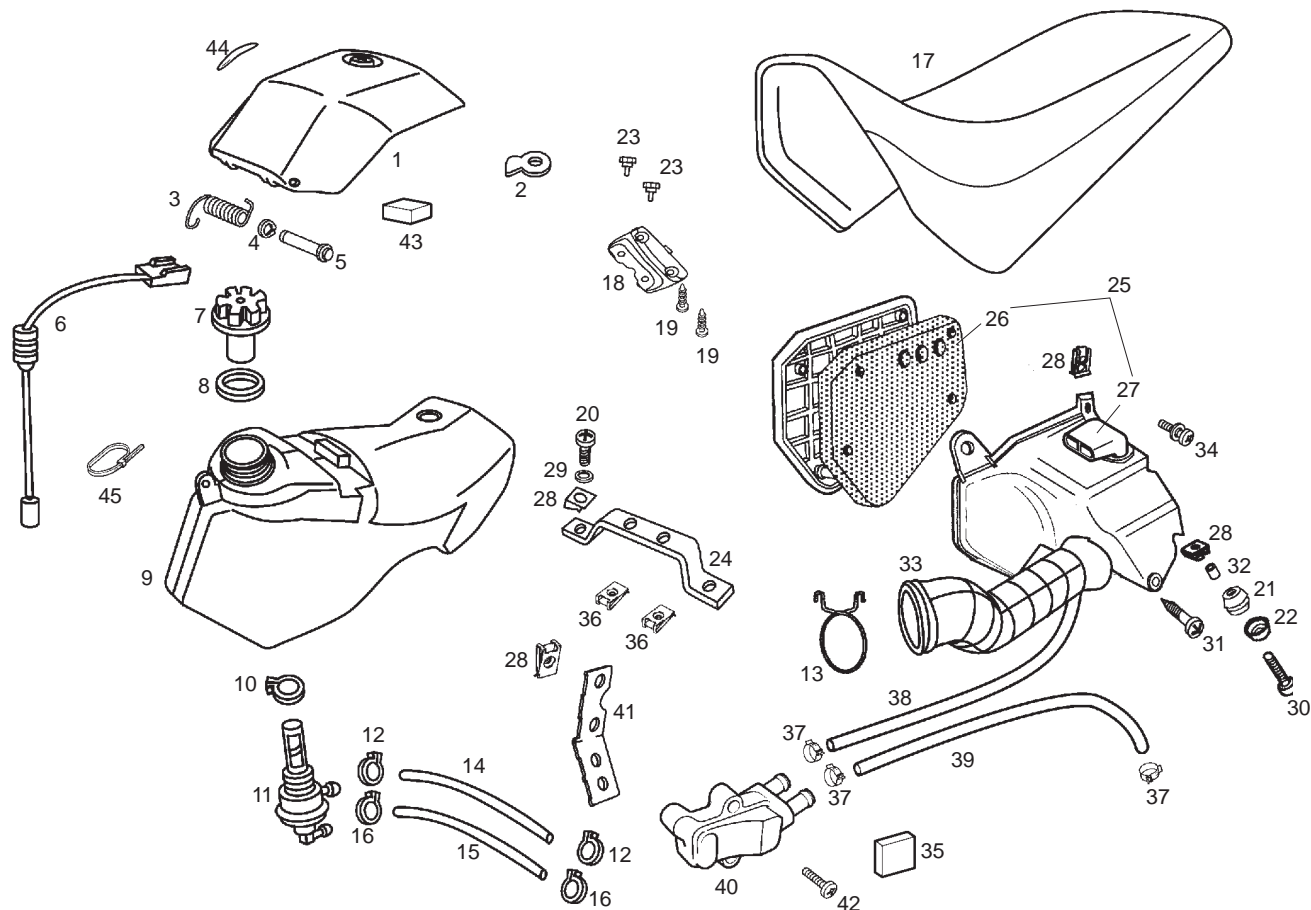


Fig.	Ver.	COD. KOD.	DESCRIPCIÓN DENOMINAZIONE NAME	BEZEICHUNG DESIGNATION	MOD.	NOTAS NOTES NOTA MITSCHRIFT NOTES
18A		00H00600341	SUPLEMENTO BASE SILLIN SUPPLEMENTO SELLINO SEAT SUPPLEM.	ZUBEHÖR SITZBANK SUPL.SELLE	12 3 4 5 6 7 8 9 ABC DEF	
19A		00011051801	TORNILLO PARA PLASTICO 5.1 X 18 VITE SCREW	SCHRAUBE VIS	12 3 4 5 6 7 8 9 ABC DEF	
20A		00012061200	TORNILLO C/CRUZ 6M100X12 VITE SCREW	SCHRAUBE VIS	12 3 4 5 6 7 8 9 ABC DEF	
21A		00008915020	PROTECCION CABLES PROTEZIONE CAVI RUBBER, CABLE PROTECTOR	GUMMI PASSE-CABLE	12 3 4 5 6 7 8 9 ABC DEF	
22A		00D01500552	CAZOLETA SCADELLINO FISSAGGIO HOUSING	ABDECKSCHEIBE CUVETTE	12 3 4 5 6 7 8 9 ABC DEF	
23A		861417	TORNILLO FIJACION SILLIN VITE SCREW	SCHRAUBE VIS	12 3 4 5 6 7 8 9 ABC DEF	
24A		00H00404051	PUENTE FIJ. DEPOSITO. SUPPORTO INF. SERBATOIO LOWER FUEL TANK BRACKET	LOWER FUEL TANK BRACKET GPRËRË SUPPORT INFËRIEUR RËSERVOIR ES	12 3 4 5 6 7 8 9 ABC DEF	
25A		00H01809541A	CTO CAJA FILTRO CASSA FILTRO AIR FILTER BOX	FILTERKASTEN ENSEMBLE BOITE FILTRE	12 45 78 AB DE	
25B		00H06007211A	CTO CAJA FILTRO C/TUBO SCANDINAVIA CASSA FILTRO AIR FILTER BOX	FILTERKASTEN ENSEMBLE BOITE FILTRE	3 6 9 C F	
26A		00H03209251	ESPUMA FILTRO AIRE ESPANSO FILTRO ARIA AIR FILTER MESH	LUFTFILTERSCHAUM FILTRE AIR	12 45 78 AB DE	
26B	01	00H03201251	ESPUMA FILTRO AIRE ESPANSO FILTRO ARIA AIR FILTER MESH	LUFTFILTERSCHAUM FILTRE AIR	3 6 9 C F	

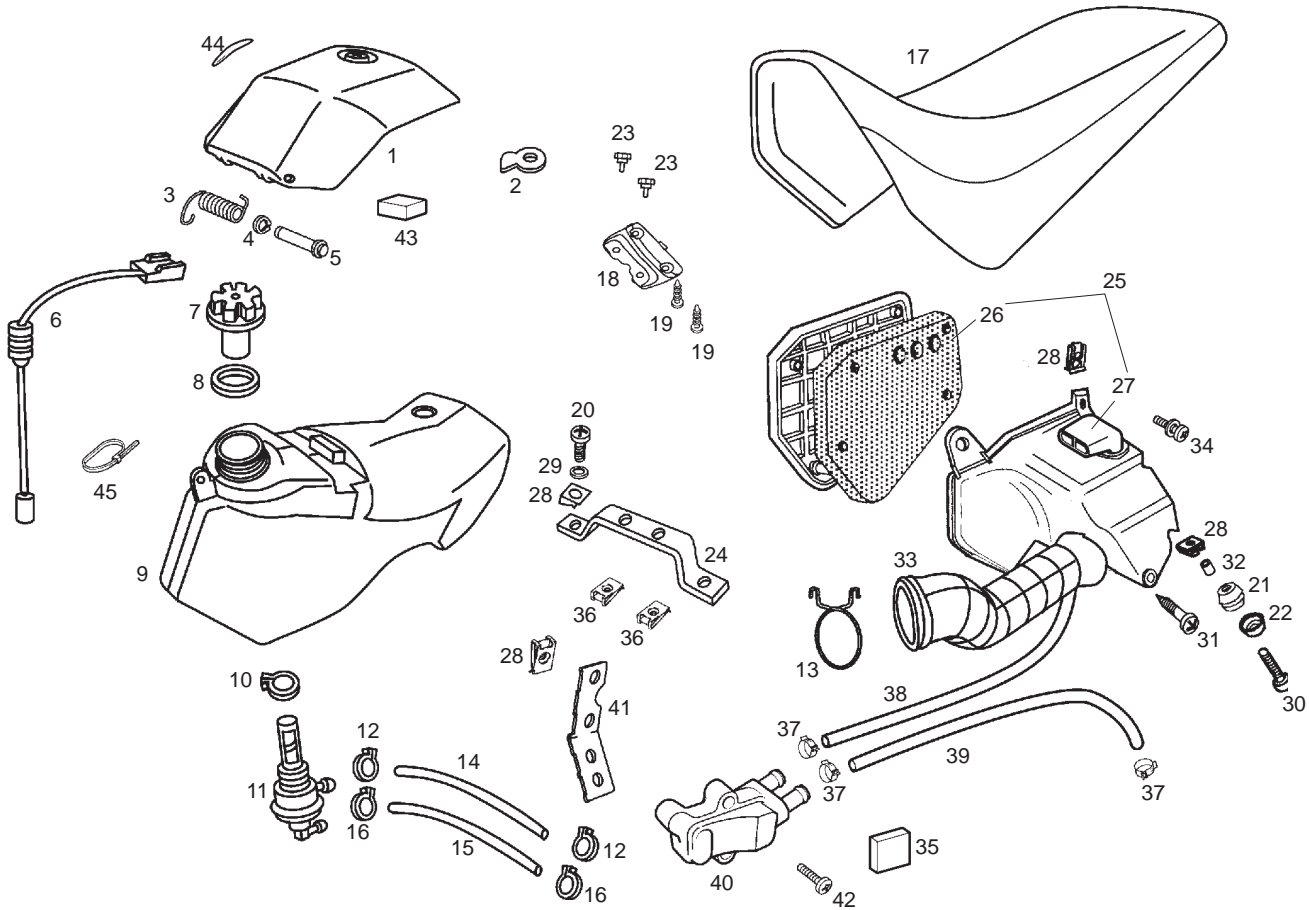


Fig.	Ver.	COD. KOD.	DESCRIPCIÓN DENOMINAZIONE NAME	BEZEICHNUNG DESIGNATION	MOD.	NOTAS NOTES NOTA MITSCHRIFT NOTES
26B		00H03209251	ESPUMA FILTRO AIRE ESPANSO FILTRO ARIA AIR FILTER MESH	LUFTFILTERSCHAUM FILTRE AIR	3 6 9 C F	
27A		00H03208491	TUBO ASPIRACION CAJA FILTRO TUBO ASPIRAZIONE AIR INTAKE	SAUGROHR TUBE DIASPIRATION	12 45 78 AB DE	
27B		00D03210491	TUBO ASPIRACION CAJA FILTRO TUBO ASPIRAZIONE AIR INTAKE	SAUGROHR TUBE DIASPIRATION	3 6 9 C F	
28A		00D01501371	TUERCA FIJACION D6 DADO NUT	MUTTER ECROU	12 3 4 5 6 7 8 9 ABC DEF	
29A		00D01200171	ARANDELA RONDELLA WASHER	SCHEIBE RONDELLE	12 3 4 5 6 7 8 9 ABC DEF	
30A		00012161600	TORNILLO C/CRUZ.NG.6M100X16 VITE SCREW	SCHRAUBE VIS	12 3 4 5 6 7 8 9 ABC DEF	
31A		00073481964	TORNILLO AUTR.C/CRUZ 4,8 X 19. VITE SCREW	SCHRAUBE VIS	12 3 4 5 6 7 8 9 ABC DEF	
32A		00D01500471	CASQ. SILENT. SILENC. GHIERA BUSHING	FUHRUNGSBUCHSE GABELSCHENK ENTRETOISE	12 3 4 5 6 7 8 9 ABC DEF	
33A		00H03207261	TUBO ADMISION TUBO AMMISSIONE AIR INTAKE HOSE	ENLAISROR HUNTER TUYAU DIADMISSION HUNTER	12 3 4 5 6 7 8 9 ABC DEF	
34A		00D05910081	SCTO. TORNILLO 6M100X16 VITE SCREW	SCHRAUBE VIS	12 3 4 5 6 7 8 9 ABC DEF	
35A		00H03800571	TOPE FERMO FARO HEADLIGHT STOP	ANSCHLAG SCHEINWERFER BUTEE PHARE	3 6 9 C F	

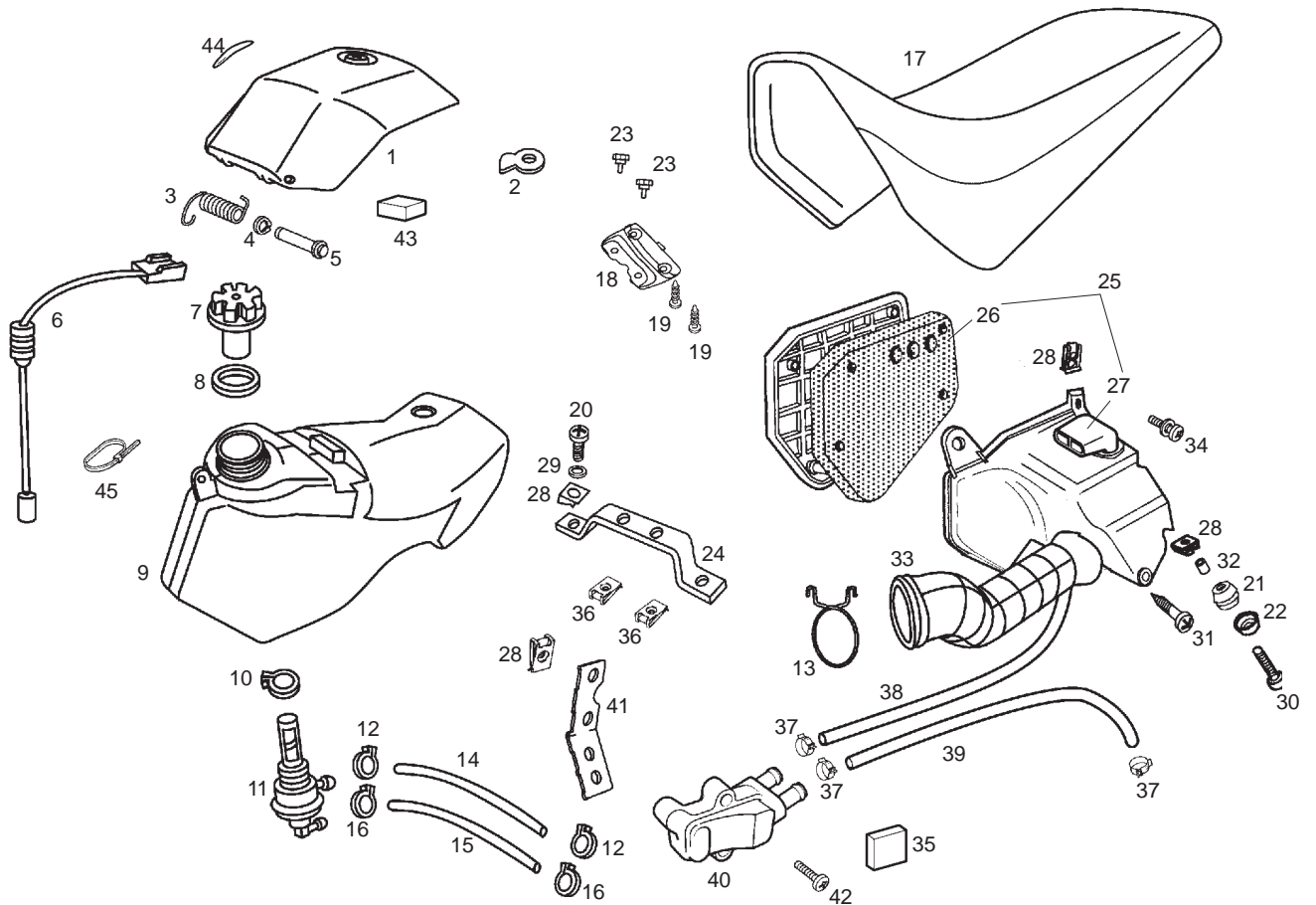


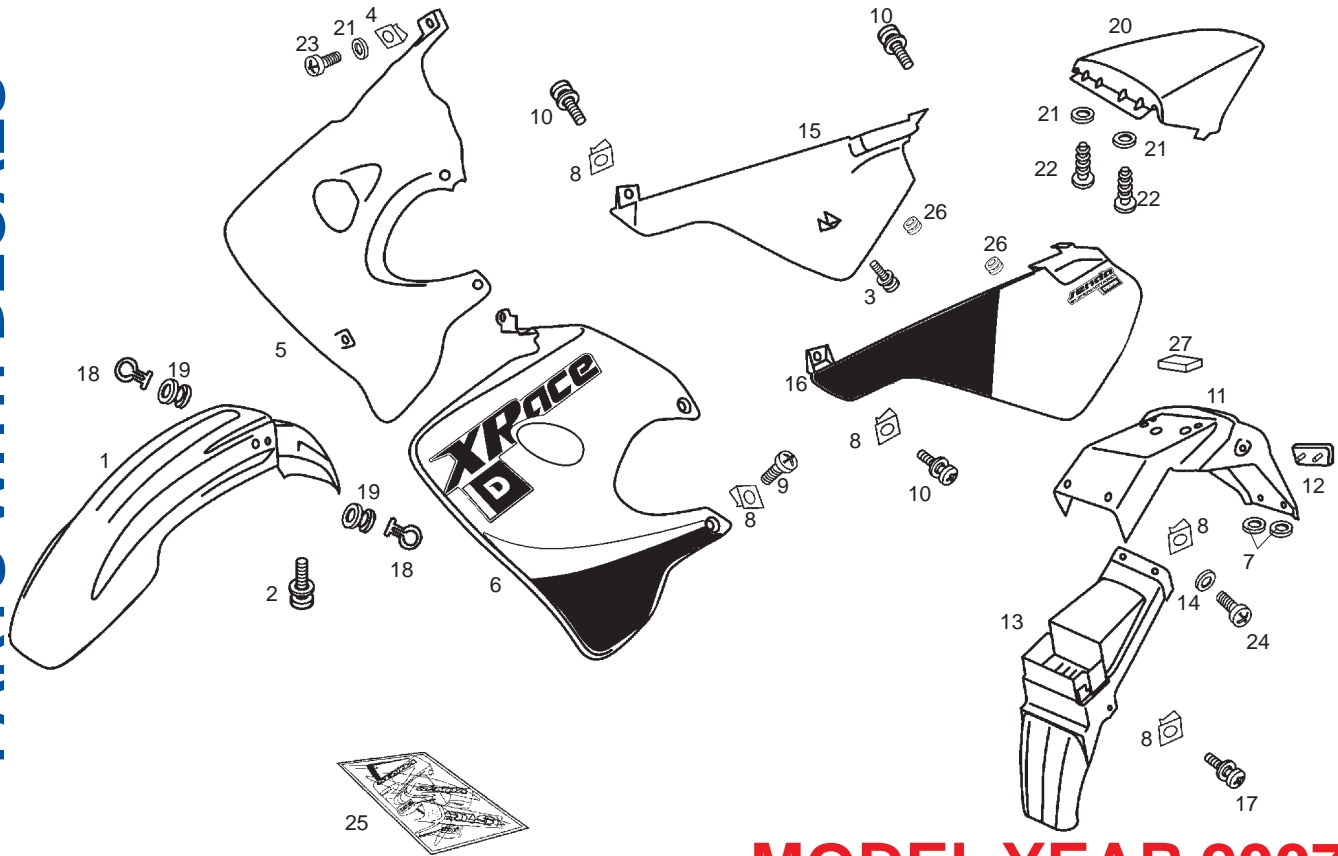
Fig.	Ver.	COD. KOD.	DESCRIPCIÓN DENOMINAZIONE NAME	BEZEICHUNG DESIGNATION	MOD.	NOTAS NOTES NOTA MITSCHRIFT NOTES
36A		00H01500691	TUERCA FIJACION D5 DADO NUT	MUTTER ECROU	123 456 789ABC DEF	
37A		00H03802461	ABRAZADERA 15/8 W4 FLANGIA FLANGE	FLANSCH BRIDE	3 6 9 C F	
38A		00H04200721	TUBO CONEXIÓN CAJA FILTRO - SAS TUBO CASSA FILTRO AIR FILTER BOX TUBE	FILTERKASTEN RHOR TUYAU ENSEMBLE BOITE FILTRE	3 6 9 C F	
39A		00H04202721	TUBO ENTRADA GASES CAJA SAS TUBO CASSA FILTRO AIR FILTER BOX TUBE	FILTERKASTEN RHOR TUYAU ENSEMBLE BOITE FILTRE	3 6 9 C F	
40A		00H04200741	CTO CAJA AIRE SECUNDARIO CASSA SECONDARIA DI ARIA SECONDARY AIR BOX	SEKUNDÄRLUFT-KASTEN BOÎTE SECONDAIRE D'AIR	3 6 9 C F	
41A		00H06500561	CARTELA SOPORTE CAJA SAS SUPPORTO CASSA DI ARIA AIR BOX SUPPORT	LUFT-KASTEN-UNTERSTÜTZUNG APPUI DE BOÎTE D'AIR	3 6 9 C F	
42A		00012062500	TORNILLO C/CRUZ 6M100X25 VITE SCREW	SCHRAUBE VIS	3 6 9 C F	
43A		00H00403831	TOPE TAPA DEPOSITO FERMO FARO HEADLIGHT STOP	ANSCHLAG SCHEINWERFER BUTÉE PHARE	123 456 789ABC DEF	
44A		00H00406521	CALCA PROTECCION TAPA ADESIVO DECAL	SCHRIFTZUG ADHESIF	123 456 789ABC DEF	
45A		00D00900531	ABRAZADERA UNECABLES RONDELLA STELLA INTERIORE ELASTIC CLAMP	SCHELLE ELAST.	123 456 789ABC DEF	



MODEL YEAR 2007

Fig.	Ver.	COD. KOD.	DESCRIPCIÓN DENOMINAZIONE NAME	BEZEICHNUNG DESIGNATION	MOD.	NOTAS NOTES NOTA MITSCHRIFT NOTES
01A		00H00714024	GUARDABARRO DELANTERO PARAFANGO ANTERIORE FRONT MUDGUARD ASSY	KOTFLUGEL VORN GARDE-BOUE AVANT RGE	123	
01B		00H00714023	GUARDABARRO DELANTERO PARAFANGO ANTERIORE FRONT MUDGUARD ASSY	KOTFLUGEL VORN GARDE-BOUE AVANT RGE	456	
01C		00H00711025	GUARDABARRO DELANTERO PARAFANGO ANTERIORE FRONT MUDGUARD ASSY	KOTFLUGEL VORN GARDE-BOUE AVANT RGE	789	
02A		00H05900021	SCTO TORNILLO 6M100X16 VITE SCREW	SCHRAUBE VIS	123456 789	
03A		00H05900021	SCTO TORNILLO 6M100X16 VITE SCREW	SCHRAUBE VIS	123456 789	
04A		00G04401462	TUERCA FIJACION D5 DADO NUT	MUTTER ECROU	123456 789	
05A		86345700W1R	TAPA DELANTERA DERECHA COPERCHIO COVER	DECKEL COUVERCLE	123	
05B		86345700W0A	TAPA DELANTERA DERECHA COPERCHIO COVER	DECKEL COUVERCLE	456	
05C		86345700W0N	TAPA DELANTERA DERECHA COPERCHIO COVER	DECKEL COUVERCLE	789	
06A		86345800W1R	TAPA DELANTERA IZQUIERDA COPERCHIO COVER	DECKEL COUVERCLE	123	
06B		86345800W0A	TAPA DELANTERA IZQUIERDA COPERCHIO COVER	DECKEL COUVERCLE	456	

**PIEZAS CON CALCAS
PARTS WITH DECALS**



MODEL YEAR 2007

Fig.	Ver.	COD. KOD.	DESCRIPCIÓN DENOMINAZIONE NAME	BEZEICHNUNG DESIGNATION	MOD.	NOTAS NOTES NOTA MITSCHRIFT NOTES
06C		86345800W0N	TAPA DELANTERA IZQUIERDA COPERCHIO COVER	DECKEL COUVERCLE	789	
07A		00G06300671	ARANDELA RONDELLA WASHER	SCHEIBE RONDELLE	123 45 6 789	
08A		00D01501371	TUERCA FIJACION D6 DADO NUT	MUTTER ECROU	123 45 6 789	
09A		00G01503701	TORNILLO VITE SCREW	SCHRAUBE VIS	123 45 6 789	
10A		00F05900041	SCTO TORNILLO 6M100X16 VITE SCREW	SCHRAUBE VIS	123 45 6 789	
11A		00H00712341	SUPLEMEMTO GUARD.TRASERO SUPPLEMENTO PARAFANGO POST. SUPPLEM. REAR FENDER	ZUBEHÖR STAUBFANGER HINTEN SUPL. GARDE BOUE AR.	123 45 6 789	
12A		00G04400752	CAPTAFAROS TRASERO ROJO CATARIFRANGENTE POSTERIORE R REAR REFLECTOR	RUCKS TRÄHLER CATADIOPTRE ARRIERE	123 45 6 789	
13A		00H00705121	GUARDABARROS TRASERO PARAFANGO POSTERIORE REAR MUDGUARD	KOTFLUGEL HINTEN GARDE BOUE ARRIERE	123 45 6 789	
14A		00D01200171	ARANDELA RONDELLA WASHER	SCHEIBE RONDELLE	123 45 6 789	
15A		86345910W0B	TAPA LATERAL DERECHA COPERCHIO LAT. DES. RIGHT HAND SIDE COVER	SEITENDECKEL RECHTS PLAQUE LATERAL DROITE AVEC	123 45 6	
15B		86345910W0B	TAPA LATERAL DERECHA COPERCHIO LAT. DES. RIGHT HAND SIDE COVER	SEITENDECKEL RECHTS PLAQUE LATERAL DROITE AVEC	789	

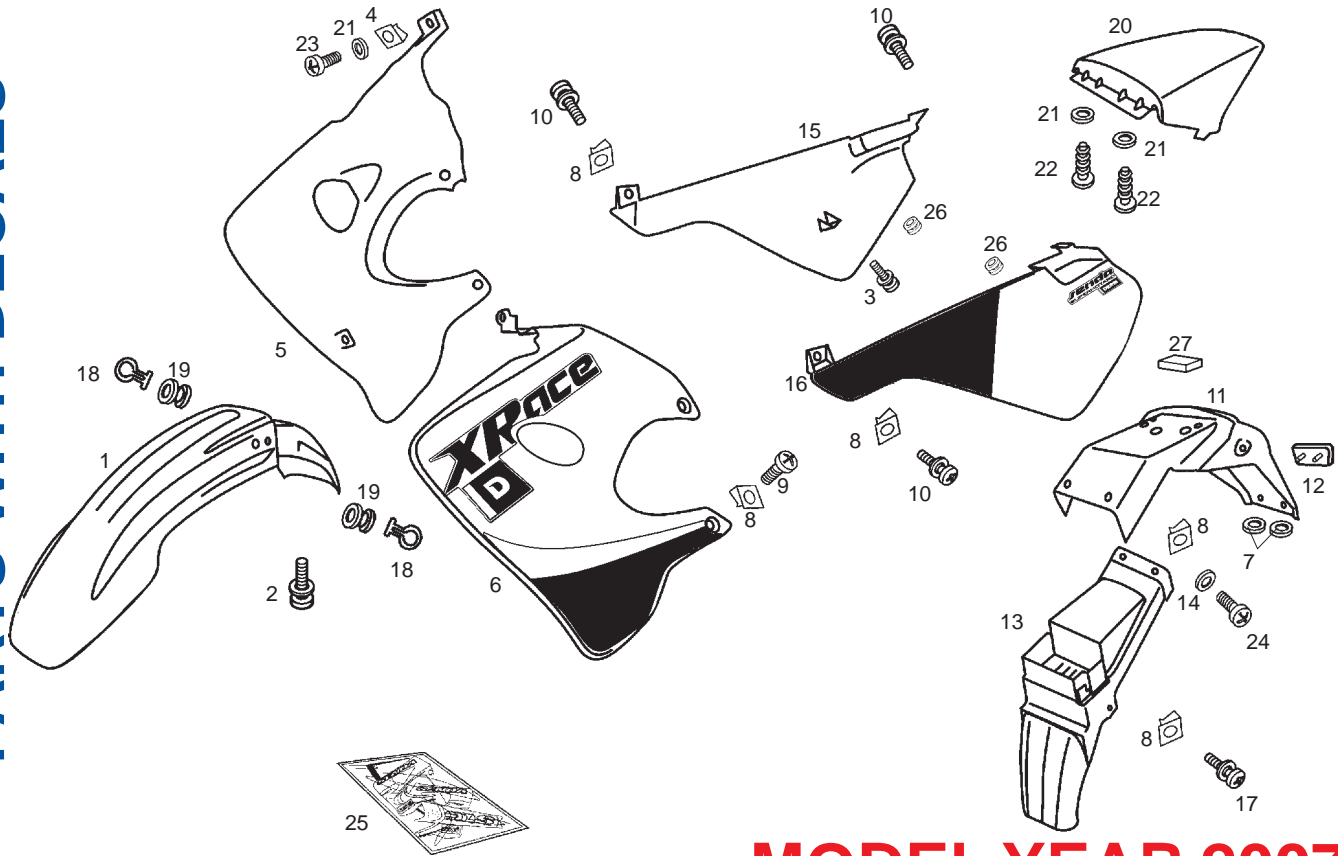


**PIEZAS CON CALCAS
PARTS WITH DECALS**

MODEL YEAR 2007

Fig.	Ver.	COD. KOD.	DESCRIPCIÓN DENOMINAZIONE NAME	BEZEICHNUNG DESIGNATION	MOD.	NOTAS NOTES NOTA MITSCHRIFT NOTES
16A		86346010W0B	TAPA LATERAL IZQUIERDA COPERCHIO LAT. SIN. LEFT HAND SIDE COVER	SEITENDECKEL- LINKS FLANC LAT.G.AVEC DECAL	12 3 4 5 6	
16B		86346010W0B	TAPA LATERAL IZQUIERDA COPERCHIO LAT. SIN. LEFT HAND SIDE COVER	SEITENDECKEL- LINKS FLANC LAT.G.AVEC DECAL	7 8 9	
17A		00H05900021	SCTO TORNILLO 6M100X16 VITE SCREW	SCHRAUBE VIS	12 3 4 5 6 7 8 9	
18A		00H02201591	GUIA CABLES GUIDA CAVI CABLE GUIAE	HALTER F. BEF. BREMSSCHLAU SOUS-EN.SUP.FIX.TUYAU FREIN	12 3 4 5 6 7 8 9	
19A		00D01500021	PASACABLES PORTACAVI PARAFANGO GROMMET	GUMMI CAOUTCHOUC PASSE-CABLE	12 3 4 5 6 7 8 9	
20A		86352410W0B	COLIN SILLIN COLIN SELLINO SEAT BASE	KOTFLUGEL HINTEN DOSSERET SELLE	12 3 4 5 6	
20B		00H00608164	COLIN SILLIN COLIN SELLINO SEAT BASE	KOTFLUGEL HINTEN DOSSERET SELLE	7 8 9	
21A		00000031050	ARANDELA PLANA D5 RONDELLA WASHER	SCHEIBE ROND.PLATE MECANISEE	12 3 4 5 6 7 8 9	
22A		00011051401	TORNILLO AUTRRCTE. 5 X14 VITE SCREW	SCHRAUBE VIS	12 3 4 5 6 7 8 9	
23A		00012152000	TORNILLO C/RED.CRUIZ 5M80X20 VITE SCREW	SCHRAUBE VIS	12 3 4 5 6 7 8 9	
24A		00012061200	TORNILLO 6M100X12 VITE SCREW	SCHRAUBE VIS	12 3 4 5 6 7 8 9	

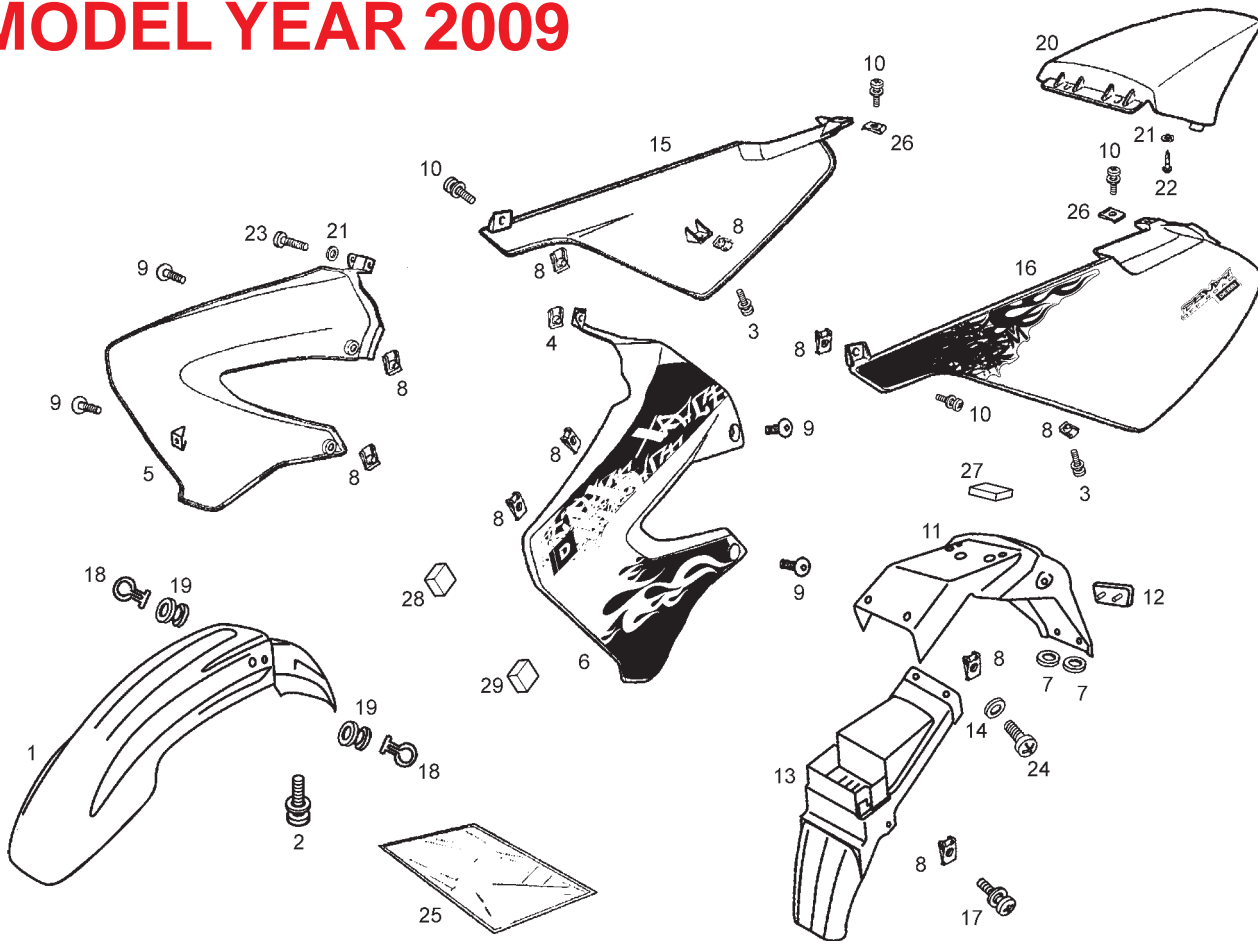
**PIEZAS CON CALCAS
PARTS WITH DECALS**



MODEL YEAR 2007

Fig.	Ver.	COD. KOD.	DESCRIPCIÓN DENOMINAZIONE NAME	BEZEICHNUNG DESIGNATION	MOD.	NOTAS NOTES NOTA MITSCHRIFT NOTES
25A		86353700W1R	JUEGO CALCAS R X-RACE ROJA'07 COMPL.ADESIVI DECALS ASSY	AUFKLEBERSATZ JEU ADHESIF	12 3	
25B		86353700W0A	JUEGO CALCAS R X-RACE AZUL'07 COMPL.ADESIVI DECALS ASSY	AUFKLEBERSATZ JEU ADHESIF	45 6	
25C		86360700W0N	JUEGO CALCAS R X-RACE NEGRA'07 COMPL.ADESIVI DECALS ASSY	AUFKLEBERSATZ JEU ADHESIF	78 9	
26A		00H00501761	SILENTBLOCK SILENTBLOCK SILENTBLOCK	SILENTBLOCK SILENTBLOCK	12 3 45 6 78 9	
27A		00H05900621	ESPUMA ADESIVA ESPANSO FOAM	SCHAUM MOUSSE	12 3 45 6 78 9	

MODEL YEAR 2009



**PIEZAS CON CALCAS
PARTS WITH DECALS**

Fig.	Ver.	COD. KOD.	DESCRIPCIÓN DENOMINAZIONE NAME	BEZEICHNUNG DESIGNATION	MOD.	NOTAS NOTES NOTA MITSCHRIFT NOTES
01A		00H00714023	GUARDABARRO DELANTERO PARAFANGO ANTERIORE FRONT MUDGUARD ASSY	KOTFLUGEL VORN GARDE-BOUE AVANT RGE	ABC	
01B		00H00711025	GUARDABARRO DELANTERO PARAFANGO ANTERIORE FRONT MUDGUARD ASSY	KOTFLUGEL VORN GARDE-BOUE AVANT RGE	DEF	
02A		00H05900021	SCTO TORNILLO 6M100X16 VITE SCREW	SCHRAUBE VIS	ABC DEF	
03A		00H05900021	SCTO TORNILLO 6M100X16 VITE SCREW	SCHRAUBE VIS	ABC DEF	
04A		00G04401462	TUERCA FIJACION D5 DADO NUT	MUTTER ECROU	ABC DEF	
05A		86570702W0N	TAPA DELANTERA DERECHA COPERCHIO COVER	DECKEL COUVERCLE	ABC	
05B		86570701W0N	TAPA DELANTERA DERECHA COPERCHIO COVER	DECKEL COUVERCLE	DEF	
06A		86570802W0N	TAPA DELANTERA IZQUIERDA COPERCHIO COVER	DECKEL COUVERCLE	ABC	
06B		86570801W0N	TAPA DELANTERA IZQUIERDA COPERCHIO COVER	DECKEL COUVERCLE	DEF	
07A		00G06300671	ARANDELA RONDELLA WASHER	SCHEIBE RONDELLE	ABC DEF	
08A		00D01501371	TUERCA FIJACION D6 DADO NUT	MUTTER ECROU	ABC DEF	

MODEL YEAR 2009

**PIEZAS CON CALCAS
PARTS WITH DECALS**

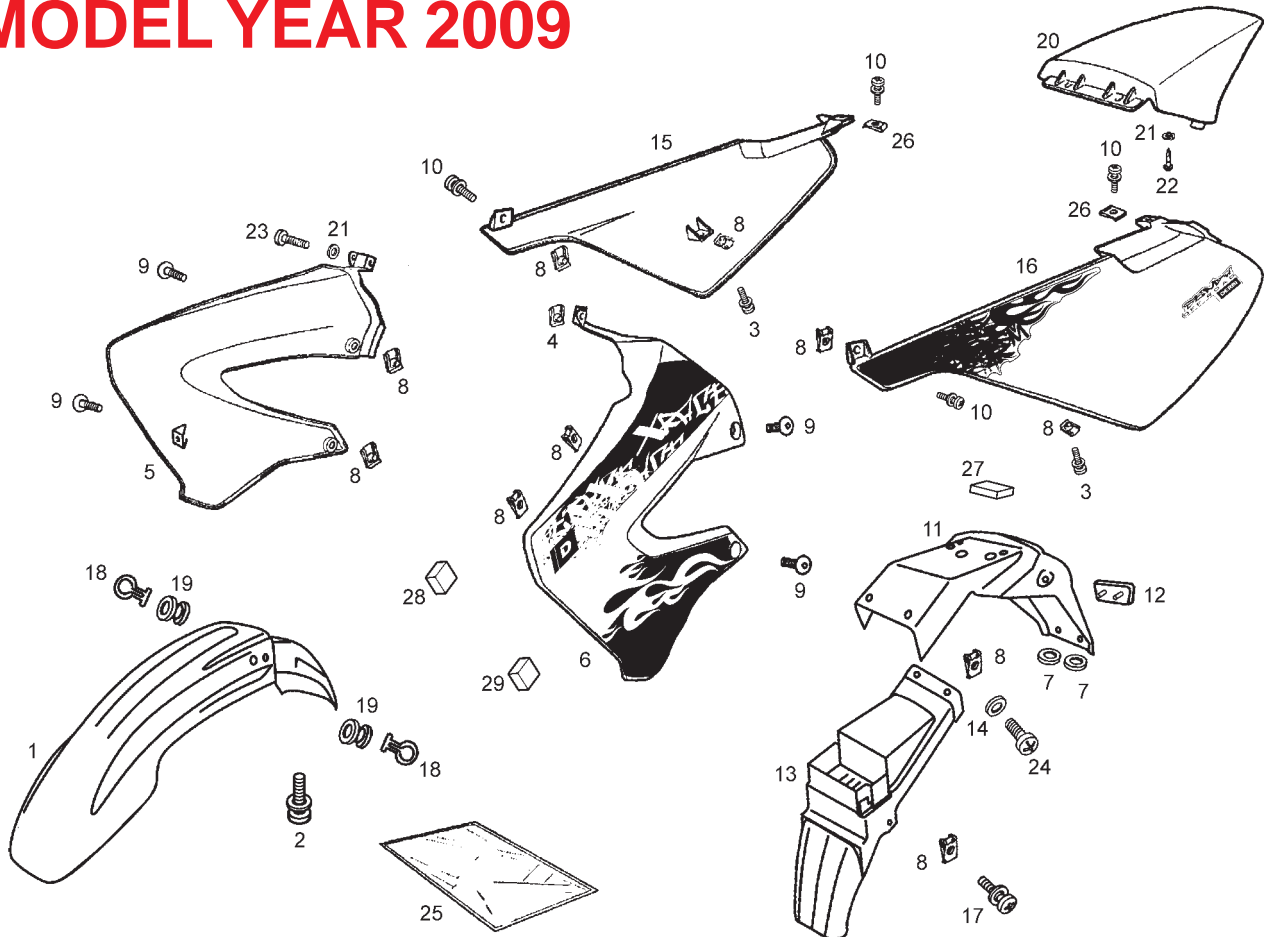
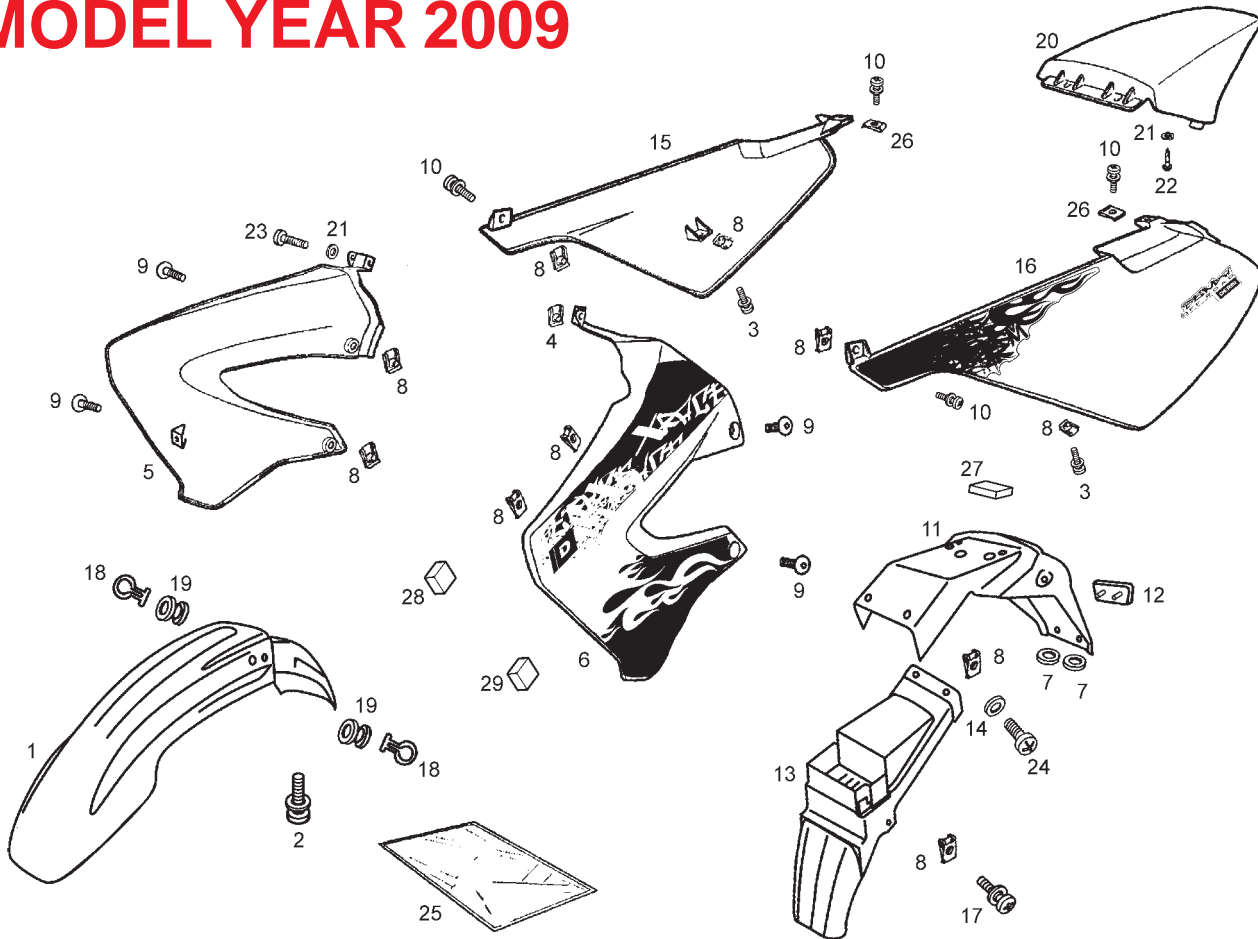


Fig.	Ver.	COD. KOD.	DESCRIPCIÓN DENOMINAZIONE NAME	BEZEICHNUNG DESIGNATION	MOD.	NOTAS NOTES NOTA MITSCHRIFT NOTES
09A		00G01503701	TORNILLO VITE SCREW	SCHRAUBE VIS	ABC DEF	
10A		00F05900041	SCTO TORNILLO 6M100X16 VITE SCREW	SCHRAUBE VIS	ABC DEF	
11A		00H00712341	SUPLEMEN TO GUARD.TRASERO SUPPLEMENTO PARAFANGO POST. SUPPLEM. REAR FENDER	ZUBEHOR STAUBFANGER HINTEN SUPL. GARDE BOUE AR.	ABC DEF	
12A		00G04400752	CAPTAFAROS TRASERO ROJO CATARIFRANGENTE POSTERIORE R REAR REFLECTOR	RUCKS TRAHLER CATADIOPTRE ARRIERE	ABC DEF	
13A		00H00705121	GUARDABARROS TRASERO PARAFANGO POSTERIORE REAR MUDGUARD	KOTFLUGEL HINTEN GARDE BOUE ARRIERE	ABC DEF	
14A		00D01200171	ARANDELA RONDELLA WASHER	SCHEIBE RONDELLE	ABC DEF	
15A		86571600W1B	TAPA LATERAL DERECHA COPERCHIO LAT. DES. RIGHT HAND SIDE COVER	SEITENDECKEL RECHTS PLAQUE LATERAL DROITE AVEC	ABC	
15B		86571601W1B	TAPA LATERAL DERECHA COPERCHIO LAT. DES. RIGHT HAND SIDE COVER	SEITENDECKEL RECHTS PLAQUE LATERAL DROITE AVEC	DEF	
16A		86571700W1B	TAPA LATERAL IZQUIERDA COPERCHIO LAT. SIN. LEFT HAND SIDE COVER	SEITENDECKEL- LINKS FLANC LAT.G.AVEC DECAL	ABC	
16B		86571701W1B	TAPA LATERAL IZQUIERDA COPERCHIO LAT. SIN. LEFT HAND SIDE COVER	SEITENDECKEL- LINKS FLANC LAT.G.AVEC DECAL	DEF	
17A		00H05900021	SCTO TORNILLO 6M100X16 VITE SCREW	SCHRAUBE VIS	ABC DEF	

MODEL YEAR 2009



**PIEZAS CON CALCAS
PARTS WITH DECALS**

Fig.	Ver.	COD. KOD.	DESCRIPCIÓN DENOMINAZIONE NAME	BEZEICHNUNG DESIGNATION	MOD.	NOTAS NOTES NOTA MITSCHRIFT NOTES
18A		00H02201591	GUIA CABLES GUIDA CAVI CABLE GUIAE	HALTER F. BEF. BREMSSCHLAU SOUS-EN.SUP.FIX.TUYAU FREIN	ABC DEF	
19A		00D01500021	PASACABLES PORTACAVI PARAFANGO GROMMET	GUMMI CAOUTCHOUC PASSE-CABLE	ABC DEF	
20A		00H00608164	COLIN SILLIN COLIN SELLINO SEAT BASE	KOTFLUGEL HINTEN DOSSERET SELLE	ABC	
20B		00H00609163	COLIN SILLIN COLIN SELLINO SEAT BASE	KOTFLUGEL HINTEN DOSSERET SELLE	DEF	
21A		00000031050	ARANDELA PLANA D5 RONDELLA WASHER	SCHEIBE ROND.PLATE MECANISEE	ABC DEF	
22A		00011051401	TORNILLO AUTRRCTE. 5 X14 VITE SCREW	SCHRAUBE VIS	ABC DEF	
23A		00012152000	TORNILLO C/RED.CRUIZ 5M80X20 VITE SCREW	SCHRAUBE VIS	ABC DEF	
24A		00012061200	TORNILLO 6M100X12 VITE SCREW	SCHRAUBE VIS	ABC DEF	
25A		86573400WN0	JUEGO CALCAS X-RACE 2009 AZ COMPL.ADESIVI DECALS ASSY	AUFKLEBERSATZ JEU ADHESIF	ABC	
25B		86573400W0N	JUEGO CALCAS X-RACE 2009 NG COMPL.ADESIVI DECALS ASSY	AUFKLEBERSATZ JEU ADHESIF	DEF	
26A		00H00501761	SILENTBLOCK SILENTBLOCK SILENTBLOCK	SILENTBLOCK SILENTBLOCK	ABC DEF	

MODEL YEAR 2009

**PIEZAS CON CALCAS
PARTS WITH DECALS**

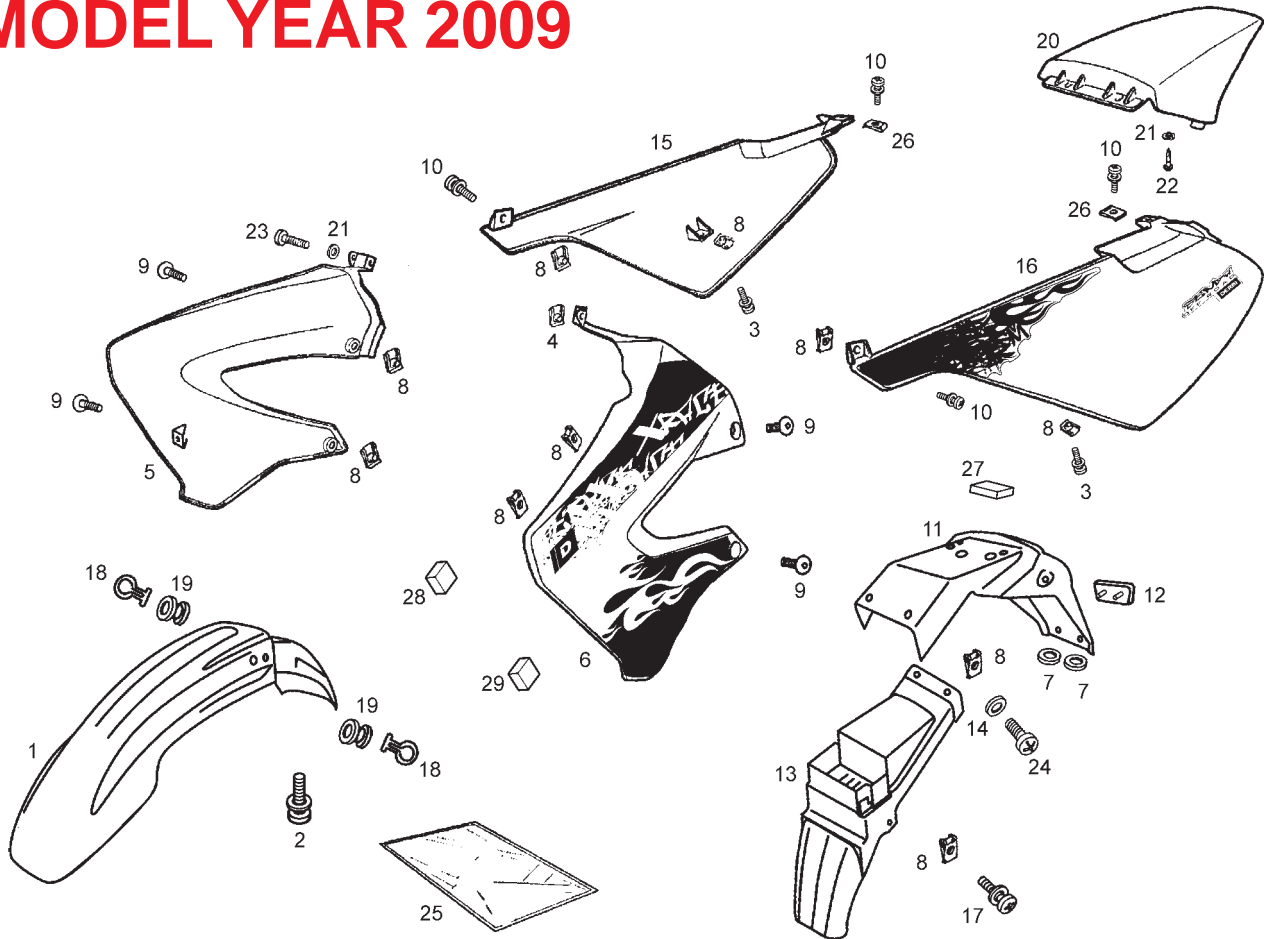


Fig.	Ver.	COD. KOD.	DESCRIPCIÓN DENOMINAZIONE NAME	BEZEICHUNG DESIGNATION	MOD.	NOTAS NOTES NOTA MITSCHRIFT NOTES
27A		00H05900621	ESPUMA ADESIVA ESPANSO FOAM	SCHAUM MOUSSE	ABC DEF	
28A		00H06300771	TOPE LATERALES CARENADO ESPANSO FOAM	SCHAUM MOUSSE	ABC DEF	
29A		00H03800571	TOPE TAPA LATERAL ESPANSO FOAM	SCHAUM MOUSSE	ABC DEF	

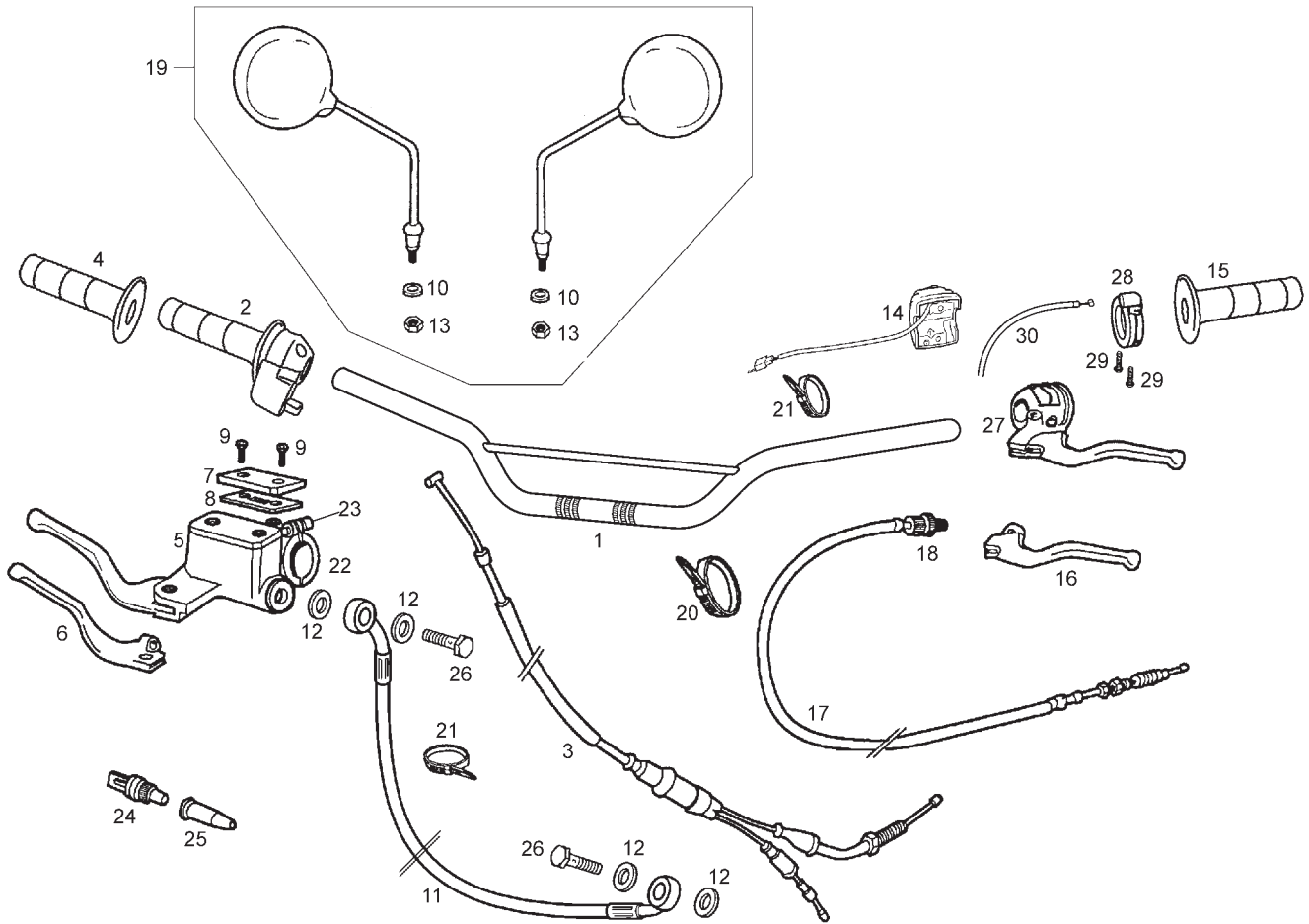


Fig.	Ver.	COD. KOD.	DESCRIPCIÓN DENOMINAZIONE NAME	BEZEICHNUNG DESIGNATION	MOD.	NOTAS NOTES NOTA MITSCHRIFT NOTES
01A		00H00908012A	MANILLAR MANUBRIO HANDLEBAR ASSY	LENKER GUIDON	12 45 78 AB DE	
01B		00H00908012A	MANILLAR MANUBRIO HANDLEBAR ASSY	LENKER GUIDON	3 6 9 C F	UNTIL FRAME 9H433717
01C		86649800WGB	MANILLAR MANUBRIO HANDLEBAR ASSY	LENKER GUIDON	3 6 9 C F	SINCE FRAME 9H433718
02A		00H02101621	CTO. PUÑO GAS MANOPOLA ACCELERATOR THROTTLE GRIP ASSEMBLY	GASGRIFF POIGNEE DE GAZ COMPLETE	12 3 4 5 6 7 8 9 ABC DEF	
03A		00H00931171	CABLE-FUNDA GAS CAVO-FODERO ACCELERA CABLE ASSY TRHOTTLE	GASKABEL GAINÉ ET CABLE DE GAZ	12 45 78 AB DE	
03B		00H00934171	CABLE-FUNDA GAS SCANDINAVIA CAVO-FODERO ACCELERA CABLE ASSY TRHOTTLE	GASKABEL GAINÉ ET CABLE DE GAZ	3 6 9 C F	
04A		00H00930091	R-EMPUÑADURA GAS R-MANOPOLA ACCELERATORE GRIP, THROTTLE	GRIFF POIGNÉE	12 3 4 5 6 7 8 9 ABC DEF	
05A		00G02102083	R-CTO MANDO FRENO DT R-COMANDO FRENO FRONT BRAKE LEVER/MASTER CYLIN	REP.-SATZ F. PUMPE R-ENSEM.KIT REPAR. POMPE SE	12 3 4 5 6 7 8 9 ABC DEF	
06A		00F00902291	MANETA FRENO DELANTERO LEVA FRENO BRAKE LEVER	BREMSHEBEL KOMPL. MANETE DU FREIN AVANT	12 3 4 5 6 7 8 9 ABC DEF	
07A		00H02100191	R-TAPA DEPOSITO LIQ. FRENO DT. COPERCHIO SERBATOIO LIQUIDO BRAKE FLUID RESERVOIR CAP	BREMSFLUESSIGKEITSBEHAELTE R-COUV.RESER.LIQ.FREIN AVAN	12 3 4 5 6 7 8 9 ABC DEF	
08A		00H02100861	R-JUNTA TAPA DEP. LIQ. FRENO GUARNIZIONE COPERCHIO BRAKE FLUID RESERVOIR CAP SEAL	BREMSCECKELDICHUNG R-JOINT COUV.RES.LIQ.FR.AV.	12 3 4 5 6 7 8 9 ABC DEF	

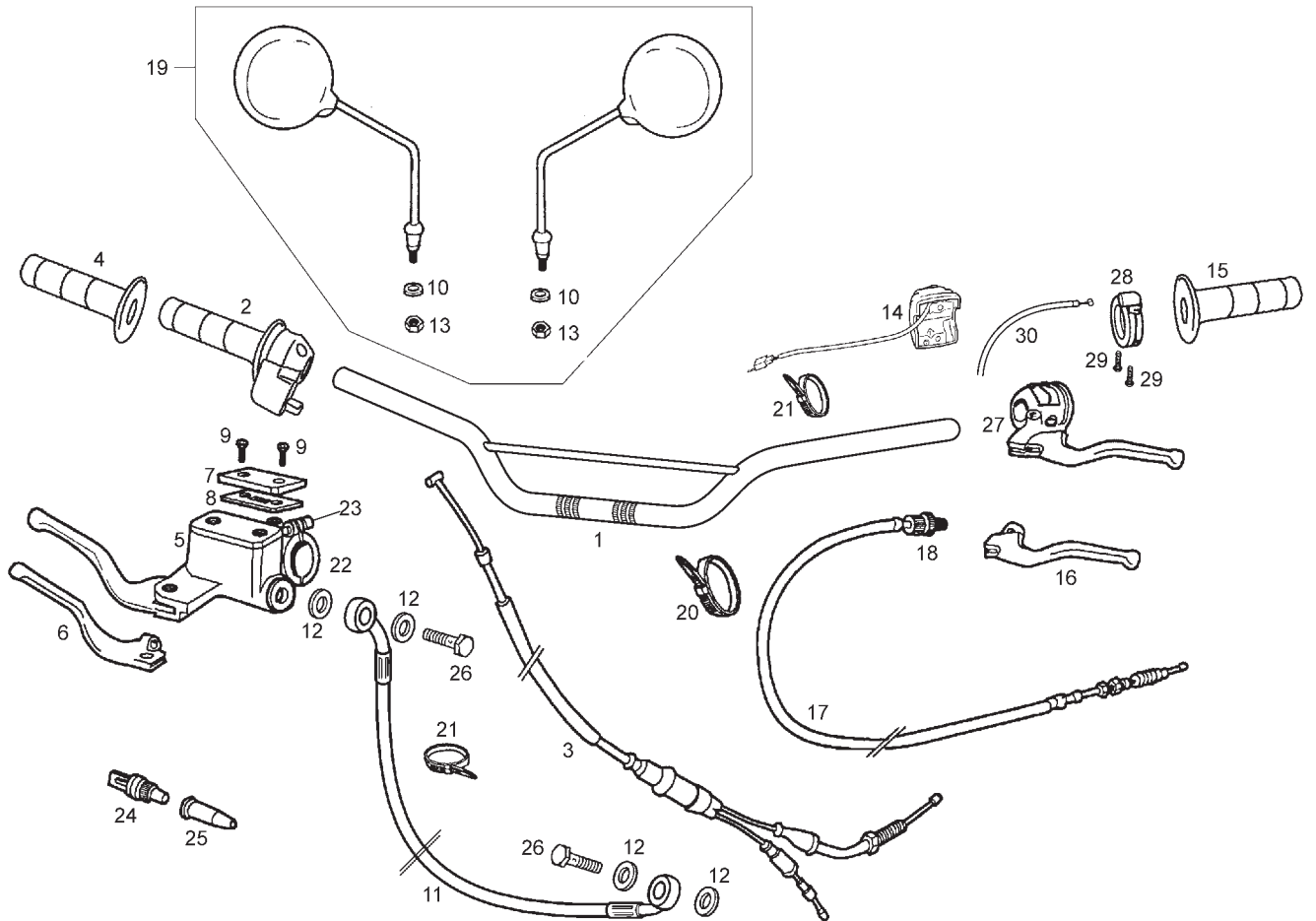


Fig.	Ver.	COD. KOD.	DESCRIPCIÓN DENOMINAZIONE NAME	BEZEICHUNG DESIGNATION	MOD.	NOTAS NOTES NOTA MITSCHRIFT NOTES
09A		00014041200	TORNILLO C/AR. CRUZ 4M80X12 VITE COUNTERSUNK PHILIPS SCREW	SCHRAUBE BOULON T.NOYEE	123456 789ABC DEF	
10A		00000031080	ARANDELA PLANA D8 RONDELLA WASHER	SCHEIBE RONDELLE	123456 789ABC DEF	
11A		00H00915751	R-TUBO LIQUIDO FRENO DT SUBCOMP.TUBO LIQ.FRE. BRAKE FLUID TUBE	BREMSSSCHLAUCH FLEXIBLE DE FREIN AVANT	123456 789ABC DEF	
12A		00006321040	ARANDELA JUNTA RADORD RONDELLA WASHER	SCHEIBE RONDELLE	123456 789ABC DEF	
13A		00000021080	TUERCA DADO NUT	MUTTER ECROU	123456 789ABC DEF	
14A		00H02305381	CTO.CONMUTADOR LUCES C/CABLE CONMUTATORE LUCI SWITCH	LICHTSCHALTER INVERSEUR AVEC CABLE	123456 789ABC DEF	
15A		00H00930071	EMPUÑADURA LADO EMBRAGUE R-MANOPIOLA GRIP	GRIF POIGNÉE	123456 789ABC DEF	
16A		00F00910291	R-MANETA EMBRAGUE LEVA FRIZIONE CLUTCH LEVER	KUPPLUNGSHEBEL LEVIER EMBRAYAGE	123456 789ABC DEF	
17A		00H00917301	CTO. CABLE-FUNDA EMBRAGUE CAVO-GUAINA FRIZIONE CLUTCH COVER AND CAB.SUB.ASSY.	KUPPLUNGSZUG GAINE ET CABLE DIEMBAYAGE	123456 789ABC DEF	
18A		00F00920551	R-CTO TENSOR CABLE EMBRAGUE TENSORE CABO CLUTCH CABLE TIGHTENING DEVIC	SHELLE COLLIER FIX ELIERE	123456 789ABC DEF	
19A		865599	KIT ESPEJOS RETROVISORES SPECCHIETO RETROVISO REAR MIRROR	SPIEGEL MIRROIR RETROVISEUR	123456 789ABC DEF	

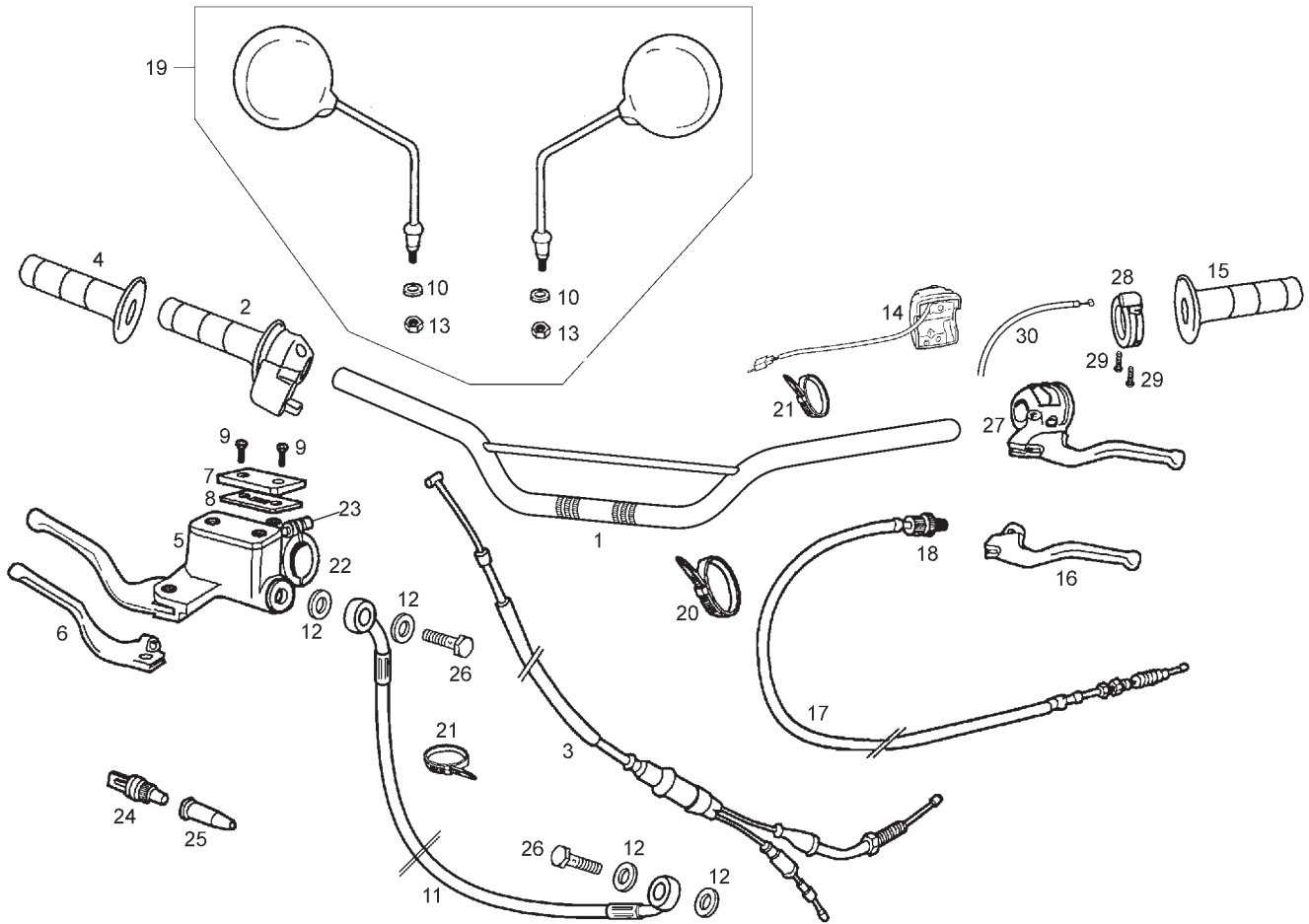
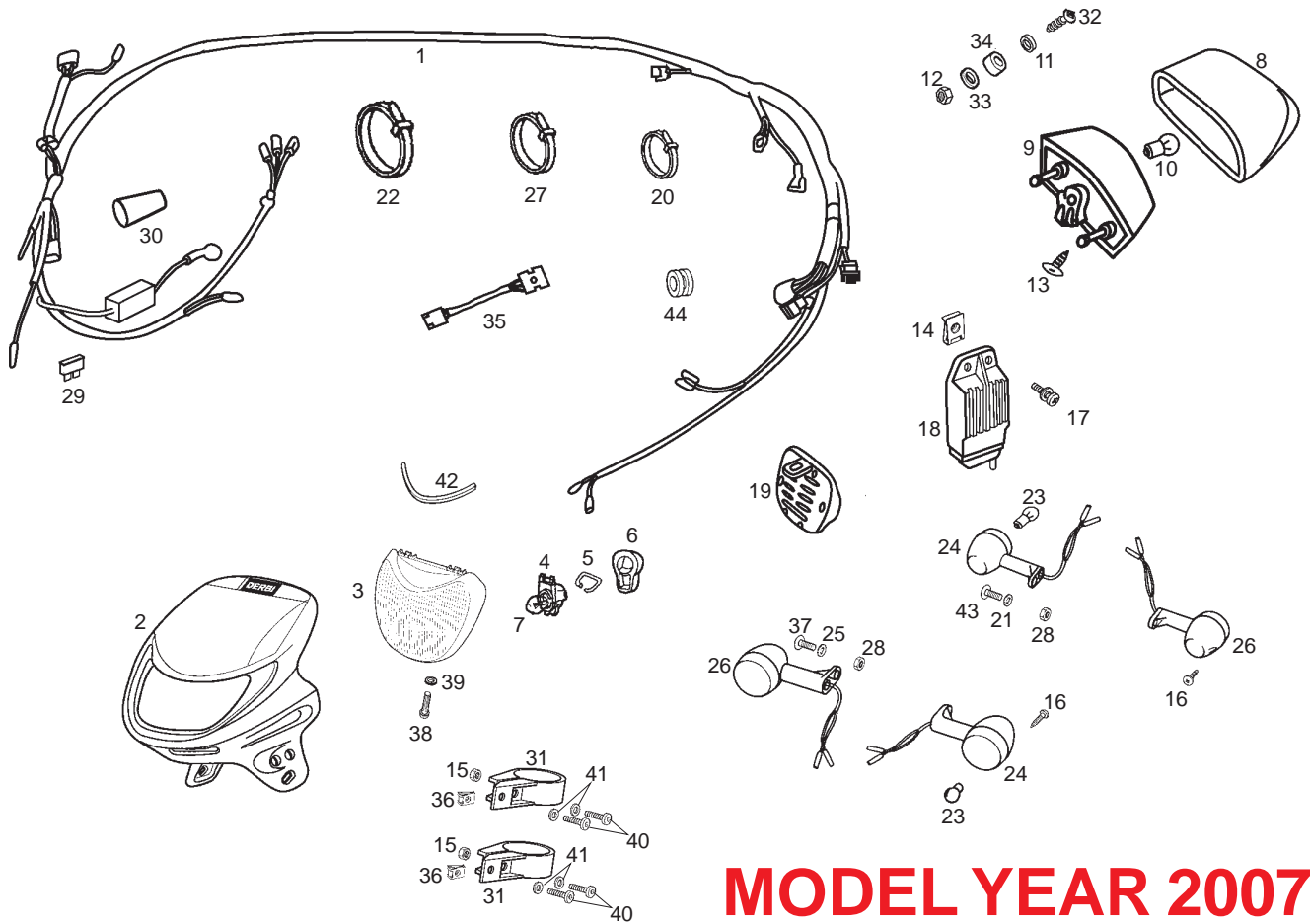


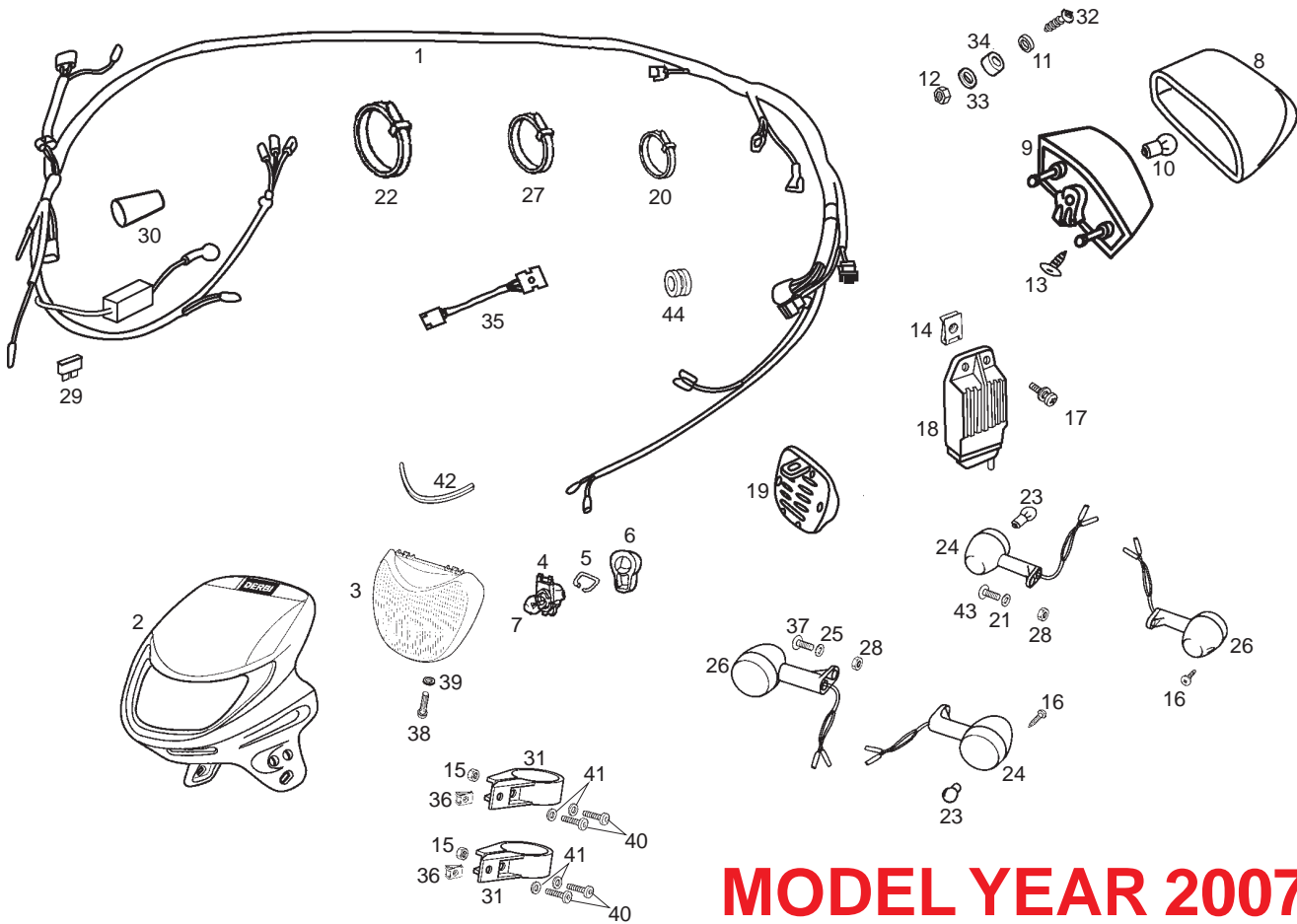
Fig.	Ver.	COD. KOD.	DESCRIPCIÓN DENOMINAZIONE NAME	BEZEICHNUNG DESIGNATION	MOD.	NOTAS NOTES NOTA MITSCHRIFT NOTES
20A		00D00900531	BRIDA 140 X 3,6 FLANGIA UNIONE CAVI BLACK CABLE TIE	KABELBINDER COLLIER	123456 789ABC DEF	
21A		00D00900531	BRIDA 140 X 3,6 FLANGIA UNIONE CAVI BLACK CABLE TIE	KABELBINDER COLLIER	123456 789ABC DEF	
22A		00D02100901	R-BRIDA FIJ. MANDO FRENO DT. CAVALLOTO FISSAGIO POMPA CLAMP	BEF.-SCHELLE ENTRETOISE	123456 789ABC DEF	
23A		00004061600	TORNILLO C/ALLEN 6M100X16 VITE SCREW	SCHRAUBE VIS	123456 789ABC DEF	
24A		00D01000701	INTERRUPTOR MANDO STOP. INTERRUTTORE STOP SWITCH, STOP LIGHT	STOPCHALTER VO. INTERRUPTEUR COMMANDE STOP	123456 789ABC DEF	
25A		00005010760	CAPUCHON INTERRUPTOR STOP CAPPuccio INTERRUTTORE STOP NE RUBBER COVER, STOP LIGHT SWITCH	GUMMISCHUTZ STOPLICHTSCHAL CAPUCHON	123456 789ABC DEF	
26A		00006309260	RACORD TUBO HIDRAULICO RACCORDO TUBO IDRAULICO HYDRAULIC TUBE CONNECTOR	STUTZEN HIDRAULIKLEITUNG RACCORD TUYAU HYDRAULIQUE	123456 789ABC DEF	
27A		00H02105611	CTO. PORTAMANETA IZQUIERDO PORTAMANOPIOLA SINIST LEFT LEVER BRACKET	BREMSHEBEL LINKS KOMPLETT ENS. PORTE-MANETTE GAUCHE	123456 789ABC DEF	
28A		00G00901661	CTO MANETA AIRE LEVA ARIA AIR LEVER	LUFTHABEL LEVIER	3 6 9 C F	SINCE FRAME 9H433718
29A		861621	TORNILLO C/AVELLANADA 2,5x9,5 VITE SCREW	SCHRAUBE VIS	3 6 9 C F	SINCE FRAME 9H433718
30A		861305	CABLE-FUNDA AIRE CAVO ARIA AIR CABLE	LUFTKABEL CABLE DE AIR	3 6 9 C F	SINCE FRAME 9H433718

**PIEZAS CON CALCAS
PARTS WITH DECALS**



MODEL YEAR 2007

Fig.	Ver.	COD. KOD.	DESCRIPCIÓN DENOMINAZIONE NAME	BEZEICHNUNG DESIGNATION	MOD.	NOTAS NOTES NOTA MITSCHRIFT NOTES
01A		00H01046301	CTO.INSTALACION ELECTRICA IMPIANTO ELETTRICO ELECTRICAL INSTALATIONS ASSY.	KOBELBAUM FAISCEAU ELECTRIQUE	123 456 789	
02A		00H02258876	CARCASA FARO CARCASA FARO HEADLIGHT CUSING SUB-ASSEMBLY	SCHEINWERFERVERKLEIDUNG PLAQUE PHARE	123	
02B		00H02259871	CARCASA FARO CARCASA FARO HEADLIGHT CUSING SUB-ASSEMBLY	SCHEINWERFERVERKLEIDUNG PLAQUE PHARE	456 789	
03A		00H01012011	CTO FARO DT FARO ANTERIORE HEADLIGHT LENS SUB-ASSEMBLY	SCHEINWERFER OPTIQUE COMPLETE	123 456 789	
04A		00003710110	R-PORTALAMPARAS PORTA-LAMPADE BULB HOLDER	LAMPENHALTER R-PORTE-LAMPES	123 456 789	
05A		00003710120	R-MUELLE PORTLAMPARAS R- MOLLA PORTALAMPADE BULB HOLDER SPRING	FEDER F. LAMPENHALTER R-RESSORT PORTE-LAMPES	123 456 789	
06A		00H05703141	R-PROTECTOR PORTALAMPARAS R-PROTEZIONE PORTA LAMPADA FA HEADLAMP BULB HOLDER PROTC	LAMPENDECKEL R-PROT.PORTE-LAMPES	123 456 789	
07A		00H01000131	LAMPARA FARO.12V.35/35W. LAMPADA FARO HEADLIGHT BULB	SCHEINWERFERLAMPE TUBE PHARE	123 456 789	
08A		00H01002341	R-CRISTAL PILOTO VETRO SPIA/STOP LENS, TAILLIGHT	RUCK LIGHTCELLONES CABOCHON DE FEU ARRIERE	123 456 789	
09A		00H01006321	CTO.FARO PILOTO FANALINO POSTERIORE TAIL LIGHT ASSY	RUCKLIGHT FEU ARRIERE	123 456 789	
10A		00H01000371	LAMP.PILOTO-STOP.12V.21/5W. LAMPADA FANALINO POSTERIORE BULB, TAILLIGHT/STOP	BIRNE BREMSLIGHT LAMPE-TEMOIN-STOP	123 456 789	

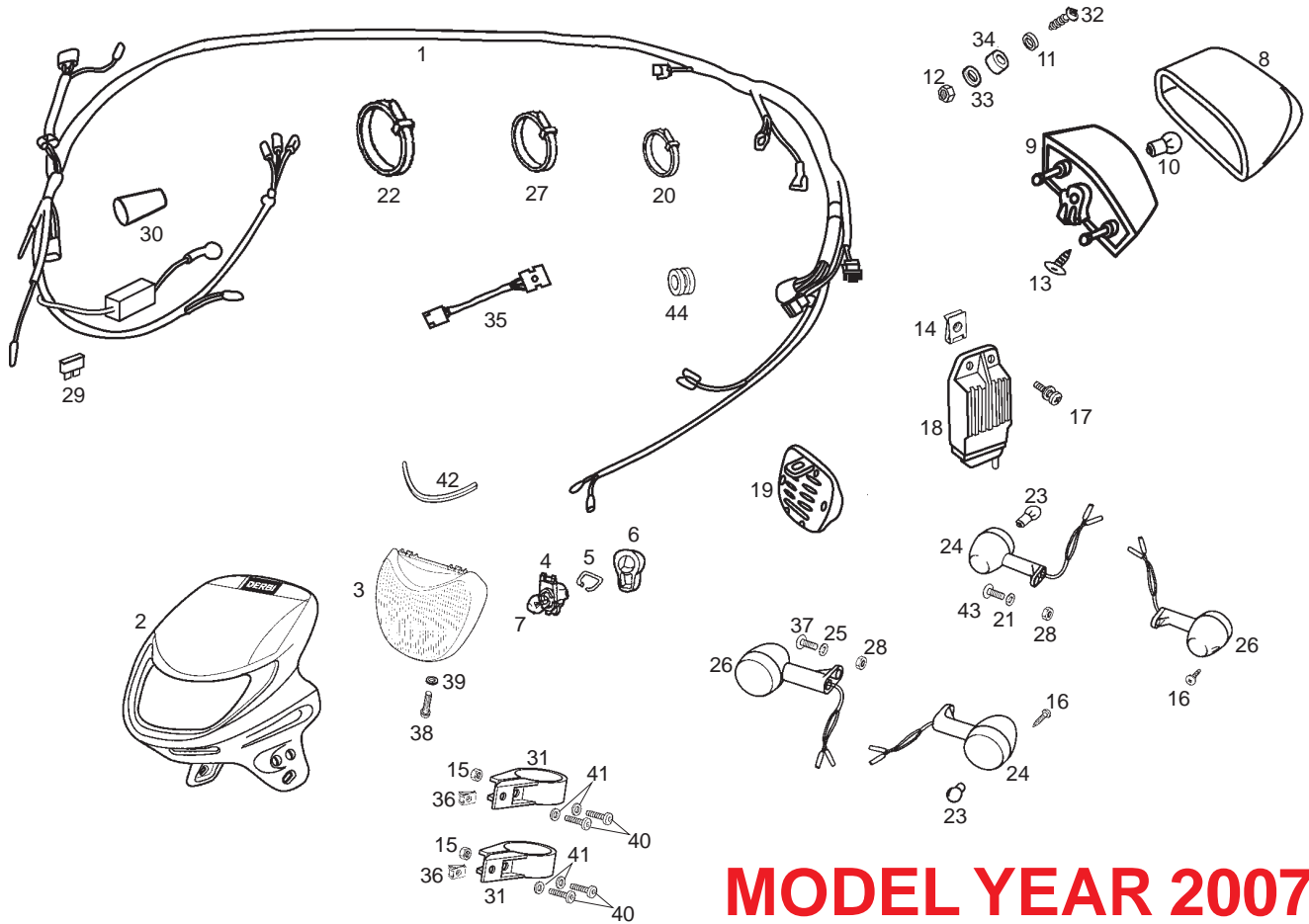


**PIEZAS CON CALCAS
PARTS WITH DECALS**

MODEL YEAR 2007

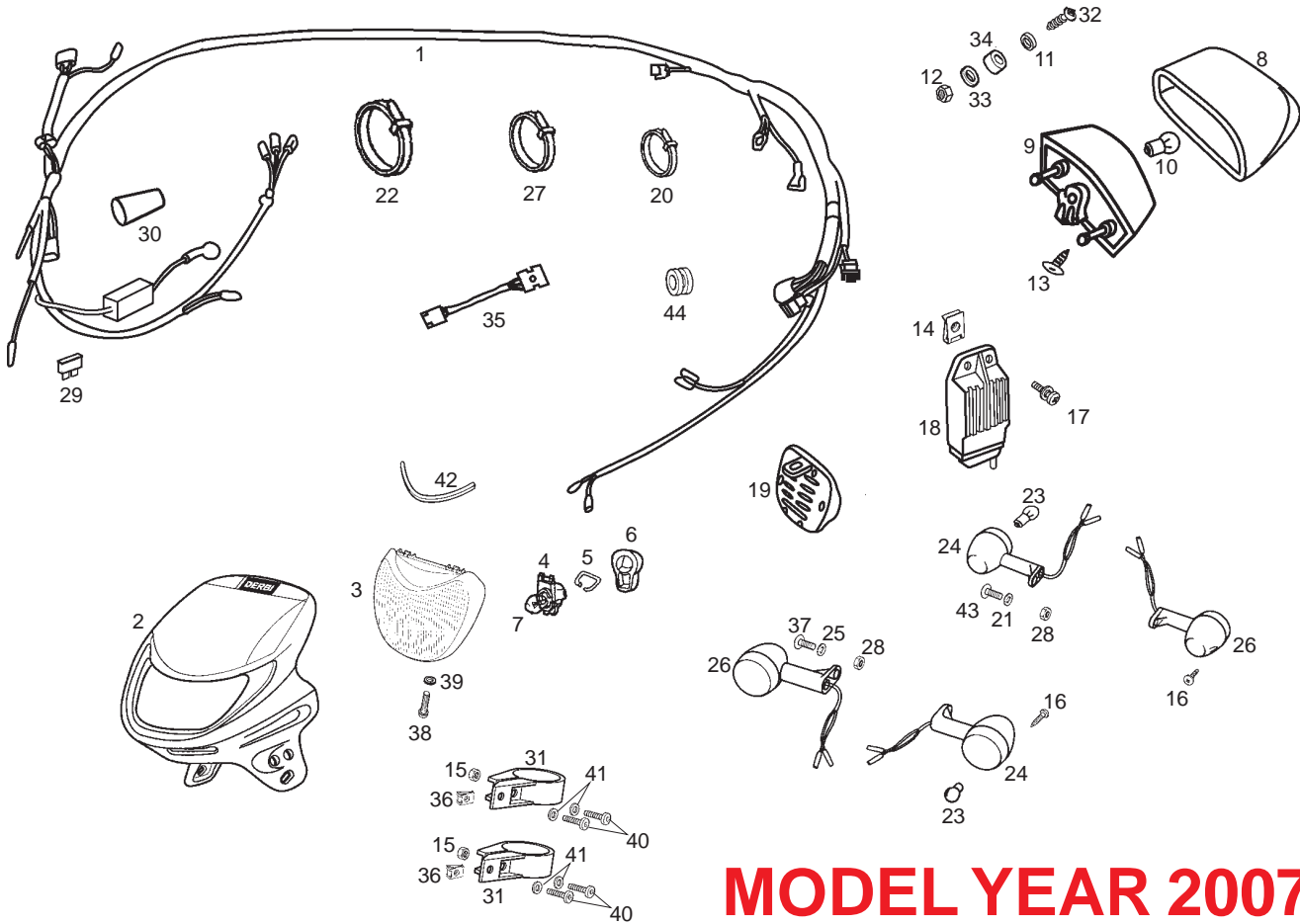
Fig.	Ver.	COD. KOD.	DESCRIPCIÓN DENOMINAZIONE NAME	BEZEICHUNG DESIGNATION	MOD.	NOTAS NOTES NOTA MITSCHRIFT NOTES
11A		00H03800722	ARANDELA TOPE MUELLE EMBRAGUE RONDELLA WASHER	SCHEIBE RONDELLE	123456 789	
12A		00000023051	TUERCA AUTOBLOCANTE 5M80 DADO NUT	MUTTER ECROU	123456 789	
13A		00G01001571	R-TORNILLO FIJ.FARO PILOTO VITE SCREW	SCHRAUBE VIS	123456 789	
14A		00D01501371	TUERCA FIJACION D6 DADO NUT	MUTTER ECROU	123456 789	
15A		00000021050	TUERCA EXAGONAL 5M80 DADO NUT	MUTTER ECROU	123456 789	
16A		00011021300	TORNILLO AUTR.C/CRUZ.2,9X13 VITE SCREW	SCHRAUBE VIS	123456 789	
17A		00D05900081	SCTO TORNILLO 6M100X16 VITE SCREW	SCHRAUBE VIS	123456 789	
18A		864660	REGULADOR AC/DC REGULATORE TENSIONE REGULATOR	SPANNUNGSREGLER REGULATEUR AC/DC	123456 789	
19A		00H01005311	CTO. CLAXON CLACSON HORN ASSEMBLY	HUPE KLAXON COMPLET	123456 789	
20A		00D00900531	BRIDA 140 X 3,6 FLANGIA UNIONE CAVI BLACK CABLE TIE	KABELBINDER COLLIER	123456 789	
21A		00D01200171	ARANDELA D6 RONDELLA WASHER	SCHEIBE RONDELLE	123456 789	

**PIEZAS CON CALCAS
PARTS WITH DECALS**



MODEL YEAR 2007

Fig.	Ver.	COD. KOD.	DESCRIPCIÓN DENOMINAZIONE NAME	BEZEICHUNG DESIGNATION	MOD.	NOTAS NOTES NOTA MITSCHRIFT NOTES
22A		00F00900531	BRIDA 290 X 4,8 FLANGIA UNIONE CAVI BLACK CABLE TIE	KABELBINDER COLLIER	123 45 6 789	
23A		0000A517011	BOMBILLA INTERMITENTES LAMPADA INDICATOR LIGHT BULB	BLINKLICHTLAMPE TUBE PHARES CLIGNOTANTS	123 45 6 789	
24A		00H01703301	CTO.FARO INTTE.TR.DR.ROUND INDIC.DIREZIONE TURN SIGNAL LIGHT REAR RH	BLINKR HINTEN GLIGNOTEURS AR. DROITE	123 45 6 789	
25A		00031106000	ARANDELA PLANA D6 RONDELLA WASHER	SCHEIBE ROND.PLATE MECANISEE	123 45 6 789	
26A		00H01703391	CTO.FARO INTTE.TR.IZQ.ROUND COMP.INDIC.DIREZIONE TURN SIGNAL LIGHT REAR LEFT	BLINKR HINTEN GLIGNOTEURS AR. GAUCHE	123 45 6 789	
27A		00D00900531	BRIDA 200 X 3,6 FLANGIA UNIONE CAVI BLACK CABLE TIE	KABELBINDER COLLIER	123 45 6 789	
28A		00000023060	TUERCA AUTOBLOCANTE 6M100 DADO NUT	MUTTER ECROU	123 45 6 789	
29A		00H01001911	FUSIBLE 7,5 AMP FUSIBILE FUSE	FUSE FUSIBLE	123 45 6 789	
30A		00H02300961	PROTECTOR INSTALACION PROTEZIONE WIRING HARNESS CONNECTOR	SHUTZ PROTECTION CONNEXIONS INSTALLA	123 45 6 789	
31A		861000	BRIDA FIJACION CARCASA FLANGIA CLAMP	BEF.-SCHELLE ENTRETOISE	123 45 6 789	UNTIL FRAME 7H351754
31B		00H04612841	BRIDA FIJACION CARCASA FLANGIA CLAMP	BEF.-SCHELLE ENTRETOISE	123 45 6 789	BETWEEN 7H351755 7H357380

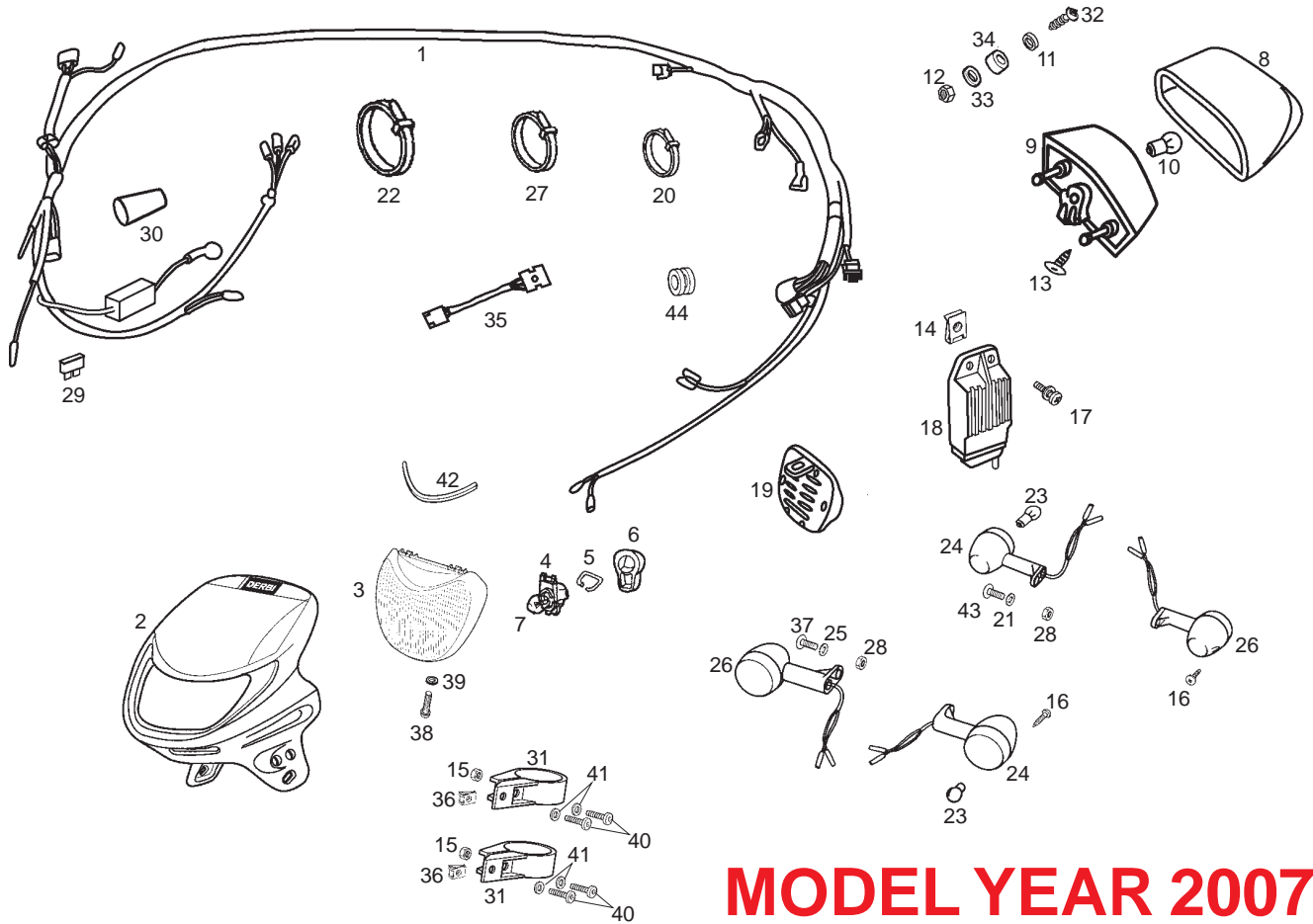


**PIEZAS CON CALCAS
PARTS WITH DECALS**

MODEL YEAR 2007

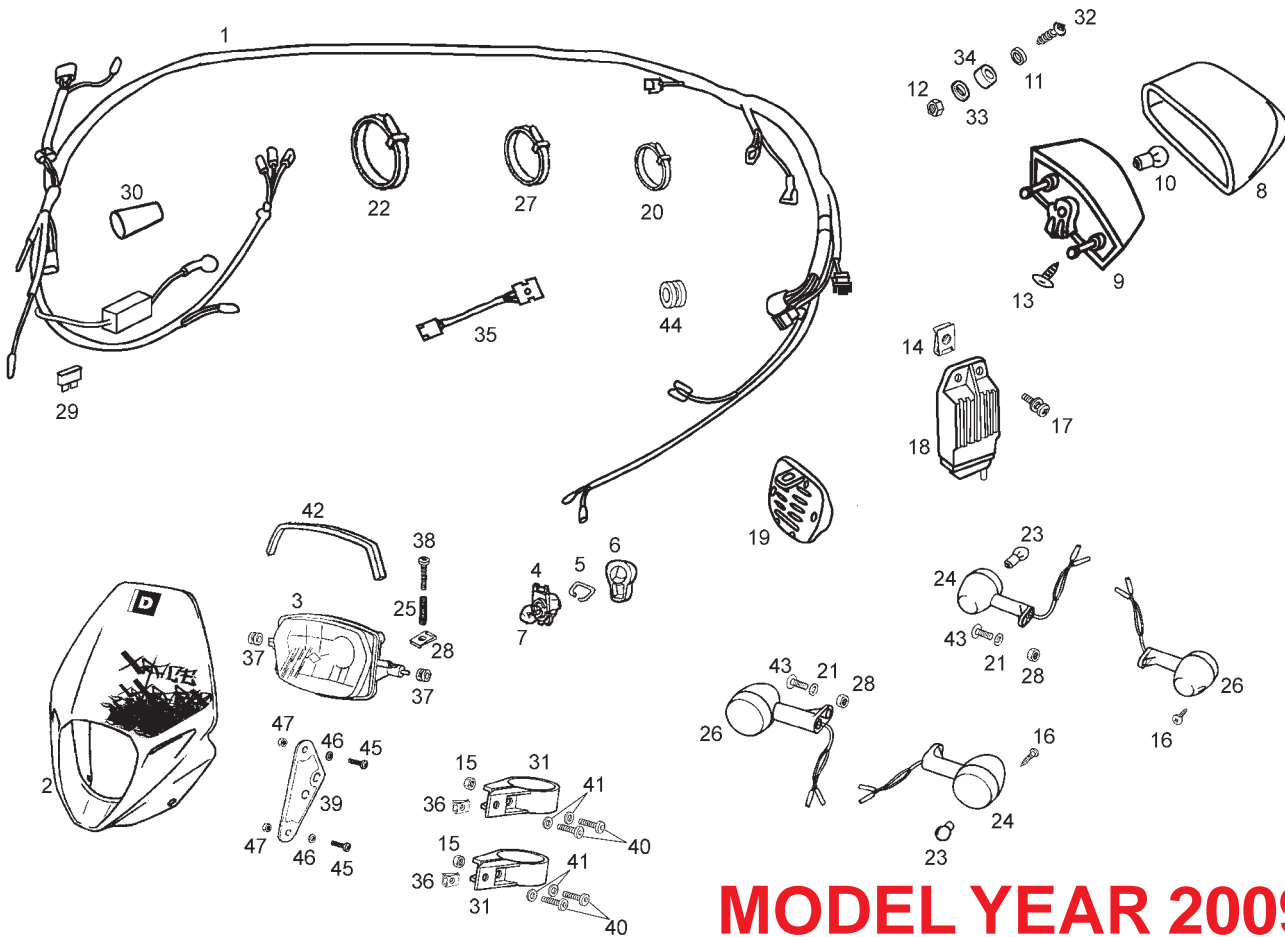
Fig.	Ver.	COD. KOD.	DESCRIPCIÓN DENOMINAZIONE NAME	BEZEICHNUNG DESIGNATION	MOD.	NOTAS NOTES NOTA MITSCHRIFT NOTES
31C		861000	BRIDA FIJACION CARCASA FLANGIA CLAMP	BEF.-SCHELLE ENTRETOISE	123456 789	SINCE FRAME 7H357381
32A		00004053500	TORNILLO C/ALLEN 5 X 35 VITE BOLT	INBUSSCHRAUBE VIS	123456 789	
33A		00H01002821	CASQUILLO GHIERA BEARING	LAGER COUSSINET	123456 789	
34A		00H06800461	SILENTB.FIJ.SOPTE.CARENADO SILENTBLOCK FISS.SUPORTO FAIRING MOUNTING BRACKET SECUR	SILENTBLOCK SILENTBLOC	123456 789	
35A		00H05700481	CTO.TEMPORIZADOR CHECK IND. TEMPORIZZATORE CHECK INP. TIMER CHECK INDICATOR	ZEITSCHALTER FAISCEAU COMPTEUR	123456 789	
36A		00G04401462	TUERCA FIJACION D5 DADO NUT	MUTTER ECROU	123456 789	
37A		00008062000	TORNILLO C/RED ALLEN 6M100X20 VITE SCREW	SCHRAUBE VIS	123456 789	
38A		00000004412	TORNILLO C/ALLEN 4M70X12 VITE SCREW	SCHRAUBE VIS	123456 789	
39A		00H03800722	ARANDELA RONDELLA WASHER	SCHEIBE RONDELLE	123456 789	
40A		00008051600	TORNILLO C/ESF ALLEN 5M80X16 VITE SCREW	SCHRAUBE VIS	123456 789	
41A		00000031050	ARANDELA PLANA D5 RONDELLA WASHER	SCHEIBE RONDELLE	123456 789	

**PIEZAS CON CALCAS
PARTS WITH DECALS**



MODEL YEAR 2007

Fig.	Ver.	COD. KOD.	DESCRIPCIÓN DENOMINAZIONE NAME	BEZEICHUNG DESIGNATION	MOD.	NOTAS NOTES NOTA MITSCHRIFT NOTES
42A		00H05701101	TOPE FERMO FARO HEADLIGHT STOP	ANSCHLAG SCHEINWERFER BUTEE PHARE	123 456 789	
43A		00008061500	TORNILLO C/RED ALLEN 6M100X16 VITE SCREW	SCHRAUBE VIS SCREW	123 456 789	
44A		864587	PROTECTOR GUIA CABLES PROTEZIONE RUBBER, CABLE PROTECTOR	GUMMI PASSE-CABLE	123 456 789	

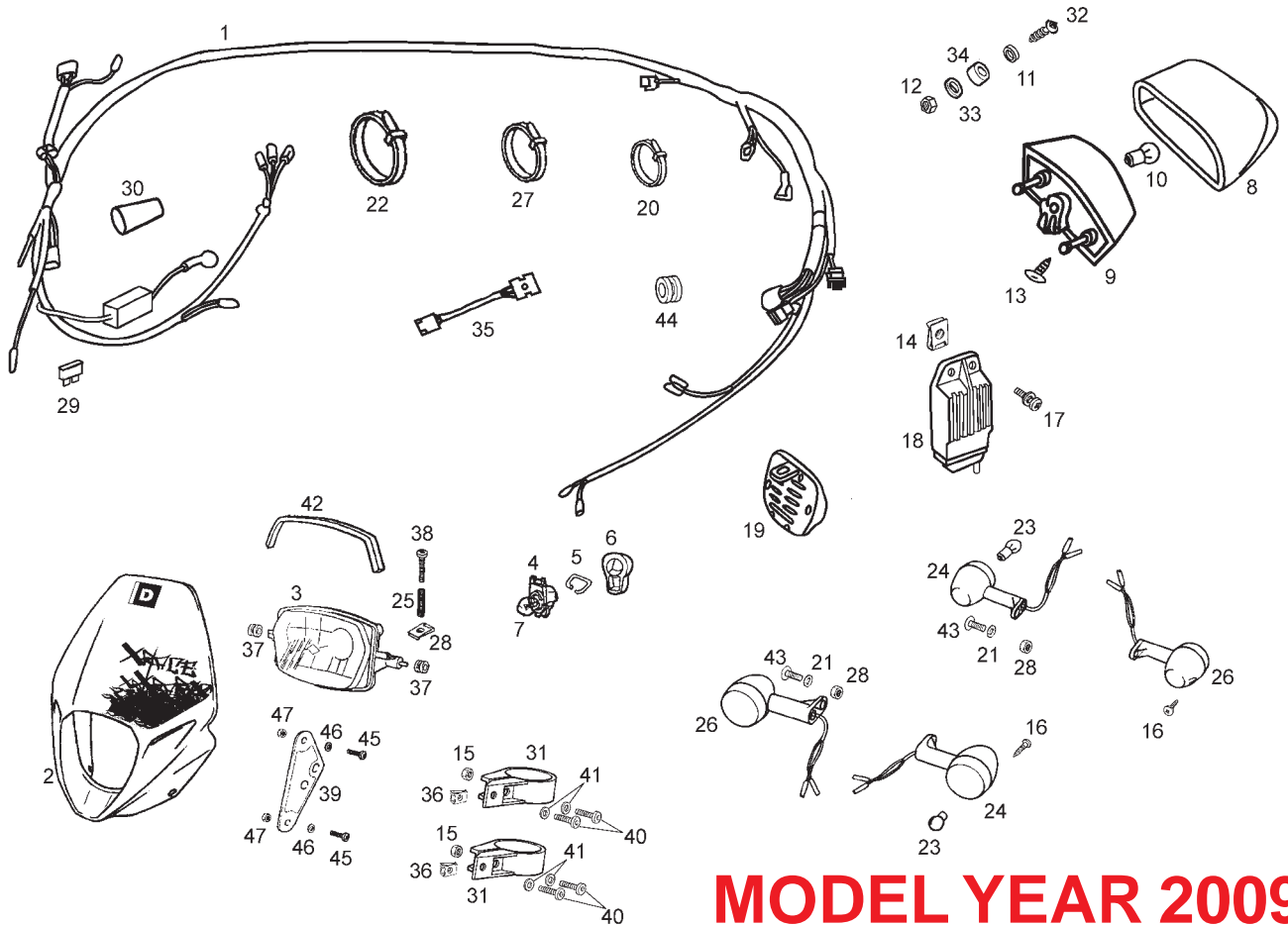


**PIEZAS CON CALCAS
PARTS WITH DECALS**

MODEL YEAR 2009

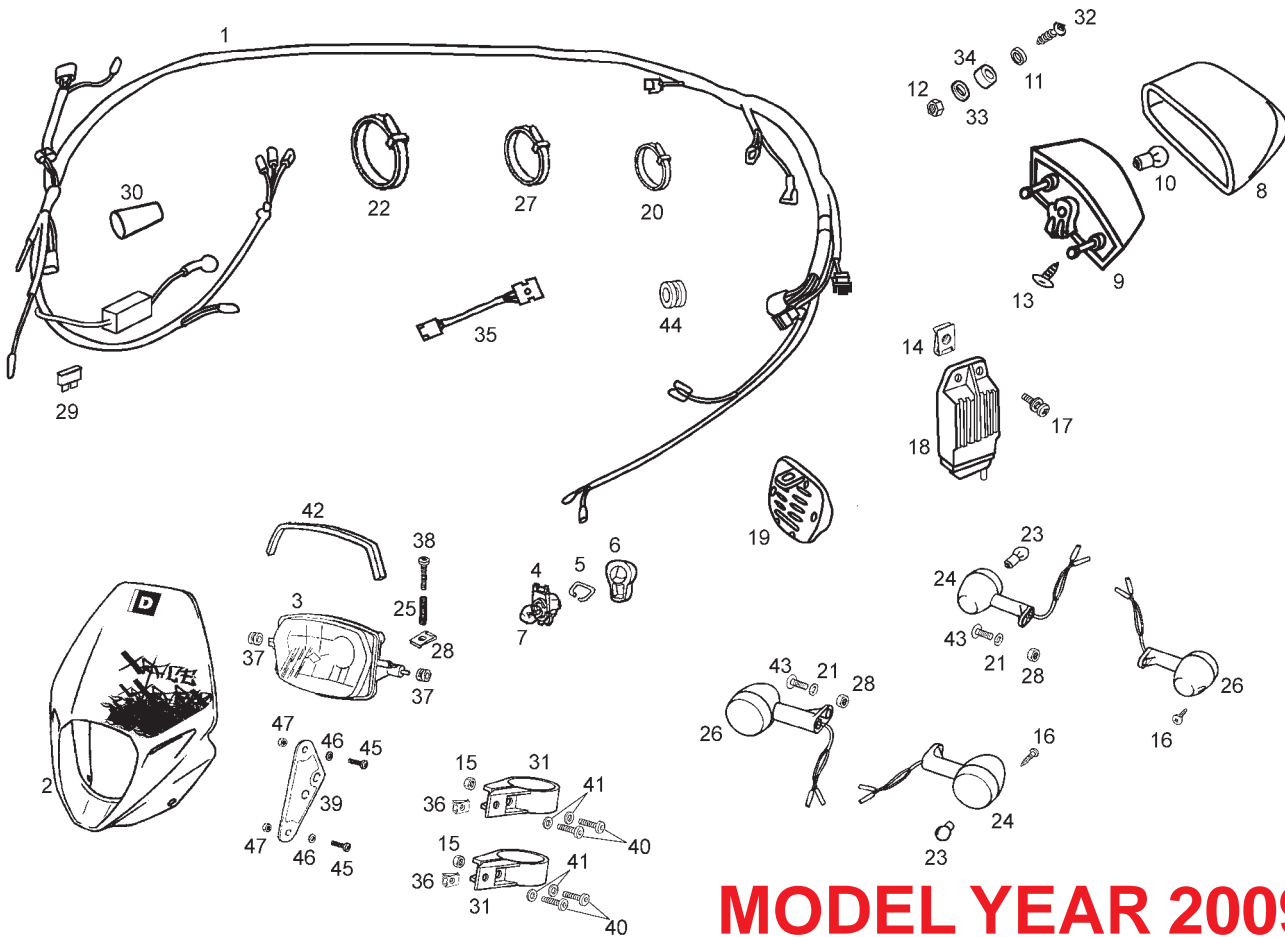
Fig.	Ver.	COD. KOD.	DESCRIPCIÓN DENOMINAZIONE NAME	BEZEICHUNG DESIGNATION	MOD.	NOTAS NOTES NOTA MITSCHRIFT NOTES
01A		00H01046301	CTO.INSTALACION ELECTRICA IMPIANTO ELETTRICO ELECTRICAL INSTALATIONS ASSY.	KOBELBAUM FAISCEAU ELECTRIQUE	ABC DEF	
02A		86571401W0N	CARCASA FARO CARCASA FARO HEADLIGHT CUSING SUB-ASSEMBLY	SCHEINWERFERVERKLEIDUNG PLAQUE PHARE	ABC DEF	
03A		00H01015011	CTO FARO DT FARO ANTERIORE HEADLIGHT LENS SUB-ASSEMBLY	SCHEINWERFER OPTIQUE COMPLETE	ABC DEF	
04A		00003710110	R-PORTALAMPARAS PORTA-LAMPADE BULB HOLDER	LAMPENHALTER R-PORTE-LAMPES	ABC DEF	
05A		00003710120	R-MUELLE PORTLAMPARAS R- MOLLA PORTALAMPADE BULB HOLDER SPRING	FEDER F. LAMPENHALTER R-RESSORT PORTE-LAMPES	ABC DEF	
06A		00H05703141	R-PROTECTOR PORTALAMPARAS R-PROTEZIONE PORTA LAMPADA FA HEADLAMP BULB HOLDER PROTC	LAMPENDECKEL R-PROT.PORTE-LAMPES	ABC DEF	
07A		00H01000131	LAMPARA FARO.12V.35/35W. LAMPADA FARO HEADLIGHT BULB	SCHEINWERFERLAMPE TUBE PHARE	ABC DEF	
08A		00H01002341	R-CRISTAL PILOTO VETRO SPIA/STOP LENS, TAILLIGHT	RUCK LIGHTCELLONES CABOCHON DE FEU ARRIERE	ABC DEF	
09A		00H01006321	CTO.FARO PILOTO FANALINO POSTERIORE TAIL LIGHT ASSY	RUCKLIGHT FEU ARRIERE	ABC DEF	
10A		00H01000371	LAMP.PILOTO-STOP.12V.21/5W. LAMPADA FANALINO POSTERIORE BULB, TAILLIGHT/STOP	BIRNE BREMSLIGHT LAMPE-TEMOIN-STOP	ABC DEF	
11A		00H03800722	ARANDELA TOPE MUELLE EMBRAGUE RONDELLA WASHER	SCHEIBE RONDELLE	ABC DEF	

**PIEZAS CON CALCAS
PARTS WITH DECALS**



MODEL YEAR 2009

Fig.	Ver.	COD. KOD.	DESCRIPCIÓN DENOMINAZIONE NAME	BEZEICHUNG DESIGNATION	MOD.	NOTAS NOTES NOTA MITSCHRIFT NOTES
12A		0000023051	TUERCA AUTOBLOCANTE 5M80 DADO NUT	MUTTER ECROU	ABC DEF	
13A		00G01001571	R-TORNILLO FIJ.FARO PILOTO VITE SCREW	SCHRAUBE VIS	ABC DEF	
14A		00D01501371	TUERCA FIJACION D6 DADO NUT	MUTTER ECROU	ABC DEF	
15A		0000021050	TUERCA EXAGONAL 5M80 DADO NUT	MUTTER ECROU	ABC DEF	
16A		00011021300	TORNILLO AUTR.C/CRUZ.2,9X13 VITE SCREW	SCHRAUBE VIS	ABC DEF	
17A		00D05900081	SCTO TORNILLO 6M100X16 VITE SCREW	SCHRAUBE VIS	ABC DEF	
18A		864660	REGULADOR AC/DC REGOLATORE TENSIONE REGULATOR	SPANNUNGSREGLER REGULATEUR AC/DC	ABC DEF	
19A		00H01005311	CTO. CLAXON CLACSON HORN ASSEMBLY	HUPE KLAXON COMPLET	ABC DEF	
20A		00D00900531	BRIDA 140 X 3,6 FLANGIA UNIONE CAVI BLACK CABLE TIE	KABELBINDER COLLIER	ABC DEF	
21A		00000031050	ARANDELA D5 RONDELLA WASHER	SCHEIBE RONDELLE	ABC DEF	
22A		00F00900531	BRIDA 290 X 4,8 FLANGIA UNIONE CAVI BLACK CABLE TIE	KABELBINDER COLLIER	ABC DEF	

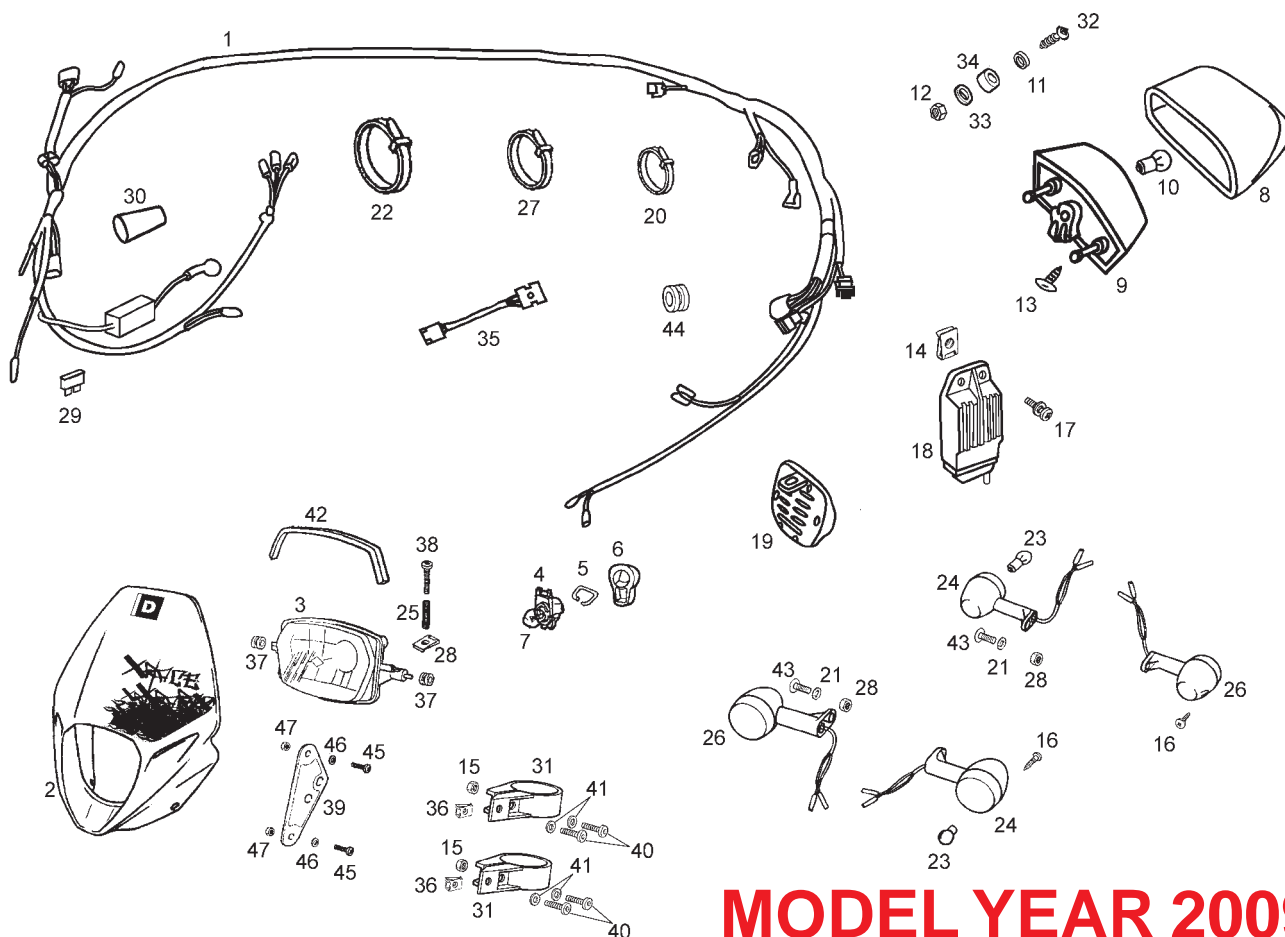


**PIEZAS CON CALCAS
PARTS WITH DECALS**

MODEL YEAR 2009

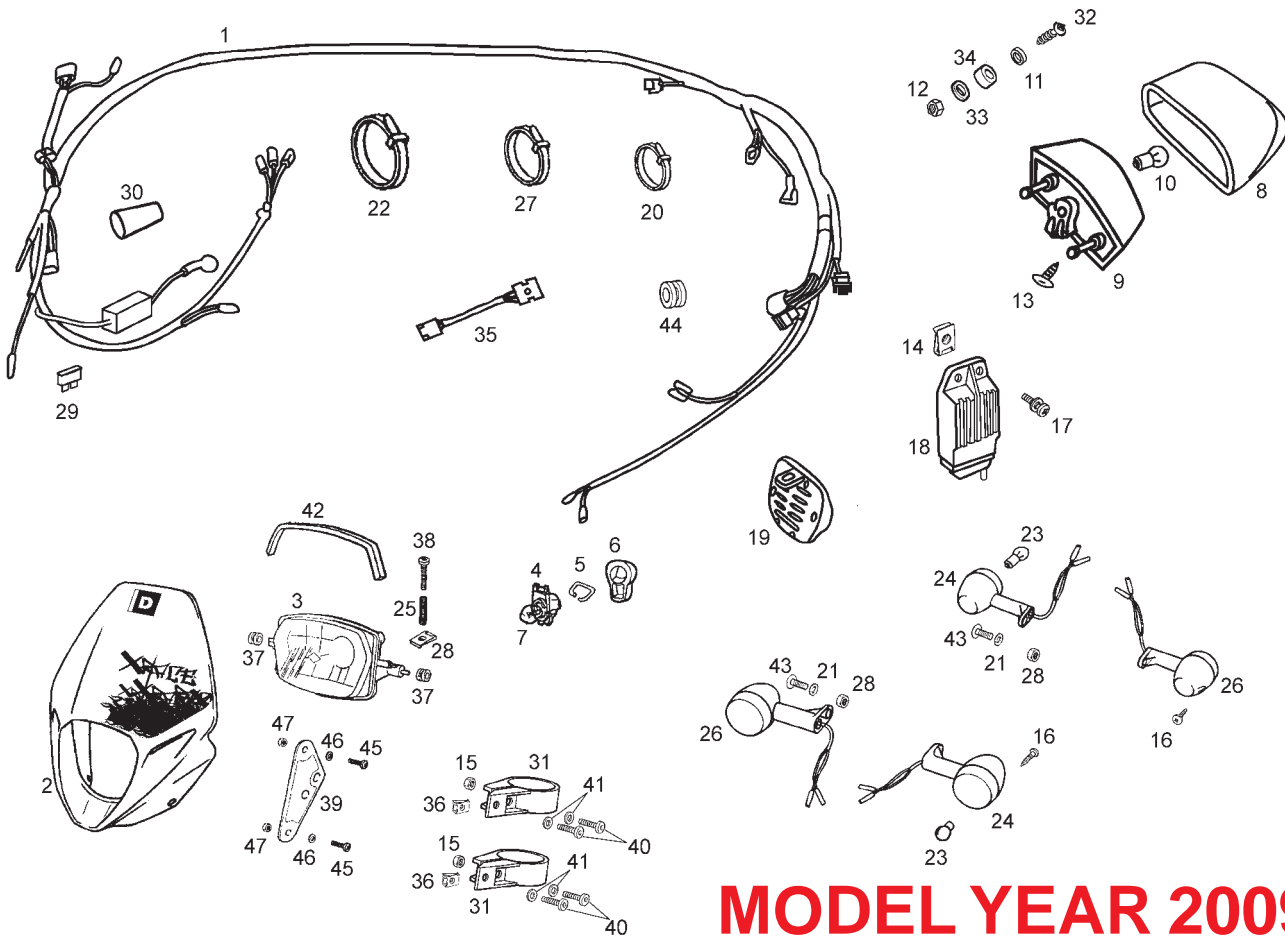
Fig.	Ver.	COD. KOD.	DESCRIPCIÓN DENOMINAZIONE NAME	BEZEICHUNG DESIGNATION	MOD.	NOTAS NOTES NOTA MITSCHRIFT NOTES
23A		0000A517011	BOMBILLA INTERMITENTES LAMPADA INDICATOR LIGHT BULB	BLINKLICHTLAMPE TUBE PHARES CLIGNOTANTS	ABC DEF	
24A		00H01703301	CTO.FARO INTTE.TR.DR.ROUND INDIC.DIREZIONE TURN SIGNAL LIGHT REAR RH	BLINKR HINTEN GLIGNOTEURS AR. DROITE	ABC DEF	
25A		00H02305501	MUELLE REGULACION FARO MOLLA FARO ANTERIORE FRONT HEAD LIGHT SPRING	SCHEINWERFER-FEDER RESSORT PHARE AVANT	ABC DEF	
26A		00H01703391	CTO.FARO INTTE.TR.IZQ.ROUND COMP.INDIC.DIREZIONE TURN SIGNAL LIGHT REAR LEFT	BLINKR HINTEN GLIGNOTEURS AR. GAUCHE	ABC DEF	
27A		00D00900531	BRIDA 200 X 3,6 FLANGIA UNIONE CAVI BLACK CABLE TIE	KABELBINDER COLLIER	ABC DEF	
28A		00000023060	TUERCA AUTOBLOCANTE 6M100 DADO NUT	MUTTER ECROU	ABC DEF	
29A		00H01001911	FUSIBLE 7,5 AMP FUSIBILE FUSE	FUSE FUSIBLE	ABC DEF	
30A		00H02300961	PROTECTOR INSTALACION PROTEZIONE WIRING HARNESS CONNECTOR	SHUTZ PROTECTION CONNEXIONS INSTALLA	ABC DEF	
31A		00H04607841	BRIDA FIJACION CARCASA FLANGIA CLAMP	BEF.-SCHELLE ENTRETOISE	ABC DEF	
32A		00004053500	TORNILLO C/ALLEN 5 X 35 VITE BOLT	INBUSSCHRAUBE VIS	ABC DEF	
33A		00H01002821	CASQUILLO GHIERA BEARING	LAGER COUSSINET	ABC DEF	

**PIEZAS CON CALCAS
PARTS WITH DECALS**



MODEL YEAR 2009

Fig.	Ver.	COD. KOD.	DESCRIPCIÓN DENOMINAZIONE NAME	BEZEICHUNG DESIGNATION	MOD.	NOTAS NOTES NOTA MITSCHRIFT NOTES
34A		00H06800461	SILENTB.FIJ.SOPTE.CARENADO SILENTBLOCK FISS.SUPORTO FAIRING MOUNTING BRACKET SECUR	SILENTBLOCK SILENTBLOC	ABC DEF	
35A		00H05700481	CTO.TEMPORIZADOR CHECK IND. TEMPORIZZATORE CHECK INP. TIMER CHECK INDICATOR	ZEITSCHALTER FAISCEAU COMPTEUR	ABC DEF	
36A		00G04401462	TUERCA FIJACION D5 DADO NUT	MUTTER ECROU	ABC DEF	
37A		00H05701061	PASACABLES CARCASA FARO PILOTO PASSACAVI CARC.FARO HEADLIGHT COSING RUBBER	KABELSCHUTZ PASSE-CABLES	ABC DEF	
38A		00012053000	TORNILLO C/RED. CRUZ 5M80X30 VITE SCREW	SCHRAUBE VIS	ABC DEF	
39A		00H01502741	SOPORTE CARCASA FARO NEGRO SUPPORTO CARC. HEADLIGHT CUSING SUPPORT	HALTERUNG SUPPORT	ABC DEF	
40A		00008051600	TORNILLO C/ESF ALLEN 5M80X16 VITE SCREW	SCHRAUBE VIS	ABC DEF	
41A		00000031050	ARANDELA PLANA D5 RONDELLA WASHER	SCHEIBE RONDELLE	ABC DEF	
42A		00H05701101	TOPE FERMO FARO HEADLIGHT STOP	ANSCHLAG SCHEINWERFER BUTEE PHARE	ABC DEF	
43A		00008063000	TORNILLO C/RED ALLEN 6M100X30 VITE SCREW	SCHRAUBE VIS	ABC DEF	
44A		864587	PROTECTOR GUIA CABLES PROTEZIONE RUBBER, CABLE PROTECTOR	GUMMI PASSE-CABLE	ABC DEF	



**PIEZAS CON CALCAS
PARTS WITH DECALS**

MODEL YEAR 2009

Fig.	Ver.	COD. KOD.	DESCRIPCIÓN DENOMINAZIONE NAME	BEZEICHNUNG DESIGNATION	MOD.	NOTAS NOTES NOTA MITSCHRIFT NOTES
45A		00012051200	TORNILLO C/R. CRUZ 5M80X12 VITE SCREW	SCHRAUBE VIS	ABC DEF	
46A		00000031050	ARANDELA PLANA D5 RONDELLA WASHER	SCHEIBE RONDELLE	ABC DEF	
47A		00026005000	TUERCA EXAGONAL C/BRIDA. 5M80 DADO NUT	MUTTER ECROU	ABC DEF	

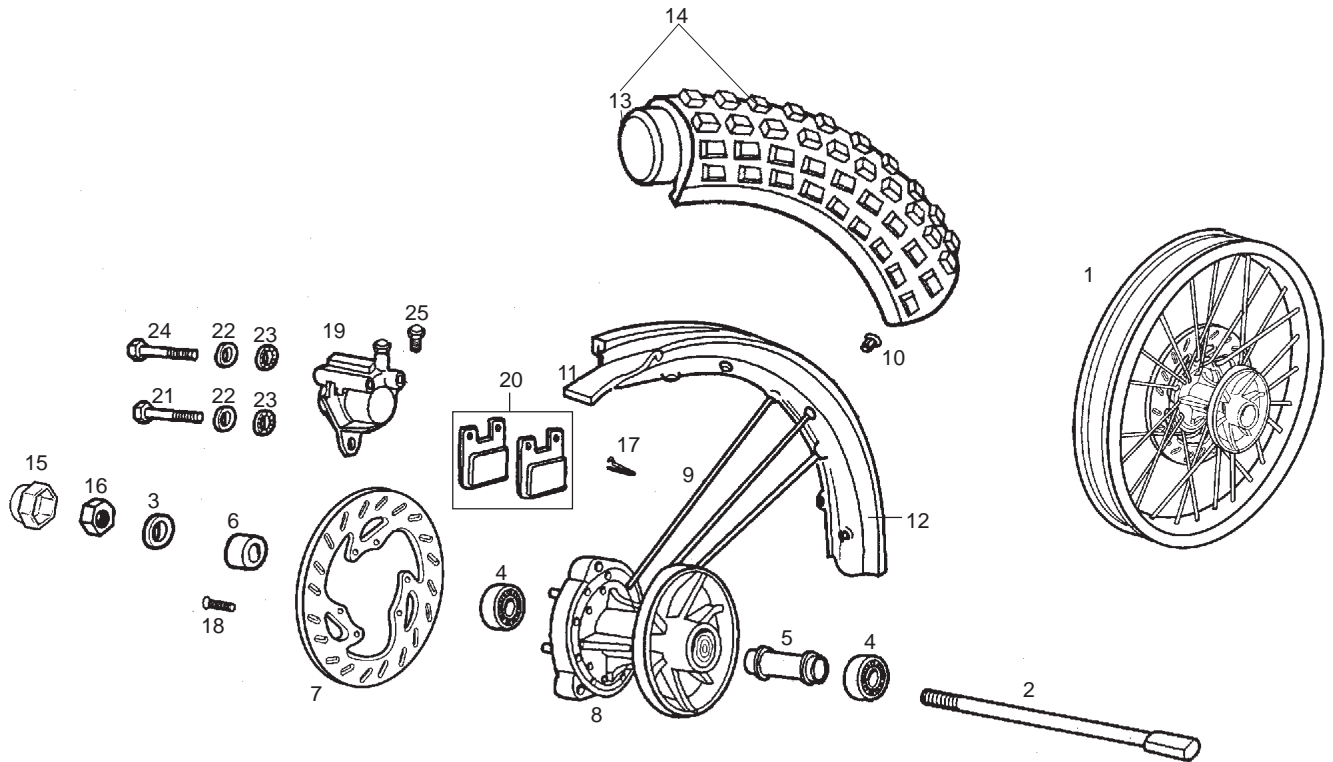


Fig.	Ver.	COD. KOD.	DESCRIPCIÓN DENOMINAZIONE NAME	BEZEICHNUNG DESIGNATION	MOD.	NOTAS NOTES NOTA MITSCHRIFT NOTES
01A		00H04724081	R-CTO RUEDA DT C/DISCO R-COMPL. RUOTA C/DISCO FRONT WHEEL W/DISC	VORDERRAD M/BREMSSCHEIBE ROUE AVEC DISQUE	123456 789ABC DEF	
02A		00H01203272	EJE RUEDA DTRA. ASSE RUOTA ANTERIORE AXLE FRONT WHEEL	VORDERRADACHSE AXE DE ROUE AV.	123456 789ABC DEF	
03A		00003112322	ARANDELA EJE RUEDA. RONDELLA ASSE RUOTA FRONT WHEEL AXLE WASHER	SHEIBE RADACHSE RONDELLE AXE ROUE	123456 789ABC DEF	
04A		00058120100	COJINETE 12.32.10 CUSCINETTO BEARING	LAGER PALIER	123456 789ABC DEF	
05A		00D01300091	SEPARADOR COJINETES SEPARATORE CUSCINETTI SPACER	DISTANZHULSE ENTRETOISE	123456 789ABC DEF	
06A		00008213182	CASQUILLO LADO PLATO CHIERA LATO PIATTO SIDEFLAGE SLEEVE	DISTANZHULSE ENTRETOISE	123456 789ABC DEF	
07A	01	00H01209021	DISCO FRENO DELANTERO DISCO FRENO ANTERIORE FRONT BRAKE DISC	SCHEIBE NBREMSE VORN DISQUE FREIN AVANT	123456 789ABC DEF	
07A		86156R	DISCO FRENO DELANTERO DISCO FRENO ANTERIORE FRONT BRAKE DISC	SCHEIBE NBREMSE VORN DISQUE FREIN AVANT	123456 789ABC DEF	
08A		00H01205711	CTO. CARRETE DTRO. MOZZO ANT. FRONT HUB ASSY	RADNABE MOYEU	123456 789ABC DEF	
09A		00H01206061	RADIO RUEDA DT RAGGIO RUOTA ANT. WHEEL ARM.	SPEICHE RAYON DE ROUE	123456 789ABC DEF	
10A		00002212070	TUERCA RADIO. DADO NUT	MUTTER ECROU	123456 789ABC DEF	

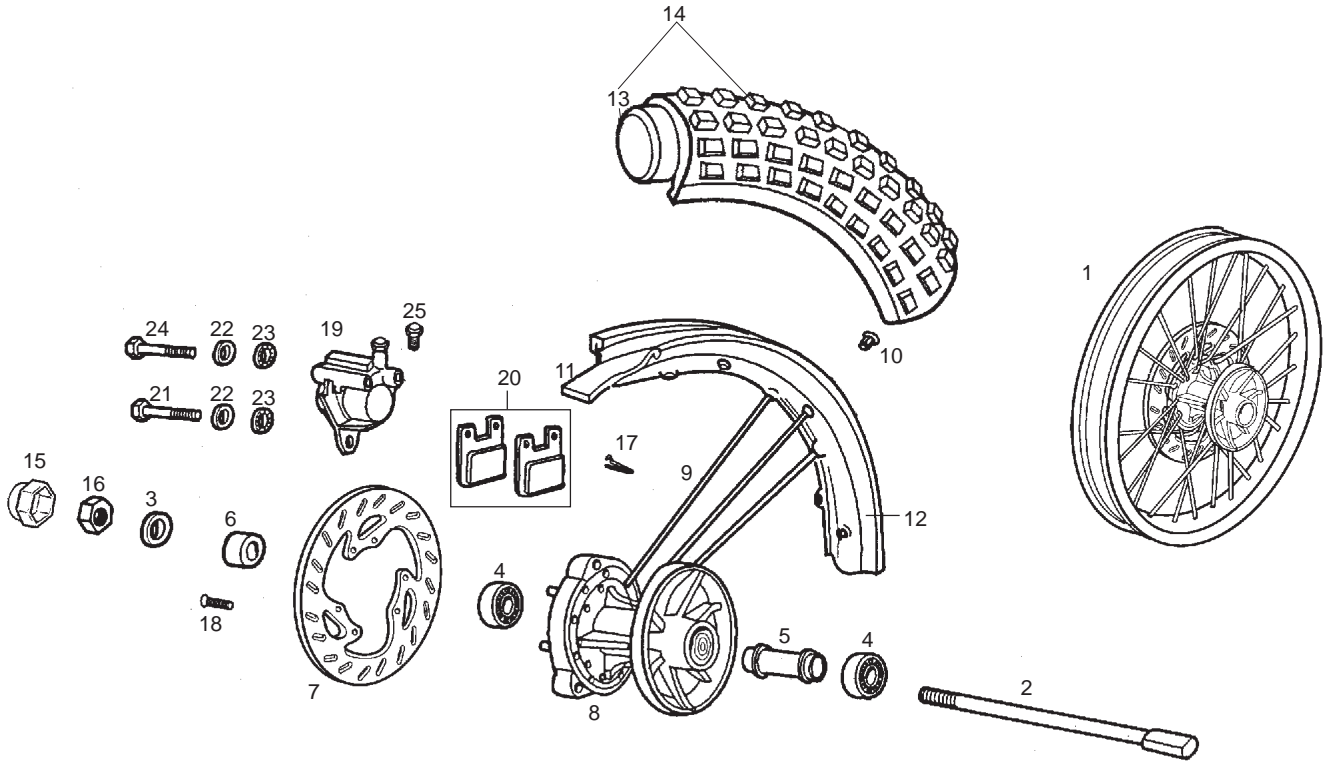


Fig.	Ver.	COD. KOD.	DESCRIPCIÓN DENOMINAZIONE NAME	BEZEICHNUNG DESIGNATION	MOD.	NOTAS NOTES NOTA MITSCHRIFT NOTES
11A		00D01201091	PROTECTOR CAMARA PROTETTORE CAMERA RUOTA RIM STRIP	FELGELBAND PROTECTEUR DE CHAMBRE A AIR	123456 789ABC DEF	
12A		00H01212082	R-LLANTA DT 1,6X21" CERCHIONE RUOTA ANT. FRONT WHEEL RIM	VORDERRADFELGE JANTE AV.	123456 789ABC DEF	
13A		00H01206101	CAMARA CAMERA DIARIA FRONT TUBE	SCHLAUCH VORNE CHAMBRE A AIR	123456 789ABC DEF	
14A		00H01208111	CTO. CUBIERTA DT 21" COPERTORE ANT. FRONT CASING	REIFEN BORN PNEU AV.	123456 789ABC DEF	
15A		00H01202331	PROTECTOR TUERCA DADO NUT	MUTTER ECROU	123456 789ABC DEF	
16A		00232120032	TUERCA EXAGONAL 12M150 DADO NUT	MUTTER ECROU	123456 789ABC DEF	
17A		00H01301831	MUELLE FIJ. PASTILLA FRENO MOLLA FISSAGGIO PASTIGLIA FREN REAR BRAKE PAD SECUR SPRING	FEDER RESSORT FIXATION PLAQUETTE	123456 789ABC DEF	
18A		00H02402282	TORNILLO FIJ.DISCO FRENO VITE SCREW	SCHRAUBE VIS	123456 789ABC DEF	
19A		00H01202193	R-CTO PINZA FRENO DT PINZA LEFT-HAND FRONT CLIP ASSY	BREMSZANGE ENS.ETRIER DE FREIN	123456 789ABC DEF	
20A		00G04700141	JUEGO PASTILLAS DE FRENO CONG. PASTIGLIE FRENO SET OF BRAKE PADS	DIE GESAMTHEIT BREMSBACKEN ENS. PLAQUETTE DE FREIN	123456 789ABC DEF	
21A		00022083021	TORNILLO 8M125X30 VITE SCREW	SCHRAUBE VIS	123456 789ABC DEF	

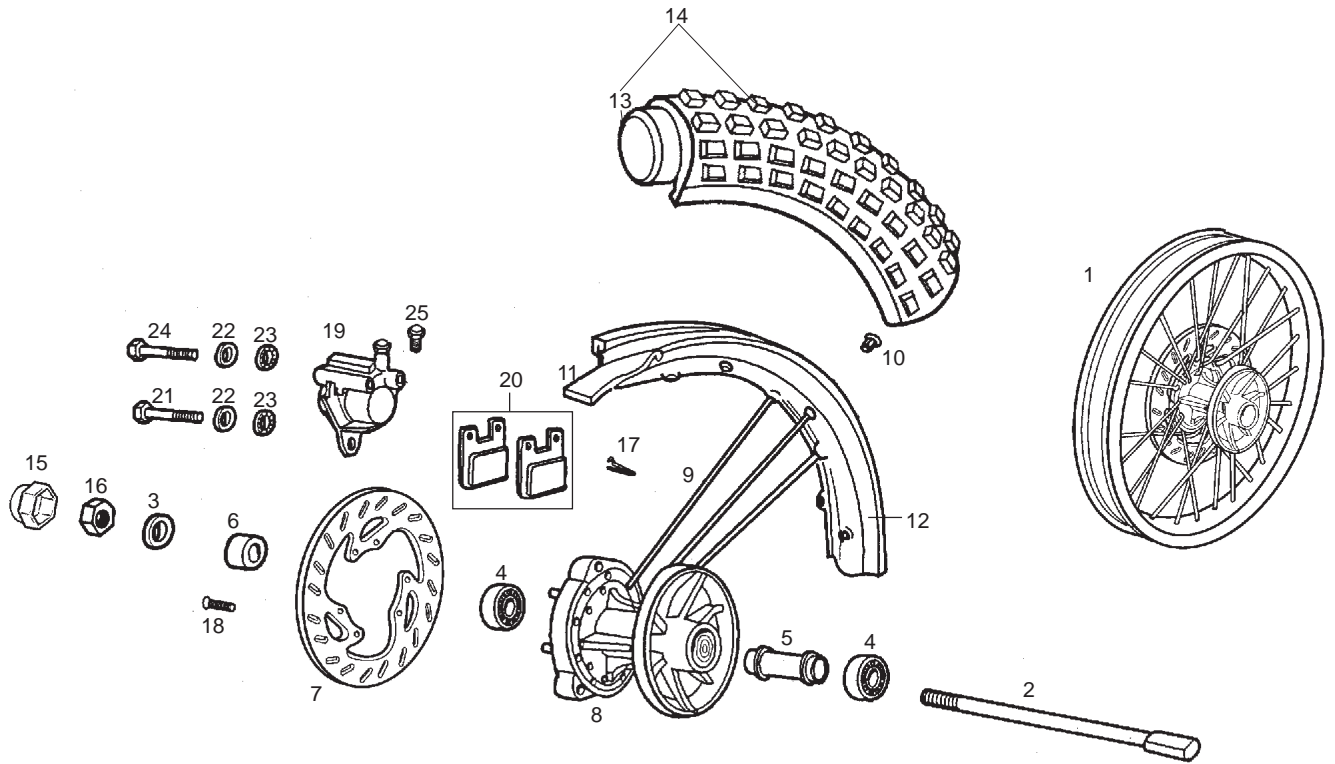
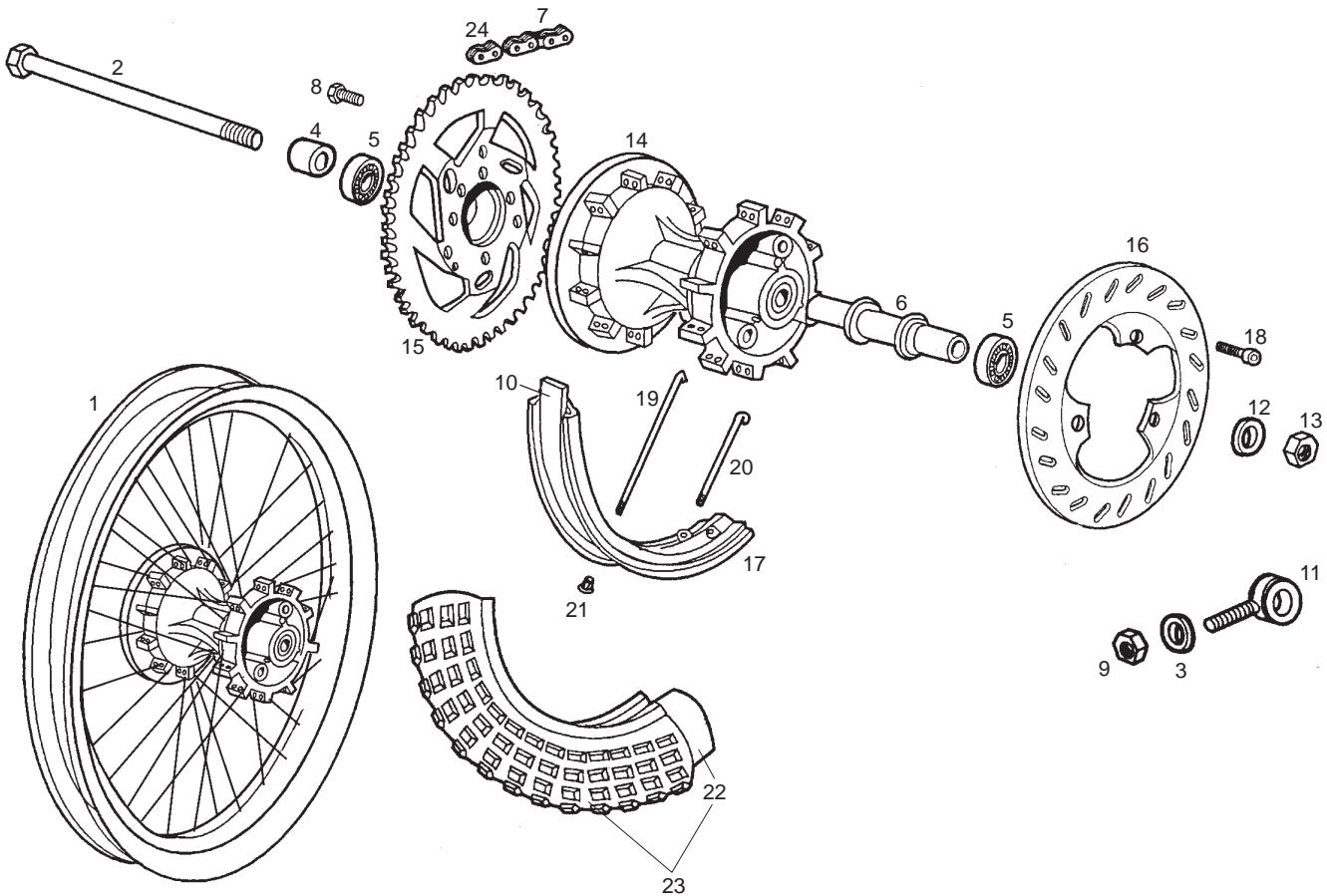


Fig.	Ver.	COD. KOD.	DESCRIPCIÓN DENOMINAZIONE NAME	BEZEICHNUNG DESIGNATION	MOD.	NOTAS NOTES NOTA MITSCHRIFT NOTES
22A		00402080001	ARANDELA D8 RONDELLA WASHER	SCHEIBE RONDELLE	123 456 789 ABC DEF	
23A		00034000802	ARANDELA ESTRELL.INT.D8 RONDELLA WASHER	SCHEIBE RONDELLE	123 456 789 ABC DEF	
24A		00031086022	TORNILLO C/EX. 8M125X60 VITE SCREW	SCHRAUBE VIS	123 456 789 ABC DEF	
25A		00F04700121	R-CTO. PURGADOR PINZA FRENO DT. R-SPURGO FRONT BRAKE BLEED CLIP ASSY	ABLASSHAHN R-ENS.PURGEUR PINCE FREIN A	123 456 789 ABC DEF	



**RUEDA SIN DISCO Y SIN PLATO
WHEEL WITHOUT DISC AND DRIVE PLATE**

Fig.	Ver.	COD. KOD.	DESCRIPCIÓN DENOMINAZIONE NAME	BEZEICHNUNG DESIGNATION	MOD.	NOTAS NOTES NOTA MITSCHRIFT NOTES
01A		00H02404332	R-CTO.LLANTA TR.C/CAR2,15X18INOX CERCHIONE CON MOZZO REAR RIM WITH HUB	HINTERRAD MIT RADNABE ROUE ARRIERE AVEC MOYEU	12 3 4 5 6 7 8 9 ABC DEF	
02A		00H01304202	CTO. EJE RDA. TRAS. SUBASSE RUOTA POSTER REAR WHEEL AXLE SUB-ASSEMBLY G	HINTERRADACHSE AXE ROUE ARRIERE	12 3 4 5 6 7 8 9 ABC DEF	
03A		00402060001	ARANDELA D6 RONDELLA WASHER	SCHEIBE RONDELLE	12 3 4 5 6 7 8 9 ABC DEF	
04A		00001113192	CASQUILLO GRUESO LADO PLATO GHIERA LATO PIATTO SPACER	DISTANZHULSE ENTRETOISE	12 3 4 5 6 7 8 9 ABC DEF	
05A		00058120100	COJINETE 12.32.10 CUSCINETTO BEARING	LAGER PALIER	12 3 4 5 6 7 8 9 ABC DEF	
06A		00H01304091	SEPARADOR COJINETES SEPARATORE CUSCINETTI SPACER	DISTANZHULSE ENTRETOISE	12 3 4 5 6 7 8 9 ABC DEF	
07A		00H01502201	CADENA SECUNDARIA 130 P CATENA SEZ. TRANSMISSION CHAIN	KETTE CHAINE TRANSMISSION	12 45 7 8 AB DE	
07B		00H01506201	CADENA SECUNDARIA 136 P CATENA SEZ. TRANSMISSION CHAIN	KETTE CHAINE TRANSMISSION	3 6 9 C F	ONLY SCANDINAVIA
08A		00002182000	TORNILLO C/EXAG.8M125X20 VITE SCREW	SCHRAUBE VIS	12 3 4 5 6 7 8 9 ABC DEF	
09A		00000023060	TUERCA AUTOBLOCANTE 6M100 DADO NUT	MUTTER ECROU	12 3 4 5 6 7 8 9 ABC DEF	
10A		00D01301401	PROTECTOR CAMARA PROTEZIONE CAMERA RUOTA POST. RIM STRIP	FELGELBAND PROTECTEUR DE CHAMBRE A AIR	12 3 4 5 6 7 8 9 ABC DEF	

**RUEDA SIN DISCO Y SIN PLATO
WHEEL WITHOUT DISC AND DRIVE PLATE**

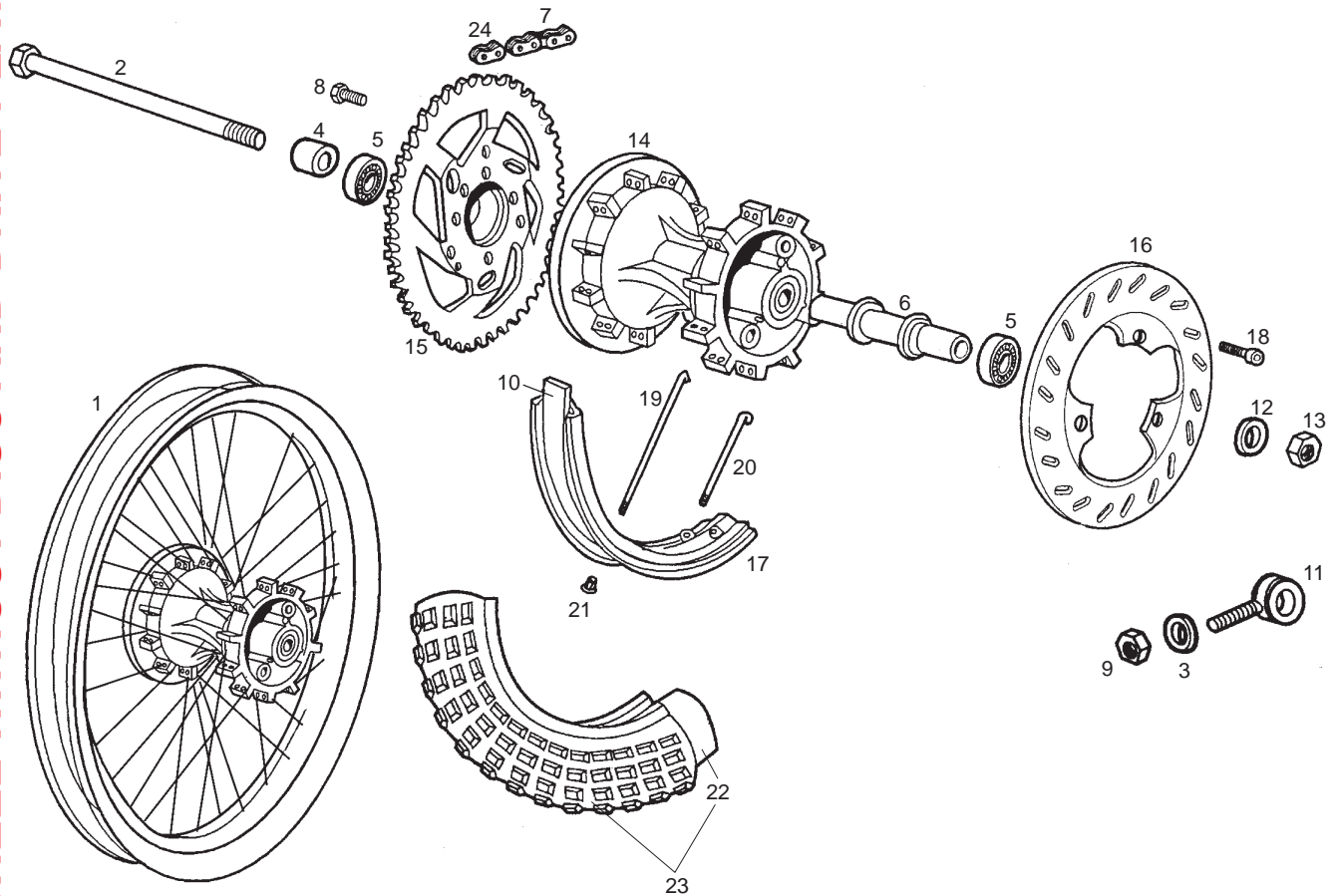
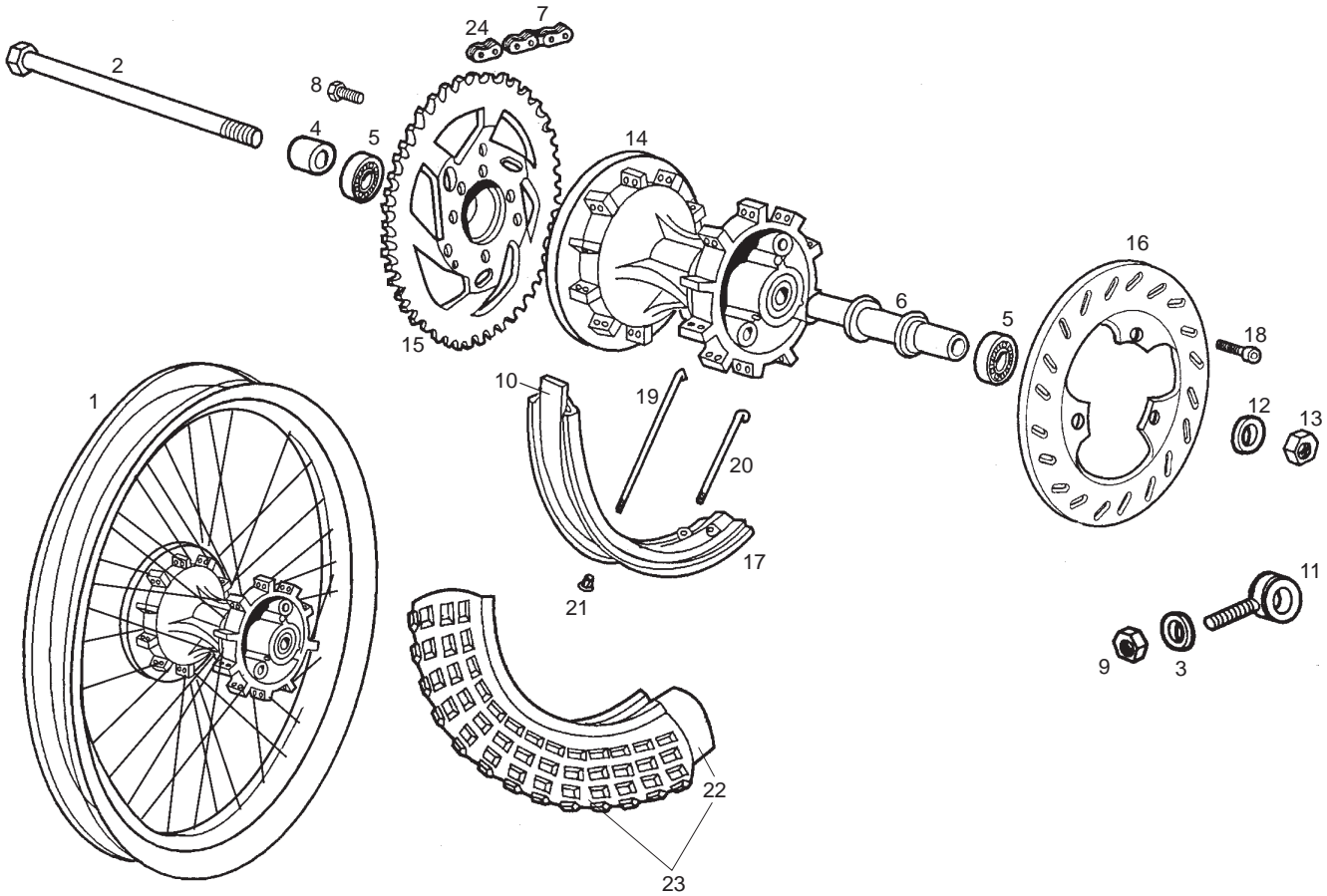


Fig.	Ver.	COD. KOD.	DESCRIPCIÓN DENOMINAZIONE NAME	BEZEICHUNG DESIGNATION	MOD.	NOTAS NOTES NOTA MITSCHRIFT NOTES
11A		00H01302172	SCTO.TENSOR RUEDA SUBTENSORE RUOTA SEN ADJUSTER, REAR WHEEL	HINTERRADSPANNER TENDEUR DE ROUE ENSEMBLE	123456 789ABC DEF	
12A		00F01210312	ARANDELA EJE RONDELLA WASHER	SCHEIBE RONDELLE	123456 789ABC DEF	
13A		00262120032	TUERCA AUTOBLOCANTE 12M150 DADO NUT	MUTTER ECROU	123456 789ABC DEF	
14A		00H01307821	CTO.CARRETE TRASERO MOZZO POST. REAR COIL	RADNABE MOYEU ARRIERE	123456 789ABC DEF	
15A		00H01317031	PLATO ARRASTRE Z-53 PIATTO TRAINO DRIVE PLATE	MITNEHMERSCHEIBE COURONNE ARRIERE	12 45 78 AB DE	
15B		00H01326031	PLATO ARRASTRE Z-65 PIATTO TRAINO DRIVE PLATE	MITNEHMERSCHEIBE COURONNE ARRIERE	3 6 9 C F	ONLY SCANDINAVIA
16A		00H01305531	DISCO FRENO TR. DISCO FRENO POSTERIORE REAR BRAKE DISC	BREMSSCHEIBE HINTEN DISQUE DE FREIN ARRIERE	123456 789ABC DEF	
17A		00H01302355	LLANTA RUEDA TRASERA 2,15X18" CERCHIONE POSTERIORE REAR RIM	HINTERRADFELGE JANTE ARRIERE NUE.	123456 789ABC DEF	
18A		00H02401282	TORNILLO FIJ.DISCO FR.TR. VITE SCREW	SCHRAUBE VIS	123456 789ABC DEF	
19A		00H01301501	RADIO TRASERO LADO PLATO RADIO POST.LATO PIATTO REAR INNER SPOKE	SPEICHE RAYON ROUE ARRIERE INT.	123456 789ABC DEF	
20A		00H01301691	RADIO TRASERO LADO DISCO RADIO POST. DISCO REAR SHORT INNER SPOKE	SPEICHE RAYON ROUE AR INT.COURT	123456 789ABC DEF	



**RUEDA SIN DISCO Y SIN PLATO
WHEEL WITHOUT DISC AND DRIVE PLATE**

Fig.	Ver.	COD. KOD.	DESCRIPCIÓN DENOMINAZIONE NAME	BEZEICHNUNG DESIGNATION	MOD.	NOTAS NOTES NOTA MITSCHRIFT NOTES
21A		00002212070	TUERCA RADIO. DADO NUT	MUTTER ECROU	123456 789ABC DEF	
22A		00H01308361	CAMARA CAMERA RUOTA POST. REAR WHEEL CAMBER	SCHLAUCH CHAMRE A AIR ARR.	123456 789ABC DEF	
23A		00H01309321	CTO. CUBIERTA TRASERA 18" COPERTONE POST. REAR CASING	REIFEB HINTEN PNEU ARR.	123456 789ABC DEF	
24A		00H01501212	R-ENGANCHE DORAD.CADENA SEC. AGGANCIAMENTO CATENA SICUREZZA MASTER LINK	KETTENSHLOSS ATTACHE RAPIDE	123456 789ABC DEF	

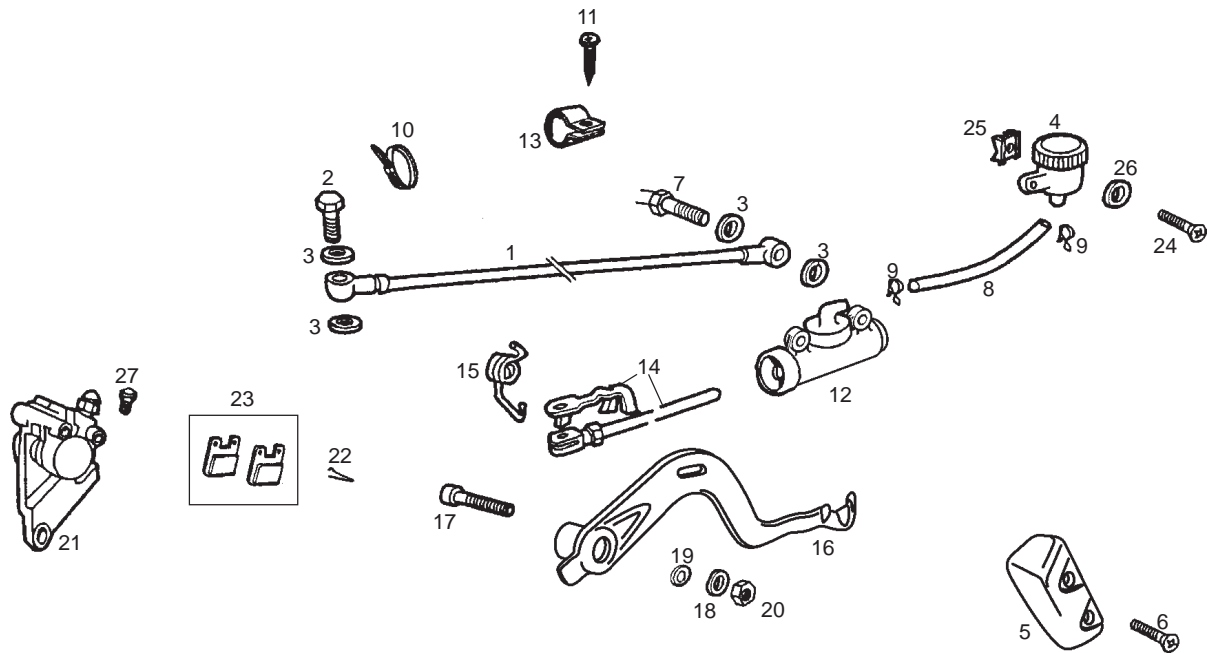


Fig.	Ver.	COD. KOD.	DESCRIPCIÓN DENOMINAZIONE NAME	BEZEICHUNG DESIGNATION	MOD.	NOTAS NOTES NOTA MITSCHRIFT NOTES
01A		00H01109081	TUBO LIQUIDO FRENO TRASERO TUBO LIQUIDO FRENO BRAKE ROD	BREMSSCHLAUCH TIGE DE FREIN	123456 789ABC DEF	
02A		00006309260	RACORD TUBO HIDRAULICO RACCORDO TUBO IDRAULICO HYDRAULIC TUBE CONNECTOR	STUTZEN HIDRAULIKLEITUNG RACCORD TUYAU HYDRAULIQUE	123456 789ABC DEF	
03A		00006321040	ARANDELA JUNTA RACORD RONDELLA WASHER	SCHEIBE RONDELLE	123456 789ABC DEF	
04A		00D01100201	CTO. DPSTO. LIQUIDO FRENO TRAS. SERBATOIO LIQUIDO FR FLUID TUBE TANK	BEHALTER RESERVOIR FLUID TUBE	123456 789ABC DEF	
05A		00H01101731	PROTECT.BOMBA PROTEZIONE FRENO POSTERIORE REAR BRAKE, PROTECTOR	ABDECKUNG PROTECTEUR ENS.COMMANDE FRE	123456 789ABC DEF	
06A		00G01503701	TORNILLO VITE SCREW	SCHRAUBE VIS	123456 789ABC DEF	
07A		00H01001701	CTO. INTERRUPTOR STOP COMP.INTERUTTORE FANALINO SWITCH, STOP LIGHT	STOPCHALTER VO. INTERRUPTEUR COMMANDE STOP	123456 789ABC DEF	
08A		00H01101211	TUBO DPSTO. A BOMBA FRENO TRAS. TUBO SERBATOIO A POMPA FRENO P REAR FLUID TUBE	SCHLAUCH FLEXIBLE DE FREIN ARRIERE	123456 789ABC DEF	
09A		00H03700131	ABRAZADERA ELASTICA RONDELLA STELLA INTERIORE ELASTIC CLAMP	SHELLE ELAST. COLLIER ELASTIQUE	123456 789ABC DEF	
10A		00F00900531	BRIDA FLANGIA UNIONE CAVI BLACK CABLE TIE	KABELBINDER COLLIER	123456 789ABC DEF	
11A		00011041300	TORNILLO AUTORROS.4,8X13 VITE SCREW	SCHRAUBE VIS	123456 789ABC DEF	

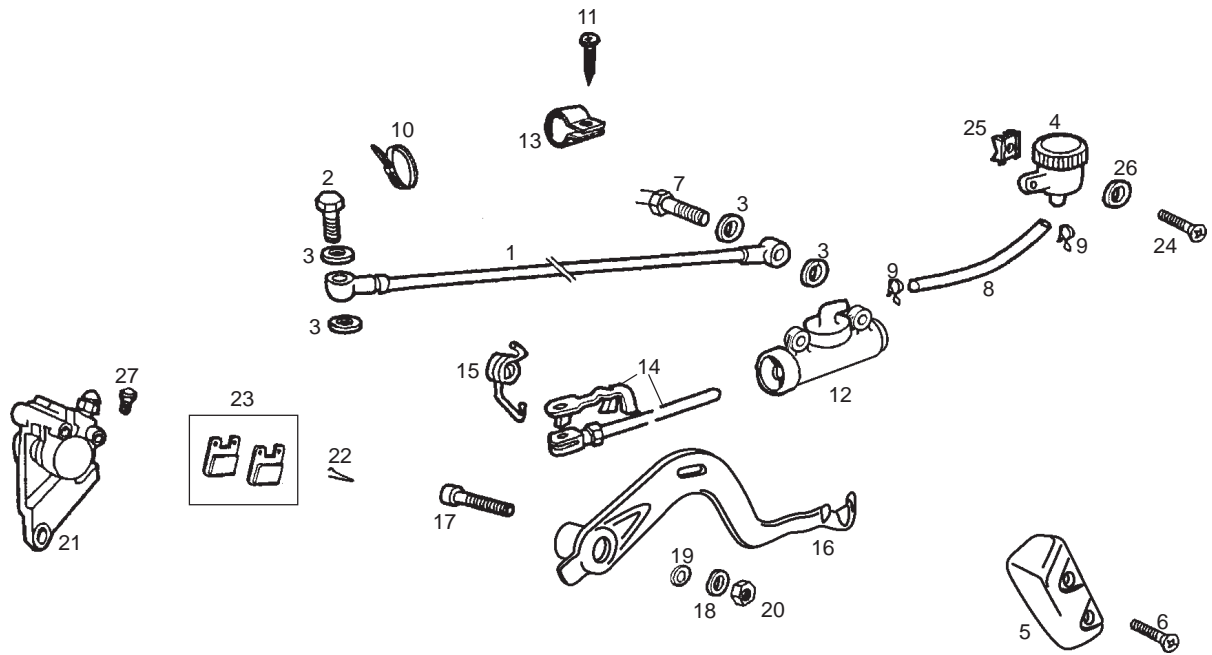


Fig.	Ver.	COD. KOD.	DESCRIPCIÓN DENOMINAZIONE NAME	BEZEICHUNG DESIGNATION	MOD.	NOTAS NOTES NOTA MITSCHRIFT NOTES
23A		00G04700141	JUEGO PASTILLAS DE FRENO CONG. PASTIGLIE FRENO SET OF BRAKE PADS	DIE GESAMTHEIT BREMSBACKEN ENS. PLAQUETTE DE FREIN	123 456 789ABC DEF	
24A		00012151500	TORNILLO C/RED.ALLEN.5M100X16 VITE SCREW	SCHRAUBE VIS	123 456 789ABC DEF	
25A		00G04401462	TUERCA FIJACION D5 DADO NUT	MUTTER ECROU	123 456 789ABC DEF	
26A		00D02600631	ARANDELA RONDELLA WASHER	SCHEIBE RONDELLE	123 456 789ABC DEF	
27A		00F04700121	R-CTO. PURGADOR PINZA FRENO R-SPURGO FRONT BRAKE BLEED CLIP ASSY	ABLASSHAHN R-ENS.PURGEUR PINCE FREIN A	123 456 789ABC DEF	

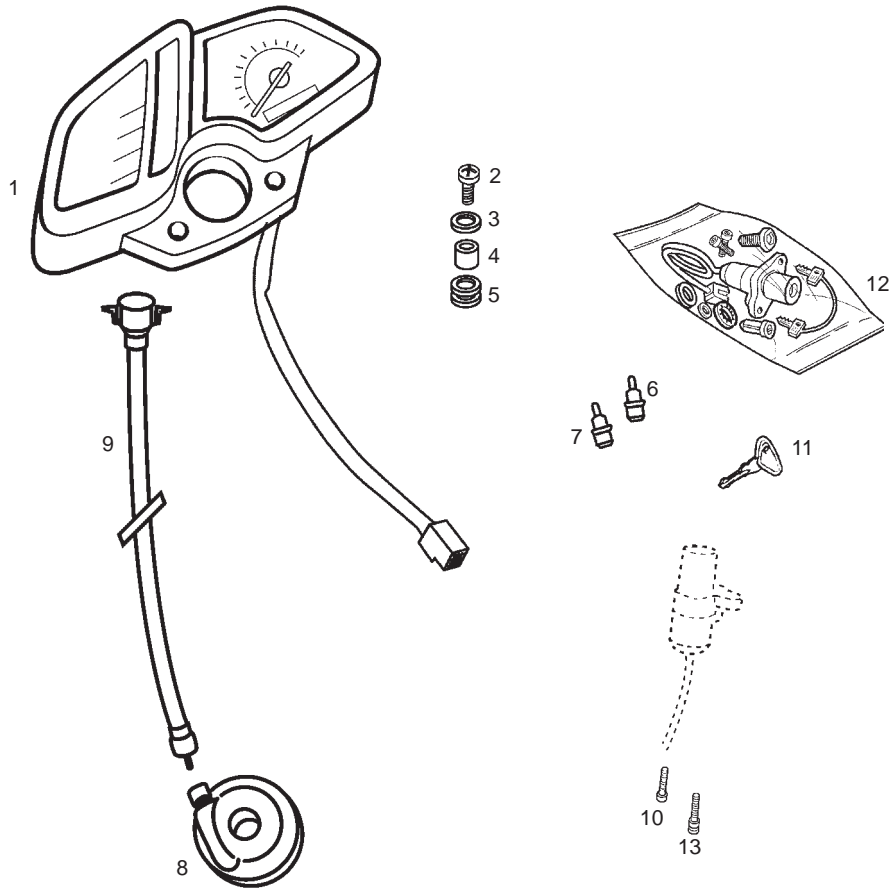


Fig.	Ver.	COD. KOD.	DESCRIPCIÓN DENOMINAZIONE NAME	BEZEICHNUNG DESIGNATION	MOD.	NOTAS NOTES NOTA MITSCHRIFT NOTES
01A		00H01625521	CTO TABLIER (KMH) CRUSCOTTO (KM/H) DASH ASSY (KM/H)	INSTRUMENTERHALTER (KM/H) BOITIER TABLEAU BORD (KM/H)		UNTIL FRAME 7H379323
01B		00H01628521	CTO TABLIER (MPH) CRUSCOTTO (MILE/H) DASH ASSY (MILE/H)	INSTRUMENTERHALTER (MILE/H) BOITIER TABLEAU BORD (MILE/H)		MILES PER HOUR
01C		864515	CTO TABLIER (KMH) CRUSCOTTO (KM/H) DASH ASSY (KM/H)	INSTRUMENTERHALTER (KM/H) BOITIER TABLEAU BORD (KM/H)		SINCE FRAME 7H379324
02A		00012152000	TORNILLO C/RED.CRUIZ 5M80X20 VITE SCREW	SCHRAUBE VIS	12 3 4 5 6 7 8 9 ABC DEF	
03A		00D02600631	ARANDELA RONDELLA WASHER	SCHEIBE RONDELLE	12 3 4 5 6 7 8 9 ABC DEF	
04A		00H01600911	CASQUILLO GHIERA SILENT.FISS.CRUSCOT.FE BUSHING	FUHRUNGSBUCHSE GABELSCHENK ENTRETOISE	12 3 4 5 6 7 8 9 ABC DEF	
05A		00D01500021	PASACABLES PORTACAVI IST. FARAFANGO POST. GROMMET	GUMMI CAOUTCHOUC PASSE-CABLE	12 3 4 5 6 7 8 9 ABC DEF	
06A		00G01602581	R-CTO. PORTALAMP/LAMP. 12V 1,2 W PORTALAMPADE BULB HOLDER AND BULB	LAMPENHALTER R-PORTE-LAMPES	12 3 4 5 6 7 8 9 ABC DEF	
07A		00G01601581	R-CTO. PORTALAMP/LAMP. 12V 2 W PORTALAMPADE BULB HOLDER AND BULB	LAMPENHALTER R-PORTE-LAMPES	12 3 4 5 6 7 8 9 ABC DEF	
08A		00G01606051	CTO. REENVIO. RINVIO RETURN UNIT.	RETURN UNIT. REVOI DE ROUE	12 3 4 5 6 7 8 9 ABC DEF	
09A		00H01616021	CTO. CABLE-FUNDA CUENTA KM CAVO-GUAINA CONTACHI CABLE, SPEEDOMETER DRIVE	TACHOWELLE ENSEMB.CABLE-GAINE COMPTEUR	12 3 4 5 6 7 8 9 ABC DEF	

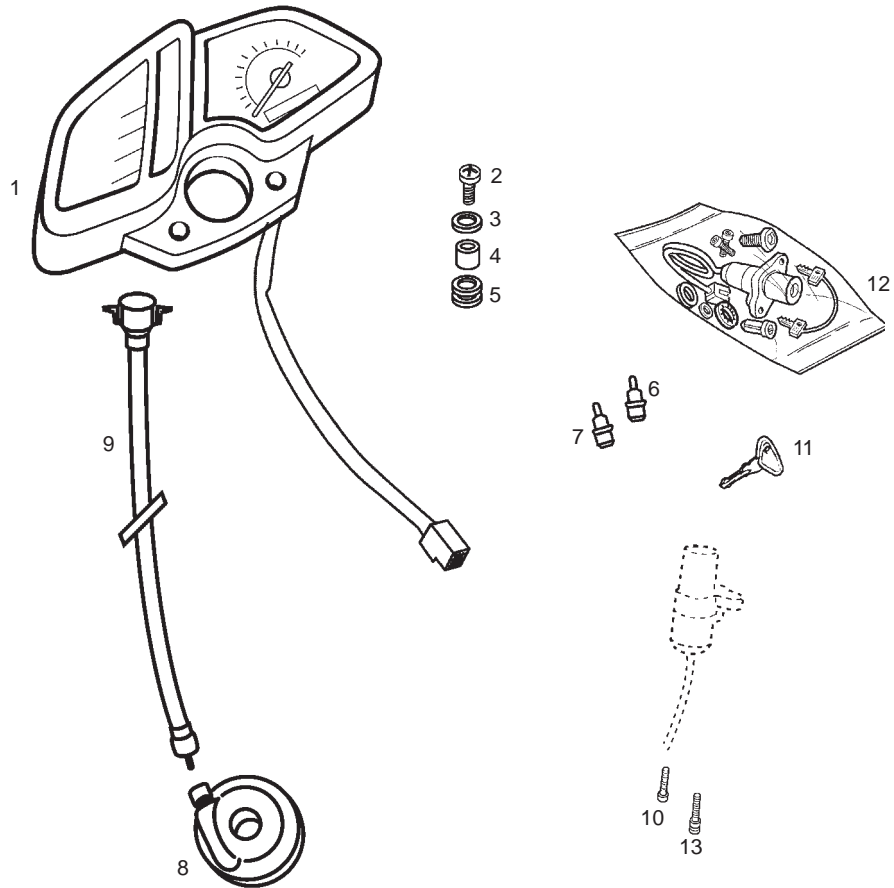


Fig.	Ver.	COD. KOD.	DESCRIPCIÓN DENOMINAZIONE NAME	BEZEICHNUNG DESIGNATION	MOD.	NOTAS NOTES NOTA MITSCHRIFT NOTES
10A		00002082021	TORNILLO 8M125X20 VITE SCREW	SCHRAUBE VIS	123 456 789ABC DEF	
11A		00H01801411	LLAVE CONTACTO POR MECANIZAR CHIAVE LOCK KEYS	SCHLUSSEL CLEF	123 456 789ABC DEF	
12A		00H05908251	R-CTO. KIT CERRDADURAS SIN LEVAS SERRATURE SENZA LEVA LOCK WITH KEYS WITHOUT LEVER	SCHLOOS-SATZ OHNE VERSCHLUSSH. ENS. KIT SERRURES SANS LEVIER	123 456 789ABC DEF	
13A		00H06300791	TORNILLO ROMPIENTE VITE SCREW	SCHRAUBE VIS	123 456 789ABC DEF	

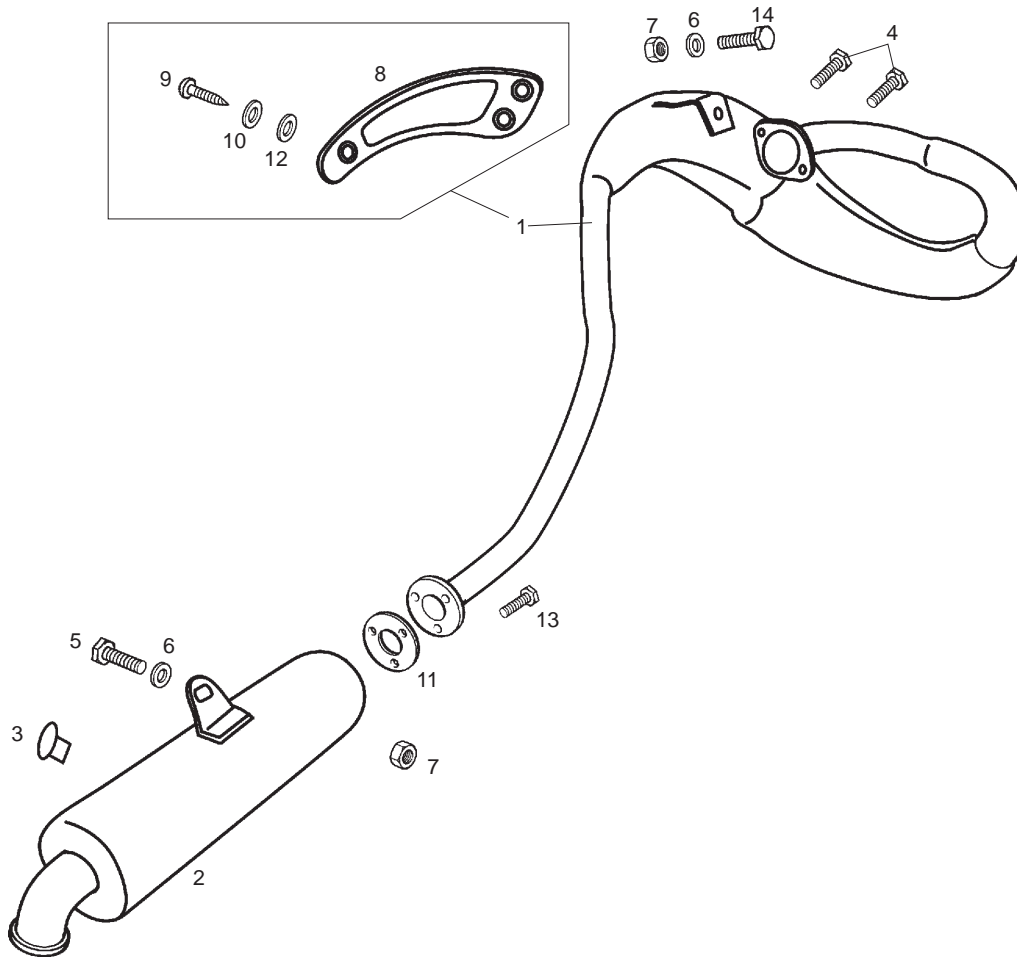


Fig.	Ver.	COD. KOD.	DESCRIPCIÓN DENOMINAZIONE NAME	BEZEICHNUNG DESIGNATION	MOD.	NOTAS NOTES NOTA MITSCHRIFT NOTES
01A		862964	TUBO ESCAPE SUBCOMP.TUBO SCAPP-SIL. EXHAUST PIPE AND MUFFLER	AUSPUFF ENSEMBLE TUBE DIECHAPPEMENT	12 45 78 AB DE	
01B		00H03446081	TUBO ESCAPE SUBCOMP.TUBO SCAPP-SIL. EXHAUST PIPE AND MUFFLER	AUSPUFF ENSEMBLE TUBE DIECHAPPEMENT	3 6 9 C F	
02A		86126R	SORDINA SUBCOMP.SORD. EXHAUST TANK	SCHALLDÄMPFER SILENCIEUX DIECHAPPEMENT	12 3 4 5 6 7 8 9 ABC DEF	
03A		00G01500951	TOPE GOMA APPOGGIO ZAMPA CAVALLETO SIDE STAND REST	GUMMISTOPPEL APPUI BEQUILLE LATERALE	12 3 4 5 6 7 8 9 ABC DEF	
04A		00002062011	TORNILLO C/ALLEN.6M100X20 VITE SCREW	SCHRAUBE VIS	12 3 4 5 6 7 8 9 ABC DEF	
05A		00012082001	TORNILLO 8M125X20 VITE SCREW	SCHRAUBE VIS	12 3 4 5 6 7 8 9 ABC DEF	
06A		00402080001	ARANDELA D8 RONDELLA WASHER	SCHEIBE RONDELLE	12 3 4 5 6 7 8 9 ABC DEF	
07A		00023108000	TUERCA AUTOBLOCANTE 8M125 DADO NUT	MUTTER ECROU	12 3 4 5 6 7 8 9 ABC DEF	
08A		00H01800402	PROTECTOR SILENCIADOR PROTEZIONE SILENCIATORE SILENCER SHIELD	SCHALLDÄMPFERSCHUTZ PROTECT.SIL.	12 3 4 5 6 7 8 9 ABC DEF	
09A		00000012415	TORNILLO VITE SCREW	SCHRAUBE VIS	12 3 4 5 6 7 8 9 ABC DEF	
10A		00F04201361	REMACHE RIBADITURA RIVET	RIVET RIVET	12 3 4 5 6 7 8 9 ABC DEF	

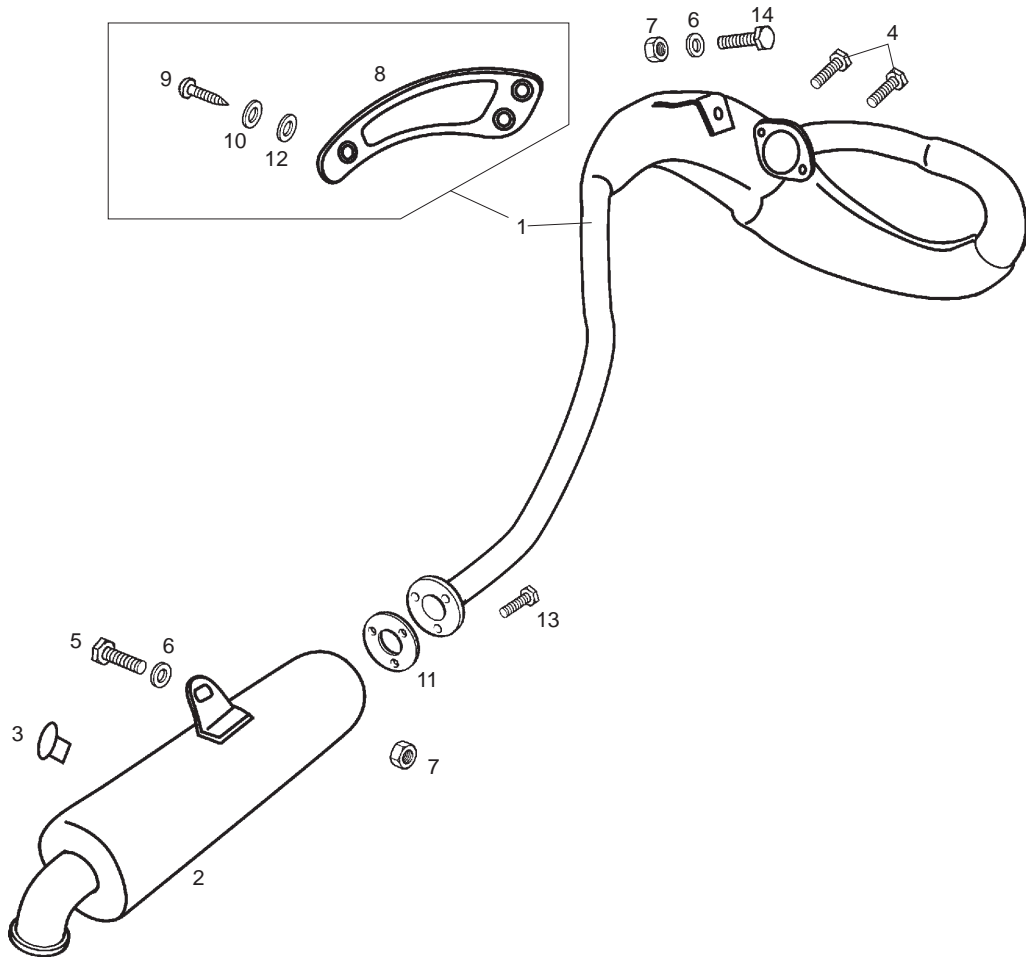
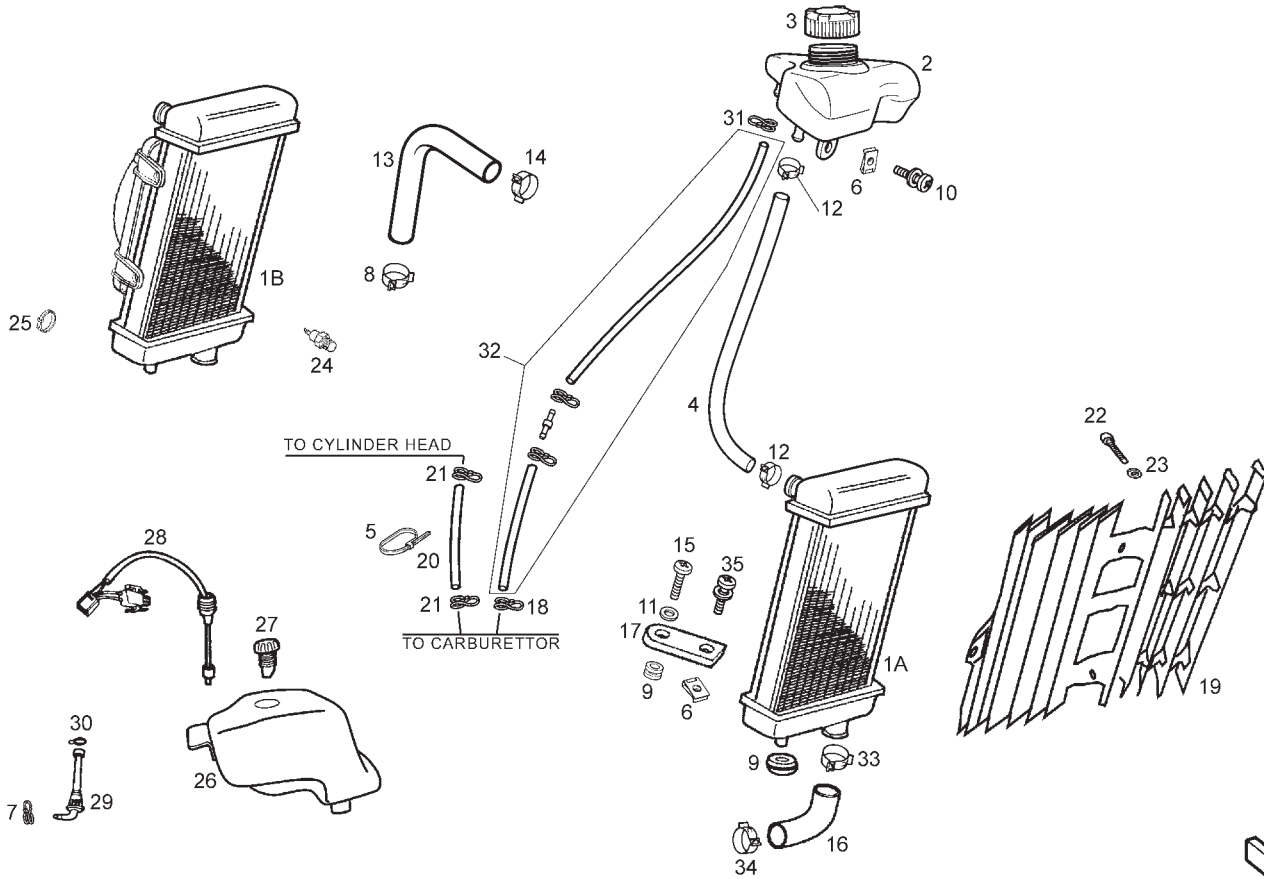


Fig.	Ver.	COD. KOD.	DESCRIPCIÓN DENOMINAZIONE NAME	BEZEICHNUNG DESIGNATION	MOD.	NOTAS NOTES NOTA MITSCHRIFT NOTES
11A		00H03404321	JUNTA GUARNIZIONE GASKET	DICHTUNG JOINT	12 3 4 5 6 7 8 9 ABC DEF	
12A		00D02600631	ARANDELA RONDELLA FERMO MOLLA FRIZIONE CLUTCH SPRING STOP WASHER	SCHEIBE ROND.BUTEE RESSORT EMBRAYA.	12 3 4 5 6 7 8 9 ABC DEF	
13A		00D05910081	TORNILLO VITE SCREW	SCHRAUBE VIS	12 3 4 5 6 7 8 9 ABC DEF	
14A		00012082001	TORNILLO 8M125X20 VITE SCREW	SCHRAUBE VIS	12 3 4 5 6 7 8 9 ABC DEF	



1st VERSION



Fig.	Ver.	COD. KOD.	DESCRIPCIÓN DENOMINAZIONE NAME	BEZEICHNUNG DESIGNATION	MOD.	NOTAS NOTES NOTA MITSCHRIFT NOTES
01A		00H03805011	SCTO. RADIADOR SUBRADIATORE RADIATOR ASSY.	RADIATOR ASSY. RADIATEUR	1 4 7	
01B		00H03802541	CTO. RADIADOR CON ELECTROVENT. SUBRADIATORE RADIATOR ASSY.	RADIATOR ASSY. RADIATEUR	23 56 89	
02A		00H03810501	DEPOSITO AGUA RADIADOR SERBATOIO ACQUA RADIATORE WATER TANK	WASSERBEHALTER VASE DIEXPANSION	12 45 78	
02B		00H03802501	DEPOSITO AGUA RADIADOR SERBATOIO ACQUA RADIATORE WATER TANK	WASSERBEHALTER VASE DIEXPANSION	3 6 9	ONLY SCANDINAVIA
03A		00H03802472	CTO.TAPON DEPOSITO AGUA TAPPO RADIATORE/SERBATOIO WATER RESERVOIR/RAD CAP ASSY	KUEHLERDECKEL BOUCHON DE RESERVOIR D,EAU	12 3 4 5 6 7 8 9	
04A		00G03801561A	TUBO DEPOSITO-RADIADOR TUBO TUBE	SCHLAUCH TUYAU	12 3 4 5 6 7 8 9	UNTIL FRAME 7H359740
05A		00D00900531	BRIDA 200 X 3,6 FLANGIA UNIONE CAVI BLACK CABLE TIE	KABELBINDER COLLIER	12 45 78	
06A		00D01501371	TUERCA FIJ. D6 DADO NUT	MUTTER ECROU	12 3 4 5 6 7 8 9	
07A		00F03710131	ABRAZADERA ELASTICA FASCETTA CLAMP	FLANGE BRIDE	12 3 4 5 6 7 8 9	
08A		00H03802751	ABRAZADERA 24/8W4 FASCETTA CLAMP	BEF. SCHELLE COLLIER	12 3 4 5 6 7 8 9	
09A		00008915020	PROTECCION CABLES PROTEZIONE CAVI RUBBER,CABLE PROTECTOR	GUMMI PASSE-CABLE	12 3 4 5 6 7 8 9	

1st VERSION

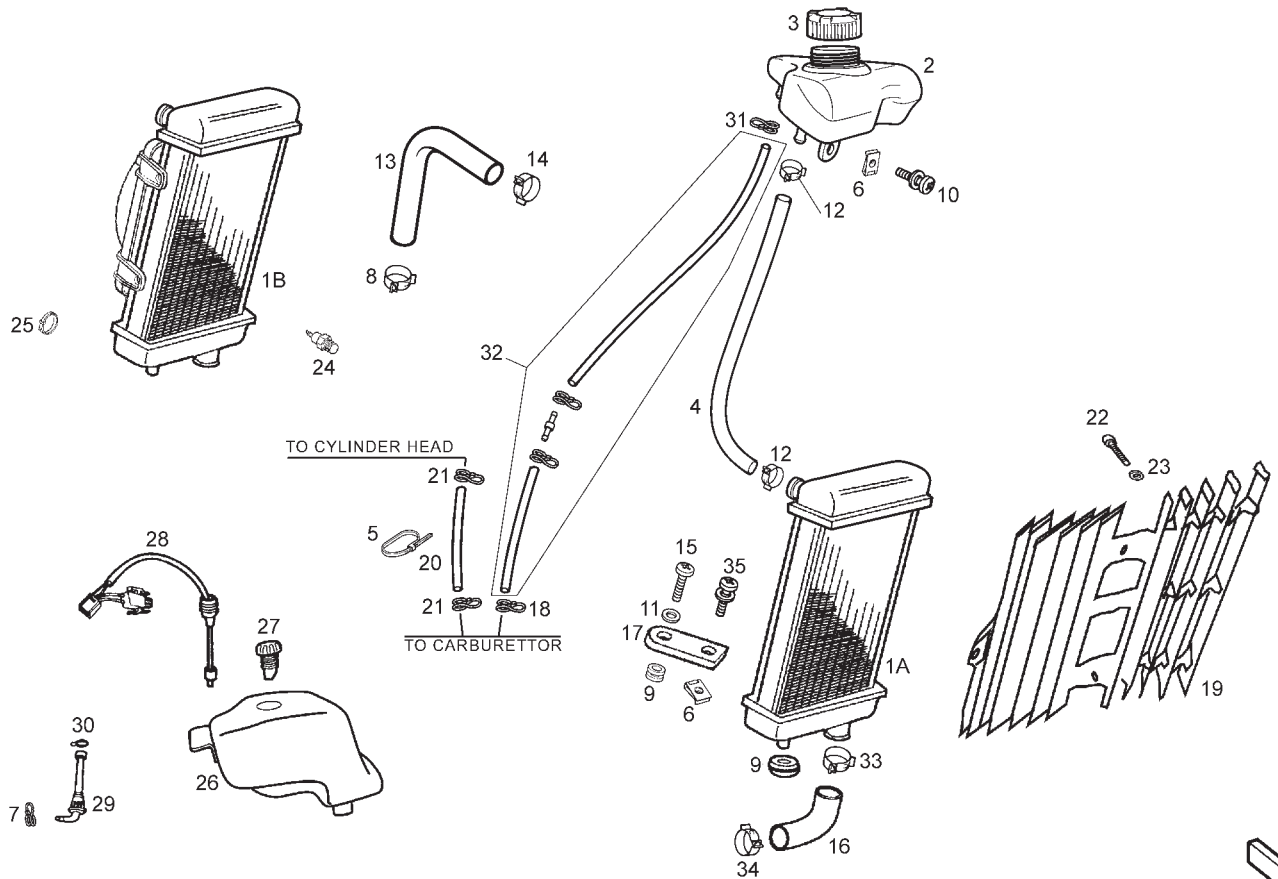
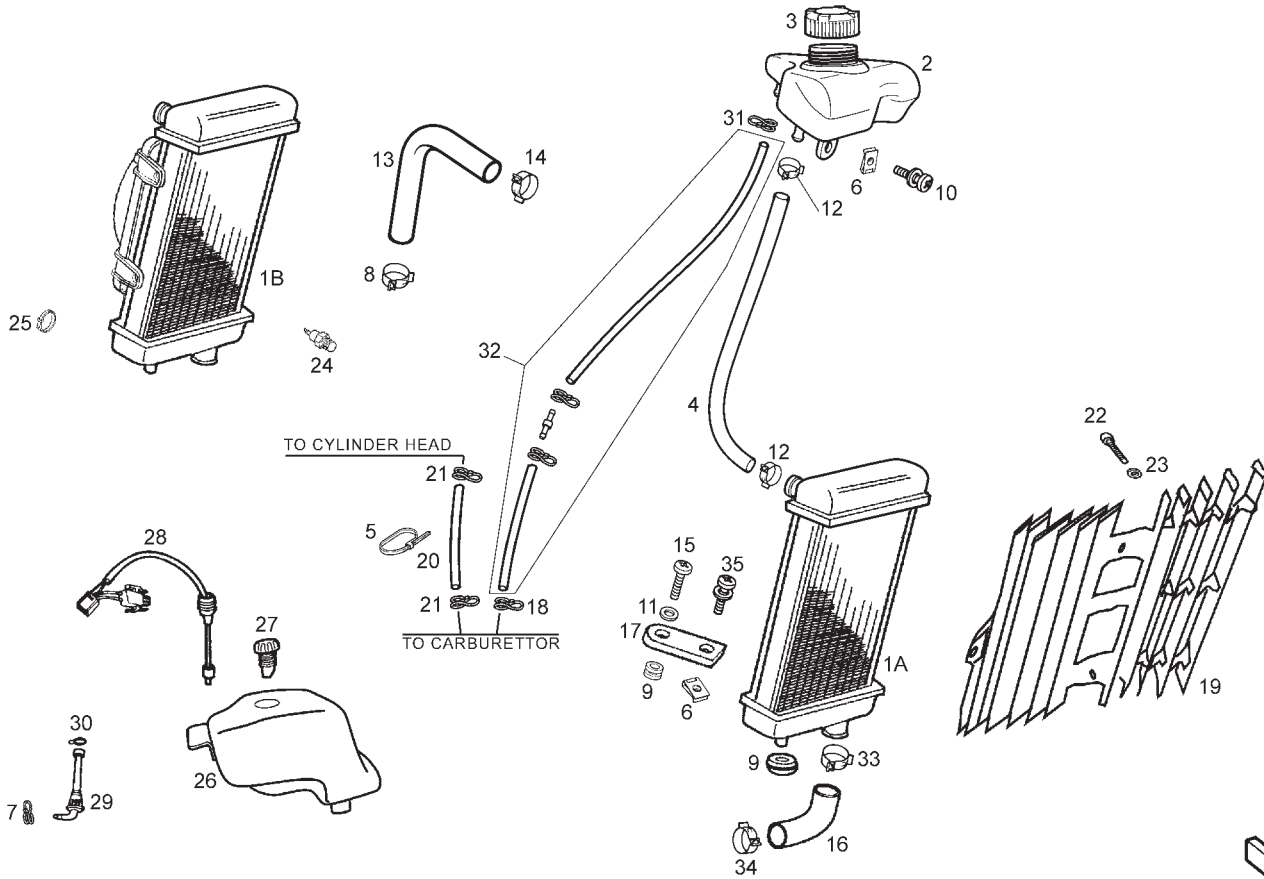


Fig.	Ver.	COD. KOD.	DESCRIPCIÓN DENOMINAZIONE NAME	BEZEICHNUNG DESIGNATION	MOD.	NOTAS NOTES NOTA MITSCHRIFT NOTES
10A		00H05900021	SCTO TORNILLO 6M100X16 VITE SCREW	SCHRAUBE VIS	12 3 45 6 78 9	
11A		00D01500552	CAZOLETA SCADELLINO FISSAGGIO HOUSING EXHAUST PIPE SUPPORT	ABDECKSCHEIBE CUVETTE	12 3 45 6 78 9	
12A		00G03801701	ABRAZADERA FASCETTA FISSAGGIO MANICA RADI CLAMP FASTERING RADIATOR BUSH	OIL TANK FLANGE TUBE BRIDE TUBE RESPIRATION RÏSERVO	12 3 45 6 78 9	UNTIL FRAME 7H359740
13A		86138R	TUBO CULATA-RADIADOR TUBO TESTATA-RACCORDO TERMOCON CYLINDER HEAD PIPE-TERMOCONTAC	WASSERSCHLAUCH TUBE	12 3 45 6 78 9	
14A		00H03801751	ABRAZADERA 21/8W4 FLANGIA FISSAGGIO SECURING CLAMP	BEF.-SHELLE COLLIER	12 3 45 6 78 9	
15A		00000004612	TORNILLO C/ALLEN 6M100X12 VITE SCREW	SCHRAUBE VIS	12 3 45 6 78 9	
16A		00H03802031	TUBO BOMBA-RADIADOR TUBO REFRIGERAZIONE POMPA-RADI RADIATOR PUMP RUBBER TUBE	KUHLMITTELSCHLAUCH PUMPE K TUBE POMPE-RADIATEUR	12 3 45 6 78 9	UNTIL FRAME 7H359740
17A		00G02200692	OREJA SUP.SOPORTE RADIADOR PIASTRA SUPPORTO SUPERIORE UPPER RADIATOR SUPPORT	OESE KUEHLERBLOCK OREILLE SUPERIEURE SUPPORT RAD	12 3 45 6 78 9	
18A		00H00400501	ABRAZADERA ELASTICA 7,8-8,3 FASCETTA CLAMP	FLANGE BRIDE	12 45 78	UNTIL FRAME 7H359740
19A		00H03805301	REJILLA RADIADOR GRIGLIA RADIATORE RADIATOR GRID	RADIATOR RADIATEUR	12 3 45 6 78 9	
20A		00H03801961	TUBO CARBURADOR A RACORD CULATA TUBO TUBE	SCHLAUCH TUYAU	12 45 78	

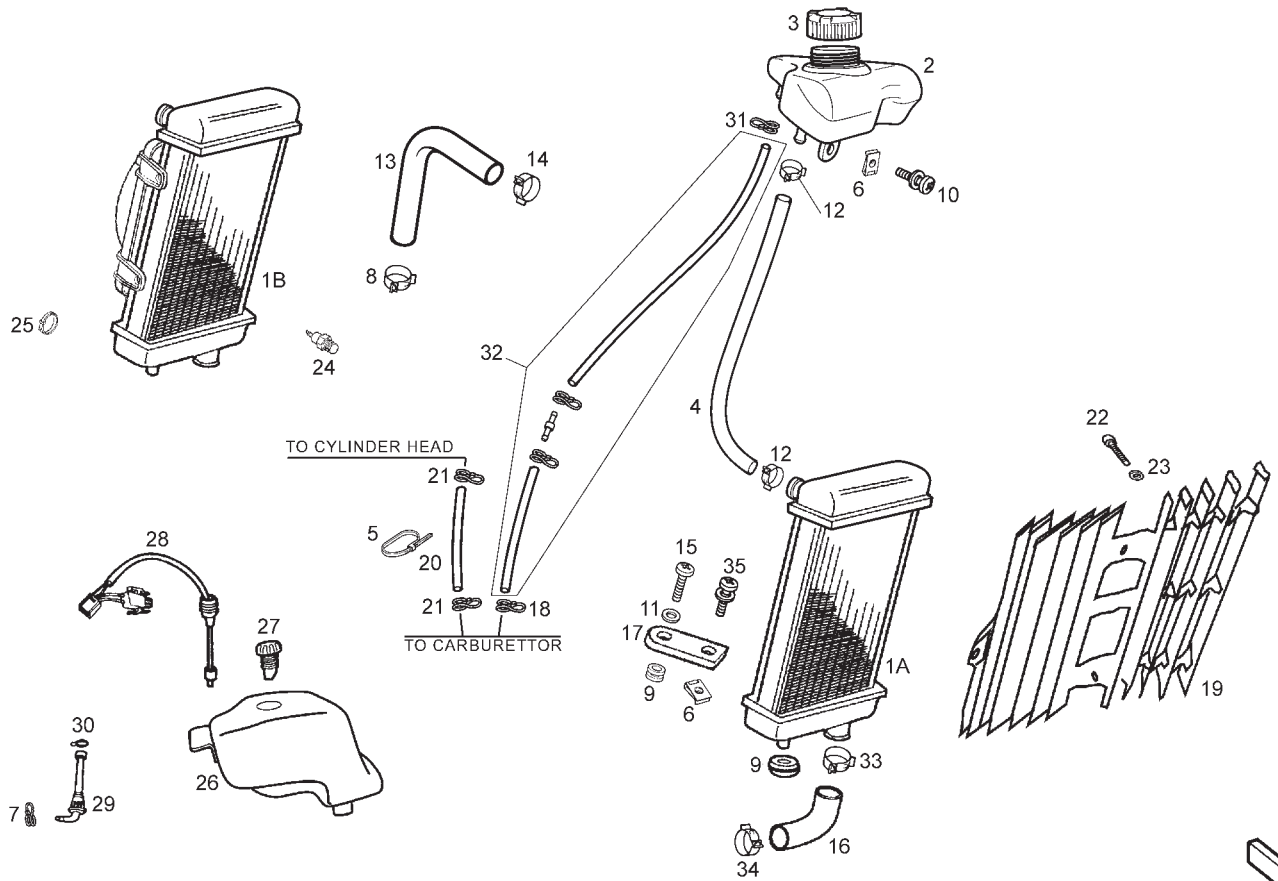


1st VERSION



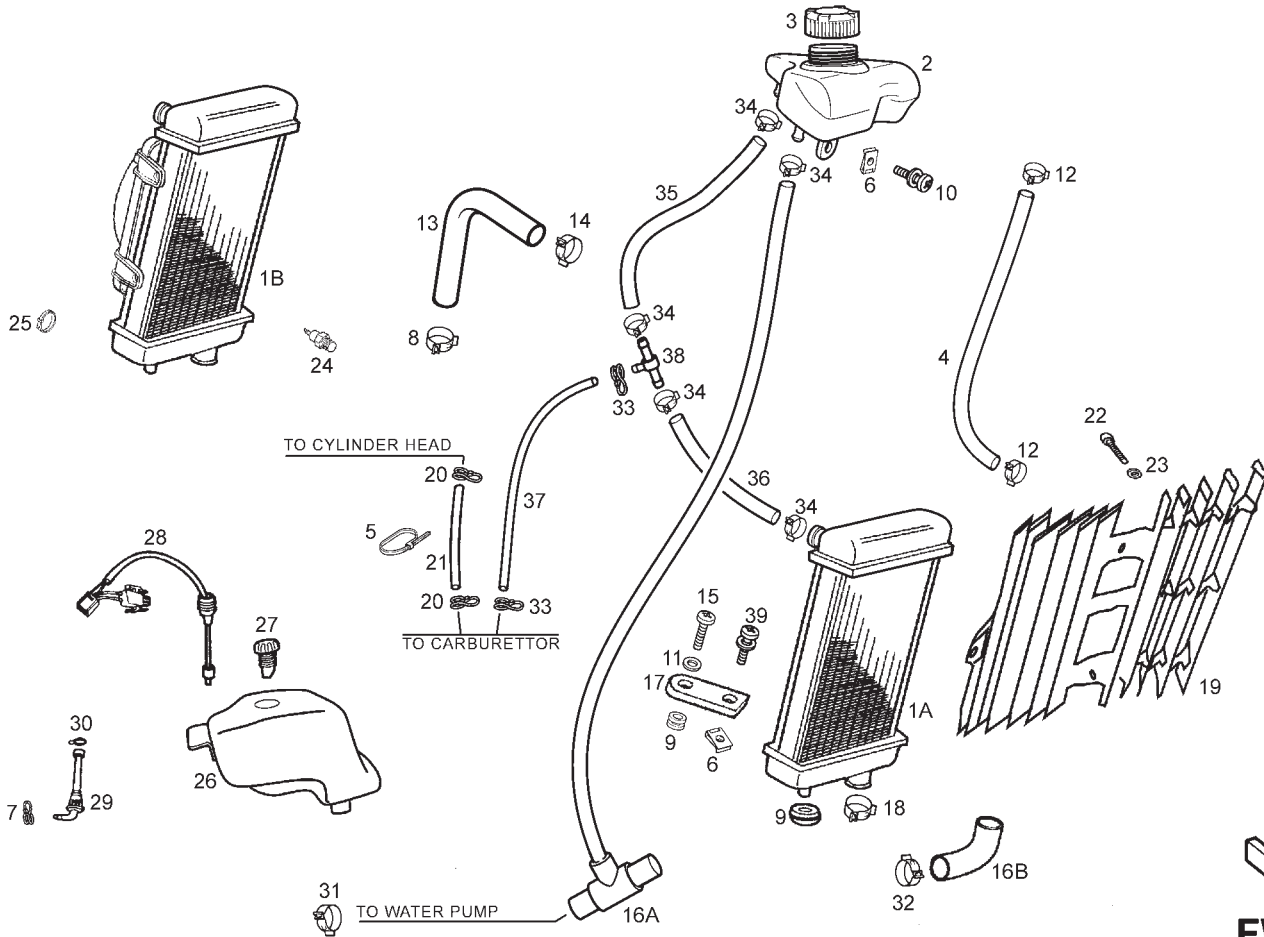
Fig.	Ver.	COD. KOD.	DESCRIPCIÓN DENOMINAZIONE NAME	BEZEICHNUNG DESIGNATION	MOD.	NOTAS NOTES NOTA MITSCHRIFT NOTES
21A		00H00400501	ABRAZADERA ELASTICA 7,8-8,3 FASCETTA CLAMP	FLANGE BRIDE	12 45 78	
22A		00011141300	TORNILLO AUT.C/CR.NG.4,8X13 VITE SCREW	SCHRAUBE VIS	12 3 45 6 78 9	
23A		00D02600631	ARANDELA RONDELLA WASHER	SCHEIBE RONDELLE	12 3 45 6 78 9	
24A		00G03800741	TERMOCONTACTO ELECTROVENTILA. TERMOCONTATTO ELETTROVENTOLA THERMOCONTACT ELECTROVENTILATO	THEMPERATURFUHLER THERMOCONTACTEUR	23 5 6 8 9	
25A		00D00900531	BRIDA FLANGIA UNIONE CAVI BLACK CABLE TIE	KABELBINDER COLLIER	23 5 6 8 9	
26A		00H03704081	SCTO.DEPOSITO ACEITE SUBSERBATOIO OLIO SE OIL, TANK	OILTANK RESERVOIR D,HUILE	12 3 45 6 78 9	
27A		00F03710241	CTO.TAPON DEPOSITO ACEITE TAPPO SERBATOIO OLIO OIL RESERVOIR FILLER PLUG ASSY	STOPFEN OELTANK ENS. BOUCHON RESERV.HUILE S	12 3 45 6 78 9	
28A		00H03703051	CTO NIVEL ACEITE TAPPO SERBATOIO OLIO OIL RESERVOIR FILLER PLUG ASSY	OLSTANDSGEBER NIVEAU D#HUILE	12 3 45 6 78 9	UNTIL FRAME 7H379323
28B		864490	CTO NIVEL ACEITE TAPPO SERBATOIO OLIO OIL RESERVOIR FILLER PLUG ASSY	OLSTANDSGEBER NIVEAU D#HUILE	12 3 45 6 78 9	SINCE FRAME 7H379324
29A		00H03701411	CTO FILTRO ACEITE. FILTRO OLIO BY-PAS OIL FILTER	FILTER FILTRE A HUILLE	12 3 45 6 78 9	
30A		00G00400501	ABRAZADERA FIJ. GRIFO FASCETTA ELASTICA CLAMP	BEF.-SCHELLE ENTRETOISE	12 3 45 6 78 9	

1st VERSION



FWD

Fig.	Ver.	COD. KOD.	DESCRIPCIÓN DENOMINAZIONE NAME	BEZEICHNUNG DESIGNATION	MOD.	NOTAS NOTES NOTA MITSCHRIFT NOTES
31A		00D03700131	ABRAZADERA ELASTICA 9,8-10,4 FASCETTA CLAMP	FLANGE BRIDE	12 45 78	UNTIL FRAME 7H359740
32A		00H03804971	SCTO TUBO DEPOSITO EXP-CARB. TUBO TUBE	SCHLAUCH TUYAU	12 45 78	UNTIL FRAME 7H359740
33A		00H03801751	ABRAZADERA 21/8 W4 FASCETTA CLAMP	FLANGE BRIDE	12 3 45 6 78 9	UNTIL FRAME 7H359740
34A		00H03801751	ABRAZADERA 21/8 W4 FASCETTA CLAMP	FLANGE BRIDE	12 3 45 6 78 9	UNTIL FRAME 7H359740
35A		00002061011	TORNILLO 6M100X10 VITE SCREW	SCHRAUBE VIS	12 3 45 6 78 9	



2nd VERSION

FWD

Fig.	Ver.	COD. KOD.	DESCRIPCIÓN DENOMINAZIONE NAME	BEZEICHNUNG DESIGNATION	MOD.	NOTAS NOTES NOTA MITSCHRIFT NOTES
01A		00H03805011	SCTO. RADIADOR SUBRADIATORE RADIATOR ASSY.	RADIATOR ASSY. RADIATEUR	1 4 7 A D	
01B		00H03802541	CTO. RADIADOR CON ELECTROVENT. SUBRADIATORE RADIATOR ASSY.	RADIATOR ASSY. RADIATEUR	23 56 89 BC EF	
02A		00H03810501	DEPOSITO AGUA RADIADOR SERBATOIO ACQUA RADIATORE WATER TANK	WASSERBEHALTER VASE DIEXPANSION	12 45 78 AB DE	
02B		00H03802501	DEPOSITO AGUA RADIADOR SERBATOIO ACQUA RADIATORE WATER TANK	WASSERBEHALTER VASE DIEXPANSION	3 6 9 C F	ONLY SCANDINAVIA
03A		00H03802472	CTO.TAPON DEPOSITO AGUA TAPPO RADIATORE/SERBATOIO WATER RESERVOIR/RAD CAP ASSY	KUEHLERDECKEL BOUCHON DE RESERVOIR D,EAU	12 3 4 5 6 7 8 9 ABC DEF	
04A		00G03801561A	TUBO DEPOSITO-RADIADOR TUBO TUBE	SCHLAUCH TUYAU	3 6 9 C F	ONLY SCANDINAVIA
05A		00D00900531	BRIDA 200 X 3,6 FLANGIA UNIONE CAVI BLACK CABLE TIE	KABELBINDER COLLIER	12 45 78 AB DE	
06A		00D01501371	TUERCA FIJ. D6 DADO NUT	MUTTER ECROU	12 3 4 5 6 7 8 9 ABC DEF	
07A		00F03710131	ABRAZADERA ELASTICA FASCETTA CLAMP	FLANGE BRIDE	12 3 4 5 6 7 8 9 ABC DEF	
08A		00H03800091	ABRAZADERA D25 FASCETTA CLAMP	BEF. SCHELLE COLLIER	12 3 4 5 6 7 8 9 ABC DEF	
09A		00008915020	PROTECCION CABLES PROTEZIONE CAVI RUBBER,CABLE PROTECTOR	GUMMI PASSE-CABLE	12 3 4 5 6 7 8 9 ABC DEF	

2nd VERSION

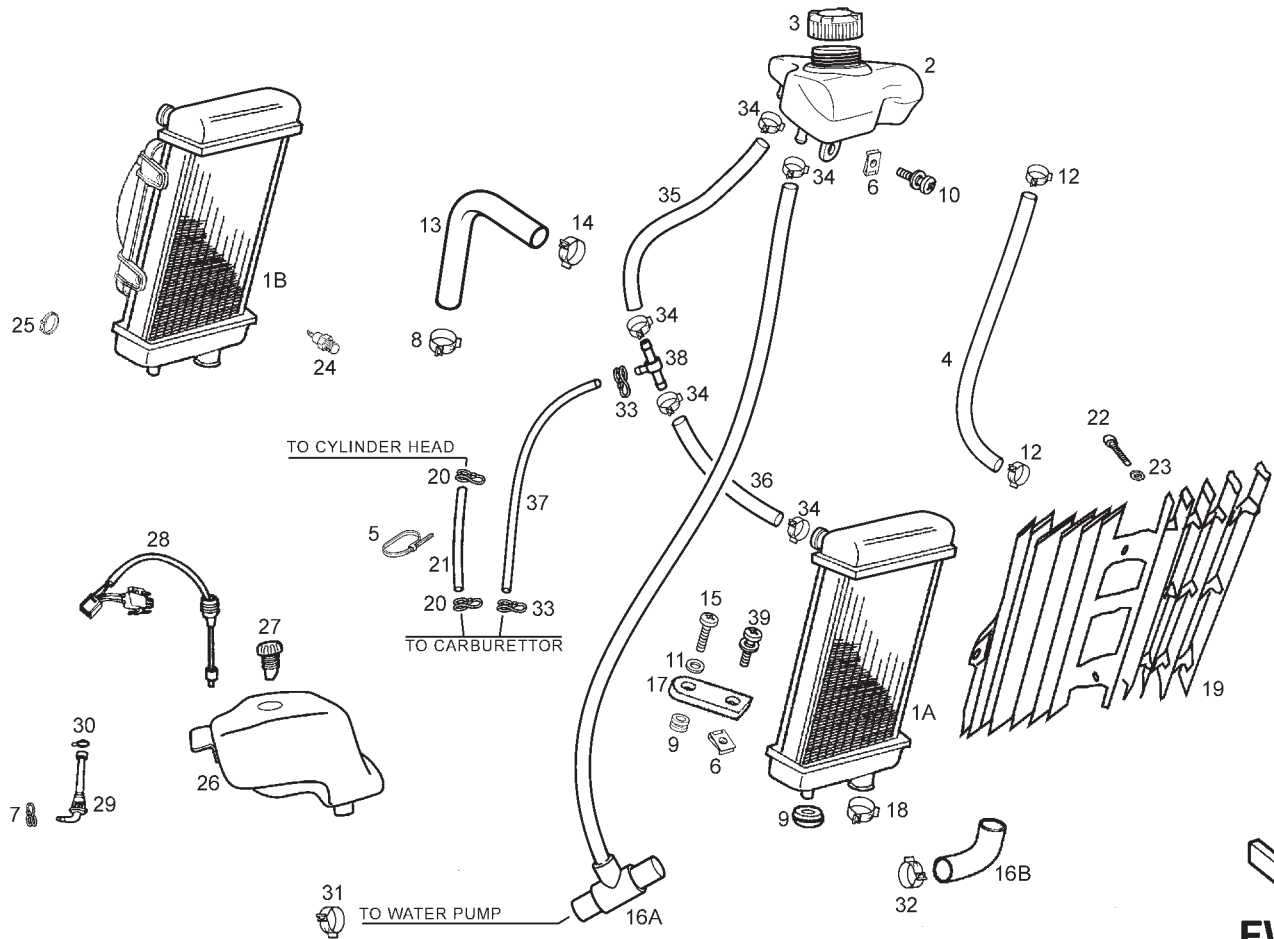
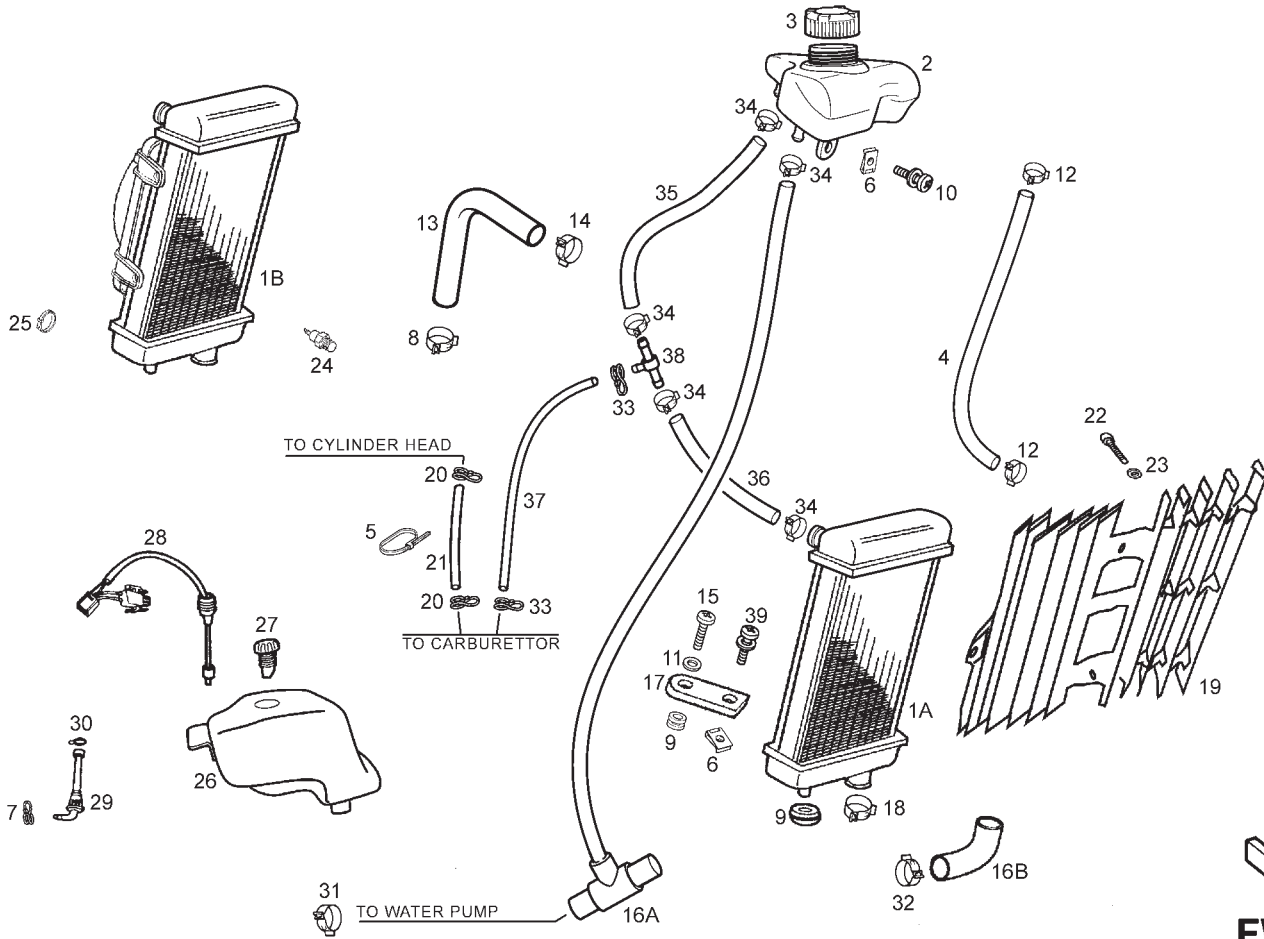


Fig.	Ver.	COD. KOD.	DESCRIPCIÓN DENOMINAZIONE NAME	BEZEICHNUNG DESIGNATION	MOD.	NOTAS NOTES NOTA MITSCHRIFT NOTES
10A		00H05900021	SCTO TORNILLO 6M100X16 VITE SCREW	SCHRAUBE VIS	123 45 6 789 ABC DEF	
11A		00D01500552	CAZOLETA SCADELLINO FISSAGGIO HOUSING EXHAUST PIPE SUPPORT	ABDECKSCHEIBE CUVETTE	123 45 6 789 ABC DEF	
12A		00G03801701	ABRAZADERA FASCETTA FISSAGGIO MANICA RADI CLAMP FASTERING RADIATOR BUSHI	OIL TANK FLANGE TUBE BRIDE TUBE RESPIRATION RÏSERVO	3 6 9 C F	ONLY SCANDINAVIA
13A		86138R	TUBO CULATA-RADIADOR TUBO TESTATA-RACCORDO TERMOCON CYLINDER HEAD PIPE-TERMOCONTAC	WASSERSCHLAUCH TUBE	123 45 6 789 ABC DEF	
14A		00H03801751	ABRAZADERA 21/8W4 FLANGIA FISSAGGIO SECURING CLAMP	BEF.-SHELLE COLLIER	123 45 6 789 ABC DEF	
15A		00000004612	TORNILLO C/ALLEN 6M100X12 VITE SCREW	SCHRAUBE VIS	123 45 6 789 ABC DEF	
16A		862493	TUBO RADIADOR A BOMBA/DEPOSITO TUBO REFRIGERAZIONE POMPA-RADI RADIATOR PUMP RUBBER TUBE	KUHLMITTELSCHLAUCH PUMPE K TUBE POMPE-RADIATEUR	12 45 78 AB DE	SINCE FRAME 7H359741
16B		00H03802031	TUBO BOMBA-RADIADOR TUBO REFRIGERAZIONE POMPA-RADI RADIATOR PUMP RUBBER TUBE	KUHLMITTELSCHLAUCH PUMPE K TUBE POMPE-RADIATEUR	3 6 9 C F	ONLY SCANDINAVIA
17A		00G02200692	OREJA SUP.SOPORTE RADIADOR PIASTRA SUPPORTO SUPERIORE UPPER RADIATOR SUPPORT	OESE KUEHLERBLOCK OREILLE SUPERIEURE SUPPORT RAD	123 45 6 789 ABC DEF	
18A		00H03801751	ABRAZADERA 21/8 W4 FASCETTA CLAMP	FLANGE BRIDE	123 45 6 789 ABC DEF	
19A		00H03805301	REJILLA RADIADOR GRIGLIA RADIATORE RADIATOR GRID	RADIATOR RADIATEUR	123 45 6 789 ABC DEF	



2nd VERSION



Fig.	Ver.	COD. KOD.	DESCRIPCIÓN DENOMINAZIONE NAME	BEZEICHUNG DESIGNATION	MOD.	NOTAS NOTES NOTA MITSCHRIFT NOTES
20A		00H00400501	ABRAZADERA ELASTICA 7,8-8,3 TUBO TUBE	SCHLAUCH TUYAU	12 45 78 AB DE	
21A		00H03801961	TUBO CARBURADOR A RACORD CULATA FASCETTA CLAMP	FLANGE BRIDE	12 45 78 AB DE	
22A		00011141300	TORNILLO AUT.C/CR.NG.4,8X13 VITE SCREW	SCHRAUBE VIS	12 3 4 5 6 7 8 9 ABC DEF	
23A		00D02600631	ARANDELA RONDELLA WASHER	SCHEIBE RONDELLE	12 3 4 5 6 7 8 9 ABC DEF	
24A		00G03800741	TERMOCONTACTO ELECTROVENTILA. TERMOCONTATTO ELETTOVENTOLA THERMOCONTACT ELECTROVENTILATO	THEMPERATURFUHLER THERMOCONTACTEUR	23 5 6 8 9 BC EF	
25A		00D00900531	BRIDA FLANGIA UNIONE CAVI BLACK CABLE TIE	KABELBINDER COLLIER	23 5 6 8 9 BC EF	
26A		00H03704081	SCTO.DEPOSITO ACEITE SUBSERBATOIO OLIO SE OIL, TANK	OILTANK RESERVOIR D,HUILE	12 3 4 5 6 7 8 9 ABC DEF	
27A		00F03710241	CTO.TAPON DEPOSITO ACEITE TAPPO SERBATOIO OLIO OIL RESERVOIR FILLER PLUG ASSY	STOPFEN OELTANK ENS. BOUCHON RESERV.HUILE S	12 3 4 5 6 7 8 9 ABC DEF	
28A		00H03703051	CTO NIVEL ACEITE TAPPO SERBATOIO OLIO OIL RESERVOIR FILLER PLUG ASSY	OLSTANDSGEBER NIVEAU D#HUILE	12 3 4 5 6 7 8 9 ABC DEF	UNTIL FRAME 7H379323
28B		864490	CTO NIVEL ACEITE TAPPO SERBATOIO OLIO OIL RESERVOIR FILLER PLUG ASSY	OLSTANDSGEBER NIVEAU D#HUILE	12 3 4 5 6 7 8 9 ABC DEF	SINCE FRAME 7H379324
29A		00H03701411	CTO.FILTRO ACEITE. FILTRO OLIO BY-PAS OIL FILTER	FILTER FILTRE A HUILLE	12 3 4 5 6 7 8 9 ABC DEF	

2nd VERSION

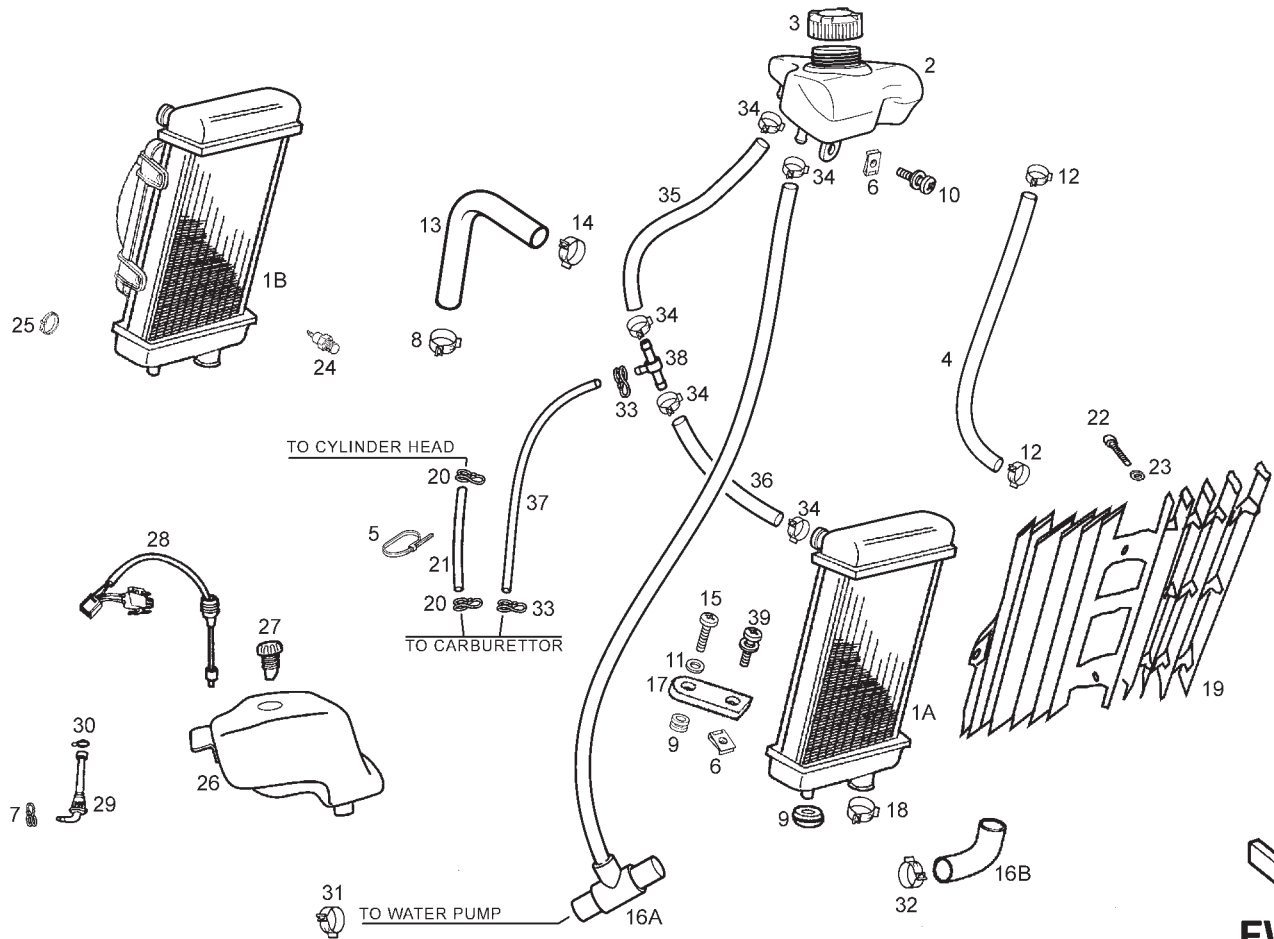


Fig.	Ver.	COD. KOD.	DESCRIPCIÓN DENOMINAZIONE NAME	BEZEICHNUNG DESIGNATION	MOD.	NOTAS NOTES NOTA MITSCHRIFT NOTES
30A		00G00400501	ABRAZADERA FIJ. GRIFO FASCETTA ELASTICA CLAMP	BEF.-SCHELLE ENTRETOISE	12 3 45 6 78 9 ABC DE F	
31A		00H03800751	ABRAZADERA 21/8 W4 FASCETTA CLAMP	FLANGE BRIDE	12 45 78 AB DE	SINCE FRAME 7H359741
32A		00H03801751	ABRAZADERA 21/8 W4 FASCETTA CLAMP	FLANGE BRIDE	3 6 9 C F	ONLY SCANDINAVIA
33A		00H00400501	ABRAZADERA ELASTICA FASCETTA CLAMP	FLANGE BRIDE	12 45 78 AB DE	SINCE FRAME 7H359741
34A		00G03801701	ABRAZADERA 13/8 W4 FASCETTA CLAMP	FLANGE BRIDE	12 45 78 AB DE	SINCE FRAME 7H359741
35A		862542	TUBO DEPOSITO A RACORD TUBO TUBE	SCHLAUCH TUYAU	12 45 78 AB DE	SINCE FRAME 7H359741
36A		862544	TUBO RACORD A RADIADOR TUBO TUBE	SCHLAUCH TUYAU	12 45 78 AB DE	SINCE FRAME 7H359741
37A		862543	TUBO RACORD A CARBURADOR TUBO TUBE	SCHLAUCH TUYAU	12 45 78 AB DE	SINCE FRAME 7H359741
38A		862541	RACORD «T» RACCORDO RACORD	RACORD RACCORD	12 45 78 AB DE	SINCE FRAME 7H359741
39A		00002061011	TORNILLO 6M100X10 VITE SCREW	SCHRAUBE VIS	12 3 45 6 78 9 ABC DE F	

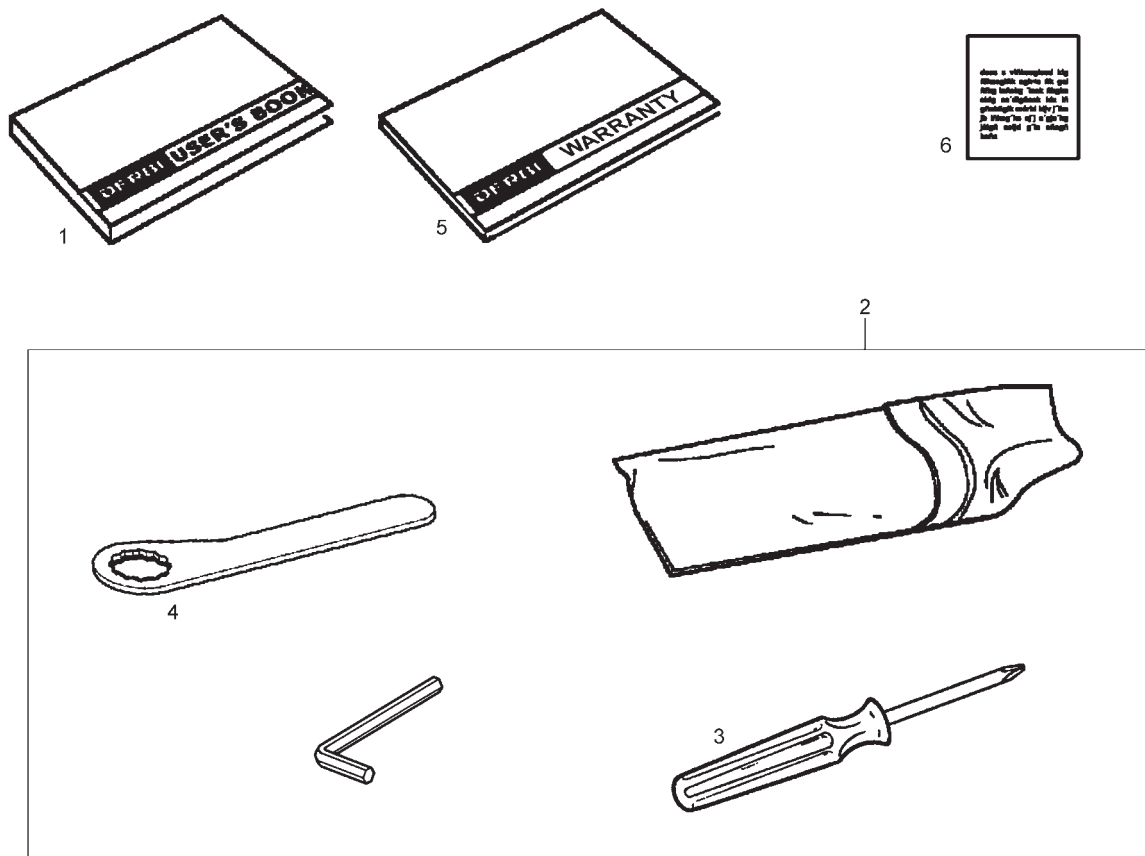


Fig.	Ver.	COD. KOD.	DESCRIPCIÓN DENOMINAZIONE NAME	BEZEICHNUNG DESIGNATION	MOD.	NOTAS NOTES NOTA MITSCHRIFT NOTES
01A		00H05160121	MANUAL INSTRUCCIONES LIBRETTI DI ISTRUZIONI USER'S BOOK	BEDIENUNGSANLEITUNG MANUEL D'INSTRUCTIONS	12 45 78 AB DE	
01B		861781	MANUAL INSTRUCCIONES LIBRETTI DI ISTRUZIONI USER'S BOOK	BEDIENUNGSANLEITUNG MANUEL D'INSTRUCTIONS	3 6 9 C F	
02A		00H05101561	CTO.BOLSA HERRTAS. SACCO FERRI TOOL POUCH	WERKZEUGTASCHE TROUSSE A OUTILS	12 3 4 5 6 7 8 9 ABC DEF	
03A		00005551290	DESTORNILLADOR. CACCIAVITE SCREW DRIVER	SCHRAUBENZIEHER TOURNEVIS	12 3 4 5 6 7 8 9 ABC DEF	
04A		00H05101011	SCTO.LLAVE BUJIA SUBCHIAVE CANDELA SE SPARK PLUG	ZUND KERZENSCHLUSSEL CLE A BOUGIE	12 3 4 5 6 7 8 9 ABC DEF	
05A		865004	MANUAL DE GARANTIA LIBRETTO DA GARANZIA BOOK OF WARRANTY	BUCH DER GARANTIE LIVRE DE GARANTIE	1 4 7 A D	EXCEPT FRANCE
06A		00H06365731	CALCA ANTIMANIPULACION ADESIVO MANUFACTURE DECAL	SCHRIFTZUG ADHESIF	12 45 78 AB DE	
06B		00H06366731	CALCA ANTIMANIPULACION ADESIVO MANUFACTURE DECAL	SCHRIFTZUG ADHESIF	3 6 9 C F	
06C		00H01855111	PLACA CARACTERISTICAS R X-TREM ADESIVO SPECIFICATIONS DECAL	SCHRIFTZUG ADHESIF	12 45 78 AB DE	
06D		00H01856111	PLACA CARACTERISTICAS SCANDINAVIA ADESIVO SPECIFICATIONS DECAL	SCHRIFTZUG ADHESIF	3 6 9 C F	
06E		00H04640141	CALCA PRESION NEUMATICA ADESIVO TYRE PRESSURE DECAL	SCHRIFTZUG ADHESIF	12 3 4 5 6 7 8 9 ABC DEF	

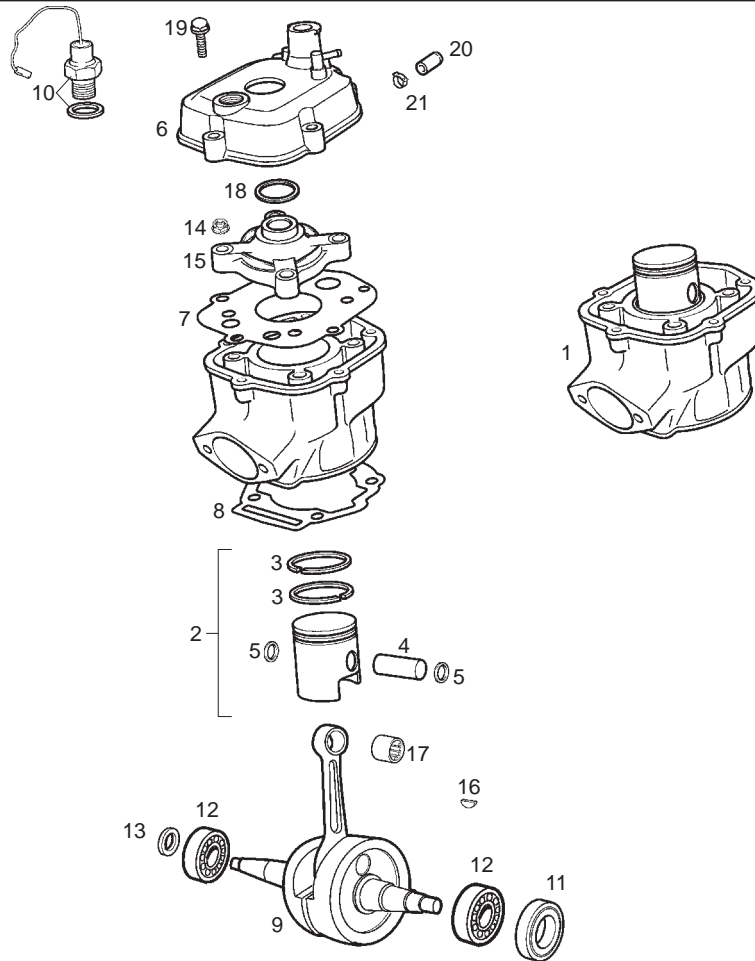


Fig.	Ver.	COD. KOD.	DESCRIPCIÓN DENOMINAZIONE NAME	BEZEICHUNG DESIGNATION	MOD.	NOTAS NOTES NOTA MITSCHRIFT NOTES
01A		847508	CTO CILINDRO-PISTON (ALUMINIO) COMP.CILINDRO PISTONE CYLINDER PISTON ASSEMBLY	ZYLINDER UND KOLBEN CYLINDRE ET PISTON COMPLET	123456 789ABC DEF	UNTIL FRAME 8H417908
01B		8772085	CTO CILINDRO-PISTON (HIERRO) COMP.CILINDRO PISTONE CYLINDER PISTON ASSEMBLY	ZYLINDER UND KOLBEN CYLINDRE ET PISTON COMPLET	123456 789ABC DEF	BETWEEN 8H417909 9H434746
01C		877719	CTO CILINDRO-PISTON (HIERRO) COMP.CILINDRO PISTONE CYLINDER PISTON ASSEMBLY	ZYLINDER UND KOLBEN CYLINDRE ET PISTON COMPLET	123456 789ABC DEF	SINCE FRAME 9H434747
02A		8472625001	CTO PISTON (A) - v/ALUMINIO PISTONE (A) PISTON (A)	KOLBEN KOMPL.(A) PISTON-COMPLET (A)	123456 789ABC DEF	UNTIL FRAME 8H417908
02B		8472625002	CTO PISTON (B) - v/ALUMINIO PISTONE (B) PISTON (B)	KOLBEN KOMPL. (B) PISTON-COMPLET (B)	123456 789ABC DEF	UNTIL FRAME 8H417908
02C		8472625003	CTO PISTON (C) - v/ALUMINIO PISTONE (C) PISTON (C)	KOLBEN KOMPL. (C) PISTON-COMPLET (C)	123456 789ABC DEF	UNTIL FRAME 8H417908
02D		8472625004	CTO PISTON (D) - v/ALUMINIO PISTONE (D) PISTON (D)	KOLBEN KOMPL. (D) PISTON-COMPLET (D)	123456 789ABC DEF	UNTIL FRAME 8H417908
02E		8744440001	CTO PISTON (A) - v/HIERRO PISTONE (A) PISTON (A)	KOLBEN KOMPL.(A) PISTON-COMPLET (A)	123456 789ABC DEF	BETWEEN 8H417909 9H434746
02F		8744440002	CTO PISTON (B) - v/HIERRO PISTONE (B) PISTON (B)	KOLBEN KOMPL. (B) PISTON-COMPLET (B)	123456 789ABC DEF	BETWEEN 8H417909 9H434746
02G		8744440003	CTO PISTON (C) - v/HIERRO PISTONE (C) PISTON (C)	KOLBEN KOMPL. (C) PISTON-COMPLET (C)	123456 789ABC DEF	BETWEEN 8H417909 9H434746
02H		8744440004	CTO PISTON (D) - v/HIERRO PISTONE (D) PISTON (D)	KOLBEN KOMPL. (D) PISTON-COMPLET (D)	123456 789ABC DEF	BETWEEN 8H417909 9H434746

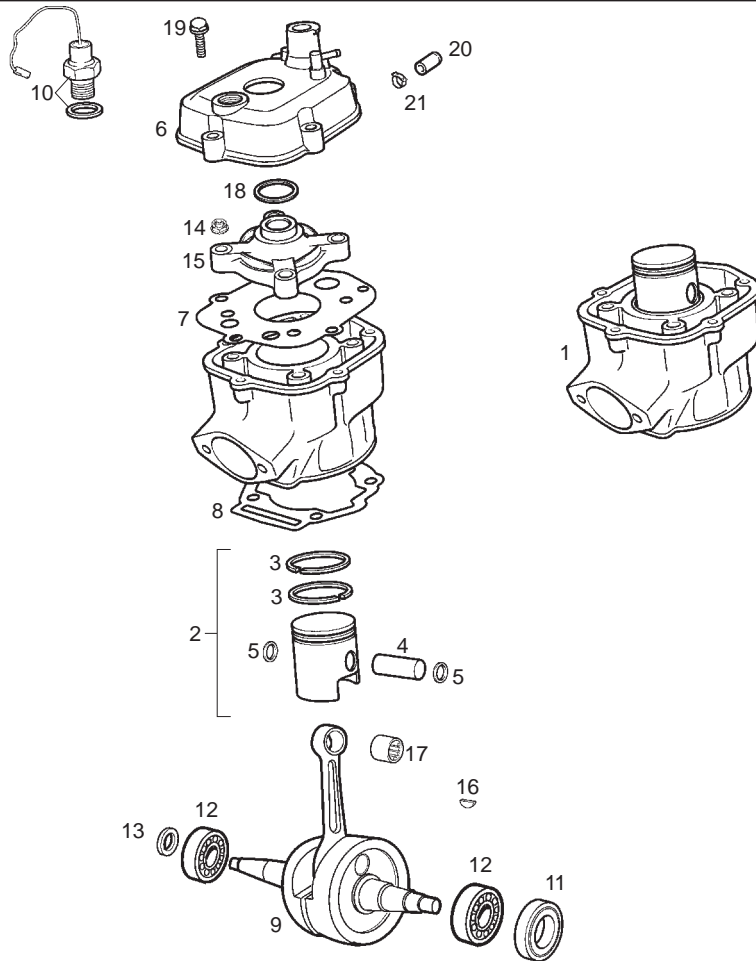


Fig.	Ver.	COD. KOD.	DESCRIPCIÓN DENOMINAZIONE NAME	BEZEICHNUNG DESIGNATION	MOD.	NOTAS NOTES NOTA MITSCHRIFT NOTES
02I		8770700001	CTO PISTON (A) - v/HIERRO PISTONE (D) PISTON (D)	KOLBEN KOMPL. (D) PISTON-COMPLET (D)	123456 789ABC DEF	SINCE FRAME 9H434747
02J		8770700002	CTO PISTON (B) - v/HIERRO PISTONE (D) PISTON (D)	KOLBEN KOMPL. (D) PISTON-COMPLET (D)	123456 789ABC DEF	SINCE FRAME 9H434747
02K		8770700003	CTO PISTON (C) - v/HIERRO PISTONE (D) PISTON (D)	KOLBEN KOMPL. (D) PISTON-COMPLET (D)	123456 789ABC DEF	SINCE FRAME 9H434747
02L		8770700004	CTO PISTON (D) - v/HIERRO PISTONE (D) PISTON (D)	KOLBEN KOMPL. (D) PISTON-COMPLET (D)	123456 789ABC DEF	SINCE FRAME 9H434747
03A		847006	ARO PISTON R-SEGMENTO PISTONE PISTON RING	KOLBENDICHTRING SEGMENT DE PISTON	123456 789ABC DEF	UNTIL FRAME 9H434746
03B		877072	ARO PISTON R-SEGMENTO PISTONE PISTON RING	KOLBENDICHTRING SEGMENT DE PISTON	123456 789ABC DEF	SINCE FRAME 9H434747
04A		847012	BULON PISTON SPINOTTO PISTONE PISTON PIN	KOLBENBOLZEN AXE PISTON	123456 789ABC DEF	
05A		847178	ANILLO BULON R-SEGMENTO SPINOTTO CIRCLIP, PISTON PIN	SICHERUNGSRING CLIPS AXE PISTON	123456 789ABC DEF	UNTIL FRAME 9H434746
05B		878519	ANILLO BULON R-SEGMENTO SPINOTTO CIRCLIP, PISTON PIN	SICHERUNGSRING CLIPS AXE PISTON	123456 789ABC DEF	SINCE FRAME 9H434747
06A		CM151902	TAPA CULATIN COPERCHIO TESTA CYLINDER HEAD COVER	ZYLINDERKOPF DECKEL COUVERCLE CULASSE	123456 789ABC DEF	
07A		847009	JUNTA CULATA CILINDRO GUARNIZIONE TESTA GASKET CYLINDER HEAD	ZYLINDERKOPFDICHTUNG JOINT DE CULASSE	123456 789ABC DEF	

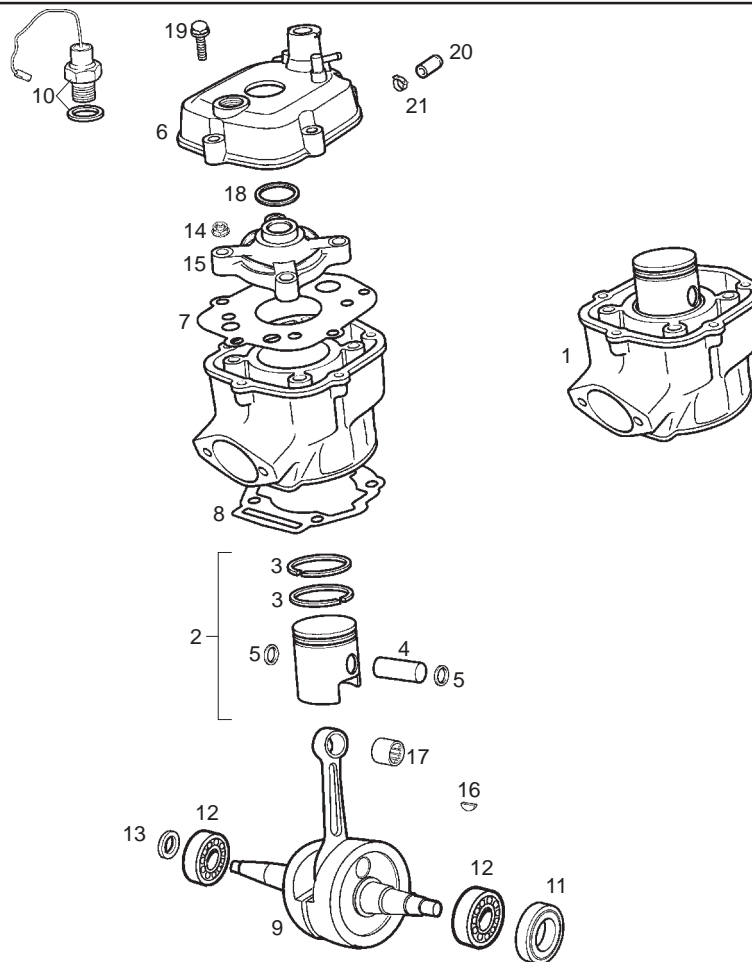


Fig.	Ver.	COD. KOD.	DESCRIPCIÓN DENOMINAZIONE NAME	BEZEICHUNG DESIGNATION	MOD.	NOTAS NOTES NOTA MITSCHRIFT NOTES
08A	01	847014	JUNTA CARTER-CILINDRO v/ALUMINIO GUARNIZIONE CILINDRO GASKET, CYLINDER	ZYLINDERPUBDICHTUNG JOINT DE CYLINDRE	123 45 6 789 ABC DEF	UNTIL FRAME 8H417908
08A		CM159502	JUNTA CARTER-CILINDRO v/ALUM (0,5) GUARNIZIONE CILINDRO GASKET, CYLINDER	ZYLINDERPUBDICHTUNG JOINT DE CYLINDRE	123 45 6 789 ABC DEF	UNTIL FRAME 8H417908
08B		CM159501	JUNTA CARTER-CILINDRO v/HIERRO (0,3) GUARNIZIONE CILINDRO GASKET, CYLINDER	ZYLINDERPUBDICHTUNG JOINT DE CYLINDRE	123 45 6 789 ABC DEF	SINCE FRAME 8H417909
08C		CM159502	JUNTA CARTER-CILINDRO v/HIERRO (0,5) GUARNIZIONE CILINDRO GASKET, CYLINDER	ZYLINDERPUBDICHTUNG JOINT DE CYLINDRE	123 45 6 789 ABC DEF	SINCE FRAME 8H417909
08D		CM159503	JUNTA CARTER-CILINDRO v/HIERRO (0,7) GUARNIZIONE CILINDRO GASKET, CYLINDER	ZYLINDERPUBDICHTUNG JOINT DE CYLINDRE	123 45 6 789 ABC DEF	SINCE FRAME 8H417909
09A		847026	CTO CIGÜEÑAL-BIELA ALBERO MOTORE CRANK SHAFT ROD	KURBELWELLE VILEBREQUIN COMPLET	123 45 6 789 ABC DEF	
10A		847010	TERMOCONTACTO TERMOCONTACTO TERMOCONTACT	THERMOKONTAKT TERMOCONTACTO	123 45 6 789 ABC DEF	
11A		847020	RETEN CIGÜEÑAL GIUNTO TENUTA SEAL	DICHTRING JOINT	123 45 6 789 ABC DEF	
12A		847172	COJINETE CUSCINETTO BEARING	LAGER COUSSINET	123 45 6 789 ABC DEF	
13A		847020	RETEN CIGÜEÑAL GIUNTO TENUTA SEAL	DICHTRING JOINT	123 45 6 789 ABC DEF	
14A		436947	TUERCA EXAGONAL C/BRIDA 7M100 DADO NUT	MUTTER ECROU	123 45 6 789 ABC DEF	

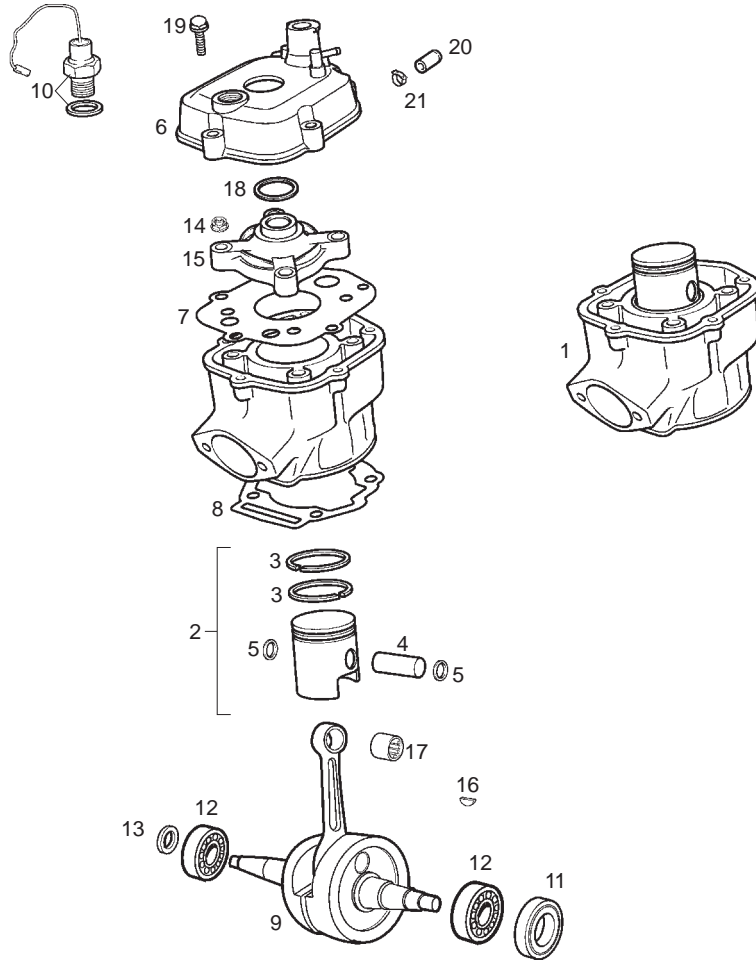


Fig.	Ver.	COD. KOD.	DESCRIPCIÓN DENOMINAZIONE NAME	BEZEICHNUNG DESIGNATION	MOD.	NOTAS NOTES NOTA MITSCHRIFT NOTES
15A		847008	CULATIN TESTA CYLINDER HEAD	ZYLINDERKOPF CULASSE	123456 789ABC DEF	
16A		847215	CHAVETA VOLANTE MAGNETICO SPINA KEY	KEIL CLAVETTE	123456 789ABC DEF	
17A	01	847529	JAULA PIE BIELA GABBIA PIEDE BIELLA BEARING, PISTON PIN	NADELLAGER CAGE A AIGUILLE DE PIED DE	123456 789ABC DEF	
17A		00002125170	JAULA PIE BIELA GABBIA PIEDE BIELLA BEARING, PISTON PIN	NADELLAGER CAGE A AIGUILLE DE PIED DE	123456 789ABC DEF	
18A		847007	JUNTA TORICA CULATIN GUARNIZIONE TESTA GASKET CYLINDER HEAD	ZYLINDERKOPFDICHTUNG JOINT DE CULASSE	123456 789ABC DEF	
19A		CM149804	TORNILLO FIJ. TAPA 6X25 VITE SCREW	SCHRAUBE VIS	123456 789ABC DEF	
20A		00H05001411	TAPON RACORD CULATA TAPO CAP	KAPPE BOUCHON	3 6 9 C F	
21A		00F03700131	ABRAZADERA FIJACION FASCETTA CLAMP	FLANGE BRIDE	3 6 9 C F	

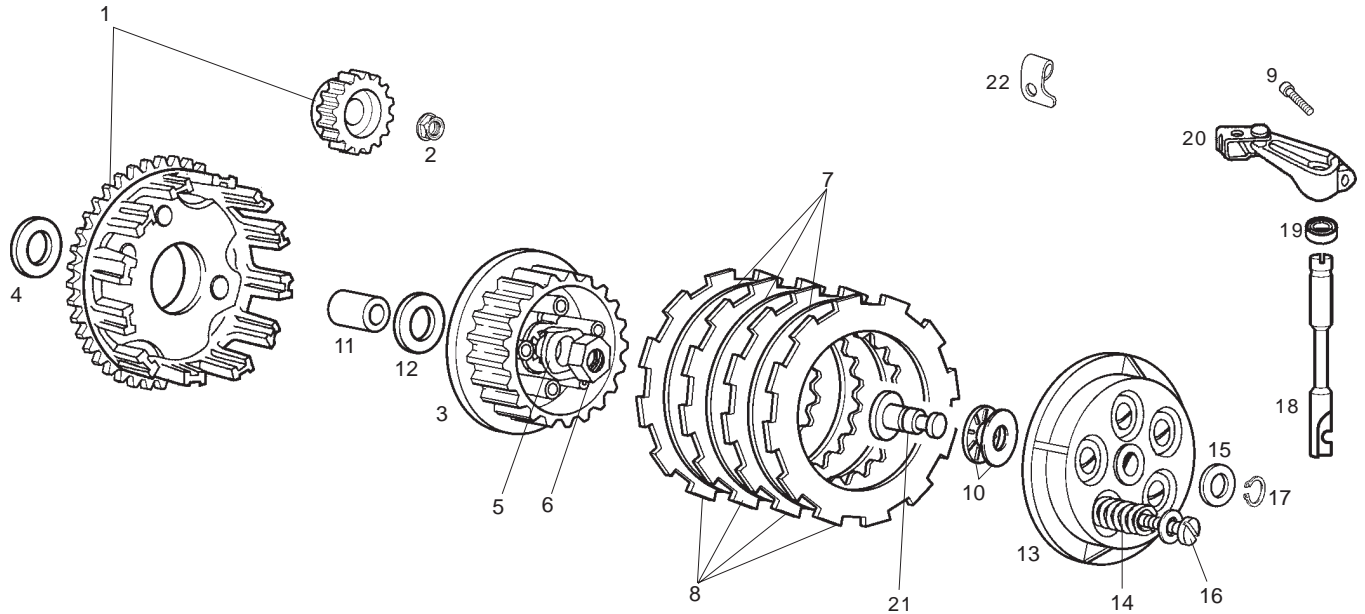


Fig.	Ver.	COD. KOD.	DESCRIPCIÓN DENOMINAZIONE NAME	BEZEICHUNG DESIGNATION	MOD.	NOTAS NOTES NOTA MITSCHRIFT NOTES
01A		847098	CTO. RUEDA AMORT. EMBRAGUE R-RUOTA FRIZIONE CLUTCH HOUSING AND DAMPER	KUPPLUNGSRAD CLOCHE EMBRAYAGE AVEC PIGNO	123 456 789ABC DEF	
02A		847217	TUERCA C/BASE 10M100 DADO NUT	MUTTER ECROU	123 456 789ABC DEF	
03A		847045	CAMPANA CONDUCTIDA CAMPANA GUIDATA CLUTCH HUB.	GLOCKE TAMBOUR EMBRAYAGE	123 456 789ABC DEF	
04A		847218	ARANDELA PROTEC.INT.BUJE EMBRAG. RONDELLA WASHER	SCHEIBE RONDELLE	123 456 789ABC DEF	
05A		847220	PRECTO.TCA.EMBRG. PIASTRINA DADO FRIZIONE WASHER, RETAINING	SICHERUNG FREIN DIECROU DIEMBRAYAGE	123 456 789ABC DEF	
06A	01	847221	TUERCA EMBRAGUE DADO NUT	MUTTER ECROU	123 456 789ABC DEF	
06A		00000326260	TUERCA EMBRAGUE DADO NUT	MUTTER ECROU	123 456 789ABC DEF	
07A		847043	DISCO CONDUCTIDO DISCO GUIDATO DRIVEN CLUTCH PLATE	SCHEIBE DISQUE EMBRAYAGE LISSE	123 456 789ABC DEF	
08A		847044	SCTO.DISCO CONDUCTOR SUBDISCO GUIDA CLUTCH PLATE	KUPPLUNGSRELAG DISQUE EMBRAYAGE GARNI	123 456 789ABC DEF	
09A	01	847179	TORNILLO 6M100X20 VITE SCREW	SCHRAUBE VIS	123 456 789ABC DEF	
09A		00052062011	TORNILLO 6M100X20 VITE SCREW	SCHRAUBE VIS	123 456 789ABC DEF	

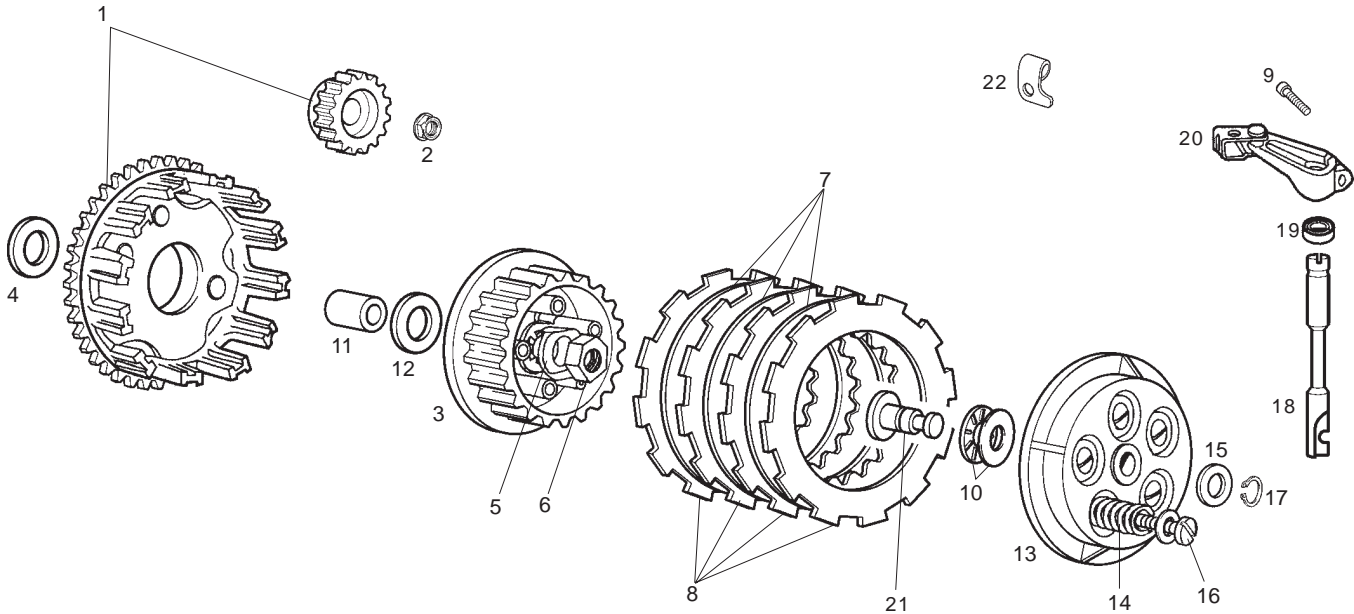


Fig.	Ver.	COD. KOD.	DESCRIPCIÓN DENOMINAZIONE NAME	BEZEICHNUNG DESIGNATION	MOD.	NOTAS NOTES NOTA MITSCHRIFT NOTES
10A		82835R	RODAMTO.AXIAL CREMALL.EMBRG. CUSCINETTO SFERE RADIALE CREMA BALL BEARING	LAGER ROULEMENT AXIAL	12 3 4 5 6 7 8 9 ABC DEF	
11A		847040	CASQUILLO BUJE EMBRAGUE GHIERA BRONZINA FRIZIONE BUSHING	FUHRUNGSBUCHSE GABELSCHENK ENTRETOISE	12 3 4 5 6 7 8 9 ABC DEF	
12A		847042	ARANDELA ROZAMTO.CAMPANA. RONDELLA WASHER	SCHEIBE RONDELLE	12 3 4 5 6 7 8 9 ABC DEF	
13A		847046	TAPA CIERRE EMBRAG COPERCHIO CHIUSURA FRIZIONE G. OUTER CLUTCH PLATE	KUPPLINGS-VERSCHLUSSDECKEL PLATEAU EXTERIEUR D,EMBRAYA	12 3 4 5 6 7 8 9 ABC DEF	
14A		847047	MUELLE REGULAC. EMBRAGUE MOLLA REGOLAZIONE FRIZIONE CLUTCH SPRING	STELLFEDER RESORT REGLAGE	12 3 4 5 6 7 8 9 ABC DEF	
15A		847224	ARANDELA TOPE PIÑON INTERMD. RONDELLA WASHER	SCHEIBE RONDELLE	12 3 4 5 6 7 8 9 ABC DEF	
16A		847048	SCTO. TORNILLO 5M80X35 VITE SCREW	SCHRAUBE VIS	12 3 4 5 6 7 8 9 ABC DEF	
17A	01	847225	ANILLO SEGURIDAD ANELLO SICUREZZA CIRCLIP	SEEGERRING CIRCLIP	12 3 4 5 6 7 8 9 ABC DEF	
17A		0000047110	ANILLO SEGURIDAD ANELLO SICUREZZA CIRCLIP	SEEGERRING CIRCLIP	12 3 4 5 6 7 8 9 ABC DEF	
18A		847083	EJE DESEMBRAGUE ASSE DISINNESCO FRIZIONE CLUTCH SHAFT	KUPPLUNGSACHSE AXE	12 3 4 5 6 7 8 9 ABC DEF	
19A		847075	RETEN EJE MANDO GIUNTO TENUTA SEAL	DICHTRING JOINT	12 3 4 5 6 7 8 9 ABC DEF	

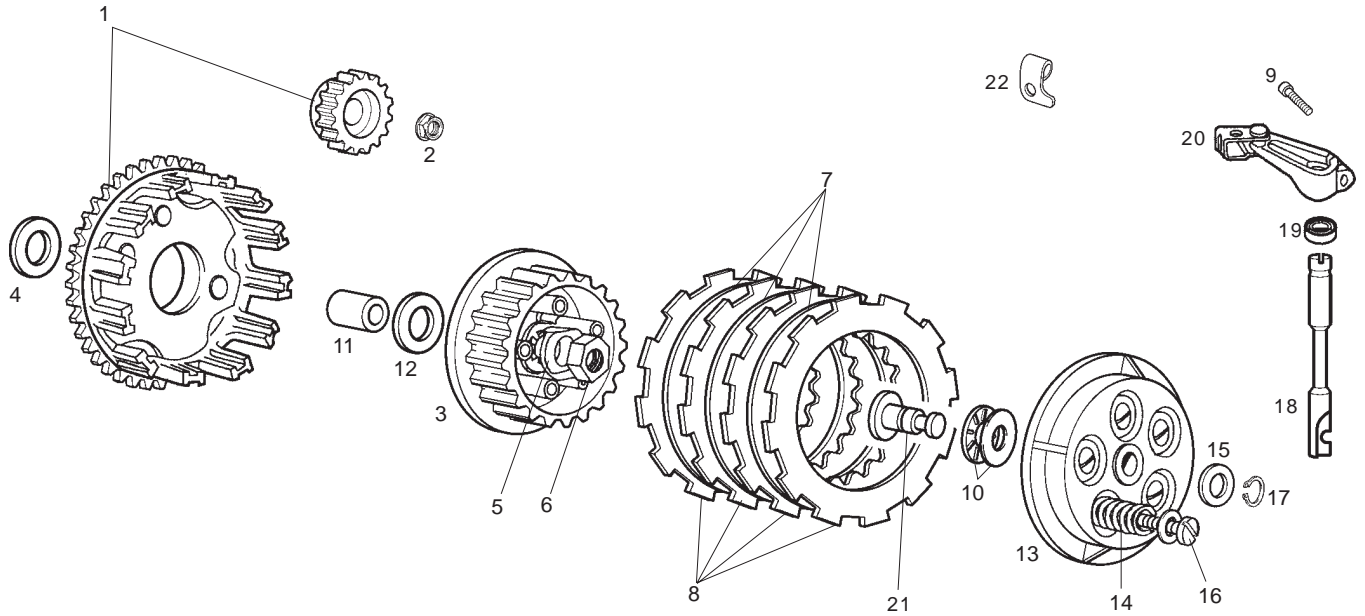


Fig.	Ver.	COD. KOD.	DESCRIPCIÓN DENOMINAZIONE NAME	BEZEICHNUNG DESIGNATION	MOD.	NOTAS NOTES NOTA MITSCHRIFT NOTES
20A		CM151201	SCTO.PALANCA DESEMBRAGUE SUBLEVA DISINNESCO F CLUTCH LEVER	KUPPLUNGSHEBEL LEVIER EMBRAYAGE	123456 789ABC DEF	
21A		847223	DESPLAZABLE EMBRAGUE ASSE FRIZIONE CLUTCH SHAFT	KUPPLUNGSACHSE AXE	123456 789ABC DEF	
22A		847090	PLACA TENSOR CABLE EMBRAGUE PIASTRINA PLATE	PLATTE PLAQUE	123456 789ABC DEF	

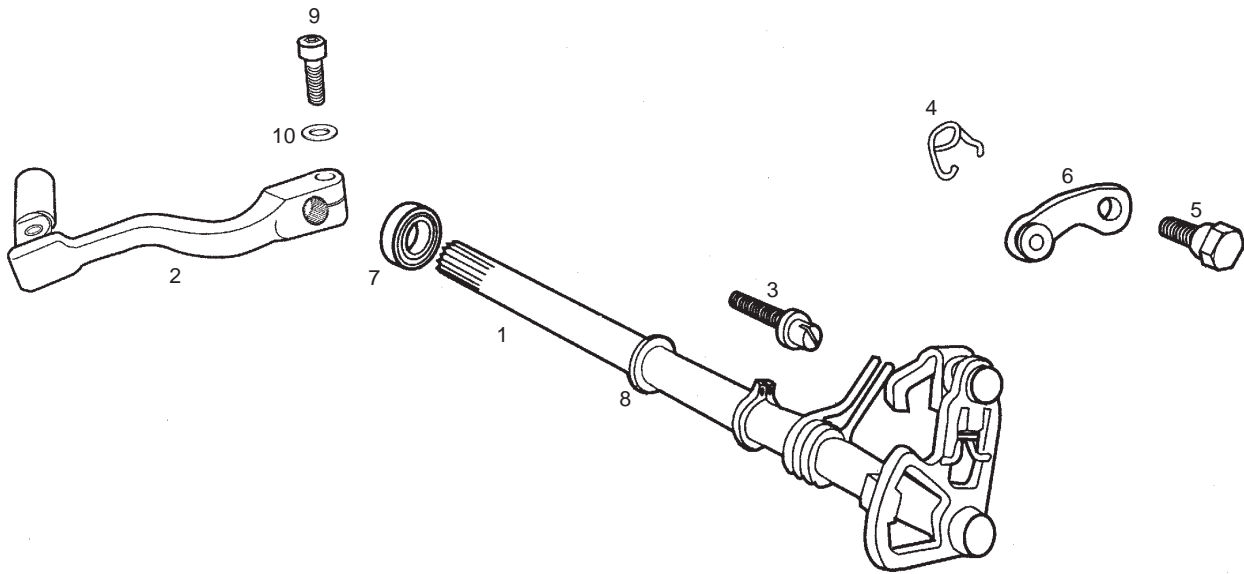


Fig.	Ver.	COD. KOD.	DESCRIPCIÓN DENOMINAZIONE NAME	BEZEICHNUNG DESIGNATION	MOD.	NOTAS NOTES NOTA MITSCHRIFT NOTES
01A		847236	EJE SELECTOR SUBASSE SELETTORE S-ASSY. SELECTOR SHAFT	SCHALTACHSE S-ENSEMBLE AXE SELECTEUR	123456 789ABC DEF	
02A		00H02703421	CTO PALANCA CAMBIO LEVA CAMBIO GEARSHIFT ASSY.	GRUPPE GANGSCHALTABEL PEDALE DE SELECTEUR	123456 789ABC DEF	
03A		847073	ESPARRAGO MUELLE SELECTOR BULLONE MOLLA SELETTORE SCREW, SELECTOR SPRING ADJ.	FEDERSTIFT AXE EXCENTRIQUE	123456 789ABC DEF	
04A		847069	MUELLE FIJ.MARCHAS. MOLLA FISSAGGIO MARCE GEAR FIXING SPARING	BEF.-FEDER RESSORT	123456 789ABC DEF	
05A		847070	TORNILLO GUIA FIJ.MARCHAS VITE SCREW	SCHRAUBE VIS	123456 789ABC DEF	
06A		847068	SCTO.PALANCA FIJ.MARCHAS. SUBLEVA FISSAGGIO MA LEVER FIXING GEARS	GANSCHALTHEEEL LEVIER FIXATION PIGNONS	123456 789ABC DEF	
07A		847075	RETEN EJE MANDO RICHIAMO ASSE COMANDO SELETTOR OIL SEAL, SELECTOR SHAFT	SIMMERRING JOINT ANTI-FUITE	123456 789ABC DEF	
08A	01	847228	ARANDELA SEGURO TAMBOR RONDELLA WASHER	SCHEIBE RONDELLE	123456 789ABC DEF	
08A		00002028770	ARANDELA SEGURO TAMBOR RONDELLA WASHER	SCHEIBE RONDELLE	123456 789ABC DEF	
09A		00002062511	TORNILLO C/ALLEN 6M100X25 VITE SCREW	SCHRAUBE VIS	123456 789ABC DEF	
10A		00442060002	ARANDELA MUELLE D6 RONDELLA WASHER	SCHEIBE RONDELLE	123456 789ABC DEF	

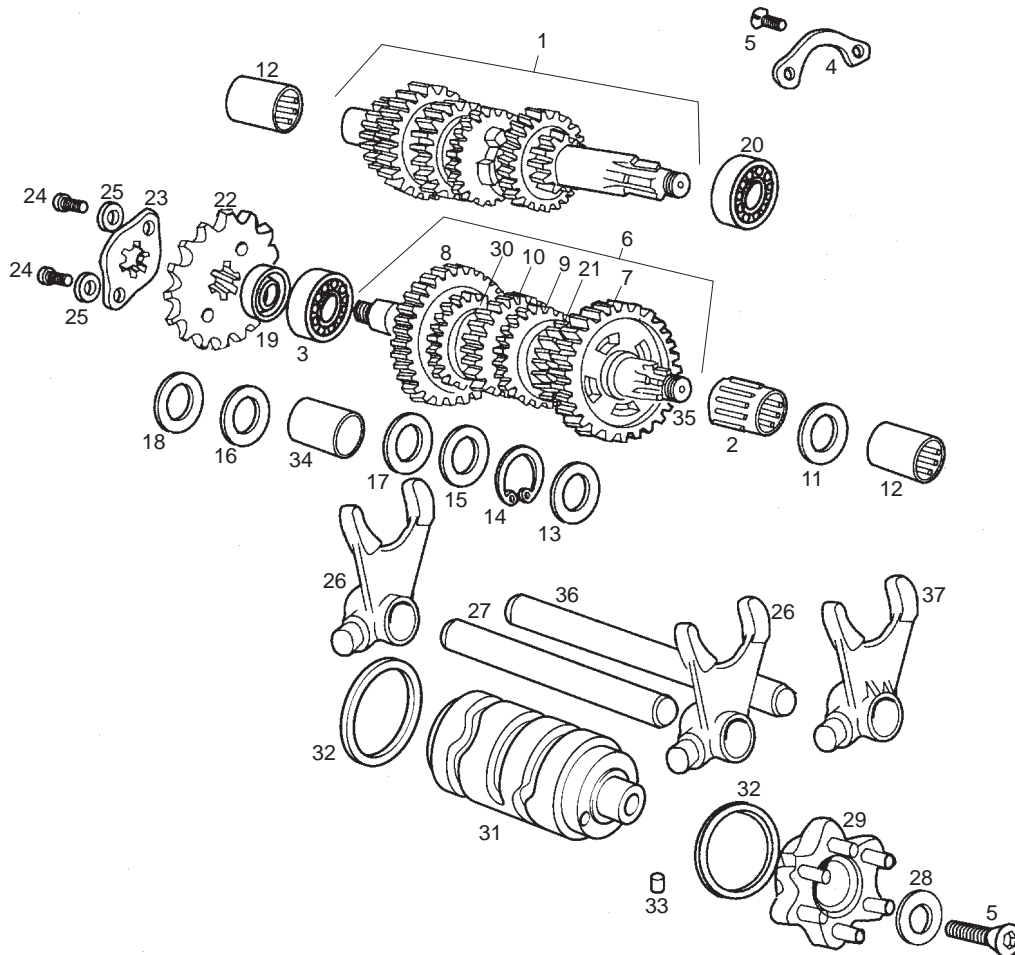


Fig.	Ver.	COD. KOD.	DESCRIPCIÓN DENOMINAZIONE NAME	BEZEICHUNG DESIGNATION	MOD.	NOTAS NOTES NOTA MITSCHRIFT NOTES
01A		847027	SCTO. EJE PRIMARIO 6V SUBASSE PRIMARIO DRIVE SHAFT.	PRIMARCHSE AXE PRIMAIRE	123456 789ABC DEF	
02A		847544	CORONA AGUJAS PIÑON CORONA RULLINI PIGNONE NEEDLE BEARING	BADELLGER ROULEMENT AIGUILLES	123456 789ABC DEF	
03A		847086	COJINETE CUSCINETTO BEARING	LAGER COUSSINET	123456 789ABC DEF	
04A		847021	PRECINTO COJINETE EJE PRIMARIO PIASTRINA CUSCINETTO ASSE PRIM PLATE POSITION BALL BEARINGS	KUGELLEGERPRIMDRACHSE BUTEE DE ROULEMENT	123456 789ABC DEF	
05A	01	847210	TORNILLO AV.ALL.5M80X10 VITE SCREW	SCHRAUBE VIS	123456 789ABC DEF	
05A		00000013510	TORNILLO AV.ALL.5M80X10 VITE SCREW	SCHRAUBE VIS	123456 789ABC DEF	
06A		847028	CTO. EJE SECUNDARIO 6V ASSE SECONDARIO OUTPUT SHAFT	SEKUNDRACHSE AXE SECONDAIRE MONTE COMPLE	123456 789ABC DEF	
07A		847153	PIÑON SECUNDARIO I Z-34 PIGNONE GEAR	RITZEL PIGNON	123456 789ABC DEF	
08A		847157	PIÑON SECUNDARIO II Z-30 PIGNONE GEAR	RITZEL PIGNON	123456 789ABC DEF	
09A		847155	PIÑON SECUNDARIO III Z-27 PIGNONE GEAR	RITZEL PIGNON	123456 789ABC DEF	
10A		847156	PIÑON SECUNDARIO IV Z-24 PIGNONE GEAR	RITZEL PIGNON	123456 789ABC DEF	

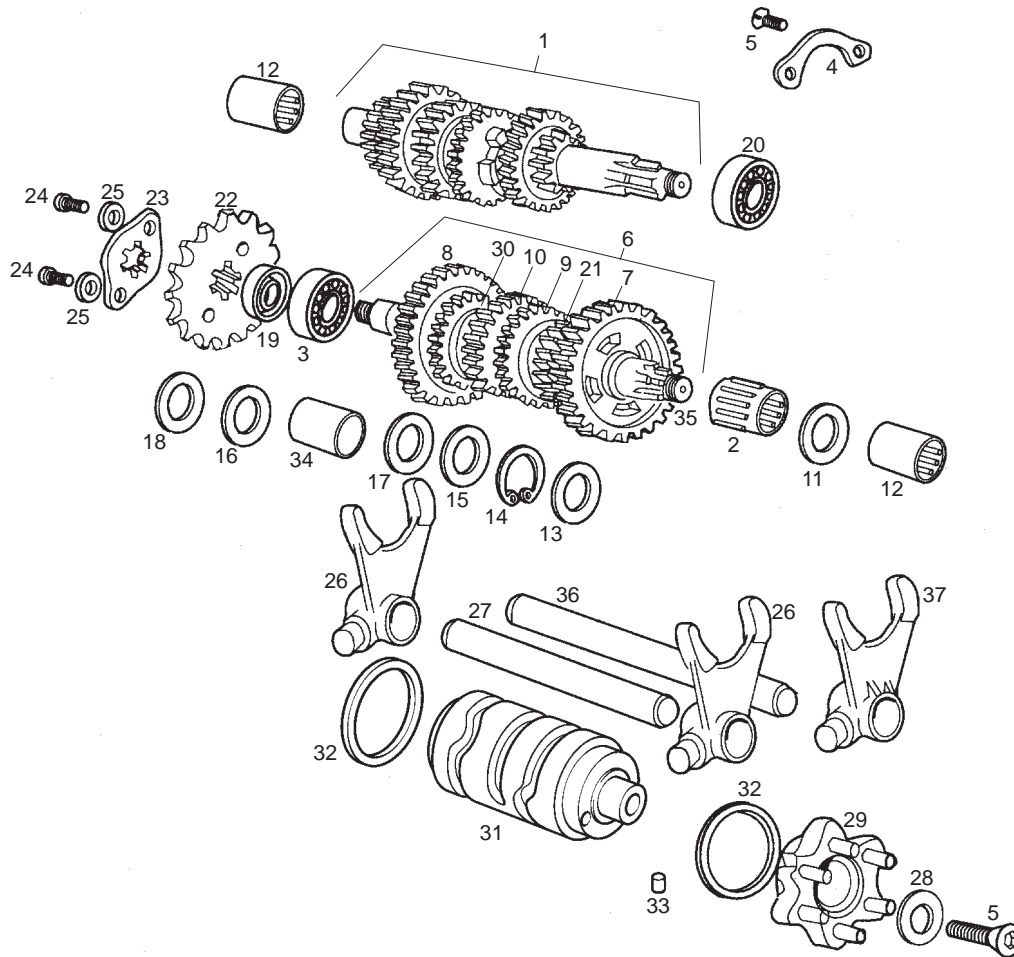


Fig.	Ver.	COD. KOD.	DESCRIPCIÓN DENOMINAZIONE NAME	BEZEICHNUNG DESIGNATION	MOD.	NOTAS NOTES NOTA MITSCHRIFT NOTES
11A		847549	ARANDELA REGLAJE EJE SECUNDARIO RONDELLA WASHER	SCHEIBE RONDELLE	12 3 4 5 6 7 8 9 ABC DEF	
12A		847211	CASQUILLO AGUJAS GHIERA RULLINI NEEDLE BEARING	NADELLGER CAGE A AIGUILLES	12 3 4 5 6 7 8 9 ABC DEF	
13A		847550	ARANDELA ROZAMTO.PIÑÓN SECUND.I RONDELLA WASHER	SCHEIBE RONDELLE	12 3 4 5 6 7 8 9 ABC DEF	
14A		847542	ANILLO SEGURIDAD ANELLO SICUREZZA CIRCLIP	SEEGERRING CIRCLIP	12 3 4 5 6 7 8 9 ABC DEF	
15A		847548	ARANDELA RONDELLA WASHER	SCHEIBE RONDELLE	12 3 4 5 6 7 8 9 ABC DEF	
16A		847541	ARANDELA RONDELLA WASHER	SCHEIBE RONDELLE	12 3 4 5 6 7 8 9 ABC DEF	
17A		847546	ARANDELA RONDELLA WASHER	SCHEIBE RONDELLE	12 3 4 5 6 7 8 9 ABC DEF	
18A		847545	ARANDELA RONDELLA WASHER	SCHEIBE RONDELLE	12 3 4 5 6 7 8 9 ABC DEF	
19A		847019	RETEN.PIÑÓN SALIDA CAMBIO GIUNTO TENUTA SEAL	DICHTRING JOINT	12 3 4 5 6 7 8 9 ABC DEF	
20A		847209	COJINETE CUSCINETTO BEARING	LAGER COUSSINET	12 3 4 5 6 7 8 9 ABC DEF	
21A		847154	PIÑÓN SECUNDARIO V Z-23 PIGNONE GEAR	RITZEL PIGNON	12 3 4 5 6 7 8 9 ABC DEF	

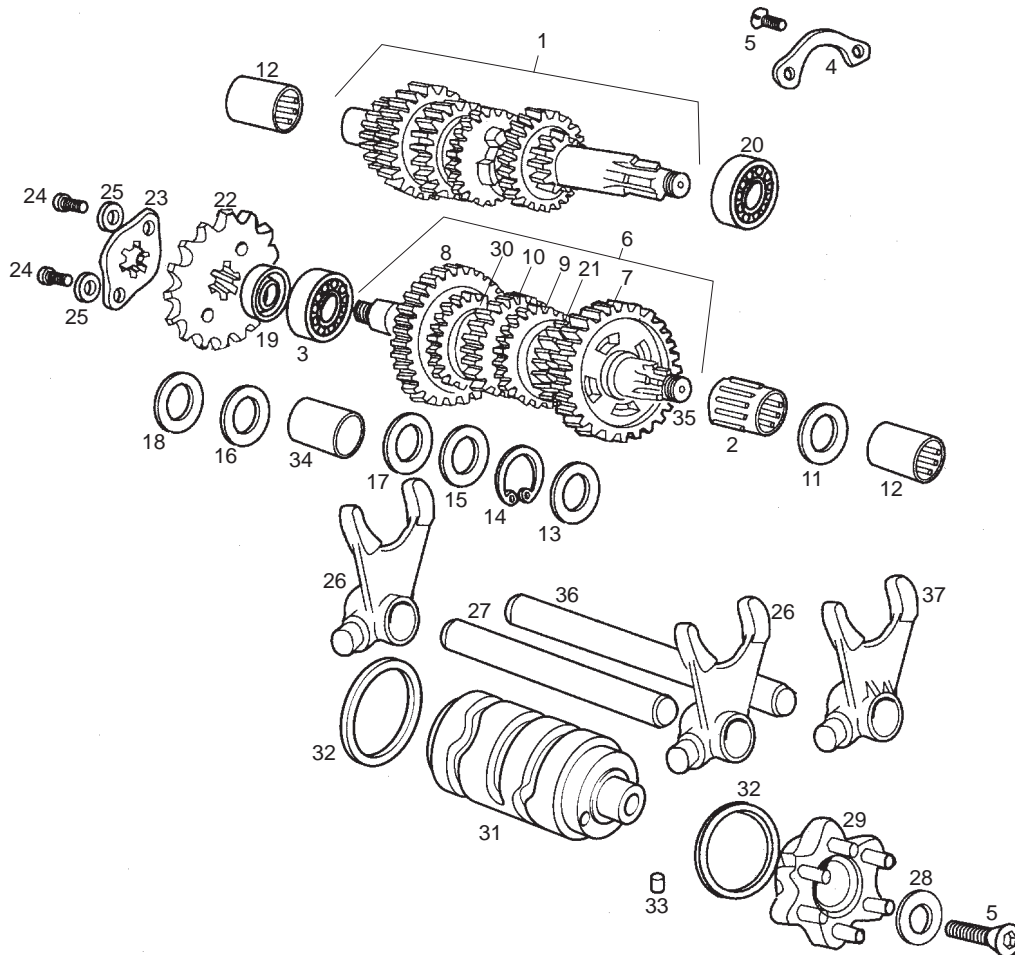


Fig.	Ver.	COD. KOD.	DESCRIPCIÓN DENOMINAZIONE NAME	BEZEICHUNG DESIGNATION	MOD.	NOTAS NOTES NOTA MITSCHRIFT NOTES
22A	01	00H02813371	PIÑÓN SALIDA CAMBIO Z-11 PIGNONE GEAR	RITZEL PIGNON	12 45 78 AB DE	
22A		86177R	PIÑÓN SALIDA CAMBIO Z-11 PIGNONE GEAR	RITZEL PIGNON	12 45 78 AB DE	
22B		00H02808371	PIÑÓN SALIDA CAMBIO Z-12 PIGNONE GEAR	RITZEL PIGNON	3 6 9 C F	
23A		00H02800421	PRECINTO PIÑÓN SALIDA CAMBIO PIASTRINA PIGNONE USCITA CAMBI LOCKWASHER, COUNTERSHAFT SPROK	HALTER RONDELLE DE SECURITE SBV.	12 45 78 AB DE	
23B		00H02810421	PRECINTO PIÑÓN SALIDA CAMBIO PIASTRINA PIGNONE USCITA CAMBI LOCKWASHER, COUNTERSHAFT SPROK	HALTER RONDELLE DE SECURITE SBV.	3 6 9 C F	
24A		00002041050	TORNILLO C/ALLEN 4M70X10 VITE SCREW	SCHRAUBE VIS	12 45 78 AB DE	
24B		00000004510	TORNILLO C/ALLEN 5M80X10 VITE SCREW	SCHRAUBE VIS	3 6 9 C F	
25A		00000033040	ARANDELA MUELLE D4 RONDELLA WASHER	SCHEIBE RONDELLE	12 45 78 AB DE	
25B		00000034050	ARANDELA MUELLE D5 RONDELLA WASHER	SCHEIBE RONDELLE	3 6 9 C F	
26A		847032	HORQUILLA SECUNDARIA FORCELLA SECONDARIA FORK OUTPUT	SHALTGABEL FOURCHETTE	123 45 6 789ABC DEF	
27A		847030	EJE HORQUILLA SECUNDARIA ASSE FORCELLA SECONDARIA SECONDARY FORK SHAFT	GABEL SEKUNARACHSE AXE	123 45 6 789ABC DEF	

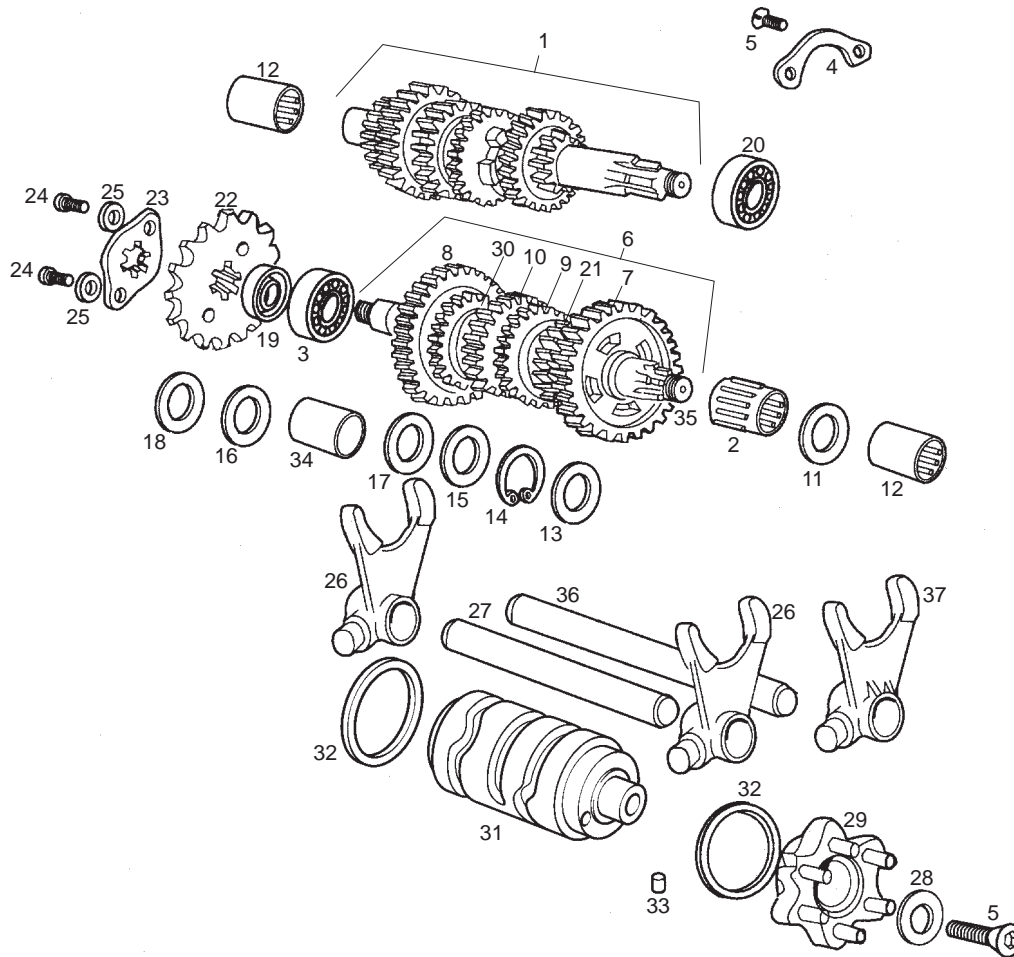


Fig.	Ver.	COD. KOD.	DESCRIPCIÓN DENOMINAZIONE NAME	BEZEICHNUNG DESIGNATION	MOD.	NOTAS NOTES NOTA MITSCHRIFT NOTES
28A		847214	ARANDELA PIÑ.CONTR/MAND.TAMBOR RONDELLA WASHER	SCHEIBE RONDELLE	123456 789ABC DEF	
29A		847038	CABEZA MANDO TAMBOR. TESTA COMANDO TAMBORO DRUM HEAD	ESTUEKOPF TETE TAMBOUR SELECTEUR	123456 789ABC DEF	
30A		847158	PIÑÓN SECUNDARIO VI Z-22 PIGNONE GEAR	RITZEL PIGNON	123456 789ABC DEF	
31A		847081	TAMBOR DISTRIBUIDOR TAMBORO DISTRIBUTORE SHIFT DRUM	VERTEILERTROMMEL BARILLET	123456 789ABC DEF	
32A		847036	ARANDELA TAMBOR DISTRIBUIDOR RONDELLA WASHER	SCHEIBE RONDELLE	123456 789ABC DEF	
33A		847213	RODILLO.4X6. RULLO ROLLER	WALZE FUR SCHA LTUNG GALETS	123456 789ABC DEF	
34A		847547	CASQUILLO PIÑÓN SECUND.II. GHIERA PIGNONE SECONDARIO .II. BUSHING	FUHRUNGSBUCHSE GABELSCHENK ENTRETOISE	123456 789ABC DEF	
35A		847159	SCTO EJE SECUNDARIO 6V. ASSE SECONDARIO OUTPUT SHAFT	SEKUNDARACHSE AXE SECONDAIRE MONTE COMPLE	123456 789ABC DEF	
36A		847029	EJE HORQUILLA PRIMARIA. ASSE FORCELLA PRIMARIA PRIMARY FORK SHAFT	GABEL PRIMARACHSE AXE	123456 789ABC DEF	
37A		847031	HORQUILLA PRIMARIA V-VI. FORCELLA PRIMARIA FORK OUTPUT	SHALTGABEL FOURCHETTE	123456 789ABC DEF	

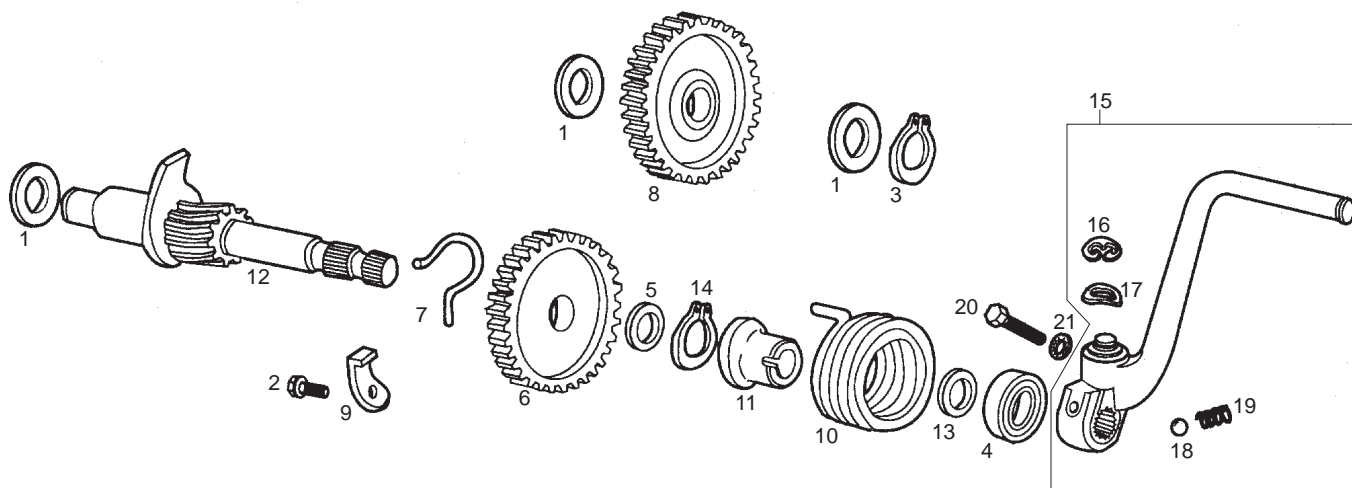


Fig.	Ver.	COD. KOD.	DESCRIPCIÓN DENOMINAZIONE NAME	BEZEICHNUNG DESIGNATION	MOD.	NOTAS NOTES NOTA MITSCHRIFT NOTES
01A	01	847228	ARANDELA RONDELLA WASHER	SCHEIBE RONDELLE	123 456 789ABC DEF	
01A		00002028770	ARANDELA RONDELLA WASHER	SCHEIBE RONDELLE	123 456 789ABC DEF	
02A		CM149802	TORNILLO FIJ.TOPE ARRANQUE VITE SCREW	SCHRAUBE VIS	123 456 789ABC DEF	
03A	01	847229	ANILLO SEGURIDAD D11 ANELLO SICUREZZA CIRCLIP	SEEGERRING CIRCLIP	123 456 789ABC DEF	
03A		00000047111	ANILLO SEGURIDAD D11 ANELLO SICUREZZA CIRCLIP	SEEGERRING CIRCLIP	123 456 789ABC DEF	
04A		847074	RETEN EJE ARRANQUE GIUNTO TENUTA SEAL	DICHTRING JOINT	123 456 789ABC DEF	
05A		847232	ARANDELA TOPE PIÑON ARRANQUE RONDELLA WASHER	SCHEIBE RONDELLE	123 456 789ABC DEF	
06A		847061	PIÑON ARRANQUE Z-29 PIGNONE AVVIAMENTO KICKSTARTER GEAR	ANLAUFRIITZEL ROUE DE MISE EN MARCHE	123 456 789ABC DEF	
07A		847060	MUELLE PIÑON ARR. MOLLA PIGNONE AVVIAMENTO SPRING, ENGAGEMENTE REAR	RITZELFEDER RESSORT DE ROUE DE MISE EN	123 456 789ABC DEF	
08A		847056	PIÑON INTERMEDIO ARRANQUE PIGNONE INTERMEDIO AVVIAMENTO DRIVING GEAR	ANLAUF-ZWISCHENRITZEL ROUE INTERMEDIAIRE	123 456 789ABC DEF	

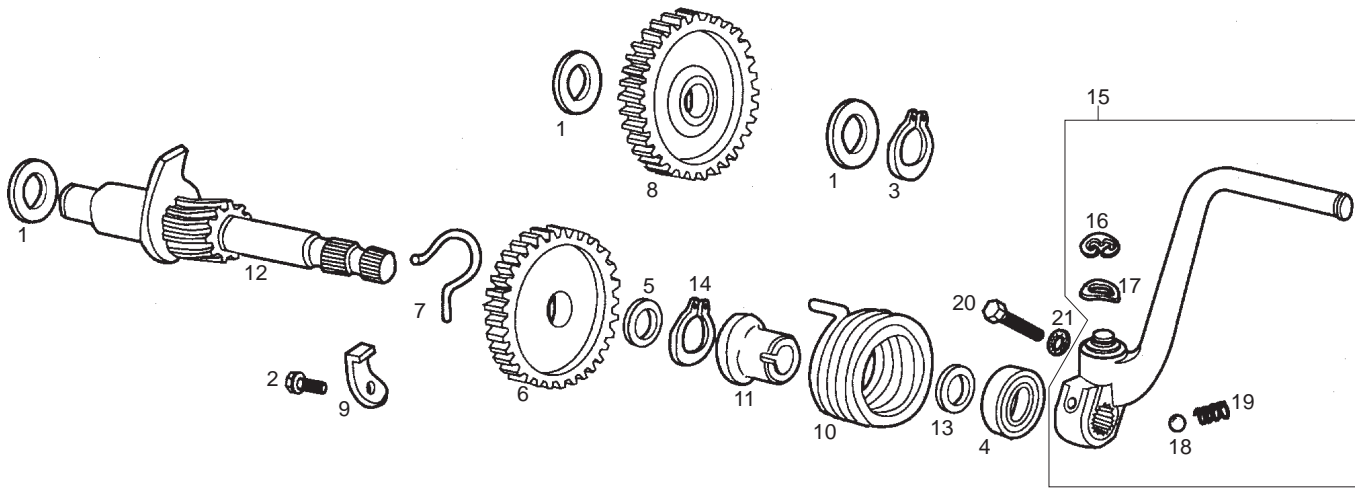


Fig.	Ver.	COD. KOD.	DESCRIPCIÓN DENOMINAZIONE NAME	BEZEICHNUNG DESIGNATION	MOD.	NOTAS NOTES MITSCHRIFT NOTES
09A		847062	REFUERZO TOPE ARRANQUE RINFORZO FERMO AVVIAMENTO KICKSTARTER LEVER STOP	VERSTARUNG F.ANSCHULAG BUTEE PEDALE DE KICK	12 3 4 5 6 7 8 9 ABC DEF	
10A		847057	MUELLE ARRANQUE, MOLLA AVVIAMENTO KICKSTARTER SPRING	ANLAUFFEDER RESSORT DE KICK	12 3 4 5 6 7 8 9 ABC DEF	
11A		847058	CAZOLETA.GUIA MUELLE ARRANQUE SCODELLINO GUIDA MOLLA AVVIAME SPRING GUIDE	FUHRUNGSPFANE RAMPE DE KICK	12 3 4 5 6 7 8 9 ABC DEF	
12A		847059	SCTO.EJE ARRANQUE, SUBASSE AVVIAMENTO KICKSTARTER SHAFT	ANLAUFACHSE ARBRE DE KICK	12 3 4 5 6 7 8 9 ABC DEF	
13A		847230	ARANDELA TOPE ARRANQUE RONDELLA WASHER	SCHEIBE RONDELLE	12 3 4 5 6 7 8 9 ABC DEF	
14A		847231	ANILLO SEGURIDAD D22 ANELLO SICUREZZA CIRCLIP	SEEGERRING CIRCLIP	12 3 4 5 6 7 8 9 ABC DEF	
15A		00H02902252	PALANCA ARRANQUE LEVA AVVIAMENTO KICKSTARTER LEVER	KICKSTARTER LEVIER DE KICK	12 3 4 5 6 7 8 9 ABC DEF	
16A		00047030900	ANILLO SEGURIDAD ANELLO SICUREZZA CIRCLIP	SICHERHEITSRING ANNEAU SECURITE AXE	12 3 4 5 6 7 8 9 ABC DEF	
17A		00000036100	ARANDELA MUELLE RONDELLA WASHER	SCHEIBE RONDELLE	12 3 4 5 6 7 8 9 ABC DEF	
18A		00000061040	BOLA.D.4,76. PALLA BALL	KUGEL BILLE DIAMETRE	12 3 4 5 6 7 8 9 ABC DEF	

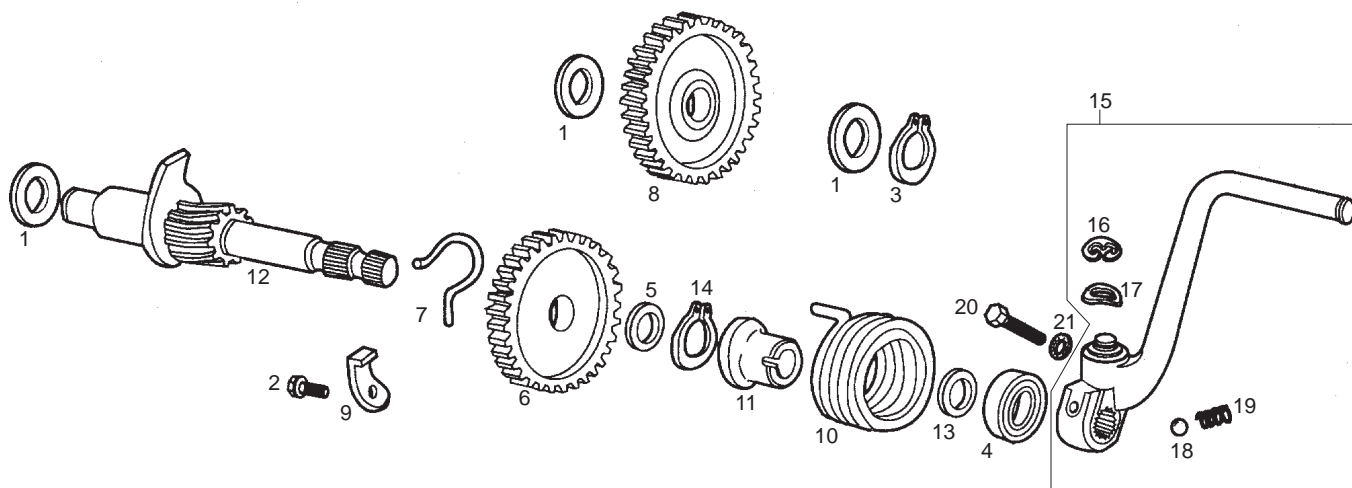


Fig.	Ver.	COD. KOD.	DESCRIPCIÓN DENOMINAZIONE NAME	BEZEICHNUNG DESIGNATION	MOD.	NOTAS NOTES NOTA MITSCHRIFT NOTES
19A		00003127200	MUELLE MOLLA GRILLETTO TORCIA SPRING, DETENT	FEDER RESSORT	123456 789ABC DEF	
20A		00004162500	TORNILLO C/ALLEN 6M100X25 VITE SCREW	SCHRAUBE VIS	123456 789ABC DEF	
21A		00037000600	ARANDELA CONICA SEG. D6 RONDELLA WASHER	SCHEIBE RONDELLE	123456 789ABC DEF	

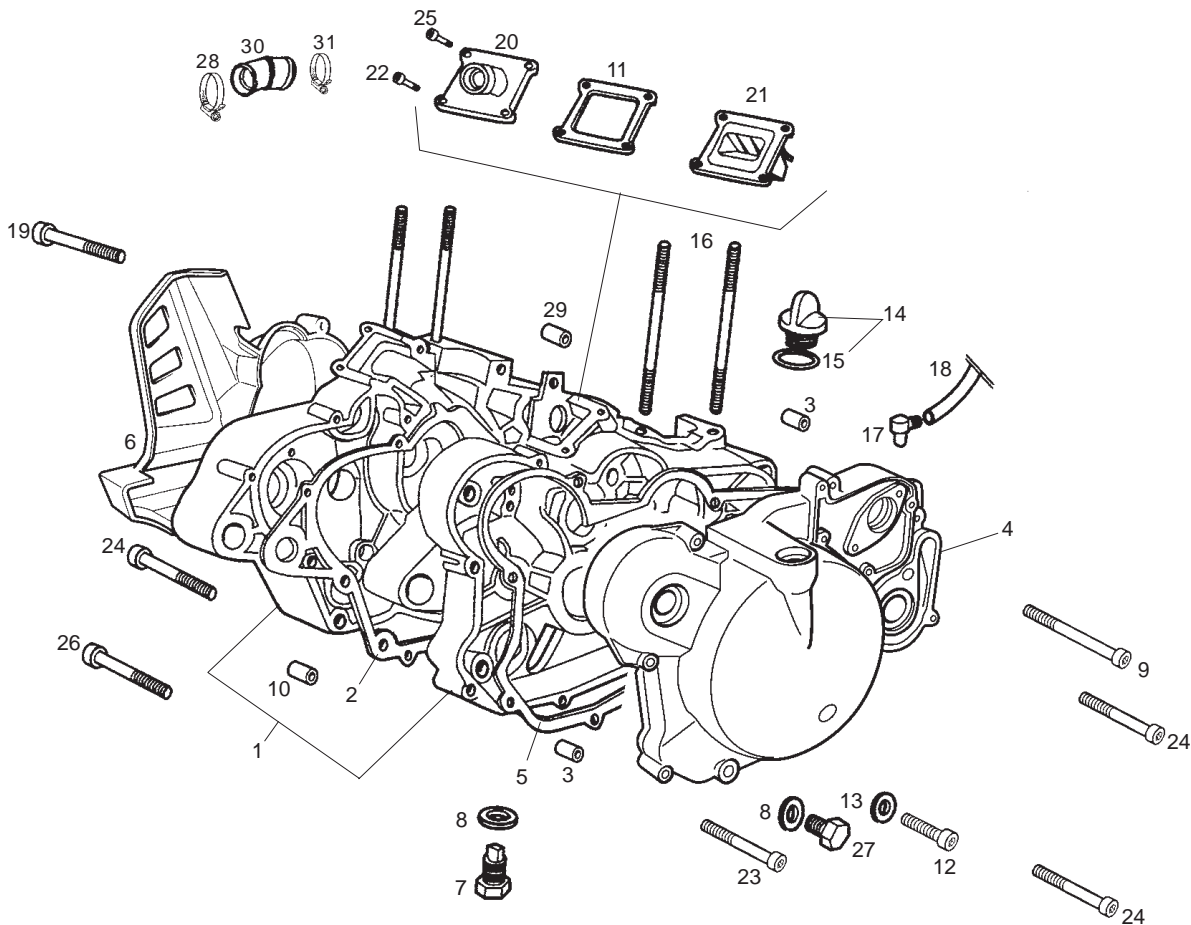


Fig.	Ver.	COD. KOD.	DESCRIPCIÓN DENOMINAZIONE NAME	BEZEICHNUNG DESIGNATION	MOD.	NOTAS NOTES NOTA MITSCHRIFT NOTES
01A		CM1503015	CTO. CARTERS CARTERS CRANKCASE ASSEMBLY	MOTORGEHAUSE ENSEMBLE DES CARTERS MOTEUR	123456 789ABC DEF	
02A		847022	JUNTA CARTERS GUARNIZIONE CARTERS GASKET, CHANKCASE	GEHAUSEDICHTUNG JOINT DE CARTERS CENTRAUX	123456 789ABC DEF	
03A		847241	PASADOR UNION CARTER. CHIAVISTELLO SOSTEGNO SPIRALE FORK PIN	STIFT GOUDILLE	123456 789ABC DEF	
04A		CM150703	TAPA CARTER DERECHA SUBC.COP.CARTER DES. CRANKCASE COVER	KUPPLINGSDECKEL CARTER DIEMBRYAGE	123456 789ABC DEF	
05A		847084	JUNTA TAPA CARTER DERECHA GUARNIZIONE COPERCHIO CARTER D GASKET RIGHT-HAND COVER	DICHTUNG JOINT DE CARTER EMBRAYAGE	123456 789ABC DEF	
06A		00H03007241	TAPA CARTER IZQUIERDA COPERCHIO CARTER SINISTRO CRANKCASE COVER LEFT	GEHD US ED EDKELLINKS COUVERCLE CARTER GAUCHE	123456 789ABC DEF	
07A		847237	CTO.TORNILLO VACIADO.ACEITE VITE SCREW	SCHRAUBE VIS	123456 789ABC DEF	
08A		847238	ARANDELA VACIADO ACEITE RONDELLA WASHER	SCHEIBE RONDELLE	123456 789ABC DEF	
09A		CM149801	TORNILLO C/ALLEN.6M100X55 VITE SCREW	SCHRAUBE VIS	123456 789ABC DEF	
10A		847023	SEPARADOR CARTER GHIERA PIN	BUCHSE DOUILLE	123456 789ABC DEF	
11A		847091	JUNTA SOPTE.VALVULA ADMISION GUARNIZIONE SOSTEGNO VALVOLA A INLET VALVE GASKET	DICHTUNG VENTILHALTER JOINT BTE.CLAPETS	123456 789ABC DEF	

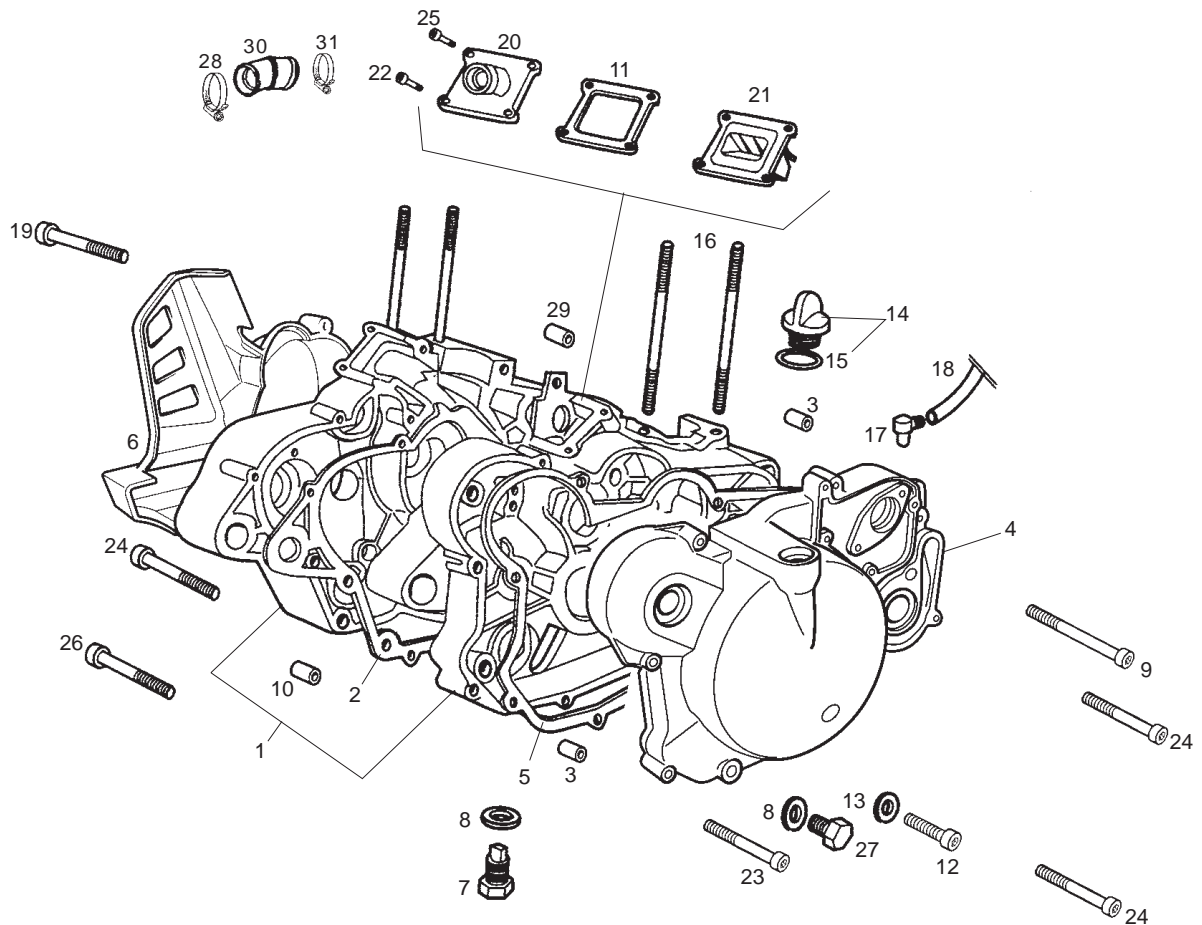


Fig.	Ver.	COD. KOD.	DESCRIPCIÓN DENOMINAZIONE NAME	BEZEICHNUNG DESIGNATION	MOD.	NOTAS NOTES NOTA MITSCHRIFT NOTES
12A	01	847240	TORNILLO C/ALLEN.6M100X10 VITE SCREW	SCHRAUBE VIS	123 45 6 789 ABC DEF	
12A		00002061011	TORNILLO C/ALLEN.6M100X10 VITE SCREW	SCHRAUBE VIS	123 45 6 789 ABC DEF	
13A	01	847239	ARANDELA NIVEL ACEITE.D6 RONDELLA WASHER	SCHEIBE RONDELLE	123 45 6 789 ABC DEF	
13A		00003102280	ARANDELA NIVEL ACEITE.D6 RONDELLA WASHER	SCHEIBE RONDELLE	123 45 6 789 ABC DEF	
14A		847087	TORNILLO LLENADO ACEITE VITE SCREW	SCHRAUBE VIS	123 45 6 789 ABC DEF	
15A	01	847180	ANILLO TORICO TAPON NIV.ACTE. ANELLO TORICO SEAL	O-RING JOINT DE JAUGE D,HUILE	123 45 6 789 ABC DEF	
15A		00001130370	ANILLO TORICO TAPON NIV.ACTE. ANELLO TORICO SEAL	O-RING JOINT DE JAUGE D,HUILE	123 45 6 789 ABC DEF	
16A		847015	ESPARRAGO CILINDRO MOTOR BULLONE FISSAGGIO CILINDRO STUD CYLINDER	STEBBOLZEN GOUJON DE FIXE CYLINDRE	123 45 6 789 ABC DEF	
17A		847024	RACORD SALIDA GASES RACCORDI USCITA GAS CARTER . CRANKCASE VENT RACCORD	AUSGANGSSTUTZEN RACCORD DE SORTIE GAZ CARTE	123 45 6 789 ABC DEF	
18A		00H03700461	TUBO RESPIRACION TUBO RESPIRAZIONE SERBATOIO VENT PIPE OIL TANK	ENTLUEFTUNGSSCHLAUCH TUYAU RESPIRATION RESERVOIR	123 45 6 789 ABC DEF	
19A		00G03900821	TORNILLO FIJACION 6X30 VITE SCREW	SCHRAUBE VIS	123 45 6 789 ABC DEF	

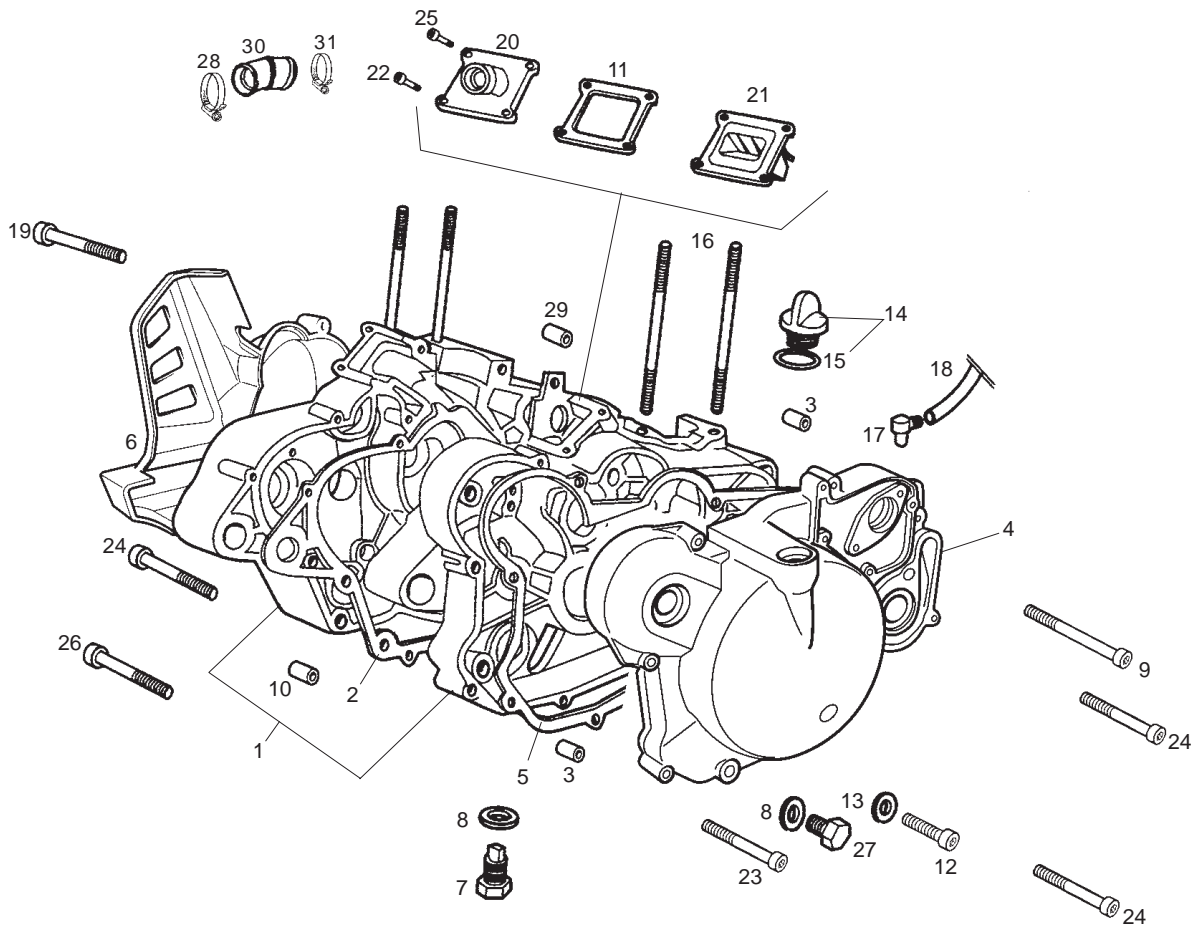


Fig.	Ver.	COD. KOD.	DESCRIPCIÓN DENOMINAZIONE NAME	BEZEICHNUNG DESIGNATION	MOD.	NOTAS NOTES NOTA MITSCHRIFT NOTES
20A		847093	BOQUILLA CARBURANTE ATTACCO CARBURATORE INTAKE MANIFOLD,	ANSAUGSTUTZEN ENSEMB.PIPE DIADMISSION	123456 789ABC DEF	
21A	01	847092	CTO.CAJA LAMINAS ADMISION CASSA LAMINA AMMISSI INLET BOX	MEMBRANE BOITE A CLAPETS	123456 789ABC DEF	
21A		00H02510641	CTO.CAJA LAMINAS ADMISION CASSA LAMINA AMMISSI INLET BOX	MEMBRANE BOITE A CLAPETS	123456 789ABC DEF	
22A		CM149804	TORNILLO C/ALLEN.6M100X25. VITE SCREW	SCHRAUBE VIS	123456 789ABC DEF	
23A	01	CM149806	TORNILLO C/ALLEN.6M100X35 VITE SCREW	SCHRAUBE VIS	123456 789ABC DEF	
23A		00G03001091	TORNILLO C/ALLEN.6M100X35 VITE SCREW	SCHRAUBE VIS	123456 789ABC DEF	
24A	01	CM149808	TORNILLO C/ALLEN.6M100X40 VITE SCREW	SCHRAUBE VIS	123456 789ABC DEF	
24A		00G03002091	TORNILLO C/ALLEN.6M100X40 VITE SCREW	SCHRAUBE VIS	123456 789ABC DEF	
25A		828152	TORNILLO VITE SCREW	SCHRAUBE VIS	123456 789ABC DEF	
26A	01	CM149809	TORNILLO FIJACION CARTERS.6X50 VITE SCREW	SCHRAUBE VIS	123456 789ABC DEF	
26A		00H03000091	TORNILLO FIJACION CARTERS.6X50 VITE SCREW	SCHRAUBE VIS	123456 789ABC DEF	

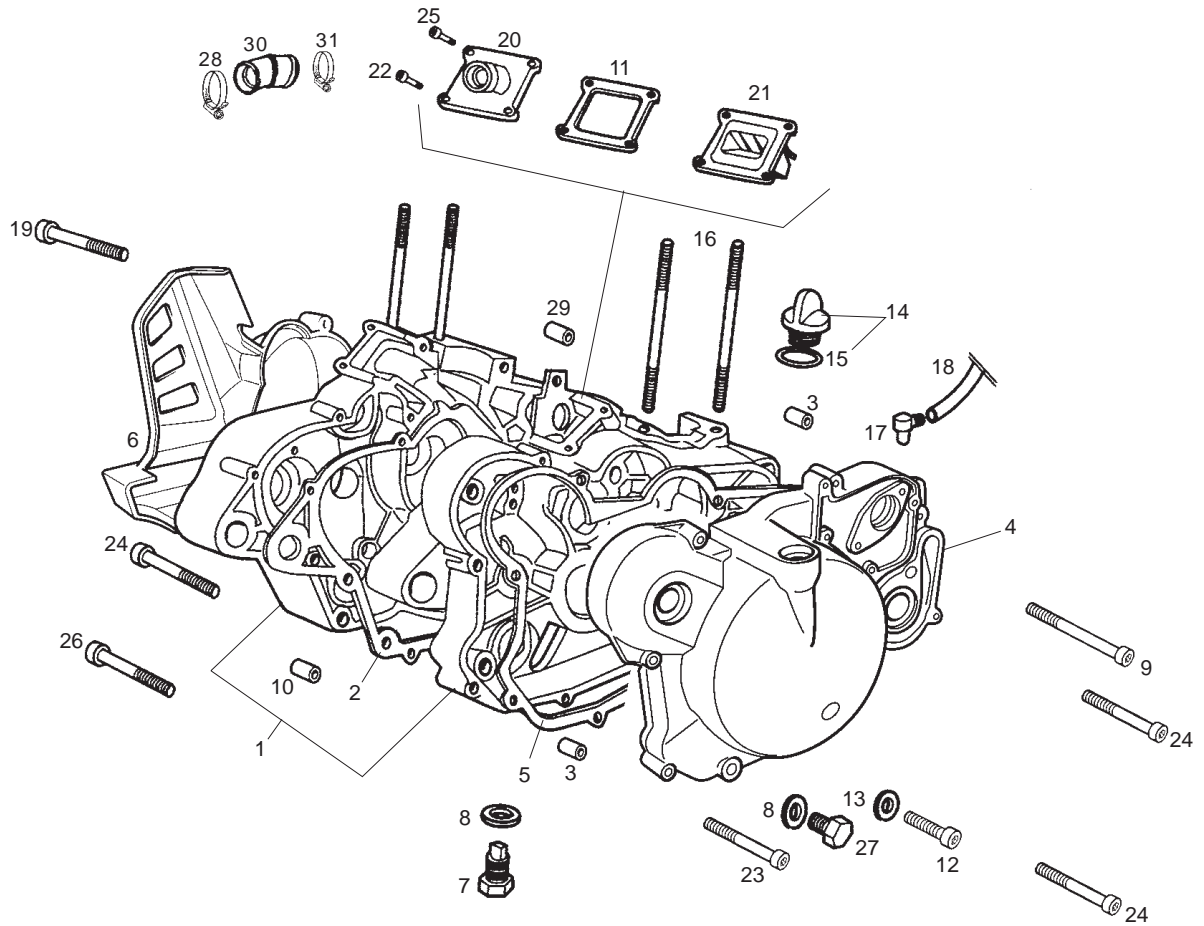


Fig.	Ver.	COD. KOD.	DESCRIPCIÓN DENOMINAZIONE NAME	BEZEICHNUNG DESIGNATION	MOD.	NOTAS NOTES NOTA MITSCHRIFT NOTES
27A		847174	TORNILLO VACIADO ACEITE. VITE SCREW	SCHRAUBE VIS	123456 789ABC DEF	
28A		00H02501491	ABRAZADERA FASCETTA CLAMP	ZÜGEL BRIDE	123456 789ABC DEF	
29A		847023	SEPARADOR CARTER GHIERA PIN	BUCHSE DOUILLE	123456 789ABC DEF	
30A		871319	RACORD ADMISION BRONZINA BUSHING	BUCHSE ENTRETOISE	123456 789ABC DEF	
31A		847096	ABRAZADERA FASCETTA CLAMP	ZÜGEL BRIDE	123456 789ABC DEF	

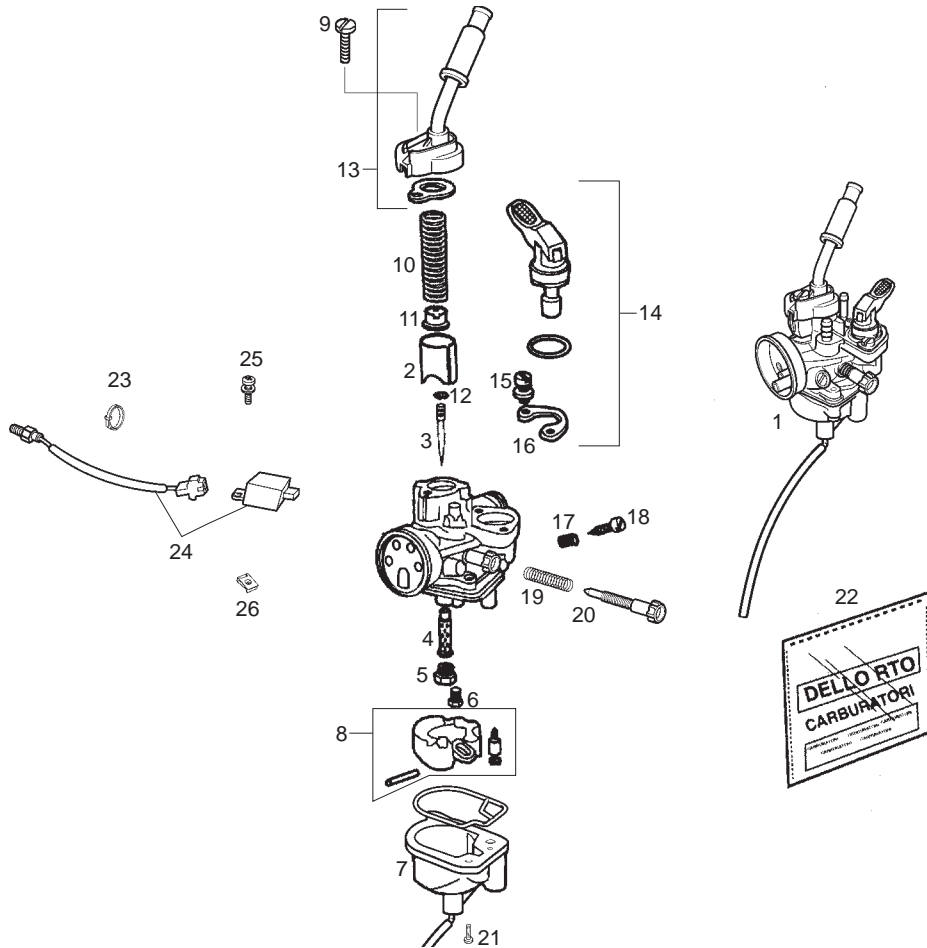


Fig.	Ver.	COD. KOD.	DESCRIPCIÓN DENOMINAZIONE NAME	BEZEICHUNG DESIGNATION	MOD.	NOTAS NOTES NOTA MITSCHRIFT NOTES
01A		CM152702	CARBURADOR SENDA CARBURATORE CARBURETOR	VERGASER KOMPL ENSEMBLE CARBURATEUR	12 45 78 AB DE	
01B		CM149905	CARBURADOR SENDA SCANDINAVIA CARBURATORE CARBURETOR	VERGASER KOMPL ENSEMBLE CARBURATEUR	3 6 9 C F	UNTIL FRAME 9H433717
02A	01	00H03207211	R-COMPUERTA GAS R-VALVOLA GAS SLIDE	GASSCHIEBER BOISSEAU	12 45 78 AB DE	
02A		CM141710	R-COMPUERTA GAS R-VALVOLA GAS SLIDE	GASSCHIEBER BOISSEAU	12 45 78 AB DE	
02B		00F03201211	COMPUERTA GAS R-VALVOLA GAS SLIDE	GASSCHIEBER BOISSEAU	3 6 9 C F	UNTIL FRAME 9H433717
03A	01	00H03214431	R-AGUJA PULVERIZADORA SPILLO CONICO NEEDLE	DUESENNADELUSE AIGUILLE PULVERIZ.	12 3 4 5 6 7 8 9 ABC DEF	
03A		CM107514	R-AGUJA PULVERIZADORA SPILLO CONICO NEEDLE	DUESENNADELUSE AIGUILLE PULVERIZ.	12 3 4 5 6 7 8 9 ABC DEF	
04A		00H03206421	R-PULVERIZADOR «208HA» POLVERIZZATORE NEEDLE JET	ZERSTAUBERDUSE PULVERISATEUR	12 45 78 AB DE	
04B		00H03204421	PULVERIZADOR «208GA» POLVERIZZATORE NEEDLE JET	ZERSTAUBERDUSE PULVERISATEUR	3 6 9 C F	UNTIL FRAME 9H433717
05A		00H03208031	R-SURTIDOR MAXIMO 70 R-GETTO MASSIMO MAIN JET	HAUPT DUSE GICLEUR PRINCIPAL	12 45 78 AB DE	
05B		00H03215031	SURTIDOR MAXIMO 63 R-GETTO MASSIMO MAIN JET	HAUPT DUSE GICLEUR PRINCIPAL	3 6 9 C F	UNTIL FRAME 9H433717

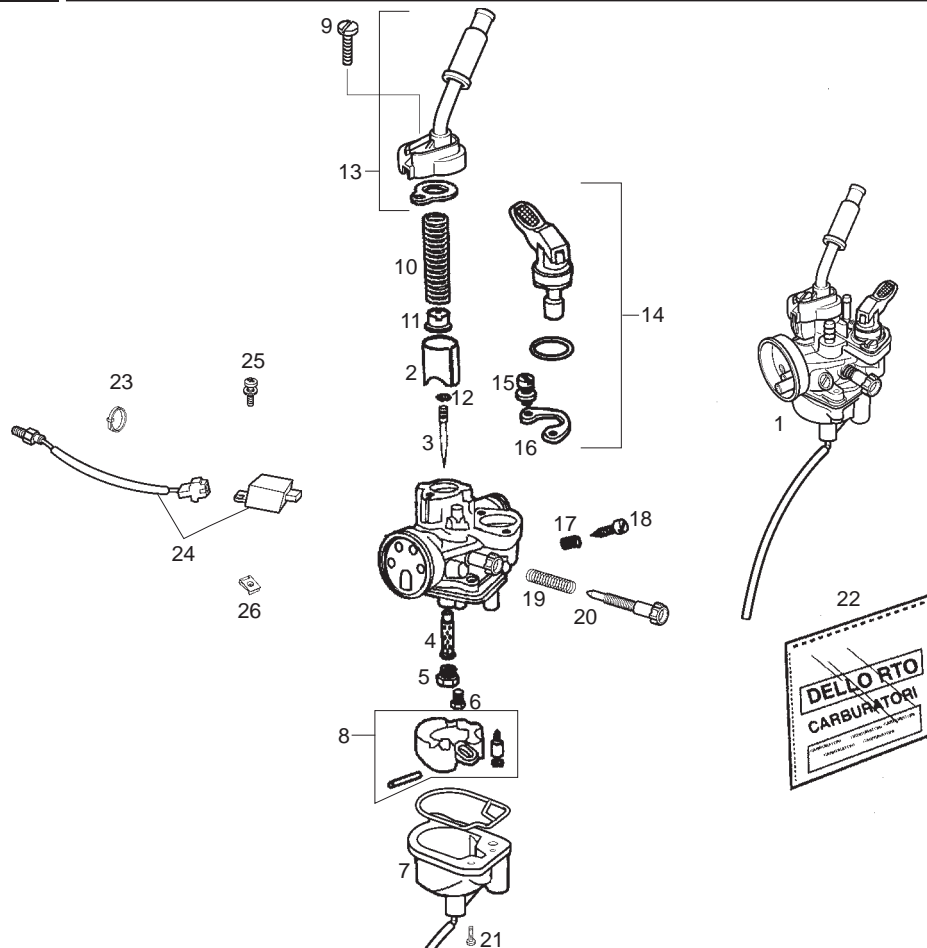


Fig.	Ver.	COD. KOD.	DESCRIPCIÓN DENOMINAZIONE NAME	BEZEICHUNG DESIGNATION	MOD.	NOTAS NOTES NOTA MITSCHRIFT NOTES
06A		00H04101181	R-SURTIDOR MINIMO 32 R-GETTO MINIMO JET MIN	DUESE MIN. R-GICLEUR MINIMUM.	12 45 78 AB DE	
06B		00H04106181	SURTIDOR MINIMO 33 R-GETTO MINIMO JET MIN	DUESE MIN. R-GICLEUR MINIMUM.	3 6 9 C F	UNTIL FRAME 9H433717
07A		484704	VASO GASOLINA VASCHETTA BENZINA FLOAT BOWL SEET	SCHWIMMERKAMMER CUVE INFERIEURE CARBUR.	12 45 78 AB DE	
07B		00H03201201	VASO GASOLINA VASCHETTA BENZINA FLOAT BOWL SEET	SCHWIMMERKAMMER CUVE INFERIEURE CARBUR.	3 6 9 C F	UNTIL FRAME 9H433717
08A		00H03204281	R-KIT FLOTADOR R-GALLEGGIANTE FLOAT	SCHWIMMER R-FLOTTEUR.	12 45 78 AB DE	
08B		00H03202281	KIT FLOTADOR R-GALLEGGIANTE FLOAT	SCHWIMMER R-FLOTTEUR.	3 6 9 C F	UNTIL FRAME 9H433717
09A		00G03200061	TORNILLO FIJACION TAPA R-VITE FISSAGIO COPERCHIO CAM. MIXING XAMBER COVER SEGURING	BEF.-SCHRAUBE DECKEL MISCH R-BOUL.SER.COUV.CHAMBRE MEL	12 3 4 5 6 7 8 9 ABC DEF	
10A		00G03201071	MUELLE VALVULA GAS R-MOLLA VALVOLA GAS THROOTLE VALVE RETURN	FEDER FUR GASVENTIL R-RESSORT VALVE ESS.	12 3 4 5 6 7 8 9 ABC DEF	
11A		00G03200511	CASQUILLO AGUJA PULVERIZADOR GHIERA SPILLO CONICO NEEDLE BUSHING	BUCHSE DUESENNADEL R-DOUILLE AIGUI.PULVERZ.	12 3 4 5 6 7 8 9 ABC DEF	
12A		00G03201371	PINZA AGUJA PULVERIZADOR MORSA SPILLO CONICO NEEDLE CIRCLIP	KLAMMER DUESENNADEL R-PINCE AIGUI.PULVERZ.	12 3 4 5 6 7 8 9 ABC DEF	
13A		00H03204231	TAPA CAMARA MEZCLA R-COPERCHIO CAMARA MISCELA SE COVER CARBURETOR TOP	MISCHRAUMDECKEL COUVERCLE CARBURATEUR	12 3 4 5 6 7 8 9 ABC DEF	

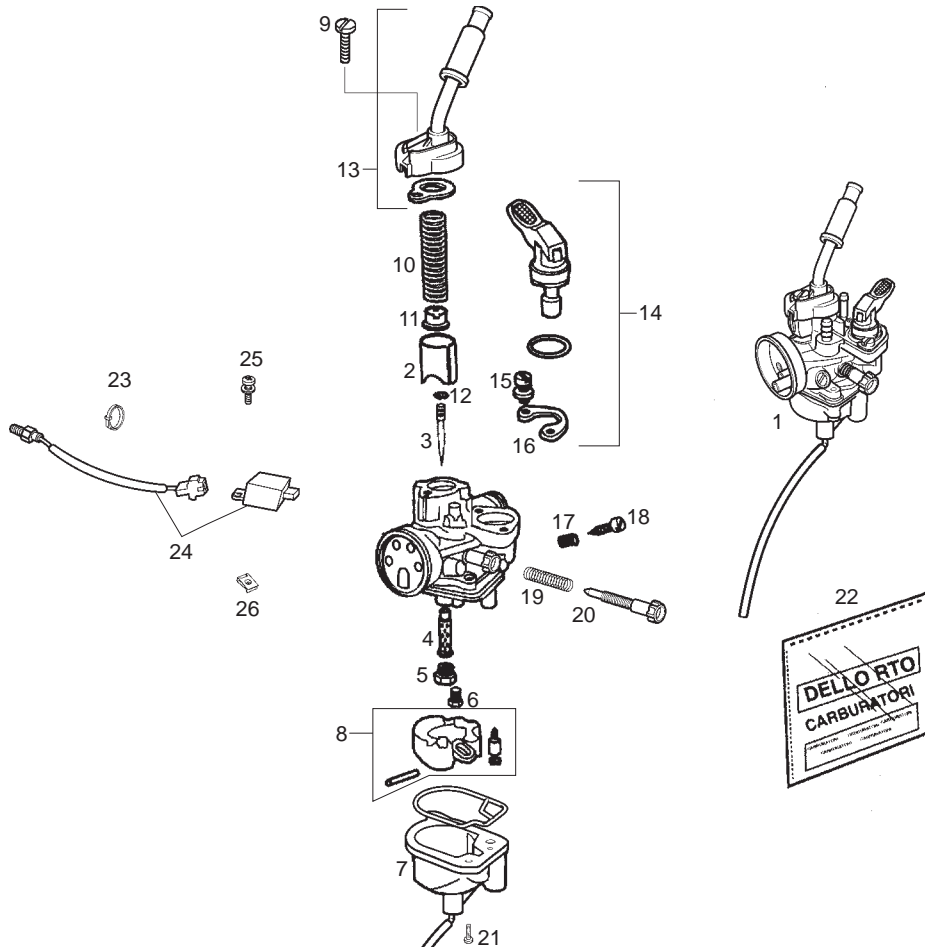


Fig.	Ver.	COD. KOD.	DESCRIPCIÓN DENOMINAZIONE NAME	BEZEICHNUNG DESIGNATION	MOD.	NOTAS NOTES NOTA MITSCHRIFT NOTES
14A		00H03203711	R-CTO STARTER R-STARTER CHOCKE LOCK	STARTERVENTIL VANNE DU STARTER MANUEL	123456 789ABC DEF	
15A		00G03200541	R-TORNILLO FIJACION STARTER R-VITE FISSAGIO STARTER AV. AUTOMA.CHOCKE SEGURING SCREE	BEF.-SCHRAUBEAUTOM STARTER R-BOULON SER.START	123456 789ABC DEF	
16A		00G03200551	R-PRECINTO FIJACION STARTER PIASTRINA FIS. STARTER AUTOMA.CHOCKE SEGURING SCREE	HALTERUNG AUTOM. STARTER R-PLOMBAGE FIX.START	123456 789ABC DEF	
17A		00G03200721	R-MUELLE REGULACION AIRE MINIMO MOLLA REG. ARIA IDLE ADJUSTER	FEDER LUFTREGLER MIN. R-RESSORT REG.AIR MIN.	123456 789ABC DEF	
18A		00G03200731	R-TORNILLO REGULACION AIRE MIN. R-VIS REG.AIR.MIN. IDLE ADJUSTER SCREW	LUFT-REGULIERSCHRAUBE MIN. R-VIS REG.AIR MIN.	123456 789ABC DEF	
19A		00G03200101	R-MUELLE REGULACION VALVULA GAS MOLLA REG. VALVOLA GAS THROOTLE VALVE ADJUSTE SPRING	FEDER GAS-VENTIL-REGELUNG R-RES.REG.VALVE ESS.	123456 789ABC DEF	
20A	01	00G04102131	R-TORNILLO REG. VALVULA GAS R-BOUTON VITE REG. VALVOLA THROOTLE VALVE ADJUSTER SCREW	SCHRAUBE GAS-VENTIL-REGELU R-VIS REG.VALV.ESS.	123456 789ABC DEF	
20A		828074	R-TORNILLO REG. VALVULA GAS R-BOUTON VITE REG. VALVOLA THROOTLE VALVE ADJUSTER SCREW	SCHRAUBE GAS-VENTIL-REGELU R-VIS REG.VALV.ESS.	123456 789ABC DEF	
21A		00G03201091	R-TORNILLO FIJACION VASO GASOLINA R-VITE FISSAGIO VASCHETTA FLOAT CHAMBER SEGURING SCREW	BEF.-SCHRAUBE R-BOUL.SERG.VASE ESSENC.	123456 789ABC DEF	
22A		00H04103771	R-JUEGO JUNTAS CARBURADOR R-GUARNIZIONE CARBU. CARBURETOR GASKET	DICHTUNGSATZ KOMPL. VERGAS R-ENS. JOINTS CARBUR.	123456 789ABC DEF	
23A		00A00900531	BRIDA FLANGIA UNIONE CAVI CLAMP	KLAMMER COLLIER	3 6 9 C F	

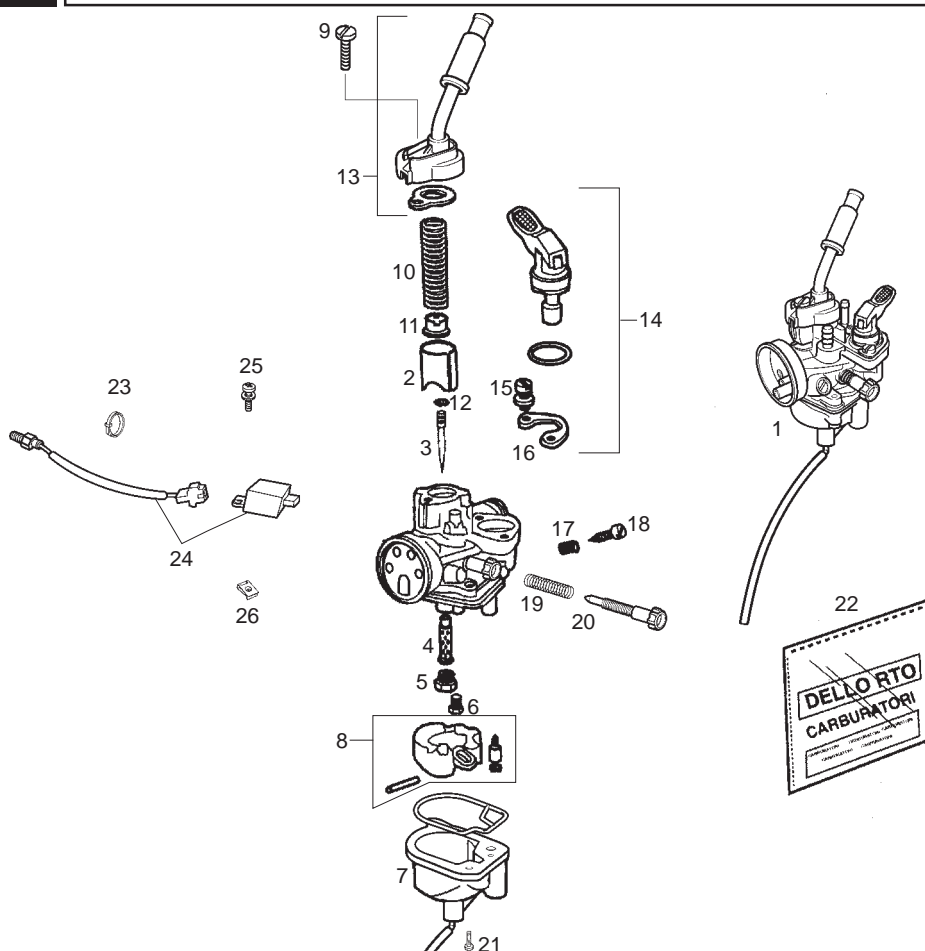


Fig.	Ver.	COD. KOD.	DESCRIPCIÓN DENOMINAZIONE NAME	BEZEICHUNG DESIGNATION	MOD.	NOTAS NOTES NOTA MITSCHRIFT NOTES
24A		00H06001151	CTO KIT CALENTADOR CARBURADOR KIT RISCALDAMENTO KIT CARBURETTOR HEATER	KABELBAUN FUR HEIZUNG VERG KIT QUI CHAUFFE CARBURATEUR	3 6 9 C F	
25A		00F05900041	SCTO TORNILLO 6M100X16 VITE SCREW	SCHRAUBE VIS	3 6 9 C F	
26A		00D01501371	TUERCA FIJACION D6 DADO NUT	MUTTER ECROU	3 6 9 C F	

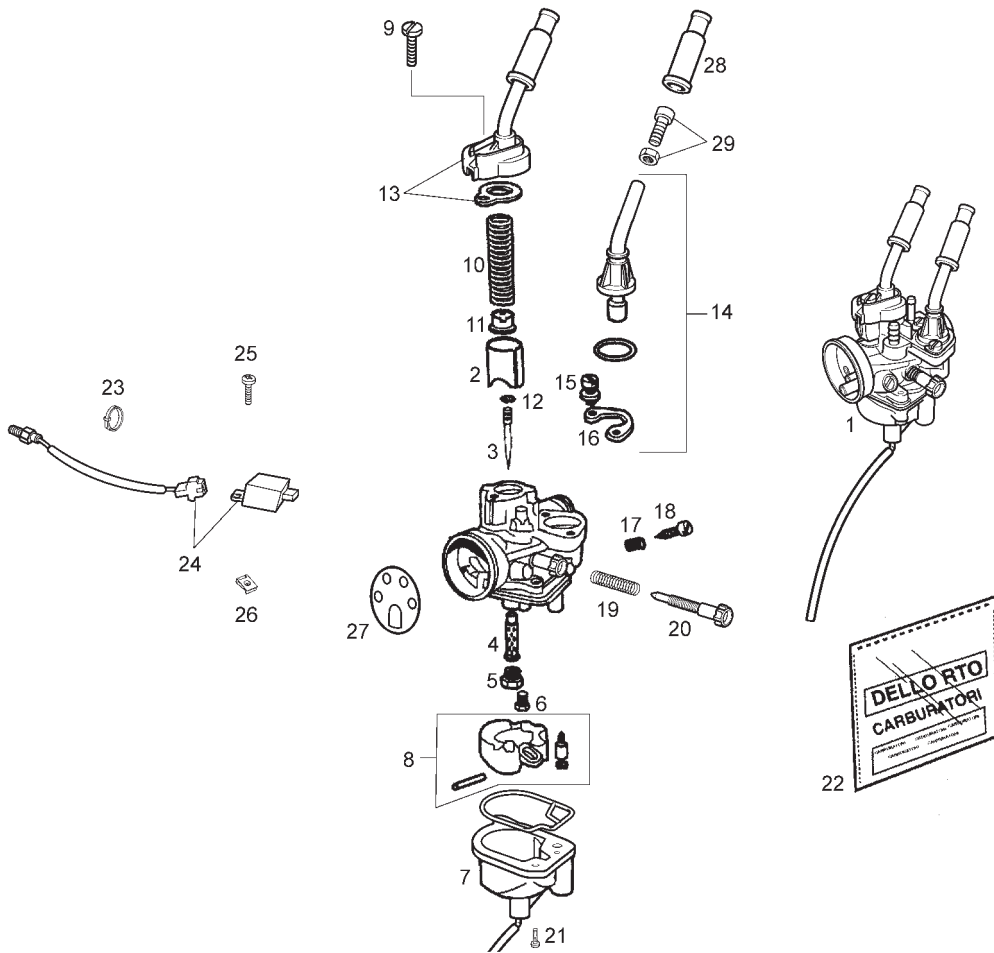


Fig.	Ver.	COD. KOD.	DESCRIPCIÓN DENOMINAZIONE NAME	BEZEICHNUNG DESIGNATION	MOD.	NOTAS NOTES NOTA MITSCHRIFT NOTES
01A		CM149906	CTO CARBURADOR CARBURATORE CARBURETOR	VERGASER KOMPL ENSEMBLE CARBURATEUR	3 6 9 C F	SINCE FRAME 9H433718
02A		00F03201211	COMPUERTA GAS VALVOLA GAS SLIDE	GASSCHIEBER BOISSEAU	3 6 9 C F	SINCE FRAME 9H433718
03A		00H03214431	SPILLO CONICO SPILLO SPRUZZATORE NEEDLE	DUESENNADELUSE AIGUILLE PULVERIZ.	3 6 9 C F	SINCE FRAME 9H433718
04A		00H03204421	PULVERIZADOR «208GA» POLVERIZZATORE NEEDLE JET	ZERSTAUBERDUSE PULVERISATEUR	3 6 9 C F	SINCE FRAME 9H433718
05A		00H03215031	SURTIDOR MAXIMO 63 GETTO MASSIMO MAIN JET	HAUPT DUSE GICLEUR PRINCIPAL	3 6 9 C F	SINCE FRAME 9H433718
06A		00H04106181	SURTIDOR MINIMO 33 GETTO MINIMO JET MIN	DUESE MIN. GICLEUR MINIMUM.	3 6 9 C F	SINCE FRAME 9H433718
07A		00H03201201	VASO GASOLINA VASCETTA BENZZINA FLOAT BOWL SEET	SCHWIMMERKAMMER CUVE INFERIEURE CARBUR.	3 6 9 C F	SINCE FRAME 9H433718
08A		00H03202281	KIT FLOTADOR GALLEGGIANTE FLOAT	SCHWIMMER FLOTTEUR.	3 6 9 C F	SINCE FRAME 9H433718
09A		00G03200061	TORNILLO FIJACION TAPA VITE FISSAGIO COPERCHIO CAM. MIXING XAMBER COVER SEGURING	BEF.-SCHRAUBE DECKEL MISCH BOUL.SER.COUV.CHAMBRE MEL	3 6 9 C F	SINCE FRAME 9H433718
10A		00G03201071	MUELLE VALVULA GAS MOLLA VALVOLA GAS THROOTLE VALVE RETURN	FEDER FUR GASVENTIL RESSORT VALVE ESS.	3 6 9 C F	SINCE FRAME 9H433718
11A		00G03200511	CASQUILLO AGUJA PULVERIZADORA GHIERA SPILLO CONICO NEEDLE BUSHING	BUCHSE DUESENNADEL DOUILLE AIGUI.PULVERZ.	3 6 9 C F	SINCE FRAME 9H433718

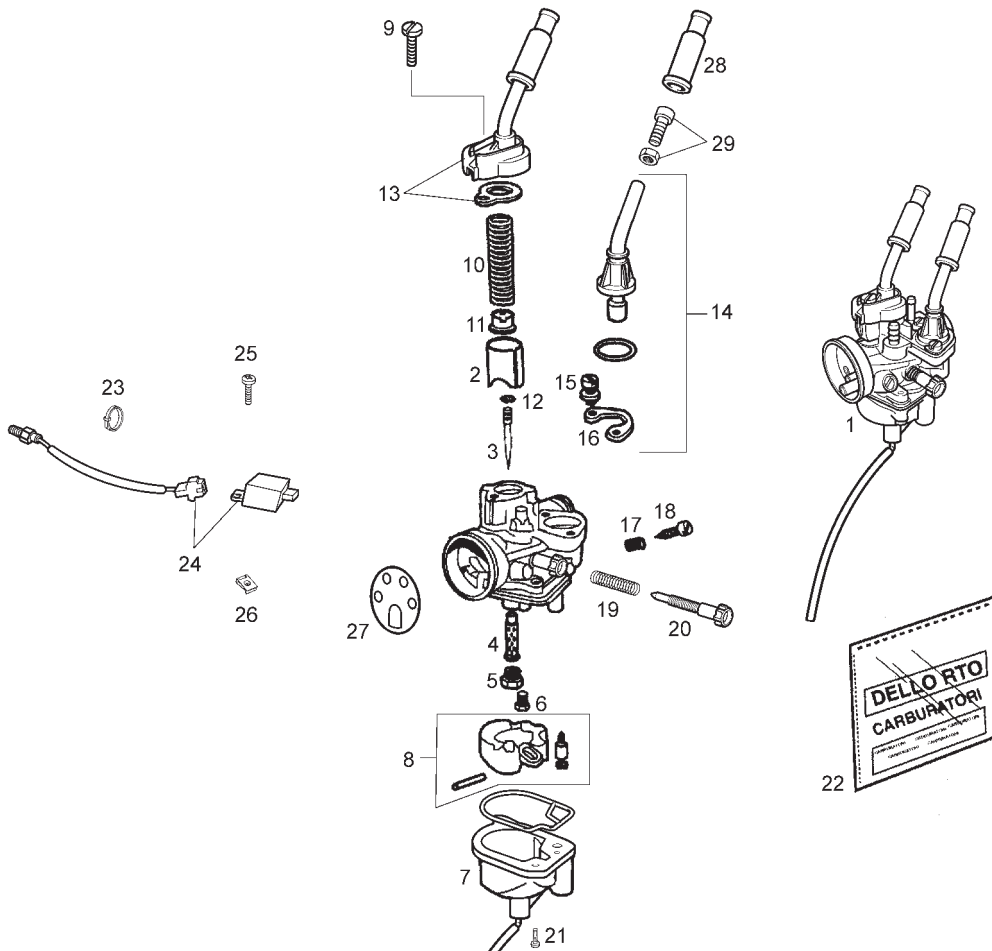


Fig.	Ver.	COD. KOD.	DESCRIPCIÓN DENOMINAZIONE NAME	BEZEICHNUNG DESIGNATION	MOD.	NOTAS NOTES NOTA MITSCHRIFT NOTES
12A		00G03201371	PINZA AGUJA PULVERIZADORA MORSA SPILLO CONICO NEEDLE CIRCLIP	KLAMMER DUESENNADEL PINCE AIGUI.PULVERZ.	3 6 9 C F	SINCE FRAME 9H433718
13A		00H03204231	TAPA CAMARA MEZCLA COPERCHIO CAMARA MISCELA SE COVER CARBURETOR TOP	MISCHRAUMDECKEL COUVERCLE CARBURATEUR	3 6 9 C F	SINCE FRAME 9H433718
14A		CM146204	KIT STARTER MANUAL STARTER CHOCKE LOCK	STARTERVENTIL VANNE DU STARTER MANUEL	3 6 9 C F	SINCE FRAME 9H433718
15A		00G03200541	TORNILLO FIJACION STARTER VITE FISSAGIO STARTER AV. AUTOMA.CHOCKE SEGURING SCREE	BEF.-SCHRAUBEAUTOM STARTER BOULON SER.START.AUTOM.	3 6 9 C F	SINCE FRAME 9H433718
16A		00G03200551	PRECINTO FIJACION STARTER PIASTRINA FISSAGGIO STARTER AUTOMA.CHOCKE SEGURING SCREE	HALTERUNG AUTOM. STARTER A PLOMBAGE FIX.START.AUT.	3 6 9 C F	SINCE FRAME 9H433718
17A		00G03200721	MUELLE REGULACION AIRE MINIMO MOLLA REGOLAZIONE ARIA IDLE ADJUSTER	FEDER LUFTREGLER MIN. RESSORT REG.AIR MIN.	3 6 9 C F	SINCE FRAME 9H433718
18A		00G03200731	TORNILLO REGULACION AIRE MINIMO VIS REG.AIR.MIN. IDLE ADJUSTER SCREW	LUFT-REGULIERSCHRAUBE MIN. VIS REG.AIR MIN.	3 6 9 C F	SINCE FRAME 9H433718
19A		00G03200101	MUELLE REGULACION VALVULA GAS RES.REG.VALVE ESS. THROOTLE VALVE ADJUSTE SPRING	FEDER GAS-VENTIL-REGELUNG RES.REG.VALVE ESS.	3 6 9 C F	SINCE FRAME 9H433718
20A		00G04102131	TORNILLO REGULACION VALVULA GAS BOUTON VITE REGOLAZIONE VALVOLA THROOTLE VALVE ADJUSTER SCREW	SCHRAUBE GAS-VENTIL-REGELU VIS REG.VALV.ESS.	3 6 9 C F	SINCE FRAME 9H433718
21A		00G03201091	TORNILLO FIJACION VASO GASOLINA VITE FISSAGIO VASCHETTA BE FLOAT CHAMBER SEGURING SCREW	BEF.-SCHRAUBE BOUL.SERG.VASE ESSENC.	3 6 9 C F	SINCE FRAME 9H433718
22A		00H04103771	JUEGO JUNTAS CARBURADOR GUARNIZIONE CARBU. CARBURETOR GASKET	DICHTUNGSATZ KOMPL. VERGAS ENS. JOINTS CARBUR.	3 6 9 C F	SINCE FRAME 9H433718

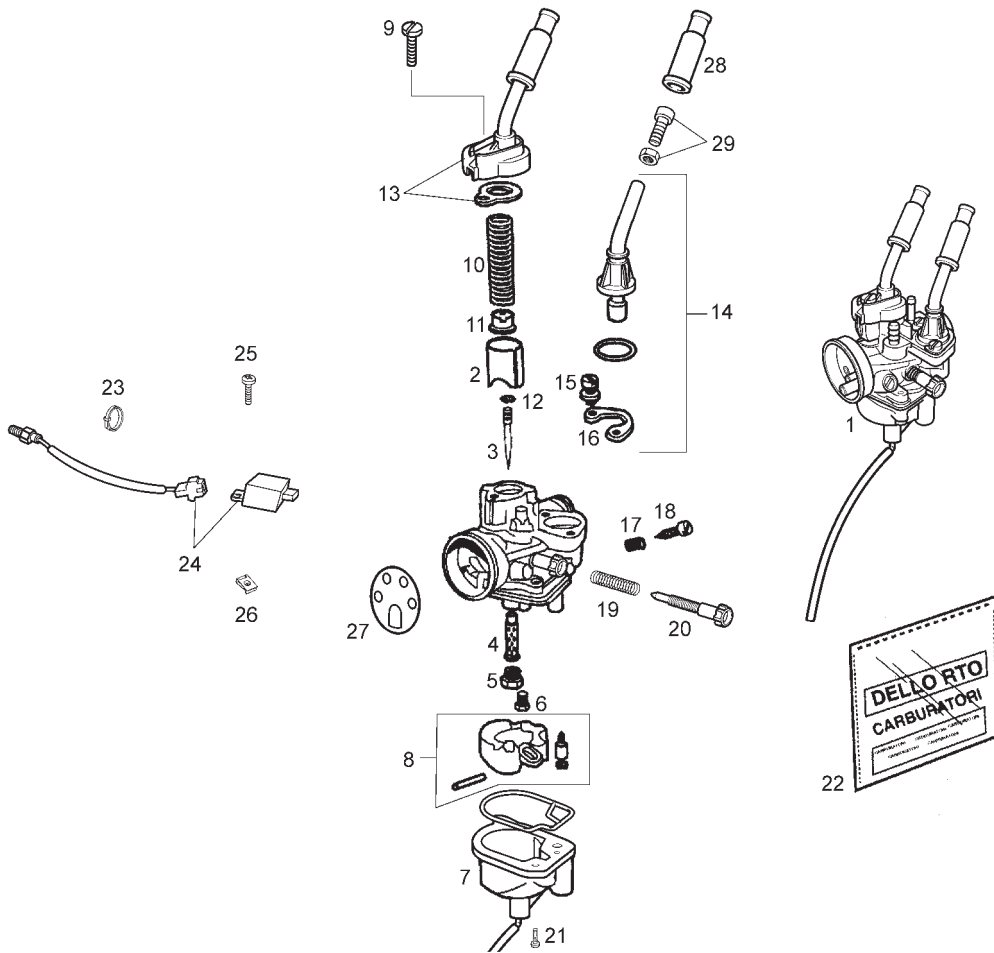


Fig.	Ver.	COD. KOD.	DESCRIPCIÓN DENOMINAZIONE NAME	BEZEICHNUNG DESIGNATION	MOD.	NOTAS NOTES NOTA MITSCHRIFT NOTES
23A		00A00900531	BRIDA FLANGIA UNIONE CAVI CLAMP	KLAMMER COLLIER	3 6 9 C F	SINCE FRAME 9H433718
24A		00H06001151	CTO KIT CALENTADOR CARBURADOR KIT RISCALDAMENTO KIT CARBURETTOR HEATER	KABELBAUN FUR HEIZUNG VERG KIT QUI CHAUFFE CARBURATEUR	3 6 9 C F	SINCE FRAME 9H433718
25A		00F05900041	SCTO TORNILLO 6M100X16 VITE SCREW	SCHRAUBE VIS	3 6 9 C F	SINCE FRAME 9H433718
26A		00D01501371	TUERCA FIJACION D6 DADO NUT	MUTTER ECROU	3 6 9 C F	SINCE FRAME 9H433718
27A		827892	CALIBRADOR DE AIRE CALIBRATORE AIR GAUGE	SCHUBLEHRE JAUGE D'AIR	3 6 9 C F	SINCE FRAME 9H433718
28A		289903	CAPUCHON CAPPUCIO PROTECTOR	KAPPE CAPUCHON	3 6 9 C F	SINCE FRAME 9H433718
29A		288868	TORNILLO VITE SCREW	SCHRAUBE VIS	3 6 9 C F	SINCE FRAME 9H433718

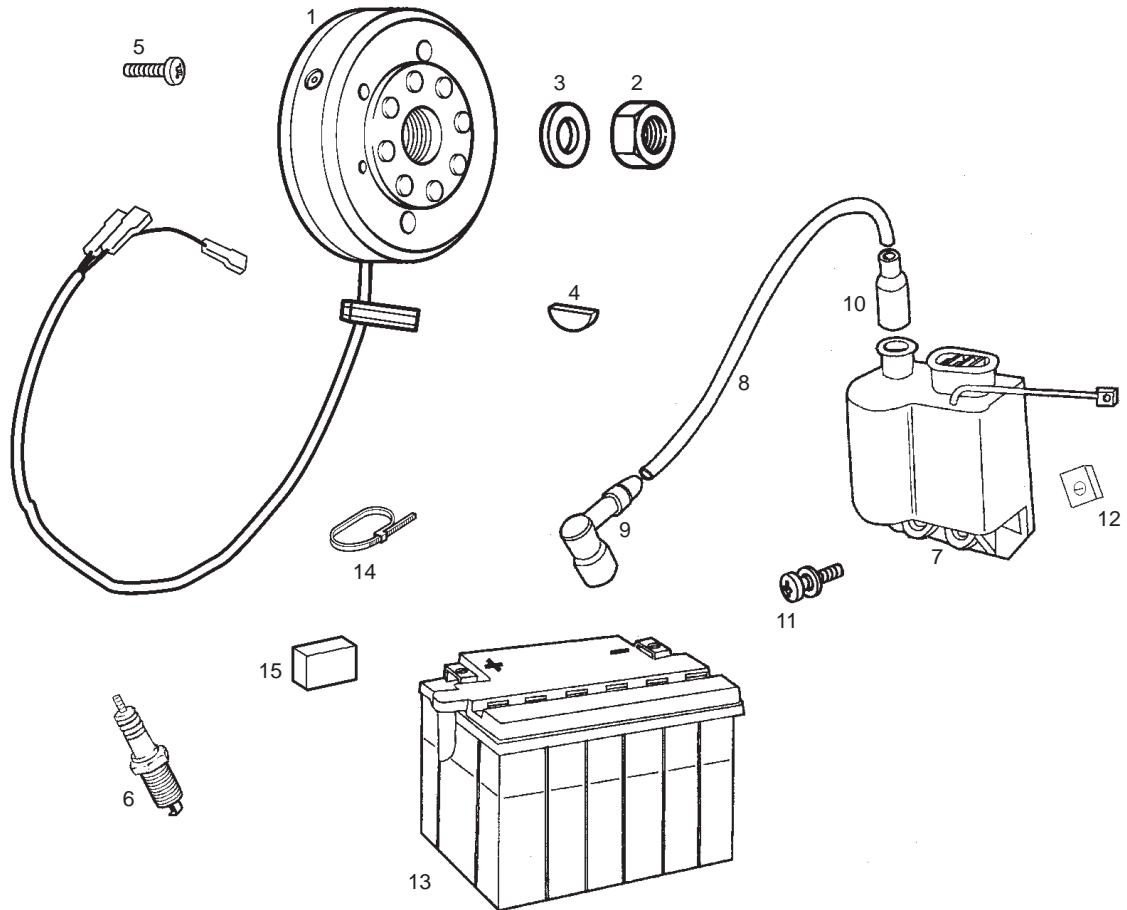


Fig.	Ver.	COD. KOD.	DESCRIPCIÓN DENOMINAZIONE NAME	BEZEICHNUNG DESIGNATION	MOD.	NOTAS NOTES NOTA MITSCHRIFT NOTES
01A		82829R	CTO VOLANTE MAGNETICO VOLANO ELETTRONICO MAGNETO ASSEMBLY	LICHTMASCHINE KOMPL. VOLANT MAGNETIQUE	123 45 6 789 ABC DEF	
02A		847235	TUERCA FIJACION VOLANTE.MAGN. DADO NUT	MUTTER ECROU NUT	123 45 6 789 ABC DEF	
03A		847234	ARANDELA FIJ. VOLANTE.MAGN RONDELLA WASHER	SCHEIBE RONDELLE	123 45 6 789 ABC DEF	
04A		847215	CHAVETA VOLANTE MAGNETICO SPINA VOLANO MAGNETICO .P.REC. KEY, FLYWHEEL	KEIL CLAVETTE VOLANT MAGNETIQUE	123 45 6 789 ABC DEF	
05A	01	847233	TORNILLO FIJ.VOLTE.MAGN.5M80X10. VITE SCREW	SCHRAUBE VIS	123 45 6 789 ABC DEF	
05A		00003133260	TORNILLO FIJ.VOLTE.MAGN.5M80X10. VITE SCREW	SCHRAUBE VIS	123 45 6 789 ABC DEF	
06A		847085	BUJIA CANDELA SPARK PLUG	KERZE BOUGIE	123 45 6 789 ABC DEF	
07A		00H03330171	CTO CONVERSION ELECTRONICO COVERTITORE ELETTRON COIL, PRIMARY IGNITION	ZUNDSPULE BOBINE AUTE TENSION	12 45 78 AB DE	
07B		00H03334171	CTO CONVERSION ELECTRONICO COVERTITORE ELETTRON COIL, PRIMARY IGNITION	ZUNDSPULE BOBINE AUTE TENSION	3 6 9 C F	
08A		00F03310741	CABLE BOBINA CAVO BOBINA CABLE COIL PRIMARY IGNITION	ZUNDSPULENKABEL CABLE	123 45 6 789 ABC DEF	
09A		00G03301271	CTO. PIPA BUJIA PIPETA CANDELA COVER, SPARK PLUG	ZUNDKERZENSTECRER PIPE DE BOUGIE	123 45 6 789 ABC DEF	

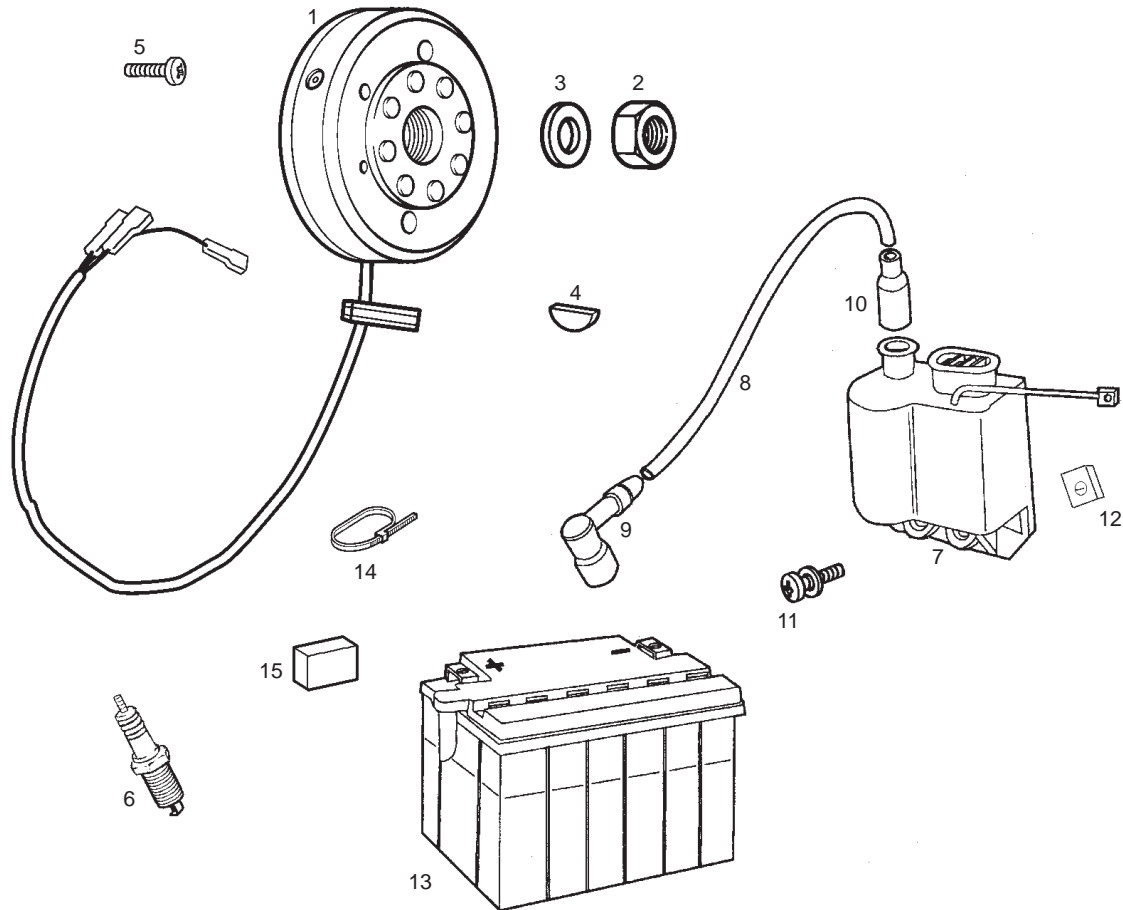


Fig.	Ver.	COD. KOD.	DESCRIPCIÓN DENOMINAZIONE NAME	BEZEICHNUNG DESIGNATION	MOD.	NOTAS NOTES NOTA MITSCHRIFT NOTES
10A	01	00F03300731	CAPUCHON CABLE BOBINA CAPPUCCIO CAVO BOBINA COIL CABLE RUBBER PROTECTOR	KAPPE CAPUCHON	123456 789ABC DEF	
10A		00G03301731	CAPUCHON CABLE BOBINA CAPPUCCIO CAVO BOBINA COIL CABLE RUBBER PROTECTOR	KAPPE CAPUCHON	123456 789ABC DEF	
11A		00G06800021	SCTO. TORNILLO 6M100X20 VITE SCREW	SCHRAUBE VIS	123456 789ABC DEF	
12A		00D01501371	TUERCA FIJACION D6 DADO NUT	MUTTER ECROU	123456 789ABC DEF	
13A		00G03301401	BATERIA 12V BATTERIA BATTERY	BATTERIE BATTERIE	123456 789ABC DEF	
14A		00F00900531	BRIDA 290 X 4,8 FLANGIA CLAMP	BEF.-SCHELLE ENTRETOISE	123456 789ABC DEF	
15A		00H06300771	TOPE BATERIA FERMO STOP	ANSCHLAG BUTEE	123456 789ABC DEF	

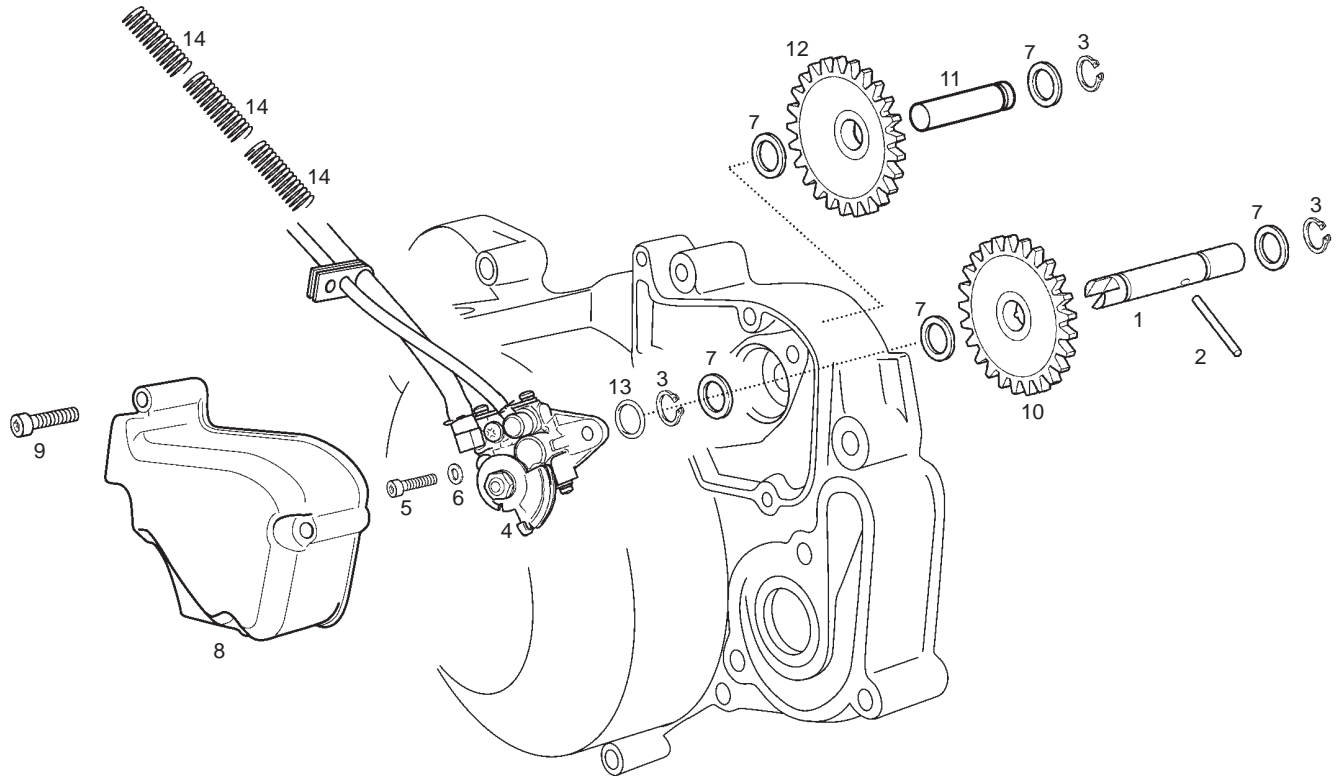


Fig.	Ver.	COD. KOD.	DESCRIPCIÓN DENOMINAZIONE NAME	BEZEICHNUNG DESIGNATION	MOD.	NOTAS NOTES NOTA MITSCHRIFT NOTES
01A		847052	EJE BOMBA ACEITE ASSE POMPA OLIO PUMPOIL AXLE	OLPUMPUNACHSE AXE DE POMPE D,HUILLE	123 456 789ABC DEF	
02A		847184	PASADOR EJE BOMBA CHIAVISTELLO SOSTEGNO SPIRALE FORK PIN	STIFT GOUDILLE	123 456 789ABC DEF	
03A		847182	ANILLO SEGURIDAD EJES D8 ANELLO SICUREZZA CIRCLIP	SEEGERRING CIRCLIP	123 456 789ABC DEF	
04A		847055	CTO. BOMBA ACEITE POMPA OLIO OIL PUMP	OLPUMPE POMPE A HUILLE	123 456 789ABC DEF	
05A	01	847227	TORNILLO C/ALLEN 5M80X15 VITE SCREW	SCHRAUBE VIS	123 456 789ABC DEF	
05A		00002051551	TORNILLO C/ALLEN 5M80X15 VITE SCREW	SCHRAUBE VIS	123 456 789ABC DEF	
06A	01	847226	ARANDELA D5 RONDELLA WASHER	SCHEIBE RONDELLE	123 456 789ABC DEF	
06A		00000031050	ARANDELA D5 RONDELLA WASHER	SCHEIBE RONDELLE	123 456 789ABC DEF	
07A		847183	ARANDELA TOPE PIÑON INTERMEDIO RONDELLA WASHER	SCHEIBE RONDELLE	123 456 789ABC DEF	
08A		00H03706011	TAPA BOMBA ACEITE COPERCHIO COVER	DECKEL COUVERCLE	123 456 789ABC DEF	
09A		00004154000	TORNILLO C/ALLEN 5M80X40 VITE SCREW	SCHRAUBE VIS	123 456 789ABC DEF	

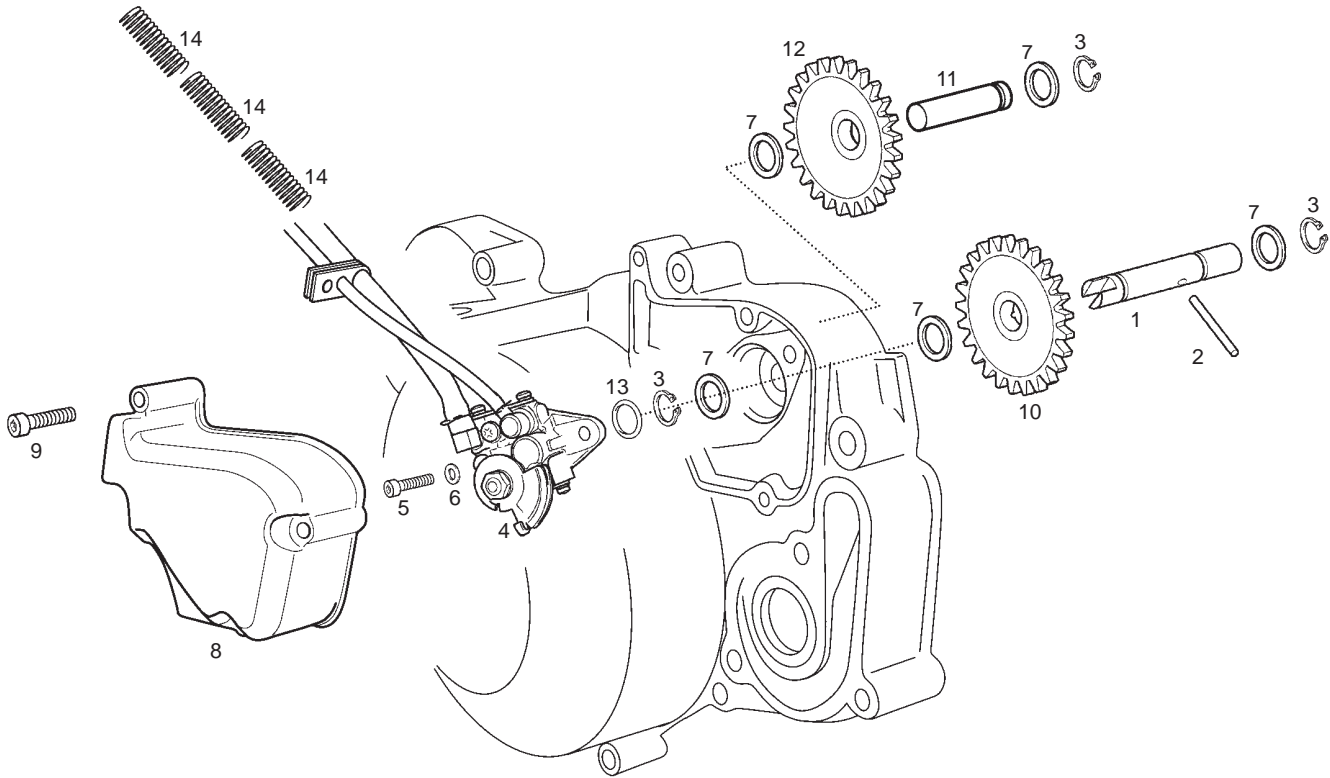


Fig.	Ver.	COD. KOD.	DESCRIPCIÓN DENOMINAZIONE NAME	BEZEICHNUNG DESIGNATION	MOD.	NOTAS NOTES NOTA MITSCHRIFT NOTES
10A		847051	PIÑÓN BOMBA ACEITE Z25 PIGNONE GEAR	ZAHNRAD PIGNON	12 3 4 5 6 7 8 9 ABC DEF	
11A		847076	EJE PIÑONES INTERMEDIOS ASSE AXLE	ACHSE AXE	12 3 4 5 6 7 8 9 ABC DEF	
12A		847053	PIÑÓN INTERMEDIO BOMBA Z13/24 PIGNONE GEAR	ZAHNRAD PIGNON	12 3 4 5 6 7 8 9 ABC DEF	
13A		311163	JUNTA BOMBA ACEITE GUARNIZIONE GASKET	DICHTUNG JOINT	12 3 4 5 6 7 8 9 ABC DEF	
14A		00H03701511	MUELLE PROTECCION TUBO ACEITE MOLLA SPRING	FEDER RESORT	12 45 78 AB DE	

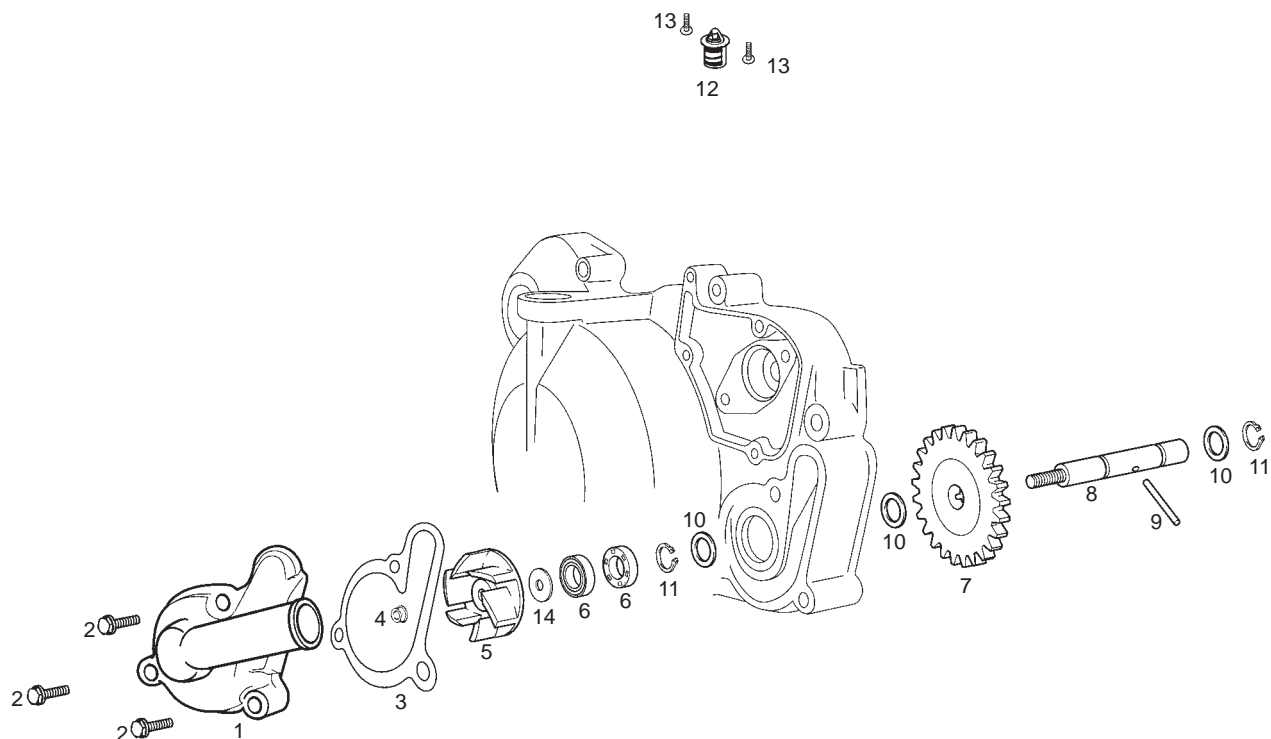


Fig.	Ver.	COD. KOD.	DESCRIPCIÓN DENOMINAZIONE NAME	BEZEICHUNG DESIGNATION	MOD.	NOTAS NOTES NOTA MITSCHRIFT NOTES
01A		CM150802	TAPA BOMBA AGUA COPERCHIO POMPA ACQUA WATER PUMP COVER	DECKEL F. WASSERPUMPE COUVERCLE DE POMPE D,EAU	123456 789ABC DEF	
02A	01	CM149805	TORNILLO FIJACION 6X30 Zn.B VITE SCREW	SCHRAUBE VIS	123456 789ABC DEF	
02A		00G03900821	TORNILLO FIJACION 6X30 Zn.B VITE SCREW	SCHRAUBE VIS	123456 789ABC DEF	
03A		871688	JUNTA TAPA BOMBA AGUA GUARNIZIONE COPERCHIO GASKET	DICHTUNG F. WASSERPUMPENDE JOINT	123456 789ABC DEF	
04A		847067	TUERCA 5M80 LATON DADO NUT	MUTTER ECROU	123456 789ABC DEF	
05A		847079	RODETE BOMBA AGUA ROCCHETTO POMPA ACQUA WATER PUMP ROLLER	LAUFER F. WASSERPUMP CHIGNON POMPE D,EAU	123456 789ABC DEF	
06A		847077	RETEN EJE BOMBA GIUNTO TENUTA SEAL	DICHTRING JOINT	123456 789ABC DEF	
07A		847080	PIÑÓN BOMBA AGUA Z-32 PIGNONE GEAR	ZAHNRAD PIGNON	123456 789ABC DEF	
08A		847078	EJE BOMBA AGUA ASSE POMPA ACQUA WATER-PUMP SHAFT	WASSERPUMPENACHSE AXE POMPE D,AEU	123456 789ABC DEF	
09A		847184	PASADOR EJE BOMBA CHIAVISTELLO SOSTEGNO SPIRALE FORK PIN	STIFT GOUDILLE	123456 789ABC DEF	
10A		847183	ARANDELA TOPE PIÑÓN INTERMEDIO RONDELLA WASHER	SCHEIBE RONDELLE	123456 789ABC DEF	

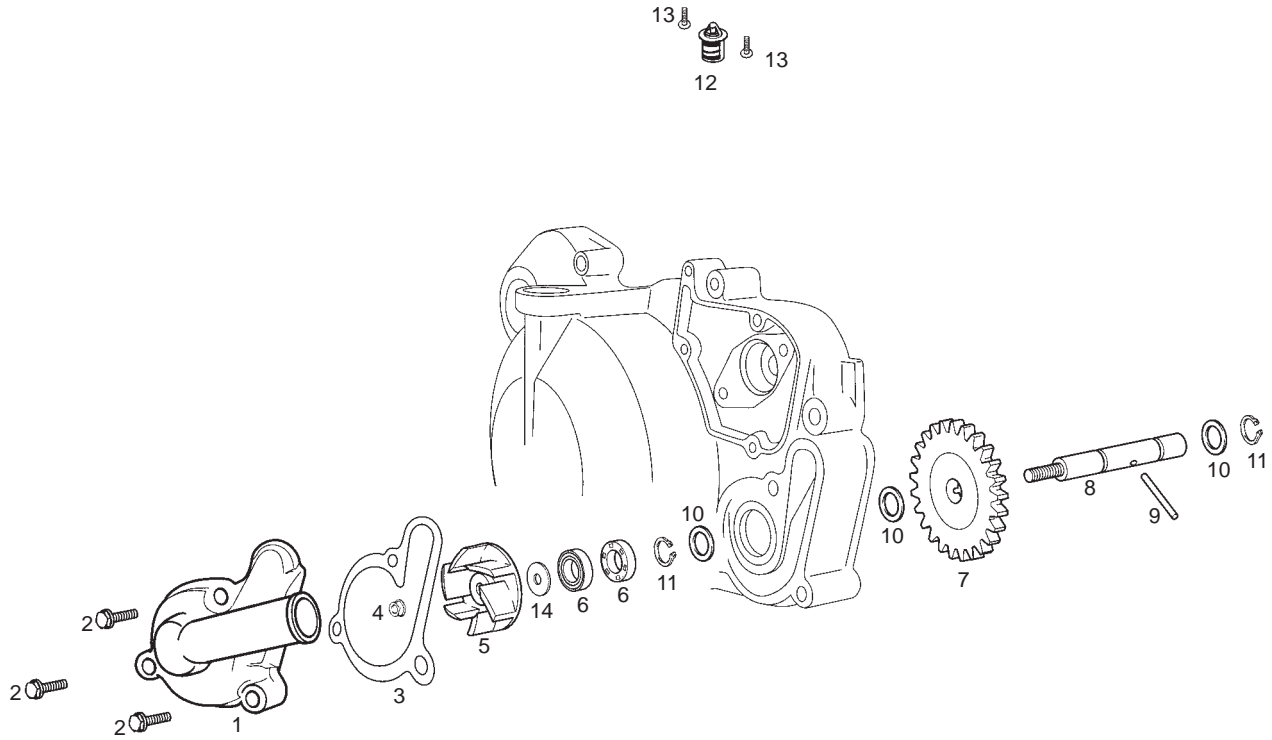


Fig.	Ver.	COD. KOD.	DESCRIPCIÓN DENOMINAZIONE NAME	BEZEICHNUNG DESIGNATION	MOD.	NOTAS NOTES NOTA MITSCHRIFT NOTES
11A		847182	ANILLO SEGURIDAD D8 ANELLO SICUREZZA CIRCLIP	SEEGERRING CIRCLIP	123456 789ABC DEF	
12A		483395	INTERRUPTOR TERMICO INTERRUPTORE TERMICO THERMIC SWITCH	SCHALTER INTERRUPTEUR	123456 789ABC DEF	
13A		847176	TORNILLO C/RED CRUZ NEGRO VITE SCREW	SCHRAUBE VIS	123456 789ABC DEF	
14A	01	847181	ARANDELA RONDELLA WASHER	SCHEIBE RONDELLE	123456 789ABC DEF	
14A		00D02600631	ARANDELA RONDELLA WASHER	SCHEIBE RONDELLE	123456 789ABC DEF	

Fig.	Ver.	COD. KOD.	DESCRIPCIÓN DENOMINAZIONE NAME	BEZEICHUNG DESIGNATION	MOD.	NOTAS NOTES NOTA MITSCHRIFT NOTES
01A		00H05400451	ÚTIL MONTAJE RETENES CIGÜEÑAL CRANKSHAFT OIL SEAL FITTIN TOOL UTENSILE MONTAGGIO FERMI ALBERO A GOMITE		123456 789ABC DEF	
02A		00H05400581	ÚTIL MONTAJE RETÉN EJE ARRANQUE STARTER SHAFT OIL SEAL FITTIN TOOL UTENSILE MONTAGGIO FERMO ASSE AVVIAMENTO		123456 789ABC DEF	
03A		00H05401561	ÚTIL MONTAJE RETÉN EJE SELECTOR SELECTOR SHAFT OIL SEAL FITTIN TOOL UTENSILE MONTAGGIO FERMO ASSE SELETTORE		123456 789ABC DEF	
04A		00H05300041	ÚTIL FIJACIÓN CAMPANA DE EMBRAGUE CLUTHC BELL HOUSING SECURING TOOL UTENSILE FISSAGGIO CAMPANA FRIZIONE		123456 789ABC DEF	
05A		00H05600241	ÚTIL MONTAJE CASQUILLO DE AGUJAS EJE PRIMARIO PRIMARY SHAFT NEEDLE BUSH FITTING TOOL UTENSILE MONTAGGIO CAPUCCHIO AGHI ASSE PRIMARIO		123456 789ABC DEF	
06A		00H05300151	EMPUJADOR ABRIR MOTOR ENGINE OPENING PUSHER ELEMENTO DI SPINTA PER APRIRE IL MOTORE		123456 789ABC DEF	
07A		00H05600351	PIVOTE GUÍA RETÉN EJE SECUNDARIO GPR GPR SECONDARY SHAFT OIL SEAL GUIDE PIVOT PERNO GUIDA FERMO ASSE SECONDARIO GPR		123456 789ABC DEF	
08A		00F05300021	EXTRACTOR VOLANTE MAGNÉTICO ALTERNADOR ALTERNATOR MAGNETO EXTRACOR ESTRATTORE VOLANTE MAGNETICO ALTERNATORE		123456 789ABC DEF	
09A		00G05300011	BLOQUEADOR GIRO VOLANTE MAGNÉTICO ALTERNADOR ALTERNATOR MAGNETO TURN LOCKER BLOCANTE GIRO VOLANTE MAGNETICO ALTERNATORE		123456 789ABC DEF	
10A		00D05310091	PIÑÓN MOTOR SENDA SENDA ENGINE PINION PIGNONE MOTORE SENDA		123456 789ABC DEF	
11A		00H05600421	RETÉN EXTERIOR BOMBA DE AGUA WATER PUMP EXTERIOR OIL SEAL FERMO ESTERNO POMPA ACQUA		123456 789ABC DEF	
12A		00H05600431	RETÉN INTERIOR BOMBA DE AGUA WATER PUMP INTERIOR OIL SEAL FERMO INTERIOR POMPA ACQUA		123456 789ABC DEF	
13A		00H05100101	ÚTIL TRABAR PIÑÓN MOTOR ENGINE PINION FASTENING TOOL UTENSILE PER UNIRE IL PIGNONE MOTORE		123456 789ABC DEF	
14A		00H05401451	JAULA EJE CONTRAPESO COUNTERWEIGHT SHAFT CAGE GABBIA ASSE CONTRAPPESO		123456 789ABC DEF	
15A		00H05400461	RETÉN EJE CONTRAPESO COUNTERWEIGHT SHAFT OIL SEAL FERMO ASSE CONTRAPPESO		123456 789ABC DEF	
16A		00H05601261	PIVOTE GUÍA EJE BOMBA AGUA WATER PUMP SHAFT WATER GUIDE PIVOT PERNO GUIDA ASSE POMPA ACQUA		123456 789ABC DEF	
17A		00H05301841	PIVOTE GUÍA RETÉN EJE CIGÜEÑAL CRANKSHAFT JOURNAL OIL SEAL GUIDE PIVOT PERNO GUIDA FERMO ASSE ALBERO A GOMITO		123456 789ABC DEF	

CODIGO CODE	Lám. Diagnr.	Figr.	Vers.	CODIGO CODE	Lám. Diagnr.	Figr.	Vers.	CODIGO CODE	Lám. Diagnr.	Figr.	Vers.	CODIGO CODE	Lám. Diagnr.	Figr.	Vers.
00000004412	07A	38A		00004154000	23	09A		00037000600	19	21A		00D02600631	10	26A	
00000004510	18	24B		00004162500	19	20A		00047030400	04	04A		00D02600631	11	03A	
00000004612	13A	15A		00005010760	06	25A		00047030900	19	16A		00D02600631	12	12A	
00000004612	13B	15A		00005527540	10	19A		00052062011	16	09A		00D02600631	13A	23A	
00000004635	02B	08A		00005551290	14	03A		00058120100	08	04A		00D02600631	13B	23A	
00000004830	02B	01A		00006309260	06	26A		00058120100	09	05A		00D02600631	24	14A	
00000012415	12	09A		00006309260	10	02A		00073481964	04	31A		00D03210491	04	27B	
00000013510	18	05A		00006321040	06	12A		00232120032	08	16A		00D03700131	04	12A	
00000021050	07A	15A		00006321040	10	03A		00262080022	01	08A		00D03700131	13A	31A	
00000021050	07B	15A		00008051600	07A	40A		00262100032	01	27A		00D05310091	25	10A	
00000021080	06	13A		00008051600	07B	40A		00262120032	09	13A		00D05900081	07A	17A	
00000023051	07A	12A		00008061500	02A	21A		00402060001	09	03A		00D05900081	07B	17A	
00000023051	07B	12A		00008061500	02B	21A		00402080001	01	03A		00D05910081	04	34A	
00000023060	07A	28A		00008061500	02C	21A		00402080001	08	22A		00D05910081	12	13A	
00000023060	07B	28A		00008061500	02D	20A		00402080001	10	18A		00F00400131	04	07A	01
00000023060	09	09A		00008061500	07A	43A		00402080001	12	06A		00F00400771	04	08A	
00000031050	03	14A		00008062000	07A	37A		00402100001	01	23A		00F00403321	04	14A	
00000031050	05A	21A		00008063000	07B	43A		00442060002	17	10A		00F00900531	07A	22A	
00000031050	05B	21A		00008213182	08	06A		00A00900531	21A	23A		00F00900531	07B	22A	
00000031050	07A	41A		00008902630	01	28A		00A00900531	21B	23A		00F00900531	10	10A	
00000031050	07B	21A		00008915020	04	21A		00D00200761	02A	26A		00F00900531	22	14A	
00000031050	07B	41A		00008915020	13A	09A		00D00200761	02B	27A		00F00902291	06	06A	
00000031050	07B	46A		00008915020	13B	09A		00D00200761	02C	26A		00F00910291	06	16A	
00000031050	23	06A		0000A517011	07A	23A		00D00200761	02D	25A		00F00920551	06	18A	
00000031080	02B	20A		0000A517011	07B	23A		00D00900531	04	45A		00F01210312	09	12A	
00000031080	06	10A		00011021300	07A	16A		00D00900531	06	20A		00F03201211	21A	02B	
00000033040	18	25A		00011021300	07B	16A		00D00900531	06	21A		00F03201211	21B	02A	
00000034050	18	25B		00011041300	03	08A		00D00900531	07A	20A		00F03300731	22	10A	01
00000036100	19	17A		00011041300	10	11A		00D00900531	07A	27A		00F03310741	22	08A	
00000047110	16	17A		00011051401	05A	22A		00D00900531	07B	20A		00F03700131	15	21A	
00000047111	19	03A		00011051401	05B	22A		00D00900531	07B	27A		00F03710131	04	16A	
00000056205	01	14A		00011051801	04	19A		00D00900531	13A	05A		00F03710131	13A	07A	
00000061040	19	18A		00011141300	03	20A		00D00900531	13A	25A		00F03710131	13B	07A	
00000326260	16	06A		00011141300	13A	22A		00D00900531	13B	05A		00F03710241	13A	27A	
00001113192	09	04A		00011141300	13B	22A		00D00900531	13B	25A		00F03710241	13B	27A	
00001130370	20	15A		00012051200	07B	45A		00D01000701	06	24A		00F04201361	12	10A	
00002028770	17	08A		00012053000	07B	38A		00D01100201	10	04A		00F04700121	08	25A	
00002028770	19	01A		00012061000	03	23A		00D01200171	03	18A		00F04700121	10	27A	
00002041050	18	24A		00012061200	03	07A		00D01200171	04	29A		00F05300021	25	08A	
00002051551	23	05A		00012061200	04	20A		00D01200171	05A	14A		00F05900041	05A	10A	
00002061011	13A	35A		00012061200	05A	24A		00D01200171	05B	14A		00F05900041	05B	10A	
00002061011	13B	39A		00012061200	05B	24A		00D01200171	07A	21A		00F05900041	21A	25A	
00002061011	20	12A		00012062500	04	42A		00D01201091	08	11A		00F05900041	21B	25A	
00002062011	12	04A		00012082001	12	05A		00D01300091	08	05A		00G00200112	02A	25A	
00002062511	17	09A		00012082001	12	14A		00D01300192	03	06A		00G00200112	02B	26A	
00002082021	11	10A		00012151500	10	24A		00D01301401	09	10A		00G00200112	02C	25A	
00002125170	15	17A		00012152000	05A	23A		00D01500021	05A	19A		00G00200112	02D	24A	
00002182000	09	08A		00012152000	05B	23A		00D01500021	05B	19A		00G00400181	04	11A	
00002212070	08	10A		00012152000	11	02A		00D01500021	11	05A		00G00400501	04	10A	
00002212070	09	21A		00012161600	04	30A		00D01500471	04	32A		00G00400501	13A	30A	
00002215152	01	25A		00014041200	06	09A		00D01500552	04	22A		00G00400501	13B	30A	
00002503230	03	04A		00022083021	08	21A		00D01500552	13A	11A		00G00401131	04	07A	
00002518790	01	17A		00022084021	01	04A		00D01500552	13B	11A		00G00901661	06	28A	
00003102280	20	13A		00022084521	01	07A		00D01501371	03	19A		00G01001571	07A	13A	
00003112322	03	03A		00023108000	01	05A		00D01501371	04	28A		00G01001571	07B	13A	
00003112322	08	03A		00023108000	10	20A		00D01501371	05A	08A		00G01500951	12	03A	
00003115422	03	12A		00023108000	12	07A		00D01501371	05B	08A		00G01503701	05A	09A	
00003127200	19	19A		00023112000	03	13A		00D01501371	07A	14A		00G01503701	05B	09A	
00003133260	22	05A		00026005000	07B	47A		00D01501371	07B	14A		00G01503701	10	06A	
00003306570	01	11A		00031086022	08	24A		00D01501371	13A	06A		00G01601581	11	07A	
00003710110	07A	04A		00031106000	02A	22A		00D01501371	13B	06A		00G01602581	11	06A	
00003710110	07B	04A		00031106000	02B	22A		00D01501371	21A	26A		00G01606051	11	08A	
00003710120	07A	05A		00031106000	02C	22A		00D01501371	21B	26A		00G02102083	06	05A	
00003710120	07B	05A		00031106000	02D	21A		00D01501371	22	12A		00G02200692	13A	17A	
00004053500	07A	32A		00031106000	07A	25A		00D01520096	01	20A		00G02200692	13B	17A	
00004053500	07B	32A		00034000802	08	23A		00D01540456	01	21A		00G03001091	20	23A	
00004061600	06	23A		00036008000	01	02A		00D02100901	06	22A		00G03002091	20	24A	

CODIGO CODE	Lám. Diagr.	Figr.	Vers.	CODIGO CODE	Lám. Diagr.	Figr.	Vers.	CODIGO CODE	Lám. Diagr.	Figr.	Vers.	CODIGO CODE	Lám. Diagr.	Figr.	Vers.
00G03200061	21A	09A		00H00301401	03	05A		00H01101731	10	05A		00H02100191	06	07A	
00G03200061	21B	09A		00H00303892	03	11A		00H01102072	10	15A		00H02100861	06	08A	
00G03200101	21A	19A		00H00308971	03	01A		00H01103611	10	14A		00H02101621	06	02A	
00G03200101	21B	19A		00H00308972	03	01B		00H01104583	10	21A		00H02105611	06	27A	
00G03200511	21A	11A		00H00309331	03	25A		00H01106181	10	12A		00H02201302	01	24A	
00G03200511	21B	11A		00H00309331	03	26A		00H01109081	10	01A		00H02201312	01	06A	
00G03200541	21A	15A		00H00400501	13A	18A		00H01120021	10	16A		00H02201591	05A	18A	
00G03200541	21B	15A		00H00400501	13A	21A		00H01202193	08	19A		00H02201591	05B	18A	
00G03200551	21A	16A		00H00400501	13B	20A		00H01202331	08	15A		00H02258876	07A	02A	
00G03200551	21B	16A		00H00400501	13B	33A		00H01203272	08	02A		00H02259871	07A	02B	
00G03200721	21A	17A		00H00403831	04	43A		00H01205711	08	08A		00H02300961	07A	30A	
00G03200721	21B	17A		00H00404051	04	24A		00H01206061	08	09A		00H02300961	07B	30A	
00G03200731	21A	18A		00H00404684	04	01C		00H01206101	08	13A		00H02305381	06	14A	
00G03200731	21B	18A		00H00405686	04	01B		00H01208111	08	14A		00H02305501	07B	25A	
00G03201071	21A	10A		00H00406011	04	09A		00H01209021	08	07A	01	00H02401282	09	18A	
00G03201071	21B	10A		00H00406521	04	44A		00H01212082	08	12A		00H02402282	08	18A	
00G03201091	21A	21A		00H00501761	05A	26A		00H01301501	09	19A		00H02404332	09	01A	
00G03201091	21B	21A		00H00501761	05B	26A		00H01301691	09	20A		00H02500272	01	18A	
00G03201371	21A	12A		00H00600341	04	18A		00H01301831	08	17A		00H02501491	20	28A	
00G03201371	21B	12A		00H00604141	04	02A		00H01301831	10	22A		00H02510641	20	21A	
00G03204272	04	13A		00H00608164	05A	20B		00H01302172	09	11A		00H02703421	17	02A	
00G03301271	22	09A		00H00608164	05B	20A		00H01302355	09	17A		00H02800421	18	23A	
00G03301401	22	13A		00H00609163	05B	20B		00H01304091	09	06A		00H02808371	18	22B	
00G03301731	22	10A		00H00626011	04	17A		00H01304202	03	02A		00H02810421	18	23B	
00G03800741	13A	24A		00H00705121	05A	13A		00H01304202	09	02A		00H02813371	18	22A	01
00G03800741	13B	24A		00H00705121	05B	13A		00H01305531	09	16A		00H02902252	19	15A	
00G03801561A13A	04A			00H00711025	05A	01C		00H01307821	09	14A		00H03000091	20	26A	
00G03801561A13B	04A			00H00711025	05B	01B		00H01308361	09	22A		00H03000272	01	26A	
00G03801701	13A	12A		00H00712341	05A	11A		00H01309321	09	23A		00H03007241	20	06A	
00G03801701	13B	12A		00H00712341	05B	11A		00H01317031	09	15A		00H03201201	21A	07B	
00G03801701	13B	34A		00H00714023	05A	01B		00H01326031	09	15B		00H03201201	21B	07A	
00G03900821	20	19A		00H00714023	05B	01A		00H01500691	04	36A		00H03201251	04	26B	01
00G03900821	24	02A		00H00714024	05A	01A		00H01501212	09	24A		00H03202281	21A	08B	
00G04102131	21A	20A	01	00H00800422	01	13A		00H01501811	03	15A		00H03202281	21B	08A	
00G04102131	21B	20A		00H00804081	01	10A		00H01501811	10	13A		00H03203711	21A	14A	
00G04400752	05A	12A		00H00805072	01	12A		00H01502201	09	07A		00H03204231	21A	13A	
00G04400752	05B	12A		00H00819011	01	09A		00H01502741	07B	39A		00H03204231	21B	13A	
00G04401462	05A	04A		00H00819012A	01	09B		00H01502871	03	22A	01	00H03204281	21A	08A	
00G04401462	05B	04A		00H00908012A	06	01A		00H01506201	09	07B		00H03204421	21A	04B	
00G04401462	07A	36A		00H00908012A	06	01B		00H01508181	03	16A		00H03204421	21B	04A	
00G04401462	07B	36A		00H00915751	06	11A		00H01508191	03	10A		00H03206421	21A	04A	
00G04401462	10	25A		00H00917301	06	17A		00H01600911	11	04A		00H03207211	21A	02A	01
00G04700141	08	20A		00H00930071	06	15A		00H01616021	11	09A		00H03207261	04	33A	
00G04700141	10	23A		00H00930091	06	04A		00H01625521	11	01A		00H03208031	21A	05A	
00G05300011	25	09A		00H00931171	06	03A		00H01628521	11	01B		00H03208491	04	27A	
00G06300671	05A	07A		00H00934171	06	03B		00H01703301	07A	24A		00H03209251	04	26A	
00G06300671	05B	07A		00H01000131	07A	07A		00H01703301	07B	24A		00H03209251	04	26B	
00G06800021	22	11A		00H01000131	07B	07A		00H01703391	07A	26A		00H03214431	21A	03A	01
00H00202441	02B	25A		00H01000371	07A	10A		00H01703391	07B	26A		00H03214431	21B	03A	
00H00202451	02B	19A		00H01000371	07B	10A		00H01800402	12	08A		00H03215031	21A	05B	
00H00202761	02B	03A		00H01001701	10	07A		00H01801411	11	11A		00H03215031	21B	05A	
00H00203701	02B	24A		00H01001911	07A	29A		00H01801771	01	15A		00H03330171	22	07A	
00H00204601	02A	04A		00H01001911	07B	29A		00H01802081	02A	18A	01	00H03334171	22	07B	
00H00204601	02C	04A		00H01002341	07A	08A		00H01802081	02B	18A		00H03404321	12	11A	
00H00205501	02B	06A		00H01002341	07B	08A		00H01802081	02C	18A		00H03446081	12	01B	
00H00206471	02B	17A		00H01002821	07A	33A		00H01802081	02D	17A	01	00H03700131	10	09A	
00H00206601	02B	04A		00H01002821	07B	33A		00H01803331	03	09A		00H03700461	20	18A	
00H00207231	02B	23A		00H01005311	07A	19A		00H01809541A	04	25A		00H03701411	13A	29A	
00H00208191	02B	12A		00H01005311	07B	19A		00H01855111	14	06C		00H03701411	13B	29A	
00H00209271	02B	07A		00H01006321	07A	09A		00H01856111	14	06D		00H03701511	23	14A	
00H00209741	02B	02A		00H01006321	07B	09A		00H01961601	01	01A		00H03703051	13A	28A	
00H00211531	02B	14A		00H01012011	07A	03A		00H01961602	01	01B		00H03703051	13B	28A	
00H00219171	02B	11A		00H01015011	07B	03A		00H01961602	01	01B		00H03704081	13A	26A	
00H00220011	02B	10A		00H01046301	07A	01A		00H02000051	02A	30A		00H03704081	13B	26A	
00H00221091	02B	09A		00H01046301	07B	01A		00H02004541	02B	05A		00H03706011	23	08A	
00H00239001	02B	13A		00H01100172	10	17A		00H02017031	02B	15A		00H03800091	13B	08A	
00H00300912	03	21A		00H01101211	10	08A		00H02025041	02B	16A		00H03800571	05B	29A	

CODIGO CODE	Lám. Diagr.	Figr.	Vers.	CODIGO CODE	Lám. Diagr.	Figr.	Vers.	CODIGO CODE	Lám. Diagr.	Figr.	Vers.	CODIGO CODE	Lám. Diagr.	Figr.	Vers.
00H03800571	04	35A		00H05703141	07A	06A		847042	16	12A		847214	18	28A	
00H03800722	07A	11A		00H05703141	07B	06A		847043	16	07A		847215	15	16A	
00H03800722	07A	39A		00H05900021	03	17A		847044	16	08A		847215	22	04A	
00H03800722	07B	11A		00H05900021	05A	02A		847045	16	03A		847217	16	02A	
00H03800751	13B	31A		00H05900021	05A	03A		847046	16	13A		847218	16	04A	
00H03801751	13A	14A		00H05900021	05A	17A		847047	16	14A		847220	16	05A	
00H03801751	13A	33A		00H05900021	05B	02A		847048	16	16A		847221	16	06A	01
00H03801751	13A	34A		00H05900021	05B	03A		847051	23	10A		847223	16	21A	
00H03801751	13B	14A		00H05900021	05B	17A		847052	23	01A		847224	16	15A	
00H03801751	13B	18A		00H05900021	13A	10A		847053	23	12A		847225	16	17A	01
00H03801751	13B	32A		00H05900021	13B	10A		847055	23	04A		847226	23	06A	01
00H03801961	13A	20A		00H05900621	05A	27A		847056	19	08A		847227	23	05A	01
00H03801961	13B	21A		00H05900621	05B	27A		847057	19	10A		847228	17	08A	01
00H03802031	13A	16A		00H05908251	11	12A		847058	19	11A		847228	19	01A	01
00H03802031	13B	16B		00H06001151	21A	24A		847059	19	12A		847229	19	03A	01
00H03802461	04	37A		00H06001151	21B	24A		847060	19	07A		847230	19	13A	
00H03802472	13A	03A		00H06007211A	04	25B		847061	19	06A		847231	19	14A	
00H03802472	13B	03A		00H06201061	04	15A	01	847062	19	09A		847232	19	05A	
00H03802501	13A	02B		00H06300771	05B	28A		847067	24	04A		847233	22	05A	01
00H03802501	13B	02B		00H06300771	22	15A		847068	17	06A		847234	22	03A	
00H03802541	13A	01B		00H06300791	11	13A		847069	17	04A		847235	22	02A	
00H03802541	13B	01B		00H06301401	01	16A		847070	17	05A		847236	17	01A	
00H03802751	13A	08A		00H06303752	04	05A		847073	17	03A		847237	20	07A	
00H03804971	13A	32A		00H06303762	04	03A		847074	19	04A		847238	20	08A	
00H03805011	13A	01A		00H06365731	14	06A		847075	16	19A		847239	20	13A	01
00H03805011	13B	01A		00H06366731	14	06B		847075	17	07A		847240	20	12A	01
00H03805301	13A	19A		00H06500451	01	19A		847076	23	11A		847241	20	03A	
00H03805301	13B	19A		00H06500561	04	41A		847077	24	06A		8472625001	15	02A	
00H03810501	13A	02A		00H06800461	07A	34A		847078	24	08A		8472625002	15	02B	
00H03810501	13B	02A		00H06800461	07B	34A		847079	24	05A		8472625003	15	02C	
00H04101181	21A	06A		288868	21B	29A		847080	24	07A		8472625004	15	02D	
00H04103771	21A	22A		289903	21B	28A		847081	18	31A		847508	15	01A	
00H04103771	21B	22A		311163	23	13A		847083	16	18A		847529	15	17A	01
00H04106181	21A	06B		436947	15	14A		847084	20	05A		847541	18	16A	
00H04106181	21B	06A		483395	24	12A		847085	22	06A		847542	18	14A	
00H04200721	04	38A		484704	21A	07A		847086	18	03A		847544	18	02A	
00H04200741	04	40A		827892	21B	27A		847087	20	14A		847545	18	18A	
00H04202721	04	39A		828074	21A	20A		847090	16	22A		847546	18	17A	
00H04302181	04	06A		828152	20	25A		847091	20	11A		847547	18	34A	
00H04607841	07B	31A		82829R	22	01A		847092	20	21A	01	847548	18	15A	
00H04612841	07A	31B		82835R	16	10A		847093	20	20A		847549	18	11A	
00H04640141	14	06E		847006	15	03A		847096	20	31A		847550	18	13A	
00H04724081	08	01A		847007	15	18A		847098	16	01A		861000	07A	31A	
00H04903292	01	22A		847008	15	15A		847153	18	07A		861000	07A	31C	
00H05001411	15	20A		847009	15	07A		847154	18	21A		861001	02A	13A	
00H05100101	25	13A		847010	15	10A		847155	18	09A		861001	02C	13A	
00H05101011	14	04A		847012	15	04A		847156	18	10A		86126R	12	02A	
00H05101561	14	02A		847014	15	08A	01	847157	18	08A		861305	06	30A	
00H05160121	14	01A		847015	20	16A		847158	18	30A		86133R	03	22A	
00H05300041	25	04A		847019	18	19A		847159	18	35A		86138R	13A	13A	
00H05300151	25	06A		847020	15	11A		847172	15	12A		86138R	13B	13A	
00H05301841	25	17A		847020	15	13A		847174	20	27A		861417	04	23A	
00H05400451	25	01A		847021	18	04A		847176	24	13A		86156R	08	07A	
00H05400461	25	15A		847022	20	02A		847178	15	05A		861621	06	29A	
00H05400581	25	02A		847023	20	10A		847179	16	09A	01	86177R	18	22A	
00H05401451	25	14A		847023	20	29A		847180	20	15A	01	861781	14	01B	
00H05401561	25	03A		847024	20	17A		847181	24	14A	01	862493	13B	16A	
00H05600241	25	05A		847026	15	09A		847182	23	03A		862535	03	24A	
00H05600351	25	07A		847027	18	01A		847182	24	11A		862541	13B	38A	
00H05600421	25	11A		847028	18	06A		847183	23	07A		862542	13B	35A	
00H05600431	25	12A		847029	18	36A		847183	24	10A		862543	13B	37A	
00H05601261	25	16A		847030	18	27A		847184	23	02A		862544	13B	36A	
00H05700481	07A	35A		847031	18	37A		847184	24	09A		862964	12	01A	
00H05700481	07B	35A		847032	18	26A		847209	18	20A		863143	02A	01A	
00H05701061	07B	37A		847036	18	32A		847210	18	05A	01	863143	02C	01A	
00H05701101	07A	42A		847038	18	29A		847211	18	12A		863144	02A	02A	
00H05701101	07B	42A		847040	16	11A		847213	18	33A		863144	02C	02A	

CODIGO CODE	Lám. Diagr.	Figr.	Vers.	CODIGO CODE	Lám. Diagr.	Figr.	Vers.	CODIGO CODE	Lám. Diagr.	Figr.	Vers.	CODIGO CODE	Lám. Diagr.	Figr.	Vers.
863145	02A	03A		86570702W0N	05B	05A		CM151902	15	06A					
863145	02C	03A		86570801W0N	05B	06B		CM152702	21A	01A					
863146	02A	05A		86570802W0N	05B	06A		CM159501	15	08B					
863146	02C	05A		8657120001	03	25B		CM159502	15	08A					
863147	02A	06A		8657130001	03	26B		CM159502	15	08C					
863147	02C	06A		86571401W0N	07B	02A		CM159503	15	08D					
863148	02A	07A		86571600W1B	05B	15A									
863148	02C	07A		86571601W1B	05B	15B									
863149	02A	08A		86571700W1B	05B	16A									
863149	02C	08A		86571701W1B	05B	16B									
863150	02A	09A		86573400W0N	05B	25B									
863150	02C	09A		86573400WN0	05B	25A									
863151	02A	10A		866497	04	15A									
863151	02C	10A		86649800WGB	06	01C									
863152	02A	11A		866577	02D	03A									
863152	02C	11A		866578	02D	04A									
863153	02A	12A		866579	02D	02A									
863153	02C	12A		866580	02D	08A									
863154	02A	14A		866581	02D	09A									
863154	02C	14A		866582	02D	01A									
863155	02A	15A		866582	02D	07A									
863155	02C	15A		866583	02D	06A									
863156	02A	16A		866584	02D	05A									
863156	02C	16A		866585	02D	10A									
863157	02A	17A		866586	02D	18A									
863157	02C	17A		866587	02D	19A									
863158	02A	19A		866588	02D	26A									
863158	02C	19A		866589	02D	13A									
863159	02A	20A		866590	02D	22A									
863159	02C	20A		866591	02D	23A									
863160	02A	23A		866592	02D	16A									
863160	02C	23A		866593	02D	11A									
863161	02A	24A		866594	02D	14A									
863161	02C	24A		866595	02D	15A									
863162	02A	27A		866675	02A	18A									
863162	02C	27A		866675	02D	17A									
863163	02A	28A		871319	20	30A									
863163	02C	28A		871688	24	03A									
863164	02A	29A		8744440001	15	02E									
863164	02C	29A		8744440002	15	02F									
86345700W0A	05A	05B		8744440003	15	02G									
86345700W0N	05A	05C		8744440004	15	02H									
86345700W1R	05A	05A		8770700001	15	02I									
86345800W0A	05A	06B		8770700002	15	02J									
86345800W0N	05A	06C		8770700003	15	02K									
86345800W1R	05A	06A		8770700004	15	02L									
86345910W0B	05A	15A		877072	15	03B									
86345910W0B	05A	15B		8772085	15	01B									
86346010W0B	05A	16A		877719	15	01C									
86346010W0B	05A	16B		878519	15	05B									
86351700W1R	04	01A		CM107514	21A	03A									
86352410W0B	05A	20A		CM141710	21A	02A									
86353700W0A	05A	25B		CM146204	21B	14A									
86353700W1R	05A	25A		CM149801	20	09A									
86360700W0N	05A	25C		CM149802	19	02A									
864416	02D	12A		CM149804	15	19A									
864489	04	06B		CM149804	20	22A									
864490	13A	28B		CM149805	24	02A	01								
864490	13B	28B		CM149806	20	23A	01								
864515	11	01C		CM149808	20	24A	01								
864587	07A	44A		CM149809	20	26A	01								
864587	07B	44A		CM149905	21A	01B									
864660	07A	18A		CM149906	21B	01A									
864660	07B	18A		CM1503015	20	01A									
865004	14	05A		CM150703	20	04A									
865599	06	19A		CM150802	24	01A									
86570701W0N	05B	05B		CM151201	16	20A									