

NACIONAL MOTOR, S.A.U. DERBI

C/ Barcelona, nº19 - Martorelles 08107 - BARCELONA (SPAIN)

Tel. 93 565 78 78 - Fax 93 565 78 52

DERBI



SENDA R X-RACE 2006 E2

CÓDIGO CATÁLOGO
CATALOGUE NUMBER

7077CH06001

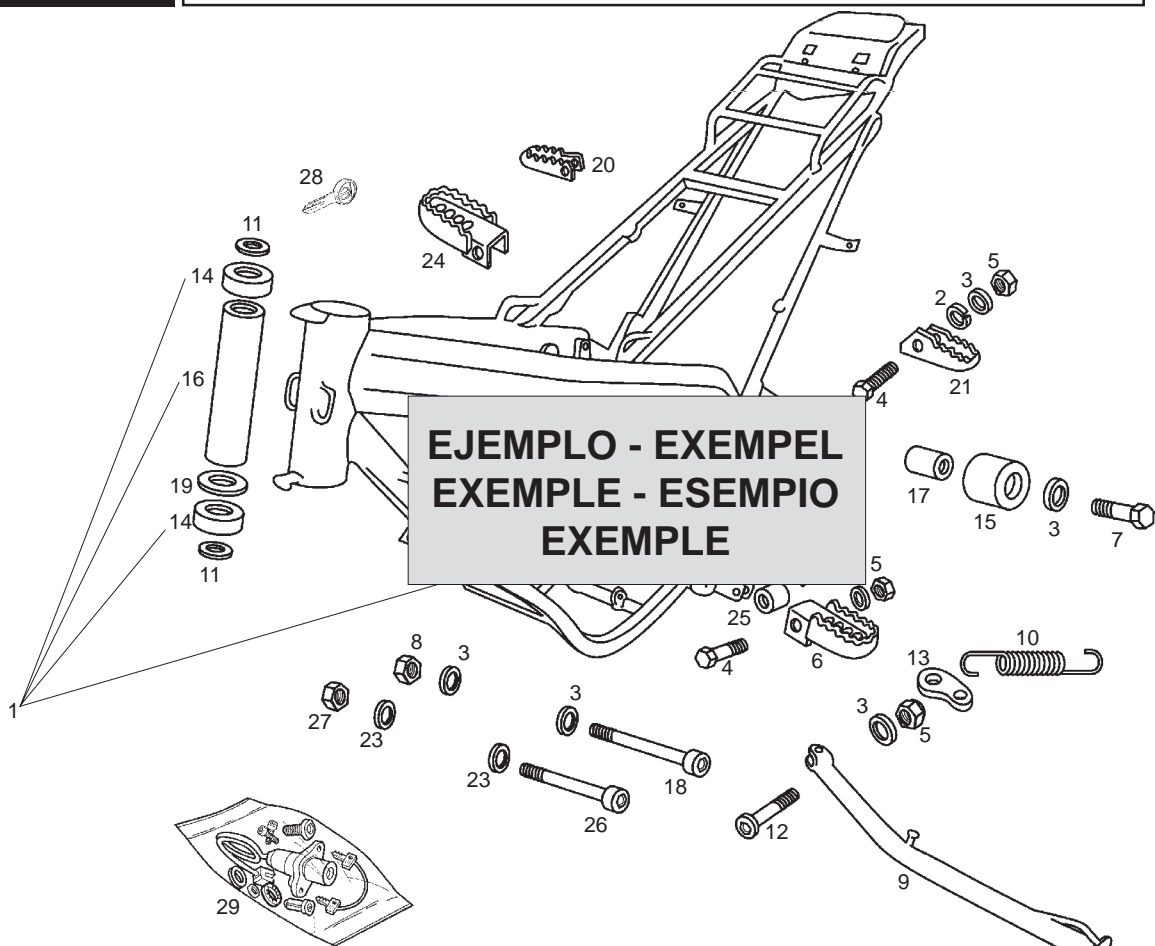


Fig.	Ver.	COD. KOD.	DESCRIPCIÓN DENOMINAZIONE NAME	BEZEICHUNG DESIGNATION	MOD.	NOTAS NOTES MITSCHRIFT NOTES
	01A	00G01924601	R-SCTO.CUADRO C/COJIN. ATLANTIS TELAIO FRAME SUB-ASSEMBLY	RHAMEN CADRE COMPLET	12	XXXXXXX
2	01A 01	00G01924601	R-SCTO.CUADRO C/COJIN. ATLANTIS TELAIO FRAME SUB-ASSEMBLY	RHAMEN CADRE COMPLET	12	XXXXXXX
3	01A 02	00G01924601	R-SCTO.CUADRO C/COJIN. ATLANTIS TELAIO FRAME SUB-ASSEMBLY	RHAMEN CADRE COMPLET	12	XXXXXXX
4	01A 03	00G01924601	R-SCTO.CUADRO C/COJIN. ATLANTIS TELAIO FRAME SUB-ASSEMBLY	RHAMEN CADRE COMPLET	12	XXXXXXX

1- Código de localización de piezas. 2- Código indicativo de pieza reemplazada. 3- Código indicativo de pieza anulada. 4- Código indicativo de pieza restituida (esta se monta de nuevo). 5- Código de referencia de la pieza. 6- Identificación de modelos. 7- Los códigos de esta casilla indican que, a partir del número de chasis o motor indicado dentro de esta, se monta una nueva pieza que reemplaza a la anterior (sección 2), que una pieza no se monta (sección 3), o que la pieza anulada se monta de nuevo (sección 4), y concierne a los modelos indicados (sección 6). 8- Denominación de la pieza.

1- Codice di localizzazione pezzi. 2- Codice indicatore del pezzo sostituito. 3- Il pezzo precedente non si monta. 4- Codice indicatore dei pezzi che si tornano a montare. 5- Codice di identificazione del pezzo. 6- Identificazione del modello. 7- Il codice di questa casella indica che, dal numero di Telaio/motore indicato, si monta un nuovo pezzo che sostituisce il precedente (sezione 2), che un pezzo non si monta (sezione 3), oppure che il pezzo annullato si monta di nuovo (sezione 4), facendo riferimento al modello indicato (sezione 6). 8- Denominazione del pezzo.

1- Part location number. 2- Substituted part number. 3- Withdrawn part number (no longer fitted). 4- Restored part number (newly fitted geing withdrawn). 5- Part reference number. 6- Model identification number. 7- Chassis or engine number from which a new part is fitted substituting a part which has been withdrawn (see para 2) or a part is withdrawn is fitted again (see para 4), in the models indicated (see para 6). 8- Part identification label.

1- Zeichungs - Number. 2- Ausführung. 3- Gestrichene Ersatzteilnummer. 4- Ersetzte Ersatzteilnummer. 5- Ersatzteilnummer. 6- Modell - Nummer. 7- Rhamen - order motonummer, für die ein neues teil eingestzt wird, z.b. eine nummer, die geändert (s. para 2), order ein teil, das gestrichen wurde (s. para 3), order ein teil, das vorübergehend verschiedene modelle (s. para 6) 8- Bezeichnung.

1- Code de localisation de la pièce. 2- Code indicateur de pièce remplace par un autre. 3- Code indicateur de pièce annulé (elle n'est plus montée). 4- Code indicateur de pièce restituée (elle se monte à nouveau). 5- Code référence de la pièce. 6- Les codes de cette case indiquant qu'à partir de numero 7- Chassis ou de moteur indiqué, un nouvelle pièce est montée en remplacement d'une autre (section 2), qu'une pièce n'est plus montée (section 3) ou la pièce anulée est montée à nouveau (section 4) et concernant les modélés indiqués (section 6). 8- Denomination de la pièce.

**IDENTIFICACION DE MODELOS REPRESENTADOS EN ESTE
CATALOGO SEGUN LOS DIGITOS SIGUIENTES**

**IDENTIFICAZIONE DEI MODELLI RAPPRESENTATI IN QUESTO CATALOGO
SECONDO I NUMERI A SEGUIRE**

**THE MODELS REFERRED INTO THIS CATALOGUE ARE IDENTIFIED
BY FOLLOWING NUMBERS**

BESTIMMUNG DER VERSCHIEDENEN MODELLE IN DIESEM KATALOG

**IDENTIFICATION DES MODELOES REPRESENTES DANS CE CATALOGUE,
EN FONCTION DES CODES SUIVANTS**

MODELO MODELLI MODEL MODELL MODELE	DENOMINACION DENOMINAZIONE MODEL NAME BEZEICHNUNG DENOMINATION	CODIGO MODELO CODICE MODELLI CODE MODEL KODE MODELL CODE MODELE
1	SENDA R X-RACE ESPAÑA NEGRO/ROJO 2006 E2 SENDA R X-RACE FRANCE BLACK/RED 2006 E2 SENDA R X-RACE ENGLAND BLACK/RED 2006 E2 SENDA R X-RACE ITALY BLACK/RED 2006 E2	E92H43E630 E92H43F630 E92H43G630 E92H43I630
2	SENDA R X-RACE AUSTRIA BLACK/RED 2006 E2 SENDA R X-RACE BENELUX BLACK/RED 2006 E2	E92H43U630 E92H43X630
3	SENDA R X-RACE SCANDINAVIA BLACK/RED 2006 E2	E92H43V630
4	SENDA R X-RACE ESPAÑA AZUL/BLANCO 2006 E2 SENDA R X-RACE FRANCE BLUE/WHITE 2006 E2 SENDA R X-RACE ENGLAND BLUE/WHITE 2006 E2 SENDA R X-RACE ITALY BLUE/WHITE 2006 E2	E92H43E640 E92H43F640 E92H43G640 E92H43I640
5	SENDA R X-RACE AUSTRIA BLUE/WHITE 2006 E2 SENDA R X-RACE BENELUX BLUE/WHITE 2006 E2	E92H43U640 E92H43X640
6	SENDA R X-RACE SCANDINAVIA BLUE/WHITE 2006 E2	E92H43V640
7	SENDA R X-RACE ESPAÑA NEGRO/AZUL 2006 E2 SENDA R X-RACE FRANCE BLACK/BLUE 2006 E2 SENDA R X-RACE ENGLAND BLACK/BLUE 2006 E2 SENDA R X-RACE ITALY BLACK/BLUE 2006 E2	E92H43E680 E92H43F680 E92H43G680 E92H43I680

**IDENTIFICACION DE MODELOS REPRESENTADOS EN ESTE
CATALOGO SEGUN LOS DIGITOS SIGUIENTES**

**IDENTIFICAZIONE DEI MODELLI RAPPRESENTATI IN QUESTO CATALOGO
SECONDO I NUMERI A SEGUIRE**

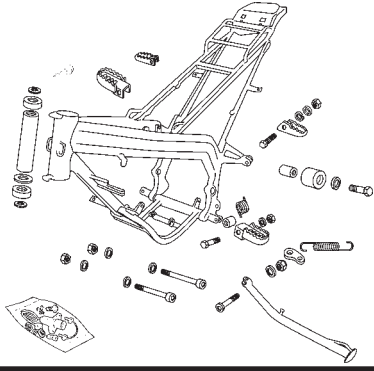
**THE MODELS REFERRED INTO THIS CATALOGUE ARE IDENTIFIED
BY FOLLOWING NUMBERS**

BESTIMMUNG DER VERSCHIEDENEN MODELLE IN DIESEM KATALOG

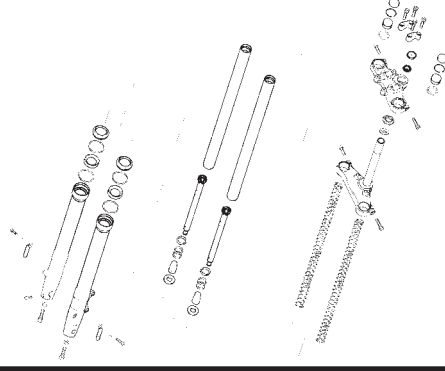
**IDENTIFICATION DES MODELOES REPRESENTES DANS CE CATALOGUE,
EN FONCTION DES CODES SUIVANTS**

MODELO MODELLI MODEL MODELL MODELE	DENOMINACION DENOMINAZIONE MODEL NAME BEZEICHNUNG DENOMINATION	CODIGO MODELO CODICE MODELLI CODE MODEL KODE MODELL CODE MODELE
8	SENDA R X-RACE AUSTRIA BLACK/BLUE 2006 E2 SENDA R X-RACE BENELUX BLACK/BLUE 2006 E2	E92H43U6 80 E92H43X6 80
9	SENDA R X-RACE SCANDINAVIA BLACK/BLUE 2006 E2	E92H43V6 80
A	SENDA R X-RACE ESPAÑA NARANJA 2006 E2 SENDA R X-RACE FRANCE ORANGE 2006 E2 SENDA R X-RACE ENGLAND ORANGE 2006 E2 SENDA R X-RACE ITALY ORANGE 2006 E2	E92H43E6 90 E92H43F6 90 E92H43G6 90 E92H43I6 90
B	SENDA R X-RACE AUSTRIA ORANGE 2006 E2 SENDA R X-RACE BENELUX ORANGE 2006 E2	E92H43U6 90 E92H43X6 90
C	SENDA R X-RACE SCANDINAVIA ORANGE 2006 E2	E92H43V6 90
D	SENDA R X-RACE ESPAÑA NEGRO/BLANCO 2006 E2 SENDA R X-RACE FRANCE BLACK/WHITE 2006 E2 SENDA R X-RACE ENGLAND BLACK/WHITE 2006 E2 SENDA R X-RACE ITALY BLACK/WHITE 2006 E2	E92H43E6 82 E92H43F6 82 E92H43G6 82 E92H43I6 82
E	SENDA R X-RACE AUSTRIA BLACK/WHITE 2006 E2 SENDA R X-RACE BENELUX BLACK/WHITE 2006 E2	E92H43U6 82 E92H43X6 82
F	SENDA R X-RACE SCANDINAVIA BLACK/WHITE 2006 E2	E92H43V6 82

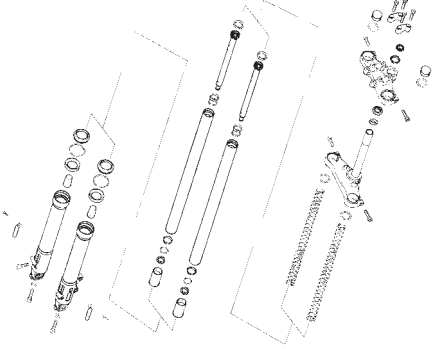
LAMINA / STAMPA / DIAGRAM / BILD / FEUILLE - 1



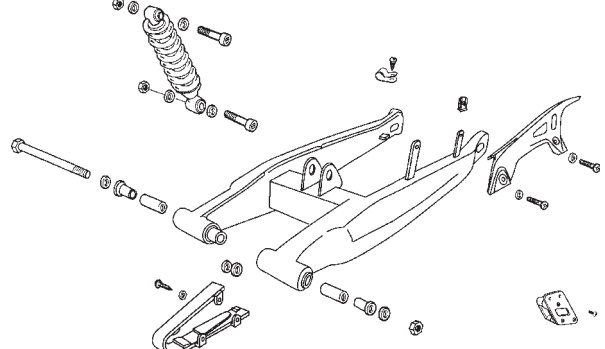
LAMINA / STAMPA / DIAGRAM / BILD / FEUILLE - 2A



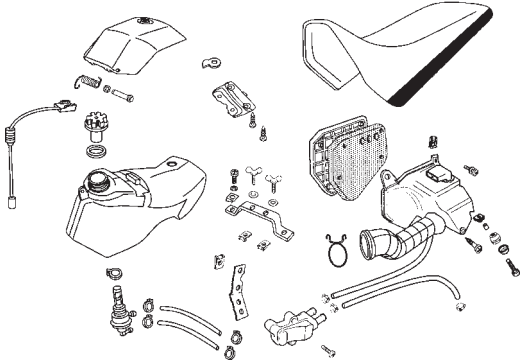
LAMINA / STAMPA / DIAGRAM / BILD / FEUILLE - 2A



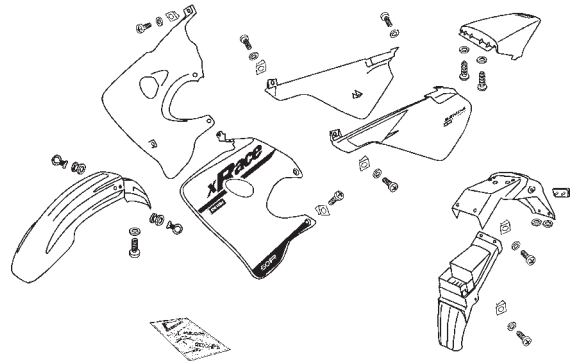
LAMINA / STAMPA / DIAGRAM / BILD / FEUILLE - 3



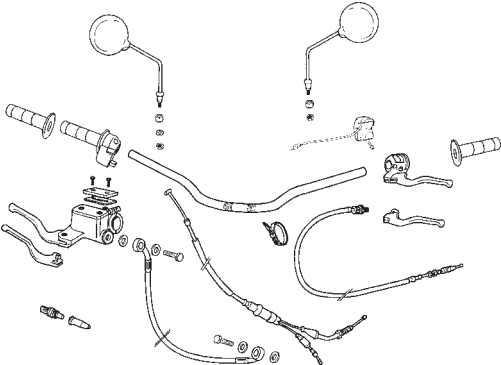
LAMINA / STAMPA / DIAGRAM / BILD / FEUILLE - 4



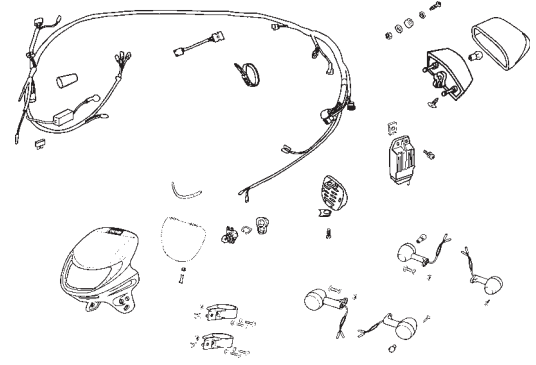
LAMINA / STAMPA / DIAGRAM / BILD / FEUILLE - 5



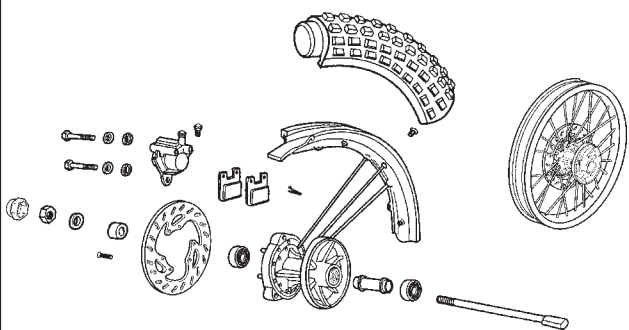
LAMINA / STAMPA / DIAGRAM / BILD / FEUILLE - 6



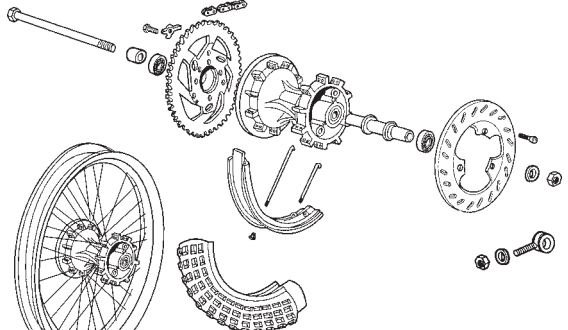
LAMINA / STAMPA / DIAGRAM / BILD / FEUILLE - 7



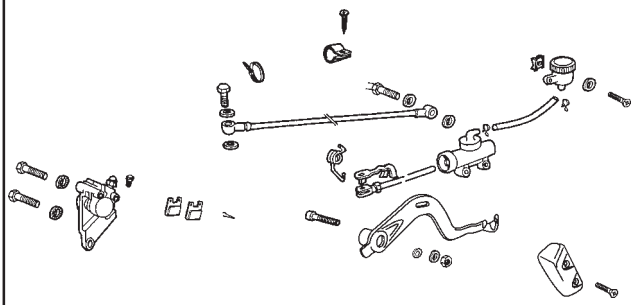
LAMINA / STAMPA / DIAGRAM / BILD / FEUILLE - 8



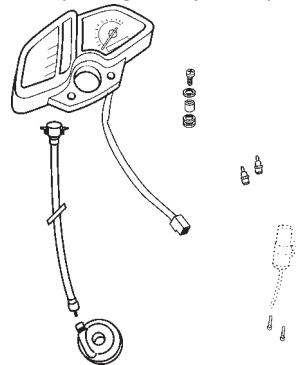
LAMINA / STAMPA / DIAGRAM / BILD / FEUILLE - 9



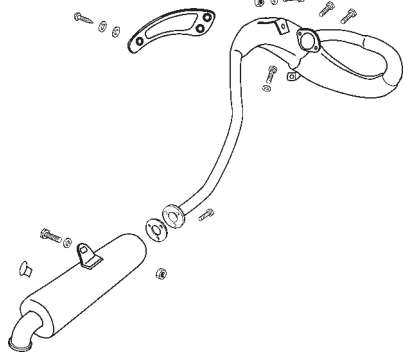
LAMINA / STAMPA / DIAGRAM / BILD / FEUILLE - 10



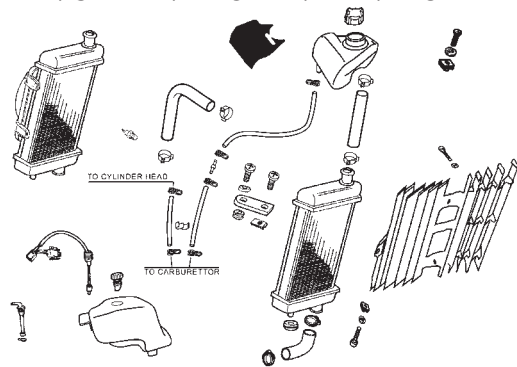
LAMINA / STAMPA / DIAGRAM / BILD / FEUILLE - 11



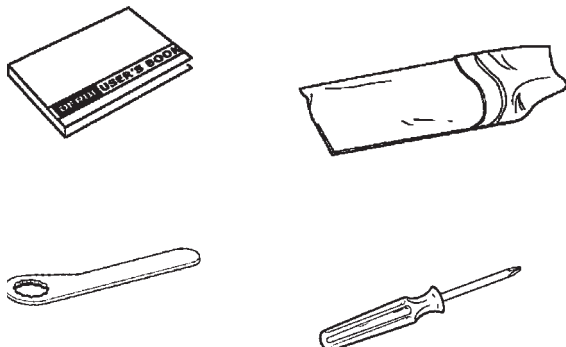
LAMINA / STAMPA / DIAGRAM / BILD / FEUILLE - 12



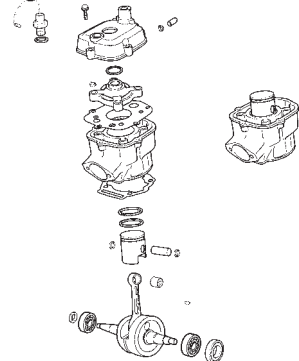
LAMINA / STAMPA / DIAGRAM / BILD / FEUILLE - 13



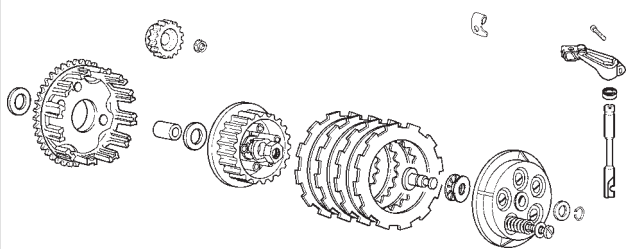
LAMINA / STAMPA / DIAGRAM / BILD / FEUILLE - 14



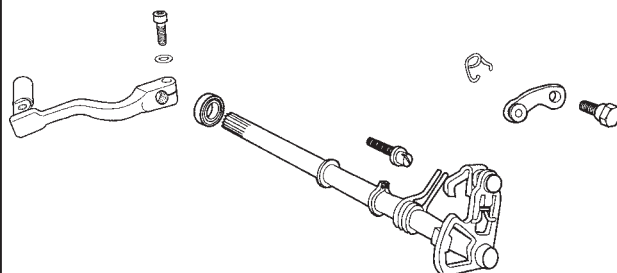
LAMINA / STAMPA / DIAGRAM / BILD / FEUILLE - 15



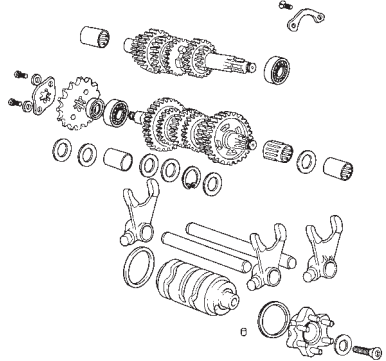
LAMINA / STAMPA / DIAGRAM / BILD / FEUILLE - 16



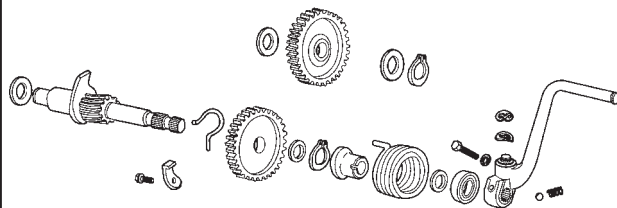
LAMINA / STAMPA / DIAGRAM / BILD / FEUILLE - 17



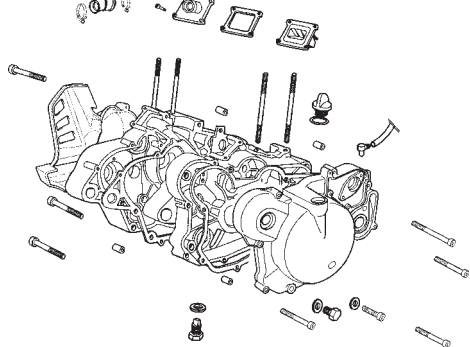
LAMINA / STAMPA / DIAGRAM / BILD / FEUILLE - 18



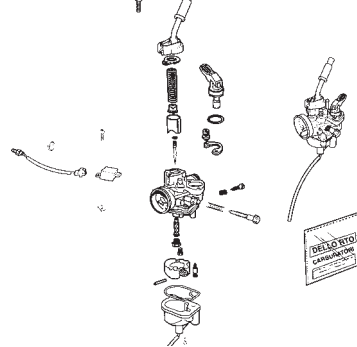
LAMINA / STAMPA / DIAGRAM / BILD / FEUILLE - 19



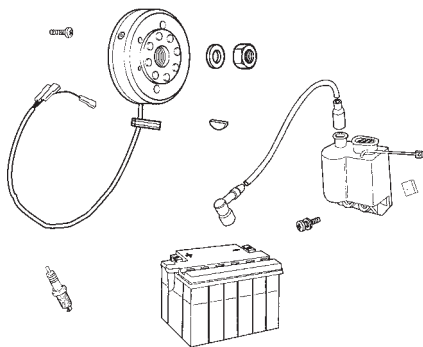
LAMINA / STAMPA / DIAGRAM / BILD / FEUILLE - 20



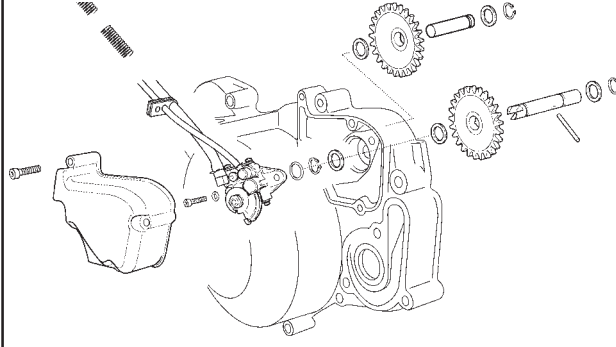
LAMINA / STAMPA / DIAGRAM / BILD / FEUILLE - 21



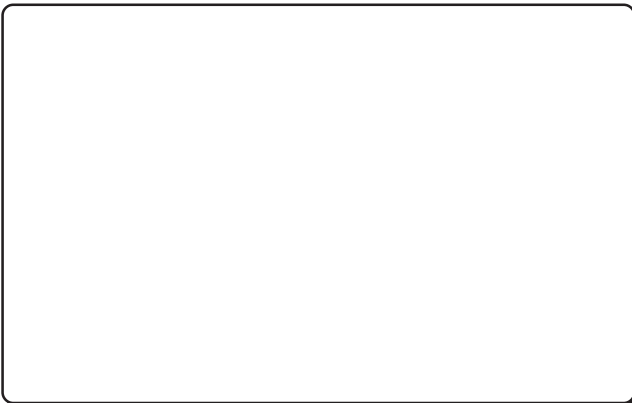
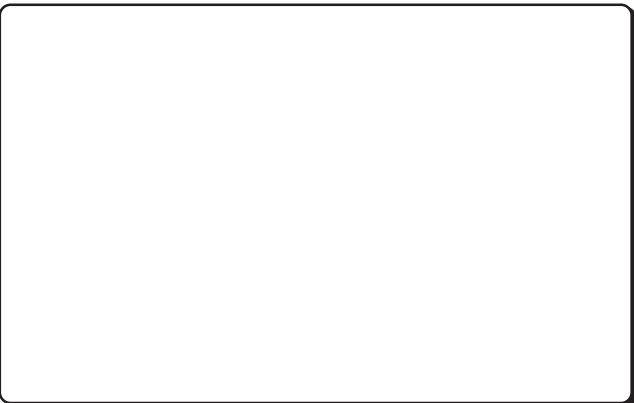
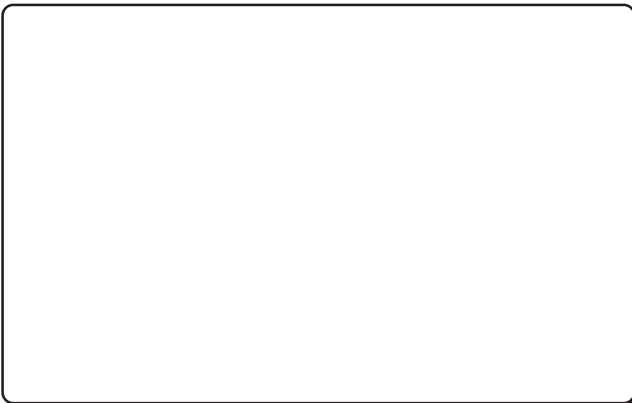
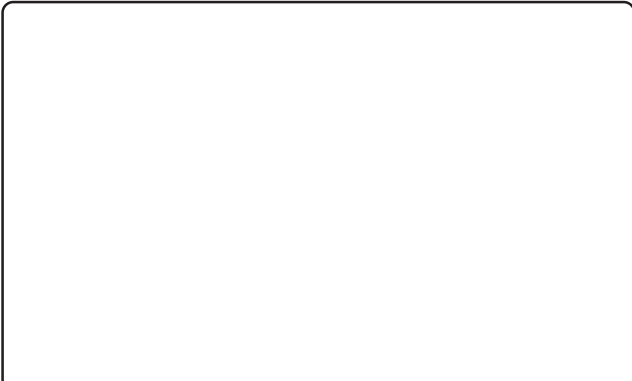
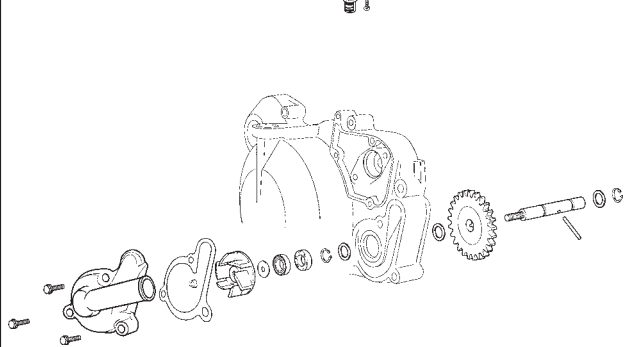
LAMINA / STAMPA / DIAGRAM / BILD / FEUILLE - 22



LAMINA / STAMPA / DIAGRAM / BILD / FEUILLE - 23



LAMINA / STAMPA / DIAGRAM / BILD / FEUILLE - 24



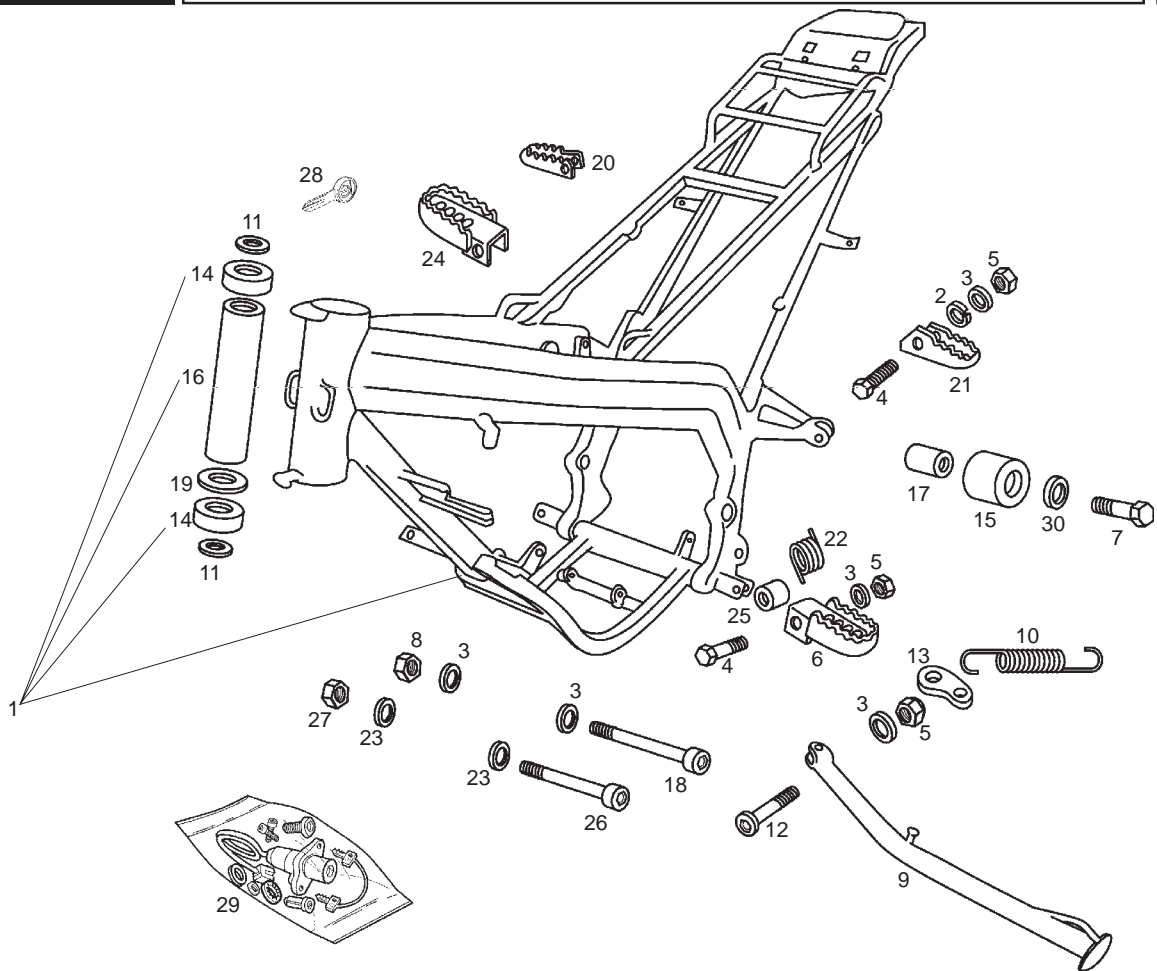


Fig.	Ver.	COD. KOD.	DESCRIPCIÓN DENOMINAZIONE NAME	BEZEICHUNG DESIGNATION	MOD.	NOTAS NOTES NOTA MITSCHRIFT NOTES
01A		00H01961601	R-CTO CUADRO CON RODAMIENTOS TELAIO FRAME	RAHMEN SOUS ENSEMBLE CADRE	123456 789ABC DEF	
02A		00036008000	ARANDELA MUELLE RONDELLA WASHER	SCHEIBE RONDELLE	123456 789ABC DEF	
03A		00402080001	ARANDELA D8 RONDELLA WASHER	SCHEIBE RONDELLE	123456 789ABC DEF	
04A		00022084021	TORNILLO C/EXAG. 8M125X40 VITE SCREW	SCHRAUBE VIS	123456 789ABC DEF	
05A		00023108000	TUERCA AUTOBLOCANTE 8M125 DADO NUT	MUTTER ECROU	123456 789ABC DEF	
06A		00H02201312	SCTO. ESTRIBERA IZQUIERDA PILOTO APPOG. SIN. LEFT FOOTREST	FUSSRASTER LINKS REPOSE PIED GAUCHE	123456 789ABC DEF	
07A		00022084521	TORNILLO C/EXAG. 8M125X45 VITE SCREW	SCHRAUBE VIS	123456 789ABC DEF	
08A		00262080022	TUERCA AUTOBLOCANTE 8M125 DADO NUT	MUTTER ECROU	123456 789ABC DEF	
09A		00H00819011	SCTO PATA CABALLETE ZAMPA CAVALETTO SIDE STAND SUB-ASSY	SEITENSTANDER BEQUILLE LATERALE	123456 789ABC DEF	
10A		00H00803082	MUELLE PATA CABALLETE MOLLA ZAMPA CAVALLETTO SIDE STAND SPRING	FEDER GESTELLFUSS AUSSEN RESSORT DE BEQUILLE	123456 789ABC DEF	
11A		00008902630	ARANDELA RONDELLA WASHER	SCHEIBE RONDELLE	123456 789ABC DEF	UNTIL FRAME 6H342746

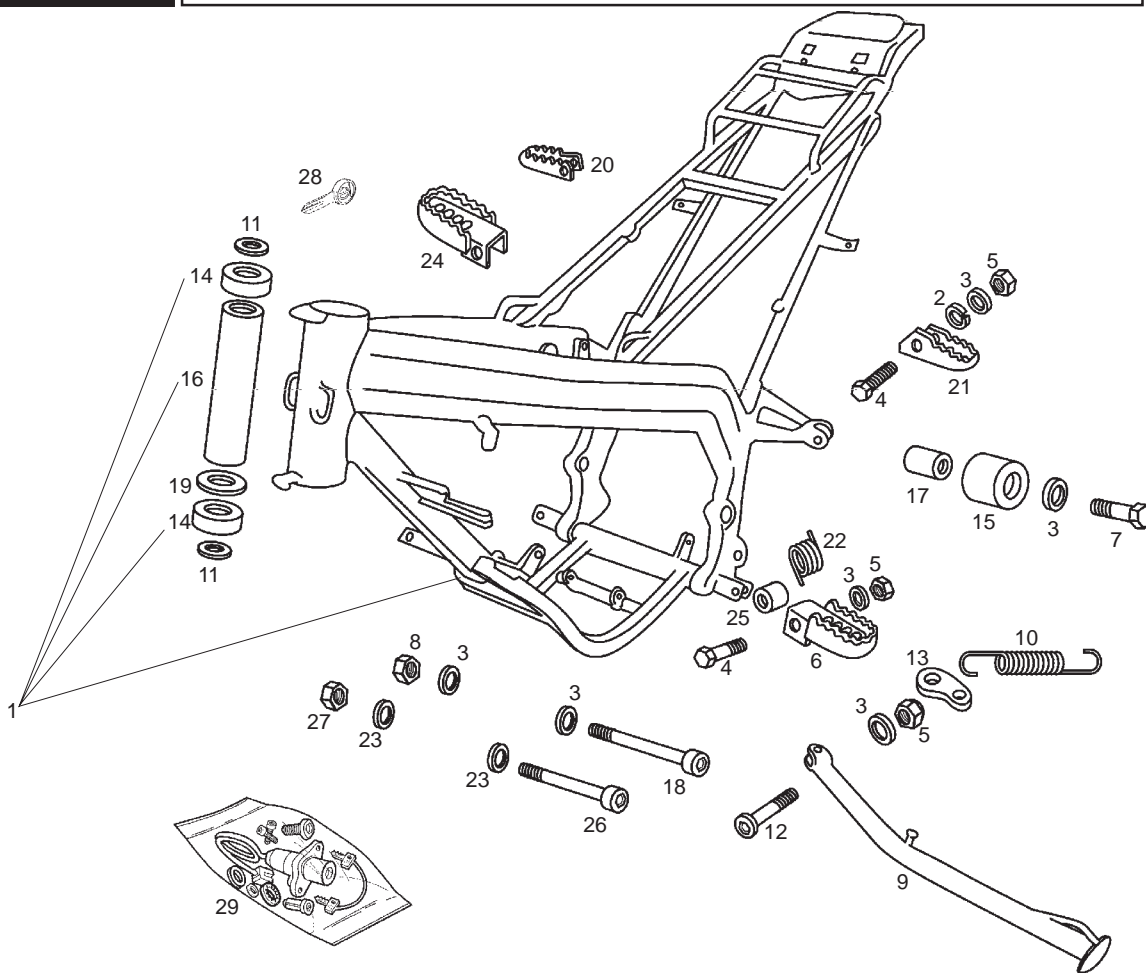


Fig.	Ver.	COD. KOD.	DESCRIPCIÓN DENOMINAZIONE NAME	BEZEICHNUNG DESIGNATION	MOD.	NOTAS NOTES NOTA MITSCHRIFT NOTES
12A		00H00805072	TORNILLO FIJ. PATA CABALLETE VITE SCREW	SCHRAUBE VIS	123456 789ABC DEF	
13A		00H00800422	PLACA RETORNO CABALLETE PIASTRINA RITORNO CAVALLETTO G SPRING KIK-STAND SUPPORT	PLATTE F. GESTELLRUCKFUHRU SUPPORT RESSORT DE BEQUILLE	123456 789ABC DEF	
14A		00000056205	COJINETE CUSCINETTO BEARING	LAGER COUSSINET	123456 789ABC DEF	
15A		00H01801771	RODILLO TENSOR CADENA RULLO TENSORE CATENA CHAIN SUPPORTY GUIDE	ROLLE ROULETTE GUIDE CHAINE	123456 789ABC DEF	
16A		00H06301401	TUBO SEPARADOR RDMTO.DIRECC. TUBO SEPARAZIONE CUSCINETTO ST STEERING BEARING SEPARATOR TUB	DISTANZROHR LENKUNGLAGER TUBE SEPARATION ROULEMENT	123456 789ABC DEF	
17A		00002518790	CASQUILLO GUIA CADENA GHIERA SOCKET CHAIN GUIDE	DISTANZ ENTRETOISE GUIDE CHAINE	123456 789ABC DEF	
18A		00H02500272	TORNILLO FIJ. INF.MOTOR ALL.8M125X90 VITE SCREW	SCHRAUBE VIS	123456 789ABC DEF	
19A		00H06500451	ARANDELA COJIN.TUBO DIRECCION RONDELLA BRONZINA TUBO STERZO STEERING TUBE BEARING WASHER G	STEERING TUBE BEARING WASHER G RONDELLE COUSSINET TUBE DIRECT	123456 789ABC DEF	
20A		00D01520096	ESTRIBERA DERECHA PASAJERO PEDANA DESTRA RIGHT FOOT REST	FUSSRASTER RECHTS REPOSE-PIED DROIT	123456 789ABC DEF	
21A		00D01540456	ESTRIBERA IZQUIERDA PASAJERO PEDANA SINISTRA LEFT FOOT REST	FUSSRASTER LINKS REPOSE-PIED GAUCHE	123456 789ABC DEF	
22A		00H04903292	MUELLE FIJACION ESTRIBERA MOLLA FISSAGGIO PREDELLINO PILLION FOOTREST SECURING	FEDER RESSORT	123456 789ABC DEF	

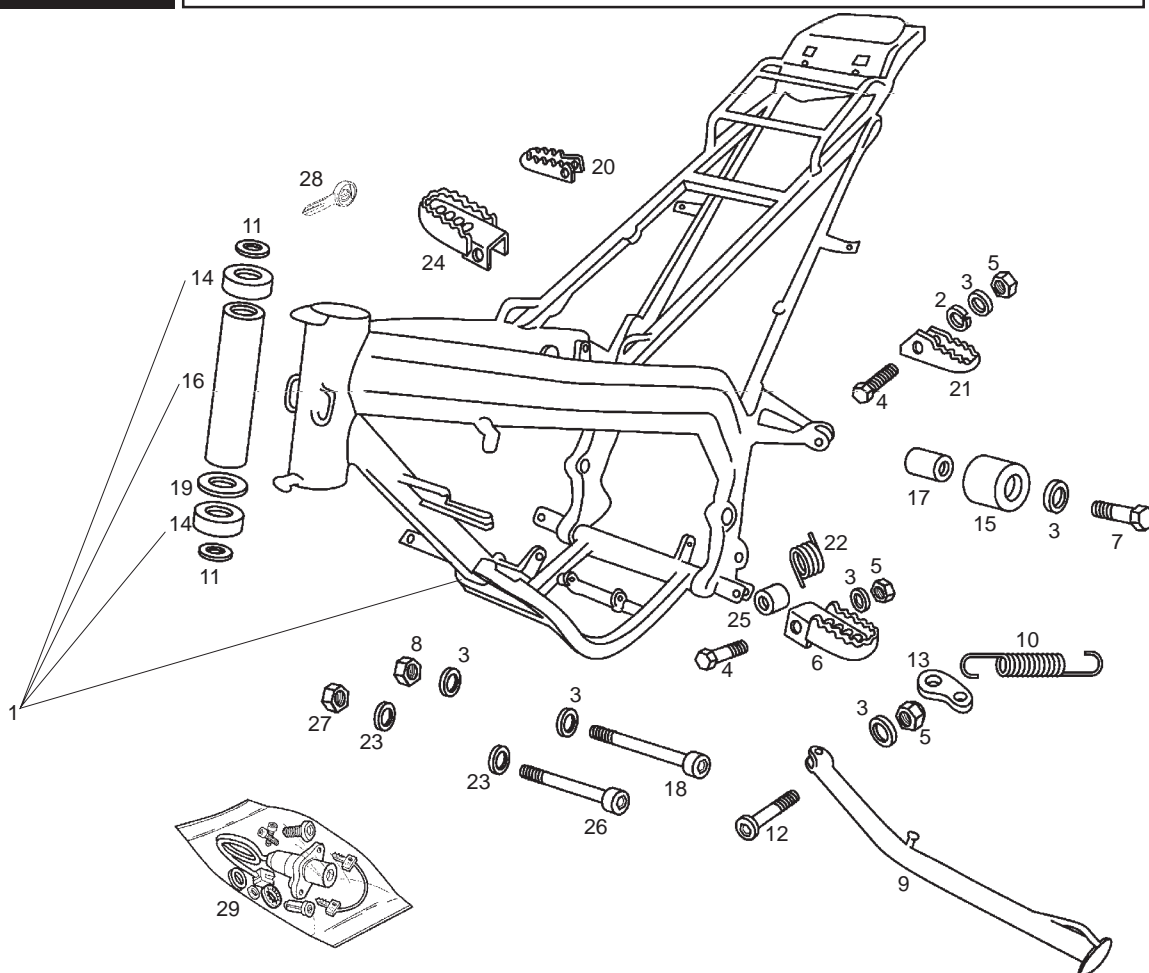
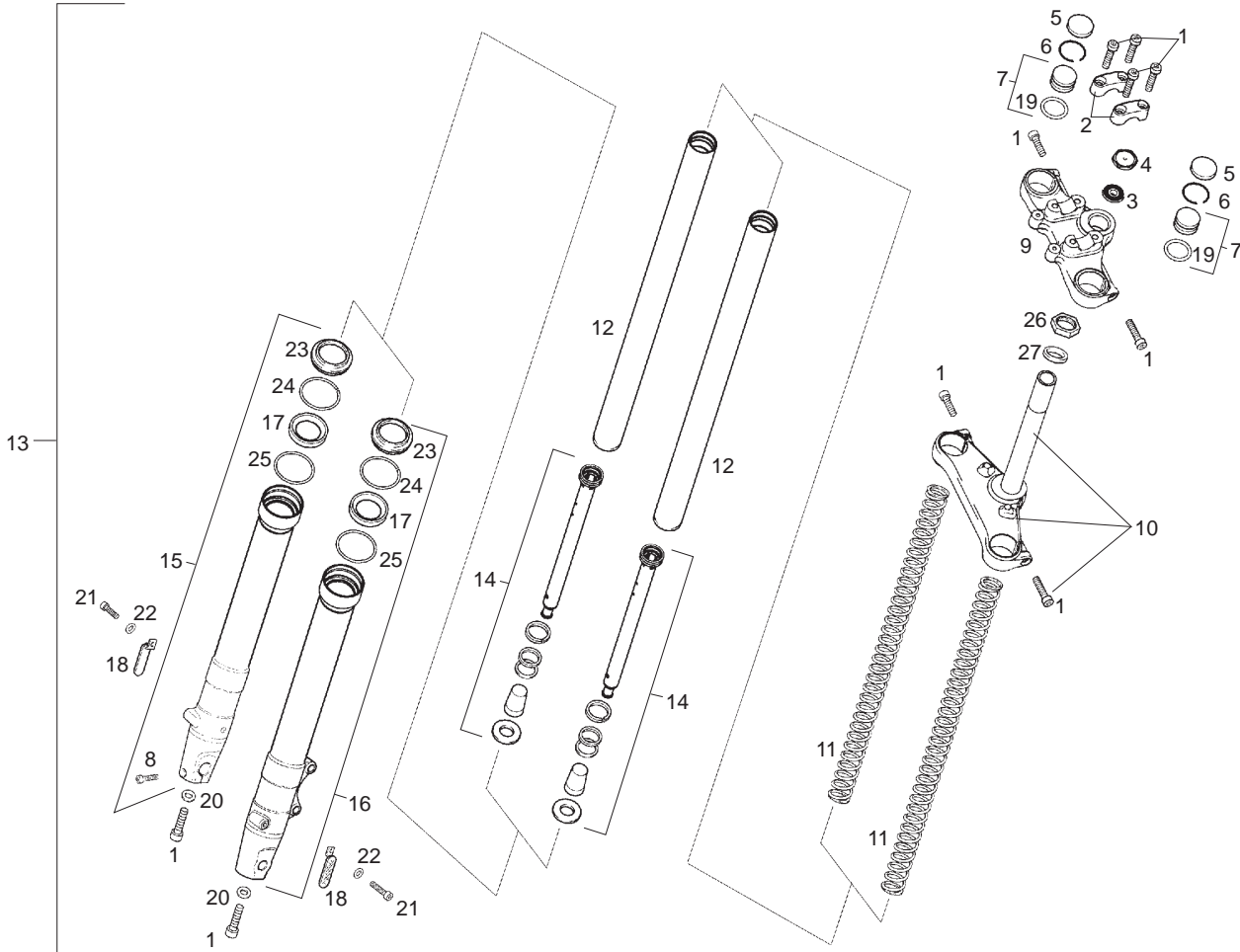


Fig.	Ver.	COD. KOD.	DESCRIPCIÓN DENOMINAZIONE NAME	BEZEICHNUNG DESIGNATION	MOD.	NOTAS NOTES NOTA MITSCHRIFT NOTES
23A		00402100001	ARANDELA PLANA D10 RONDELLA WASHER	SCHEIBE RONDELLE	123456 789ABC DEF	
24A		00H02201302	SCTO. ESTRIBERA DERECHA PILOTO APOG.DES. RIGHT FOOTREST	FUSSRASTER RECHTS REPOSE PIED DROIT	123456 789ABC DEF	
25A		00002215152	CASQUILLO FIJACION ESTRIBERA GIUNTO SEAL	DICHTRING JOINT	123456 789ABC DEF	
26A		00H03000272	TORNILLO FIJ.DT.MTO.ALL.10M150X100 VITE SCREW	SCHRAUBE VIS	123456 789ABC DEF	
27A		00262100032	TUERCA AUTOBLOCANTE 10M150 DADO NUT	MUTTER ECROU	123456 789ABC DEF	
28A		00F01811411	R-LLAVE CERRADURAS.P/MEC. CHIAVE LOCK KEYS	SCHLUSSEL CLEF	123456 789ABC DEF	
29A		00H05908251	R-CTO. KIT CERRDADURAS SIN LEVAS SERRATURE SENZA LEVA LOCK WITH KEYS WITHOUT LEVER	SCHLOOS-SATZ OHNE VERSCHLUSSH. ENS. KIT SERRURES SANS LEVIER	123456 789ABC DEF	
30A		00003306570	ARANDELA FIJACION RONDELLA WASHER	SCHEIBE RONDELLE	123456 789ABC DEF	



MARZOCCHI

Fig.	Ver.	COD. KOD.	DESCRIPCIÓN DENOMINAZIONE NAME	BEZEICHNUNG DESIGNATION	MOD.	NOTAS NOTES NOTA MITSCHRIFT NOTES
01A		00000004830	TORNILLO M8X30 VITE SCREW	SCHRAUBE VIS	123456 789ABC DEF	UNTIL FRAME 6H342746
02A		00H00209741	R-PUENTE FIJACION MANILLAR FLANGIA CLAMP	BEF.-SCHELLE ENTRETOISE	123456 789ABC DEF	UNTIL FRAME 6H342746
03A		00H00202761	R-TAPON GUARDAPOLVO TIJA DIRECCION PARAPOLVERE SUPL.DUSTGUARD	STAUBFANGER POUSSIÈRE	123456 789ABC DEF	UNTIL FRAME 6H342746
04A		00H00206601	R-TUERCA PLATINA SUPERIOR DADO NUT	MUTTER ECROU	123456 789ABC DEF	UNTIL FRAME 6H342746
05A		00H02004541	R-TAPA TAPON TUBO PIERNA TAPPO RESERVOIR	STOPFEN BOUCHON	123456 789ABC DEF	UNTIL FRAME 6H342746
06A		00H00205501	R-ANILLO TORICO TAPON TUBO PNA. ANELLO TORICO O-RING	O-RING JOINT DE JAUGE	123456 789ABC DEF	UNTIL FRAME 6H342746
07A		00H00209271	R-CTO.TAPON PIERNA HORQ. TAPPO GAMBA FORCELLA FORK TUBE CAP	PFROPFEN F. GABELSCHENKEL BOUCHON	123456 789ABC DEF	UNTIL FRAME 6H342746
08A		00000004635	TORNILLO M6X35 VITE SCREW	SCHRAUBE VIS	123456 789ABC DEF	UNTIL FRAME 6H342746
09A		00H00221091	R-PLATINA SUPERIOR FLANGIA SUP. FORCELLA HANDLEBAR LOCK CLAMP	BUGEL ETRIER FIX. GUIDON	123456 789ABC DEF	UNTIL FRAME 6H342746
10A		00H00220011	R-CTO. TIJA PLATINA FUSTO PIASTRA LOWER TRIPLE CLAMP	SATTELSTANGE PLATINE INF. AVEC PIVOT	123456 789ABC DEF	UNTIL FRAME 6H342746
11A		00H00219171	R-MUELLE HORQUILLA MOLLA FORCELLA FORK SPRING	GABELFEDER RESSORT DE FOURCHE	123456 789ABC DEF	UNTIL FRAME 6H342746

MARZOCCHI

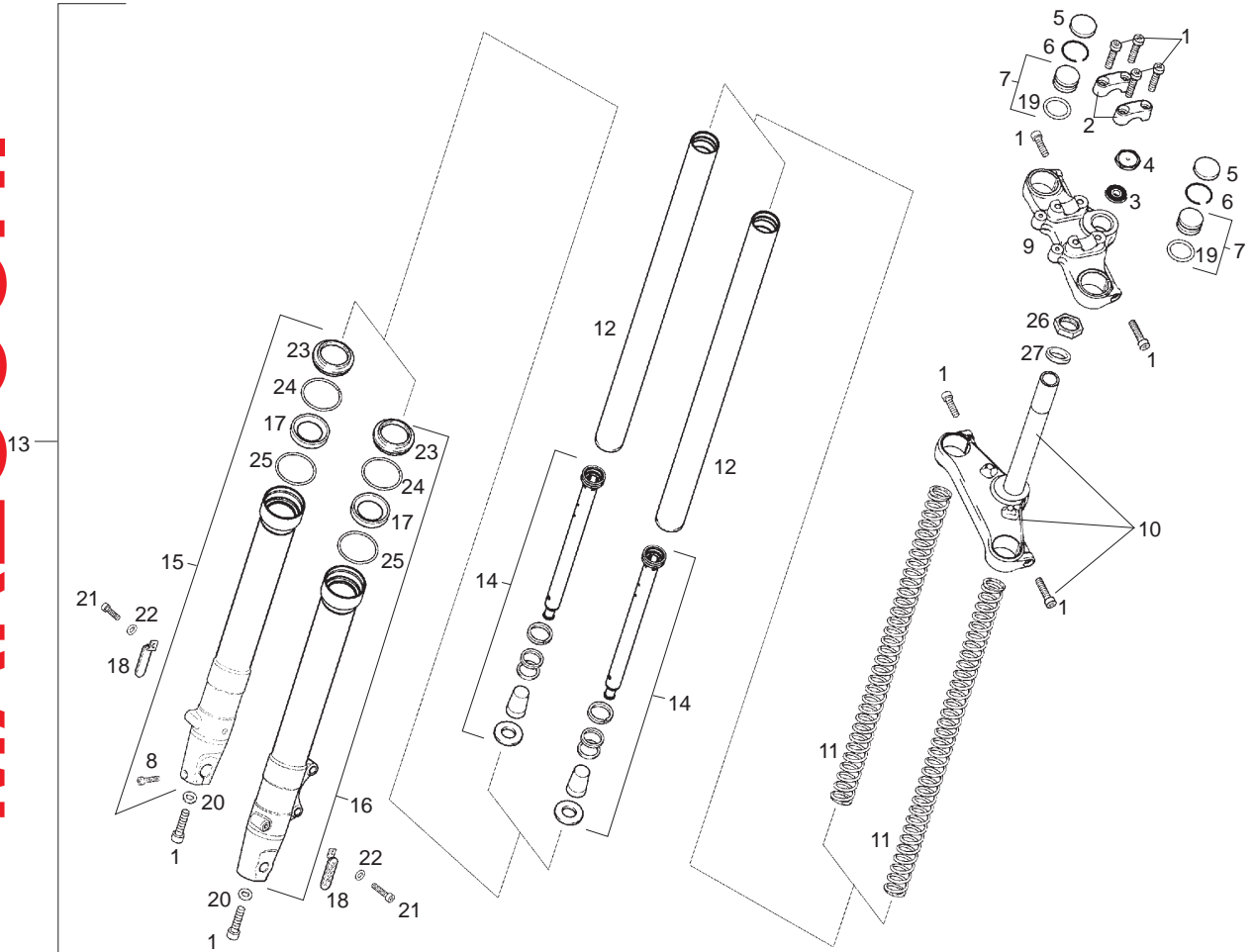
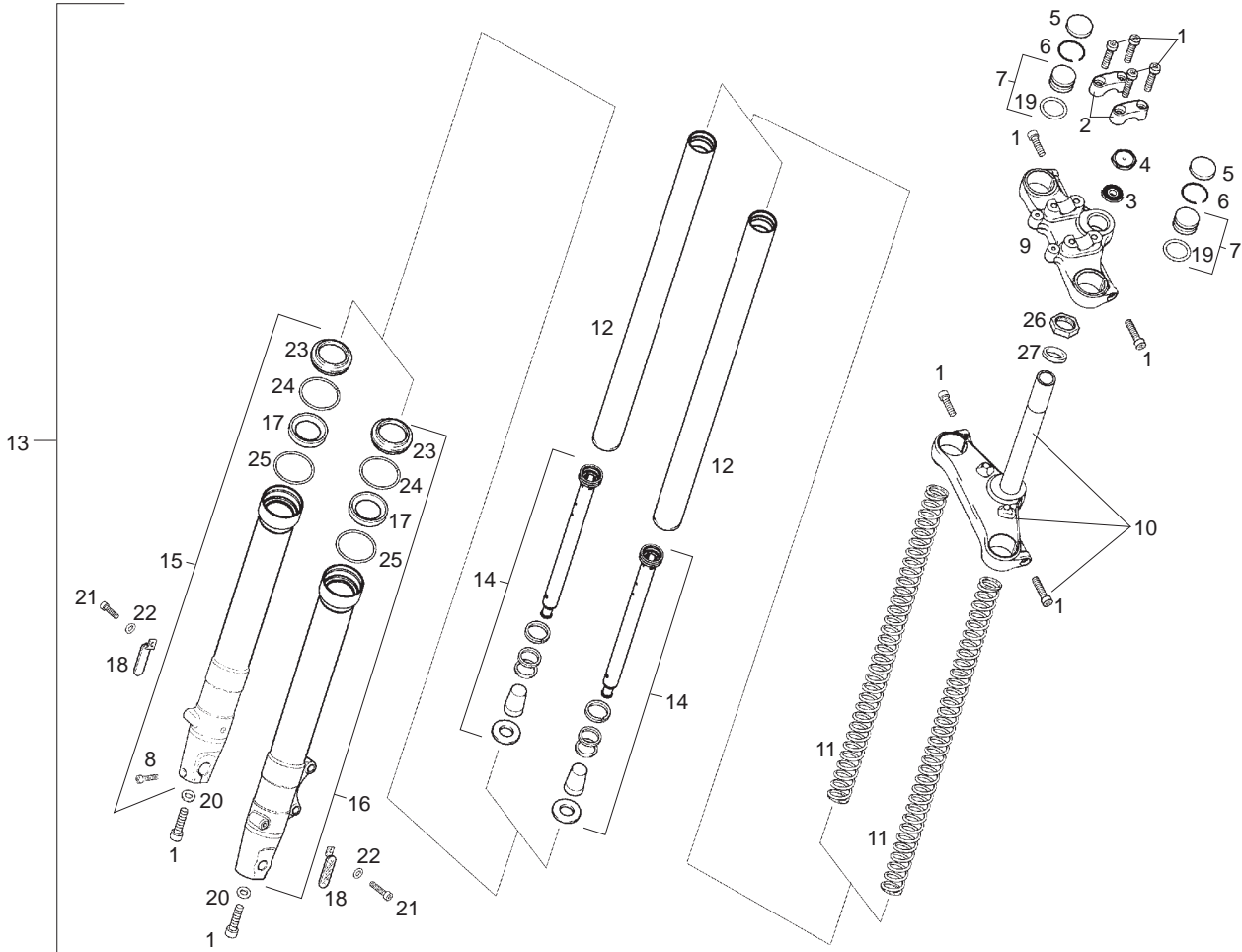


Fig.	Ver.	COD. KOD.	DESCRIPCIÓN DENOMINAZIONE NAME	BEZEICHNUNG DESIGNATION	MOD.	NOTAS NOTES NOTA MITSCHRIFT NOTES
12A		00H00208191	R-TUBO PRINCIPAL HORQUILLA BARRA GAMBA FORCELLA FORK BAR	GABELSTANKE BARRE DE FOURCHE	123456 789ABC DEF	UNTIL FRAME 6H342746
13A		00H00239001	CTO HORQUILLA DIRECTRIZ FORCELLA DIRETT FORK ASSY	LENKGABEL FOURCHE DIRITICE	123456 789ABC DEF	UNTIL FRAME 6H342746
14A		00H00211531	R-CTO TUBO HIDRAULICO TUBO IDRAULICO DAMPER TUBE	HYDRAULIKROHR TUBE HYDRAULIQUE	123456 789ABC DEF	UNTIL FRAME 6H342746
15A		00H02017031	R-CTO.PIERNA DR HORQUILLA GAMBA FORCELLA DESTRA RH. FORK TUBE LOWER	PFROPFEN F. GABELSCHENKEL RE. BOUCHON DROITE	123456 789ABC DEF	UNTIL FRAME 6H342746
16A		00H02025041	R-CTO PIERNA IZQ. HORQUILLA GAMBA FORCELLA SINIISTRA LH. FORK TUBE LOWER	PFROPFEN F. GABELSCHENKEL LI. BOUCHON GAUCHE	123456 789ABC DEF	UNTIL FRAME 6H342746
17A		00H00206471	R-RETEN PIERNA HORQUILLA GIUNTA SEAL	DICHTRING JOINT	123456 789ABC DEF	UNTIL FRAME 6H342746
18A		00H01802081	CAPTAFAROS CATARIFRANGENTE REFLECTOR	TRAHLER CATADIOPTRE	123456 789ABC DEF	UNTIL FRAME 6H342746
19A		00H00202451	R-ARANDELA TAPON TUBO PIERNA RONDELLA WASHER	SCHEIBE RONDELLE	123456 789ABC DEF	UNTIL FRAME 6H342746
20A		00000031080	ARANDELA PLANA D8 RONDELLA WASHER	SCHEIBE RONDELLE	123456 789ABC DEF	UNTIL FRAME 6H342746
21A		00008061500	TORNILLO C/RED ALLEN 6M100X16 VITE SCREW	SCHRAUBE VIS	123456 789ABC DEF	UNTIL FRAME 6H342746
22A		00031106000	ARANDELA PLANA D6 RONDELLA WASHER	SCHEIBE RONDELLE	123456 789ABC DEF	UNTIL FRAME 6H342746



MARZOCCHI

Fig.	Ver.	COD. KOD.	DESCRIPCIÓN DENOMINAZIONE NAME	BEZEICHNUNG DESIGNATION	MOD.	NOTAS NOTES NOTA MITSCHRIFT NOTES
23A		00H00207231	R-GUARDAPOLVO PIERNA HORQUILLA PARAPOLVERE DUSTGUARD	STAUBFANGER POUSSIÈRE	123456 789ABC DEF	UNTIL FRAME 6H342746
24A		00H00203701	R-ANILLO RETEN ACEITE ANELLO TORICO O-RING	O-RING JOINT DE JAUGE	123456 789ABC DEF	UNTIL FRAME 6H342746
25A		00H00202441	R-ARANDELA CASQUILLO GUIA PIERNA RONDELLA WASHER	SCHEIBE RONDELLE	123456 789ABC DEF	UNTIL FRAME 6H342746
26A		00G00200112	TUERCA FIJACION TIJA DADO NUT	MUTTER ECROU	123456 789ABC DEF	UNTIL FRAME 6H342746
27A		00D00200761	R-GUARDAPOLVO DIRECCION PARAPOLVERE DUSTGUARD	STAUBFANGER POUSSIÈRE	123456 789ABC DEF	UNTIL FRAME 6H342746

PAIOLI Ø37

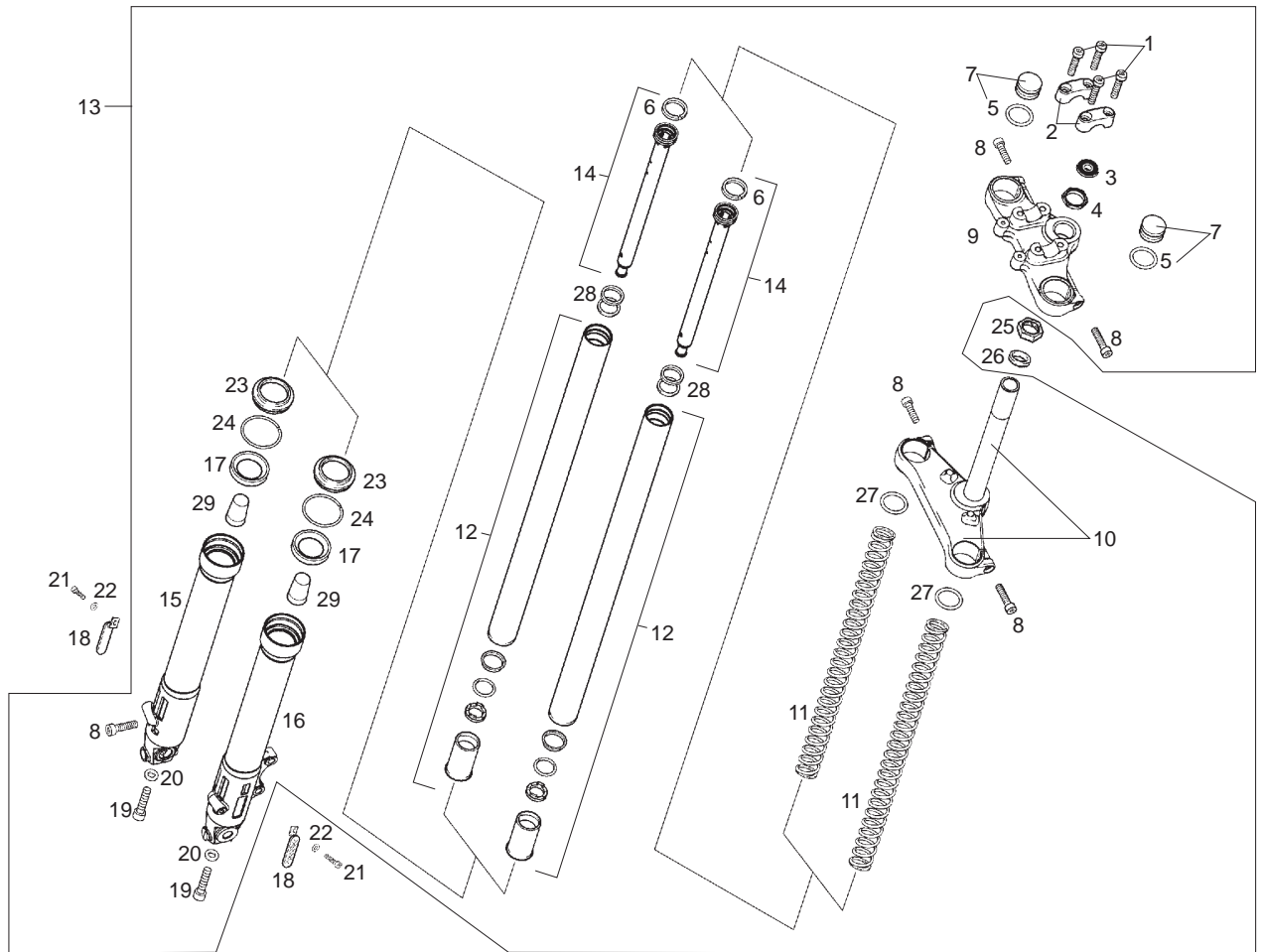
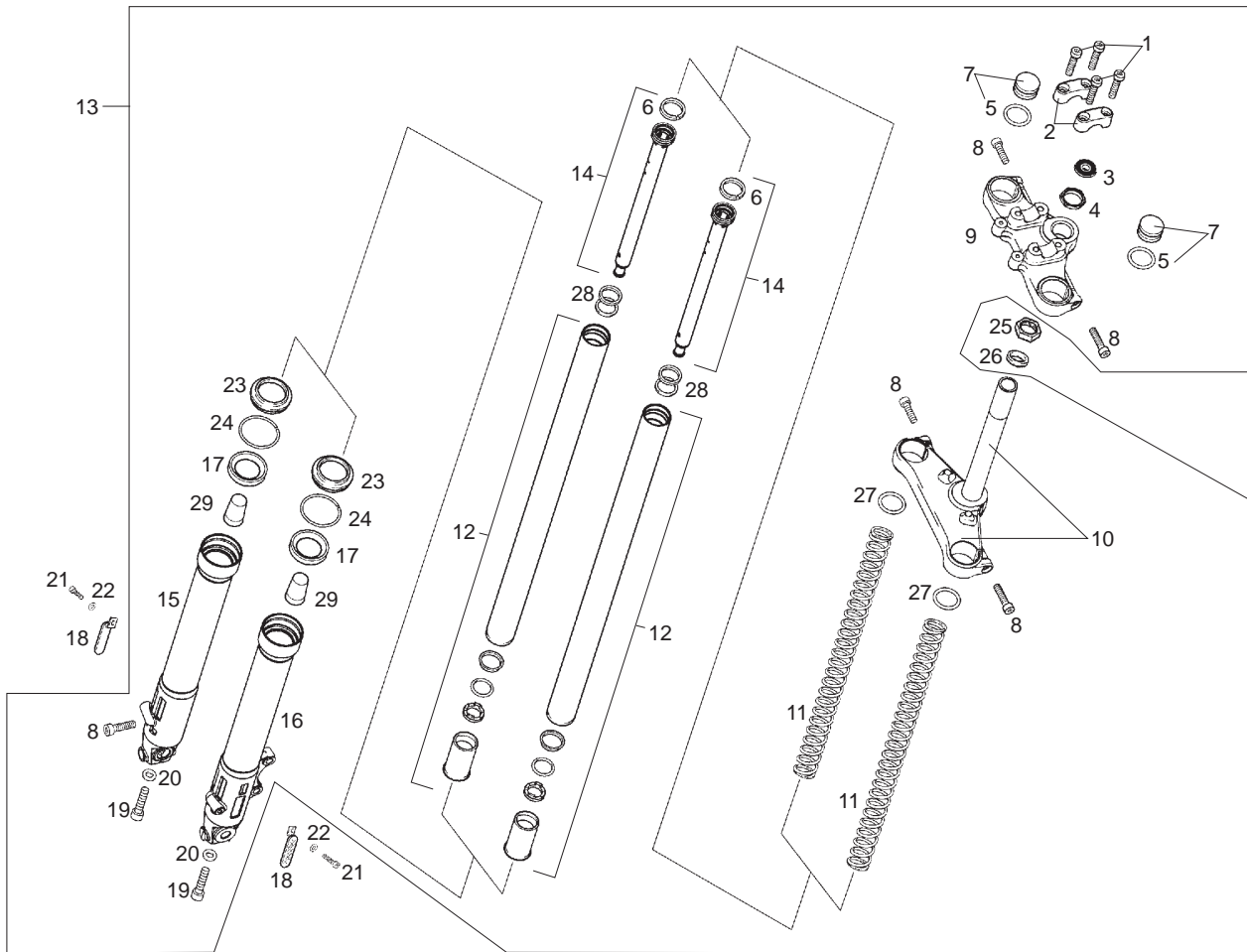


Fig.	Ver.	COD. KOD.	DESCRIPCIÓN DENOMINAZIONE NAME	BEZEICHNUNG DESIGNATION	MOD.	NOTAS NOTES NOTA MITSCHRIFT NOTES
01A		863143	TORNILLO M8X40 VITE SCREW	SCHRAUBE VIS	1 2 3 4 5 6 7 8 9 ABC DEF	SINCE FRAME 6H342747
02A		863144	PUENTE FIJACION MANILLAR CAVALLOTTO CLAMP	BEF.-SCHELLE ENTRETOISE	1 2 3 4 5 6 7 8 9 ABC DEF	SINCE FRAME 6H342747
03A		863145	GUARDAPOLVO PARAPOLVERE DUSTGUARD	STAUBFANGER POUSSIERE	1 2 3 4 5 6 7 8 9 ABC DEF	SINCE FRAME 6H342747
04A		00H00204601	TUERCA PLATINA SUPERIOR DADO NUT	MUTTER ECROU	1 2 3 4 5 6 7 8 9 ABC DEF	SINCE FRAME 6H342747
05A		863146	ANILLO TORICO ANELLO TORICO O-RING	O-RING JOINT	1 2 3 4 5 6 7 8 9 ABC DEF	SINCE FRAME 6H342747
06A		863147	ANILLO PISTON HIDRAULICO ANELLO RING	RING JOINT	1 2 3 4 5 6 7 8 9 ABC DEF	SINCE FRAME 6H342747
07A		863148	CTO TAPON PIERNA HORQUILLA TAPPO GAMBA FORCELLA FORK TUBE CAP	PFROPFEN F. GABELSCHENKEL BOUCHON	1 2 3 4 5 6 7 8 9 ABC DEF	SINCE FRAME 6H342747
08A		863149	TORNILLO M8X35 VITE SCREW	SCHRAUBE VIS	1 2 3 4 5 6 7 8 9 ABC DEF	SINCE FRAME 6H342747
09A		863150	PLATINA SUPERIOR FLANGIA SUP. FORCELLA HANDLEBAR LOCK CLAMP	BUGEL ETRIER FIX. GUIDON	1 2 3 4 5 6 7 8 9 ABC DEF	SINCE FRAME 6H342747
10A		863151	CTO TIJA PLATINA FUSTO PIASTRA LOWER TRIPLE CLAMP	SATTELSTANGE PLATINE INF. AVEC PIVOT	1 2 3 4 5 6 7 8 9 ABC DEF	SINCE FRAME 6H342747
11A		863152	MUELLE HORQUILLA MOLLA FORCELLA FORK SPRING	GABELFEDER RESSORT DE FOURCHE	1 2 3 4 5 6 7 8 9 ABC DEF	SINCE FRAME 6H342747



PAIOLI ø37

Fig.	Ver.	COD. KOD.	DESCRIPCIÓN DENOMINAZIONE NAME	BEZEICHNUNG DESIGNATION	MOD.	NOTAS NOTES NOTA MITSCHRIFT NOTES
12A		863153	CTO BARRA HORQUILLA BARRA GAMBA FORCELLA FORK BAR	GABELSTANKE BARRE DE FOURCHE	123456 789ABC DEF	SINCE FRAME 6H342747
13A		861001	CTO HORQUILLA FORCELLA DIRETT FORK ASSY	LENKGABEL FOURCHE DIRITICE	123456 789ABC DEF	SINCE FRAME 6H342747
14A		863154	SCTO TUBO HIDRAULICO TUBO IDRAULICO DAMPER TUBE	HYDRAULIKROHR TUBE HYDRAULIQUE	123456 789ABC DEF	SINCE FRAME 6H342747
15A		863155	PIERNA HORQUILLA DERECHA GAMBA FORCELLA DE. RH. FORK TUBE LOWER	PFROPFEN F. GABELSCHENKEL RE. BOUCHON DROITE	123456 789ABC DEF	SINCE FRAME 6H342747
16A		863156	PIERNA HORQUILLA IZQUIERDA GAMBA FORCELLA SI. LH. FORK TUBE LOWER	PFROPFEN F. GABELSCHENKEL LI. BOUCHON GAUCHE	123456 789ABC DEF	SINCE FRAME 6H342747
17A		863157	RETEN PIERNA HORQUILLA PARAOLIO SEAL	DICHTRING JOINT	123456 789ABC DEF	SINCE FRAME 6H342747
18A		00H01802081	CAPTAFAROS CATARIFRANGENTE REFLECTOR	TRAHLER CATADIOPTRE	123456 789ABC DEF	SINCE FRAME 6H342747
19A		863158	TORNILLO M10X35 VITE SCREW	SCHRAUBE VIS	123456 789ABC DEF	SINCE FRAME 6H342747
20A		863159	ARANDELA COBRE RONDELLA WASHER	SCHEIBE RONDELLE	123456 789ABC DEF	SINCE FRAME 6H342747
21A		00008061500	TORNILLO C/RED. ALLEN 6M100X16 VITE SCREW	SCHRAUBE VIS	123456 789ABC DEF	SINCE FRAME 6H342747
22A		00031106000	ARANDELA PLANA D6 RONDELLA WASHER	SCHEIBE RONDELLE	123456 789ABC DEF	SINCE FRAME 6H342747

PAIOLI Ø37

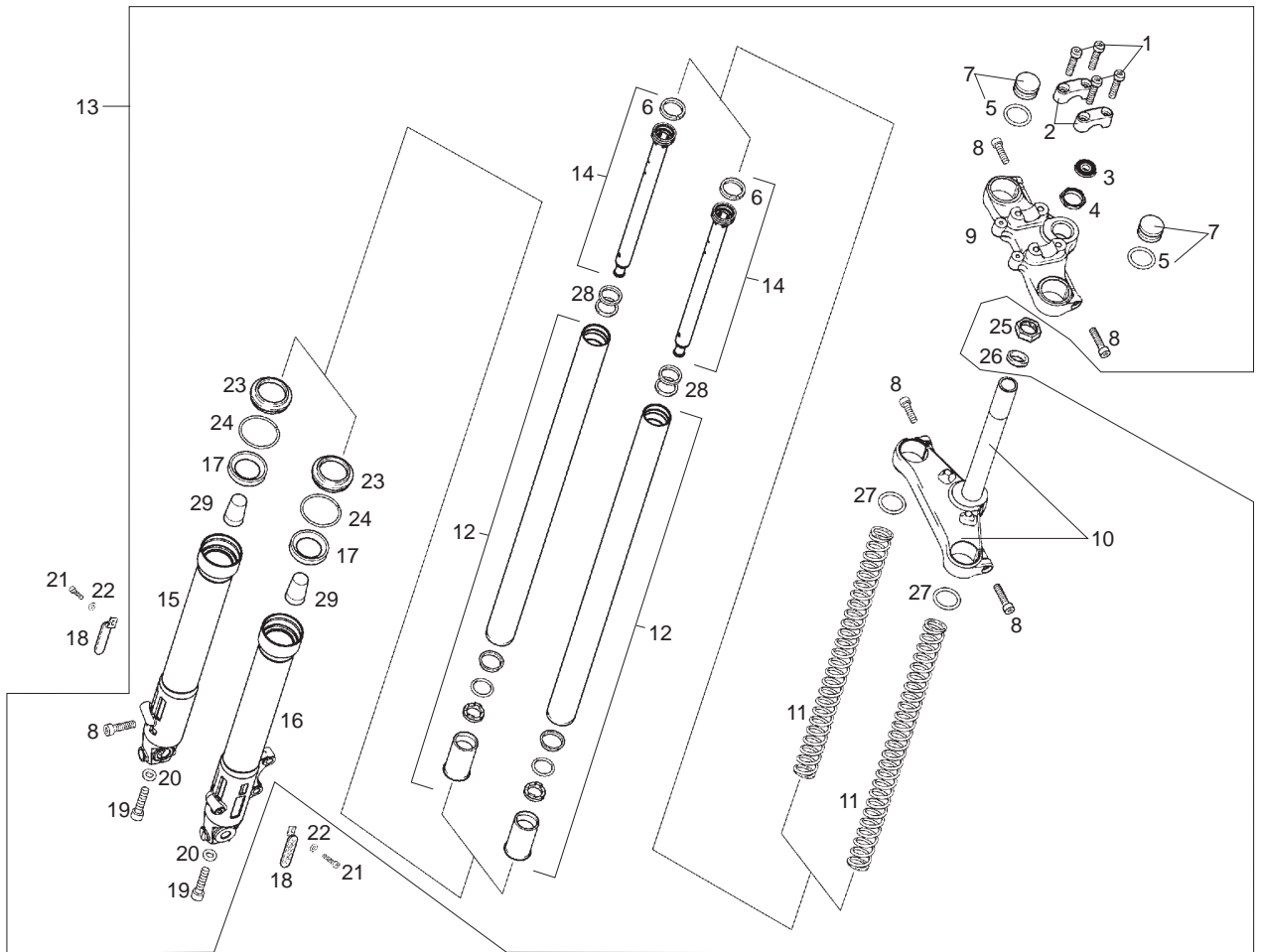


Fig.	Ver.	COD. KOD.	DESCRIPCIÓN DENOMINAZIONE NAME	BEZEICHNUNG DESIGNATION	MOD.	NOTAS NOTES NOTA MITSCHRIFT NOTES
23A		863160	GUARDAPOLVO PIERNA HORQUILLA PARAPOLVERE DUSTGUARD	STAUBFANGER POUSSIERE	123456 789ABC DEF	SINCE FRAME 6H342747
24A		863161	ANILLO RETEN ACEITE ANELLO FERMA PARAOLIO O-RING	O-RING JOINT DE JAUGE	123456 789ABC DEF	SINCE FRAME 6H342747
25A		00G00200112	TUERCA FIJACION TIJA DADO NUT	MUTTER ECROU	123456 789ABC DEF	SINCE FRAME 6H342747
26A		00D00200761	GUARDAPOLVO DIRECCION PARAPOLVERE DUSTGUARD	STAUBFANGER POUSSIERE	123456 789ABC DEF	SINCE FRAME 6H342747
27A		863162	ARANDELA RONDELLA WASHER	SCHEIBE RONDELLE	123456 789ABC DEF	SINCE FRAME 6H342747
28A		863163	MUELLE PISTON HIDRAULICO MOLLA SPRING	FEDER RESSORT	123456 789ABC DEF	SINCE FRAME 6H342747
29A		863164	CASQUILLO CONICO GHIERA BUSHING	BUCHSE ENTRETOISE	123456 789ABC DEF	SINCE FRAME 6H342747

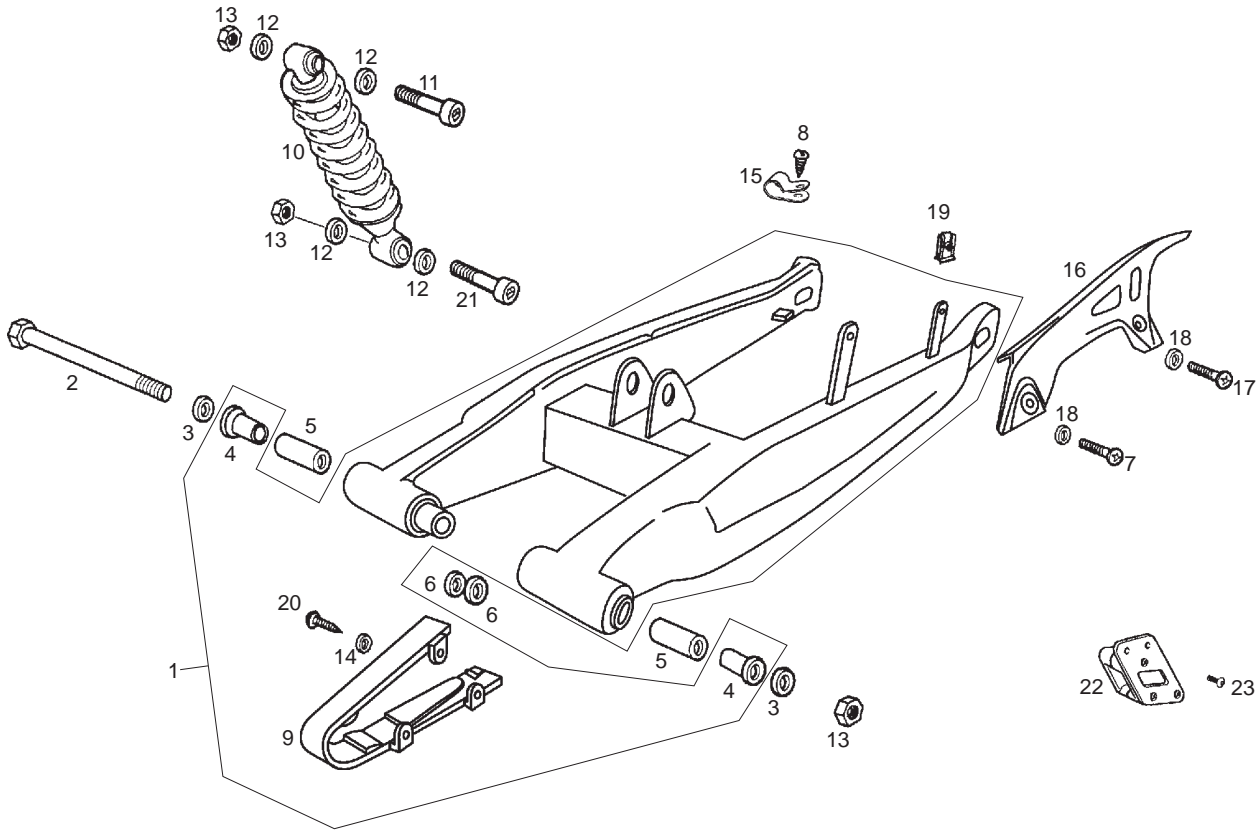


Fig.	Ver.	COD. KOD.	DESCRIPCIÓN DENOMINAZIONE NAME	BEZEICHNUNG DESIGNATION	MOD.	NOTAS NOTES NOTA MITSCHRIFT NOTES
01A		00H00308971	R-CTO BASCULANTE C/CASQUILLOS SUBRIBALTABILE SWING ARM SUB-ASSY	SCHWINGENACHSE BRAS OSCILLANT	123456 789ABC DEF	
02A		00H01304202	CTO. EJE RDA. TRAS. ASSE RUOTA POST. REAR WHEEL AXLE	HINTERRADACHSE AXE ROUE ARRIERE	123456 789ABC DEF	
03A		00003112322	ARANDELA EJE RUEDA. RONDELLA WASHER	SCHEIBE RONDELLE	123456 789ABC DEF	
04A		00002503230	CASQUILLO EJE BASCTE GHIERAASSE RIBALTABILE SWING ARM BUSHING	BUCHSE ENTRETOISE AXE BRAS OSCIL	123456 789ABC DEF	
05A		00H00301401	CASQUILLO GHIERA ORECCHIA MOTORE ENGINE BRACKET BUFFER BUSHING	BUCHSE ENTRETOISE AXE BRAS OSCIL	123456 789ABC DEF	
06A		00D01300192	ARANDELA EJE RONDELLA WASHER	SCHEIBE RONDELLE	123456 789ABC DEF	
07A		00012061000	TORNILLO C/RED. CRUZ 6 X 12 VITE SCREW	SCHRAUBE VIS	123456 789ABC DEF	
08A		00011041300	TORNILLO AUTR. C/CRUZ 4,8 X 13 VITE SCREW	SCHRAUBE VIS	123456 789ABC DEF	
09A		00H01803331	PLACA ROZAMTO.CADENA. PIASTRAATTRITO CATENA CHAIN FORCHIN PLATE	KETTEN-REIBPLATTE PLAQUE GLISSEMENT CHAINE	123456 789ABC DEF	
10A		00H01508191	CTO.AMORTIGUADOR AMMORTIZZATORE SHOCK ABSORBER.	FEDERBEIN AMORTISSEUR	123456 789ABC DEF	

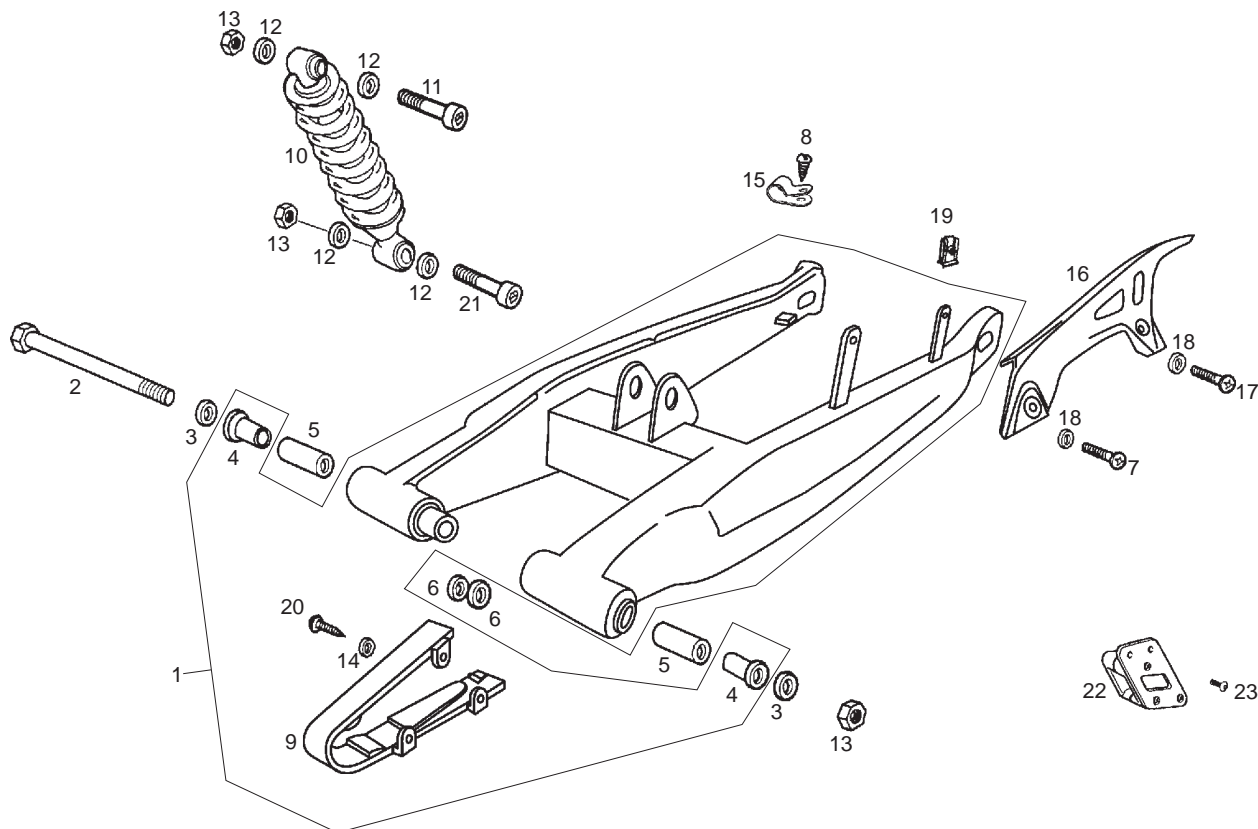


Fig.	Ver.	COD. KOD.	DESCRIPCIÓN DENOMINAZIONE NAME	BEZEICHNUNG DESIGNATION	MOD.	NOTAS NOTES NOTA MITSCHRIFT NOTES
11A		00H00303892	TORNILLO FIJ.SUP.AMORTIGUADOR VITE SCREW	SCHRAUBE VIS	1 2 3 4 5 6 7 8 9 ABC DEF	
12A		00003115422	ARANDELA RONDELLA WASHER	SCHEIBE RONDELLE	1 2 3 4 5 6 7 8 9 ABC DEF	
13A		00023112000	TUERCA AUTOBLOCANTE 12M175 DADO NUT	MUTTER ECROU	1 2 3 4 5 6 7 8 9 ABC DEF	
14A		00000031050	ARANDELA PLANA D5 RONDELLA WASHER	SCHEIBE RONDELLE	1 2 3 4 5 6 7 8 9 ABC DEF	
15A		00H01501811	BRIDA FLANGIA CLAMP	BEF.-SCHELLE ENTRETOISE	1 2 3 4 5 6 7 8 9 ABC DEF	
16A		00H01508181	CUBRECADENAS COPRICATENA CHAIN COVER	KETTENSCHUTZ COUVRE CHAINE	1 2 3 4 5 6 7 8 9 ABC DEF	
17A		00012161600	TORNILLO C/CRUZ.NG.6M100X16 VITE SCREW	SCHRAUBE VIS	1 2 3 4 5 6 7 8 9 ABC DEF	
18A		00D01200171	ARANDELA RONDELLA WASHER	SCHEIBE RONDELLE	1 2 3 4 5 6 7 8 9 ABC DEF	
19A		00D01501371	TUERCA FIJACION D6 DADO NUT	MUTTER ECROU	1 2 3 4 5 6 7 8 9 ABC DEF	
20A		00011141300	TORNILLO AUT.C/CR.NG.4,8X13 VITE SCREW	SCHRAUBE VIS	1 2 3 4 5 6 7 8 9 ABC DEF	

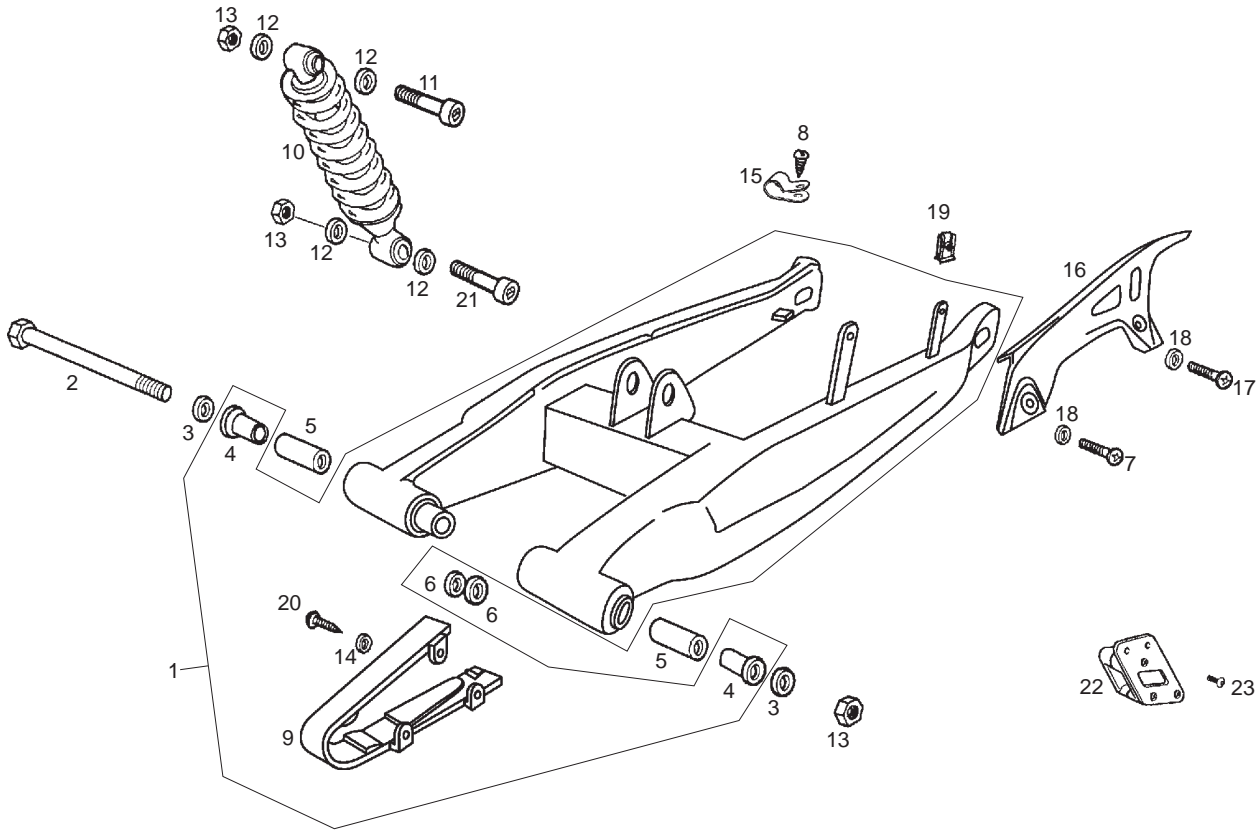


Fig.	Ver.	COD. KOD.	DESCRIPCIÓN DENOMINAZIONE NAME	BEZEICHNUNG DESIGNATION	MOD.	NOTAS NOTES NOTA MITSCHRIFT NOTES
21A		00H00300912	TORN. INF. AMORT. 12 X 45 VITE FISSAGGIO AMORT. SHOCK ABSORBER SEC. SCREW	SOTSSDMPFER BEFESTIGUNGSM VIS FIXATION AMORTISSEUR	1 2 3 4 5 6 7 8 9 ABC DEF	
22A		00H01502871	CTO GUIA CADENA GUIDA CATENA CHAIN GUIDE	GLEITBAHN GUIDE CHAINE	1 2 3 4 5 6 7 8 9 ABC DEF	
23A		00012061000	TORNILLO C/REDONDA 6X10 VITE SCREW	SCHRAUBE VIS	1 2 3 4 5 6 7 8 9 ABC DEF	

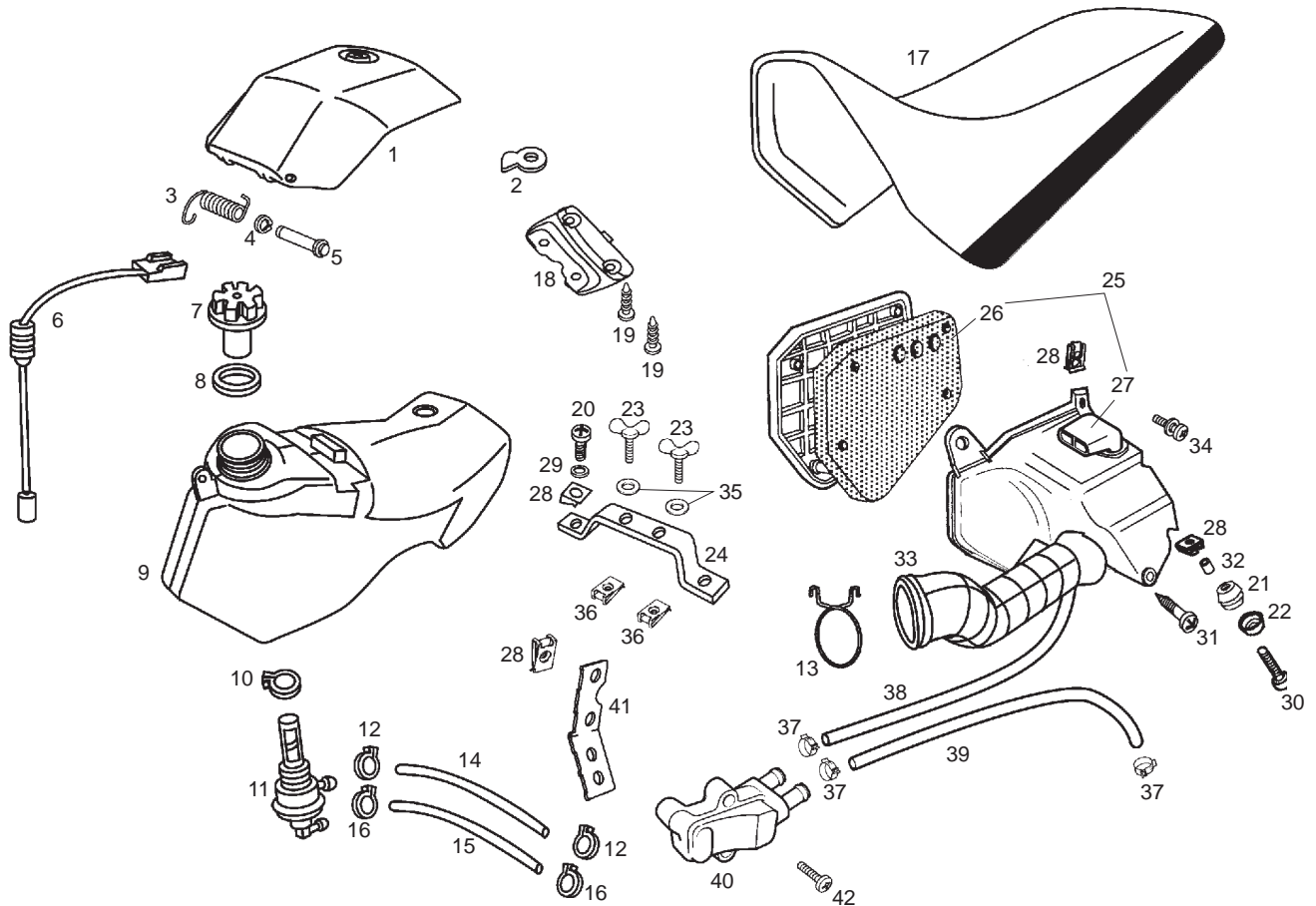


Fig.	Ver.	COD. KOD.	DESCRIPCIÓN DENOMINAZIONE NAME	BEZEICHUNG DESIGNATION	MOD.	NOTAS NOTES NOTA MITSCHRIFT NOTES
01A		00H00404684	TAPA SUPERIOR DEPOSITO SUBCOMP.CARCASSA SUP.SERB. TOP TANK FRAME	TANKKLAPPE COUVERCLE DE RESERVOIR	123 789 DEF	
01B		00H00405686	TAPA SUPERIOR DEPOSITO SUBCOMP.CARCASSA SUP.SERB. TOP TANK FRAME	TANKKLAPPE COUVERCLE DE RESERVOIR	456	
01C		00H00405682	TAPA SUPERIOR DEPOSITO SUBCOMP.CARCASSA SUP.SERB. TOP TANK FRAME	TANKKLAPPE COUVERCLE DE RESERVOIR	ABC	
02A		00H00604141	PALANCA CIERRE LEVA LEVER	SCHLOSS-VERSCHLUSSHEBEL LEVIER FERMETURE SELLE	123456 789ABC DEF	
03A		00H06303762	MUELLE ARTIC.TAPA DEPOSITO MOLLA ARTIC. COPER. SUP. SERB. SPRING	RITZELFEDER RESSORT	123456 789ABC DEF	
04A		00047030400	ANILLO SEGURIDAD D4 ANELLO SICUREZZA ASSI PIN SECURING CIRCLIP	SICHERHEITSRING ACHSE ANNEAU SECURITE AXE	123456 789ABC DEF	
05A		00H06303752	EJE ARTIC.TAPA DEPOSITO ASSE ARTIC. COPER. SUP. SERB. AXLE	STIFT AXE	123456 789ABC DEF	
06A		00H04302181	CTO. NIVEL GASOLINA LIVELLO BENZINA GAS LEVEL SENSOR ASSY.	KRAFTSTOFFSTAND ENSEMBLE FLOTTEUR ESSENCE	123456 789ABC DEF	
07A		00F00400131	CTO. TAPON DEPOSITO GASOLINA TAPPO SERBATOIO BENZINA FUEL TANK CAP ASSY	FUEL TANK CAP ASSY ENS. BOUCHON RESERV. ESSENCE V.B	123456 789ABC DEF	
08A		00F00400771	R-ARANDELA TAPON DEPOSITO RONDELLA TAPPO SERBATOIO FUEL TANK CAP WASHER	SCHEIBE F.TANKDECKEL R-RONDELLE BOUCHON RESERVOI	123456 789ABC DEF	
09A		00H00406011	DEPOSITO.GASOLINA SERBATOIO BENZINA FUEL TANK	BENZINTANK RESERVOIR ESSENCE	123456 789ABC DEF	

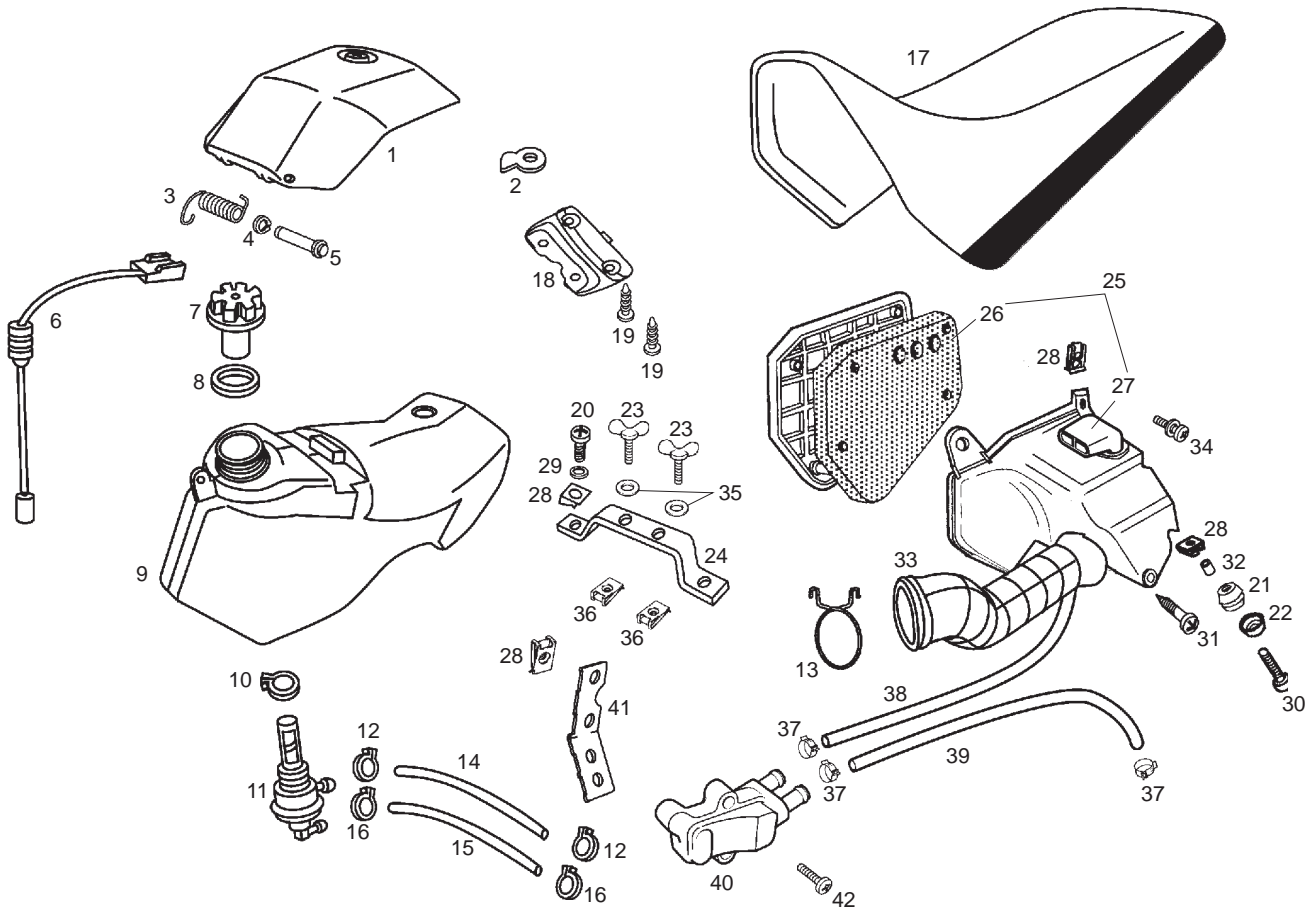


Fig.	Ver.	COD. KOD.	DESCRIPCIÓN DENOMINAZIONE NAME	BEZEICHNUNG DESIGNATION	MOD.	NOTAS NOTES NOTA MITSCHRIFT NOTES
10A		00G00400501	ABRAZADERA FASCETTA FISSAGGIO RUBINETTO FUEL COCK SECURING CLAMP	BEF.-SCHELLE F.HAHN BRIDE FIXATION ROBINET	123456 789ABC DEF	
11A		00G00400181	CTO GRIFO GASOLINA RUBINETTO BENZINA FUEL COCK ASSY	KRAFTSTOFFHAHN UNTERDRUCK ENSEMBLE ROBINET ESSENCE	123456 789ABC DEF	
12A		00D03700131	ABRAZADERA ELASTICA FASCETTA ELASTICA TUBO BENZINA FUEL PIPE ELASTIC CLAMP	ELAST.KLAMMER GASLEITUNG CRAMPON ELASTIQUE TUBE ESSE	123456 789ABC DEF	
13A		00G03204272	MUELLE TUBO ADMISION ANELLO CARB. AIR INTAKE TUBE	SCHAUCHSCHELLE COLLIER	123456 789ABC DEF	
14A		00F00403321	TUBO GASOLINA TUBO BENZINA FUEL PIPE	BENZINSCHLAUCH TUYAU ESSENCE	123456 789ABC DEF	
15A		00H06201061	TUBO DEPRESION TUBO DEPRESSIONE DEPRESSION PIPE	BENZINSCHLAUCH TUYAU ESSENCE	123456 789ABC DEF	
16A		00F03710131	ABRAZADERA ELASTICA FASCETTA ELASTICA CLAMP	BEF.-SCHELLE ENTRETOISE	123456 789ABC DEF	
17A		00H00626011	CTO. SILLIN SENDA R X-RACE COMP. SELLINO SEAT	SITZBANK SELLE	123 789ABC DEF	
17B		00H00626012	CTO. SILLIN SENDA R X-RACE COMP. SELLINO SEAT	SITZBANK SELLE	456	
18A		00H00600341	SUPLEMENTO BASE SILLIN SUPPLEMENTO SELLINO SEAT SUPPLEM.	ZUBEHOR SITZBANK SUPL.SELLE	123456 789ABC DEF	
19A		00011051801	TORNILLO PARA PLASTICO 5.1 X 18 VITE SCREW	SCHRAUBE VIS	123456 789ABC DEF	

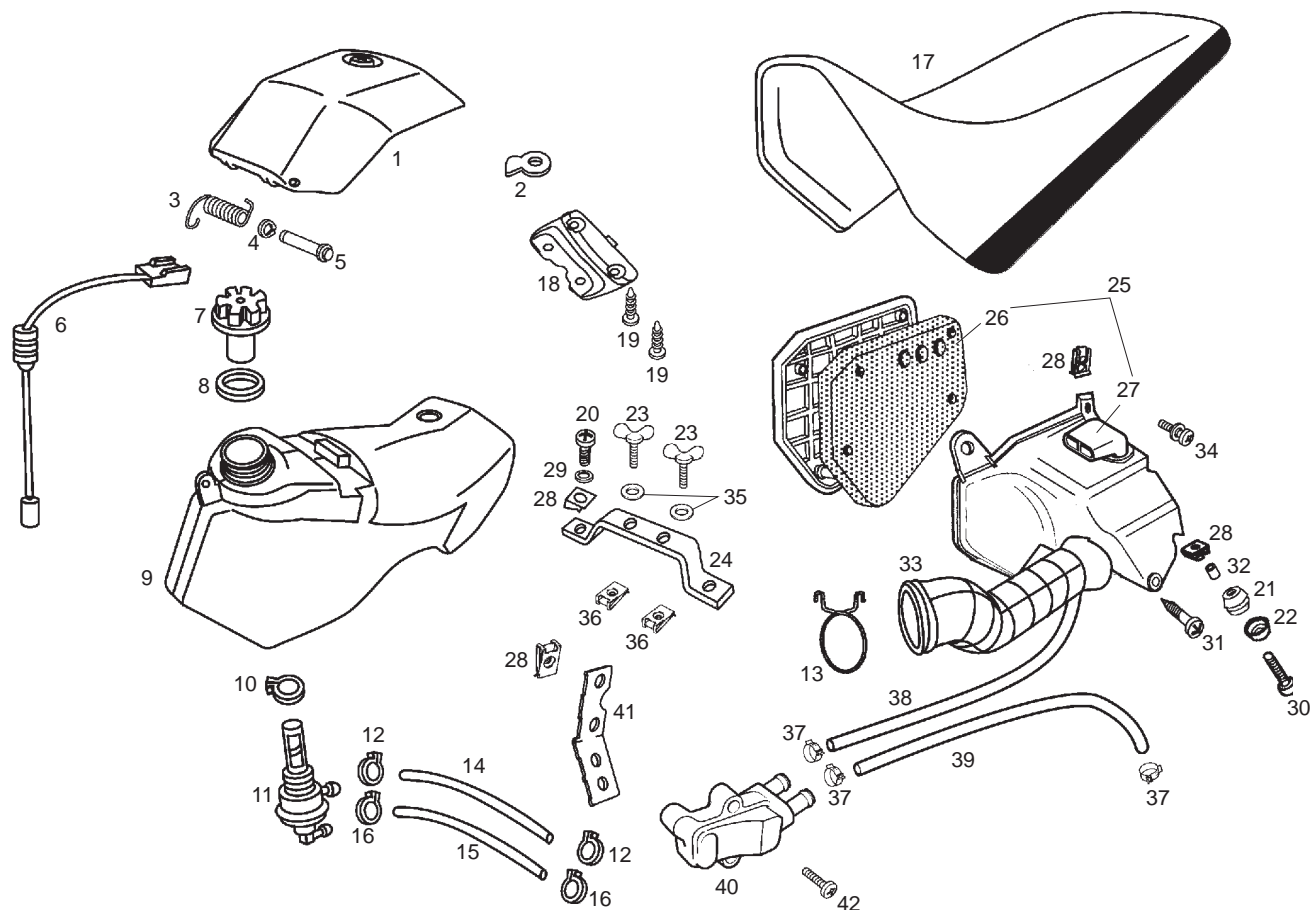


Fig.	Ver.	COD. KOD.	DESCRIPCIÓN DENOMINAZIONE NAME	BEZEICHUNG DESIGNATION	MOD.	NOTAS NOTES NOTA MITSCHRIFT NOTES
20A		00012061200	TORNILLO C/CRUZ 6M100X12 VITE SCREW	SCHRAUBE VIS	12 3 4 5 6 7 8 9 ABC DEF	
21A		00008915020	PROTECCION CABLES PROTEZIONE CAVI RUBBER, CABLE PROTECTOR	GUMMI PASSE-CABLE	12 3 4 5 6 7 8 9 ABC DEF	
22A		00D01500552	CAZOLETA SCADELLINO FISSAGGIO HOUSING	ABDECKSCHEIBE CUVETTE	12 3 4 5 6 7 8 9 ABC DEF	
23A		00H06101231	TORNILLO MARIPOSA 5X12 VITE SCREW	SCHRAUBE VIS	12 3 4 5 6 7 8 9 ABC DEF	
24A		00H00404051	PUENTE FIJ. DEPOSITO. SUPPORTO INF. SERBATOIO LOWER FUEL TANK BRACKET	LOWER FUEL TANK BRACKET SUPPORT INFÉRIEUR RÉSERVOIR ES	12 3 4 5 6 7 8 9 ABC DEF	
25A		00H01809541	CTO CAJA FILTRO CASSA FILTRO AIR FILTER BOX	FILTERKASTEN ENSEMBLE BOITE FILTRE	12 4 5 7 8 AB DE	
25B		00H06007211	CTO CAJA FILTRO C/TUBO SCANDINAVIA CASSA FILTRO AIR FILTER BOX	FILTERKASTEN ENSEMBLE BOITE FILTRE	3 6 9 C F	
26A		00H03209251	ESPUMA FILTRO AIRE ESPANSO FILTRO ARIA AIR FILTER MESH	LUFTFILTERSCHAUM FILTRE AIR	12 4 5 7 8 AB DE	
26B		00H03201251	ESPUMA FILTRO AIRE ESPANSO FILTRO ARIA AIR FILTER MESH	LUFTFILTERSCHAUM FILTRE AIR	3 6 9 C F	
27A		00H03208491	TUBO ASPIRACION CAJA FILTRO TUBO ASPIRAZIONE AIR INTAKE	SAUGROHR TUBE DIASPIRATION	12 4 5 7 8 AB DE	
27B		00D03210491	TUBO ASPIRACION CAJA FILTRO TUBO ASPIRAZIONE AIR INTAKE	SAUGROHR TUBE DIASPIRATION	3 6 9 C F	

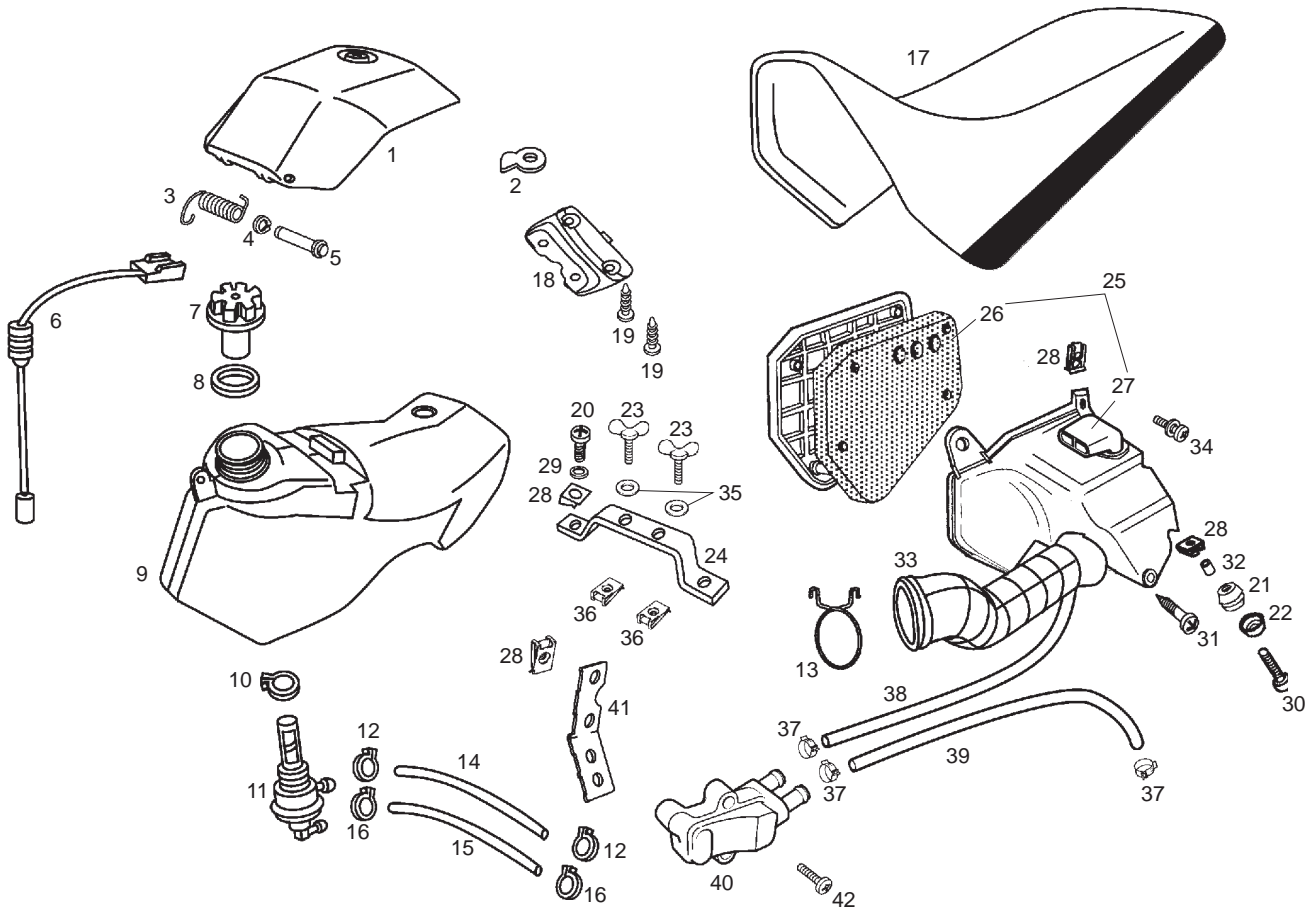


Fig.	Ver.	COD. KOD.	DESCRIPCIÓN DENOMINAZIONE NAME	BEZEICHNUNG DESIGNATION	MOD.	NOTAS NOTES NOTA MITSCHRIFT NOTES
28A		00D01501371	TUERCA FIJACION D6 DADO NUT	MUTTER ECROU	123456 789ABC DEF	
29A		00D01200171	ARANDELA RONDELLA WASHER	SCHEIBE RONDELLE	123456 789ABC DEF	
30A		00012161600	TORNILLO C/CRUZ.NG.6M100X16 VITE SCREW	SCHRAUBE VIS	123456 789ABC DEF	
31A		00073481964	TORNILLO AUTR.C/CRUZ 4,8 X 19. VITE SCREW	SCHRAUBE VIS	123456 789ABC DEF	
32A		00D01500471	CASQ. SILENT. SILENC. GHIERA BUSHING	FUHRUNGSBUCHSE GABELSCHENK ENTRETOISE	123456 789ABC DEF	
33A		00H03207261	TUBO ADMISION TUBO AMMISSIONE AIR INTAKE HOSE	ENLAISRROR HUNTER TUYAU DIADMISSION HUNTER	123456 789ABC DEF	
34A		00H05900021	SCTO. TORNILLO 6M100X16 VITE SCREW	SCHRAUBE VIS	123456 789ABC DEF	
35A		00D02600631	ARANDELA RONDELLA WASHER	SCHEIBE RONDELLE	123456 789ABC DEF	
36A		00H01500691	TUERCA FIJACION D5 DADO NUT	MUTTER ECROU	123456 789ABC DEF	
37A		00H03802461	ABRAZADERA 15/8 W4 FLANGIA FLANGE	FLANSCH BRIDE	3 6 9 C F	
38A		00H04200721	TUBO CONEXIÓN CAJA FILTRO - SAS TUBO CASSA FILTRO AIR FILTER BOX TUBE	FILTERKASTEN RHOR TUYAU ENSEMBLE BOITE FILTRE	3 6 9 C F	

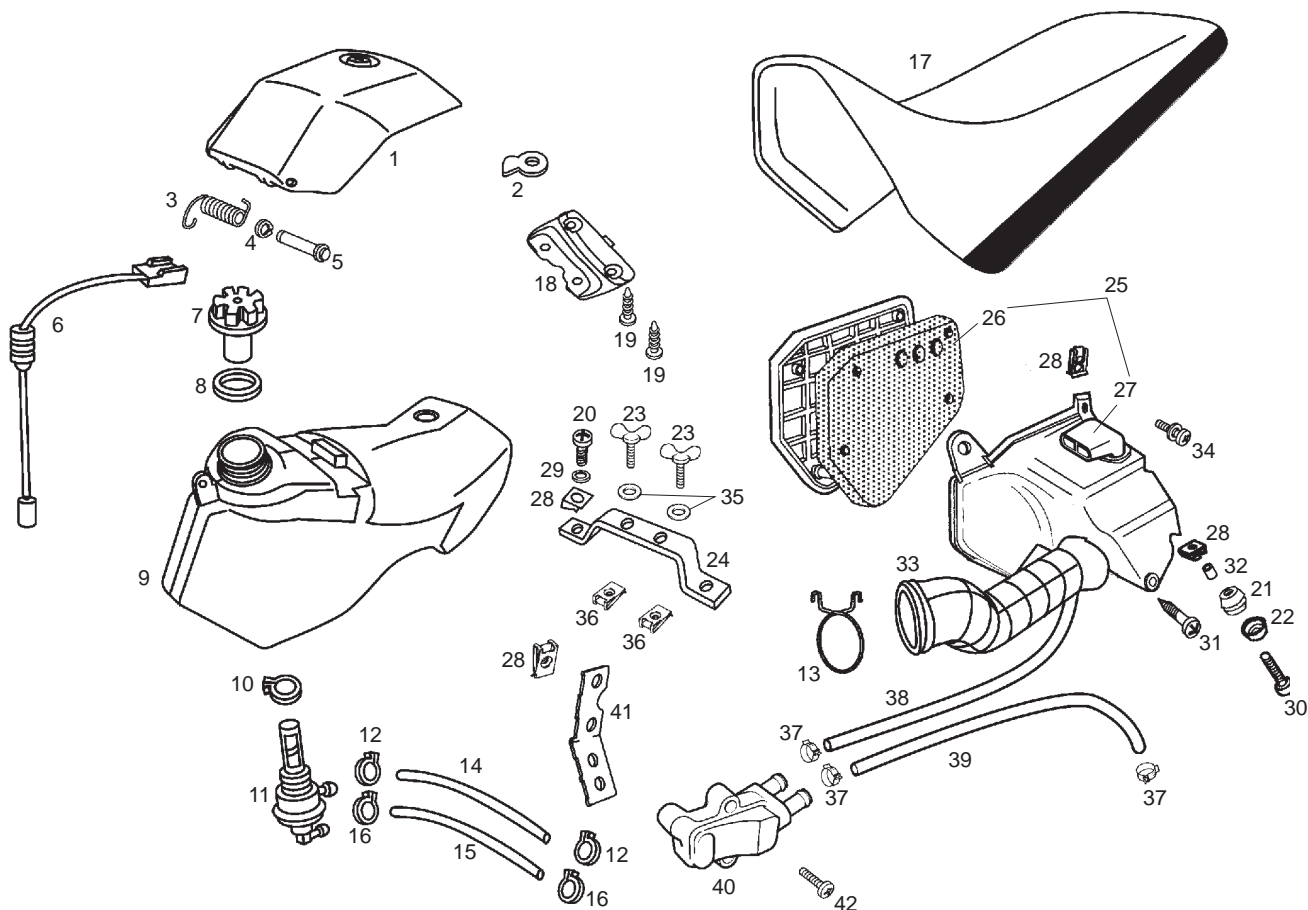


Fig.	Ver.	COD. KOD.	DESCRIPCIÓN DENOMINAZIONE NAME	BEZEICHNUNG DESIGNATION	MOD.	NOTAS NOTES NOTA MITSCHRIFT NOTES
39A		00H04202721	TUBO ENTRADA GASES CAJA SAS TUBO CASSA FILTRO AIR FILTER BOX TUBE	FILTERKASTEN RHOR TUYAU ENSEMBLE BOITE FILTRE	3 9 F	6 C
40A		00H04200741	CTO CAJA AIRE SECUNDARIO CASSA SECONDARIA DI ARIA SECONDARY AIR BOX	SEKUNDÄRLUFT-KASTEN BOÎTE SECONDAIRE D'AIR	3 9 F	6 C
41A		00H06500561	CARTELA SOPORTE CAJA SAS SUPPORTO CASSA DI ARIA AIR BOX SUPPORT	LUFT-KASTEN-UNTERSTÜTZUNG APPUI DE BOÎTE D'AIR	3 9 F	6 C
42A		00012062500	TORNILLO C/CRUZ 6M100X25 VITE SCREW	SCHRAUBE VIS	3 9 F	6 C

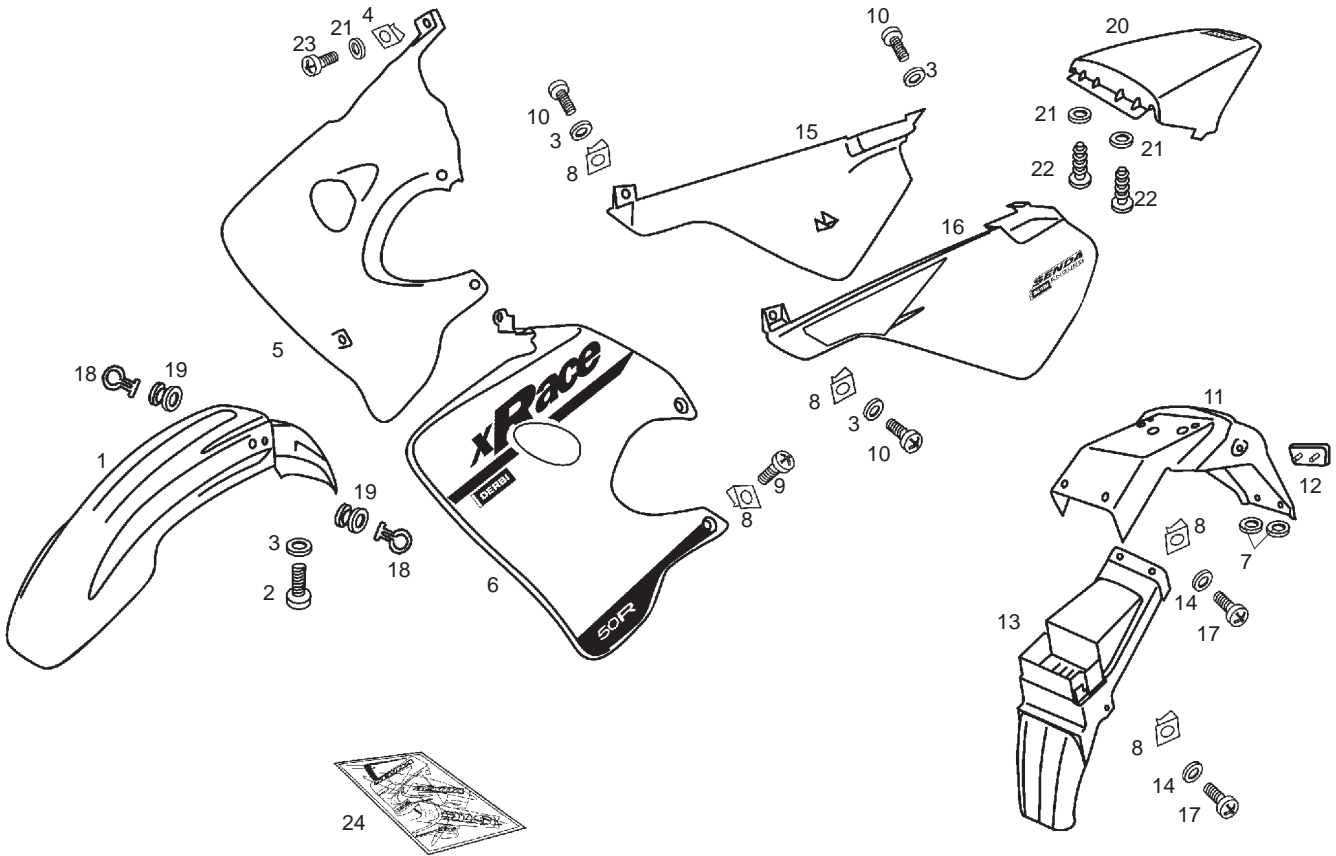


Fig.	Ver.	COD. KOD.	DESCRIPCIÓN DENOMINAZIONE NAME	BEZEICHNUNG DESIGNATION	MOD.	NOTAS NOTES NOTA MITSCHRIFT NOTES
01A		00H00714024	GUARDABARRO DT SENDA R X-RACE PARAFANGO ANTERIORE FRONT MUDGUARD ASSY	KOTFLUGEL VORN GARDE-BOUE AVANT RGE	123	
01B		00H00714023	GUARDABARRO DT SENDA R X-RACE PARAFANGO ANTERIORE FRONT MUDGUARD ASSY	KOTFLUGEL VORN GARDE-BOUE AVANT RGE	456	
01C		00H00711025	GUARDABARRO DT SENDA R X-RACE PARAFANGO ANTERIORE FRONT MUDGUARD ASSY	KOTFLUGEL VORN GARDE-BOUE AVANT RGE	789 DEF	
01D		00H00714022	GUARDABARRO DT SENDA R X-RACE PARAFANGO ANTERIORE FRONT MUDGUARD ASSY	KOTFLUGEL VORN GARDE-BOUE AVANT RGE	ABC	
02A		00012161600	TORNILLO C/CRUZ.NG.6M100X16 VITE SCREW	SCHRAUBE VIS	123456 789ABC DEF	
03A		00D01200171	ARANDELA RONDELLA WASHER	SCHEIBE RONDELLE	123456 789ABC DEF	
04A		00G04401462	TUERCA FIJACION D5 DADO NUT	MUTTER ECROU	123456 789ABC DEF	
05A		00H04437803	TAPA DT DR SENDA R X-RACE COPERCHIO COVER	DECKEL COUVERCLE	123	
05B		00H04437805	TAPA DT DR SENDA R X-RACE COPERCHIO COVER	DECKEL COUVERCLE	456	
05C		00H04437802	TAPA DT DR SENDA R X-RACE COPERCHIO COVER	DECKEL COUVERCLE	789	
05D		00H04437801	TAPA DT DR SENDA R X-RACE COPERCHIO COVER	DECKEL COUVERCLE	ABC	

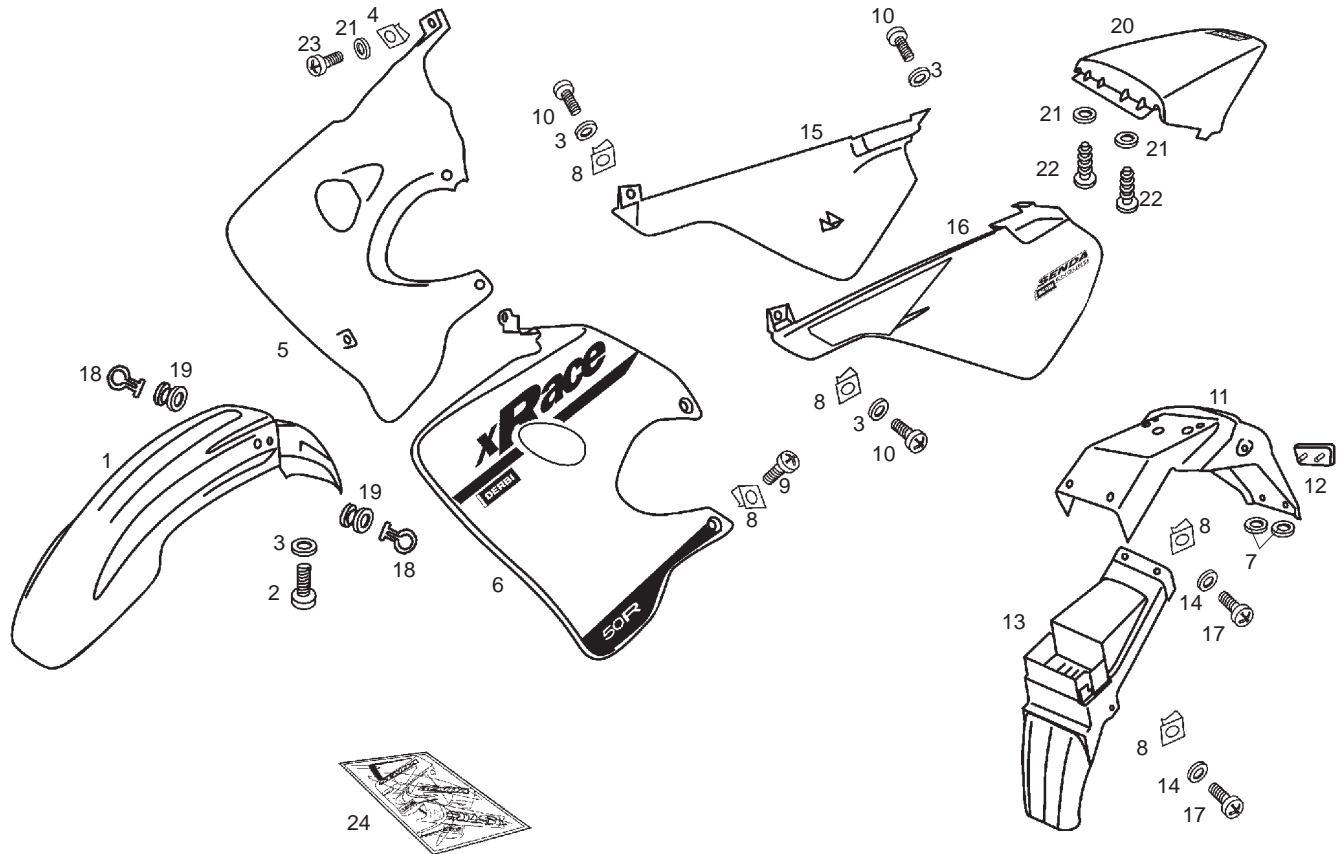


Fig.	Ver.	COD. KOD.	DESCRIPCIÓN DENOMINAZIONE NAME	BEZEICHNUNG DESIGNATION	MOD.	NOTAS NOTES NOTA MITSCHRIFT NOTES
05E		00H04437806	TAPA DT DR SENDA R X-RACE COPERCHIO COVER	DECKEL COUVERCLE	DEF	
06A		00H04437883	TAPA DT IZQ SENDA R X-RACE COPERCHIO COVER	DECKEL COUVERCLE	123	
06B		00H04437885	TAPA DT IZQ SENDA R X-RACE COPERCHIO COVER	DECKEL COUVERCLE	456	
06C		00H04437882	TAPA DT IZQ SENDA R X-RACE COPERCHIO COVER	DECKEL COUVERCLE	789	
06D		00H04437881	TAPA DT IZQ SENDA R X-RACE COPERCHIO COVER	DECKEL COUVERCLE	ABC	
06E		00H04437886	TAPA DT IZQ SENDA R X-RACE COPERCHIO COVER	DECKEL COUVERCLE	DEF	
07A		00G06300671	ARANDELA RONDELLA WASHER	SCHEIBE RONDELLE	123456 789ABC DEF	
08A		00D01501371	TUERCA FIJACION D6 DADO NUT	MUTTER ECROU	123456 789ABC DEF	
09A		00G01503701	TORNILLO VITE SCREW	SCHRAUBE VIS	123456 789ABC DEF	
10A		00012161600	TORNILLO VITE SCREW	SCHRAUBE VIS	123456 789ABC DEF	
11A		00H00712341	SUPLEMEMTO GUARD.TRASERO SUPPLEMENTO PARAFANGO POST. SUPPLEM. REAR FENDER	ZUBEHOR STAUBFANGER HINTEN SUPL. GARDE BOUE AR.	123456 789ABC DEF	

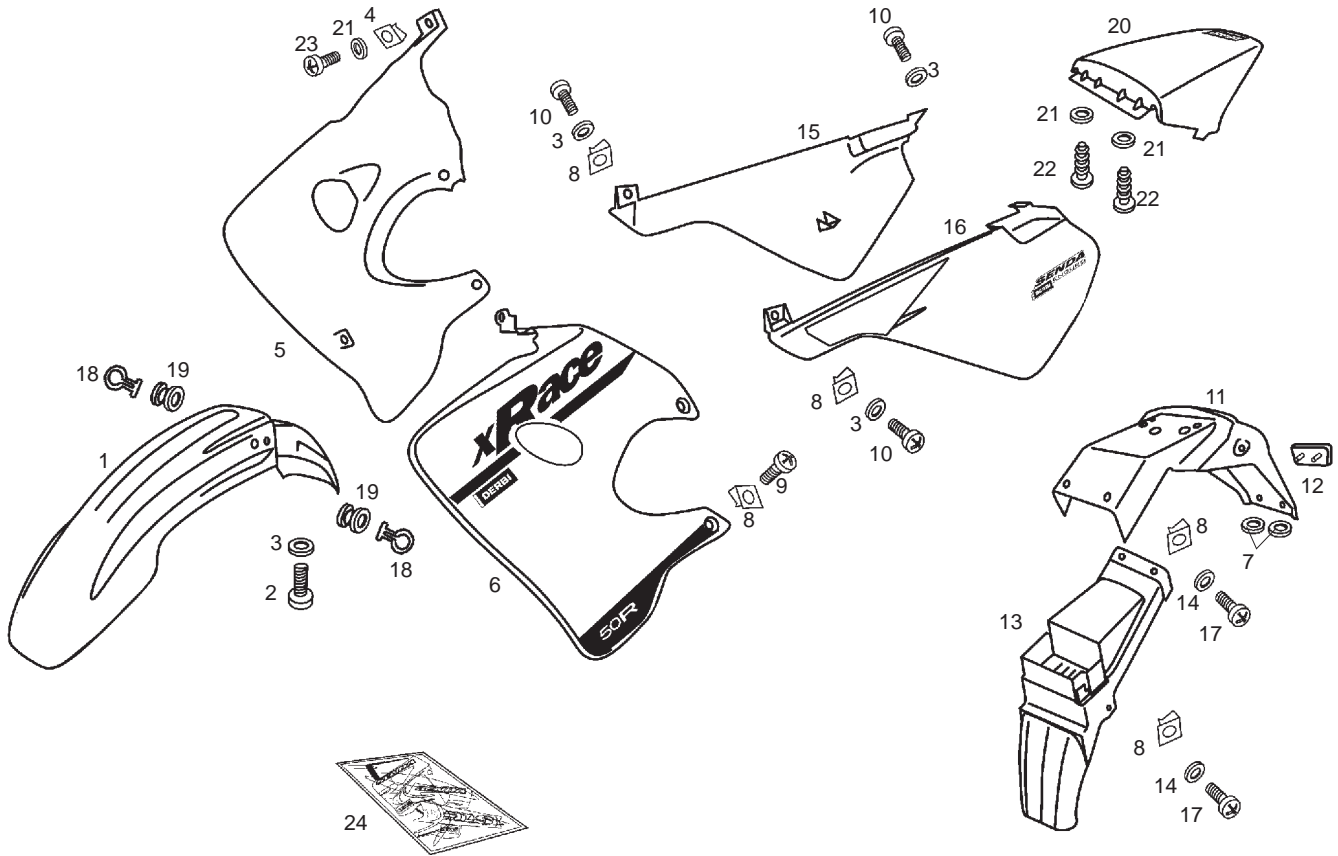


Fig.	Ver.	COD. KOD.	DESCRIPCIÓN DENOMINAZIONE NAME	BEZEICHNUNG DESIGNATION	MOD.	NOTAS NOTES NOTA MITSCHRIFT NOTES
12A		00G04400752	CAPTAFAROS TRASERO ROJO CATARIFRANGENTE POSTERIORE R REAR REFLECTOR	RUCKS TRAHLER CATADIOPTRE ARRIERE	123456 789ABC DEF	
13A		00H00705121	GUARDABARROS TRASERO PARAFANGO POSTERIORE REAR MUDGUARD	KOTFLUGEL HINTEN GARDE BOUE ARRIERE	123456 789ABC DEF	
14A		00000031060	ARANDELA PLANA D6 RONDELLA WASHER	SCHEIBE RONDELLE	123456 789ABC DEF	
15A		00H00556696	TAPA LATERAL DR SENDA R X-RACE COPERCHIO LAT. DES. RIGHT HAND SIDE COVER	SEITENDECKEL RECHTS PLAQUE LATERAL DROITE AVEC	123	
15B		00H00556692	TAPA LATERAL DR SENDA R X-RACE COPERCHIO LAT. DES. RIGHT HAND SIDE COVER	SEITENDECKEL RECHTS PLAQUE LATERAL DROITE AVEC	456 ABC DEF	
15C		00H00556693	TAPA LATERAL DR SENDA R X-RACE COPERCHIO LAT. DES. RIGHT HAND SIDE COVER	SEITENDECKEL RECHTS PLAQUE LATERAL DROITE AVEC	789	
16A		00H00556706	TAPA LATERAL IZQ SENDA R X-RACE COPERCHIO LAT. SIN. LEFT HAND SIDE COVER	SEITENDECKEL- LINKS FLANC LAT.G.AVEC DECAL	123	
16B		00H00556702	TAPA LATERAL IZQ SENDA R X-RACE COPERCHIO LAT. SIN. LEFT HAND SIDE COVER	SEITENDECKEL- LINKS FLANC LAT.G.AVEC DECAL	456 ABC DEF	
16C		00H00556703	TAPA LATERAL IZQ SENDA R X-RACE COPERCHIO LAT. SIN. LEFT HAND SIDE COVER	SEITENDECKEL- LINKS FLANC LAT.G.AVEC DECAL	789	
17A		00012161600	TORNILLO C/CRUZ.NG.6M100X16 VITE SCREW	SCHRAUBE VIS	123456 789ABC DEF	
18A		00H02201591	GUIA CABLES GUIDA CAVI CABLE GUIAE	HALTER F. BEF. BREMSSCHLAU SOUS-EN.SUP.FIX.TUYAU FREIN	123456 789ABC DEF	

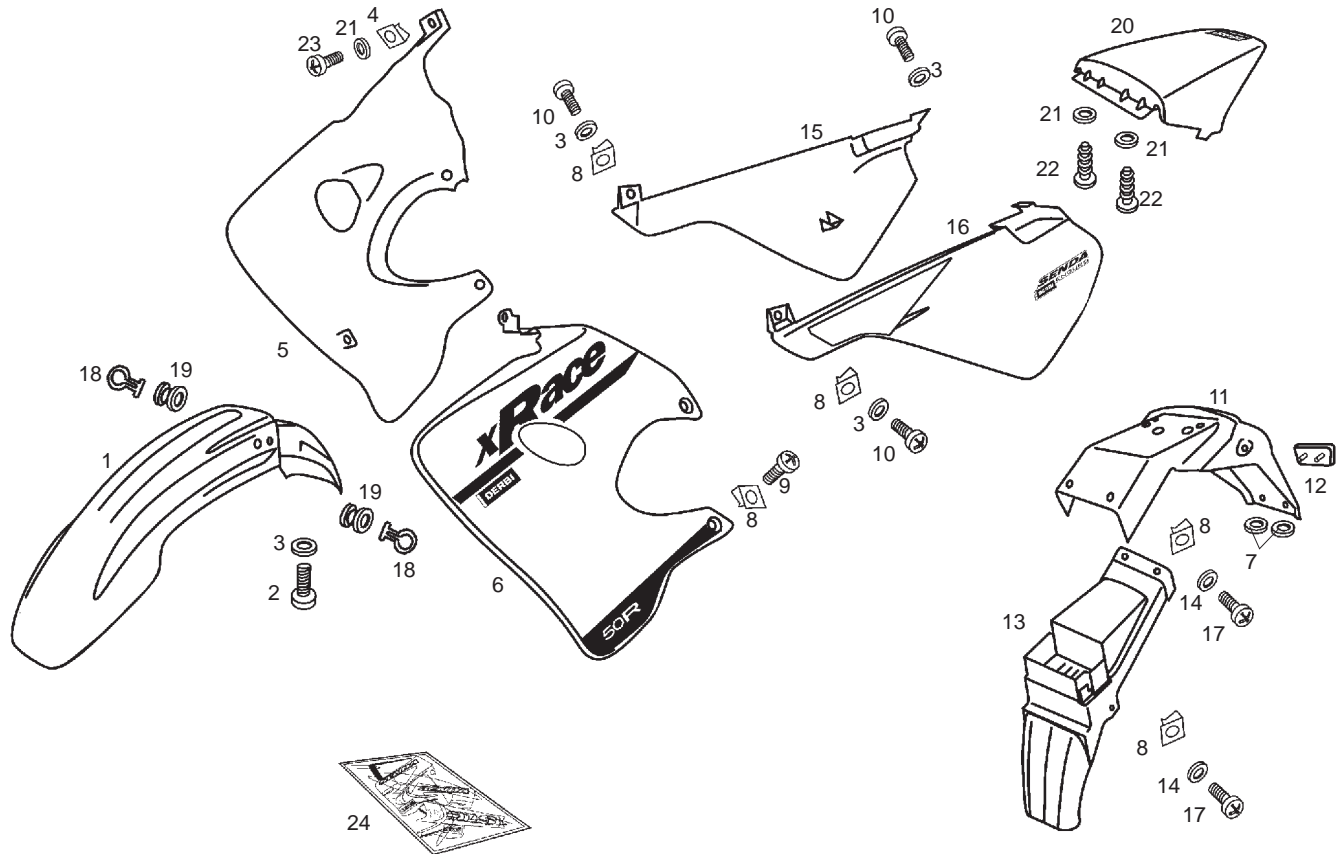


Fig.	Ver.	COD. KOD.	DESCRIPCIÓN DENOMINAZIONE NAME	BEZEICHNUNG DESIGNATION	MOD.	NOTAS NOTES NOTA MITSCHRIFT NOTES
19A		00D01500021	PASACABLES PORTACAIVI PARAFANGO GROMMET	GUMMI CAOUTCHOUC PASSE-CABLE	123456 789ABC DEF	
20A		00H04924094	SCTO. COLIN SILLIN SENDA R X-RACE COLIN SELLINO SEAT BASE	KOTFLUGEL HINTEN DOSSERET SELLE	123	
20B		00H04924092	SCTO. COLIN SILLIN SENDA R X-RACE COLIN SELLINO SEAT BASE	KOTFLUGEL HINTEN DOSSERET SELLE	456 789	
20C		00H04924091	SCTO. COLIN SILLIN SENDA R X-RACE COLIN SELLINO SEAT BASE	KOTFLUGEL HINTEN DOSSERET SELLE	ABC	
20D		00H04924093	SCTO. COLIN SILLIN SENDA R X-RACE COLIN SELLINO SEAT BASE	KOTFLUGEL HINTEN DOSSERET SELLE	DEF	
21A		00000031050	ARANDELA PLANA D5 RONDELLA WASHER	SCHEIBE ROND.PLATE MECANISEE	123456 789ABC DEF	
22A		00011051401	TORNILLO AUTRRCCTE. 5 X14 VITE SCREW	SCHRAUBE VIS	123456 789ABC DEF	
23A		00012152000	TORNILLO C/RED.CRUIZ 5M80X20 VITE SCREW	SCHRAUBE VIS	123456 789ABC DEF	
24A		00H05168651	JUEGO CALCAS SENDA R X-RACE NG/RJ COMPL.ADESIVI DECALS ASSY	AUFKLEBERSATZ JEU ADHESIF	123	
24B		00H05168652	JUEGO CALCAS SENDA R X-RACE AZ/BL COMPL.ADESIVI DECALS ASSY	AUFKLEBERSATZ JEU ADHESIF	456	
24C		00H05157652	JUEGO CALCAS SENDA R X-RACE NG/AZ COMPL.ADESIVI DECALS ASSY	AUFKLEBERSATZ JEU ADHESIF	789	

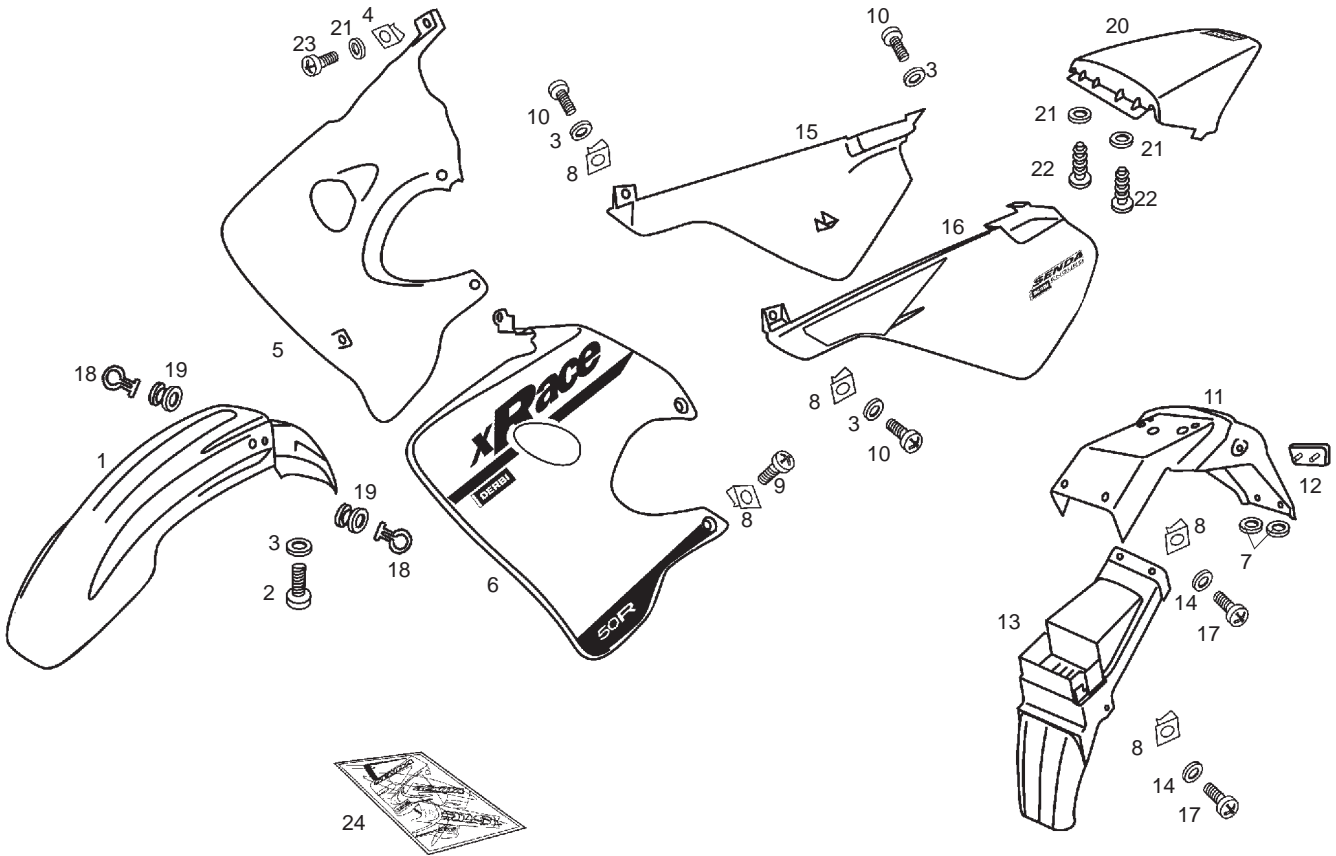


Fig.	Ver.	COD. KOD.	DESCRIPCIÓN DENOMINAZIONE NAME	BEZEICHNUNG DESIGNATION	MOD.	NOTAS NOTES NOTA MITSCHRIFT NOTES
24D		00H05157651	JUEGO CALCAS SENDA R X-RACE NJ. COMPL.ADESIVI DECALSASSY	AUFKLEBERSATZ JEU ADHESIF	ABC	
24E		00H05168652	JUEGO CALCAS SENDA R X-RACE NG/BL COMPL.ADESIVI DECALSASSY	AUFKLEBERSATZ JEU ADHESIF	DEF	

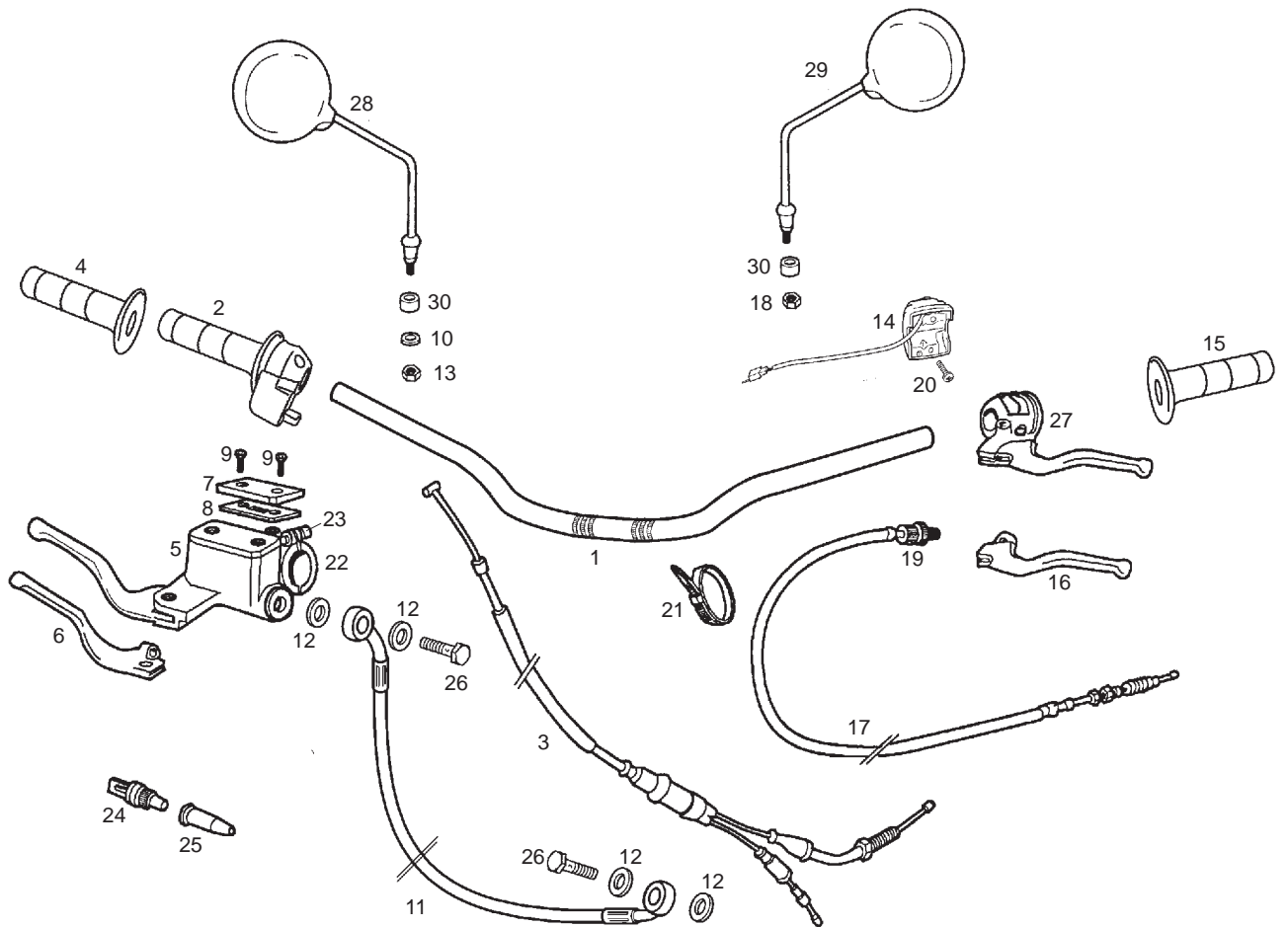


Fig.	Ver.	COD. KOD.	DESCRIPCIÓN DENOMINAZIONE NAME	BEZEICHUNG DESIGNATION	MOD.	NOTAS NOTES NOTA MITSCHRIFT NOTES
01A		00H00908012	SCTO. MANILLAR MANUBRIO HANDLEBAR ASSY	LENKER GUIDON	123456 789ABC DEF	
02A		00H02101621	CTO. PUÑO GAS MANOPOLA ACCELERATOR THROTTLE GRIP ASSEMBLY	GASGRIF POIGNEE DE GAZ COMPLETE	123456 789ABC DEF	
03A		00H00931171	CABLE-FUNDA GAS CAVO-FODERO ACCELEA CABLE ASSY TRHOTTLE	GASKABEL GAINE ET CABLE DE GAZ	12 45 78 AB DE	
03B		00H00934171	CABLE-FUNDA GAS SCANDINAVIA CAVO-FODERO ACCELEA CABLE ASSY TRHOTTLE	GASKABEL GAINE ET CABLE DE GAZ	3 6 9 C F	
04A		00H00930091	R-EMPUÑADURA GAS R-MANOPOLA ACCELERATORE GRIP, THROTTLE	GRIF CAOUT.DE PIGNEE GAZ	123456 789ABC DEF	
05A		00G02102083	R-CTO MANDO FRENO DT R-COMANDO FRENO FRONT BRAKE LEVER/MASTER CYLIN	REP.-SATZ F. PUMPE R-ENSEM.KIT REPAR. POMPE SE	123456 789ABC DEF	
06A		00F00902291	R-MANETA FRENO TRASERO LEVA FRENO BRAKE LEVER	BREMSHEBEL KOMPL. MANETE DU FREIN AVANT	123456 789ABC DEF	
07A		00H02100191	R-TAPA DEPOSITO LIQ. FRENO DT. COPERCHIO SERBATOIO LIQUIDO BRAKE FLUID RESERVOIR CAP	BREMSFLUESSIGKEITSBEHAELTE R-COUV.RESER.LIQ.FREIN AVAN	123456 789ABC DEF	
08A		00H02100861	R-JUNTA TAPA DEP. LIQ. FRENO GUARNIZIONE COPERCHIO BRAKE FLUID RESERVOIR CAP SEAL	BREMSCECKELDICHTUNG R-JOINT COUV.RES.LIQ.FR.AV.	123456 789ABC DEF	
09A		00014041200	TORNILLO C/AR. CRUZ 4M80X12 VITE COUNTERSUNK PHILIPS SCREW	SCHRAUBE BOULON T.NOYEE	123456 789ABC DEF	
10A		00000031080	ARANDELA PLANA D8 RONDELLA WASHER	SCHEIBE RONDELLE	123456 789ABC DEF	

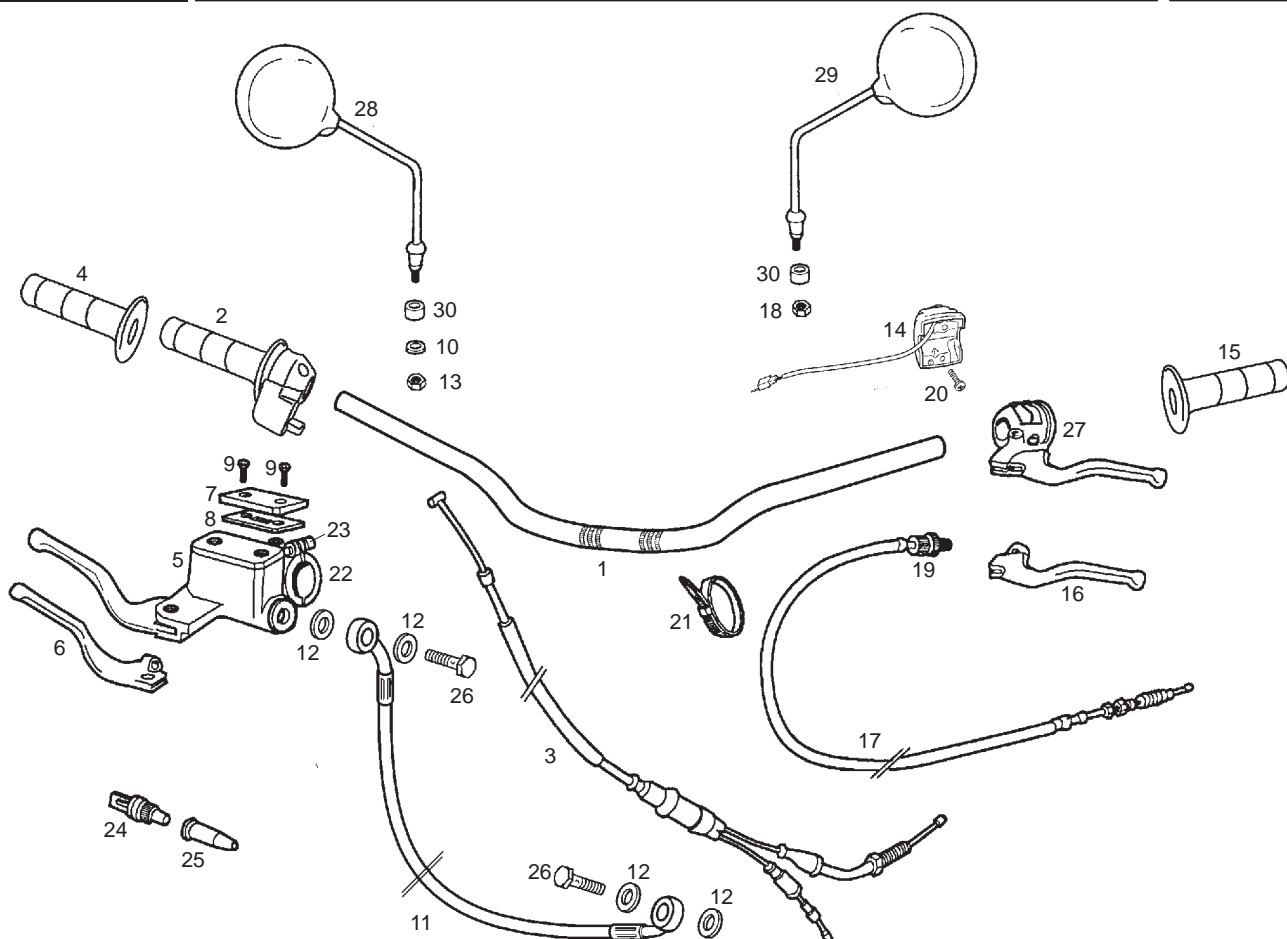


Fig.	Ver.	COD. KOD.	DESCRIPCIÓN DENOMINAZIONE NAME	BEZEICHNUNG DESIGNATION	MOD.	NOTAS NOTES NOTA MITSCHRIFT NOTES
22A		00D02100901	R-BRIDA FIJ. MANDO FRENO DT. CAVALLOTO FISSAGIO POMPA CLAMP	BEF.-SCHELLE ENTRETOISE	123456 789ABC DEF	
23A		00004061600	TORNILLO C/ALLEN 6M100X16 VITE SCREW	SCHRAUBE VIS	123456 789ABC DEF	
24A		00D01000701	INTERRUPTOR MANDO STOP. INTERRUPTORE STOP SWITCH, STOP LIGHT	STOPCHALTER VO. INTERRUPTEUR COMMANDE STOP	123456 789ABC DEF	
25A		00005010760	CAPUCHON INTERRUPTOR STOP CAPPUCCHIO INTERRUPTORE STOP NE RUBBER COVER, STOP LIGHT SWITCH	GUMMISCHUTZ STOPLICHTSCHAL CAPUCHON	123456 789ABC DEF	
26A		00006309260	RACORD TUBO HIDRAULICO RACCORDO TUBO IDRAULICO HYDRAULIC TUBE CONNECTOR	STUTZEN HIDRAULIKLEITUNG RACCORD TUYAU HYDRAULIQUE	123456 789ABC DEF	
27A		00H02105611	CTO. PORTAMANETA IZQUIERDO PORTAMANOPOLA SINIST LEFT LEVER BRACKET	BREMSHEBEL LINKS KOMPLETT ENS. PORTE-MANETTE GAUCHE	123456 789ABC DEF	
28A		00H02213671	ESPEJO RETROVISOR DERECHO SPECCHIETO RETROVISO REAR MIRROR	SPIEGEL MIRROIR RETROVISEUR	123456 789ABC DEF	
29A		00H04608921	ESPEJO RETROVISOR IZQUIERDO SPECCHIETO RETROVISO REAR MIRROR	SPIEGEL MIRROIR RETROVISEUR	123456 789ABC DEF	
30A		00G00800261	CASQUILLO GHIERA SNODO ZAMPA CAVALLETTO SPACER	DISTANZHULSE ENTRETOISE	123456 789ABC DEF	

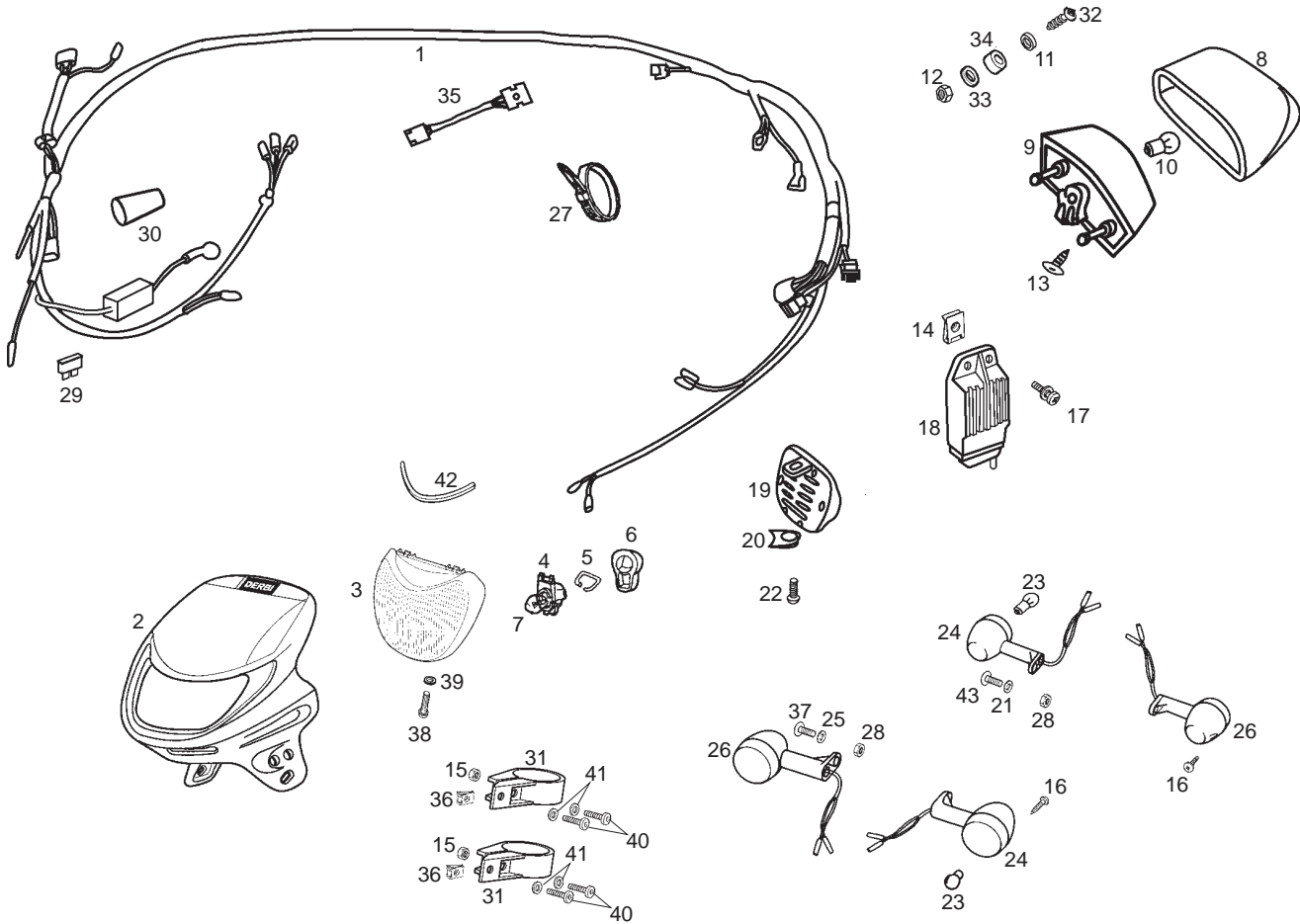


Fig.	Ver.	COD. KOD.	DESCRIPCIÓN DENOMINAZIONE NAME	BEZEICHNUNG DESIGNATION	MOD.	NOTAS NOTES NOTA MITSCHRIFT NOTES
01A		00H01046301	CTO. INSTALACION ELECTRICA IMPIANTO ELETRICO ELECTRICAL INSTALATIONS ASSY.	KOBELBAUM FAISCEAU ELECTRIQUE	123456 789ABC DEF	
02A		00H02258876	CARCASA FARO SENDA R X-RACE CARCASA FARO HEADLIGHT CUSING SUB-ASSEMBLY	SCHEINWERFERVERKLEIDUNG PLAQUE PHARE	123	
02B		00H02258873	CARCASA FARO SENDA R X-RACE CARCASA FARO HEADLIGHT CUSING SUB-ASSEMBLY	SCHEINWERFERVERKLEIDUNG PLAQUE PHARE	456 789	
02C		00H02258872	CARCASA FARO SENDA R X-RACE CARCASA FARO HEADLIGHT CUSING SUB-ASSEMBLY	SCHEINWERFERVERKLEIDUNG PLAQUE PHARE	ABC	
02D		00H02259871	CARCASA FARO SENDA R X-RACE CARCASA FARO HEADLIGHT CUSING SUB-ASSEMBLY	SCHEINWERFERVERKLEIDUNG PLAQUE PHARE	DEF	
03A		00H01012011	CTO FARO DT FARO ANTERIORE HEADLIGHT LENS SUB-ASSEMBLY	SCHEINWERFER OPTIQUE COMPLETE	123456 789ABC DEF	
04A		00003710110	R-PORTALAMPARAS PORTA-LAMPADE BULB HOLDER	LAMPENHALTER R-PORTE-LAMPES	123456 789ABC DEF	
05A		00003710120	R-MUELLE PORTLAMPARAS R- MOLLA PORTALAMPADE BULB HOLDER SPRING	FEDER F. LAMPENHALTER R-RESSORT PORTE-LAMPES	123456 789ABC DEF	
06A		00H05703141	R-PROTECTOR PORTALAMPARAS R-PROTEZIONE PORTALAMPADA FA HEADLAMP BULB HOLDER PROT	LAMPENDECKEL R-PROT.PORTE-LAMPES	123456 789ABC DEF	
07A		00H01000131	LAMPARA FARO. 12V.35/35W. LAMPADA FARO HEADLIGHT BULB	SCHEINWERFERLAMPE TUBE PHARE	123456 789ABC DEF	
08A		00H01002341	R-CRISTAL PILOTO VETRO SPIA/STOP LENS, TAILLIGHT	RUCK LIGHTCELLONES CABOCHON DE FEU ARRIERE	123456 789ABC DEF	

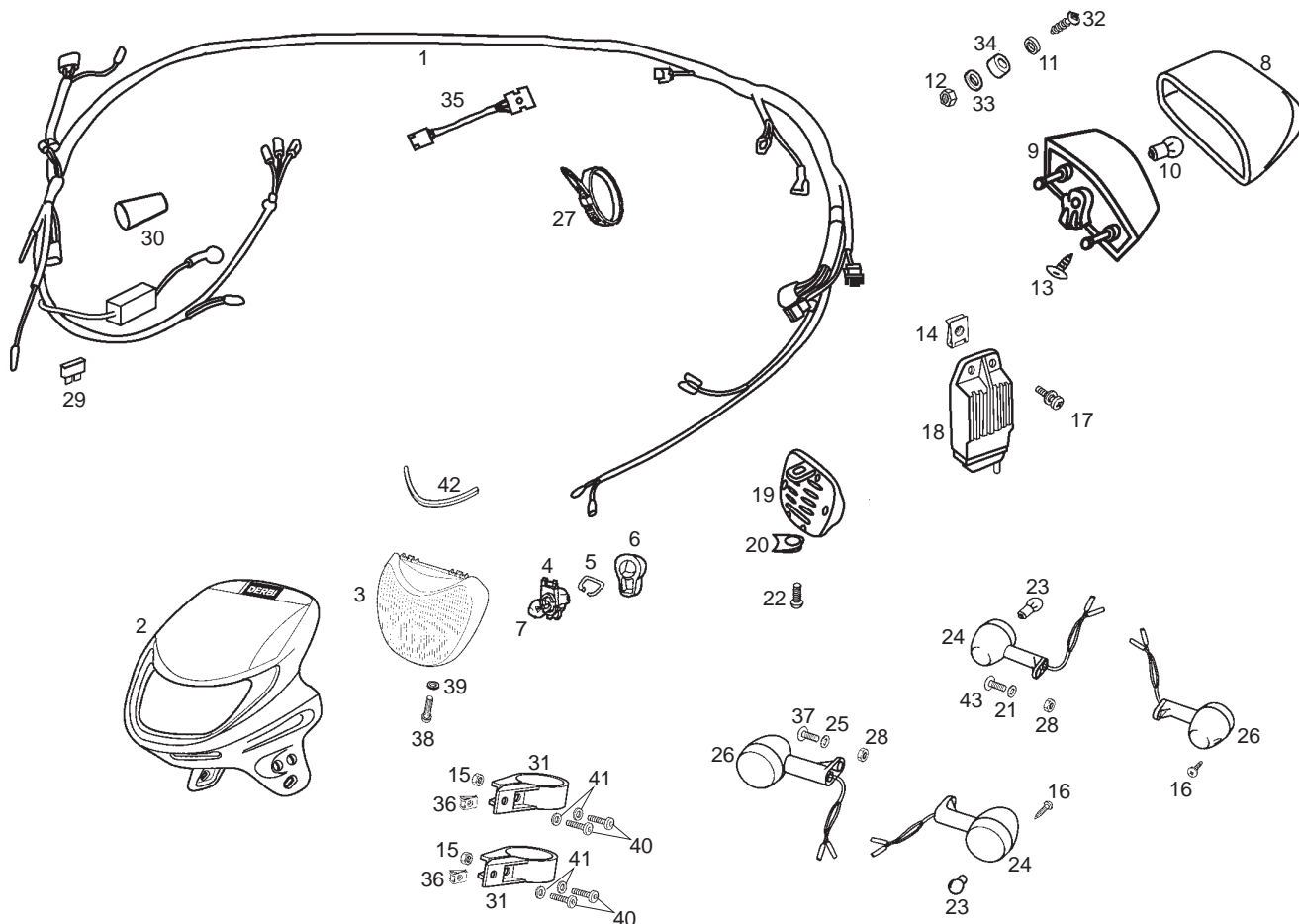


Fig.	Ver.	COD. KOD.	DESCRIPCIÓN DENOMINAZIONE NAME	BEZEICHNUNG DESIGNATION	MOD.	NOTAS NOTES NOTA MITSCHRIFT NOTES
09A		00H01006321	CTO.FARO PILOTO FANALINO POSTERIORE TAIL LIGHT ASSY	RUCKLIGHT FEU ARRIERE	123456 789ABC DEF	
10A		00H01000371	LAMP.PILOTO-STOP.12V.21/5W. LAMPADA FANALINO POSTERIORE BULB, TAILLIGHT/STOP	BIRNE BREMSLIGHT LAMPE-TEMOIN-STOP	123456 789ABC DEF	
11A		00H03800722	ARANDELA TOPE MUELLE EMBRAGUE RONDELLA WASHER	SCHEIBE RONDELLE	123456 789ABC DEF	
12A		00000023051	TUERCA AUTOBLOCANTE 5M80 DADO NUT	MUTTER ECROU	123456 789ABC DEF	
13A		00G01001571	R-TORNILLO FIJ.FARO PILOTO PREDATOR VITE SCREW	SCHRAUBE VIS	123456 789ABC DEF	
14A		00D01501371	TUERCA FIJACION D6 DADO NUT	MUTTER ECROU	123456 789ABC DEF	
15A		00000021050	TUERCA EXAGONAL 5M80 DADO NUT	MUTTER ECROU	123456 789ABC DEF	
16A		00011021300	TORNILLO AUTR.C/CRUZ.2,9X13 VITE SCREW	SCHRAUBE VIS	123456 789ABC DEF	
17A		00D05900081	SCTO TORNILLO 6M100X16 VITE SCREW	SCHRAUBE VIS	123456 789ABC DEF	
18A		00H01008841	REGULADOR AC/DC REGOLATORE TENSIONE REGULATOR	SPANNUNGSREGLER REGULATEUR AC/DC	123456 789ABC DEF	
19A		00H01005311	CTO. CLAXON CLACSON HORN ASSEMBLY	HUPE KLAXON COMPLET	123456 789ABC DEF	

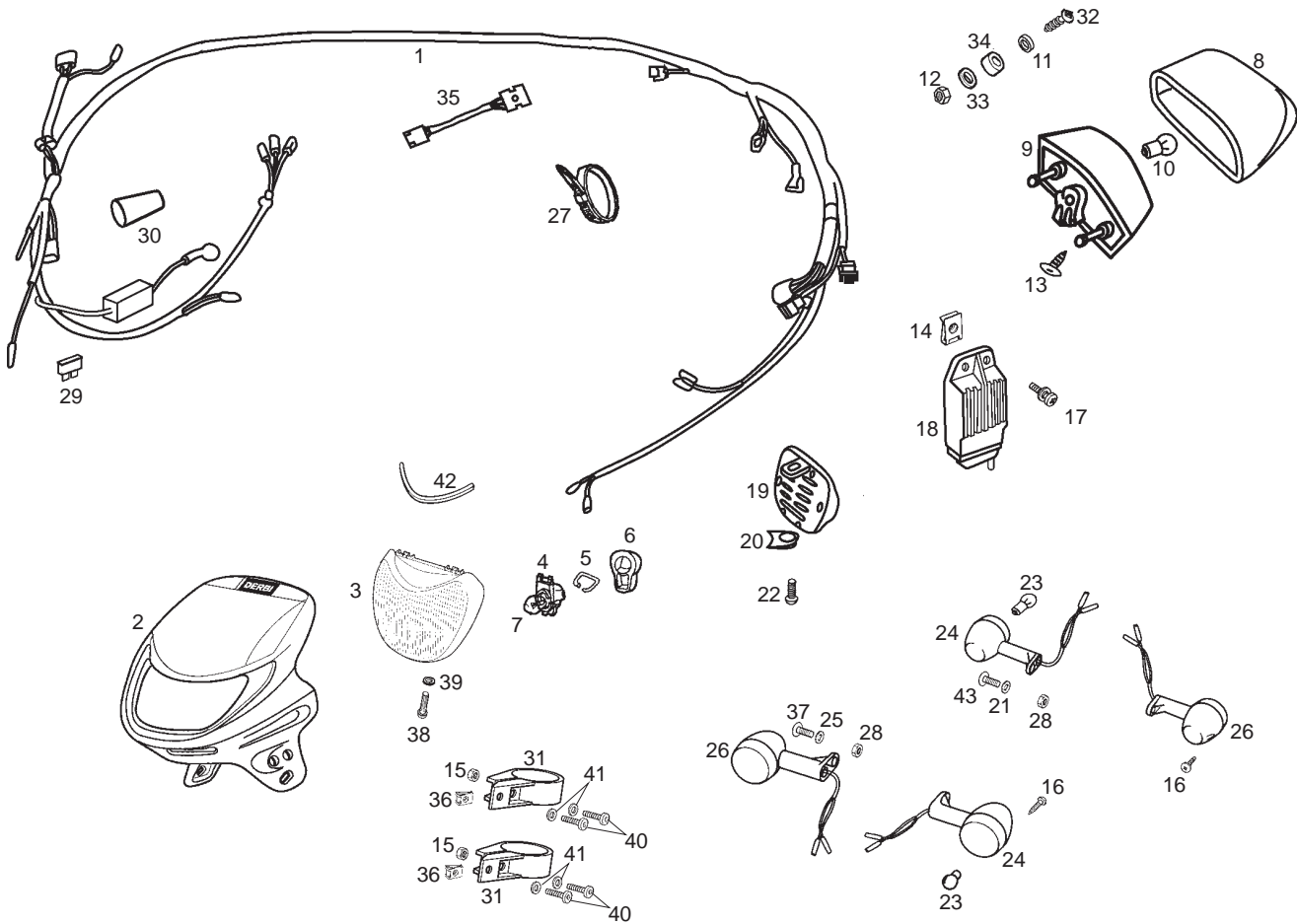


Fig.	Ver.	COD. KOD.	DESCRIPCIÓN DENOMINAZIONE NAME	BEZEICHNUNG DESIGNATION	MOD.	NOTAS NOTES NOTA MITSCHRIFT NOTES
20A		00D01501371	TUERCA FIJACION D6 DADO NUT	MUTTER ECROU	123456 789ABC DEF	
21A		00D01200171	ARANDELA D6 RONDELLA WASHER	SCHEIBE RONDELLE	123456 789ABC DEF	
22A		00012061200	TORNILLO C/CRUZ 6M100X12 VITE SCREW	SCHRAUBE VIS	123456 789ABC DEF	
23A		0000A517011	BOMBILLA INTERMITENTES LAMPADA INDICATOR LIGHT BULB	BLINKLICHTLAMPE TUBE PHARES CLIGNOTANTS	123456 789ABC DEF	
24A		00H01703301	CTO.FARO INTTE.TR.DR.ROUND INDIC.DIREZIONE TURN SIGNAL LIGHT REAR RH	BLINKR HINTEN GLIGNOTEURS AR. DROITE	123456 789ABC DEF	
25A		00031106000	ARANDELA PLANA D6 RONDELLA WASHER	SCHEIBE ROND.PLATE MECANISEE	123456 789ABC DEF	
26A		00H01703391	CTO.FARO INTTE.TR.IZQ.ROUND COMP.INDIC.DIREZIONE TURN SIGNAL LIGHT REAR LEFT	BLINKR HINTEN GLIGNOTEURS AR. GAUCHE	123456 789ABC DEF	
27A		00D00900531	BRIDA UNECABLES FLANGIA UNIONE CAVI BLACK CABLE TIE	KABELBINDER COLLIER	123456 789ABC DEF	
28A		00000023060	TUERCA AUTOBLOCANTE 6M100 DADO NUT	MUTTER ECROU	123456 789ABC DEF	
29A		00H01001911	FUSIBLE 7,5 AMP FUSIBILE FUSE	FUSE FUSIBLE	123456 789ABC DEF	
30A		00H02300961	PROTECTOR INSTALACION PROTEZIONE WIRING HARNESS CONNECTOR	WIRING HARNESS CONNECTOR PROTE PROTECTION CONNEXIONS INSTALLA	123456 789ABC DEF	

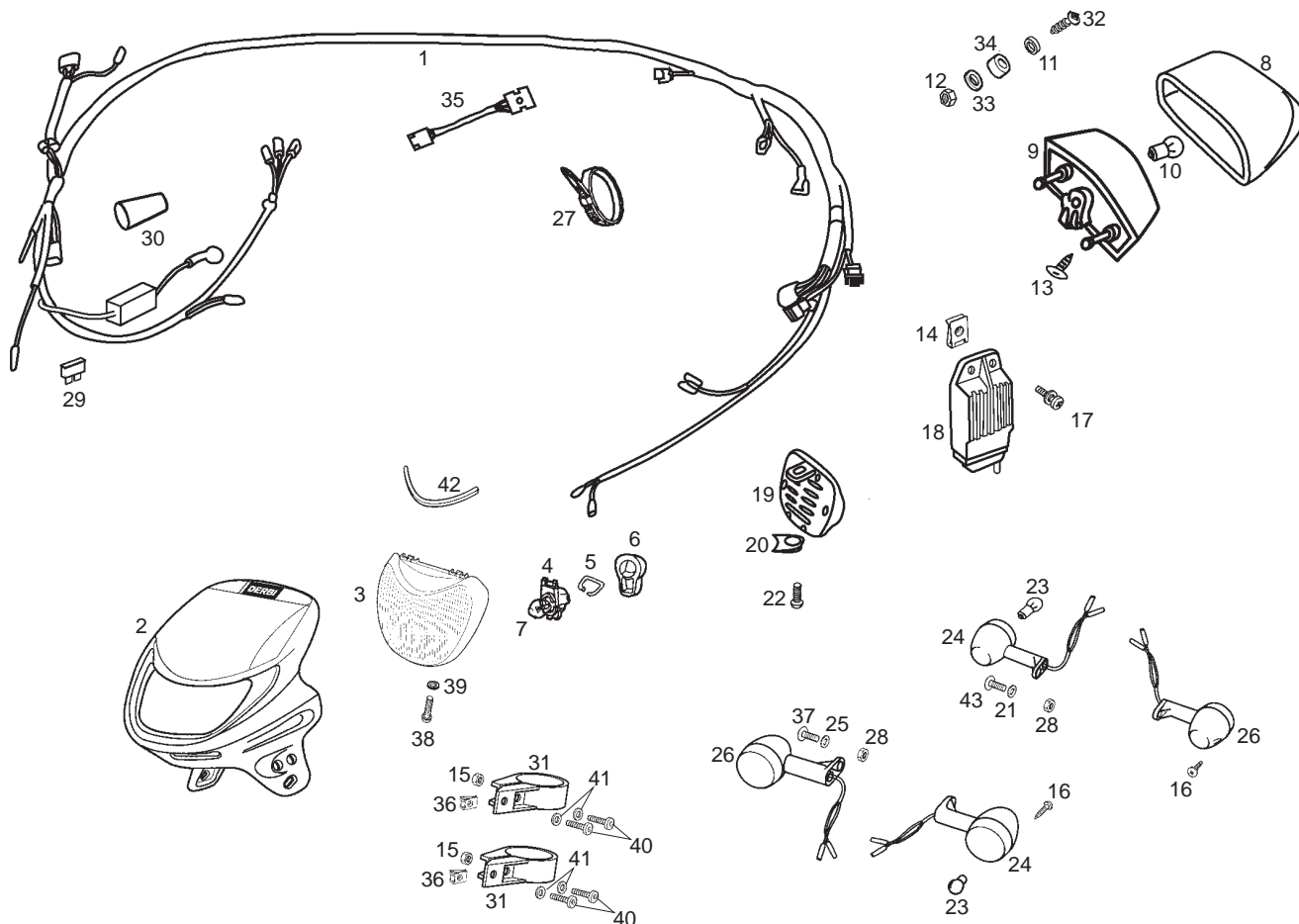


Fig.	Ver.	COD. KOD.	DESCRIPCIÓN DENOMINAZIONE NAME	BEZEICHUNG DESIGNATION	MOD.	NOTAS NOTES NOTA MITSCHRIFT NOTES
31A		00H04612841	BRIDA FIJACION CARCASA FLANGIA CLAMP	BEF.-SCHELLE ENTRETOISE	123456 789ABC DEF	UNTIL FRAME 6H342746
31B		861000	BRIDA FIJACION CARCASA FLANGIA CLAMP	BEF.-SCHELLE ENTRETOISE	123456 789ABC DEF	SINCE FRAME 6H342747
32A		00004053500	TORNILLO C/ALLEN 5 X 35 VITE BOLT	INBUSSCHRAUBE VIS	123456 789ABC DEF	
33A		00H01002821	CASQUILLO GHIERA BEARING	LAGER COUSSINET	123456 789ABC DEF	
34A		00H06800461	SILENTB.FIJ.SOPTE.CARENADO SILENTBLOCK FISS.SUPORTO FAIRING MOUNTING BRACKET SECUR	SILENTBLOCK SILENTBLOC	123456 789ABC DEF	
35A		00H05700481	CTO.TEMPORIZADOR CHECK IND. TEMPORIZZATORE CHECK INP. TIMER CHECK INDICATOR	ZEITSCHALTER FAISCEAU COMPTEUR	123456 789ABC DEF	
36A		00G04401462	TUERCA FIJACION D5 DADO NUT	MUTTER ECROU	123456 789ABC DEF	
37A		00008062000	TORNILLO C/RED ALLEN 6M100X20 VITE SCREW	SCHRAUBE VIS	123456 789ABC DEF	
38A		00000004412	TORNILLO C/ALLEN 4M70X12 VITE SCREW	SCHRAUBE VIS	123456 789ABC DEF	
39A		00H03800722	ARANDELA RONDELLA WASHER	SCHEIBE RONDELLE	123456 789ABC DEF	
40A		00008051600	TORNILLO C/ESF ALLEN 5M80X16 VITE SCREW	SCHRAUBE VIS	123456 789ABC DEF	

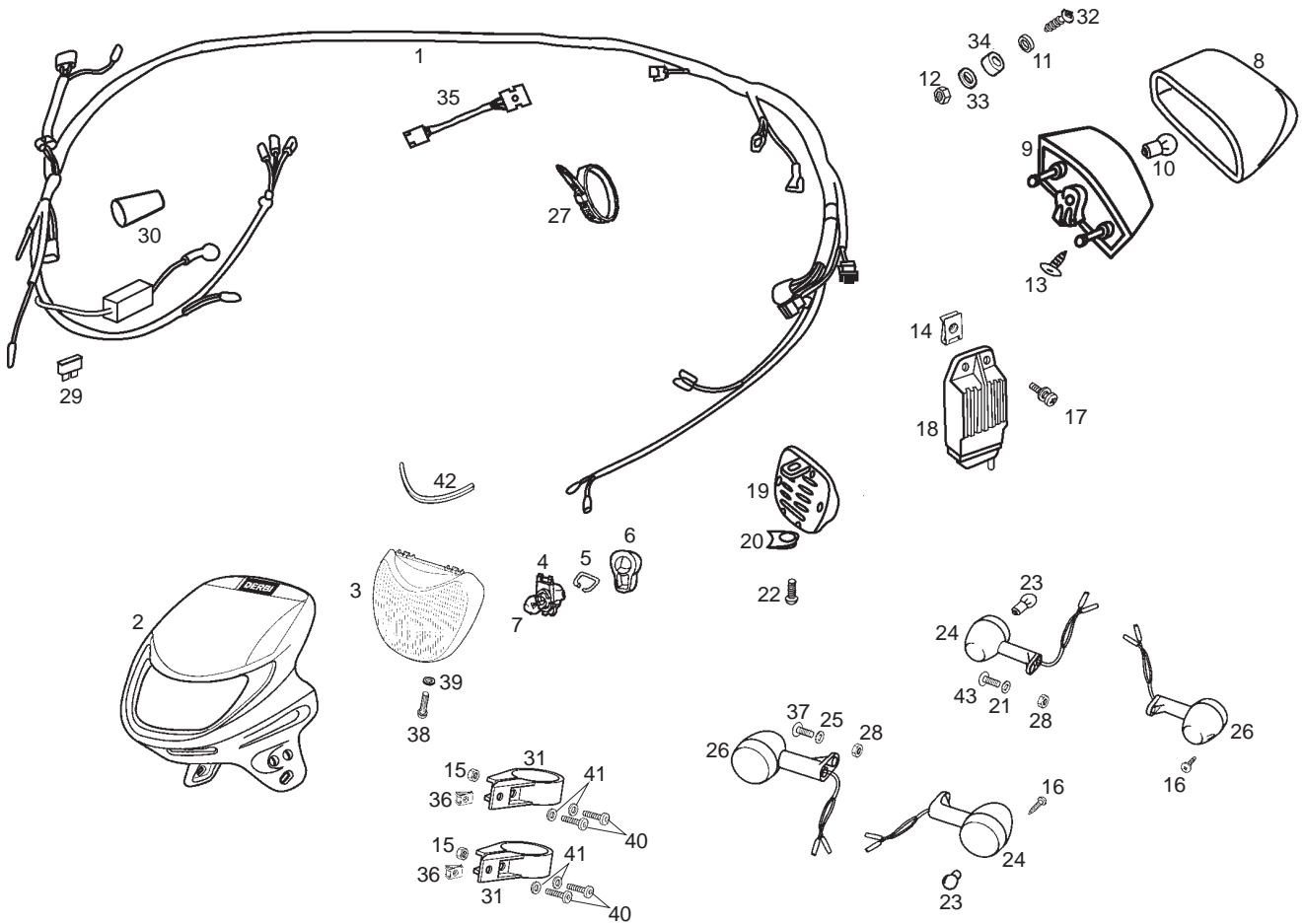


Fig.	Ver.	COD. KOD.	DESCRIPCIÓN DENOMINAZIONE NAME	BEZEICHNUNG DESIGNATION	MOD.	NOTAS NOTES NOTA MITSCHRIFT NOTES
41A		00000031050	ARANDELA PLANA D5 RONDELLA WASHER	SCHEIBE RONDELLE	123456 789ABC DEF	
42A		00H05701101	TOPE FERMO FARO HEADLIGHT STOP	ANSCHLAG SCHEINWERFER BUTÉE PHARE	123456 789ABC DEF	
43A		00008061500	TORNILLO C/RED ALLEN 6M100X16 VITE SCREW	SCHRAUBE VIS	123456 789ABC DEF	

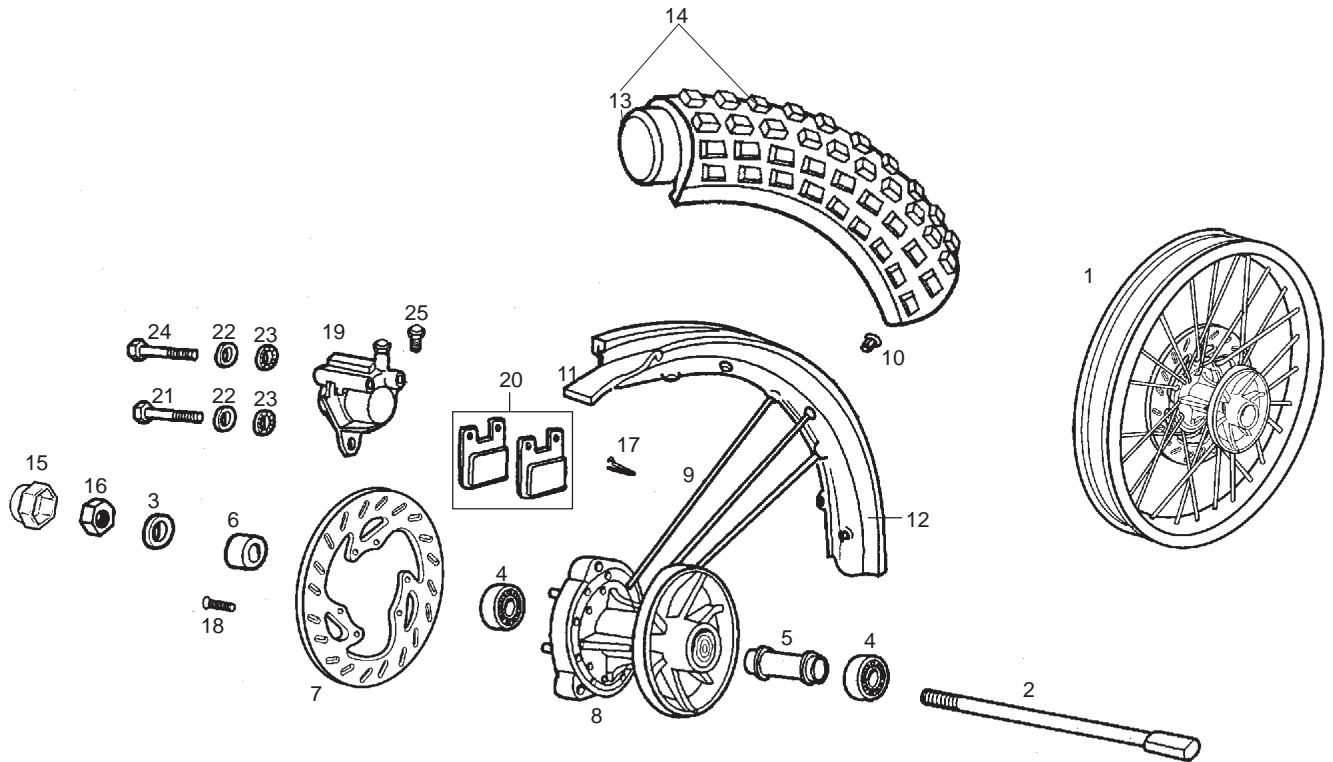


Fig.	Ver.	COD. KOD.	DESCRIPCIÓN DENOMINAZIONE NAME	BEZEICHNUNG DESIGNATION	MOD.	NOTAS NOTES NOTA MITSCHRIFT NOTES
01A		00H04724081	R-CTO RUEDA DT C/DISCO R-COMPL. RUOTA C/DISCO FRONT WHEEL W/DISC	VORDERRAD M/BREMSSSCHEIBE ROUE AVEC DISQUE	123456 789ABC DEF	
02A		00H01203272	EJE RUEDA DTRA. ASSE RUOTA ANTERIORE AXLE FRONT WHEEL	VORDERRADACHSE AXE DE ROUE AV.	123456 789ABC DEF	
03A		00003112322	ARANDELA EJE RUEDA. RONDELLAASSE RUOTA FRONT WHEEL AXLE WASHER	SHEIBE RADACHSE RONDELLE AXE ROUE	123456 789ABC DEF	
04A		00058120100	COJINETE 12.32.10 CUSCINETTO BEARING	LAGER PALIER	123456 789ABC DEF	
05A		00D01300091	SEPARADOR COJINETES SEPARATORE CUSCINETTI SPACER	DISTANZHULSE ENTRETOISE	123456 789ABC DEF	
06A		00008213182	CASQUILLO LADO PLATO CHIERA LATO PIATTO SIDEFLAGE SLEEVE	DISTANZHULSE ENTRETOISE	123456 789ABC DEF	
07A		00H01209021	DISCO FRENO DELANTERO DISCO FRENO ANTERIORE FRONT BRAKE DISC	SCHEIBE NBREMSE VORN DISQUE FREIN AVANT	123456 789ABC DEF	
08A		00H01205711	CTO. CARRETE DTRO. MOZZO ANT. FRONT HUB ASSY	RADNABE MOYEU	123456 789ABC DEF	
09A		00H01206061	RADIO RUEDA DT RAGGIO RUOTA ANT. WHEEL ARM.	SPEICHE RAYON DE ROUE	123456 789ABC DEF	
10A		00002212070	TUERCA RADIO. DADO NUT	MUTTER ECROU	123456 789ABC DEF	
11A		00D01201091	PROTECTOR CAMARA PROTETTORE CAMERA RUOTA RIM STRIP	FELGELBAND PROTECTEUR DE CHAMBRE A AIR	123456 789ABC DEF	

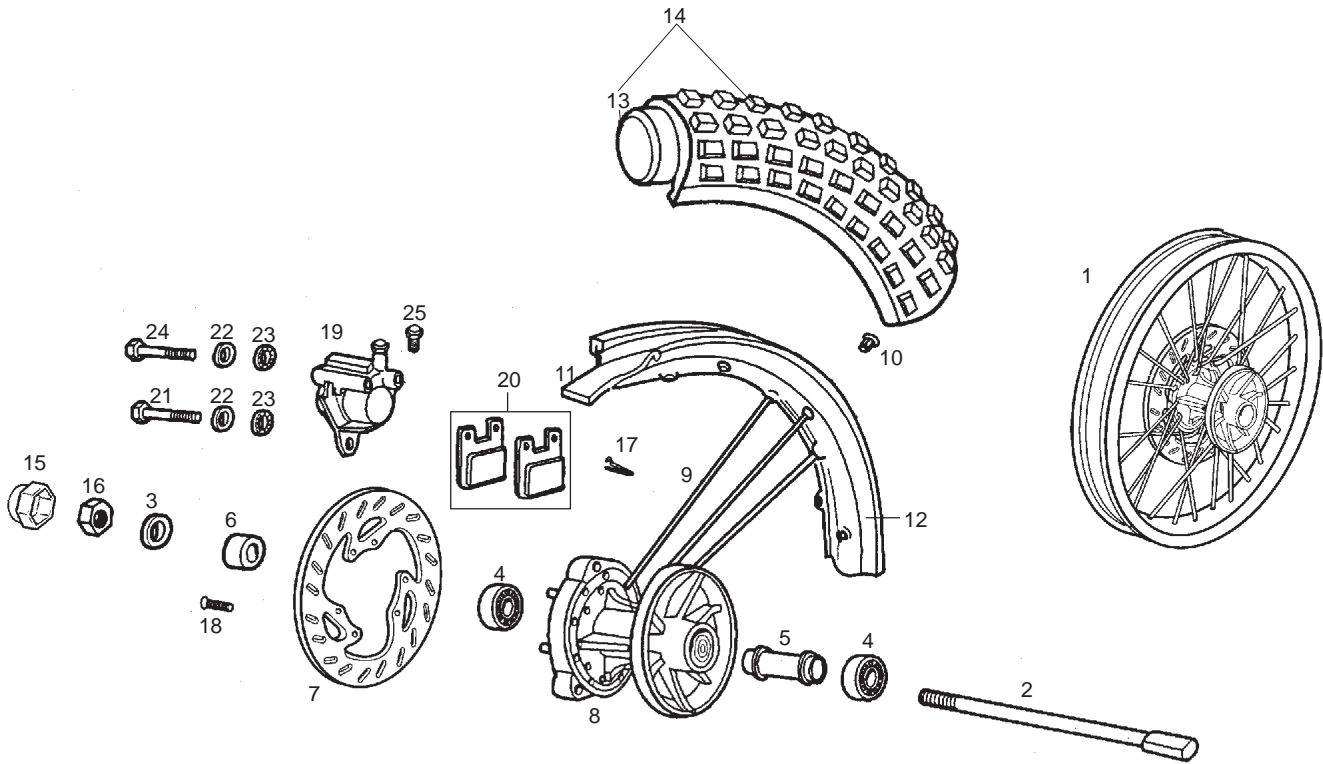


Fig.	Ver.	COD. KOD.	DESCRIPCIÓN DENOMINAZIONE NAME	BEZEICHNUNG DESIGNATION	MOD.	NOTAS NOTES NOTA MITSCHRIFT NOTES
12A		00H01212082	R-LLANTA DT 1,6X21" CERCHIONE RUOTA ANT. FRONT WHEEL RIM	VORDERRADFELGE JANTE AV.	123456 789ABC DEF	
13A		00H01206101	CAMARA CAMERA DIARIA FRONT TUBE	SCHLAUCH VORNE CHAMBRE A AIR	123456 789ABC DEF	
14A		00H01208111	CTO. CUBIERTA DT 21" COPERTORE ANT. FRONT CASING	REIFEN BORN PNEU AV.	123456 789ABC DEF	
15A		00H01202331	PROTECTOR TUERCA DADO NUT	MUTTER ECROU	123456 789ABC DEF	
16A		00232120032	TUERCA EXAGONAL 12M150 DADO NUT	MUTTER ECROU	123456 789ABC DEF	
17A		00H01301831	MUELLE FIJ. PASTILLA FRENO MOLLA FISSAGGIO PASTIGLIA FREN REAR BRAKE PAD SECUR SPRING	FEDER RESSORT FIXATION PLAQUETTE	123456 789ABC DEF	
18A		00H02402282	TORNILLO FIJ.DISCO FRENO VITE SCREW	SCHRAUBE VIS	123456 789ABC DEF	
19A		00H01202193	R-CTO PINZA FRENO DT PINZA LEFT-HAND FRONT CLIP ASSY	BREMSZANGE ENS.ETRIER DE FREIN	123456 789ABC DEF	
20A		00G04700141	JUEGO PASTILLAS DE FRENO CONG. PASTIGLIE FRENO SET OF BRAKE PADS	DIE GESAMTHEIT BREMSBACKEN ENS. PLAQUETTE DE FREIN	123456 789ABC DEF	
21A		00022083021	TORNILLO 8M125X30 VITE SCREW	SCHRAUBE VIS	123456 789ABC DEF	
22A		00402080001	ARANDELA D8 RONDELLA WASHER	SCHEIBE RONDELLE	123456 789ABC DEF	

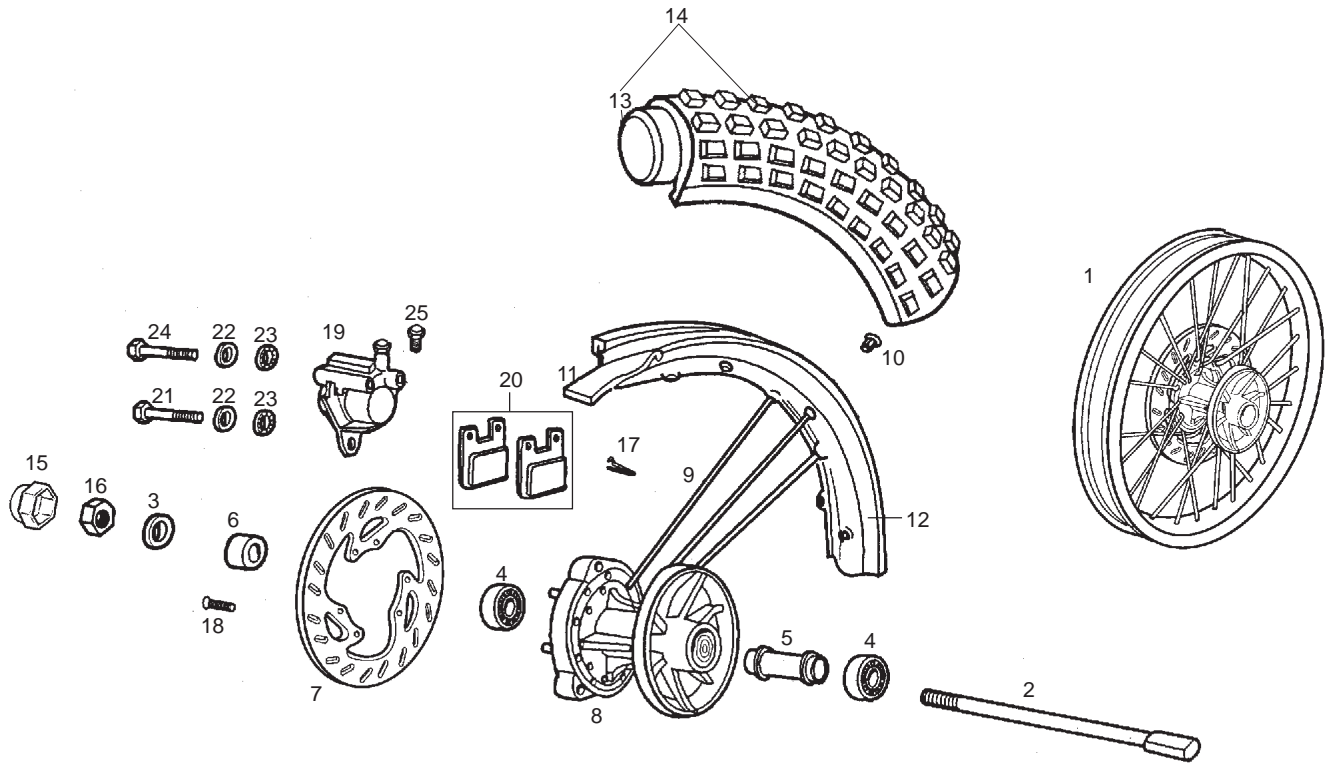
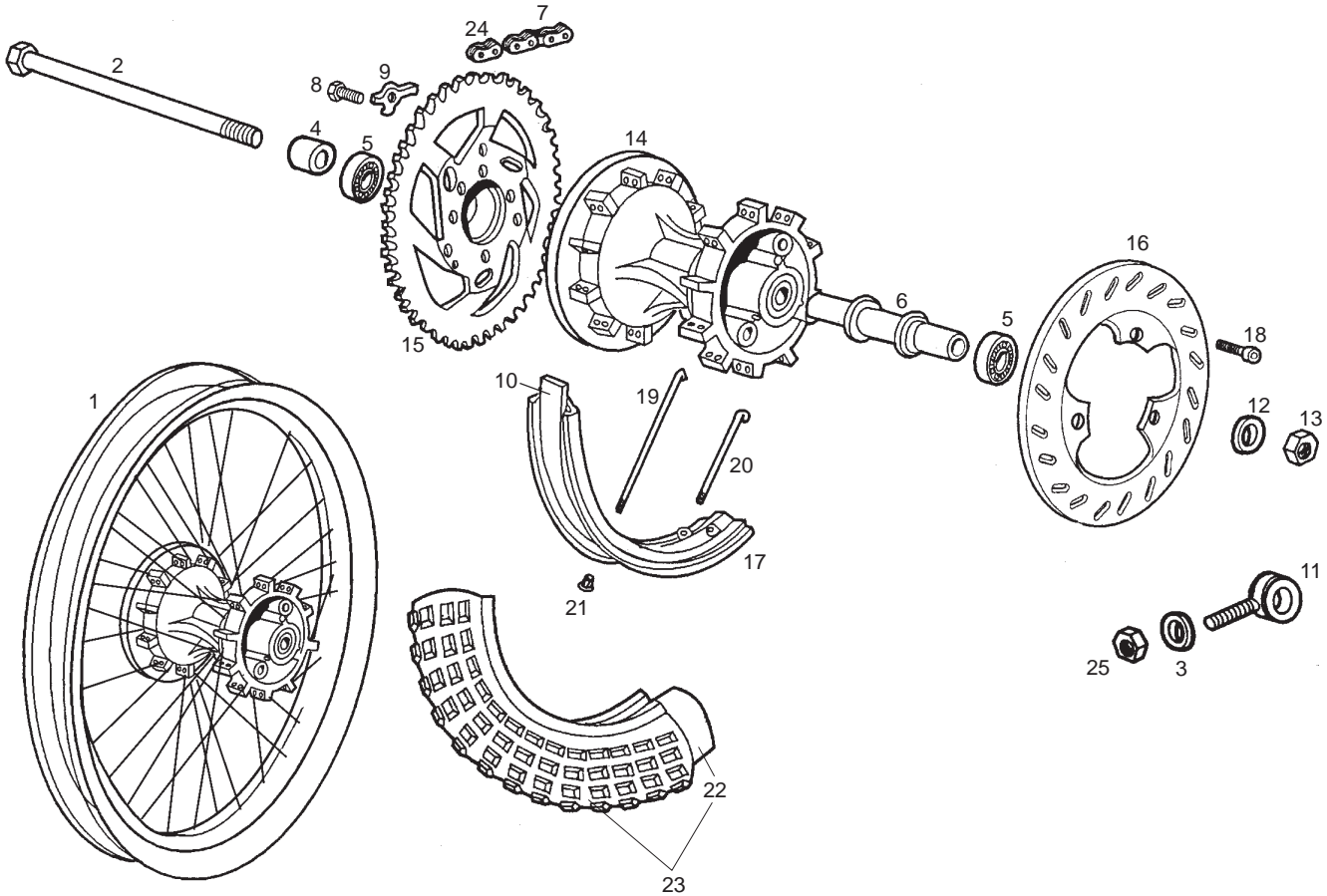


Fig.	Ver.	COD. KOD.	DESCRIPCIÓN DENOMINAZIONE NAME	BEZEICHNUNG DESIGNATION	MOD.	NOTAS NOTES NOTA MITSCHRIFT NOTES
23A		00034000802	ARANDELA ESTRELL.INT.D8 RONDELLA WASHER	SCHEIBE RONDELLE	123456 789ABC DEF	
24A		00031086022	TORNILLO C/EX. 8M125X60 VITE SCREW	SCHRAUBE VIS	123456 789ABC DEF	
25A		00F04700121	R-CTO. PURGADOR PINZA FRENO DT. R-SPURGO FRONT BRAKE BLEED CLIP ASSY	ABLASSHAHN R-ENS.PURGEUR PINCE FREIN A	123456 789ABC DEF	



**RUEDA SIN DISCO Y SIN PLATO
WHEEL WITHOUT DISC AND DRIVE PLATE**

Fig.	Ver.	COD. KOD.	DESCRIPCIÓN DENOMINAZIONE NAME	BEZEICHNUNG DESIGNATION	MOD.	NOTAS NOTES NOTA MITSCHRIFT NOTES
01A		00H02404332	R-CTO.LLANTA TR.C/CAR2,15X18INOX CERCHIONE CON MOZZO REAR RIM WITH HUB	HINTERRAD MIT RADNABE ROUE ARRIERE AVEC MOYEU	123456 789ABC DEF	
02A		00H01304202	CTO. EJE RDA. TRAS. SUBASSE RUOTA POSTER REAR WHEEL AXLE SUB-ASSEMBLY G	HINTERRADACHSE AXE ROUE ARRIERE	123456 789ABC DEF	
03A		00402060001	ARANDELA D6 RONDELLA WASHER	SCHEIBE RONDELLE	123456 789ABC DEF	
04A		00001113192	CASQUILLO GRUESO LADO PLATO GHIERA LATO PIATTO SPACER	DISTANZHULSE ENTRETOISE	123456 789ABC DEF	
05A		00058120100	COJINETE 12.32.10 CUSCINETTO BEARING	LAGER PALIER	123456 789ABC DEF	
06A		00H01304091	SEPARADOR COJINETES SEPARATORE CUSCINETTI SPACER	DISTANZHULSE ENTRETOISE	123456 789ABC DEF	
07A		00H01502201	CADENA SECUNDARIA 130 P CATENA SEZ. TRANSMISSION CHAIN	KETTE CHAINE TRANSMISSION	12 45 78 AB DE	
07B		00H01506201	CADENA SECUNDARIA 136 P CATENA SEZ. TRANSMISSION CHAIN	KETTE CHAINE TRANSMISSION	3 6 9 C F	
08A		00002182000	TORNILLO C/EXAG.8M125X20 VITE SCREW	SCHRAUBE VIS	123456 789ABC DEF	
09A		00H01302052	PREC.TORNILLO PLATO ARRAST VITE SCREW	SCHRAUBE VIS	123456 789ABC DEF	
10A		00D01301401	PROTECTOR CAMARA PROTEZIONE CAMERA RUOTA POSTER RIM STRIP	FELGELBAND PROTECTEUR DE CHAMBRE A AIR	123456 789ABC DEF	

**RUEDA SIN DISCO Y SIN PLATO
WHEEL WITHOUT DISC AND DRIVE PLATE**

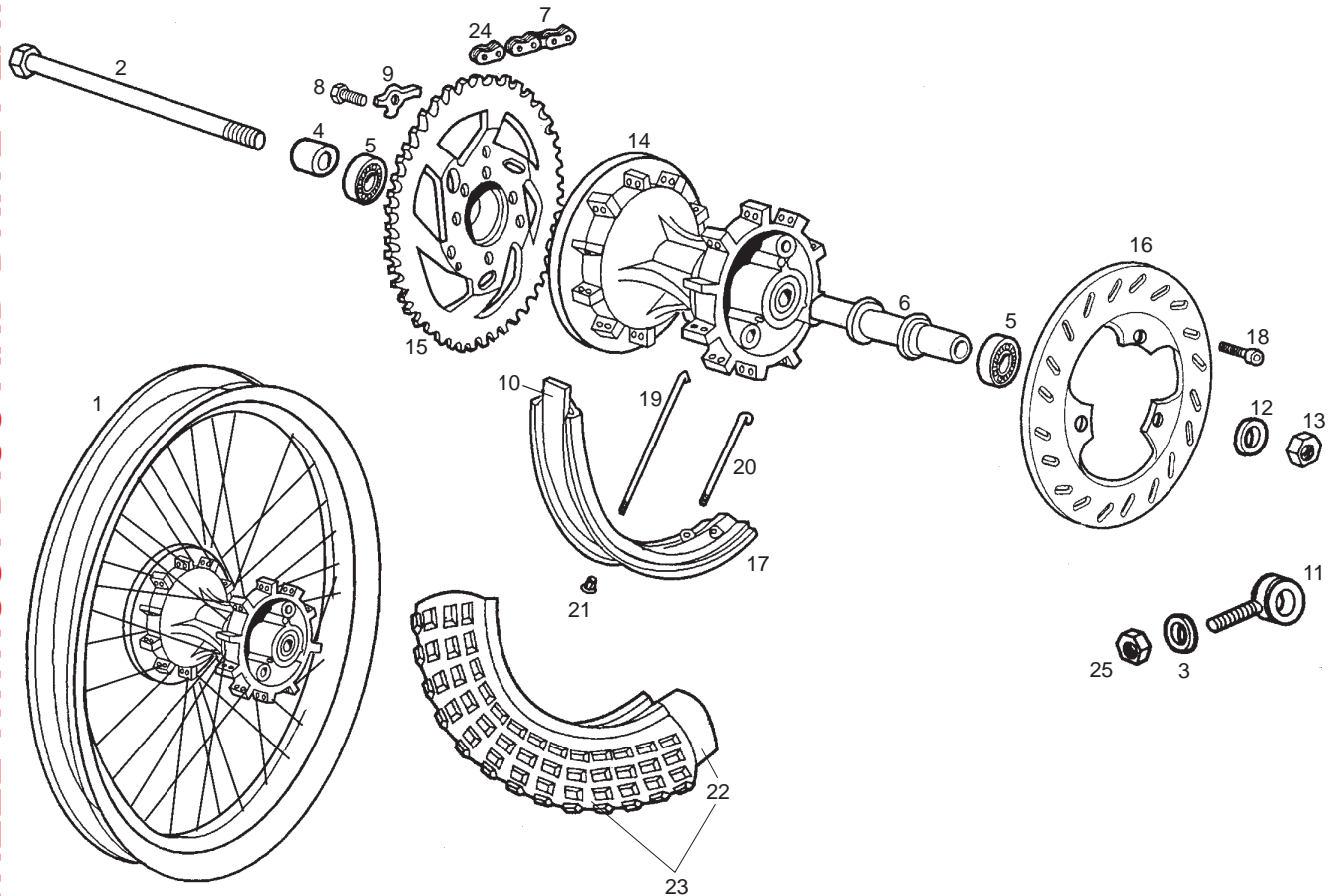
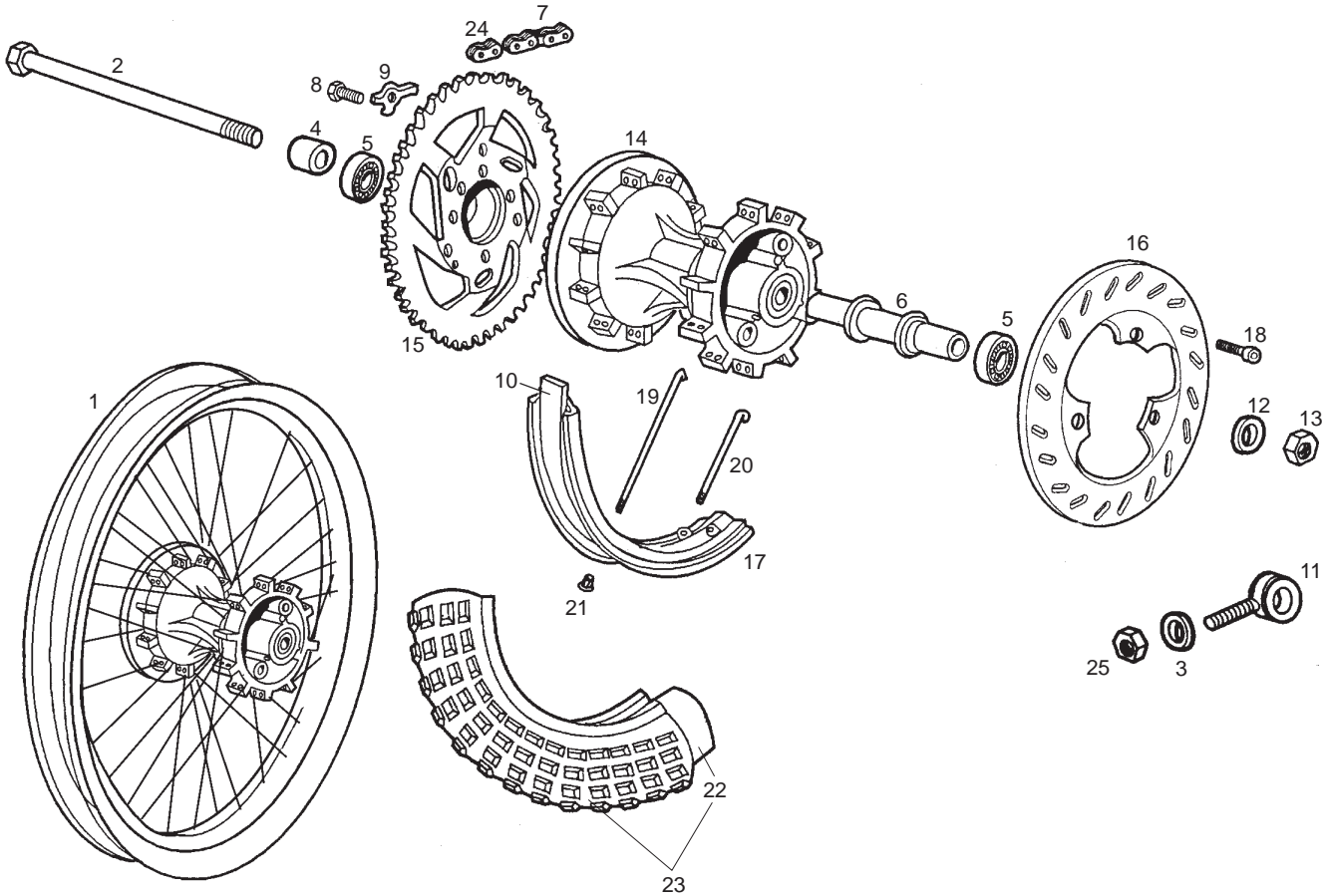


Fig.	Ver.	COD. KOD.	DESCRIPCIÓN DENOMINAZIONE NAME	BEZEICHNUNG DESIGNATION	MOD.	NOTAS NOTES NOTA MITSCHRIFT NOTES
11A		00H01302172	SCTO.TENSOR RUEDA SUBTENSORE RUOTA SEN ADJUSTER, REAR WHEEL	HINTERRADSPANNER TENDEUR DE ROUE ENSEMBLE	123456 789ABC DEF	
12A		00F01210312	ARANDELA EJE RONDELLA WASHER	SCHEIBE RONDELLE	123456 789ABC DEF	
13A		00262120032	TUERCA AUTOBLOCANTE 12M150 DADO NUT	MUTTER ECROU	123456 789ABC DEF	
14A		00H01307821	CTO.CARRETE TRASERO MOZZO POST. REAR COIL	RADNABE MOYEU ARRIERE	123456 789ABC DEF	
15A		00H01317031	PLATO ARRASTRE Z-53 PIATTO TRAINO DRIVE PLATE	MITNEHMERSCHEIBE COURONNE ARRIERE	12 45 78 AB DE	
15B		00H01326031	PLATO ARRASTRE Z-65 PIATTO TRAINO DRIVE PLATE	MITNEHMERSCHEIBE COURONNE ARRIERE	3 6 9 C F	
16A		00H01305531	DISCO FRENO TR. DISCO FRENO POSTERIORE REAR BRAKE DISC	BREMSSSCHEIBE HINTEN DISQUE DE FREIN ARRIERE	123456 789ABC DEF	
17A		00H01302355	LLANTA RUEDA TRASERA 2,15X18" CERCHIONE POSTERIORE REAR RIM	HINTERRADFELGE JANTE ARRIERE NUE.	123456 789ABC DEF	
18A		00H02401282	TORNILLO FIJ.DISCO FR.TR. VITE SCREW	SCHRAUBE VIS	123456 789ABC DEF	
19A		00H01301501	RADIO TRASERO LADO PLATO RADIO POST.LATO PIATTO REAR INNER SPOKE	SPEICHE RAYON ROUE ARRIERE INT.	123456 789ABC DEF	
20A		00H01301691	RADIO TRASERO LADO DISCO RADIO POST. DISCO REAR SHORT INNER SPOKE	SPEICHE RAYON ROUE AR INT.COURT	123456 789ABC DEF	



**RUEDA SIN DISCO Y SIN PLATO
WHEEL WITHOUT DISC AND DRIVE PLATE**

Fig.	Ver.	COD. KOD.	DESCRIPCIÓN DENOMINAZIONE NAME	BEZEICHNUNG DESIGNATION	MOD.	NOTAS NOTES NOTA MITSCHRIFT NOTES
21A		00002212070	TUERCA RADIO. DADO NUT	MUTTER ECROU	123456 789ABC DEF	
22A		00H01308361	CAMARA CAMERA RUOTA POST. REAR WHEEL CAMBER	SCHLAUCH CHAMRE A AIR ARR.	123456 789ABC DEF	
23A		00H01309321	CTO. CUBIERTA TRASERA 18" COPERTONE POST. REAR CASING	REIFEB HINTEN PNEU ARR.	123456 789ABC DEF	
24A		00H01501212	R-ENGANCHE DORAD.CADENA SEC. AGGANCIAMENTO CATENA SICUREZZA MASTER LINK	KETTENSHLOSS ATTACHE RAPIDE	123456 789ABC DEF	
25A		00000023060	TUERCA AUTOBLOCANTE 6M100 DADO NUT	MUTTER ECROU	123456 789ABC DEF	

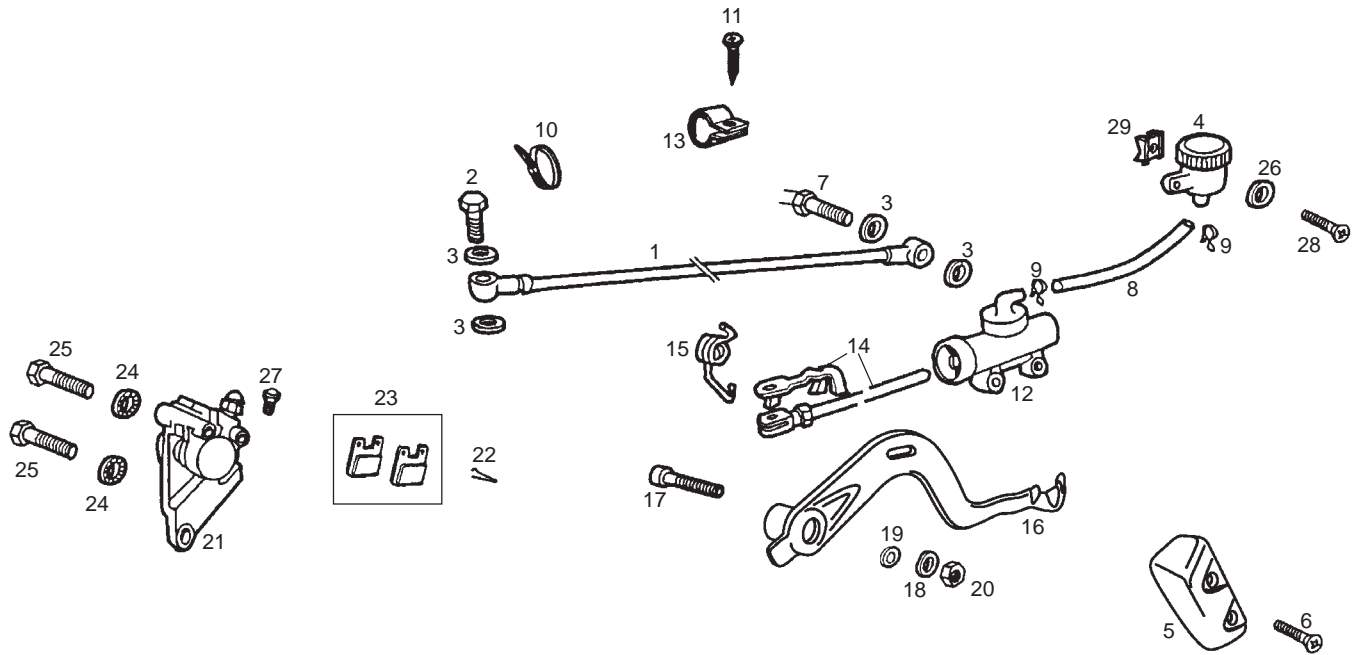


Fig.	Ver.	COD. KOD.	DESCRIPCIÓN DENOMINAZIONE NAME	BEZEICHUNG DESIGNATION	MOD.	NOTAS NOTES NOTA MITSCHRIFT NOTES
01A		00H01109081	TUBO LIQUIDO FRENO TRASERO TUBO LIQUIDO FRENO BRAKE ROD	BREMSSCHLAUCH TIGE DE FREIN	123456 789ABC DEF	
02A		00006309260	RACORD TUBO HIDRAULICO RACCORDO TUBO IDRAULICO HYDRAULIC TUBE CONNECTOR	STUTZEN HIDRAULIKLEITUNG RACCORD TUYAU HYDRAULIQUE	123456 789ABC DEF	
03A		00006321040	ARANDELA JUNTA RACORD RONDELLA WASHER	SCHEIBE RONDELLE	123456 789ABC DEF	
04A		00D01100201	CTO. DPSTO. LIQUIDO FRENO TRASERO SERBATOIO LIQUIDO FR FLUID TUBE TANK	BEHALTER RESERVOIR FLUID TUBE	123456 789ABC DEF	
05A		00H01101731	PROTECT.BOMBA PROTEZIONE FRENO POSTERIORE REAR BRAKE, PROTECTOR	ABDECKUNG PROTECTEUR ENS.COMMANDE FRE	123456 789ABC DEF	
06A		00G01503701	TORNILLO VITE SCREW	SCHRAUBE VIS	123456 789ABC DEF	
07A		00H01001701	CTO. INTERRUPTOR STOP COMP.INTERUTTORE FANALINO SWITCH, STOP LIGHT	STOPCHALTER VO. INTERRUPTEUR COMMANDE STOP	123456 789ABC DEF	
08A		00H01101211	TUBO DPSTO. A BOMBA FRENO TRAS. TUBO SERBATOIO A POMPA FRENO P REAR FLUID TUBE	SCHLAUCH FLEXIBLE DE FREIN ARRIERE	123456 789ABC DEF	
09A		00H03700131	ABRAZADERA ELASTICA RONDELLA STELLA INTERIORE ELASTIC CLAMP	SHELLE ELAST. COLLIER ELASTIQUE	123456 789ABC DEF	
10A		00F00900531	BRIDA FLANGIA UNIONE CAVI BLACK CABLE TIE	KABELBINDER COLLIER	123456 789ABC DEF	
11A		00011141300	TORNILLO AUT.C/CR.NG.4,8X13 VITE SCREW	SCHRAUBE VIS	123456 789ABC DEF	

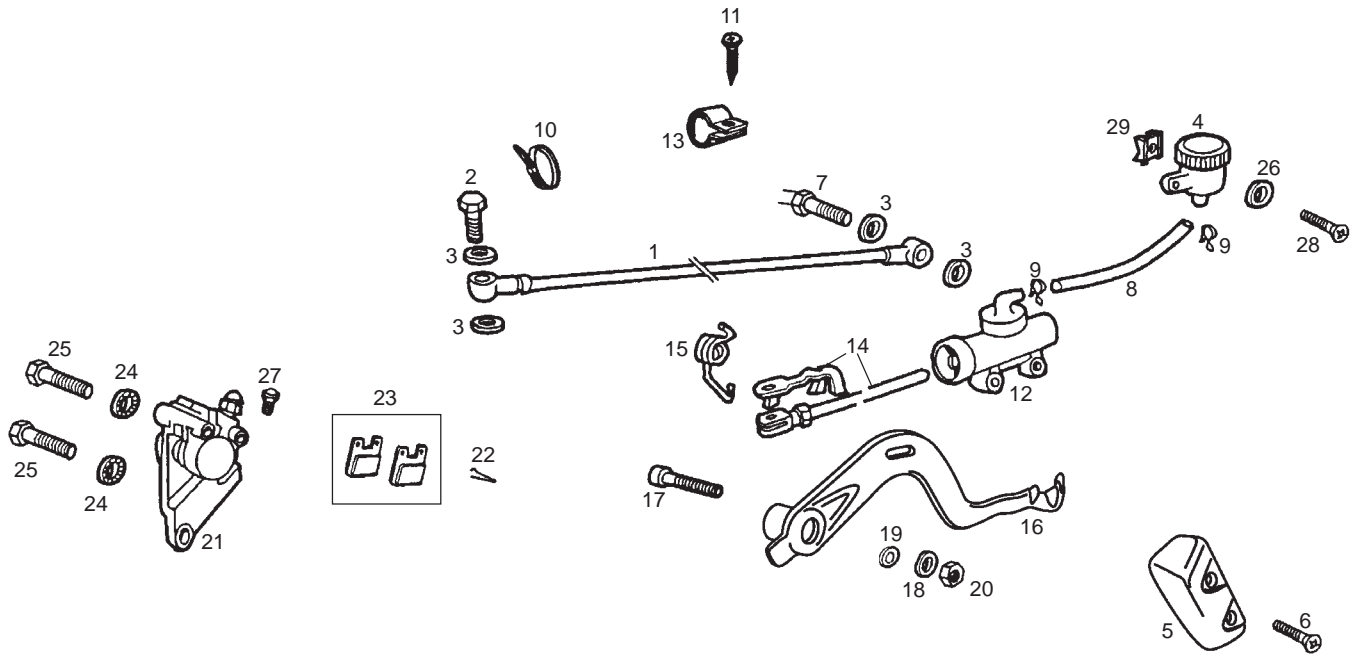


Fig.	Ver.	COD. KOD.	DESCRIPCIÓN DENOMINAZIONE NAME	BEZEICHNUNG DESIGNATION	MOD.	NOTAS NOTES NOTA MITSCHRIFT NOTES
12A		00H01102181	CTO. BOMBA FRENO TRASERO FRENO POSTERIORE REAR BRAKE CONTROL ASSY	REAR BRAKE CONTROL ASSY. ENSEMBLE COMMANDE FREIN ARRIER	123456 789ABC DEF	
13A		00H01501811	BRIDA FLANGIA CLAMP	BEF.-SCHELLE ENTRETOISE	123456 789ABC DEF	
14A		00H01103611	CTO.VARILLA BOMBA FRENO COMP.ASTA POMPA FRENO REAR BRAKE ROD	BREMSTANGE TIGE DE FREIN ARRIERE	123456 789ABC DEF	
15A		00H01102072	MUELLE PEDAL FR. TRASERO MOLLA PEDALE FRENO POSTERIORE SPRING PEDAL BRAKE	FEDER RESSORT PEDALE FREIN	123456 789ABC DEF	
16A		00H01120021	PALANCA FRENO PEDALE FRENO BRAKE PEDAL	FUSSBREMSHEBEL PEDALE DE FREIN AR.	123456 789ABC DEF	
17A		00H01100172	TORNILLO FIJACION PALANCA VITE PEDALE FRENO BRAKE PEDAL BRAKE	INBUSSCHRAUBE FUSSBREMSHEBEL BOULON PEDALE DE FREIN	123456 789ABC DEF	
18A		00402080001	ARANDELA D8 RONDELLA WASHER	SCHEIBE RONDELLE	123456 789ABC DEF	
19A		00005527540	ARANDELA RONDELLA WASHER	SCHEIBE RONDELLE	123456 789ABC DEF	
20A		00023108000	TUERCA AUTOBLOCANTE 8M125 DADO NUT	MUTTER ECROU	123456 789ABC DEF	
21A		00H01104583	R-CTO PINZA FRENO TRASERA PINZA REAR CLIP ASSEMBLY	BREMSSZANGE HINTEN ETRIER FREIN ARR.	123456 789ABC DEF	
22A		00H01301831	MUELLE FIJACION MOLLA FISSAGGIO PASTIGLIA FREN REAR BRAKE PAD SECUR SPR.	FEDER RESSORT FIXATION PLAQUETTE	123456 789ABC DEF	

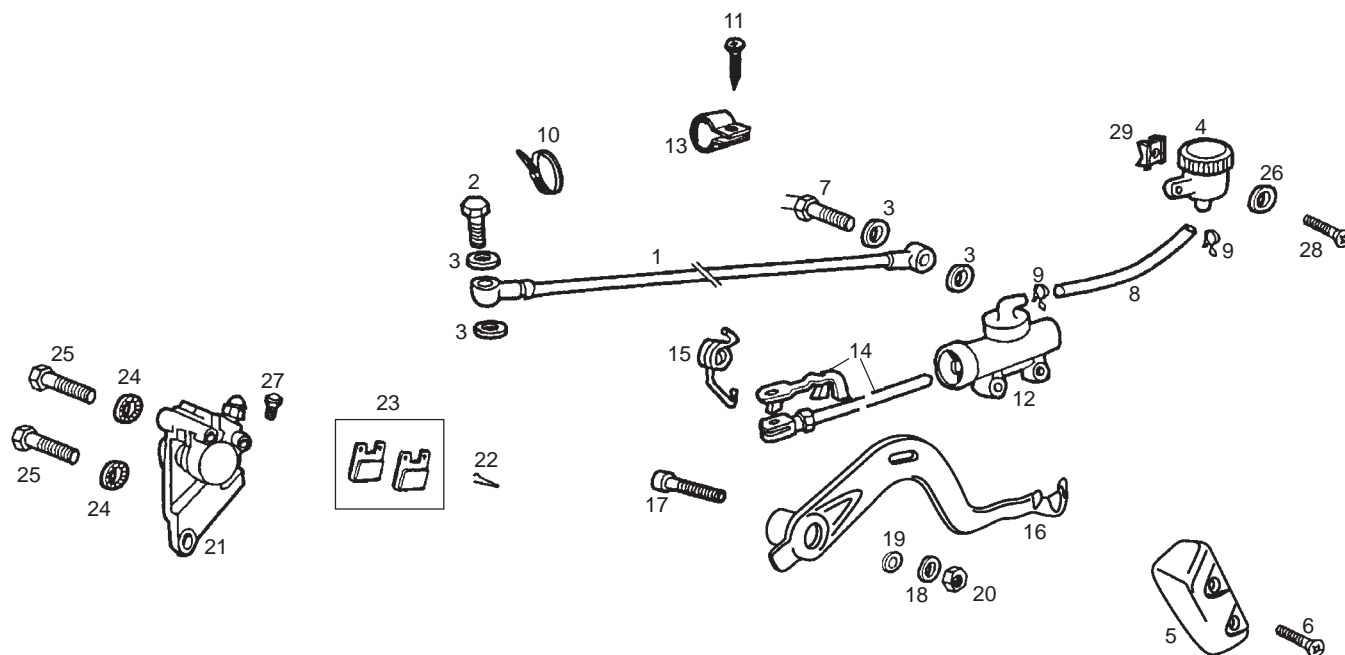


Fig.	Ver.	COD. KOD.	DESCRIPCIÓN DENOMINAZIONE NAME	BEZEICHNUNG DESIGNATION	MOD.	NOTAS NOTES NOTA MITSCHRIFT NOTES
23A		00G04700141	JUEGO PASTILLAS DE FRENO CONG. PASTIGLIE FRENO SET OF BRAKE PADS	DIE GESAMTHEIT BREMSBACKEN ENS. PLAQUETTE DE FREIN	123456 789ABC DEF	
24A		00034000802	ARANDELA ESTRELLA D8 RONDELLA WASHER	SCHEIBE RONDELLE	123456 789ABC DEF	
25A		00000002840	TORNILLO C/EXAG. 8M125X40 VITE SCREW	SCHRAUBE VIS	123456 789ABC DEF	
26A		00D02600631	ARANDELA RONDELLA WASHER	SCHEIBE RONDELLE	123456 789ABC DEF	
27A		00F04700121	R-CTO. PURGADOR PINZA FRENO R-SPURGO FRONT BRAKE BLEED CLIP ASSY	ABLASSHAHN R-ENS. PURGEUR PINCE FREIN A	123456 789ABC DEF	
28A		00012151500	TORNILLO C/RED.ALLEN.5M100X16 VITE SCREW	SCHRAUBE VIS	123456 789ABC DEF	
29A		00G04401462	TUERCA FIJACION D5 DADO NUT	MUTTER ECROU	123456 789ABC DEF	

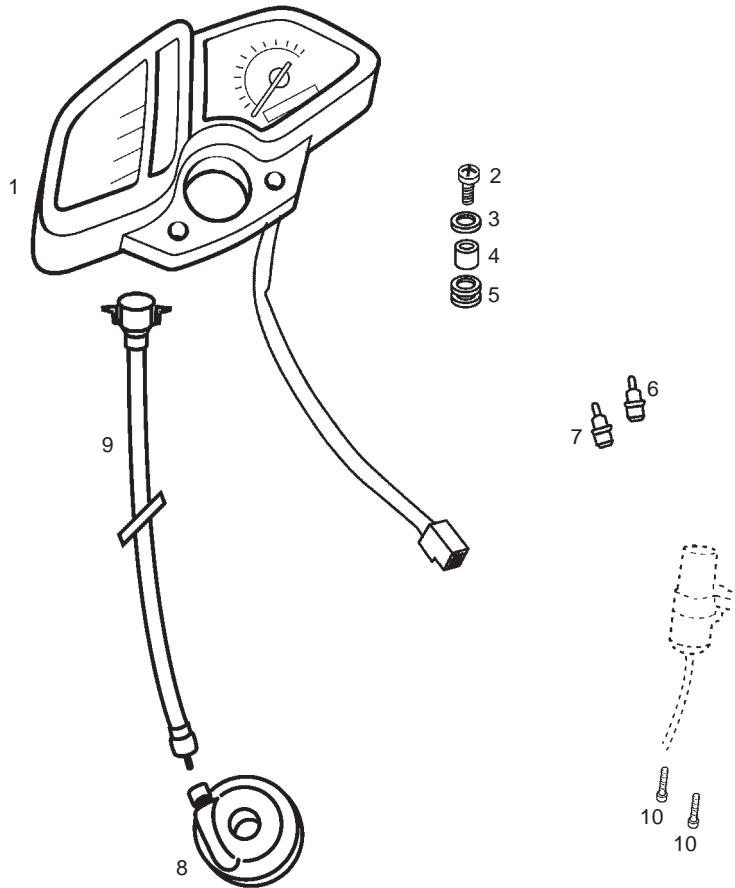


Fig.	Ver.	COD. KOD.	DESCRIPCIÓN DENOMINAZIONE NAME	BEZEICHNUNG DESIGNATION	MOD.	NOTAS NOTES NOTA MITSCHRIFT NOTES
01A		00H01625521	CTO TABLIER SENDA R X-RACE (KM/H) CRUSCOTTO (KM/H) DASH ASSY (KM/H)	INSTRUMENTERHALTER (KM/H) BOITIER TABLEAU BORD (KM/H)		KILOMETERS PER HOUR
01B		00H01628521	CTO TABLIER SENDA R X-RACE (MILE/H) CRUSCOTTO (MILE/H) DASH ASSY (MILE/H)	INSTRUMENTERHALTER (MILE/H) BOITIER TABLEAU BORD (MILE/H)		MILES PER HOUR
02A		00012152000	TORNILLO C/RED.CRUIZ 5M80X20 VITE SCREW	SCHRAUBE VIS	123456 789ABC DEF	
03A		00454050001	ARANDELA RONDELLA WASHER	SCHEIBE RONDELLE	123456 789ABC DEF	
04A		00H01600911	CASQUILLO GHIERA SILENT.FISS.CRUSCOT.FE BUSHING	FUHRUNGSBUCHSE GABELSCHENK ENTRETOISE	123456 789ABC DEF	
05A		00D01500021	PASACABLES PORTACAVI IST. FARAFANGO POST. GROMMET	GUMMI CAOUTCHOUC PASSE-CABLE	123456 789ABC DEF	
06A		00G01602581	R-CTO. PORTALAMP/LAMP. 12V 1,2 W PORTALAMPADE BULB HOLDER AND BULB	LAMPENHALTER R-PORTE-LAMPES	123456 789ABC DEF	
07A		00G01601581	R-CTO. PORTALAMP/LAMP. 12V 2 W PORTALAMPADE BULB HOLDER AND BULB	LAMPENHALTER R-PORTE-LAMPES	123456 789ABC DEF	
08A		00G01606051	CTO. REENVIO. RINVIO RETURN UNIT.	RETURN UNIT. RENOI DE ROUE	123456 789ABC DEF	
09A		00H01616021	CTO. CABLE-FUNDA CUENTA KM CAVO-GUAINA CONTACHI CABLE, SPEEDOMETER DRIVE	TACHOWELLE ENSEMB.CABLE-GAINE COMPTEUR	123456 789ABC DEF	
10A		00002082021	TORNILLO 8M125X20 VITE SCREW	SCHRAUBE VIS	123456 789ABC DEF	

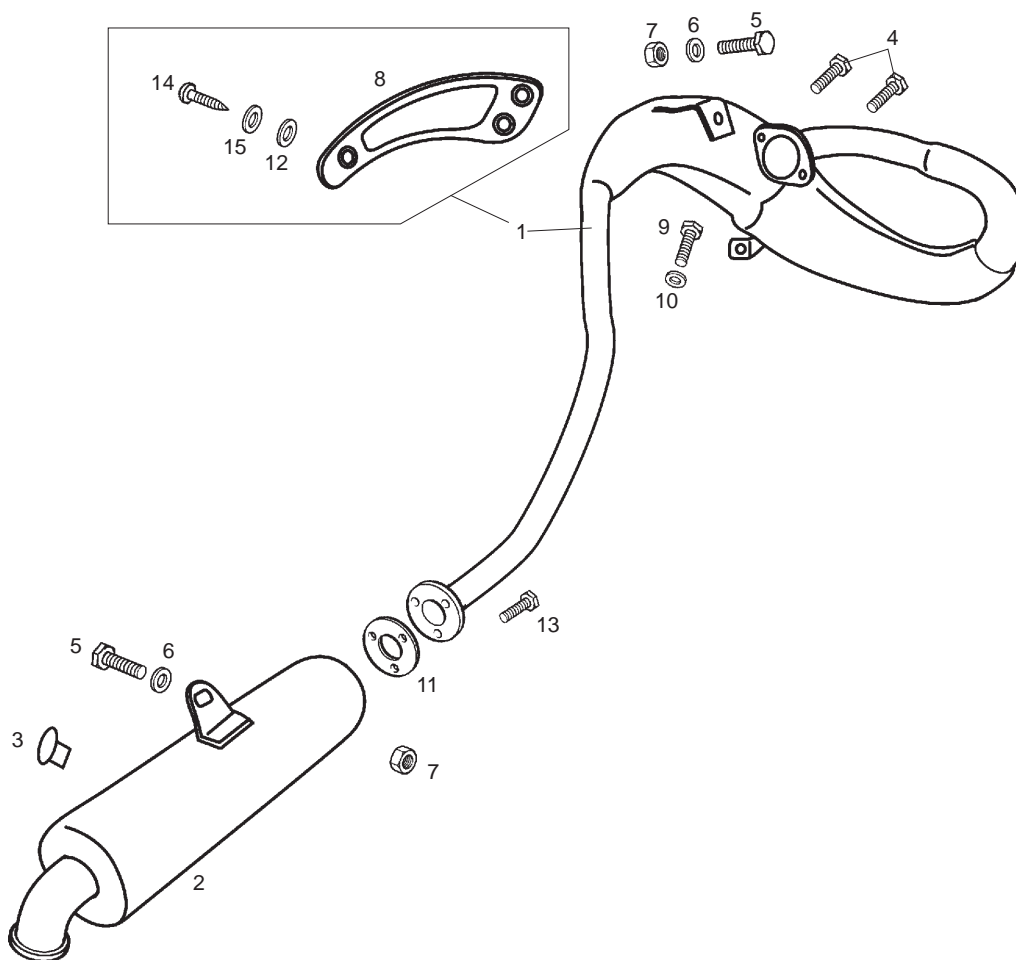


Fig.	Ver.	COD. KOD.	DESCRIPCIÓN DENOMINAZIONE NAME	BEZEICHUNG DESIGNATION	MOD.	NOTAS NOTES NOTA MITSCHRIFT NOTES
01A		00H03453081	TUBO ESCAPE SUBCOMP.TUBO SCAPP-SIL. EXHAUST PIPE AND MUFFLER	AUSPUFF ENSEMBLE TUBE DIECHAPPEMENT	12 45 78 AB DE	
01B		00H03446081	TUBO ESCAPE SUBCOMP.TUBO SCAPP-SIL. EXHAUST PIPE AND MUFFLER	AUSPUFF ENSEMBLE TUBE DIECHAPPEMENT	3 6 9 C F	
02A		00H03423411	SCTO SORDINA SENDA R SUBCOMP.SORD. EXHAUST TANK	SCHALLDAMPFER SILENCIEUX DIECHAPPEMENT	12 3 4 5 6 7 8 9 ABC DEF	
03A		00G01500951	TOPE GOMA APPOGGIO ZAMPA CAVALLETO SIDE STAND REST	GUMMISTOPPEL APPUI BEQUILLE LATERALE	12 3 4 5 6 7 8 9 ABC DEF	
04A		00002062011	TORNILLO C/ALLEN.6M100X20 VITE SCREW	SCHRAUBE VIS	12 3 4 5 6 7 8 9 ABC DEF	
05A		00012081621	TORNILLO 8M125X16 VITE SCREW	SCHRAUBE VIS	12 3 4 5 6 7 8 9 ABC DEF	
06A		00402080001	ARANDELA D8 RONDELLA WASHER	SCHEIBE RONDELLE	12 3 4 5 6 7 8 9 ABC DEF	
07A		00023108000	TUERCA AUTOBLOCANTE 8M125 DADO NUT	MUTTER ECROU	12 3 4 5 6 7 8 9 ABC DEF	
08A		00H01800402	PROTECTOR SILENCIADOR PROTEZIONE SILENZIATORE SILENCER SHIELD	SCHALLDAEMPERSCHUTZ PROTECT.SIL.	12 3 4 5 6 7 8 9 ABC DEF	
09A		00004061600	TORNILLO C/ALLEN 6M100X16 VITE SCREW	SCHRAUBE VIS	12 3 4 5 6 7 8 9 ABC DEF	
10A		00000033060	ARANDELA PLANA RONDELLA WASHER	SCHEIBE RONDELLE	12 3 4 5 6 7 8 9 ABC DEF	

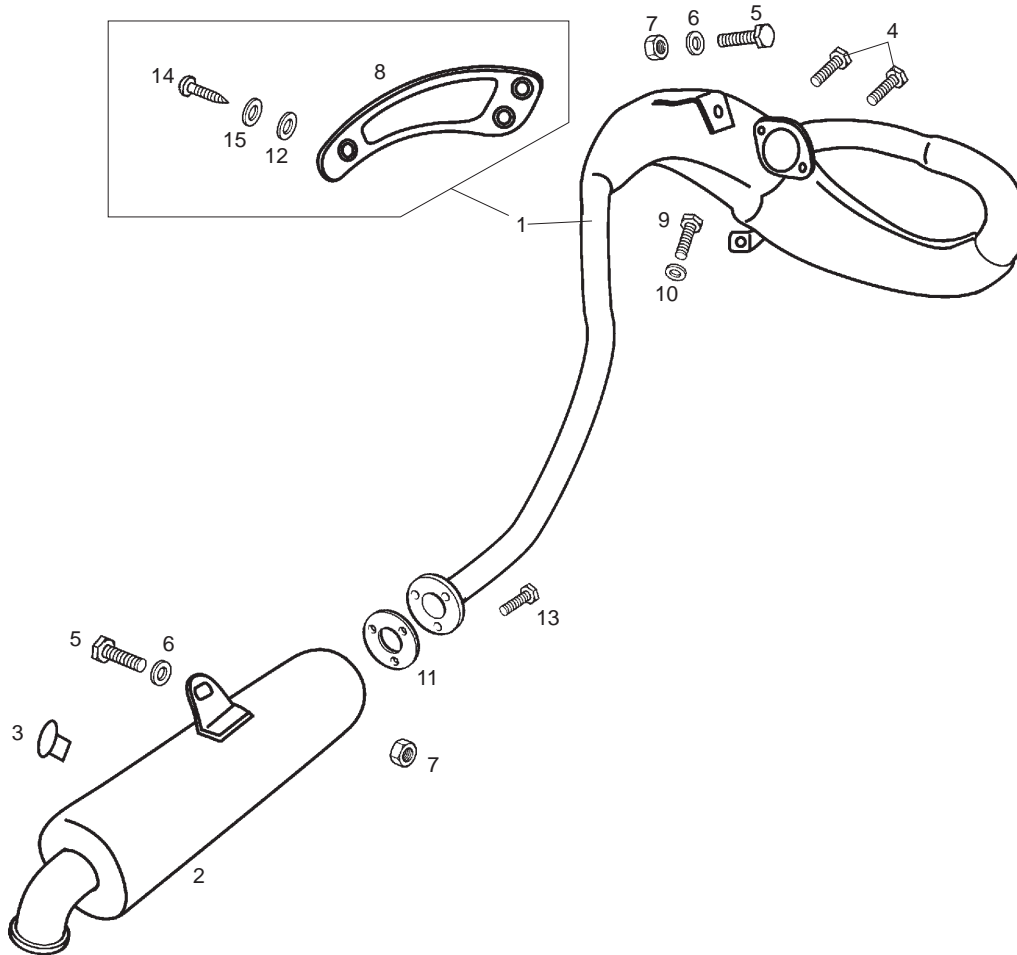


Fig.	Ver.	COD. KOD.	DESCRIPCIÓN DENOMINAZIONE NAME	BEZEICHNUNG DESIGNATION	MOD.	NOTAS NOTES NOTA MITSCHRIFT NOTES
11A		00H03404321	JUNTA GUARNIZIONE GASKET	DICHTUNG JOINT	123456 789ABC DEF	
12A		00D02600631	ARANDELA RONDELLA FERMO MOLLA FRIZIONE CLUTCH SPRING STOP WASHER	SCHEIBE ROND.BÜTEE RESSORT EMBRAYA.	123456 789ABC DEF	
13A		00D05910081	TORNILLO VITE SCREW	SCHRAUBE VIS	123456 789ABC DEF	
14A		00000012415	TORNILLO VITE SCREW	SCHRAUBE VIS	123456 789ABC DEF	
15A		00F04201361	REMACHE RIBADITURA RIVET	RIVET RIVET	123456 789ABC DEF	

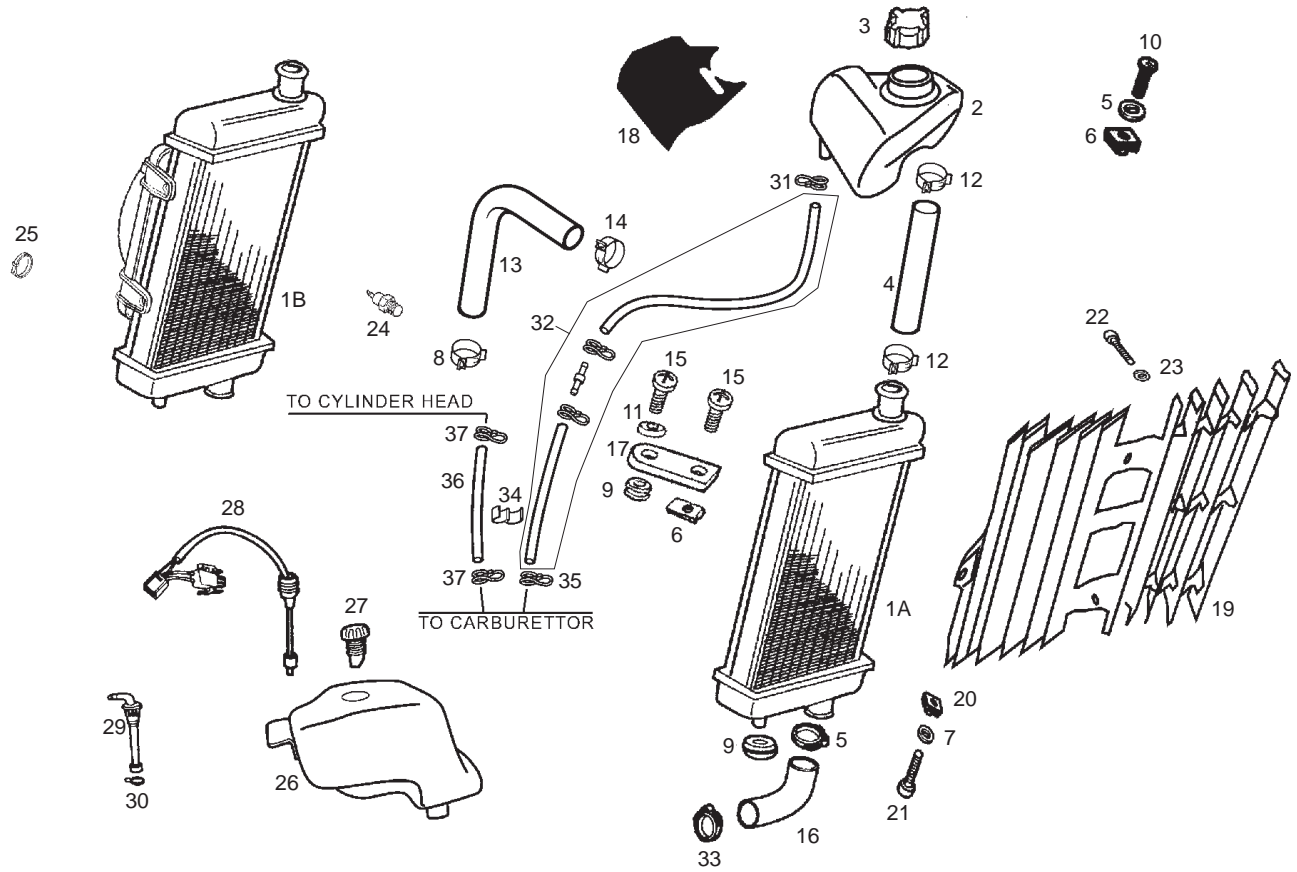


Fig.	Ver.	COD. KOD.	DESCRIPCIÓN DENOMINAZIONE NAME	BEZEICHNUNG DESIGNATION	MOD.	NOTAS NOTES NOTA MITSCHRIFT NOTES
01A		00H03805011	RADIADOR SUBRADIATORE RADIATOR ASSY.	RADIATOR ASSY. RADIATEUR	1 4 7 A D	
01B		00H03802541	RADIADOR CON ELECTROVENTILADOR SUBRADIATORE RADIATOR ASSY.	RADIATOR ASSY. RADIATEUR	23 56 89 BC EF	
02A		00H03810501	DEPOSITO AGUA RADIADOR SERBATOIO ACQUA RADIATORE WATER TANK	WASSERBEHALTER VASE DIEXPANSION	12 45 78 AB DE	
02B		00H03802501	DEPOSITO AGUA RADIADOR SERBATOIO ACQUA RADIATORE WATER TANK	WASSERBEHALTER VASE DIEXPANSION	3 6 9 C F	
03A		00H03802472	CTO.TAPON DEPOSITO AGUA TAPPO RADIATORE/SERBATOIO WATER RESERVOIR/RAD CAP ASSY	KUEHLERDECKEL BOUCHON DE RESERVOIR D,EAU	123456 789ABC DEF	
04A		00G03800601	TUBO BOCA ENTRADAAGUA-RADIADOR TUBO TUBE	SCHLAUCH TUYAU	123456 789ABC DEF	
05A		00H03800751	ABRAZADERA 21/8 W4 FASCETTA FISSAGGIO MANICA RADI CLAMP FASTERING RADIATOR BUSHI	OIL TANK FLANGE TUBE BRIDE TUBE RESPIRATION RISERVO	123456 789ABC DEF	
06A		00D01501371	TUERCA FIJACION D6 DADO NUT	MUTTER ECROU	123456 789ABC DEF	
07A		00000031050	ARANDELA PLANA D5 RONDELLA WASHER	SCHEIBE RONDELLE	123456 789ABC DEF	
08A		00H03802751	ABRAZADERA 24/8W4 FASCETTA CLAMP	BEF. SCHELLE COLLIER	123456 789ABC DEF	
09A		00008915020	PROTECCION CABLES PROTEZIONE CAVI RUBBER,CABLE PROTECTOR	GUMMI PASSE-CABLE	123456 789ABC DEF	

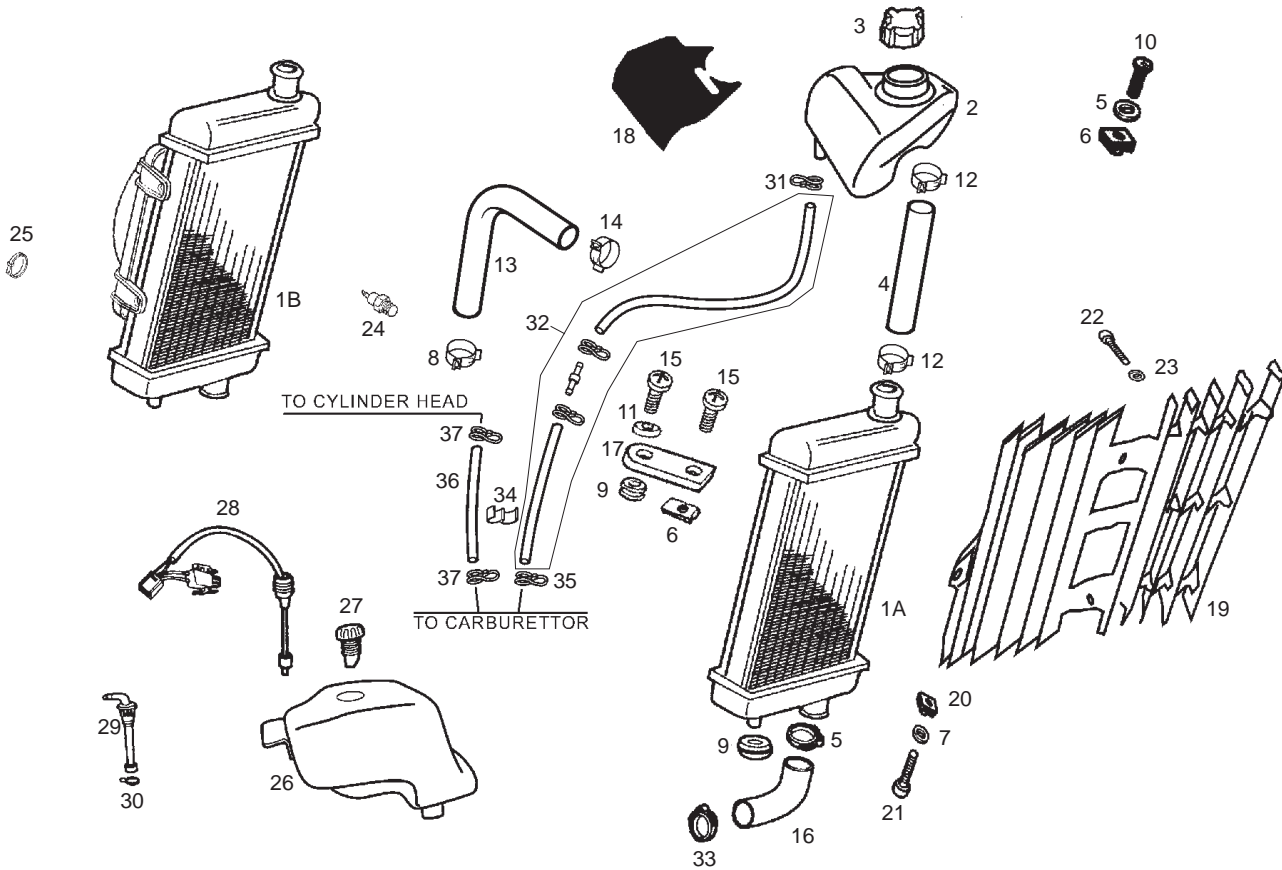


Fig.	Ver.	COD. KOD.	DESCRIPCIÓN DENOMINAZIONE NAME	BEZEICHNUNG DESIGNATION	MOD.	NOTAS NOTES NOTA MITSCHRIFT NOTES
10A		00012161600	TORNILLO C/CRUZ.NG.6M100X16 VITE SCREW	SCHRAUBE VIS	123456 789ABC DEF	
11A		00D01500552	CAZOLETA SCADELLINO FISSAGGIO HOUSING EXHAUST PIPE SUPPORT	ABDECKSCHEIBE CUVETTE	123456 789ABC DEF	
12A		00G03801701	ABRAZADERA FASCETTA FISSAGGIO MANICA RADI CLAMP FASTERING RADIATOR BUSHI	OIL TANK FLANGE TUBE BRIDE TUBE RESPIRATION RÏSERVO	123456 789ABC DEF	
13A		00H03808021	TUBO CULATA-RADIADOR TUBO TESTATA-RACCORDO TERMOCON CYLINDER HEAD PIPE-TERMOCONTACT	WASSERSCHLAUCH TUBE	123456 789ABC DEF	
14A		00H03800751	ABRAZADERA 21/8W4 FLANGIA FISSAGGIO SECURING CLAMP	BEF.-SHELLE COLLIER	123456 789ABC DEF	
15A		00092061214	TORNILLO C/RED CRUZ 6M100X12 VITE SCREW	SCHRAUBE VIS	123456 789ABC DEF	
16A		00H03802031	TUBO BOMBA-RADIADOR TUBO REFRIGERAZIONE POMPA-RADI RADIATOR PUMP RUBBER TUBE	KUHLMITTELSCHLAUCH PUMPE K TUBE POMPE-RADIATEUR	123456 789ABC DEF	
17A		00G02200692	OREJA SUP.SOPORTE RADIADOR PIASTRA SUPPORTO SUPERIORE UPPER RADIATOR SUPPORT	OESE KUEHLERBLOCK OERILLE SUPERIEURE SUPPORT RAD	123456 789ABC DEF	
18A		00H03801711	CALCA DEPOSITO AGUA ADESIVO DECAL	SCHRIFTZUG ADHESIF	123456 789ABC DEF	
19A		00H03805301	REJILLA RADIADOR GRIGLIA RADIATORE RADIATOR GRID	RADIATOR RADIATEUR	123456 789ABC DEF	
20A		00G04401462	TUERCA FIJACION D5 DADO NUT	MUTTER ECROU	123456 789ABC DEF	

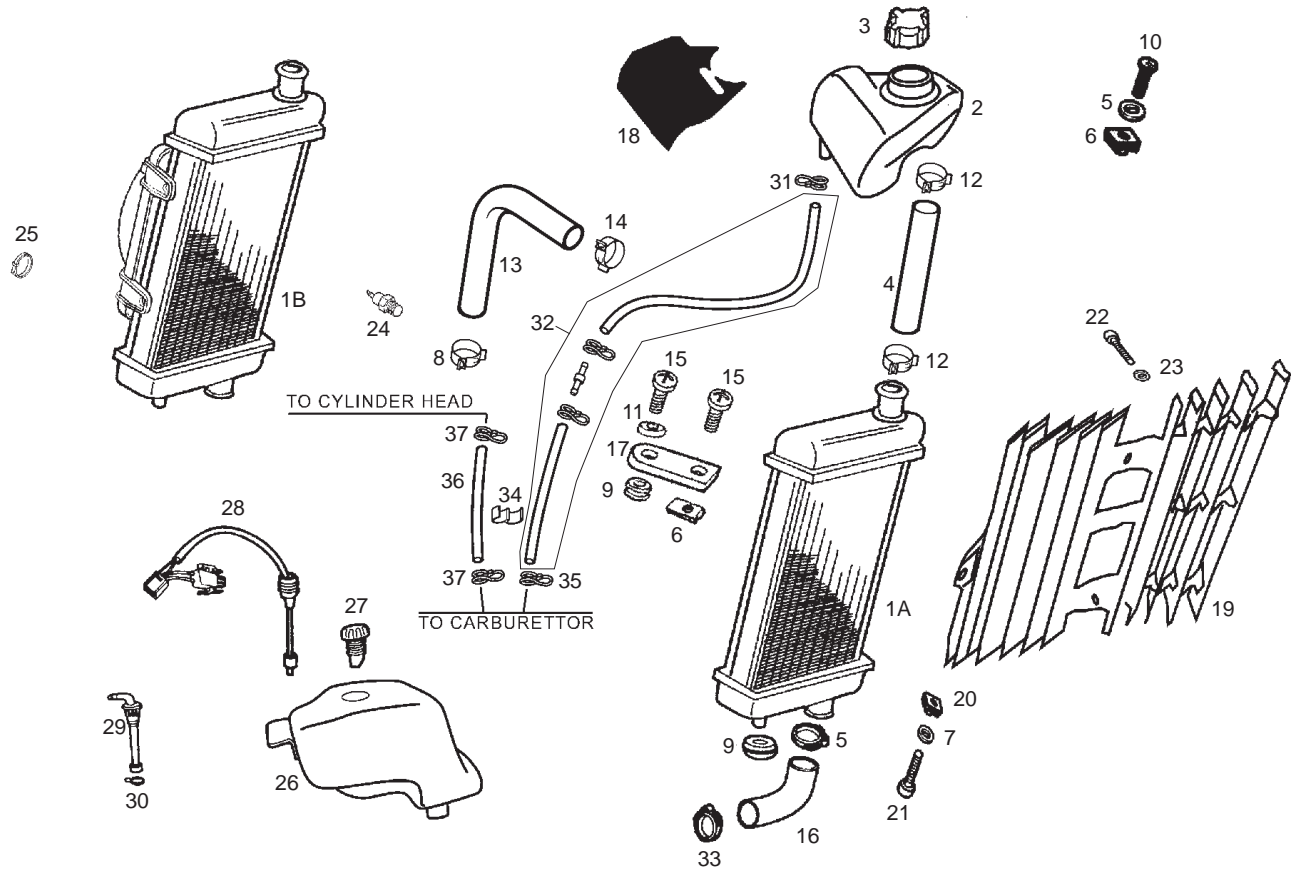


Fig.	Ver.	COD. KOD.	DESCRIPCIÓN DENOMINAZIONE NAME	BEZEICHUNG DESIGNATION	MOD.	NOTAS NOTES NOTA MITSCHRIFT NOTES
21A		00012151500	TORNILLO C/RED.ALLEN.5M100X16 VITE SCREW	SCHRAUBE VIS	123456 789ABC DEF	
22A		00011141300	TORNILLO AUT.C/CR.NG.4,8X13 VITE SCREW	SCHRAUBE VIS	123456 789ABC DEF	
23A		00D02600631	ARANDELA RONDELLA WASHER	SCHEIBE RONDELLE	123456 789ABC DEF	
24A		00G03800741	TERMOCONTACTO ELECTROVENTILADOR TERMOCONTATTO ELETTRVENTOLA THERMOCONTACT ELECTROVENTILATO	THEMPERATURFUHLER THERMOCONTACTEUR	23 56 89 BC EF	
25A		00A00900531	BRIDA FLANGIA UNIONE CAVI BLACK CABLE TIE	KABELBINDER COLLIER	23 56 89 BC EF	
26A		00H03704081	SCTO.DEPOSITO ACEITE SUBSERBATOIO OLIO SE OIL, TANK	OILTANK RESERVOIR D,HUILE	123456 789ABC DEF	
27A		00F03710241	CTO.TAPON DEPOSITO ACEITE TAPPO SERBATOIO OLIO OIL RESERVOIR FILLER PLUG ASSY	STOPFEN OELTANK ENS. BOUCHON RESERV.HUILE S	123456 789ABC DEF	
28A		00H03703051	CTO. INDICADOR NIVEL ACEITE TAPPO SERBATOIO OLIO OIL RESERVOIR FILLER PLUG ASSY	OLSTANDSGEBER NIVEAU D#HUILE	123456 789ABC DEF	
29A		00H03701411	CTO.FILTRO ACEITE. FILTRO OLIO BY-PAS OIL FILTER	FILTER FILTRE A HUILLE	123456 789ABC DEF	
30A		00G00400501	ABRAZADERA FIJACION GRIFO FASCETTA ELASTICA CLAMP	BEF.-SCHELLE ENTRETOISE	123456 789ABC DEF	
31A		00D03700131	ABRAZADERA ELASTICA 9,8-10,4 FASCETTA CLAMP	FLANGE BRIDE	12 45 78 AB DE	

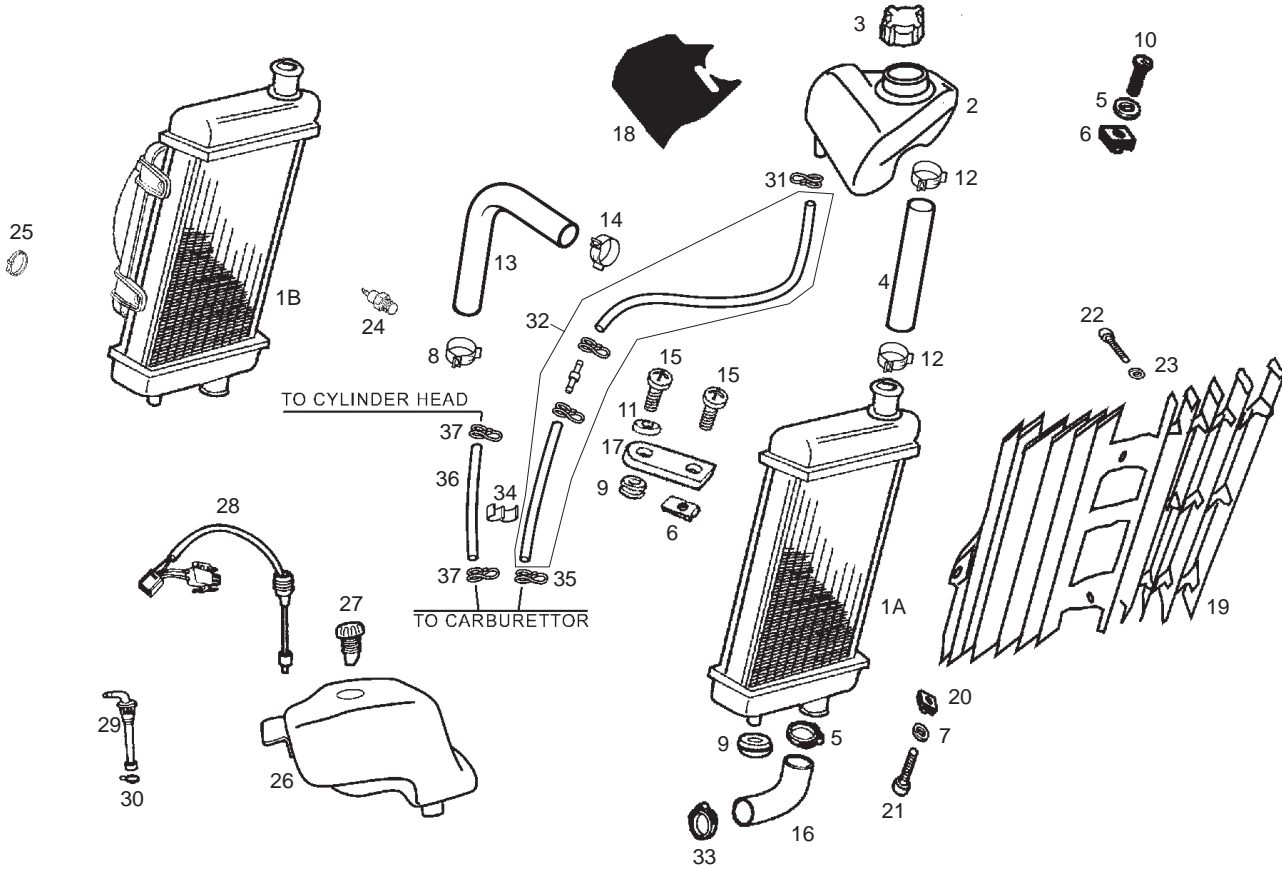


Fig.	Ver.	COD. KOD.	DESCRIPCIÓN DENOMINAZIONE NAME	BEZEICHNUNG DESIGNATION	MOD.	NOTAS NOTES NOTA MITSCHRIFT NOTES
32A		00H03804971	SCTO TUBO DEPOSITO EXP-CARB. TUBO TUBE	SCHLAUCH TUYAU	12 45 78 AB DE	
33A		00H03802091	ABRAZADERA 23/8 W4 FASCETTA FISSAGGIO MANICA RADI CLAMP FASTERING RADIATOR BUSHI	OIL TANK FLANGE TUBE BRIDE TUBE RESPIRATION RÏSERVO	12 3 4 5 6 7 8 9 ABC DEF	
34A		00H03805091	BRIDA FIJACION TUBOS FLANGIA CLAMP	SHELLE COLLIER	12 45 78 AB DE	
35A		00H00400501	ABRAZADERA ELASTICA 7,8-8,3 FASCETTA CLAMP	FLANGE BRIDE	12 45 78 AB DE	
36A		00H03801961	TUBO CARBURADOR-RACORD CULATA TUBO TUBE	SCHLAUCH TUYAU	12 45 78 AB DE	
37A		00H00400501	ABRAZADERA ELASTICA 7,8-8,3 FASCETTA CLAMP	FLANGE BRIDE	12 45 78 AB DE	

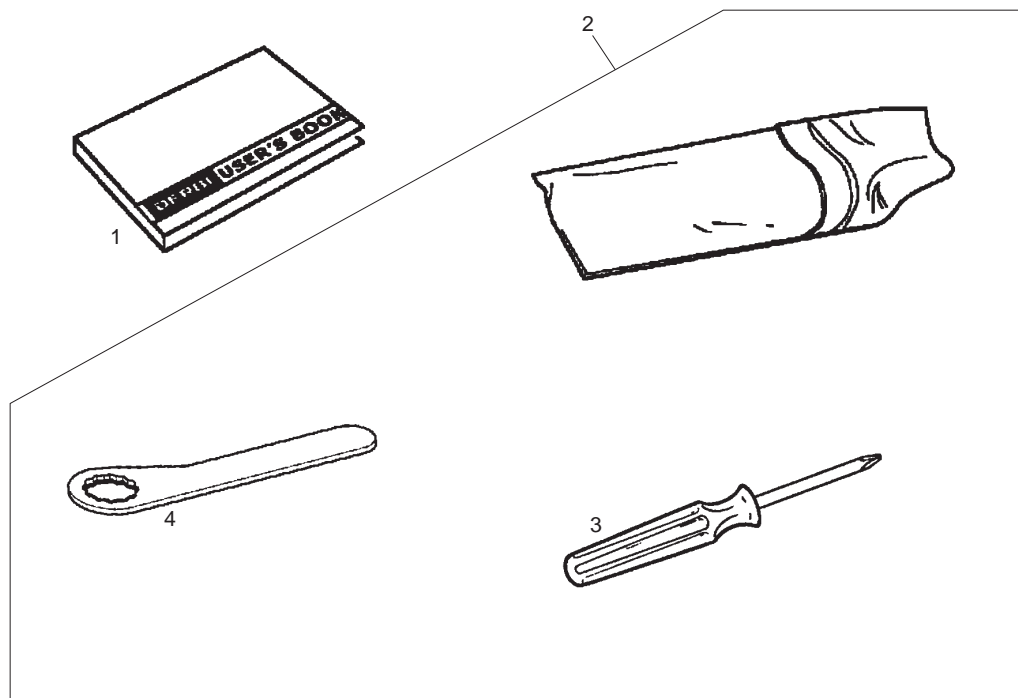


Fig.	Ver.	COD. KOD.	DESCRIPCIÓN DENOMINAZIONE NAME	BEZEICHNUNG DESIGNATION	MOD.	NOTAS NOTES NOTA MITSCHRIFT NOTES
01A		00H05160121	MANUAL INSTRUCCIONES LIBRETTI DI ISTRUZIONI USER'S BOOK	BEDIENUNGSANLEITUNG MANUEL D'INSTRUCTIONS	12 45 78 AB DE	
01B		861781	MANUAL INSTRUCCIONES LIBRETTI DI ISTRUZIONI USER'S BOOK	BEDIENUNGSANLEITUNG MANUEL D'INSTRUCTIONS	3 6 9 C F	
02A		00H05101561	CTO.BOLSA HERRTAS. SACCO FERRI TOOL POUCH	WERKZEUGTASCHE TROUSSE A OUTILS	12 3 4 5 6 78 9 ABC DEF	
03A		00005551290	DESTORNILLADOR. CACCIAVITE SCREW DRIVER	SCHRAUBENZIEHER TOURNEVIS	12 3 4 5 6 78 9 ABC DEF	
04A		00H05101011	SCTO.LLAVE BUJIA SUBCHIAVE CANDELA SE SPARK PLUG	ZUND KERZENSCHLUSSEL CLE A BOUGIE	12 3 4 5 6 78 9 ABC DEF	

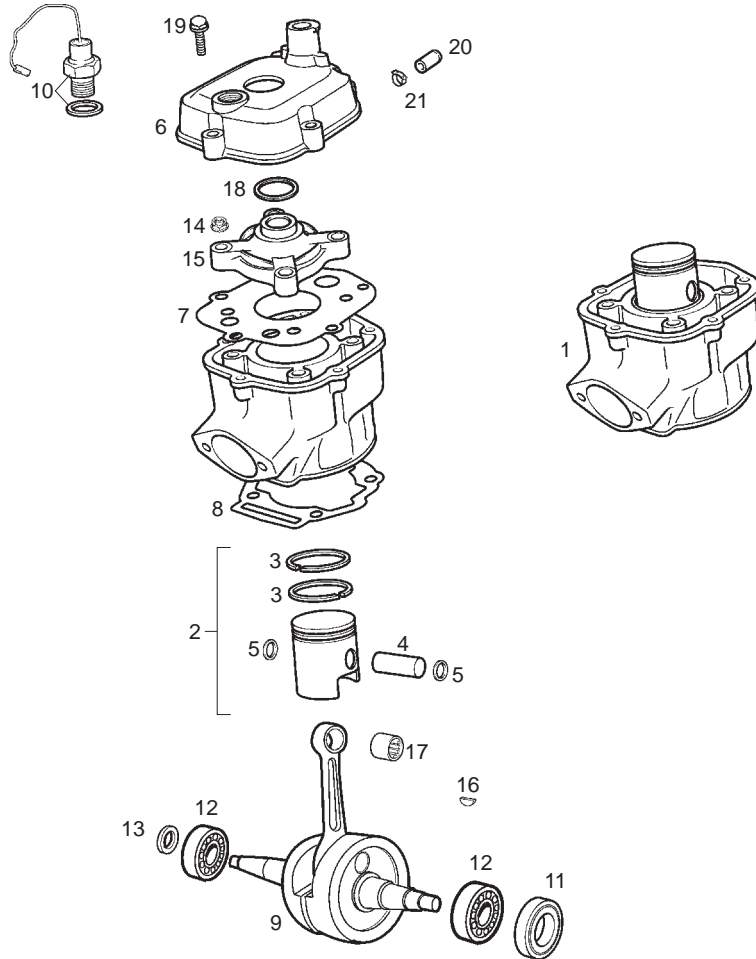


Fig.	Ver.	COD. KOD.	DESCRIPCIÓN DENOMINAZIONE NAME	BEZEICHNUNG DESIGNATION	MOD.	NOTAS NOTES NOTA MITSCHRIFT NOTES
01A		847508	R-CTO CILINDRO PISTON COMP.CILINDRO PISTONE CYLINDER PISTON ASSEMBLY	ZYLINDER UND KOLBEN CYLINDRE ET PISTON COMPLET	123456 789ABC DEF	
02A		8472625001	CTO. PISTON (A) PISTONE (A) PISTON (A)	KOLBEN KOMPL.(A) PISTON-COMPLET (A)	123456 789ABC DEF	
02B		8472625002	CTO. PISTON (B) PISTONE (B) PISTON (B)	KOLBEN KOMPL. (B) PISTON-COMPLET (B)	123456 789ABC DEF	
02C		8472625003	CTO. PISTON (C) PISTONE (C) PISTON (C)	KOLBEN KOMPL. (C) PISTON-COMPLET (C)	123456 789ABC DEF	
02D		8472625004	CTO. PISTON (D) PISTONE (D) PISTON (D)	KOLBEN KOMPL. (D) PISTON-COMPLET (D)	123456 789ABC DEF	
03A		847006	R-ARO PISTON.SENDA R-SEGMENTO PISTONE PISTON RING	KOLBENDICHTRING SEGMENT DE PISTON	123456 789ABC DEF	
04A		847012	R-BULON PISTON SPINOTTO PISTONE PISTON PIN	KOLBENBOLZEN AXE PISTON	123456 789ABC DEF	
05A		847178	R-ANILLO BULON R-SEGMENTO SPINOTTO CIRCLIP, PISTON PIN	SICHERUNGSRING CLIPS AXE PISTON	123456 789ABC DEF	
06A		CM151902	SCTO.TAPA CULATIN COPERCHIO TESTA CYLINDER HEAD COVER	ZYLINDERKOPF DECKEL COUVERCLE CULASSE	123456 789ABC DEF	
07A		847009	JUNTA CULATA CILINDRO GUARNIZIONE TESTA GASKET CYLINDER HEAD	ZYLINDERKOPFDICHTUNG JOINT DE CULASSE	123456 789ABC DEF	
08A		847014	JUNTA CILINDRO GUARNIZIONE CILINDRO GASKET, CYLINDER	ZYLINDERPUDDICHTUNG JOINT DE CYLINDRE	123456 789ABC DEF	

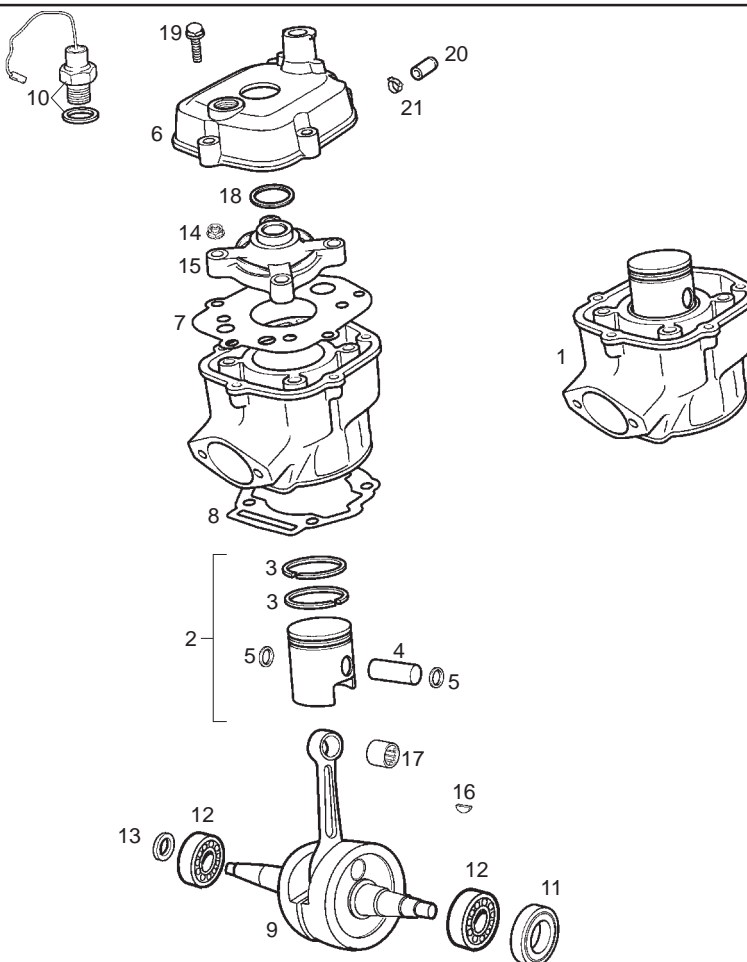


Fig.	Ver.	COD. KOD.	DESCRIPCIÓN DENOMINAZIONE NAME	BEZEICHNUNG DESIGNATION	MOD.	NOTAS NOTES NOTA MITSCHRIFT NOTES
09A		847026	CTO CIGÜEÑAL-BIELA ALBERO MOTORE CRANK SHAFT ROD	KURBELWELLE VILEBREQUIN COMPLET	123456 789ABC DEF	
10A		847010	TERMOCONTACTO TERMOCONTATTO TERMOCONTACT	THERMOKONTAKT TERMOCONTATTO	123456 789ABC DEF	
11A		847020	RETEN CIGUEÑAL GIUNTO TENUTA SEAL	DICHTRING JOINT	123456 789ABC DEF	
12A		847172	COJINETE CUSCINETTO BEARING	LAGER COUSSINET	123456 789ABC DEF	
13A		847020	RETEN CIGUEÑAL GIUNTO TENUTA SEAL	DICHTRING JOINT	123456 789ABC DEF	
14A		436947	TUERCA EXAGONAL C/BRIDA 7M100 DADO NUT	MUTTER ECROU	123456 789ABC DEF	
15A		847008	CULATIN TESTA CYLINDER HEAD	ZYLINDERKOPF CULASSE	123456 789ABC DEF	
16A		847215	CHAVETA VOLANTE MAGNETICO SPINA KEY	KEIL CLAVETTE	123456 789ABC DEF	
17A		847529	JAULA PIE BIELA GABBIA PIEDE BIELLA BEARING, PISTON PIN	NADELLAGER CAGE A AIGUILLE DE PIED DE	123456 789ABC DEF	
18A		847007	JUNTA TORICA CULATIN GUARNIZIONE TESTA GASKET CYLINDER HEAD	ZYLINDERKOPFDICHTUNG JOINT DE CULASSE	123456 789ABC DEF	
19A		CM149804	TORNILLO FIJACION TAPA 6X25 VITE SCREW	SCHRAUBE VIS	123456 789ABC DEF	

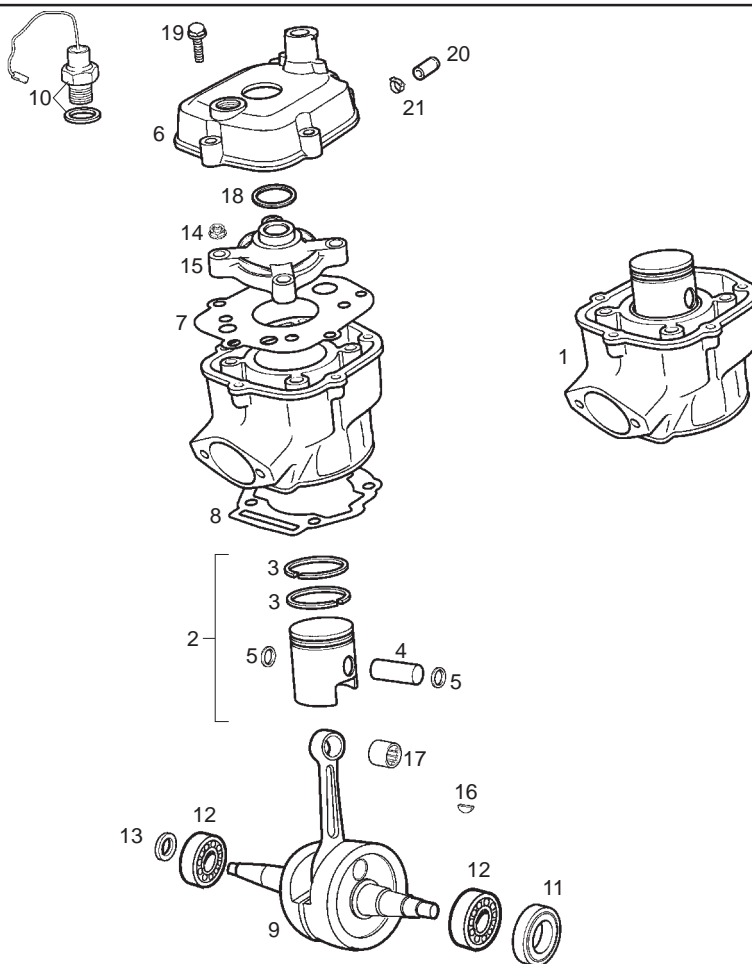


Fig.	Ver.	COD. KOD.	DESCRIPCIÓN DENOMINAZIONE NAME	BEZEICHNUNG DESIGNATION	MOD.	NOTAS NOTES NOTA MITSCHRIFT NOTES
20A		00H05001411	TAPON RACORD CULATA TAPO CAP	KAPPE BOUCHON	3 9 F	6 C
21A		00F03700131	ABRAZADERA 6,5-7,5 FASCETTA CLAMP	FLANGE BRIDE	3 9 F	6 C

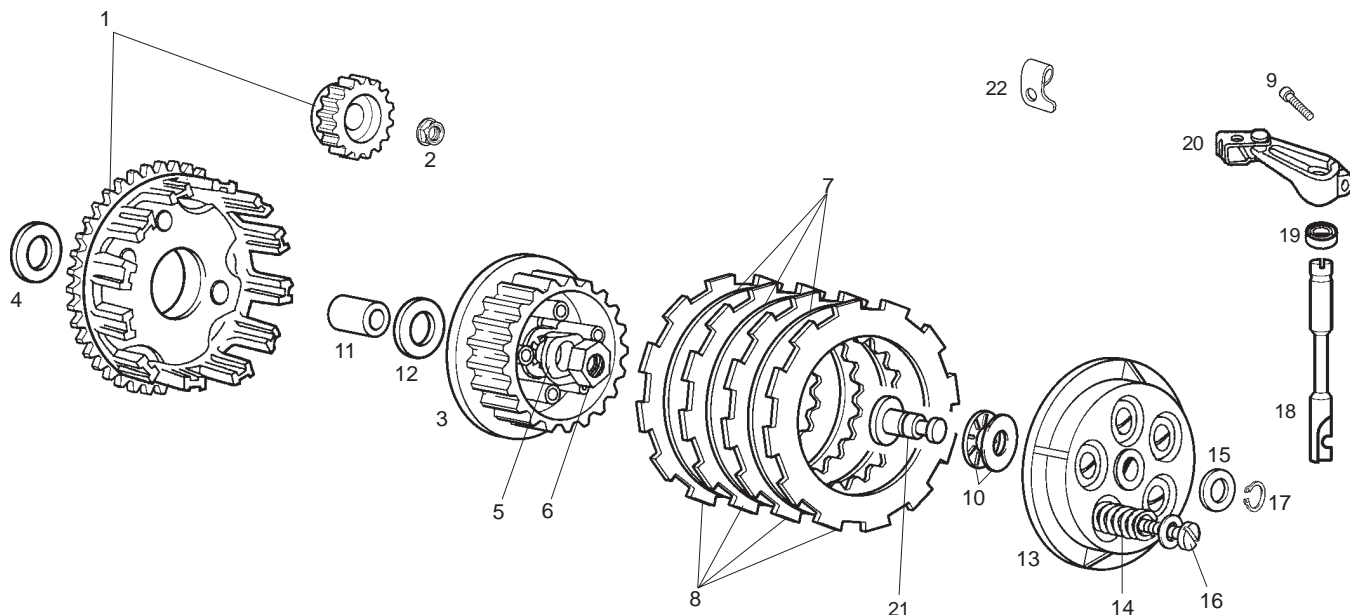


Fig.	Ver.	COD. KOD.	DESCRIPCIÓN DENOMINAZIONE NAME	BEZEICHNUNG DESIGNATION	MOD.	NOTAS NOTES NOTA MITSCHRIFT NOTES
01A		847098	CTO. RUEDA AMORT. EMBRAGUE R-RUOTA FRIZIONE CLUTCH HOUSING AND DAMPER	KUPPLUNGSRAD CLOCHE EMBRAYAGE AVEC PIGNO	123456 789ABC DEF	
02A		847217	TUERCA C/BASE 10M100 DADO NUT	MUTTER ECROU	123456 789ABC DEF	
03A		847045	CAMPANA CONDUCTIDA CAMPANA GUIDATA CLUTCH HUB.	GLOCKE TAMBOUR EMBRAYAGE	123456 789ABC DEF	
04A		847218	ARANDELA PROTEC.INT.BUJE EMBRAG. RONDELLA WASHER	SCHEIBE RONDELLE	123456 789ABC DEF	
05A		847220	PRECTO.TCA.EMBRG. PIASTRINA DADO FRIZIONE WASHER, RETAINING	SICHERUNG FREIN DIECROU DI EMBRAYAGE	123456 789ABC DEF	
06A		847221	TUERCA EMBRAGUE DADO NUT	MUTTER ECROU	123456 789ABC DEF	
07A		847043	DISCO CONDUCTIDO DISCO GUIDATO DRIVEN CLUTCH PLATE	SCHEIBE DISQUE EMBRAYAGE LISSE	123456 789ABC DEF	
08A		847044	SCTO.DISCO CONDUCTOR SUBDISCO GUIDA CLUTCH PLATE	KUPPLUNGSRELAG DISQUE EMBRAYAGE GARNI	123456 789ABC DEF	
09A		847179	TORNILLO 6M100X20 VITE SCREW	SCHRAUBE VIS	123456 789ABC DEF	
10A		82835R	RODAMTO.AXIAL CREMALL.EMBRG. CUSCINETTO SFERE RADIALE CREMA BALL BEARING	LAGER ROULEMENT AXIAL	123456 789ABC DEF	
11A		847040	CASQUILLO BUJE EMBRAGUE GHIERA BRONZINA FRIZIONE BUSHING	FUHRUNGSBUCHSE GABELSCHENK ENTRETOISE	123456 789ABC DEF	

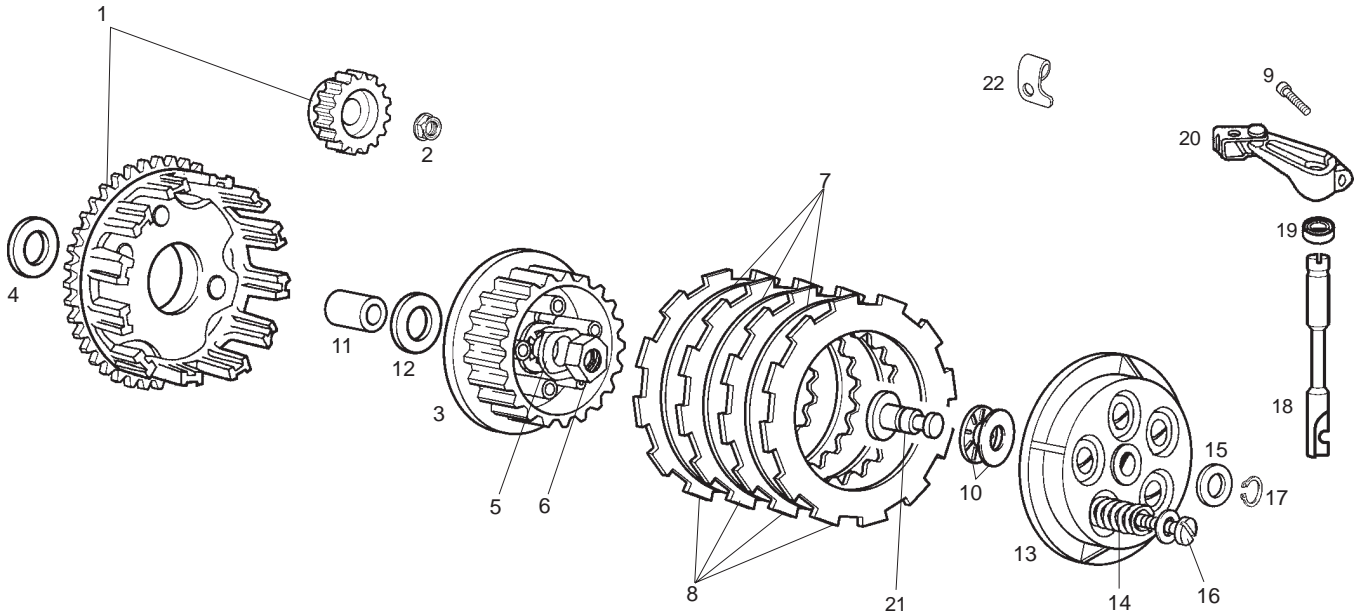


Fig.	Ver.	COD. KOD.	DESCRIPCIÓN DENOMINAZIONE NAME	BEZEICHNUNG DESIGNATION	MOD.	NOTAS NOTES NOTA MITSCHRIFT NOTES
12A		847042	ARANDELA ROZAMTO.CAMPANA. RONDELLA WASHER	SCHEIBE RONDELLE	123456 789ABC DEF	
13A		847046	TAPA CIERRE EMBRAG COPERCHIO CHIUSURA FRIZIONE G. OUTER CLUTCH PLATE	KUPPLINGS-VERSCHLUSSDECKEL PLATEAU EXTERIEUR D,EMBRAYA	123456 789ABC DEF	
14A		847047	MUELLE REGULAC. EMBRAGUE MOLLA REGOLAZIONE FRIZIONE CLUTCH SPRING	STELLFEDER RESORT REGLAGE	123456 789ABC DEF	
15A		847224	ARANDELA TOPE PIÑON INTERMD. RONDELLA WASHER	SCHEIBE RONDELLE	123456 789ABC DEF	
16A		847048	SCTO. TORNILLO 5M80X35 VITE SCREW	SCHRAUBE VIS	123456 789ABC DEF	
17A		847225	ANILLO SEGURIDAD ANELLO SICUREZZA CIRCLIP	SEEGERRING CIRCLIP	123456 789ABC DEF	
18A		847083	EJE DESEMBRAGUE ASSE DISINNESCO FRIZIONE CLUTCH SHAFT	KUPPLUNGSACHSE AXE	123456 789ABC DEF	
19A		847075	RETEN EJE MANDO GIUNTO TENUTA SEAL	DICHTRING JOINT	123456 789ABC DEF	
20A		CM151201	SCTO.PALANCA DESEMBRAGUE SUBLEVA DISINNESCO F CLUTCH LEVER	KUPPLUNGSHEBEL LEVIER EMBRAYAGE	123456 789ABC DEF	
21A		847223	DESPLAZABLE EMBRAGUE ASSE FRIZIONE CLUTCH SHAFT	KUPPLUNGSACHSE AXE	123456 789ABC DEF	
22A		847090	PLACA TENSOR CABLE EMBRAGUE PIASTRINA PLATE	PLATTE PLAQUE	123456 789ABC DEF	

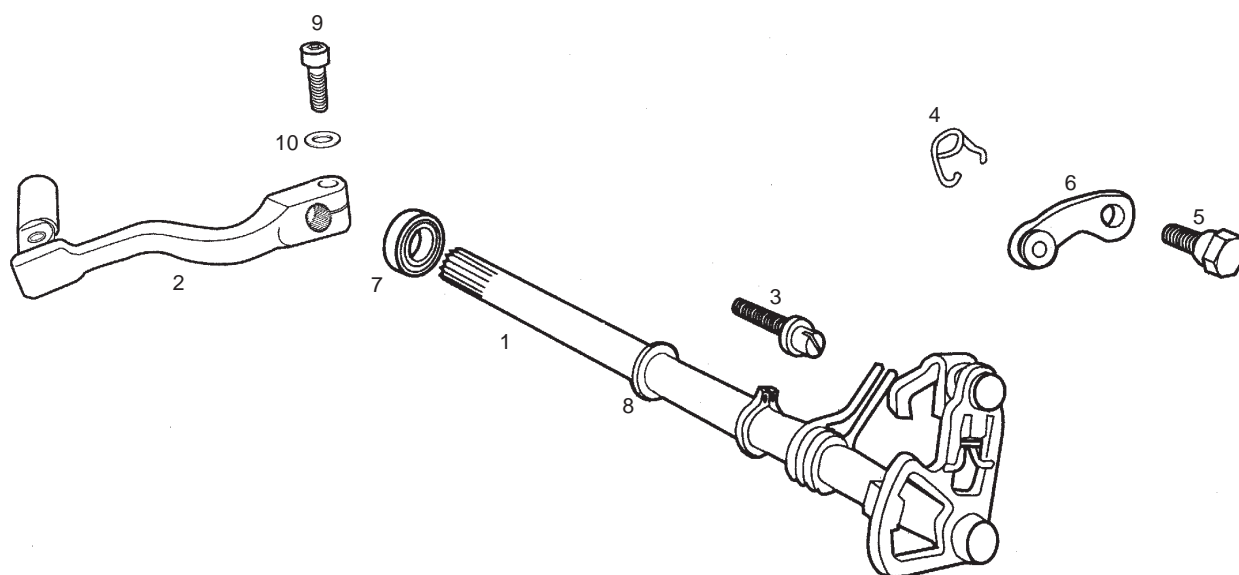


Fig.	Ver.	COD. KOD.	DESCRIPCIÓN DENOMINAZIONE NAME	BEZEICHUNG DESIGNATION	MOD.	NOTAS NOTES NOTA MITSCHRIFT NOTES
01A		847236	EJE SELECTOR SUBASSE SELETTORE S-ASSY. SELECTOR SHAFT	SCHALTACHSE S-ENSEMBLE AXE SELECTEUR	123456 789ABC DEF	
02A		00H02703421	CTO PALANCA CAMBIO LEVA CAMBIO GEARSHIFT ASSY.	GRUPPE GANGSCHALTHEBEL PEDALE DE SELECTEUR	123456 789ABC DEF	
03A		847073	ESPARRAGO MUELLE SELECTOR BULLONE MOLLA SELETTORE SCREW, SELECTOR SPRING ADJ.	FEDERSTIFT AXE EXCENTRIQUE	123456 789ABC DEF	
04A		847069	MUELLE FIJ.MARCHAS. MOLLA FISSAGGIO MARCE GEAR FIXING SPARING	BEF.-FEDER RESSORT	123456 789ABC DEF	
05A		847070	TORNILLO GUIA FIJ.MARCHAS VITE SCREW	SCHRAUBE VIS	123456 789ABC DEF	
06A		847068	SCTO.PALANCA FIJ.MARCHAS. SUBLEVA FISSAGGIO MA LEVER FIXING GEARS	GANSCHALTHEEEL LEVIER FIXATION PIGNONS	123456 789ABC DEF	
07A		847075	RETEN EJE MANDO RICHIAMO ASSE COMANDO SELETTOR OIL SEAL, SELECTOR SHAFT	SIMMERRING JOINT ANTI-FUITE	123456 789ABC DEF	
08A		847228	ARANDELA SEGURO TAMBOR RONDELLA WASHER	SCHEIBE RONDELLE	123456 789ABC DEF	
09A		00002062511	TORNILLO C/ALLEN 6M100X25 VITE SCREW	SCHRAUBE VIS	123456 789ABC DEF	
10A		00442060002	ARANDELA MUELLE D6 RONDELLA WASHER	SCHEIBE RONDELLE	123456 789ABC DEF	

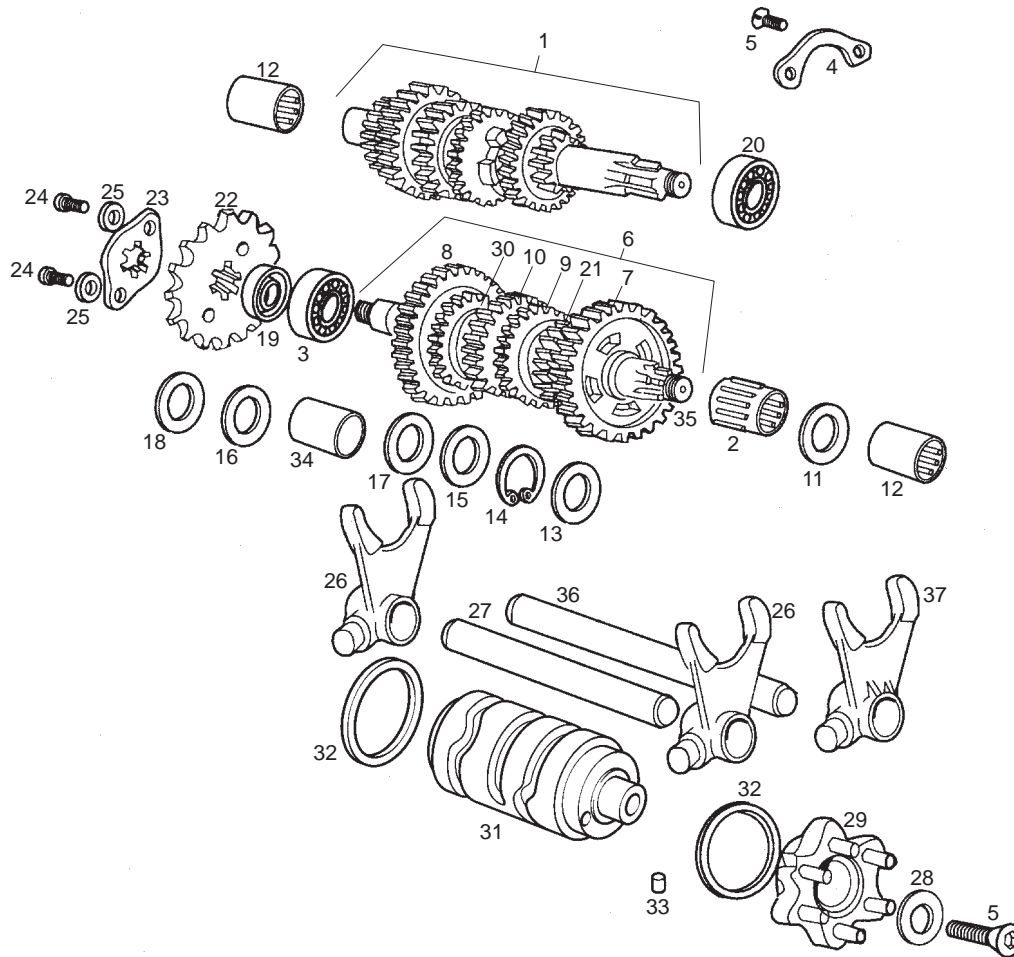


Fig.	Ver.	COD. KOD.	DESCRIPCIÓN DENOMINAZIONE NAME	BEZEICHNUNG DESIGNATION	MOD.	NOTAS NOTES NOTA MITSCHRIFT NOTES
01A		847027	SC TO. EJE PRIMARIO 6V SUBASSE PRIMARIO DRIVE SHAFT.	PRIMARCHSE AXE PRIMAIRE	123456 789ABC DEF	
02A		847544	CORONA AGUJAS PIÑÓN CORONA RULLINI PIGNONE NEEDLE BEARING	BADELLGER ROULEMENT AIGUILLES	123456 789ABC DEF	
03A		847086	COJINETE CUSCINETTO BEARING	LAGER COUSSINET	123456 789ABC DEF	
04A		847021	PRECINTO COJINETE EJE PRIMARIO PIASTRINA CUSCINETTO ASSE PRIM PLATE POSITION BALL BEARINGS	KUGELLEGERPRIMDRACHSE BUTEE DE ROULEMENT	123456 789ABC DEF	
05A		847210	TORNILLO AV.ALL.5M80X10 VITE SCREW	SCHRAUBE VIS	123456 789ABC DEF	
06A		847028	CTO. EJE SECUNDARIO 6V ASSE SECONDARIO OUTPUT SHAFT	SEKUNDRACHSE AXE SECONDAIRE MONTE COMPLE	123456 789ABC DEF	
07A		847153	PIÑÓN SECUNDARIO I Z-34 PIGNONE GEAR	RITZEL PIGNON	123456 789ABC DEF	
08A		847157	PIÑÓN SECUNDARIO II Z-30 PIGNONE GEAR	RITZEL PIGNON	123456 789ABC DEF	
09A		847155	PIÑÓN SECUNDARIO III Z-27 PIGNONE GEAR	RITZEL PIGNON	123456 789ABC DEF	
10A		847156	PIÑÓN SECUNDARIO IV Z-24 PIGNONE GEAR	RITZEL PIGNON	123456 789ABC DEF	
11A		847549	ARANDELA REGLAJE EJE SECUNDARIO RONDELLA WASHER	SCHEIBE RONDELLE	123456 789ABC DEF	

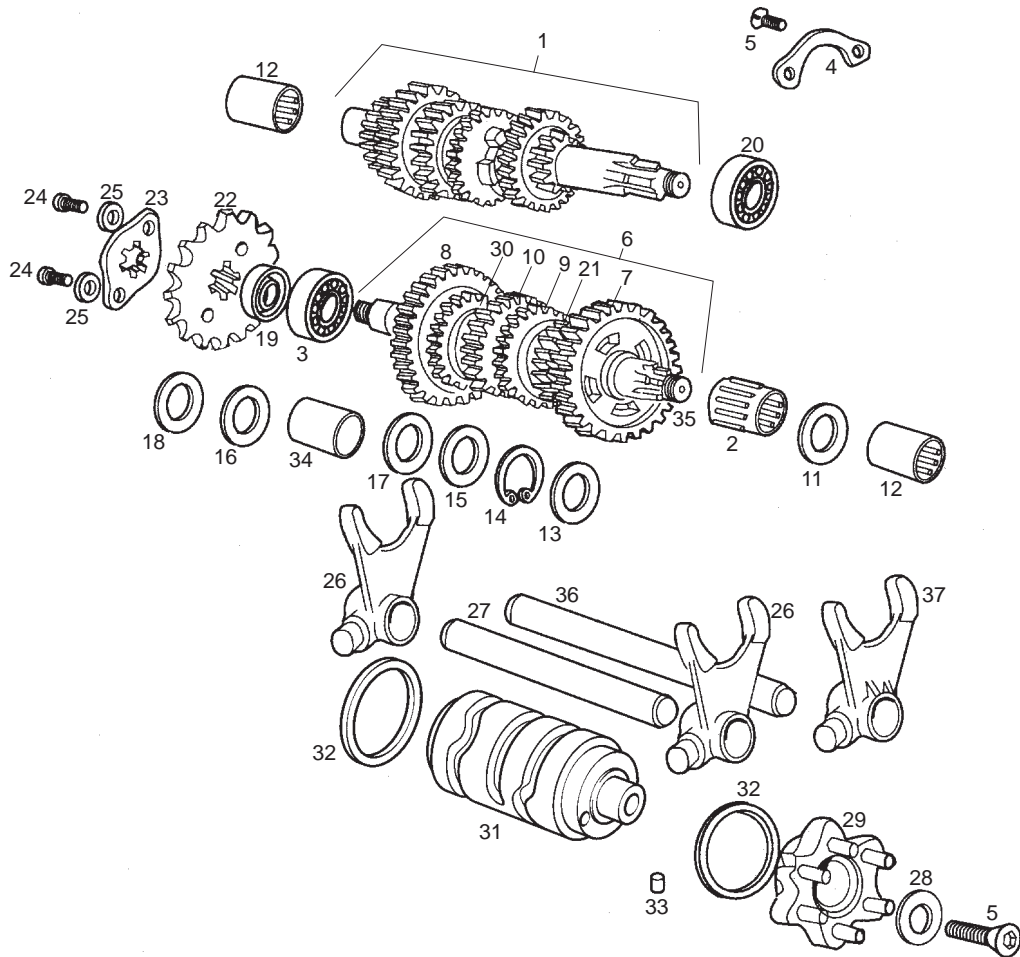


Fig.	Ver.	COD. KOD.	DESCRIPCIÓN DENOMINAZIONE NAME	BEZEICHNUNG DESIGNATION	MOD.	NOTAS NOTES NOTA MITSCHRIFT NOTES
12A		847211	CASQUILLO AGUJAS GHIERA RULLINI NEEDLE BEARING	NADELLGER CAGE AAIGUILLES	123456 789ABC DEF	
13A		847550	ARANDELA ROZAMTO.PIÑON SECUND.I RONDELLA WASHER	SCHEIBE RONDELLE	123456 789ABC DEF	
14A		847542	ANILLO SEGURIDAD ANELLO SICUREZZA CIRCLIP	SEEGERRING CIRCLIP	123456 789ABC DEF	
15A		847548	ARANDELA RONDELLA WASHER	SCHEIBE RONDELLE	123456 789ABC DEF	
16A		847541	ARANDELA RONDELLA WASHER	SCHEIBE RONDELLE	123456 789ABC DEF	
17A		847546	ARANDELA RONDELLA WASHER	SCHEIBE RONDELLE	123456 789ABC DEF	
18A		847545	ARANDELA RONDELLA WASHER	SCHEIBE RONDELLE	123456 789ABC DEF	
19A		847019	RETEN.PIÑON SALIDA CAMBIO GIUNTO TENUTA SEAL	DICHRING JOINT	123456 789ABC DEF	
20A		847209	COJINETE CUSCINETTO BEARING	LAGER COUSSINET	123456 789ABC DEF	
21A		847154	PIÑON SECUNDARIO V Z-23 PIGNONE GEAR	RITZEL PIGNON	123456 789ABC DEF	
22A		00H02813371	PIÑON SALIDA CAMBIO Z-11 PIGNONE GEAR	RITZEL PIGNON	12 45 78 AB DE	

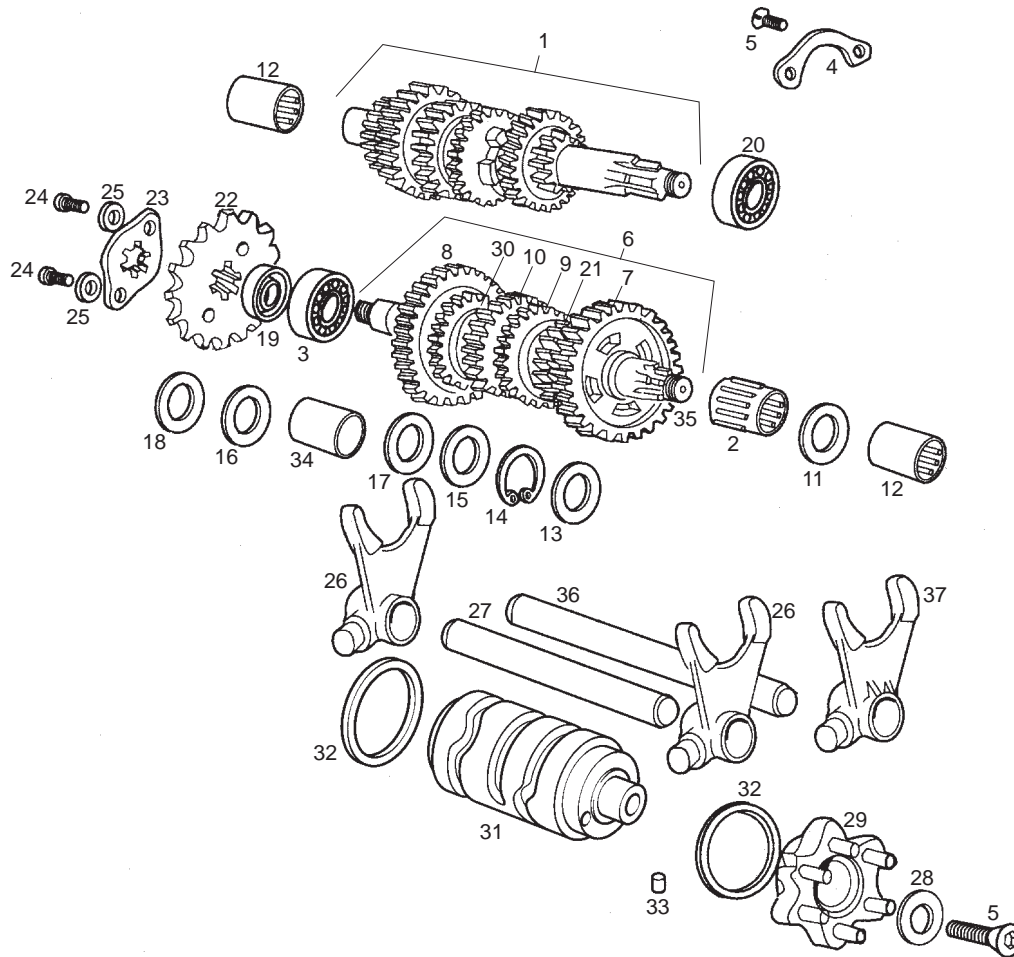


Fig.	Ver.	COD. KOD.	DESCRIPCIÓN DENOMINAZIONE NAME	BEZEICHNUNG DESIGNATION	MOD.	NOTAS NOTES NOTA MITSCHRIFT NOTES
22B		00H02808371	PIÑÓN SALIDA CAMBIO Z-12 PIGNONE GEAR	RITZEL PIGNON	3 6 9 C F	
23A		00H02800421	PRECINTO PIÑÓN SALIDA CAMBIO PIASTRINA PIGNONE USCITA CAMBI LOCKWASHER, COUNTERSHAFT SPROK	HALTER RONDELLE DE SECURITE SBV.	12 45 78 AB DE	
23B		00H02810421	PRECINTO PIÑÓN SALIDA CAMBIO PIASTRINA PIGNONE USCITA CAMBI LOCKWASHER, COUNTERSHAFT SPROK	HALTER RONDELLE DE SECURITE SBV.	3 6 9 C F	
24A		00002041050	TORNILLO C/ALLEN 4M70X10 VITE SCREW	SCHRAUBE VIS	12 45 78 AB DE	
24B		00000004510	TORNILLO C/ALLEN 5M80X10 VITE SCREW	SCHRAUBE VIS	3 6 9 C F	
25A		00000033040	ARANDELA MUELLE D4 RONDELLA WASHER	SCHEIBE RONDELLE	12 45 78 AB DE	
25B		00000034050	ARANDELA ESTRELLA INT D5 RONDELLA WASHER	SCHEIBE RONDELLE	3 6 9 C F	
26A		847032	HORQUILLA SECUNDARIA FORCELLA SECONDARIA FORK OUTPUT	SHALTGABEL FOURCHETTE	123456 789ABC DEF	
27A		847030	EJE HORQUILLA SECUNDARIA ASSE FORCELLA SECONDARIA SECONDARY FORK SHAFT	GABEL SEKUNDARACHSE AXE	123456 789ABC DEF	
28A		847214	ARANDELA PIÑ.CONTR/MAND.TAMBOR RONDELLA WASHER	SCHEIBE RONDELLE	123456 789ABC DEF	
29A		847038	CABEZA MANDO TAMBOR. TESTA COMANDO TAMBORO DRUM HEAD	ESTEUERKOPF TETE TAMBOUR SELECTEUR	123456 789ABC DEF	

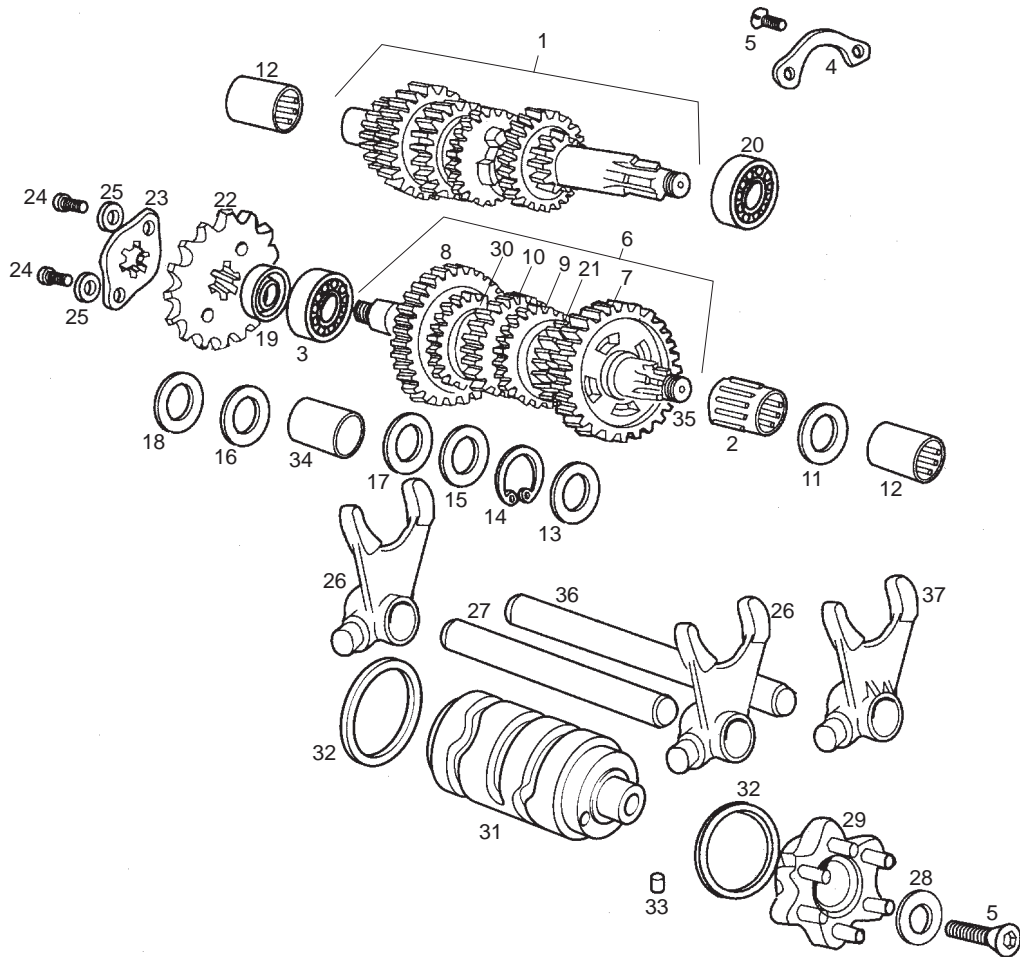


Fig.	Ver.	COD. KOD.	DESCRIPCIÓN DENOMINAZIONE NAME	BEZEICHNUNG DESIGNATION	MOD.	NOTAS NOTES NOTA MITSCHRIFT NOTES
30A		847158	PIÑÓN SECUNDARIO VI Z-22 PIGNONE GEAR	RITZEL PIGNON	123456 789ABC DEF	
31A		847081	TAMBOR DISTRIBUIDOR TAMBURO DISTRIBUTORE SHIFT DRUM	VERTEILERTRUMMEL BARILLET	123456 789ABC DEF	
32A		847036	ARANDELA TAMBOR DISTRIBUIDOR RONDELLA WASHER	SCHEIBE RONDELLE	123456 789ABC DEF	
33A		847213	RODILLO.4X6. RULLO ROLLER	WALZE FUR SCHA LTUNG GALETS	123456 789ABC DEF	
34A		847547	CASQUILLO PIÑÓN SECUND.II. GHIERA PIGNONE SECONDARIO .II. BUSHING	FUHRUNGSBUCHSE GABELSCHENK ENTRETOISE	123456 789ABC DEF	
35A		847159	SCTO EJE SECUNDARIO 6V. ASSE SECONDARIO OUTPUT SHAFT	SEKUNDARACHSE AXE SECONDAIRE MONTE COMPLE	123456 789ABC DEF	
36A		847029	EJE HORQUILLA PRIMARIA. ASSE FORCELLA PRIMARIA PRIMARY FORK SHAFT	GABEL PRIMARACHSE AXE	123456 789ABC DEF	
37A		847031	HORQUILLA PRIMARIA V-VI. FORCELLA PRIMARIA FORK OUTPUT	SHALTGABEL FOURCHETTE	123456 789ABC DEF	

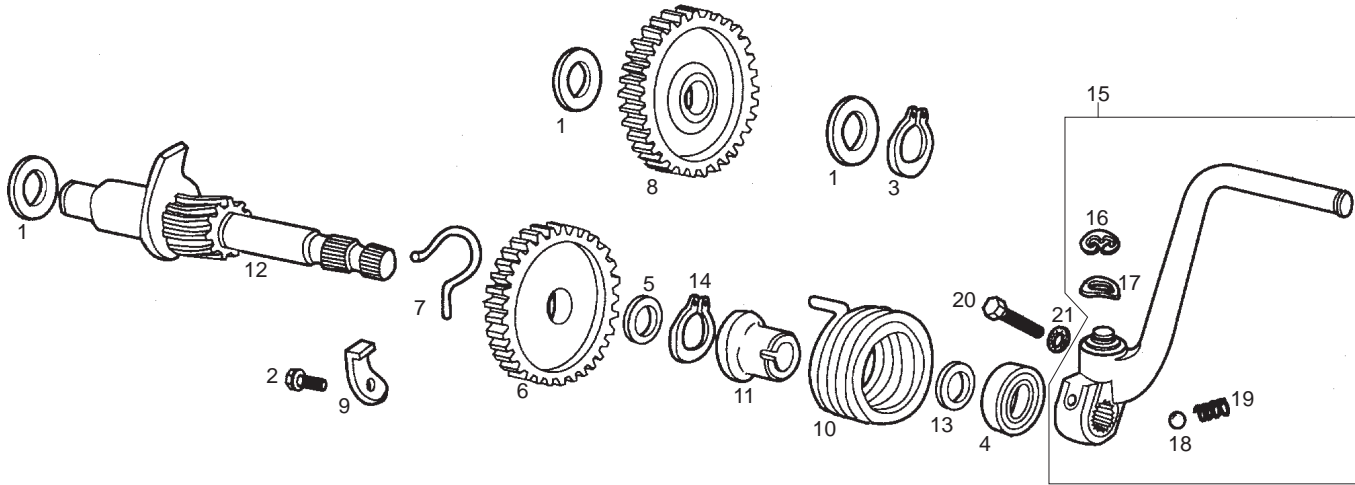


Fig.	Ver.	COD. KOD.	DESCRIPCIÓN DENOMINAZIONE NAME	BEZEICHNUNG DESIGNATION	MOD.	NOTAS NOTES NOTA MITSCHRIFT NOTES
01A		847228	ARANDELA RONDELLA WASHER	SCHEIBE RONDELLE	123456 789ABC DEF	
02A		CM149802	TORNILLO FIJ. TOPE ARRANQUE VITE SCREW	SCHRAUBE VIS	123456 789ABC DEF	
03A		847229	ANILLO SEGURIDAD D11 ANELLO SICUREZZA CIRCLIP	SEEGERRING CIRCLIP	123456 789ABC DEF	
04A		847074	RETEN EJE ARRANQUE GIUNTO TENUTA SEAL	DICHTRING JOINT	123456 789ABC DEF	
05A		847232	ARANDELA TOPE PIÑÓN ARRANQUE RONDELLA WASHER	SCHEIBE RONDELLE	123456 789ABC DEF	
06A		847061	PIÑÓN ARRANQUE Z-29 PIGNONE AVVIAMENTO KICKSTARTER GEAR	ANLAUFTRITZEL ROUE DE MISE EN MARCHE	123456 789ABC DEF	
07A		847060	MUELLE PIÑÓN ARR. MOLLA PIGNONE AVVIAMENTO SPRING, ENGAGEMENTE REAR	RITZELFEDER RESSORT DE ROUE DE MISE EN	123456 789ABC DEF	
08A		847056	PIÑÓN INTERMEDIO ARRANQUE PIGNONE INTERMEDIO AVVIAMENTO DRIVING GEAR	ANLAUF-ZWISCHENRITZEL ROUE INTERMEDIAIRE	123456 789ABC DEF	
09A		847062	REFUERZO TOPE ARRANQUE RINFORZO FERMO AVVIAMENTO KICKSTARTER LEVER STOP	VERSTARUNG F.ANSCHULAG BUTEE PEDALE DE KICK	123456 789ABC DEF	
10A		847057	MUELLE ARRANQUE, MOLLA AVVIAMENTO KICKSTARTER SPRING	ANLAUFFEDER RESSORT DE KICK	123456 789ABC DEF	
11A		847058	CAZOLETA.GUIA MUELLE ARRANQUE SCODELLINO GUIDA MOLLA AVVIAMENTO SPRING GUIDE	FUHRUNGSPFANE RAMPE DE KICK	123456 789ABC DEF	

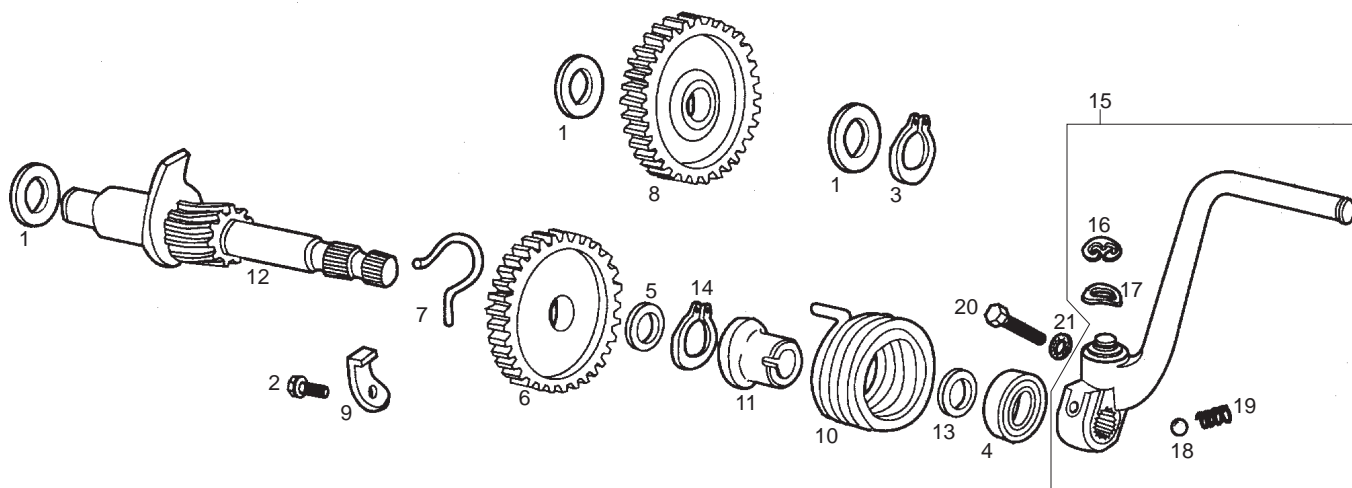


Fig.	Ver.	COD. KOD.	DESCRIPCIÓN DENOMINAZIONE NAME	BEZEICHNUNG DESIGNATION	MOD.	NOTAS NOTES NOTA MITSCHRIFT NOTES
12A		847059	SCTO.EJE ARRANQUE, SUBASSE AVVIAMENTO KICKSTARTER SHAFT	ANLAUFACHSE ARBRE DE KICK	123456 789ABC DEF	
13A		847230	ARANDELA TOPE ARRANQUE RONDELLA WASHER	SCHEIBE RONDELLE	123456 789ABC DEF	
14A		847231	ANILLO SEGURIDAD D22 ANELLO SICUREZZA CIRCLIP	SEEGERRING CIRCLIP	123456 789ABC DEF	
15A		00H02902252	PALANCA ARRANQUE LEVA AVVIAMENTO KICKSTARTER LEVER	KICKSTARTER LEVIER DE KICK	123456 789ABC DEF	
16A		00047030900	ANILLO SEGURIDAD ANELLO SICUREZZA CIRCLIP	SICHERHEITSRING ANNEAU SECURITE AXE	123456 789ABC DEF	
17A		00000036100	ARANDELA MUELLE RONDELLA WASHER	SCHEIBE RONDELLE	123456 789ABC DEF	
18A		00000061040	BOLA.D.4,76. PALLA BALL	KUGEL BILLE DIAMETRE	123456 789ABC DEF	
19A		00003127200	MUELLE MOLLA GRILLETTO TORCIA SPRING, DETENT	FEDER RESSORT	123456 789ABC DEF	
20A		00004162500	TORNILLO C/ALLEN 6M100X25 VITE SCREW	SCHRAUBE VIS	123456 789ABC DEF	
21A		00037000600	ARANDELA CONICA SEG. D6 RONDELLA WASHER	SCHEIBE RONDELLE	123456 789ABC DEF	

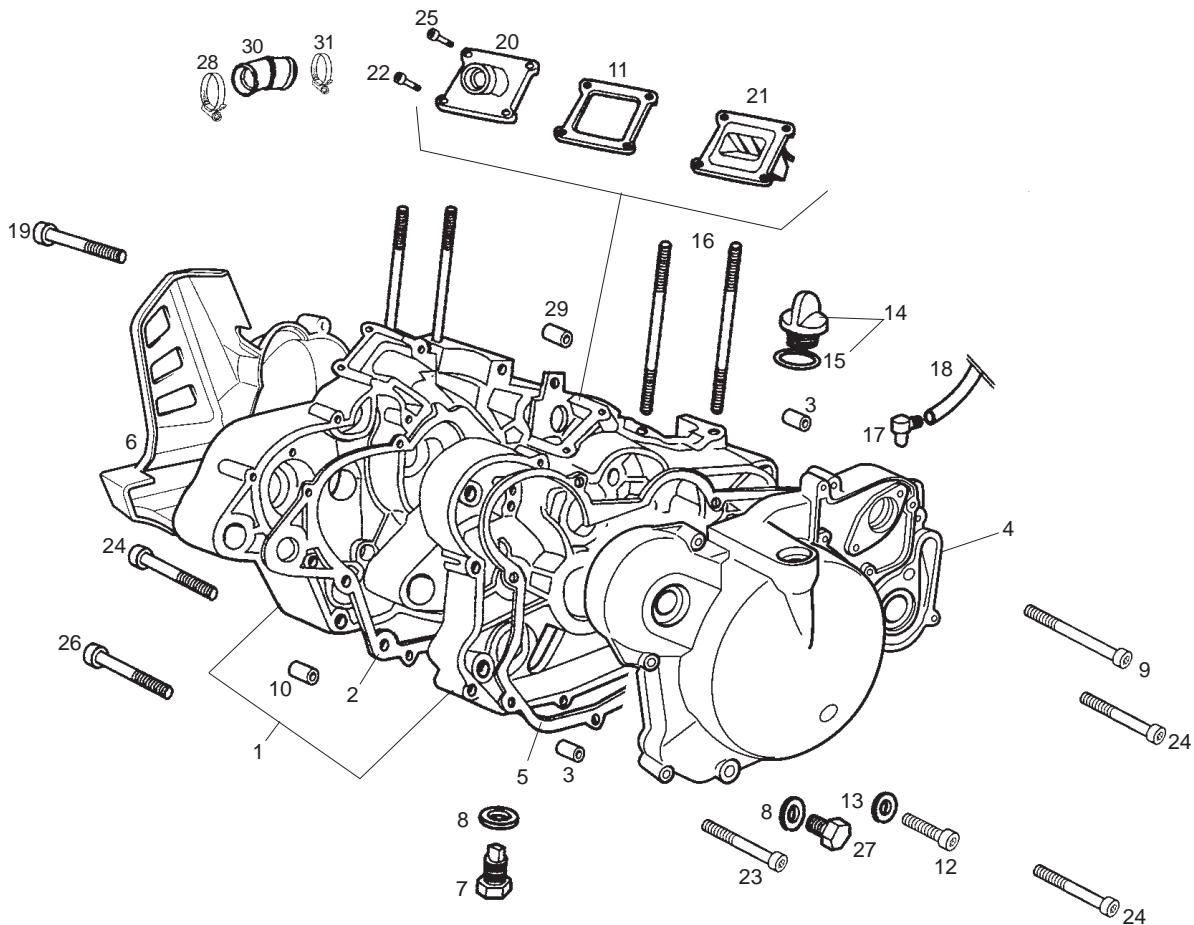


Fig.	Ver.	COD. KOD.	DESCRIPCIÓN DENOMINAZIONE NAME	BEZEICHNUNG DESIGNATION	MOD.	NOTAS NOTES NOTA MITSCHRIFT NOTES
01A		CM1503015	CTO. CARTERS CARTERS CRANKCASE ASSEMBLY	MOTORGEHÄUSE ENSEMBLE DES CARTERS MOTEUR	123456 789ABC DEF	
02A		847022	JUNTA CARTERS GUARNIZIONE CARTERS GASKET, CHANKCASE	GEHÄUSEDICHTUNG JOINT DE CARTERS CENTRAUX	123456 789ABC DEF	
03A		847241	PASADOR UNION CARTER. CHIAVISTELLO SOSTEGNO SPIRALE FORK PIN	STIFT GOUDILLE	123456 789ABC DEF	
04A		CM150703	TAPA CARTER DERECHA SUBC.COP.CARTER DES. CRANKCASE COVER	KUPLINGSDECKEL CARTER DIEMBRAYAGE	123456 789ABC DEF	
05A		847084	JUNTA TAPA CARTER DERECHA GUARNIZIONE COPERCHIO CARTER D GASKET RIGHT-HAND COVER	DICHTUNG JOINT DE CARTER EMBRAYAGE	123456 789ABC DEF	
06A		00H03007241	TAPA CARTER IZQUIERDA COPERCHIO CARTER SINISTRO CRANKCASE COVER LEFT	GEHD US ED EDKELLINKS COUVERCLE CARTER GAUCHE	123456 789ABC DEF	
07A		847237	CTO. TORNILLO VACIADO.ACEITE VITE SCREW	SCHRAUBE VIS	123456 789ABC DEF	
08A		847238	ARANDELA VACIADO ACEITE RONDELLA WASHER	SCHEIBE RONDELLE	123456 789ABC DEF	
09A		CM149801	TORNILLO C/ALLEN.6M100X55 VITE SCREW	SCHRAUBE VIS	123456 789ABC DEF	
10A		847023	SEPARADOR CARTER GHIERA PIN	BUCHSE DOUILLE	123456 789ABC DEF	
11A		847091	JUNTA SOPTE. VALVULA ADMISION GUARNIZIONE SOSTEGNO VALVOLAA INLET VALVE GASKET	DICHTUNG VENTILHALTER JOINT BTE.CLAPETS	123456 789ABC DEF	

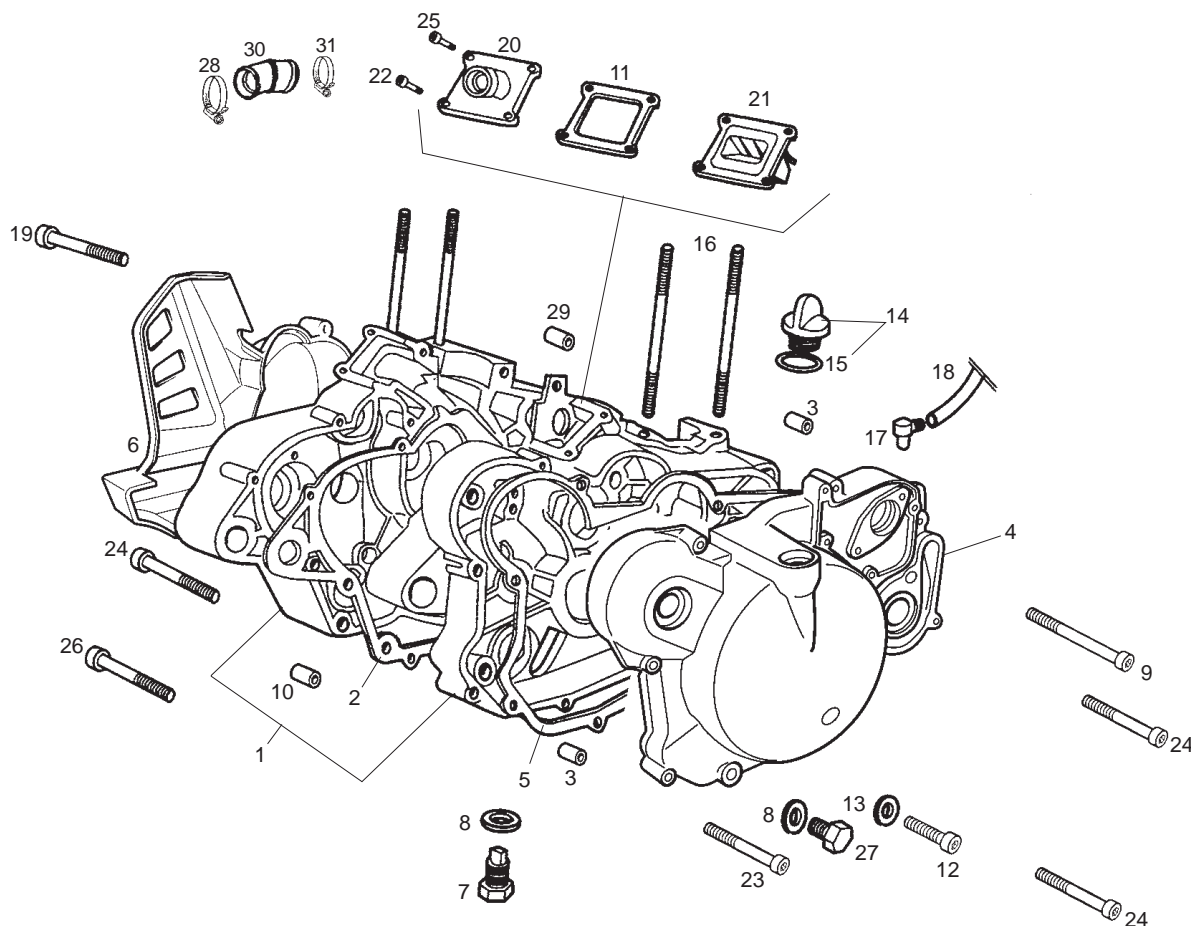


Fig.	Ver.	COD. KOD.	DESCRIPCIÓN DENOMINAZIONE NAME	BEZEICHUNG DESIGNATION	MOD.	NOTAS NOTES NOTA MITSCHRIFT NOTES
12A		847240	TORNILLO C/ALLEN.6M100X10 VITE SCREW	SCHRAUBE VIS	123456 789ABC DEF	
13A		847239	ARANDELA NIVEL ACEITE.D6 RONDELLA WASHER	SCHEIBE RONDELLE	123456 789ABC DEF	
14A		847087	TORNILLO LLENADO ACEITE VITE SCREW	SCHRAUBE VIS	123456 789ABC DEF	
15A		847180	ANILLO TORICO TAPON NIV.ACTE. ANELLO TORICO SEAL	O-RING JOINT DE JAUGE D,HUILE	123456 789ABC DEF	
16A		847015	ESPARRAGO CILINDRO MOTOR BULLONE FISSAGGIO CILINDRO STUD CYLINDER	STEBBOLZEN GOUJON DE FIXE CYLINDRE	123456 789ABC DEF	
17A		847024	RACORD SALIDA GASES RACCORDI USCITA GAS CARTER . CRANKCASE VENT RACCORD	AUSGANGSSTUTZEN RACCORD DE SORTIE GAZ CARTE	123456 789ABC DEF	
18A	00H03700461		TUBO RESPIRACION TUBO RESPIRAZIONE SERBATOIO VENT PIPE OIL TANK	ENTLUEFTUNGSSCHLAUCH TUYAU RESPIRATION RESERVOIR	123456 789ABC DEF	
19A	00G03900821		TORNILLO FIJACION 6X30 VITE SCREW	SCHRAUBE VIS	123456 789ABC DEF	
20A	847093		BOQUILLA CARBURANTE ATTACCO CARBURATORE INTAKE MANIFOLD,	ANSAUGSTUTZEN ENSEMB.PIPE DIADMISSION	123456 789ABC DEF	
21A	847092		CTO.CAJA LAMINAS ADMISION CASSA LAMINA AMMISSI INLET BOX	MEMBRANE BOITE A CLAPETS	123456 789ABC DEF	
22A	CM149804		TORNILLO C/ALLEN.6M100X25. VITE SCREW	SCHRAUBE VIS	123456 789ABC DEF	

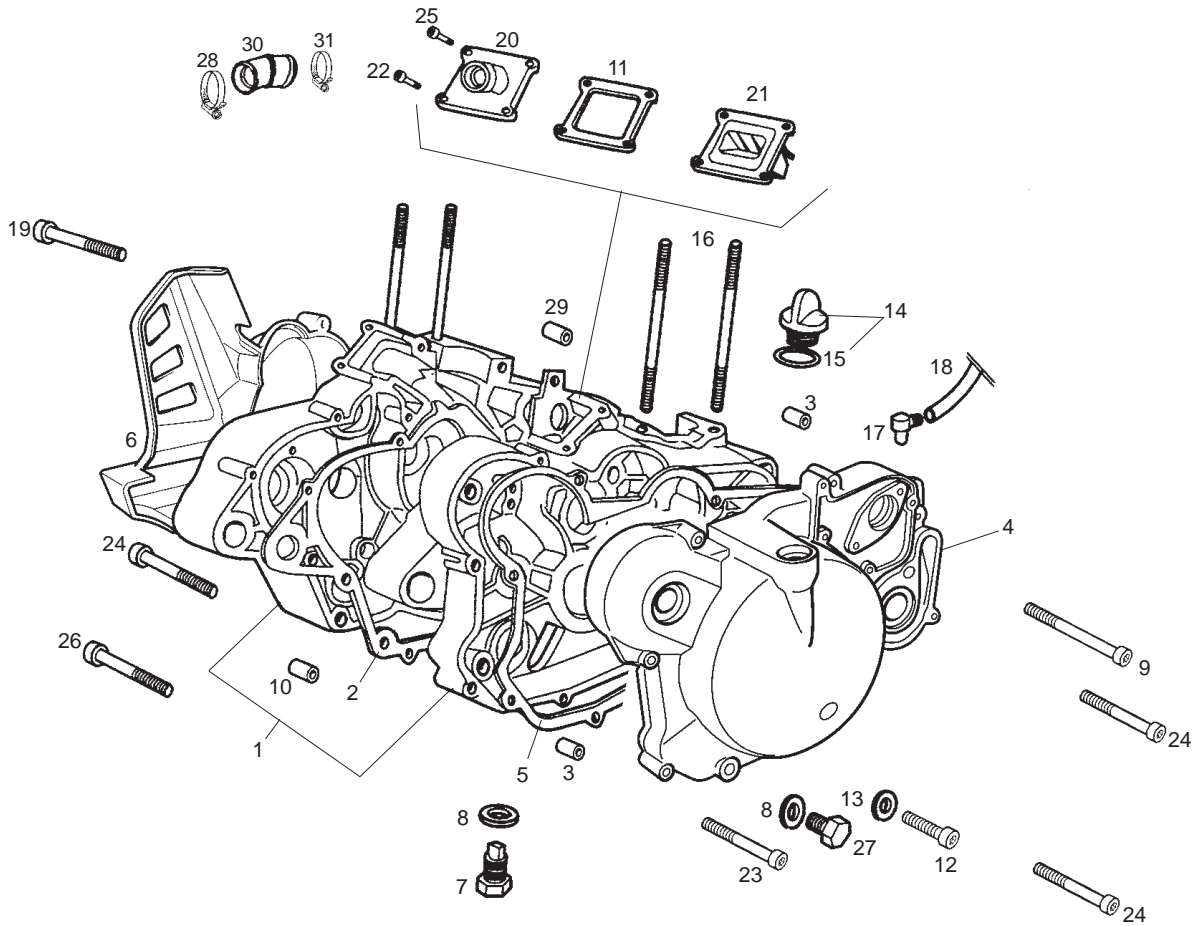


Fig.	Ver.	COD. KOD.	DESCRIPCIÓN DENOMINAZIONE NAME	BEZEICHNUNG DESIGNATION	MOD.	NOTAS NOTES NOTA MITSCHRIFT NOTES
23A		CM149806	TORNILLO C/ALLEN.6M100X35 VITE SCREW	SCHRAUBE VIS	123456 789ABC DEF	
24A		CM149808	TORNILLO C/ALLEN.6M100X40 VITE SCREW	SCHRAUBE VIS	123456 789ABC DEF	
25A		828152	TORNILLO VITE SCREW	SCHRAUBE VIS	123456 789ABC DEF	
26A		CM149809	TORNILLO FIJACION CARTERS.6X50 VITE SCREW	SCHRAUBE VIS	123456 789ABC DEF	
27A		847174	TORNILLO VACIADO ACEITE. VITE SCREW	SCHRAUBE VIS	123456 789ABC DEF	
28A		00H02501491	ABRAZADERA FASCETTA CLAMP	ZÜGEL BRIDE	123456 789ABC DEF	
29A		847023	SEPARADOR CARTER GHIERA PIN	BUCHSE DOUILLE	123456 789ABC DEF	
30A		871319	RACORD ADMISION BRONZINA BUSHING	BUCHSE ENTRETOISE	123456 789ABC DEF	
31A		847096	ABRAZADERA FASCETTA CLAMP	ZÜGEL BRIDE	123456 789ABC DEF	

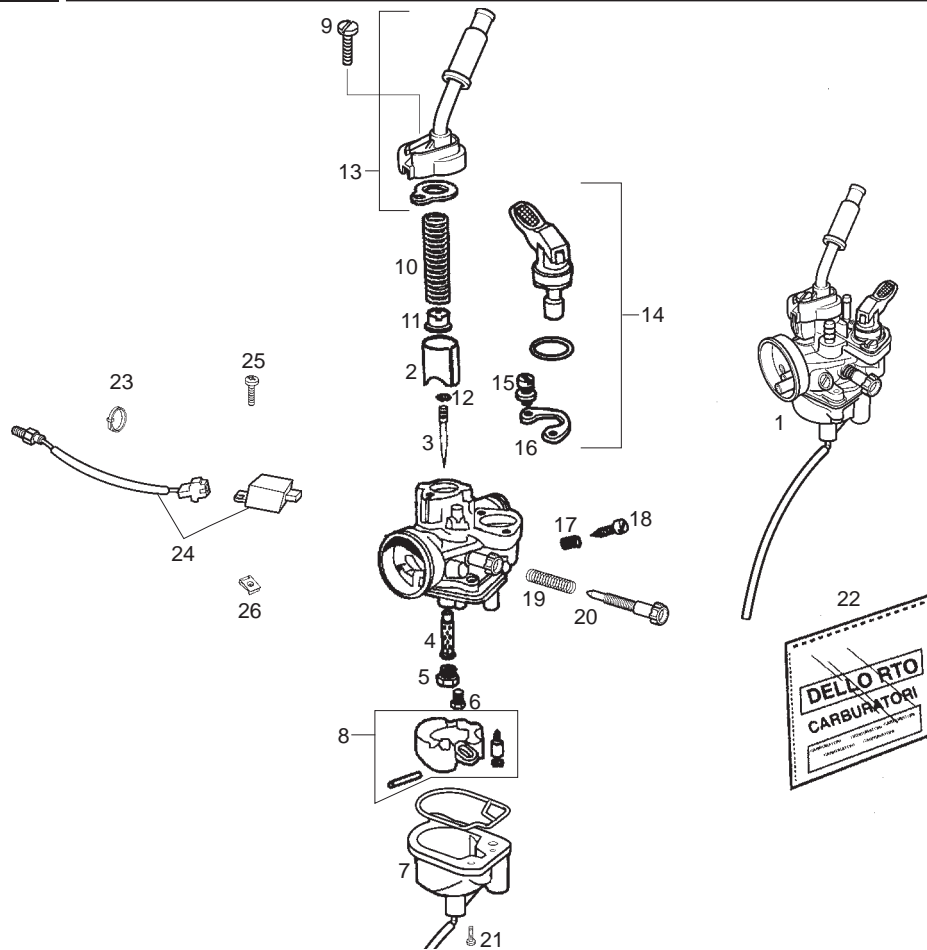


Fig.	Ver.	COD. KOD.	DESCRIPCIÓN DENOMINAZIONE NAME	BEZEICHNUNG DESIGNATION	MOD.	NOTAS NOTES NOTA MITSCHRIFT NOTES
01A		CM152702	CARBURADOR SENDA CARBURATORE CARBURETOR	VERGASER KOMPL ENSEMBLE CARBURATEUR	12 45 78 AB DE	
01B		CM149905	CARBURADOR SENDA SCANDINAVIA CARBURATORE CARBURETOR	VERGASER KOMPL ENSEMBLE CARBURATEUR	3 6 9 C F	
02A		00H03207211	R-COMPUERTA GAS R-VALVOLA GAS SLIDE	GASSCHIEBER BOISSEAU	12 45 78 AB DE	
02B		00F03201211	R-COMPUERTA GAS R-VALVOLA GAS SLIDE	GASSCHIEBER BOISSEAU	3 6 9 C F	
03A		00H03214431	R-AGUJA PULVERIZADORA SPILLO CONICO NEEDLE	DUESENDELUSE AIGUILLE PULVERIZ.	12 3 4 5 6 7 8 9 ABC DE F	
04A		00H03206421	R-PULVERIZADOR «208HA» POLVERIZZATORE NEEDLE JET	ZERSTAUBERDUSE PULVERISATEUR	12 45 78 AB DE	
04B		00H03204421	R-PULVERIZADOR «208GA» POLVERIZZATORE NEEDLE JET	ZERSTAUBERDUSE PULVERISATEUR	3 6 9 C F	
05A		00H03208031	R-SURTIDOR MAXIMO 70 R-GETTO MASSIMO MAIN JET	HAUPT DUSE GICLEUR PRINCIPAL	12 45 78 AB DE	
05B		00H03215031	R-SURTIDOR MAXIMO 63 R-GETTO MASSIMO MAIN JET	HAUPT DUSE GICLEUR PRINCIPAL	3 6 9 C F	
06A		00H04101181	R-SURTIDOR MINIMO 32 R-GETTO MINIMO JET MIN	DUESE MIN. R-GICLEUR MINIMUM.	12 45 78 AB DE	
06B		00H04106181	R-SURTIDOR MINIMO 33 R-GETTO MINIMO JET MIN	DUESE MIN. R-GICLEUR MINIMUM.	3 6 9 C F	

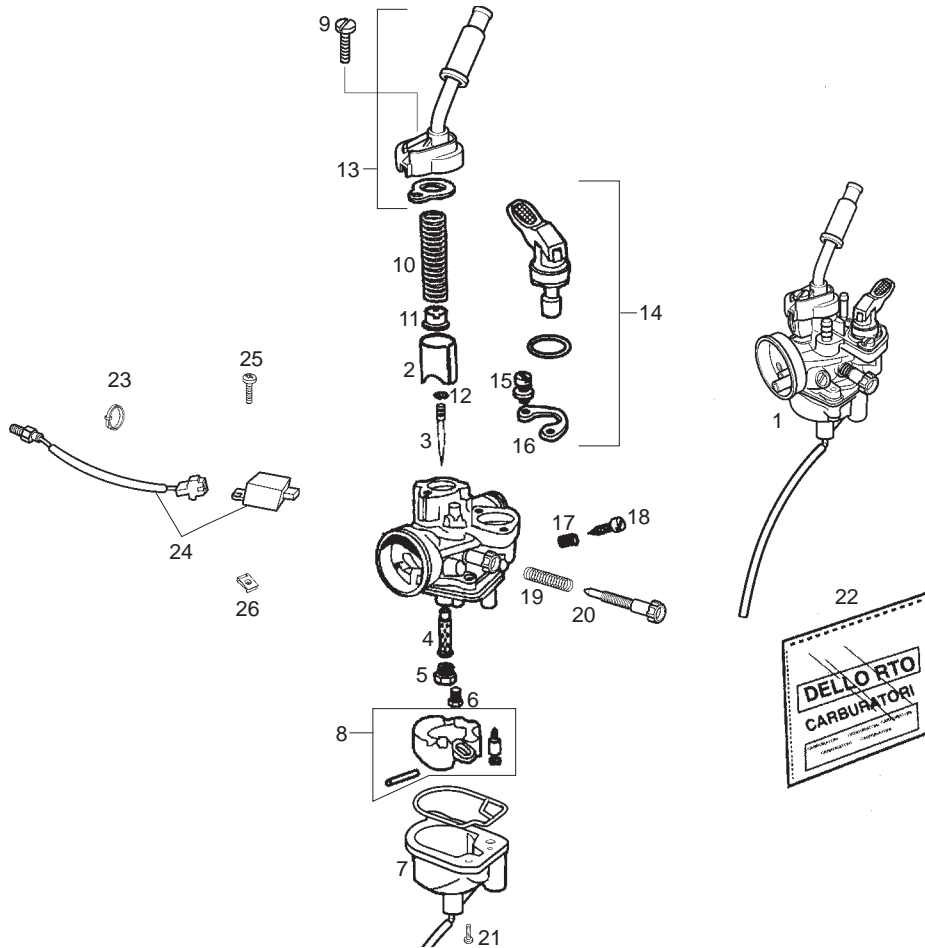


Fig.	Ver.	COD. KOD.	DESCRIPCIÓN DENOMINAZIONE NAME	BEZEICHUNG DESIGNATION	MOD.	NOTAS NOTES NOTA MITSCHRIFT NOTES
07A		484704	VASO GASOLINA VASCHETTA BENZINA FLOAT BOWL SEET	SCHWIMMERKAMMER CUVE INFERIEURE CARBUR.	12 45 78 AB DE	
07B		00H03201201	R-VASO GASOLINA VASCHETTA BENZINA FLOAT BOWL SEET	SCHWIMMERKAMMER CUVE INFERIEURE CARBUR.	3 6 9 C F	
08A		00H03204281	R-KIT FLOTADOR R-GALLEGGIANTE FLOAT	SCHWIMMER R-FLOTTEUR.	12 45 78 AB DE	
08B		00H03202281	R-KIT FLOTADOR R-GALLEGGIANTE FLOAT	SCHWIMMER R-FLOTTEUR.	3 6 9 C F	
09A		00G03200061	TORNILLO FIJACION TAPA R-VITE FISSAGIO COPERCHIO CAM. MIXING XAMBER COVER SEGURING	BEF.-SCHRAUBE DECKEL MISCH R-BOUL.SER.COUV.CHAMBRE MEL	123456 789ABC DEF	
10A		00G03201071	MUELLE VALVULA GAS R-MOLLA VALVOLA GAS THROOTLE VALVE RETURN	FEDER FUR GASVENTIL R-RESSORT VALVE ESS.	123456 789ABC DEF	
11A		00G03200511	CASQUILLO AGUJA PULVERIZADOR GHIERA SPILLO CONICO NEEDLE BUSHING	BUCHSE DUESENNADEL R-DOUILLE AIGUI.PULVERZ.	123456 789ABC DEF	
12A		00G03201371	PINZA AGUJA PULVERIZADOR MORSA SPILLO CONICO NEEDLE CIRCLIP	KLAMMER DUESENNADEL R-PINCE AIGUI.PULVERZ.	123456 789ABC DEF	
13A		00H03204231	TAPA CAMARA MEZCLA R-COPERCHIO CAMARA MISCELA SE COVER CARBURETOR TOP	MISCHRAUMDECKEL COUVERCLE CARBURATEUR	123456 789ABC DEF	
14A		00H03203711	R-CTO STARTER R-STARTER CHOCKE LOCK	STARTERVENTIL VANNE DU STARTER MANUEL	123456 789ABC DEF	
15A		00G03200541	R-TORNILLO FIJACION STARTER R-VITE FISSAGIO STARTER AV. AUTOMA.CHOCKE SEGURING SCREE	BEF.-SCHRAUBE AUTOM STARTER R-BOULON SER.START	123456 789ABC DEF	

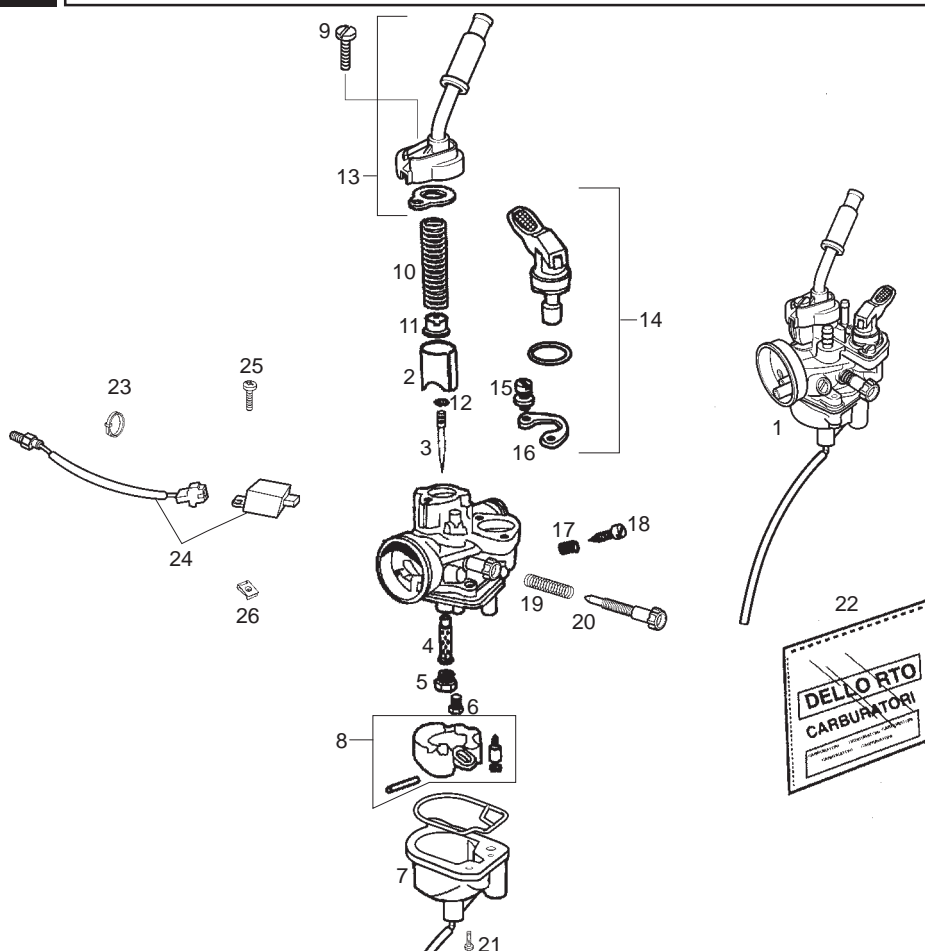


Fig.	Ver.	COD. KOD.	DESCRIPCIÓN DENOMINAZIONE NAME	BEZEICHUNG DESIGNATION	MOD.	NOTAS NOTES NOTA MITSCHRIFT NOTES
16A		00G03200551	R-PRECINTO FIJACION STARTER PIASTRINA FIS. STARTER AUTOMA.CHOCKE SEGURING SCREE	HALTERUNG AUTOM. STARTER R-PLOMBAGE FIX.START	123456 789ABC DEF	
17A		00G03200721	R-MUELLE REGULACION AIRE MINIMO MOLLA REG. ARIA IDLE ADJUSTER	FEDER LUFTREGLER MIN. R-RESSORT REG.AIR MIN.	123456 789ABC DEF	
18A		00G03200731	R-TORNILLO REGULACION AIRE MIN. R-VIS REG.AIR.MIN. IDLE ADJUSTER SCREW	LUFT-REGULIERSCHRAUBE MIN. R-VIS REG.AIR MIN.	123456 789ABC DEF	
19A		00G03200101	R-MUELLE REGULACION VALVULA GAS MOLLA REG. VALVOLA GAS THROATLE VALVE ADJUSTE SPRING	FEDER GAS-VENTIL-REGELUNG R-RES.REG.VALVE ESS.	123456 789ABC DEF	
20A		00G04102131	R-TORNILLO REGULACION VALVULA GAS R-BOUTON VITE REGOLAZIONE VALVOLA THROATLE VALVE ADJUSTER SCREW	SCHRAUBE GAS-VENTIL-REGELU R-VIS REG.VALV.ESS.	123456 789ABC DEF	
21A		00G03201091	R-TORNILLO FIJACION VASO GASOLINA R-VITE FISSAGIO VASCHETTA FLOAT CHAMBER SEGURING SCREW	BEF.-SCHRAUBE R-BOUL.SERG.VASE ESSENC.	123456 789ABC DEF	
22A		00H04103771	R-JUEGO JUNTAS CARBURADOR R-GUARNIZIONE CARBU. CARBURETOR GASKET	DICHTUNGSATZ KOMPL. VERGAS R-ENS. JOINTS CARBUR.	123456 789ABC DEF	
23A		00A00900531	BRIDA FLANGIA UNIONE CAVI CLAMP	KLAMMER COLLIER	3 6 9 C F	
24A		00H06001151	CTO KIT CALENTADOR CARBURADOR KIT RISCALDAMENTO KIT CARBURETTOR HEATER	KABELBAUN FUR HEIZUNG VERG KIT QUI CHAUFFE CARBURATEUR	3 6 9 C F	
25A		00D05900031	TORNILLO 6M100X10 VITE SCREW	SCHRAUBE VIS	3 6 9 C F	
26A		00D01501371	TUERCA FIJACION D6 DADO NUT	MUTTER ECROU	3 6 9 C F	

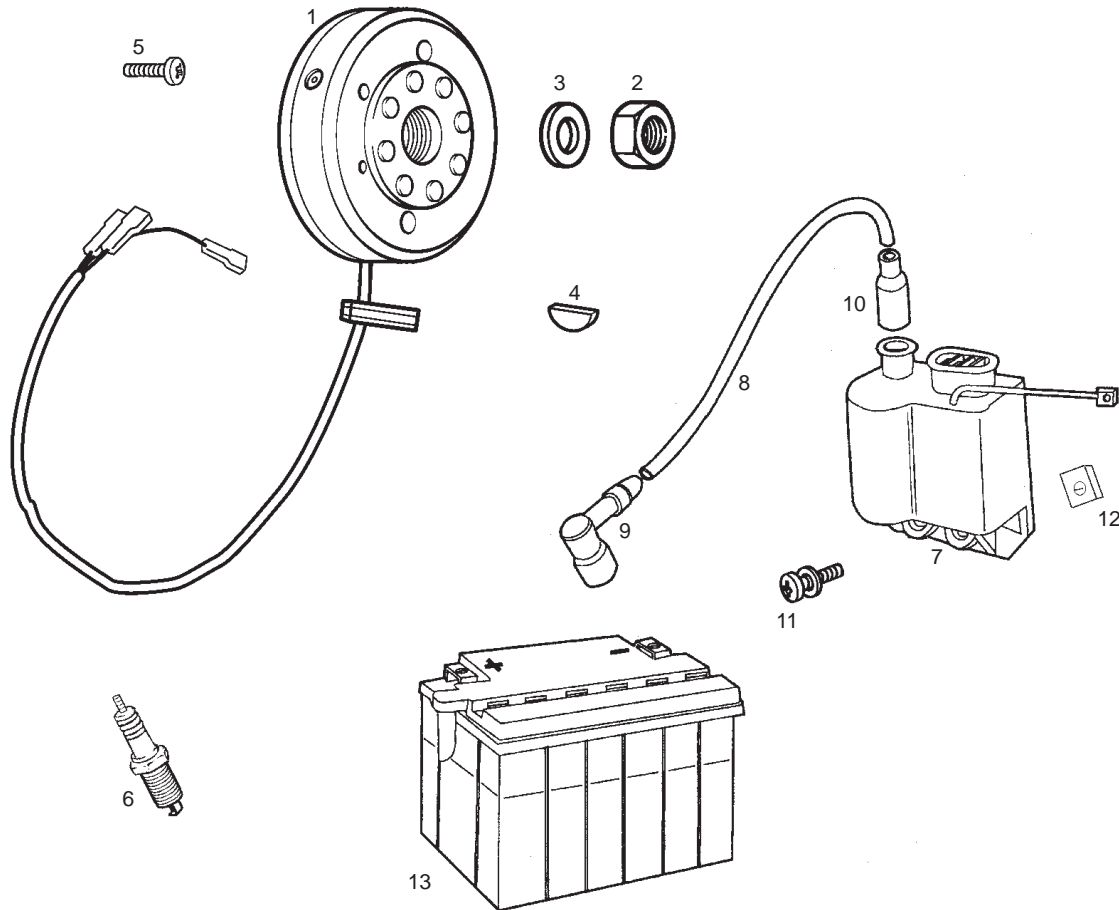


Fig.	Ver.	COD. KOD.	DESCRIPCIÓN DENOMINAZIONE NAME	BEZEICHNUNG DESIGNATION	MOD.	NOTAS NOTES NOTA MITSCHRIFT NOTES
01A		82829R	CTO VOLANTE MAGNETICO VOLANO ELETTRONICO MAGNETO ASSEMBLY	LICHTMASCHINE KOMPL. VOLANT MAGNETIQUE	123456 789ABC DEF	
02A		847235	TUERCA FIJACION VOLANTE.MAGN. DADO NUT	MUTTER ECROU	123456 789ABC DEF	
03A		847234	ARANDELA FIJ. VOLANTE.MAGN RONDELLA WASHER	SCHEIBE RONDELLE	123456 789ABC DEF	
04A		847215	CHAVETA VOLANTE MAGNETICO SPINA VOLANO MAGNETICO .P.PREC. KEY, FLYWHEEL	KEIL CLAVETTE VOLANT MAGNETIQUE	123456 789ABC DEF	
05A		847233	TORNILLO FIJ.VOLTE.MAGN.5M80X10. VITE SCREW	SCHRAUBE VIS	123456 789ABC DEF	
06A		847085	BUJIA CANDELA SPARK PLUG	KERZE BOUGIE	123456 789ABC DEF	
07A		00H03330171	CTO CONVERSION ELECTRONICO COVERTITORE ELETTRON COIL, PRIMARY IGNITION	ZUNDSPULE BOBINE AUTE TENSION	12 45 78 AB DE	
07B		00H03334171	CTO CONVERSION ELECTRONICO COVERTITORE ELETTRON COIL, PRIMARY IGNITION	ZUNDSPULE BOBINE AUTE TENSION	3 6 9 C F	
08A		00F03310741	CABLE BOBINA CAVO BOBINA CABLE COIL PRIMARY IGNITION	ZUNDSPULENKABEL CABLE	123456 789ABC DEF	
09A		00G03301271	CTO. PIPA BUJIA PIPETA CANDELA COVER, SPARK PLUG	ZUNDKERZENSTECRER PIPE DE BOUGIE	123456 789ABC DEF	
10A		00F03300731	CAPUCHON CABLE BOBINA CAPPUCCIO CAVO BOBINA COIL CABLE RUBBER PROTECTOR	KAPPE CAPUCHON	123456 789ABC DEF	

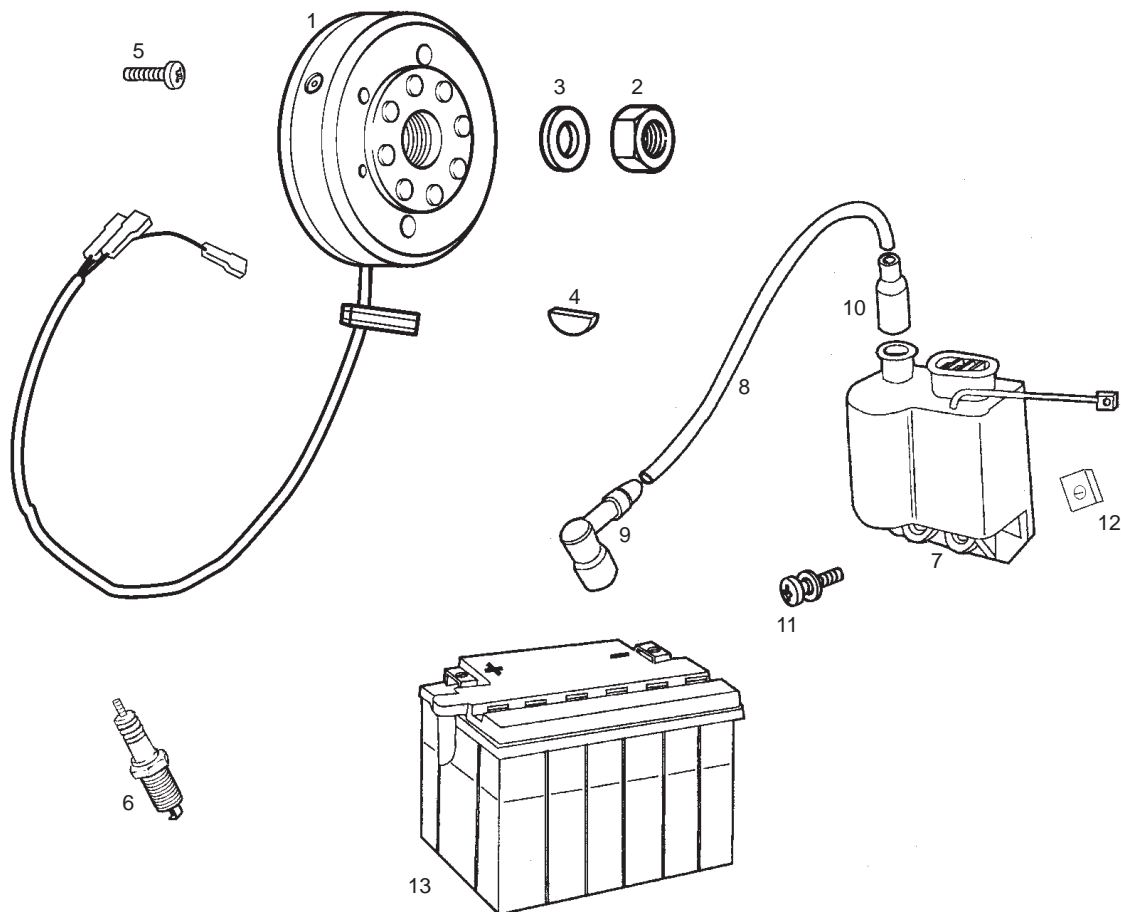


Fig.	Ver.	COD. KOD.	DESCRIPCIÓN DENOMINAZIONE NAME	BEZEICHNUNG DESIGNATION	MOD.	NOTAS NOTES NOTA MITSCHRIFT NOTES
11A		00G06800021	SCTO. TORNILLO 6M100X20 VITE SCREW	SCHRAUBE VIS	123456 789ABC DEF	
12A		00D01501371	TUERCA FIJACION D6 DADO NUT	MUTTER ECROU	123456 789ABC DEF	
13A		00G03301401	BATERIA 12V 4AH. BATTERIA BATTERY	BATTERIE BATTERIE	123456 789ABC DEF	

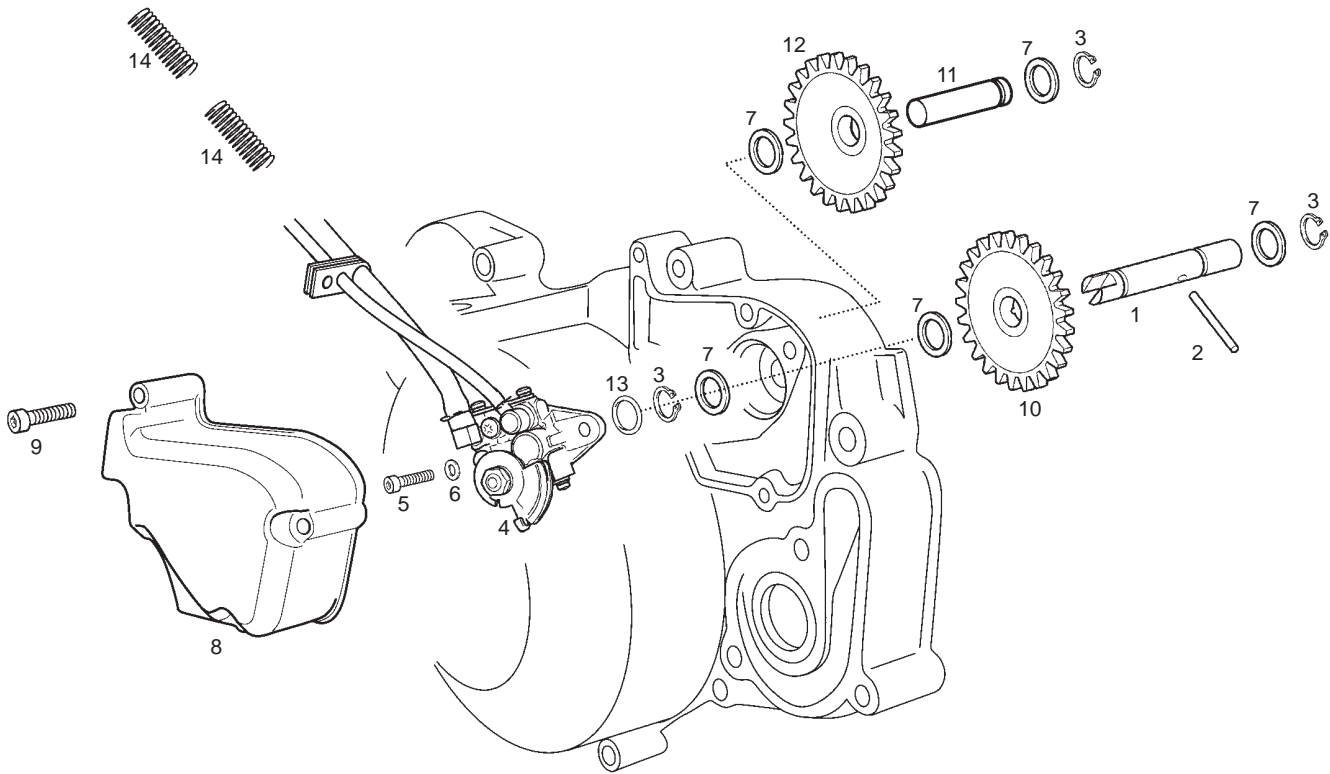


Fig.	Ver.	COD. KOD.	DESCRIPCIÓN DENOMINAZIONE NAME	BEZEICHNUNG DESIGNATION	MOD.	NOTAS NOTES NOTA MITSCHRIFT NOTES
01A		847052	EJE BOMBA ACEITE ASSE POMPA OLIO PUMPOILAXLE	OLPUMPUNACHSE AXE DE POMPE D,HUILLE	123456 789ABC DEF	
02A		847184	PASADOR EJE BOMBA CHIAVISTELLO SOSTEGNO SPIRALE FORK PIN	STIFT GOUDILLE	123456 789ABC DEF	
03A		847182	ANILLO SEGURIDAD EJES D8 ANELLO SICUREZZA CIRCLIP	SEEGERRING CIRCLIP	123456 789ABC DEF	
04A		847055	CTO. BOMBA ACEITE POMPA OLIO OIL PUMP	OLPUMPE POMPE A HUILLE	123456 789ABC DEF	
05A		847227	TORNILLO C/ALLEN 5M80X15 VITE SCREW	SCHRAUBE VIS	123456 789ABC DEF	
06A		847226	ARANDELA D5 RONDELLA WASHER	SCHEIBE RONDELLE	123456 789ABC DEF	
07A		847183	ARANDELA TOPE PIÑON INTERMEDIO RONDELLA WASHER	SCHEIBE RONDELLE	123456 789ABC DEF	
08A		00H03706011	TAPA BOMBA ACEITE COPERCHIO COVER	DECKEL COUVERCLE	123456 789ABC DEF	
09A		00004154000	TORNILLO C/ALLEN 5M80X40 VITE SCREW	SCHRAUBE VIS	123456 789ABC DEF	
10A		847051	PIÑON BOMBA ACEITE Z25 PIGNONE GEAR	ZAHNRAD PIGNON	123456 789ABC DEF	
11A		847076	EJE PIÑONES INTERMEDIOS ASSE AXLE	ACHSE AXE	123456 789ABC DEF	

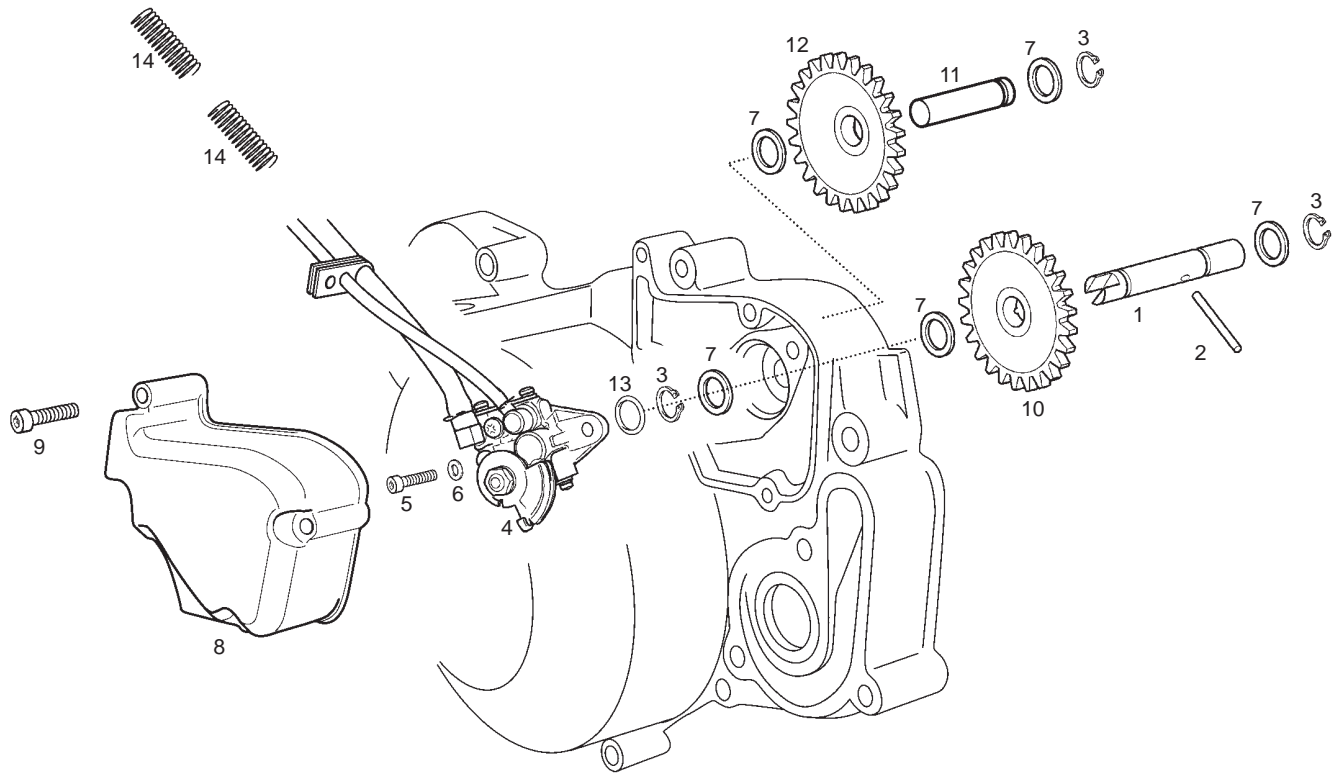


Fig.	Ver.	COD. KOD.	DESCRIPCIÓN DENOMINAZIONE NAME	BEZEICHNUNG DESIGNATION	MOD.	NOTAS NOTES NOTA MITSCHRIFT NOTES
12A		847053	PIÑÓN INTERMEDIO BOMBA Z13/24 PIGNONE GEAR	ZAHNRAD PIGNON	123456 789ABC DEF	
13A		311163	JUNTA BOMBA ACEITE GUARNIZIONE GASKET	DICHTUNG JOINT	123456 789ABC DEF	
14A		00H03701511	MUELLE PROTECCION TUBO ACEITE MOLLA SPRING	FEDER RESORT	123456 789ABC DEF	

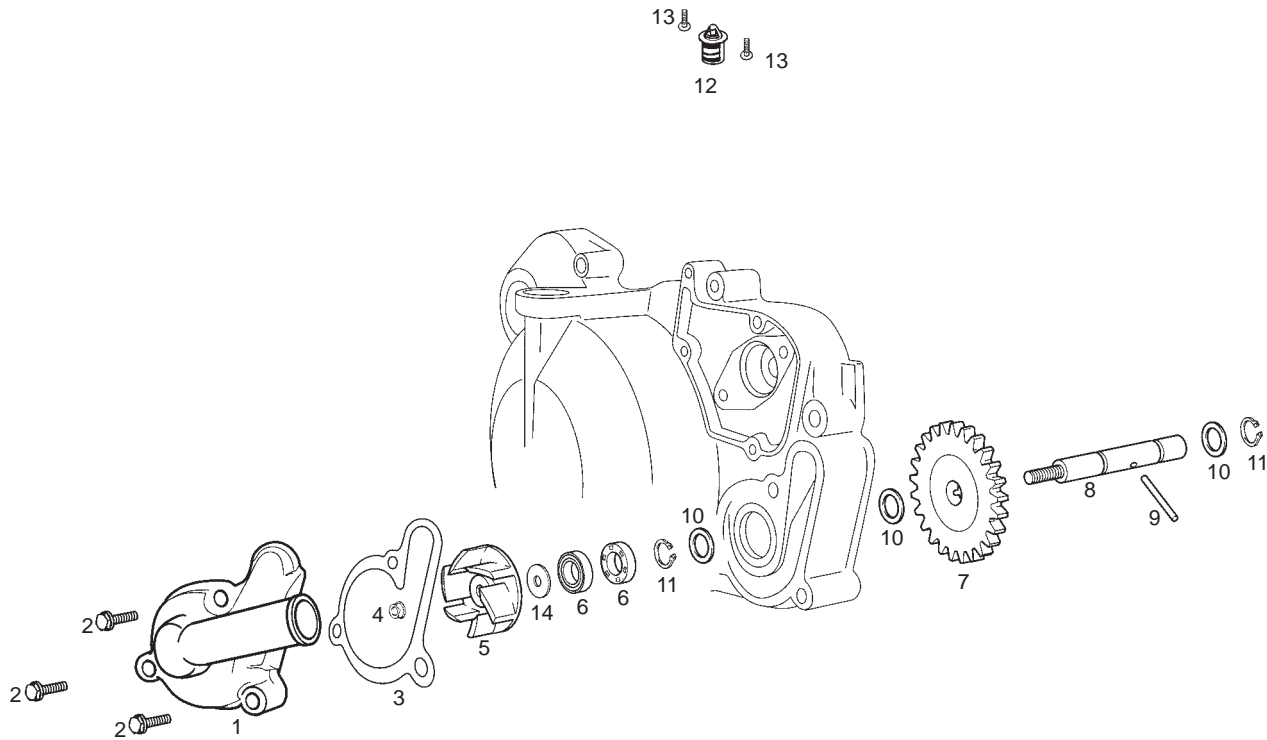


Fig.	Ver.	COD. KOD.	DESCRIPCIÓN DENOMINAZIONE NAME	BEZEICHNUNG DESIGNATION	MOD.	NOTAS NOTES NOTA MITSCHRIFT NOTES
01A		CM150802	TAPA BOMBAAGUA COPERCHIO POMPAACQUA WATER PUMP COVER	DECKEL F. WASSERPUMPE COUVERCLE DE POMPE D,EAU	123456 789ABC DEF	
02A		CM149805	TORNILLO FIJACION 6X30 Zn.B VITE SCREW	SCHRAUBE VIS	123456 789ABC DEF	
03A		849169	JUNTA TAPA BOMBAAGUA GUARNIZIONE COPERCHIO GASKET	DICHTUNG F. WASSERPUMPENDE JOINT	123456 789ABC DEF	
04A		847067	TUERCA 5M80 LATON DADO NUT	MUTTER ECROU	123456 789ABC DEF	
05A		847079	RODETE BOMBAAGUA ROCCHETTO POMPAACQUA WATER PUMP ROLLER	LAUFER F. WASSERPUMP CHIGNON POMPE D,EAU	123456 789ABC DEF	
06A		847077	RETEN EJE BOMBA GIUNTO TENUTA SEAL	DICHTRING JOINT	123456 789ABC DEF	
07A		847080	PIÑÓN BOMBAAGUA Z-32 PIGNONE GEAR	ZAHNRAD PIGNON	123456 789ABC DEF	
08A		847078	EJE BOMBAAGUA ASSE POMPAACQUA WATER-PUMP SHAFT	WASSERPUMPENACHSE AXE POMPE D,AEU	123456 789ABC DEF	
09A		847184	PASADOR EJE BOMBA CHIAVISTELLO SOSTEGNO SPIRALE FORK PIN	STIFT GOUDILLE	123456 789ABC DEF	
10A		847183	ARANDELA TOPE PIÑÓN INTERMEDIO RONDELLA WASHER	SCHEIBE RONDELLE	123456 789ABC DEF	
11A		847182	ANILLO SEGURIDAD D8 ANELLO SICUREZZA CIRCLIP	SEEGERRING CIRCLIP	123456 789ABC DEF	

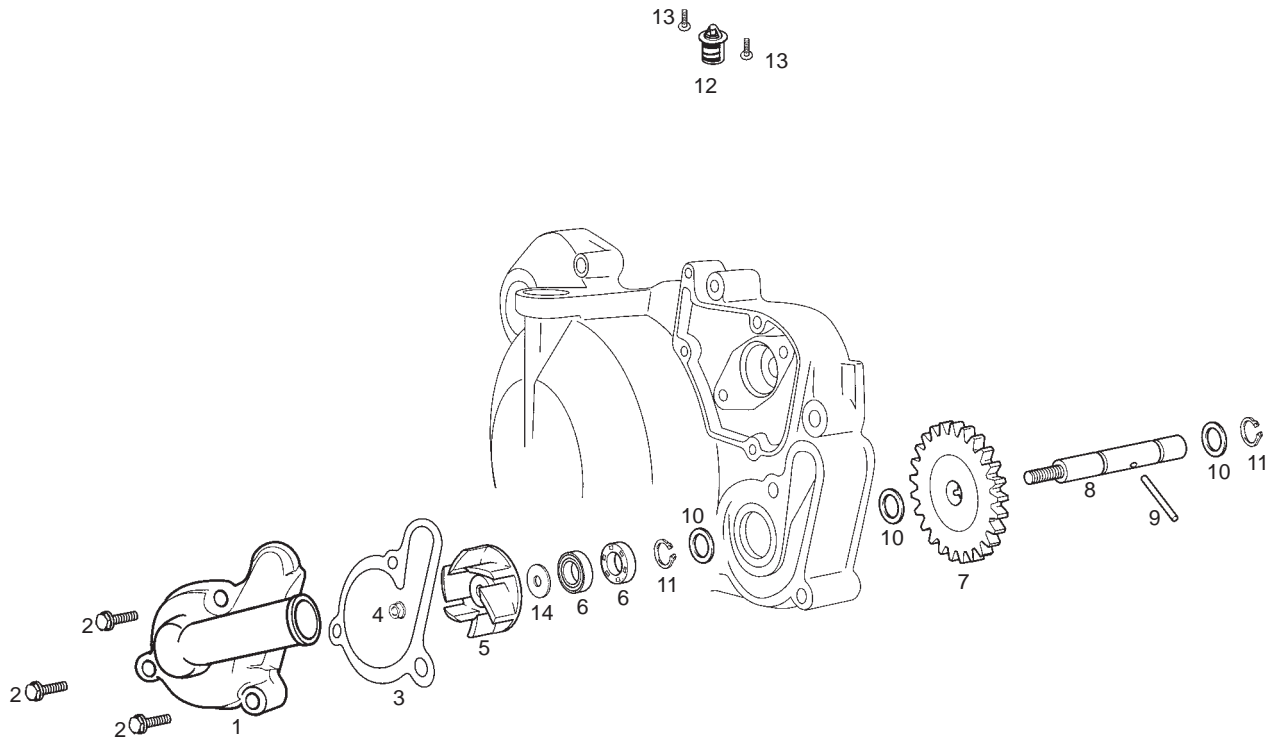


Fig.	Ver.	COD. KOD.	DESCRIPCIÓN DENOMINAZIONE NAME	BEZEICHNUNG DESIGNATION	MOD.	NOTAS NOTES NOTA MITSCHRIFT NOTES
12A		483395	INTERRUPTOR TERMICO INTERRUPTORE TERMICO THERMIC SWITCH	SCHALTER INTERRUPTEUR	123456 789ABC DEF	
13A		847176	TORNILLO C/RED CRUZ NEGRO VITE SCREW	SCHRAUBE VIS	123456 789ABC DEF	
14A		847181	ARANDELA RONDELLA WASHER	SCHEIBE RONDELLE	123456 789ABC DEF	

CODIGO CODE	Lám. Diagnr.	Figr.	Vers.	CODIGO CODE	Lám. Diagnr.	Figr.	Vers.	CODIGO CODE	Lám. Diagnr.	Figr.	Vers.	CODIGO CODE	Lám. Diagnr.	Figr.	Vers.
00A00900531	06	21A		00G00400501	13	30A		00H00405686	04	01B		00H01302355	09	17A	
00A00900531	13	25A		00G00800261	06	30A		00H00406011	04	09A		00H01304091	09	06A	
00A00900531	21	23A		00G01001571	07	13A		00H00556692	05	15B		00H01304202	03	02A	
00D00200761	02A	27A		00G01500951	12	03A		00H00556693	05	15C		00H01304202	09	02A	
00D00200761	02B	26A		00G01503701	05	09A		00H00556696	05	15A		00H01305531	09	16A	
00D00900531	07	27A		00G01503701	10	06A		00H00556702	05	16B		00H01307821	09	14A	
00D01000701	06	24A		00G01601581	11	07A		00H00556703	05	16C		00H01308361	09	22A	
00D01100201	10	04A		00G01602581	11	06A		00H00556706	05	16A		00H01309321	09	23A	
00D01200171	03	18A		00G01606051	11	08A		00H00600341	04	18A		00H01317031	09	15A	
00D01200171	04	29A		00G02102083	06	05A		00H00604141	04	02A		00H01326031	09	15B	
00D01200171	05	03A		00G02200692	13	17A		00H00626011	04	17A		00H01500691	04	36A	
00D01200171	07	21A		00G03200061	21	09A		00H00626012	04	17B		00H01501212	09	24A	
00D01201091	08	11A		00G03200101	21	19A		00H00705121	05	13A		00H01501811	03	15A	
00D01300091	08	05A		00G03200511	21	11A		00H00711025	05	01C		00H01501811	10	13A	
00D01300192	03	06A		00G03200541	21	15A		00H00712341	05	11A		00H01502201	09	07A	
00D01301401	09	10A		00G03200551	21	16A		00H00714022	05	01D		00H01502871	03	22A	
00D01500021	05	19A		00G03200721	21	17A		00H00714023	05	01B		00H01506201	09	07B	
00D01500021	11	05A		00G03200731	21	18A		00H00714024	05	01A		00H01508181	03	16A	
00D01500471	04	32A		00G03201071	21	10A		00H00800422	01	13A		00H01508191	03	10A	
00D01500552	04	22A		00G03201091	21	21A		00H00803082	01	10A		00H01600911	11	04A	
00D01500552	13	11A		00G03201371	21	12A		00H00805072	01	12A		00H01616021	11	09A	
00D01501371	03	19A		00G03204272	04	13A		00H00819011	01	09A		00H01625521	11	01A	
00D01501371	04	28A		00G03301271	22	09A		00H00908012	06	01A		00H01628521	11	01B	
00D01501371	05	08A		00G03301401	22	13A		00H00915751	06	11A		00H01703301	07	24A	
00D01501371	07	14A		00G03800601	13	04A		00H00917301	06	17A		00H01703391	07	26A	
00D01501371	07	20A		00G03800741	13	24A		00H00930071	06	15A		00H01800402	12	08A	
00D01501371	13	06A		00G03801701	13	12A		00H00930091	06	04A		00H01801771	01	15A	
00D01501371	21	26A		00G03900821	20	19A		00H00931171	06	03A		00H01802081	02A	18A	
00D01501371	22	12A		00G04102131	21	20A		00H00934171	06	03B		00H01802081	02B	18A	
00D01520096	01	20A		00G04400752	05	12A		00H01000131	07	07A		00H01803331	03	09A	
00D01540456	01	21A		00G04401462	05	04A		00H01000371	07	10A		00H01809541	04	25A	
00D02100901	06	22A		00G04401462	07	36A		00H01001701	10	07A		00H01961601	01	01A	
00D02600631	04	35A		00G04401462	10	29A		00H01001911	07	29A		00H02004541	02A	05A	
00D02600631	10	26A		00G04401462	13	20A		00H01002341	07	08A		00H02017031	02A	15A	
00D02600631	12	12A		00G04700141	08	20A		00H01002821	07	33A		00H02025041	02A	16A	
00D02600631	13	23A		00G04700141	10	23A		00H01005311	07	19A		00H02100191	06	07A	
00D03210491	04	27B		00G06300671	05	07A		00H01006321	07	09A		00H02100861	06	08A	
00D03700131	04	12A		00G06800021	22	11A		00H01008841	07	18A		00H02101621	06	02A	
00D03700131	13	31A		00H00202441	02A	25A		00H01012011	07	03A		00H02105611	06	27A	
00D05900031	21	25A		00H00202451	02A	19A		00H01046301	07	01A		00H02201302	01	24A	
00D05900081	07	17A		00H00202761	02A	03A		00H01100172	10	17A		00H02201312	01	06A	
00D05910081	12	13A		00H00203701	02A	24A		00H01101211	10	08A		00H02201591	05	18A	
00F00400131	04	07A		00H00204601	02B	04A		00H01101731	10	05A		00H02213671	06	28A	
00F00400771	04	08A		00H00205501	02A	06A		00H01102072	10	15A		00H02258872	07	02C	
00F00403321	04	14A		00H00206471	02A	17A		00H01102181	10	12A		00H02258873	07	02B	
00F00900531	10	10A		00H00206601	02A	04A		00H01103611	10	14A		00H02258876	07	02A	
00F00902291	06	06A		00H00207231	02A	23A		00H01104583	10	21A		00H02259871	07	02D	
00F00910291	06	16A		00H00208191	02A	12A		00H01109081	10	01A		00H02300961	07	30A	
00F00920551	06	19A		00H00209271	02A	07A		00H01120021	10	16A		00H02305381	06	14A	
00F01210312	09	12A		00H00209741	02A	02A		00H01202193	08	19A		00H02401282	09	18A	
00F01811411	01	28A		00H00211531	02A	14A		00H01202331	08	15A		00H02402282	08	18A	
00F03201211	21	02B		00H00219171	02A	11A		00H01203272	08	02A		00H02404332	09	01A	
00F03300731	22	10A		00H00220011	02A	10A		00H01205711	08	08A		00H02500272	01	18A	
00F03310741	22	08A		00H00221091	02A	09A		00H01206061	08	09A		00H02501491	20	28A	
00F03700131	15	21A		00H00239001	02A	13A		00H01206101	08	13A		00H02703421	17	02A	
00F03710131	04	16A		00H00300912	03	21A		00H01208111	08	14A		00H02800421	18	23A	
00F03710241	13	27A		00H00301401	03	05A		00H01209021	08	07A		00H02808371	18	22B	
00F04201361	12	15A		00H00303892	03	11A		00H01212082	08	12A		00H02810421	18	23B	
00F04700121	08	25A		00H00308971	03	01A		00H01301501	09	19A		00H02813371	18	22A	
00F04700121	10	27A		00H00400501	13	35A		00H01301691	09	20A		00H02902252	19	15A	
00G00200112	02A	26A		00H00400501	13	37A		00H01301831	08	17A		00H03000272	01	26A	
00G00200112	02B	25A		00H00404051	04	24A		00H01301831	10	22A		00H03007241	20	06A	
00G00400181	04	11A		00H00404684	04	01A		00H01302052	09	09A		00H03201201	21	07B	
00G00400501	04	10A		00H00405682	04	01C		00H01302172	09	11A		00H03201251	04	26B	

CODIGO CODE	Lám. Diagr.	Figr.	Vers.	CODIGO CODE	Lám. Diagr.	Figr.	Vers.	CODIGO CODE	Lám. Diagr.	Figr.	Vers.	CODIGO CODE	Lám. Diagr.	Figr.	Vers.
00H03202281	21	08B		00H04724081	08	01A		00002215152	01	25A		00031106000	02A	22A	
00H03203711	21	14A		00H04903292	01	22A		00002503230	03	04A		00031106000	02B	22A	
00H03204231	21	13A		00H04924091	05	20C		00002518790	01	17A		00031106000	07	25A	
00H03204281	21	08A		00H04924092	05	20B		00003112322	03	03A		00034000802	08	23A	
00H03204421	21	04B		00H04924093	05	20D		00003112322	08	03A		00034000802	10	24A	
00H03206421	21	04A		00H04924094	05	20A		00003115422	03	12A		00036008000	01	02A	
00H03207211	21	02A		00H05001411	15	20A		00003127200	19	19A		00037000600	19	21A	
00H03207261	04	33A		00H05101011	14	04A		00003306570	01	30A		00047030400	04	04A	
00H03208031	21	05A		00H05101561	14	02A		00003710110	07	04A		00047030900	19	16A	
00H03208491	04	27A		00H05157651	05	24D		00003710120	07	05A		00058120100	08	04A	
00H03209251	04	26A		00H05157652	05	24C		00004053500	07	32A		00058120100	09	05A	
00H03214431	21	03A		00H05160121	14	01A		00004061600	06	23A		00073481964	04	31A	
00H03215031	21	05B		00H05168651	05	24A		00004061600	12	09A		00092061214	13	15A	
00H03330171	22	07A		00H05168652	05	24B		00004154000	23	09A		00232120032	08	16A	
00H03334171	22	07B		00H05168652	05	24E		00004162500	19	20A		00262080022	01	08A	
00H03404321	12	11A		00H05700481	07	35A		00005010760	06	25A		00262100032	01	27A	
00H03423411	12	02A		00H05701101	07	42A		00005527540	10	19A		00262120032	09	13A	
00H03446081	12	01B		00H05703141	07	06A		00005551290	14	03A		00402060001	09	03A	
00H03453081	12	01A		00H05900021	04	34A		00006309260	06	26A		00402080001	01	03A	
00H03700131	10	09A		00H05908251	01	29A		00006309260	10	02A		00402080001	08	22A	
00H03700461	20	18A		00H06001151	21	24A		00006321040	06	12A		00402080001	10	18A	
00H03701411	13	29A		00H06007211	04	25B		00006321040	10	03A		00402080001	12	06A	
00H03701511	23	14A		00H06101231	04	23A		00008051600	07	40A		00402100001	01	23A	
00H03703051	13	28A		00H06201061	04	15A		00008061500	02A	21A		00442060002	17	10A	
00H03704081	13	26A		00H06301401	01	16A		00008061500	02B	21A		00454050001	11	03A	
00H03706011	23	08A		00H06303752	04	05A		00008061500	07	43A		311163	23	13A	
00H03800722	07	11A		00H06303762	04	03A		00008062000	07	37A		436947	15	14A	
00H03800722	07	39A		00H06500451	01	19A		00008213182	08	06A		483395	24	12A	
00H03800751	13	05A		00H06500561	04	41A		00008902630	01	11A		484704	21	07A	
00H03800751	13	14A		00H06800461	07	34A		00008915020	04	21A		828152	20	25A	
00H03801711	13	18A		00000002840	10	25A		00008915020	13	09A		82829R	22	01A	
00H03801961	13	36A		00000004412	07	38A		0000A517011	07	23A		82835R	16	10A	
00H03802031	13	16A		00000004510	18	24B		00011021300	07	16A		847006	15	03A	
00H03802091	13	33A		00000004635	02A	08A		00011041300	03	08A		847007	15	18A	
00H03802461	04	37A		00000004830	02A	01A		00011051401	05	22A		847008	15	15A	
00H03802472	13	03A		00000012415	12	14A		00011051801	04	19A		847009	15	07A	
00H03802501	13	02B		00000012508	06	20A		00011141300	03	20A		847010	15	10A	
00H03802541	13	01B		00000021050	07	15A		00011141300	10	11A		847012	15	04A	
00H03802751	13	08A		00000021080	06	13A		00011141300	13	22A		847014	15	08A	
00H03804971	13	32A		00000023051	07	12A		00012061000	03	07A		847015	20	16A	
00H03805011	13	01A		00000023060	07	28A		00012061000	03	23A		847019	18	19A	
00H03805091	13	34A		00000023060	09	25A		00012061200	04	20A		847020	15	11A	
00H03805301	13	19A		00000023080	06	18A		00012061200	07	22A		847020	15	13A	
00H03808021	13	13A		00000031050	03	14A		00012062500	04	42A		847021	18	04A	
00H03810501	13	02A		00000031050	05	21A		00012081621	12	05A		847022	20	02A	
00H04101181	21	06A		00000031050	07	41A		00012151500	10	28A		847023	20	10A	
00H04103771	21	22A		00000031050	13	07A		00012151500	13	21A		847023	20	29A	
00H04106181	21	06B		00000031060	05	14A		00012152000	05	23A		847024	20	17A	
00H04200721	04	38A		00000031080	02A	20A		00012152000	11	02A		847026	15	09A	
00H04200741	04	40A		00000031080	06	10A		00012161600	03	17A		847027	18	01A	
00H04202721	04	39A		00000033040	18	25A		00012161600	04	30A		847028	18	06A	
00H04302181	04	06A		00000033060	12	10A		00012161600	05	02A		847029	18	36A	
00H04437801	05	05D		00000034050	18	25B		00012161600	05	10A		847030	18	27A	
00H04437802	05	05C		00000036100	19	17A		00012161600	05	17A		847031	18	37A	
00H04437803	05	05A		00000056205	01	14A		00012161600	13	10A		847032	18	26A	
00H04437805	05	05B		00000061040	19	18A		00014041200	06	09A		847036	18	32A	
00H04437806	05	05E		00001113192	09	04A		00022083021	08	21A		847038	18	29A	
00H04437881	05	06D		00002041050	18	24A		00022084021	01	04A		847040	16	11A	
00H04437882	05	06C		00002062011	12	04A		00022084521	01	07A		847042	16	12A	
00H04437883	05	06A		00002062511	17	09A		00023108000	01	05A		847043	16	07A	
00H04437885	05	06B		00002082021	11	10A		00023108000	10	20A		847044	16	08A	
00H04437886	05	06E		00002182000	09	08A		00023108000	12	07A		847045	16	03A	
00H04608921	06	29A		00002212070	08	10A		00023112000	03	13A		847046	16	13A	
00H04612841	07	31A		00002212070	09	21A		00031086022	08	24A		847047	16	14A	

CODIGO CODE	Lám. Diagr.	Figr.	Vers.	CODIGO CODE	Lám. Diagr.	Figr.	Vers.	CODIGO CODE	Lám. Diagr.	Figr.	Vers.	CODIGO CODE	Lám. Diagr.	Figr.	Vers.
847048	16	16A		847217	16	02A		863164	02B	29A					
847051	23	10A		847218	16	04A		871319	20	30A					
847052	23	01A		847220	16	05A		CM149801	20	09A					
847053	23	12A		847221	16	06A		CM149802	19	02A					
847055	23	04A		847223	16	21A		CM149804	15	19A					
847056	19	08A		847224	16	15A		CM149804	20	22A					
847057	19	10A		847225	16	17A		CM149805	24	02A					
847058	19	11A		847226	23	06A		CM149806	20	23A					
847059	19	12A		847227	23	05A		CM149808	20	24A					
847060	19	07A		847228	17	08A		CM149809	20	26A					
847061	19	06A		847228	19	01A		CM149905	21	01B					
847062	19	09A		847229	19	03A		CM1503015	20	01A					
847067	24	04A		847230	19	13A		CM150703	20	04A					
847068	17	06A		847231	19	14A		CM150802	24	01A					
847069	17	04A		847232	19	05A		CM151201	16	20A					
847070	17	05A		847233	22	05A		CM151902	15	06A					
847073	17	03A		847234	22	03A		CM152702	21	01A					
847074	19	04A		847235	22	02A									
847075	16	19A		847236	17	01A									
847075	17	07A		847237	20	07A									
847076	23	11A		847238	20	08A									
847077	24	06A		847239	20	13A									
847078	24	08A		847240	20	12A									
847079	24	05A		847241	20	03A									
847080	24	07A		8472625001	15	02A									
847081	18	31A		8472625002	15	02B									
847083	16	18A		8472625003	15	02C									
847084	20	05A		8472625004	15	02D									
847085	22	06A		847508	15	01A									
847086	18	03A		847529	15	17A									
847087	20	14A		847541	18	16A									
847090	16	22A		847542	18	14A									
847091	20	11A		847544	18	02A									
847092	20	21A		847545	18	18A									
847093	20	20A		847546	18	17A									
847096	20	31A		847547	18	34A									
847098	16	01A		847548	18	15A									
847153	18	07A		847549	18	11A									
847154	18	21A		847550	18	13A									
847155	18	09A		849169	24	03A									
847156	18	10A		861000	07	31B									
847157	18	08A		861001	02B	13A									
847158	18	30A		861781	14	01B									
847159	18	35A		863143	02B	01A									
847172	15	12A		863144	02B	02A									
847174	20	27A		863145	02B	03A									
847176	24	13A		863146	02B	05A									
847178	15	05A		863147	02B	06A									
847179	16	09A		863148	02B	07A									
847180	20	15A		863149	02B	08A									
847181	24	14A		863150	02B	09A									
847182	23	03A		863151	02B	10A									
847182	24	11A		863152	02B	11A									
847183	23	07A		863153	02B	12A									
847183	24	10A		863154	02B	14A									
847184	23	02A		863155	02B	15A									
847184	24	09A		863156	02B	16A									
847209	18	20A		863157	02B	17A									
847210	18	05A		863158	02B	19A									
847211	18	12A		863159	02B	20A									
847213	18	33A		863160	02B	23A									
847214	18	28A		863161	02B	24A									
847215	15	16A		863162	02B	27A									
847215	22	04A		863163	02B	28A									