

NACIONAL MOTOR, S.A.U. DERBI

C/ Barcelona, nº19 - Martorelles 08107 - BARCELONA (SPAIN)
Tel. 93 565 78 78 - Fax 93 565 78 52

DERBI



SENDA R DRD RACING 2005-2008 E2

CÓDIGO CATÁLOGO
CATALOGUE NUMBER

7077CH08001

**IDENTIFICACION DE MODELOS REPRESENTADOS EN ESTE
CATALOGO SEGUN LOS DIGITOS SIGUIENTES**

**IDENTIFICAZIONE DEI MODELLI RAPPRESENTATI IN QUESTO CATALOGO
SECONDO I NUMERI A SEGUIRE**

**THE MODELS REFERRED INTO THIS CATALOGUE ARE IDENTIFIED
BY FOLLOWING NUMBERS**

BESTIMMUNG DER VERSCHIEDENEN MODELLE IN DIESEM KATALOG

**IDENTIFICATION DES MODELOES REPRESENTES DANS CE CATALOGUE,
EN FUNCTION DES CODES SUIVANTS**

MODELO MODELLI MODEL MODELL MODELE	DENOMINACION DENOMINAZIONE MODEL NAME BEZEICHNUNG DENOMINATION	CODIGO MODELO CODICE MODELLI CODE MODEL KODE MODELL CODE MODELE
1	SENDAR DRD RACING ESPAÑA AZUL (SALVIA) 2005 E2 SENDAR DRD RACING FRANCE BLUE (SALVIA) 2005 E2 SENDAR DRD RACING ENGLAND BLUE (SALVIA) 2005 E2 SENDAR DRD RACING ITALY BLUE (SALVIA) 2005 E2 SENDAR DRD RACING AUSTRIA BLUE (SALVIA) 2005 E2 SENDAR DRD RACING BENELUX BLUE (SALVIA) 2005 E2	E92H53E641 E92H53F641 E92H53G641 E92H53I641 E92H53U641 E92H53X641
2	SENDAR DRD RACING ESPAÑA ROJO (FLUOR) 2005 E2 SENDAR DRD RACING FRANCE RED (FLUOR) 2005 E2 SENDAR DRD RACING ENGLAND RED (FLUOR) 2005 E2 SENDAR DRD RACING ITALY RED (FLUOR) 2005 E2 SENDAR DRD RACING AUSTRIA RED (FLUOR) 2005 E2 SENDAR DRD RACING BENELUX RED (FLUOR) 2005 E2	E92H53E631 E92H53F631 E92H53G631 E92H53I631 E92H53U631 E92H53X631
3	SENDAR DRD RACING D ESPAÑA AZUL (SALVIA) 2006 E2 SENDAR DRD RACING D FRANCE BLUE (SALVIA) 2006 E2 SENDAR DRD RACING D ENGLAND BLUE (SALVIA) 2006 E2 SENDAR DRD RACING D ITALY BLUE (SALVIA) 2006 E2	E92H64E640 E92H64F640 E92H64G640 E92H64I640
4	SENDAR DRD RACING D ESPAÑA BLANCO (AJEDREA) 2006 E2 SENDAR DRD RACING D FRANCE WHITE (AJEDREA) 2006 E2 SENDAR DRD RACING D ENGLAND WHITE (AJEDREA) 2006 E2 SENDAR DRD RACING D ITALY WHITE (AJEDREA) 2006 E2	E92H64E610 E92H64F610 E92H64G610 E92H64I610
5	SENDAR DRD RACING ESPAÑA NEGRO (OMBU) 2008 E2 SENDAR DRD RACING FRANCE BLACK (OMBU) 2008 E2 SENDAR DRD RACING ENGLAND BLACK (OMBU) 2008 E2 SENDAR DRD RACING ITALY BLACK (OMBU) 2008 E2	E92H64E880 E92H64F880 E92H64G880 E92H64I880
6	SENDAR DRD RACING ESPAÑA BLANCO (AJEDREA) / AZUL 2008 E2 SENDAR DRD RACING FRANCE WHITE (AJEDREA) / BLUE 2008 E2 SENDAR DRD RACING ENGLAND WHITE (AJEDREA) / BLUE 2008 E2 SENDAR DRD RACING ITALY WHITE (AJEDREA) / BLUE 2008 E2 SENDAR DRD RACING AUSTRIA WHITE (AJEDREA) / BLUE 2008 E2	E92H64E810 E92H64F810 E92H64G810 E92H64I810 E92H64U810

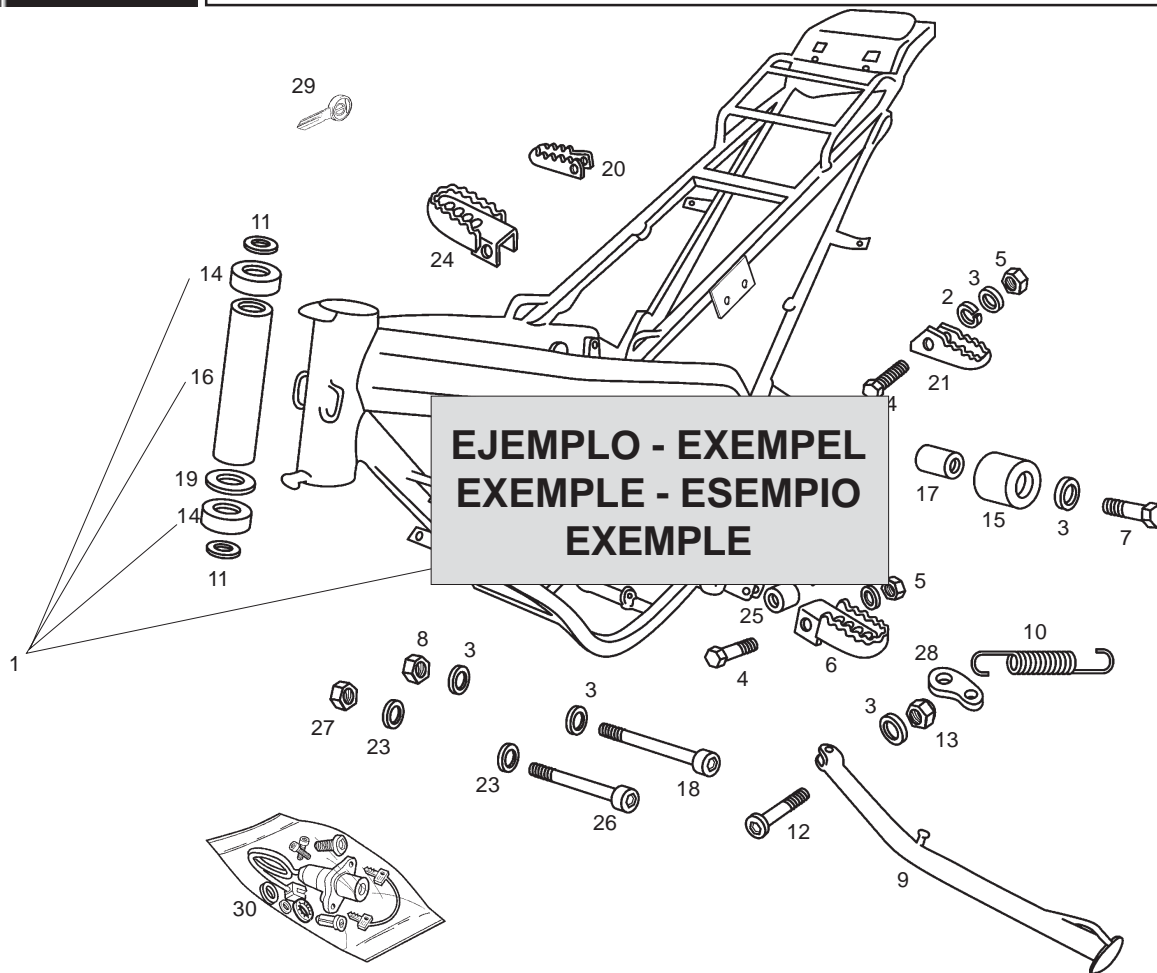


Fig.	Ver.	COD. KOD.	DESCRIPCIÓN DENOMINAZIONE NAME	BEZEICHNUNG DESIGNATION	MOD.	NOTAS NOTES NOTA MITSCHRIFT NOTES
01A		00G01924601	R-SCTO.CUADRO C/COJIN. ATLANTIS TELAIO FRAME SUB-ASSEMBLY	RHAMEN CADRE COMPLET	12	XXXXXXX
②	01	00G01924601	R-SCTO.CUADRO C/COJIN. ATLANTIS TELAIO FRAME SUB-ASSEMBLY	RHAMEN CADRE COMPLET	12	XXXXXXX
③	02	00G01924601	R-SCTO.CUADRO C/COJIN. ATLANTIS TELAIO FRAME SUB-ASSEMBLY	RHAMEN CADRE COMPLET	12	XXXXXXX
④	03	00G01924601	R-SCTO.CUADRO C/COJIN. ATLANTIS TELAIO FRAME SUB-ASSEMBLY	RHAMEN CADRE COMPLET	12	XXXXXXX
①		⑤		⑧	⑥	⑦

1- Código de localización de piezas. 2- Código indicativo de pieza reemplazada. 3- Código indicativo de pieza anulada. 4- Código indicativo de pieza restituida (esta se monta de nuevo). 5- Código de referencia de la pieza. 6- Identificación de modelos. 7- Los códigos de esta casilla indican que, a partir del número de chasis o motor indicado dentro de esta, se monta una nueva pieza que reemplaza a la anterior (sección 2), que una pieza no se monta (sección 3), o que la pieza anulada se monta de nuevo (sección 4), y concierne a los modelos indicados (sección 6). 8- Denominación de la pieza.

1- Codice di localizzazione pezzi. 2- Codice indicatore del pezzo sostituito. 3- Il pezzo precedente non si monta. 4- Codice indicatore dei pezzi che si tornano a montare. 5- Codice di identificazione del pezzo. 6- Identificazione del modello. 7- Il codice di questa casella indica che, dal numero di Telaio/motore indicato, si monta un nuovo pezzo che sostituisce il precedente (sezione 2), che un pezzo non si monta (sezione 3), oppure che il pezzo annullato si monta di nuovo (sezione 4), facendo riferimento al modello indicato (sezione 6). 8- Denominazione del pezzo.

1- Part location number. 2- Substituted part number. 3- Withdrawn part number (no longer fitted). 4- Restored part number (newly fitted going withdrawn). 5- Part reference number. 6- Model identification number. 7- Chassis or engine number from which a new part is fitted substituting a part which has been withdrawn (see para 2) or a part is withdrawn is fitted again (see para 4), in the models indicated (see para 6). 8- Part identification label.

1- Zeichnung - Nummer. 2- Ausführung. 3- Gestrichene Ersatzteilnummer. 4- Ersetzte Ersatzteilnummer. 5- Ersatzteilnummer. 6- Modell - Nummer. 7- Rhamen - order motonummer, für die ein neues teil eingestzt wird, z.b. eine nummer, die geändert (s. para 2), order ein teil, das gestrichen wurde (s. para 3), order ein teil, das vorübergehend verschiedene modelle (s. para 6) 8- Bezeichnung.

1- Code de localisation de la pièce. 2- Code indicateur de pièce remplace par un autre. 3- Code indicateur de pièce annulé (elle n'est plus montée). 4- Code indicateur de pièce restituée (elle se monte à nouveau). 5- Code référence de la pièce. 6- Les codes de cette case indiquant qu'à partir de numero 7- Chassis ou de moteur indiqué, un nouvelle pièce est montée en remplacement d'une autre (section 2), qu'une pièce n'est plus montée (section 3) ou la pièce anulée est montée à nouveau (section 4) et concernant les modèles indiqués (section 6). 8- Denomination de la pièce.


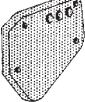
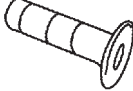

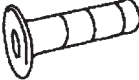

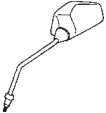










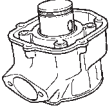



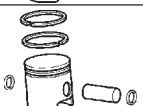

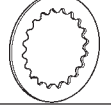
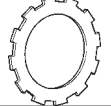

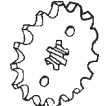

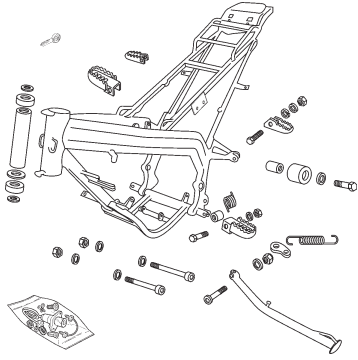
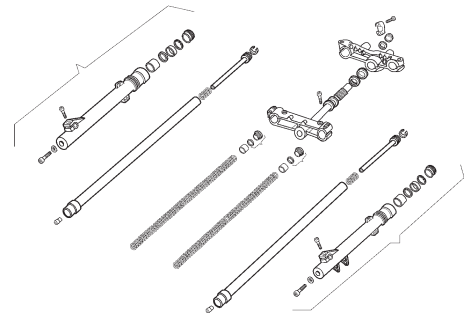
IMAGEN FIGURE	LAMINA DIAGRAM	POSICION POSITION	CODIGO CODE	DESCRIPCION ESPAÑOL / SPANISH DESCRIPTION DESCRIPCION INGLES / ENGLISH DESCRIPTION	CANTIDAD POR MOTO QTY PER BIKE	NOTES NOTES
	01	29A	00F01810411	LLAVE CONTACTO POR MECANIZAR BLANK KEY	1	
	04	26A	00H03209251	ESPUMA FILTRO AIRE AIR FILTER FOAM	1	
	06	04A	00H00930091	EMPUÑADURA LADO GAS GRIP, THROTTLE SIDE	1	
	06	06A	00H00906203	MANETA FRENO DELANTERO FRONT BRAKE LEVER	1	
	06	15A	00H00930071	EMPUÑADURA LADO EMBRAGUE GRIP, CLUTCH SIDE	1	
	06	16A	00H00903291	MANETA EMBRAGUE CLUTCH LEVER	1	
	06	28A	00G04613921	ESPEJO RETROVISOR IZQUIERDO LEFT MIRROR	1	
	06	29A	00H02207671	ESPEJO RETROVISOR DERECHO RIGHT MIRROR	1	
	07	10A	00H01000131	LAMPARA FARO DELANTERO 12V 35W/35W HEADLIGHT BULB	1	
	07	40A	00H01701011	BOMBILLA INTERMITENTES (NARANJA) INDICATOR BULB (ORANGE)	4	
	08	11A	00H01222021	DISCO FRENO DELANTERO FRONT BRAKE DISC	1	
	08	14A	00H04703141	JUEGO PASTILLAS DE FRENO DELANTERO SET OF BRAKE PADS, FRONT	1	
	09	06A	00H01331031	PLATO ARRASTRE Z-53 DRIVE PLATE Z-53	1	
	09	09A	00H01308531	DISCO FRENO TRASERO REAR BRAKE DISC	1	
	09	17A	00H01502201	CADENA SECUNDARIA 130 P TRANSMISSION CHAIN 130 S	1	
	10	16A	00H01120021	PALANCA FRENO TRASERO REAR BRAKE LEVER	1	

IMAGEN FIGURE	LAMINA DIAGRAM	POSICION POSITION	CODIGO CODE	DESCRIPCION ESPAÑOL / SPANISH DESCRIPTION DESCRIPCION INGLES / ENGLISH DESCRIPTION	CANTIDAD POR MOTO QTY PER BIKE	NOTES NOTES
	10	26A	00G04700141	JUEGO PASTILLAS DE FRENO TRASERO SET OF BRAKE PADS, REAR	1	
	15	01A	847508	CTO CILINDRO PISTON CYLINDER PISTON ASSY	1	
	15	02A	8472625001	CTO. PISTON (A) PISTON (A)	1	
	15	02B	8472625002	CTO. PISTON (B) PISTON (B)	1	
	15	02C	8472625003	CTO. PISTON (C) PISTON (C)	1	
	15	02D	8472625004	CTO. PISTON (D) PISTON (D)	1	
	15	03A	847006	ARO PISTON PISTON RING	2	
	16	07A	847043	DISCO CONDUCCIDO DRIVEN CLUTCH PLATE	3	
	16	08A	847044	DISCO CONDUCTOR DRIVE CLUTCH PLATE	4	
	17	02A	00H02703421	PALANCA CAMBIO GEARSHIFT LEVER	1	
	18	22A	00H02813371	PIÑON SALIDA CAMBIO Z-11 OUTPUT PINION Z-11	1	
	22	13A	00G03301401	BATERIA 12V BATTERY 12V	1	

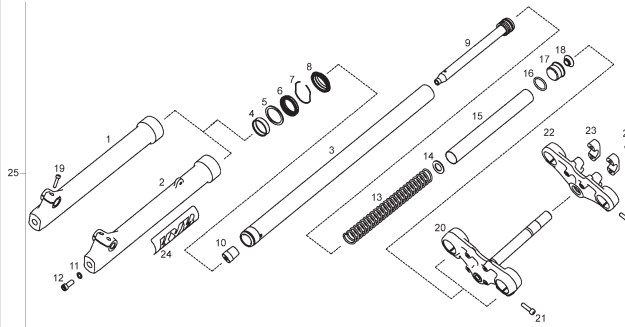
LAMINA / STAMPA / DIAGRAM / BILD / FEUILLE - 1



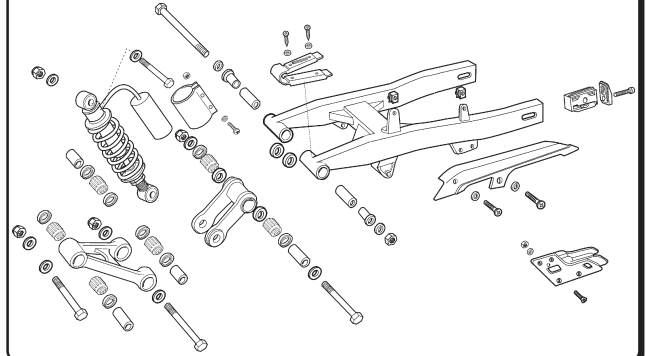
LAMINA / STAMPA / DIAGRAM / BILD / FEUILLE - 2A



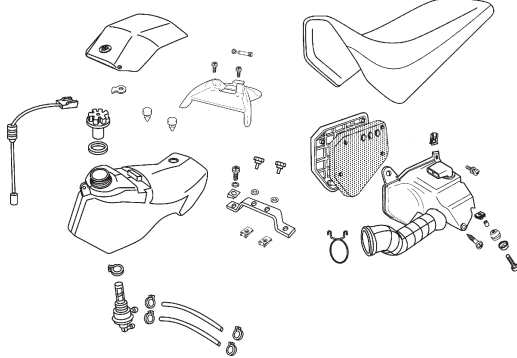
LAMINA / STAMPA / DIAGRAM / BILD / FEUILLE - 2B



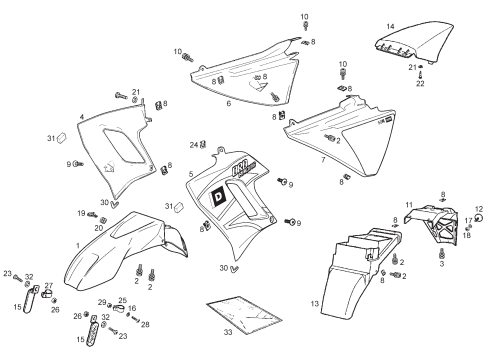
LAMINA / STAMPA / DIAGRAM / BILD / FEUILLE - 3



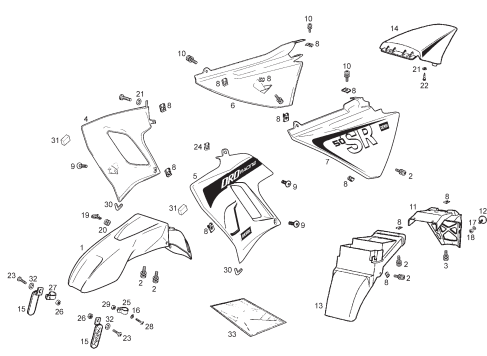
LAMINA / STAMPA / DIAGRAM / BILD / FEUILLE - 4



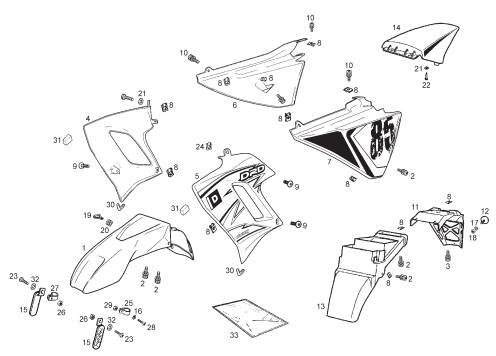
LAMINA / STAMPA / DIAGRAM / BILD / FEUILLE - 5A



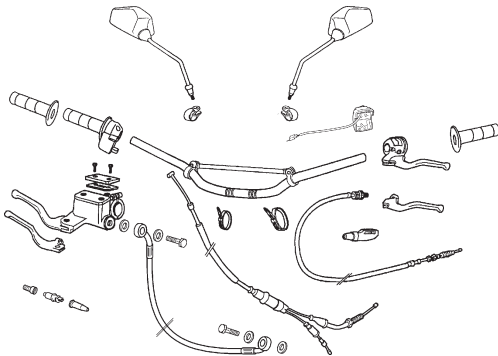
LAMINA / STAMPA / DIAGRAM / BILD / FEUILLE - 5B



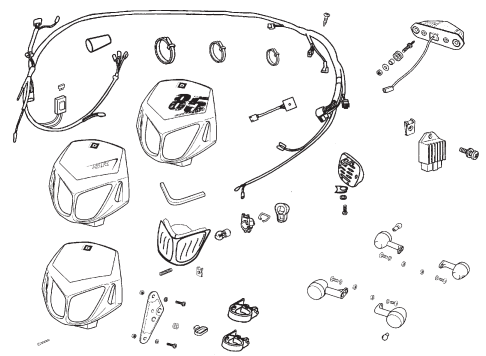
LAMINA / STAMPA / DIAGRAM / BILD / FEUILLE - 5C



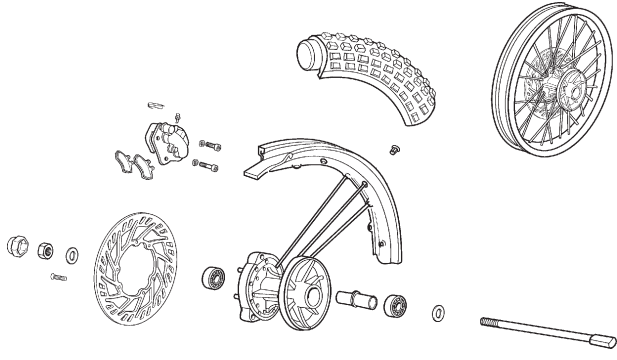
LAMINA / STAMPA / DIAGRAM / BILD / FEUILLE - 6



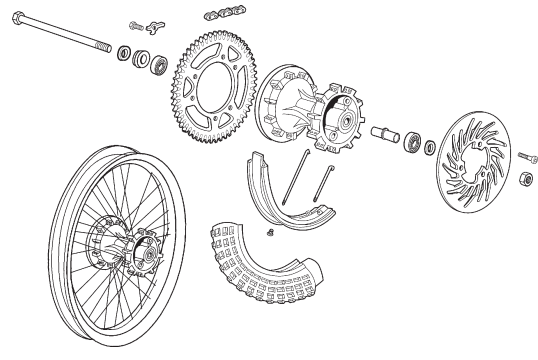
LAMINA / STAMPA / DIAGRAM / BILD / FEUILLE - 7



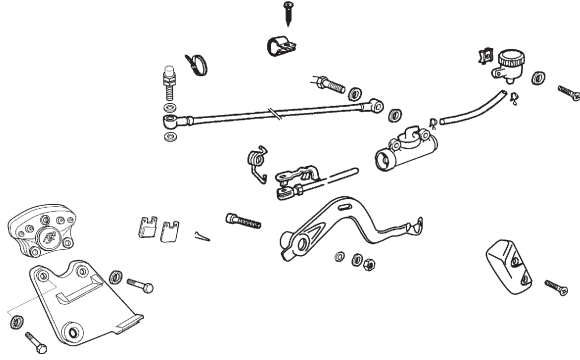
LAMINA / STAMPA / DIAGRAM / BILD / FEUILLE - 8



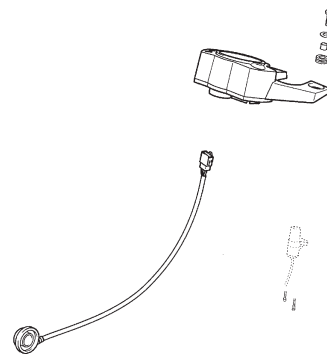
LAMINA / STAMPA / DIAGRAM / BILD / FEUILLE - 9



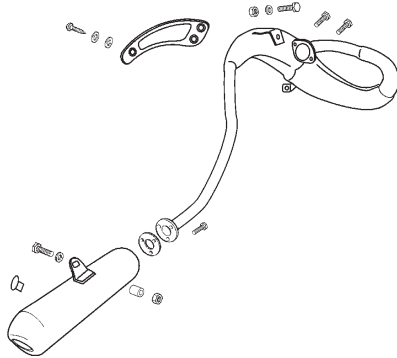
LAMINA / STAMPA / DIAGRAM / BILD / FEUILLE - 10



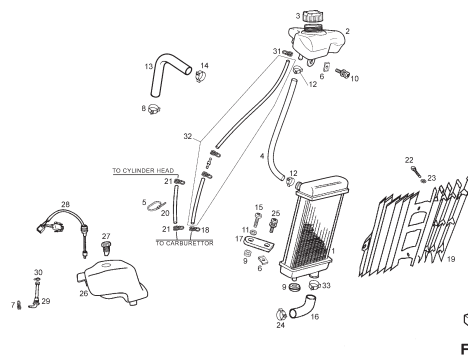
LAMINA / STAMPA / DIAGRAM / BILD / FEUILLE - 11



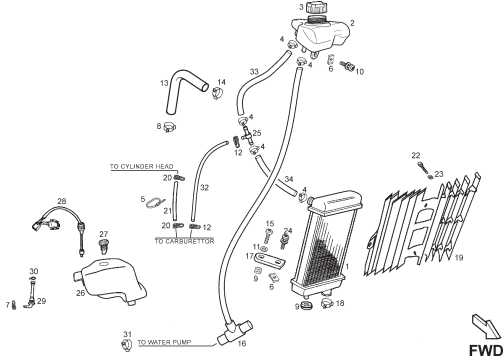
LAMINA / STAMPA / DIAGRAM / BILD / FEUILLE - 12



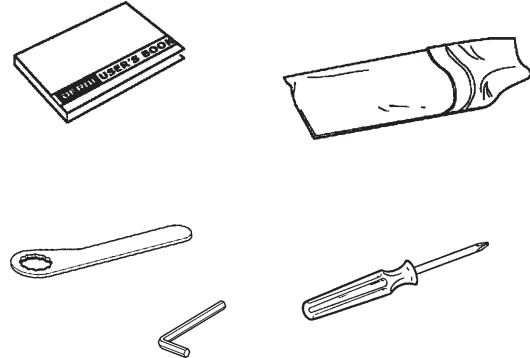
LAMINA / STAMPA / DIAGRAM / BILD / FEUILLE - 13A



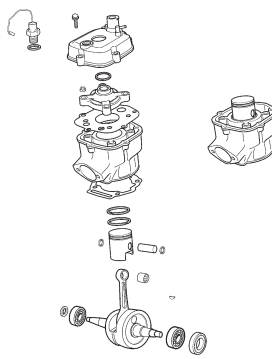
LAMINA / STAMPA / DIAGRAM / BILD / FEUILLE - 13B



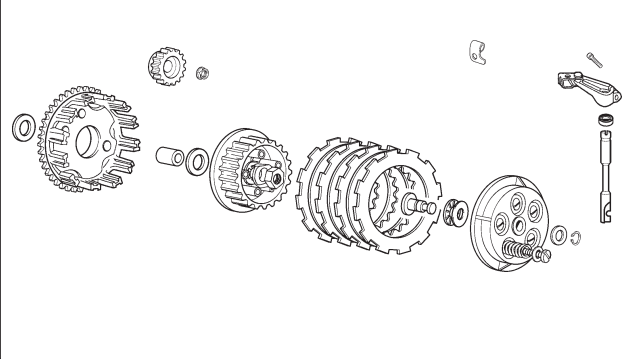
LAMINA / STAMPA / DIAGRAM / BILD / FEUILLE - 14



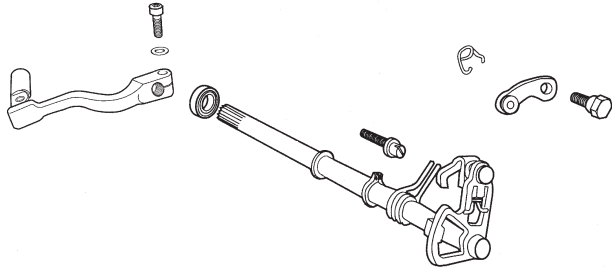
LAMINA / STAMPA / DIAGRAM / BILD / FEUILLE - 15



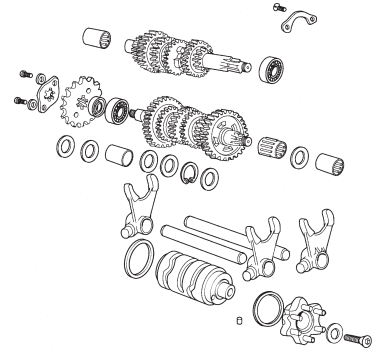
LAMINA / STAMPA / DIAGRAM / BILD / FEUILLE - 16



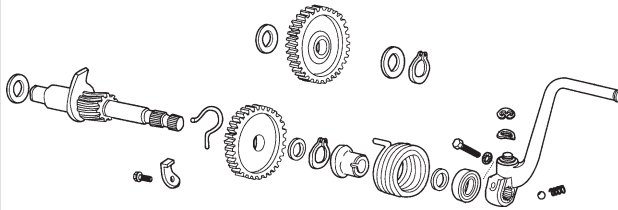
LAMINA / STAMPA / DIAGRAM / BILD / FEUILLE - 17



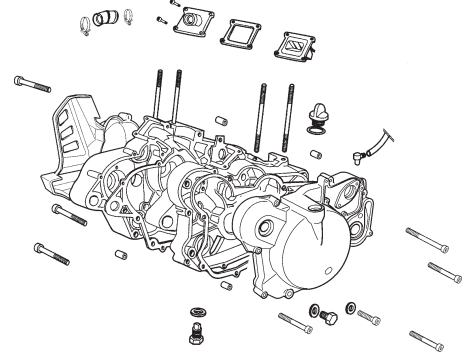
LAMINA / STAMPA / DIAGRAM / BILD / FEUILLE - 18



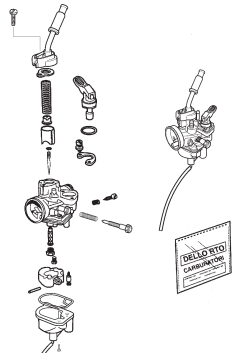
LAMINA / STAMPA / DIAGRAM / BILD / FEUILLE - 19



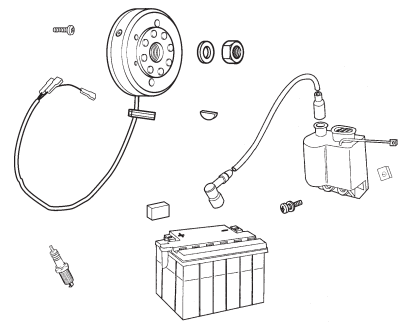
LAMINA / STAMPA / DIAGRAM / BILD / FEUILLE - 20



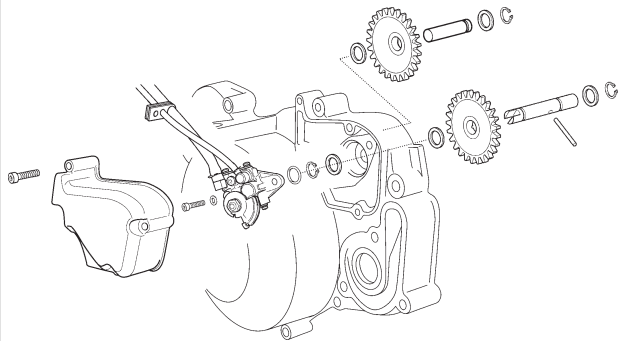
LAMINA / STAMPA / DIAGRAM / BILD / FEUILLE - 21



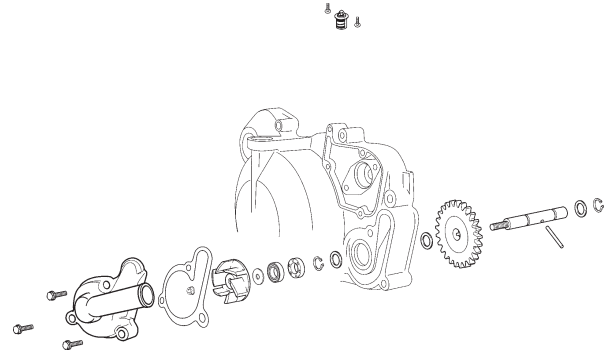
LAMINA / STAMPA / DIAGRAM / BILD / FEUILLE - 22



LAMINA / STAMPA / DIAGRAM / BILD / FEUILLE - 23



LAMINA / STAMPA / DIAGRAM / BILD / FEUILLE - 24



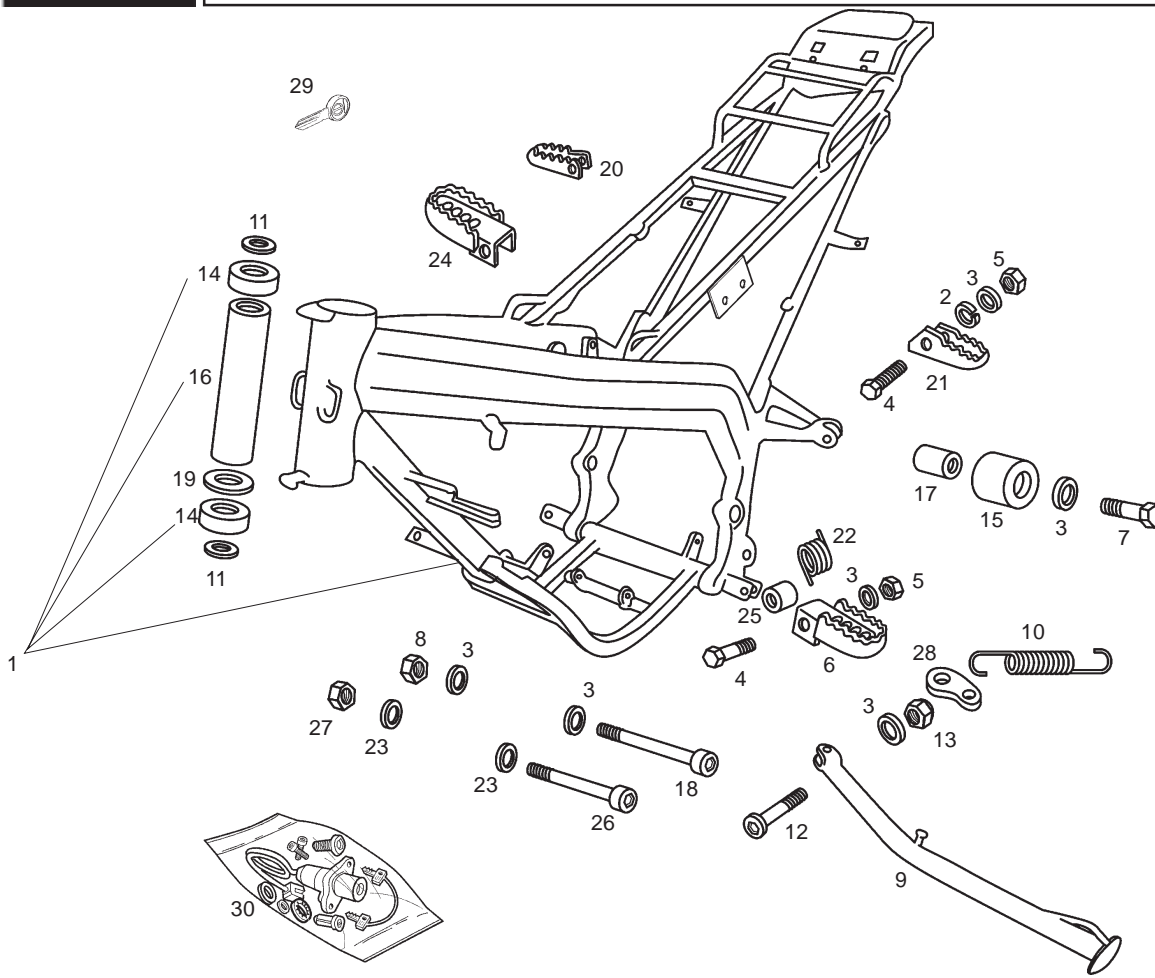


Fig.	Ver.	COD. KOD.	DESCRIPCIÓN DENOMINAZIONE NAME	BEZEICHNUNG DESIGNATION	MOD.	NOTAS NOTES NOTA MITSCHRIFT NOTES
01A		00H01978601	R-CTO CUADRO CON RODAMIENTOS TELAIO FRAME	RAHMEN SOUS ENSEMBLE CADRE	1 2 3 4 5 6	
02A		00036008000	ARANDELA MUELLE D8 RONDELLA WASHER	SCHEIBE RONDELLE	1 2 3 4 5 6	
03A		00402080001	ARANDELA PLANA D8 RONDELLA WASHER	SCHEIBE RONDELLE	1 2 3 4 5 6	
04A		00022084021	TORNILLO C/EXAG. 8M125X40 VITE SCREW	SCHRAUBE VIS	1 2 3 4 5 6	
05A		00023108000	TUERCA AUTOBLOC. 8M125. DADO NUT	MUTTER ECROU	1 2 3 4 5 6	
06A		00H02201312	ESTRIBERA IZQUIERDA PILOTO PEDANA SINISTRA FOOTREST	FUSSRASTER LINKS REPOSE PIED GAUCHE	1 2 3 4 5 6	
07A		00022084521	TORNILLO C/EXAG. 8M125X45 VITE SCREW	SCHRAUBE VIS	1 2 3 4 5 6	
08A		00262080022	TUERCA AUTOBLOCANTE 8M125 DADO NUT	MUTTER ECROU	1 2 3 4 5 6	
09A		00H00819011	PATA CABALLETE ZAMPA CAVALETTO SIDE STAN SUB-ASSY	SEITENSTANDER BEQUILLE LATERALE	1 2 3 4 5 6	
10A		00H00804081	MUELLE PATA CABALLETE MOLLA SPRING	FEDER RESSORT	1 2 3 4 5 6	
11A		00008902630	ARANDELA RONDELLA WASHER	SCHEIBE RONDELLE	1 2 3 4 5 6	

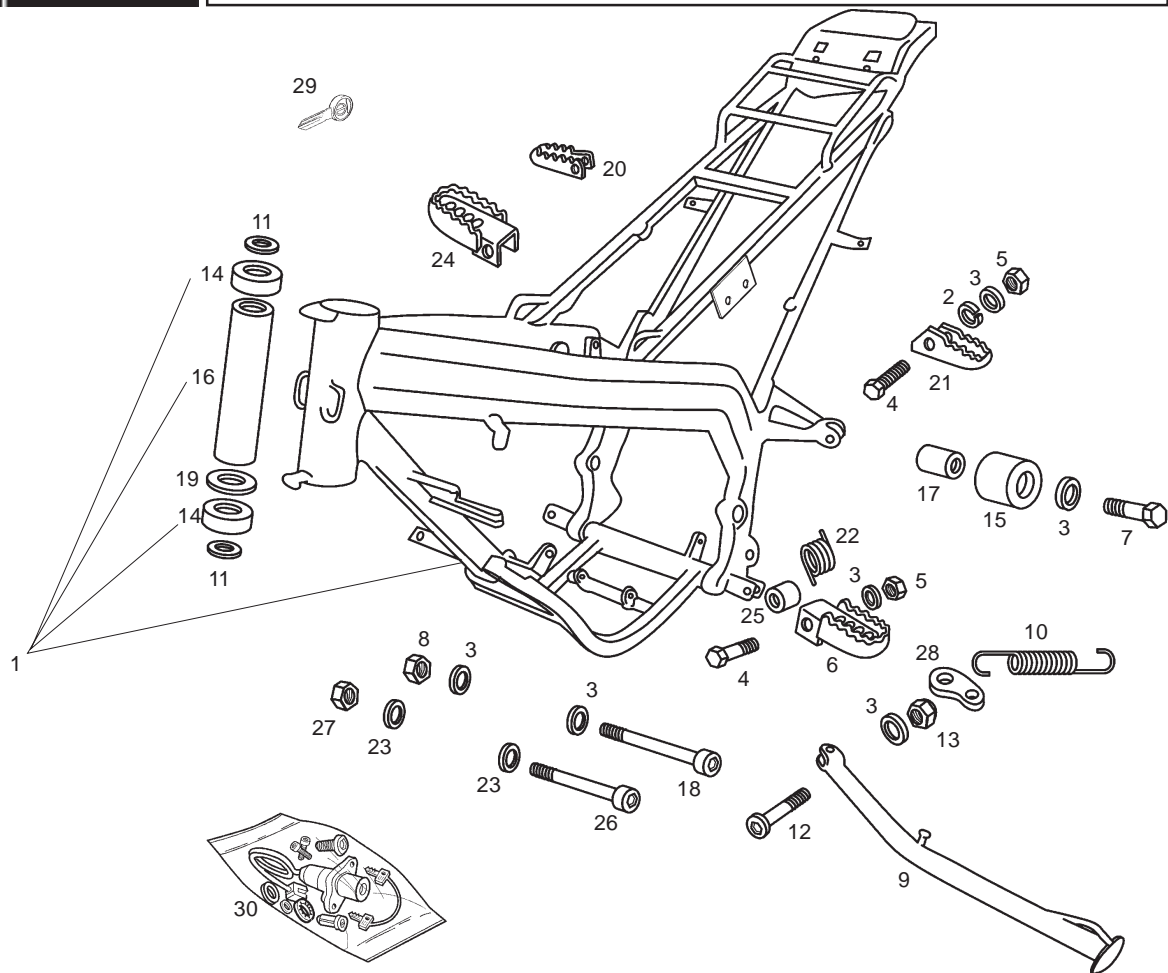


Fig.	Ver.	COD. KOD.	DESCRIPCIÓN DENOMINAZIONE NAME	BEZEICHUNG DESIGNATION	MOD.	NOTAS NOTES NOTA MITSCHRIFT NOTES
12A		00H00805072	TORNILLO FIJ. PATA CABALLETE VITE SCREW	SCHRAUBE VIS	1 2 3 4 5 6	
13A		00023108000	TUERCA EXAGONAL 8M125 DADO NUT	MUTTER ECROU	1 2 3 4 5 6	
14A		00000056205	COJINETE CUSCINETTO BEARING	LAGER COUSSINET	1 2 3 4 5 6	
15A		00H01801771	RODILLO TENSOR CADENA RULLO TENSORE CATENA CHAIN SUPPORTY GUIDE	ROLLE ROULETTE GUIDE CHAINE	1 2 3 4 5 6	
16A		00H06303401	TUBO SEPARADOR COJINETES TUBO TUBE	ROHR TUYAU	1 2 3 4 5 6	
17A		00002518790	CASQUILLO BRONZINA BUSHING	BUCHSE ENTRETOISE	1 2 3 4 5 6	
18A		00H02500272	TORNILLO FIJ. INF. ALL.8M125X90 VITE SCREW	SCHRAUBE VIS	1 2 3 4 5 6	
19A		00H06500451	ARANDELA COJIN. TUBO DIREC. RONDELLA WASHER	SCHEIBE RONDELLE	1 2 3 4 5 6	
20A		00D01520096	ESTRIBERA DERECHA PASAJERO PEDANA DESTRA RIGHT FOOT REST	FUSSRASTER RECHTS REPOSE-PIED DROIT	1 2 3 4 5 6	
21A		00D01540456	ESTRIBERA IZQUIERDA PASAJERO PEDANA SINISTRA LEFT FOOT REST	FUSSRASTER LINKS REPOSE-PIED GAUCHE	1 2 3 4 5 6	
22A		00H04903292	MUELLE FIJACION ESTRIBERA MOLLA SPRING	FEDER RESSORT	1 2 3 4 5 6	

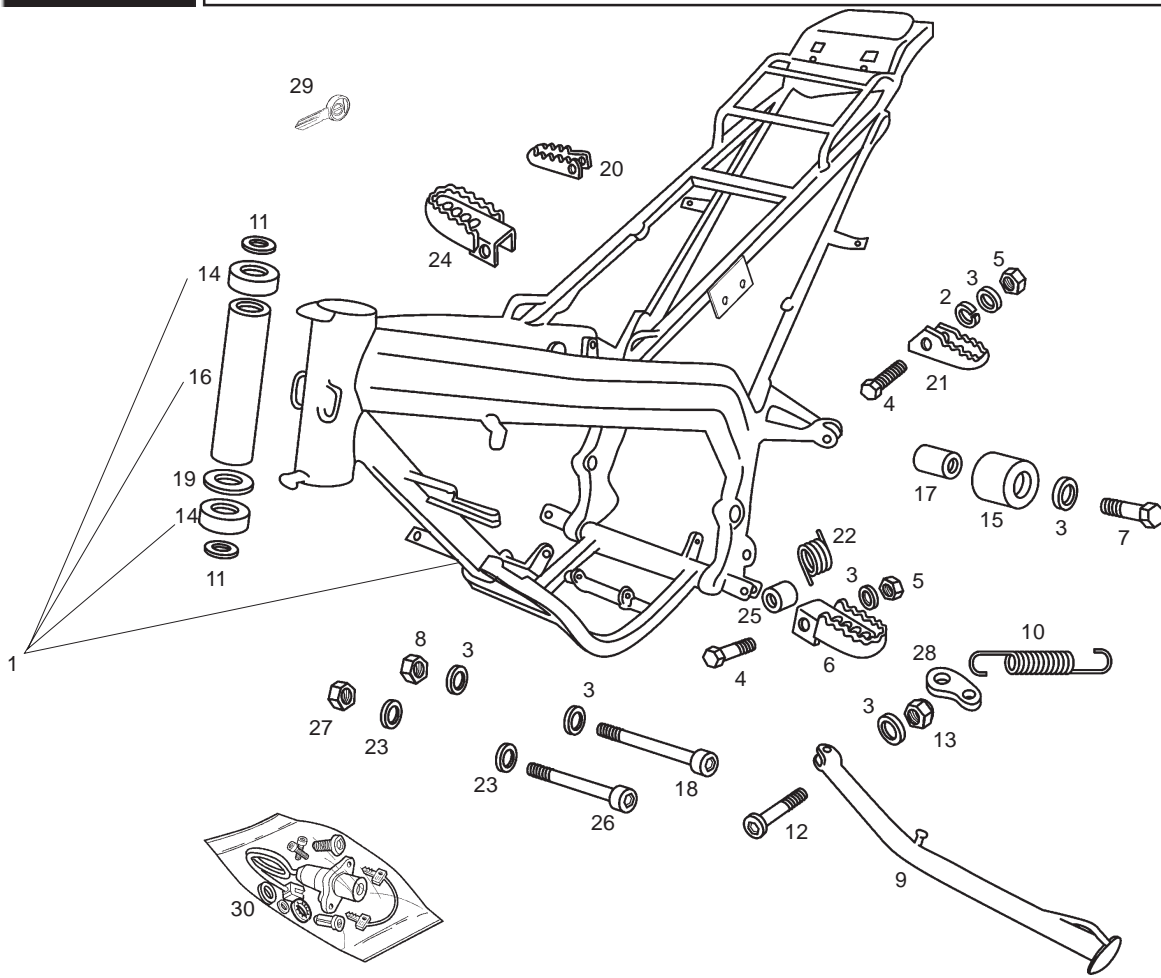
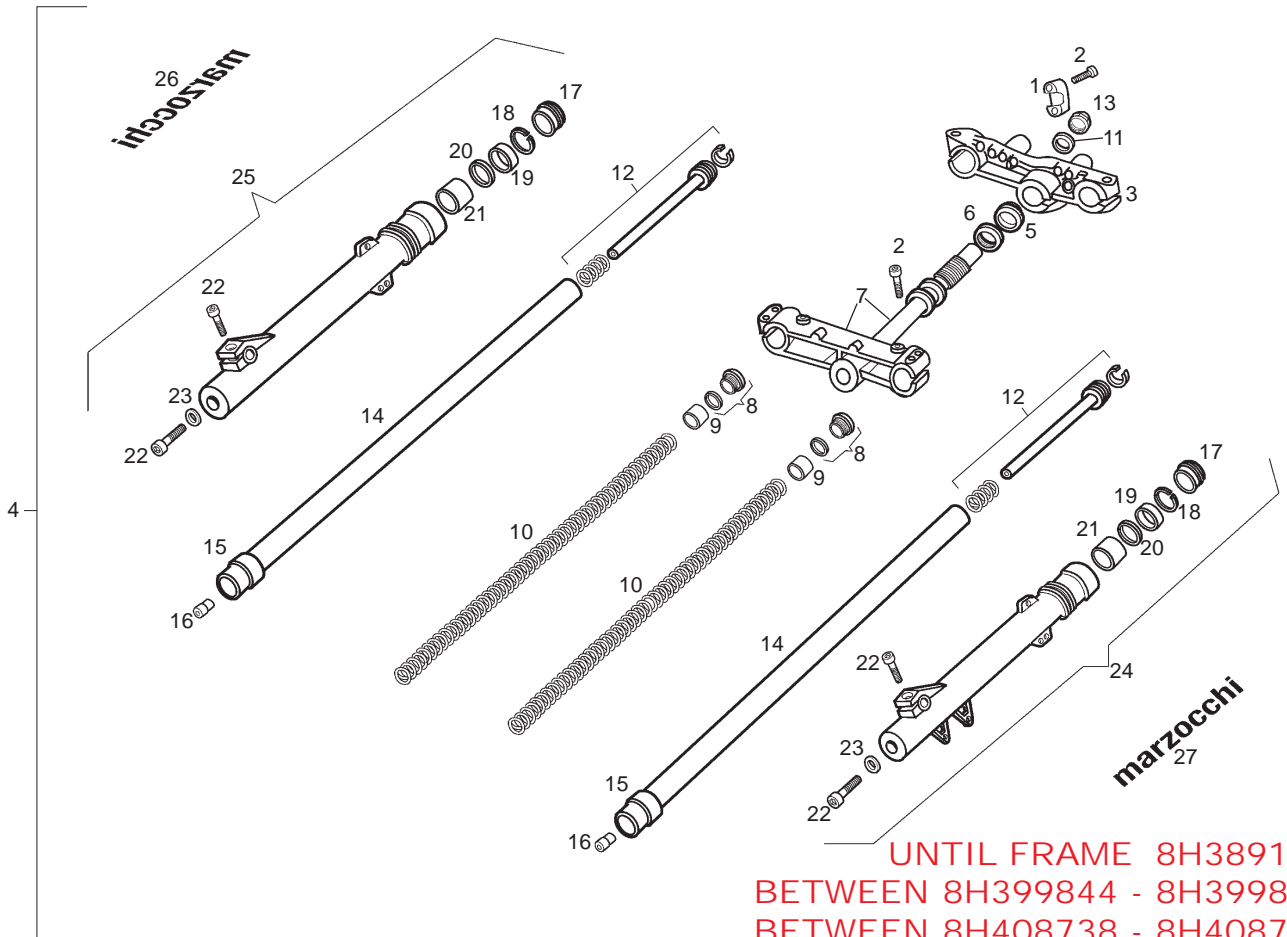


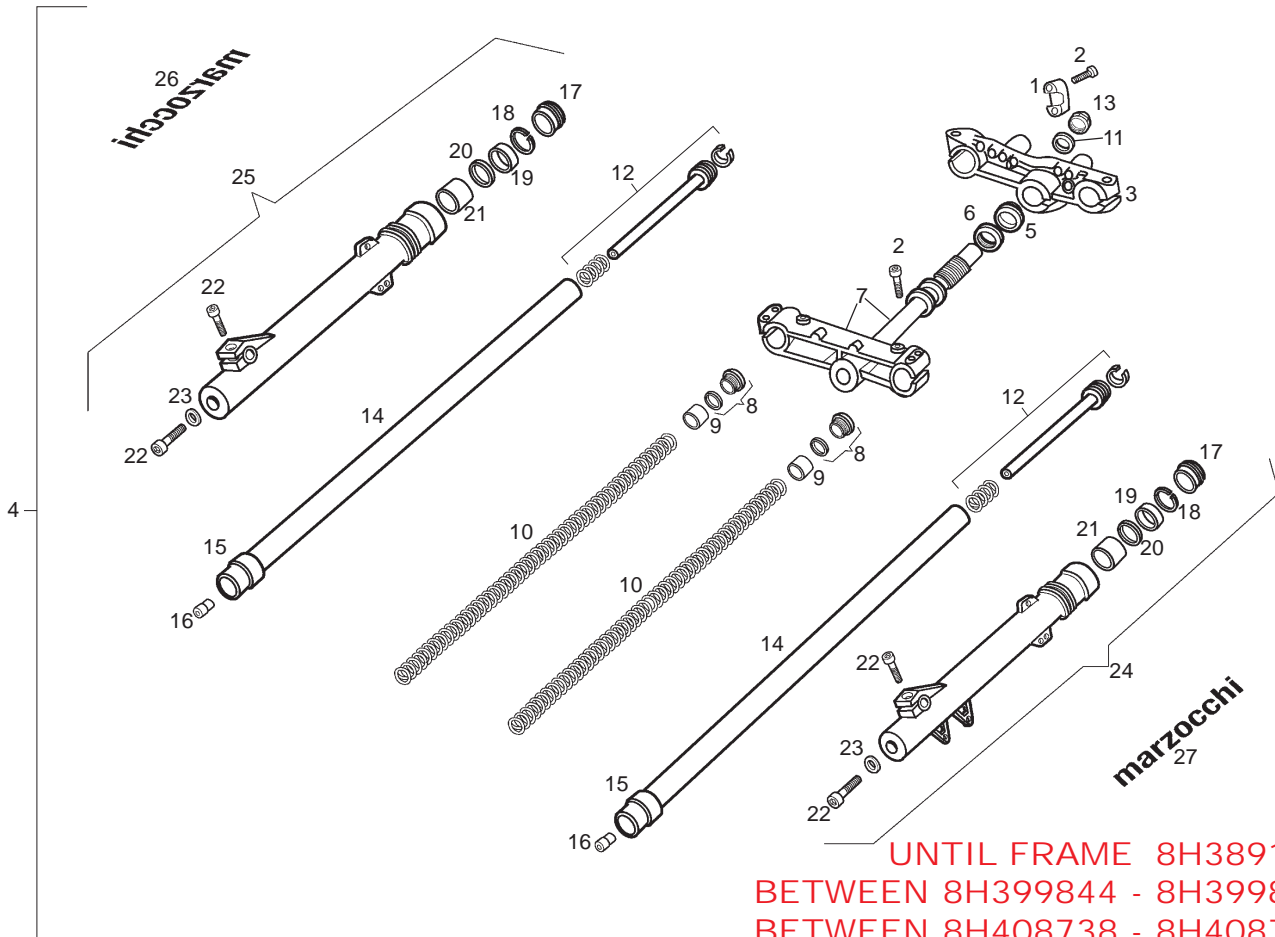
Fig.	Ver.	COD. KOD.	DESCRIPCIÓN DENOMINAZIONE NAME	BEZEICHNUNG DESIGNATION	MOD.	NOTAS NOTES NOTA MITSCHRIFT NOTES
23A		00402100001	ARANDELA PLANA D10 RONDELLA WASHER	SCHEIBE RONDELLE	1 2 3 4 5 6	
24A		00H02201302	ESTRIBERA PILOTO DERECHA PEDANA DESTRA FOOTREST	FUSSRASTER RECHTS REPOSE PIED DROIT	1 2 3 4 5 6	
25A		00002215152	CASQUILLO BRONZINA BUSHING	BUCHSE ENTRETOISE	1 2 3 4 5 6	
26A		00H03000272	TORNILLO FIJ. DT. MT. ALL.10M150X100 VITE SCREW	SCHRAUBE VIS	1 2 3 4 5 6	
27A		00262100032	TUERCA AUTOBLOCANTE 10M150 DADO NUT	MUTTER ECROU	1 2 3 4 5 6	
28A		00H00800422	PLACA RETORNO CABALLETE PIASTRINA RITORNO CAVALLETTO G SPRING KIK-STAND SUPPORT	PLATTE F. GESTELLRUCKFUHRU SUPPORT RESSORT DE BEQUILLE	1 2 3 4 5 6	
29A		00F01810411	R-LLAVE CERRADURAS P/MEC. CHIAVE KEY	SCHLUSSEL CLEF	1 2 3 4 5 6	
30A		00H05908251	CTO. KIT CERRADURAS SIN LEVAS SERRATURE SENZA LEVA LOCK WITH KEYS WITHOUT LEVER	SCHLOOS-SATZ OHNE VERSCHLUSSHEBEL ENS. KIT SERRURES SANS LEVIER	1 2 3 4 5 6	

MARZOCCHI



**UNTIL FRAME 8H389136
BETWEEN 8H399844 - 8H399857
BETWEEN 8H408738 - 8H408754**

Fig.	Ver.	COD. KOD.	DESCRIPCIÓN DENOMINAZIONE NAME	BEZEICHNUNG DESIGNATION	MOD.	NOTAS NOTES NOTA MITSCHRIFT NOTES
01A		00H00201741	PUENTE.FIJ.MANILLAR FLANGIA FISSAGGIO MANUBRIO R.8 HANDLEBAR LOCK CLAMP	BUGEL ETRIER FIX GUIDON	1 2 3 4 5 6	TO SEE PICTURE
02A		00000004835	TORNILLO C/ALLEN 8M125X35 VITE SCREW	SCHRAUBE VIS	1 2 3 4 5 6	TO SEE PICTURE
03A		00H00208091	PLATINA SUPERIOR HORQUILLA FLANGIA SUPERIORE FORCELLA G R-UPPER FORK PLATE	E-TEIL OBERE GABELPLATTE R-PLATINE SUPvRIEURE FOURCHE G	1 2 3 4 5 6	TO SEE PICTURE
04A		00H00220001	CTO. HORQUILLA DIRECTRIZ FORCELLA DIRETT. FORK ASSY	LENKGABEL ENSEMBLE FOURCHE DIRITICE	1 2 3 4 5 6	TO SEE PICTURE
05A		00D00200761	GUARDAPOLVO DIRECCION PARAPOLVERE STERZO DUST COVER, STEM	ABDECKUNG CACHE POUSSIERE DIRECTION	1 2 3 4 5 6	TO SEE PICTURE
06A		00G00200112	TUERCA FIJACION TIJA DADO NUT	MUTTER ECROU	1 2 3 4 5 6	TO SEE PICTURE
07A		00H00209011	TIJA-PLATINA FUSTO PIASTRA LOWER TRIPLE CLAMP, W/PIN ASSY	SATTELSTANGE PLATINE INF. AVEC PIVOT	1 2 3 4 5 6	TO SEE PICTURE
08A		00H00204271	CTO.TAPON PIERNA TAPPO CAP	PFROPFEN F. GABELSCHENKEL BOUCHON	1 2 3 4 5 6	TO SEE PICTURE
09A		00H00202151	CASQUILLO GUIA PIERNA GHIERA BUSHING	FUHRUNGSBUCHSE GABELSCHENK ENTRETOISE	1 2 3 4 5 6	TO SEE PICTURE
10A		00H00206171	MUELLE HORQUILLA MOLLA FORCELLA FORK SPRING	GABELFEDER RESSORT DE FOURCHE	1 2 3 4 5 6	TO SEE PICTURE
11A		00H00202101	ARANDELA FIJ.TIJA RONDELLA WASHER	SCHEIBE RONDELLE	1 2 3 4 5 6	TO SEE PICTURE



**UNTIL FRAME 8H389136
BETWEEN 8H399844 - 8H399857
BETWEEN 8H408738 - 8H408754**

MARZOCCHI

Fig.	Ver.	COD. KOD.	DESCRIPCIÓN DENOMINAZIONE NAME	BEZEICHNUNG DESIGNATION	MOD.	NOTAS NOTES NOTA MITSCHRIFT NOTES
12A		00H00201531	CTO. TUBO HIDRAULICO TUBO VALVOLA DAMPER TUBE ASSY.	HYDRAULIKROHR ENSEMBLE TUBE HYDRAULIQUE	1 2 3 4 5 6	TO SEE PICTURE
13A		00H00201111	TUERCA FIJACION TIJA DADO NUT	MUTTER ECROU	1 2 3 4 5 6	TO SEE PICTURE
14A		00H00204191	TUBO PRINCIPAL TUBO TUBE	ROHR TUYAU	1 2 3 4 5 6	TO SEE PICTURE
15A		00H00203261	CASQUILLO INT. INFERIOR PIERNA GHIERA BUSHING	BUCHSE GABELSCHENKEL ENTRETOISE	1 2 3 4 5 6	TO SEE PICTURE
16A		00H00202201	SUPMT.GUARDAPOLVO SUPPLEMENTO PARAPOLVERE SUPPLEMENT DUSTGUARD	ZUBEOR STAUBFANGER SUPPLEMENT POUSSIÈRE FOURCHE	1 2 3 4 5 6	TO SEE PICTURE
17A		00H00202231	GUARDAPOLVO HORQUILLA PARAPOLVERE DUST PROTECTOR	RSTAUBFANGER F. GABEL CACHE POUSSIÈRE	1 2 3 4 5 6	TO SEE PICTURE
18A		00H00200701	ANILLO RETENCION ACEITE ANELLO DI FERMO STOP RING	RING JOINT	1 2 3 4 5 6	TO SEE PICTURE
19A		00H00203471	CASQUILLO RETEN ACEITE GIUNTO TENUTA SEAL, FORK TUBE.	DICHTRING JOINT SPI FOURCHE	1 2 3 4 5 6	TO SEE PICTURE
20A		00H00201441	ARANDELA CASQUILLO GUIA ANELLO TORICO O RING	RING PFROPFENSCHRAUBE JOINT	1 2 3 4 5 6	TO SEE PICTURE
21A		00H00201581	CASQUILLO GUIA MUELLE GUIDA MOLLA FORCELLA SPRING FORK GUIDE	FUHRUNG F. GABELFEDER GUIDE RESSORT FOURCHE	1 2 3 4 5 6	TO SEE PICTURE
22A		0000004625	TORNILLO C/ALLEN 6M100X25 VITE SCREW	SCHRAUBE VIS	1 2 3 4 5 6	TO SEE PICTURE

MARZOCCHI

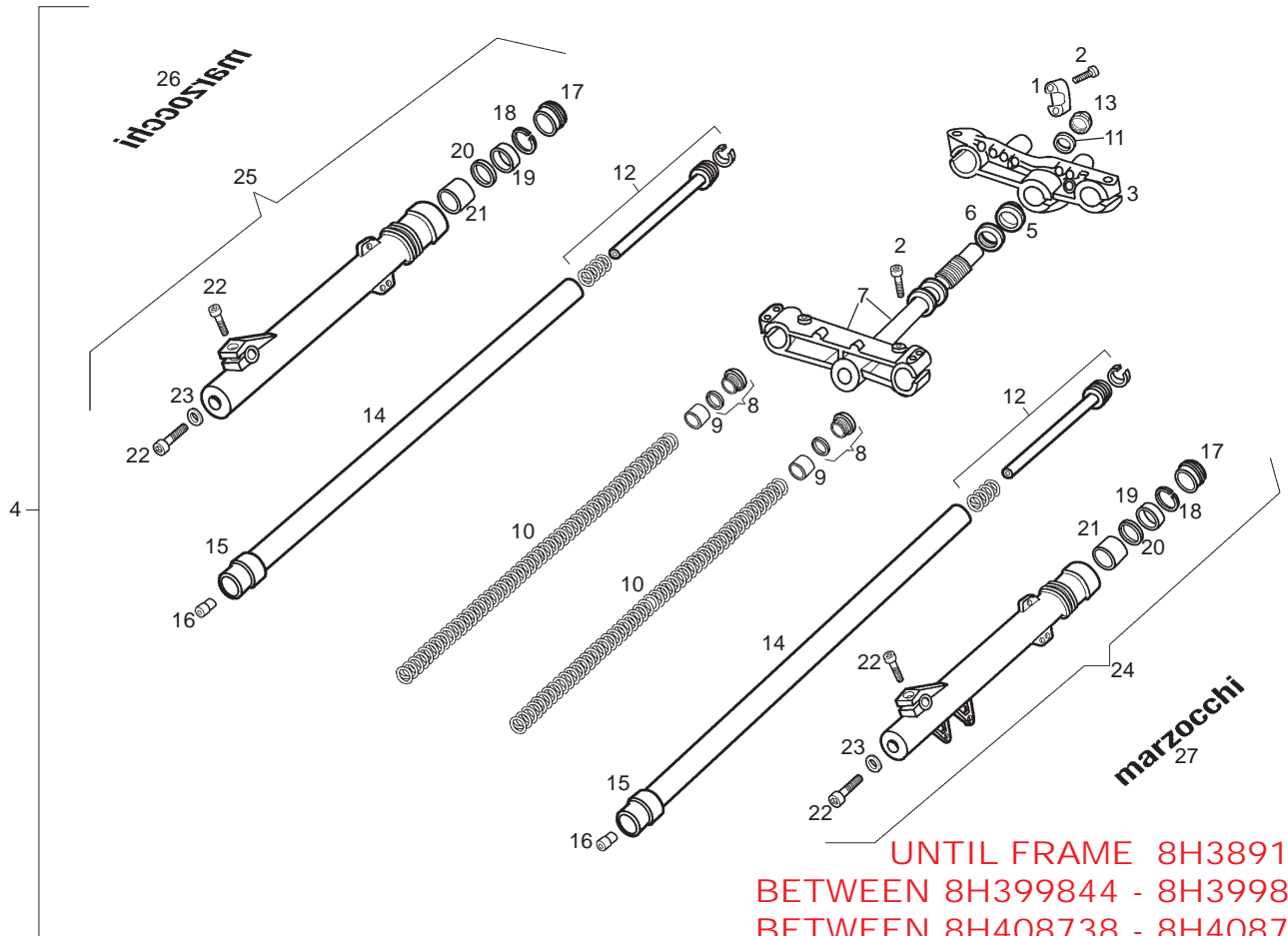
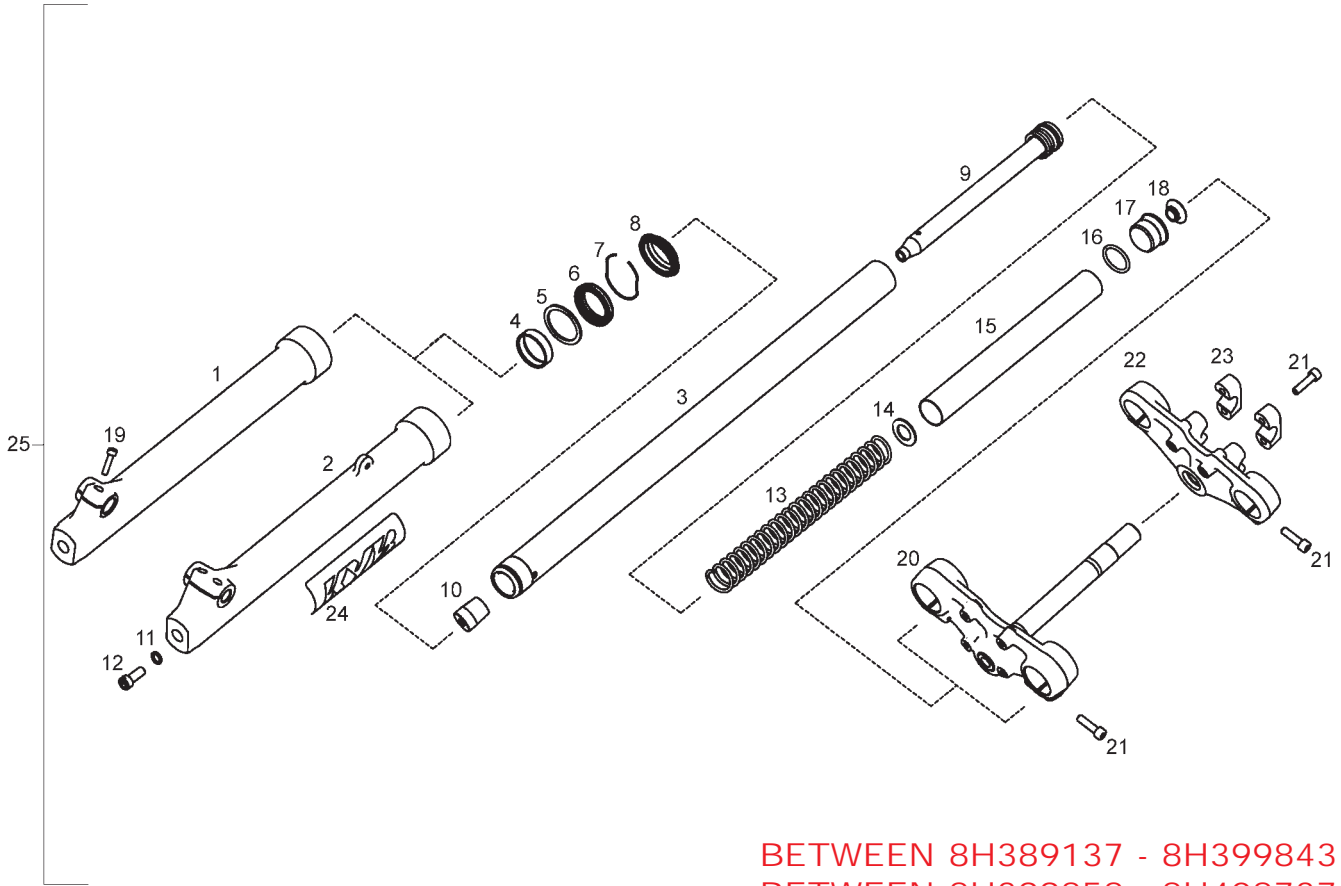


Fig.	Ver.	COD. KOD.	DESCRIPCIÓN DENOMINAZIONE NAME	BEZEICHNUNG DESIGNATION	MOD.	NOTAS NOTES NOTA MITSCHRIFT NOTES
23A		00000031060	ARANDELA PLANA D6 RONDELLA WASHER	SCHEIBE RONDELLE	1 2 3 4 5 6	TO SEE PICTURE
24A		00H02008031	CTO TUBO PIERNA IZQUIERDA ASTA SINISTRA FORK TUBE LOWER LEFT	GABELBEIN LINKS BRANCHE GAUCHE	1 2 3 4 5 6	TO SEE PICTURE
25A		00H02008041	CTO TUBO PIERNA DERECHA ASTA DESTRA FORKTUBE LOWER RIGHT	GABELBEIN RECHTS BRANCHE DROITE	1 2 3 4 5 6	TO SEE PICTURE
26A		00H02002051	CALCA MARZOCCHI DERECHA ADESIVO STICKER	SCHRIFTZUG ADHESIF	1 2 3 4 5 6	TO SEE PICTURE
26A		00H02000551	CALCA MARZOCCHI IZQUIERDA ADESIVO STICKER	SCHRIFTZUG ADHESIF	1 2 3 4 5 6	TO SEE PICTURE

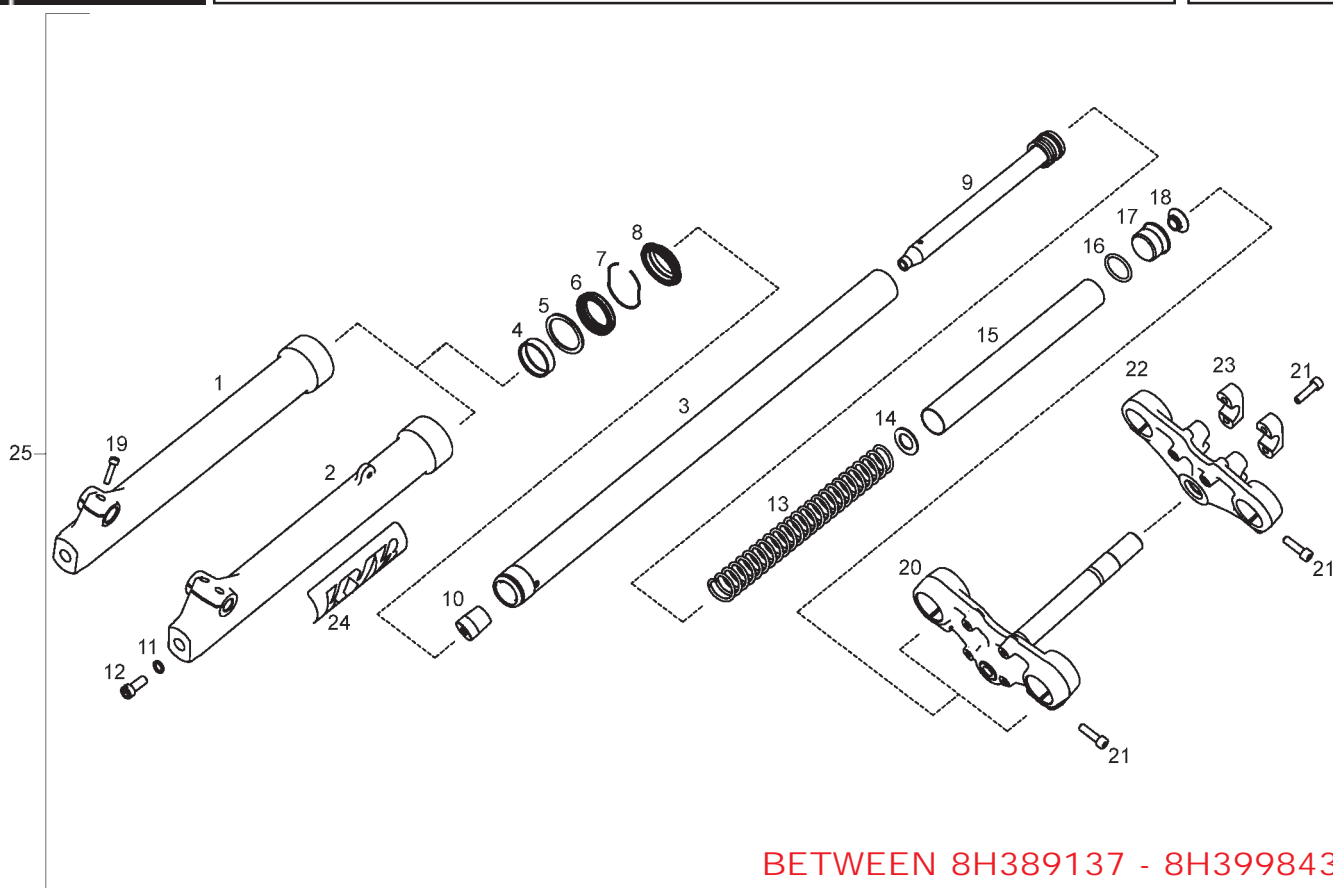


**BETWEEN 8H389137 - 8H399843
BETWEEN 8H399858 - 8H408737
SINCE FRAME 8H408755**

KYB

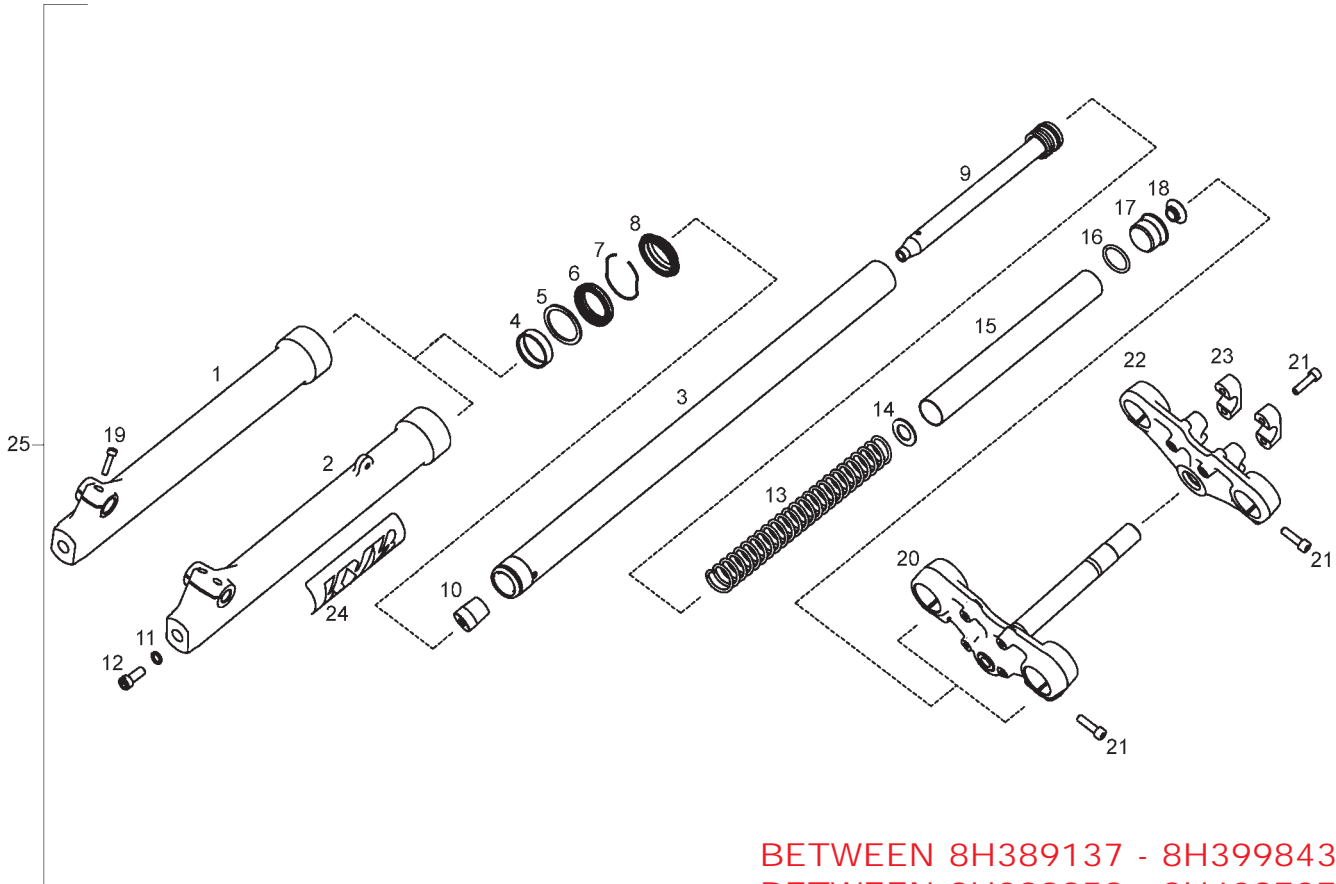
Fig.	Ver.	COD. KOD.	DESCRIPCIÓN DENOMINAZIONE NAME	BEZEICHNUNG DESIGNATION	MOD.	NOTAS NOTES NOTA MITSCHRIFT NOTES
01A		864884	PIERNA DERECHA ASTA DESTRA OUTER TUBE, R	GABELBEIN RECHTS BRANCHE DROITE	56	TO SEE PICTURE
02A		864883	PIERNA IZQUIERDA ASTA SINISTRA OUTER TUBE, L	GABELBEIN LINKS BRANCHE GAUCHE	56	TO SEE PICTURE
03A		864882	TUBO PRINCIPAL TUBO INNER TUBE COMP	ROHR TUYAU	56	TO SEE PICTURE
04A		864885	CASQUILLO GUIA GHIERA BUSH, GUIDE	BUCHSE GABELSCHENKEL ENTRETOISE	56	TO SEE PICTURE
05A		864886	ARANDELA RONDELLA WASHER	SCHEIBE RONDELLE	56	TO SEE PICTURE
06A		864887	RETEN DE ACEITE ANELLO TENUTA OIL SEAL	DICHTRING JOINT SPIE	56	TO SEE PICTURE
07A		864888	CIRCLIP ANELLO DI FERMO SNAP RING	RING JOINT	56	TO SEE PICTURE
08A		864889	GUARDAPOLVO PARAPOLVERE DUST SEAL	RSTAUBFANGER F. GABEL CACHE POUSSIÈRE	56	TO SEE PICTURE
09A		864890	CTO PISTON HIDRAULICO TUBO VALVOLA CYLINDER COMP	HYDRAULIKROHR TUBE HYDRAULIQUE	56	TO SEE PICTURE
10A		864891	TAMPON PUNTERA TAMPONE BUFFER	PUFFER SILENTBLOC	56	TO SEE PICTURE
11A		864892	ARANDELA SELLADO RONDELLA WASHER	SCHEIBE RONDELLE	56	TO SEE PICTURE

KYB



**BETWEEN 8H389137 - 8H399843
BETWEEN 8H399858 - 8H408737
SINCE FRAME 8H408755**

Fig.	Ver.	COD. KOD.	DESCRIPCIÓN DENOMINAZIONE NAME	BEZEICHNUNG DESIGNATION	MOD.	NOTAS NOTES NOTA MITSCHRIFT NOTES
12A		864893	TORNILLO VITE SCREW	SCHRAUBE VIS	56	TO SEE PICTURE
13A		864894	MUELLE PRINCIPAL MOLLA SPRING	FEDER RESORT	56	TO SEE PICTURE
14A		864895	ARANDELA RONDELLA WASHER	SCHEIBE RONDELLE	56	TO SEE PICTURE
15A		864896	TUBO SEPARADOR TUBO SPACER	ROHR TUYAU	56	TO SEE PICTURE
16A		864897	ANILLO TÓRICO ANELLO TENUTA OIL SEAL	DICHTRING BAGUE D'ÉTANCHÉITE	56	TO SEE PICTURE
17A		864898	TAPON PIERNA HORQUILLA TAMPONE BUFFER	PUFFER SILENTBLOC	56	TO SEE PICTURE
18A		864899	TAPON ADORNO TAMPONE BUFFER	PUFFER SILENTBLOC	56	TO SEE PICTURE
19A		864900	TORNILLO VITE SCREW	SCHRAUBE VIS	56	TO SEE PICTURE
20A		864880	TIJA PLATINA FUSTO PIASTRA UNDER BRACKET COMP	SATTELSTANGE PLATINE INF. AVEC PIVOT	56	TO SEE PICTURE
21A		864881	TORNILLO TIJA PLATINA VITE SCREW	SCHRAUBE VIS	56	TO SEE PICTURE
22A		864901	PLATINA SUPERIOR FLANGIA SUPERIORE FORCELLA G UPPER BRACKET	TEIL OBERE GABELPLATTE PLATINE SUPERIEURE FOURCHE G	56	TO SEE PICTURE



KYB

**BETWEEN 8H389137 - 8H399843
BETWEEN 8H399858 - 8H408737
SINCE FRAME 8H408755**

Fig.	Ver.	COD. KOD.	DESCRIPCIÓN DENOMINAZIONE NAME	BEZEICHNUNG DESIGNATION	MOD.	NOTAS NOTES NOTA MITSCHRIFT NOTES
23A		864902	PUENTE FIJACION MANILLAR FLANGIA FISSAGGIO MANUBRIO R.8 HANDLEBAR HOLDER	BUGEL ETRIER FIX GUIDON	56	TO SEE PICTURE
24A		864903	CALCA KYB ADESIVO STICKER	SCHRIFTZUG ADHESIF	56	TO SEE PICTURE
25A		864452	CTO. HORQUILLA DIRECTRIZ FORCELLA DIRETT. FORK ASSY	LENGGABEL ENSEMBLE FOURCHE DIRITICE	56	TO SEE PICTURE

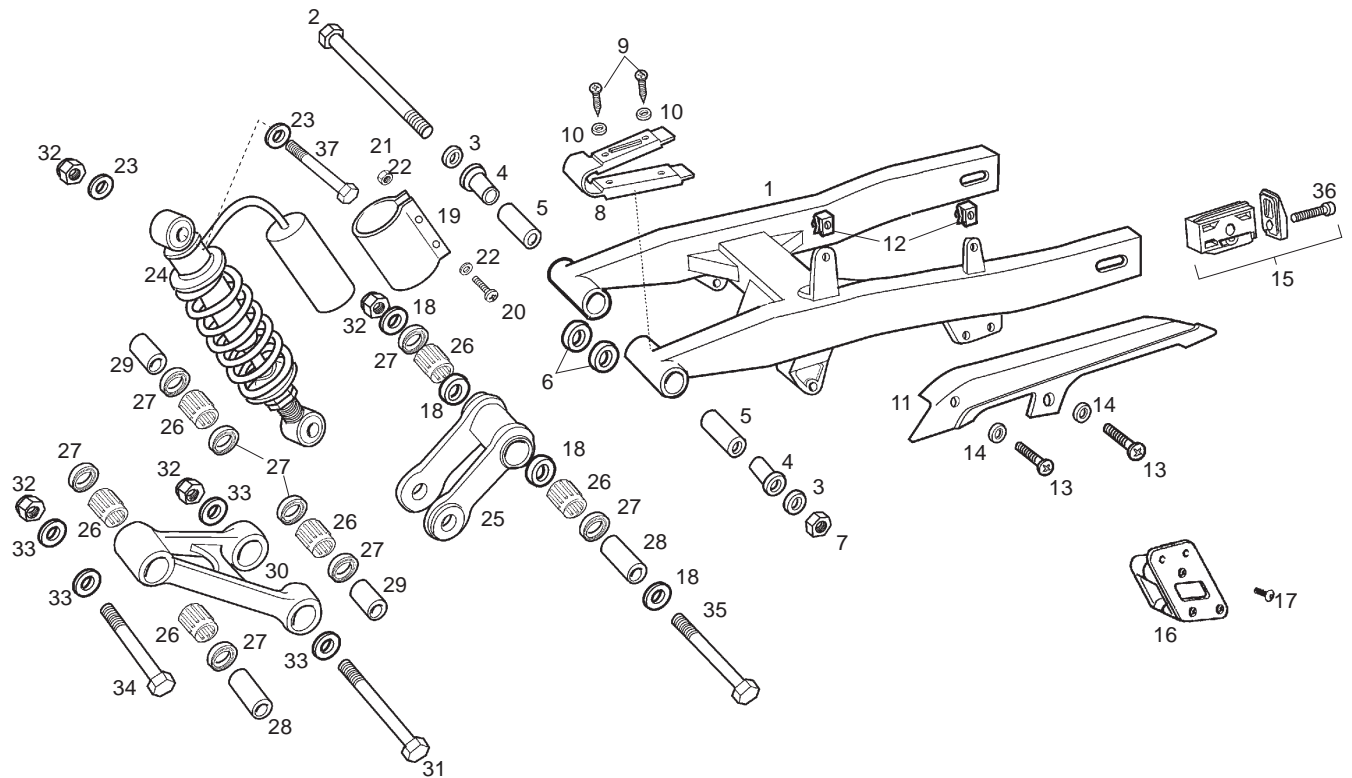


Fig.	Ver.	COD. KOD.	DESCRIPCIÓN DENOMINAZIONE NAME	BEZEICHUNG DESIGNATION	MOD.	NOTAS NOTES NOTA MITSCHRIFT NOTES
01A		00H00325971	R-SCTO BASCULANTE C/CASQUILLO RIBALTABILE SWING ARM SUB-ASSY	SCHWINGENACHSE BRAS OSCILLANT	1 2 3 4 5 6	
02A		00H01304202	SCTO.EJE BASCULANTE ASSE RIBALTABILE SWING ARM SUB-ASSEMBLY	HINTERRADACHSE AXE DE BRAS OSCILLANT	1 2 3 4 5 6	
03A		00003112322	ARANDELA EJE RUEDA RONDELLA WASHER	SCHEIBE RONDELLE	1 2 3 4 5 6	
04A		00002503230	CASQUILLO BRONZINA BUSHING	BUCHSE ENTRETOISE	1 2 3 4 5 6	
05A		00H00301401	CASQUILLO BRONZINA BUSHING	BUCHSE ENTRETOISE	1 2 3 4 5 6	
06A		00D01300192	ARANDELA EJE RONDELLA WASHER	SCHEIBE RONDELLE	1 2 3 4 5 6	
07A		00262120032	TUERCA AUTOBLOC. 12M150 DADO NUT	MUTTER ECROU	1 2 3 4 5 6	
08A		00H01804331	PLACA ROZAMIENTO CADENA PIASTRA ATTRITO CATENA CHAIN FORCHIN PLATE	KETTEN-REIBPLATTE PLAQUE GLISSEMENT CHAINE	1 2 3 4 5 6	
09A		00011141300	TORNILLO C/CRUZ 4,8X13. VITE SCREW	SCHRAUBE VIS	1 2 3 4 5 6	
10A		00000031050	ARANDELA D5 RONDELLA WASHER	SCHEIBE RONDELLE	1 2 3 4 5 6	
11A		00H01508181	CUBRECADENA COPRICATENA CHAIN COVER	KETTENSCHUTZ COUVRE CHAINE	1 2 3 4 5 6	

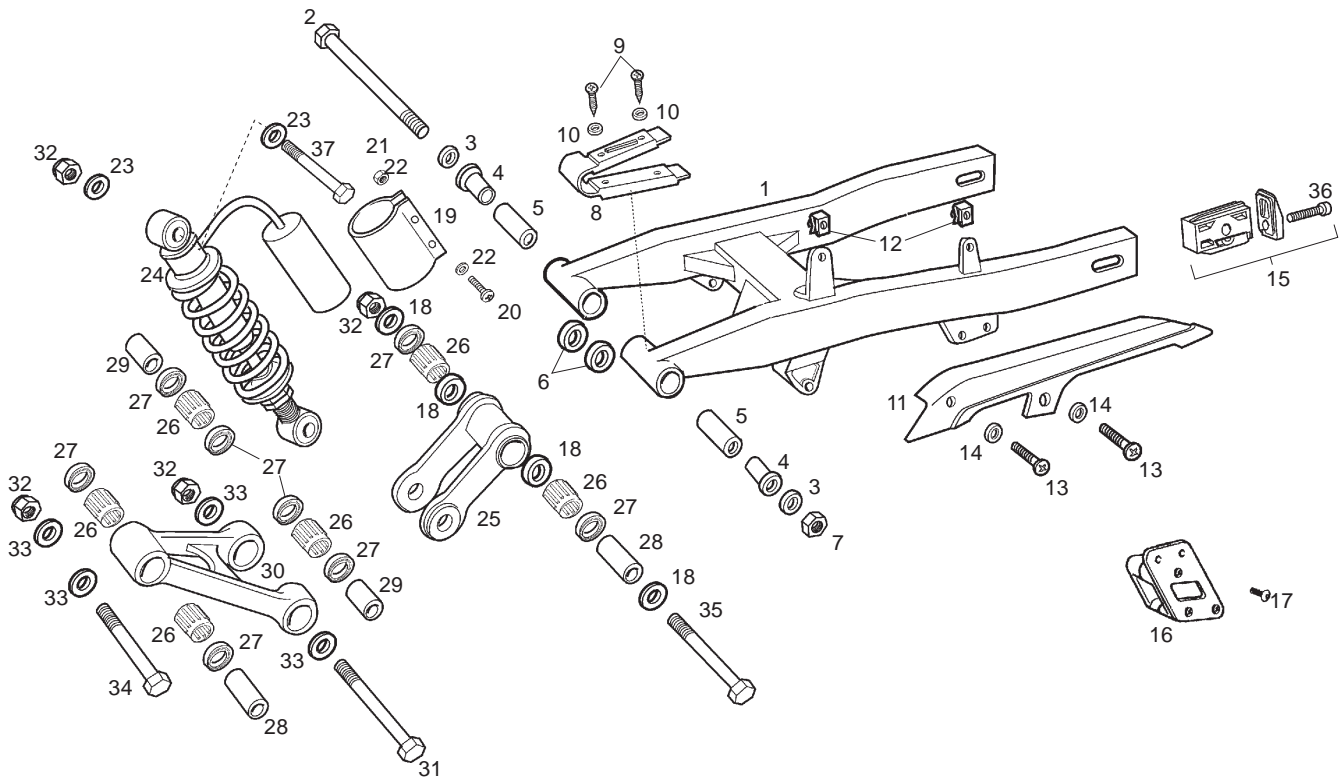


Fig.	Ver.	COD. KOD.	DESCRIPCIÓN DENOMINAZIONE NAME	BEZEICHNUNG DESIGNATION	MOD.	NOTAS NOTES NOTA MITSCHRIFT NOTES
12A		00D01501371	TUERCA FIJACION D6 DADO NUT	MUTTER ECROU	1 2 3 4 5 6	
13A		00012061200	TORNILLO C/CRUZ NG 6M100X12 VITE SCREW	SCHRAUBE VIS	1 2 3 4 5 6	
14A		00D01200171	ARANDELA RONDELLA WASHER	SCHEIBE RONDELLE	1 2 3 4 5 6	
15A		00H01304811	R-CTO.TENSOR RUEDA TENSORE RUOTA ADJUSTER, REAR WHEEL	HINTERRADSPANNER TENDEUR DE ROUE	1 2 3 4 5 6	
16A	01	00H01502871	CTO GUIA CADENA GUIDA CATENA CHAIN GUIDE	GLEITBAHN GUIDE CHAINE	1 2 3 4 5 6	
16A		86133R	CTO GUIA CADENA GUIDA CATENA CHAIN GUIDE	GLEITBAHN GUIDE CHAINE	1 2 3 4 5 6	
17A		00012061000	TORNILLO C/REDONDA 6X10 VITE SCREW	SCHRAUBE VIS	1 2 3 4 5 6	
18A		00001213190	CASQUILLO BRONZINA BUSHING	BUCHSE ENTRETOISE	1 2 3 4 5 6	
19A		00H02201521	BRIDA BRIGLIA BRIDLE	ZÜGEL BRIDE	1 2 3 4 5 6	
20A		00000004630	TORNILLO C/ALLEN 6M100X30 VITE SCREW	SCHRAUBE VIS	1 2 3 4 5 6	
21A		00000021060	TUERCA EXAG. 6M100 DADO NUT	MUTTER ECROU	1 2 3 4 5 6	

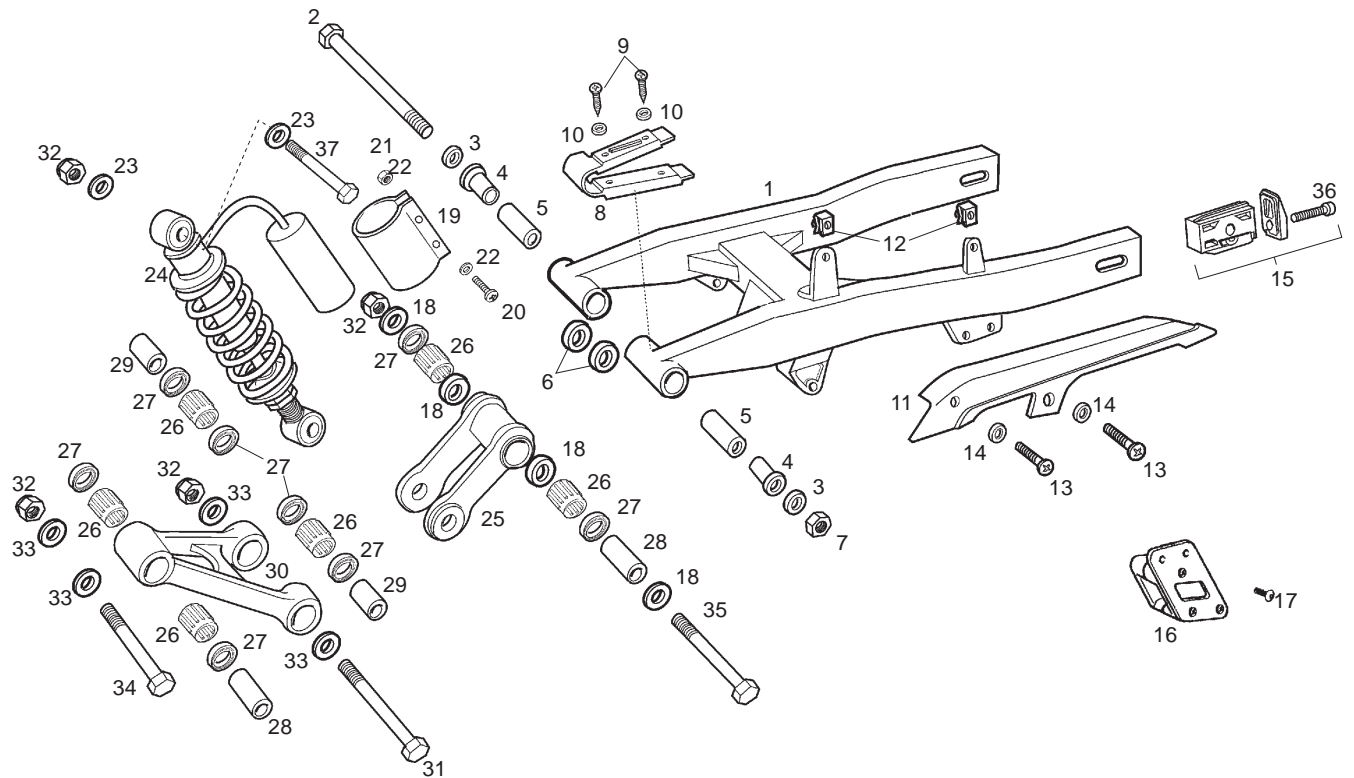


Fig.	Ver.	COD. KOD.	DESCRIPCIÓN DENOMINAZIONE NAME	BEZEICHUNG DESIGNATION	MOD.	NOTAS NOTES NOTA MITSCHRIFT NOTES
22A		00000031070	ARANDELA M7 RONDELLA WASHER	SCHEIBE RONDELLE	1 2 3 4 5 6	
23A		00003115422	ARANDELA RONDELLA WASHER	SCHEIBE RONDELLE	1 2 3 4 5 6	
24A		00H01511191	CTO AMORTIGUADOR AMMORTIZZATORE SHOCK ABSORBER	FEDERBEIN AMORTISSEUR	1 2 3 4 5 6	
25A		00H00301801	SCTO.BIELA ARTICULACION SCTO.BIELA ARTICUL. SUSPENSION LINKS ARTICULATION	U-GRUPPE ANGELENKTES PLEUEL S/ENSEMBLE BIELLE ARTICULATION	1 2 3 4 5 6	
26A		00H00301701	JAULA AGUJAS BIELETAS GABBIA SPILLI BIELLETTE SUSPENSION LINKS NEEDLE BEARING	NADELK < FIG PLEUEL CAGE AIGUILLES BIELLETTES	1 2 3 4 5 6	
27A		00H00301871	RETEN JAULA AGUJAS BIELETAS GIUNTO TENUTA SEAL	DICHTRING JOINT	1 2 3 4 5 6	
28A		00H00301851	CASQUILLO BRONZINA BUSHING	BUCHSE ENTRETOISE	1 2 3 4 5 6	
29A		00H00301861	CASQUILLO BRONZINA BUSHING	BUCHSE ENTRETOISE	1 2 3 4 5 6	
30A		863989	SCTO BIELA TRIANGULAR C/CASQ. BIELLA TRIANGOLO SUSPENSION TRIANGULATION LINKS	U-GRUPPE ANGELENKTE TRIANGULA S/ENSEMBLE BIELLE TRIANGLE ART	1 2 3 4 5 6	
31A		00H00300891	TORNILLO FIJ. AMORT. 12M175X110 VITE SCREW	SCHRAUBE VIS	1 2 3 4 5 6	
32A		00023112000	TUERCA AUTOBLOC.12M175 DADO NUT	MUTTER ECROU	1 2 3 4 5 6	

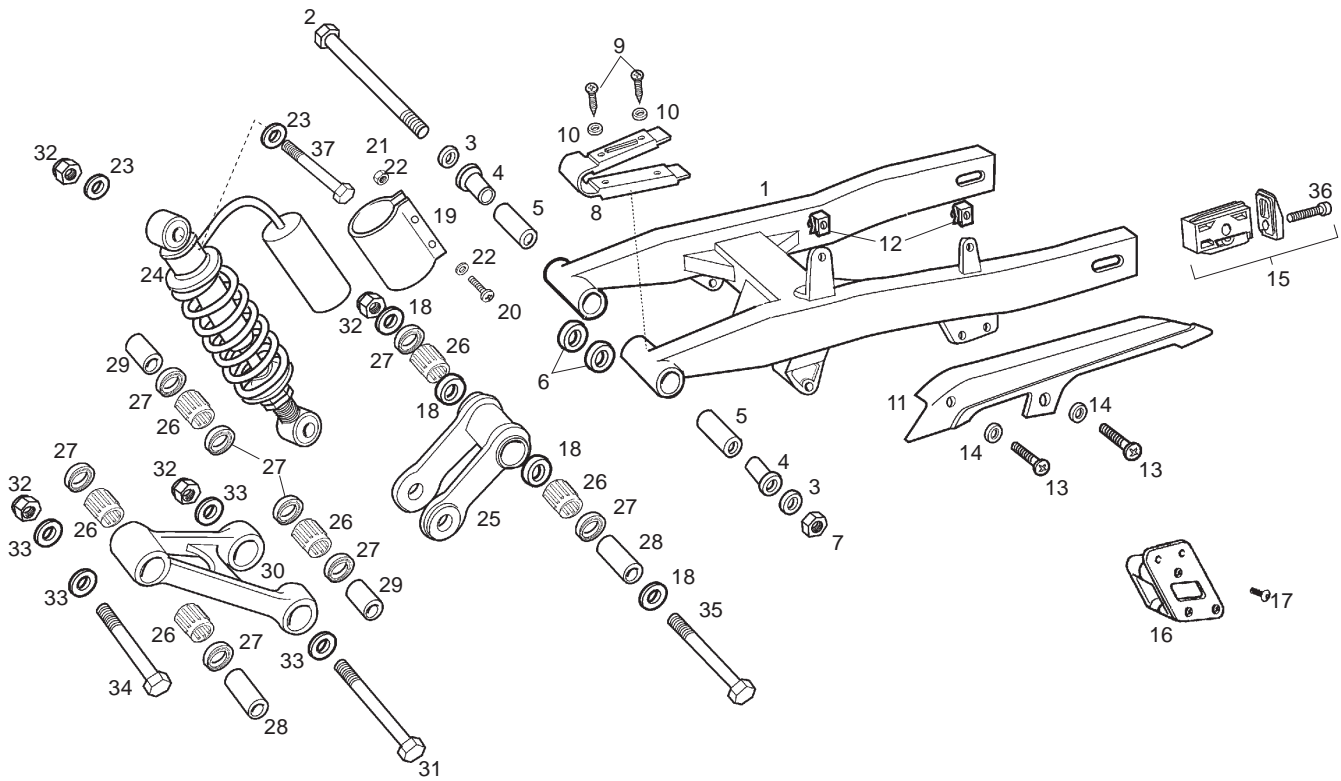


Fig.	Ver.	COD. KOD.	DESCRIPCIÓN DENOMINAZIONE NAME	BEZEICHNUNG DESIGNATION	MOD.	NOTAS NOTES NOTA MITSCHRIFT NOTES
33A		00H01500421	ARANDELA FIJ.INF.AMORT. RONDELLA WASHER	SCHEIBE RONDELLE	1 2 3 4 5 6	
34A		00H06800471	TORNILLO FIJ. B I ELA 12M175X70 VITE SCREW	SCHRAUBE VIS	1 2 3 4 5 6	
35A		00031120123	TORNILLO FIJ. BI ELETAS VITE SCREW	SCHRAUBE VIS	1 2 3 4 5 6	
36A		00H01301491	TORNILLO C/ALLEN M8X50 VITE SCREW	SCHRAUBE VIS	1 2 3 4 5 6	
37A		00H00303892	TORNILLO 12M175X58 VITE SCREW	SCHRAUBE VIS	1 2 3 4 5 6	

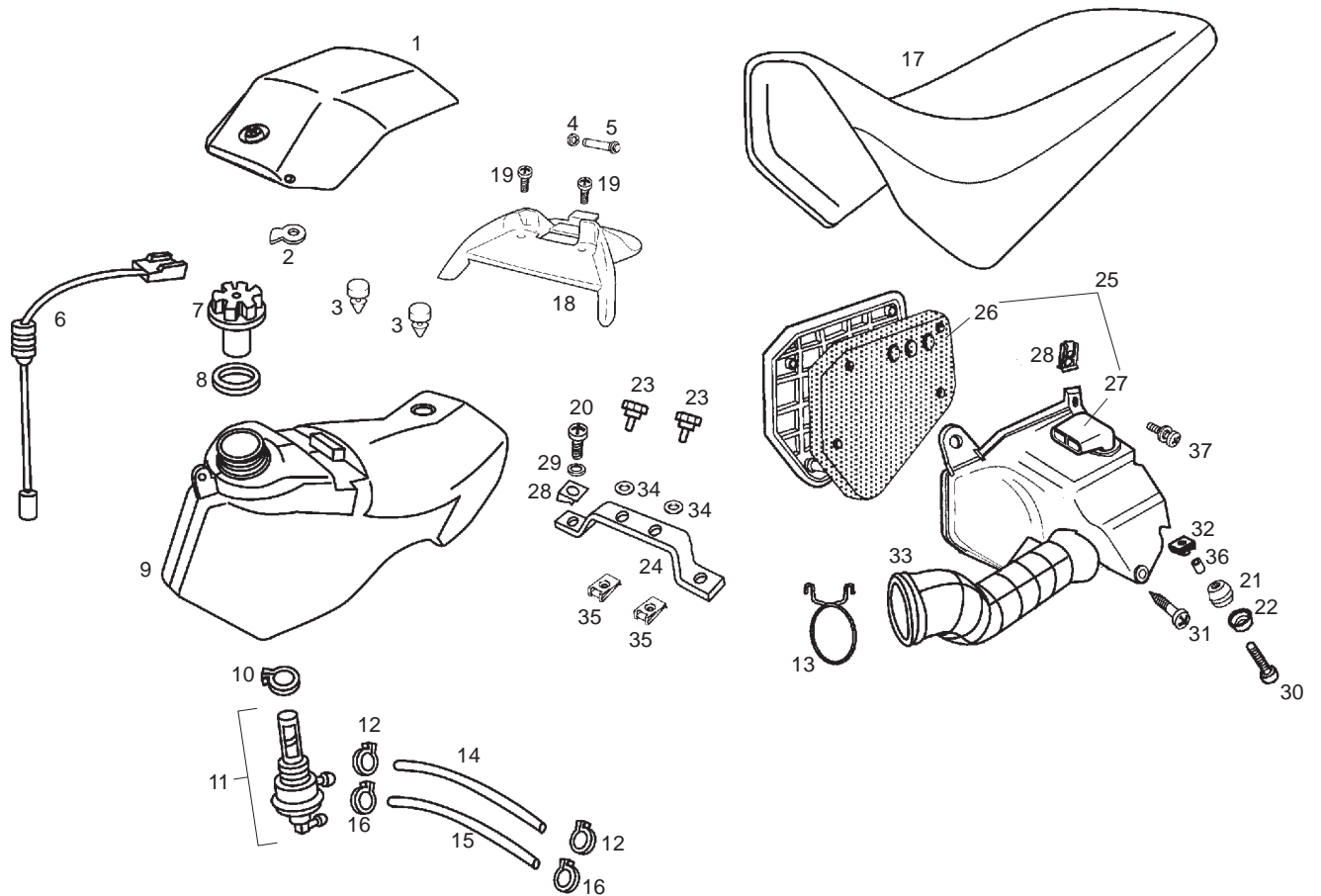


Fig.	Ver.	COD. KOD.	DESCRIPCIÓN DENOMINAZIONE NAME	BEZEICHUNG DESIGNATION	MOD.	NOTAS NOTES NOTA MITSCHRIFT NOTES
01A		00H00415681	TAPA SUPERIOR DEPOSITO COPERCHIO COVER	DECKEL COUVERCLE	12 56	
01B		86246100WA3	TAPA SUPERIOR DEPOSITO COPERCHIO COVER	DECKEL COUVERCLE	3	
01C		86246100WB1	TAPA SUPERIOR DEPOSITO COPERCHIO COVER	DECKEL COUVERCLE	4	
02A		864099	LEVA CIERRE TAPA DEPOSITO LEVA LEVER	SCHLOSS-VERSCHLUSSHEBEL LEVIER	1 2 3 4 5 6	
03A		00G01401321	TOPE GOMA GOMMA RUBBER	GUMMISTOPPEL CAOUTCHOUC	1 2 3 4 5 6	
04A		00047030400	ANILLO SEGURIDAD EJES D4 ANELLO SICUREZZA CIRCLIP	SICHERHEITSRING ANNEAU SECURITE	1 2 3 4 5 6	
05A		00H06303752	EJE ARTICULACION TAPA DEPOSITO ASSE ARTIC. COPER.C.SUP.SERB. AXLE	STIFT AXE	1 2 3 4 5 6	
06A		00H04302181	CTO. NIVEL GASOLINA LIVELLO BENZINA SEND GAS LEVEL SENSOR ASSY.	KRAFTSTOFFSTAND ENSEMBLE FLOTTEUR ESSENCE	1 2 3 4 5 6	
07A		00F00400131	CTO. TAPON DEPTO. GASOLINA TAPPO SERBATOIO BENZINA FUEL TANK CAP	FUEL TANK CAP ENS.BOUCHON RESERV.ESSENCE V.B	1 2 3 4 5 6	
08A		00F00400771	R-ARANDELA TAPON DEPOSITO RONDELLA WASHER	SCHEIBE RONDELLE	1 2 3 4 5 6	
09A		00H00410011	DEPOSITO GASOLINA SERBATOIO BENZINA FUEL TANK	BENZINTANK RESERVOIR ESSENCE	1 2 3 4 5 6	

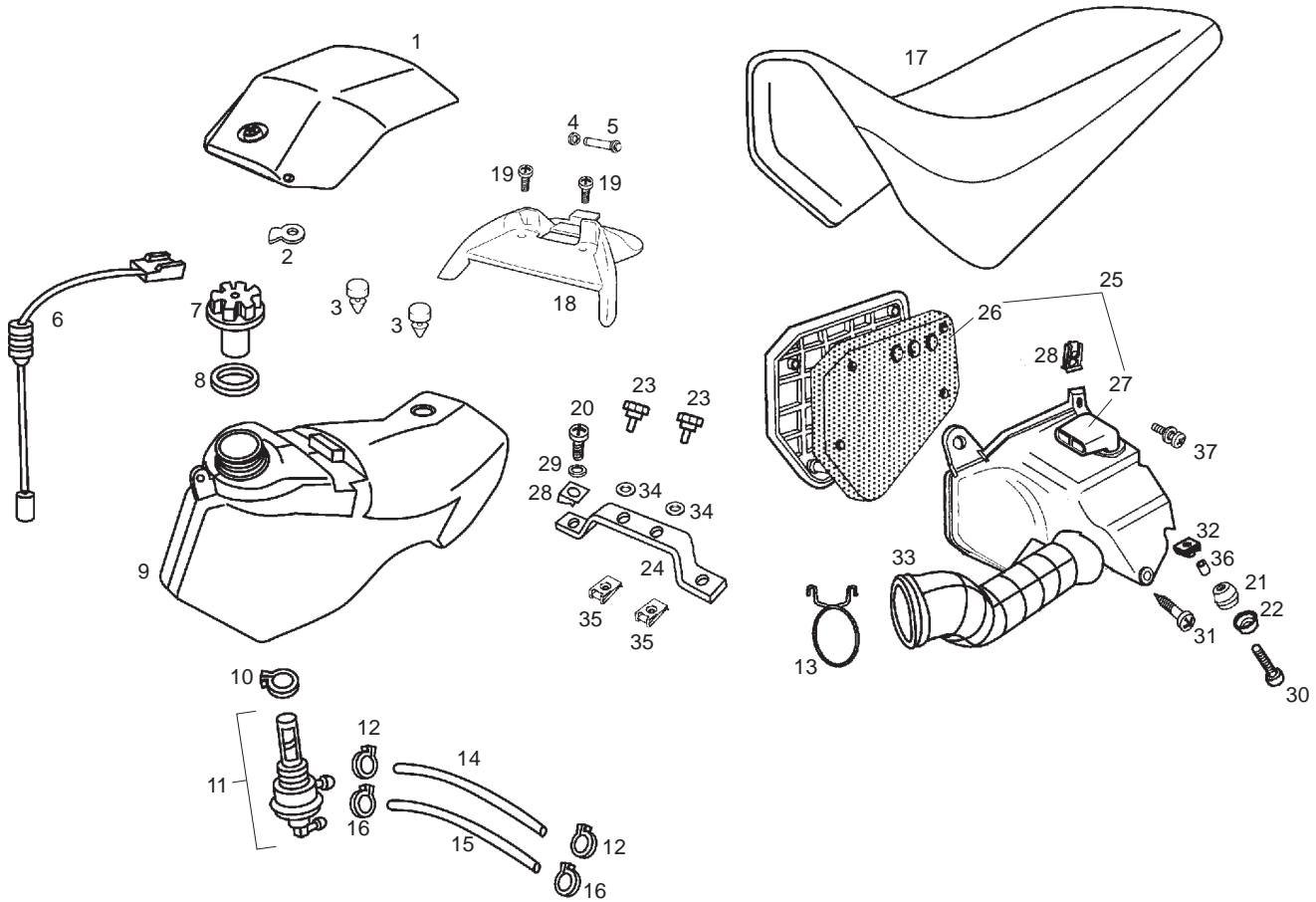


Fig.	Ver.	COD. KOD.	DESCRIPCIÓN DENOMINAZIONE NAME	BEZEICHUNG DESIGNATION	MOD.	NOTAS NOTES NOTA MITSCHRIFT NOTES
10A		00G00400501	ABRAZADERA FASCETTA CLAMP	FLANGE BRIDE	1 2 3 4 5 6	
11A		00G00400181	CTO. GRIFO GASOLINA RUBINETTO BENZINA FUEL COCK ASSY	KRAFTSTOFFHAHN UNTERDRUCK ENSEMBLE ROBINET ESSENCE	1 2 3 4 5 6	
12A		00D03700131	ABRAZADERA ELASTICA FASCETTA CLAMP	FLANGE BRIDE	1 2 3 4 5 6	
13A		00G03204272	MUELLE TUBO ADMISION MOLA SPRING	FEDER RESSORT	1 2 3 4 5 6	
14A		00F00403321	TUBO GASOLINA TUBO TUBE	ROHR TUYAU	1 2 3 4 5 6	
15A		00H06201061	TUBO DEPRESION TUBO TUBE	ROHR TUYAU	1 2 3 4 5 6	
16A		00F03710131	ABRAZADERA ELASTICA FASCETTA CLAMP	FLANGE BRIDE	1 2 3 4 5 6	
17A		00H00625011	SILLIN COMP.SELLINO SEAT	SITZBANK SELLE	1 6	
17B		00H00625012	SILLIN COMP.SELLINO SEAT	SITZBANK SELLE	2 4 5	
17C		86248500WG2	SILLIN COMP.SELLINO SEAT	SITZBANK SELLE	3	
18A		00H00606021	SUPLEMENTO BASE SILLIN SUPPLEMENTO SELLINO SEAT SUPPLEM.	ZUBEHOR SITZBANK SUPL.SELLE	1 2 3 4 5 6	

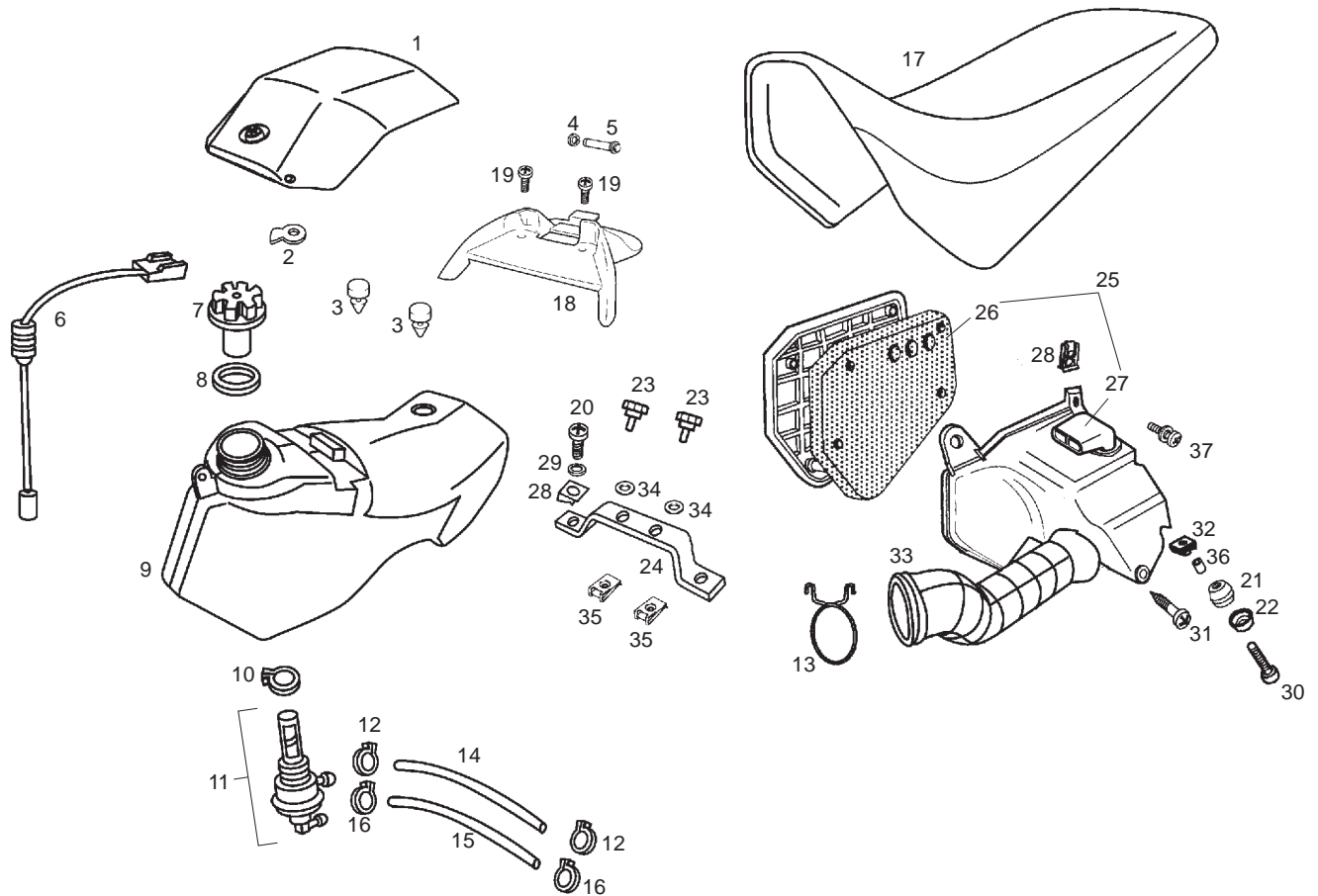


Fig.	Ver.	COD. KOD.	DESCRIPCIÓN DENOMINAZIONE NAME	BEZEICHUNG DESIGNATION	MOD.	NOTAS NOTES NOTA MITSCHRIFT NOTES
19A		00011051401	TORNILLO AUTOROSCANTE.5,1X14 VITE SCREW	SCHRAUBE VIS	1 2 3 4 5 6	
20A		00012061200	TORNILLO C/CRUZ 6M100X12 VITE SCREW	SCHRAUBE VIS	1 2 3 4 5 6	
21A		00008915020	PROTECCION CABLES PROTEZIONE CAVI RUBBER, CABLE PROTECTOR	GUMMI PASSE-CABLE	1 2 3 4 5 6	
22A		00D01500552	CAZOLETA SCADELLINO FISSAGGIO HOUSING	ABDECKSCHEIBE CUVETTE	1 2 3 4 5 6	
23A		865366	VOLANTE D20/M5X25 FIJ. SILLIN CHIUSURA SELLINO LOCKING ASSY	SCHOLSS ENSEMBLE SERRURE	1 2 3 4 5 6	
24A		00H00404051	PUENTE FIJACION DEPOSITO SUPPORTO INF. SERBATOIO LOWER FUEL TANK BRACKET	LOWER FUEL TANK BRACKET GPRÈRE SUPPORT INFÉRIEUR RISERVOIR ES	1 2 3 4 5 6	
25A		00H01809541	CTO CAJA FILTRO CASSA FILTRO AIR FILTER BOX	FILTERKASTEN ENSEMBLE BOITE FILTRE	1 2 3 4 5 6	
26A		00H03209251	ESPUMA FILTRO AIRE ESPANSO FILTRO ARIA AIR FILTER MESH	LUFTFILTERSCHAUM FILTRE AIR	1 2 3 4 5 6	
27A		00H03208491	TUBO ASPIRACION CAJA FILTRO TUBO TUBE	ROHR TUYAU	1 2 3 4 5 6	
28A		00D01501371	TUERCA FIJACION D6 DADO NUT	MUTTER ECROU	1 2 3 4 5 6	
29A		00D01200171	ARANDELA RONDELLA WASHER	SCHEIBE RONDELLE	1 2 3 4 5 6	

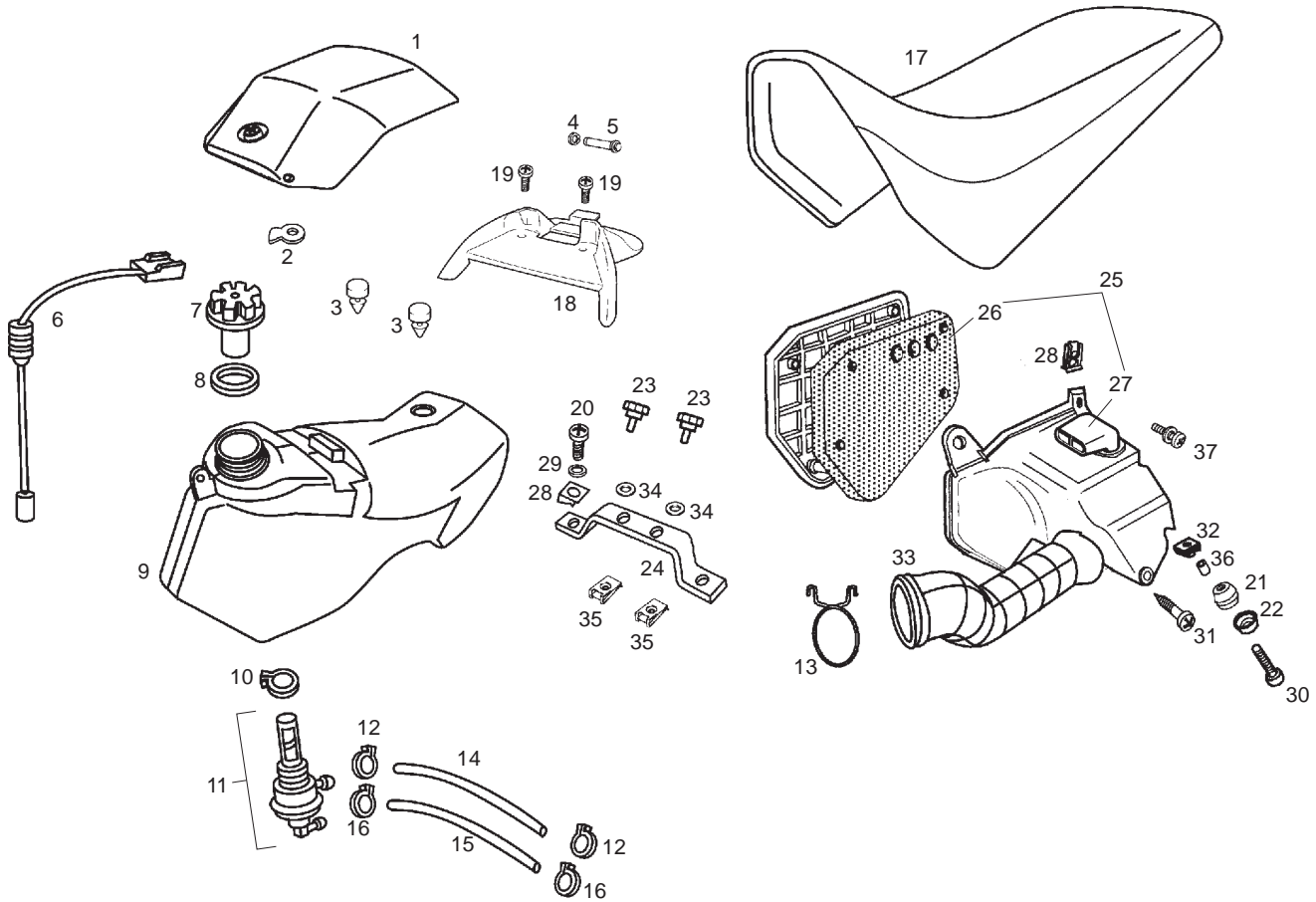
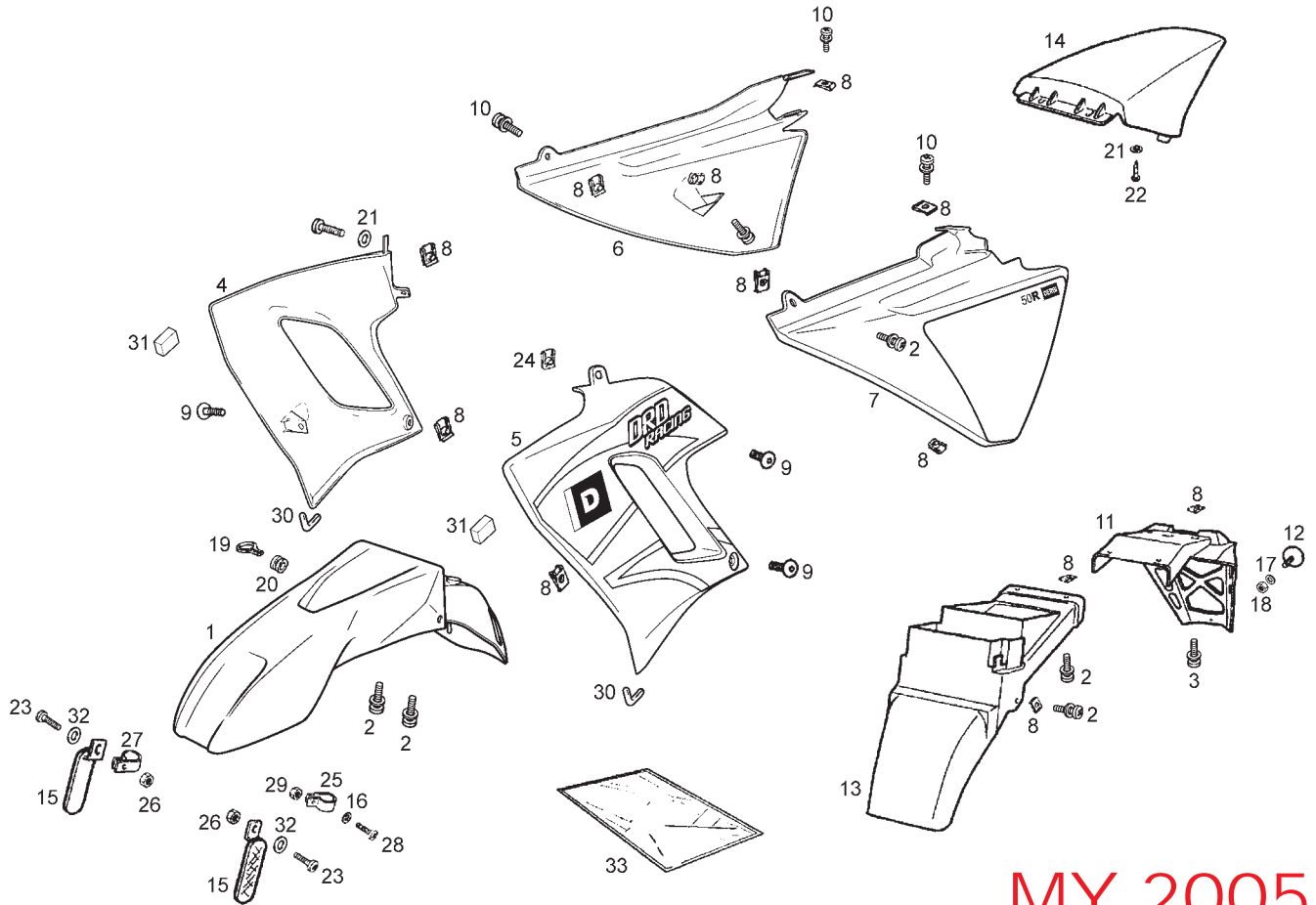


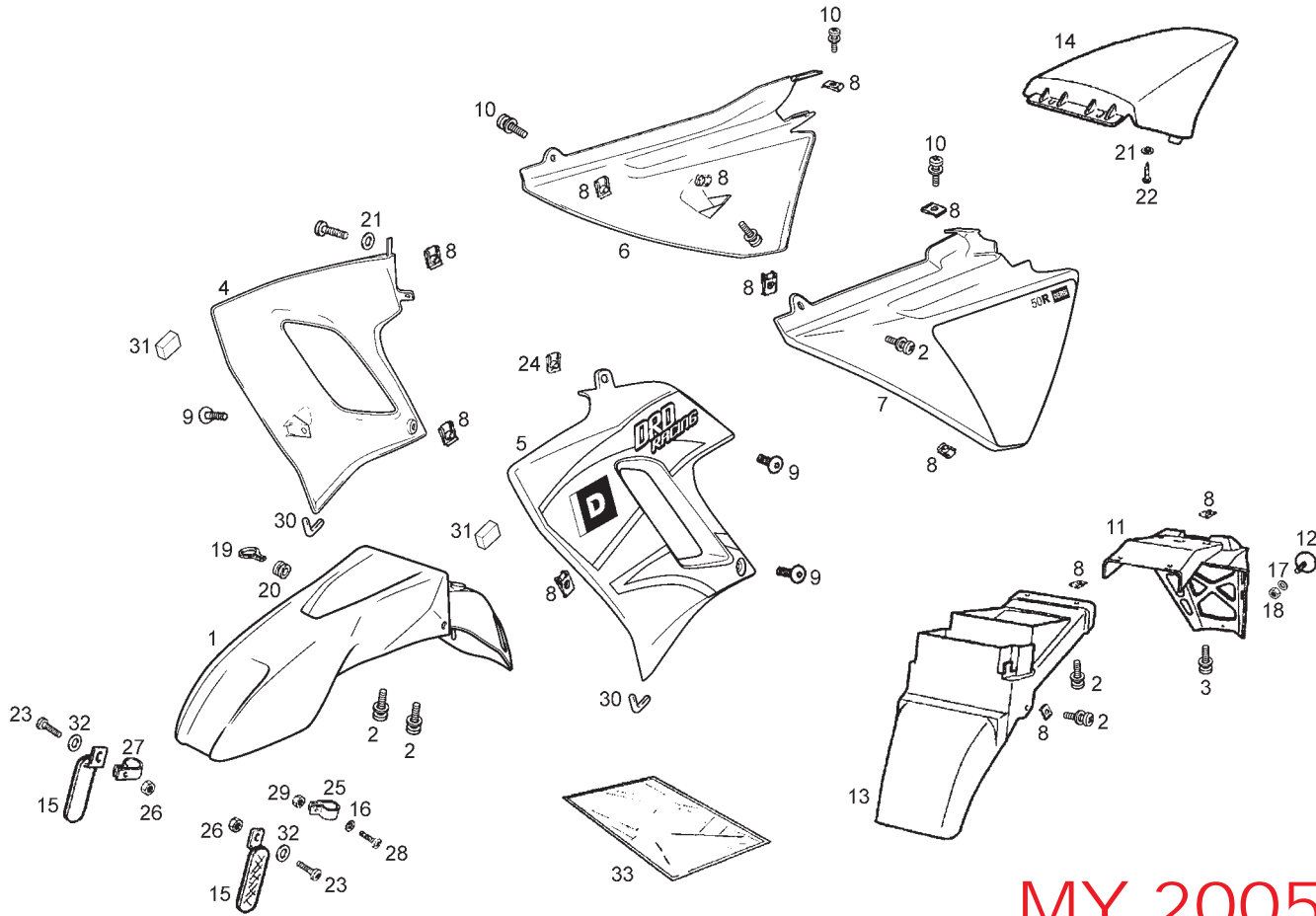
Fig.	Ver.	COD. KOD.	DESCRIPCIÓN DENOMINAZIONE NAME	BEZEICHNUNG DESIGNATION	MOD.	NOTAS NOTES NOTA MITSCHRIFT NOTES
30A		00012161600	TORNILLO 6M100X16 VITE SCREW	SCHRAUBE VIS	1 2 3 4 5 6	
31A		00073481964	TORNILLO C/CRUZ 4,8X19 VITE SCREW	SCHRAUBE VIS	1 2 3 4 5 6	
32A		00D01501371	TUERCA FIJACION D6 DADO NUT	MUTTER ECROU	1 2 3 4 5 6	
33A		00H03207261	TUBO ADMISION TUBO TUBE	ROHR TUYAU	1 2 3 4 5 6	
34A		00D01200171	ARANDELA RONDELLA WASHER	SCHEIBE RONDELLE	1 2 3 4 5 6	UNTIL FRAME 8H406669
35A		00H01500691	TUERCA DADO NUT	MUTTER ECROU	1 2 3 4 5 6	
36A		00D01500471	CASQUILLO BRONZINA BUSHING	BUCHSE ENTRETOISE	1 2 3 4 5 6	
37A		00D05900081	SCTO.TORNILLO 6M100X16 VITE SCREW	SCHRAUBE VIS	1 2 3 4 5 6	

**PIEZAS CON CALCAS
PARTS WITH DECALS**



MY 2005

Fig.	Ver.	COD. KOD.	DESCRIPCIÓN DENOMINAZIONE NAME	BEZEICHNUNG DESIGNATION	MOD.	NOTAS NOTES NOTA MITSCHRIFT NOTES
01A		00H00721021	GUARDABARRO DELANTERO PARAFANGO ANTERIORE FRONT MUDGUARD ASSY	KOTFLUGEL VORN GARDE-BOUE AVANT RGE	1	
01B		00H00721023	GUARDABARRO DELANTERO PARAFANGO ANTERIORE FRONT MUDGUARD ASSY	KOTFLUGEL VORN GARDE-BOUE AVANT RGE	2	
02A		00H05900021	SCTO.TORNILLO 6M100X16 VITE SCREW	SCHRAUBE VIS	12	
03A		00012061200	SCTO.TORNILLO 6M100X12 VITE SCREW	SCHRAUBE VIS	12	
04A		00H04415771	TAPA DELANTERA DERECHA COPERCHIO COVER	DECKEL COUVERCLE	1	
04B		00H04415772	TAPA DELANTERA DERECHA COPERCHIO COVER	DECKEL COUVERCLE	2	
05A		00H04415781	TAPA DELANTERA IZQUIERDA COPERCHIO COVER	DECKEL COUVERCLE	1	
05B		00H04415782	TAPA DELANTERA IZQUIERDA COPERCHIO COVER	DECKEL COUVERCLE	2	
06A		00H00554691	TAPA LATERAL DERECHA COPERCHIO COVER	DECKEL COUVERCLE	12	
07A		00H00554701	TAPA LATERAL IZQUIERDA COPERCHIO COVER	DECKEL COUVERCLE	12	
08A		00D01501371	TUERCA FIJACION D6 DADO NUT	MUTTER ECROU	12	

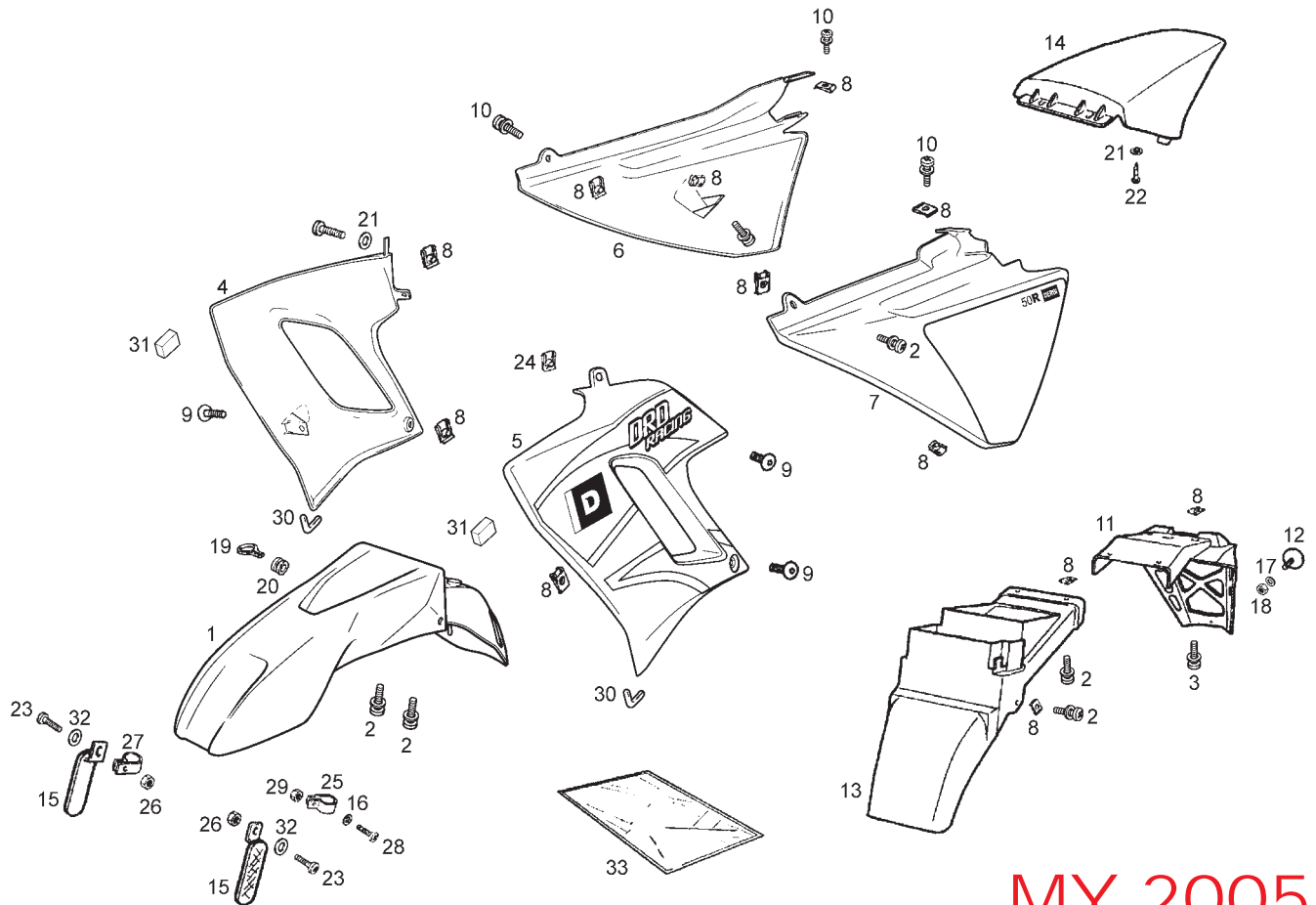


**PIEZAS CON CALCAS
PARTS WITH DECALS**

MY 2005

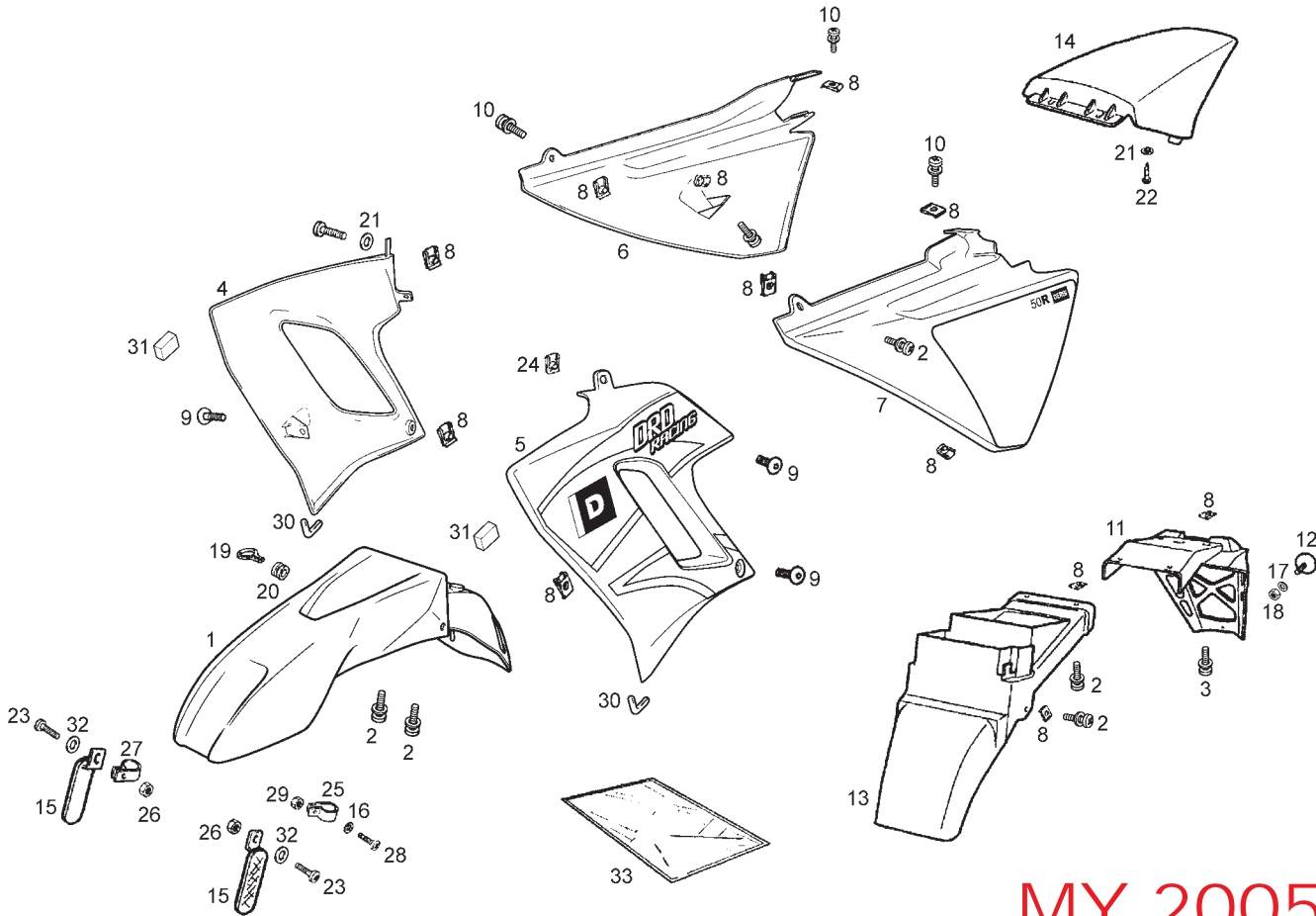
Fig.	Ver.	COD. KOD.	DESCRIPCIÓN DENOMINAZIONE NAME	BEZEICHUNG DESIGNATION	MOD.	NOTAS NOTES NOTA MITSCHRIFT NOTES
09A		00H01501701	TORNILLO FIJACION VITE SCREW	SCHRAUBE VIS	12	
10A		00F05900041	SCTO.TORNILLO 6M100X16 VITE SCREW	SCHRAUBE VIS	12	
11A		00H00718341	SUPLEMENTO GUARD. TRASERO SUPPLEMENTO PARAFANGO POST. SUPPLEM. REAR FENDER	ZUBEHOR STAUBFANGER HINTEN SUPL. GARDE BOUE AR.	12	
12A		00K05110651	CAPTAFAROS TRASERO ROJO CATARIFRANGENTE REFLECTOR	TRAHLER CATADIOPTRE	12	
13A		00H00705121	GUARDABARROS TRASERO PARAFANGO POSTERIORE REAR MUDGUARD	KOTFLUGEL HINTEN GARDE BOUE ARRIERE	12	
14A		00H00620161	COLIN COLIN SELLINO SEAT BASE	KOTFLUGEL HINTEN DOSSERET SELLE	12	
15A		00H01802081	CAPTAFAROS CATARIFRANGENTE REFLECTOR	TRAHLER CATADIOPTRE	12	
16A		00402060001	ARANDELA M6 RONDELLA WASHER	SCHEIBE RONDELLE	12	
17A		00000031040	ARANDELA D4 RONDELLA WASHER	SCHEIBE RONDELLE	12	
18A		00000023040	TUERCA AUTOBLOCANTE D4 DADO NUT	MUTTER ECROU	12	
19A		00H02201591	GUIA CABLES FRENO GUIDA CAVI CABLE GUIAE	HALTER F. BEF. BREMSSCHLAU SOUS-EN.SUP.FIX.TUYAU FREIN	12	

**PIEZAS CON CALCAS
PARTS WITH DECALS**



MY 2005

Fig.	Ver.	COD. KOD.	DESCRIPCIÓN DENOMINAZIONE NAME	BEZEICHNUNG DESIGNATION	MOD.	NOTAS NOTES NOTA MITSCHRIFT NOTES
20A		00D01500021	PASACABLE S PORTACAVI GROMMET	GUMMI PASSE-CABLE	12	
21A		00000031050	ARANDELA D5 RONDELLA WASHER	SCHEIBE RONDELLE	12	
22A		00011051401	TORNILLO AUTOROSCANTE.5,1X14 VITE SCREW	SCHRAUBE VIS	12	
23A		00012152000	TORNILLO 5M80X20 VITE SCREW	SCHRAUBE VIS	12	
24A		00G04401462	TUERCA FIJACION D5 DADO NUT	MUTTER ECROU	12	
25A		00H01501811	BRIDA BRIGLIA BRIDLE	ZÜGEL BRIDE	12	
26A		00000023051	TUERCA AUTOBLOCANTE 5M80 DADO NUT	MUTTER ECROU	12	
27A		00H01501811	BRIDA BRIGLIA BRIDLE	ZÜGEL BRIDE	12	
28A		00002062511	TORNILLO C/ALLEN 6M100X25 VITE SCREW	SCHRAUBE VIS	12	
29A		00000023060	TUERCA AUTOBLOC. 6M100 DADO NUT	MUTTER ECROU	12	
30A		00H00502901	PERFIL TAPA DT.DR.DRD RACING PROTEZIONE RUBBER PROTECTOR	GUMMI PROTECTEUR	12	

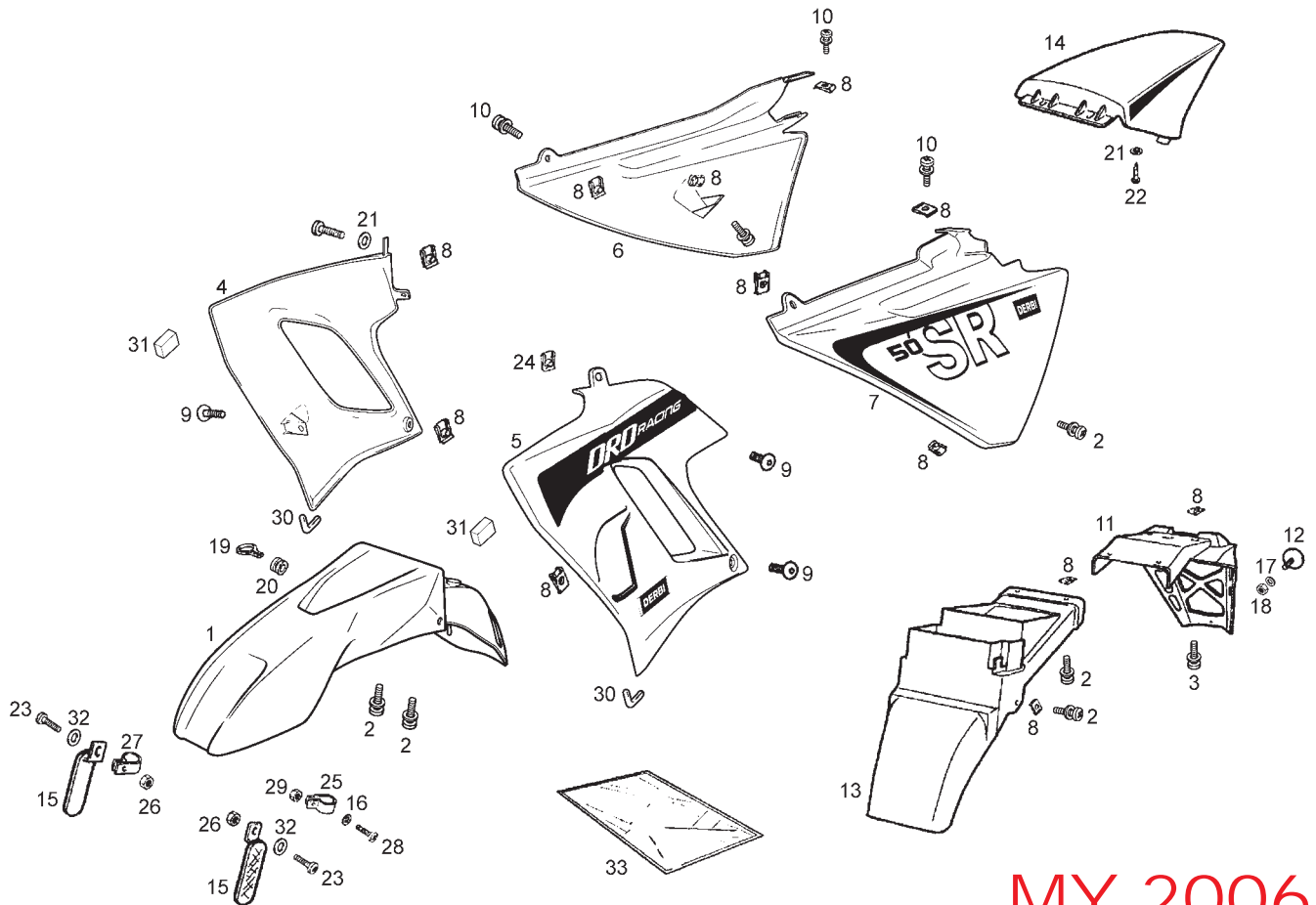


**PIEZAS CON CALCAS
PARTS WITH DECALS**

MY 2005

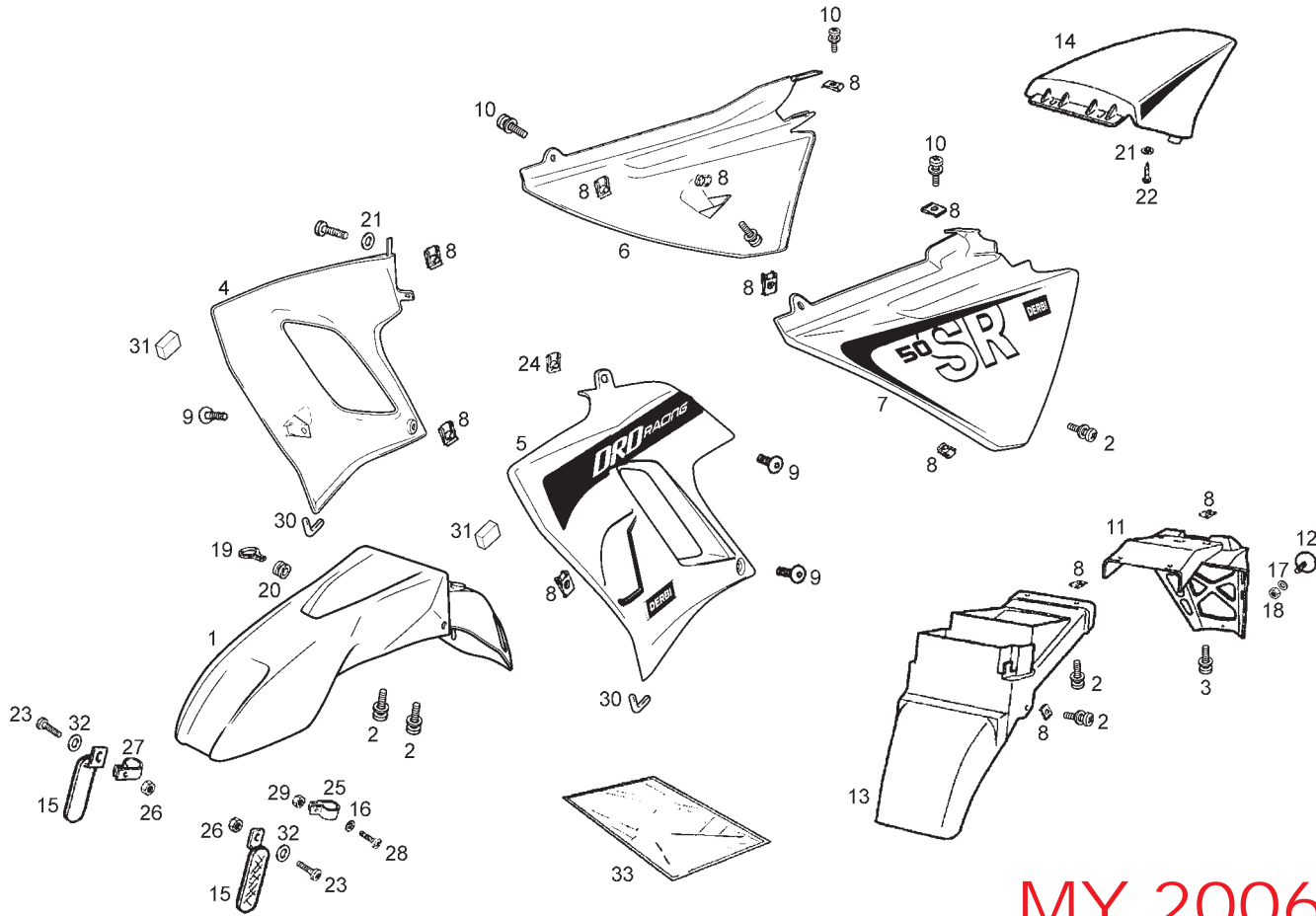
Fig.	Ver.	COD. KOD.	DESCRIPCIÓN DENOMINAZIONE NAME	BEZEICHNUNG DESIGNATION	MOD.	NOTAS NOTES NOTA MITSCHRIFT NOTES
31A		00H06300771	TOPE FERMO STOPPER	ANSCHLAG BUTEE	12	
32A		00031105000	ARANDELA RONDELLA WASHER	SCHEIBE RONDELLE	12	
33A		00H05160651	JUEGO CALCAS DRD RACING AZUL'05 COMPL.ADESIVI DECALS ASSY	AUFKLEBERSATZ JEU ADHESIF	1	
33B		00H05160652	JUEGO CALCAS DRD RACING ROJO'05 COMPL.ADESIVI DECALS ASSY	AUFKLEBERSATZ JEU ADHESIF	2	

**PIEZAS CON CALCAS
PARTS WITH DECALS**



MY 2006

Fig.	Ver.	COD. KOD.	DESCRIPCIÓN DENOMINAZIONE NAME	BEZEICHNUNG DESIGNATION	MOD.	NOTAS NOTES NOTA MITSCHRIFT NOTES
01A		00H00721021	GUARDABARRO DELANTERO PARAFANGO ANTERIORE FRONT MUDGUARD ASSY	KOTFLUGEL VORN GARDE-BOUE AVANT RGE	3	
01B		86525100WB1	GUARDABARRO DELANTERO PARAFANGO ANTERIORE FRONT MUDGUARD ASSY	KOTFLUGEL VORN GARDE-BOUE AVANT RGE	4	
02A		00H05900021	SCTO.TORNILLO 6M100X16 VITE SCREW	SCHRAUBE VIS	34	
03A		00012061200	SCTO.TORNILLO 6M100X12 VITE SCREW	SCHRAUBE VIS	34	
04A		86247400WA3	TAPA DELANTERA DERECHA COPERCHIO COVER	DECKEL COUVERCLE	3	
04B		86247400WB1	TAPA DELANTERA DERECHA COPERCHIO COVER	DECKEL COUVERCLE	4	
05A		86247500WA3	TAPA DELANTERA IZQUIERDA COPERCHIO COVER	DECKEL COUVERCLE	3	
05B		86247500WB1	TAPA DELANTERA IZQUIERDA COPERCHIO COVER	DECKEL COUVERCLE	4	
06A		86247600WN0	TAPA LATERAL DERECHA COPERCHIO COVER	DECKEL COUVERCLE	34	
07A		86247700WN0	TAPA LATERAL IZQUIERDA COPERCHIO COVER	DECKEL COUVERCLE	34	
08A		00D01501371	TUERCA FIJACION D6 DADO NUT	MUTTER ECROU	34	

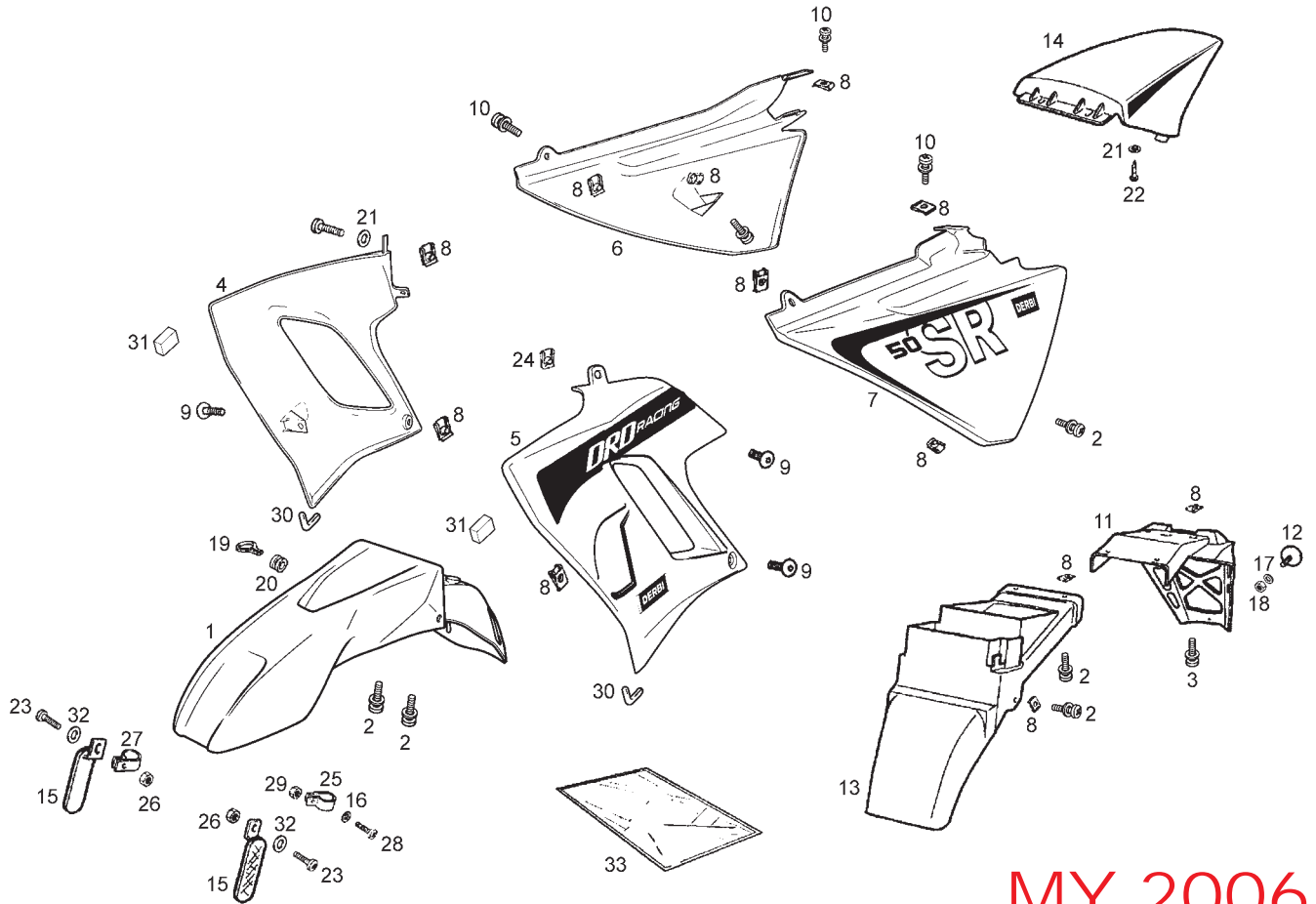


**PIEZAS CON CALCAS
PARTS WITH DECALS**

MY 2006

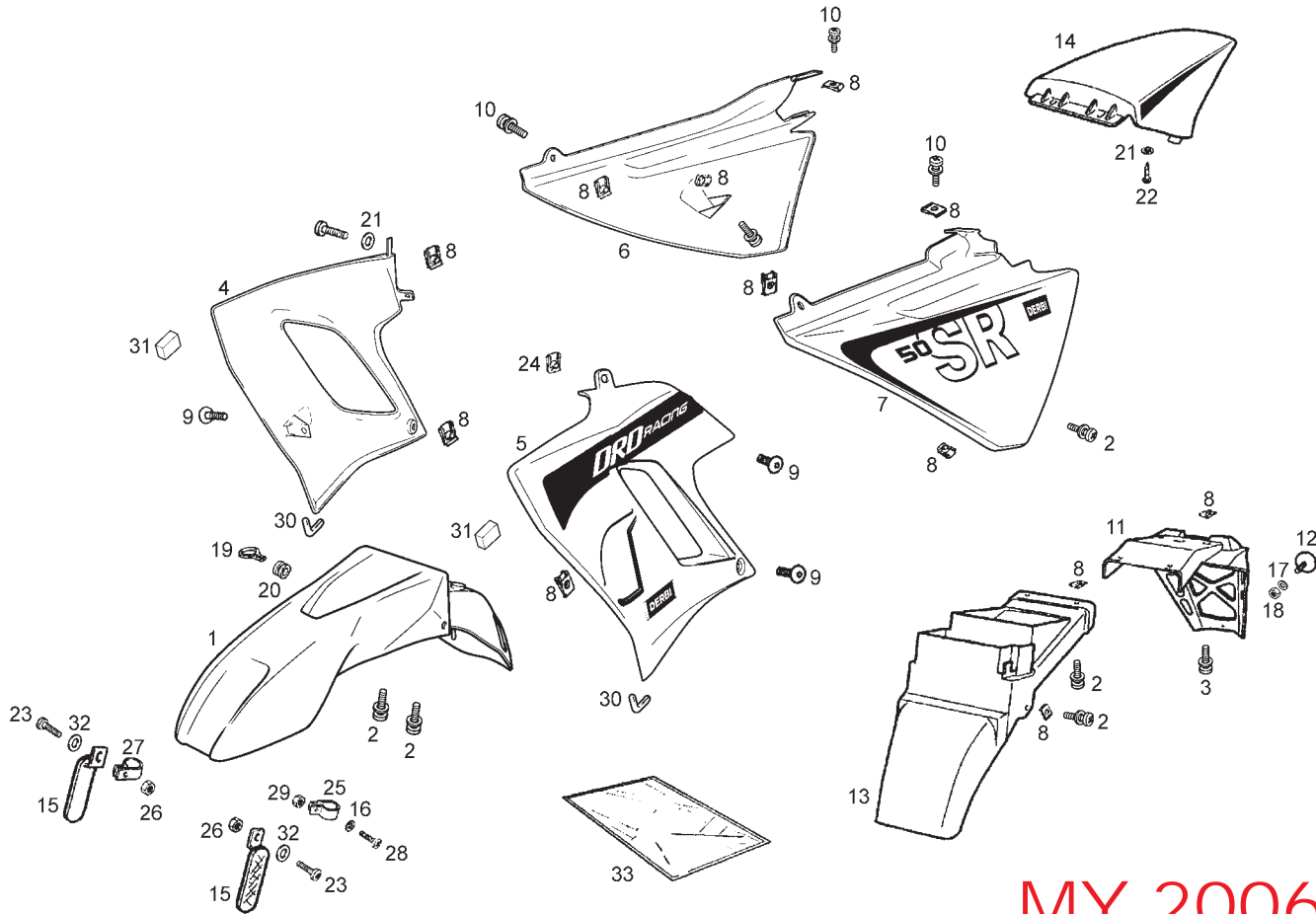
Fig.	Ver.	COD. KOD.	DESCRIPCIÓN DENOMINAZIONE NAME	BEZEICHUNG DESIGNATION	MOD.	NOTAS NOTES NOTA MITSCHRIFT NOTES
09A		00H01501701	TORNILLO FIJACION VITE SCREW	SCHRAUBE VIS	34	
10A		00F05900041	SCTO.TORNILLO 6M100X16 VITE SCREW	SCHRAUBE VIS	34	
11A		00H00718341	SUPLEMENTO GUARD. TRASERO SUPPLEMENTO PARAFANGO POST. SUPPLEM. REAR FENDER	ZUBEHOR STAUBFANGER HINTEN SUPL. GARDE BOUE AR.	34	
12A		00K05110651	CAPTAFAROS TRASERO ROJO CATARIFRANGENTE REFLECTOR	TRAHLER CATADIOPTRE	34	
13A		00H00705121	GUARDABARROS TRASERO PARAFANGO POSTERIORE REAR MUDGUARD	KOTFLUGEL HINTEN GARDE BOUE ARRIERE	34	
14A		86248200WN0	COLIN COLIN SELLINO SEAT BASE	KOTFLUGEL HINTEN DOSSERET SELLE	3	
14B		86248100WN0	COLIN COLIN SELLINO SEAT BASE	KOTFLUGEL HINTEN DOSSERET SELLE	4	
15A		00H01802081	CAPTAFAROS CATARIFRANGENTE REFLECTOR	TRAHLER CATADIOPTRE	34	
16A		00402060001	ARANDELA M6 RONDELLA WASHER	SCHEIBE RONDELLE	34	
17A		00000031040	ARANDELA D4 RONDELLA WASHER	SCHEIBE RONDELLE	34	
18A		00000023040	TUERCA AUTOBLOCANTE D4 DADO NUT	MUTTER ECROU	34	

**PIEZAS CON CALCAS
PARTS WITH DECALS**



MY 2006

Fig.	Ver.	COD. KOD.	DESCRIPCIÓN DENOMINAZIONE NAME	BEZEICHNUNG DESIGNATION	MOD.	NOTAS NOTES NOTA MITSCHRIFT NOTES
19A		00H02201591	GUIA CABLES FRENO GUIDA CAVI CABLE GUIAE	HALTER F. BEF. BREMSSCHLAU SOUS-EN.SUP.FIX.TUYAU FREIN	34	
20A		00D01500021	PASACABLE S PORTACAVI GROMMET	GUMMI PASSE-CABLE	34	
21A		00000031050	ARANDELA D5 RONDELLA WASHER	SCHEIBE RONDELLE	34	
22A		00011051401	TORNILLO AUTOROSCANTE.5,1X14 VITE SCREW	SCHRAUBE VIS	34	
23A		00012152000	TORNILLO 5M80X20 VITE SCREW	SCHRAUBE VIS	34	
24A		00G04401462	TUERCA FIJACION D5 DADO NUT	MUTTER ECROU	34	
25A		00H01501811	BRIDA BRIGLIA BRIDLE	ZÜGEL BRIDE	34	
26A		00000023051	TUERCA AUTOBLOCANTE 5M80 DADO NUT	MUTTER ECROU	34	
27A		00H01501811	BRIDA BRIGLIA BRIDLE	ZÜGEL BRIDE	34	
28A		00002062511	TORNILLO C/ALLEN 6M100X25 VITE SCREW	SCHRAUBE VIS	34	
29A		00000023060	TUERCA AUTOBLOC. 6M100 DADO NUT	MUTTER ECROU	34	

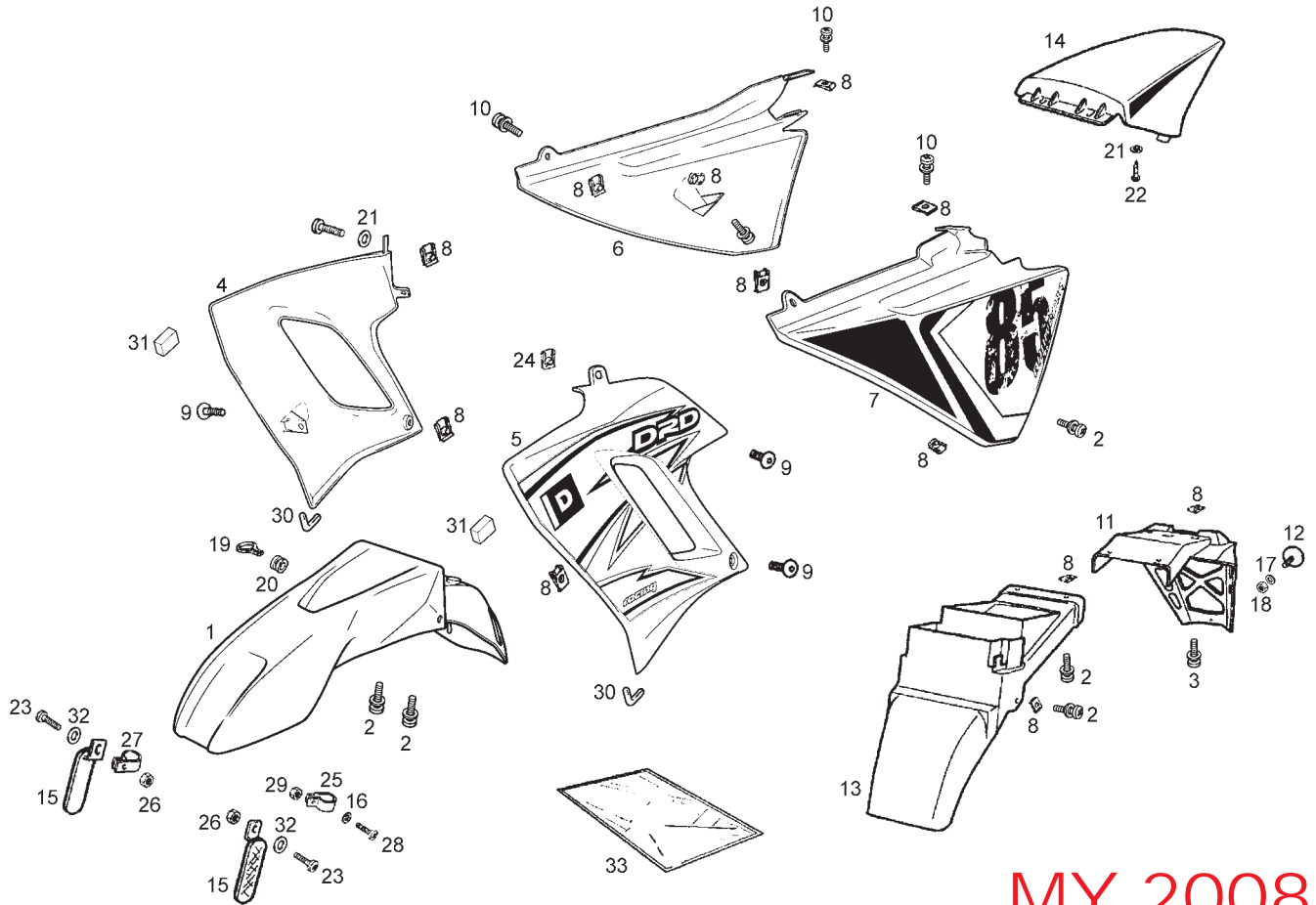


**PIEZAS CON CALCAS
PARTS WITH DECALS**

MY 2006

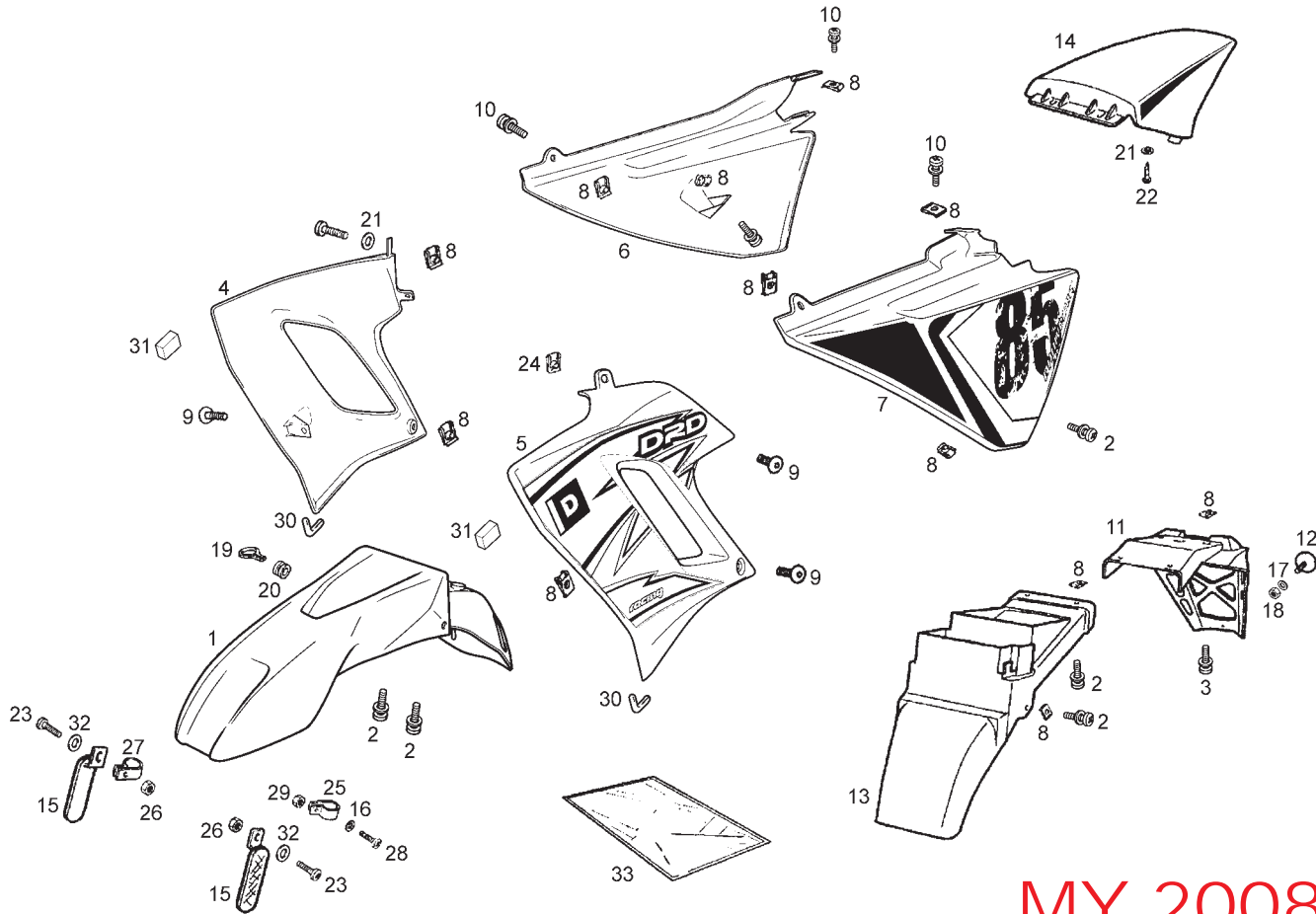
Fig.	Ver.	COD. KOD.	DESCRIPCIÓN DENOMINAZIONE NAME	BEZEICHNUNG DESIGNATION	MOD.	NOTAS NOTES NOTA MITSCHRIFT NOTES
30A		00H00502901	PERFIL TAPA DT.DR.DRD RACING PROTEZIONE RUBBER PROTECTOR	GUMMI PROTECTEUR	34	
31A		00H06300771	TOPE FERMO STOPPER	ANSCHLAG BUTEE	34	
32A		00031105000	ARANDELA RONDELLA WASHER	SCHEIBE RONDELLE	34	
33A		86248300WA3	JUEGO CALCAS DRD RACING AZUL'06 COMPL.ADESIVI DECALS ASSY	AUFKLEBERSATZ JEU ADHESIF	3	
33B		86248300WB1	JUEGO CALCAS DRD RACING BLANCA'06 COMPL.ADESIVI DECALS ASSY	AUFKLEBERSATZ JEU ADHESIF	4	

**PIEZAS CON CALCAS
PARTS WITH DECALS**



MY 2008

Fig.	Ver.	COD. KOD.	DESCRIPCIÓN DENOMINAZIONE NAME	BEZEICHNUNG DESIGNATION	MOD.	NOTAS NOTES NOTA MITSCHRIFT NOTES
01A		00H00721023	GUARDABARRO DELANTERO PARAFANGO ANTERIORE FRONT MUDGUARD ASSY	KOTFLUGEL VORN GARDE-BOUE AVANT RGE	5	
01B		00H00721021	GUARDABARRO DELANTERO PARAFANGO ANTERIORE FRONT MUDGUARD ASSY	KOTFLUGEL VORN GARDE-BOUE AVANT RGE	6	
02A		00H05900021	SCTO.TORNILLO 6M100X16 VITE SCREW	SCHRAUBE VIS	56	
03A		00012061200	SCTO.TORNILLO 6M100X12 VITE SCREW	SCHRAUBE VIS	56	
04A		86467300WN0	TAPA DELANTERA DERECHA COPERCHIO COVER	DECKEL COUVERCLE	5	
04B		86468600WB1	TAPA DELANTERA DERECHA COPERCHIO COVER	DECKEL COUVERCLE	6	
05A		86467600WN0	TAPA DELANTERA IZQUIERDA COPERCHIO COVER	DECKEL COUVERCLE	5	
05B		86468800WB1	TAPA DELANTERA IZQUIERDA COPERCHIO COVER	DECKEL COUVERCLE	6	
06A		86466900WN0	TAPA LATERAL DERECHA COPERCHIO COVER	DECKEL COUVERCLE	5	
06B		86466901WN0	TAPA LATERAL DERECHA COPERCHIO COVER	DECKEL COUVERCLE	6	
07A		86467100WN0	TAPA LATERAL IZQUIERDA COPERCHIO COVER	DECKEL COUVERCLE	5	

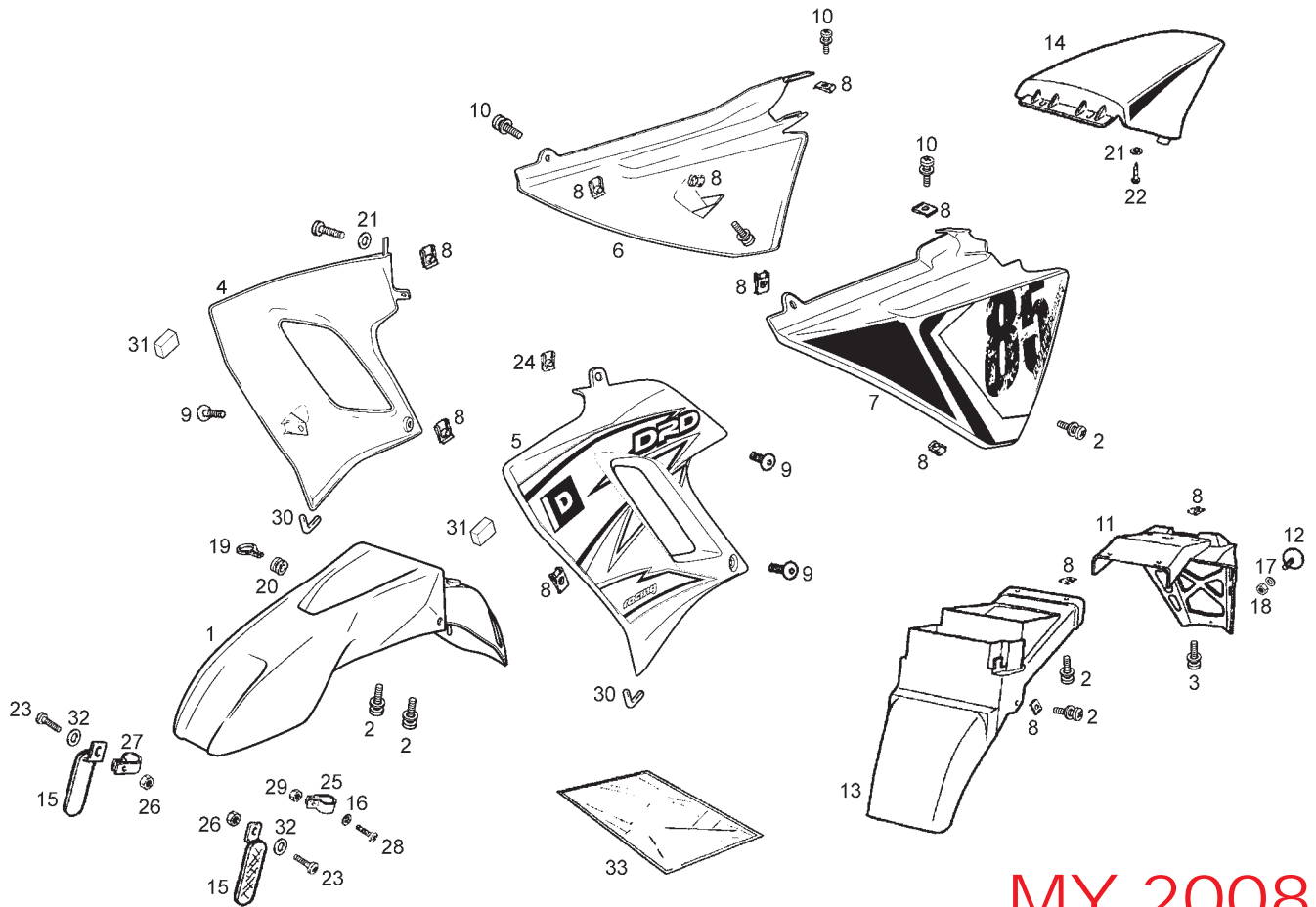


**PIEZAS CON CALCAS
PARTS WITH DECALS**

MY 2008

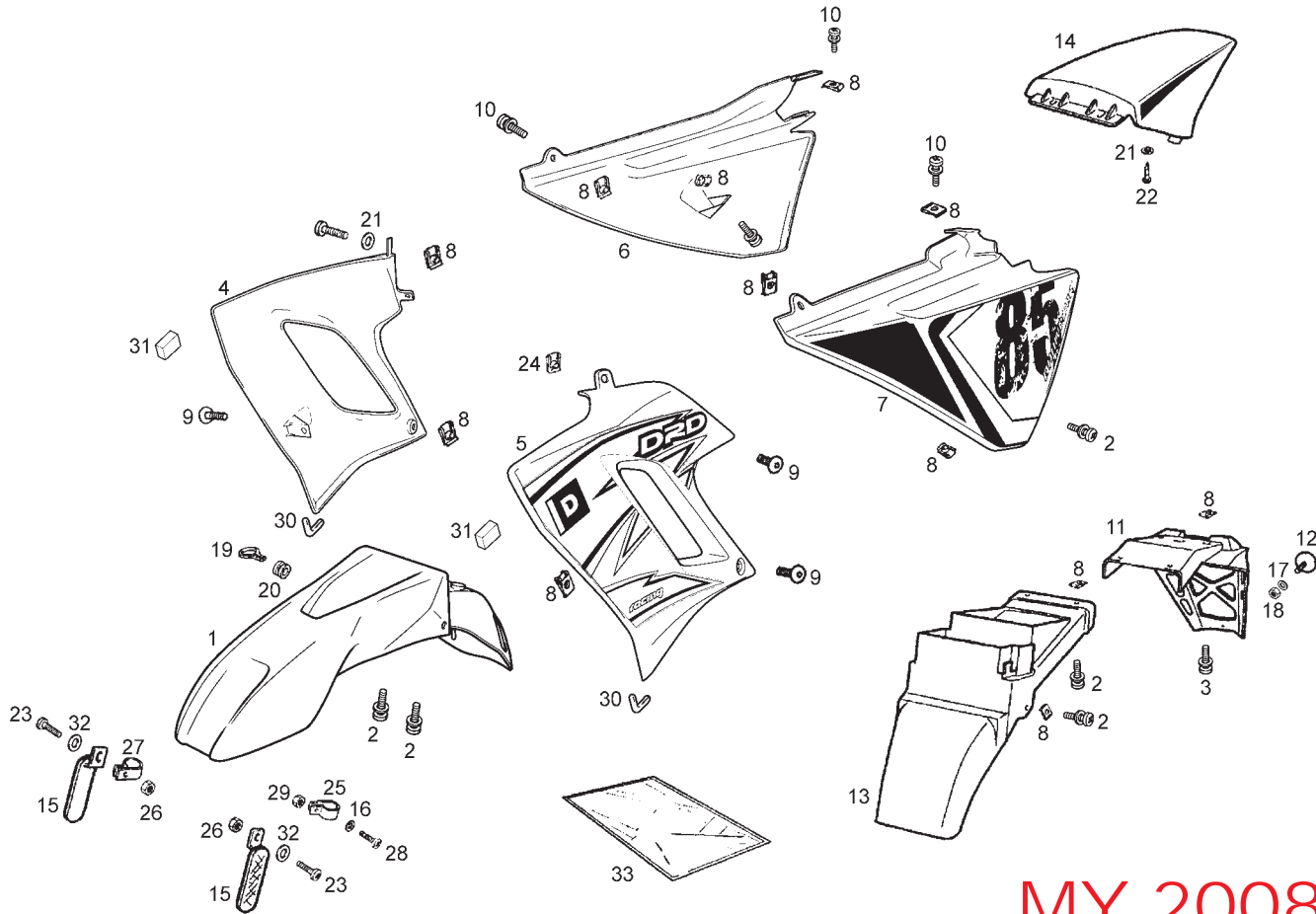
Fig.	Ver.	COD. KOD.	DESCRIPCIÓN DENOMINAZIONE NAME	BEZEICHUNG DESIGNATION	MOD.	NOTAS NOTES NOTA MITSCHRIFT NOTES
07B		86467101WN0	TAPA LATERAL IZQUIERDA COPERCHIO COVER	DECKEL COUVERCLE	6	
08A		00D01501371	TUERCA FIJACION D6 DADO NUT	MUTTER ECROU	56	
09A		00H01501701	TORNILLO FIJACION VITE SCREW	SCHRAUBE VIS	56	
10A		00F05900041	SCTO.TORNILLO 6M100X16 VITE SCREW	SCHRAUBE VIS	56	
11A		00H00718341	SUPLEMENTO GUARD. TRASERO SUPPLEMENTO PARAFANGO POST. SUPPLEM. REAR FENDER	ZUBEHOR STAUBFANGER HINTEN SUPL. GARDE BOUE AR.	56	
12A		00K05110651	CAPTAFAROS TRASERO ROJO CATARIFRANGENTE REFLECTOR	TRAHLER CATADIOPTRE	56	
13A		00H00705121	GUARDBARROS TRASERO PARAFANGO POSTERIORE REAR MUDGUARD	KOTFLUGEL HINTEN GARDE BOUE ARRIERE	56	
14A		86466600WN0	COLIN COLIN SELLINO SEAT BASE	KOTFLUGEL HINTEN DOSSERET SELLE	5	
14B		86466601WN0	COLIN COLIN SELLINO SEAT BASE	KOTFLUGEL HINTEN DOSSERET SELLE	6	
15A		00H01802081	CAPTAFAROS CATARIFRANGENTE REFLECTOR	TRAHLER CATADIOPTRE	56	
16A		00402060001	ARANDELA M6 RONDELLA WASHER	SCHEIBE RONDELLE	56	

**PIEZAS CON CALCAS
PARTS WITH DECALS**



MY 2008

Fig.	Ver.	COD. KOD.	DESCRIPCIÓN DENOMINAZIONE NAME	BEZEICHNUNG DESIGNATION	MOD.	NOTAS NOTES NOTA MITSCHRIFT NOTES
17A		00000031040	ARANDELA D4 RONDELLA WASHER	SCHEIBE RONDELLE	56	
18A		00000023040	TUERCA AUTOBLOCANTE D4 DADO NUT	MUTTER ECROU	56	
19A		00H02201591	GUIA CABLES FRENO GUIDA CAVI CABLE GUIAE	HALTER F. BEF. BREMSSCHLAU SOUS-EN.SUP.FIX.TUYAU FREIN	56	
20A		00D01500021	PASACABLES PORTACAVI GROMMET	GUMMI PASSE-CABLE	56	
21A		00000031050	ARANDELA D5 RONDELLA WASHER	SCHEIBE RONDELLE	56	
22A		00011051401	TORNILLO AUTOROSCANTE.5,1X14 VITE SCREW	SCHRAUBE VIS	56	
23A		00012152000	TORNILLO 5M80X20 VITE SCREW	SCHRAUBE VIS	56	
24A		00G04401462	TUERCA FIJACION D5 DADO NUT	MUTTER ECROU	56	
25A		00H01501811	BRIDA BRIGLIA BRIDLE	ZÜGEL BRIDE	56	
26A		00000023051	TUERCA AUTOBLOCANTE 5M80 DADO NUT	MUTTER ECROU	56	
27A		00H01501811	BRIDA BRIGLIA BRIDLE	ZÜGEL BRIDE	56	



**PIEZAS CON CALCAS
PARTS WITH DECALS**

MY 2008

Fig.	Ver.	COD. KOD.	DESCRIPCIÓN DENOMINAZIONE NAME	BEZEICHNUNG DESIGNATION	MOD.	NOTAS NOTES NOTA MITSCHRIFT NOTES
28A		00002062511	TORNILLO C/ALLEN 6M100X25 VITE SCREW	SCHRAUBE VIS	56	
29A		00000023060	TUERCA AUTOBLOC. 6M100 DADO NUT	MUTTER ECROU	56	
30A		00H00502901	PERFIL TAPA DT.DR.DRD RACING PROTEZIONE RUBBER PROTECTOR	GUMMI PROTECTEUR	56	
31A		00H06300771	TOPE FERMO STOPPER	ANSCHLAG BUTEE	56	
32A		00031105000	ARANDELA RONDELLA WASHER	SCHEIBE RONDELLE	56	
33A		864944	JUEGO CALCAS DRD RACING NEGRA'08 COMPL.ADESIVI DECALS ASSY	AUFKLEBERSATZ JEU ADHESIF	5	
33B		864945	JUEGO CALCAS DRD RACING BLANCA'08 COMPL.ADESIVI DECALS ASSY	AUFKLEBERSATZ JEU ADHESIF	6	

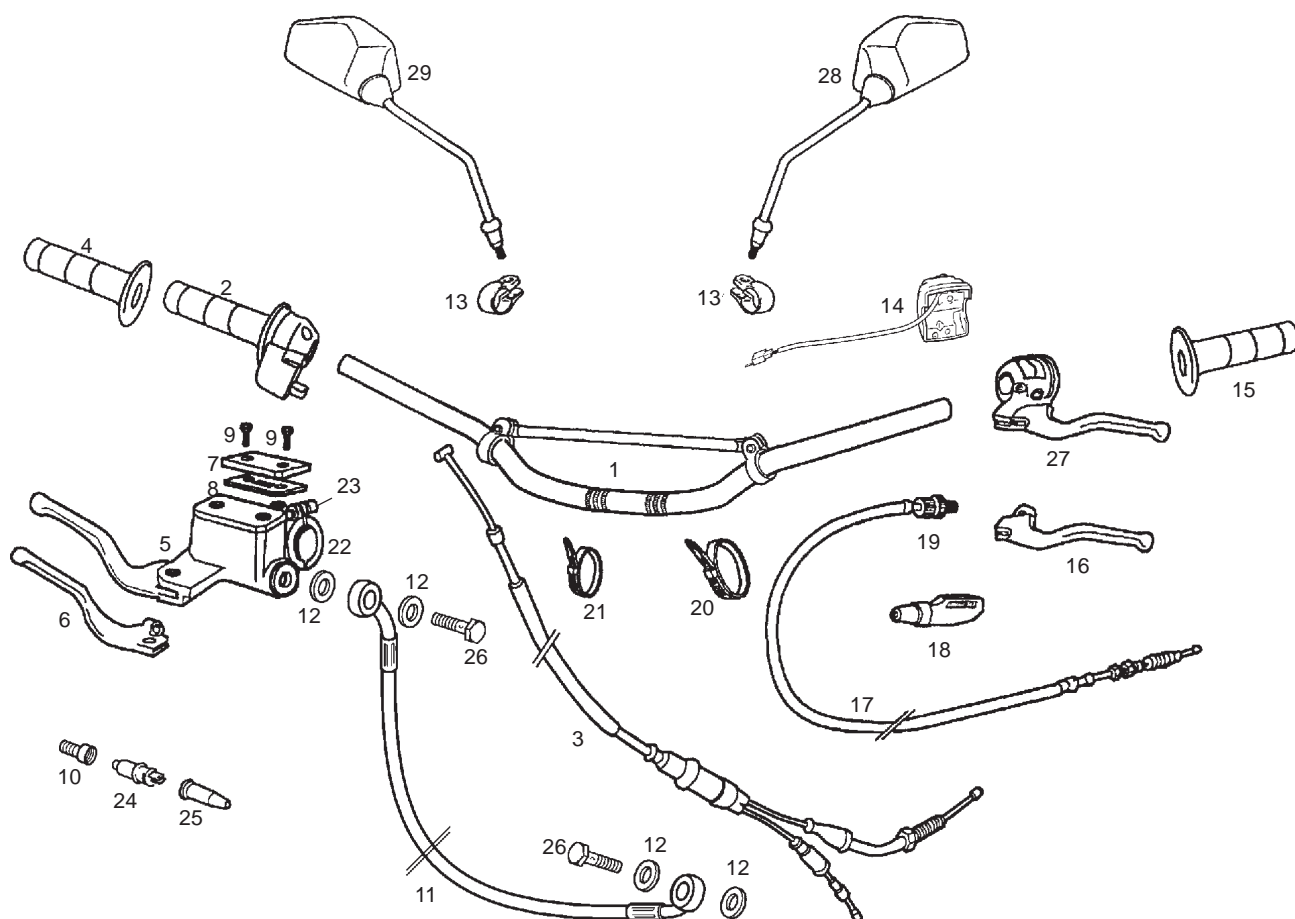


Fig.	Ver.	COD. KOD.	DESCRIPCIÓN DENOMINAZIONE NAME	BEZEICHUNG DESIGNATION	MOD.	NOTAS NOTES NOTA MITSCHRIFT NOTES
01A		00H00906013	MANILLAR MANUBRIO HANDLEBAR ASSY	LENKER GUIDON	1 2 3 4 6	
01B		00H00906012	MANILLAR MANUBRIO HANDLEBAR ASSY	LENKER GUIDON	5	
02A		00H02101621	CTO. PUÑO GAS MANOPOLA ACCELERATOR THROTTLE GRIP ASSEMBLY	GASGRIF POIGNE	1 2 3 4 5 6	
03A		00H00931171	CTO. CABLE-FUNDA GAS CAVO-FODERO ACCELERA TRHOTTLE CABLE	GASKABEL GAINE ET CABLE DE GAZ	1 2 3 4 5 6	
04A		00H00930091	R-EMPUÑADURA GAS R-MANOPOLA GRIP, THROTTLE	GRIF CAOUT.DE PIGNEE GAZ	1 2 3 4 5 6	
05A		00H02105082	R-CTO. MANDO FRENO DTRO. R-COMANDO FRENO FRONT BRAKE LEVER/MASTER CYLIN	REP.-SATZ F. PUMPE R-ENSEM.KIT REPAR. POMPE SE	1 2 3 4 5 6	
06A		00H00906203	R-MANETA FRENO LEVA FRENO BRAKE LEVER	BREMSHEBEL KOMPL. MANETE DU FREIN AVANT	1 2 3 4 5 6	
07A		00H02100191	R-TAPA DEPOSITO LIQ. FRENO COPERCHIO SERBATOIO LIQUIDO BRAKE FLUID RESERVOIR CAP	BREMSFLUESSIGKEITSBEHAELTE R-COUV.RESER.LIQ.FREIN AVAN	1 2 3 4 5 6	
08A		00H02100861	R-JUNTA TAPA DEPOSITO GUARNIZIONE SEAL	BREMSCECKELDICHTUNG R-JOINT	1 2 3 4 5 6	
09A		00014041200	TORNILLO C/CRUZ 4M80X12 VITE SCREW	SCHRAUBE VIS	1 2 3 4 5 6	
10A		00H00900871	CASQUILLO FIJ. INTERRUPTOR STOP BRONZINA BUSHING	BUCHSE ENTRETOISE	1 2 3 4 5 6	

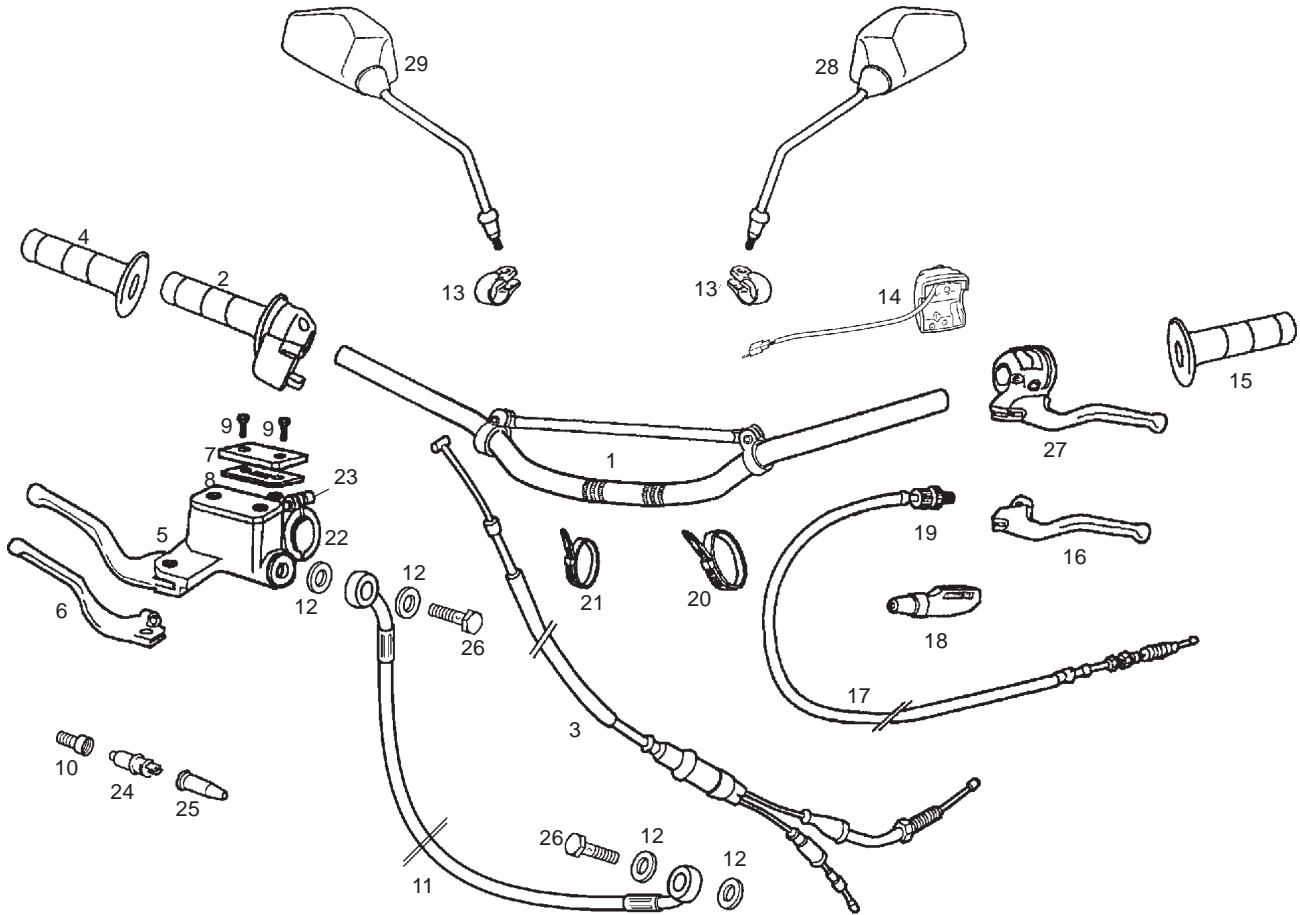


Fig.	Ver.	COD. KOD.	DESCRIPCIÓN DENOMINAZIONE NAME	BEZEICHNUNG DESIGNATION	MOD.	NOTAS NOTES NOTA MITSCHRIFT NOTES
11A		00H00919751	SCTO. TUBO LIQUIDO FRENO DT TUBO LIQ.FRENO BRAKE FLUID TUBE	BREMSSSCHLAUCH FLEXIBLE DE FREIN AVANT	1 2 3 4 5 6	
12A		00006321040	ARANDELA JUNTA RACORD RONDELLA WASHER	SCHEIBE RONDELLE	1 2 3 4 5 6	
13A		00H02200681	BRIDA BRIGLIA BRIDLE	ZÜGEL BRIDE	1 2 3 4 5 6	
14A		00H02305381	CTO. CONMUTADOR LUCES C/C CONMUTATORE LUCI SWITCH	LICHTSCHALTER INVERSEUR AVEC CABLE	1 2 3 4 5 6	
15A		00H00930071	R-EMPUÑADURA R-MANOPOLA GRIP	GRIF POIGNE	1 2 3 4 5 6	
16A		00H00903291	R-MANETA EMBRAGUE LEVA FRIZIONE CLUTCH LEVER	KUPPLUNGSHABEL LEVIER EMBRAYAGE	1 2 3 4 5 6	
17A		00H00917301	SCTO. CABLE FUNDA-EMBRAGUE CAVO-GUAINA FRIZIONE CLUTCH CABLE	KUPPLUNGZUG GAINE ET CABLE DIEMBRAYAGE	1 2 3 4 5 6	
18A		00H02101011	PROTECTOR MANETA EMBRAGUE PROTEZIONE LEVA FRIZIONE SD- CLUTCH LEVER PROTECTOR	GUMMIKAPPE PROTEGE LEVIER EMBRAY.	1 2 3 4 5 6	
19A		00F00920551	R-CTO TENSOR CABLE EMBRAGUE TENSORE CABO CLUTCH CABLE TIGHTENING DEVICE	SHELLE COLLIER FIX ELIERIE	1 2 3 4 5 6	
20A		00F00900531	BRIDA BRIGLIA BRIDLE	ZÜGEL BRIDE	1 2 3 4 5 6	
21A		00D00900531	BRIDA BRIGLIA BRIDLE	ZÜGEL BRIDE	1 2 3 4 5 6	

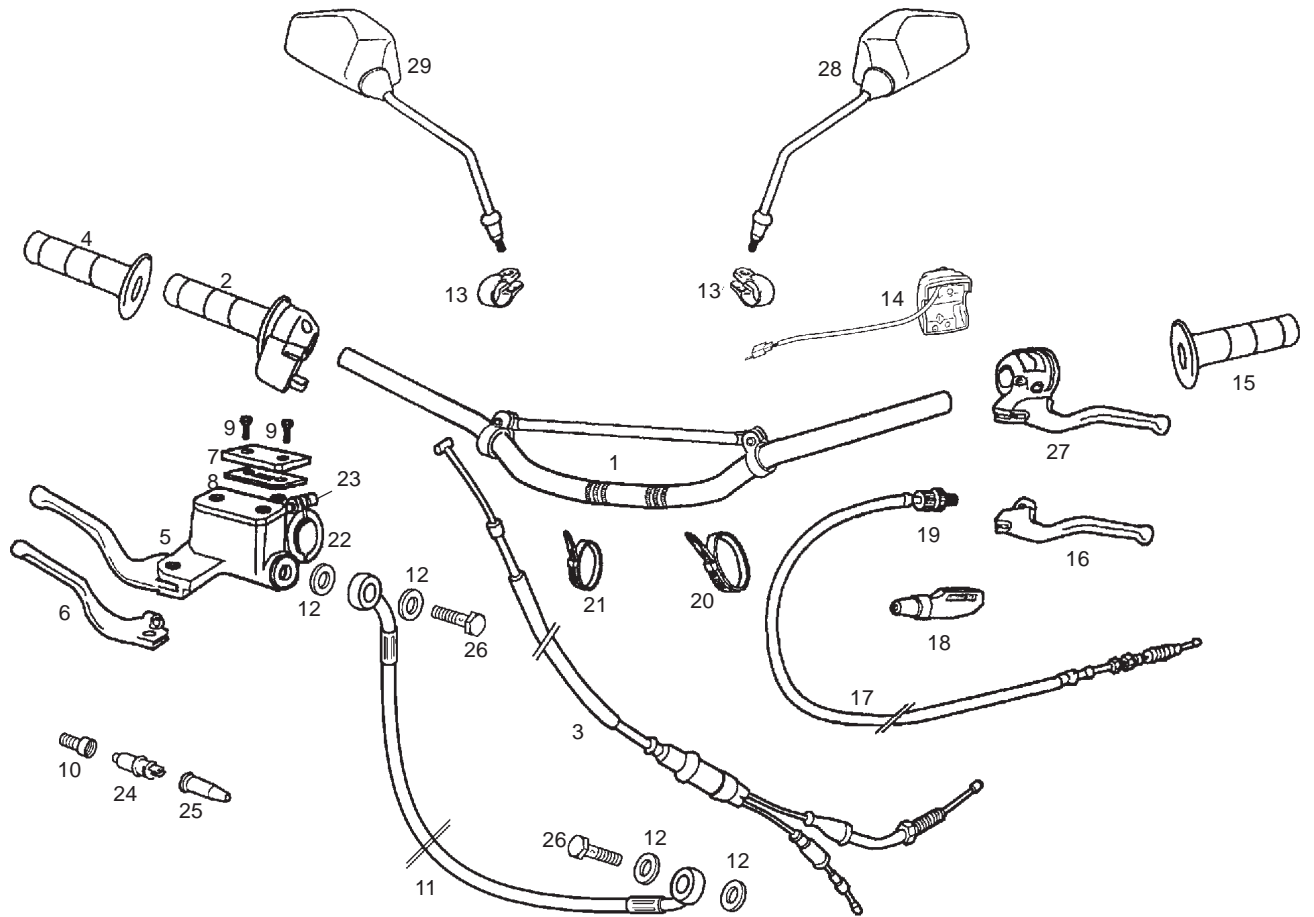


Fig.	Ver.	COD. KOD.	DESCRIPCIÓN DENOMINAZIONE NAME	BEZEICHUNG DESIGNATION	MOD.	NOTAS NOTES NOTA MITSCHRIFT NOTES
22A		00H02100901	R-BRIDA FIJACION MANDO FRENO DT BRIDA CLAMP	BEF.-SCHELLE ENTRETOISE	1 2 3 4 5 6	
23A		00002051251	TORNILLO FIJACION BRIDA 5M80X12 VITE SCREW	SCHRAUBE VIS	1 2 3 4 5 6	
24A		00D01000701	INTERRUP.MANDO STOP. INTERRUPTORE STOP SWITCH, STOP LIGHT	STOPCHALTER VO. INTERRUPTEUR COMMANDE STOP	1 2 3 4 5 6	
25A		00005010760	CAPUCH.INTERRUP.STOP.NG. CAPPuccio INTERRUttORE STOP NE RUBBER COVER,STOP LIGHT SWITCH	GUMMISCHUTZ STOPLICHTSCHAL CAPUCHON	1 2 3 4 5 6	
26A		00006309260	RACORD TUBO HIDRAULICO RACCORDO RACCORD	STUTZEN HIDRAULIKLEITUNG RACCORD	1 2 3 4 5 6	
27A		00H02105612	CTO. PORTAMANETA IZQUIERDO PORTAMANOPOLA SINIST LEFT LEVER BRACKET	BREMSHEBEL LINKS KOMPLETT ENS. PORTE-MANETTE GAUCHE	1 2 3 4 5 6	
28A		00G04613921	CTO. ESPEJO RETROVISOR SPECCHIO REAR MIRROR	SPIEGEL MIRROIR RETROVISEUR	1 2 3 4 5 6	
29A		00H02207671	CTO. ESPEJO RETROVISOR SPECCHIO REAR MIRROR	SPIEGEL MIRROIR RETROVISEUR	1 2 3 4 5 6	

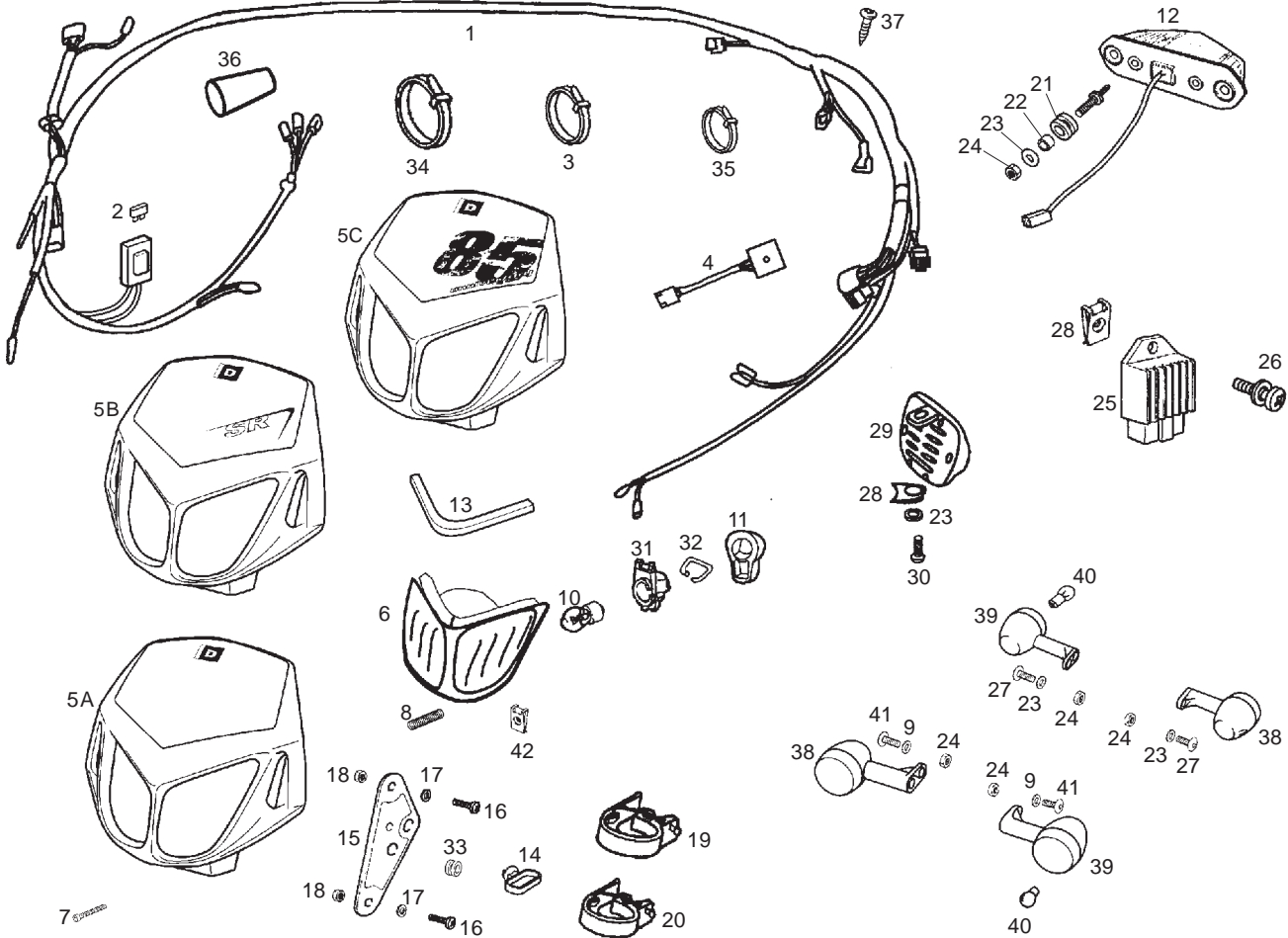


Fig.	Ver.	COD. KOD.	DESCRIPCIÓN DENOMINAZIONE NAME	BEZEICHUNG DESIGNATION	MOD.	NOTAS NOTES NOTA MITSCHRIFT NOTES
01A		00H01047301	CTO. INSTALACION ELECTRICA COMPLESSO IMPIANTO ELETTRICO ELECTRICAL INSTALATIONS ASSY.	KOBELBAUM FAISCEAU ELECTRIQUE	1 2 3 4	UNTIL FRAME 6H330320
01B		86107R	CTO. INSTALACION ELECTRICA COMPLESSO IMPIANTO ELETTRICO ELECTRICAL INSTALATIONS ASSY.	KOBELBAUM FAISCEAU ELECTRIQUE	1 2 3 4 5 6	SINCE FRAME 6H330321
02A		00H01001911	FUSIBLE 7,5 AMP FUSIBILE FUSE	FUSE FUSIBLE	1 2 3 4 5 6	
03A		00D00900531	BRIDA 200 X 3,6 BRIGLIA BRIDLE	ZÜGEL BRIDE	1 2 3 4 5 6	
04A		00H05700481	CTO. TEMPORIZADOR CHECK TEMPORIZZATORE CHECK INP. CHECK INDICATOR	ZEITSCHALTER FAISCEAU COMPTEUR	1 2 3 4 5 6	
05A		00H02239371	CARCASA FARO DELANTERO COPERCHIO FANALE HEADLIGHT CUSING	SCHEINWERFERVERKLEIDUNG PLAQUE PHARE	1 2	
05B		86247300WN0	CARCASA FARO DELANTERO COPERCHIO FANALE HEADLIGHT CUSING	SCHEINWERFERVERKLEIDUNG PLAQUE PHARE	3 4	
05C		86466400WN0	CARCASA FARO DELANTERO COPERCHIO FANALE HEADLIGHT CUSING	SCHEINWERFERVERKLEIDUNG PLAQUE PHARE	5 6	
06A		00H01013011	CTO. FARO DELANTERO FARO ANTERIORE HEADLIGHT LENS	SCHEINWERFER OPTIQUE COMPLETE	1 2 3 4 5 6	
07A		00012045000	TORNILLO REGULACION FARO VITE SCREW	SCHRAUBE VIS	1 2 3 4 5 6	

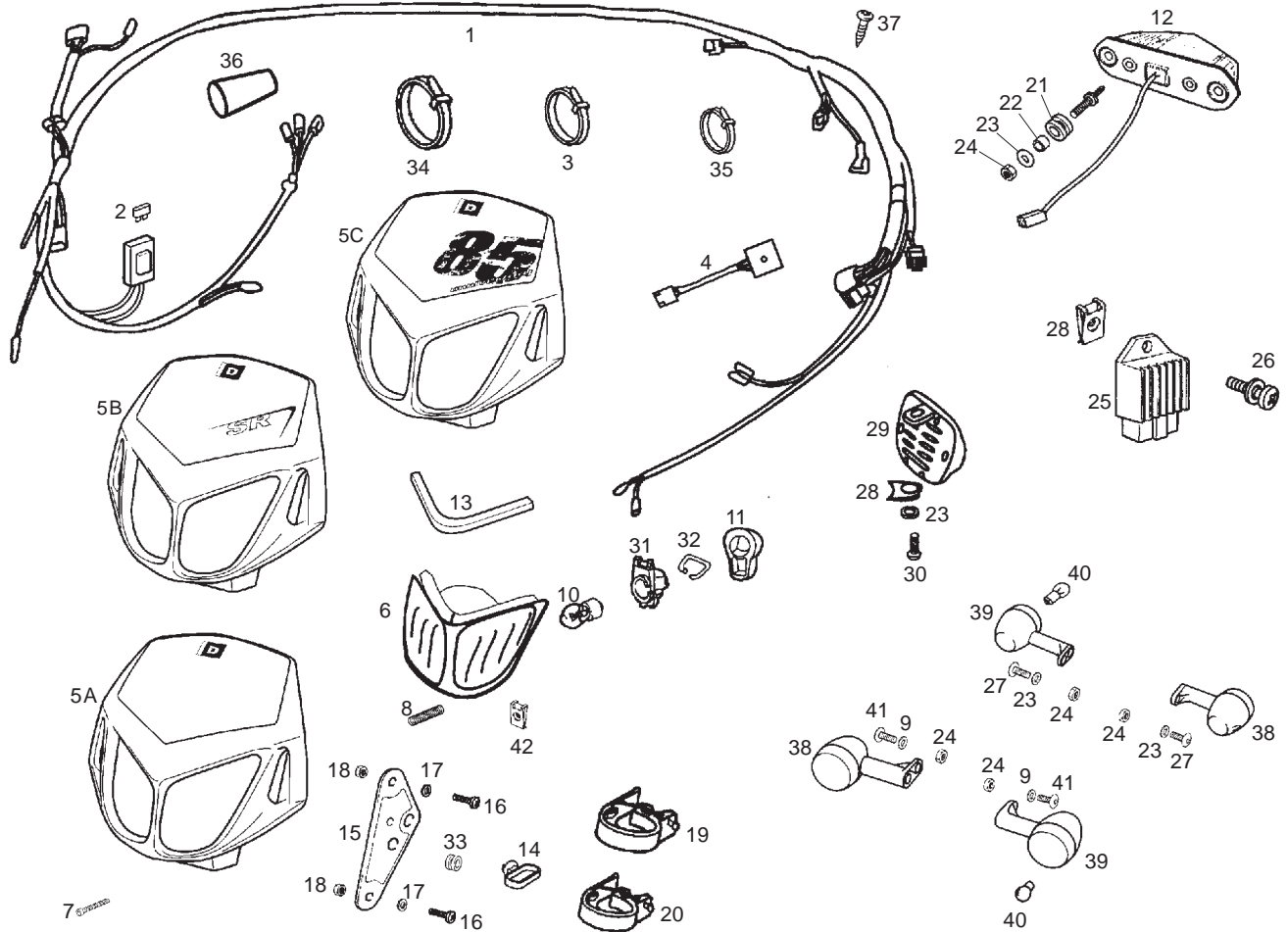


Fig.	Ver.	COD. KOD.	DESCRIPCIÓN DENOMINAZIONE NAME	BEZEICHUNG DESIGNATION	MOD.	NOTAS NOTES NOTA MITSCHRIFT NOTES
08A		00H02304501	MUELLE REGULACION FARO MOLLA SPRING	FEDER RESSORT	1 2 3 4 5 6	
09A		00031106000	ARANDELA PLANA D6 RONDELLA WASHER	SCHEIBE RONDELLE	1 2 3 4 5 6	
10A		00H01000131	LAMPARA FARO.12V.35/35W. LAMPADA HEADLIGHT BULB	SCHEINWERFERLAMPE TUBE PHARE	1 2 3 4 5 6	
11A		00H05703141	R-PROTECTOR PORTALAMPARAS R-PROTEZIONE HEADLAMP BULB HOLDER	LAMPENDECKEL R-PROT.PORTE-LAMPES PHARE F	1 2 3 4 5 6	
12A		00H01009321	CTO.FARO PILOTO FANALINO POSTERIORE TAIL LIGHT ASSY	RUCKLIGHT FEU ARRIERE	1 2 3 4 5 6	
13A		00H05700101	TOPE FARO FERMO FARO HEADLIGHT STOP	ANSCHLAG SCHEINWERFER BUTEE PHARE	1 2 3 4 5 6	
14A		00F02201591	GUIA CABLES GUIDA CAVI CABLE GUIAE	HALTER F. BEF. FIX.TUYAU	1 2 3 4 5 6	
15A		00H01503741	SOPORTE CARCASA FARO SUPPORTO HEADLIGHT CUSING SUPPORT	HALTERUNG SUPPORT	1 2 3 4 5 6	
16A		00012051200	TORNILLO VITE SCREW	SCHRAUBE VIS	1 2 3 4 5 6	
17A		00D02600631	ARANDELA RONDELLA WASHER	SCHEIBE RONDELLE	1 2 3 4 5 6	

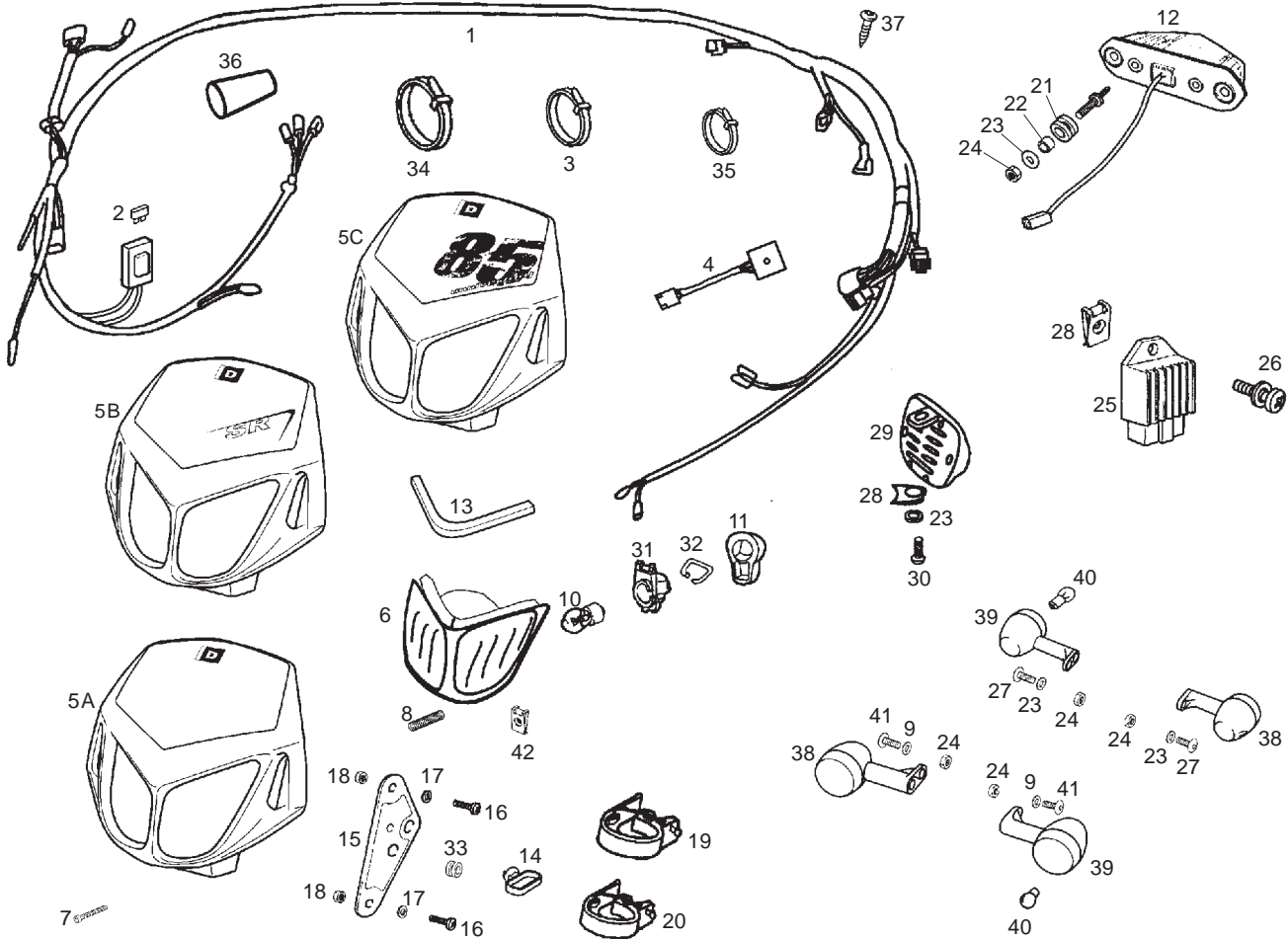


Fig.	Ver.	COD. KOD.	DESCRIPCIÓN DENOMINAZIONE NAME	BEZEICHUNG DESIGNATION	MOD.	NOTAS NOTES NOTA MITSCHRIFT NOTES
18A		00026005000	TUERCA DADO NUT	MUTTER ECROU	1 2 3 4 5 6	
19A		00H04605841	BRIDA BRIGLIA BRIDLE	ZÜGEL BRIDE	1 2 3 4 5 6	
20A		00H04603841	BRIDA BRIGLIA BRIDLE	ZÜGEL BRIDE	1 2 3 4 5 6	
21A		00008915020	PASACABLE PORTACAVI GROMMET	GUMMI PASSE-CABLE	1 2 3 4 5 6	
22A		00D01500471	CASQUILLO BRONZINA BUSHING	BUCHSE ENTRETOISE	1 2 3 4 5 6	
23A		00D01200171	ARANDELA RONDELLA WASHER	SCHEIBE RONDELLE	1 2 3 4 5 6	
24A		00000023060	TUERCA AUTOBLOC. 6M100 DADO NUT	MUTTER ECROU	1 2 3 4 5 6	
25A		864660	REGULADOR REGULATORE TENSIONE REGULATOR	SPANNUNGSREGLER REGULATEUR AC/DC	1 2 3 4 5 6	
26A		00D05900081	SCTO. TORNILLO 6M100X16 VITE SCREW	SCHRAUBE VIS	1 2 3 4 5 6	
27A		00008061500	TORNILLO C/RED.ALLEN 6M100X16 VITE SCREW	SCHRAUBE VIS	1 2 3 4 5 6	

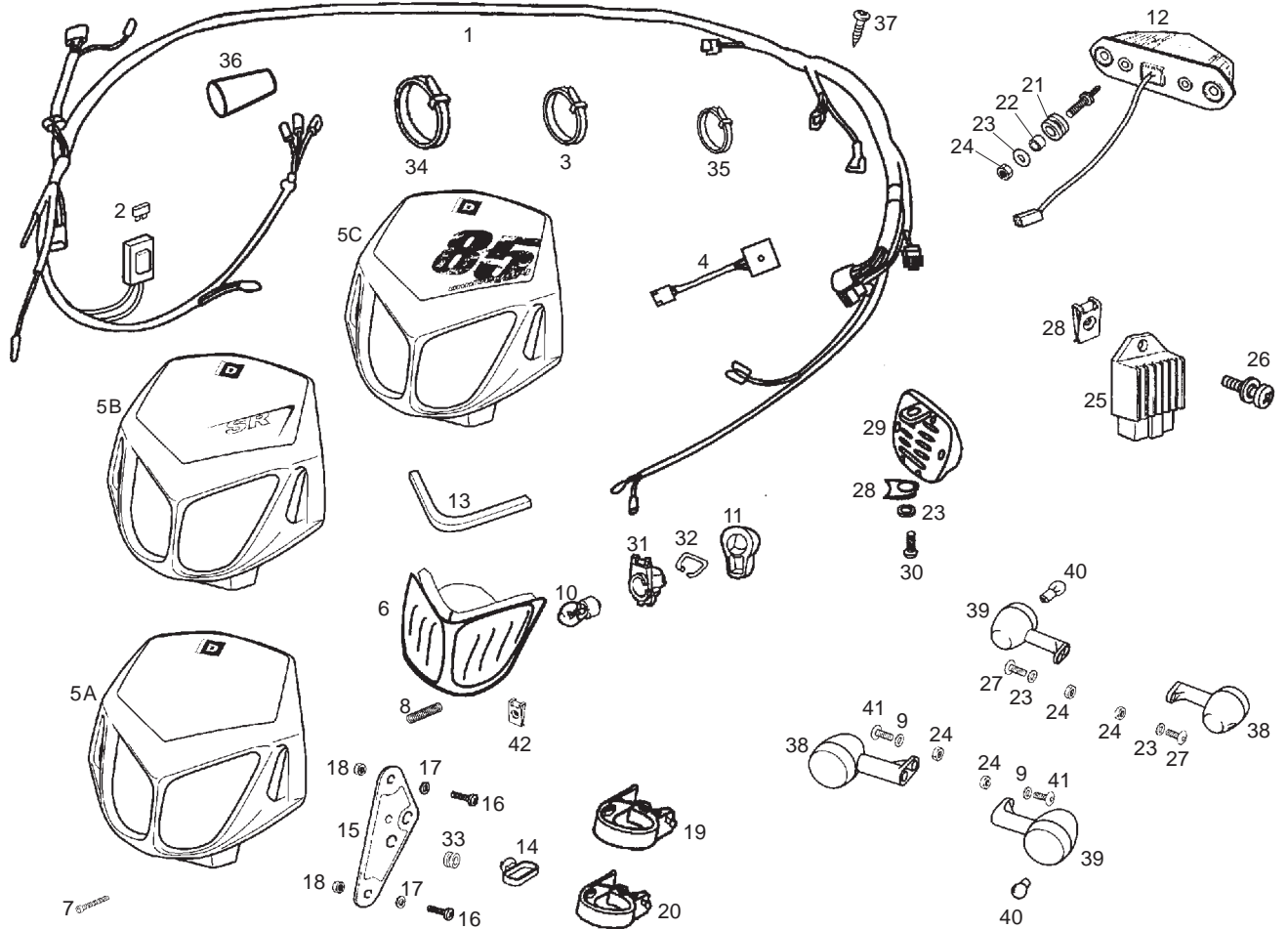


Fig.	Ver.	COD. KOD.	DESCRIPCIÓN DENOMINAZIONE NAME	BEZEICHUNG DESIGNATION	MOD.	NOTAS NOTES NOTA MITSCHRIFT NOTES
28A		00D01501371	TUERCA FIJACION D6 DADO NUT	MUTTER ECROU	1 2 3 4 5 6	
29A		00H01005311	CTO.CLAXON CLACSON HORN ASSEMBLY	HUPE KLAXON	1 2 3 4 5 6	
30A		00012061200	TORNILLO C/R.CR.6M100X12 VITE SCREW	SCHRAUBE VIS	1 2 3 4 5 6	
31A		00003710110	R-PORTALAMPARAS PORTA-LAMPADE BULB HOLDER	LAMPENHALTER R-PORTE-LAMPES	1 2 3 4 5 6	
32A		00003710120	R-MUELLE PORTLAMPARAS R- MOLLA SPRING	LAMPENHALTER R-RESSORT	1 2 3 4 5 6	
33A		00H05701061	PASACABLE S PORTACAVI GROMMET	GUMMI PASSE-CABLE	1 2 3 4 5 6	
34A		00F00900531	BRIDA 290 X 4,8 BRIGLIA BRIDLE	ZÜGEL BRIDE	1 2 3 4 5 6	
35A		00D00900531	BRIDA 140 X 3,6 BRIGLIA BRIDLE	ZÜGEL BRIDE	1 2 3 4 5 6	
36A		00H02300961	PROTECTOR CONEXIONES PROTEZIONE PROTECTOR	ABDECKUNG PROTECTEUR	1 2 3 4 5 6	
37A		00011061300	TORNILLO AUTR.C/CRUZ.6,3X13 VITE SCREW	SCHRAUBE VIS	1 2 3 4 5 6	

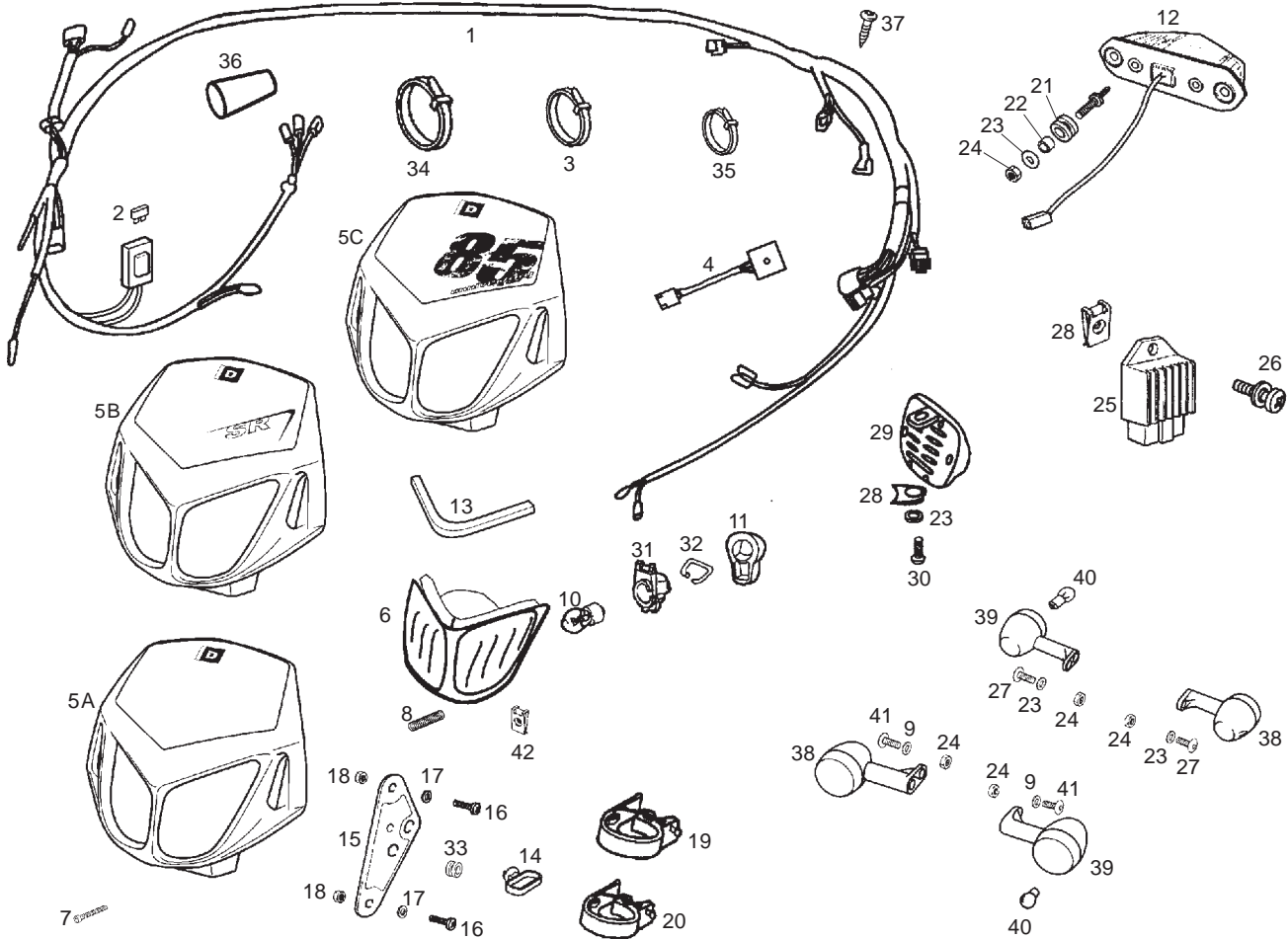


Fig.	Ver.	COD. KOD.	DESCRIPCIÓN DENOMINAZIONE NAME	BEZEICHNUNG DESIGNATION	MOD.	NOTAS NOTES MITSCHRIFT NOTES
38A		00H01704311	CTO.FARO INTTE. DELANTERO DR. INDIC. DIREZIONE FRONT RH TURN SIGNAL LIGHT	BLINKER CLIGNOTANTS	1 2 3 4 5 6	
39A		00H01706021	CTO.FARO INTTE. DELANTERO IZ. INDIC. DIREZIONE FRONT LH TURN SIGNAL LIGHT	BLINKER CLIGNOTANTS	1 2 3 4 5 6	
40A		00H01701011	LAMPARA LAMPADA BULB	LAMPE TUBE PHARE	1 2 3 4 5 6	
41A		00008063000	TORNILLO C/RED.ALLEN 6M100X30 VITE SCREW	SCHRAUBE VIS	1 2 3 4 5 6	
42A		00G04401462	TUERCA FIJACION D5 DADO NUT	MUTTER ECROU	1 2 3 4 5 6	

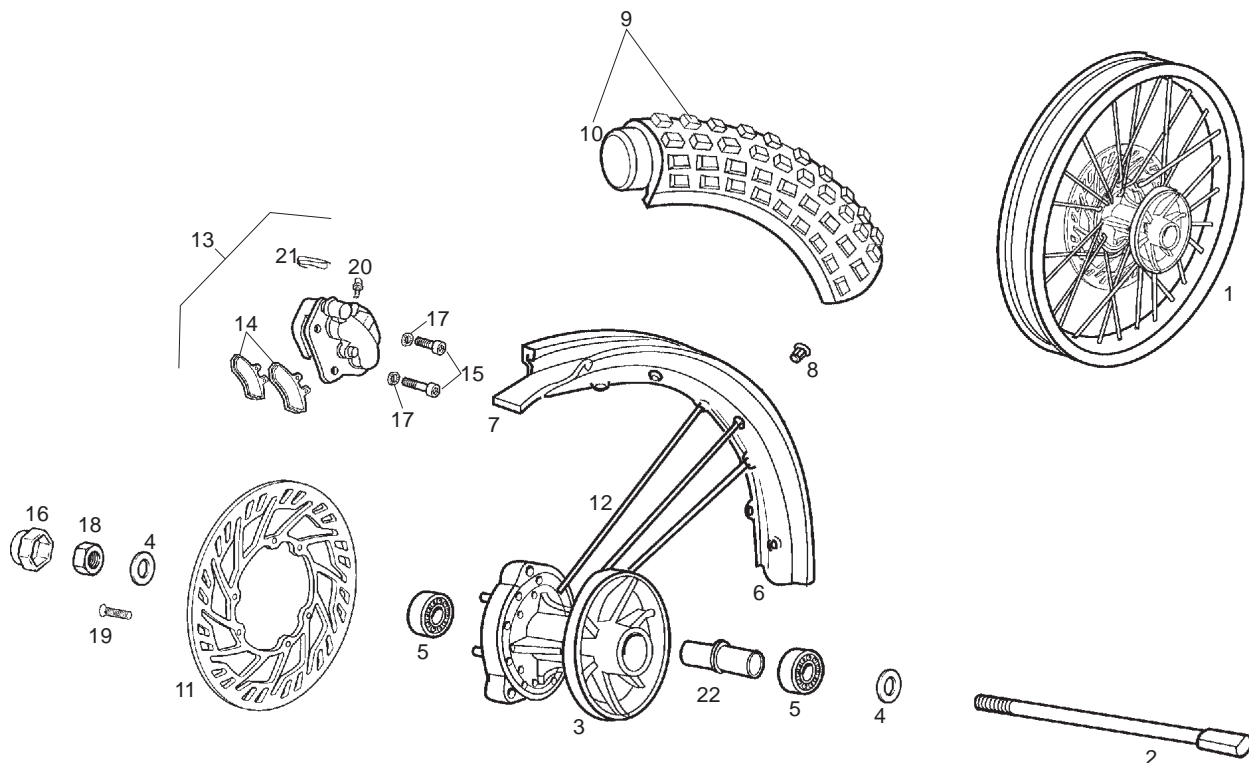


Fig.	Ver.	COD. KOD.	DESCRIPCIÓN DENOMINAZIONE NAME	BEZEICHUNG DESIGNATION	MOD.	NOTAS NOTES NOTA MITSCHRIFT NOTES
01A		00H04722082	CTO RUEDA DT C/DISCO AZUL R-COMPL. RUOTA C/DISCO FRONT WHEEL W/DISC	VORDERRAD M/BREMSSCHEIBE ROUE AVEC DISQUE	1 2 3 4	
01B		864940	CTO RUEDA DT C/DISCO NEGRA R-COMPL. RUOTA C/DISCO FRONT WHEEL W/DISC	VORDERRAD M/BREMSSCHEIBE ROUE AVEC DISQUE	5 6	
01C		00H04722082	CTO RUEDA DT C/DISCO AZUL R-COMPL. RUOTA C/DISCO FRONT WHEEL W/DISC	VORDERRAD M/BREMSSCHEIBE ROUE AVEC DISQUE	6	ONLY AUSTRIA
02A		00H01202271	EJE RUEDA DTRA. ASSE RUOTA ANTERIORE AXLE FRONT WHEEL	VORDERRADACHSE AXE DE ROUE AV.	1 2 3 4 5 6	
03A		00H01204714	CTO. CARRETE DELANTERO MOZZO HUB	RADNABE MOYEU	1 2 3 4 5 6	
04A		00032015000	ARANDELA PLANA D15 RONDELLA WASHER	SCHEIBE RONDELLE	1 2 3 4 5 6	
05A		00058020200	COJINETE CUSCINETTO BEARING	LAGER COUSSINET	1 2 3 4 5 6	
06A		00H01209083	LLANTA RUEDA DELANTERA AZUL CERCHIONE ANTERIORE FRONT WHEEL RIM	VORDERRADFELGE JANTE AV.	1 2 3 4	
06B		00H01209081	LLANTA RUEDA DELANTERA NEGRA CERCHIONE ANTERIORE FRONT WHEEL RIM	VORDERRADFELGE JANTE AV.	5 6	
06C		00H01209083	LLANTA RUEDA DELANTERA AZUL CERCHIONE ANTERIORE FRONT WHEEL RIM	VORDERRADFELGE JANTE AV.	6	ONLY AUSTRIA
07A		00D01201091	PROTECTOR CAMARA PROTETTORE CAMERA RIM STRIP	FELGELBAND PROTECTEUR DE CHAMBRE A AIR	1 2 3 4 5 6	

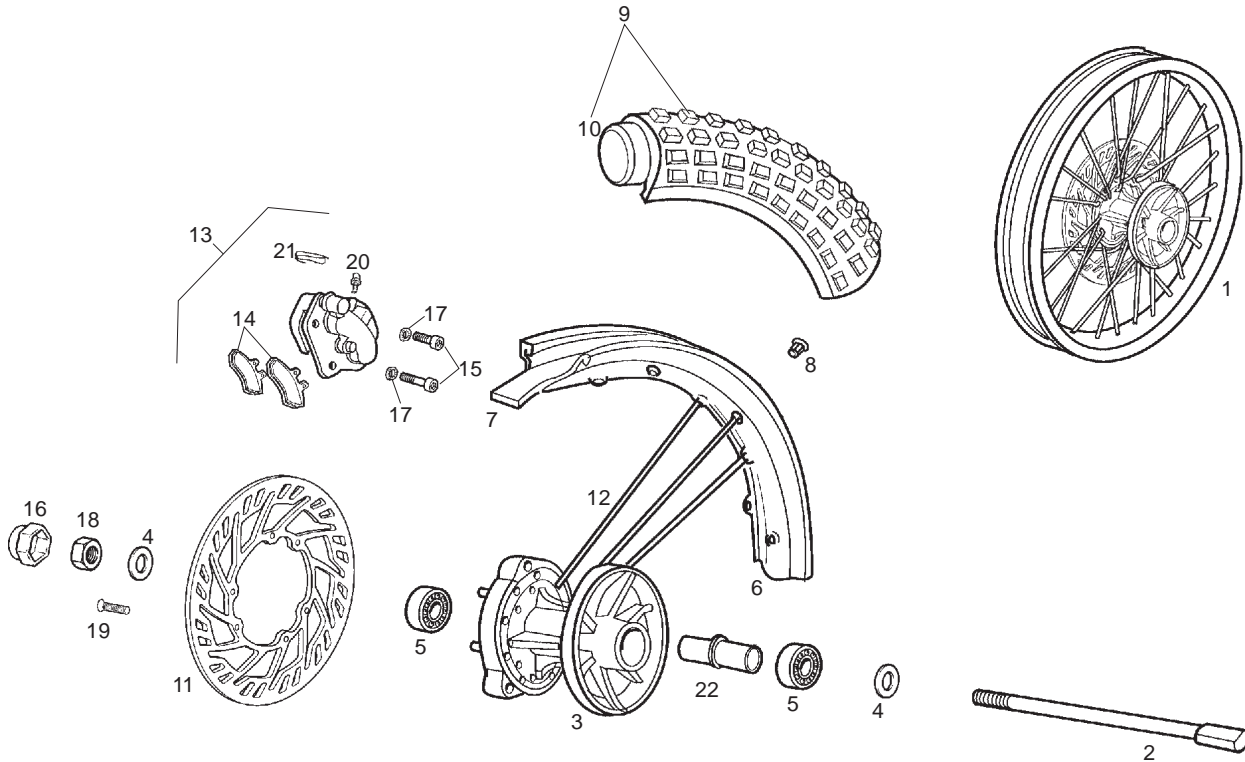


Fig.	Ver.	COD. KOD.	DESCRIPCIÓN DENOMINAZIONE NAME	BEZEICHNUNG DESIGNATION	MOD.	NOTAS NOTES NOTA MITSCHRIFT NOTES
08A		00002212070	TUERCA RADIO DADO NUT	MUTTER ECROU	1 2 3 4 5 6	
09A		00H01219111	CTO. CUBIERTA DT 90/90-21" COPERTONE TYRE	REIFEN PNEU	1 2 3 4 5 6	
10A		00H01206101	CAMARA CAMERA D'ARIA FRONT TUBE	SCHLAUCH VORNE CHAMBRE A AIR	1 2 3 4 5 6	
11A		00H01222021	DISCO FRENO DELANTERO DISCO FRENO ANTERIORE FRONT BRAKE DISC	SCHEIBE NBREMSE VORN DISQUE FREIN AVANT	1 2 3 4 5 6	
12A		00H01206061	RADIO RUEDA DELANTERO RAGGIO RUOTA ANT. WHEEL ARM.	SPEICHE RAYON DE ROUE	1 2 3 4 5 6	
13A		00H01208191	R-CTO PINZA FRENO PINZA LEFT-HAND FRONT CLIP	BREMSZANGE ENS. ETRIER DE FREIN	1 2 3 4 5 6	
14A		00H04703141	JUEGO PASTILLAS DE FRENO CONG. PASTIGLIE FRENO SET OF BRAKE PADS	DIE GESAMTHEIT BREMSBACKEN ENS. PLAQUETTE DE FREIN	1 2 3 4 5 6	
15A		00002083001	TORNILLO 8M125X30 VITE SCREW	SCHRAUBE VIS	1 2 3 4 5 6	
16A		00H01201331	PROTECTOR TUERCA PROTEZIONE PROTECTOR	ABDECKUNG PROTECTEUR	1 2 3 4 5 6	
17A		00034000802	ARANDELA ESTRELL. INT. D8 RONDELLA WASHER	SCHEIBE RONDELLE	1 2 3 4 5 6	
18A		00H00300672	TUERCA CABEZA EJE DADO NUT	MUTTER ECROU	1 2 3 4 5 6	

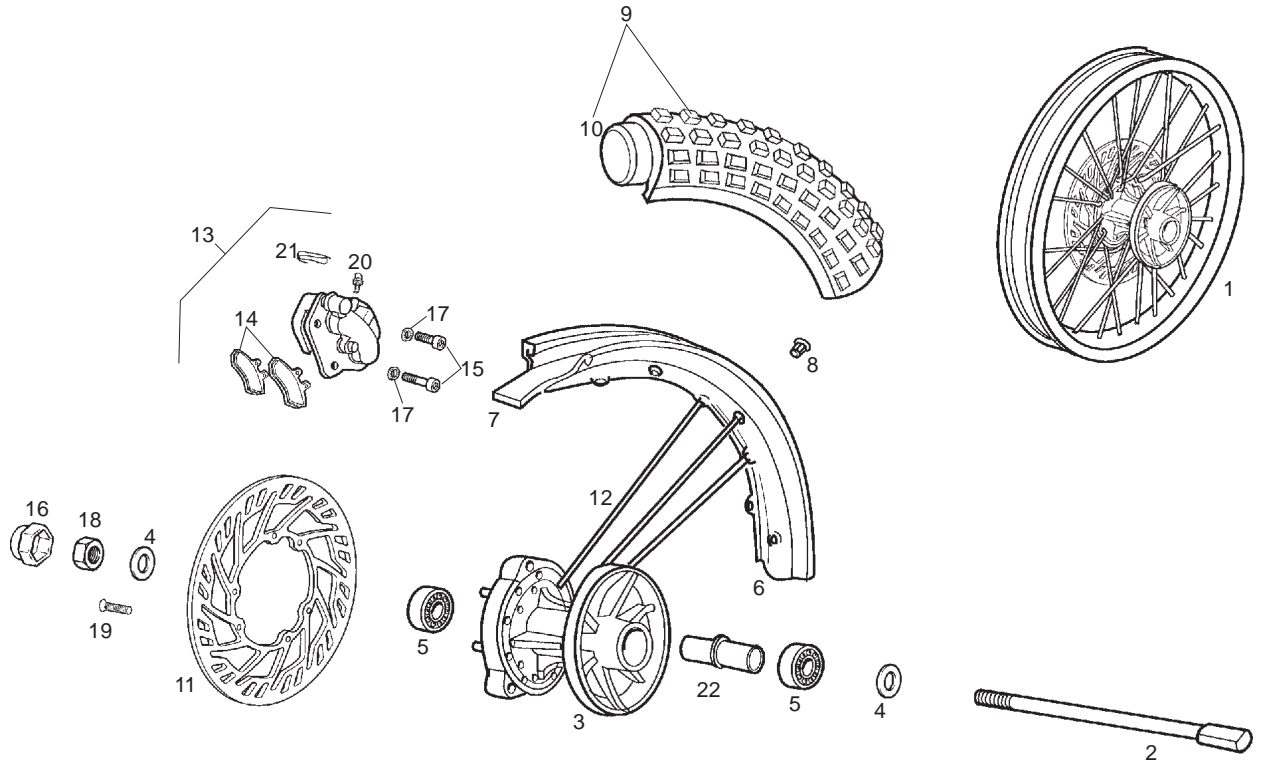
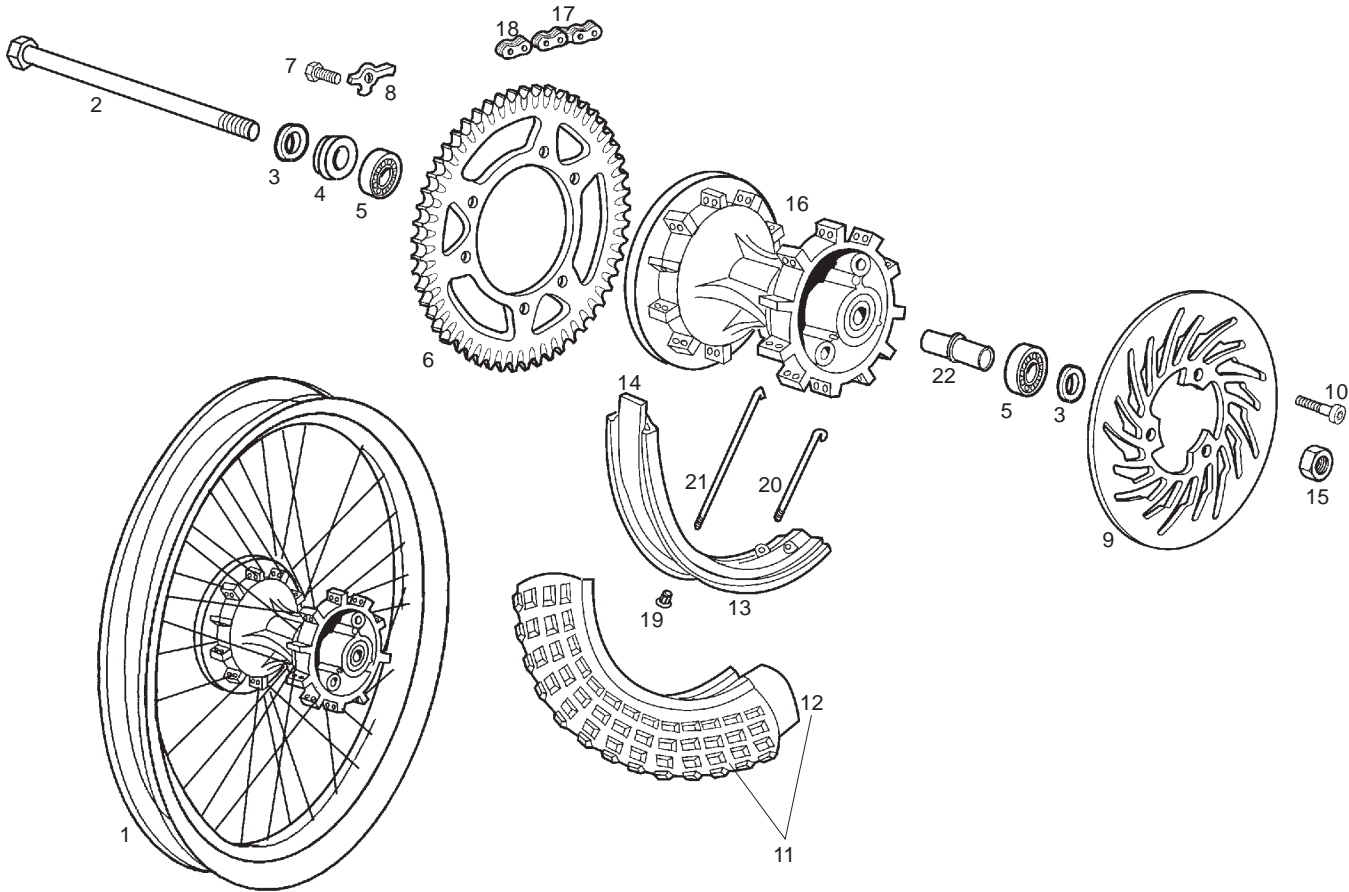


Fig.	Ver.	COD. KOD.	DESCRIPCIÓN DENOMINAZIONE NAME	BEZEICHNUNG DESIGNATION	MOD.	NOTAS NOTES NOTA MITSCHRIFT NOTES
19A		00H02402282	TORNILLO FIJACION VITE SCREW	SCHRAUBE VIS	1 2 3 4 5 6	
20A		00F04700121	R-CTO. PURGADOR R-SPURGO FRONT BRAKE BLEED CLIP ASSY	ABLASSHAHN R-ENS. PURGEUR PINCE FREIN AV. F	1 2 3 4 5 6	
21A		00H01301831	MUELLE FIJACION PASTILLAS MOLLA SPRING	FEDER RESSORT	1 2 3 4 5 6	
22A		00H01203031	SEPARADOR COJINETES SEPARATORE CUSCINETTI SPACER BEARING	DISTANZHULSE SEP. ROULEMENTS MOYEU AR.	1 2 3 4 5 6	



**RUEDA SIN DISCO Y SIN PLATO
WHEEL WITHOUT DISC AND DRIVE PLATE**

Fig.	Ver.	COD. KOD.	DESCRIPCIÓN DENOMINAZIONE NAME	BEZEICHNUNG DESIGNATION	MOD.	NOTAS NOTES NOTA MITSCHRIFT NOTES
01A		00H02411331	CTO LLANTA TR.C/CARRETE AZUL CERCHIONE CON MOZZO REAR RIM WITH HUB	HINTERRAD MIT RADNABE ROUE ARRIERE AVEC MOYEU	1 2 3 4	
01B		864943	CTO LLANTA TR.C/CARRETE NEGRA CERCHIONE CON MOZZO REAR RIM WITH HUB	HINTERRAD MIT RADNABE ROUE ARRIERE AVEC MOYEU	5 6	
01C		00H02411331	CTO LLANTA TR.C/CARRETE AZUL CERCHIONE CON MOZZO REAR RIM WITH HUB	HINTERRAD MIT RADNABE ROUE ARRIERE AVEC MOYEU	6	ONLY AUSTRIA
02A		00H01303201	CTO. EJE RUEDA TRASERA ASSE RUOTA POSTERIORE REAR WHEEL AXLE	U-GROPPE HINTERRADACHSE AXE ROUE ARRIERE	1 2 3 4 5 6	
03A		00032015000	ARANDELA PLANA D15 RONDELLA WASHER	SCHEIBE RONDELLE	1 2 3 4 5 6	
04A		00H01306181	CASQUILLO BRONZINA BUSHING	BUCHSE ENTRETOISE	1 2 3 4 5 6	
05A		00058020200	COJINETE CUSCINETTO BEARING	LAGER COUSSINET	1 2 3 4 5 6	
06A		00H01331031	PLATO ARRASTRE Z-53 PIATTO TRAINO DRIVE PLATE	MITNEHMERSCHEIBE COURONNE ARRIERE	1 2 3 4 5 6	
07A		00002182000	TORNILLO C/EX.8M125X20 VITE SCREW	SCHRAUBE VIS	1 2 3 4 5 6	
08A		00H01302052	PRECINTO TOR. PLATO ARRAST. PIASTRINA VITE PIATTO TRASCINA BRAKE DISC RETAINER	SCHRAUBE MITNEHMERSCHEIBE ARRETOIR DES BOULONS DISQUE	1 2 3 4 5 6	
09A		00H01308531	DISCO FRENO TRASERO DISCO FRENO POSTERIORE REAR BRAKE DISC	BREMSSCHEIBE HINTEN DISQUE DE FREIN ARRIERE	1 2 3 4 5 6	

**RUEDA SIN DISCO Y SIN PLATO
WHEEL WITHOUT DISC AND DRIVE PLATE**

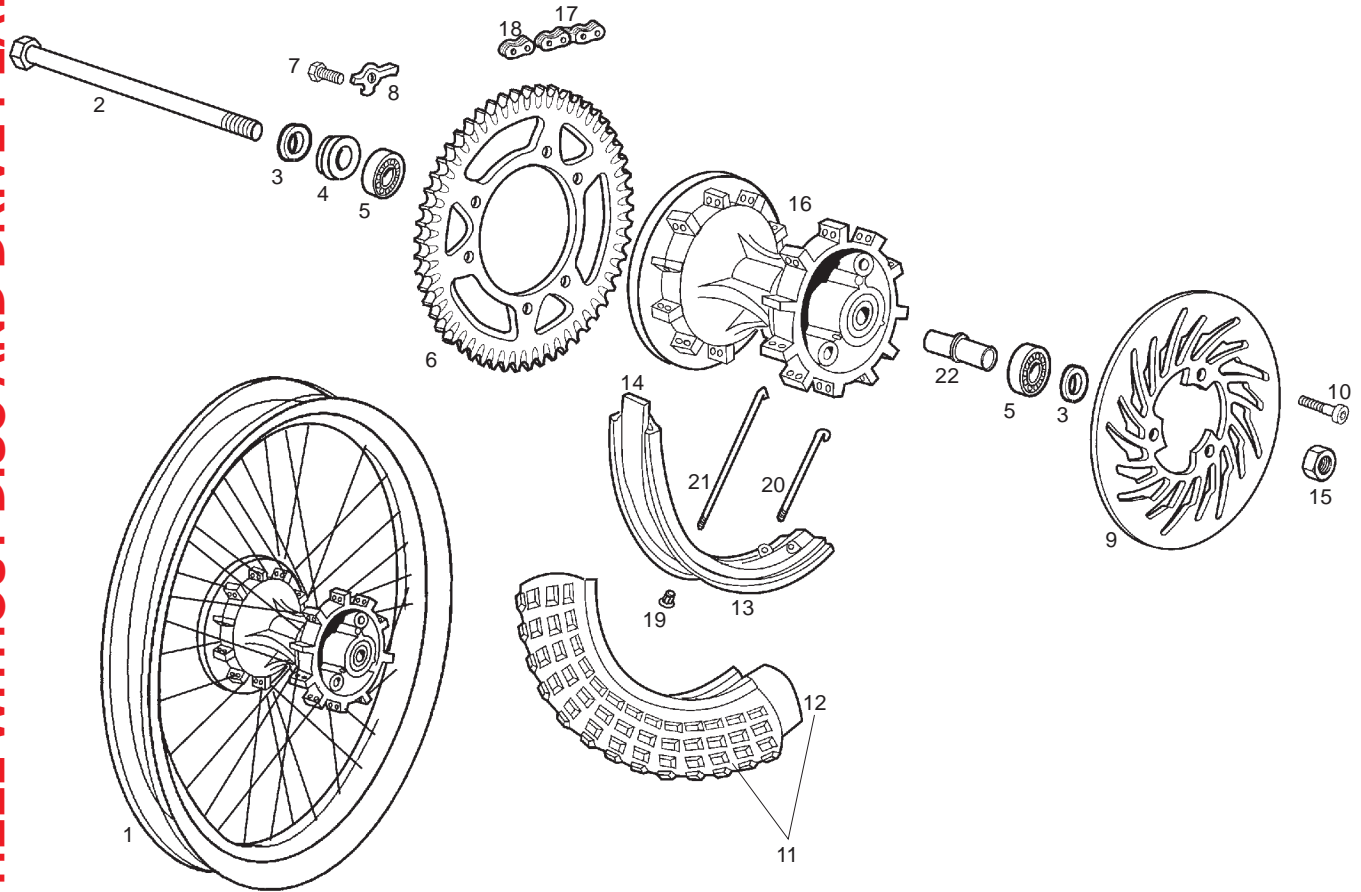
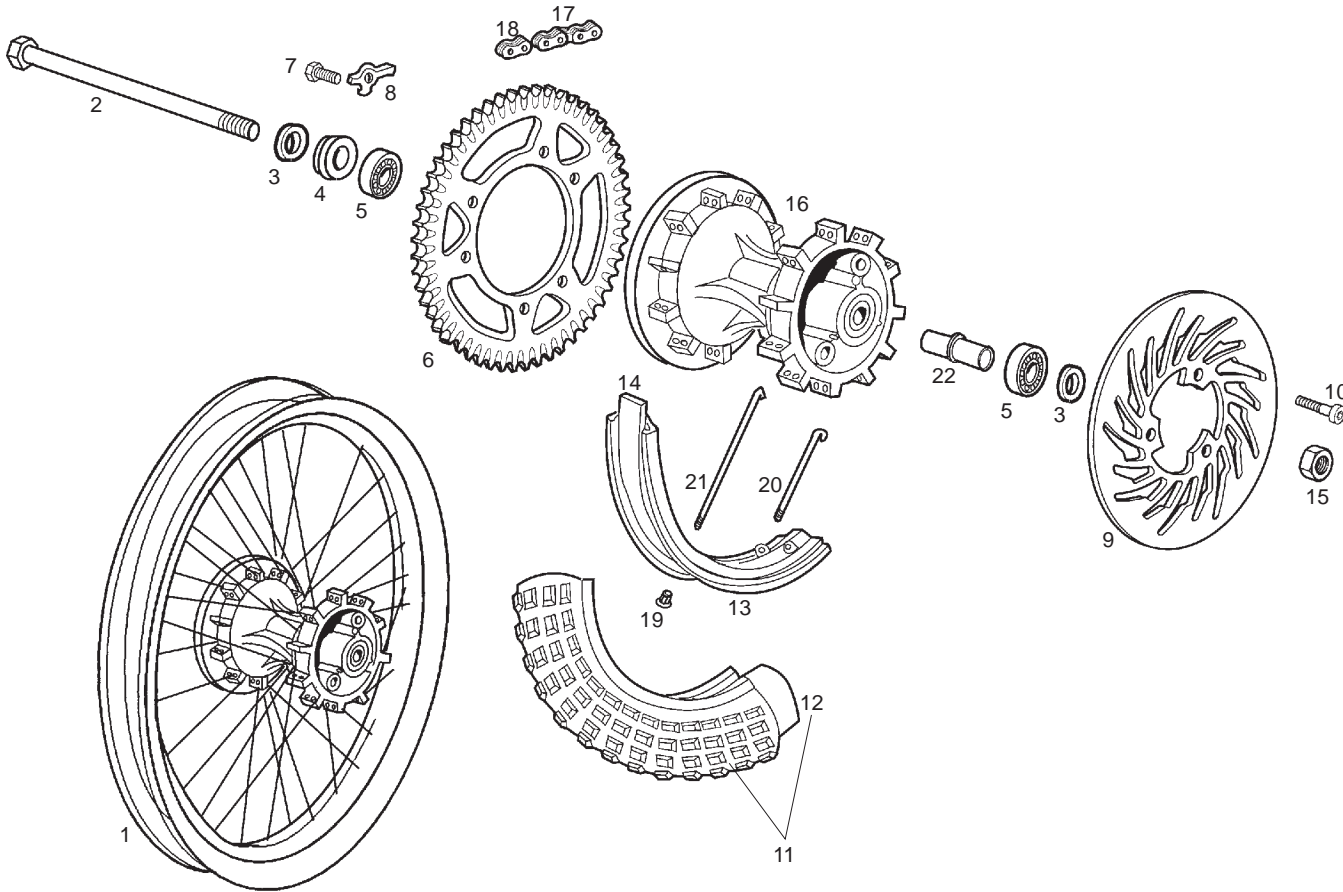


Fig.	Ver.	COD. KOD.	DESCRIPCIÓN DENOMINAZIONE NAME	BEZEICHNUNG DESIGNATION	MOD.	NOTAS NOTES NOTA MITSCHRIFT NOTES
10A		00H02401282	TORNILLO FIJ.DISCO FRENO VITE SCREW	SCHRAUBE VIS	1 2 3 4 5 6	
11A		00H01309321	CTO. CUBIERTA TRASERA 110/80-18" COPERTONE TYRE	REIFEN PNEU	1 2 3 4 5 6	
12A		00H01308361	CAMARA CAMERA RUOTA POST. REAR WHEEL CAMBER	SCHLAUCH CHAMRE A AIR ARR.	1 2 3 4 5 6	
13A		00H01309352	LLANTA TRASERA AZUL CERCHIONE POSTERIORE REAR RIM	HINTERRADFELGE JANTE ARRIERE NUE.	1 2 3 4	
13B		00H01302354	LLANTA TRASERA NEGRA CERCHIONE POSTERIORE REAR RIM	HINTERRADFELGE JANTE ARRIERE NUE.		5 6
13C		00H01309352	LLANTA TRASERA AZUL CERCHIONE POSTERIORE REAR RIM	HINTERRADFELGE JANTE ARRIERE NUE.		6 ONLY AUSTRIA
14A		00D01301401	PROTECTOR CAMARA PROTEZIONE CAMERA RUOTA POSTER RIM STRIP	FELGENBAND PROTECTEUR DE CHAMBRE A AIR	1 2 3 4 5 6	
15A		00H00300672	TUERCA CABEZA EJE DADO NUT	MUTTER ECRU	1 2 3 4 5 6	
16A		00H01306824	CTO. CARRETE TRASERO MOZZO HUB	RADNABE MOYEU	1 2 3 4 5 6	
17A		00H01502201	CADENA SECUNDARIA CATENA TRANSMISSION CHAIN	KETTE CHAINE TRANSMISSION	1 2 3 4 5 6	
18A		00H01501212	R-ENGANCHE CADENA SEC. AGGANCIAMENTO CATENA SICUREZZA MASTER LINK	KETTENSCHLOSS ATTACHE RAPIDE	1 2 3 4 5 6	



**RUEDA SIN DISCO Y SIN PLATO
WHEEL WITHOUT DISC AND DRIVE PLATE**

Fig.	Ver.	COD. KOD.	DESCRIPCIÓN DENOMINAZIONE NAME	BEZEICHNUNG DESIGNATION	MOD.	NOTAS NOTES NOTA MITSCHRIFT NOTES
19A		00002212070	TUERCA RADIO. DADO NUT	MUTTER ECROU	1 2 3 4 5 6	
20A		00H01301721	RADIO LADO DISCO SPEICHE DISK SIDE SPOKE	SPEICHE RAYON ROUE AR INT. COURT	1 2 3 4 5 6	
21A		00H01303731	RADIO LADO PLATO RADIO POST. LATO PIATTO PLATE SIDE SPOKE	SPEICHE RAYON ROUE ARRIERE INT.	1 2 3 4 5 6	
22A		00H01303091	SEPARADOR COJINETES SEPARATORE BEARING SPACER	DISTANZHULSE SEPARATEUR ROULEMENTS	1 2 3 4 5 6	

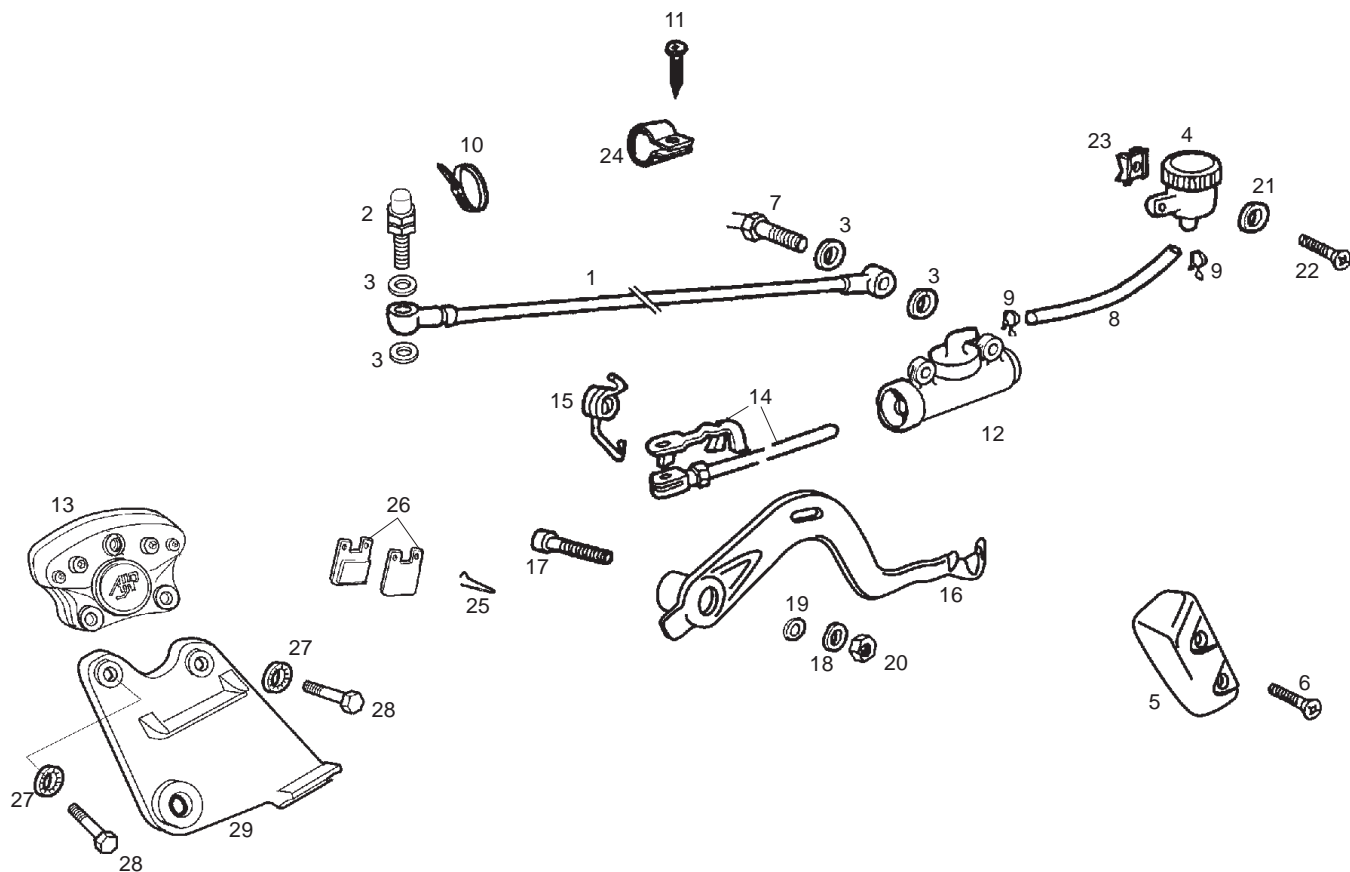


Fig.	Ver.	COD. KOD.	DESCRIPCIÓN DENOMINAZIONE NAME	BEZEICHUNG DESIGNATION	MOD.	NOTAS NOTES NOTA MITSCHRIFT NOTES
01A		00H01111081	TUBO LIQUIDO FRENO TRASERO TUBO TUBE	ROHR TUYAU	1 2 3 4 5 6	
02A		00H04702121	CTO. PURGADOR PINZA SPURGO PINZA FRENO BRAKE BLEED CLIP ASSY	ABLASSHAHN R-ENS. PURGEUR PINCE	1 2 3 4 5 6	
03A		00006321040	ARANDELA JUNTA RACORD RONDELLA WASHER	SCHEIBE RONDELLE	1 2 3 4 5 6	
04A		00D01100201	DEPOSITO LIQUIDO FRENOS SERBATOIO LIQUIDO FRENO FLUID TUBE TANK	BEHALTER RESERVOIR FLUID TUBE	1 2 3 4 5 6	
05A		00H01101731	PROTECTOR BOMBA PROTEZIONE REAR BRAKE, PROTECTOR	ABDECKUNG PROTECTEUR	1 2 3 4 5 6	
06A		00G01503701	TORNILLO FIJACION VITE SCREW	SCHRAUBE VIS	1 2 3 4 5 6	
07A		00H01001701	CTO. INTERRUPTOR STOP INTERUTTORE FANALINO SWITCH, STOP LIGHT	STOPCHALTER VO. INTERRUPTEUR COMMANDE STOP	1 2 3 4 5 6	
08A		00H01103211	TUBO DEPOSITO A BOMBA TUBO TUBE	ROHR TUYAU	1 2 3 4 5 6	
09A		00H03700131	ABRAZADERA ELASTICA FASCETTA CLAMP	FLANGE BRIDE	1 2 3 4 5 6	
10A		00F00900531	BRIDA BRIGLIA BRIDLE	ZÜGEL BRIDE	1 2 3 4 5 6	
11A		00011041300	TORNILLO AUT. C/CR. NG.4,8X13. VITE SCREW	SCHRAUBE VIS	1 2 3 4 5 6	

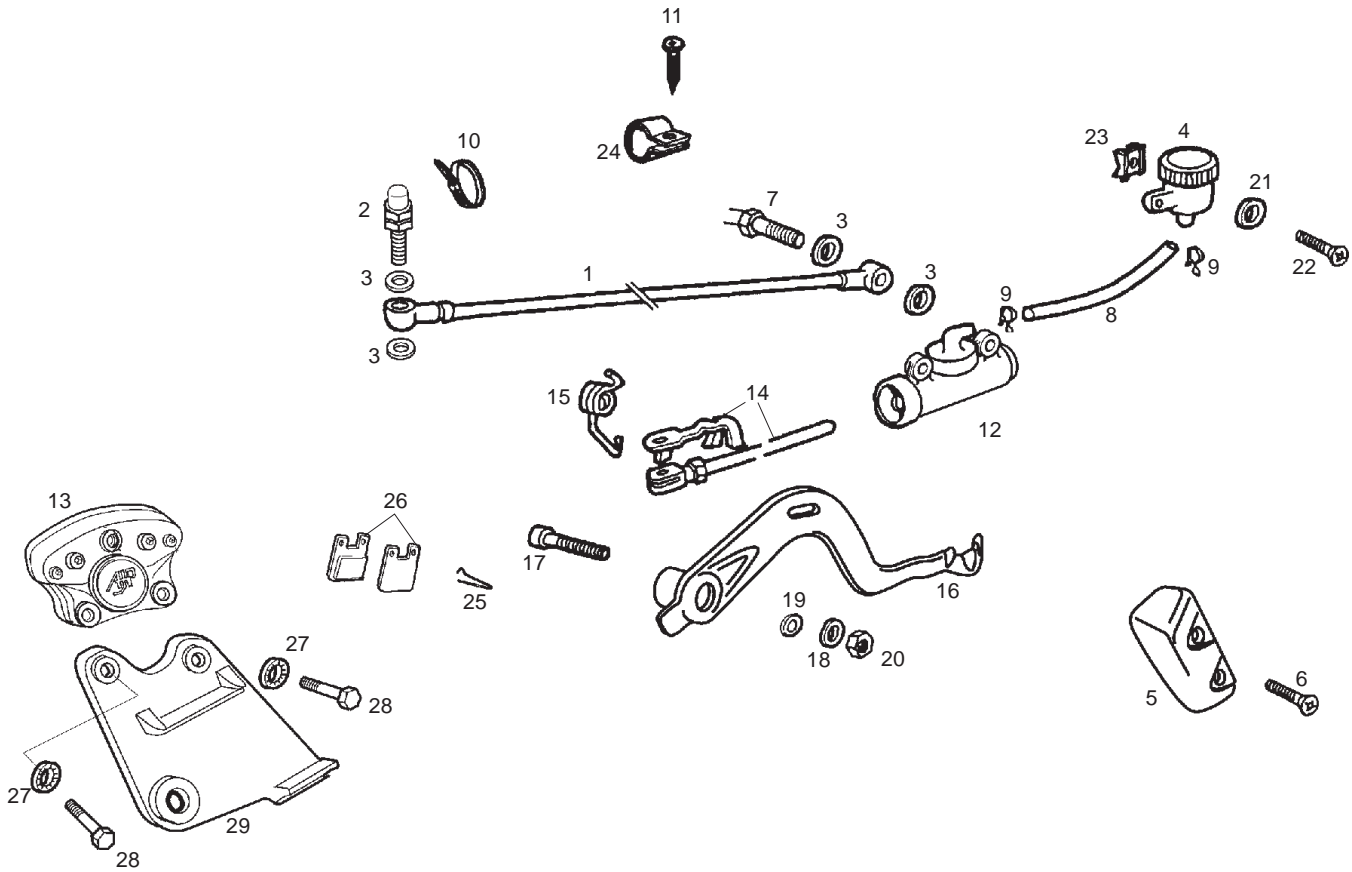


Fig.	Ver.	COD. KOD.	DESCRIPCIÓN DENOMINAZIONE NAME	BEZEICHUNG DESIGNATION	MOD.	NOTAS NOTES NOTA MITSCHRIFT NOTES
12A		00H01106181	CTO BOMBA FRENO TRASERO FRENO POSTERIORE REAR BRAKE CONTROL ASSY	REAR BRAKE CONTROL ASSY. ENSEMBLE COMMANDE FREIN ARRIER	1 2 3 4 5 6	
13A		00H01110581	R-CTO PINZA FRENO TRASERO PINZA REAR CLIP ASSEMBLY	BREMSZANGE HINTEN ETRIER FREIN	1 2 3 4 5 6	
14A		00H01103611	VARILLA BOMBA FRENO TRASERO ASTA POMPA FRENO REAR BRAKE ROD	BREMSSTANGE TIGE DE FREIN ARRIERE	1 2 3 4 5 6	
15A		00H01102072	MUELLE PEDAL FRENO MOLLA SPRING	FEDER RESSORT	1 2 3 4 5 6	
16A		00H01120021	PALANCA FRENO PEDALE FRENO BRAKE PEDAL	FUSSBREMSHEBEL PEDALE DE FREIN AR.	1 2 3 4 5 6	
17A		00H01100172	TORNILLO FIJACION VITE SCREW	SCHRAUBE VIS	1 2 3 4 5 6	
18A		00402080001	ARANDELA PLANA D8 RONDELLA WASHER	SCHEIBE RONDELLE	1 2 3 4 5 6	
19A		00005527540	ARANDELA RONDELLA WASHER	SCHEIBE RONDELLE	1 2 3 4 5 6	
20A		00023108000	TUERCA AUTOBLOCANTE 8M125 DADO NUT	MUTTER ECROU	1 2 3 4 5 6	
21A		00D02600631	ARANDELA RONDELLA WASHER	SCHEIBE RONDELLE	1 2 3 4 5 6	
22A		00012151500	TORNILLO C/RED. ALL.5M100X16 VITE SCREW	SCHRAUBE VIS	1 2 3 4 5 6	

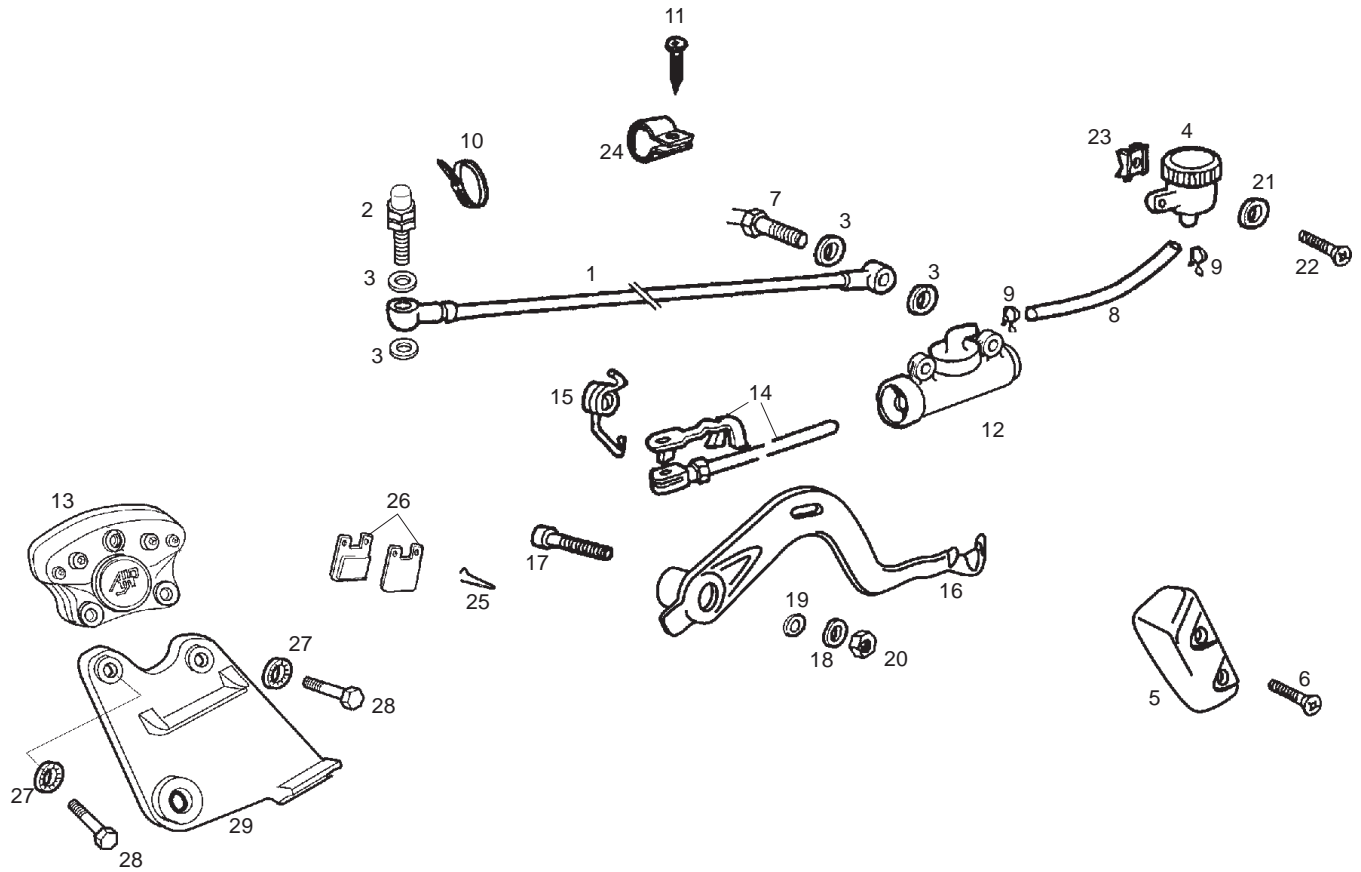


Fig.	Ver.	COD. KOD.	DESCRIPCIÓN DENOMINAZIONE NAME	BEZEICHUNG DESIGNATION	MOD.	NOTAS NOTES NOTA MITSCHRIFT NOTES
23A		00G04401462	TUERCA FIJACION D5 DADO NUT	MUTTER ECROU	1 2 3 4 5 6	
24A		00H01501811	BRIDA BRIGLIA BRIDLE	ZÜGEL BRIDE	1 2 3 4 5 6	
25A		00H04701171	MUELLE FIJACION PASTILLAS MOLLA SPRING	FEDER RESSORT	1 2 3 4 5 6	
26A		00G04700141	JUEGO PASTILLAS DE FRENO CONG. PASTIGLIE FRENO SET OF BRAKE PADS	DIE GESAMTHEIT BREMSBACKEN ENS. PLAQUETTE DE FREIN	1 2 3 4 5 6	
27A		00034000802	ARANDELA RONDELLA WASHER	SCHEIBE RONDELLE	1 2 3 4 5 6	
28A		00002083001	TORNILLO 8M125X30 VITE SCREW	SCHRAUBE VIS	1 2 3 4 5 6	
29A		00H01303521	SOPORTE PINZA FRENO TRASERO SUPPORTO PINZA REAR BRAKE CALIPER BRACKET	U-GRUPPE HINTERBREMSBACKEN SUPPORT PINCE FREIN	1 2 3 4 5 6	

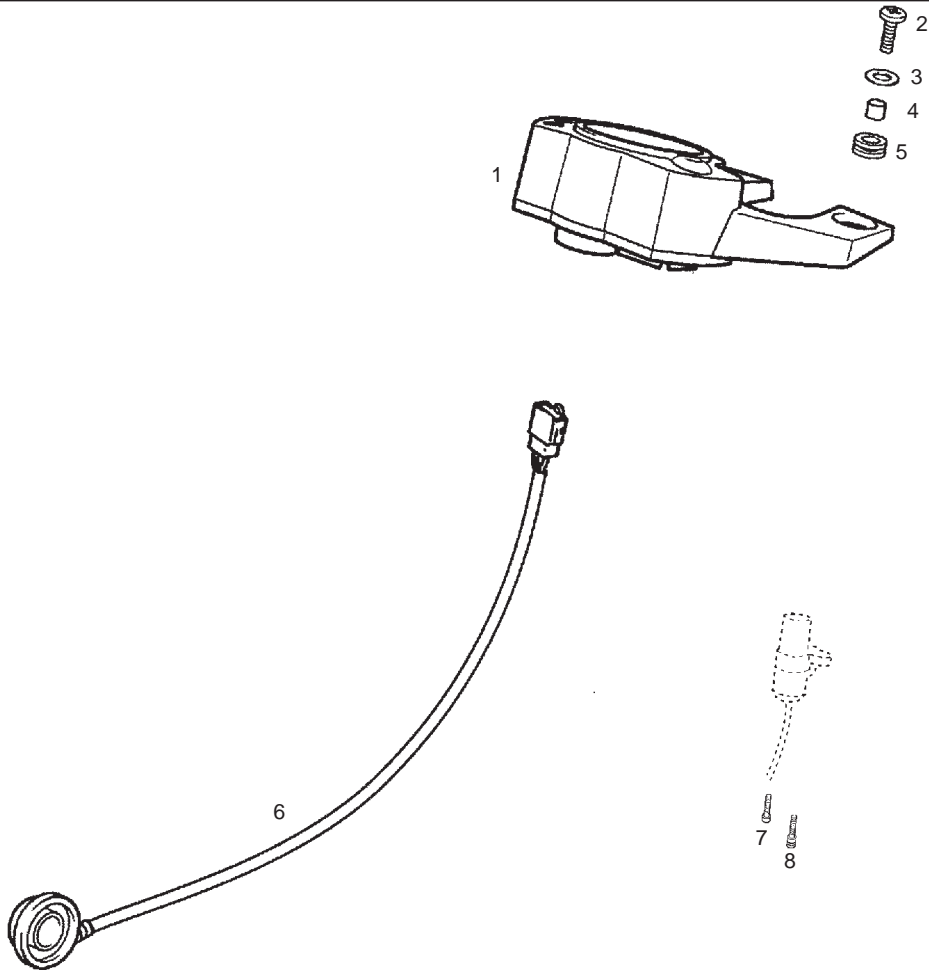


Fig.	Ver.	COD. KOD.	DESCRIPCIÓN DENOMINAZIONE NAME	BEZEICHUNG DESIGNATION	MOD.	NOTAS NOTES NOTA MITSCHRIFT NOTES
01A		00H01632521	CTO TABLIER (KMH) CRUSCOTTO DASH ASSY	INSTRUMENTERHALTER BOITIER TABLEAU BORD		UNTIL FRAME 7H351417
01B		00H01643521	CTO TABLIER (MPH) CRUSCOTTO DASH ASSY	INSTRUMENTERHALTER BOITIER TABLEAU BORD		MILES PER HOUR
01C		00H01642521	CTO TABLIER (KMH) CRUSCOTTO DASH ASSY	INSTRUMENTERHALTER BOITIER TABLEAU BORD		SINCE FRAME 7H351418
02A		00012152000	TORNILLO C/RED.CRUZ 5M80X20 VITE SCREW	SCHRAUBE VIS	1 2 3 4 5 6	
03A		00D02600631	ARANDELA RONDELLA WASHER	SCHEIBE RONDELLE	1 2 3 4 5 6	
04A		00H01600911	CASQUILLO BRONZINA BUSHING	BUCHSE ENTRETOISE	1 2 3 4 5 6	
05A		00D01500021	PASACABLES PORTACAVI GROMMET	GUMMI PASSE-CABLE	1 2 3 4 5 6	
06A	01	00H01615051	CTO.REENVIO RINVIO RETURN UNIT.	RETURN UNIT. RENOI DE ROUE	1 2 3 4 5 6	
06A		86137R	CTO.REENVIO RINVIO RETURN UNIT.	RETURN UNIT. RENOI DE ROUE	1 2 3 4 5 6	
07A		00002082021	TORNILLO 8M125X20 VITE SCREW	SCHRAUBE VIS	1 2 3 4 5 6	
08A		00H06300791	TORNILLO ROMPIENTE VITE SCREW	SCHRAUBE VIS	1 2 3 4 5 6	

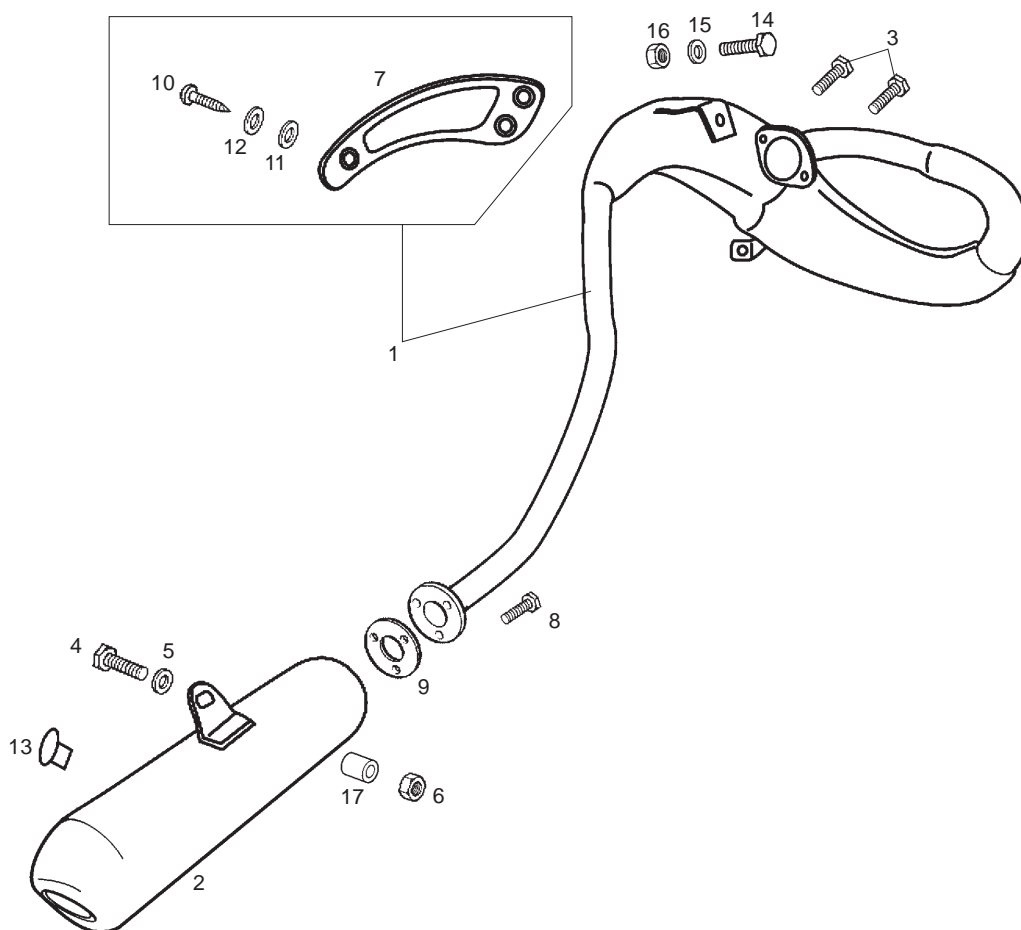


Fig.	Ver.	COD. KOD.	DESCRIPCIÓN DENOMINAZIONE NAME	BEZEICHUNG DESIGNATION	MOD.	NOTAS NOTES NOTA MITSCHRIFT NOTES
01A		00H03454081	TUBO ESCAPE DRD RACING E2 TUBO SCARICO EXHAUST PIPE	AUSPUFF ENSEMBLE TUBE DIECHAPPEMENT	1 2 3 4 5 6	
02A		86128R	SORDINA SUBCOMP. SORD. EXHAUST TANK	SCHALLDÄMPFER SILENCIEUX DIECHAPPEMENT	1 2 3 4 5 6	
03A		00002062011	TORNILLO C/ALLEN.6M100X20 VITE SCREW	SCHRAUBE VIS	1 2 3 4 5 6	
04A		00000002825	TORNILLO C/EXAGONAL 8M125X25 VITE SCREW	SCHRAUBE VIS	1 2 3 4 5 6	
05A		00402080001	ARANDELA D8 RONDELLA WASHER	SCHEIBE RONDELLE	1 2 3 4 5 6	
06A		00023108000	TUERCA AUTOBLOCANTE 8M125 DADO NUT	MUTTER ECROU	1 2 3 4 5 6	
07A		00H01810391	PROTECTOR SILENCIADOR PROTEZIONE SILENZIATORE SILENCER SHIELD	SCHALLDAEMPFRSCHUTZ PROTECT. SIL.	1 2 3 4 5 6	
08A		00D05910081	SCTO.TORBILLO 6M100X16 VITE FISSAGGIO SCREW	SCHRAUBE VIS	1 2 3 4 5 6	
09A		00H03404321	JUNTA GUARNIZIONE GASKET	DICHTUNG JOINT	1 2 3 4 5 6	
10A		00000012415	TORNILLO VITE SCREW	SCHRAUBE VIS	1 2 3 4 5 6	
11A		00F04201361	ARANDELA RONDELLA WASHER	SCHEIBE RONDELLE	1 2 3 4 5 6	

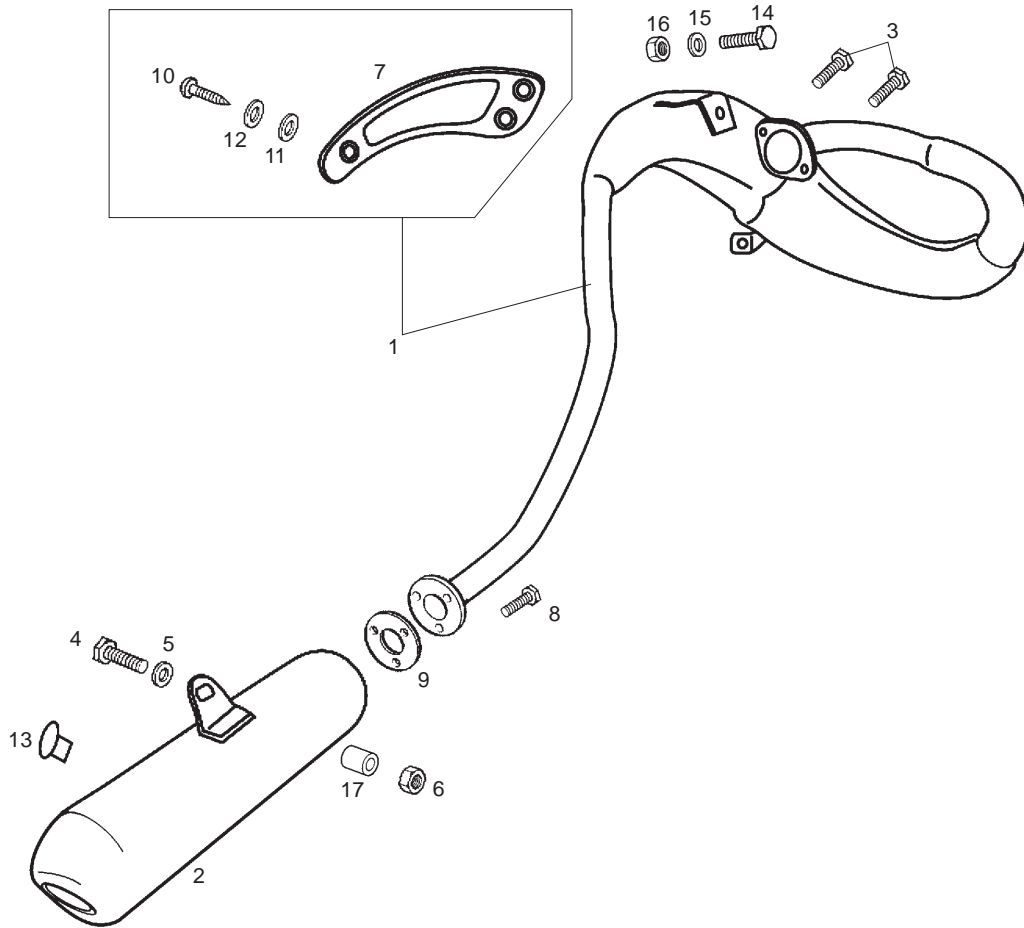
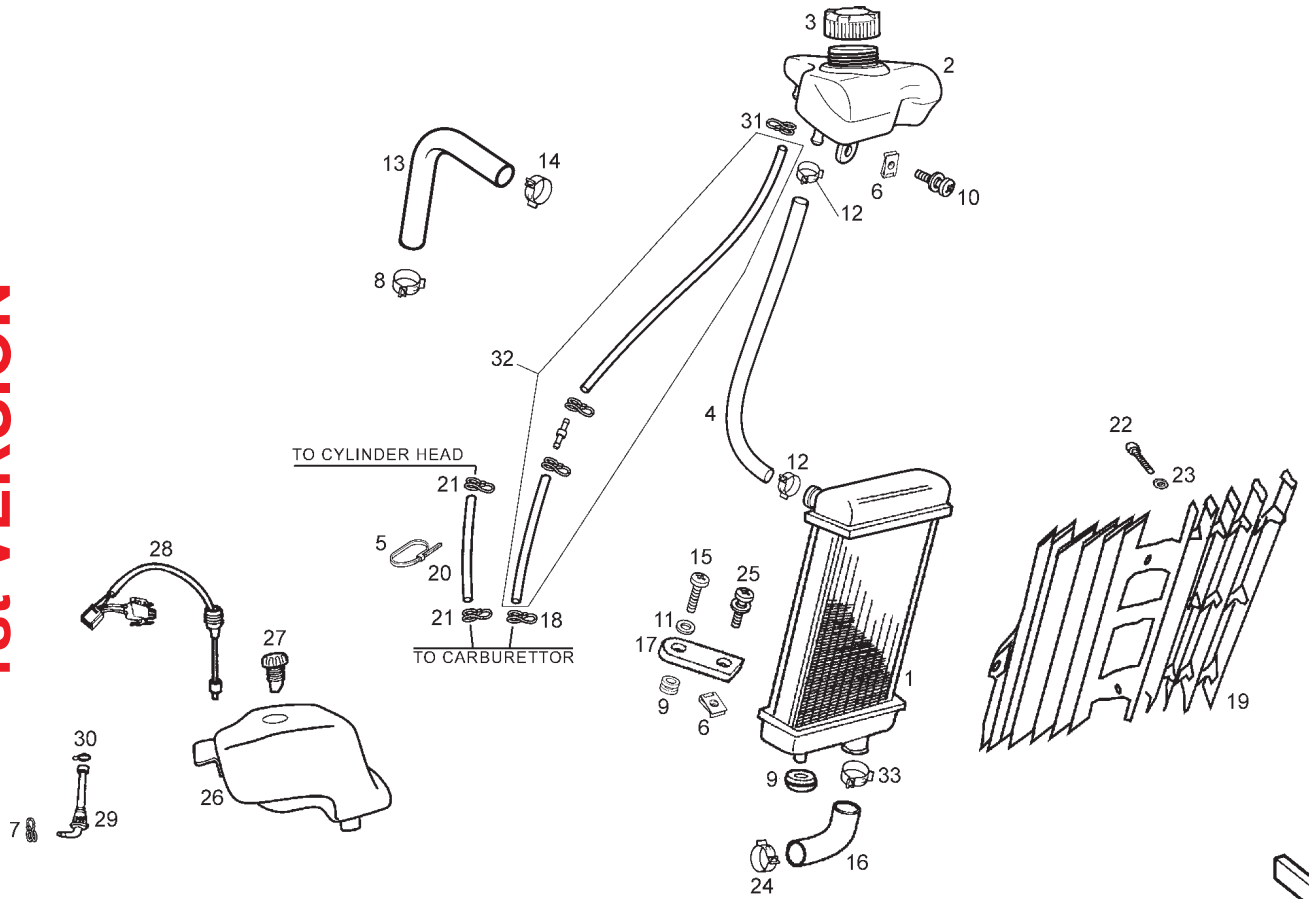


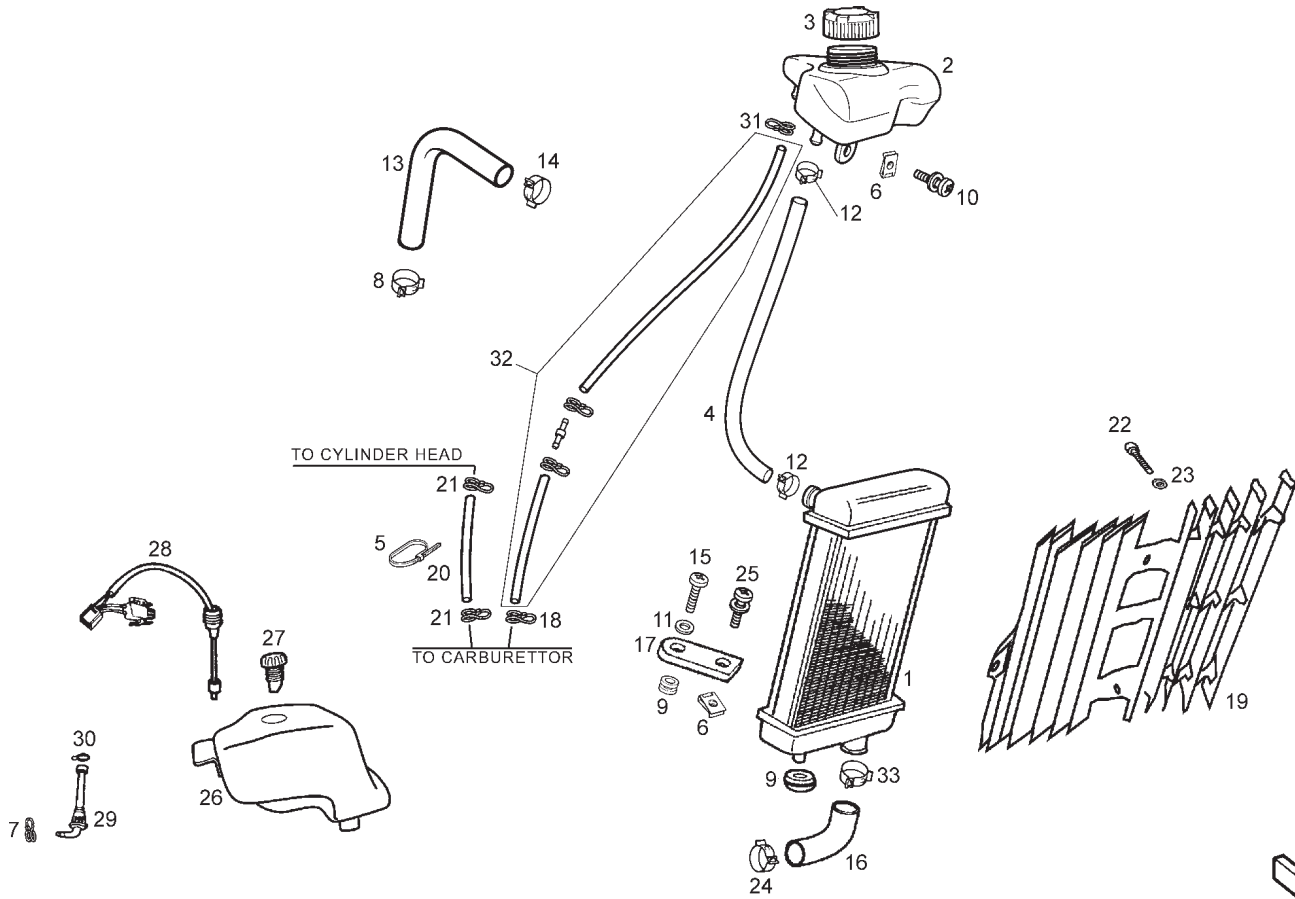
Fig.	Ver.	COD. KOD.	DESCRIPCIÓN DENOMINAZIONE NAME	BEZEICHNUNG DESIGNATION	MOD.	NOTAS NOTES NOTA MITSCHRIFT NOTES
12A		00D02600631	ARANDELA RONDELLA WASHER	SCHEIBE RONDELLE	1 2 3 4 5 6	
13A		00G01500951	TOPE GOMA APPOGGIO ZAMPA CAVALLETO SIDE STAND REST	GUMMISTOPPEL APPUI BEQUILLE LATERALE	1 2 3 4 5 6	
14A		00012082001	TORNILLO 8M125X20 VITE SCREW	SCHRAUBE VIS	1 2 3 4 5 6	
15A		00402080001	ARANDELA D8 RONDELLA WASHER	SCHEIBE RONDELLE	1 2 3 4 5 6	
16A		00023108000	TUERCA AUTOBLOCANTE 8M125 DADO NUT	MUTTER ECROU	1 2 3 4 5 6	
17A		863693	CASQUILLO GHIERA BUSHING	BUCHSE ENTRETOISE	1 2 3 4 5 6	

1st VERSION



FWD

Fig.	Ver.	COD. KOD.	DESCRIPCIÓN DENOMINAZIONE NAME	BEZEICHNUNG DESIGNATION	MOD.	NOTAS NOTES NOTA MITSCHRIFT NOTES
01A		00H03805011	SCTO. RADIADOR SUBRADIATORE RADIATOR ASSY.	RADIATOR ASSY. RADIATEUR	1 2 3 4	UNTIL FRAME 7H359740
02A		00H03810501	DEPOSITO AGUA RADIADOR SERBATOIO ACQUA RADIATORE WATER TANK	WASSERBEHALTER VASE DI EXPANSION	1 2 3 4	UNTIL FRAME 7H359740
03A		00H03802472	CTO.TAPON DEPOSITO AGUA TAPPO RADIATORE/SERBATOIO WATER RESERVOIR/RAD CAP ASSY	KUEHLERDECKEL BOUCHON DE RESERVOIR D,EAU	1 2 3 4	UNTIL FRAME 7H359740
04A		00G03800601	TUBO DEPOSITO-RADIADOR TUBO TUBE	SCHLAUCH TUYAU	1 2 3 4	UNTIL FRAME 7H359740
05A		00D00900531	BRIDA 200 X 3,6 FLANGIA UNIONE CAVI BLACK CABLE TIE	KABELBINDER COLLIER	1 2 3 4	UNTIL FRAME 7H359740
06A		00D01501371	TUERCA FIJ. D6 DADO NUT	MUTTER ECROU	1 2 3 4	UNTIL FRAME 7H359740
07A		00F03710131	ABRAZADERA ELASTICA FASCETTA CLAMP	FLANGE BRIDE	1 2 3 4	UNTIL FRAME 7H359740
08A		00H03802751	ABRAZADERA 24/8W4 FASCETTA CLAMP	BEF. SCHELLE COLLIER	1 2 3 4	UNTIL FRAME 7H359740
09A		00008915020	PROTECCION CABLES PROTEZIONE CAVI RUBBER,CABLE PROTECTOR	GUMMI PASSE-CABLE	1 2 3 4	UNTIL FRAME 7H359740
10A		00H05900021	SCTO TORNILLO 6M100X16 VITE SCREW	SCHRAUBE VIS	1 2 3 4	UNTIL FRAME 7H359740
11A		00D01500552	CAZOLETA SCADELLINO FISSAGGIO HOUSING EXHAUST PIPE SUPPORT	ABDECKSCHEIBE CUVETTE	1 2 3 4	UNTIL FRAME 7H359740



1st VERSION



Fig.	Ver.	COD. KOD.	DESCRIPCIÓN DENOMINAZIONE NAME	BEZEICHNUNG DESIGNATION	MOD.	NOTAS NOTES NOTA MITSCHRIFT NOTES
12A		00G03801701	ABRAZADERA FASCETTA FISSAGGIO MANICA RADI CLAMP FASTERING RADIATOR BUSHI	OIL TANK FLANGE TUBE BRIDE TUBE RESPIRATION RÍSERVO	1 2 3 4	UNTIL FRAME 7H359740
13A		00H03808021	TUBO CULATA-RADIADOR TUBO TESTATA-RACCORDO TERMOCON CYLINDER HEAD PIPE-TERMOCONTACT	WASSERSCHLAUCH TUBE	1 2 3 4	UNTIL FRAME 7H359740
14A		00H03800751	ABRAZADERA 21/8W4 FLANGIA FISSAGGIO SECURING CLAMP	BEF.-SHELLE COLLIER	1 2 3 4	UNTIL FRAME 7H359740
15A		00092061214	TORNILLO C/RED CRUZ 6M100X12 VITE SCREW	SCHRAUBE VIS	1 2 3 4	UNTIL FRAME 7H359740
16A		00H03802031	TUBO BOMBA-RADIADOR TUBO REFRIGERAZIONE POMPA-RADI RADIATOR PUMP RUBBER TUBE	KUHLMITTELSCHLAUCH PUMPE K TUBE POMPE-RADIATEUR	1 2 3 4	UNTIL FRAME 7H359740
17A		00G02200692	OREJA SUP.SOPORTE RADIADOR PIASTRA SUPPORTO SUPERIORE UPPER RADIATOR SUPPORT	OESE KUEHLERBLOCK OREILLE SUPERIEURE SUPPORT RAD	1 2 3 4	UNTIL FRAME 7H359740
18A		00H00400501	ABRAZADERA ELASTICA 7,8-8,3 FASCETTA CLAMP	FLANGE BRIDE	1 2 3 4	UNTIL FRAME 7H359740
19A		00H03805301	REJILLA RADIADOR GRIGLIA RADIATORE RADIATOR GRID	RADIATOR RADIATEUR	1 2 3 4	UNTIL FRAME 7H359740
20A		00H03801961	TUBO CARBURADOR A RACORD CULATA TUBO TUBE	SCHLAUCH TUYAU	1 2 3 4	UNTIL FRAME 7H359740
21A		00H00400501	ABRAZADERA ELASTICA 7,8-8,3 FASCETTA CLAMP	FLANGE BRIDE	1 2 3 4	UNTIL FRAME 7H359740
22A		00011141300	TORNILLO AUT.C/CR.NG.4,8X13 VITE SCREW	SCHRAUBE VIS	1 2 3 4	UNTIL FRAME 7H359740

1st VERSION

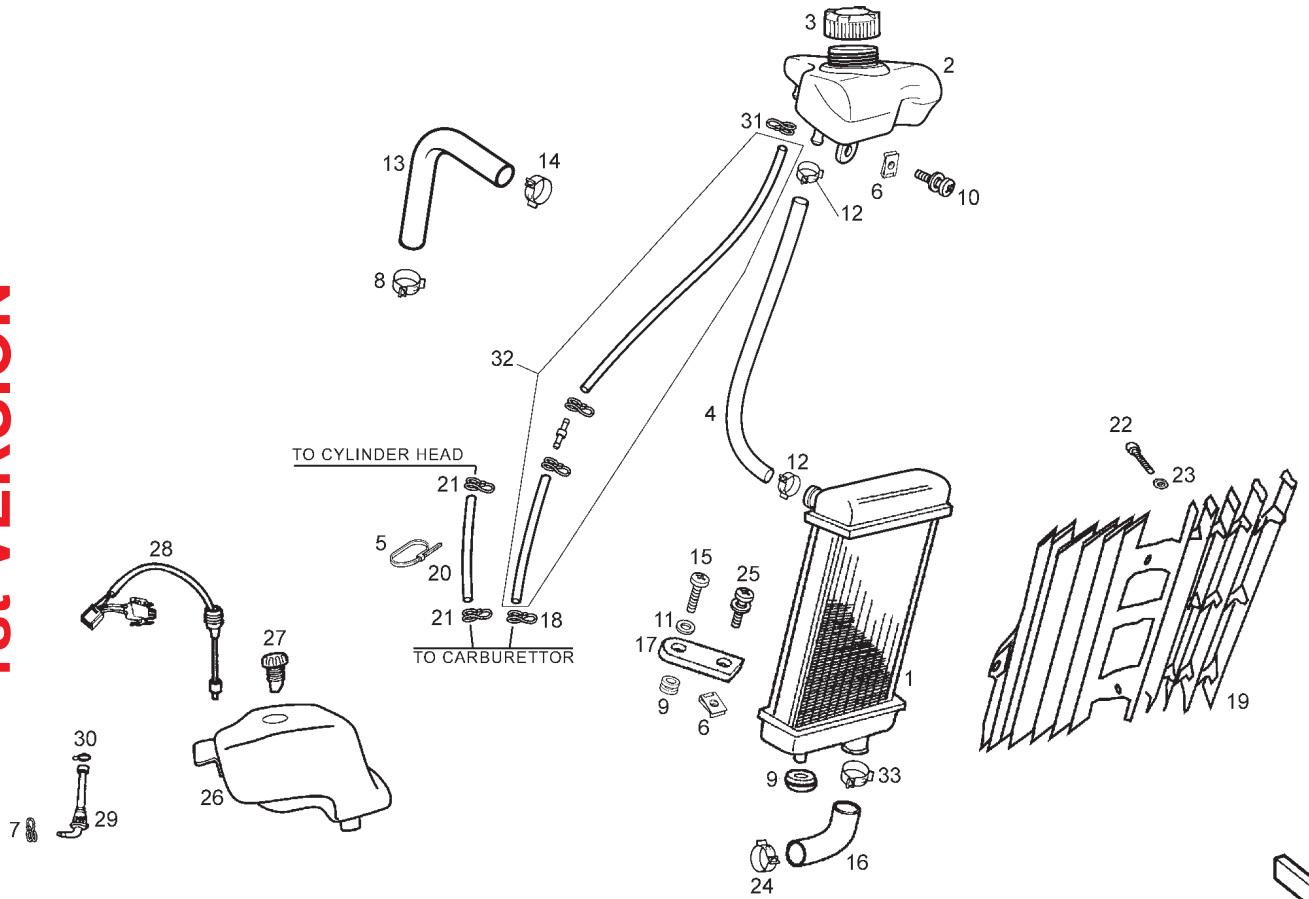
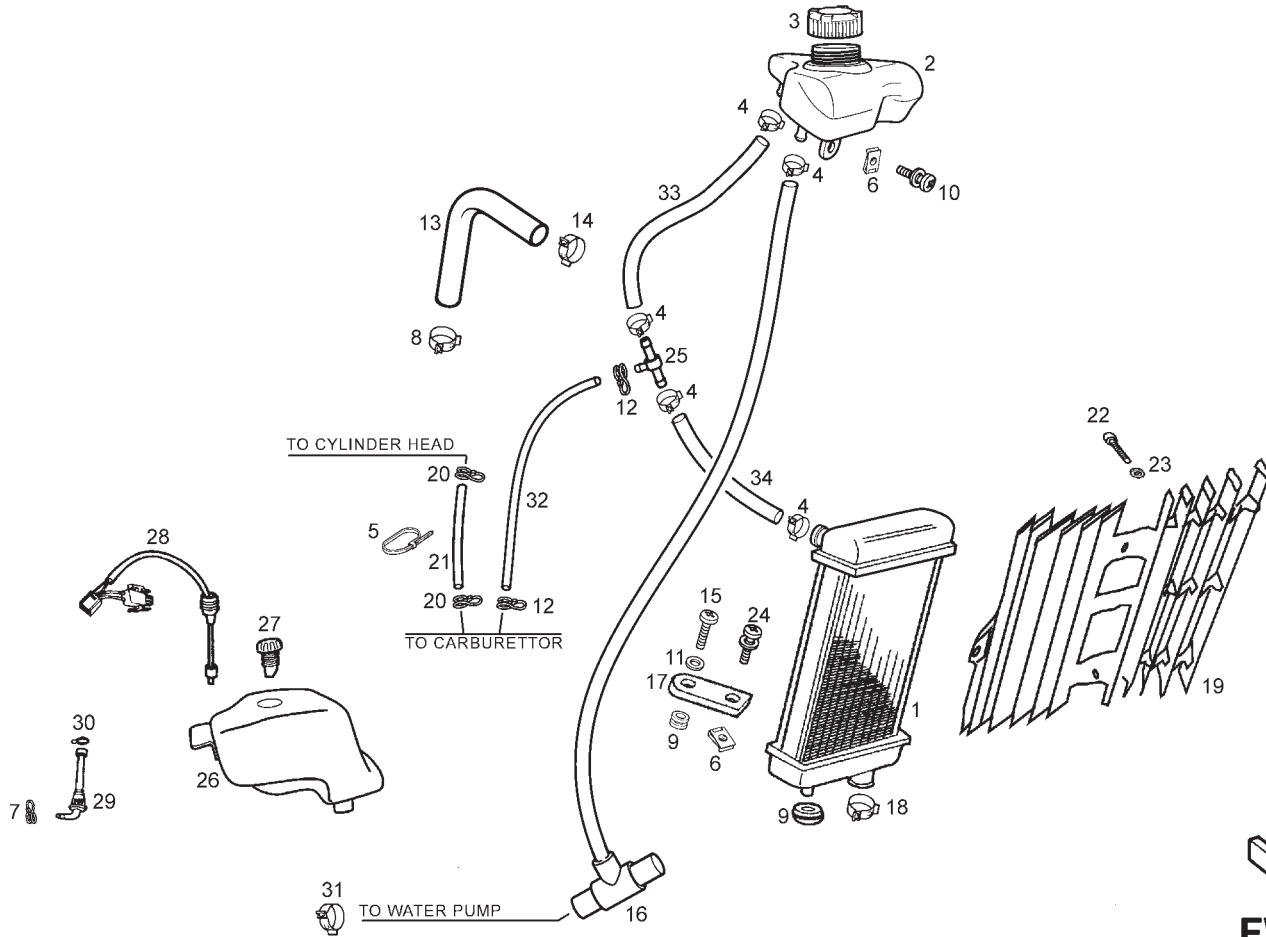


Fig.	Ver.	COD. KOD.	DESCRIPCIÓN DENOMINAZIONE NAME	BEZEICHNUNG DESIGNATION	MOD.	NOTAS NOTES NOTA MITSCHRIFT NOTES
23A		00D02600631	ARANDELA RONDELLA WASHER	SCHEIBE RONDELLE	1 2 3 4	UNTIL FRAME 7H359740
24A		00H03802091	ABRAZADERA 23/8 W4 FASCETTA CLAMP	FLANGE BRIDE	1 2 3 4	UNTIL FRAME 7H359740
25A		00D05900031	SCTO TORNILLO 6M100X10 VITE SCREW	SCHRAUBE VIS	1 2 3 4	UNTIL FRAME 7H359740
26A		00H03704081	SCTO.DEPOSITO ACEITE SUBSERBATOIO OLIO SE OIL, TANK	OILTANK RESERVOIR D,HUILE	1 2 3 4	UNTIL FRAME 7H359740
27A		00F03710241	CTO.TAPON DEPOSITO ACEITE TAPPO SERBATOIO OLIO OIL RESERVOIR FILLER PLUG ASSY	STOPFEN OELTANK ENS. BOUCHON RESERV.HUILE S	1 2 3 4	UNTIL FRAME 7H359740
28A		00H03703051	CTO. INDICADOR NIVEL ACEITE TAPPO SERBATOIO OLIO OIL RESERVOIR FILLER PLUG ASSY	OLSTANDSGEBER NIVEAU D#HUILE	1 2 3 4	UNTIL FRAME 7H359740
29A		00H03701411	CTO FILTRO ACEITE. FILTRO OLIO BY-PAS OIL FILTER	FILTER FILTRE A HUILLE	1 2 3 4	UNTIL FRAME 7H359740
30A		00G00400501	ABRAZADERA FIJ. GRIFO FASCETTA ELASTICA CLAMP	BEF.-SCHELLE ENTRETOISE	1 2 3 4	UNTIL FRAME 7H359740
31A		00D03700131	ABRAZADERA ELASTICA 9,8-10,4 FASCETTA CLAMP	FLANGE BRIDE	1 2 3 4	UNTIL FRAME 7H359740
32A		00H03804971	SCTO TUBO DEPOSITO EXP-CARB. TUBO TUBE	SCHLAUCH TUYAU	1 2 3 4	UNTIL FRAME 7H359740
33A		00H03800751	ABRAZADERA 21/8 W4 FASCETTA CLAMP	FLANGE BRIDE	1 2 3 4	UNTIL FRAME 7H359740



2nd VERSION



Fig.	Ver.	COD. KOD.	DESCRIPCIÓN DENOMINAZIONE NAME	BEZEICHNUNG DESIGNATION	MOD.	NOTAS NOTES NOTA MITSCHRIFT NOTES
01A		00H03805011	SCTO. RADIADOR SUBRADIATORE RADIATOR ASSY.	RADIATOR ASSY. RADIATEUR	1 2 3 4 5 6	SINCE FRAME 7H359741
02A		00H03810501	DEPOSITO AGUA RADIADOR SERBATOIO ACQUA RADIATORE WATER TANK	WASSERBEHALTER VASE DI EXPANSION	1 2 3 4 5 6	SINCE FRAME 7H359741
03A		00H03802472	CTO.TAPON DEPOSITO AGUA TAPPO RADIATORE/SERBATOIO WATER RESERVOIR/RAD CAP ASSY	KUEHLERDECKEL BOUCHON DE RESERVOIR D,EAU	1 2 3 4 5 6	SINCE FRAME 7H359741
04A		00G03801701	ABRAZADERA 13/8 W4 FASCETTA CLAMP	FLANGE BRIDE	1 2 3 4 5 6	SINCE FRAME 7H359741
05A		00D00900531	BRIDA 200 X 3,6 FLANGIA UNIONE CAVI BLACK CABLE TIE	KABELBINDER COLLIER	1 2 3 4 5 6	SINCE FRAME 7H359741
06A		00D01501371	TUERCA FIJ. D6 DADO NUT	MUTTER ECROU	1 2 3 4 5 6	SINCE FRAME 7H359741
07A		00F03710131	ABRAZADERA ELASTICA FASCETTA CLAMP	FLANGE BRIDE	1 2 3 4 5 6	SINCE FRAME 7H359741
08A		00H03802751	ABRAZADERA 24/8W4 FASCETTA CLAMP	BEF. SCHELLE COLLIER	1 2 3 4 5 6	SINCE FRAME 7H359741
09A		00008915020	PROTECCION CABLES PROTEZIONE CAVI RUBBER,CABLE PROTECTOR	GUMMI PASSE-CABLE	1 2 3 4 5 6	SINCE FRAME 7H359741
10A		00H05900021	SCTO TORNILLO 6M100X16 VITE SCREW	SCHRAUBE VIS	1 2 3 4 5 6	SINCE FRAME 7H359741

2nd VERSION

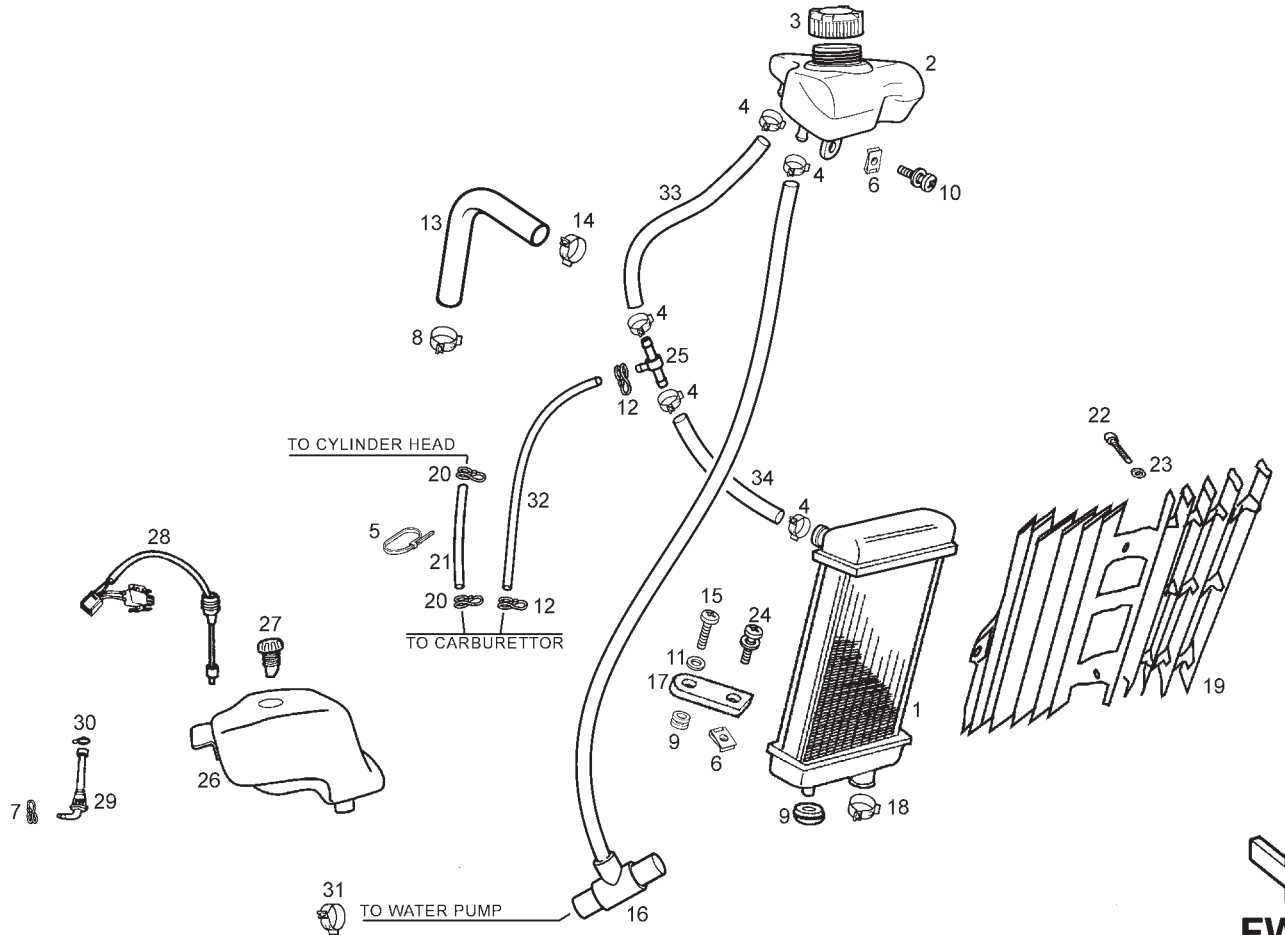
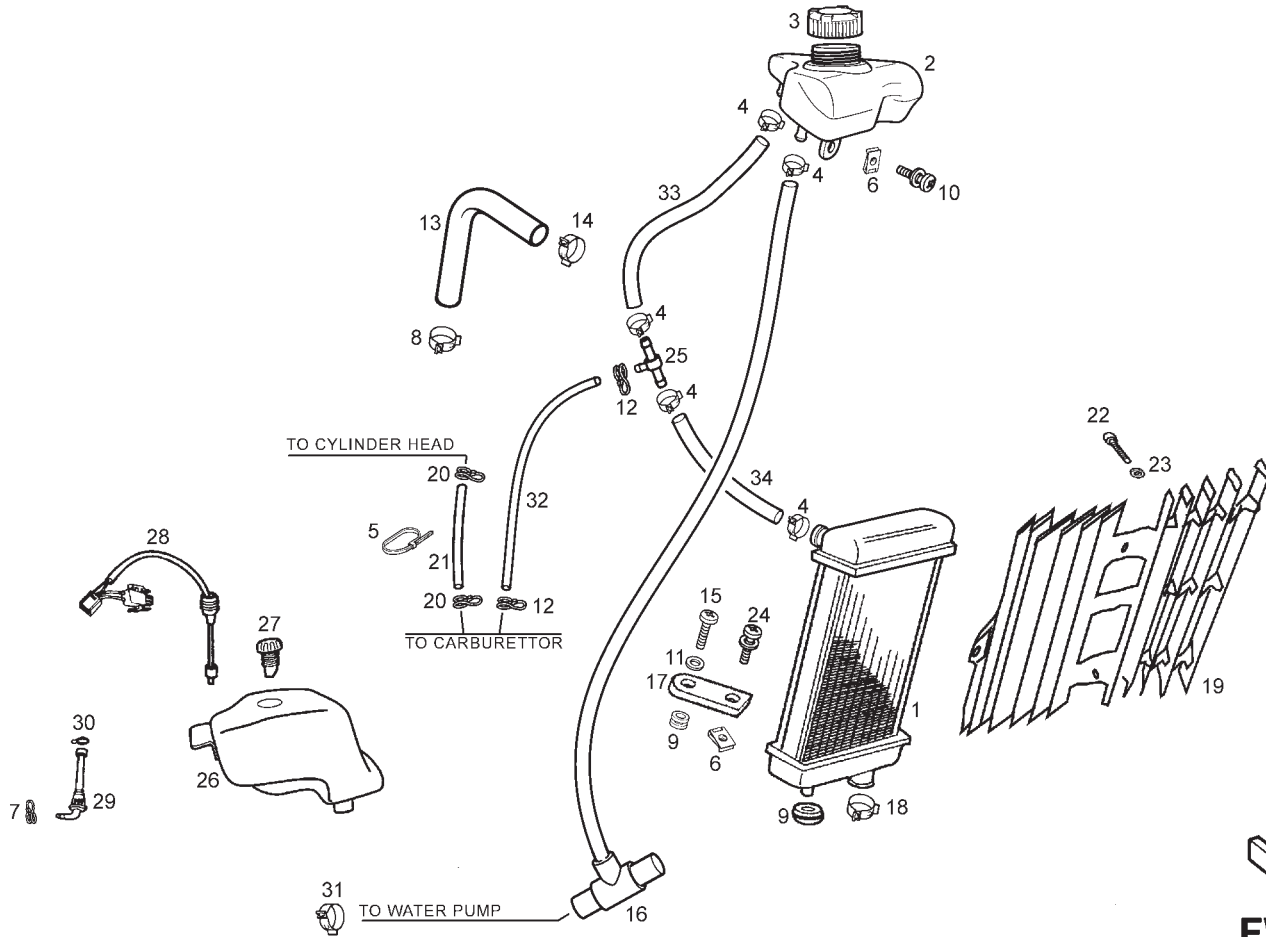


Fig.	Ver.	COD. KOD.	DESCRIPCIÓN DENOMINAZIONE NAME	BEZEICHNUNG DESIGNATION	MOD.	NOTAS NOTES NOTA MITSCHRIFT NOTES
11A		00D01500552	CAZOLETA SCADELLINO FISSAGGIO HOUSING EXHAUST PIPE SUPPORT	ABDECKSCHEIBE CUVETTE	1 2 3 4 5 6	SINCE FRAME 7H359741
12A		00H00400501	ABRAZADERA ELASTICA FASCETTA CLAMP	FLANGE BRIDE	1 2 3 4 5 6	SINCE FRAME 7H359741
13A	01	00H03808021	TUBO CULATA-RADIADOR TUBO TESTATA-RACCORDO TERMOCON CYLINDER HEAD PIPE-TERMOCONTAC	WASSERSCHLAUCH TUBE	1 2 3 4 5 6	SINCE FRAME 7H359741
13A		86138R	TUBO CULATA-RADIADOR TUBO TESTATA-RACCORDO TERMOCON CYLINDER HEAD PIPE-TERMOCONTAC	WASSERSCHLAUCH TUBE	1 2 3 4 5 6	SINCE FRAME 7H359741
14A		00H03800751	ABRAZADERA 21/8W4 FLANGIA FISSAGGIO SECURING CLAMP	BEF.-SHELLE COLLIER	1 2 3 4 5 6	SINCE FRAME 7H359741
15A		00000004612	TORNILLO C/ALLEN 6M100X12 VITE SCREW	SCHRAUBE VIS	1 2 3 4 5 6	SINCE FRAME 7H359741
16A		862493	TUBO RADIADOR A BOMBA/DEPOSITO TUBO REFRIGERAZIONE POMPA-RADI RADIATOR PUMP RUBBER TUBE	KUHLMITTELSCHLAUCH PUMPE K TUBE POMPE-RADIATEUR	1 2 3 4 5 6	SINCE FRAME 7H359741
17A		00G02200692	OREJA SUP.SOPORTE RADIADOR PIASTRA SUPPORTO SUPERIORE UPPER RADIATOR SUPPORT	OESE KUEHLERBLOCK OREILLE SUPERIEURE SUPPORT RAD	1 2 3 4 5 6	SINCE FRAME 7H359741
18A		00H03800751	ABRAZADERA 21/8 W4 FASCETTA CLAMP	FLANGE BRIDE	1 2 3 4 5 6	SINCE FRAME 7H359741
19A		00H03805301	REJILLA RADIADOR GRIGLIA RADIATORE RADIATOR GRID	RADIATOR RADIATEUR	1 2 3 4 5 6	SINCE FRAME 7H359741



2nd VERSION



Fig.	Ver.	COD. KOD.	DESCRIPCIÓN DENOMINAZIONE NAME	BEZEICHNUNG DESIGNATION	MOD.	NOTAS NOTES NOTA MITSCHRIFT NOTES
20A		00H00400501	ABRAZADERA ELASTICA 7,8-8,3 TUBO TUBE	SCHLAUCH TUYAU	1 2 3 4 5 6	SINCE FRAME 7H359741
21A		00H03801961	TUBO CARBURADOR A RACORD CULATA FASCETTA CLAMP	FLANGE BRIDE	1 2 3 4 5 6	SINCE FRAME 7H359741
22A		00011141300	TORNILLO AUT.C/CR.NG.4,8X13 VITE SCREW	SCHRAUBE VIS	1 2 3 4 5 6	SINCE FRAME 7H359741
23A		00D02600631	ARANDELA RONDELLA WASHER	SCHEIBE RONDELLE	1 2 3 4 5 6	SINCE FRAME 7H359741
24A		00002061011	TORNILLO 6M100X10 VITE SCREW	SCHRAUBE VIS	1 2 3 4 5 6	SINCE FRAME 7H359741
25A		862541	RACORD «T» RACCORDO RACORD	RACORD RACCORD	1 2 3 4 5 6	SINCE FRAME 7H359741
26A		00H03704081	SCTO.DEPOSITO ACEITE SUBSERBATOIO OLIO SE OIL, TANK	OILTANK RESERVOIR D,HUILE	1 2 3 4 5 6	SINCE FRAME 7H359741
27A		00F03710241	CTO.TAPON DEPOSITO ACEITE TAPPO SERBATOIO OLIO OIL RESERVOIR FILLER PLUG ASSY	STOPFEN OELTANK ENS. BOUCHON RESERV.HUILE S	1 2 3 4 5 6	SINCE FRAME 7H359741
28A		00H03703051	CTO. INDICADOR NIVEL ACEITE TAPPO SERBATOIO OLIO OIL RESERVOIR FILLER PLUG ASSY	OLSTANDSGEBER NIVEAU D'HUILE	1 2 3 4 5 6	SINCE FRAME 7H359741
29A		00H03701411	CTO.FILTRO ACEITE. FILTRO OLIO BY-PAS OIL FILTER	FILTER FILTRE A HUILLE	1 2 3 4 5 6	SINCE FRAME 7H359741

2nd VERSION

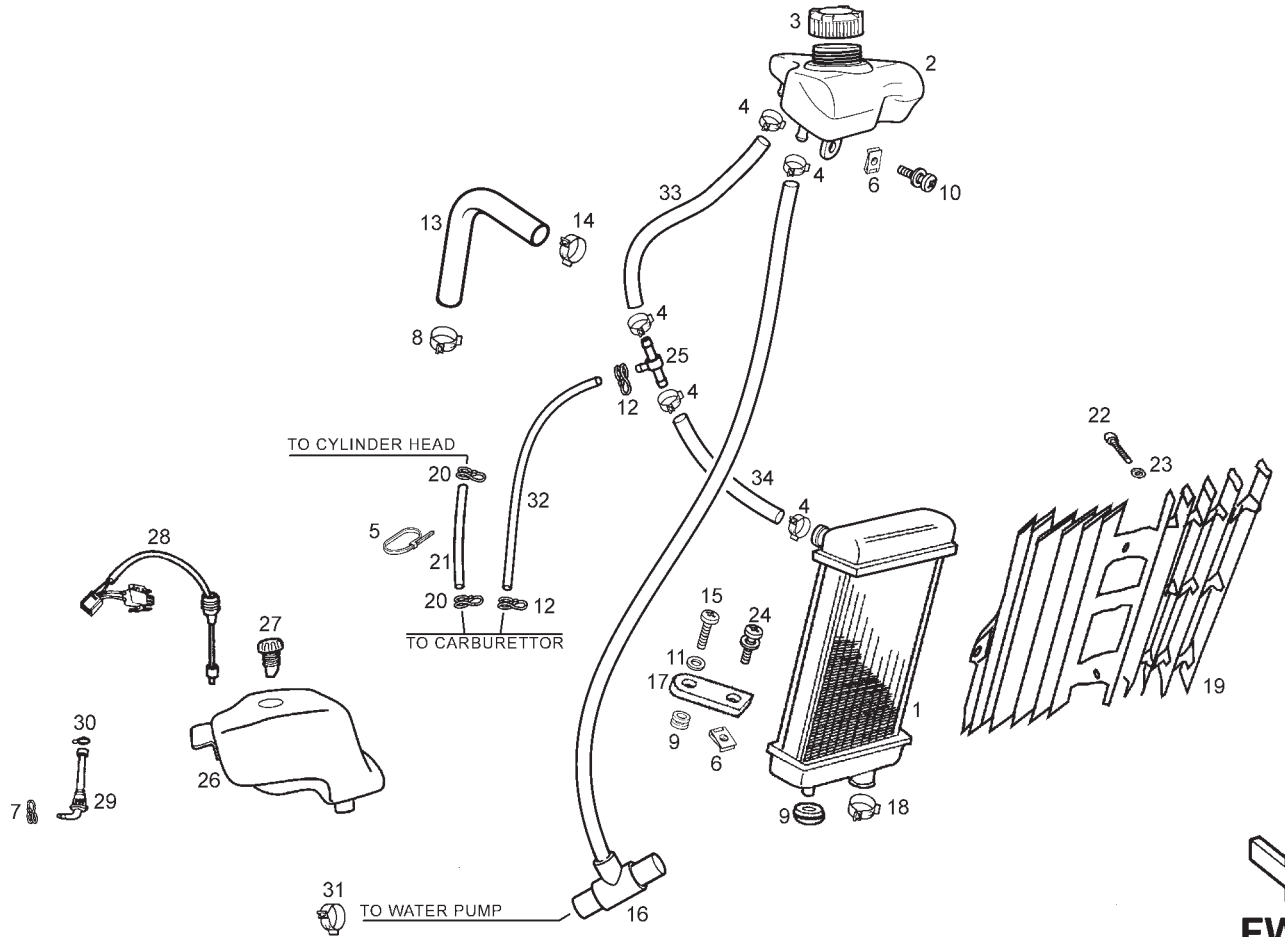


Fig.	Ver.	COD. KOD.	DESCRIPCIÓN DENOMINAZIONE NAME	BEZEICHNUNG DESIGNATION	MOD.	NOTAS NOTES NOTA MITSCHRIFT NOTES
30A		00G00400501	ABRAZADERA FIJ. GRIFO FASCETTA ELASTICA CLAMP	BEF.-SCHELLE ENTRETOISE	1 2 3 4 5 6	SINCE FRAME 7H359741
31A		00H03800751	ABRAZADERA 21/8 W4 FASCETTA CLAMP	FLANGE BRIDE	1 2 3 4 5 6	SINCE FRAME 7H359741
32A		862543	TUBO RACORD A CARBURADOR TUBO TUBE	SCHLAUCH TUYAU	1 2 3 4 5 6	SINCE FRAME 7H359741
33A		862542	TUBO DEPOSITO A RACORD TUBO TUBE	SCHLAUCH TUYAU	1 2 3 4 5 6	SINCE FRAME 7H359741
34A		862544	TUBO RACORD A RADIADOR TUBO TUBE	SCHLAUCH TUYAU	1 2 3 4 5 6	SINCE FRAME 7H359741

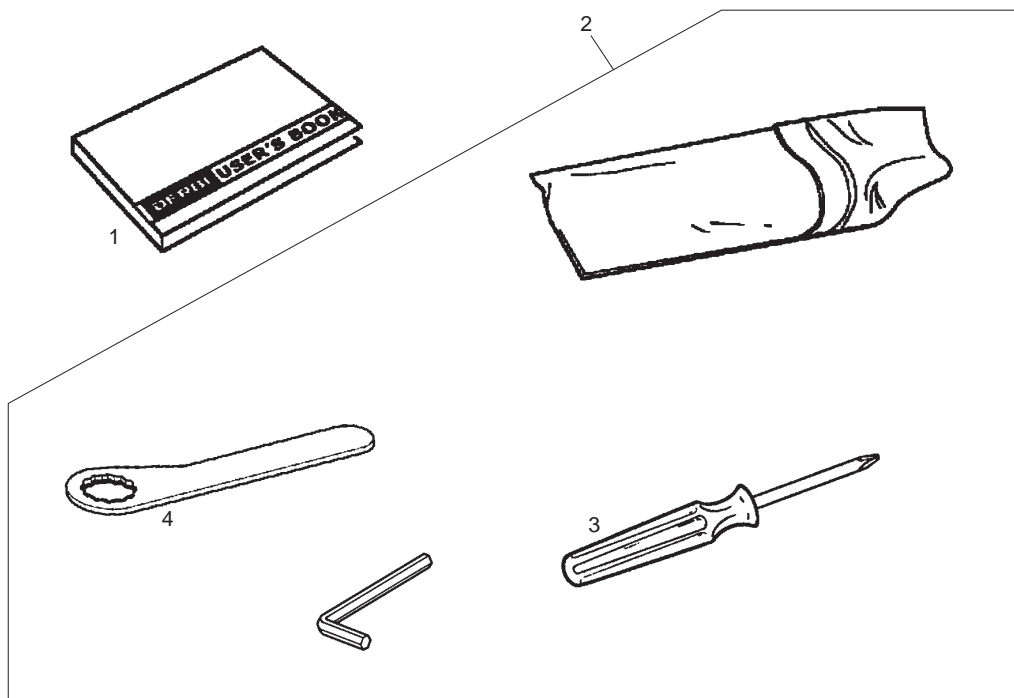


Fig.	Ver.	COD. KOD.	DESCRIPCIÓN DENOMINAZIONE NAME	BEZEICHNUNG DESIGNATION	MOD.	NOTAS NOTES NOTA MITSCHRIFT NOTES
01A		00H05155121	MANUAL INSTRUCCIONES LIBRETTI DI ISTRUZIONI USER'S BOOK	BEDIENUNGSANLEITUNG MANUEL D'INSTRUCTIONS	1 2 3 4 5 6	
02A		00H05101561	CTO BOLSA HERRAMIENTAS SACCO FERRI TOOL POUCH	WERKZEUGTASCHE TROUSSE A OUTILS	1 2 3 4 5 6	
03A		00005551290	DESTORNILLADOR. CACCIAVITE SCREW DRIVER	SCHRAUBENZIEHER TOURNEVIS	1 2 3 4 5 6	
04A		00H05101011	SCTO.LLAVE BUJIA SUBCHIAVE CANDELA SE SPARK PLUG	ZUND KERZENSCHLUSSEL CLE A BOUGIE	1 2 3 4 5 6	

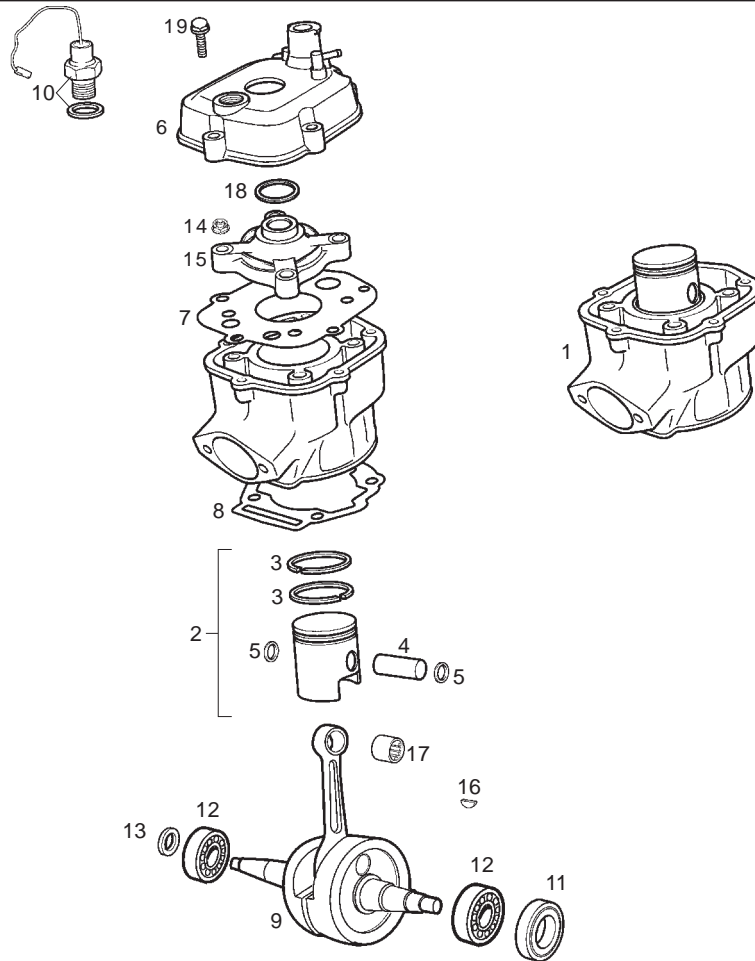


Fig.	Ver.	COD. KOD.	DESCRIPCIÓN DENOMINAZIONE NAME	BEZEICHNUNG DESIGNATION	MOD.	NOTAS NOTES NOTA MITSCHRIFT NOTES
01A		847508	R-CTO CILINDRO PISTON COMP.CILINDRO PISTONE CYLINDER PISTON ASSEMBLY	ZYLINDER UND KOLBEN CYLINDRE ET PISTON COMPLET	1 2 3 4 5 6	
02A		8472625001	CTO.PISTON (A) PISTONE (A) PISTON (A)	KOLBEN KOMPL.(A) PISTON-COMPLET (A)	1 2 3 4 5 6	
02B		8472625002	CTO.PISTON (B) PISTONE (B) PISTON (B)	KOLBEN KOMPL. (B) PISTON-COMPLET (B)	1 2 3 4 5 6	
02C		8472625003	CTO.PISTON (C) PISTONE (C) PISTON (C)	KOLBEN KOMPL. (C) PISTON-COMPLET (C)	1 2 3 4 5 6	
02D		8472625004	CTO.PISTON (D) PISTONE (D) PISTON (D)	KOLBEN KOMPL. (D) PISTON-COMPLET (D)	1 2 3 4 5 6	
03A		847006	R-ARO PISTON.SENDA R-SEGMENTO PISTONE PISTON RING	KOLBENDICHTRING SEGMENT DE PISTON	1 2 3 4 5 6	
04A		847012	R-BULON PISTON SPINOTTO PISTONE PISTON PIN	KOLBENBOLZEN AXE PISTON	1 2 3 4 5 6	
05A		847178	R-ANILLO BULON R-SEGMENTO SPINOTTO CIRCLIP, PISTON PIN	SICHERUNGSRING CLIPS AXE PISTON	1 2 3 4 5 6	
06A		CM151902	SCTO.TAPA CULATIN COPERCHIO TESTA CYLINDER HEAD COVER	ZYLINDERKOPF DECKEL COUVERCLE CULASSE	1 2 3 4 5 6	
07A		847009	JUNTA CULATA CILINDRO GUARNIZIONE TESTA GASKET CYLINDER HEAD	ZYLINDERKOPFDICHTUNG JOINT DE CULASSE	1 2 3 4 5 6	
08A		847014	JUNTA CILINDRO GUARNIZIONE CILINDRO GASKET, CYLINDER	ZYLINDERPUBDICHTUNG JOINT DE CYLINDRE	1 2 3 4 5 6	

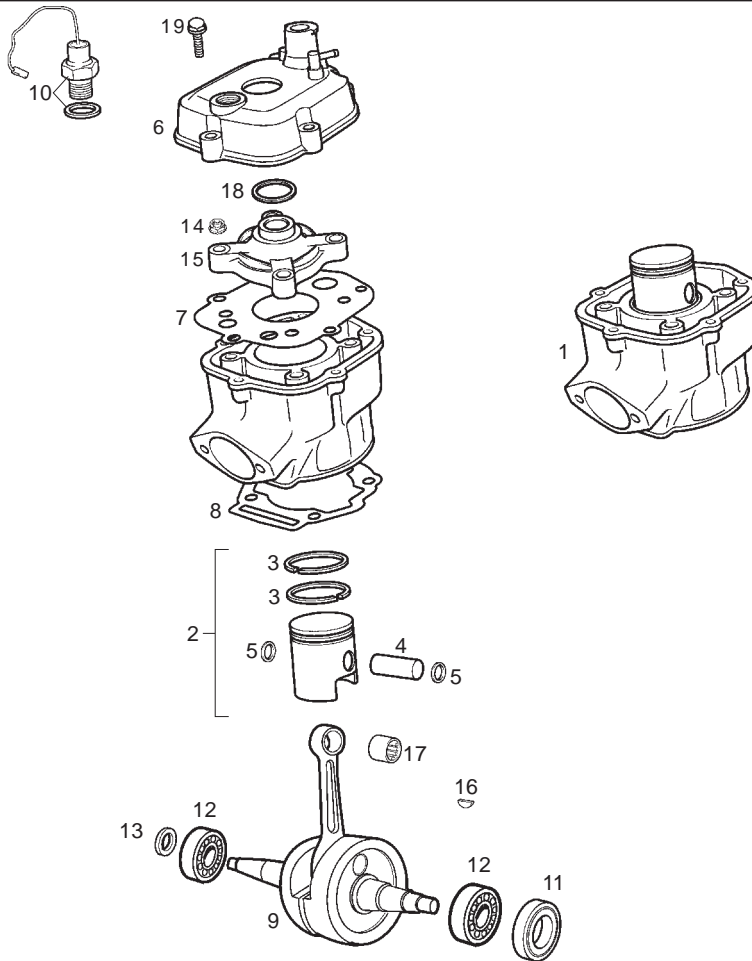


Fig.	Ver.	COD. KOD.	DESCRIPCIÓN DENOMINAZIONE NAME	BEZEICHNUNG DESIGNATION	MOD.	NOTAS NOTES NOTA MITSCHRIFT NOTES
09A		847026	CTO CIGÜEÑAL-BIELA ALBERO MOTORE CRANK SHAFT ROD	KURBELWELLE VILEBREQUIN COMPLET	1 2 3 4 5 6	
10A		847010	TERMOCONTACTO TERMOCONTATTO TERMOCONTACT	THERMOKONTAKT TERMOCONTATTO	1 2 3 4 5 6	
11A		847020	RETEN CIGUEÑAL GIUNTO TENUTA SEAL	DICHTRING JOINT	1 2 3 4 5 6	
12A		847172	COJINETE CUSCINETTO BEARING	LAGER COUSSINET	1 2 3 4 5 6	
13A		847020	RETEN CIGUEÑAL GIUNTO TENUTA SEAL	DICHTRING JOINT	1 2 3 4 5 6	
14A		436947	TUERCA EXAGONAL C/BRIDA 7M100 DADO NUT	MUTTER ECROU	1 2 3 4 5 6	
15A		847008	CULATIN TESTA CYLINDER HEAD	ZYLINDERKOPF CULASSE	1 2 3 4 5 6	
16A		847215	CHAVETA VOLANTE MAGNETICO SPINA KEY	KEIL CLAVETTE	1 2 3 4 5 6	
17A		847529	JAULA PIE BIELA GABBIA PIEDE BIELLA BEARING, PISTON PIN	NADELLAGER CAGE A AIGUILLE DE PIED DE	1 2 3 4 5 6	
18A		847007	JUNTA TORICA CULATIN GUARNIZIONE TESTA GASKET CYLINDER HEAD	ZYLINDERKOPFDICHTUNG JOINT DE CULASSE	1 2 3 4 5 6	
19A		CM149804	TORNILLO FIJACION TAPA 6X25 VITE SCREW	SCHRAUBE VIS	1 2 3 4 5 6	

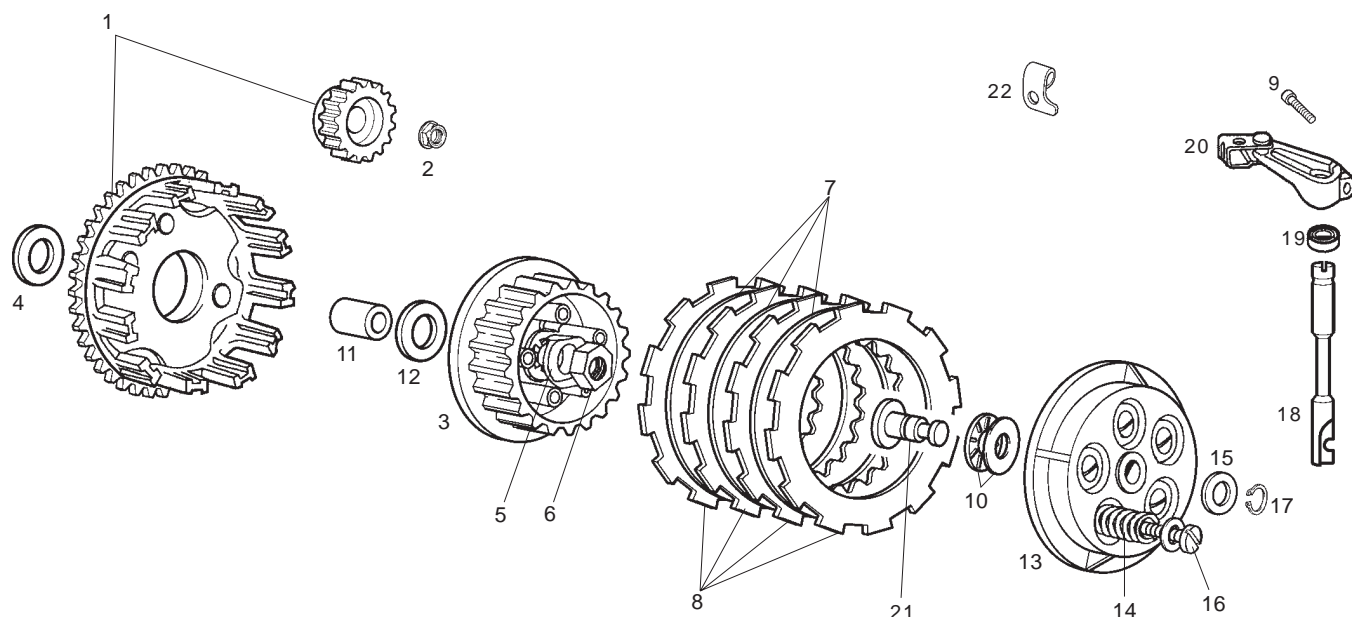


Fig.	Ver.	COD. KOD.	DESCRIPCIÓN DENOMINAZIONE NAME	BEZEICHNUNG DESIGNATION	MOD.	NOTAS NOTES NOTA MITSCHRIFT NOTES
01A		847098	CTO. RUEDA AMORT. EMBRAGUE R-RUOTA FRIZIONE CLUTCH HOUSING AND DAMPER	KUPPLUNGSRAD CLOCHE EMBRAYAGE AVEC PIGNO	1 2 3 4 5 6	
02A		847217	TUERCA C/BASE 10M100 DADO NUT	MUTTER ECROU	1 2 3 4 5 6	
03A		847045	CAMPANA CONDUCCIDA CAMPANA GUIDATA CLUTCH HUB.	GLOCKE TAMBOUR EMBRAYAGE	1 2 3 4 5 6	
04A		847218	ARANDELA PROTEC.INT.BUJE EMBRAG. RONDELLA WASHER	SCHEIBE RONDELLE	1 2 3 4 5 6	
05A		847220	PRECTO.TCA.EMBRG. PIASTRINA DADO FRIZIONE WASHER, RETAINING	SICHERUNG FREIN DIECROU DIEMBAYAGE	1 2 3 4 5 6	
06A		847221	TUERCA EMBRAGUE DADO NUT	MUTTER ECROU	1 2 3 4 5 6	
07A		847043	DISCO CONDUCCIDO DISCO GUIDATO DRIVEN CLUTCH PLATE	SCHEIBE DISQUE EMBRAYAGE LISSE	1 2 3 4 5 6	
08A		847044	SCTO.DISCO CONDUCTOR SUBDISCO GUIDA CLUTCH PLATE	KUPPLUNGSRELAG DISQUE EMBRAYAGE GARNI	1 2 3 4 5 6	
09A		847179	TORNILLO 6M100X20 VITE SCREW	SCHRAUBE VIS	1 2 3 4 5 6	
10A		82835R	RODAMTO.AXIAL CREMALL.EMBRG. CUSCINETTO SFERE RADIALE CREMA BALL BEARING	LAGER ROULEMENT AXIAL	1 2 3 4 5 6	
11A		847040	CASQUILLO BUJE EMBRAGUE GHIERA BRONZINA FRIZIONE BUSHING	FUHRUNGSBUCHSE GABELSCHENK ENTRETOISE	1 2 3 4 5 6	

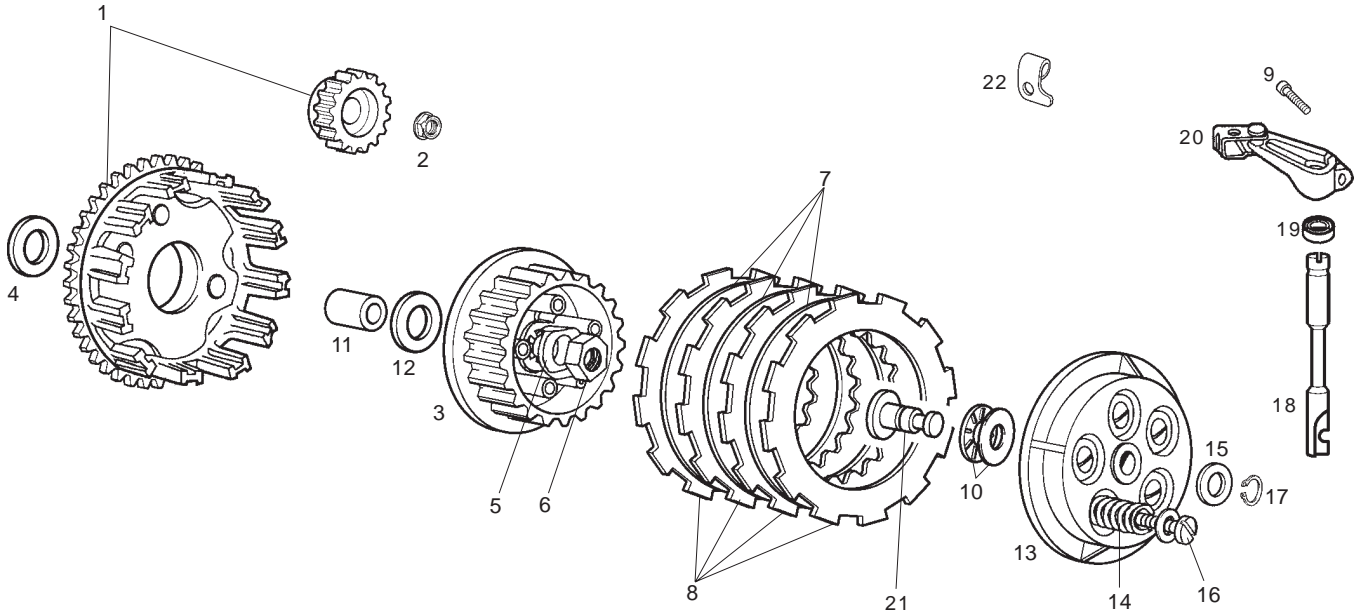


Fig.	Ver.	COD. KOD.	DESCRIPCIÓN DENOMINAZIONE NAME	BEZEICHNUNG DESIGNATION	MOD.	NOTAS NOTES NOTA MITSCHRIFT NOTES
12A		847042	ARANDELA ROZAMTO.CAMPANA. RONDELLA WASHER	SCHEIBE RONDELLE	1 2 3 4 5 6	
13A		847046	TAPA CIERRE EMBRAG COPERCHIO CHIUSURA FRIZIONE G. OUTER CLUTCH PLATE	KUPPLINGS-VERSCHLUSSECKEL PLATEAU EXTERIEUR D,EMBRAYA	1 2 3 4 5 6	
14A		847047	MUELLE REGULAC. EMBRAGUE MOLLA REGOLAZIONE FRIZIONE CLUTCH SPRING	STELLFEDER RESORT REGLAGE	1 2 3 4 5 6	
15A		847224	ARANDELA TOPE PIÑON INTERMD. RONDELLA WASHER	SCHEIBE RONDELLE	1 2 3 4 5 6	
16A		847048	SCTO. TORNILLO 5M80X35 VITE SCREW	SCHRAUBE VIS	1 2 3 4 5 6	
17A		847225	ANILLO SEGURIDAD ANELLO SICUREZZA CIRCLIP	SEEGERRING CIRCLIP	1 2 3 4 5 6	
18A		847083	EJE DESEMBRAGUE ASSE DISINNESCO FRIZIONE CLUTCH SHAFT	KUPPLINGSACHSE AXE	1 2 3 4 5 6	
19A		847075	RETEN EJE MANDO GIUNTO TENUTA SEAL	DICHTRING JOINT	1 2 3 4 5 6	
20A		CM151201	SCTO.PALANCA DESEMBRAGUE SUBLEVA DISINNESCO F CLUTCH LEVER	KUPPLINGSHEBEL LEVIER EMBAYAGE	1 2 3 4 5 6	
21A		847223	DESPLAZABLE EMBRAGUE ASSE FRIZIONE CLUTCH SHAFT	KUPPLINGSACHSE AXE	1 2 3 4 5 6	
22A		847090	PLACA TENSOR CABLE EMBRAGUE PIASTRINA PLATE	PLATTE PLAQUE	1 2 3 4 5 6	

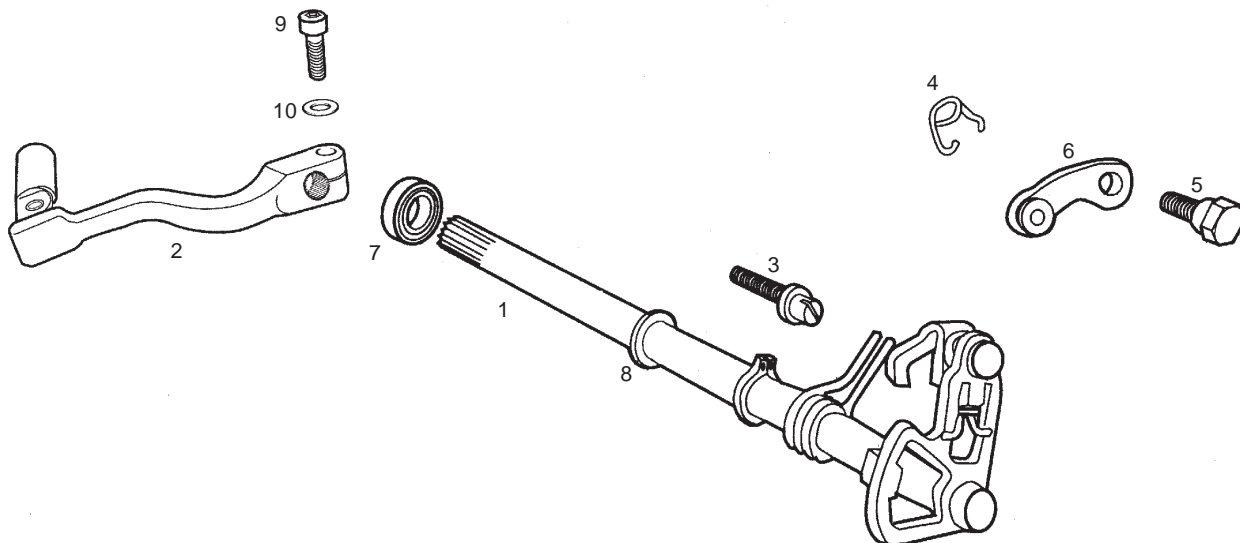


Fig.	Ver.	COD. KOD.	DESCRIPCIÓN DENOMINAZIONE NAME	BEZEICHUNG DESIGNATION	MOD.	NOTAS NOTES NOTA MITSCHRIFT NOTES
01A		847236	EJE SELECTOR SUBASSE SELETTORE S-ASSY. SELECTOR SHAFT	SCHALTACHSE S-ENSEMBLE AXE SELECTEUR	123456	
02A		00H02703421	CTO PALANCA CAMBIO LEVA CAMBIO GEARSHIFT ASSY.	GRUPPE GANGSCHALTHEBEL PEDALE DE SELECTEUR	123456	
03A		847073	ESPARRAGO MUELLE SELECTOR BULLONE MOLLA SELETTORE SCREW, SELECTOR SPRING ADJ.	FEDERSTIFT AXE EXCENTRIQUE	123456	
04A		847069	MUELLE FIJ.MARCHAS. MOLLA FISSAGGIO MARCE GEAR FIXING SPARING	BEF.-FEDER RESSORT	123456	
05A		847070	TORNILLO VITE SCREW	SCHRAUBE VIS	123456	
06A		847068	SCTO.PALANCA FIJ.MARCHAS. SUBLEVA FISSAGGIO MA LEVER FIXING GEARS	GANSCHALTHEEEL LEVIER FIXATION PIGNONS	123456	
07A		847075	RETEN EJE MANDO RICHIAMO ASSE COMANDO SELETTOR OIL SEAL, SELECTOR SHAFT	SIMMERRING JOINT ANTI-FUITE	123456	
08A		847228	ARANDELA SEGURO TAMBOR RONDELLA WASHER	SCHEIBE RONDELLE	123456	
09A		00002062511	TORNILLO C/ALLEN 6M100X25 VITE SCREW	SCHRAUBE VIS	123456	
10A		00442060002	ARANDELA MUELLE D6 RONDELLA WASHER	SCHEIBE RONDELLE	123456	

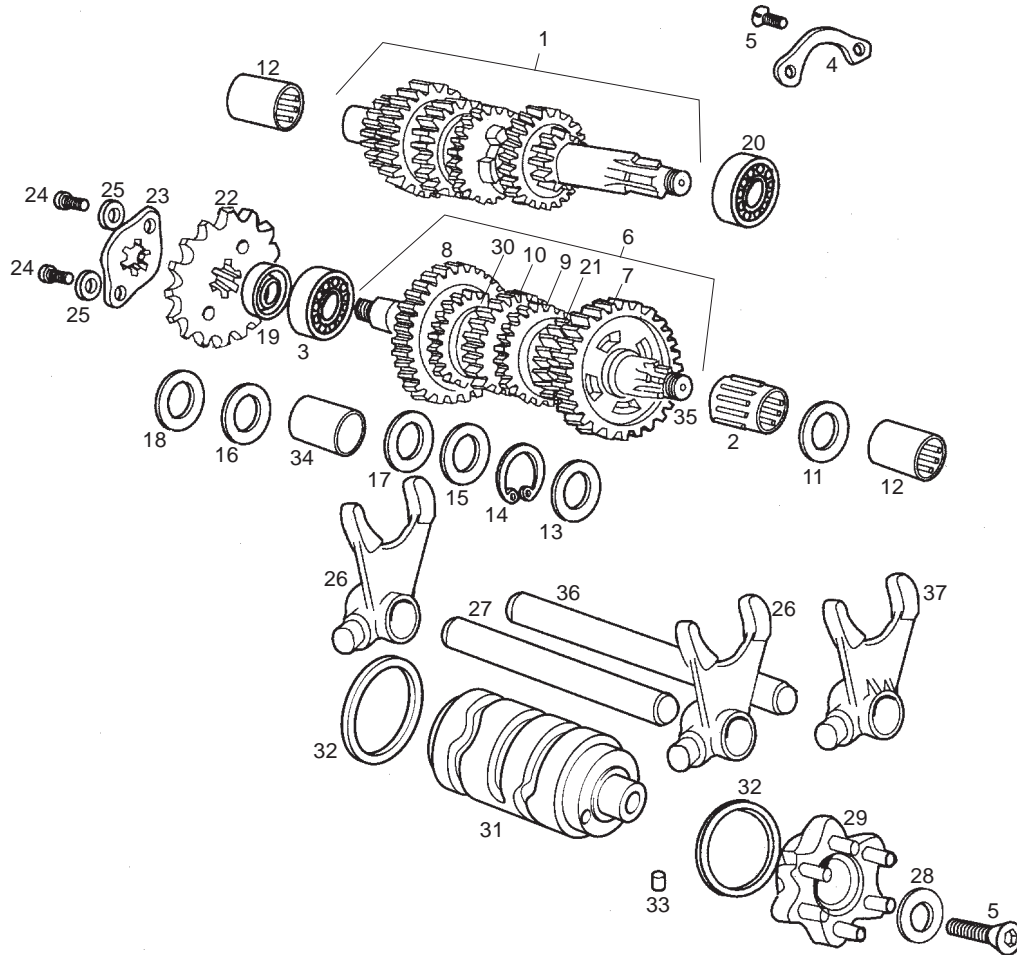


Fig.	Ver.	COD. KOD.	DESCRIPCIÓN DENOMINAZIONE NAME	BEZEICHUNG DESIGNATION	MOD.	NOTAS NOTES NOTA MITSCHRIFT NOTES
01A		847027	SCTO. EJE PRIMARIO 6V SUBASSE PRIMARIO DRIVE SHAFT.	PRIMARCHSE AXE PRIMAIRE	1 2 3 4 5 6	
02A		847544	CORONA AGUJAS PIÑON CORONA RULLINI PIGNONE NEEDLE BEARING	BADELLGER ROULEMENT AIGUILLES	1 2 3 4 5 6	
03A		847086	COJINETE CUSCINETTO BEARING	LAGER COUSSINET	1 2 3 4 5 6	
04A		847021	PRECINTO COJINETE EJE PRIMARIO PIASTRINA CUSCINETTO ASSE PRIM PLATE POSITION BALL BEARINGS	KUGELLEGERPRIMDRACHSE BUTEE DE ROULEMENT	1 2 3 4 5 6	
05A		847210	TORNILLO AV.ALL.5M80X10 VITE SCREW	SCHRAUBE VIS	1 2 3 4 5 6	
06A		847028	CTO. EJE SECUNDARIO 6V ASSE SECONDARIO OUTPUT SHAFT	SEKUNDRACHSE AXE SECONDAIRE MONTE COMPLE	1 2 3 4 5 6	
07A		847153	PIÑON SECUNDARIO I Z-34 PIGNONE GEAR	RITZEL PIGNON	1 2 3 4 5 6	
08A		847157	PIÑON SECUNDARIO II Z-30 PIGNONE GEAR	RITZEL PIGNON	1 2 3 4 5 6	
09A		847155	PIÑON SECUNDARIO III Z-27 PIGNONE GEAR	RITZEL PIGNON	1 2 3 4 5 6	
10A		847156	PIÑON SECUNDARIO IV Z-24 PIGNONE GEAR	RITZEL PIGNON	1 2 3 4 5 6	
11A		847549	ARANDELA REGLAJE EJE SECUNDARIO RONDELLA WASHER	SCHEIBE RONDELLE	1 2 3 4 5 6	

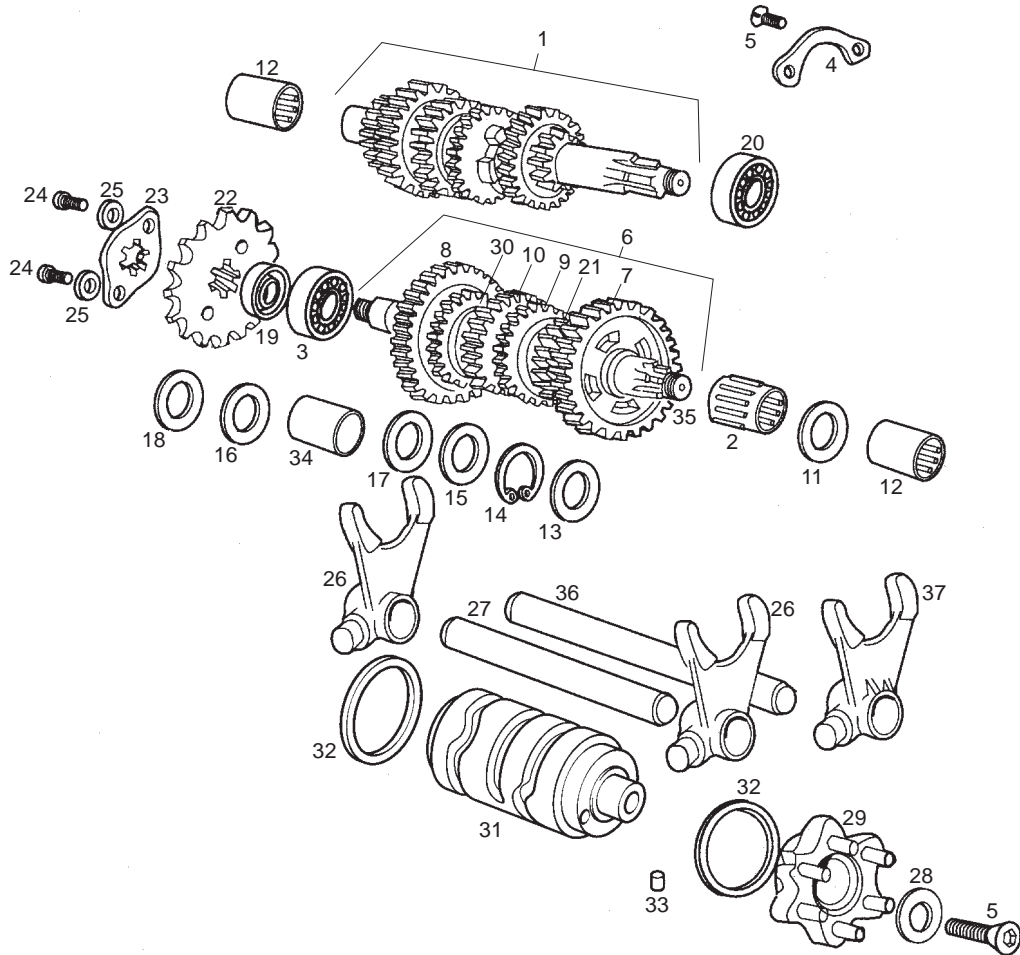


Fig.	Ver.	COD. KOD.	DESCRIPCIÓN DENOMINAZIONE NAME	BEZEICHUNG DESIGNATION	MOD.	NOTAS NOTES NOTA MITSCHRIFT NOTES
12A		847211	CASQUILLO AGUJAS GHIERA RULLINI NEEDLE BEARING	NADELLGER CAGE A AIGUILLES	1 2 3 4 5 6	
13A		847550	ARANDELA ROZAMTO.PIÑON SECUND.I RONDELLA WASHER	SCHEIBE RONDELLE	1 2 3 4 5 6	
14A		847542	ANILLO SEGURIDAD ANELLO SICUREZZA CIRCLIP	SEEGERRING CIRCLIP	1 2 3 4 5 6	
15A		847548	ARANDELA RONDELLA WASHER	SCHEIBE RONDELLE	1 2 3 4 5 6	
16A		847541	ARANDELA RONDELLA WASHER	SCHEIBE RONDELLE	1 2 3 4 5 6	
17A		847546	ARANDELA RONDELLA WASHER	SCHEIBE RONDELLE	1 2 3 4 5 6	
18A		847545	ARANDELA RONDELLA WASHER	SCHEIBE RONDELLE	1 2 3 4 5 6	
19A		847019	RETEN.PIÑON SALIDA CAMBIO GIUNTO TENUTA SEAL	DICHRING JOINT	1 2 3 4 5 6	
20A		847209	COJINETE CUSCINETTO BEARING	LAGER COUSSINET	1 2 3 4 5 6	
21A		847154	PIÑON SECUNDARIO V Z-23 PIGNONE GEAR	RITZEL PIGNON	1 2 3 4 5 6	
22A		00H02813371	PIÑON SALIDA CAMBIO Z-11 PIGNONE GEAR	RITZEL PIGNON	1 2 3 4 5 6	

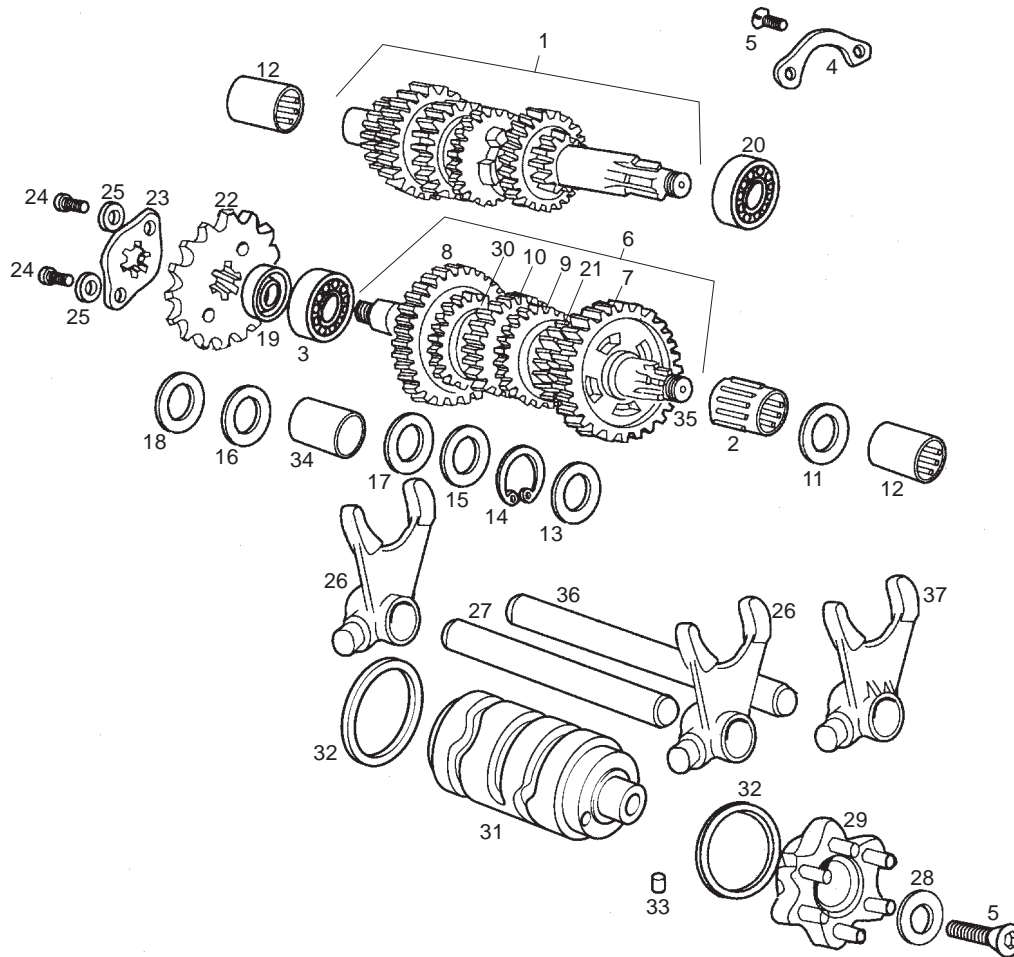


Fig.	Ver.	COD. KOD.	DESCRIPCIÓN DENOMINAZIONE NAME	BEZEICHNUNG DESIGNATION	MOD.	NOTAS NOTES NOTA MITSCHRIFT NOTES
23A		00H02800421	PRECINTO PIÑON SALIDA CAMBIO PIASTRINA PIGNONE USCITA CAMBI LOCKWASHER, COUNTERSHAFT SPROK	HALTER RONDELLE DE SECURITE SBV.	1 2 3 4 5 6	
24A		00002041050	TORNILLO C/ALLEN 4M70X10 VITE SCREW	SCHRAUBE VIS	1 2 3 4 5 6	
25A		00000033040	ARANDELA MUELLE D4 RONDELLA WASHER	SCHEIBE RONDELLE	1 2 3 4 5 6	
26A		847032	HORQUILLA SECUNDARIA FORCELLA SECONDARIA FORK OUTPUT	SHALTGABEL FOURCHETTE	1 2 3 4 5 6	
27A		847030	EJE HORQUILLA SECUNDARIA ASSE FORCELLA SECONDARIA SECONDARY FORK SHAFT	GABEL SEKUNDARACHSE AXE	1 2 3 4 5 6	
28A		847214	ARANDELA PIÑ.CONTR/MAND.TAMBOR RONDELLA WASHER	SCHEIBE RONDELLE	1 2 3 4 5 6	
29A		847038	CABEZA MANDO TAMBOR. TESTA COMANDO TAMBORO DRUM HEAD	ESTUEERKOPF TETE TAMBOUR SELECTEUR	1 2 3 4 5 6	
30A		847158	PIÑON SECUNDARIO VI Z-22 PIGNONE GEAR	RITZEL PIGNON	1 2 3 4 5 6	
31A		847081	TAMBOR DISTRIBUIDOR TAMBORO DISTRIBUTORE SHIFT DRUM	VERTEILERTROMMEL BARILLET	1 2 3 4 5 6	
32A		847036	ARANDELA TAMBOR DISTRIBUIDOR RONDELLA WASHER	SCHEIBE RONDELLE	1 2 3 4 5 6	
33A		847213	RODILLO.4X6. RULLO ROLLER	WALZE FUR SCHA LTUNG GALETS	1 2 3 4 5 6	

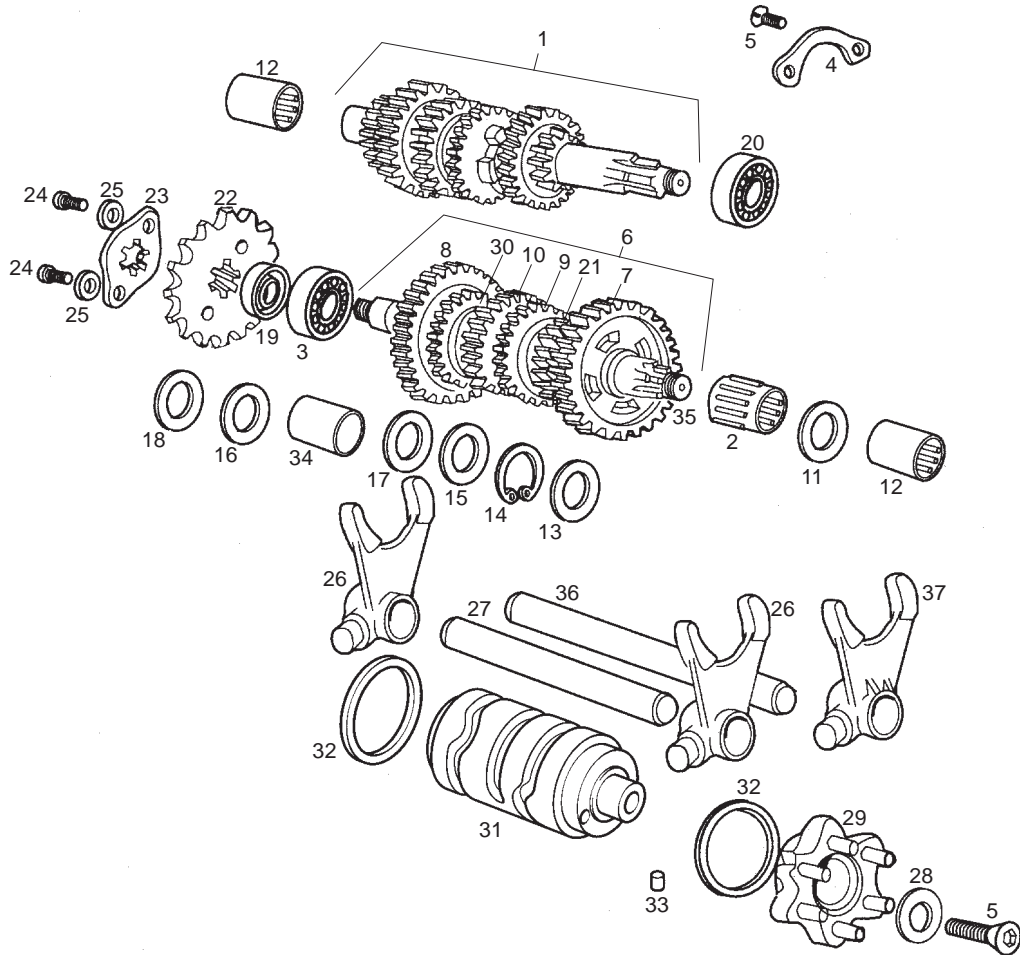


Fig.	Ver.	COD. KOD.	DESCRIPCIÓN DENOMINAZIONE NAME	BEZEICHUNG DESIGNATION	MOD.	NOTAS NOTES NOTA MITSCHRIFT NOTES
34A		847547	CASQUILLO PIÑÓN SECUND.II. GHIERA PIGNONE SECONDARIO .II. BUSHING	FUHRUNGSBUCHSE GABELSCHENK ENTRETOISE	1 2 3 4 5 6	
35A		847159	SCTO EJE SECUNDARIO 6V. ASSE SECONDARIO OUTPUT SHAFT	SEKUNDARACHSE AXE SECONDAIRE MONTE COMPLE	1 2 3 4 5 6	
36A		847029	EJE HORQUILLA PRIMARIA. ASSE FORCELLA PRIMARIA PRIMARY FORK SHAFT	GABEL PRIMARACHSE AXE	1 2 3 4 5 6	
37A		847031	HORQUILLA PRIMARIA V-VI. FORCELLA PRIMARIA FORK OUTPUT	SHALTGABEL FOURCHETTE	1 2 3 4 5 6	

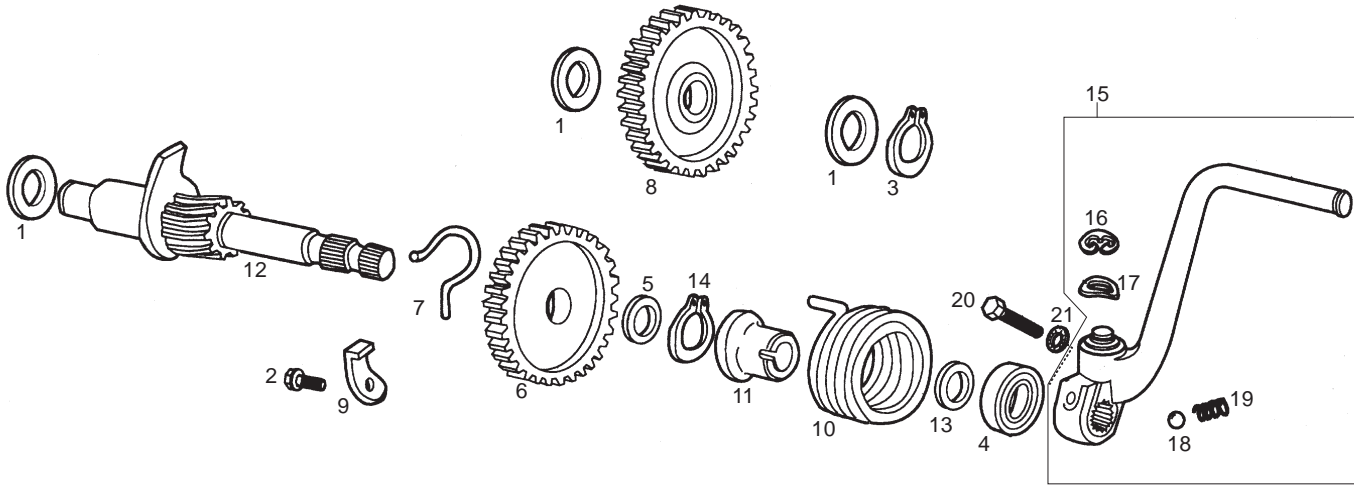


Fig.	Ver.	COD. KOD.	DESCRIPCIÓN DENOMINAZIONE NAME	BEZEICHUNG DESIGNATION	MOD.	NOTAS NOTES NOTA MITSCHRIFT NOTES
01A		847228	ARANDELA RONDELLA WASHER	SCHEIBE RONDELLE	1 2 3 4 5 6	
02A		CM149802	TORNILLO FIJ.TOPE ARRANQUE VITE SCREW	SCHRAUBE VIS	1 2 3 4 5 6	
03A		847229	ANILLO SEGURIDAD D11 ANELLO SICUREZZA CIRCLIP	SEEGERRING CIRCLIP	1 2 3 4 5 6	
04A		847074	RETEN EJE ARRANQUE GIUNTO TENUTA SEAL	DICHTRING JOINT	1 2 3 4 5 6	
05A		847232	ARANDELA TOPE PIÑON ARRANQUE RONDELLA WASHER	SCHEIBE RONDELLE	1 2 3 4 5 6	
06A		847061	PIÑON ARRANQUE Z-29 PIGNONE AVVIAMENTO KICKSTARTER GEAR	ANLAUFTRITZEL ROUE DE MISE EN MARCHÉ	1 2 3 4 5 6	
07A		847060	MUELLE PIÑON ARR. MOLLA PIGNONE AVVIAMENTO SPRING, ENGAGEMENTE REAR	RITZELFEDER RESSORT DE ROUE DE MISE EN	1 2 3 4 5 6	
08A		847056	PIÑON INTERMEDIO ARRANQUE PIGNONE INTERMEDIO AVVIAMENTO DRIVING GEAR	ANLAUF-ZWISCHENRITZEL ROUE INTERMEDIAIRE	1 2 3 4 5 6	
09A		847062	REFUERZO TOPE ARRANQUE RINFORZO FERMO AVVIAMENTO KICKSTARTER LEVER STOP	VERSTARUNG F.ANSCHULAG BUTEE PEDALE DE KICK	1 2 3 4 5 6	
10A		847057	MUELLE ARRANQUE, MOLLA AVVIAMENTO KICKSTARTER SPRING	ANLAUFFEDER RESSORT DE KICK	1 2 3 4 5 6	
11A		847058	CAZOLETA.GUIA MUELLE ARRANQUE SCODELLINO GUIDA MOLLA AVVIAME SPRING GUIDE	FUHRUNGSPFANE RAMPE DE KICK	1 2 3 4 5 6	

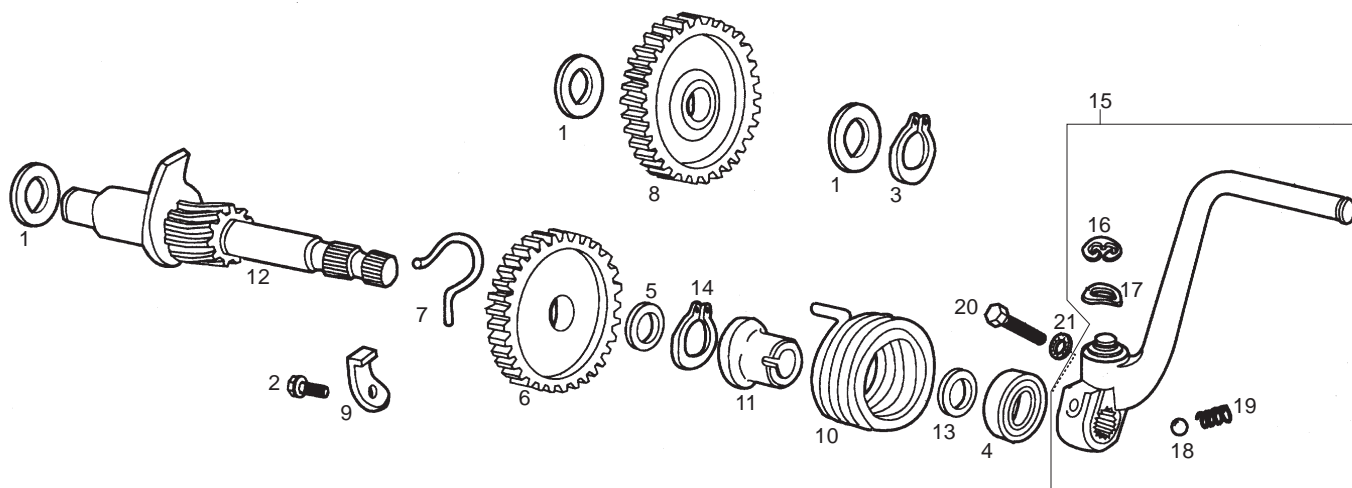


Fig.	Ver.	COD. KOD.	DESCRIPCIÓN DENOMINAZIONE NAME	BEZEICHNUNG DESIGNATION	MOD.	NOTAS NOTES NOTA MITSCHRIFT NOTES
12A		847059	SCTO.EJE ARRANQUE, SUBASSE AVVIAMENTO KICKSTARTER SHAFT	ANLAUFACHSE ARBRE DE KICK	1 2 3 4 5 6	
13A		847230	ARANDELA TOPE ARRANQUE RONDELLA WASHER	SCHEIBE RONDELLE	1 2 3 4 5 6	
14A		847231	ANILLO SEGURIDAD D22 ANELLO SICUREZZA CIRCLIP	SEEGERRING CIRCLIP	1 2 3 4 5 6	
15A		00H02902252	CTO PALANCA ARRANQUE LEVA AVVIAMENTO KICKSTARTER LEVER	KICKSTARTER LEVIER DE KICK	1 2 3 4 5 6	
16A		00047030900	ANILLO SEGURIDAD ANELLO SICUREZZA CIRCLIP	SICHERHEITSRING ANNEAU SECURITE AXE	1 2 3 4 5 6	
17A		00000036100	ARANDELA MUELLE RONDELLA WASHER	SCHEIBE RONDELLE	1 2 3 4 5 6	
18A		00000061040	BOLA.D.4,76. PALLA BALL	KUGEL BILLE DIAMETRE	1 2 3 4 5 6	
19A		00003127200	MUELLE MOLLA GRILLETTO TORCIA SPRING, DETENT	FEDER RESSORT	1 2 3 4 5 6	
20A		00004162500	TORNILLO C/ALLEN 6M100X25 VITE SCREW	SCHRAUBE VIS	1 2 3 4 5 6	
21A		00037000600	ARANDELA CONICA SEG. D6 RONDELLA WASHER	SCHEIBE RONDELLE	1 2 3 4 5 6	

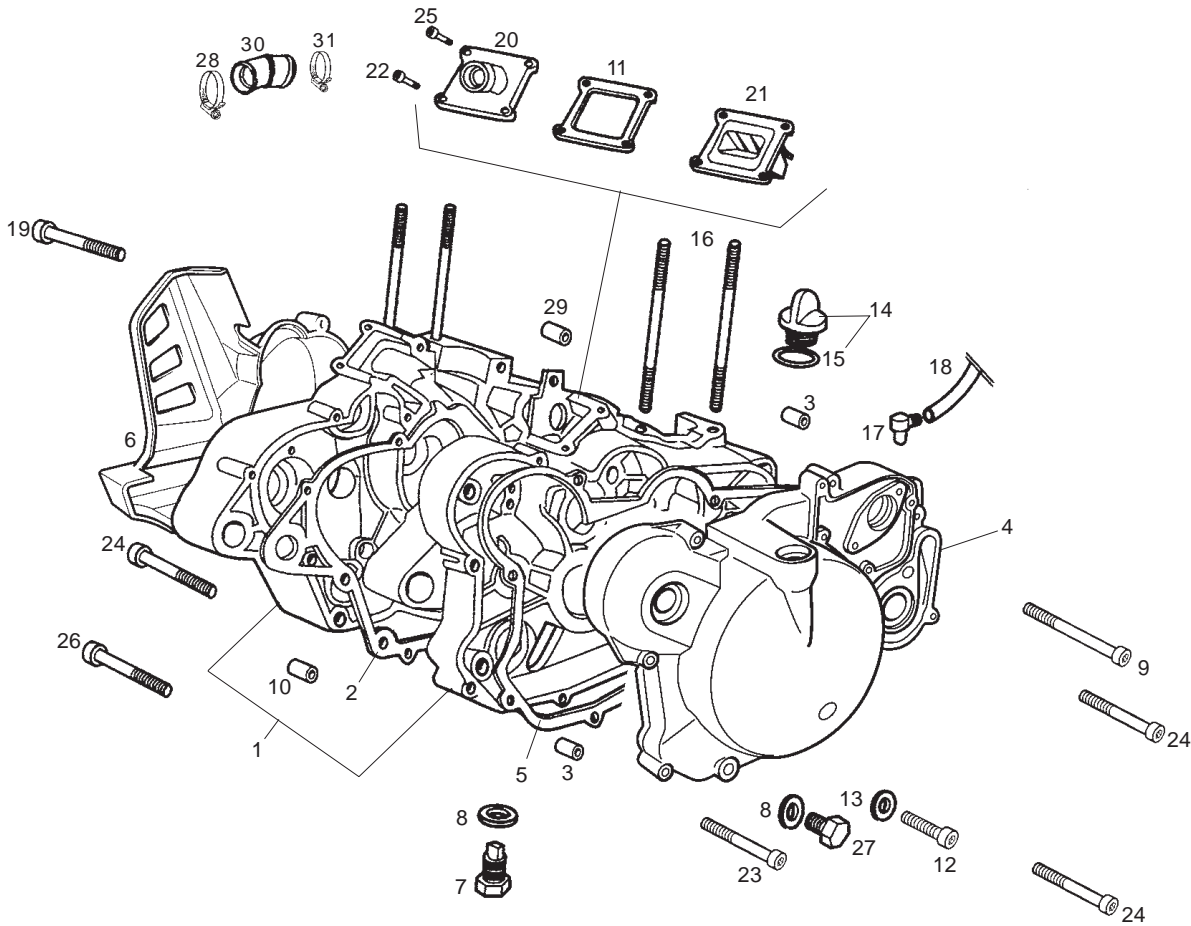


Fig.	Ver.	COD. KOD.	DESCRIPCIÓN DENOMINAZIONE NAME	BEZEICHNUNG DESIGNATION	MOD.	NOTAS NOTES NOTA MITSCHRIFT NOTES
01A		CM1503015	CTO CARTERS CARTERS CRANCKASE ASSEMBLY	MOTORGEHAUSE ENSEMBLE DES CARTERS MOTEUR	1 2 3 4 5 6	
02A		847022	JUNTA CARTERS GUARNIZIONE CARTERS GASKET, CHANCKASE	GEHAUSEDICHTUNG JOINT DE CARTERS CENTRAUX	1 2 3 4 5 6	
03A		847241	PASADOR UNION CARTER. CHIAVISTELLO SOSTEGNO SPIRALE FORK PIN	STIFT GOUDILLE	1 2 3 4 5 6	
04A		CM150703	TAPA CARTER DERECHA SUBC.COP.CARTER DES. CRANCKASE COVER	KUPLINGSDECKEL CARTER DIEMBAYAGE	1 2 3 4 5 6	
05A		847084	JUNTA TAPA CARTER DERECHA GUARNIZIONE COPERCHIO CARTER D GASKET RIGHT-HAND COVER	DICHTUNG JOINT DE CARTER EMBRAYAGE	1 2 3 4 5 6	
06A		00H03007241	TAPA CARTER IZQUIERDA COPERCHIO CARTER SINISTRO CRANCKASE COVER LEFT	GEHD US ED EDKELLINKS COUVERCLE CARTER GAUCHE	1 2 3 4 5 6	
07A		847237	CTO.TORNILLO VACIADO.ACEITE VITE SCREW	SCHRAUBE VIS	1 2 3 4 5 6	
08A		847238	ARANDELA VACIADO ACEITE RONDELLA WASHER	SCHEIBE RONDELLE	1 2 3 4 5 6	
09A		CM149801	TORNILLO C/ALLEN.6M100X55 VITE SCREW	SCHRAUBE VIS	1 2 3 4 5 6	
10A		847023	SEPARADOR CARTER GHIERA PIN	BUCHSE DOUILLE	1 2 3 4 5 6	
11A		847091	JUNTA SOPTE.VALVULA ADMISION GUARNIZIONE SOSTEGNO VALVOLA A INLET VALVE GASKET	DICHTUNG VENTILHALTER JOINT BTE.CLAPETS	1 2 3 4 5 6	

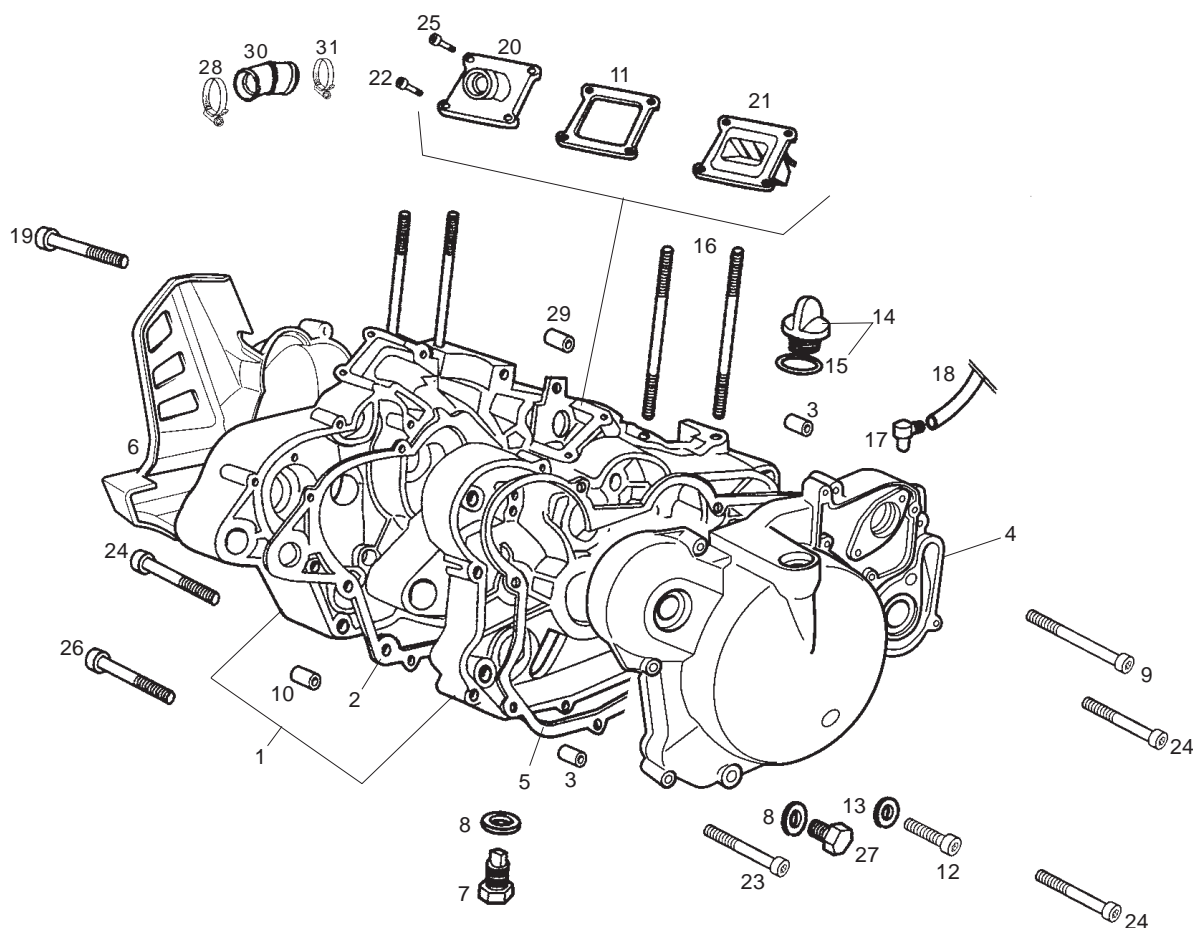


Fig.	Ver.	COD. KOD.	DESCRIPCIÓN DENOMINAZIONE NAME	BEZEICHUNG DESIGNATION	MOD.	NOTAS NOTES NOTA MITSCHRIFT NOTES
12A		847240	TORNILLO C/ALLEN.6M100X10 VITE SCREW	SCHRAUBE VIS	1 2 3 4 5 6	
13A		847239	ARANDELA NIVEL ACEITE.D6 RONDELLA WASHER	SCHIEBE RONDELLE	1 2 3 4 5 6	
14A		847087	TORNILLO LLENADO ACEITE VITE SCREW	SCHRAUBE VIS	1 2 3 4 5 6	
15A		847180	ANILLO TORICO TAPON NIV.ACTE. ANELLO TORICO SEAL	O-RING JOINT DE JAUGE D,HUILE	1 2 3 4 5 6	
16A		847015	ESPARRAGO CILINDRO MOTOR BULLONE FISSAGGIO CILINDRO STUD CYLINDER	STEBBOLZEN GOUJON DE FIXE CYLINDRE	1 2 3 4 5 6	
17A		847024	RACORD SALIDA GASES RACCORDI USCITA GAS CARTER . CRANKCASE VENT RACCORD	AUSGANGSSTUTZEN RACCORD DE SORTIE GAZ CARTE	1 2 3 4 5 6	
18A		00H03700461	TUBO RESPIRACION TUBO RESPIRAZIONE SERBATOIO VENT PIPE OIL TANK	ENTLUEFTUNGSSCHLAUCH TUYAU RESPIRATION RESERVOIR	1 2 3 4 5 6	
19A		00G03900821	TORNILLO FIJACION 6X30 VITE SCREW	SCHRAUBE VIS	1 2 3 4 5 6	
20A		847093	BOQUILLA CARBURANTE ATTACCO CARBURATORE INTAKE MANIFOLD,	ANSAUGSTUTZEN ENSEMB.PIPE DIADMISSION	1 2 3 4 5 6	
21A		847092	CTO.CAJA LAMINAS ADMISION CASSA LAMINA AMMISSI INLET BOX	MEMBRANE BOITE A CLAPETS	1 2 3 4 5 6	
22A		CM149804	TORNILLO C/ALLEN.6M100X25 VITE SCREW	SCHRAUBE VIS	1 2 3 4 5 6	

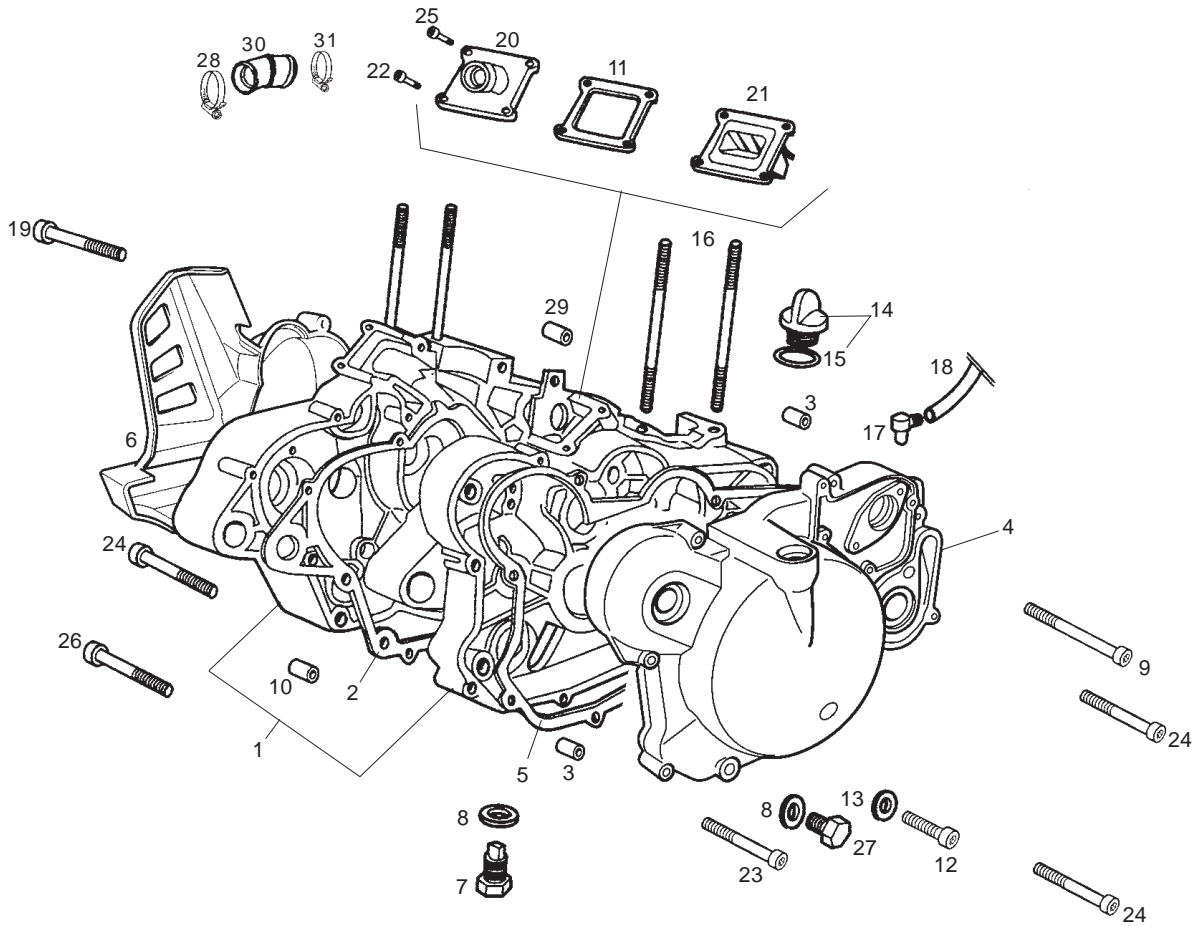


Fig.	Ver.	COD. KOD.	DESCRIPCIÓN DENOMINAZIONE NAME	BEZEICHUNG DESIGNATION	MOD.	NOTAS NOTES NOTA MITSCHRIFT NOTES
23A		CM149806	TORNILLO C/ALLEN.6M100X35 VITE SCREW	SCHRAUBE VIS	1 2 3 4 5 6	
24A		CM149808	TORNILLO C/ALLEN.6M100X40 VITE SCREW	SCHRAUBE VIS	1 2 3 4 5 6	
25A		828152	TORNILLO VITE SCREW	SCHRAUBE VIS	1 2 3 4 5 6	
26A		CM149809	TORNILLO FIJACION 6X50 VITE SCREW	SCHRAUBE VIS	1 2 3 4 5 6	
27A		847174	TORNILLO VACIADO ACEITE VITE SCREW	SCHRAUBE VIS	1 2 3 4 5 6	
28A		00H02501491	ABRAZADERA FASCETTA CLAMP	ZÜGEL BRIDE	1 2 3 4 5 6	
29A		847023	SEPARADOR CARTER GHIERA PIN	BUCHSE DOUILLE	1 2 3 4 5 6	
30A		871319	CASQUILLO UNION MANGUITO CARB. BRONZINA BUSHING	BUCHSE ENTRETOISE	1 2 3 4 5 6	
31A		847096	ABRAZADERA FASCETTA CLAMP	ZÜGEL BRIDE	1 2 3 4 5 6	

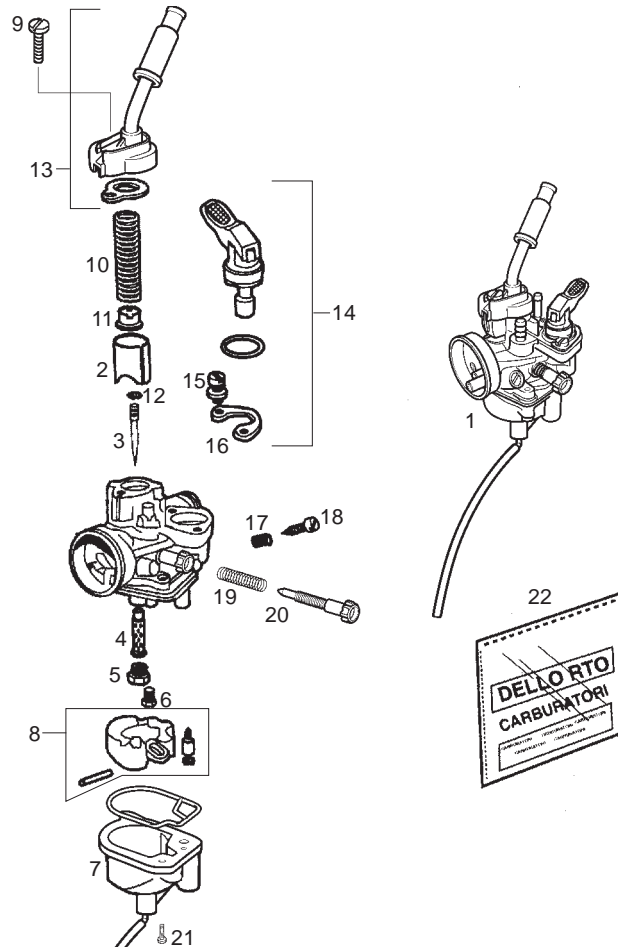


Fig.	Ver.	COD. KOD.	DESCRIPCIÓN DENOMINAZIONE NAME	BEZEICHUNG DESIGNATION	MOD.	NOTAS NOTES NOTA MITSCHRIFT NOTES
01A		CM152702	CARBURADOR SENDA CARBURATORE CARBURETOR	VERGASER KOMPL ENSEMBLE CARBURATEUR	1 2 3 4 5 6	
02A		00H03207211	R-COMPUERTA GAS R-VALVOLA GAS SLIDE	GASSCHIEBER BOISSEAU	1 2 3 4 5 6	
03A		00H03214431	R-AGUJA PULVERIZADORA SPILLO CONICO NEEDLE	DUESENNADELUSE AIGUILLE PULVERIZ.	1 2 3 4 5 6	
04A		00H03206421	R-PULVERIZADOR POLVERIZZATORE NEEDLE JET	ZERSTAUBERDUSE PULVERISATEUR	1 2 3 4 5 6	
05A		00H03208031	R-SURTIDOR MAXIMO 70 R-GETTO MASSIMO MAIN JET	HAUPT DUSE GICLEUR PRINCIPAL	1 2 3 4 5 6	
06A		00H04101181	R-SURTIDOR MINIMO 32 R-GETTO MINIMO JET MIN	DUESE MIN. R-GICLEUR MINIMUM.	1 2 3 4 5 6	
07A		484704	VASO GASOLINA VASCHETTA BENZINA FLOAT BOWL SEET	SCHWIMMERKAMMER CUVE INFERIEURE CARBUR.	1 2 3 4 5 6	
08A		00H03204281	R-KIT FLOTADOR R-GALLEGGIANTE FLOAT	SCHWIMMER R-FLOTTEUR.	1 2 3 4 5 6	
09A		00G03200061	R-TORNILLO FIJ.TAPA CAM. MEZCLA R-VITE FISSAGIO COPERCHIO CAM. MIXING XAMBER COVER SECURING	BEF.-SCHRAUBE DECKEL MISCH R-BOUL.SER.COUV.CHAMBRE MEL	1 2 3 4 5 6	
10A		00G03201071	R-MUELLE VALVULA GAS R-MOLLA VALVOLA GAS THROOTLE VALVE RETURN	FEDER FUR GASVENTIL R-RESSORT VALVE ESS.	1 2 3 4 5 6	
11A		00G03200511	R-CASQUILLO AGUJA PULVERIZADOR GHIERA SPILLO CONICO NEEDLE BUSHING	BUCHSE DUESENNADEL R-DOUILLE AIGUI.PULVERZ.	1 2 3 4 5 6	

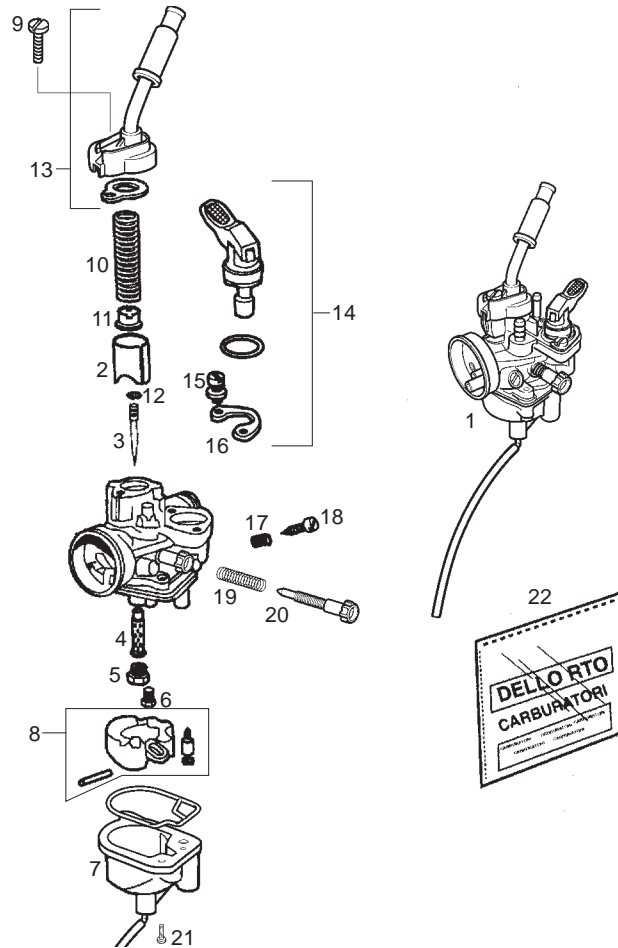


Fig.	Ver.	COD. KOD.	DESCRIPCIÓN DENOMINAZIONE NAME	BEZEICHNUNG DESIGNATION	MOD.	NOTAS NOTES NOTA MITSCHRIFT NOTES
12A		00G03201371	R-PINZA AGUJA PULVERIZADOR MORSA SPILLO CONICO NEEDLE CIRCLIP	KLAMMER DUESENNADEL R-PINCE AIGUI.PULVERZ.	1 2 3 4 5 6	
13A		00H03204231	R-TAPA CAMARA MEZCLA R-COPERCHIO CAMARA MISCELA SE COVER CARBURETOR TOP	MISCHRAUMDECKEL COUVERCLE CARBURATEUR	1 2 3 4 5 6	
14A		00H03203711	R-CTO STARTER R-STARTER CHOCKE LOCK	STARTERVENTIL VANNE DU STARTER MANUEL	1 2 3 4 5 6	
15A		00G03200541	R-TORNILLO FIJACION STARTER R-VITE FISSAGIO STARTER AV. AUTOMA.CHOCKE SEGURING SCREE	BEF.-SCHRAUBEAUTOM STARTER R-BOULON SER.START	1 2 3 4 5 6	
16A		00G03200551	R-PRECINTO FIJACION STARTER PIASTRINA FIS. STARTER AUTOMA.CHOCKE SEGURING SCREE	HALTERUNG AUTOM. STARTER R-PLOMBAGE FIX.START	1 2 3 4 5 6	
17A		00G03200721	R-MUELLE REGULACION AIRE MIN. MOLLA REG. ARIA IDLE ADJUSTER	FEDER LUFTREGLER MIN. R-RESSORT REG.AIR MIN.	1 2 3 4 5 6	
18A		00G03200731	R-TORNILLO REGULACION AIRE MIN. R-VIS REG.AIR.MIN. IDLE ADJUSTER SCREW	LUFT-REGULIERSCHRAUBE MIN. R-VIS REG.AIR MIN.	1 2 3 4 5 6	
19A		00G03200101	R-MUELLE REGULACION VALVULA GAS MOLLA REG. VALVOLA GAS THROOTLE VALVE ADJUSTE SPRING	FEDER GAS-VENTIL-REGELUNG R-RES.REG.VALVE ESS.	1 2 3 4 5 6	
20A		00G04102131	R-TORNILLO REGULACION VALVULA GAS R-BOUTON VITE REGOLAZIONE VALVOLAR-VIS REG.VALV.ESS. THROOTLE VALVE ADJUSTER SCREW	SCHRAUBE GAS-VENTIL-REGELU R-BOUTON VITE REGOLAZIONE VALVOLAR-VIS REG.VALV.ESS.	1 2 3 4 5 6	
21A		00G03201091	R-TORNILLO FIJACION VASO GASOLINA R-VITE FISSAGIO VASCHETTA FLOAT CHAMBER SEGURING SCREW	BEF.-SCHRAUBE R-BOUL.SERG.VASE ESSENC.	1 2 3 4 5 6	
22A		00H04103771	R-JUEGO JUNTAS CARBURADOR R-GUARNIZIONE CARBU. CARBURETOR GASKET	DICHTUNGSATZ KOMPL. VERGAS R-ENS. JOINTS CARBUR.	1 2 3 4 5 6	

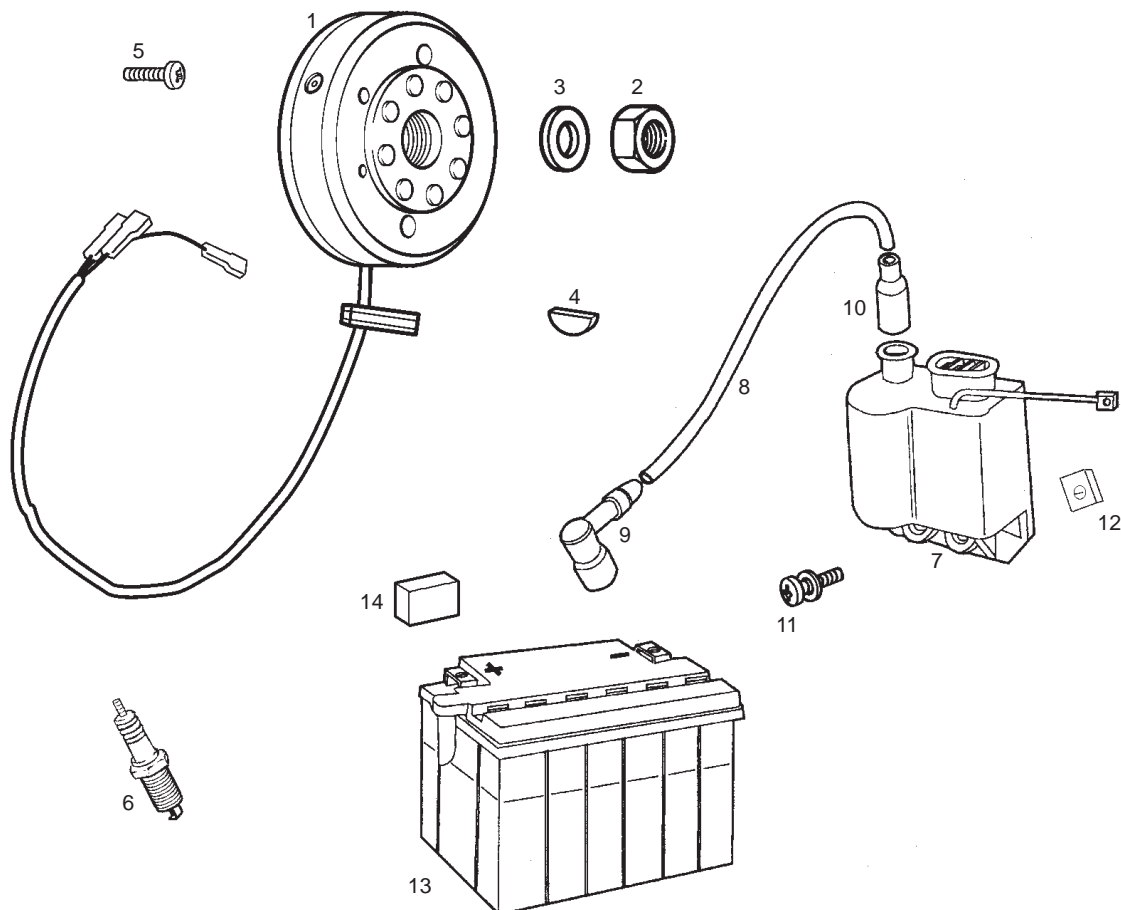


Fig.	Ver.	COD. KOD.	DESCRIPCIÓN DENOMINAZIONE NAME	BEZEICHNUNG DESIGNATION	MOD.	NOTAS NOTES NOTA MITSCHRIFT NOTES
01A		82829R	CTO VOLANTE MAGNETICO VOLANO ELETTRONICO MAGNETO ASSEMBLY	LICHTMASCHINE KOMPL. VOLANT MAGNETIQUE	1 2 3 4 5 6	
02A		847235	TUERCA FIJACION VOLANTE.MAGN. DADO NUT	MUTTER ECROU	1 2 3 4 5 6	
03A		847234	ARANDELA FIJ. VOLANTE.MAGN RONDELLA WASHER	SCHEIBE RONDELLE	1 2 3 4 5 6	
04A		847215	CHAVETA VOLANTE MAGNETICO SPINA VOLANO MAGNETICO .P.REC. KEY, FLYWHEEL	KEIL CLAVETTE VOLANT MAGNETIQUE	1 2 3 4 5 6	
05A		847233	TORNILLO FIJ.VOLTE.MAGN.5M80X10 VITE SCREW	SCHRAUBE VIS	1 2 3 4 5 6	
06A		847085	BUJIA CANDELA SPARK PLUG	KERZE BOUGIE	1 2 3 4 5 6	
07A		00H03330171	CTO CONVERSOR ELECTRONICO COVERTITORE ELETTRON COIL, PRIMARY IGNITION	ZUNDSPULE BOBINE AUTE TENSION	1 2 3 4 5 6	
08A		00F03310741	CABLE BOBINA CAVO BOBINA CABLE COIL PRIMARY IGNITION	ZUNDSPULENKABEL CABLE	1 2 3 4 5 6	
09A		00G03301271	CTO. PIPA BUJIA PIPETA CANDELA COVER, SPARK PLUG	ZUNDKERZENSTECRER PIPE DE BOUGIE	1 2 3 4 5 6	
10A	01	00F03300731	CAPUCHON CABLE BOBINA CAPPuccio CAVO BOBINA COIL CABLE RUBBER PROTECTOR	KAPPE CAPUCHON	1 2 3 4 5 6	
10A		00G03301731	CAPUCHON CABLE BOBINA CAPPuccio CAVO BOBINA COIL CABLE RUBBER PROTECTOR	KAPPE CAPUCHON	1 2 3 4 5 6	

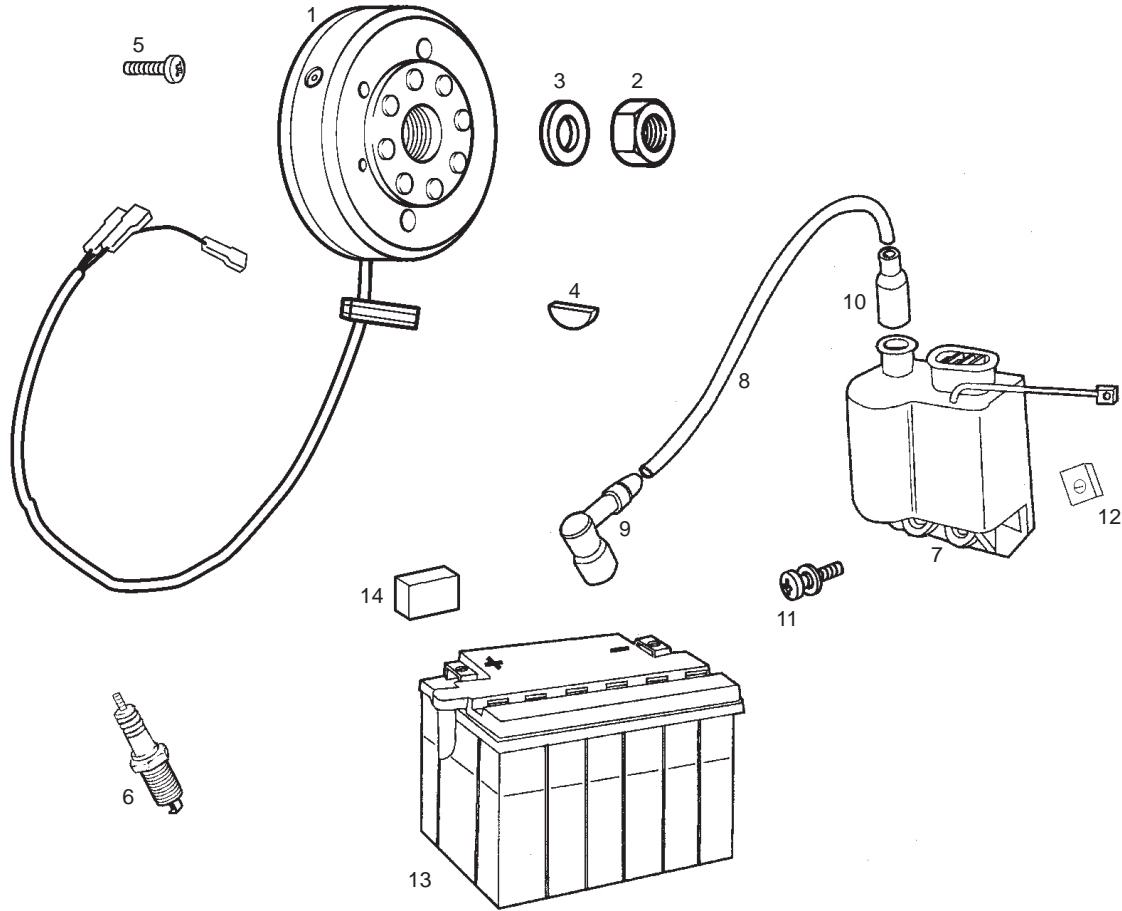


Fig.	Ver.	COD. KOD.	DESCRIPCIÓN DENOMINAZIONE NAME	BEZEICHNUNG DESIGNATION	MOD.	NOTAS NOTES NOTA MITSCHRIFT NOTES
11A		00G06800021	SCTO. TORNILLO 6M100X20 VITE SCREW	SCHRAUBE VIS	1 2 3 4 5 6	
12A		00D01501371	TUERCA FIJACION D6 DADO NUT	MUTTER ECROU	1 2 3 4 5 6	
13A		00G03301401	BATERIA 12V 4AH. BATTERIA BATTERY	BATTERIE BATTERIE	1 2 3 4 5 6	
14A		00H06300771	TOPE BATERIA FERMO STOPPER	ANSCHLAG BUTEE	1 2 3 4 5 6	

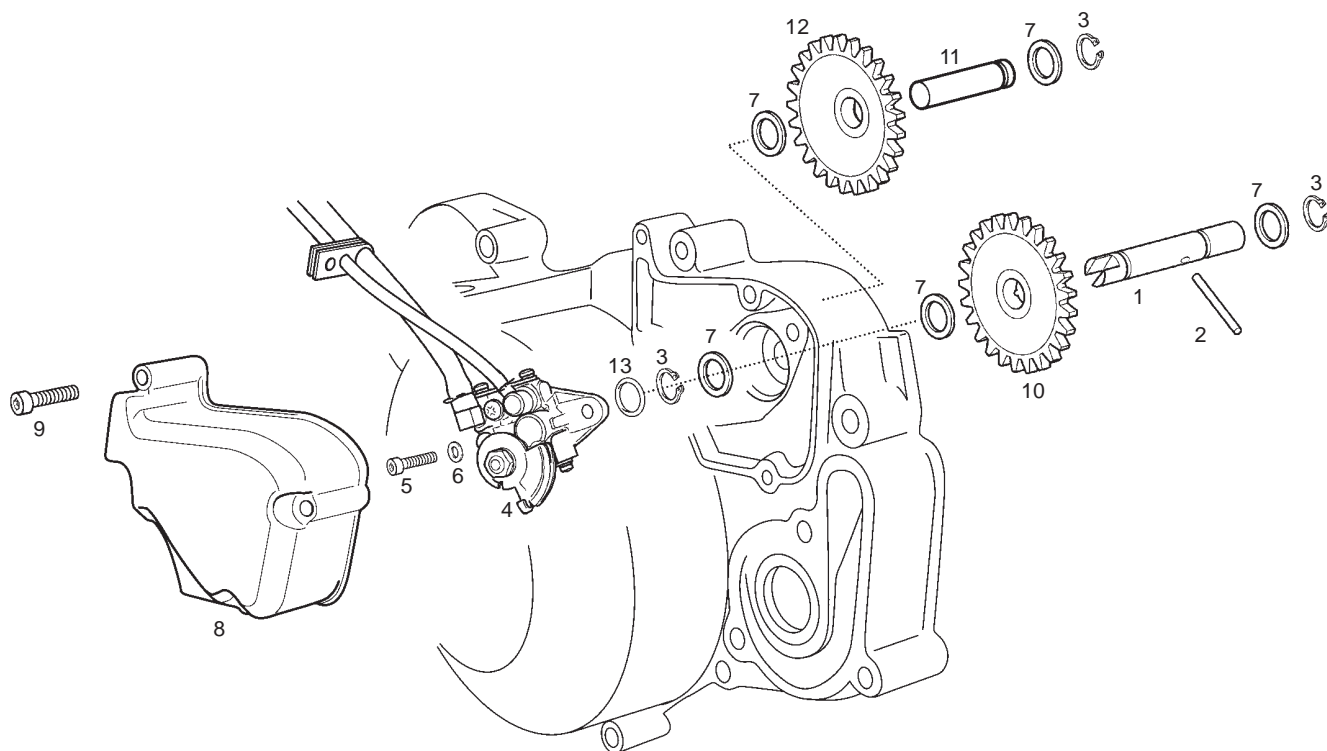


Fig.	Ver.	COD. KOD.	DESCRIPCIÓN DENOMINAZIONE NAME	BEZEICHNUNG DESIGNATION	MOD.	NOTAS NOTES NOTA MITSCHRIFT NOTES
01A		847052	EJE BOMBA ACEITE ASSE POMPA OLIO PUMPOIL AXLE	OLPUMPUNACHSE AXE DE POMPE D,HUILLE	123456	
02A		847184	PASADOR EJE BOMBA CHIAVISTELLO SOSTEGNO SPIRALE FORK PIN	STIFT GOUDILLE	123456	
03A		847182	ANILLO SEGURIDAD EJES D8 ANELLO SICUREZZA CIRCLIP	SEEGERRING CIRCLIP	123456	
04A		847055	CTO. BOMBA ACEITE POMPA OLIO OIL PUMP	OLPUMPE POMPE A HUILLE	123456	
05A		847227	TORNILLO C/ALLEN 5M80X15 VITE SCREW	SCHRAUBE VIS	123456	
06A		847226	ARANDELA D5 RONDELLA WASHER	SCHEIBE RONDELLE	123456	
07A		847183	ARANDELA TOPE PIÑON INTERMEDIO RONDELLA WASHER	SCHEIBE RONDELLE	123456	
08A		00H03706011	TAPA BOMBA ACEITE COPERCHIO COVER	DECKEL COUVERCLE	123456	
09A		00004154000	TORNILLO C/ALLEN 5M80X40 VITE SCREW	SCHRAUBE VIS	123456	
10A		847051	PIÑON BOMBA ACEITE Z25 PIGNONE GEAR	ZAHNRAD PIGNON	123456	
11A		847076	EJE PIÑONES INTERMEDIOS ASSE AXLE	ACHSE AXE	123456	

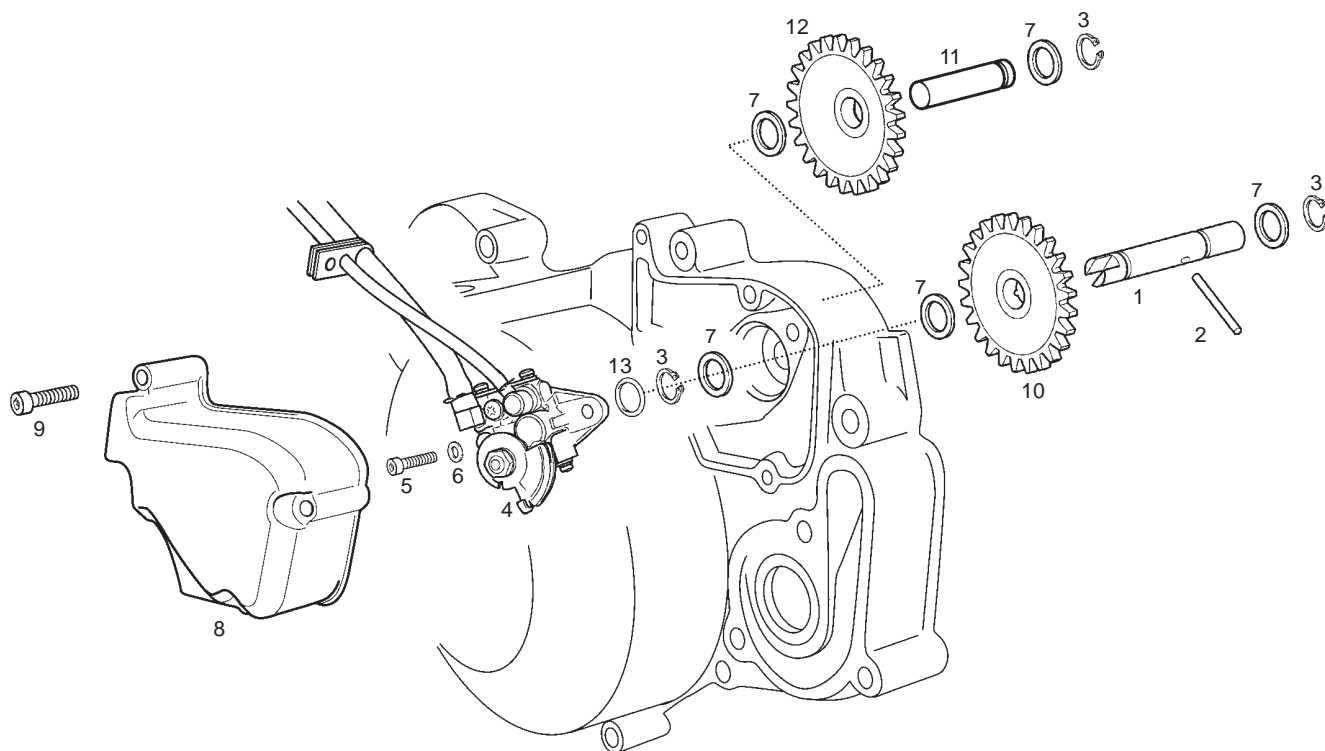


Fig.	Ver.	COD. KOD.	DESCRIPCIÓN DENOMINAZIONE NAME	BEZEICHNUNG DESIGNATION	MOD.	NOTAS NOTES NOTA MITSCHRIFT NOTES
12A		847053	PIÑÓN INTERMEDIO BOMBA Z13/24 PIGNONE GEAR	ZAHNRAD PIGNON	1 2 3 4 5 6	
13A		311163	JUNTA BOMBA ACEITE GUARNIZIONE GASKET	DICHTUNG JOINT	1 2 3 4 5 6	

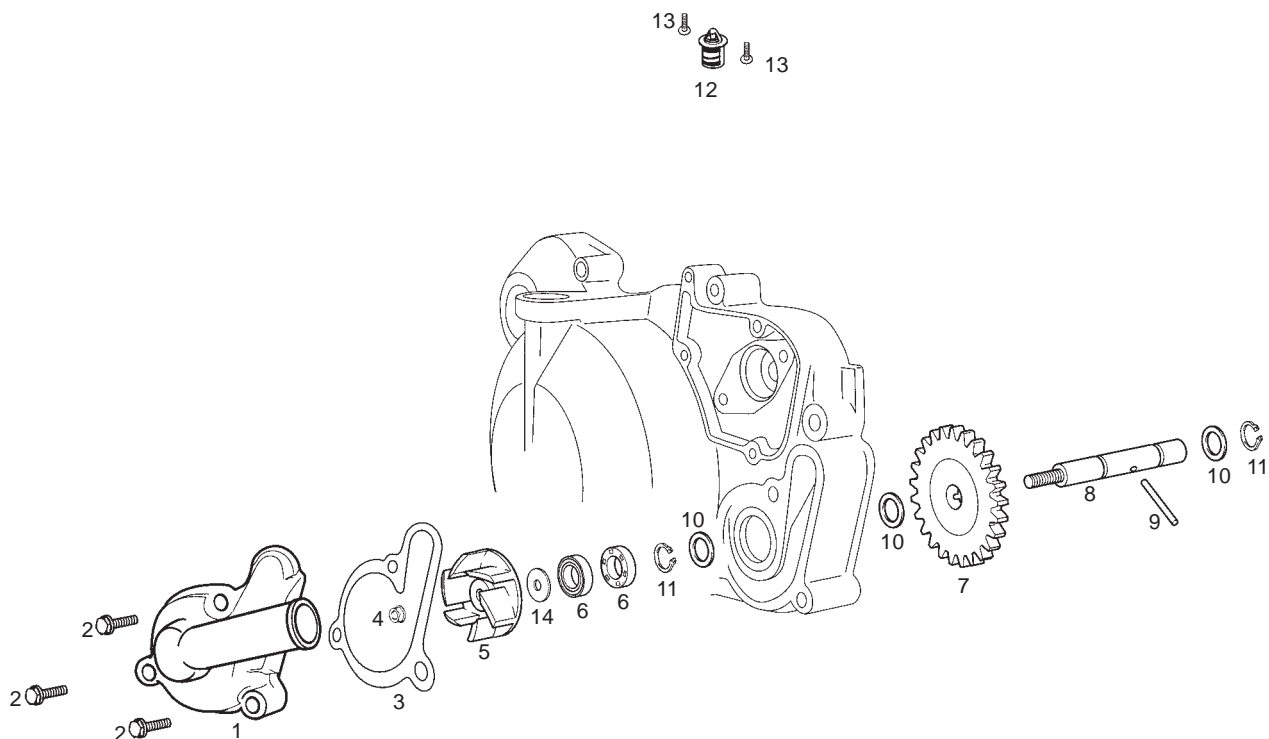


Fig.	Ver.	COD. KOD.	DESCRIPCIÓN DENOMINAZIONE NAME	BEZEICHUNG DESIGNATION	MOD.	NOTAS NOTES NOTA MITSCHRIFT NOTES
01A		CM150802	TAPA BOMBA AGUA COPERCHIO POMPA ACQUA WATER PUMP COVER	DECKEL F. WASSERPUMPE COUVERCLE DE POMPE D,EAU	1 2 3 4 5 6	
02A		CM149805	TORNILLO FIJACION 6X30 VITE SCREW	SCHRAUBE VIS	1 2 3 4 5 6	
03A		871688	JUNTA TAPA BOMBA AGUA GUARNIZIONE COPERCHIO GASKET	DICHTUNG F. WASSERPUMPENDE JOINT	1 2 3 4 5 6	
04A		847067	TUERCA 5M80 LATON DADO NUT	MUTTER ECROU	1 2 3 4 5 6	
05A		847079	RODETE BOMBA AGUA ROCCHETTO POMPA ACQUA WATER PUMP ROLLER	LAUFER F. WASSERPUMP CHIGNON POMPE D,EAU	1 2 3 4 5 6	
06A		847077	RETEN EJE BOMBA GIUNTO TENUTA SEAL	DICHTRING JOINT	1 2 3 4 5 6	
07A		847080	PIÑÓN BOMBA AGUA Z-32 PIGNONE GEAR	ZAHNRAD PIGNON	1 2 3 4 5 6	
08A		847078	EJE BOMBA AGUA ASSE POMPA ACQUA WATER-PUMP SHAFT	WASSERPUMPENACHSE AXE POMPE D,AEU	1 2 3 4 5 6	
09A		847184	PASADOR EJE BOMBA CHIAVISTELLO SOSTEGNO SPIRALE FORK PIN	STIFT GOUDILLE	1 2 3 4 5 6	
10A		847183	ARANDELA TOPE PIÑÓN INTERMEDIO RONDELLA WASHER	SCHEIBE RONDELLE	1 2 3 4 5 6	
11A		847182	ANILLO SEGURIDAD D8 ANELLO SICUREZZA CIRCLIP	SEEGERRING CIRCLIP	1 2 3 4 5 6	

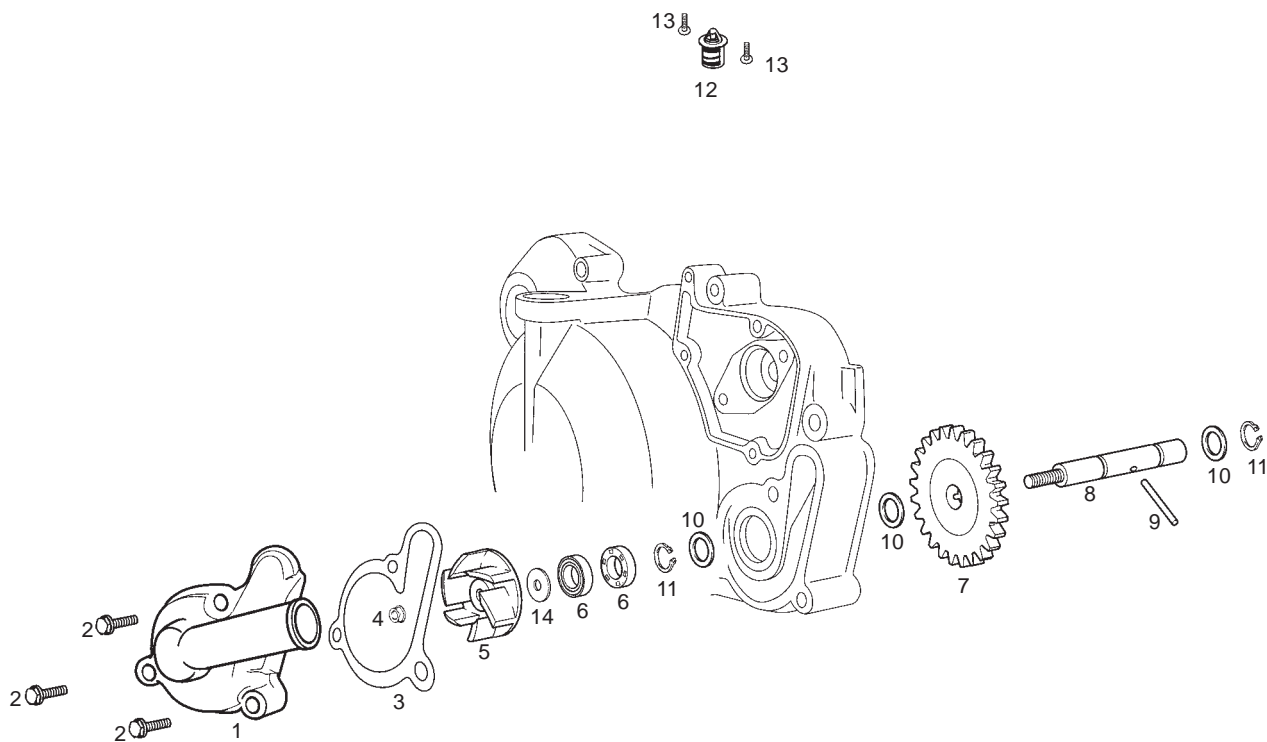


Fig.	Ver.	COD. KOD.	DESCRIPCIÓN DENOMINAZIONE NAME	BEZEICHNUNG DESIGNATION	MOD.	NOTAS NOTES NOTA MITSCHRIFT NOTES
12A		483395	INTERRUPTOR TERMICO INTERRUPTORE TERMICO THERMIC SWITCH	SCHALTER INTERRUPTEUR	1 2 3 4 5 6	
13A		847176	TORNILLO C/RED CRUZ VITE SCREW	SCHRAUBE VIS	1 2 3 4 5 6	
14A		847181	ARANDELA RONDELLA WASHER	SCHEIBE RONDELLE	1 2 3 4 5 6	

Fig.	Ver.	COD. KOD.	DESCRIPCIÓN DENOMINAZIONE NAME	BEZEICHUNG DESIGNATION	MOD.	NOTAS NOTES NOTA MITSCHRIFT NOTES
01A		00H05400451	ÚTIL MONTAJE RETENES CIGÜEÑAL CRANKSHAFT OIL SEAL FITTIN TOOL UTENSILE MONTAGGIO FERMI ALBERO A GOMITE		1 2 3 4 5 6	
02A		00H05400581	ÚTIL MONTAJE RETÉN EJE ARRANQUE STARTER SHAFT OIL SEAL FITTIN TOOL UTENSILE MONTAGGIO FERMO ASSE AVVIAMENTO		1 2 3 4 5 6	
03A		00H05401561	ÚTIL MONTAJE RETÉN EJE SELECTOR SELECTOR SHAFT OIL SEAL FITTIN TOOL UTENSILE MONTAGGIO FERMO ASSE SELETTORE		1 2 3 4 5 6	
04A		00H05300041	ÚTIL FIJACIÓN CAMPANA DE EMBRAGUE CLUTHC BELL HOUSING SECURING TOOL UTENSILE FISSAGGIO CAMPANA FRIZIONE		1 2 3 4 5 6	
05A		00H05600241	ÚTIL MONTAJE CASQUILLO DE AGUJAS EJE PRIMARIO PRIMARY SHAFT NEEDLE BUSH FITTING TOOL UTENSILE MONTAGGIO CAPUCCHIO AGHI ASSE PRIMARIO		1 2 3 4 5 6	
06A		00H05300151	EMPUJADOR ABRIR MOTOR ENGINE OPENING PUSHER ELEMENTO DI SPINTA PER APRIRE IL MOTORE		1 2 3 4 5 6	
07A		00H05600351	PIVOTE GUÍA RETÉN EJE SECUNDARIO GPR GPR SECONDARY SHAFT OIL SEAL GUIDE PIVOT PERNO GUIDA FERMO ASSE SECONDARIO GPR		1 2 3 4 5 6	
08A		00F05300021	EXTRACTOR VOLANTE MAGNÉTICO ALTERNADOR ALTERNATOR MAGNETO EXTRACOR ESTRATTORE VOLANTE MAGNETICO ALTERNATORE		1 2 3 4 5 6	
09A		00G05300011	BLOQUEADOR GIRO VOLANTE MAGNÉTICO ALTERNADOR ALTERNATOR MAGNETO TURN LOCKER BLOCANTE GIRO VOLANTE MAGNETICO ALTERNATORE		1 2 3 4 5 6	
10A		00D05310091	PIÑÓN MOTOR SENDA SEND A ENGINE PINION PIGNONE MOTORE SENDA		1 2 3 4 5 6	
11A		00H05600421	RETÉN EXTERIOR BOMBA DE AGUA WATER PUMP EXTERIOR OIL SEAL FERMO ESTERNO POMPA ACQUA		1 2 3 4 5 6	
12A		00H05600431	RETÉN INTERIOR BOMBA DE AGUA WATER PUMP INTERIOR OIL SEAL FERMO INTERIOR POMPA ACQUA		1 2 3 4 5 6	
13A		00H05100101	ÚTIL TRABAR PIÑÓN MOTOR ENGINE PINION FASTENING TOOL UTENSILE PER UNIRE IL PIGNONE MOTORE		1 2 3 4 5 6	
14A		00H05401451	JAULA EJE CONTRAPESO COUNTERWEIGHT SHAFT CAGE GABBIA ASSE CONTRAPPESO		1 2 3 4 5 6	
15A		00H05400461	RETÉN EJE CONTRAPESO COUNTERWEIGHT SHAFT OIL SEAL FERMO ASSE CONTRAPPESO		1 2 3 4 5 6	
16A		00H05601261	PIVOTE GUÍA EJE BOMBA AGUA WATER PUMP SHAFT WATER GUIDE PIVOT PERNO GUIDA ASSE POMPA ACQUA		1 2 3 4 5 6	
17A		00H05301841	PIVOTE GUÍA RETÉN EJE CIGÜEÑAL CRANKSHAFT JOURNAL OIL SEAL GUIDE PIVOT PERNO GUIDA FERMO ASSE ALBERO A GOMITO		1 2 3 4 5 6	

CODIGO CODE	Lám. Diagr.	Figr.	Vers.	CODIGO CODE	Lám. Diagr.	Figr.	Vers.	CODIGO CODE	Lám. Diagr.	Figr.	Vers.	CODIGO CODE	Lám. Diagr.	Figr.	Vers.
0000002825	12	04A		00008915020	04	21A		00402080001	12	15A		00F03710131	04	16A	
0000004612	13B	15A		00008915020	07	21A		00402080001	12	05A		00F03710131	13A	07A	
0000004625	02A	22A		00008915020	13A	09A		00402100001	01	23A		00F03710131	13B	07A	
0000004630	03	20A		00008915020	13B	09A		00442060002	17	10A		00F03710241	13A	27A	
0000004835	02A	02A		00011041300	10	11A		00D00200761	02A	05A		00F03710241	13B	27A	
00000012415	12	10A		00011051401	04	19A		00D00900531	06	21A		00F04201361	12	11A	
00000021060	03	21A		00011051401	05A	22A		00D00900531	07	03A		00F04700121	08	20A	
00000023040	05A	18A		00011051401	05B	22A		00D00900531	07	35A		00F05300021	25	08A	
00000023040	05B	18A		00011051401	05C	22A		00D00900531	13A	05A		00F05900041	05A	10A	
00000023040	05C	18A		00011061300	07	37A		00D00900531	13B	05A		00F05900041	05B	10A	
00000023051	05A	26A		00011141300	03	09A		00D01000701	06	24A		00F05900041	05C	10A	
00000023051	05B	26A		00011141300	13A	22A		00D01100201	10	04A		00G00200112	02A	06A	
00000023051	05C	26A		00011141300	13B	22A		00D01200171	03	14A		00G00400181	04	11A	
00000023060	05A	29A		00012045000	07	07A		00D01200171	04	29A		00G00400501	04	10A	
00000023060	05B	29A		00012051200	07	16A		00D01200171	04	34A		00G00400501	13A	30A	
00000023060	05C	29A		00012061000	03	17A		00D01200171	07	23A		00G00400501	13B	30A	
00000023060	07	24A		00012061200	03	13A		00D01201091	08	07A		00G01401321	04	03A	
00000031040	05A	17A		00012061200	04	20A		00D01300192	03	06A		00G01500951	12	13A	
00000031040	05B	17A		00012061200	05A	03A		00D01301401	09	14A		00G01503701	10	06A	
00000031040	05C	17A		00012061200	05B	03A		00D01500021	05A	20A		00G02200692	13A	17A	
00000031050	03	10A		00012061200	05C	03A		00D01500021	05B	20A		00G02200692	13B	17A	
00000031050	05A	21A		00012061200	07	30A		00D01500021	05C	20A		00G03200061	21	09A	
00000031050	05B	21A		00012082001	12	14A		00D01500021	11	05A		00G03200101	21	19A	
00000031050	05C	21A		00012151500	10	22A		00D01500471	04	36A		00G03200511	21	11A	
00000031060	02A	23A		00012152000	05A	23A		00D01500471	07	22A		00G03200541	21	15A	
00000031070	03	22A		00012152000	05B	23A		00D01500552	04	22A		00G03200551	21	16A	
00000033040	18	25A		00012152000	05C	23A		00D01500552	13A	11A		00G03200721	21	17A	
00000036100	19	17A		00012152000	11	02A		00D01500552	13B	11A		00G03200731	21	18A	
00000056205	01	14A		00012161600	04	30A		00D01501371	03	12A		00G03201071	21	10A	
00000061040	19	18A		00014041200	06	09A		00D01501371	04	28A		00G03201091	21	21A	
00001213190	03	18A		00022084021	01	04A		00D01501371	04	32A		00G03201371	21	12A	
00002041050	18	24A		00022084521	01	07A		00D01501371	05A	08A		00G03204272	04	13A	
00002051251	06	23A		00023108000	01	05A		00D01501371	05B	08A		00G03301271	22	09A	
00002061011	13B	24A		00023108000	01	13A		00D01501371	05C	08A		00G03301401	22	13A	
00002062011	12	03A		00023108000	10	20A		00D01501371	07	28A		00G03301731	22	10A	
00002062511	05A	28A		00023108000	12	16A		00D01501371	13A	06A		00G03800601	13A	04A	
00002062511	05B	28A		00023108000	12	06A		00D01501371	13B	06A		00G03801701	13A	12A	
00002062511	05C	28A		00023112000	03	32A		00D01501371	22	12A		00G03801701	13B	04A	
00002062511	17	09A		00026005000	07	18A		00D01520096	01	20A		00G03900821	20	19A	
00002082021	11	07A		00031105000	05A	32A		00D01540456	01	21A		00G04102131	21	20A	
00002083001	08	15A		00031105000	05B	32A		00D02600631	07	17A		00G04401462	05A	24A	
00002083001	10	28A		00031105000	05C	32A		00D02600631	10	21A		00G04401462	05B	24A	
00002182000	09	07A		00031106000	07	09A		00D02600631	11	03A		00G04401462	05C	24A	
00002212070	08	08A		00031120123	03	35A		00D02600631	12	12A		00G04401462	07	42A	
00002212070	09	19A		00032015000	08	04A		00D02600631	13A	23A		00G04401462	10	23A	
00002215152	01	25A		00032015000	09	03A		00D02600631	13B	23A		00G04613921	06	28A	
00002503230	03	04A		00034000802	08	17A		00D03700131	04	12A		00G04700141	10	26A	
00002518790	01	17A		00034000802	10	27A		00D03700131	13A	31A		00G05300011	25	09A	
00003112322	03	03A		00036008000	01	02A		00D05310091	25	10A		00G06800021	22	11A	
00003115422	03	23A		00037000600	19	21A		00D05900031	13A	25A		00H00200701	02A	18A	
00003127200	19	19A		00047030400	04	04A		00D05900081	04	37A		00H00201111	02A	13A	
00003710110	07	31A		00047030900	19	16A		00D05900081	07	26A		00H00201441	02A	20A	
00003710120	07	32A		00058020200	08	05A		00D05910081	12	08A		00H00201531	02A	12A	
00004154000	23	09A		00058020200	09	05A		00F00400131	04	07A		00H00201581	02A	21A	
00004162500	19	20A		00073481964	04	31A		00F00400771	04	08A		00H00201741	02A	01A	
00005010760	06	25A		00092061214	13A	15A		00F00403321	04	14A		00H00202101	02A	11A	
00005527540	10	19A		00262080022	01	08A		00F00900531	06	20A		00H00202151	02A	09A	
00005551290	14	03A		00262100032	01	27A		00F00900531	07	34A		00H00202201	02A	16A	
00006309260	06	26A		00262120032	03	07A		00F00900531	10	10A		00H00202231	02A	17A	
00006321040	06	12A		00402060001	05A	16A		00F00920551	06	19A		00H00203261	02A	15A	
00006321040	10	03A		00402060001	05B	16A		00F01810411	01	29A		00H00203471	02A	19A	
00008061500	07	27A		00402060001	05C	16A		00F02201591	07	14A		00H00204191	02A	14A	
00008063000	07	41A		00402080001	01	03A		00F03300731	22	10A	01	00H00204271	02A	08A	
00008902630	01	11A		00402080001	10	18A		00F03310741	22	08A		00H00206171	02A	10A	

CODIGO CODE	Lám. Diagr.	Figr.	Vers.	CODIGO CODE	Lám. Diagr.	Figr.	Vers.	CODIGO CODE	Lám. Diagr.	Figr.	Vers.	CODIGO CODE	Lám. Diagr.	Figr.	Vers.
00H00208091	02A	03A		00H01102072	10	15A		00H01801771	01	15A		00H03706011	23	08A	
00H00209011	02A	07A		00H01103211	10	08A		00H01802081	05A	15A		00H03800751	13A	14A	
00H00220001	02A	04A		00H01103611	10	14A		00H01802081	05B	15A		00H03800751	13A	33A	
00H00300672	08	18A		00H01106181	10	12A		00H01802081	05C	15A		00H03800751	13B	14A	
00H00300672	09	15A		00H01110581	10	13A		00H01804331	03	08A		00H03800751	13B	18A	
00H00300891	03	31A		00H01111081	10	01A		00H01809541	04	25A		00H03800751	13B	31A	
00H00301401	03	05A		00H01120021	10	16A		00H01810391	12	07A		00H03801961	13A	20A	
00H00301701	03	26A		00H01201331	08	16A		00H01978601	01	01A		00H03801961	13B	21A	
00H00301801	03	25A		00H01202271	08	02A		00H02000551	02A	26A		00H03802031	13A	16A	
00H00301851	03	28A		00H01203031	08	22A		00H02002051	02A	26A		00H03802091	13A	24A	
00H00301861	03	29A		00H01204714	08	03A		00H02008031	02A	24A		00H03802472	13A	03A	
00H00301871	03	27A		00H01206061	08	12A		00H02008041	02A	25A		00H03802472	13B	03A	
00H00303892	03	37A		00H01206101	08	10A		00H02100191	06	07A		00H03802751	13A	08A	
00H00325971	03	01A		00H01208191	08	13A		00H02100861	06	08A		00H03802751	13B	08A	
00H00400501	13A	18A		00H01209081	08	06B		00H02100901	06	22A		00H03804971	13A	32A	
00H00400501	13A	21A		00H01209083	08	06A		00H02101011	06	18A		00H03805011	13A	01A	
00H00400501	13B	12A		00H01209083	08	06C		00H02101621	06	02A		00H03805011	13B	01A	
00H00400501	13B	20A		00H01219111	08	09A		00H02105082	06	05A		00H03805301	13A	19A	
00H00404051	04	24A		00H01222021	08	11A		00H02105612	06	27A		00H03805301	13B	19A	
00H00410011	04	09A		00H01301491	03	36A		00H02200681	06	13A		00H03808021	13A	13A	
00H00415681	04	01A		00H01301721	09	20A		00H02201302	01	24A		00H03808021	13B	13A	01
00H00502901	05A	30A		00H01301831	08	21A		00H02201312	01	06A		00H03810501	13A	02A	
00H00502901	05B	30A		00H01302052	09	08A		00H02201521	03	19A		00H03810501	13B	02A	
00H00502901	05C	30A		00H01302354	09	13B		00H02201591	05A	19A		00H04101181	21	06A	
00H00554691	05A	06A		00H01303091	09	22A		00H02201591	05B	19A		00H04103771	21	22A	
00H00554701	05A	07A		00H01303201	09	02A		00H02201591	05C	19A		00H04302181	04	06A	
00H00606021	04	18A		00H01303521	10	29A		00H02207671	06	29A		00H04415771	05A	04A	
00H00620161	05A	14A		00H01303731	09	21A		00H02239371	07	05A		00H04415772	05A	04B	
00H00625011	04	17A		00H01304202	03	02A		00H02300961	07	36A		00H04415781	05A	05A	
00H00625012	04	17B		00H01304811	03	15A		00H02304501	07	08A		00H04415782	05A	05B	
00H00705121	05A	13A		00H01306181	09	04A		00H02305381	06	14A		00H04603841	07	20A	
00H00705121	05B	13A		00H01306824	09	16A		00H02401282	09	10A		00H04605841	07	19A	
00H00705121	05C	13A		00H01308361	09	12A		00H02402282	08	19A		00H04701171	10	25A	
00H00718341	05A	11A		00H01308531	09	09A		00H02411331	09	01A		00H04702121	10	02A	
00H00718341	05B	11A		00H01309321	09	11A		00H02411331	09	01C		00H04703141	08	14A	
00H00718341	05C	11A		00H01309352	09	13A		00H02500272	01	18A		00H04722082	08	01A	
00H00721021	05A	01A		00H01309352	09	13C		00H02501491	20	28A		00H04722082	08	01C	
00H00721021	05B	01A		00H01331031	09	06A		00H02703421	17	02A		00H04903292	01	22A	
00H00721021	05C	01B		00H01500421	03	33A		00H02800421	18	23A		00H05100101	25	13A	
00H00721023	05A	01B		00H01500691	04	35A		00H02813371	18	22A		00H05101011	14	04A	
00H00721023	05C	01A		00H01501212	09	18A		00H02902252	19	15A		00H05101561	14	02A	
00H00800422	01	28A		00H01501701	05A	09A		00H03000272	01	26A		00H05155121	14	01A	
00H00804081	01	10A		00H01501701	05B	09A		00H03007241	20	06A		00H05160651	05A	33A	
00H00805072	01	12A		00H01501701	05C	09A		00H03203711	21	14A		00H05160652	05A	33B	
00H00819011	01	09A		00H01501811	05A	25A		00H03204231	21	13A		00H05300041	25	04A	
00H00900871	06	10A		00H01501811	05A	27A		00H03204281	21	08A		00H05300151	25	06A	
00H00903291	06	16A		00H01501811	05B	25A		00H03206421	21	04A		00H05301841	25	17A	
00H00906012	06	01B		00H01501811	05B	27A		00H03207211	21	02A		00H05400451	25	01A	
00H00906013	06	01A		00H01501811	05C	25A		00H03207261	04	33A		00H05400461	25	15A	
00H00906203	06	06A		00H01501811	05C	27A		00H03208031	21	05A		00H05400581	25	02A	
00H00917301	06	17A		00H01501811	10	24A		00H03208491	04	27A		00H05401451	25	14A	
00H00919751	06	11A		00H01502201	09	17A		00H03209251	04	26A		00H05401561	25	03A	
00H00930071	06	15A		00H01502871	03	16A	01	00H03214431	21	03A		00H05600241	25	05A	
00H00930091	06	04A		00H01503741	07	15A		00H03330171	22	07A		00H05600351	25	07A	
00H00931171	06	03A		00H01508181	03	11A		00H03404321	12	09A		00H05600421	25	11A	
00H01000131	07	10A		00H01511191	03	24A		00H03454081	12	01A		00H05600431	25	12A	
00H01001701	10	07A		00H01600911	11	04A		00H03700131	10	09A		00H05601261	25	16A	
00H01001911	07	02A		00H01615051	11	06A	01	00H03700461	20	18A		00H05700101	07	13A	
00H01005311	07	29A		00H01632521	11	01A		00H03701411	13A	29A		00H05700481	07	04A	
00H01009321	07	12A		00H01642521	11	01C		00H03701411	13B	29A		00H05701061	07	33A	
00H01013011	07	06A		00H01643521	11	01B		00H03703051	13A	28A		00H05703141	07	11A	
00H01047301	07	01A		00H01701011	07	40A		00H03703051	13B	28A		00H05900021	05A	02A	
00H01100172	10	17A		00H01704311	07	38A		00H03704081	13A	26A		00H05900021	05B	02A	
00H01101731	10	05A		00H01706021	07	39A		00H03704081	13B	26A		00H05900021	05C	02A	

CODIGO CODE	Lám. Diagn.	Figr.	Vers.	CODIGO CODE	Lám. Diagn.	Figr.	Vers.	CODIGO CODE	Lám. Diagn.	Figr.	Vers.	CODIGO CODE	Lám. Diagn.	Figr.	Vers.
00H05900021	13A	10A		847060	19	07A		847228	17	08A		86467100WNO	05C	07A	
00H05900021	13B	10A		847061	19	06A		847228	19	01A		86467101WNO	05C	07B	
00H05908251	01	30A		847062	19	09A		847229	19	03A		86467300WNO	05C	04A	
00H06201061	04	15A		847067	24	04A		847230	19	13A		86467600WNO	05C	05A	
00H06300771	05A	31A		847068	17	06A		847231	19	14A		86468600WB1	05C	04B	
00H06300771	05B	31A		847069	17	04A		847232	19	05A		86468800WB1	05C	05B	
00H06300771	05C	31A		847070	17	05A		847233	22	05A		864880	02B	20A	
00H06300771	22	14A		847073	17	03A		847234	22	03A		864881	02B	21A	
00H06300791	11	08A		847074	19	04A		847235	22	02A		864882	02B	03A	
00H06303401	01	16A		847075	16	19A		847236	17	01A		864883	02B	02A	
00H06303752	04	05A		847075	17	07A		847237	20	07A		864884	02B	01A	
00H06500451	01	19A		847076	23	11A		847238	20	08A		864885	02B	04A	
00H06800471	03	34A		847077	24	06A		847239	20	13A		864886	02B	05A	
00K05110651	05A	12A		847078	24	08A		847240	20	12A		864887	02B	06A	
00K05110651	05B	12A		847079	24	05A		847241	20	03A		864888	02B	07A	
00K05110651	05C	12A		847080	24	07A		8472625001	15	02A		864889	02B	08A	
311163	23	13A		847081	18	31A		8472625002	15	02B		864890	02B	09A	
436947	15	14A		847083	16	18A		8472625003	15	02C		864891	02B	10A	
483395	24	12A		847084	20	05A		8472625004	15	02D		864892	02B	11A	
484704	21	07A		847085	22	06A		847508	15	01A		864893	02B	12A	
828152	20	25A		847086	18	03A		847529	15	17A		864894	02B	13A	
82829R	22	01A		847087	20	14A		847541	18	16A		864895	02B	14A	
82835R	16	10A		847090	16	22A		847542	18	14A		864896	02B	15A	
847006	15	03A		847091	20	11A		847544	18	02A		864897	02B	16A	
847007	15	18A		847092	20	21A		847545	18	18A		864898	02B	17A	
847008	15	15A		847093	20	20A		847546	18	17A		864899	02B	18A	
847009	15	07A		847096	20	31A		847547	18	34A		864900	02B	19A	
847010	15	10A		847098	16	01A		847548	18	15A		864901	02B	22A	
847012	15	04A		847153	18	07A		847549	18	11A		864902	02B	23A	
847014	15	08A		847154	18	21A		847550	18	13A		864903	02B	24A	
847015	20	16A		847155	18	09A		86107R	07	01B		864940	08	01B	
847019	18	19A		847156	18	10A		86128R	12	02A		864943	09	01B	
847020	15	11A		847157	18	08A		86133R	03	16A		864944	05C	33A	
847020	15	13A		847158	18	30A		86137R	11	06A		864945	05C	33B	
847021	18	04A		847159	18	35A		86138R	13B	13A		86525100WB1	05B	01B	
847022	20	02A		847172	15	12A		86246100WA3	04	01B		865366	04	23A	
847023	20	10A		847174	20	27A		86246100WB1	04	01C		871319	20	30A	
847023	20	29A		847176	24	13A		86247300WNO	07	05B		871688	24	03A	
847024	20	17A		847178	15	05A		86247400WA3	05B	04A		CM149801	20	09A	
847026	15	09A		847179	16	09A		86247400WB1	05B	04B		CM149802	19	02A	
847027	18	01A		847180	20	15A		86247500WA3	05B	05A		CM149804	15	19A	
847028	18	06A		847181	24	14A		86247500WB1	05B	05B		CM149804	20	22A	
847029	18	36A		847182	23	03A		86247600WNO	05B	06A		CM149805	24	02A	
847030	18	27A		847182	24	11A		86247700WNO	05B	07A		CM149806	20	23A	
847031	18	37A		847183	23	07A		86248100WNO	05B	14B		CM149808	20	24A	
847032	18	26A		847183	24	10A		86248200WNO	05B	14A		CM149809	20	26A	
847036	18	32A		847184	23	02A		86248300WA3	05B	33A		CM1503015	20	01A	
847038	18	29A		847184	24	09A		86248300WB1	05B	33B		CM150703	20	04A	
847040	16	11A		847209	18	20A		86248500WG2	04	17C		CM150802	24	01A	
847042	16	12A		847210	18	05A		862493	13B	16A		CM151201	16	20A	
847043	16	07A		847211	18	12A		862541	13B	25A		CM151902	15	06A	
847044	16	08A		847213	18	33A		862542	13B	33A		CM152702	21	01A	
847045	16	03A		847214	18	28A		862543	13B	32A					
847046	16	13A		847215	15	16A		862544	13B	34A					
847047	16	14A		847215	22	04A		863693	12	17A					
847048	16	16A		847217	16	02A		863989	03	30A					
847051	23	10A		847218	16	04A		864099	04	02A					
847052	23	01A		847220	16	05A		864452	02B	25A					
847053	23	12A		847221	16	06A		864660	07	25A					
847055	23	04A		847223	16	21A		86466400WNO	07	05C					
847056	19	08A		847224	16	15A		86466600WNO	05C	14A					
847057	19	10A		847225	16	17A		86466601WNO	05C	14B					
847058	19	11A		847226	23	06A		86466900WNO	05C	06A					
847059	19	12A		847227	23	05A		86466901WNO	05C	06B					