

NACIONAL MOTOR, S.A.U. DERBI

C/ Barcelona, nº19 - Martorelles 08107 - BARCELONA (SPAIN)

Tel. 93 565 78 78 - Fax 93 565 78 52

DERBI



SENDA HYP DRD EVO LIMITED EDITION 2008 E2

CÓDIGO CATÁLOGO
CATALOGUE NUMBER

7077CH08012

**IDENTIFICACION DE MODELOS REPRESENTADOS EN ESTE
CATALOGO SEGUN LOS DIGITOS SIGUIENTES**

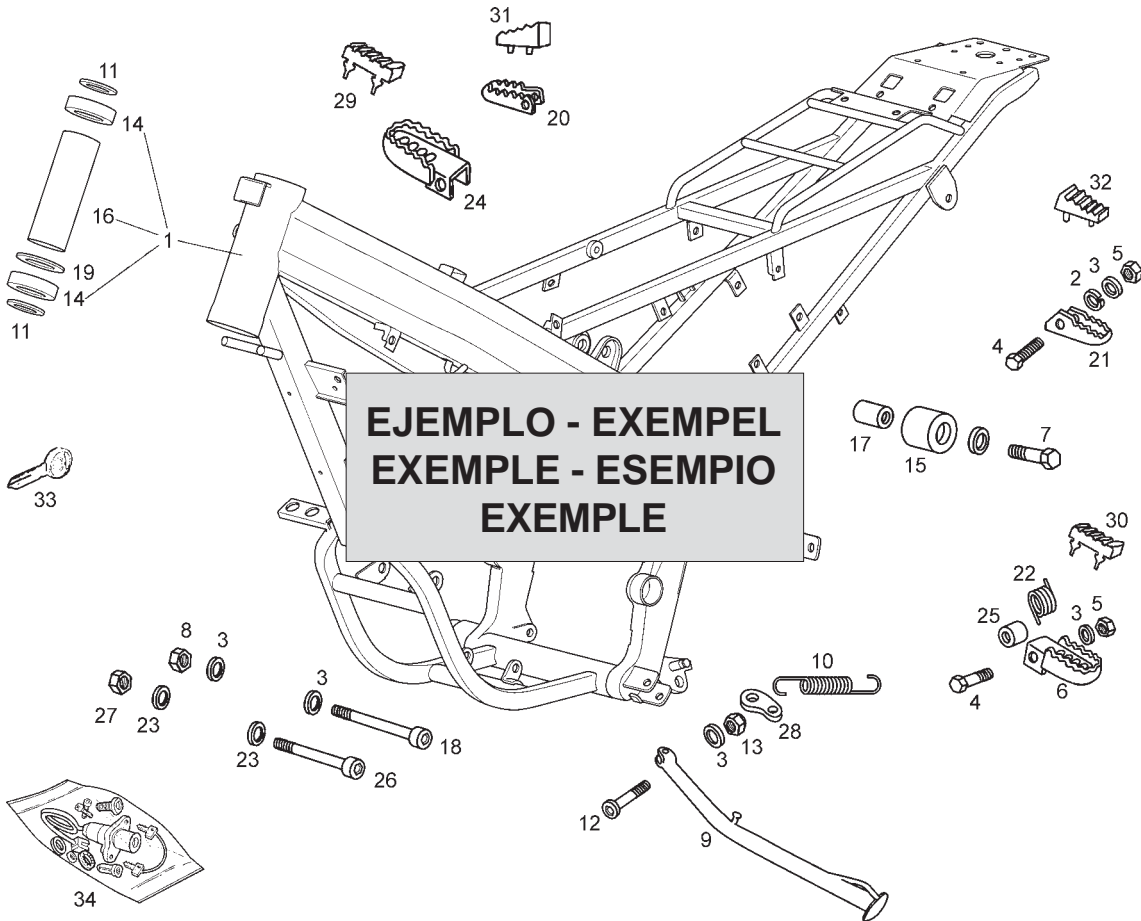
**IDENTIFICAZIONE DEI MODELLI RAPPRESENTATI IN QUESTO CATALOGO
SECONDO I NUMERI A SEGUIRE**

**THE MODELS REFERRED INTO THIS CATALOGUE ARE IDENTIFIED
BY FOLLOWING NUMBERS**

BESTIMMUNG DER VERSCHIEDENEN MODELLE IN DIESEM KATALOG

**IDENTIFICATION DES MODELOES REPRESENTES DANS CE CATALOGUE,
EN FONCTION DES CODES SUIVANTS**

| MODELO MODELLI MODEL MODELL MODELE | DENOMINACION DENOMINAZIONE MODEL NAME BEZEICHNUNG DENOMINATION | CODIGO MODELO CODICE MODELLI CODE MODEL KODE MODELL CODE MODELE |
|--|--|---|
| 1 | SENDA HYP DRD EVO 50cc ESPAÑA LIMITED EDITION 2008 E2 SENDA HYP DRD EVO 50cc FRANCE LIMITED EDITION 2008 E2 SENDA HYP DRD EVO 50cc ENGLAND LIMITED EDITION 2008 E2 SENDA HYP DRD EVO 50cc ITALY LIMITED EDITION 2008 E2 | E92H50E882 E92H50F882 E92H50G882 E92H50I882 |



| Fig. | Ver. | COD. KOD. | DESCRIPCIÓN DENOMINAZIONE NAME | BEZEICHNUNG DESIGNATION | MOD. | NOTAS NOTES NOTA MITSCHRIFT NOTES |
|------|--------|-------------|---|-------------------------|------|-----------------------------------|
| 01A | | 00G01924601 | R-SCTO.CUADRO C/COJIN. ATLANTIS TELAIO FRAME SUB-ASSEMBLY | RHAMEN CADRE COMPLET | 12 | XXXXXXX |
| ② | 01A 01 | 00G01924601 | R-SCTO.CUADRO C/COJIN. ATLANTIS TELAIO FRAME SUB-ASSEMBLY | RHAMEN CADRE COMPLET | 12 | XXXXXXX |
| ③ | 01A 02 | 00G01924601 | | | | |
| ④ | 01A 03 | 00G01924601 | R-SCTO.CUADRO C/COJIN. ATLANTIS TELAIO FRAME SUB-ASSEMBLY | RHAMEN CADRE COMPLET | 12 | XXXXXXX |
| ① | | ⑤ | | ⑧ | ⑥ | ⑦ |

















1- Código de localización de piezas. 2- Código indicativo de pieza reemplazada. 3- Código indicativo de pieza anulada. 4- Código indicativo de pieza restituida (esta se monta de nuevo). 5- Código de referencia de la pieza. 6- Identificación de modelos. 7- Los códigos de esta casilla indican que, a partir del número de chasis o motor indicado dentro de esta, se monta una nueva pieza que reemplaza a la anterior (sección 2), que una pieza no se monta (sección 3), o que la pieza anulada se monta de nuevo (sección 4), y concierne a los modelos indicados (sección 6). 8- Denominación de la pieza.












1- Codice di localizzazione pezzi. 2- Codice indicatore del pezzo sostituito. 3- Il pezzo precedente non si monta. 4- Codice indicatore dei pezzi che si tornano a montare. 5- Codice di identificazione del pezzo. 6- Identificazione del modello. 7- Il codice di questa casella indica che, dal numero di Telaio/motore indicato, si monta un nuovo pezzo che sostituisce il precedente (sezione 2), che un pezzo non si monta (sezione 3), oppure che il pezzo annullato si monta di nuovo (sezione 4), facendo riferimento al modello indicato (sezione 6). 8- Denominazione del pezzo.

1- Part location number. 2- Substituted part number. 3- Withdrawn part number (no longer fitted). 4- Restored part number (newly fitted going withdrawn). 5- Part reference number. 6- Model identification number. 7- Chassis or engine number from which a new part is fitted substituting a part which has been withdrawn (see para 2) or a part is withdrawn is fitted again (see para 4), in the models indicated (see para 6). 8- Part identification label.

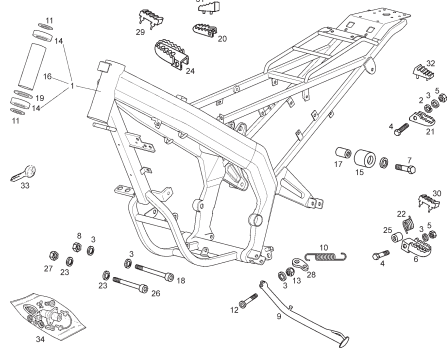
1- Zeichnung - Nummer. 2- Ausführung. 3- Gestrichene Ersatzteilnummer. 4- Ersetzte Ersatzteilnummer. 5- Ersatzteilnummer. 6- Modell - Nummer. 7- Rhamen - order motonummer, für die ein neues teil eingestzt wird, z.b. eine nummer, die geändert (s. para 2), order ein teil, das gestrichen wurde (s. para 3), order ein teil, das vorübergehend verschiedene modelle (s. para 6) 8- Bezeichnung.

1- Code de localisation de la pièce. 2- Code indicateur de pièce remplace par un autre. 3- Code indicateur de pièce annulé (elle n'est plus montée). 4- Code indicateur de pièce restituée (elle se monte à nouveau). 5- Code référence de la pièce. 6- Les codes de cette case indiquant qu'à partir de numero 7- Chassis ou de moteur indiqué, un nouvelle pièce est montée en remplacement d'une autre (section 2), qu'une pièce n'est plus montée (section 3) ou la pièce anulée est montée à nouveau (section 4) et concernant les modèles indiqués (section 6). 8- Denomination de la pièce.

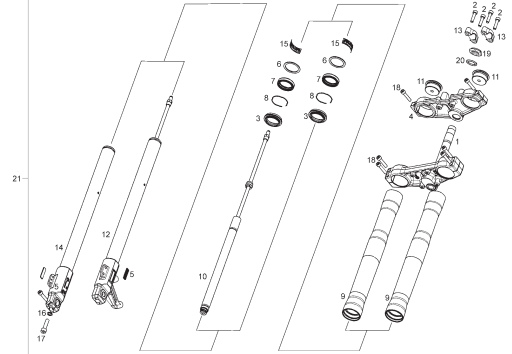
| IMAGEN FIGURE | LAMINA DIAGRAM | POSICION POSITION | CODIGO CODE | DESCRIPCION ESPAÑOL / SPANISH DESCRIPTION DESCRIPCION INGLES / ENGLISH DESCRIPTION | CANTIDAD POR MOTO QTY PER BIKE | NOTES NOTES |
|---|-------------------|----------------------|----------------|---|---|----------------|
|  | 01 | 33A | 00F01810411 | LLAVE CONTACTO POR MECANIZAR KEY | 1 | |
|  | 04 | 26A | 00H03209251 | ESPUMA FILTRO AIRE AIR FILTER MESH | 1 | |
|  | 06 | 08A | 00H00908201 | MANETA FRENO DELANTERO BRAKE LEVER | 1 | |
|  | 06 | 19A | 00H00905291 | MANETA EMBRAGUE CLUTCH LEVER | 1 | |
|  | 06 | 21A | 00H00906081 | CTO JUEGO EMPUÑADURAS GRIP KIT | 1 | |
|  | 06 | 25A | 00H02212671 | ESPEJO RETROVISOR DERECHO REAR VIEW MIRROR | 1 | |
|  | 06 | 26A | 00H04607921 | ESPEJO RETROVISOR IZQUIERDO REAR VIEW MIRROR | 1 | |
|  | 07 | 37A | 00H01000131 | LAMPARA FARO DELANTERO 12V 35W/35W HEADLIGHT BULB | 1 | |
|  | 07 | 46A | 00H01701011 | BOMBILLA INTERMITENTES (NARANJA) BULB | 4 | |
|  | 07 | 51A | 00G03300401 | BATERIA BATTERY | 1 | |
|  | 08 | 10A | 864848 | DISCO FRENO DELANTERO FRONT BRAKE DISC | 1 | |
|  | 08 | 14A | 861760 | JUEGO PASTILLAS DE FRENO SET OF BRAKE PADS | 1 | |
|  | 09 | 06A | 865067 | DISCO FRENO TRASERO REAR BRAKE DISC | 1 | |
|  | 09 | 09A | 00H01323031 | PLATO ARRASTRE Z-53 DRIVE PLATE | 1 | |
|  | 09 | 13A | 00H01502201 | CADENA SECUNDARIA 130P TRANSMISSION CHAIN | 1 | |
|  | 10 | 16A | 00H01120021 | PALANCA FRENO BRAKE PEDAL | 1 | |

| IMAGEN FIGURE | LAMINA DIAGRAM | POSICION POSITION | CODIGO CODE | DESCRIPCION ESPAÑOL / SPANISH DESCRIPTION DESCRIPCION INGLES / ENGLISH DESCRIPTION | CANTIDAD POR MOTO QTY PER BIKE | NOTES NOTES |
|---|-------------------|----------------------|----------------|---|---|----------------|
|  | 10 | 28A | 865451 | KIT COMPONENTES + PASTILLAS FRENO BRAKE PAD KIT REPAIR | 1 | |
|  | 15 | 01A | 847508 | CTO CILINDRO PISTON CYLINDER PISTON ASSEMBLY | 1 | |
|  | 15 | 02A | 8472625001 | CTO PISTON (A) PISTON (A) | 1 | |
|  | 15 | 02B | 8472625002 | CTO PISTON (B) PISTON (B) | 1 | |
|  | 15 | 02C | 8472625003 | CTO PISTON (C) PISTON (C) | 1 | |
|  | 15 | 02D | 8472625004 | CTO PISTON (D) PISTON (D) | 1 | |
|  | 15 | 03A | 847006 | ARO PISTON PISTON RING | 2 | |
|  | 16 | 07A | 847043 | DISCO CONDUCTIVO DRIVEN CLUTCH PLATE | 3 | |
|  | 16 | 08A | 847044 | DISCO CONDUCTOR CLUTCH PLATE | 4 | |
|  | 17 | 02A | 00H02703421 | PALANCA CAMBIO GEARSHIFT ASSY. | 1 | |
|  | 18 | 22A | 00H02813371 | PIÑÓN SALIDA CAMBIO Z-11 GEAR | 1 | |
| | | | | | | |
| | | | | | | |
| | | | | | | |
| | | | | | | |
| | | | | | | |

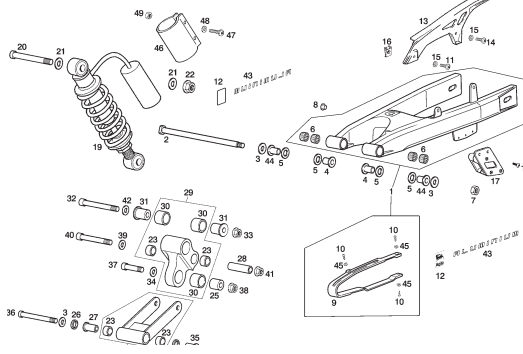
LAMINA / STAMPA / DIAGRAM / BILD / FEUILLE - 1



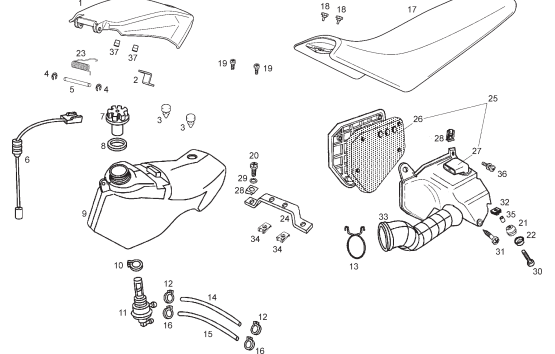
LAMINA / STAMPA / DIAGRAM / BILD / FEUILLE - 2



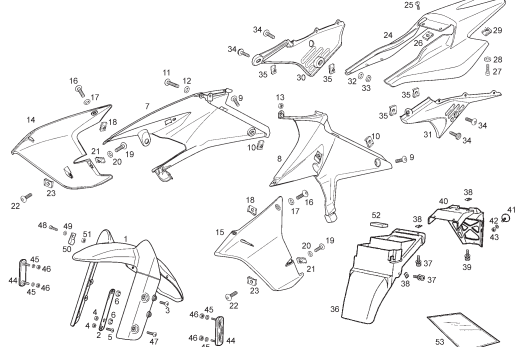
LAMINA / STAMPA / DIAGRAM / BILD / FEUILLE - 3



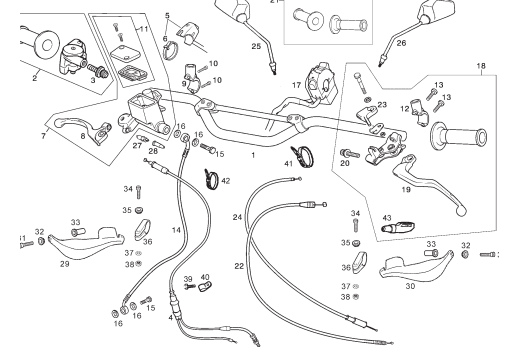
LAMINA / STAMPA / DIAGRAM / BILD / FEUILLE - 4



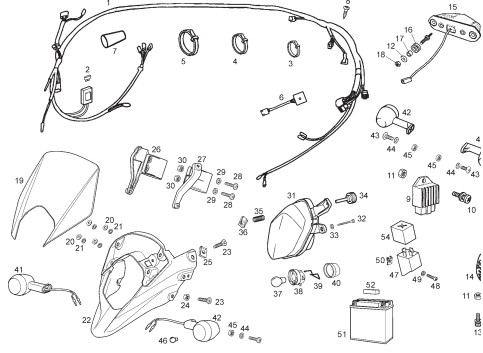
LAMINA / STAMPA / DIAGRAM / BILD / FEUILLE - 5



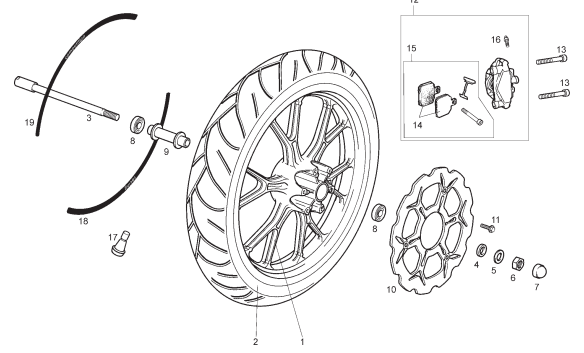
LAMINA / STAMPA / DIAGRAM / BILD / FEUILLE - 6



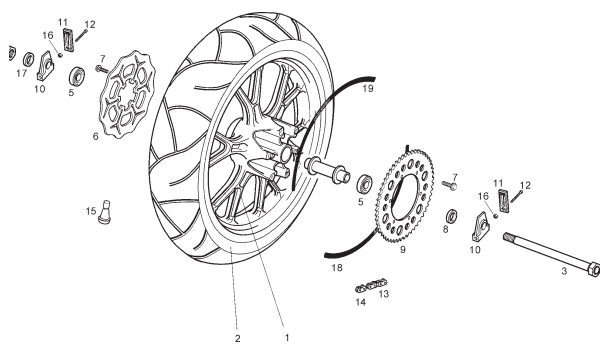
LAMINA / STAMPA / DIAGRAM / BILD / FEUILLE - 7



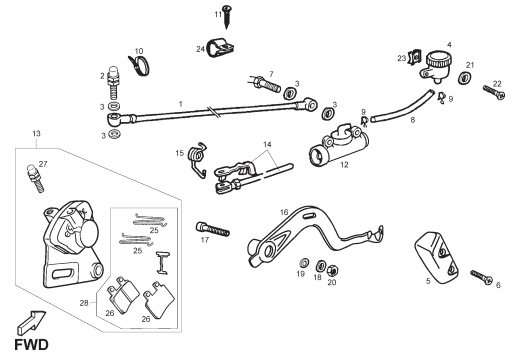
LAMINA / STAMPA / DIAGRAM / BILD / FEUILLE - 8



LAMINA / STAMPA / DIAGRAM / BILD / FEUILLE - 9

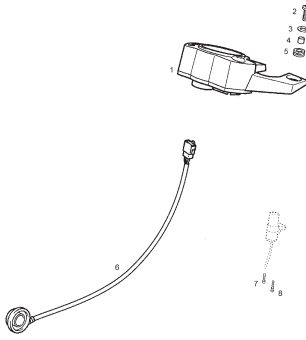


LAMINA / STAMPA / DIAGRAM / BILD / FEUILLE - 10

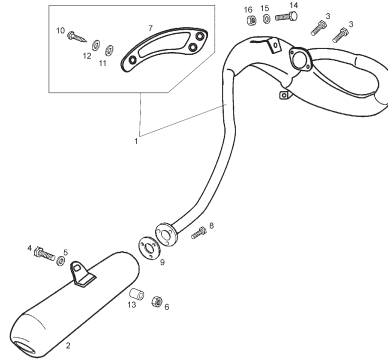


FWD

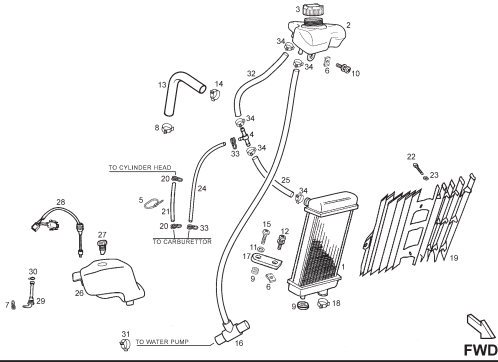
LAMINA / STAMPA / DIAGRAM / BILD / FEUILLE - 11



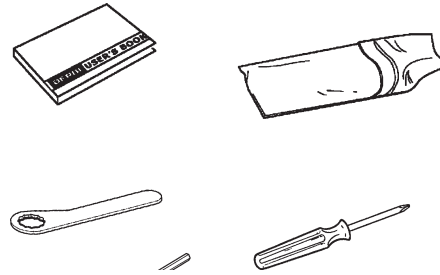
LAMINA / STAMPA / DIAGRAM / BILD / FEUILLE - 12



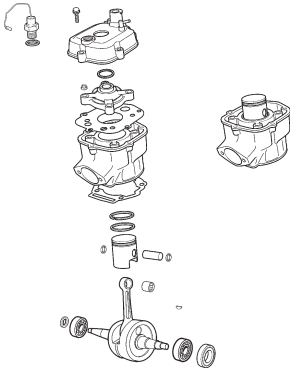
LAMINA / STAMPA / DIAGRAM / BILD / FEUILLE - 13



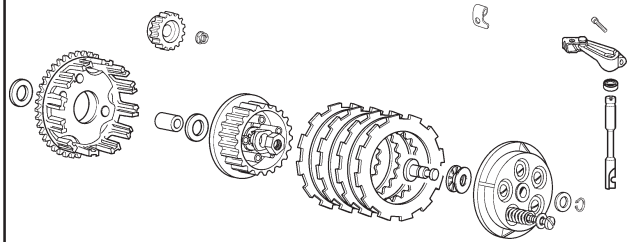
LAMINA / STAMPA / DIAGRAM / BILD / FEUILLE - 14



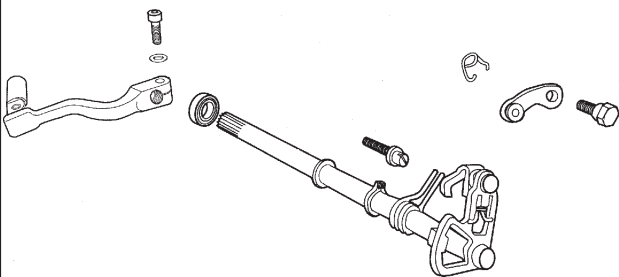
LAMINA / STAMPA / DIAGRAM / BILD / FEUILLE - 15



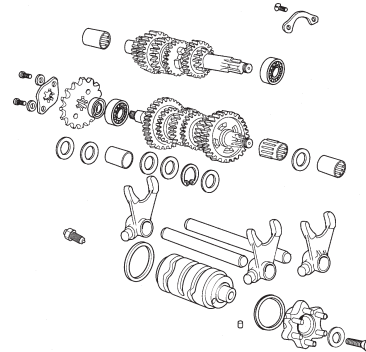
LAMINA / STAMPA / DIAGRAM / BILD / FEUILLE - 16



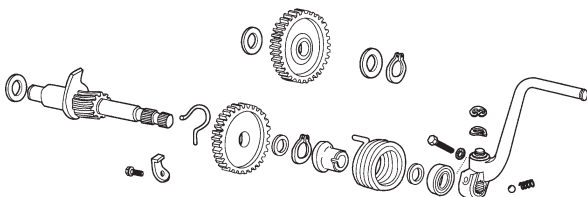
LAMINA / STAMPA / DIAGRAM / BILD / FEUILLE - 17



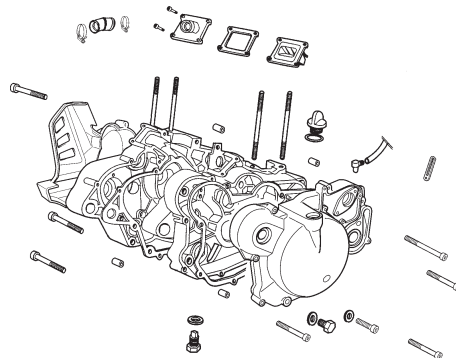
LAMINA / STAMPA / DIAGRAM / BILD / FEUILLE - 18



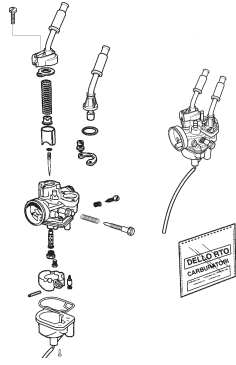
LAMINA / STAMPA / DIAGRAM / BILD / FEUILLE - 19



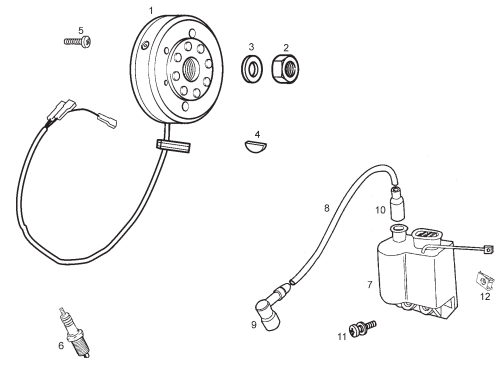
LAMINA / STAMPA / DIAGRAM / BILD / FEUILLE - 20



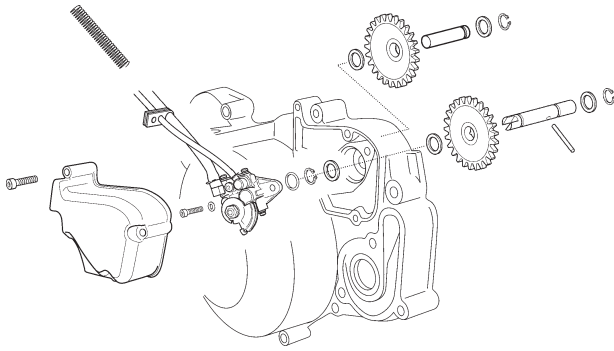
LAMINA / STAMPA / DIAGRAM / BILD / FEUILLE - 21



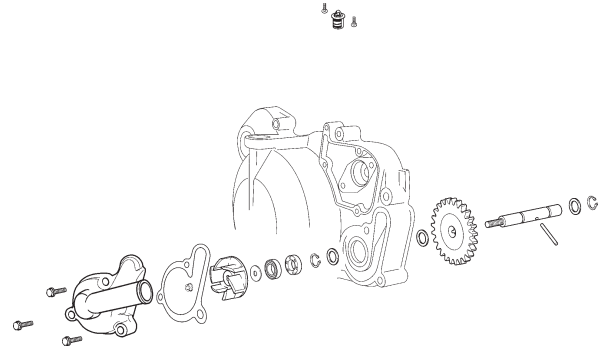
LAMINA / STAMPA / DIAGRAM / BILD / FEUILLE - 22



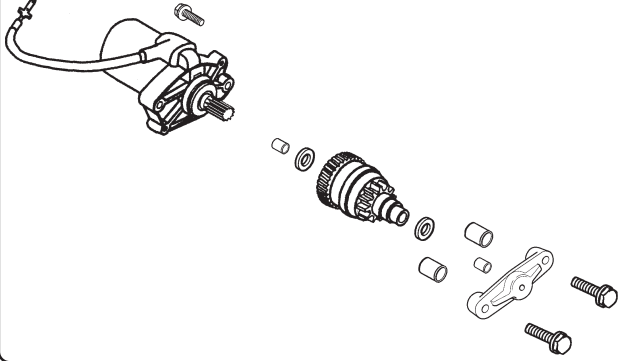
LAMINA / STAMPA / DIAGRAM / BILD / FEUILLE - 23

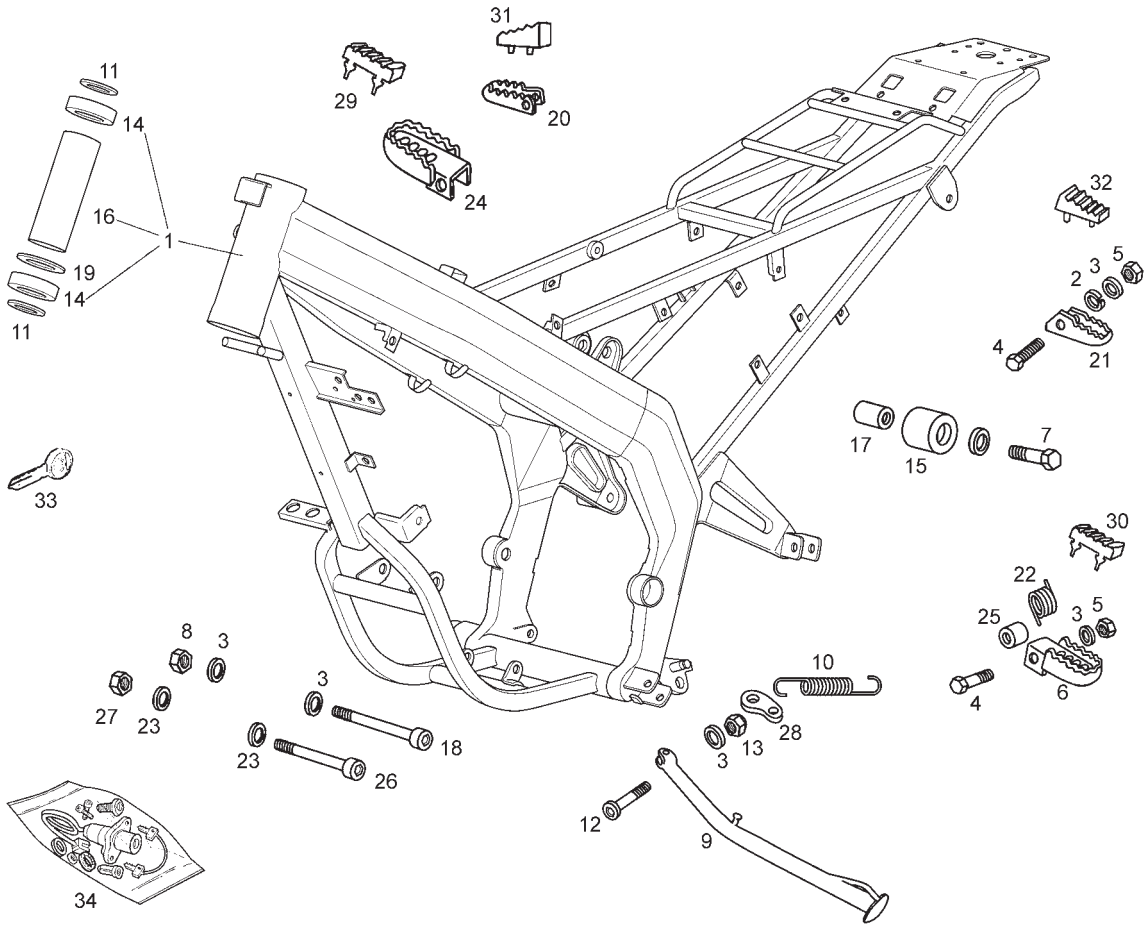


LAMINA / STAMPA / DIAGRAM / BILD / FEUILLE - 24

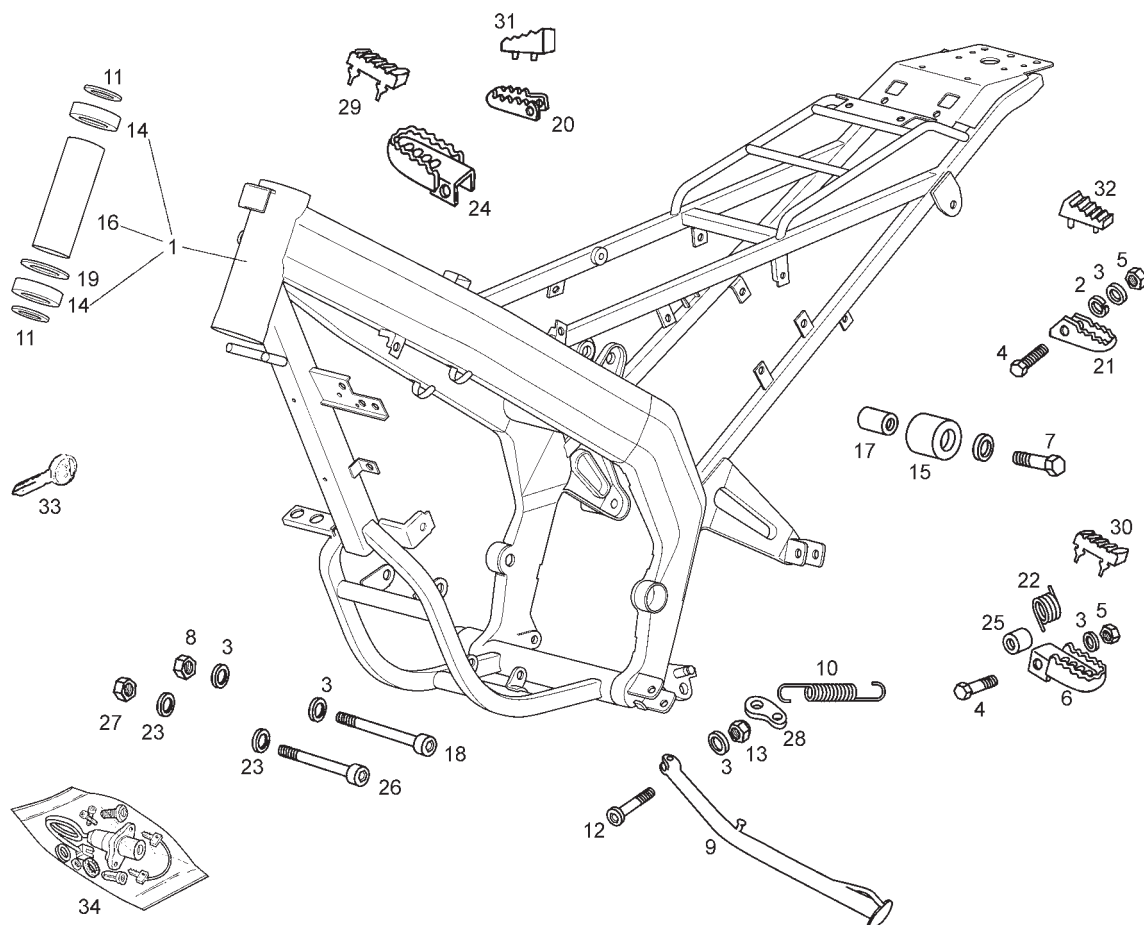


LAMINA / STAMPA / DIAGRAM / BILD / FEUILLE - 24

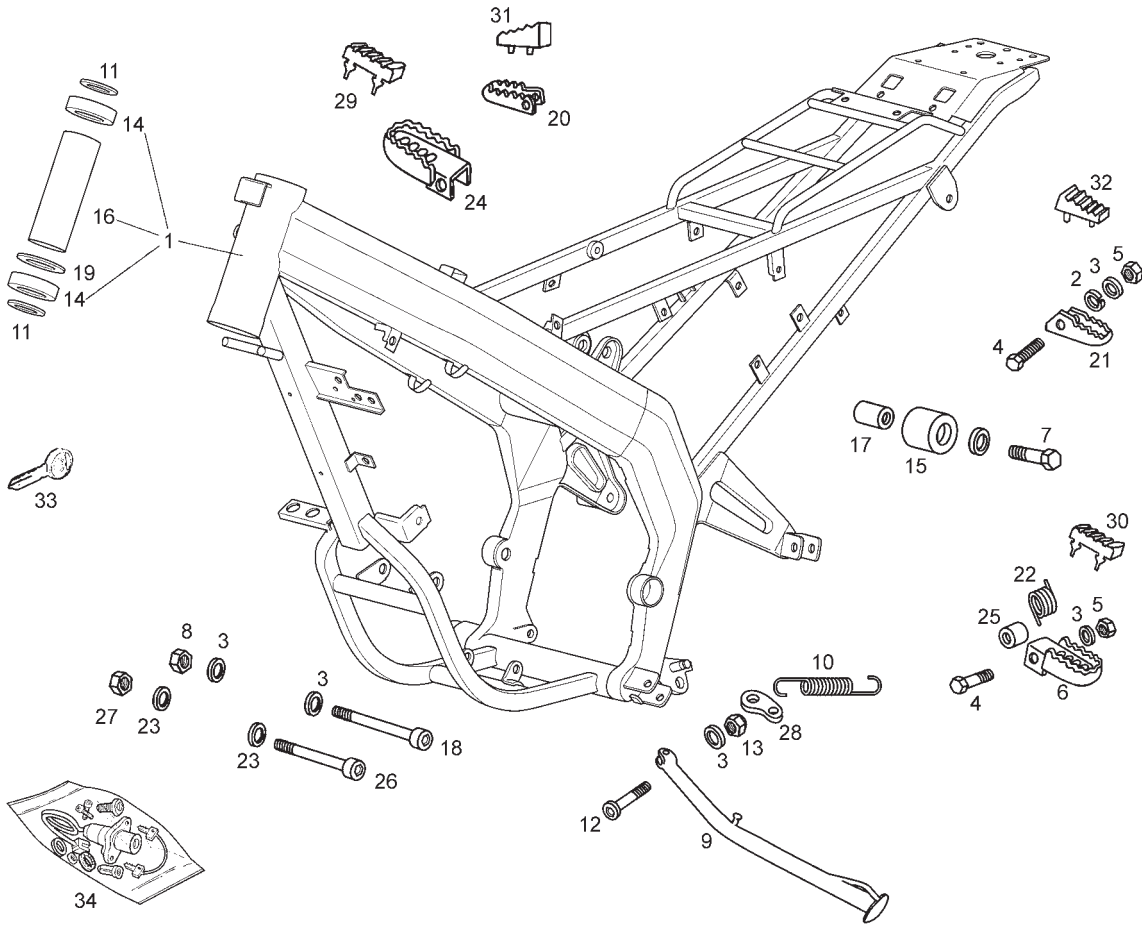




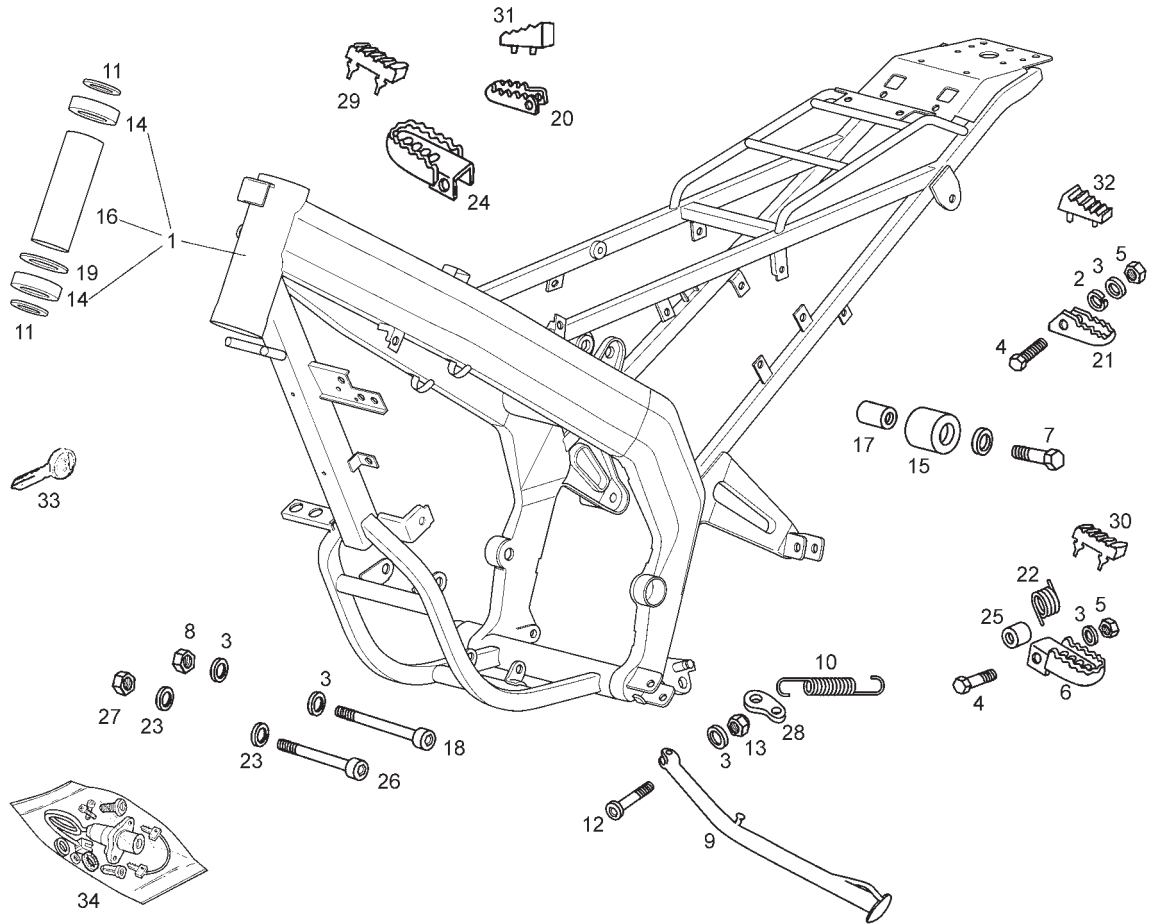
| Fig. | Ver. | COD. KOD. | DESCRIPCIÓN DENOMINAZIONE NAME | BEZEICHNUNG DESIGNATION | MOD. | NOTAS NOTES NOTA MITSCHRIFT NOTES |
|------|------|--------------|---|--|------|---|
| 01A | | 866152 | CTO CHASIS C/COJINETES TELAIO FRAME | RAHMEN SOUS ENSEMBLE CADRE | 1 | |
| 02A | | 00036008000 | ARANDELA MUELLE D8 RONDELLA WASHER | SCHEIBE RONDELLE | 1 | |
| 03A | | 00402080001 | ARANDELA PLANA D8 RONDELLA WASHER | SCHEIBE RONDELLE | 1 | |
| 04A | | 00022084021 | TORNILLO C/EXAG. 8M125X40 VITE SCREW | SCHRAUBE VIS | 1 | |
| 05A | | 00023108000 | TUERCA AUTOBLOC. 8M125. DADO NUT | MUTTER ECROU | 1 | |
| 06A | | 00H02201312 | ESTRIBERA IZQUIERDA PILOTO PEDANA SINISTRA FOOTREST | FUSSRASTER LINKS REPOSE PIED GAUCHE | 1 | |
| 07A | | 00022084521 | TORNILLO C/EXAG. 8M125X45 VITE SCREW | SCHRAUBE VIS | 1 | |
| 08A | | 00262080022 | TUERCA AUTOBLOCANTE 8M125 DADO NUT | MUTTER ECROU | 1 | |
| 09A | | 00H00820012 | PATA CABALLETE ZAMPA CAVALETTO SIDE STAN SUB-ASSY | SEITENSTANDER BEQUILLE LATERALE | 1 | |
| 10A | | 00H00804081 | MUELLE PATA CABALLETE MOLLA SPRING | FEDER RESSORT | 1 | |
| 11A | | 00008902630 | ARANDELA RONDELLA WASHER | SCHEIBE RONDELLE | 1 | |



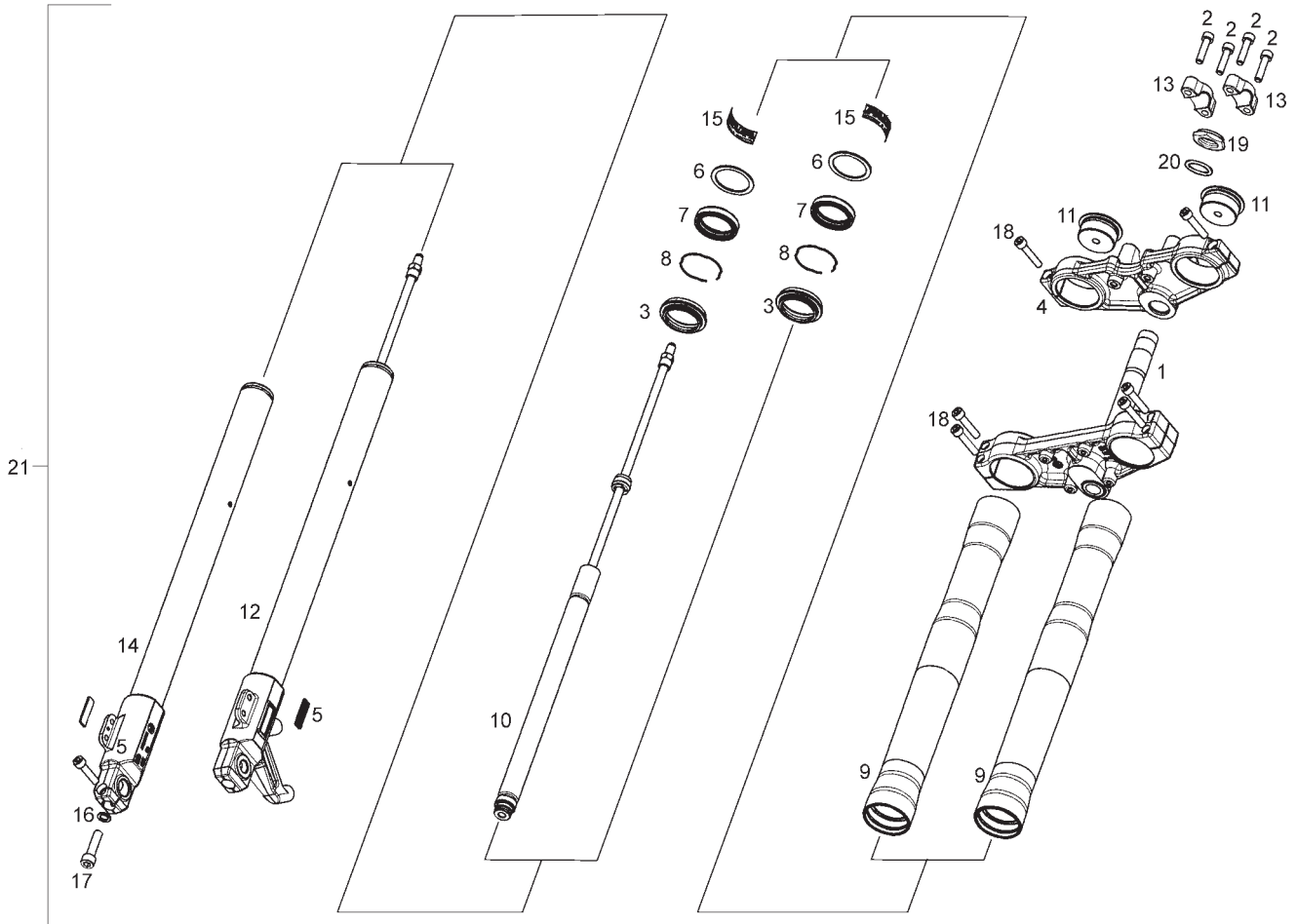
| Fig. | Ver. | COD. KOD. | DESCRIPCIÓN DENOMINAZIONE NAME | BEZEICHNUNG DESIGNATION | MOD. | NOTAS NOTES NOTA MITSCHRIFT NOTES |
|------|------|-------------|---|--|------|-----------------------------------|
| 12A | | 00H00805072 | TORNILLO FIJ. PATA CABALLETE VITE SCREW | SCHRAUBE VIS | 1 | |
| 13A | | 00023108000 | TUERCA EXAGONAL 8M125 DADO NUT | MUTTER ECROU | 1 | |
| 14A | | 00000056205 | COJINETE CUSCINETTO BEARING | LAGER COUSSINET | 1 | |
| 15A | | 00H01801771 | RODILLO TENSOR CADENA RULLO TENSORE CATENA CHAIN SUPPORTY GUIDE | ROLLE ROULETTE GUIDE CHAINE | 1 | |
| 16A | | 00H06303401 | TUBO SEPARADOR COJINETES TUBO TUBE | ROHR TUYAU | 1 | |
| 17A | | 00002518790 | CASQUILLO BRONZINA BUSHING | BUCHSE ENTRETOISE | 1 | |
| 18A | | 00H02500272 | TORNILLO FIJ. INF. MOT. ALL.8M125X90 VITE SCREW | SCHRAUBE VIS | 1 | |
| 19A | | 00H06500451 | ARANDELA COJIN. TUBO DIREC. RONDELLA WASHER | SCHEIBE RONDELLE | 1 | |
| 20A | | 00D01520096 | ESTRIBERA DERECHA PASAJERO PEDANA DESTRA RIGHT FOOT REST | FUSSRASTER RECHTS REPOSE-PIED DROIT | 1 | |
| 21A | | 00D01540456 | ESTRIBERA IZQUIERDA PASAJERO PEDANA SINISTRA LEFT FOOT REST | FUSSRASTER LINKS REPOSE-PIED GAUCHE | 1 | |
| 22A | | 00H04903292 | MUELLE FIJACION ESTRIBERA MOLLA SPRING | FEDER RESSORT | 1 | |



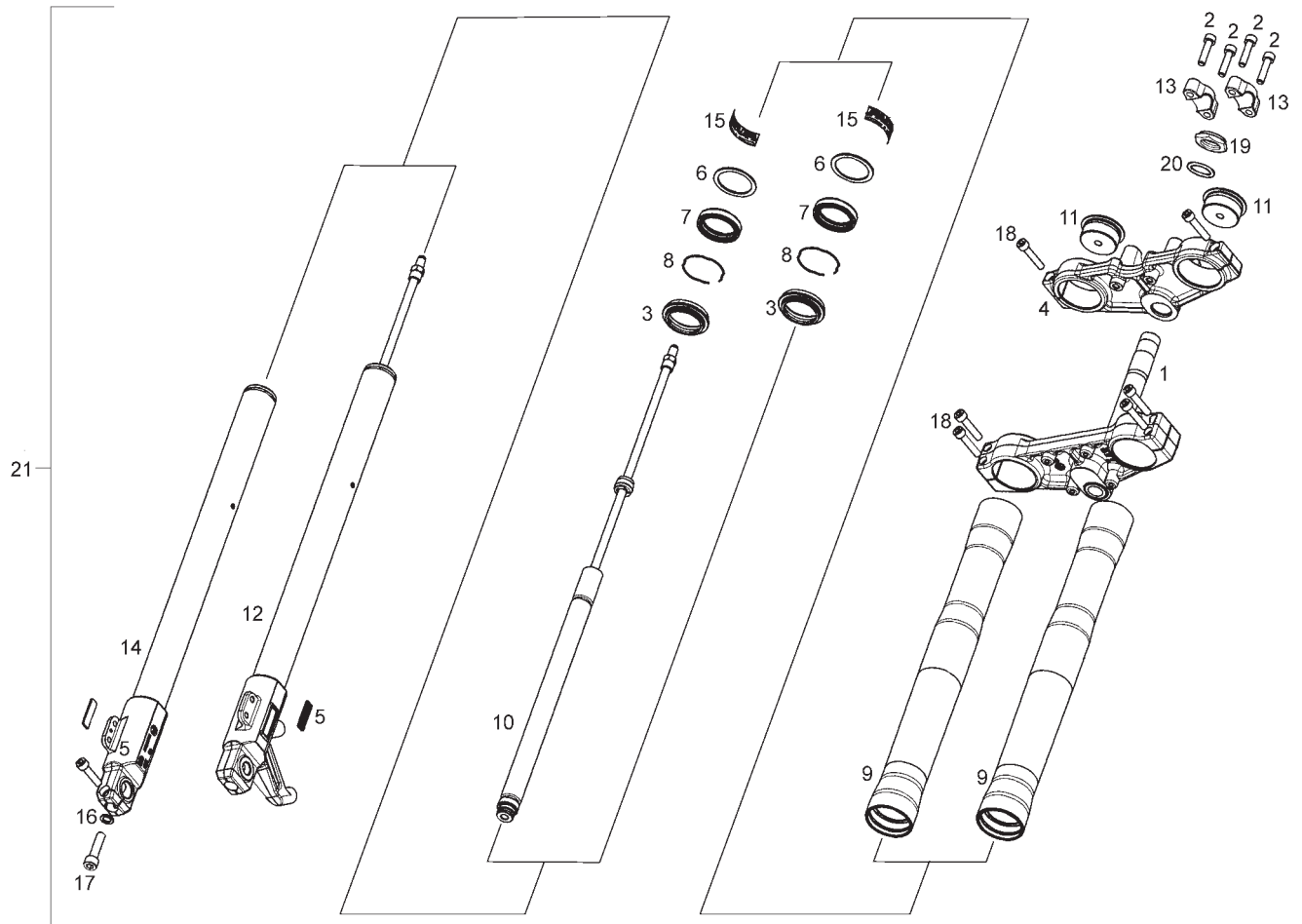
| Fig. | Ver. | COD. KOD. | DESCRIPCIÓN DENOMINAZIONE NAME | BEZEICHNUNG DESIGNATION | MOD. | NOTAS NOTES NOTA MITSCHRIFT NOTES |
|------|------|-------------|--|---|------|-----------------------------------|
| 23A | | 00402100001 | ARANDELA PLANA D10 RONDELLA WASHER | SCHEIBE RONDELLE | 1 | |
| 24A | | 00H02201302 | ESTRIBERA PILOTO DERECHA PEDANA DESTRA FOOTREST | FUSSRASTER RECHTS REPOSE PIED DROIT | 1 | |
| 25A | | 00002215152 | CASQUILLO BRONZINA BUSHING | BUCHSE ENTRETOISE | 1 | |
| 26A | | 00H03000272 | TORNILLO FIJ. DT. ALL.10M150X100 VITE SCREW | SCHRAUBE VIS | 1 | |
| 27A | | 00262100032 | TUERCA AUTOBLOCANTE 10M150 DADO NUT | MUTTER ECROU | 1 | |
| 28A | | 00H00800422 | PLACA RETORNO CABALLETE PIASTRINA RITORNO CAVALLETTO G SPRING KIK-STAND SUPPORT | PLATTE F. GESTELLRUCKFUHRU SUPPORT RESSORT DE BEQUILLE | 1 | |
| 29A | | 00H01502101 | PROTECTOR DR. ESTRIBERA PILOTO PROTEZIONE STAFFA DESTRA RIGHT FOOT REST PROTECTOR | RASTER GUMMI RECHTS PROTECTEUR REPOSE-PIED DROI | 1 | |
| 30A | | 00H01501501 | PROTECTOR IZ. ESTRIBERA PILOTO PROTEZIONE STAFFA SINISTRA LEFT FOOT REST PROTECTOR | RASTER GUMMI LINKS PROTECTEUR REPOSE-PIED GAUC | 1 | |
| 31A | | 00H01503101 | PROTECTOR ESTRIBERA DR. PASAJERO PROTEZIONE STAFFA DESTRA RIGHT FOOT REST PROTECTOR | RASTER GUMMI RECHTS PROTECTEUR REPOSE-PIED DROI | 1 | |
| 32A | | 00H01502501 | PROTECTOR ESTRIBERA IZ. PASAJERO PROTEZIONE STAFFA SINISTRA LEFT FOOT REST PROTECTOR | RASTER GUMMI LINKS PROTECTEUR REPOSE-PIED GAUC | 1 | |
| 33A | | 00F01810411 | LLAVE CERRADURAS P/MEC. CHIAVE KEY | SCHLUSSEL CLEF | 1 | |



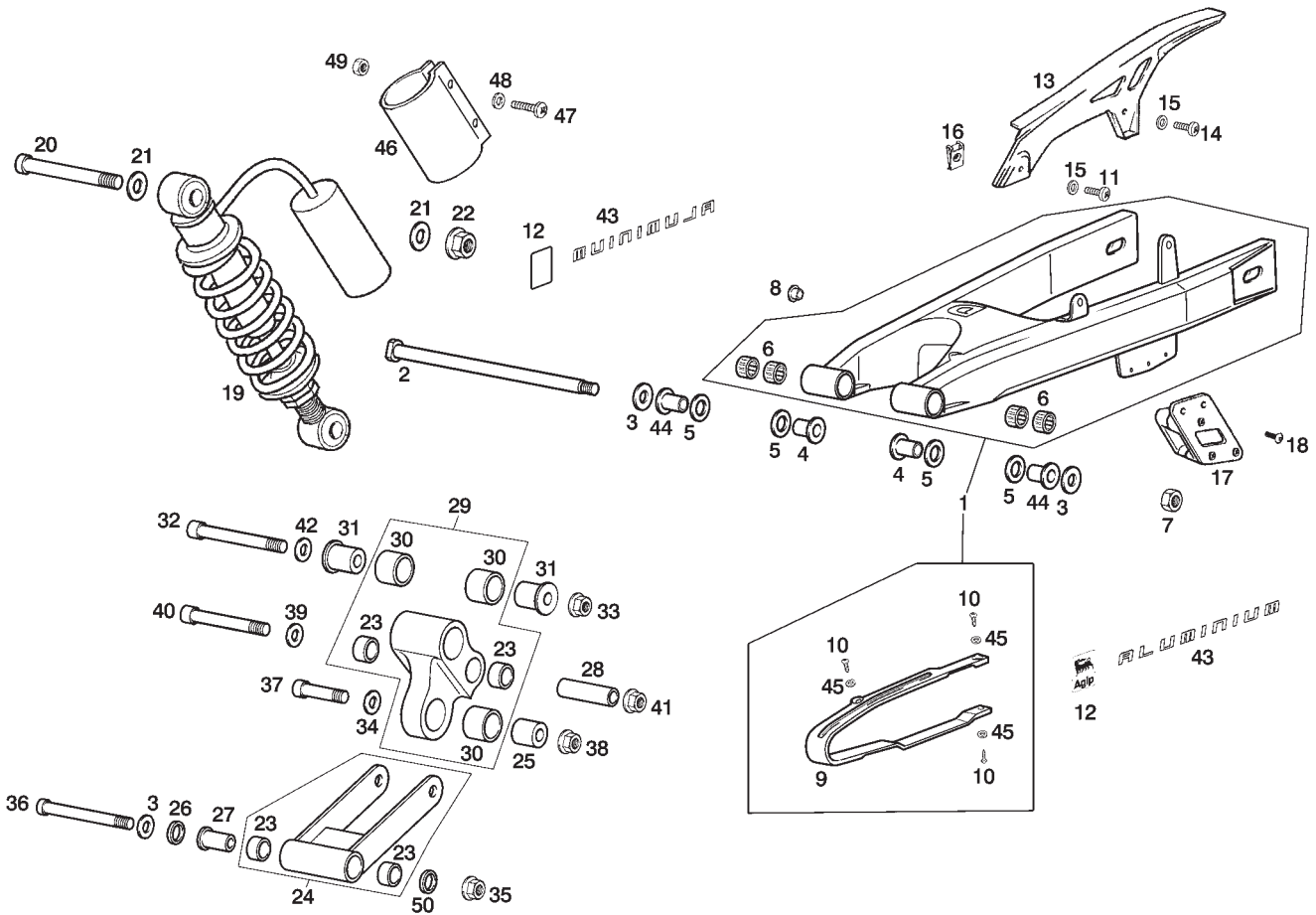
| Fig. | Ver. | COD. KOD. | DESCRIPCIÓN DENOMINAZIONE NAME | BEZEICHNUNG DESIGNATION | MOD. | NOTAS NOTES NOTA MITSCHRIFT NOTES |
|------|------|-------------|---|--|------|-----------------------------------|
| 34A | | 00H05908251 | CTO. KIT CERRADURAS SIN LEVAS SERRATURE SENZA LEVA LOCK WITH KEYS WITHOUT LEVER | SCHLOOS-SATZ OHNE VERSCHLUSSHEBEL 1 ENS. KIT SERRURES SANS LEVIER | | |
| 35A | | 00003306570 | ARANDELA FIJACION RONDELLA WASHER | SCHEIBE RONDELLE | 1 | |



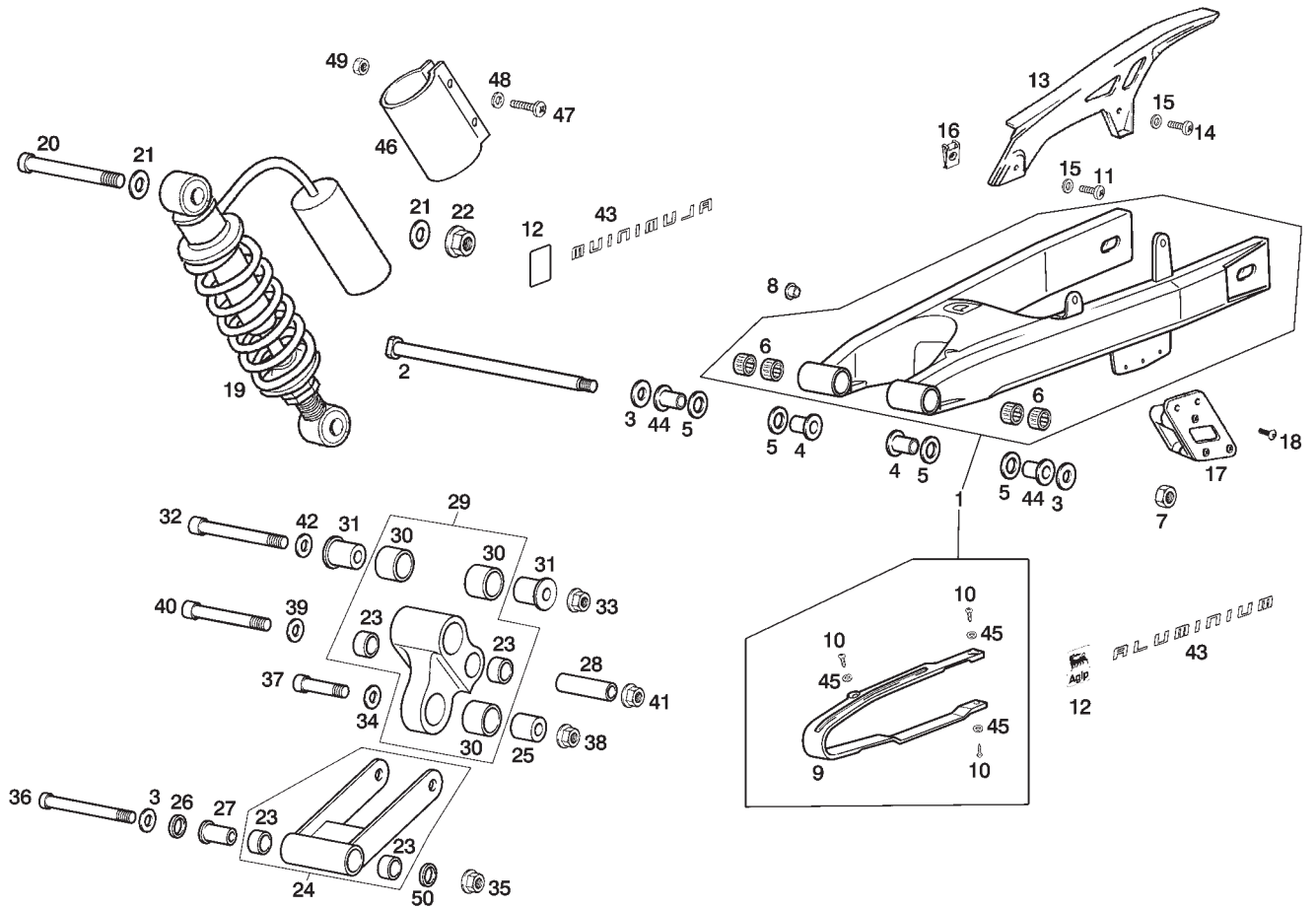
| Fig. | Ver. | COD. KOD. | DESCRIPCIÓN DENOMINAZIONE NAME | BEZEICHNUNG DESIGNATION | MOD. | NOTAS NOTES NOTA MITSCHRIFT NOTES |
|------|------|-----------|---|--------------------------------------|------|-----------------------------------|
| 01A | | 865462 | TIJA PLATINA TRAPEZIO INFERIORE LOWER TRIPLE CLAMP | SATTELSTANGE PLATINE INF. AVEC PIVOT | 1 | |
| 02A | | 863149 | TORNILLO M8X35 VITE SCREW | SCHRAUBE VIS | 1 | |
| 03A | | 865463 | GUARDAPOLVO PARAPOLVERE DUSTGUARD | STAUBFANGER POUSSIÈRE | 1 | |
| 04A | | 865464 | PLATINA SUPERIOR TRAPEZIO SUPERIORE UPPER BRACKET | BUGEL PLATINE SUP | 1 | |
| 05A | | 865465 | LOGO PAIOLI ADESIVI DECAL | AUFKLEBER ADHESIF | 1 | |
| 06A | | 865466 | ARANDELA TOPE RONDELLA WASHER | SCHEIBE RONDELLE | 1 | |
| 07A | | 865467 | RETEN HORQUILLA ANELLO DI TENUTA VALVOLA OIL SEAL | DICHTRING BAGUE D'ÉTANCHÉITE | 1 | |
| 08A | | 865468 | ANILLO RETEN ACEITE ANELLO TORICO O-RING | O-RING JOINT | 1 | |
| 09A | | 866154 | CTO PIERNA HORQUILLA NEGRA GAMBA OUTER TUBE UNIT | BEIN JAMBE | 1 | |
| 10A | | 865470 | TUBO HIDRAULICO TUBO IDRAULICO DAMPER TUBE | HYDRAULIKROHR TUBE HYDRAULIQUE | 1 | |
| 11A | | 865471 | TAPON PIERNA HORQUILLA TAPPO GAMBA FORCELLA FORK TUBE CAP | PFROPFEN F. GABELSCHENKEL BOUCHON | 1 | |



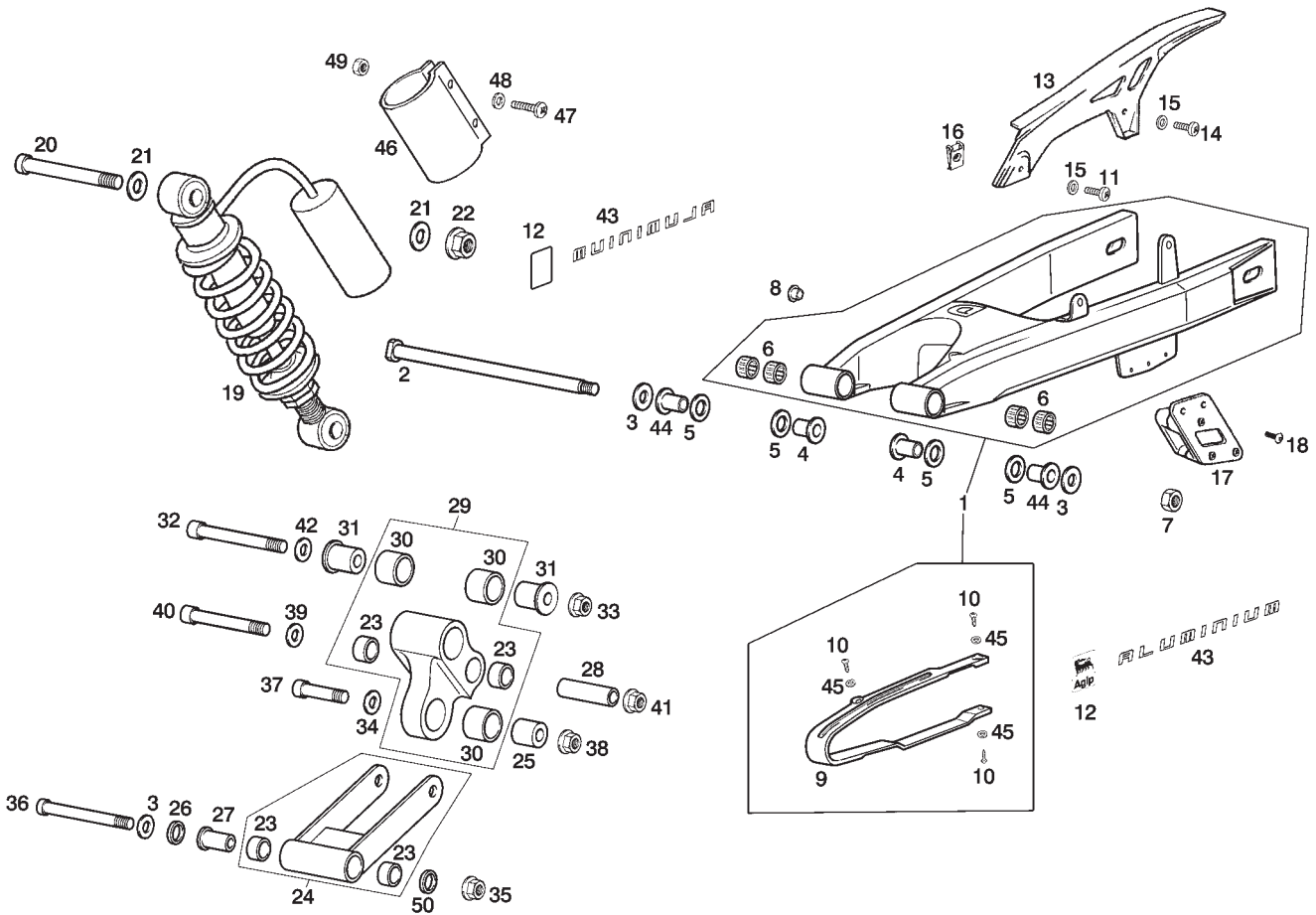
| Fig. | Ver. | COD. KOD. | DESCRIPCIÓN DENOMINAZIONE NAME | BEZEICHNUNG DESIGNATION | MOD. | NOTAS NOTES NOTA MITSCHRIFT NOTES |
|------|------|-------------|---|---|------|-----------------------------------|
| 12A | | 865472 | CTO TUBO PRINCIPAL C/PUNTERA IZQ GAMBA FORCELLA SI. LH. FORK TUBE LOWER | PFROPFEN F. GABELSCHENKEL LI. BOUCHON GAUCHE | 1 | |
| 13A | | 865473 | BRIDA FIJACION MANILLAR FLANGIA CLAMP | BEF.-SCHELLE ENTRETOISE | 1 | |
| 14A | | 865474 | CTO HIDRAULICO C/PUNTERA DR GAMBA FORCELLA DE. RH. FORK TUBE LOWER | PFROPFEN F. GABELSCHENKEL RE. BOUCHON DROITE | 1 | |
| 15A | | 865475 | CALCA PAIOLI ADESIVI DECAL | AUFKLEBER ADHESIF | 1 | |
| 16A | | 863159 | ARANDELA COBRE RONDELLA WASHER | SCHEIBE RONDELLE | 1 | |
| 17A | | 865476 | TORNILLO M10X40 VITE SCREW | SCHRAUBE VIS | 1 | |
| 18A | | 863143 | TORNILLO M8X40 VITE SCREW | SCHRAUBE VIS | 1 | |
| 19A | | 00H00201111 | TUERCA FIJACION TIJA DADO NUT | MUTTER ECROU | 1 | |
| 20A | | 00H00202101 | ARANDELA FIJ.TIJA RONDELLA WASHER | SCHEIBE RONDELLE | 1 | |
| 21A | | 86484300W0N | CTO HORQUILLA FORCELLA DIRETTRICE FORK ASSY | LENKGABEL ENSEMBLE FOURCHE DIRITICE | 1 | |



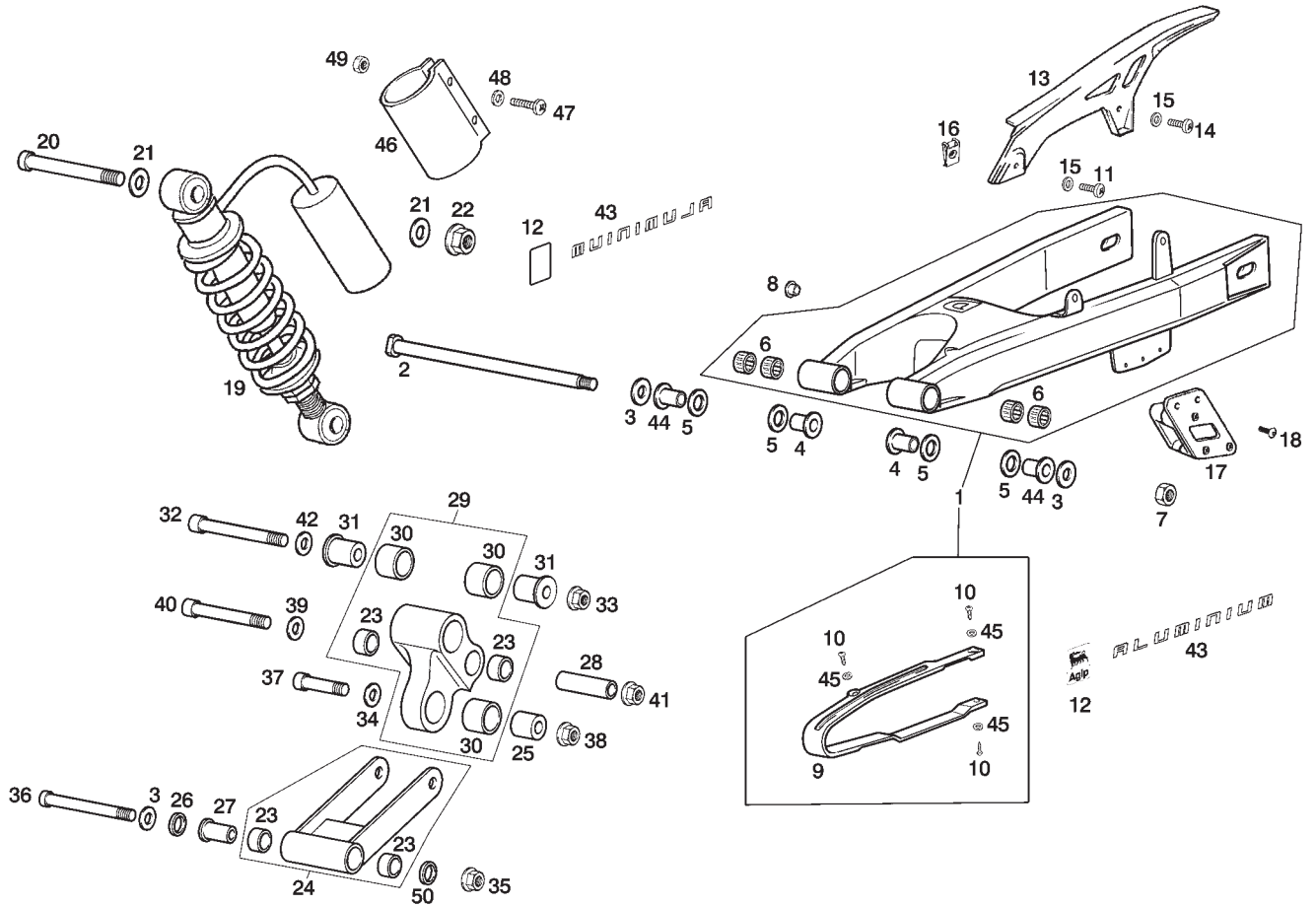
| Fig. | Ver. | COD. KOD. | DESCRIPCIÓN DENOMINAZIONE NAME | BEZEICHUNG DESIGNATION | MOD. | NOTAS NOTES NOTA MITSCHRIFT NOTES |
|------|------|-------------|---|---|------|-----------------------------------|
| 01A | | 86557100WGB | CTO BASCULANTE C/CASQUILLOS RIBALTABILE SWING ARM SUB-ASSY | SCHWINGENACHSE BRAS OSCILLANT | 1 | |
| 02A | | 00H01304202 | CTO EJE BASCULANTE ASSE RIBALTABILE SWING ARM SUB-ASSEMBLY | HINTERRADACHSE AXE DE BRAS OSCILLANT | 1 | |
| 03A | | 00003112322 | ARANDELA EJE RUEDA. RONDELLA WASHER | SCHEIBE RONDELLE | 1 | |
| 04A | | 865540 | CASQUILLO SEPARADOR INTERIOR GHIERA ASSE RIBALTABILE SWING ARM BUSHING | BUCHSE ENTRETOISE AXE BRAS OSCIL | 1 | |
| 05A | | 00H01500601 | ARANDELA ROZAMIENTO BASCULANTE RONDELLA WASHER | SCHEIBE RONDELLE | 1 | |
| 06A | | 00H00301811 | CASQUILLO AGUJAS GHIERA RULLINI ASSI NEEDLE BEARING | NADELLAGER CAGE A AIGUILLES | 1 | |
| 07A | | 00262120032 | TUERCA 12M150 DADO NUT | MUTTER ECROU | 1 | |
| 08A | | 00H01801751 | TAPON TALADRO BASCULANTE TAPPO CAP | KAPPE BOUCHON | 1 | |
| 09A | | 00H01808331 | PLACA ROZAMIENTO CADENA PIASTRA ATTRITO CATENA CHAIN FORCHIN PLATE/FLARGE | KETTEN-REIBPLATTE PLAQUE GLISSEMENT CHAINE | 1 | |
| 10A | | 00011141300 | TORNILLO AUTORROS.C/CRUZ.4,8X13 VITE SCREW | SCHRAUBE VIS | 1 | |
| 11A | | 00012061200 | TORNILLO C/CRUZ 6M100X12 VITE SCREW | SCHRAUBE VIS | 1 | |



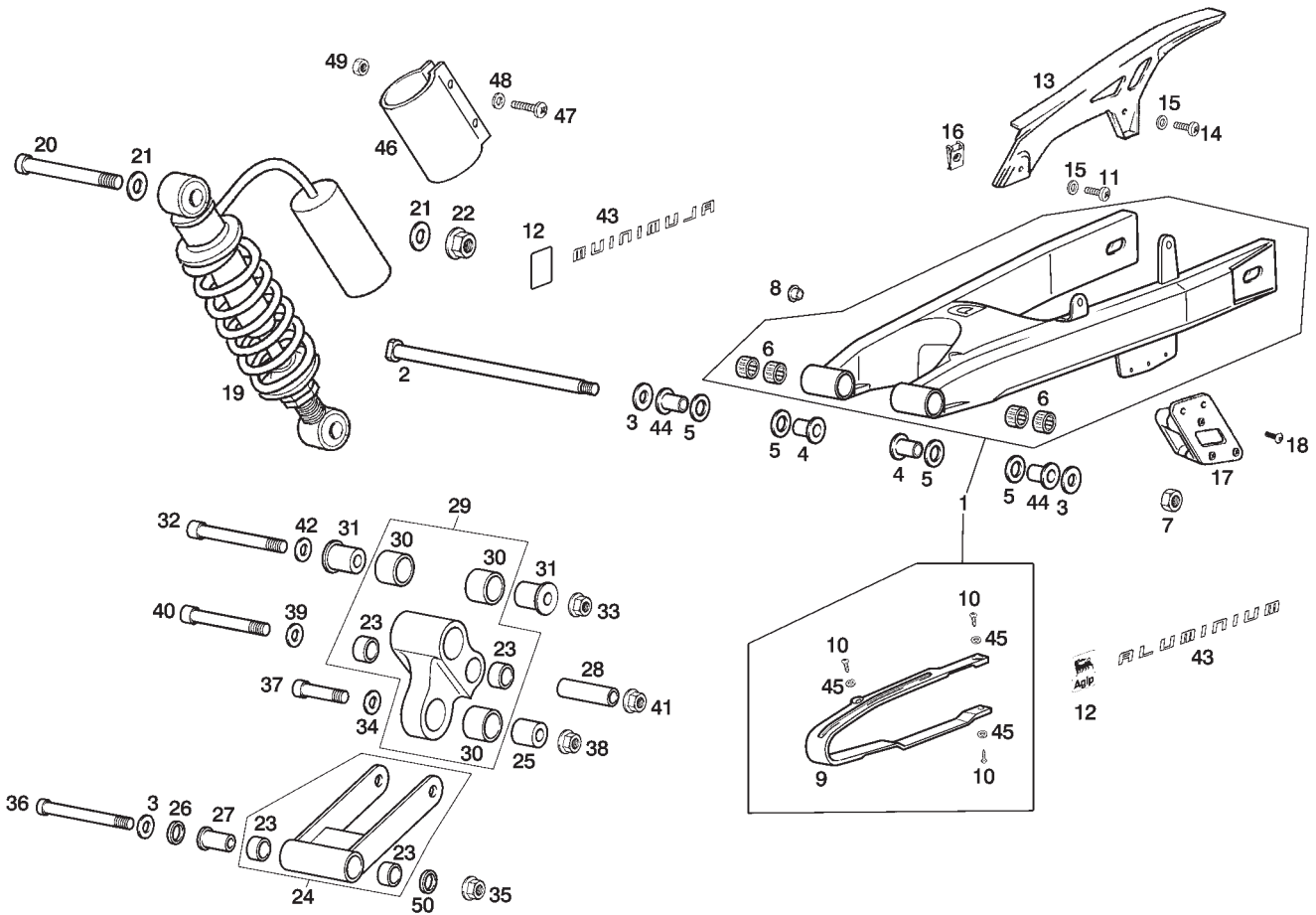
| Fig. | Ver. | COD. KOD. | DESCRIPCIÓN DENOMINAZIONE NAME | BEZEICHUNG DESIGNATION | MOD. | NOTAS NOTES NOTA MITSCHRIFT NOTES |
|------|------|-------------|---|----------------------------|------|-----------------------------------|
| 12A | | 862535 | CALCA AGIP ADESIVI DECALS | AUFKLEBER ADHESIF | 1 | |
| 13A | | 00H01508181 | CUBRECADENAS COPRICATENA CHAIN COVER | KETTENSCHUTZ COUVRE CHAINE | 1 | |
| 14A | | 00012061200 | TORNILLO C/CRUZ 6M100X12 VITE SCREW | SCHRAUBE VIS | 1 | |
| 15A | | 00D01200171 | ARANDELA RONDELLA WASHER | SCHEIBE RONDELLE | 1 | |
| 16A | | 00D01501371 | TUERCA FIJACION D6 DADO NUT | MUTTER ECROU | 1 | |
| 17A | | 86133R | CTO. GUIA CADENA GUIDA CATENA CHAIN GUIDE | GLEITBAHN GUIDE CHAINE | 1 | |
| 18A | | 00092061214 | TORNILLO 6M100X12 VITE SCREW | SCHRAUBE VIS | 1 | |
| 19A | | 8655420001 | CTO. AMORTIGUADOR AMMORTIZZATORE SHOCK ABSORBER | FEDERBEIN AMORTISSEUR | 1 | |
| 20A | | 00H00303892 | TORNILLO FIJACION VITE SCREW | SCHRAUBE VIS | 1 | |
| 21A | | 00003115422 | ARANDELA FIJ. AMORTIGUADOR RONDELLA WASHER | SCHEIBE RONDELLE | 1 | |
| 22A | | 00023112000 | TUERCA AUTOBLOCANTE 12M175 DADO NUT | MUTTER ECROU | 1 | |



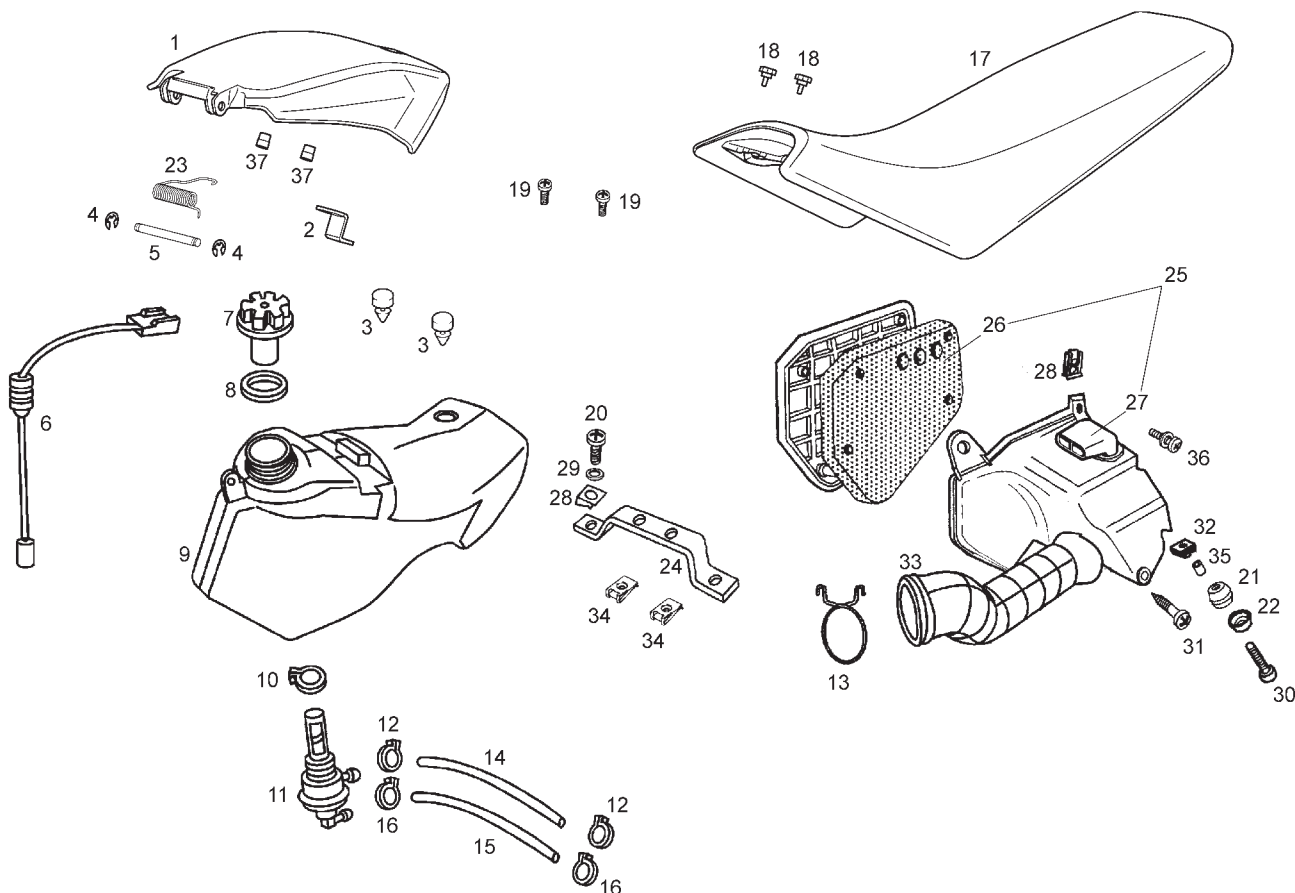
| Fig. | Ver. | COD. KOD. | DESCRIPCIÓN DENOMINAZIONE NAME | BEZEICHUNG DESIGNATION | MOD. | NOTAS NOTES NOTA MITSCHRIFT NOTES |
|------|------|-------------|---|-----------------------------|------|-----------------------------------|
| 23A | | 00H00301811 | CASQUILLO AGUJAS GHIERA RULLINI ASSI NEEDLE BEARING | NADELLAGER CAGE A AIGUILLES | 1 | |
| 24A | | 865608 | CTO BIELA INFERIOR CHASIS C/CASQUI. BIELLA CONNECTING ROD | PLEUEL BIELLE | 1 | |
| 25A | | 00H00302861 | CASQUILLO SEP. BIELA -AMORTIG. GHIERA SPACER | DISTANZHULSE ENTRETOISE | 1 | |
| 26A | | 00H01501601 | ARANDELA ROZAMIENTO BIELA RONDELLA WASHER | SCHEIBE RONDELLE | 1 | |
| 27A | | 865541 | CASQUILLO SEPARADOR BIELA CHASIS GHIERA SPACER | DISTANZHULSE ENTRETOISE | 1 | |
| 28A | | 00H06801481 | CASQUILLO SEP. BIELETA-BIELETA GHIERA SPACER | DISTANZHULSE ENTRETOISE | 1 | |
| 29A | | 00H00300921 | CTO BIELA ARTICU. AMORTI. C/CASQUI. BIELLA CONNECTING ROD | PLEUEL BIELLE | 1 | |
| 30A | | 00H00303701 | CASQUILLO AGUJAS GHIERA RULLINI ASSI NEEDLE BEARING | NADELLAGER CAGE A AIGUILLES | 1 | |
| 31A | | 00H06802481 | CASQUILLO SEP. BIELETA-BASCULANTE GHIERA SPACER | DISTANZHULSE ENTRETOISE | 1 | |
| 32A | | 00H06801471 | TORNILLO FIJ. BIELA-BASCULANTE VITE SCREW | SCHRAUBE VIS | 1 | |
| 33A | | 00281121753 | TUERCA EXAGONAL C/BRIDA 12M175 DADO NUT | MUTTER ECROU | 1 | |



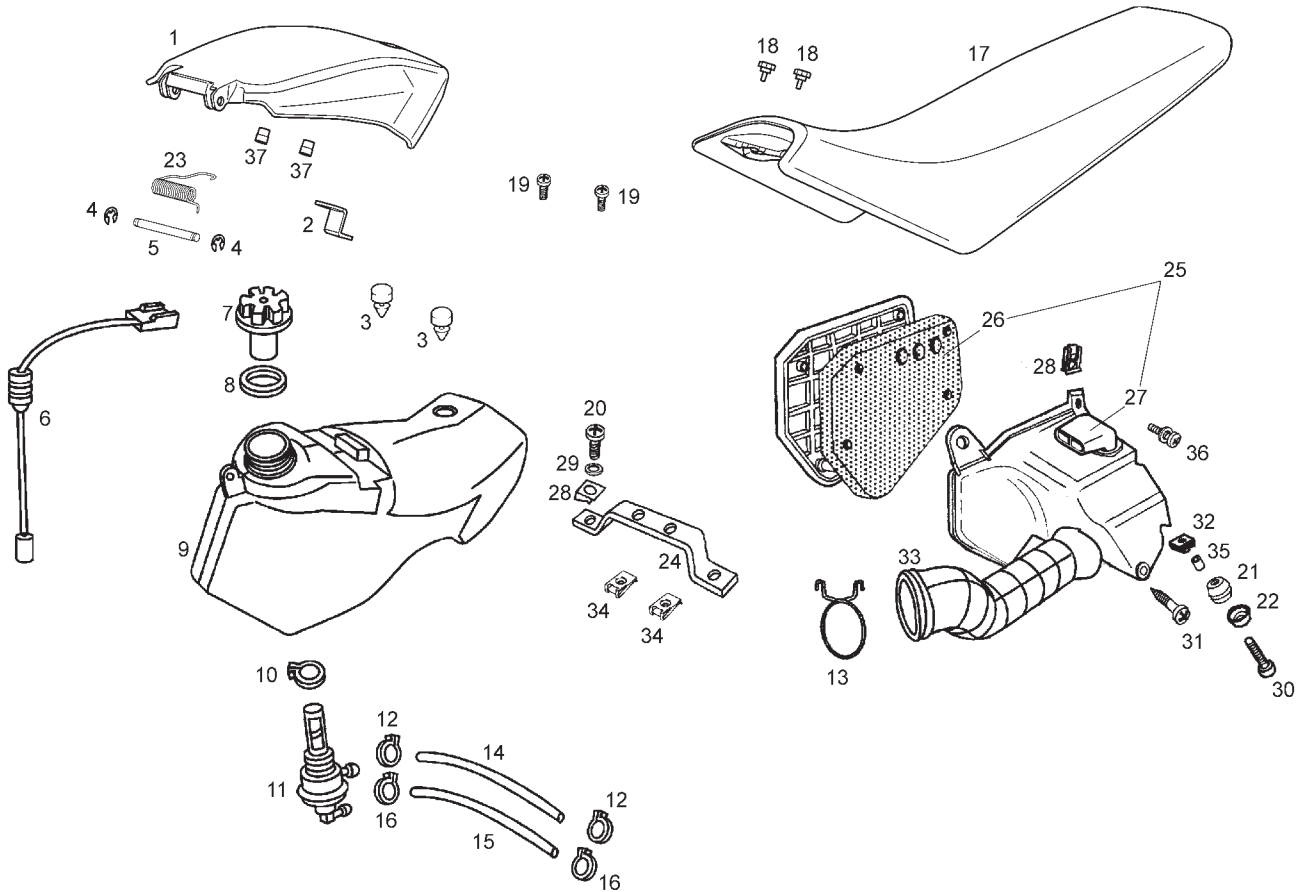
| Fig. | Ver. | COD. KOD. | DESCRIPCIÓN DENOMINAZIONE NAME | BEZEICHUNG DESIGNATION | MOD. | NOTAS NOTES NOTA MITSCHRIFT NOTES |
|------|------|-------------|---|------------------------|------|-----------------------------------|
| 34A | | 00H01500421 | ARANDELA FIJ.INF.AMORTIGUADOR RONDELLA WASHER | SCHEIBE RONDELLE | 1 | |
| 35A | | 00281121753 | TUERCA EXAGONAL C/BRIDA 12M175 DADO NUT | MUTTER ECROU | 1 | |
| 36A | | 00H00304891 | TORNILLO 12M175X130 VITE SCREW | SCHRAUBE VIS | 1 | |
| 37A | | 00H00305891 | TORNILLO FIJ. BIELA-AMORTIGUADOR VITE SCREW | SCHRAUBE VIS | 1 | |
| 38A | | 00281121753 | TUERCA EXAGONAL C/BRIDA 12M175 DADO NUT | MUTTER ECROU | 1 | |
| 39A | | 00H01500421 | ARANDELA FIJ.INF.AMORTIGUADOR RONDELLA WASHER | SCHEIBE RONDELLE | 1 | |
| 40A | | 00H00300931 | TORNILLO FIJACION .BIELA-BIELA VITE SCREW | SCHRAUBE VIS | 1 | |
| 41A | | 00281121753 | TUERCA EXAGONAL C/BRIDA 12M175 DADO NUT | MUTTER ECROU | 1 | |
| 42A | | 00H01500421 | ARANDELA FIJ.INF.AMORTIGUADOR RONDELLA WASHER | SCHEIBE RONDELLE | 1 | |
| 43A | | 00H00311331 | CALCA ALUMINIUM ADESIVI DECALS | AUFKLEBER ADHESIF | 1 | |
| 44A | | 865558 | CASQUILLO SEPARADOR EXTERIOR GHIERA BUSHING | BUCHSE ENTRETOISE | 1 | |



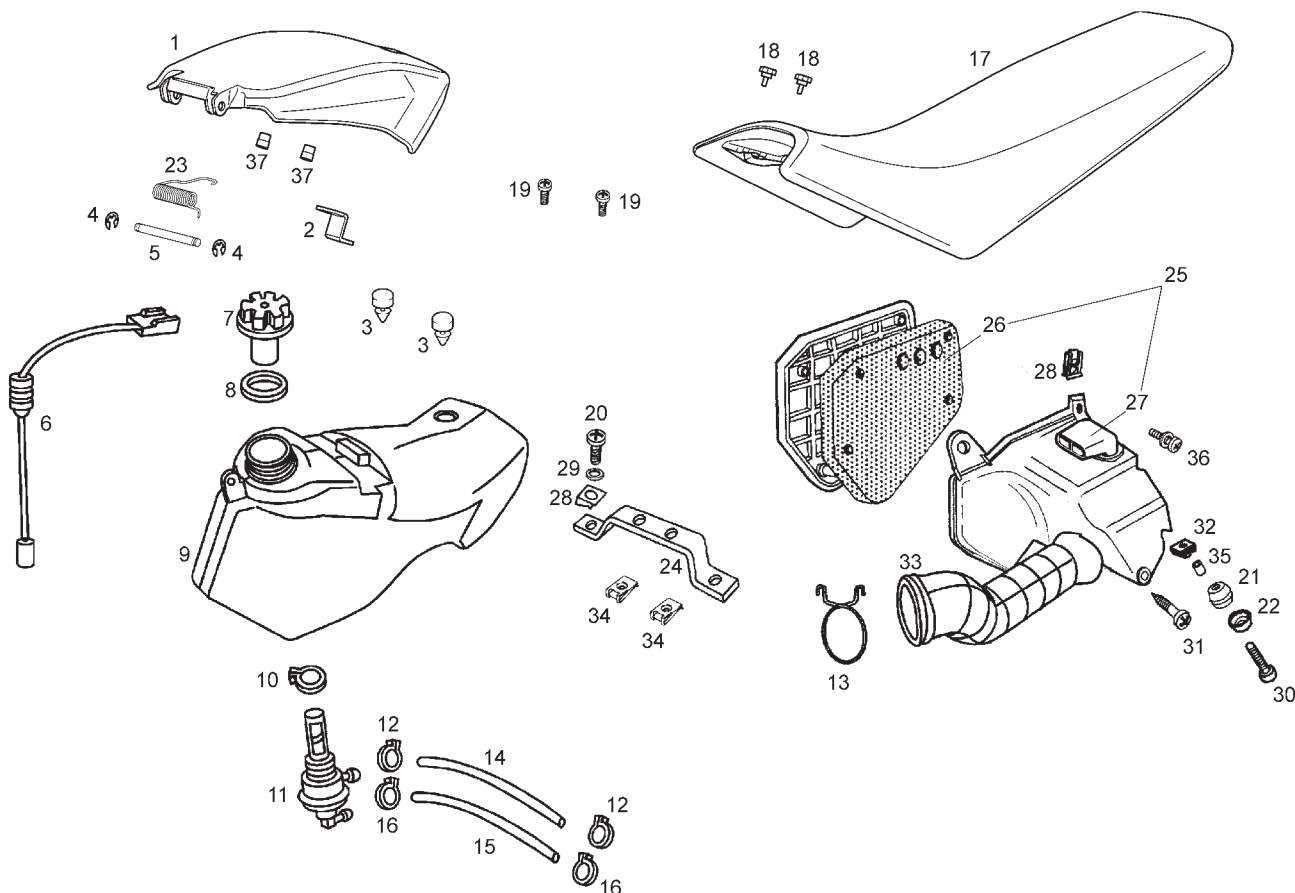
| Fig. | Ver. | COD. KOD. | DESCRIPCIÓN DENOMINAZIONE NAME | BEZEICHNUNG DESIGNATION | MOD. | NOTAS NOTES NOTA MITSCHRIFT NOTES |
|------|------|-------------|--|----------------------------|------|-----------------------------------|
| 45A | | 00000031050 | ARANDELA PLANA D5 RONDELLA WASHER | SCHEIBE RONDELLE | 1 | |
| 46A | | 00H02201521 | BRIDA FIJ. DEPSTO. AMORT. BRIGLIA BRIDLE | ZÜGEL BRIDE | 1 | |
| 47A | | 00000004630 | TORNILLO C/ALL.6M100X30 VITE SCREW | SCHRAUBE VIS | 1 | |
| 48A | | 00000031070 | ARANDELA PLANA D.7 RONDELLA WASHER | SCHEIBE RONDELLE | 1 | |
| 49A | | 00000021060 | TUERCA EXAG. 6M100 DADO NUT | MUTTER ECROU | 1 | |
| 50A | | 00001213190 | CASQUILLO EJE GHIERA SPACER | DISTANZHULSE ENTRETOISE | 1 | |



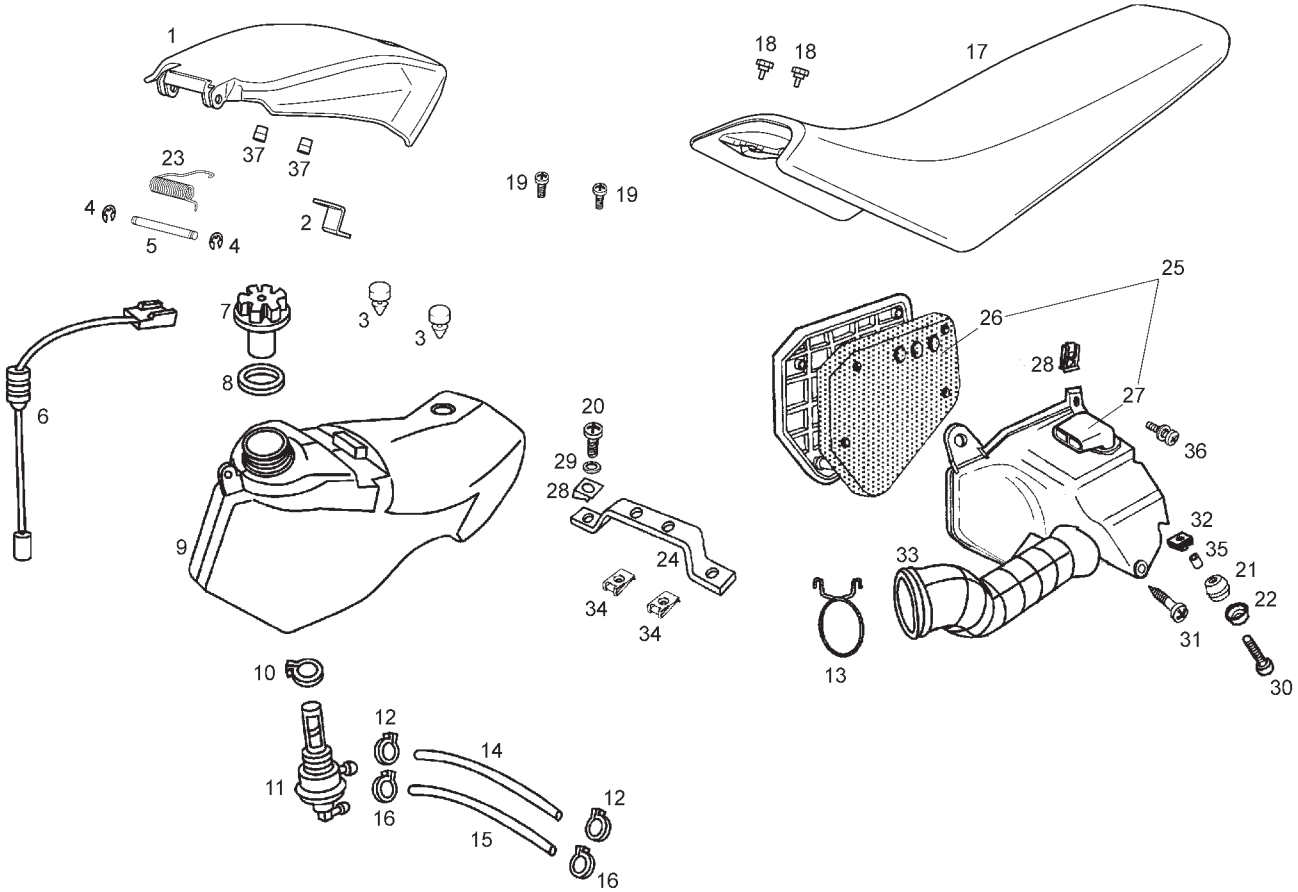
| Fig. | Ver. | COD. KOD. | DESCRIPCIÓN DENOMINAZIONE NAME | BEZEICHUNG DESIGNATION | MOD. | NOTAS NOTES NOTA MITSCHRIFT NOTES |
|------|------|-------------|---|--|------|-----------------------------------|
| 01A | | 864857 | TAPA SUPERIOR DEPOSITO COPERCHIO COVER | DECKEL COUVERCLE | 1 | |
| 02A | | 864819 | PALANCA CIERRE TAPA DEPOSITO LEVA LEVER | SCHLOSS-VERSCHLUSSHEBEL LEVIER | 1 | |
| 03A | | 00G01401321 | TOPE GOMA GOMMA RUBBER | GUMMISTOPPEL CAOUTCHOUC | 1 | |
| 04A | | 00047030400 | ANILLO SEGURIDAD EJES D4 ANELLO SICUREZZA CIRCLIP | SICHERHEITSRING ANNEAU SECURITE | 1 | |
| 05A | | 00H06303752 | EJE ARTICULACION TAPA DEPOSITO ASSE ARTIC. COPERCHIO SUP.SERB. AXLE | STIFT AXE | 1 | |
| 06A | | 00H04302181 | CTO. NIVEL GASOLINA LIVELLO BENZINA SEND GAS LEVEL SENSOR ASSY. | KRAFTSTOFFSTAND ENSEMBLE FLOTTEUR ESSENCE | 1 | |
| 07A | | 00F00400131 | CTO. TAPON DEPTO. GASOLINA TAPPO SERBATOIO BENZINA FUEL TANK CAP | FUEL TANK CAP ENS.BOUCHON RESERV.ESSENCE V.B | 1 | |
| 08A | | 00F00400771 | ARANDELA TAPON DEPOSITO RONDELLA WASHER | SCHEIBE RONDELLE | 1 | |
| 09A | | 00H00406011 | DEPOSITO GASOLINA SERBATOIO BENZINA FUEL TANK | BENZINTANK RESERVOIR ESSENCE | 1 | |
| 10A | | 00G00400501 | ABRAZADERA FASCETTA CLAMP | FLANGE BRIDE | 1 | |
| 11A | | 00G00400181 | CTO. GRIFO GASOLINA RUBINETTO BENZINA FUEL COCK ASSY | KRAFTSTOFFHAHN UNTERDRUCK ENSEMBLE ROBINET ESSENCE | 1 | |



| Fig. | Ver. | COD. KOD. | DESCRIPCIÓN DENOMINAZIONE NAME | BEZEICHUNG DESIGNATION | MOD. | NOTAS NOTES NOTA MITSCHRIFT NOTES |
|------|------|-------------|---|------------------------|------|-----------------------------------|
| 12A | | 00D03700131 | ABRAZADERA ELASTICA FASCETTA CLAMP | FLANGE BRIDE | 1 | |
| 13A | | 00G03204272 | MUELLE TUBO ADMISION MOLLA SPRING | FEDER RESSORT | 1 | |
| 14A | | 00F00403321 | TUBO GASOLINA TUBO TUBE | ROHR TUYAU | 1 | |
| 15A | | 00H06201061 | TUBO DEPRESION TUBO TUBE | ROHR TUYAU | 1 | |
| 16A | | 00F03710131 | ABRAZADERA ELASTICA FASCETTA CLAMP | FLANGE BRIDE | 1 | |
| 17A | | 8646360003 | CTO SILLIN COMP.SELLINO SEAT | SITZBANK SELLE | 1 | |
| 18A | | 861417 | TORNILLO FIJACION SILLIN VITE SCREW | SCHRAUBE VIS | 1 | |
| 19A | | 00011051401 | TORNILLO AUTOROSCANTE.5,1X14 VITE SCREW | SCHRAUBE VIS | 1 | |
| 20A | | 00012061200 | TORNILLO C/CRUZ 6M100X12 VITE SCREW | SCHRAUBE VIS | 1 | |
| 21A | | 00008915020 | PROTECCION CABLES PROTEZIONE CAVI RUBBER, CABLE PROTECTOR | GUMMI PASSE-CABLE | 1 | |
| 22A | | 00D01500552 | CAZOLETA SCADELLINO FISSAGGIO HOUSING | ABDECKSCHEIBE CUVETTE | 1 | |

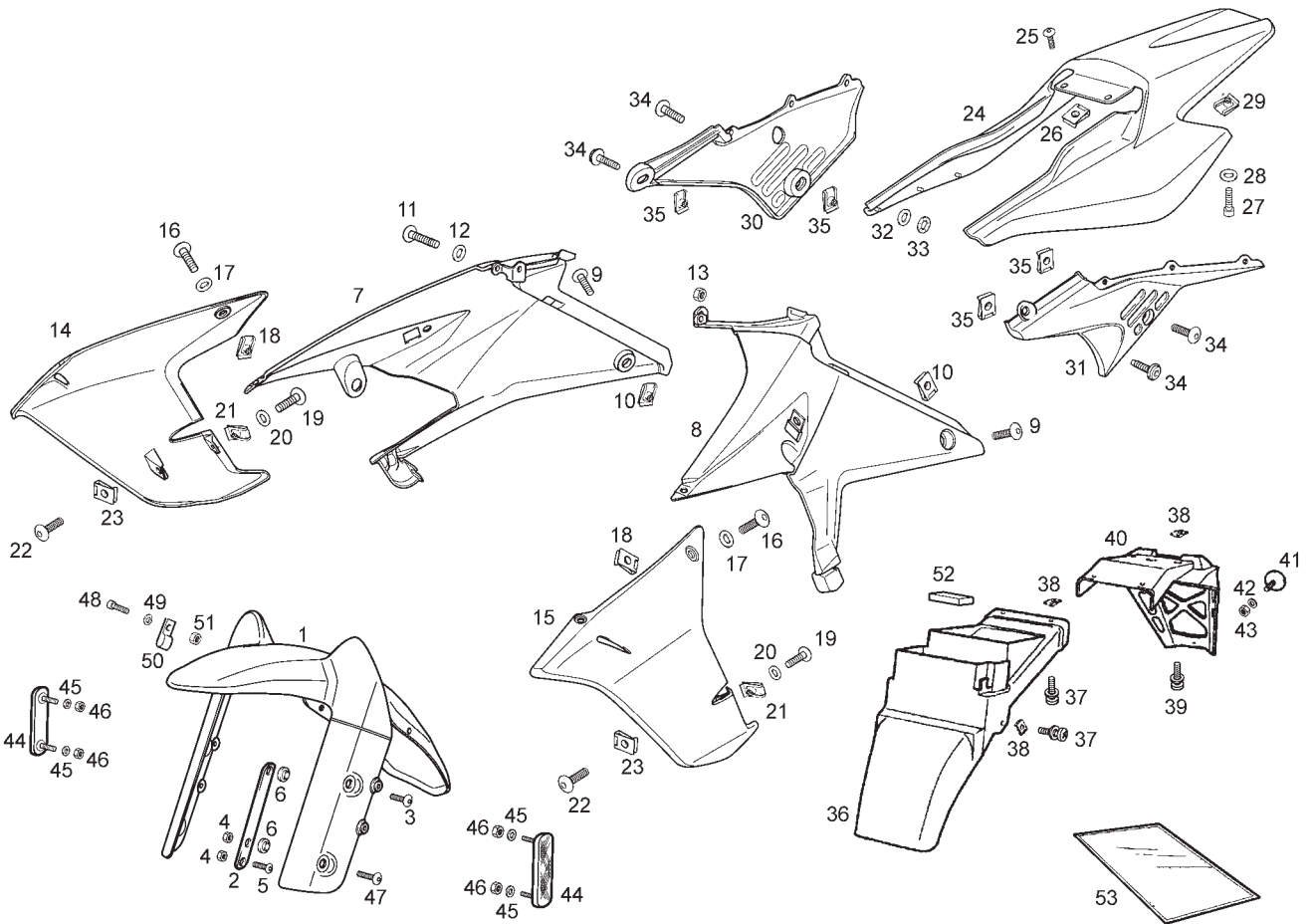


| Fig. | Ver. | COD. KOD. | DESCRIPCIÓN DENOMINAZIONE NAME | BEZEICHUNG DESIGNATION | MOD. | NOTAS NOTES NOTA MITSCHRIFT NOTES |
|------|------|-------------|--|---|------|-----------------------------------|
| 23A | | 00H06303762 | MUELLE ARTIC.TAPA DEPOSITO MOLLA SPRING | FEDER RESSORT | 1 | |
| 24A | | 00H00404051 | PUENTE FIJACION DEPOSITO SUPPORTO INF. SERBATOIO LOWER FUEL TANK BRACKET | LOWER FUEL TANK BRACKET GPRÈRE SUPPORT INFÉRIEUR RËSERVOIR ES | 1 | |
| 25A | | 00H01809541 | CTO CAJA FILTRO CASSA FILTRO AIR FILTER BOX | FILTERKASTEN ENSEMBLE BOITE FILTRE | 1 | |
| 26A | | 00H03209251 | ESPUMA FILTRO AIRE ESPANZO FILTRO ARIA AIR FILTER MESH | LUFTFILTERSCHAUM FILTRE AIR | 1 | |
| 27A | | 00H03208491 | TUBO ASPIRACION CAJA FILTRO TUBO TUYAU TUBE | ROHR TUYAU | 1 | |
| 28A | | 00D01501371 | TUERCA FIJACION D6 DADO NUT | MUTTER ECROU | 1 | |
| 29A | | 00D01200171 | ARANDELA RONDELLA WASHER | SCHEIBE RONDELLE | 1 | |
| 30A | | 00012161600 | TORNILLO 6M100X16 VITE SCREW | SCHRAUBE VIS | 1 | |
| 31A | | 00073481964 | TORNILLO C/CRUZ 4,8X19 VITE SCREW | SCHRAUBE VIS | 1 | |
| 32A | | 00D01501371 | TUERCA FIJACION D6 DADO NUT | MUTTER ECROU | 1 | |
| 33A | | 00H03207261 | TUBO ADMISION TUBO TUYAU TUBE | ROHR TUYAU | 1 | |

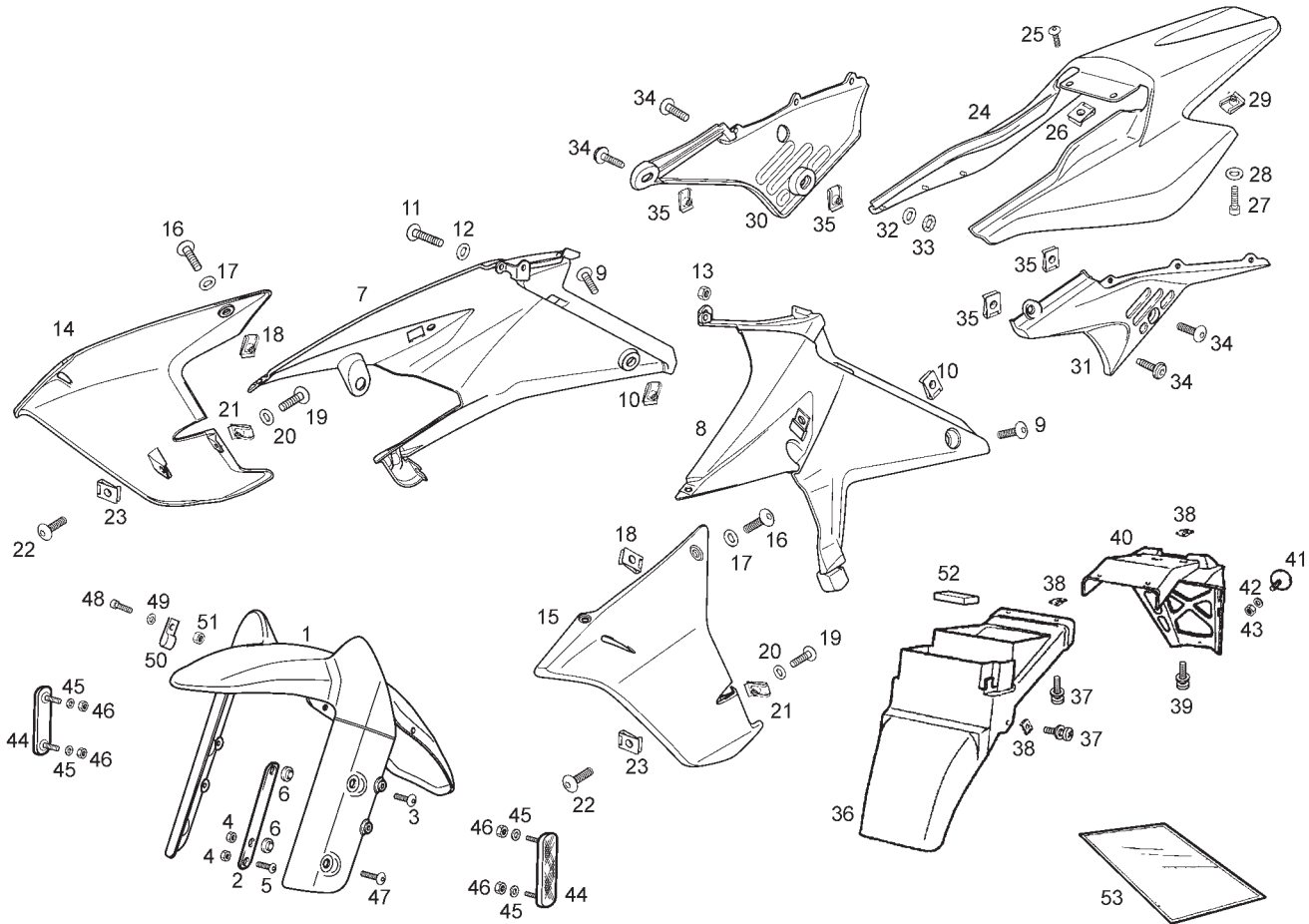


| Fig. | Ver. | COD. KOD. | DESCRIPCIÓN DENOMINAZIONE NAME | BEZEICHNUNG DESIGNATION | MOD. | NOTAS NOTES NOTA MITSCHRIFT NOTES |
|------|------|-------------|---------------------------------------|-------------------------|------|-----------------------------------|
| 34A | | 00H01500691 | TUERCA DADO NUT | MUTTER ECROU | 1 | |
| 35A | | 00D01500471 | CASQUILLO BRONZINA BUSHING | BUCHSE ENTRETOISE | 1 | |
| 36A | | 00H05900021 | SCTO.TORNILLO 6M100X16 VITE SCREW | SCHRAUBE VIS | 1 | |
| 37A | | 865453 | GOMA APOYO TAPA DEPOSITO GOMMA RUBBER | GUMMISTOPPEL CAOUTCHOUC | 1 | |

**PIEZAS SIN CALCAS
PARTS WITHOUT DECALS**



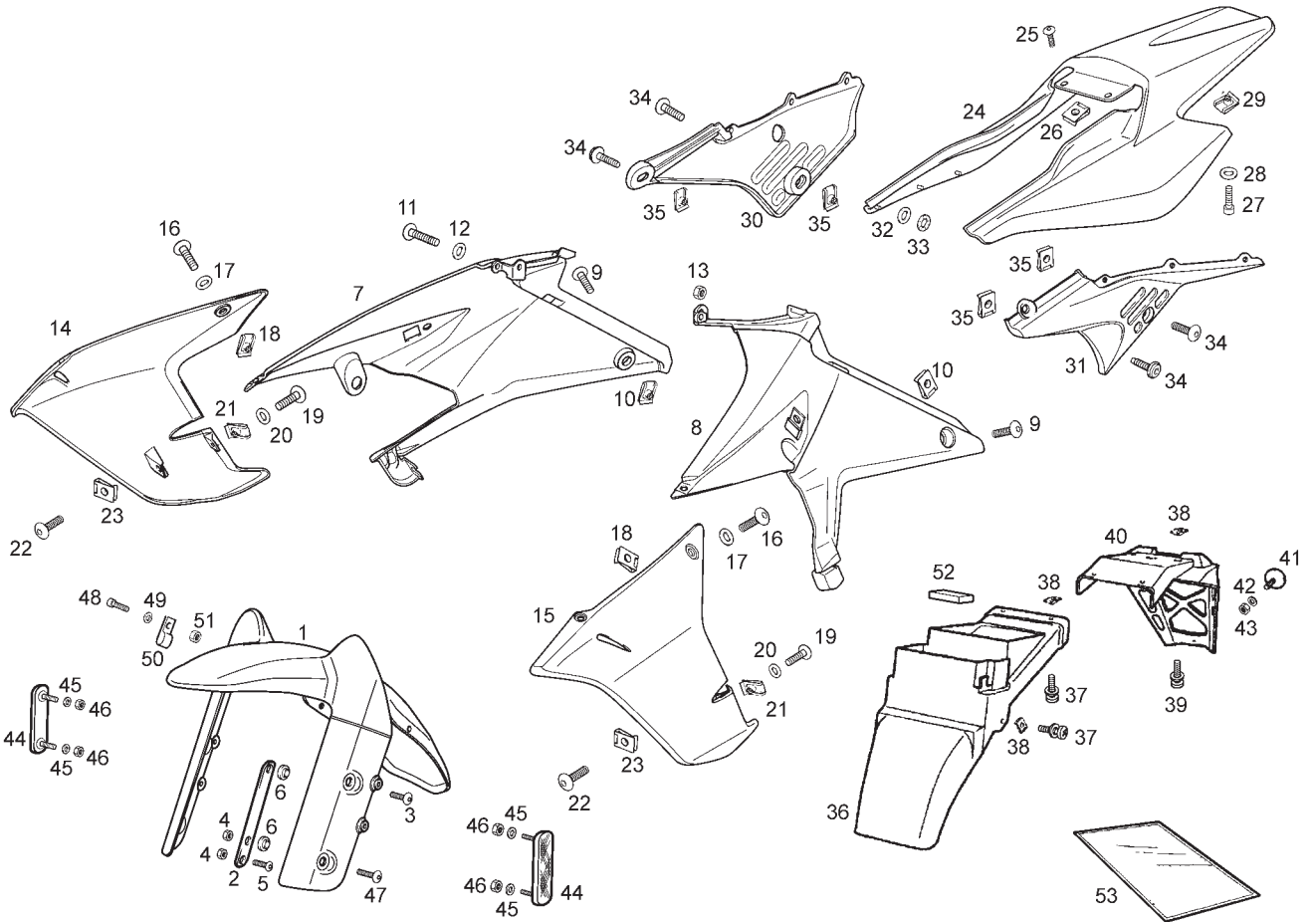
| Fig. | Ver. | COD. KOD. | DESCRIPCIÓN DENOMINAZIONE NAME | BEZEICHNUNG DESIGNATION | MOD. | NOTAS NOTES NOTA MITSCHRIFT NOTES |
|------|------|-------------|--|---|------|-----------------------------------|
| 01A | | 864854 | GUARDABARROS DELANTERO PARAFANGO ANTERIORE FRONT MUDGUARD ASSY | KOTFLUGEL VORN GARDE-BOUE AVANT RGE | 1 | |
| 02A | | 00H00702051 | SOPORTE GUARDABARROS DELANTERO SUPPORTO PARAFANGO ANTERIORE FRONT MUDGUARD SUPPORT | VORDERES SCHMUTZBLECH STUTZ APPUI GARDE-BOUE AVANT | 1 | |
| 03A | | 861178 | TORNILLO C/ABOMBADA 6M100X16 VITE SCREW | SCHRAUBE VIS | 1 | |
| 04A | | 00000023060 | TUERCA AUTOBLOC 6M100 DADO NUT | MUTTER ECROU | 1 | |
| 05A | | 00008062000 | TORNILLO C/RED ALLEN 6M100X20 VITE SCREW | SCHRAUBE VIS | 1 | |
| 06A | | 865399 | CASQUILLO SEP.GUARDABARROS BRONZINA BUSHING | BUCHSE ENTRETOISE | 1 | |
| 07A | | 864858 | TAPA DEPOSITO DERECHA COPERCHIO COVER | DECKEL COUVERCLE | 1 | |
| 08A | | 864859 | TAPA DEPOSITO IZQUIERDA COPERCHIO COVER | DECKEL COUVERCLE | 1 | |
| 09A | | AP8152339 | TORNILLO M5X9 INOX VITE SCREW | SCHRAUBE VIS | 1 | |
| 10A | | 00H01500691 | TUERCA FIJACION D5 DADO NUT | MUTTER ECROU | 1 | |
| 11A | | 00002052051 | TORNILLO 5M80X20 VITE SCREW | SCHRAUBE VIS | 1 | |



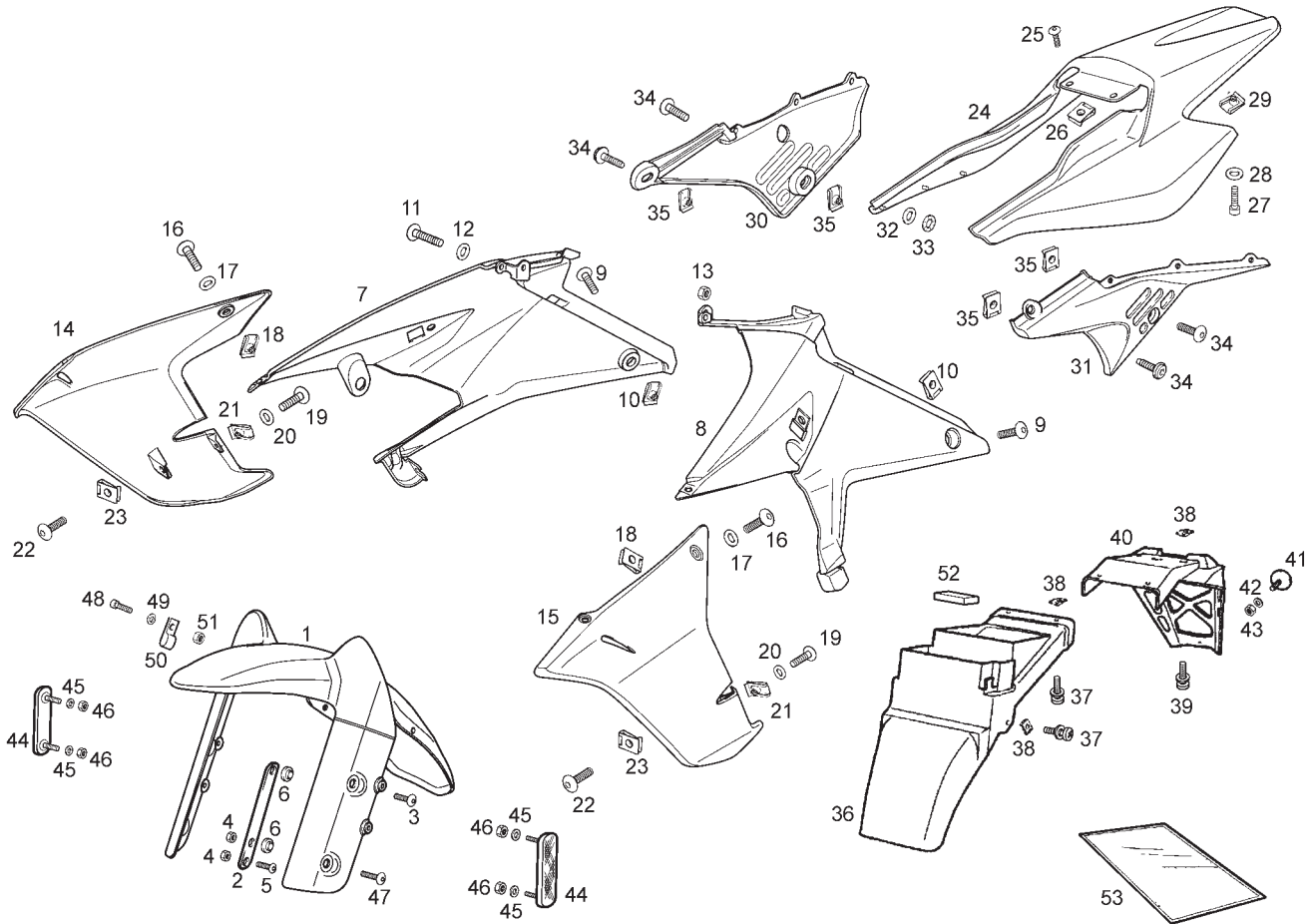
**PIEZAS SIN CALCAS
PARTS WITHOUT DECALS**

| Fig. | Ver. | COD. KOD. | DESCRIPCIÓN DENOMINAZIONE NAME | BEZEICHNUNG DESIGNATION | MOD. | NOTAS NOTES NOTA MITSCHRIFT NOTES |
|------|------|-------------|---|-------------------------|------|-----------------------------------|
| 12A | | 00031105000 | ARANDELA PLANA D5 RONDELLA WASHER | SCHEIBE RONDELLE | 1 | |
| 13A | | 00000023051 | TUERCA AUTOBLOCANTE DADO NUT | MUTTER ECROU | 1 | |
| 14A | | 86486000WN4 | TAPA ANTERIOR DELANTERA DERECHA COPERCHIO COVER | DECKEL COUVERCLE | 1 | |
| 15A | | 86486100WN4 | TAPA ANTERIOR DELANTERA IZQUIERDA COPERCHIO COVER | DECKEL COUVERCLE | 1 | |
| 16A | | 864252 | TORNILLO C/RED ALLEN 5MX12 INOX VITE SCREW | SCHRAUBE VIS | 1 | |
| 17A | | 865396 | ARANDELA RONDELLA WASHER | SCHEIBE RONDELLE | 1 | |
| 18A | | 00G04401462 | TUERCA FIJACION D5 DADO NUT | MUTTER ECROU | 1 | |
| 19A | | 864252 | TORNILLO C/RED ALLEN 5MX12 VITE SCREW | SCHRAUBE VIS | 1 | |
| 20A | | 865396 | ARANDELA RONDELLA WASHER | SCHEIBE RONDELLE | 1 | |
| 21A | | 00G04401462 | TUERCA FIJACION D5 DADO NUT | MUTTER ECROU | 1 | |
| 22A | | AP8152339 | TORNILLO M5X9 INOX VITE SCREW | SCHRAUBE VIS | 1 | |

**PIEZAS SIN CALCAS
PARTS WITHOUT DECALS**



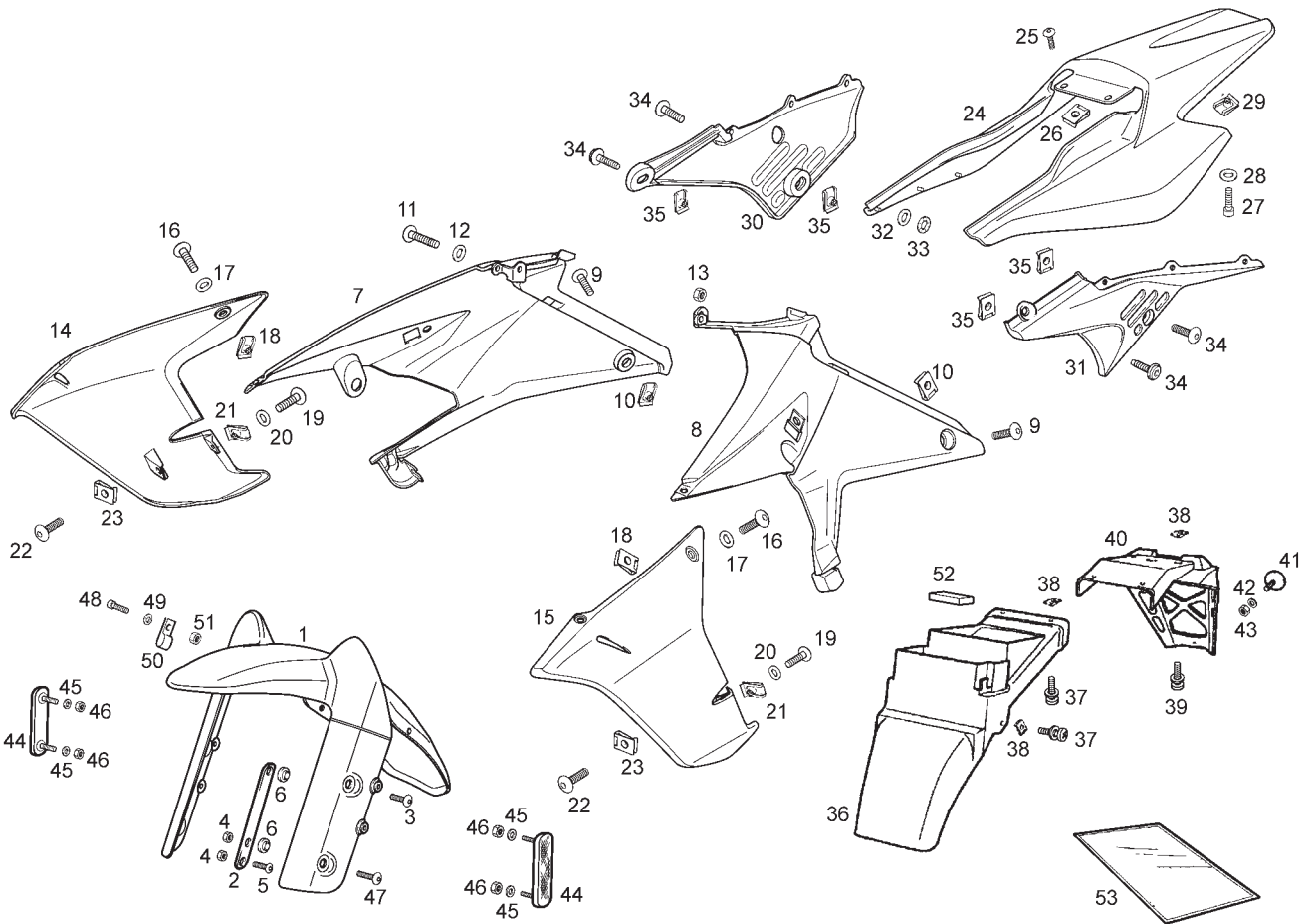
| Fig. | Ver. | COD. KOD. | DESCRIPCIÓN DENOMINAZIONE NAME | BEZEICHUNG DESIGNATION | MOD. | NOTAS NOTES NOTA MITSCHRIFT NOTES |
|------|------|-------------|--|------------------------------------|------|-----------------------------------|
| 23A | | 00H01500691 | TUERCA FIJACION D5 DADO NUT | MUTTER ECROU | 1 | |
| 24A | | 86486400WN4 | COLIN SILLIN COLIN SELLINO SEAT BASE | KOTFLUGEL HINTEN DOSSERET SELLE | 1 | |
| 25A | | 00D05900141 | TORNILLO 6M100X15 VITE SCREW | SCHRAUBE VIS | 1 | |
| 26A | | 00D01501371 | TUERCA FIJACION D6 DADO NUT | MUTTER ECROU | 1 | |
| 27A | | 00002051551 | TORNILLO 5M80X15 VITE SCREW | SCHRAUBE VIS | 1 | |
| 28A | | 00031105000 | ARANDELA PLANA D5 RONDELLA WASHER | SCHEIBE RONDELLE | 1 | |
| 29A | | 00H01500691 | TUERCA FIJACION D5 DADO NUT | MUTTER ECROU | 1 | |
| 30A | | 864862 | TAPA POSTERIOR DERECHA COPERCHIO COVER | DECKEL COUVERCLE | 1 | |
| 31A | | 864863 | TAPA POSTERIOR IZQUIERDA COPERCHIO COVER | DECKEL COUVERCLE | 1 | |
| 32A | | 00H01500741 | ARANDELA NYLON RONDELLA NYLON WASHER NYLON | SCHEIBE NYLON RONDELLE NYLON | 1 | |
| 33A | | 861239 | ARANDELA RONDELLA WASHER | SCHEIBE RONDELLE | 1 | |



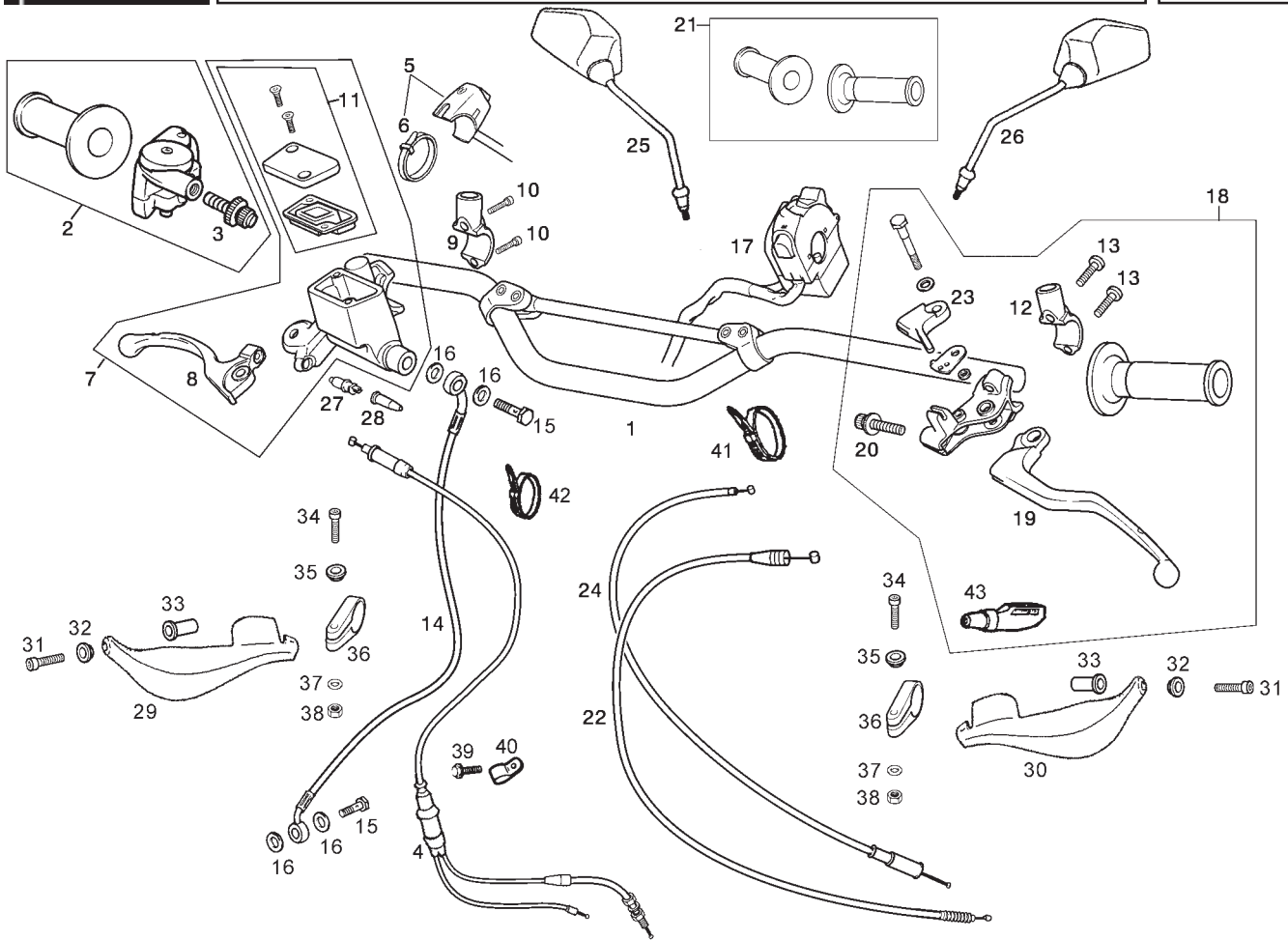
**PIEZAS SIN CALCAS
PARTS WITHOUT DECALS**

| Fig. | Ver. | COD. KOD. | DESCRIPCIÓN DENOMINAZIONE NAME | BEZEICHNUNG DESIGNATION | MOD. | NOTAS NOTES NOTA MITSCHRIFT NOTES |
|------|------|-------------|--|---|------|-----------------------------------|
| 34A | | AP8152339 | TORNILLO M5X9 INOX VITE SCREW | SCHRAUBE VIS | 1 | |
| 35A | | 00H01500691 | TUERCA FIJACION D5 DADO NUT | MUTTER ECROU | 1 | |
| 36A | | 865588B | GUARDABARROS TRASERO PARAFANGO POSTERIORE REAR MUDGUARD | KOTFLUGEL HINTEN GARDE BOUE ARRIERE | 1 | |
| 37A | | 00H05900021 | SCTO.TORNILLO 6M100X16 VITE SCREW | SCHRAUBE VIS | 1 | |
| 38A | | 00D01501371 | TUERCA FIJACION D6 DADO NUT | MUTTER ECROU | 1 | |
| 39A | | 00012061200 | SCTO.TORNILLO 6M100X12 VITE SCREW | SCHRAUBE VIS | 1 | |
| 40A | | 00H00718341 | SUPLEMENTO GUARD. TRASERO SUPPLEMENTO PARAFANGO POST. SUPPLEM. REAR FENDER | ZUBEHOR STAUBFANGER HINTEN SUPL. GARDE BOUE AR. | 1 | |
| 41A | | 00K05110651 | CAPTAFAROS TRASERO ROJO CATARIFRANGENTE REFLECTOR | TRAHLER CATADIOPTRE | 1 | |
| 42A | | 00000031040 | ARANDELA D4 RONDELLA WASHER | SCHEIBE RONDELLE | 1 | |
| 43A | | 00000023040 | TUERCA AUTOBLOCANTE D4 DADO NUT | MUTTER ECROU | 1 | |
| 44A | | 00G04403751 | CAPTAFAROS CATARIFRANGENTE REFLECTOR | TRAHLER CATADIOPTRE | 1 | |

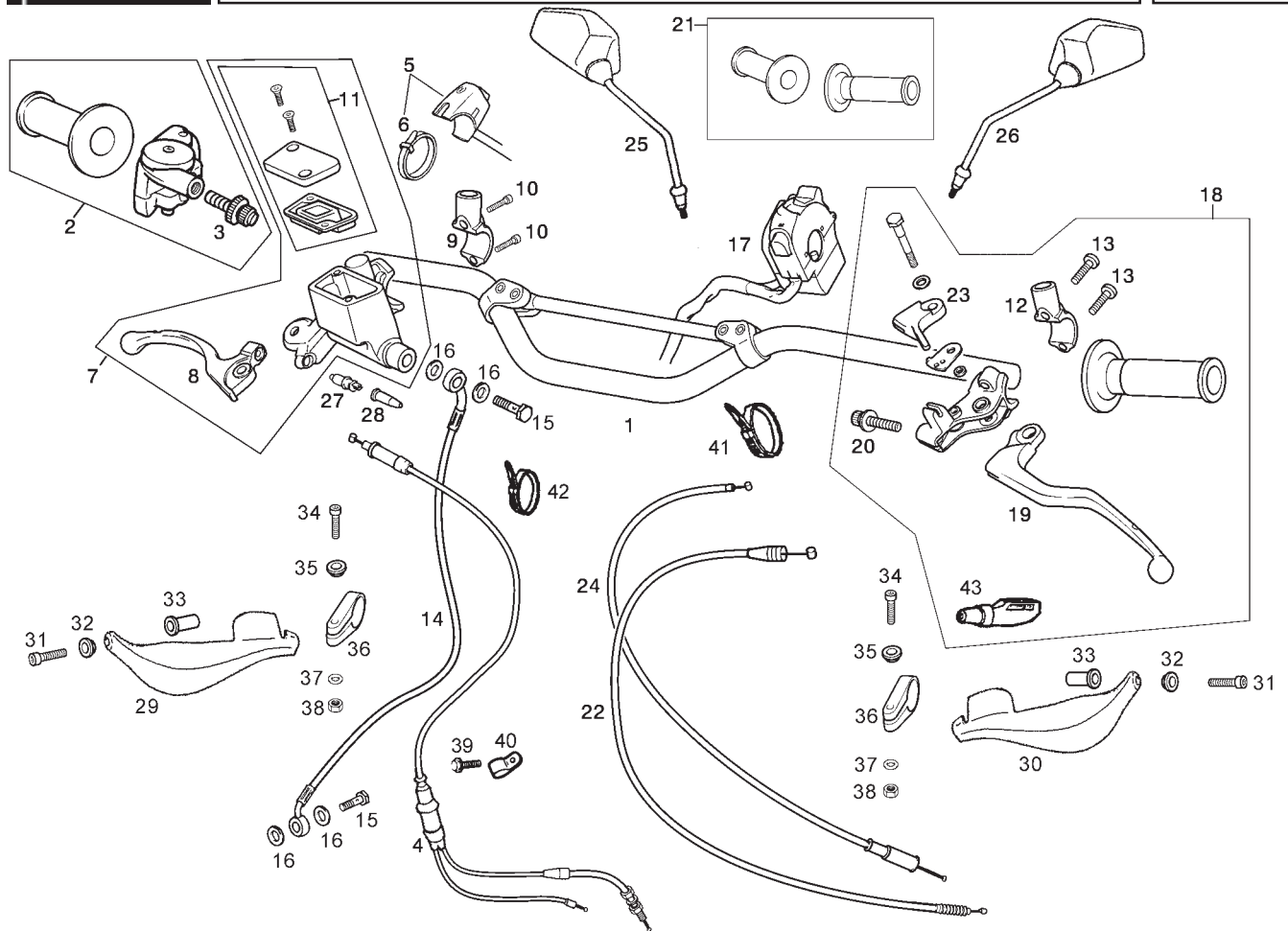
**PIEZAS SIN CALCAS
PARTS WITHOUT DECALS**



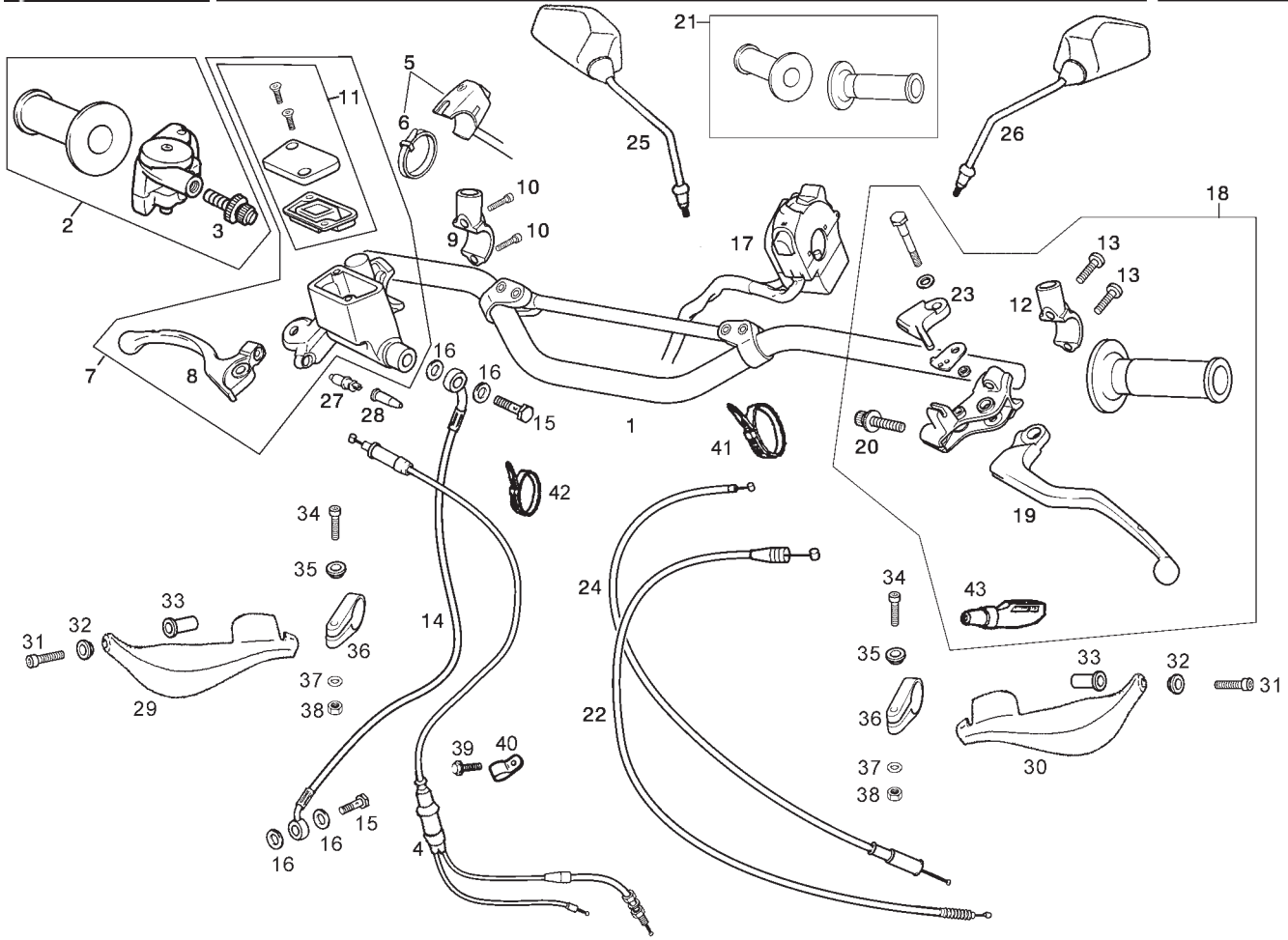
| Fig. | Ver. | COD. KOD. | DESCRIPCIÓN DENOMINAZIONE NAME | BEZEICHNUNG DESIGNATION | MOD. | NOTAS NOTES NOTA MITSCHRIFT NOTES |
|------|------|-------------|--|---------------------------|------|-----------------------------------|
| 45A | | 00D02600631 | ARANDELA RONDELLA WASHER | SCHEIBE RONDELLE | 1 | |
| 46A | | 00000023040 | TUERCA AUTOBLOCANTE DADO NUT | MUTTER ECROU | 1 | |
| 47A | | 865398 | TORNILLO 6M100X30 VITE SCREW | SCHRAUBE VIS | 1 | |
| 48A | | 00008051200 | TORNILLO C/RED. ALLEN 5M80X12 VITE SCREW | SCHRAUBE VIS | 1 | |
| 49A | | 00000031050 | ARANDELA PLANA D5 RONDELLA WASHER | SCHEIBE RONDELLE | 1 | |
| 50A | | 864454 | BRIDA PASACABLES BRIGLIA BRIDLE | ZÜGEL BRIDE | 1 | |
| 51A | | 00000023051 | TUERCA AUTOBLOCANTE 5M80 DADO NUT | MUTTER ECROU | 1 | |
| 52A | | 00H01803471 | PROTECTOR ESPUMA 80X40X25 PROTEZIONE PROTECTOR | ABDECKUNG PROTECTEUR | 1 | |
| 53A | | 866153 | JUEGO CALCAS DRD EVO LTD'08 COMPL. ADESIVI DECALS ASSY | AUFKLEBERSATZ JEU ADHESIF | 1 | |



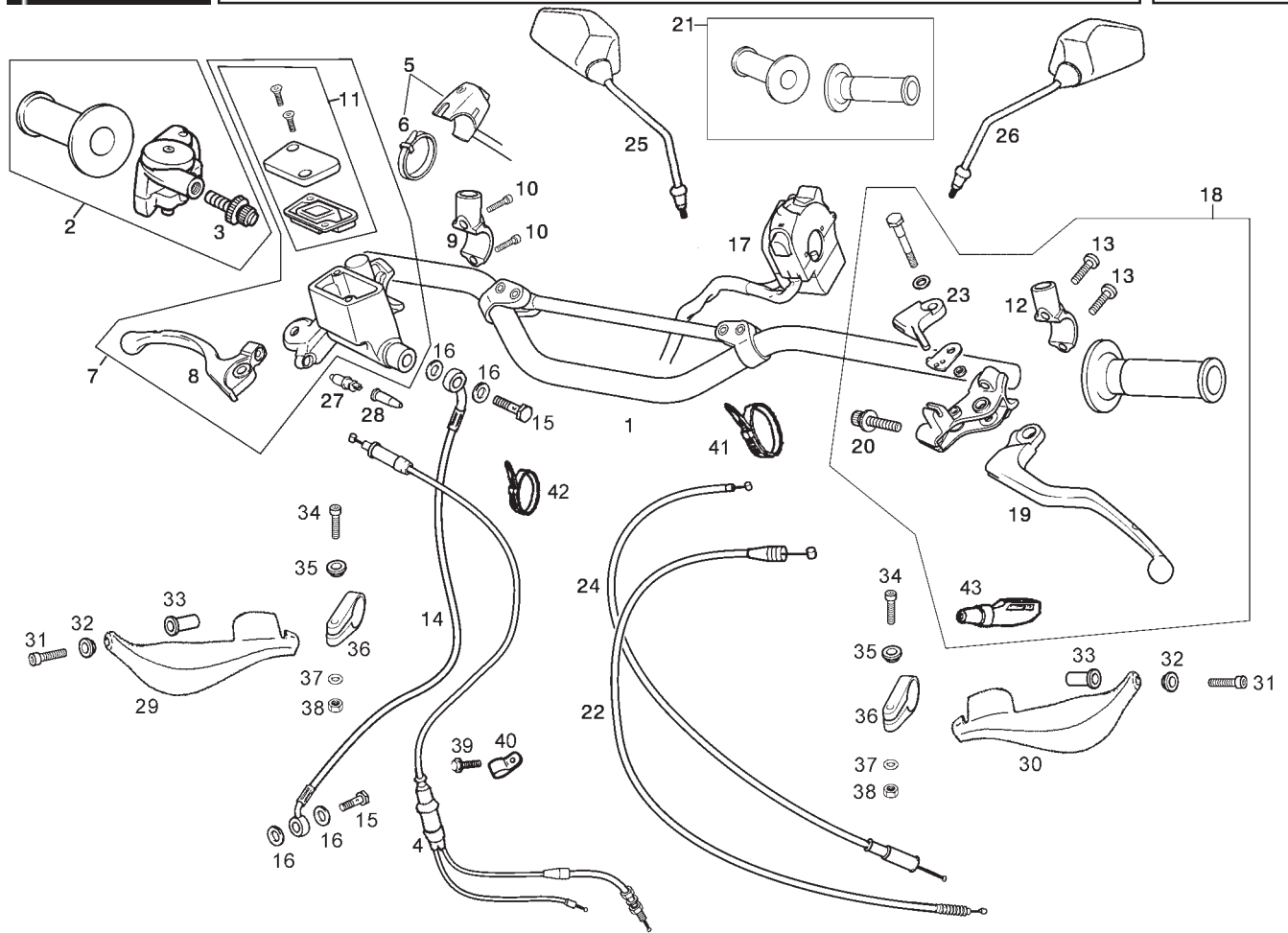
| Fig. | Ver. | COD. KOD. | DESCRIPCIÓN DENOMINAZIONE NAME | BEZEICHUNG DESIGNATION | MOD. | NOTAS NOTES NOTA MITSCHRIFT NOTES |
|------|------|-------------|--|---|------|-----------------------------------|
| 01A | | 86485100W0G | MANILLAR MANUBRIO HANDLEBAR ASSY | LENKER GUIDON | 1 | |
| 02A | | 00H02103621 | CTO PUÑO GAS MANOPOLA ACCELERATOR THROTTLE GRIP ASSEMBLY | GASGRIFF POIGNEE DE GAZ COMPLETE | 1 | |
| 03A | | 00H00900191 | TORNILLO REGULACION CABLE GAS VITE SCREW | SCHRAUBE VIS | 1 | |
| 04A | | 863069 | CTO CABLE GAS CAVO-FODERO ACCELERA CABLE ASSY TRHOTTLE | GASKABEL GAIN ET CABLE DE GAZ | 1 | |
| 05A | | 00H02104631 | CTO.COMMUTADOR ARRANQUE EL. CONMUTATORE SWITCH | SCHALTER INVERSEUR | 1 | |
| 06A | | 00D00900531 | BRIDA UNECABLES 200 X 3,6 FLANGIA UNIONE CAVI BLACK CABLE TIE | KABELBINDER COLLIER | 1 | |
| 07A | | 865257 | CTO BOMBA FRENO DELANTERO COMANDO FRENO FRONT BRAKE LEVER/MASTER CYLIN | REP.-SATZ F. PUMPE ENSEM. KIT REPAR. POMPE SE | 1 | |
| 08A | | 00H00908201 | MANETA FRENO DELANTERO LEVA FRENO BRAKE LEVER | BREMSHEBEL KOMPL. MANETE DU FREIN AVANT | 1 | |
| 09A | | 00H02102331 | BRIDA FIJACION BOMBA FRENO BRIGLIA CLAMP | KLAMMER BRIDE | 1 | |
| 10A | | 00008052000 | TORNILLO C/RED. ALLEN 5M80X20 VITE SCREW | SCHRAUBE VIS | 1 | |
| 11A | | 862534 | KIT TAPETA BOMBA FRENO COPERCHIO SERBATOIO LIQUIDO BRAKE FLUID RESERVOIR CAP | BREMSFLUESSIGKEITSBEHAELTE COUV. RESER. LIQ. FREIN AVAN | 1 | |



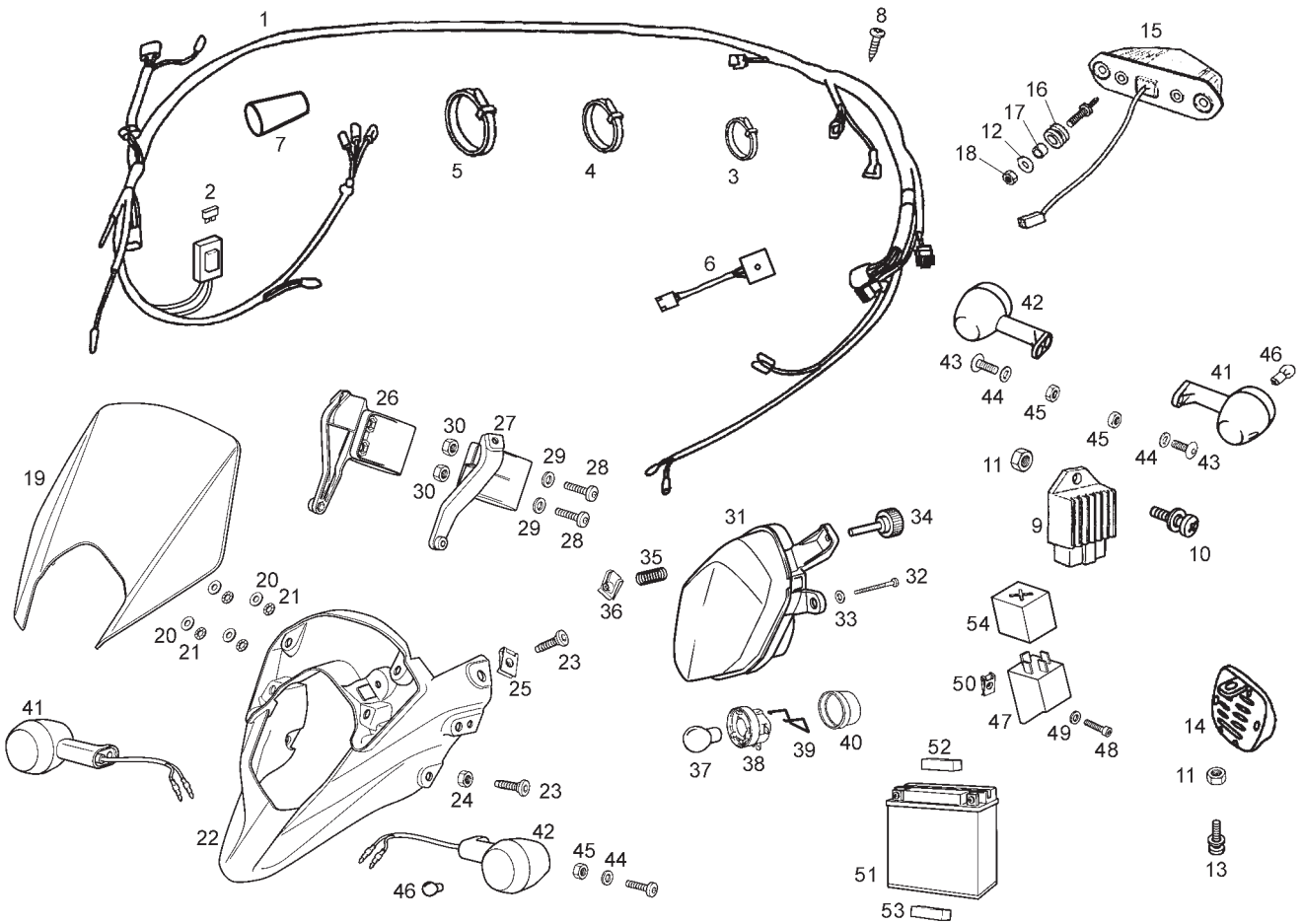
| Fig. | Ver. | COD. KOD. | DESCRIPCIÓN DENOMINAZIONE NAME | BEZEICHUNG DESIGNATION | MOD. | NOTAS NOTES NOTA MITSCHRIFT NOTES |
|------|------|-------------|---|--|------|-----------------------------------|
| 12A | | 00H00211741 | BRIDA FIJ. MANILLASOPORTE ESPEJO BRIGLIA CLAMP | KLAMMER BRIDE | 1 | |
| 13A | | 00008062500 | TORNILLO C/REDONDA ALLEN.6M100X25 VITE SCREW | SCHRAUBE VIS | 1 | |
| 14A | | 865449 | TUBO LIQUIDO FRENOS DELANTERO TUBO LIQ. FRE. BRAKE FLUID TUBE | BREMSSSCHLAUCH FLEXIBLE DE FREIN AVANT | 1 | |
| 15A | | 00006309260 | RACORD RACCORDO TUBO IDRAULICO HYDRAULIC TUBE CONNECTOR | STUTZEN HIDRAULIKLEITUNG RACCORD TUYAU HYDRAULIQUE | 1 | |
| 16A | | 00006321040 | ARANDELA RACORD RONDELLA WASHER | SCHEIBE RONDELLE | 1 | |
| 17A | | 865598 | CTO.CONMUTADOR LUCES/INTTES. CONMUTATORE LUCI SWITCH | LICHTSCHALTER INVERSEUR AVEC CABLE | 1 | |
| 18A | | 863882 | CTO PORTAMANETA IZQUIERDA PORTAMANOPOLA SINIS LEFT LEVER BRACKET | BREMSHEBEL LINKS KOMPLETT ENS. PORTE-MANETTE GAUCHE | 1 | |
| 19A | | 00H00905291 | MANETA EMBRAGUE LEVIER EMBRAYAGE CLUTCH LEVER | KUPPLUNGSHEBEL LEVIER EMBRAYAGE | 1 | |
| 20A | | 00H00901551 | TORNILLO REG. CABLE EMBRAGUE VITE SCREW | SCHRAUBE VIS | 1 | |
| 21A | | 00H00906081 | CTO JUEGO EMPUÑADURAS KIT MANOPOLA GRIP KIT | GRIFF KIT KIT CAOUTCHOU DE PIGNEE | 1 | |
| 22A | | 00H00914301 | SCTO. CABLE EMBRAGUE SUBCOM. CAVO-GUAINA FRIZ. CLUTCH COVER AND CAB. SUB. ASSY. | KUPPLUNGSZUG GAINE ET CABLE DIEMBAYAGE | 1 | |



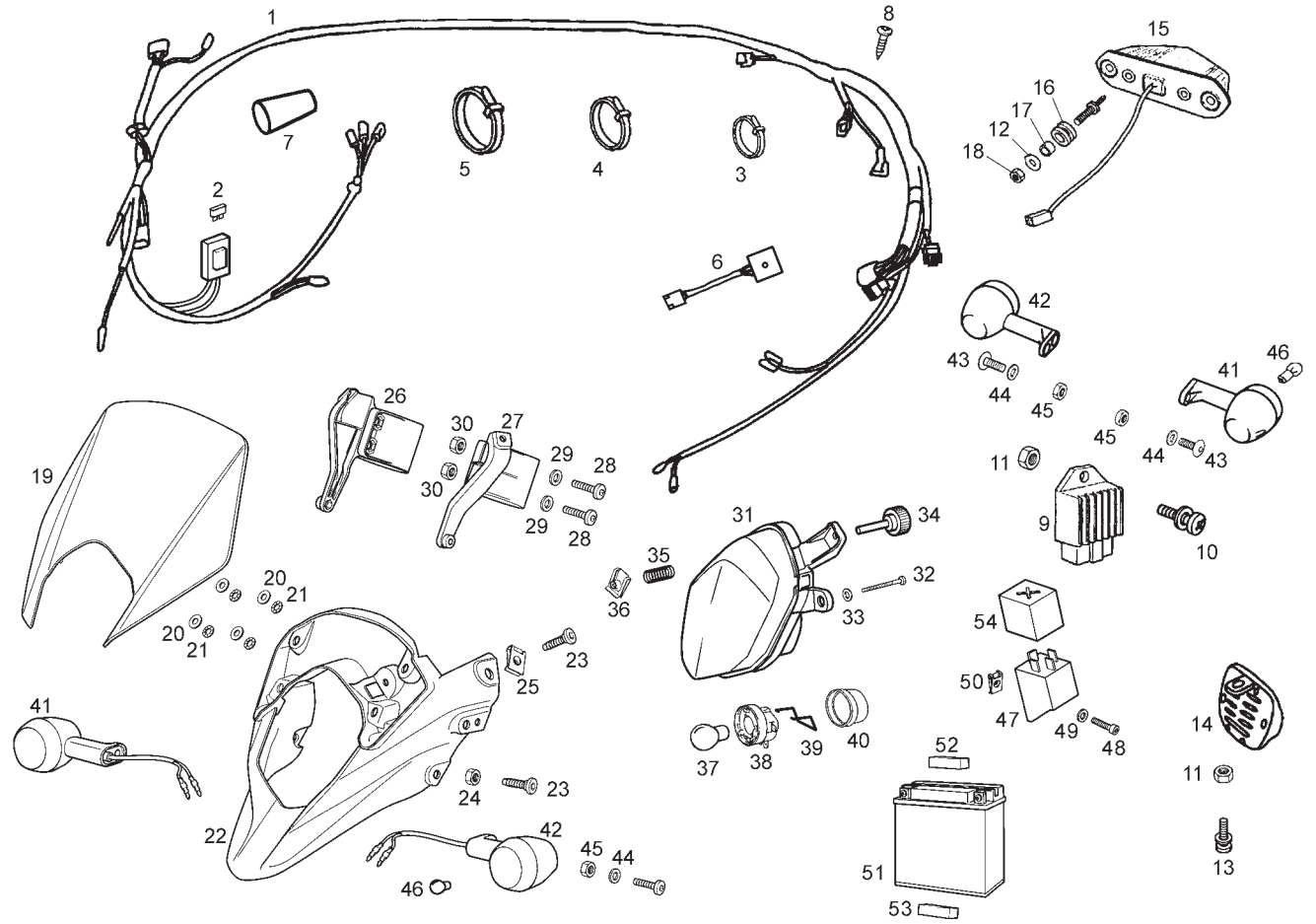
| Fig. | Ver. | COD. KOD. | DESCRIPCIÓN DENOMINAZIONE NAME | BEZEICHUNG DESIGNATION | MOD. | NOTAS NOTES NOTA MITSCHRIFT NOTES |
|------|------|-------------|---|---|------|-----------------------------------|
| 23A | | 00H00902661 | MANETA AIRE LEVA ARIA AIR LEVER | LUFTHEBEL LEVIER | 1 | |
| 24A | | 00H00909651 | CTO.CABLE MANDO AIRE CAVO ARIA AIR CABLE | LUFTKABEL CABLE DE AIR | 1 | |
| 25A | | 00H02212671 | ESPEJO RETROVISOR DERECHO SPECCHIETTO RETROVSORE REAR VIEW MIRROR | SPIEGEL RETROVISEUR | 1 | |
| 26A | | 00H04607921 | ESPEJO RETROVISOR IZQUIERDO SPECCHIETTO RETROVSORE REAR VIEW MIRROR | SPIEGEL RETROVISEUR | 1 | |
| 27A | | 00D01000701 | INTERRUPTOR STOP INTERRUTTORE STOP SWITCH, STOP LIGHT | STOPCHALTER VO. INTERRUPTEUR COMMANDE STOP | 1 | |
| 28A | | 00005010760 | CAPUCHON INTERRUPTOR STOP CAPPUCCIO INTERRUTTORE STOP NE RUBBER COVER,STOP LIGHT SWITCH | GUMMISCHUTZ STOPLICHTSCHAL CAPUCHON | 1 | |
| 29A | | 00H02102011 | PROTECTOR MANETA DERECHO PROTETTORE PROTECTOR | KAPPE PROTECTOR | 1 | |
| 30A | | 00H02102831 | PROTECTOR MANETA IZQUIERDO PROTETTORE PROTECTOR | KAPPE PROTECTOR | 1 | |
| 31A | | 00002085531 | TORNILLO 8M125X55 VITE SCREW | SCHRAUBE VIS | 1 | |
| 32A | | 00H02100401 | CASQUILLO FIJACION EXPANSOR GHIERA BUSH | DISTANZHULSE ENTRETOISE | 1 | |
| 33A | | 861577 | CASQUILLO EXPANSOR PROTECTOR GHIERA BUSH | DISTANZHULSE ENTRETOISE | 1 | |



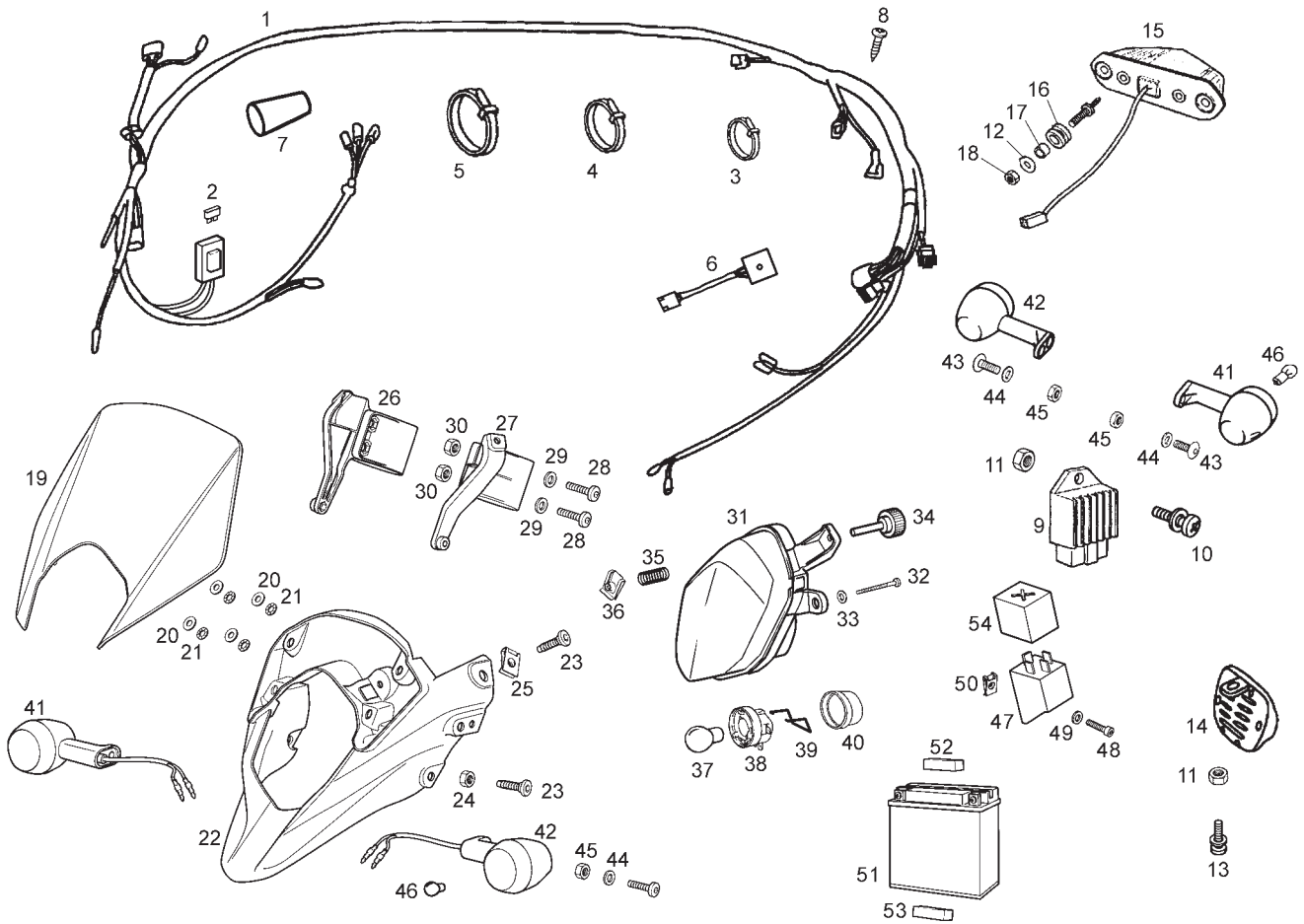
| Fig. | Ver. | COD. KOD. | DESCRIPCIÓN DENOMINAZIONE NAME | BEZEICHUNG DESIGNATION | MOD. | NOTAS NOTES NOTA MITSCHRIFT NOTES |
|------|------|-------------|---|--------------------------------------|------|-----------------------------------|
| 34A | | 00004163500 | TORNILLO C/ALLEN 6M100X35 VITE SCREW | SCHRAUBE VIS | 1 | |
| 35A | | 00H02100351 | CASQUILLO BRIDA PROTECTOR GHIERA BUSH | DISTANZHULSE ENTRETOISE | 1 | |
| 36A | | 861560 | BRIDA FIJ. PROTECTOR MANETA BRIGLIA CLAMP | KLAMMER BRIDE | 1 | |
| 37A | | 00D01200171 | ARANDELA D6 RONDELLA WASHER | SCHEIBE RONDELLE | 1 | |
| 38A | | 00000023060 | TUERCA AUTOBLOCANTE 6M100 DADO NUT | MUTTER ECROU | 1 | |
| 39A | | 00002061011 | TORNILLO C/ALLEN 6M100X10 VITE SCREW | SCHRAUBE VIS | 1 | |
| 40A | | 00H02200591 | ABRAZADERA 10/15 W1 FASCETTA CLAMP | FLANGE BRIDE | 1 | |
| 41A | | 00F00900531 | BRIDA BRIGLIA BRIDLE | ZÜGEL BRIDE | 1 | |
| 42A | | 00A00900531 | BRIDA BRIGLIA BRIDLE | ZÜGEL BRIDE | 1 | |
| 43A | | 00H02101011 | PROTECTOR MANETA EMBRAGUE PROTEZIONE LEVA FRIZIONE CLUTCH LEVER PROTECTOR | GUMMIKAPPE PROTEGE LEVIER EMBRAY. | 1 | |



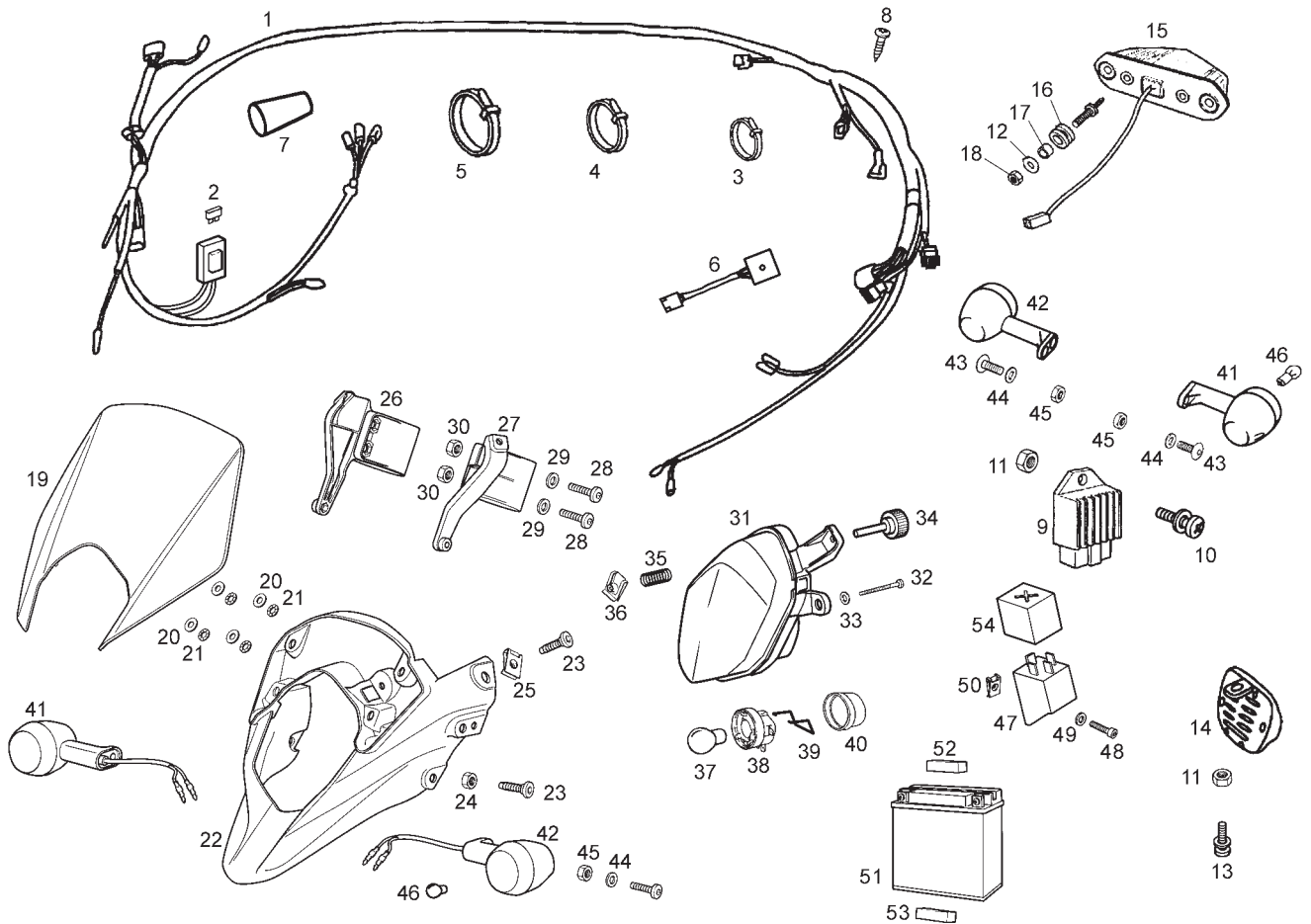
| Fig. | Ver. | COD. KOD. | DESCRIPCIÓN DENOMINAZIONE NAME | BEZEICHUNG DESIGNATION | MOD. | NOTAS NOTES NOTA MITSCHRIFT NOTES |
|------|------|-------------|---|----------------------------------|------|-----------------------------------|
| 01A | | 865544 | CTO.INSTAL.ELECTR.DRD EVO LTD.EDIT COMPLESSO IMPIANTO ELETTRICO ELECTRICAL INSTALATIONS ASSY. | KOBELBAUM FAISCEAU ELECTRIQUE | 1 | |
| 02A | | 00H01001911 | FUSIBLE 7,5 AMP FUSIBILE FUSE | FUSE FUSIBLE | 1 | |
| 03A | | 00A00900531 | BRIDA 140 X 3,6 BRIGLIA BRIDLE | ZÜGEL BRIDE | 1 | |
| 04A | | 00D00900531 | BRIDA 200 X 3,6 BRIGLIA BRIDLE | ZÜGEL BRIDE | 1 | |
| 05A | | 00F00900531 | BRIDA 290 X 4,8 BRIGLIA BRIDLE | ZÜGEL BRIDE | 1 | |
| 06A | | 00H05700481 | CTO. TEMPORIZADOR CHECK TEMPORIZZATORE CHECK INP. CHECK INDICATOR | ZEITSCHALTER FAISCEAU COMPTEUR | 1 | |
| 07A | | 00H02300961 | PROTECTOR CONEXIONES PROTEZIONE PROTECTOR | ABDECKUNG PROTECTEUR | 1 | |
| 08A | | 00011061300 | TORNILLO AUTR.C/CRUZ.6,3X13 VITE SCREW | SCHRAUBE VIS | 1 | |
| 09A | | 864660 | REGULADOR REGULATORE TENSIONE REGULATOR | SPANNUNGSREGLER REGULATEUR AC/DC | 1 | |
| 10A | | 00F05900041 | SCTO.TORNILLO 6M100X16 VITE SCREW | SCHRAUBE VIS | 1 | |
| 11A | | 00000023060 | TUERCA AUTOBLOCANTE 6M100 DADO NUT | MUTTER ECROU | 1 | |



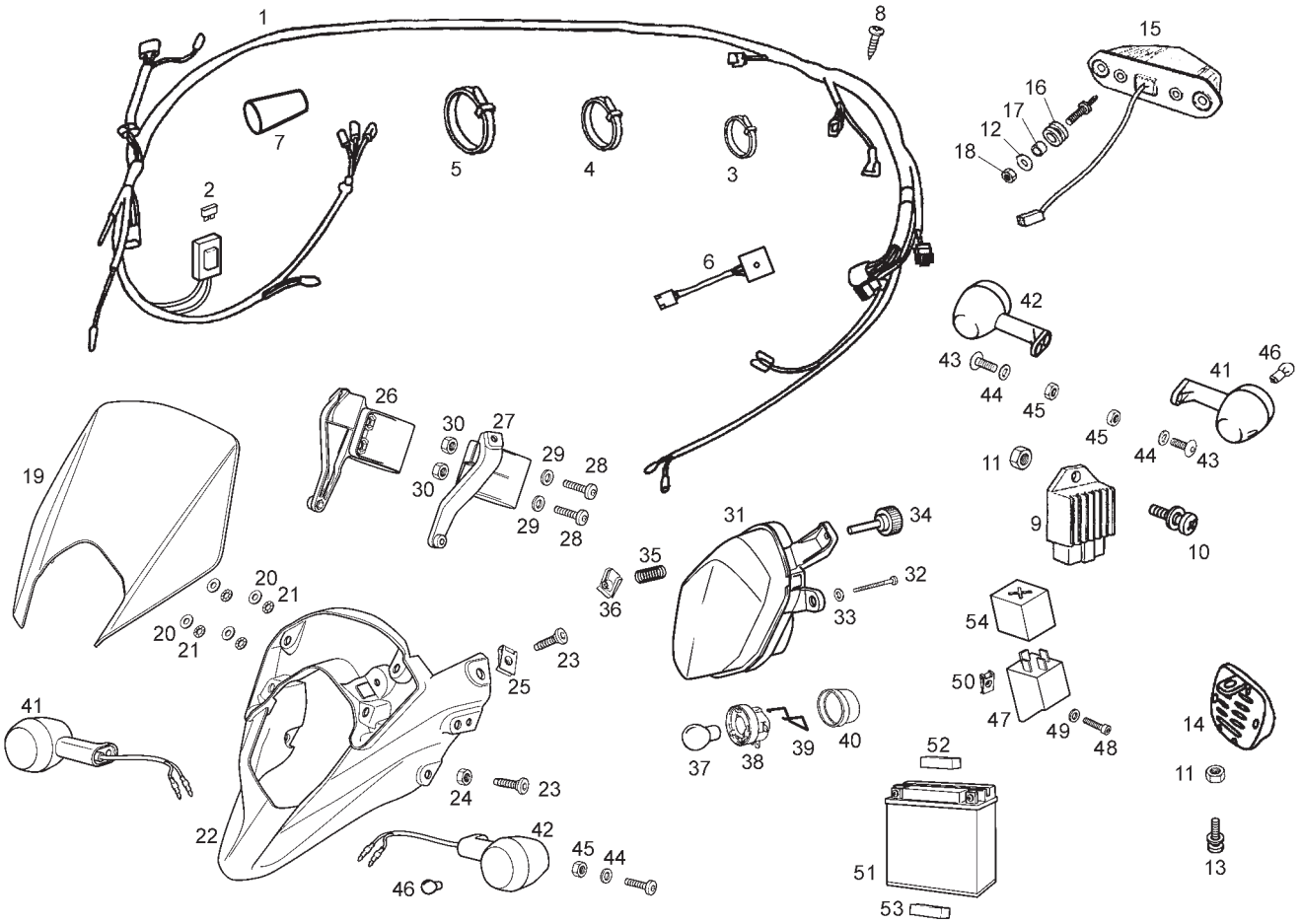
| Fig. | Ver. | COD. KOD. | DESCRIPCIÓN DENOMINAZIONE NAME | BEZEICHUNG DESIGNATION | MOD. | NOTAS NOTES NOTA MITSCHRIFT NOTES |
|------|------|-------------|--|--------------------------------------|------|-----------------------------------|
| 12A | | 00402060001 | ARANDELA RONDELLA WASHER | SCHEIBE RONDELLE | 1 | |
| 13A | | 00D05900081 | TORNILLO 6M100X16 VITE SCREW | SCHRAUBE VIS | 1 | |
| 14A | | 00H01005311 | CTO.CLAXON CLACSON HORN ASSEMBLY | HUPE KLAXON | 1 | |
| 15A | | 00H01009321 | CTO.FARO PILOTO FANALINO POSTERIORE TAIL LIGHT ASSY | RUCKLIGHT FEU ARRIERE | 1 | |
| 16A | | 00008915020 | PASACABLE PORTACAVI GROMMET | GUMMI PASSE-CABLE | 1 | |
| 17A | | 00D01500471 | CASQUILLO BRONZINA BUSHING | BUCHSE ENTRETOISE | 1 | |
| 18A | | 00000023060 | TUERCA AUTOBLOC. 6M100 DADO NUT | MUTTER ECROU | 1 | |
| 19A | | 86420600WN4 | CARCASA FARO COPERCHIO FANALE HEADLIGHT CUSING | SCHEINWERFERVERKLEIDUNG PLAQUE PHARE | 1 | |
| 20A | | 00H01500741 | ARANDELA RONDELLA WASHER | SCHEIBE RONDELLE | 1 | |
| 21A | | 861239 | ARANDELA RETENCION D5 INOX RONDELLA WASHER | SCHEIBE RONDELLE | 1 | |
| 22A | | 864855 | SOPORTE CARCASA FARO SUPPORTO HEADLIGHT CUSING SUPPORT | HALTERUNG SUPPORT | 1 | |



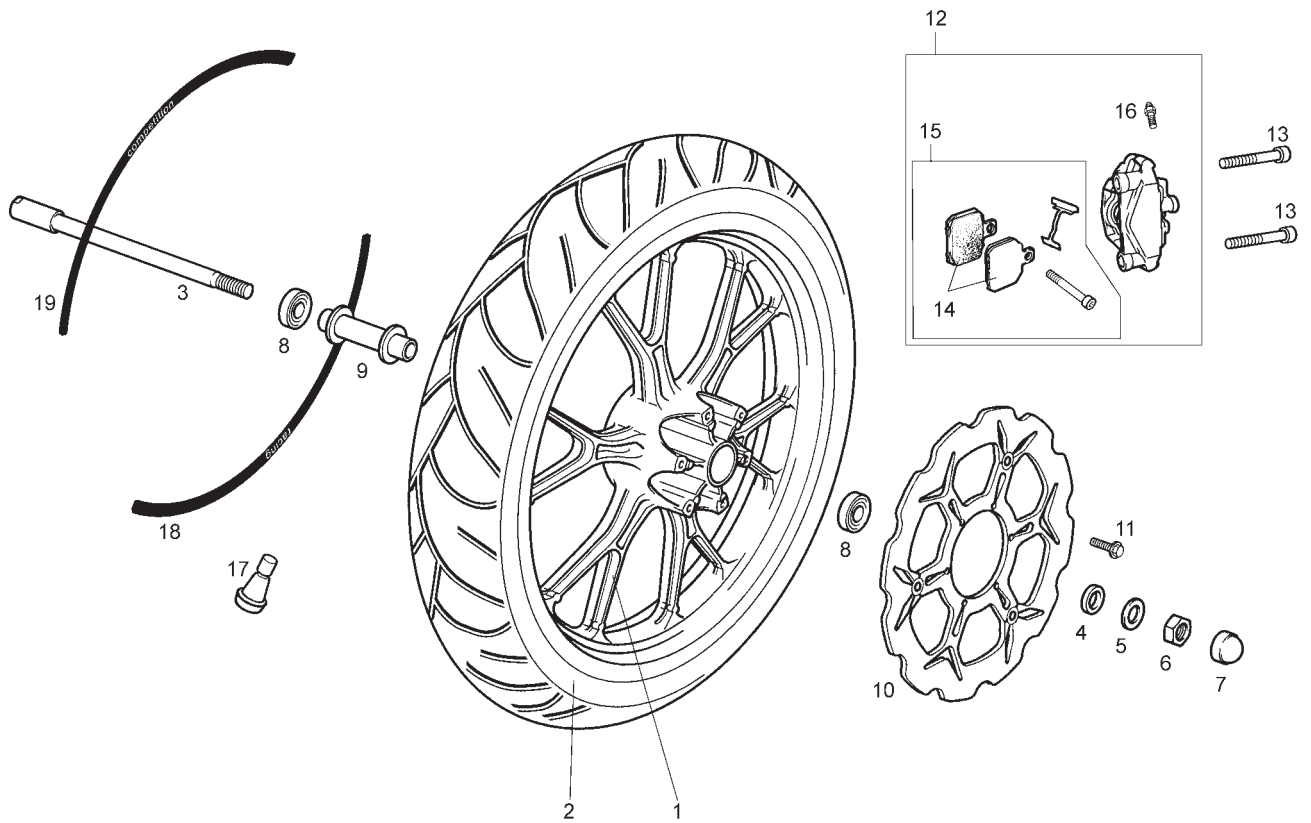
| Fig. | Ver. | COD. KOD. | DESCRIPCIÓN DENOMINAZIONE NAME | BEZEICHUNG DESIGNATION | MOD. | NOTAS NOTES NOTA MITSCHRIFT NOTES |
|------|------|-------------|--|----------------------------------|------|-----------------------------------|
| 23A | | 863408 | TORNILLO FIJACION PLASTICOS M5X12 VITE SCREW | SCHRAUBE VIS | 1 | |
| 24A | | 00000023051 | TUERCA AUTOBLOCANTE 5M80 DADO NUT | MUTTER ECROU | 1 | |
| 25A | | 00G04401462 | TUERCA FIJACION D5 DADO NUT | MUTTER ECROU | 1 | |
| 26A | | 865012 | BRIDA DERECHA FIJ. CARCASA BRIGLIA BRIDLE | ZÜGEL BRIDE | 1 | |
| 27A | | 864856 | BRIDA IZQUIERDA FIJ. CARCASA BRIGLIA BRIDLE | ZÜGEL BRIDE | 1 | |
| 28A | | 00052062011 | TORNILLO 6M100X20 VITE SCREW | SCHRAUBE VIS | 1 | |
| 29A | | 00402060001 | ARANDELA D6 RONDELLA WASHER | SCHEIBE RONDELLE | 1 | |
| 30A | | 00000023060 | TUERCA AUTOBLOCANTE 6M100 DADO NUT | MUTTER ECROU | 1 | |
| 31A | | 865385 | CTO FARO DELANTERO FARO ANTERIORE HEADLIGHT LENS | SCHEINWERFER OPTIQUE COMPLETE | 1 | |
| 32A | | 00011032501 | TORNILLO AUTORROSCANTE 3,6X25 VITE SCREW | SCHRAUBE VIS | 1 | |
| 33A | | 00000031040 | ARANDELA PLANA.D.4,3 RONDELLA WASHER | SCHEIBE RONDELLE | 1 | |



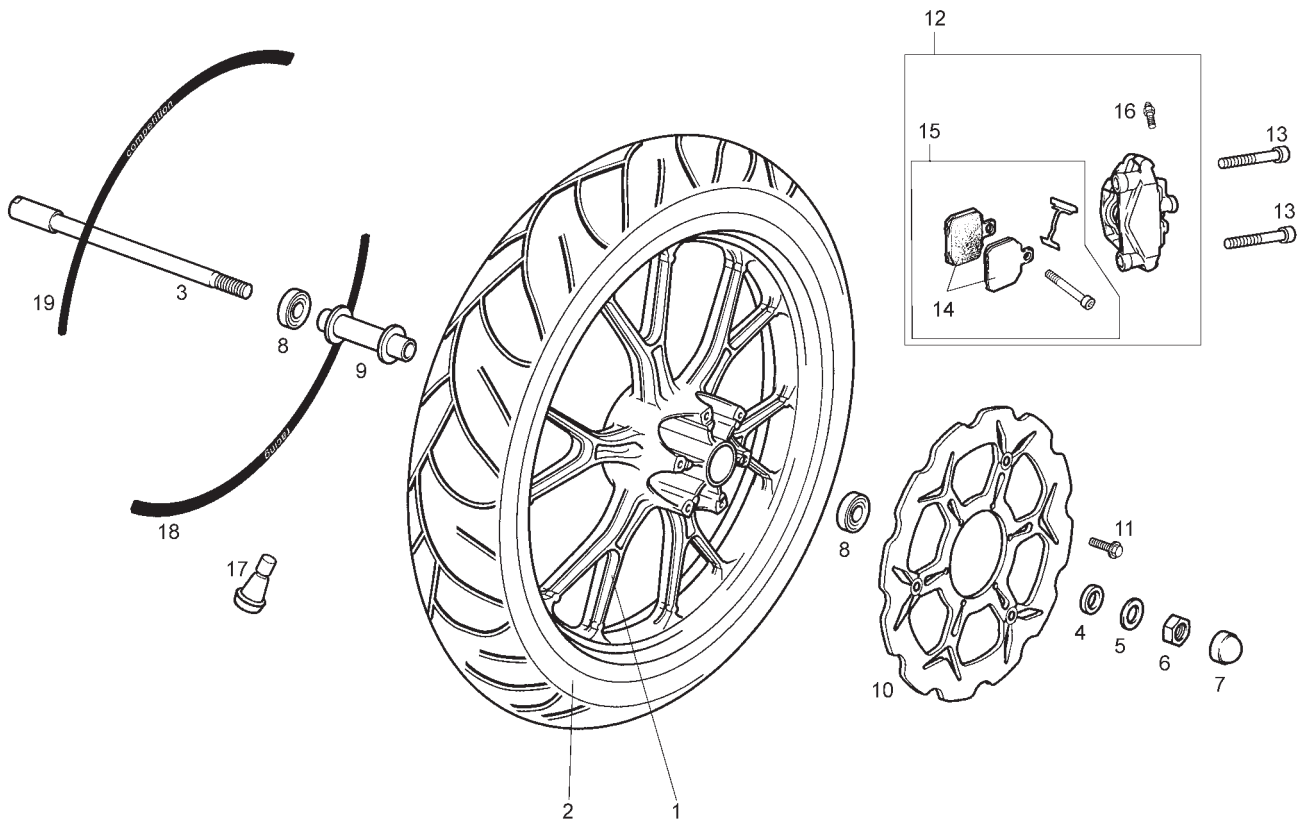
| Fig. | Ver. | COD. KOD. | DESCRIPCIÓN DENOMINAZIONE NAME | BEZEICHUNG DESIGNATION | MOD. | NOTAS NOTES NOTA MITSCHRIFT NOTES |
|------|------|-------------|--|--|------|-----------------------------------|
| 34A | | 00H01003101 | TORNILLO REGULACION FARO DT VITE SCREW | SCHRAUBE VIS | 1 | |
| 35A | | 00G02301501 | MUELLE REGULACION FARO DT MOLLA SPRING | FEDER RESSORT | 1 | |
| 36A | | 00H01500691 | TUERCA FIJACION D5 DADO NUT | MUTTER ECROU | 1 | |
| 37A | | 00H01000131 | LAMPARA FARO.12V.35/35W. LAMPADA HEADLIGHT BULB | SCHEINWERFERLAMPE TUBE PHARE | 1 | |
| 38A | | 00003710110 | PORTALAMPARAS PORTA-LAMPADE BULB HOLDER | LAMPENHALTER PORTE-LAMPES | 1 | |
| 39A | | 00003710120 | MUELLE PORTLAMPARAS MOLLA SPRING | LAMPENHALTER RESSORT | 1 | |
| 40A | | 00H05703141 | PROTECTOR PORTALAMPARAS PROTEZIONE HEADLAMP BULB HOLDER | LAMPENDECKEL PROT.PORTE-LAMPES PHARE F | 1 | |
| 41A | | 863008 | INTERMITENTE DELANTERO DERECHO INDIC. DIREZIONE FRONT RH TURN SIGNAL LIGHT | BLINKER CLIGNOTANTS | 1 | |
| 42A | | 863009 | INTERMITENTE DELANTERO IZQUIERDO INDIC. DIREZIONE FRONT LH TURN SIGNAL LIGHT | BLINKER CLIGNOTANTS | 1 | |
| 43A | | 00008161800 | TORNILLO C/RED.ALLEN 6X18 VITE SCREW | SCHRAUBE VIS | 1 | |
| 44A | | 00402060001 | ARANDELA D6 DADO NUT | MUTTER ECROU | 1 | |



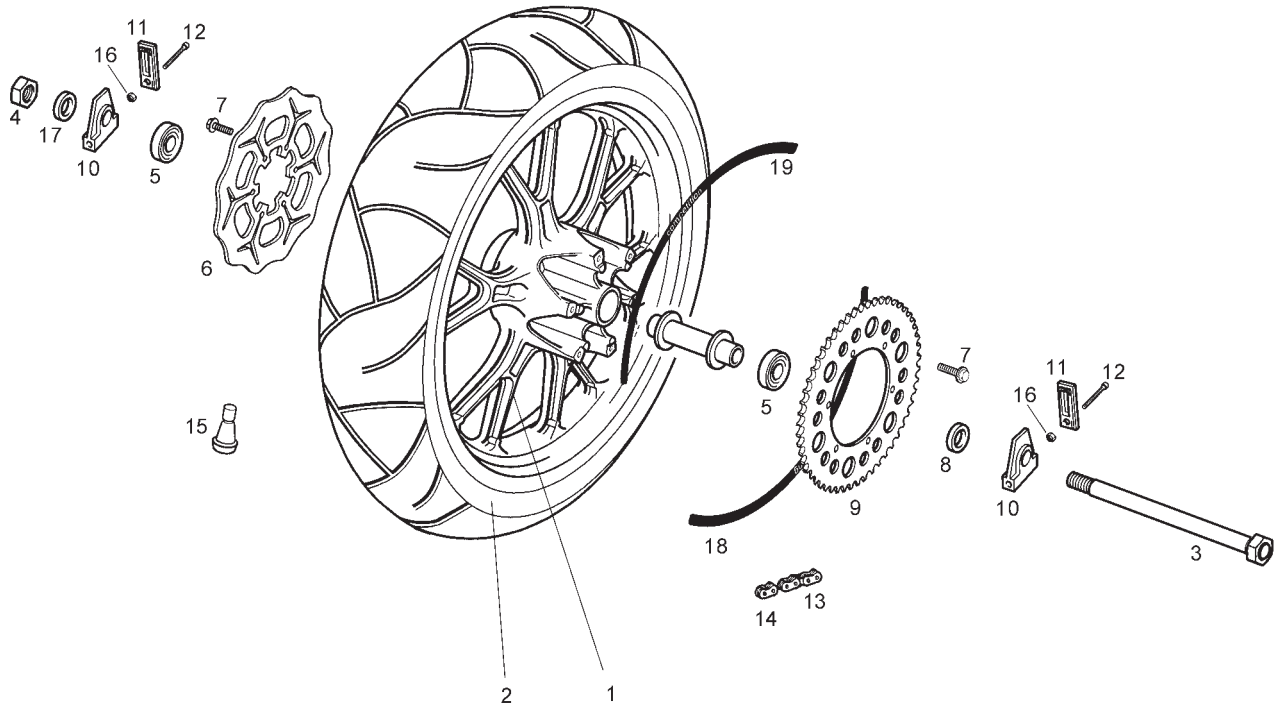
| Fig. | Ver. | COD. KOD. | DESCRIPCIÓN DENOMINAZIONE NAME | BEZEICHUNG DESIGNATION | MOD. | NOTAS NOTES NOTA MITSCHRIFT NOTES |
|------|------|-------------|--|--|------|-----------------------------------|
| 45A | | 00000023060 | TUERCA M6 RONDELLA WASHER | SCHEIBE RONDELLE | 1 | |
| 46A | | 00H01701011 | LAMPARA LAMPADA BULB | LAMPE TUBE PHARE | 1 | |
| 47A | | 584521 | RELE ARRANQUE TELERUTTORE RELAY | FERNSCHALTER RELAIS | 1 | |
| 48A | | 00000004612 | TORNILLO C/ALLEN 6M100X12 VITE SCREW | SCHRAUBE VIS | 1 | |
| 49A | | 00D01200171 | ARANDELA RONDELLA WASHER | SCHEIBE RONDELLE | 1 | |
| 50A | | 00D01501371 | TUERCA FIJACION D6 DADO NUT | MUTTER ECROU | 1 | |
| 51A | | 00G03300401 | BATERIA BATTERIA BATTERY | BATTERIE BATTERIE | 1 | |
| 52A | | 00H01811471 | TOPE BATERIA FERMO POSIZIONATORE BATTERIA BATTERY LOCATOR STOP | BATTERIE-POSITIONIERANSCHLAG G BUTEE POSITIONNEUR BATTERIE | 1 | |
| 53A | | 865762 | TOPE BATERIA FERMO POSIZIONATORE BATTERIA BATTERY LOCATOR STOP | BATTERIE-POSITIONIERANSCHLAG G BUTEE POSITIONNEUR BATTERIE | 1 | |
| 54A | | 865605 | PROTECTOR RELE ARRANQUE ELEC. PROTEZIONE PROTECTOR | ABDECKUNG PROTECTEUR | 1 | |



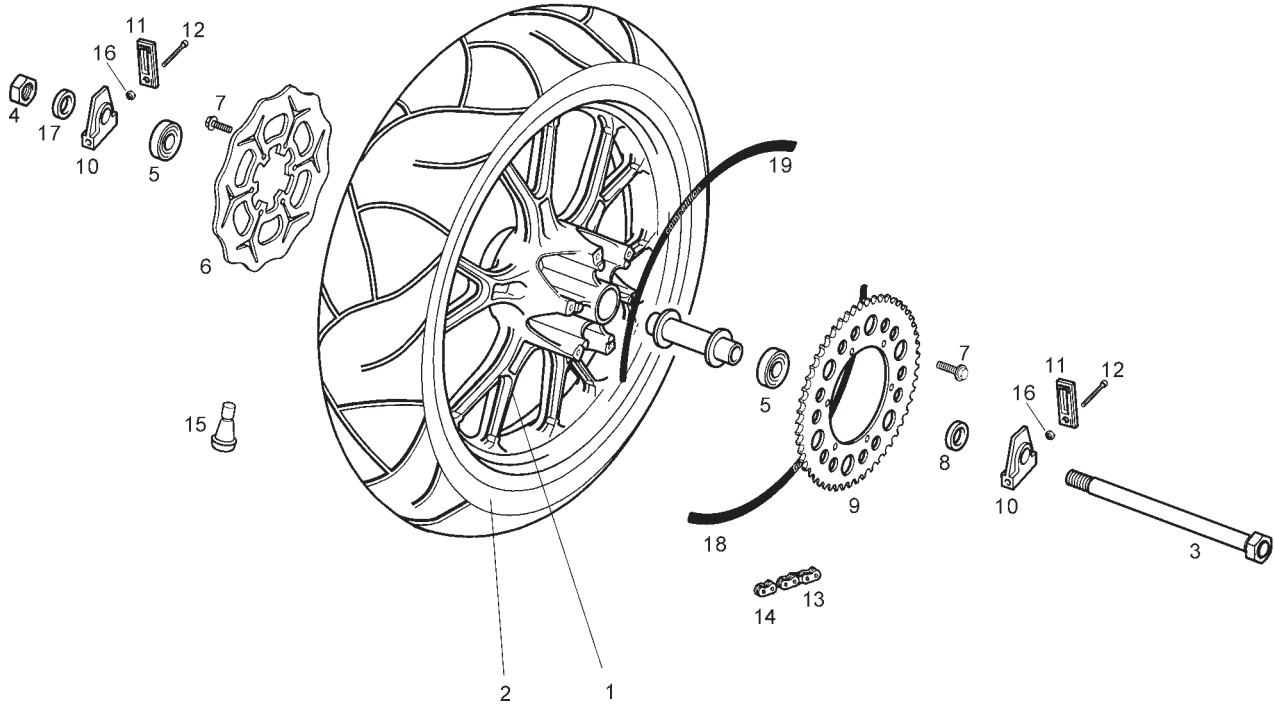
| Fig. | Ver. | COD. KOD. | DESCRIPCIÓN DENOMINAZIONE NAME | BEZEICHUNG DESIGNATION | MOD. | NOTAS NOTES NOTA MITSCHRIFT NOTES |
|------|------|-------------|---|--|------|-----------------------------------|
| 01A | | 864847 | LLANTA DELANTERA CERCHIO ANTERIORE FRONT WHEEL | FELGE VORNE JANTE DE DEVANT | 1 | |
| 02A | | 00H01221111 | CUBIERTA DELANTERA 100/80X17" COPERTONE TYRE | REIFEN PNEU | 1 | |
| 03A | | 863372 | EJE RUEDA DELANTERA ASSE RUOTA ANTERIORE FRONT WHEEL AXLE | VORDERRADACHSE AXE ROUE AVANT | 1 | |
| 04A | | 00H01203291 | CASQUILLO LADO DISCO GHIERA RUOTA LATO DISCO SPACER, REAR WHEEL DISC SIDE | DISTANZHULSE ENTRETOISE | 1 | |
| 05A | | 00032015000 | ARANDELA PLANA RONDELLA WASHER | U.SCHEIBE RONDELLE | 1 | |
| 06A | | 00H00300672 | TUERCA CABEZA EJE RUEDA DADO NUT | MUTTER ECROU | 1 | |
| 07A | | 00H01201331 | PROTECTOR TUERCA PROTEZIONE PROTECTOR | ABDECKUNG PROTECTEUR | 1 | |
| 08A | | 00058020200 | COJINETE CUSCINETTO BEARING | LAGER COUSSINET | 1 | |
| 09A | | 00H01205031 | SEPARADOR COJINETES RUEDA DT DISTANZIALE CUSCINETTO BEARING DISTANCE BUSH | TRENNSTÜCK KUGELLAGER ENTRETOISE DE ROULEMENT | 1 | |
| 10A | | 864848 | DISCO FRENO DELANTERO DISCO FRENO FRONT BRAKE DISC | BREMSSCHEIBE VORNE DISQUE DE FREIN AVANT | 1 | |
| 11A | | 00H02402282 | TORNILLO FIJACION DISCO VITE FISSAGGIO DISCO FRENO REAR BRAKE DISC SECURING SCREW | BEF.-SCHRAUBE BREMSSCHEIBE VIS | 1 | |



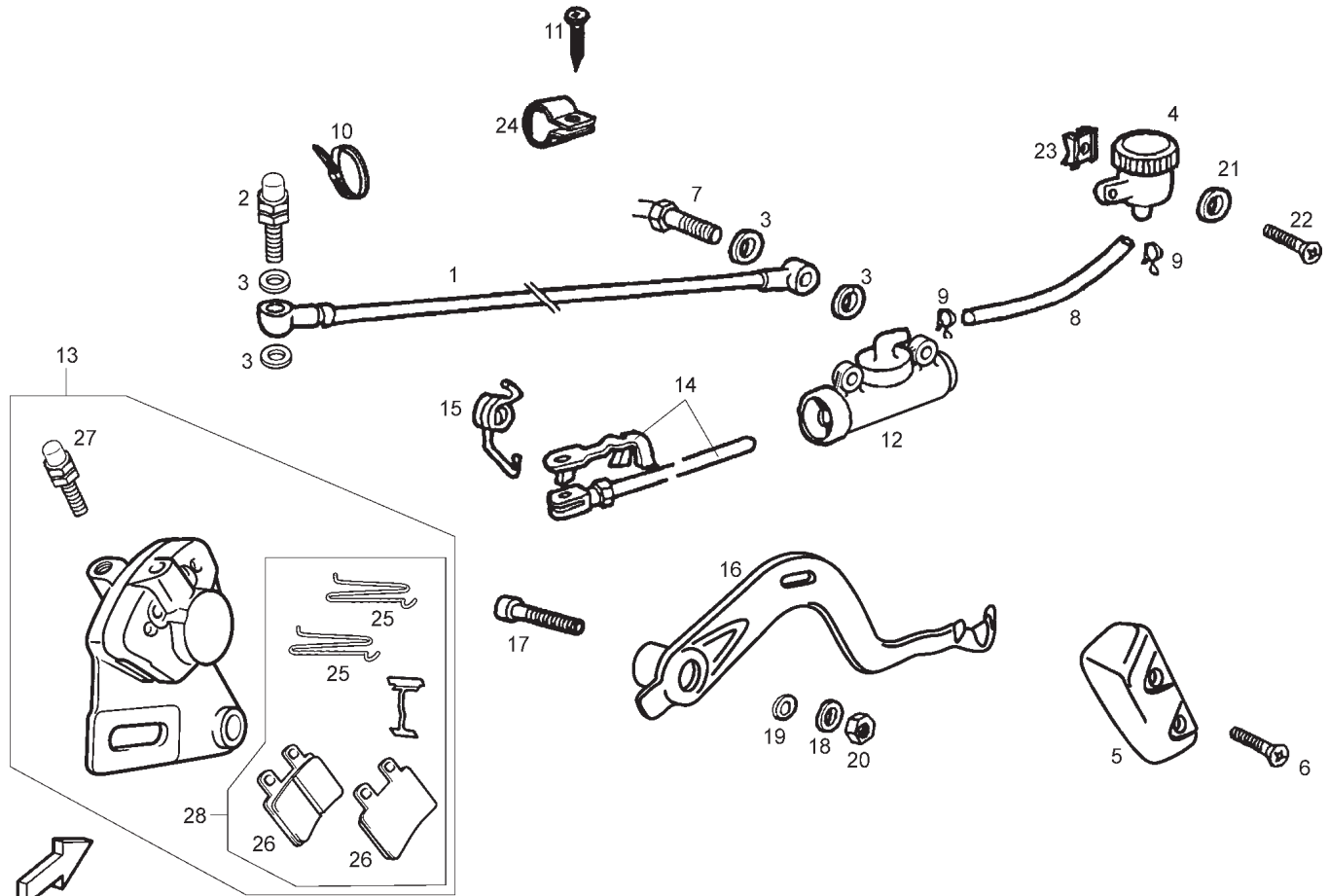
| Fig. | Ver. | COD. KOD. | DESCRIPCIÓN DENOMINAZIONE NAME | BEZEICHNUNG DESIGNATION | MOD. | NOTAS NOTES NOTA MITSCHRIFT NOTES |
|------|------|-------------|--|---|------|-----------------------------------|
| 12A | | 866155 | CTO PINZA FRENO DELANTERO PINZA ANTERIORE BRAKE CALIPER | BREMSZANGE VORNE ENSEMBLE PINCE FREIN | 1 | |
| 13A | | 00000004160 | TORNILLO PINZA DELANTERA VITE SCREW | SCHRAUBE VIS | 1 | |
| 14A | | 861760 | JUEGO PASTILLAS DE FRENO CONG. PASTIGLIE FRENO SET OF BRAKE PADS | DIE GESAMTHEIT BREMSBACKEN ENS. PLAQUETTE DE FREIN | 1 | |
| 15A | | 865498 | JUEGO PASTILLAS + COMPONENTES CONG. PASTIGLIE FRENO SET OF BRAKE PADS | DIE GESAMTHEIT BREMSBACKEN ENS. PLAQUETTE DE FREIN | 1 | |
| 16A | | 00H04705121 | CTO PURGADOR PINZA SPURGO PINZA FRENO ANTERIORE FRONT BRAKE CALIPER BLEED ASSY | ENTLUFTUNGSVENTIL EPURATEUR | 1 | |
| 17A | | 00G04702091 | VALVULA AIRE VALVOLA ARIA VALVE, TYRE | LUFTVENTIL RAEDER SOUPAPE D'ADMISSION D'AIR | 1 | |
| 18A | | 8655800001 | CALCA LLANTA RACING ADESIVI STICKER | AUFKLEBERSATZ ADHESIF | 1 | |
| 19A | | 8655800002 | CALCA LLANTA COMPETITION ADESIVI STICKER | AUFKLEBERSATZ ADHESIF | 1 | |



| Fig. | Ver. | COD. KOD. | DESCRIPCIÓN DENOMINAZIONE NAME | BEZEICHUNG DESIGNATION | MOD. | NOTAS NOTES NOTA MITSCHRIFT NOTES |
|------|------|-------------|---|--|------|-----------------------------------|
| 01A | | 865575 | LLANTA TRASERA CERCHIONE POSTERIORE REAR RIM | HINTERRAD JANTE ARRIERE | 1 | |
| 02A | | 00H01323321 | CUBIERTA TRASERA 130/70X17" COPERTONE TYRE | REIFEN PNEU | 1 | |
| 03A | | 00H01308201 | CTO EJE TRASERO ASSE RUOTA POSTE REAR WHEEL AXLE SUB-ASSEMBLY | U-GRUPPE HINTERRADACHSE S/ENSEMBLE AXE ROUE ARRIERE | 1 | |
| 04A | | 00281141503 | TUERCA EXAGONAL M14 DADO NUT | MUTTER ECROU | 1 | |
| 05A | | 00058020200 | COJINETE CUSCINETTO BEARING | LAGER COUSSINET | 1 | |
| 06A | | 865067 | DISCO FRENO TRASERO DISCO FRENO POSTERIORE REAR BRAKE DISC | BREMSSCHEIBE TR. DISQUE FREIN ARRIERE | 1 | |
| 07A | | 00H02402282 | TORNILLO FIJACION DISCO VITE SCREW | SCHRAUBE VIS | 1 | |
| 08A | | 865587 | CASQUILLO LADO PLATO GHIERA SPACER | DISTANZHULSE ENTRETOISE | 1 | |
| 09A | | 00H01323031 | PLATO ARRASTRE Z-53 PIATTO TRAINO DRIVE PLATE | MITNEHMERSCHEIBE COURONNE ARRIERE | 1 | |
| 10A | | 00H01306811 | TENSOR RUEDA TENSORE RUOTA ADJUSTER, REAR WHEEL ASSY | HINTERRADSPANNER TENDEUR DE ROUE ENSEMBLE | 1 | |
| 11A | | 00H01306171 | TAPETA TENSOR RUEDA COPERCHIO TENSORE RUOTA ADJUSTER COVER | HINTERRADSPANNER DECKEL COUVERCLE TENDEUR | 1 | |

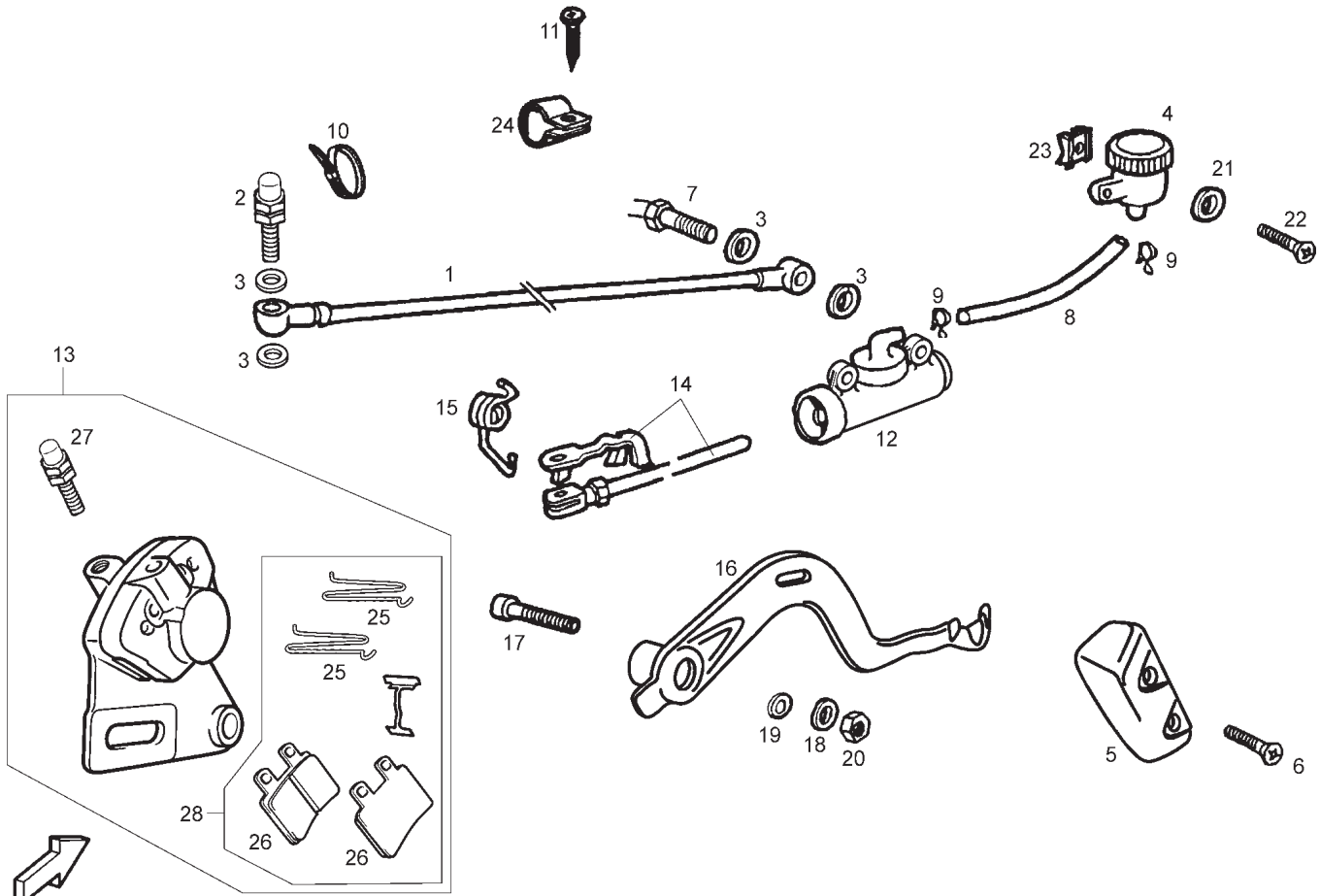


| Fig. | Ver. | COD. KOD. | DESCRIPCIÓN DENOMINAZIONE NAME | BEZEICHNUNG DESIGNATION | MOD. | NOTAS NOTES NOTA MITSCHRIFT NOTES |
|------|------|-------------|--|--|------|-----------------------------------|
| 12A | | 00H01302491 | TORNILLO TENSOR CADENA.6M100X60 VITE SCREW | SCHRAUBE VIS | 1 | |
| 13A | | 00H01502201 | CADENA SECUNDARIA 130P CATENA TRANSMISSION CHAIN | KETTE CHAINE TRANSMISSION | 1 | |
| 14A | | 00H01501212 | ENGANCHE CADENA AGGANCIAMENTO CATENA SICUREZZA MASTER LINK | KETTENSCHLOSS ATTACHE RAPIDE | 1 | |
| 15A | | 00G04702091 | VALVULA AIRE VALVOLA ARIA VALVE, TYRE | LUFTVENTIL RAEDER SOUPAPE D'ADMISSION D'AIR | 1 | |
| 16A | | 00000023060 | TUERCA AUTOBLOCANTE 6M100 DADO NUT | MUTTER ECROU | 1 | |
| 17A | | 00032015000 | ARANDELA PLANA D15 RONDELLA WASHER | SCHEIBE RONDELLE | 1 | |
| 18A | | 8655800001 | CALCA LLANTA RACING ADESIVI STICKER | AUFKLEBERSATZ ADHESIF | 1 | |
| 19A | | 8655800002 | CALCA LLANTA COMPETITION ADESIVI STICKER | AUFKLEBERSATZ ADHESIF | 1 | |



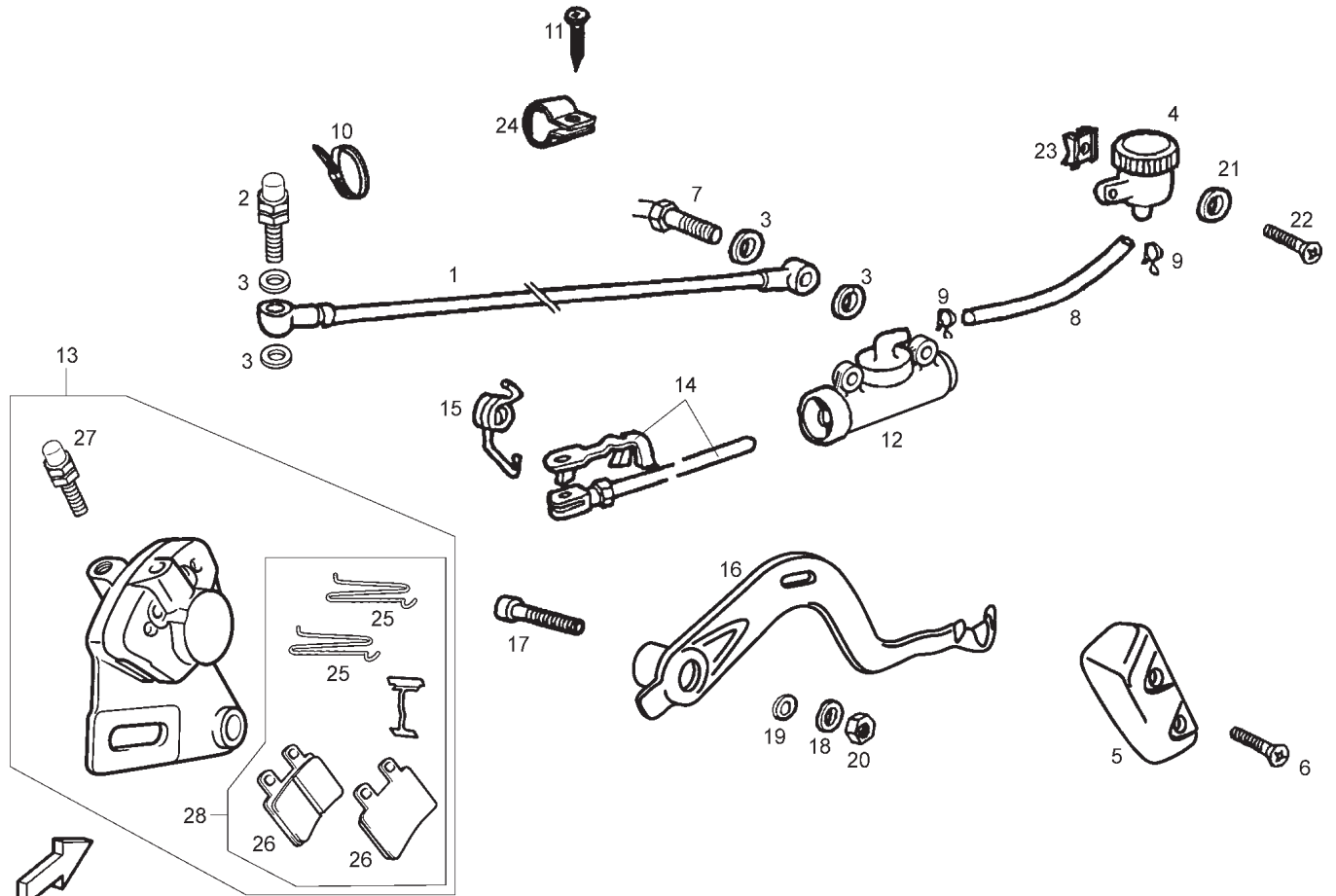
FWD

| Fig. | Ver. | COD. KOD. | DESCRIPCIÓN DENOMINAZIONE NAME | BEZEICHUNG DESIGNATION | MOD. | NOTAS NOTES NOTA MITSCHRIFT NOTES |
|------|------|-------------|---|---|------|-----------------------------------|
| 01A | | 00H01112081 | TUBO LIQUIDO FRENO TRASERO TUBO TUBE | ROHR TUYAU | 1 | |
| 02A | | 00006309260 | RACORD TUBO HIDRAULICO SPURGO PINZA FRENO BRAKE BLEED CLIP ASSY | ABLASSHAHN ENS. PURGEUR PINCE | 1 | |
| 03A | | 00006321040 | ARANDELA JUNTA RACORD RONDELLA WASHER | SCHEIBE RONDELLE | 1 | |
| 04A | | 00D01100201 | DEPOSITO LIQUIDO FRENOS SERBATOIO LIQUIDO FRENO FLUID TUBE TANK | BEHALTER RESERVOIR FLUID TUBE | 1 | |
| 05A | | 00H01101731 | PROTECTOR BOMBA PROTEZIONE REAR BRAKE, PROTECTOR | ABDECKUNG PROTECTEUR | 1 | |
| 06A | | 00G01503701 | TORNILLO FIJACION VITE SCREW | SCHRAUBE VIS | 1 | |
| 07A | | 00H01001701 | CTO. INTERRUPTOR STOP INTERUTTORE FANALINO SWITCH, STOP LIGHT | STOPCHALTER VO. INTERRUPTEUR COMMANDE STOP | 1 | |
| 08A | | 00H01101211 | TUBO DEPOSITO BOMBA TUBO TUBE | ROHR TUYAU | 1 | |
| 09A | | 00H03700131 | ABRAZADERA ELASTICA FASCETTA CLAMP | FLANGE BRIDE | 1 | |
| 10A | | 00F00900531 | BRIDA BRIGLIA BRIDLE | ZÜGEL BRIDE | 1 | |
| 11A | | 00011041300 | TORNILLO AUT. C/CR. NG.4,8X13. VITE SCREW | SCHRAUBE VIS | 1 | |



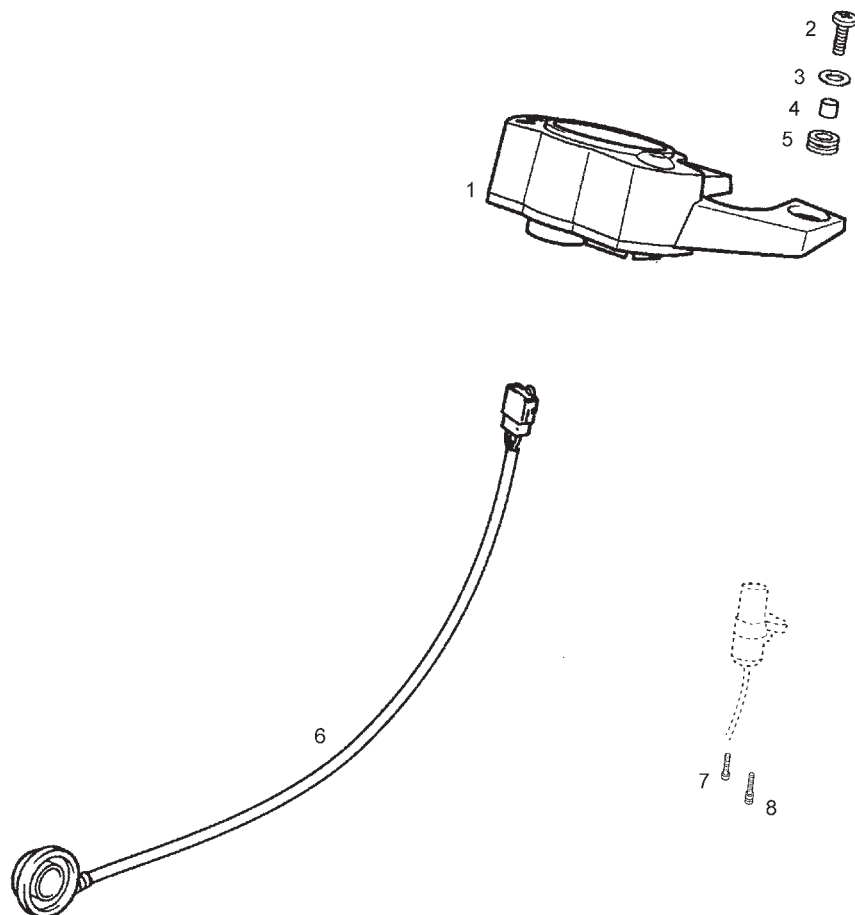
FWD

| Fig. | Ver. | COD. KOD. | DESCRIPCIÓN DENOMINAZIONE NAME | BEZEICHUNG DESIGNATION | MOD. | NOTAS NOTES NOTA MITSCHRIFT NOTES |
|------|------|-------------|--|--|------|-----------------------------------|
| 12A | | 00H01104181 | CTO BOMBA FRENO TRASERO FRENO POSTERIORE REAR BRAKE CONTROL ASSY | REAR BRAKE CONTROL ASSY. ENSEMBLE COMMANDE FREIN ARRIER | 1 | |
| 13A | | 866156 | CTO PINZA FRENO TRASERO PINZA REAR CLIP ASSEMBLY | BREMSZANGE HINTEN ETRIER FREIN | 1 | |
| 14A | | 00H01103611 | VARILLA BOMBA FRENO TRASERO ASTA POMPA FRENO REAR BRAKE ROD | BREMSSTANGE TIGE DE FREIN ARRIERE | 1 | |
| 15A | | 00H01102072 | MUELLE PEDAL FRENO MOLLA SPRING | FEDER RESSORT | 1 | |
| 16A | | 00H01120021 | PALANCA FRENO PEDALE FRENO BRAKE PEDAL | FUSSBREMSHEBEL PEDALE DE FREIN AR. | 1 | |
| 17A | | 00H01100172 | TORNILLO FIJACION VITE SCREW | SCHRAUBE VIS | 1 | |
| 18A | | 00402080001 | ARANDELA PLANA D8 RONDELLA WASHER | SCHEIBE RONDELLE | 1 | |
| 19A | | 00005527540 | ARANDELA RONDELLA WASHER | SCHEIBE RONDELLE | 1 | |
| 20A | | 00023108000 | TUERCA AUTOBLOCANTE 8M125 DADO NUT | MUTTER ECROU | 1 | |
| 21A | | 00D02600631 | ARANDELA RONDELLA WASHER | SCHEIBE RONDELLE | 1 | |
| 22A | | 00012151500 | TORNILLO C/RED. ALL.5M100X16 VITE SCREW | SCHRAUBE VIS | 1 | |

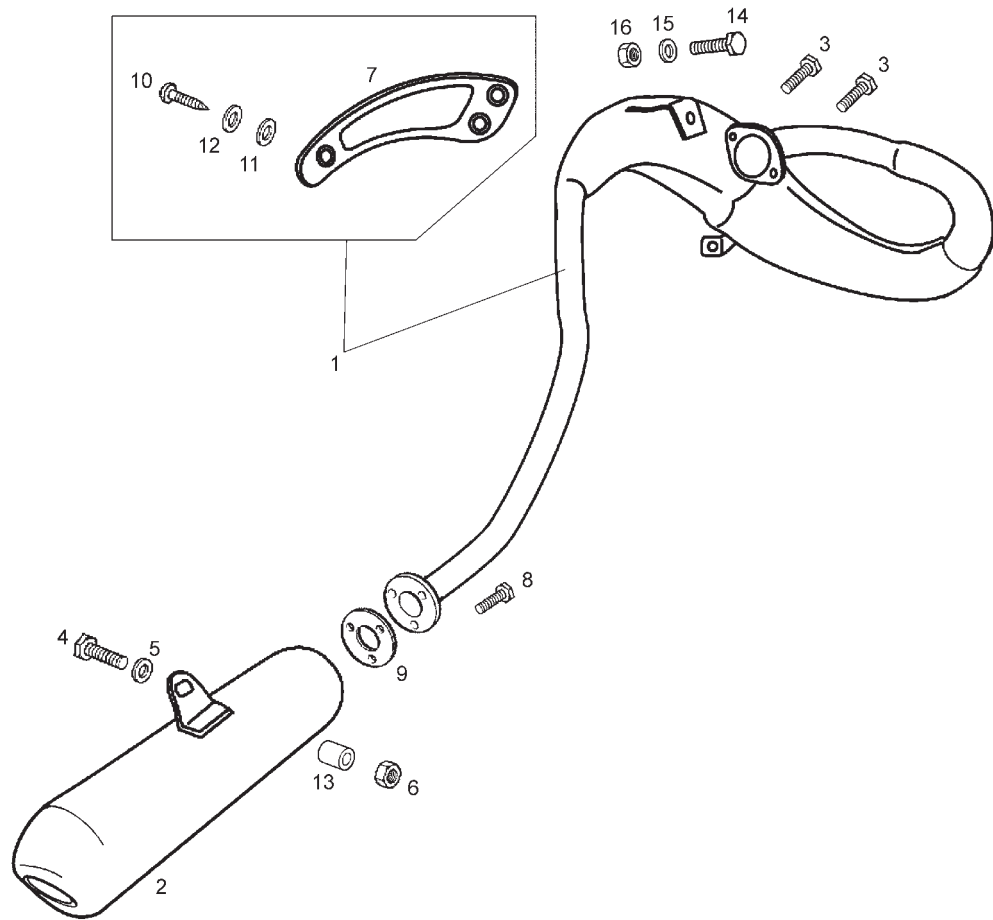


FWD

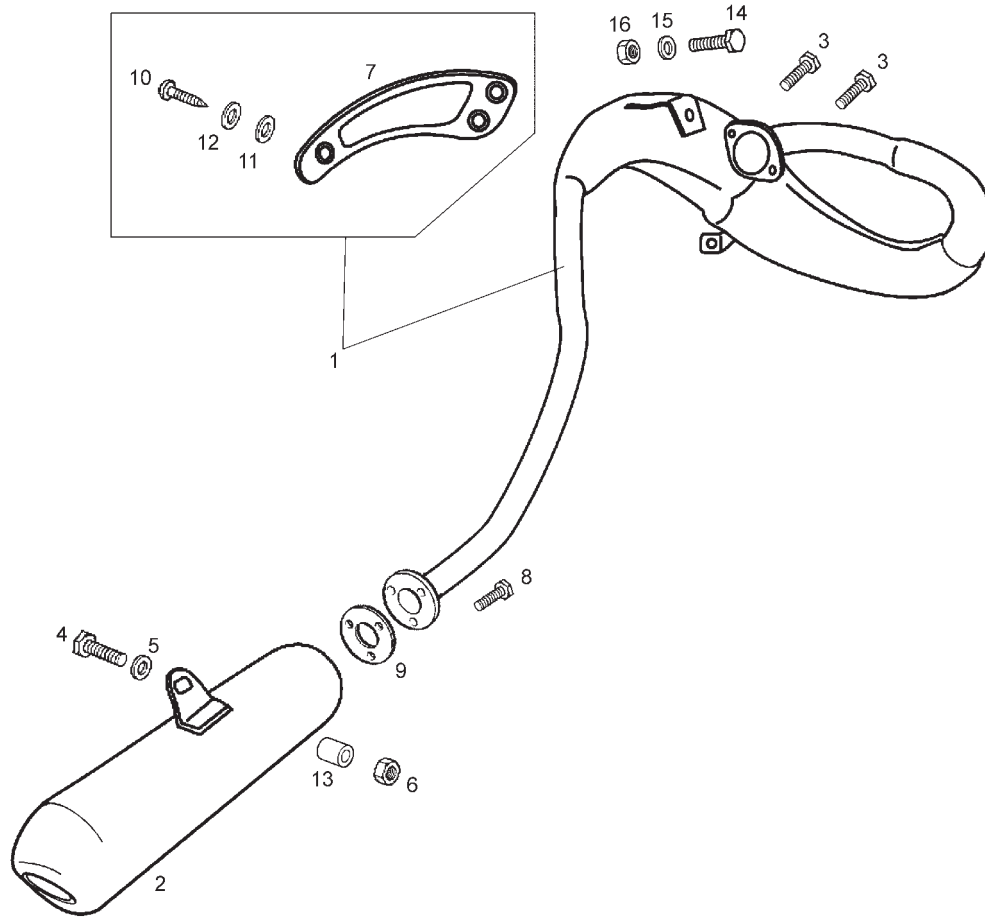
| Fig. | Ver. | COD. KOD. | DESCRIPCIÓN DENOMINAZIONE NAME | BEZEICHNUNG DESIGNATION | MOD. | NOTAS NOTES NOTA MITSCHRIFT NOTES |
|------|------|-------------|---|----------------------------------|------|-----------------------------------|
| 23A | | 00G04401462 | TUERCA FIJACION D5 DADO NUT | MUTTER ECROU | 1 | |
| 24A | | 00H01501811 | BRIDA BRIGLIA BRIDLE | ZÜGEL BRIDE | 1 | |
| 25A | | 00H04701171 | MUELLE FIJACION PASTILLAS MOLLA SPRING | FEDER RESSORT | 1 | |
| 26A | | 00H01302551 | PASTILLA FRENO TRASERO (UNIDAD) PASTIGLIE FRENO BRAKE PAD | BREMSBELAG PLAQUETTE DE FREIN | 1 | 2 PER BIKE |
| 27A | | 00F04700121 | CTO PURGADOR PINZA SPURGO PINZA FRENO BRAKE BLEED CLIP | ABLASSHAHN ENS. PURGEUR PINCE | 1 | |
| 28A | | 865451 | KIT COMPONENTES+PASTILLAS FR. KIT BRAKE PAD KIT REPAIR | KIT KIT | 1 | |



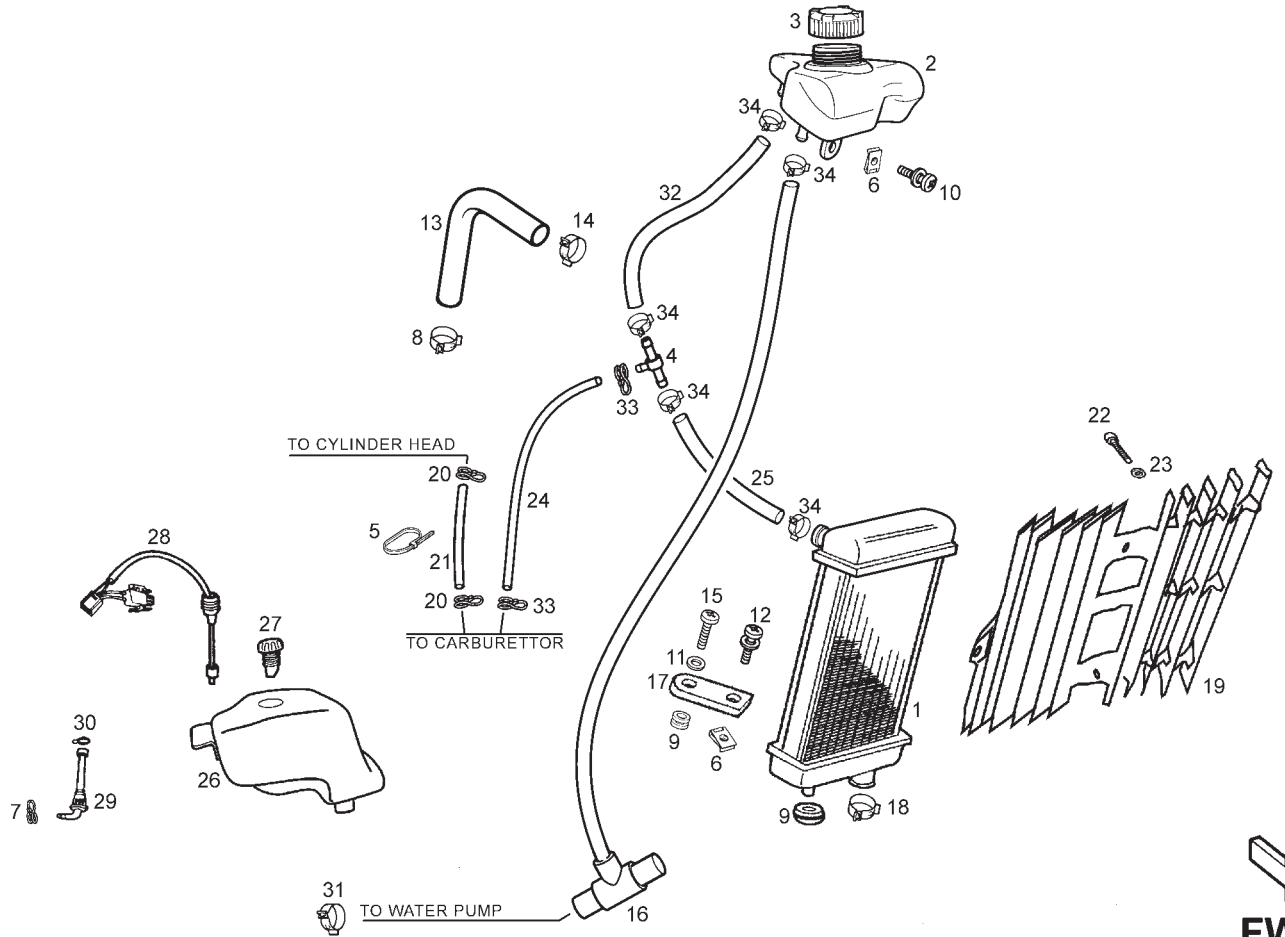
| Fig. | Ver. | COD. KOD. | DESCRIPCIÓN DENOMINAZIONE NAME | BEZEICHNUNG DESIGNATION | MOD. | NOTAS NOTES NOTA MITSCHRIFT NOTES |
|------|------|-------------|--|--|------|-----------------------------------|
| 01A | | 00H01644521 | CTO TABLIER (KMH) CRUSCOTTO DASH ASSY | INSTRUMENTERHALTER BOITIER TABLEAU BORD | | KILOMETERS PER HOUR |
| 01B | | 00H01645521 | CTO TABLIER (MPH) CRUSCOTTO DASH ASSY | INSTRUMENTERHALTER BOITIER TABLEAU BORD | | MILES PER HOUR |
| 02A | | 00012152000 | TORNILLO C/RED.CRUZ 5M80X20 VITE SCREW | SCHRAUBE VIS | 1 | |
| 03A | | 00D02600631 | ARANDELA RONDELLA WASHER | SCHEIBE RONDELLE | 1 | |
| 04A | | 00H01600911 | CASQUILLO BRONZINA BUSHING | BUCHSE ENTRETOISE | 1 | |
| 05A | | 00D01500021 | PASACABLES PORTACAVI GROMMET | GUMMI PASSE-CABLE | 1 | |
| 06A | | 86137R | CTO.REENVIO RINVIO RETURN UNIT. | RETURN UNIT. RENOI DE ROUE | 1 | |
| 07A | | 00002082021 | TORNILLO 8M125X20 VITE SCREW | SCHRAUBE VIS | 1 | |
| 08A | | 00H06300791 | TORNILLO ROMPIENTE VITE SCREW | SCHRAUBE VIS | 1 | |



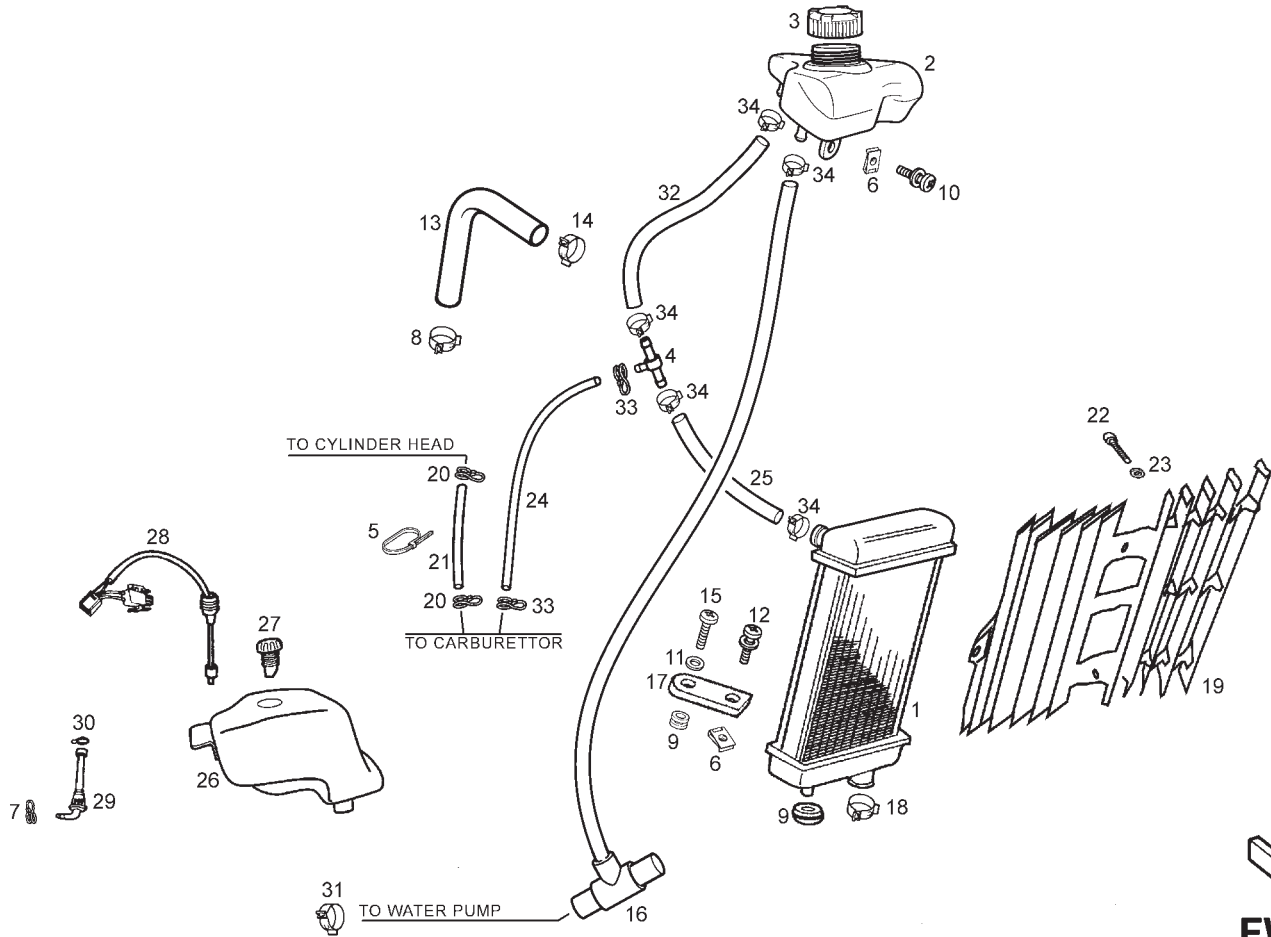
| Fig. | Ver. | COD. KOD. | DESCRIPCIÓN DENOMINAZIONE NAME | BEZEICHNUNG DESIGNATION | MOD. | NOTAS NOTES NOTA MITSCHRIFT NOTES |
|------|------|-------------|---|---|------|-----------------------------------|
| 01A | | 00H03454081 | TUBO ESCAPE E2 TUBO SCARICO EXHAUST PIPE | AUSPUFF ENSEMBLE TUBE DIECHAPPEMENT | 1 | |
| 02A | | 865177 | SORDINA SUBCOMP. SORD. EXHAUST TANK | SCHALLDAMPFER SILENCIEUX DIECHAPPEMENT | 1 | |
| 03A | | 00002062011 | TORNILLO C/ALLEN.6M100X20 VITE SCREW | SCHRAUBE VIS | 1 | |
| 04A | | 00000002825 | TORNILLO C/EXAGONAL 8M125X25 VITE SCREW | SCHRAUBE VIS | 1 | |
| 05A | | 00402080001 | ARANDELA D8 RONDELLA WASHER | SCHEIBE RONDELLE | 1 | |
| 06A | | 00023108000 | TUERCA AUTOBLOCANTE 8M125 DADO NUT | MUTTER ECROU | 1 | |
| 07A | | 00H01810391 | PROTECTOR SILENCIADOR PROTEZIONE SILENZIATORE SILENCER SHIELD | SCHALLDAEMPERSCHUTZ PROTECT. SIL. | 1 | |
| 08A | | 00D05910081 | SCTO.TORBILLO 6M100X16 VITE FISSAGGIO SCREW | SCHRAUBE VIS | 1 | |
| 09A | | 00H03404321 | JUNTA GUARNIZIONE GASKET | DICHTUNG JOINT | 1 | |
| 10A | | 00000012415 | TORNILLO VITE SCREW | SCHRAUBE VIS | 1 | |
| 11A | | 00F04201361 | ARANDELA RONDELLA WASHER | SCHEIBE RONDELLE | 1 | |



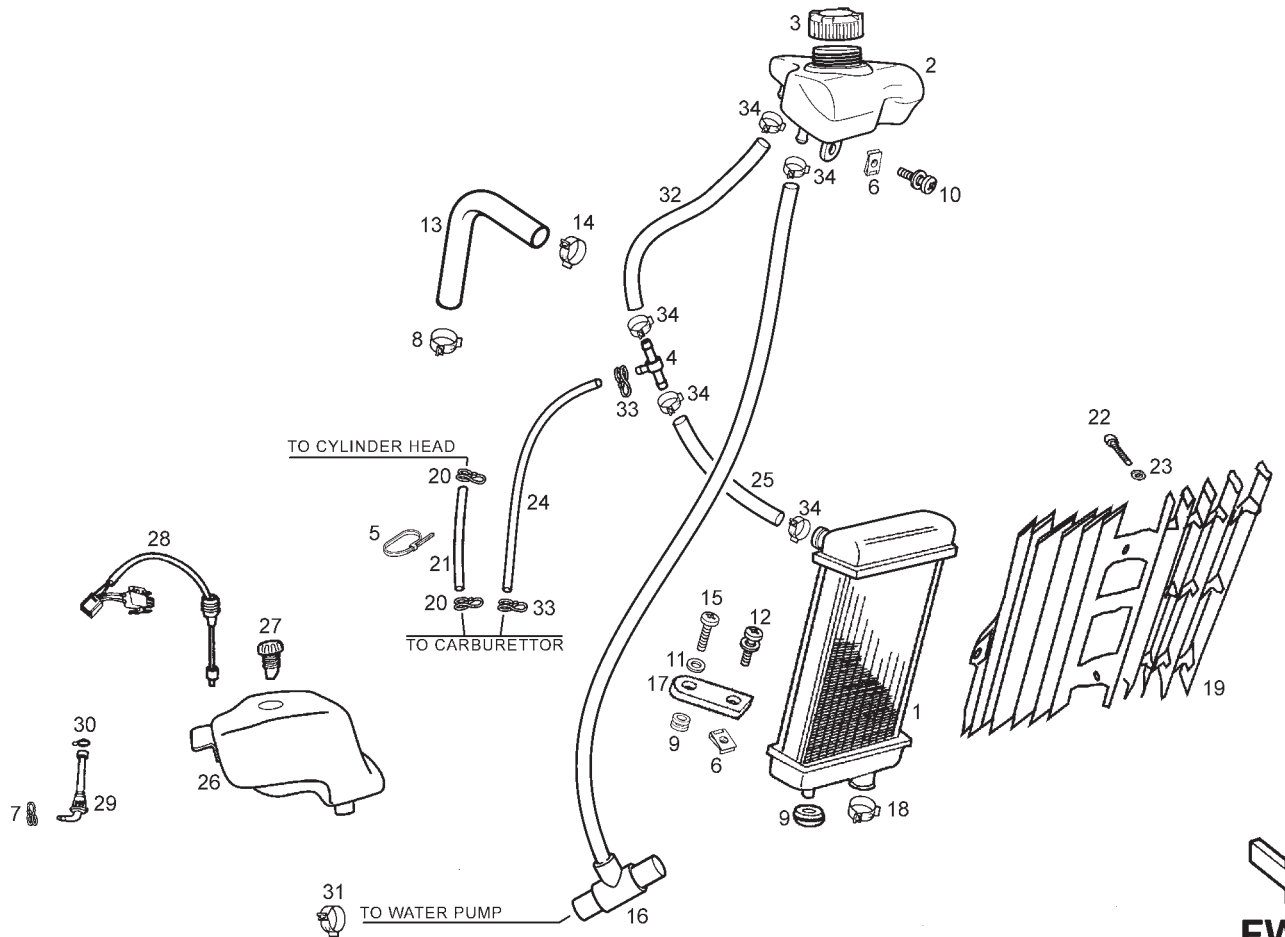
| Fig. | Ver. | COD. KOD. | DESCRIPCIÓN DENOMINAZIONE NAME | BEZEICHNUNG DESIGNATION | MOD. | NOTAS NOTES NOTA MITSCHRIFT NOTES |
|------|------|-------------|------------------------------------|-------------------------|------|-----------------------------------|
| 12A | | 00D02600631 | ARANDELA RONDELLA WASHER | SCHEIBE RONDELLE | 1 | |
| 13A | | 863693 | CASQUILLO BRONZINA BUSHING | BUCHSE ENTRETOISE | 1 | |
| 14A | | 00012081621 | TORNILLO 8M125X16 VITE SCREW | SCHRAUBE VIS | 1 | |
| 15A | | 00402080001 | ARANDELA D8 RONDELLA WASHER | SCHEIBE RONDELLE | 1 | |
| 16A | | 00023108000 | TUERCA AUTOBLOCANTE 8M125 DADO NUT | MUTTER ECROU | 1 | |



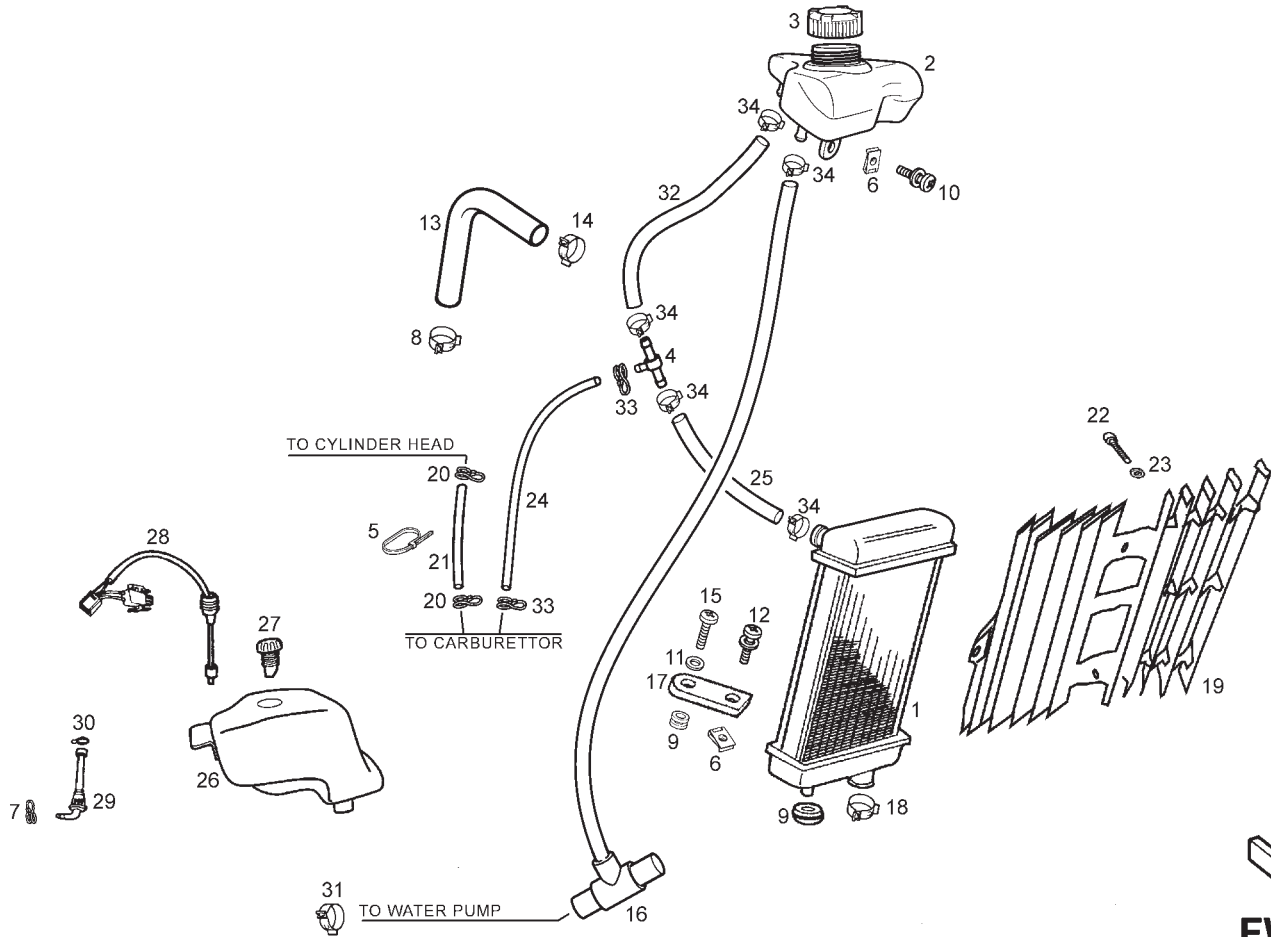
| Fig. | Ver. | COD. KOD. | DESCRIPCIÓN DENOMINAZIONE NAME | BEZEICHNUNG DESIGNATION | MOD. | NOTAS NOTES NOTA MITSCHRIFT NOTES |
|------|------|-------------|--|---|------|-----------------------------------|
| 01A | | 00H03805011 | SCTO. RADIADOR SUBRADIATORE RADIATOR ASSY. | RADIATOR ASSY. RADIATEUR | 1 | |
| 02A | | 00H03810501 | DEPOSITO AGUA RADIADOR SERBATOIO ACQUA RADIATORE WATER TANK | WASSERBEHALTER VASE DI EXPANSION | 1 | |
| 03A | | 00H03802472 | CTO.TAPON DEPOSITO AGUA TAPPO RADIATORE/SERBATOIO WATER RESERVOIR/RAD CAP ASSY | KUEHLERDECKEL BOUCHON DE RESERVOIR D,EAU | 1 | |
| 04A | | 862541 | RACORD «T» RACCORDO RACORD | RACORD RACCORD | 1 | |
| 05A | | 00D00900531 | BRIDA 200 X 3,6 FLANGIA UNIONE CAVI BLACK CABLE TIE | KABELBINDER COLLIER | 1 | |
| 06A | | 00D01501371 | TUERCA FIJ. D6 DADO NUT | MUTTER ECROU | 1 | |
| 07A | | 00F03710131 | ABRAZADERA ELASTICA FASCETTA CLAMP | FLANGE BRIDE | 1 | |
| 08A | | 00H03802751 | ABRAZADERA 24/8W4 FASCETTA CLAMP | BEF. SCHELLE COLLIER | 1 | |
| 09A | | 00008915020 | PROTECCION CABLES PROTEZIONE CAVI RUBBER,CABLE PROTECTOR | GUMMI PASSE-CABLE | 1 | |
| 10A | | 00H05900021 | SCTO TORNILLO 6M100X16 VITE SCREW | SCHRAUBE VIS | 1 | |



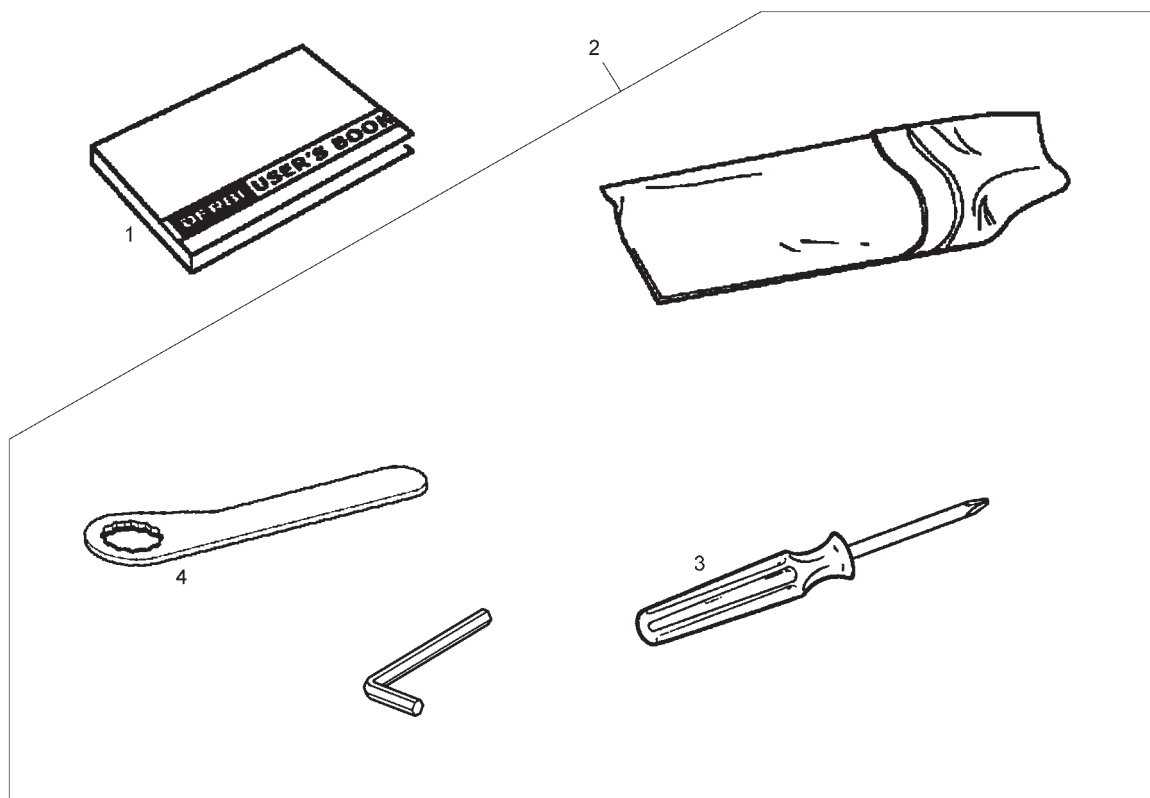
| Fig. | Ver. | COD. KOD. | DESCRIPCIÓN DENOMINAZIONE NAME | BEZEICHNUNG DESIGNATION | MOD. | NOTAS NOTES NOTA MITSCHRIFT NOTES |
|------|------|-------------|---|---|------|-----------------------------------|
| 11A | | 00D01500552 | CAZOLETA SCADELLINO FISSAGGIO HOUSING EXHAUST PIPE SUPPORT | ABDECKSCHEIBE CUVETTE | 1 | |
| 12A | | 00002061011 | SCTO TORNILLO 6M100X10 VITE SCREW | SCHRAUBE VIS | 1 | |
| 13A | | 00H03808021 | TUBO CULATA-RADIADOR TUBO TESTATA-RACCORDO TERMOCON CYLINDER HEAD PIPE-TERMOCONTAC | WASSERSCHLAUCH TUBE | 1 | |
| 14A | | 00H03801751 | ABRAZADERA 21/8W4 FLANGIA FISSAGGIO SECURING CLAMP | BEF.-SHELLE COLLIER | 1 | |
| 15A | | 00000004612 | TORNILLO C/RED CRUZ 6M100X12 VITE SCREW | SCHRAUBE VIS | 1 | |
| 16A | | 862493 | TUBO RADIADOR A BOMBA/DEPOSITO TUBO REFRIGERAZIONE POMPA-RADI RADIATOR PUMP RUBBER TUBE | KUHLMITTELSCHLAUCH PUMPE K TUBE POMPE-RADIATEUR | 1 | |
| 17A | | 00G02200692 | OREJA SUP.SOPORTE RADIADOR PIASTRA SUPPORTO SUPERIORE UPPER RADIATOR SUPPORT | OESE KUEHLERBLOCK OREILLE SUPERIEURE SUPPORT RAD | 1 | |
| 18A | | 00H03801751 | ABRAZADERA 21/8 W4 FASCETTA CLAMP | FLANGE BRIDE | 1 | |
| 19A | | 00H03805301 | REJILLA RADIADOR GRIGLIA RADIATORE RADIATOR GRID | RADIATOR RADIATEUR | 1 | |
| 20A | | 00H00400501 | ABRAZADERA ELASTICA 7,8-8,3 TUBO TUBE | SCHLAUCH TUYAU | 1 | |



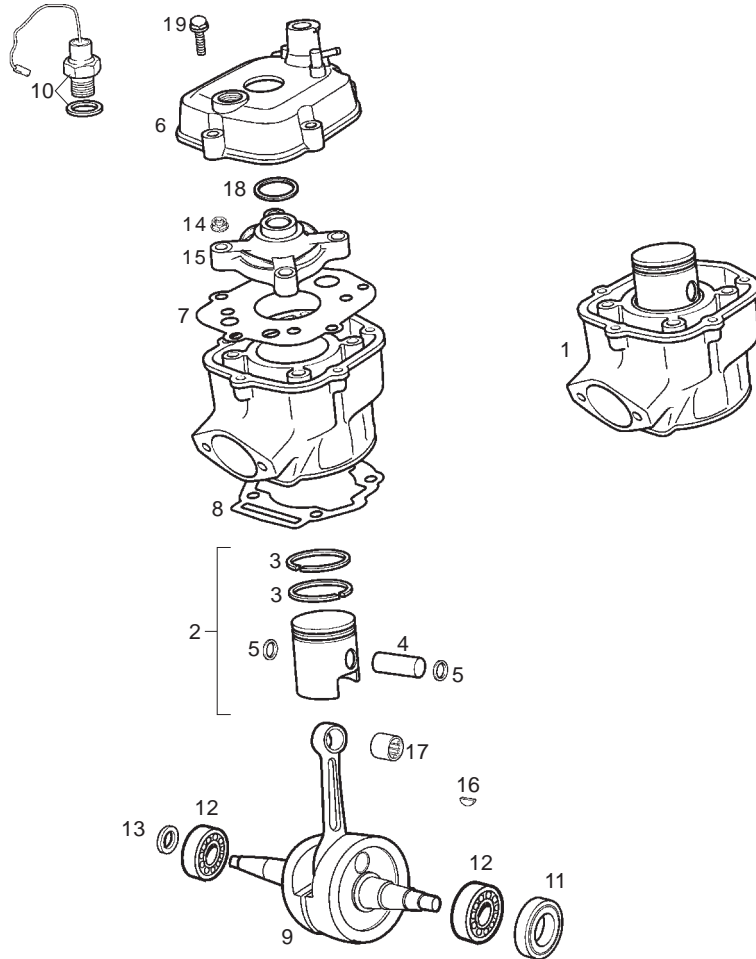
| Fig. | Ver. | COD. KOD. | DESCRIPCIÓN DENOMINAZIONE NAME | BEZEICHNUNG DESIGNATION | MOD. | NOTAS NOTES NOTA MITSCHRIFT NOTES |
|------|------|-------------|---|--|------|-----------------------------------|
| 21A | | 00H03801961 | TUBO CARBURADOR A RACORD CULATA FASCETTA CLAMP | FLANGE BRIDE | 1 | |
| 22A | | 00011141300 | TORNILLO AUT.C/CR.NG.4,8X13 VITE SCREW | SCHRAUBE VIS | 1 | |
| 23A | | 00D02600631 | ARANDELA RONDELLA WASHER | SCHEIBE RONDELLE | 1 | |
| 24A | | 862543 | TUBO RACORD A CARBURADOR TUBO TUBE | SCHLAUCH TUYAU | 1 | |
| 25A | | 862544 | TUBO RACORD A RADIADOR TUBO TUBE | SCHLAUCH TUYAU | 1 | |
| 26A | | 00H03704081 | SCTO.DEPOSITO ACEITE SUBSERBATOIO OLIO SE OIL, TANK | OILTANK RESERVOIR D,HUILE | 1 | |
| 27A | | 00F03710241 | CTO.TAPON DEPOSITO ACEITE TAPPO SERBATOIO OLIO OIL RESERVOIR FILLER PLUG ASSY | STOPFEN OELTANK ENS. BOUCHON RESERV.HUILE S | 1 | |
| 28A | | 00H03703051 | CTO. INDICADOR NIVEL ACEITE TAPPO SERBATOIO OLIO OIL RESERVOIR FILLER PLUG ASSY | OLSTANDSGEBER NIVEAU D#HUILE | 1 | |
| 29A | | 00H03701411 | CTO.FILTRO ACEITE. FILTRO OLIO BY-PAS OIL FILTER | FILTER FILTRE A HUILE | 1 | |
| 30A | | 00G00400501 | ABRAZADERA FIJ. GRIFO FASCETTA ELASTICA CLAMP | BEF.-SCHELLE ENTRETOISE | 1 | |



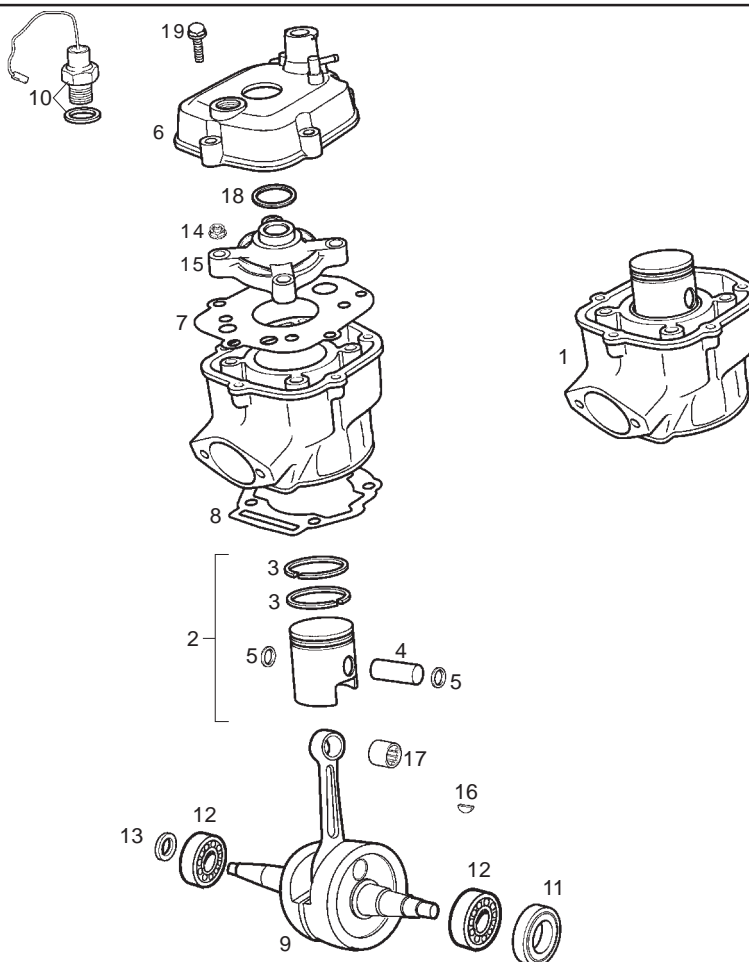
| Fig. | Ver. | COD. KOD. | DESCRIPCIÓN DENOMINAZIONE NAME | BEZEICHNUNG DESIGNATION | MOD. | NOTAS NOTES NOTA MITSCHRIFT NOTES |
|------|------|-------------|--|-------------------------|------|-----------------------------------|
| 31A | | 00H03801751 | ABRAZADERA 21/8 W4 FASCETTA CLAMP | FLANGE BRIDE | 1 | |
| 32A | | 862542 | TUBO DEPOSITO A RACORD TUBO TUBE | SCHLAUCH TUYAU | 1 | |
| 33A | | 00H00400501 | ABRAZADERA ELASTICA FASCETTA CLAMP | FLANGE BRIDE | 1 | |
| 34A | | 00G03801701 | ABRAZADERA 13/8 W4 FASCETTA CLAMP | FLANGE BRIDE | 1 | |



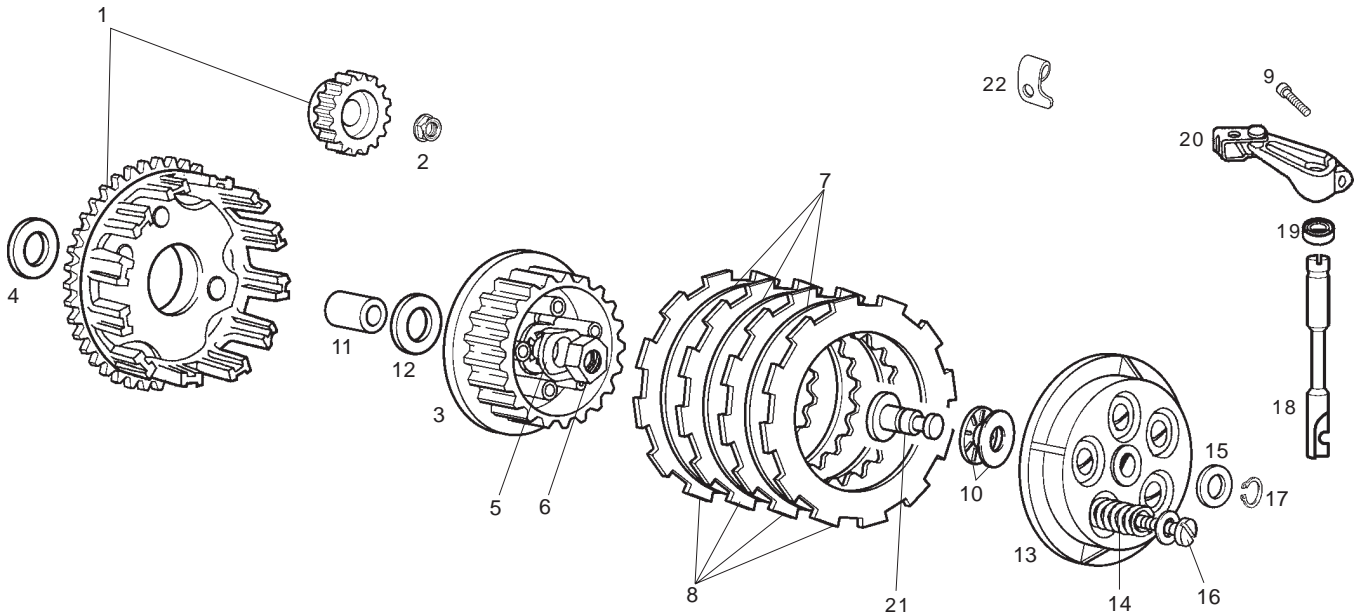
| Fig. | Ver. | COD. KOD. | DESCRIPCIÓN DENOMINAZIONE NAME | BEZEICHNUNG DESIGNATION | MOD. | NOTAS NOTES NOTA MITSCHRIFT NOTES |
|------|------|-------------|---|--|------|-----------------------------------|
| 01A | | 865230 | MANUAL INSTRUCCIONES LIBRETTI DI ISTRUZIONI USER'S BOOK | BEDIENUNGSANLEITUNG MANUEL D'INSTRUCTIONS | 1 | |
| 02A | | 00H05101561 | CTO BOLSA HERRAMIENTAS SACCO FERRI TOOL POUCH | WERKZEUGTASCHE TROUSSE A OUTILS | 1 | |
| 03A | | 00005551290 | DESTORNILLADOR. CACCIAVITE SCREW DRIVER | SCHRAUBENZIEHER TOURNEVIS | 1 | |
| 04A | | 00H05101011 | SCTO.LLAVE BUJIA SUBCHIAVE CANDELA SE SPARK PLUG | ZUND KERZENSCHLUSSEL CLE A BOUGIE | 1 | |



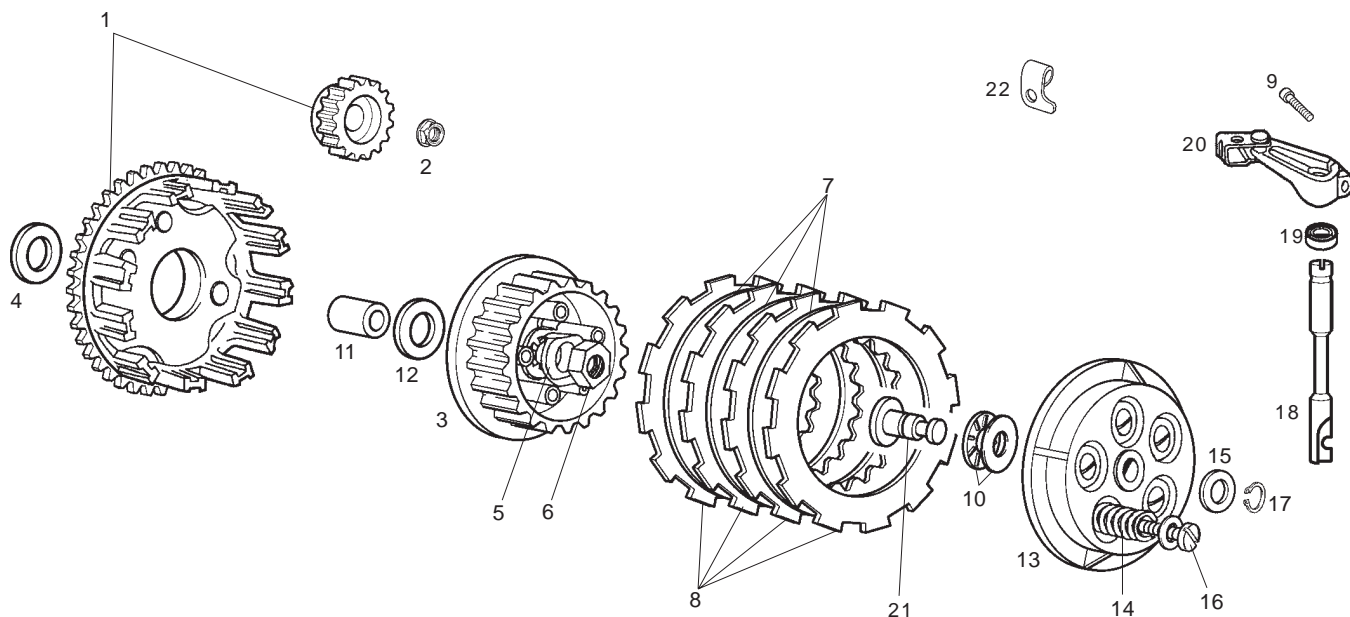
| Fig. | Ver. | COD. KOD. | DESCRIPCIÓN DENOMINAZIONE NAME | BEZEICHNUNG DESIGNATION | MOD. | NOTAS NOTES NOTA MITSCHRIFT NOTES |
|------|------|------------|--|---|------|-----------------------------------|
| 01A | | 847508 | CTO CILINDRO PISTON COMP.CILINDRO PISTONE CYLINDER PISTON ASSEMBLY | ZYLINDER UND KOLBEN CYLINDRE ET PISTON COMPLET | 1 | |
| 02A | | 8472625001 | CTO PISTON (A) PISTONE (A) PISTON (A) | KOLBEN KOMPL.(A) PISTON-COMPLET (A) | 1 | |
| 02B | | 8472625002 | CTO PISTON (B) PISTONE (B) PISTON (B) | KOLBEN KOMPL. (B) PISTON-COMPLET (B) | 1 | |
| 02C | | 8472625003 | CTO PISTON (C) PISTONE (C) PISTON (C) | KOLBEN KOMPL. (C) PISTON-COMPLET (C) | 1 | |
| 02D | | 8472625004 | CTO PISTON (D) PISTONE (D) PISTON (D) | KOLBEN KOMPL. (D) PISTON-COMPLET (D) | 1 | |
| 03A | | 847006 | ARO PISTON.SENDA SEGMENTO PISTONE PISTON RING | KOLBENDICHTRING SEGMENT DE PISTON | 1 | |
| 04A | | 847012 | BULON PISTON SPINOTTO PISTONE PISTON PIN | KOLBENBOLZEN AXE PISTON | 1 | |
| 05A | | 847178 | ANILLO BULON SEGMENTO SPINOTTO CIRCLIP, PISTON PIN | SICHERUNGSRING CLIPS AXE PISTON | 1 | |
| 06A | | CM151902 | TAPA CULATIN COPERCHIO TESTA CYLINDER HEAD COVER | ZYLINDERKOPF DECKEL COUVERCLE CULASSE | 1 | |
| 07A | | 847009 | JUNTA CULATA CILINDRO GUARNIZIONE TESTA GASKET CYLINDER HEAD | ZYLINDERKOPFDICHTUNG JOINT DE CULASSE | 1 | |
| 08A | | 847014 | JUNTA CILINDRO GUARNIZIONE CILINDRO GASKET, CYLINDER | ZYLINDERPUBDICHTUNG JOINT DE CYLINDRE | 1 | |



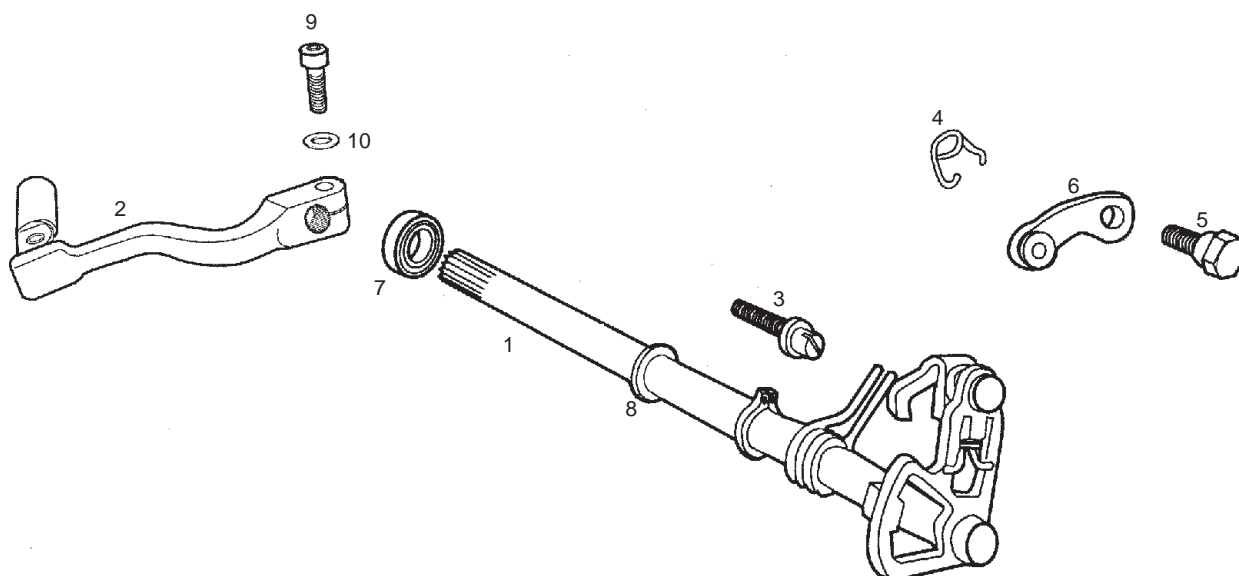
| Fig. | Ver. | COD. KOD. | DESCRIPCIÓN DENOMINAZIONE NAME | BEZEICHUNG DESIGNATION | MOD. | NOTAS NOTES NOTA MITSCHRIFT NOTES |
|------|------|-----------|---|--|------|-----------------------------------|
| 09A | | 847026 | CTO CIGÜEÑAL-BIELA ALBERO MOTORE CRANK SHAFT ROD | KURBELWELLE VILBEBREQUIN COMPLET | 1 | |
| 10A | | 847010 | TERMOCONTACTO TERMOCONTATTO TERMOCONTACT | THERMOKONTAKT TERMOCONTATTO | 1 | |
| 11A | | 847020 | RETEN CIGUEÑAL GIUNTO TENUTA SEAL | DICHTRING JOINT | 1 | |
| 12A | | 847172 | COJINETE CUSCINETTO BEARING | LAGER COUSSINET | 1 | |
| 13A | | 847020 | RETEN CIGUEÑAL GIUNTO TENUTA SEAL | DICHTRING JOINT | 1 | |
| 14A | | 436947 | TUERCA EXAGONAL C/BRIDA 7M100 DADO NUT | MUTTER ECROU | 1 | |
| 15A | | 847008 | CULATIN TESTA CYLINDER HEAD | ZYLINDERKOPF CULASSE | 1 | |
| 16A | | 847215 | CHAVETA VOLANTE MAGNETICO SPINA KEY | KEIL CLAVETTE | 1 | |
| 17A | | 847529 | JAULA PIE BIELA GABBIA PIEDE BIELLA BEARING, PISTON PIN | NADELLAGER CAGE A AIGUILLE DE PIED DE | 1 | |
| 18A | | 847007 | JUNTA TORICA CULATIN GUARNIZIONE TESTA GASKET CYLINDER HEAD | ZYLINDERKOPFDICHTUNG JOINT DE CULASSE | 1 | |
| 19A | | CM149804 | TORNILLO FIJACION TAPA 6X25 VITE SCREW | SCHRAUBE VIS | 1 | |



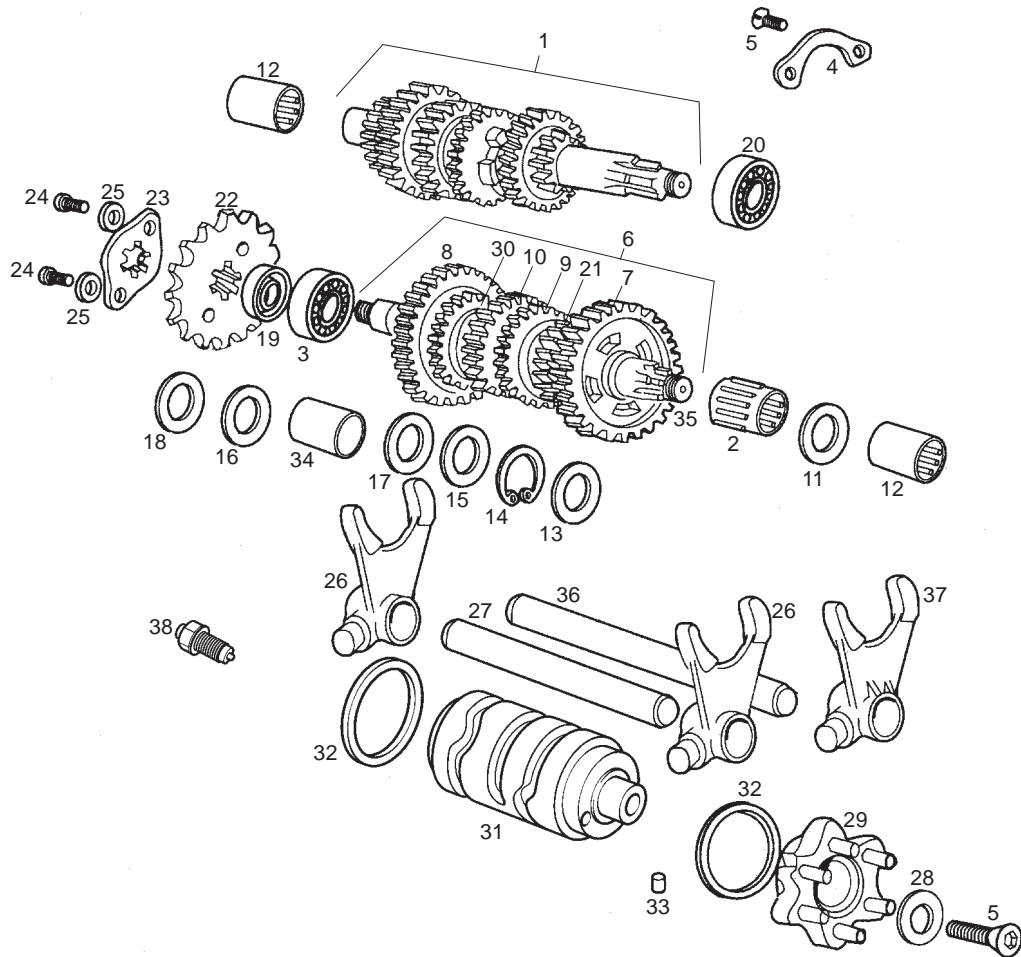
| Fig. | Ver. | COD. KOD. | DESCRIPCIÓN DENOMINAZIONE NAME | BEZEICHNUNG DESIGNATION | MOD. | NOTAS NOTES NOTA MITSCHRIFT NOTES |
|------|------|-----------|--|---|------|-----------------------------------|
| 01A | | 847098 | CTO. RUEDA AMORT. EMBRAGUE RUOTA FRIZIONE CLUTCH HOUSING AND DAMPER | KUPPLUNGSRAD CLOCHE EMBRAYAGE AVEC PIGNO | 1 | |
| 02A | | 847217 | TUERCA C/BASE 10M100 DADO NUT | MUTTER ECROU | 1 | |
| 03A | | 847045 | CAMPANA CONDUCTIDA CAMPANA GUIDATA CLUTCH HUB. | GLOCKE TAMBOUR EMBRAYAGE | 1 | |
| 04A | | 847218 | ARANDELA PROTEC.INT.BUJE EMBRAG. RONDELLA WASHER | SCHEIBE RONDELLE | 1 | |
| 05A | | 847220 | PRECTO.TCA.EMBRG. PIASTRINA DADO FRIZIONE WASHER, RETAINING | SICHERUNG FREIN DIECROU DIEMBRAYAGE | 1 | |
| 06A | | 847221 | TUERCA EMBRAGUE DADO NUT | MUTTER ECROU | 1 | |
| 07A | | 847043 | DISCO CONDUCTIDO DISCO GUIDATO DRIVEN CLUTCH PLATE | SCHEIBE DISQUE EMBRAYAGE LISSE | 1 | |
| 08A | | 847044 | SCTO.DISCO CONDUCTOR SUBDISCO GUIDA CLUTCH PLATE | KUPPLUNGSRELAG DISQUE EMBRAYAGE GARNI | 1 | |
| 09A | | 847179 | TORNILLO 6M100X20 VITE SCREW | SCHRAUBE VIS | 1 | |
| 10A | | 82835R | RODAMTO.AXIAL.CREMALL.EMBRG. CUSCINETTO SFERE RADIALE CREMA BALL BEARING | LAGER ROULEMENT AXIAL | 1 | |
| 11A | | 847040 | CASQUILLO BUJE EMBRAGUE GHIERA BRONZINA FRIZIONE BUSHING | FUHRUNGSBUCHSE GABELSCHENK ENTRETOISE | 1 | |



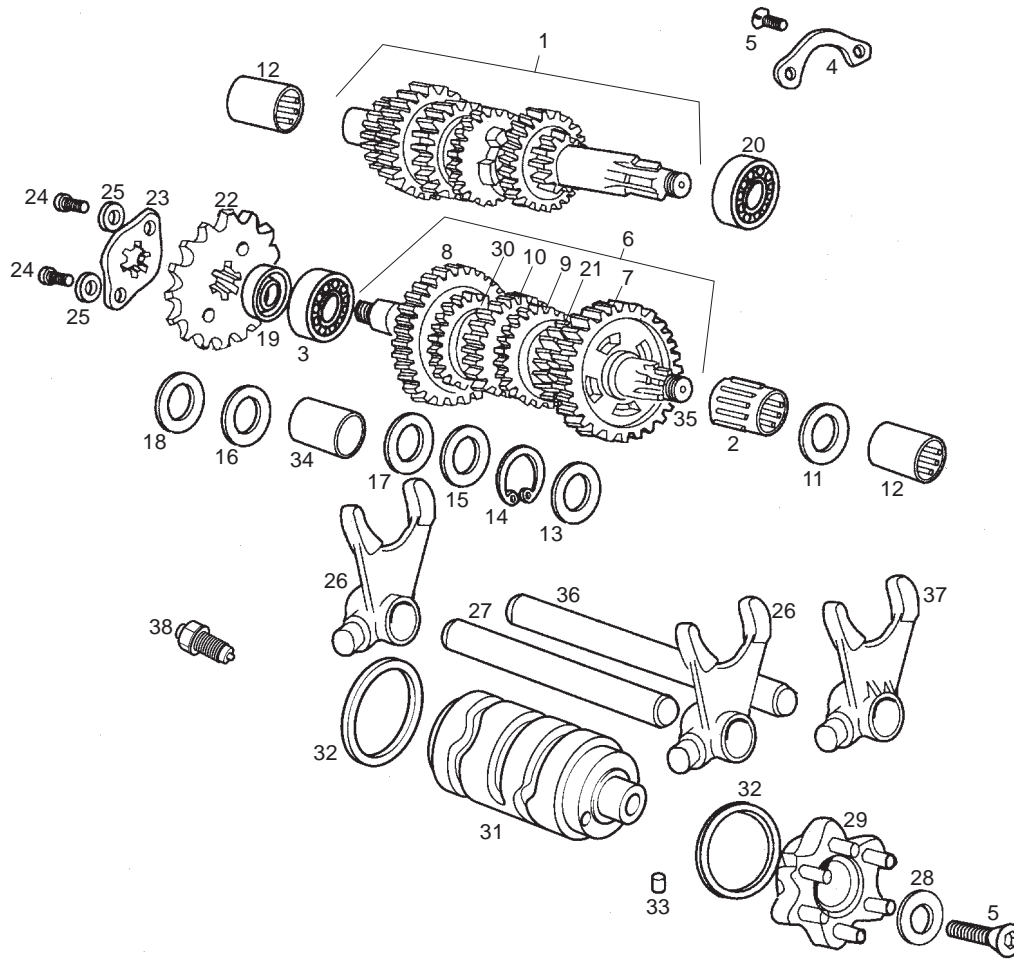
| Fig. | Ver. | COD. KOD. | DESCRIPCIÓN DENOMINAZIONE NAME | BEZEICHUNG DESIGNATION | MOD. | NOTAS NOTES NOTA MITSCHRIFT NOTES |
|------|------|-----------|--|--|------|-----------------------------------|
| 12A | | 847042 | ARANDELA ROZAMTO.CAMPANA. RONDELLA WASHER | SCHEIBE RONDELLE | 1 | |
| 13A | | 847046 | TAPA CIERRE EMBRAG COPERCHIO CHIUSURA FRIZIONE G. OUTER CLUTCH PLATE | KUPPLINGS-VERSCHLUSSDECKEL PLATEAU EXTERIEUR D,EMBRYA | 1 | |
| 14A | | 847047 | MUELLE REGULAC. EMBRAGUE MOLLA REGOLAZIONE FRIZIONE CLUTCH SPRING | STELLFEDER RESORT REGLAGE | 1 | |
| 15A | | 847224 | ARANDELA TOPE PIÑON INTERMD. RONDELLA WASHER | SCHEIBE RONDELLE | 1 | |
| 16A | | 847048 | SCTO. TORNILLO 5M80X35 VITE SCREW | SCHRAUBE VIS | 1 | |
| 17A | | 847225 | ANILLO SEGURIDAD ANELLO SICUREZZA CIRCLIP | SEEGERRING CIRCLIP | 1 | |
| 18A | | 847083 | EJE DESEMBRAGUE ASSE DISINNESCO FRIZIONE CLUTCH SHAFT | KUPPLUNGSACHSE AXE | 1 | |
| 19A | | 847075 | RETEN EJE MANDO GIUNTO TENUTA SEAL | DICHTRING JOINT | 1 | |
| 20A | | CM151201 | SCTO.PALANCA DESEMBRAGUE SUBLEVA DISINNESCO F CLUTCH LEVER | KUPPLUNGSHEBEL LEVIER EMBRAYAGE | 1 | |
| 21A | | 847223 | DESPLAZABLE EMBRAGUE ASSE FRIZIONE CLUTCH SHAFT | KUPPLUNGSACHSE AXE | 1 | |
| 22A | | 847090 | PLACA TENSOR CABLE EMBRAGUE PIASTRINA PLATE | PLATTE PLAQUE | 1 | |



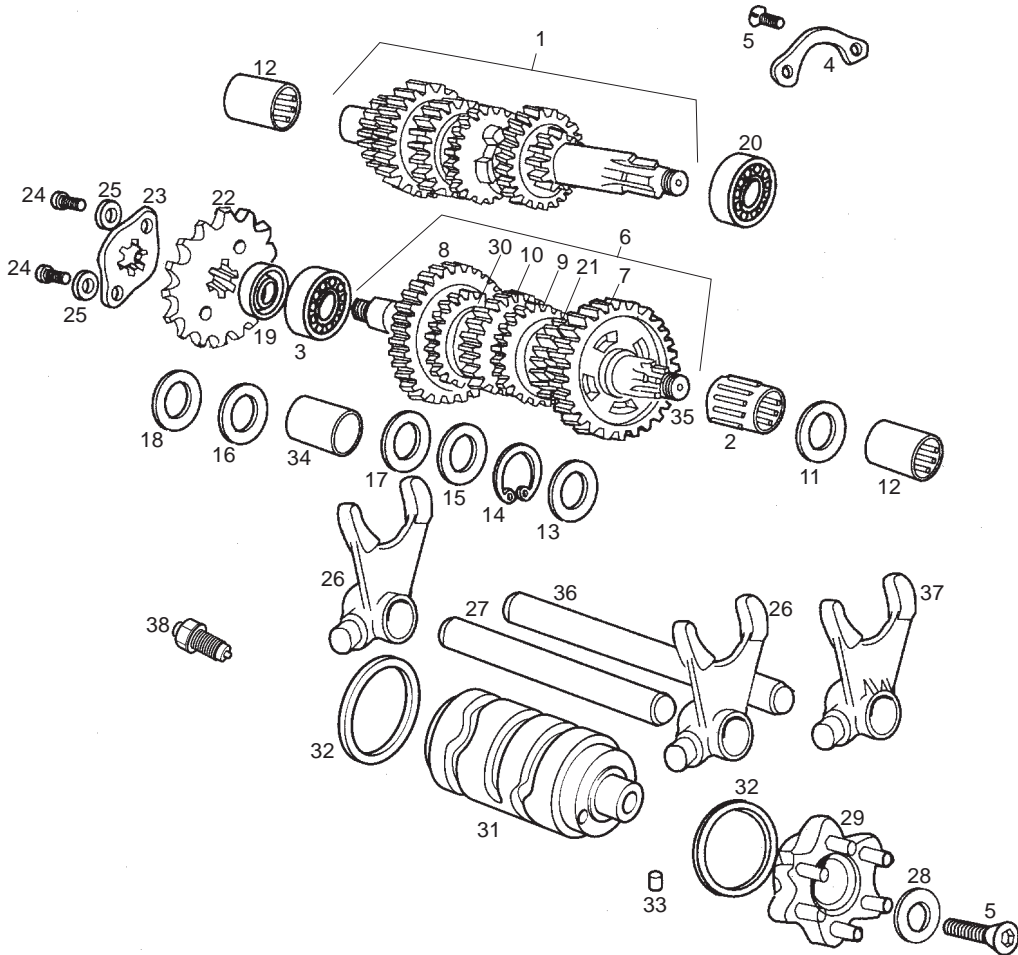
| Fig. | Ver. | COD. KOD. | DESCRIPCIÓN DENOMINAZIONE NAME | BEZEICHNUNG DESIGNATION | MOD. | NOTAS NOTES NOTA MITSCHRIFT NOTES |
|------|------|--------------|---|---|------|---|
| 01A | | 847236 | EJE SELECTOR SUBASSE SELETTORE S-ASSY. SELECTOR SHAFT | SCHALTACHSE S-ENSEMBLE AXE SELECTEUR | 1 | |
| 02A | | 00H02703421 | CTO. PALANCA CAMBIO LEVA CAMBIO GEARSHIFT ASSY. | GRUPPE GANGSCHALTHEBEL PEDALE DE SELECTEUR | 1 | |
| 03A | | 847073 | ESPARRAGO MUELLE SELECTOR BULLONE MOLLA SELETTORE SCREW, SELECTOR SPRING ADJ. | FEDERSTIFT AXE EXCENTRIQUE | 1 | |
| 04A | | 847069 | MUELLE FIJ.MARCHAS. MOLLA FISSAGGIO MARCE GEAR FIXING SPARING | BEF.-FEDER RESSORT | 1 | |
| 05A | | 847070 | TORNILLO GUIA FIJ.MARCHAS VITE SCREW | SCHRAUBE VIS | 1 | |
| 06A | | 847068 | SCTO.PALANCA FIJ.MARCHAS. SUBLEVA FISSAGGIO MA LEVER FIXING GEARS | GANSCHALTHEEEL LEVIER FIXATION PIGNONS | 1 | |
| 07A | | 847075 | RETEN EJE MANDO RICHIAMO ASSE COMANDO SELETTOR OIL SEAL, SELECTOR SHAFT | SIMMERRING JOINT ANTI-FUITE | 1 | |
| 08A | | 847228 | ARANDELA SEGURO TAMBOR RONDELLA WASHER | SCHEIBE RONDELLE | 1 | |
| 09A | | 00002062511 | TORNILLO 6M100X25 VITE SCREW | SCHRAUBE VIS | 1 | |
| 10A | | 00442060002 | ARANDELA D.6 RONDELLA WASHER | SCHEIBE RONDELLE | 1 | |



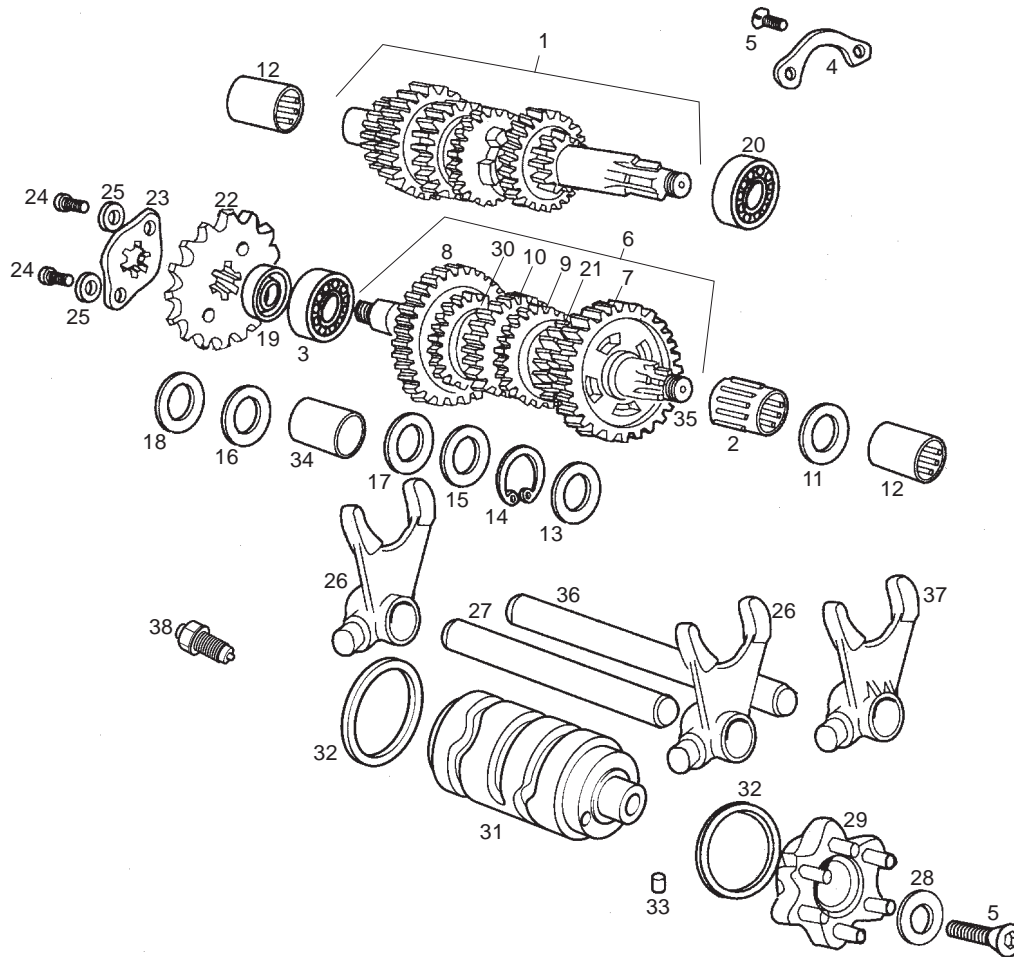
| Fig. | Ver. | COD. KOD. | DESCRIPCIÓN DENOMINAZIONE NAME | BEZEICHUNG DESIGNATION | MOD. | NOTAS NOTES NOTA MITSCHRIFT NOTES |
|------|------|-----------|--|---|------|-----------------------------------|
| 01A | | 847027 | SCTO. EJE PRIMARIO 6V SUBASSE PRIMARIO DRIVE SHAFT. | PRIMARHSE AXE PRIMAIRE | 1 | |
| 02A | | 847544 | CORONA AGUJAS PIÑON CORONA RULLINI PIGNONE NEEDLE BEARING | BADELLGER ROULEMENT AIGUILLES | 1 | |
| 03A | | 847086 | COJINETE CUSCINETTO BEARING | LAGER COUSSINET | 1 | |
| 04A | | 847021 | PRECINTO COJINETE EJE PRIMARIO PIASTRINA CUSCINETTO ASSE PRIM PLATE POSITION BALL BEARINGS | KUGELLEGERPRIMDRACHSE BUTEE DE ROULEMENT | 1 | |
| 05A | | 847210 | TORNILLO AV.ALL.5M80X10 VITE SCREW | SCHRAUBE VIS | 1 | |
| 06A | | 847028 | CTO. EJE SECUNDARIO 6V ASSE SECONDARIO OUTPUT SHAFT | SEKUNDRARACHSE AXE SECONDAIRE MONTE COMPLE | 1 | |
| 07A | | 847153 | PIÑON SECUNDARIO I Z-34 PIGNONE GEAR | RITZEL PIGNON | 1 | |
| 08A | | 847157 | PIÑON SECUNDARIO II Z-30 PIGNONE GEAR | RITZEL PIGNON | 1 | |
| 09A | | 847155 | PIÑON SECUNDARIO III Z-27 PIGNONE GEAR | RITZEL PIGNON | 1 | |
| 10A | | 847156 | PIÑON SECUNDARIO IV Z-24 PIGNONE GEAR | RITZEL PIGNON | 1 | |
| 11A | | 847549 | ARANDELA REGLAJE EJE SECUNDARIO RONDELLA WASHER | SCHEIBE RONDELLE | 1 | |



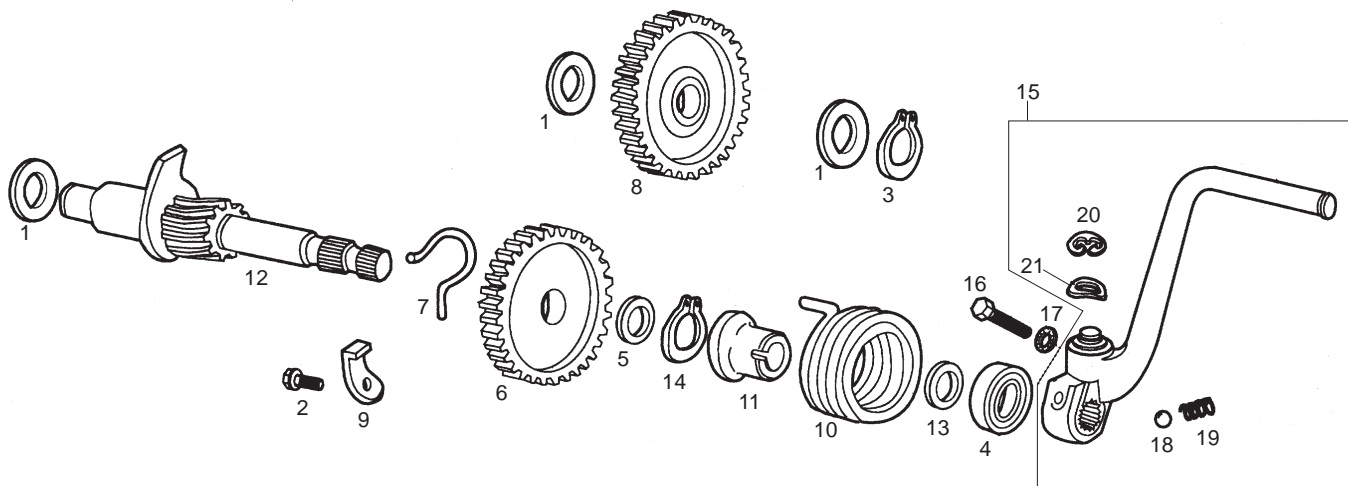
| Fig. | Ver. | COD. KOD. | DESCRIPCIÓN DENOMINAZIONE NAME | BEZEICHUNG DESIGNATION | MOD. | NOTAS NOTES NOTA MITSCHRIFT NOTES |
|------|------|-------------|---|----------------------------|------|-----------------------------------|
| 12A | | 847211 | CASQUILLO AGUJAS GHIERA RULLINI NEEDLE BEARING | NADELLGER CAGE A AIGUILLES | 1 | |
| 13A | | 847550 | ARANDELA ROZAMTO.PIÑON SECUND.I RONDELLA WASHER | SCHEIBE RONDELLE | 1 | |
| 14A | | 847542 | ANILLO SEGURIDAD ANELLO SICUREZZA CIRCLIP | SEEGERRING CIRCLIP | 1 | |
| 15A | | 847548 | ARANDELA RONDELLA WASHER | SCHEIBE RONDELLE | 1 | |
| 16A | | 847541 | ARANDELA RONDELLA WASHER | SCHEIBE RONDELLE | 1 | |
| 17A | | 847546 | ARANDELA RONDELLA WASHER | SCHEIBE RONDELLE | 1 | |
| 18A | | 847545 | ARANDELA RONDELLA WASHER | SCHEIBE RONDELLE | 1 | |
| 19A | | 847019 | RETEN.PIÑON SALIDA CAMBIO GIUNTO TENUTA SEAL | DICHTRING JOINT | 1 | |
| 20A | | 847209 | COJINETE CUSCINETTO BEARING | LAGER COUSSINET | 1 | |
| 21A | | 847154 | PIÑON SECUNDARIO V Z-23 PIGNONE GEAR | RITZEL PIGNON | 1 | |
| 22A | | 00H02813371 | PIÑON SALIDA CAMBIO Z-11 PIGNONE GEAR | RITZEL PIGNON | 1 | |



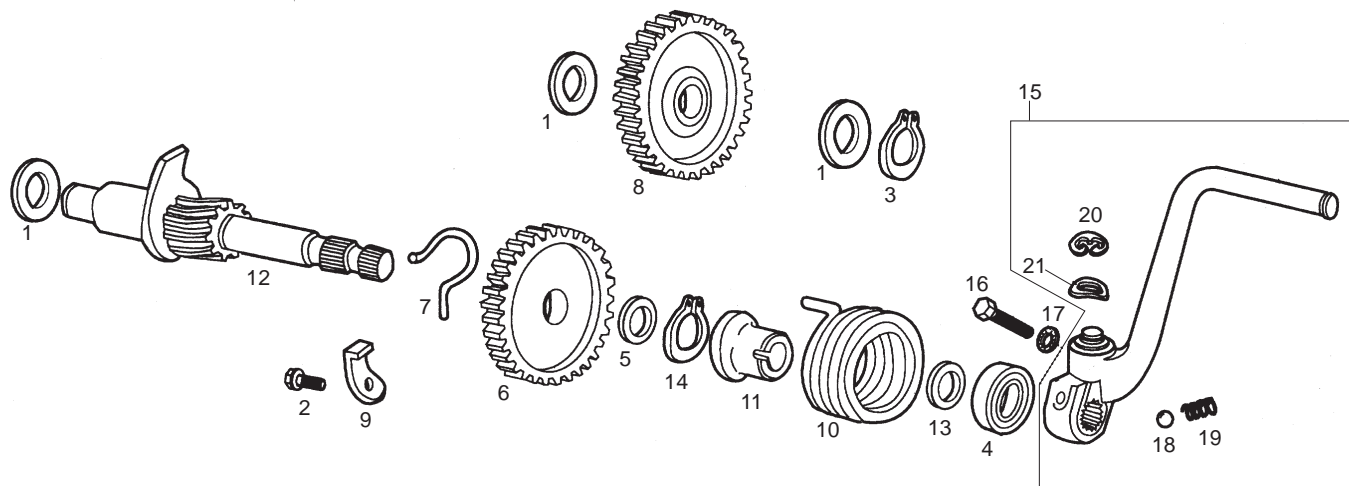
| Fig. | Ver. | COD. KOD. | DESCRIPCIÓN DENOMINAZIONE NAME | BEZEICHUNG DESIGNATION | MOD. | NOTAS NOTES NOTA MITSCHRIFT NOTES |
|------|------|-------------|--|---------------------------------------|------|-----------------------------------|
| 23A | | 00H02800421 | PRECINTO PIÑON SALIDA CAMBIO PIASTRINA PIGNONE USCITA CAMBI LOCKWASHER, COUNTERSHAFT SPROK | HALTER RONDELLE DE SECURITE SBV. | 1 | |
| 24A | | 00002041050 | TORNILLO ALLEN 4M70X10 VITE SCREW | SCHRAUBE VIS | 1 | |
| 25A | | 00000031040 | ARANDELA PLANA D4,3 RONDELLA WASHER | SCHEIBE RONDELLE | 1 | |
| 26A | | 847032 | HORQUILLA SECUNDARIA FORCELLA SECONDARIA FORK OUTPUT | SHALTGABEL FOURCHETTE | 1 | |
| 27A | | 847030 | EJE HORQUILLA SECUNDARIA ASSE FORCELLA SECONDARIA SECONDARY FORK SHAFT | GABEL SEKUNDARACHSE AXE | 1 | |
| 28A | | 847214 | ARANDELA PIÑ.CONTR/MAND.TAMBOR RONDELLA WASHER | SCHEIBE RONDELLE | 1 | |
| 29A | | 847038 | CABEZA MANDO TAMBOR. TESTA COMANDO TAMBORO DRUM HEAD | ESTEUERKOPF TETE TAMBOUR SELECTEUR | 1 | |
| 30A | | 847158 | PIÑON SECUNDARIO VI Z-22 PIGNONE GEAR | RITZEL PIGNON | 1 | |
| 31A | | 847081 | SCTO. TAMBOR DISTRIBUIDOR TAMBORO DISTRIBUTORE SHIFT DRUM | VERTEILERTROMMEL BARILLET | 1 | |
| 32A | | 847036 | ARANDELA TAMBOR DISTRIBUIDOR RONDELLA WASHER | SCHEIBE RONDELLE | 1 | |
| 33A | | 847213 | RODILLO.4X6. RULLO ROLLER | WALZE FUR SCHA LTUNG GALETS | 1 | |



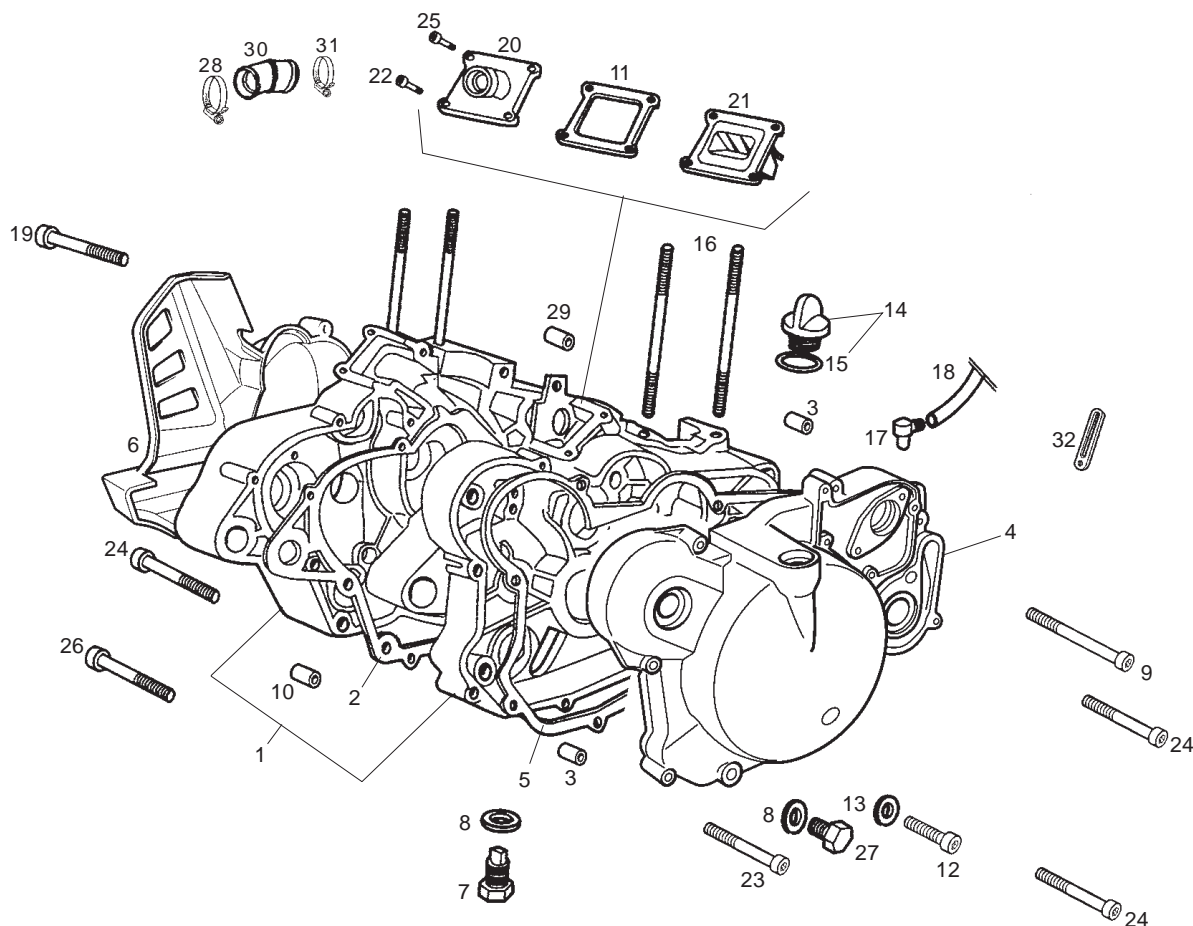
| Fig. | Ver. | COD. KOD. | DESCRIPCIÓN DENOMINAZIONE NAME | BEZEICHNUNG DESIGNATION | MOD. | NOTAS NOTES NOTA MITSCHRIFT NOTES |
|------|------|--------------|---|--|------|---|
| 34A | | 847547 | CASQUILLO PIÑON SECUND.II. GHIERA PIGNONE SECONDARIO .II. BUSHING | FUHRUNGSBUCHSE GABELSCHENK ENTRETOISE | 1 | |
| 35A | | 847159 | SCTO EJE SECUNDARIO 6V. ASSE SECONDARIO OUTPUT SHAFT | SEKUNDARACHSE AXE SECONDAIRE MONTE COMPLE | 1 | |
| 36A | | 847029 | EJE HORQUILLA PRIMARIA. ASSE FORCELLA PRIMARIA PRIMARY FORK SHAFT | GABEL PRIMARACHSE AXE | 1 | |
| 37A | | 847031 | HORQUILLA PRIMARIA V-VI. FORCELLA PRIMARIA FORK OUTPUT | SHALTGABEL FOURCHETTE | 1 | |
| 38A | | 847018 | CONTACTO INTERR. PUNTO MUERTO INTERRUPTORE SWITCH | SCHALTER INTERRUPTEUR | 1 | |



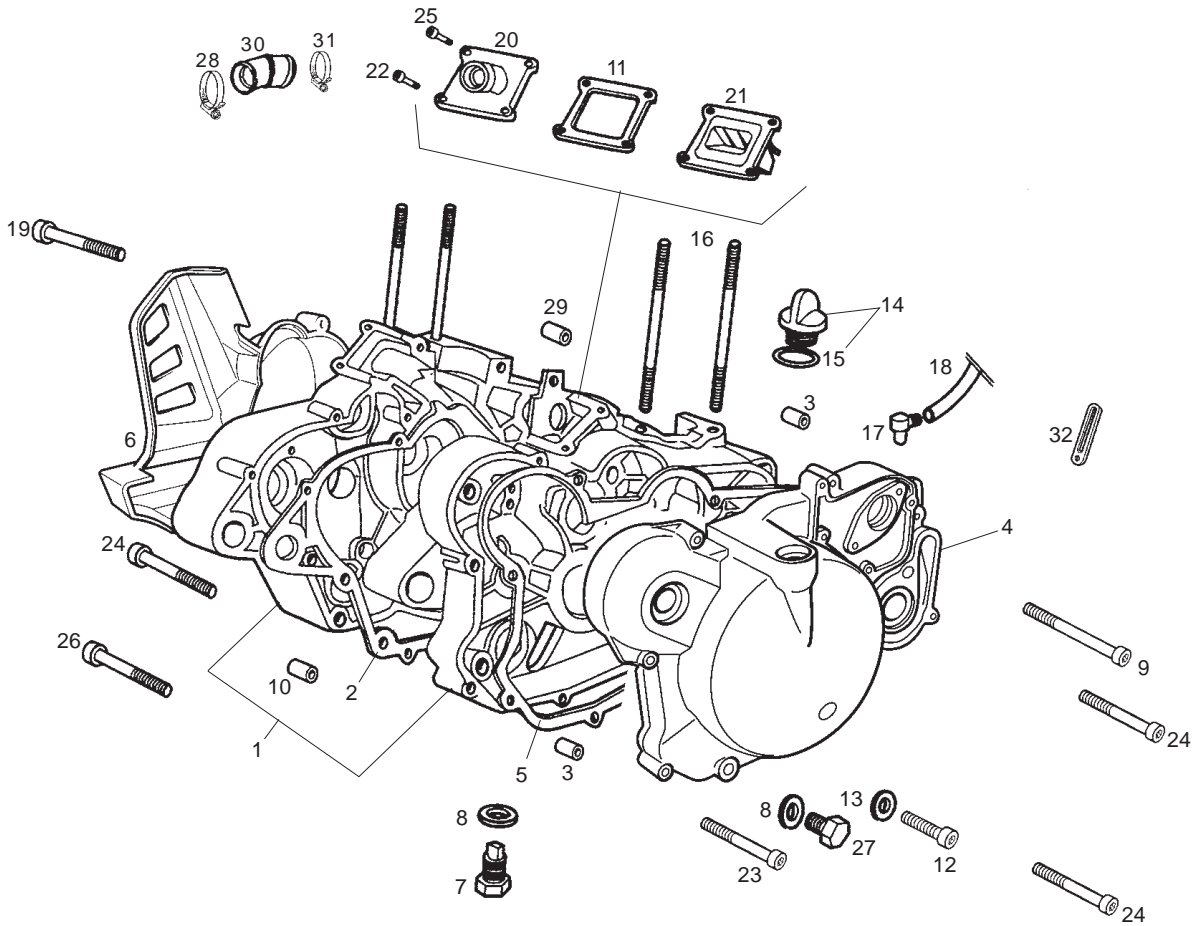
| Fig. | Ver. | COD. KOD. | DESCRIPCIÓN DENOMINAZIONE NAME | BEZEICHUNG DESIGNATION | MOD. | NOTAS NOTES NOTA MITSCHRIFT NOTES |
|------|------|-----------|---|---|------|-----------------------------------|
| 01A | | 847228 | ARANDELA RONDELLA WASHER | SCHEIBE RONDELLE | 1 | |
| 02A | | CM149802 | TORNILLO FIJ.TOPE ARRANQUE VITE SCREW | SCHRAUBE VIS | 1 | |
| 03A | | 847229 | ANILLO SEGURIDAD D11 ANELLO SICUREZZA CIRCLIP | SEEGERRING CIRCLIP | 1 | |
| 04A | | 847074 | RETEN EJE ARRANQUE GIUNTO TENUTA SEAL | DICHTRING JOINT | 1 | |
| 05A | | 847232 | ARANDELA TOPE PIÑON ARRANQUE RONDELLA WASHER | SCHEIBE RONDELLE | 1 | |
| 06A | | 847061 | PIÑON ARRANQUE Z-29 PIGNONE AVVIAMENTO KICKSTARTER GEAR | ANLAUFRITZEL ROUE DE MISE EN MARCHE | 1 | |
| 07A | | 847060 | MUELLE PIÑON ARR. MOLLA PIGNONE AVVIAMENTO SPRING, ENGAGEMENTE REAR | RITZELFEDER RESSORT DE ROUE DE MISE EN | 1 | |
| 08A | | 847056 | PIÑON INTERMEDIO ARRANQUE PIGNONE INTERMEDIO AVVIAMENTO DRIVING GEAR | ANLAUF-ZWISCHENRITZEL ROUE INTERMEDIAIRE | 1 | |
| 09A | | 847062 | REFUERZO TOPE ARRANQUE RINFORZO FERMO AVVIAMENTO KICKSTARTER LEVER STOP | VERSTARUNG F.ANSCHULAG BUTEE PEDALE DE KICK | 1 | |
| 10A | | 847057 | MUELLE ARRANQUE, MOLLA AVVIAMENTO KICKSTARTER SPRING | ANLAUFFEDER RESSORT DE KICK | 1 | |
| 11A | | 847058 | CAZOLETA.GUIA MUELLE ARRANQUE SCODELLINO GUIDA MOLLA AVVIAME SPRING GUIDE | FUHRUNGSPFANE RAMPE DE KICK | 1 | |



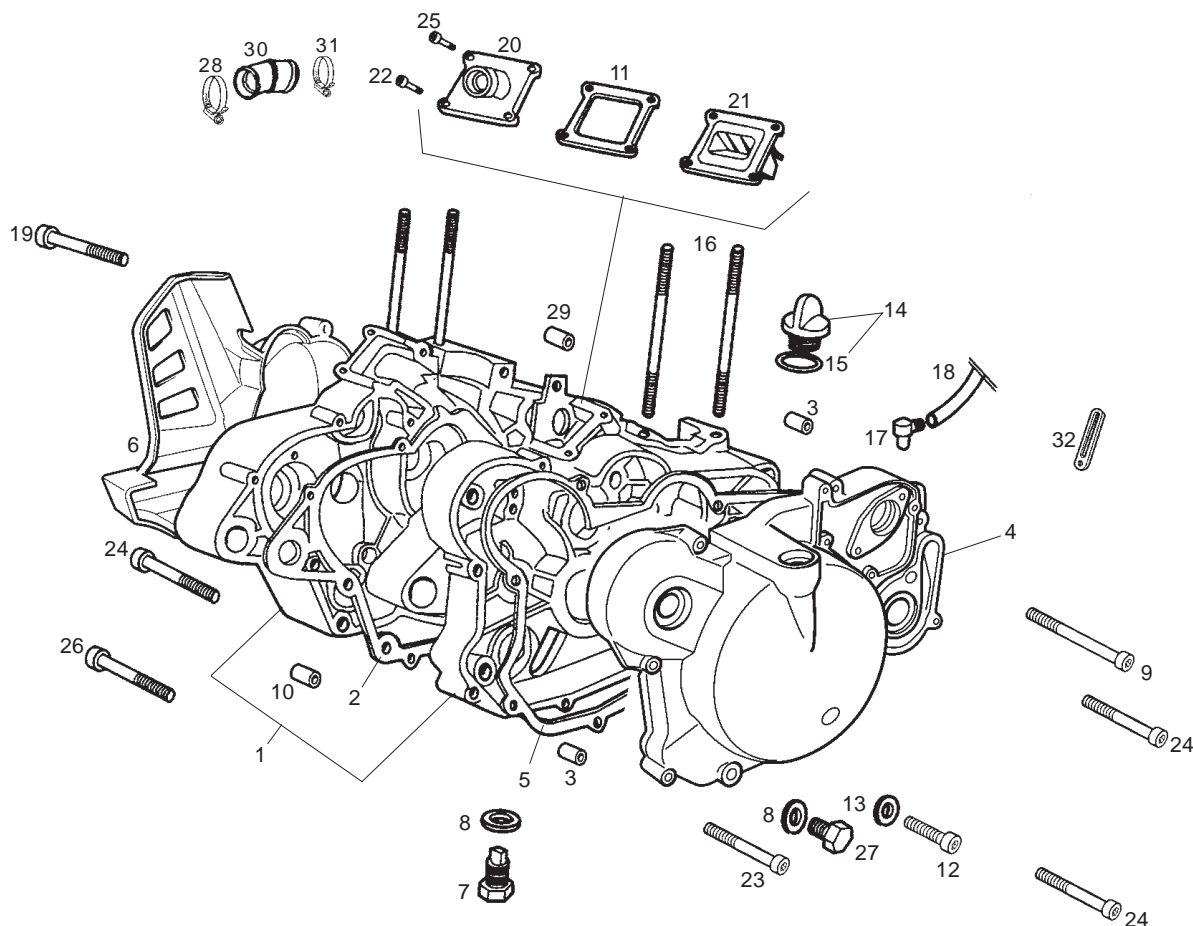
| Fig. | Ver. | COD. KOD. | DESCRIPCIÓN DENOMINAZIONE NAME | BEZEICHNUNG DESIGNATION | MOD. | NOTAS NOTES NOTA MITSCHRIFT NOTES |
|------|------|-------------|---|----------------------------|------|-----------------------------------|
| 12A | | 847059 | SCTO.EJE ARRANQUE, SUBASSE AVVIAMENTO KICKSTARTER SHAFT | ANLAUFACHSE ARBRE DE KICK | 1 | |
| 13A | | 847230 | ARANDELA TOPE ARRANQUE RONDELLA WASHER | SCHEIBE RONDELLE | 1 | |
| 14A | | 847231 | ANILLO SEGURIDAD D22 ANELLO SICUREZZA CIRCLIP | SEEGERRING CIRCLIP | 1 | |
| 15A | | 00H02902252 | PALANCA ARRANQUE LEVA AVVIAMENTO KICKSTARTER LEVER | KICKSTARTER LEVIER DE KICK | 1 | |
| 16A | | 00004162500 | TORNILLO C/ALLEN 6M100X25 VITE SCREW | SCHRAUBE VIS | 1 | |
| 17A | | 00037000600 | ARANDELA CONICA SEG.D6,4 RONDELLA WASHER | SCHEIBE RONDELLE | 1 | |
| 18A | | 00000061040 | BOLA PALLA BALL | KUGEL BILLE | 1 | |
| 19A | | 00003127200 | MUELLE MOLLA SPRING | FEDER RESSORT | 1 | |
| 20A | | 00047030900 | ANILLO SEGURIDAD ANELLO SICUREZZA CIRCLIP | SEEGERRING CIRCLIP | 1 | |
| 21A | | 00000036100 | ARANDELA MUELLE RONDELLA WASHER | SCHEIBE RONDELLE | 1 | |



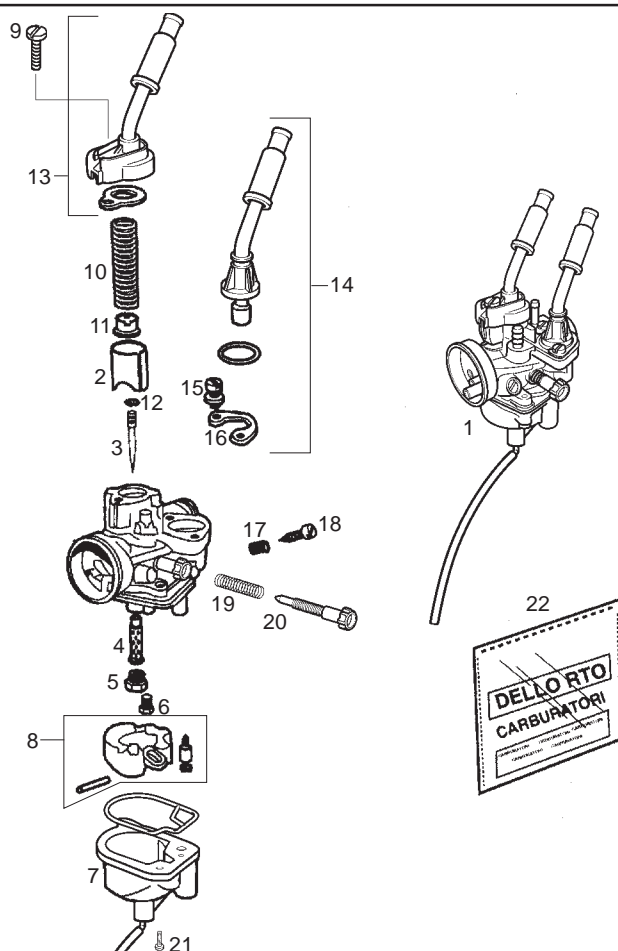
| Fig. | Ver. | COD. KOD. | DESCRIPCIÓN DENOMINAZIONE NAME | BEZEICHUNG DESIGNATION | MOD. | NOTAS NOTES NOTA MITSCHRIFT NOTES |
|------|------|-------------|--|--|------|-----------------------------------|
| 01A | | CM1503025 | CTO CARTERS CARTERS CRANCKASE ASSEMBLY | MOTORGEHAUSE ENSEMBLE DES CARTERS MOTEUR | 1 | |
| 02A | | 848501 | JUNTA CARTERS GUARNIZIONE CARTERS GASKET, CHANCKASE | GEHAUSEDICHTUNG JOINT DE CARTERS CENTRAUX | 1 | |
| 03A | | 847241 | PASADOR UNION CARTER. CHIAVISTELLO SOSTEGNO SPIRALE FORK PIN | STIFT GOUDILLE | 1 | |
| 04A | | CM150703 | TAPA CARTER DERECHA SUBC.COP.CARTER DES. CRANCKASE COVER | KUPPLINGSDECKEL CARTER DIEMBRYAGE | 1 | |
| 05A | | 847084 | JUNTA TAPA CARTER DERECHA GUARNIZIONE COPERCHIO CARTER D GASKET RIGHT-HAND COVER | DICHTUNG JOINT DE CARTER EMBRAYAGE | 1 | |
| 06A | | 00H03007241 | TAPA CARTER IZQUIERDA COPERCHIO CARTER SINISTRO CRANCKASE COVER LEFT | GEHD US ED EDKELLINKS COUVERCLE CARTER GAUCHE | 1 | |
| 07A | | 847237 | CTO.TORNILLO VACIADO.ACEITE VITE SCREW | SCHRAUBE VIS | 1 | |
| 08A | | 847238 | ARANDELA VACIADO ACEITE RONDELLA WASHER | SCHEIBE RONDELLE | 1 | |
| 09A | | CM149801 | TORNILLO C/ALLEN.6M100X55 VITE SCREW | SCHRAUBE VIS | 1 | |
| 10A | | 847097 | SEPARADOR CARTER GHIERA PIN | BUCHSE DOUILLE | 1 | |
| 11A | | 847091 | JUNTA SOPTE.VALVULA ADMISION GUARNIZIONE SOSTEGNO VALVOLA A INLET VALVE GASKET | DICHTUNG VENTILHALTER JOINT BTE.CLAPETS | 1 | |



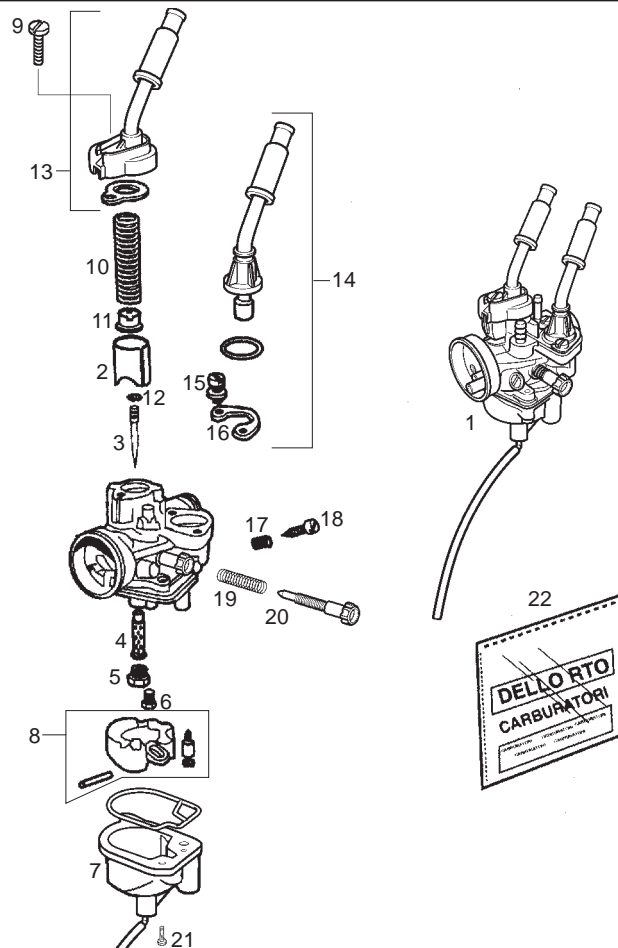
| Fig. | Ver. | COD. KOD. | DESCRIPCIÓN DENOMINAZIONE NAME | BEZEICHUNG DESIGNATION | MOD. | NOTAS NOTES NOTA MITSCHRIFT NOTES |
|------|------|-------------|---|---|------|-----------------------------------|
| 12A | | 847240 | TORNILLO C/ALLEN.6M100X10 VITE SCREW | SCHRAUBE VIS | 1 | |
| 13A | | 847239 | ARANDELA NIVEL ACEITE.D6 RONDELLA WASHER | SCHEIBE RONDELLE | 1 | |
| 14A | | 847087 | TORNILLO LLENADO ACEITE VITE SCREW | SCHRAUBE VIS | 1 | |
| 15A | | 847180 | ANILLO TORICO TAPON NIV.ACTE. ANELLO TORICO SEAL | O-RING JOINT DE JAUGE D,HUILE | 1 | |
| 16A | | 847015 | ESPARRAGO CILINDRO MOTOR BULLONE FISSAGGIO CILINDRO STUD CYLINDER | STEBBOLZEN GOUJON DE FIXE CYLINDRE | 1 | |
| 17A | | 847024 | RACORD SALIDA GASES RACCORDI USCITA GAS CARTER . CRANKCASE VENT RACCORD | AUSGANGSSTUTZEN RACCORD DE SORTIE GAZ CARTE | 1 | |
| 18A | | 00H03702461 | TUBO RESPIRADOR TUBO RESPIRAZIONE SERBATOIO VENT PIPE OIL TANK | ENTLUEFTUNGSSCHLAUCH TUYAU RESPIRATION RESERVOIR | 1 | |
| 19A | | 00G03900821 | TORNILLO FIJACION 6X30 VITE SCREW | SCHRAUBE VIS | 1 | |
| 20A | | 847093 | BOQUILLA CARBURADOR ATTACCO CARBURATORE INTAKE MANIFOLD, | ANSAUGSTUTZEN ENSEMB.PIPE DIADMISSION | 1 | |
| 21A | | 847092 | CTO.CAJA LAMINAS ADMISION CASSA LAMINA AMMISSI INLET BOX | MEMBRANE BOITE A CLAPETS | 1 | |
| 22A | | CM149804 | TORNILLO C/ALLEN.6M100X25. VITE SCREW | SCHRAUBE VIS | 1 | |



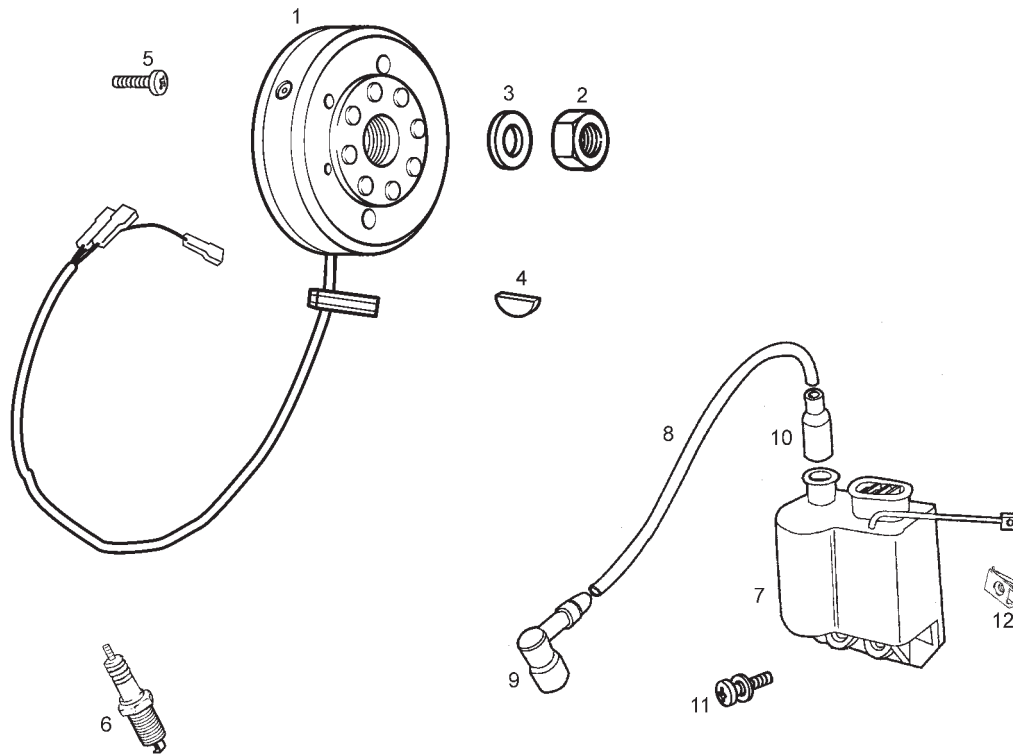
| Fig. | Ver. | COD. KOD. | DESCRIPCIÓN DENOMINAZIONE NAME | BEZEICHNUNG DESIGNATION | MOD. | NOTAS NOTES NOTA MITSCHRIFT NOTES |
|------|------|-------------|---|-------------------------|------|-----------------------------------|
| 23A | | CM149806 | TORNILLO C/ALLEN.6M100X35 VITE SCREW | SCHRAUBE VIS | 1 | |
| 24A | | CM149808 | TORNILLO C/ALLEN.6M100X40 VITE SCREW | SCHRAUBE VIS | 1 | |
| 25A | | 828152 | TORNILLO VITE SCREW | SCHRAUBE VIS | 1 | |
| 26A | | CM149809 | TORNILLO FIJACION CARTERS.6X50 VITE SCREW | SCHRAUBE VIS | 1 | |
| 27A | | 847174 | TORNILLO VACIADO ACEITE. VITE SCREW | SCHRAUBE VIS | 1 | |
| 28A | | 00H02501491 | ABRAZADERA FASCETTA CLAMP | ZÜGEL BRIDE | 1 | |
| 29A | | 847023 | SEPARADOR CARTER GHIERA PIN | BUCHSE DOUILLE | 1 | |
| 30A | | 871319 | CASQUILLO UNION MANGUITO CARB. BRONZINA BUSHING | BUCHSE ENTRETOISE | 1 | |
| 31A | | 847096 | ABRAZADERA FASCETTA CLAMP | ZÜGEL BRIDE | 1 | |
| 32A | | 00G03702181 | BRIDA FIJ. TUBO ACEITE BOMBA-BOQ. BRIGLIA CLAMP | ZÜGEL BRIDE | 1 | |



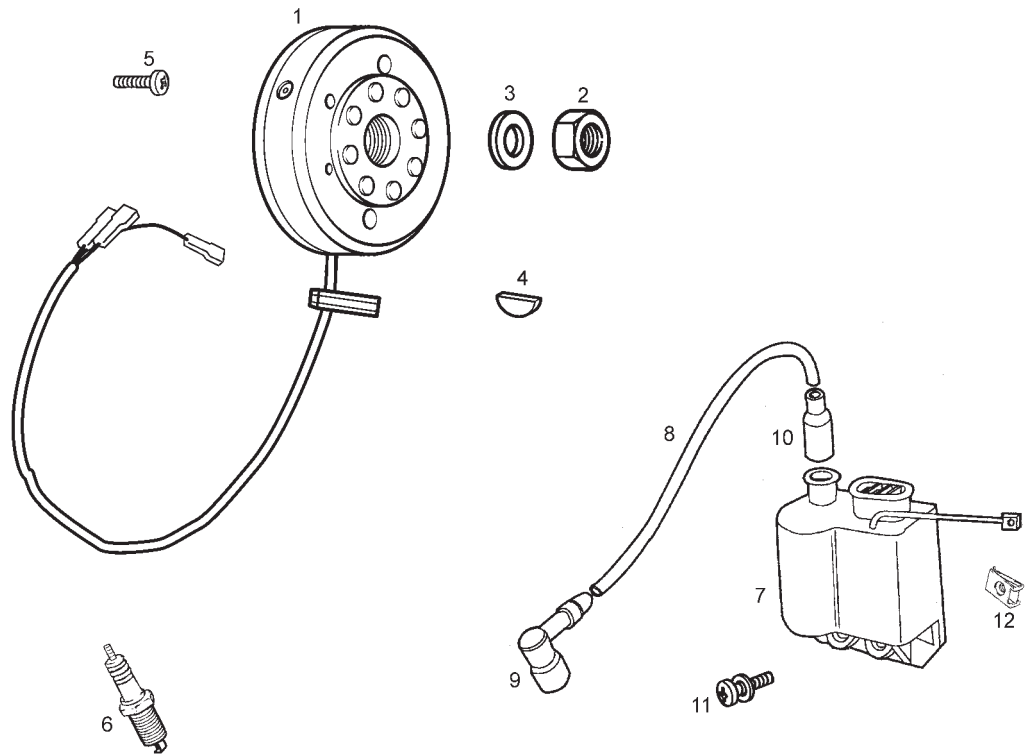
| Fig. | Ver. | COD. KOD. | DESCRIPCIÓN DENOMINAZIONE NAME | BEZEICHUNG DESIGNATION | MOD. | NOTAS NOTES NOTA MITSCHRIFT NOTES |
|------|------|-------------|---|---|------|-----------------------------------|
| 01A | | CM152706 | CTO CARBURADOR CARBURATORE CARBURETOR | VERGASER KOMPL ENSEMBLE CARBURATEUR | 1 | |
| 02A | | 00H03207211 | COMPUERTA GAS VALVOLA GAS SLIDE | GASSCHIEBER BOISSEAU | 1 | |
| 03A | | 00H03214431 | SPILLO CONICO SPILLO SPRUZZATORE NEEDLE | DUESENNADELUSE AIGUILLE PULVERIZ. | 1 | |
| 04A | | 00H03206421 | PULVERIZADOR POLVERIZZATORE NEEDLE JET | ZERSTAUBERDUSE PULVERISATEUR | 1 | |
| 05A | | CM101721 | SURTIDOR MAXIMO 70 GETTO MASSIMO MAIN JET | HAUPT DUSE GICLEUR PRINCIPAL | 1 | |
| 06A | | 00H04101181 | SURTIDOR MINIMO 32 GETTO MINIMO JET MIN | DUESE MIN. GICLEUR MINIMUM. | 1 | |
| 07A | | 484704 | VASO GASOLINA VASCHETTA BENZZINA FLOAT BOWL SEET | SCHWIMMERKAMMER CUVE INFERIEURE CARBUR. | 1 | |
| 08A | | 00H03204281 | KIT FLOTADOR GALLEGGIANTE FLOAT | SCHWIMMER FLOTTEUR. | 1 | |
| 09A | | 00G03200061 | TORNILLO FIJACION TAPA VITE FISSAGIO COPERCHIO CAM. MIXING XAMBER COVER SEGRING | BEF.-SCHRAUBE DECKEL MISCH BOUL.SER.COUV.CHAMBRE MEL | 1 | |
| 10A | | 00G03201071 | MUELLE VALVULA GAS MOLLA VALVOLA GAS THROOTLE VALVE RETURN | FEDER FUR GASVENTIL RESSORT VALVE ESS. | 1 | |
| 11A | | 00G03200511 | CASQUILLO AGUJA PULVERIZADORA GHIERA SPILLO CONICO NEEDLE BUSHING | BUCHSE DUESENNADEL DOUILLE AIGUI.PULVERZ. | 1 | |



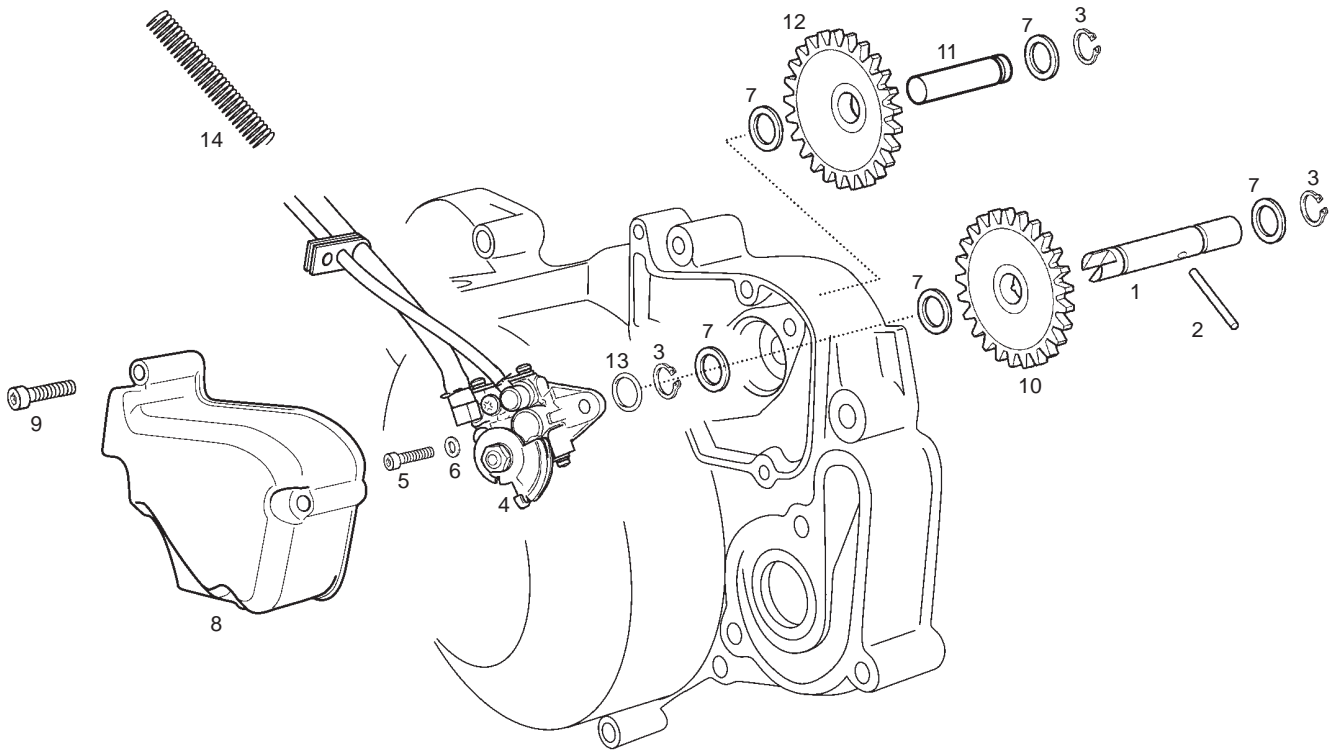
| Fig. | Ver. | COD. KOD. | DESCRIPCIÓN DENOMINAZIONE NAME | BEZEICHUNG DESIGNATION | MOD. | NOTAS NOTES NOTA MITSCHRIFT NOTES |
|------|------|-------------|---|---|------|-----------------------------------|
| 12A | | 00G03201371 | PINZA AGUJA PULVERIZADORA MORSA SPILLO CONICO NEEDLE CIRCLIP | KLAMMER DUESENNADEL PINCE AIGUI.PULVERZ. | 1 | |
| 13A | | 00H03204231 | TAPA CAMARA MEZCLA COPERCHIO CAMARA MISCELA SE COVER CARBURETOR TOP | MISCHRAUMDECKEL COUVERCLE CARBURATEUR | 1 | |
| 14A | | 00H03205711 | CTO STARTER STARTER CHOCKE LOCK | STARTERVENTIL VANNE DU STARTER MANUEL | 1 | |
| 15A | | 00G03200541 | TORNILLO FIJACION STARTER VITE FISSAGGIO STARTER AV. AUTOMA.CHOCKE SEGURING SCREE | BEF.-SCHRAUBEAUTOM STARTER BOULON SER.START.AUTOM. | 1 | |
| 16A | | 00G03200551 | PRECINTO FIJACION STARTER PIASTRINA FISSAGGIO STARTER AUTOMA.CHOCKE SEGURING SCREE | HALTERUNG AUTOM. STARTER A PLOMBAGE FIX.START.AUT. | 1 | |
| 17A | | 00G03200721 | MUELLE REGULACION AIRE MINIMO MOLLA REGOLAZIONE ARIA IDLE ADJUSTER | FEDER LUFTREGLER MIN. RESSORT REG.AIR MIN. | 1 | |
| 18A | | 00G03200731 | TORNILLO REGULACION AIRE MINIMO VIS REG.AIR.MIN. IDLE ADJUSTER SCREW | LUFT-REGULIERSCHRAUBE MIN. VIS REG.AIR MIN. | 1 | |
| 19A | | 00G03200101 | MUELLE REGULACION VALVULA GAS RES.REG.VALVE ESS. THROOTLE VALVE ADJUSTE SPRING | FEDER GAS-VENTIL-REGELUNG RES.REG.VALVE ESS. | 1 | |
| 20A | | 00G04102131 | TORNILLO REGULACION VALVULA GAS BOUTON VITE REGOLAZIONE VALVOLA THROOTLE VALVE ADJUSTER SCREW | SCHRAUBE GAS-VENTIL-REGELU VIS REG.VALV.ESS. | 1 | |
| 21A | | 00G03201091 | TORNILLO FIJACION VASO GASOLINA VITE FISSAGGIO VASCHETTA BE FLOAT CHAMBER SEGURING SCREW | BEF.-SCHRAUBE BOUL.SERG.VASE ESSENC. | 1 | |
| 22A | | 00H04103771 | JUEGO JUNTAS CARBURADOR GUARNIZIONE CARBU. CARBURETOR GASKET | DICHTUNGSATZ KOMPL. VERGAS ENS. JOINTS CARBUR. | 1 | |



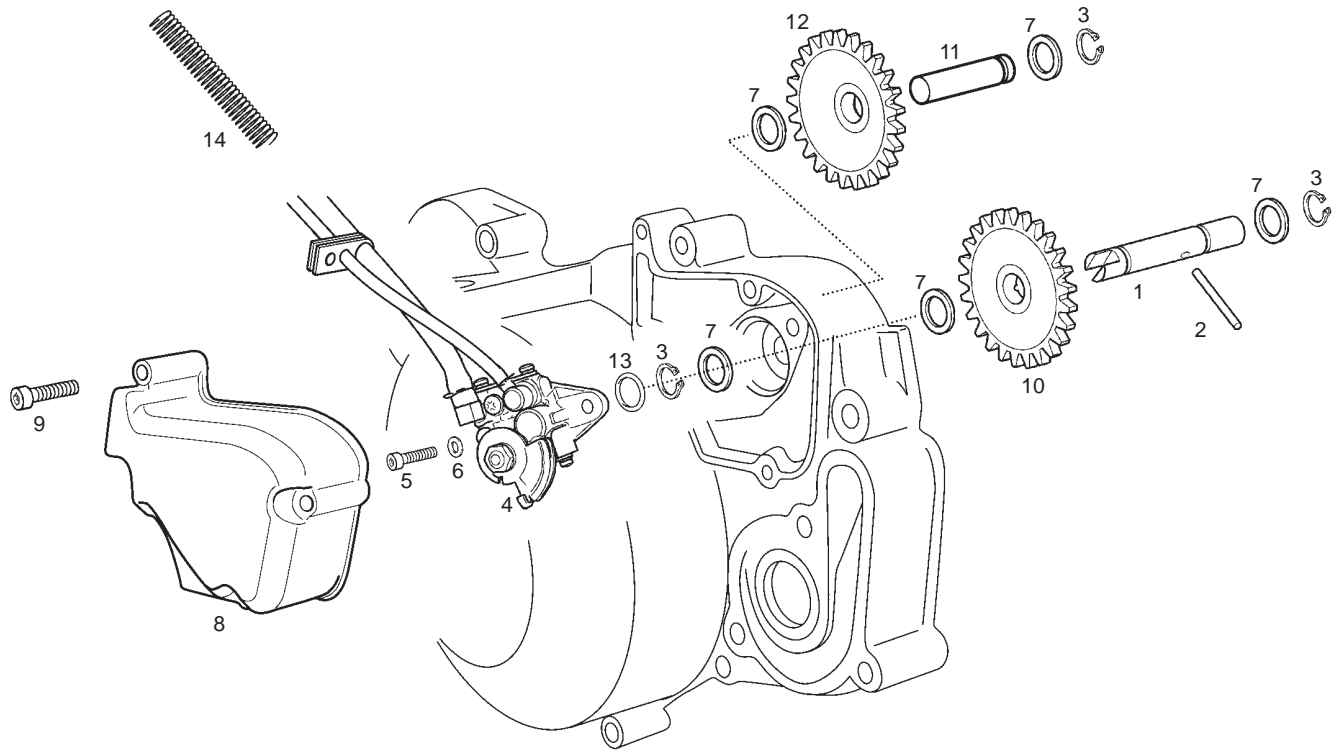
| Fig. | Ver. | COD. KOD. | DESCRIPCIÓN DENOMINAZIONE NAME | BEZEICHNUNG DESIGNATION | MOD. | NOTAS NOTES NOTA MITSCHRIFT NOTES |
|------|------|-------------|---|---|------|-----------------------------------|
| 01A | | 82852R | CTO. VOLANTE MAGNETICO VOLANO ELETTRONICO MAGNETO ASSEMBLY | LICHTMASCHINE KOMPL. VOLANT MAGNETIQUE | 1 | |
| 02A | | 847235 | TUERCA FIJACION VOLANTE.MAGN. DADO NUT | MUTTER ECROU | 1 | |
| 03A | | 847234 | ARANDELA FIJ. VOLANTE.MAGN RONDELLA WASHER | SCHEIBE RONDELLE | 1 | |
| 04A | | 847215 | CHAVETA VOLANTE MAGNETICO SPINA VOLANO MAGNETICO .P.REC. KEY, FLYWHEEL | KEIL CLAVETTE VOLANT MAGNETIQUE | 1 | |
| 05A | | 847233 | TORNILLO FIJ.VOLTE.MAGN.5M80X10. VITE SCREW | SCHRAUBE VIS | 1 | |
| 06A | | 847085 | BUJIA CANDELA SPARK PLUG | KERZE BOUGIE | 1 | |
| 07A | | 00H03330171 | CTO CONVERSOR ELECTRONICO COVERTITORE ELETTRON COIL, PRIMARY IGNITION | ZUNDSPULE BOBINE AUTE TENSION | 1 | |
| 08A | | 00F03310741 | CABLE BOBINA CAVO BOBINA CABLE COIL PRIMARY IGNITION | ZUNDSPULENKABEL CABLE | 1 | |
| 09A | | 00G03301271 | CTO PIPA BUJIA PIPETA CANDELA COVER, SPARK PLUG | ZUNDKERZENSTECRER PIPE DE BOUGIE | 1 | |
| 10A | | 00F03300731 | CAPUCHON CABLE BOBINA CAPPuccio CAVO BOBINA COIL CABLE RUBBER PROTECTOR | KAPPE CAPUCHON | 1 | |



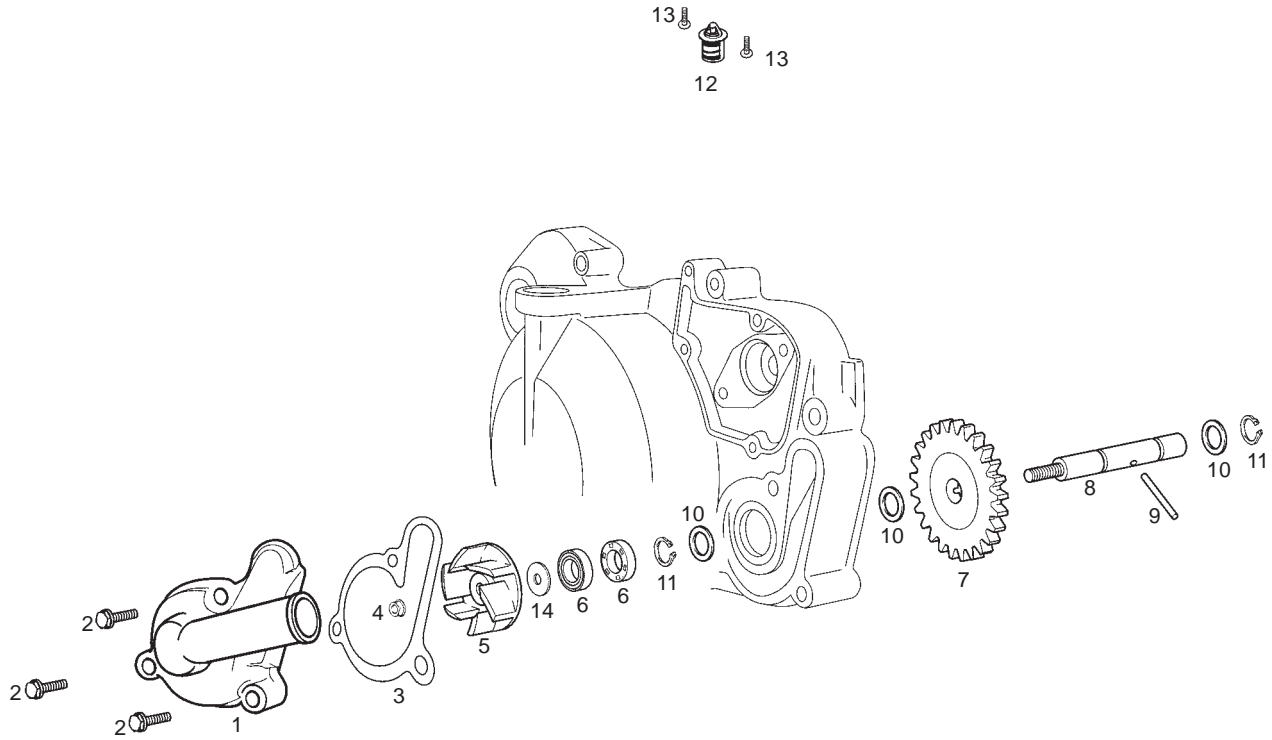
| Fig. | Ver. | COD. KOD. | DESCRIPCIÓN DENOMINAZIONE NAME | BEZEICHNUNG DESIGNATION | MOD. | NOTAS NOTES NOTA MITSCHRIFT NOTES |
|------|------|-------------|--|-------------------------|------|-----------------------------------|
| 11A | | 00G06800021 | SCTO. TORNILLO 6M100X20 VITE SCREW | SCHRAUBE VIS | 1 | |
| 12A | | 00D01501371 | TUERCA FIJACION D6 DADO NUT | MUTTER ECROU | 1 | |



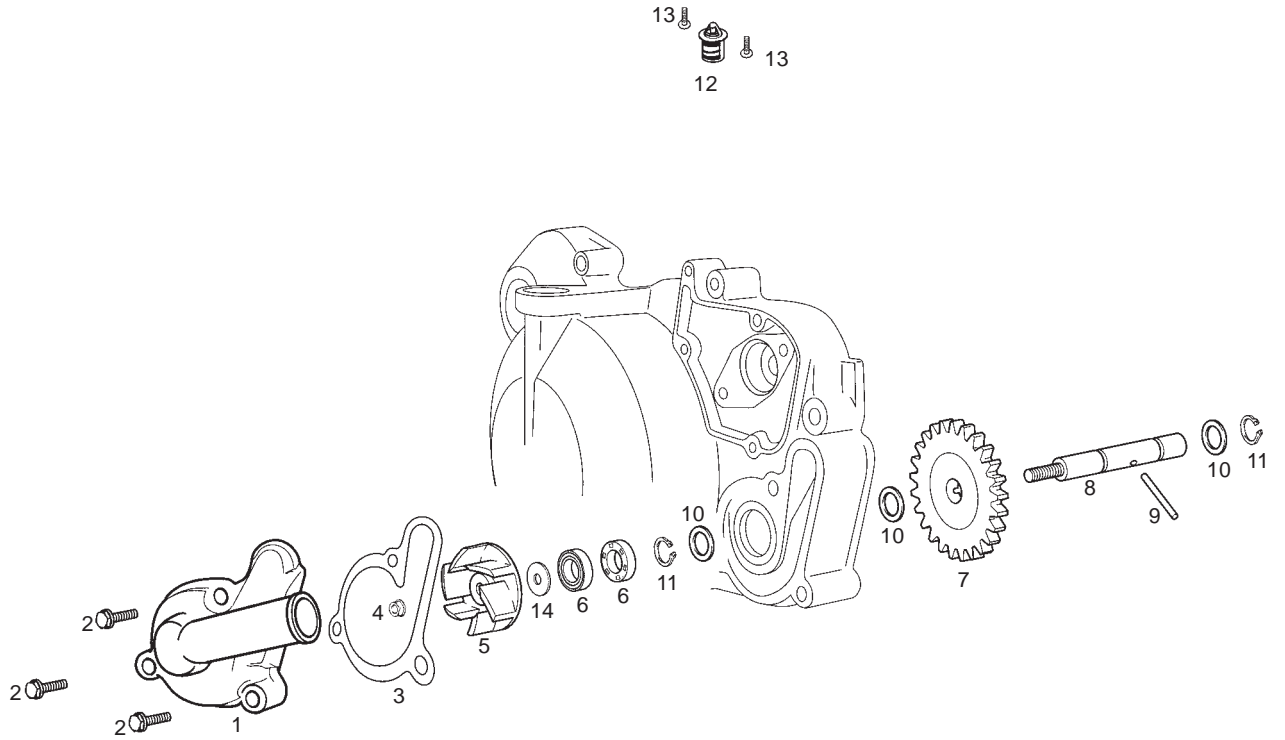
| Fig. | Ver. | COD. KOD. | DESCRIPCIÓN DENOMINAZIONE NAME | BEZEICHNUNG DESIGNATION | MOD. | NOTAS NOTES NOTA MITSCHRIFT NOTES |
|------|------|-------------|--|--|------|-----------------------------------|
| 01A | | 847052 | EJE BOMBA ACEITE ASSE POMPA OLIO PUMPOIL AXLE | OLPUMPUNACHSE AXE DE POMPE D,HUILLE | 1 | |
| 02A | | 847184 | PASADOR EJE BOMBA CHIAVISTELLO SOSTEGNO SPIRALE FORK PIN | STIFT GOUDILLE | 1 | |
| 03A | | 847182 | ANILLO SEGURIDAD EJES D8 ANELLO SICUREZZA CIRCLIP | SEEGERRING CIRCLIP | 1 | |
| 04A | | 847055 | CTO. BOMBA ACEITE POMPA OLIO OIL PUMP | OLPUMPE POMPE A HUILLE | 1 | |
| 05A | | 847227 | TORNILLO C/ALLEN 5M80X15 VITE SCREW | SCHRAUBE VIS | 1 | |
| 06A | | 847226 | ARANDELA D5 RONDELLA WASHER | SCHEIBE RONDELLE | 1 | |
| 07A | | 847183 | ARANDELA TOPE PIÑÓN INTERMEDIO RONDELLA WASHER | SCHEIBE RONDELLE | 1 | |
| 08A | | 00H03706011 | TAPA BOMBA ACEITE COPERCHIO COVER | DECKEL COUVERCLE | 1 | |
| 09A | | 00004154000 | TORNILLO C/ALLEN 5M80X40 VITE SCREW | SCHRAUBE VIS | 1 | |
| 10A | | 847051 | PIÑÓN BOMBA ACEITE Z25 PIGNONE GEAR | ZAHNRAD PIGNON | 1 | |
| 11A | | 847076 | EJE PIÑONES INTERMEDIOS ASSE AXLE | ACHSE AXE | 1 | |



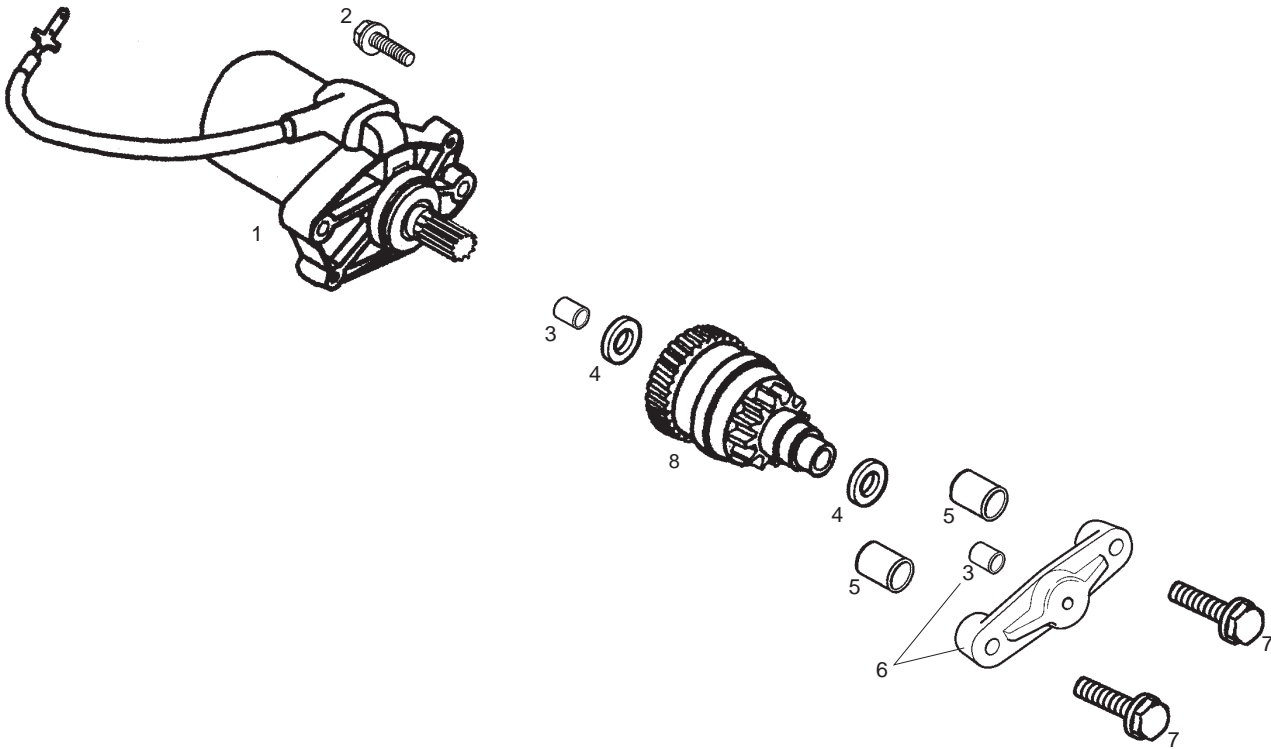
| Fig. | Ver. | COD. KOD. | DESCRIPCIÓN DENOMINAZIONE NAME | BEZEICHNUNG DESIGNATION | MOD. | NOTAS NOTES NOTA MITSCHRIFT NOTES |
|------|------|-------------|--|-------------------------|------|-----------------------------------|
| 12A | | 847053 | PIÑÓN INTERMEDIO BOMBA Z13/24 PIGNONE GEAR | ZAHNRAD PIGNON | 1 | |
| 13A | | 311163 | JUNTA BOMBA ACEITE GUARNIZIONE GASKET | DICHTUNG JOINT | 1 | |
| 14A | | 00H03701511 | MUELLE PROTECTOR TUBO ACEITE MOLLA SPRING | FEDER RESSORT | 1 | 2 PER BIKE |



| Fig. | Ver. | COD. KOD. | DESCRIPCIÓN DENOMINAZIONE NAME | BEZEICHNUNG DESIGNATION | MOD. | NOTAS NOTES NOTA MITSCHRIFT NOTES |
|------|------|-----------|---|---|------|-----------------------------------|
| 01A | | CM150802 | TAPA BOMBA AGUA COPERCHIO POMPA ACQUA WATER PUMP COVER | DECKEL F. WASSERPUMPE COUVERCLE DE POMPE D,EAU | 1 | |
| 02A | | CM149805 | TORNILLO FIJACION 6X30 Zn.B VITE SCREW | SCHRAUBE VIS | 1 | |
| 03A | | 871688 | JUNTA TAPA BOMBA AGUA GUARNIZIONE COPERCHIO GASKET | DICHTUNG F. WASSERPUMPENDE JOINT | 1 | |
| 04A | | 847067 | TUERCA 5M80 LATON DADO NUT | MUTTER ECROU | 1 | |
| 05A | | 847079 | RODETE BOMBA AGUA ROCCHETTO POMPA ACQUA WATER PUMP ROLLER | LAUFER F. WASSERPUMP CHIGNON POMPE D,EAU | 1 | |
| 06A | | 847077 | RETEN EJE BOMBA GIUNTO TENUTA SEAL | DICHTRING JOINT | 1 | |
| 07A | | 847080 | PIÑÓN BOMBA AGUA Z-32 PIGNONE GEAR | ZAHNRAD PIGNON | 1 | |
| 08A | | 847078 | EJE BOMBA AGUA ASSE POMPA ACQUA WATERPUMP SHAFT | WASSERPUMPENACHSE AXE POMPE D,AEU | 1 | |
| 09A | | 847184 | PASADOR EJE BOMBA CHIAVISTELLO SOSTEGNO SPIRALE FORK PIN | STIFT GOUDILLE | 1 | |
| 10A | | 847183 | ARANDELA TOPE PIÑÓN INTERMEDIO RONDELLA WASHER | SCHEIBE RONDELLE | 1 | |
| 11A | | 847182 | ANILLO SEGURIDAD D8 ANELLO SICUREZZA CIRCLIP | SEEGERRING CIRCLIP | 1 | |



| Fig. | Ver. | COD. KOD. | DESCRIPCIÓN DENOMINAZIONE NAME | BEZEICHNUNG DESIGNATION | MOD. | NOTAS NOTES NOTA MITSCHRIFT NOTES |
|------|------|-----------|---|--------------------------|------|-----------------------------------|
| 12A | | 483395 | INTERRUPTOR TERMICO INTERRUPTORE TERMICO THERMIC SWITCH | SCHALTER INTERRUPTEUR | 1 | |
| 13A | | 847176 | TORNILLO C/RED CRUZ NEGRO VITE SCREW | SCHRAUBE VIS | 1 | |
| 14A | | 847181 | ARANDELA RONDELLA WASHER | SCHEIBE RONDELLE | 1 | |



| Fig. | Ver. | COD. KOD. | DESCRIPCIÓN DENOMINAZIONE NAME | BEZEICHNUNG DESIGNATION | MOD. | NOTAS NOTES NOTA MITSCHRIFT NOTES |
|------|------|-----------|---|---|------|-----------------------------------|
| 01A | | 82851R | MOTOR ARRANQUE ELECTRICO MOTORINO AVVIAMENTO STARTER MOTOR ASSY | ELEKTRISCHER ANLASSER DEMARREUR ELECTRIQUE | 1 | |
| 02A | | CM149803 | TORNILLO FIJACION VITE SCREW | SCHRAUBE VIS | 1 | |
| 03A | | 847146 | CASQUILLO EJE APOYO MOTOR BOCCOLA CRANKCASE LOCATOR | ZENTRIERUNGEN CENTREUR CARTERS | 1 | |
| 04A | | 847261 | ARANDELA EJE PIÑON ARRANQUE RONDELLA WASHER | SCHEIBE RONDELLE | 1 | |
| 05A | | 847241 | PASADOR BOCCOLA CRANKCASE LOCATOR | ZENTRIERUNGEN CENTREUR CARTERS | 1 | |
| 06A | | 8470665 | CTO TAPETA APOYO MOTOR ARRANQUE FLANGIA MOTORINO AVVIAMENTO STARTER MOTOR SUPPORT PLATE | AUFLAGE ANLASSEMOTOR PLATINE APPUI DEMARREUR | 1 | |
| 07A | | CM149805 | TORNILLO FIJACION 6X30 Zn.B VITE SCREW | SCHRAUBE VIS | 1 | |
| 08A | | 96922R | CTO PIÑONES ARRANQUE ELECTRICO PIGNONE GEAR | ZAHNRAD PIGNON | 1 | |

| Fig. | Ver. | COD. KOD. | DESCRIPCIÓN DENOMINAZIONE NAME | BEZEICHUNG DESIGNATION | MOD. | NOTAS NOTES NOTA MITSCHRIFT NOTES |
|------|------|--------------|--|---------------------------|------|---|
| 01A | | 00H05400451 | ÚTIL MONTAJE RETENES CIGÜEÑAL CRANKSHAFT OIL SEAL FITTIN TOOL UTENSILE MONTAGGIO FERMI ALBERO A GOMITE | | 1 | |
| 02A | | 00H05400581 | ÚTIL MONTAJE RETÉN EJE ARRANQUE STARTER SHAFT OIL SEAL FITTIN TOOL UTENSILE MONTAGGIO FERMO ASSE AVVIAMENTO | | 1 | |
| 03A | | 00H05401561 | ÚTIL MONTAJE RETÉN EJE SELECTOR SELECTOR SHAFT OIL SEAL FITTIN TOOL UTENSILE MONTAGGIO FERMO ASSE SELETTORE | | 1 | |
| 04A | | 00H05300041 | ÚTIL FIJACIÓN CAMPANA DE EMBRAGUE CLUTHC BELL HOUSING SECURING TOOL UTENSILE FISSAGGIO CAMPANA FRIZIONE | | 1 | |
| 05A | | 00H05600241 | ÚTIL MONTAJE CASQUILLO DE AGUJAS EJE PRIMARIO PRIMARY SHAFT NEEDLE BUSH FITTING TOOL UTENSILE MONTAGGIO CAPUCCHIO AGHI ASSE PRIMARIO | | 1 | |
| 06A | | 00H05300151 | EMPUJADOR ABRIR MOTOR ENGINE OPENING PUSHER ELEMENTO DI SPINTA PER APRIRE IL MOTORE | | 1 | |
| 07A | | 00H05600351 | PIVOTE GUÍA RETÉN EJE SECUNDARIO GPR GPR SECONDARY SHAFT OIL SEAL GUIDE PIVOT PERNO GUIDA FERMO ASSE SECONDARIO GPR | | 1 | |
| 08A | | 00F05300021 | EXTRACTOR VOLANTE MAGNÉTICO ALTERNADOR ALTERNATOR MAGNETO EXTRACOR ESTRATTORE VOLANTE MAGNETICO ALTERNATORE | | 1 | |
| 09A | | 00G05300011 | BLOQUEADOR GIRO VOLANTE MAGNÉTICO ALTERNADOR ALTERNATOR MAGNETO TURN LOCKER BLOCANTE GIRO VOLANTE MAGNETICO ALTERNATORE | | 1 | |
| 10A | | 00D05310091 | PIÑÓN MOTOR SENDA SEND A ENGINE PINION PIGNONE MOTORE SENDA | | 1 | |
| 11A | | 00H05600421 | RETÉN EXTERIOR BOMBA DE AGUA WATER PUMP EXTERIOR OIL SEAL FERMO ESTERNO POMPA ACQUA | | 1 | |
| 12A | | 00H05600431 | RETÉN INTERIOR BOMBA DE AGUA WATER PUMP INTERIOR OIL SEAL FERMO INTERIOR POMPA ACQUA | | 1 | |
| 13A | | 00H05100101 | ÚTIL TRABAR PIÑÓN MOTOR ENGINE PINION FASTENING TOOL UTENSILE PER UNIRE IL PIGNONE MOTORE | | 1 | |
| 14A | | 00H05401451 | JAULA EJE CONTRAPESO COUNTERWEIGHT SHAFT CAGE GABBIA ASSE CONTRAPPESO | | 1 | |
| 15A | | 00H05400461 | RETÉN EJE CONTRAPESO COUNTERWEIGHT SHAFT OIL SEAL FERMO ASSE CONTRAPPESO | | 1 | |
| 16A | | 00H05601261 | PIVOTE GUÍA EJE BOMBA AGUA WATER PUMP SHAFT WATER GUIDE PIVOT PERNO GUIDA ASSE POMPA ACQUA | | 1 | |
| 17A | | 00H05301841 | PIVOTE GUÍA RETÉN EJE CIGÜEÑAL CRANKSHAFT JOURNAL OIL SEAL GUIDE PIVOT PERNO GUIDA FERMO ASSE ALBERO A GOMITO | | 1 | |

| CODIGO CODE | Lám. Diagr. | Figr. | Vers. | CODIGO CODE | Lám. Diagr. | Figr. | Vers. | CODIGO CODE | Lám. Diagr. | Figr. | Vers. | CODIGO CODE | Lám. Diagr. | Figr. | Vers. |
|-------------|-------------|-------|-------|-------------|-------------|-------|-------|-------------|-------------|-------|-------|-------------|-------------|-------|-------|
| 0000002825 | 12 | 04A | | 00008915020 | 13 | 09A | | 00D01500021 | 11 | 05A | | 00G04102131 | 21 | 20A | |
| 00000004160 | 08 | 13A | | 00011032501 | 07 | 32A | | 00D01500471 | 04 | 35A | | 00G04401462 | 05 | 18A | |
| 00000004612 | 07 | 48A | | 00011041300 | 10 | 11A | | 00D01500471 | 07 | 17A | | 00G04401462 | 05 | 21A | |
| 00000004612 | 13 | 15A | | 00011051401 | 04 | 19A | | 00D01500552 | 04 | 22A | | 00G04401462 | 07 | 25A | |
| 00000004630 | 03 | 47A | | 00011061300 | 07 | 08A | | 00D01500552 | 13 | 11A | | 00G04401462 | 10 | 23A | |
| 00000012415 | 12 | 10A | | 00011141300 | 03 | 10A | | 00D01501371 | 03 | 16A | | 00G04403751 | 05 | 44A | |
| 00000021060 | 03 | 49A | | 00011141300 | 13 | 22A | | 00D01501371 | 04 | 28A | | 00G04702091 | 08 | 17A | |
| 00000023040 | 05 | 43A | | 00012061200 | 03 | 11A | | 00D01501371 | 04 | 32A | | 00G04702091 | 09 | 15A | |
| 00000023040 | 05 | 46A | | 00012061200 | 03 | 14A | | 00D01501371 | 05 | 26A | | 00G05300011 | 26 | 09A | |
| 00000023051 | 05 | 13A | | 00012061200 | 04 | 20A | | 00D01501371 | 05 | 38A | | 00G06800021 | 22 | 11A | |
| 00000023051 | 05 | 51A | | 00012061200 | 05 | 39A | | 00D01501371 | 07 | 50A | | 00H00201111 | 02 | 19A | |
| 00000023051 | 07 | 24A | | 00012081621 | 12 | 14A | | 00D01501371 | 13 | 06A | | 00H00202101 | 02 | 20A | |
| 00000023060 | 05 | 04A | | 00012151500 | 10 | 22A | | 00D01501371 | 22 | 12A | | 00H00211741 | 06 | 12A | |
| 00000023060 | 06 | 38A | | 00012152000 | 11 | 02A | | 00D01520096 | 01 | 20A | | 00H00300672 | 08 | 06A | |
| 00000023060 | 07 | 11A | | 00012161600 | 04 | 30A | | 00D01540456 | 01 | 21A | | 00H00300921 | 03 | 29A | |
| 00000023060 | 07 | 18A | | 00022084021 | 01 | 04A | | 00D02600631 | 05 | 45A | | 00H00300931 | 03 | 40A | |
| 00000023060 | 07 | 30A | | 00022084521 | 01 | 07A | | 00D02600631 | 10 | 21A | | 00H00301811 | 03 | 06A | |
| 00000023060 | 07 | 45A | | 00023108000 | 01 | 05A | | 00D02600631 | 11 | 03A | | 00H00301811 | 03 | 23A | |
| 00000023060 | 09 | 16A | | 00023108000 | 01 | 13A | | 00D02600631 | 12 | 12A | | 00H00302861 | 03 | 25A | |
| 00000031040 | 18 | 25A | | 00023108000 | 10 | 20A | | 00D02600631 | 13 | 23A | | 00H00303701 | 03 | 30A | |
| 00000031040 | 05 | 42A | | 00023108000 | 12 | 16A | | 00D03700131 | 04 | 12A | | 00H00303892 | 03 | 20A | |
| 00000031040 | 07 | 33A | | 00023108000 | 12 | 06A | | 00D05310091 | 26 | 10A | | 00H00304891 | 03 | 36A | |
| 00000031050 | 03 | 45A | | 00023112000 | 03 | 22A | | 00D05900081 | 07 | 13A | | 00H00305891 | 03 | 37A | |
| 00000031050 | 05 | 49A | | 00031105000 | 05 | 12A | | 00D05900141 | 05 | 25A | | 00H00311331 | 03 | 43A | |
| 00000031070 | 03 | 48A | | 00031105000 | 05 | 28A | | 00D05910081 | 12 | 08A | | 00H00400501 | 13 | 20A | |
| 00000036100 | 19 | 21A | | 00032015000 | 08 | 05A | | 00F00400131 | 04 | 07A | | 00H00400501 | 13 | 33A | |
| 00000056205 | 01 | 14A | | 00032015000 | 09 | 17A | | 00F00400771 | 04 | 08A | | 00H00404051 | 04 | 24A | |
| 00000061040 | 19 | 18A | | 00036008000 | 01 | 02A | | 00F00403321 | 04 | 14A | | 00H00406011 | 04 | 09A | |
| 00001213190 | 03 | 50A | | 00037000600 | 19 | 17A | | 00F00900531 | 06 | 41A | | 00H00702051 | 05 | 02A | |
| 00002041050 | 18 | 24A | | 00047030400 | 04 | 04A | | 00F00900531 | 07 | 05A | | 00H00718341 | 05 | 40A | |
| 00002051551 | 05 | 27A | | 00047030900 | 19 | 20A | | 00F00900531 | 10 | 10A | | 00H00800422 | 01 | 28A | |
| 00002052051 | 05 | 11A | | 00052062011 | 07 | 28A | | 00F01810411 | 01 | 33A | | 00H00804081 | 01 | 10A | |
| 00002061011 | 06 | 39A | | 00058020200 | 08 | 08A | | 00F03300731 | 22 | 10A | | 00H00805072 | 01 | 12A | |
| 00002061011 | 13 | 12A | | 00058020200 | 09 | 05A | | 00F03310741 | 22 | 08A | | 00H00820012 | 01 | 09A | |
| 00002062011 | 12 | 03A | | 00073481964 | 04 | 31A | | 00F03710131 | 04 | 16A | | 00H00900191 | 06 | 03A | |
| 00002062511 | 17 | 09A | | 00092061214 | 03 | 18A | | 00F03710131 | 13 | 07A | | 00H00901551 | 06 | 20A | |
| 00002082021 | 11 | 07A | | 00262080022 | 01 | 08A | | 00F03710241 | 13 | 27A | | 00H00902661 | 06 | 23A | |
| 00002085531 | 06 | 31A | | 00262100032 | 01 | 27A | | 00F04201361 | 12 | 11A | | 00H00905291 | 06 | 19A | |
| 00002215152 | 01 | 25A | | 00262120032 | 03 | 07A | | 00F04700121 | 10 | 27A | | 00H00906081 | 06 | 21A | |
| 00002518790 | 01 | 17A | | 00281121753 | 03 | 33A | | 00F05300021 | 26 | 08A | | 00H00908201 | 06 | 08A | |
| 00003112322 | 03 | 03A | | 00281121753 | 03 | 38A | | 00F05900041 | 07 | 10A | | 00H00909651 | 06 | 24A | |
| 00003115422 | 03 | 21A | | 00281121753 | 03 | 41A | | 00G00400181 | 04 | 11A | | 00H00914301 | 06 | 22A | |
| 00003127200 | 19 | 19A | | 00281121753 | 03 | 35A | | 00G00400501 | 04 | 10A | | 00H01000131 | 07 | 37A | |
| 00003306570 | 01 | 35A | | 00281141503 | 09 | 04A | | 00G00400501 | 13 | 30A | | 00H01001701 | 10 | 07A | |
| 00003710110 | 07 | 38A | | 00402060001 | 07 | 12A | | 00G01401321 | 04 | 03A | | 00H01001911 | 07 | 02A | |
| 00003710120 | 07 | 39A | | 00402060001 | 07 | 29A | | 00G01503701 | 10 | 06A | | 00H01003101 | 07 | 34A | |
| 00004154000 | 23 | 09A | | 00402060001 | 07 | 44A | | 00G02200692 | 13 | 17A | | 00H01005311 | 07 | 14A | |
| 00004162500 | 19 | 16A | | 00402080001 | 01 | 03A | | 00G02301501 | 07 | 35A | | 00H01009321 | 07 | 15A | |
| 00004163500 | 06 | 34A | | 00402080001 | 10 | 18A | | 00G03200061 | 21 | 09A | | 00H01100172 | 10 | 17A | |
| 00005010760 | 06 | 28A | | 00402080001 | 12 | 15A | | 00G03200101 | 21 | 19A | | 00H01101211 | 10 | 08A | |
| 00005527540 | 10 | 19A | | 00402080001 | 12 | 05A | | 00G03200511 | 21 | 11A | | 00H01101731 | 10 | 05A | |
| 00005551290 | 14 | 03A | | 00402100001 | 01 | 23A | | 00G03200541 | 21 | 15A | | 00H01102072 | 10 | 15A | |
| 00006309260 | 06 | 15A | | 00442060002 | 17 | 10A | | 00G03200551 | 21 | 16A | | 00H01103611 | 10 | 14A | |
| 00006309260 | 10 | 02A | | 00A00900531 | 06 | 42A | | 00G03200721 | 21 | 17A | | 00H01104181 | 10 | 12A | |
| 00006321040 | 06 | 16A | | 00A00900531 | 07 | 03A | | 00G03200731 | 21 | 18A | | 00H01112081 | 10 | 01A | |
| 00006321040 | 10 | 03A | | 00D00900531 | 06 | 06A | | 00G03201071 | 21 | 10A | | 00H01120021 | 10 | 16A | |
| 00008051200 | 05 | 48A | | 00D00900531 | 07 | 04A | | 00G03201091 | 21 | 21A | | 00H01201331 | 08 | 07A | |
| 00008052000 | 06 | 10A | | 00D00900531 | 13 | 05A | | 00G03201371 | 21 | 12A | | 00H01203291 | 08 | 04A | |
| 00008062000 | 05 | 05A | | 00D01000701 | 06 | 27A | | 00G03204272 | 04 | 13A | | 00H01205031 | 08 | 09A | |
| 00008062500 | 06 | 13A | | 00D01100201 | 10 | 04A | | 00G03300401 | 07 | 51A | | 00H01221111 | 08 | 02A | |
| 00008161800 | 07 | 43A | | 00D01200171 | 03 | 15A | | 00G03301271 | 22 | 09A | | 00H01302491 | 09 | 12A | |
| 00008902630 | 01 | 11A | | 00D01200171 | 04 | 29A | | 00G03702181 | 20 | 32A | | 00H01302551 | 10 | 26A | |
| 00008915020 | 04 | 21A | | 00D01200171 | 06 | 37A | | 00G03801701 | 13 | 34A | | 00H01304202 | 03 | 02A | |
| 00008915020 | 07 | 16A | | 00D01200171 | 07 | 49A | | 00G03900821 | 20 | 19A | | 00H01306171 | 09 | 11A | |

| CODIGO CODE | Lám. Diagr. | Figr. | Vers. | CODIGO CODE | Lám. Diagr. | Figr. | Vers. | CODIGO CODE | Lám. Diagr. | Figr. | Vers. | CODIGO CODE | Lám. Diagr. | Figr. | Vers. |
|----------------|----------------|-------|-------|----------------|----------------|-------|-------|----------------|----------------|-------|-------|----------------|----------------|-------|-------|
| 00H01306811 | 09 | 10A | | 00H03207211 | 21 | 02A | | 311163 | 23 | 13A | | 847079 | 24 | 05A | |
| 00H01308201 | 09 | 03A | | 00H03207261 | 04 | 33A | | 436947 | 15 | 14A | | 847080 | 24 | 07A | |
| 00H01323031 | 09 | 09A | | 00H03208491 | 04 | 27A | | 483395 | 24 | 12A | | 847081 | 18 | 31A | |
| 00H01323321 | 09 | 02A | | 00H03209251 | 04 | 26A | | 484704 | 21 | 07A | | 847083 | 16 | 18A | |
| 00H01500421 | 03 | 34A | | 00H03214431 | 21 | 03A | | 584521 | 07 | 47A | | 847084 | 20 | 05A | |
| 00H01500421 | 03 | 39A | | 00H03330171 | 22 | 07A | | 828152 | 20 | 25A | | 847085 | 22 | 06A | |
| 00H01500421 | 03 | 42A | | 00H03404321 | 12 | 09A | | 82835R | 16 | 10A | | 847086 | 18 | 03A | |
| 00H01500601 | 03 | 05A | | 00H03454081 | 12 | 01A | | 82851R | 25 | 01A | | 847087 | 20 | 14A | |
| 00H01500691 | 04 | 34A | | 00H03700131 | 10 | 09A | | 82852R | 22 | 01A | | 847090 | 16 | 22A | |
| 00H01500691 | 05 | 10A | | 00H03701411 | 13 | 29A | | 847006 | 15 | 03A | | 847091 | 20 | 11A | |
| 00H01500691 | 05 | 23A | | 00H03701511 | 23 | 14A | | 847007 | 15 | 18A | | 847092 | 20 | 21A | |
| 00H01500691 | 05 | 29A | | 00H03702461 | 20 | 18A | | 847008 | 15 | 15A | | 847093 | 20 | 20A | |
| 00H01500691 | 05 | 35A | | 00H03703051 | 13 | 28A | | 847009 | 15 | 07A | | 847096 | 20 | 31A | |
| 00H01500691 | 07 | 36A | | 00H03704081 | 13 | 26A | | 847010 | 15 | 10A | | 847097 | 20 | 10A | |
| 00H01500741 | 05 | 32A | | 00H03706011 | 23 | 08A | | 847012 | 15 | 04A | | 847098 | 16 | 01A | |
| 00H01500741 | 07 | 20A | | 00H03801751 | 13 | 14A | | 847014 | 15 | 08A | | 847146 | 25 | 03A | |
| 00H01501212 | 09 | 14A | | 00H03801751 | 13 | 18A | | 847015 | 20 | 16A | | 847153 | 18 | 07A | |
| 00H01501501 | 01 | 30A | | 00H03801751 | 13 | 31A | | 847018 | 18 | 38A | | 847154 | 18 | 21A | |
| 00H01501601 | 03 | 26A | | 00H03801961 | 13 | 21A | | 847019 | 18 | 19A | | 847155 | 18 | 09A | |
| 00H01501811 | 10 | 24A | | 00H03802472 | 13 | 03A | | 847020 | 15 | 11A | | 847156 | 18 | 10A | |
| 00H01502101 | 01 | 29A | | 00H03802751 | 13 | 08A | | 847020 | 15 | 13A | | 847157 | 18 | 08A | |
| 00H01502201 | 09 | 13A | | 00H03805011 | 13 | 01A | | 847021 | 18 | 04A | | 847158 | 18 | 30A | |
| 00H01502501 | 01 | 32A | | 00H03805301 | 13 | 19A | | 847023 | 20 | 29A | | 847159 | 18 | 35A | |
| 00H01503101 | 01 | 31A | | 00H03808021 | 13 | 13A | | 847024 | 20 | 17A | | 847172 | 15 | 12A | |
| 00H01508181 | 03 | 13A | | 00H03810501 | 13 | 02A | | 847026 | 15 | 09A | | 847174 | 20 | 27A | |
| 00H01600911 | 11 | 04A | | 00H04101181 | 21 | 06A | | 847027 | 18 | 01A | | 847176 | 24 | 13A | |
| 00H01644521 | 11 | 01A | | 00H04103771 | 21 | 22A | | 847028 | 18 | 06A | | 847178 | 15 | 05A | |
| 00H01645521 | 11 | 01B | | 00H04302181 | 04 | 06A | | 847029 | 18 | 36A | | 847179 | 16 | 09A | |
| 00H01701011 | 07 | 46A | | 00H04607921 | 06 | 26A | | 847030 | 18 | 27A | | 847180 | 20 | 15A | |
| 00H01801751 | 03 | 08A | | 00H04701171 | 10 | 25A | | 847031 | 18 | 37A | | 847181 | 24 | 14A | |
| 00H01801771 | 01 | 15A | | 00H04705121 | 08 | 16A | | 847032 | 18 | 26A | | 847182 | 23 | 03A | |
| 00H01803471 | 05 | 52A | | 00H04903292 | 01 | 22A | | 847036 | 18 | 32A | | 847182 | 24 | 11A | |
| 00H01808331 | 03 | 09A | | 00H05100101 | 26 | 13A | | 847038 | 18 | 29A | | 847183 | 23 | 07A | |
| 00H01809541 | 04 | 25A | | 00H05101011 | 14 | 04A | | 847040 | 16 | 11A | | 847183 | 24 | 10A | |
| 00H01810391 | 12 | 07A | | 00H05101561 | 14 | 02A | | 847042 | 16 | 12A | | 847184 | 23 | 02A | |
| 00H01811471 | 07 | 52A | | 00H05300041 | 26 | 04A | | 847043 | 16 | 07A | | 847184 | 24 | 09A | |
| 00H02100351 | 06 | 35A | | 00H05300151 | 26 | 06A | | 847044 | 16 | 08A | | 847209 | 18 | 20A | |
| 00H02100401 | 06 | 32A | | 00H05301841 | 26 | 17A | | 847045 | 16 | 03A | | 847210 | 18 | 05A | |
| 00H02101011 | 06 | 43A | | 00H05400451 | 26 | 01A | | 847046 | 16 | 13A | | 847211 | 18 | 12A | |
| 00H02102011 | 06 | 29A | | 00H05400461 | 26 | 15A | | 847047 | 16 | 14A | | 847213 | 18 | 33A | |
| 00H02102331 | 06 | 09A | | 00H05400581 | 26 | 02A | | 847048 | 16 | 16A | | 847214 | 18 | 28A | |
| 00H02102831 | 06 | 30A | | 00H05401451 | 26 | 14A | | 847051 | 23 | 10A | | 847215 | 15 | 16A | |
| 00H02103621 | 06 | 02A | | 00H05401561 | 26 | 03A | | 847052 | 23 | 01A | | 847215 | 22 | 04A | |
| 00H02104631 | 06 | 05A | | 00H05600241 | 26 | 05A | | 847053 | 23 | 12A | | 847217 | 16 | 02A | |
| 00H02200591 | 06 | 40A | | 00H05600351 | 26 | 07A | | 847055 | 23 | 04A | | 847218 | 16 | 04A | |
| 00H02201302 | 01 | 24A | | 00H05600421 | 26 | 11A | | 847056 | 19 | 08A | | 847220 | 16 | 05A | |
| 00H02201312 | 01 | 06A | | 00H05600431 | 26 | 12A | | 847057 | 19 | 10A | | 847221 | 16 | 06A | |
| 00H02201521 | 03 | 46A | | 00H05601261 | 26 | 16A | | 847058 | 19 | 11A | | 847223 | 16 | 21A | |
| 00H02212671 | 06 | 25A | | 00H05700481 | 07 | 06A | | 847059 | 19 | 12A | | 847224 | 16 | 15A | |
| 00H02300961 | 07 | 07A | | 00H05703141 | 07 | 40A | | 847060 | 19 | 07A | | 847225 | 16 | 17A | |
| 00H02402282 | 08 | 11A | | 00H05900021 | 04 | 36A | | 847061 | 19 | 06A | | 847226 | 23 | 06A | |
| 00H02402282 | 09 | 07A | | 00H05900021 | 05 | 37A | | 847062 | 19 | 09A | | 847227 | 23 | 05A | |
| 00H02500272 | 01 | 18A | | 00H05900021 | 13 | 10A | | 8470665 | 25 | 06A | | 847228 | 17 | 08A | |
| 00H02501491 | 20 | 28A | | 00H05908251 | 01 | 34A | | 847067 | 24 | 04A | | 847228 | 19 | 01A | |
| 00H02703421 | 17 | 02A | | 00H06201061 | 04 | 15A | | 847068 | 17 | 06A | | 847229 | 19 | 03A | |
| 00H02800421 | 18 | 23A | | 00H06300791 | 11 | 08A | | 847069 | 17 | 04A | | 847230 | 19 | 13A | |
| 00H02813371 | 18 | 22A | | 00H06303401 | 01 | 16A | | 847070 | 17 | 05A | | 847231 | 19 | 14A | |
| 00H02902252 | 19 | 15A | | 00H06303752 | 04 | 05A | | 847073 | 17 | 03A | | 847232 | 19 | 05A | |
| 00H03000272 | 01 | 26A | | 00H06303762 | 04 | 23A | | 847074 | 19 | 04A | | 847233 | 22 | 05A | |
| 00H03007241 | 20 | 06A | | 00H06500451 | 01 | 19A | | 847075 | 16 | 19A | | 847234 | 22 | 03A | |
| 00H03204231 | 21 | 13A | | 00H06801471 | 03 | 32A | | 847075 | 17 | 07A | | 847235 | 22 | 02A | |
| 00H03204281 | 21 | 08A | | 00H06801481 | 03 | 28A | | 847076 | 23 | 11A | | 847236 | 17 | 01A | |
| 00H03205711 | 21 | 14A | | 00H06802481 | 03 | 31A | | 847077 | 24 | 06A | | 847237 | 20 | 07A | |
| 00H03206421 | 21 | 04A | | 00K05110651 | 05 | 41A | | 847078 | 24 | 08A | | 847238 | 20 | 08A | |

| CODIGO CODE | Lám. Diagn. | Figr. | Vers. | CODIGO CODE | Lám. Diagn. | Figr. | Vers. | CODIGO CODE | Lám. Diagn. | Figr. | Vers. | CODIGO CODE | Lám. Diagn. | Figr. | Vers. |
|-------------|-------------|-------|-------|-------------|-------------|-------|-------|-------------|-------------|-------|-------|-------------|-------------|-------|-------|
| 847239 | 20 | 13A | | 8648600WN4 | 05 | 14A | | CM149803 | 25 | 02A | | | | | |
| 847240 | 20 | 12A | | 86486100WN4 | 05 | 15A | | CM149804 | 15 | 19A | | | | | |
| 847241 | 20 | 03A | | 864862 | 05 | 30A | | CM149804 | 20 | 22A | | | | | |
| 847241 | 25 | 05A | | 864863 | 05 | 31A | | CM149805 | 24 | 02A | | | | | |
| 847261 | 25 | 04A | | 86486400WN4 | 05 | 24A | | CM149805 | 25 | 07A | | | | | |
| 8472625001 | 15 | 02A | | 865012 | 07 | 26A | | CM149806 | 20 | 23A | | | | | |
| 8472625002 | 15 | 02B | | 865067 | 09 | 06A | | CM149808 | 20 | 24A | | | | | |
| 8472625003 | 15 | 02C | | 865177 | 12 | 02A | | CM149809 | 20 | 26A | | | | | |
| 8472625004 | 15 | 02D | | 865230 | 14 | 01A | | CM1503025 | 20 | 01A | | | | | |
| 847508 | 15 | 01A | | 865257 | 06 | 07A | | CM150703 | 20 | 04A | | | | | |
| 847529 | 15 | 17A | | 865385 | 07 | 31A | | CM150802 | 24 | 01A | | | | | |
| 847541 | 18 | 16A | | 865396 | 05 | 17A | | CM151201 | 16 | 20A | | | | | |
| 847542 | 18 | 14A | | 865396 | 05 | 20A | | CM151902 | 15 | 06A | | | | | |
| 847544 | 18 | 02A | | 865398 | 05 | 47A | | CM152706 | 21 | 01A | | | | | |
| 847545 | 18 | 18A | | 865399 | 05 | 06A | | | | | | | | | |
| 847546 | 18 | 17A | | 865449 | 06 | 14A | | | | | | | | | |
| 847547 | 18 | 34A | | 865451 | 10 | 28A | | | | | | | | | |
| 847548 | 18 | 15A | | 865453 | 04 | 37A | | | | | | | | | |
| 847549 | 18 | 11A | | 865462 | 02 | 01A | | | | | | | | | |
| 847550 | 18 | 13A | | 865463 | 02 | 03A | | | | | | | | | |
| 848501 | 20 | 02A | | 865464 | 02 | 04A | | | | | | | | | |
| 861178 | 05 | 03A | | 865465 | 02 | 05A | | | | | | | | | |
| 861239 | 05 | 33A | | 865466 | 02 | 06A | | | | | | | | | |
| 861239 | 07 | 21A | | 865467 | 02 | 07A | | | | | | | | | |
| 86133R | 03 | 17A | | 865468 | 02 | 08A | | | | | | | | | |
| 86137R | 11 | 06A | | 865470 | 02 | 10A | | | | | | | | | |
| 861417 | 04 | 18A | | 865471 | 02 | 11A | | | | | | | | | |
| 861560 | 06 | 36A | | 865472 | 02 | 12A | | | | | | | | | |
| 861577 | 06 | 33A | | 865473 | 02 | 13A | | | | | | | | | |
| 861760 | 08 | 14A | | 865474 | 02 | 14A | | | | | | | | | |
| 862493 | 13 | 16A | | 865475 | 02 | 15A | | | | | | | | | |
| 862534 | 06 | 11A | | 865476 | 02 | 17A | | | | | | | | | |
| 862535 | 03 | 12A | | 865498 | 08 | 15A | | | | | | | | | |
| 862541 | 13 | 04A | | 865540 | 03 | 04A | | | | | | | | | |
| 862542 | 13 | 32A | | 865541 | 03 | 27A | | | | | | | | | |
| 862543 | 13 | 24A | | 8655420001 | 03 | 19A | | | | | | | | | |
| 862544 | 13 | 25A | | 865544 | 07 | 01A | | | | | | | | | |
| 863008 | 07 | 41A | | 865558 | 03 | 44A | | | | | | | | | |
| 863009 | 07 | 42A | | 86557100WGB | 03 | 01A | | | | | | | | | |
| 863069 | 06 | 04A | | 865575 | 09 | 01A | | | | | | | | | |
| 863143 | 02 | 18A | | 8655800001 | 08 | 18A | | | | | | | | | |
| 863149 | 02 | 02A | | 8655800001 | 09 | 18A | | | | | | | | | |
| 863159 | 02 | 16A | | 8655800002 | 08 | 19A | | | | | | | | | |
| 863372 | 08 | 03A | | 8655800002 | 09 | 19A | | | | | | | | | |
| 863408 | 07 | 23A | | 865587 | 09 | 08A | | | | | | | | | |
| 863693 | 12 | 13A | | 865588B | 05 | 36A | | | | | | | | | |
| 863882 | 06 | 18A | | 865598 | 06 | 17A | | | | | | | | | |
| 86420600WN4 | 07 | 19A | | 865605 | 07 | 54A | | | | | | | | | |
| 864252 | 05 | 16A | | 865608 | 03 | 24A | | | | | | | | | |
| 864252 | 05 | 19A | | 865762 | 07 | 53A | | | | | | | | | |
| 864454 | 05 | 50A | | 866152 | 01 | 01A | | | | | | | | | |
| 8646360003 | 04 | 17A | | 866153 | 05 | 53A | | | | | | | | | |
| 864660 | 07 | 09A | | 866154 | 02 | 09A | | | | | | | | | |
| 864819 | 04 | 02A | | 866155 | 08 | 12A | | | | | | | | | |
| 86484300W0N | 02 | 21A | | 866156 | 10 | 13A | | | | | | | | | |
| 864847 | 08 | 01A | | 871319 | 20 | 30A | | | | | | | | | |
| 864848 | 08 | 10A | | 871688 | 24 | 03A | | | | | | | | | |
| 86485100W0G | 06 | 01A | | 96922R | 25 | 08A | | | | | | | | | |
| 864854 | 05 | 01A | | AP8152339 | 05 | 09A | | | | | | | | | |
| 864855 | 07 | 22A | | AP8152339 | 05 | 22A | | | | | | | | | |
| 864856 | 07 | 27A | | AP8152339 | 05 | 34A | | | | | | | | | |
| 864857 | 04 | 01A | | CM101721 | 21 | 05A | | | | | | | | | |
| 864858 | 05 | 07A | | CM149801 | 20 | 09A | | | | | | | | | |
| 864859 | 05 | 08A | | CM149802 | 19 | 02A | | | | | | | | | |