

# NACIONAL MOTOR, S.A.U. DERBI

C/ Barcelona, nº19 - Martorelles 08107 - BARCELONA (SPAIN)  
Tel. 93 565 78 78 - Fax 93 565 78 52

---

# DERBI



---

## GPR 50cc RACING 2006 E2

---

CÓDIGO CATÁLOGO  
CATALOGUE NUMBER

7077CH06007



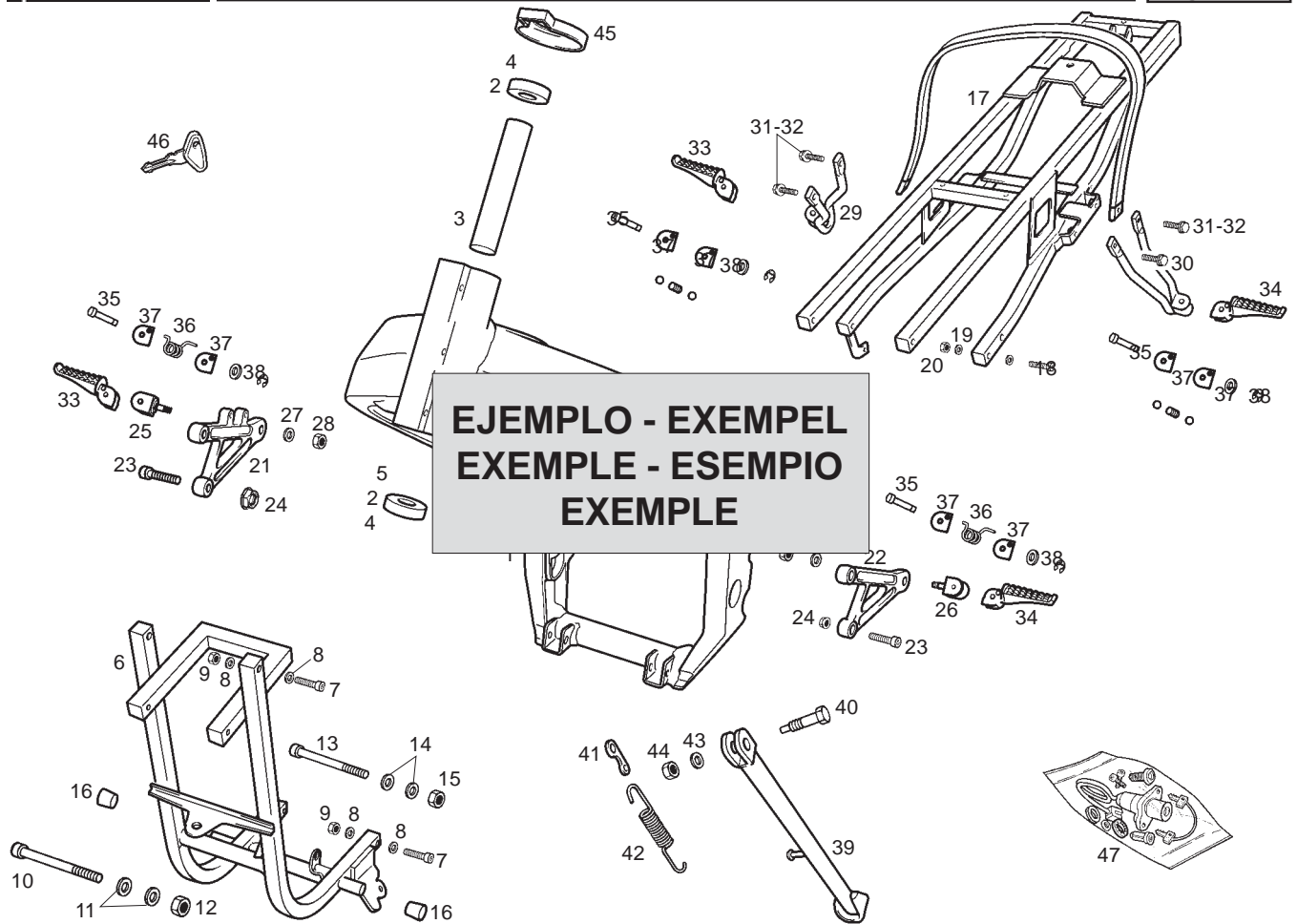


Fig.	Ver.	COD. KOD.	DESCRIPCIÓN DENOMINAZIONE NAME	BEZEICHNUNG DESIGNATION	MOD.	NOTAS NOTES NOTA MITSCHRIFT NOTES
		00G01924601	R-SCTO.CUADRO C/COJIN. ATLANTIS TELAIO FRAME SUB-ASSEMBLY	RHAMEN CADRE COMPLET	12	XXXXXXX
<b>2</b>	01	00G01924601	R-SCTO.CUADRO C/COJIN. ATLANTIS TELAIO FRAME SUB-ASSEMBLY	RHAMEN CADRE COMPLET	12	XXXXXXX
<b>3</b>	02	00G01924601	R-SCTO.CUADRO C/COJIN. ATLANTIS TELAIO FRAME SUB-ASSEMBLY	RHAMEN CADRE COMPLET	12	XXXXXXX
<b>4</b>	03	00G01924601	R-SCTO.CUADRO C/COJIN. ATLANTIS TELAIO FRAME SUB-ASSEMBLY	RHAMEN CADRE COMPLET	12	XXXXXXX

1- Código de localización de piezas. 2- Código indicativo de pieza reemplazada. 3- Código indicativo de pieza anulada. 4- Código indicativo de pieza restituida (esta se monta de nuevo). 5- Código de referencia de la pieza. 6- Identificación de modelos. 7- Los códigos de esta casilla indican que, a partir del número de chasis o motor indicado dentro de esta, se monta una nueva pieza que reemplaza a la anterior (sección 2), que una pieza no se monta (sección 3), o que la pieza anulada se monta de nuevo (sección 4), y concierne a los modelos indicados (sección 6). 8- Denominación de la pieza.

1- Codice di localizzazione pezzi. 2- Codice indicatore del pezzo sostituito. 3- Il pezzo precedente non si monta. 4- Codice indicatore dei pezzi che si tornano a montare. 5- Codice di identificazione del pezzo. 6- Identificazione del modello. 7- Il codice di questa casella indica che, dal numero di Telaio/motore indicato, si monta un nuovo pezzo che sostituisce il precedente (sezione 2), che un pezzo non si monta (sezione 3), oppure che il pezzo annullato si monta di nuovo (sezione 4), facendo riferimento al modello indicato (sezione 6). 8- Denominazione del pezzo.

1- Part location number. 2- Substituted part number. 3- Withdrawn part number (no longer fitted). 4- Restored part number (newly fitted going withdrawn). 5- Part reference number. 6- Model identification number. 7- Chassis or engine number from which a new part is fitted substituting a part which has been withdrawn (see para 2) or a part is withdrawn is fitted again (see para 4), in the models indicated (see para 6). 8- Part identification label.

1- Zeichnungs - Number. 2- Ausführung. 3- Gestrichene Ersatzteilnummer. 4- Ersetzte Ersatzteilnummer. 5- Ersatzteilnummer. 6- Modell - Nummer. 7- Rhamen - order motonummer, für die ein neues teil eingestzt wird, z.b. eine nummer, die geändert (s. para 2), order ein teil, das gestrichen wurde (s. para 3), order ein teil, das vorübergehend verschiedene modelle (s. para 6) 8- Bezeichnung.

1- Code de localisation de la pièce. 2- Code indicateur de pièce remplace par un autre. 3- Code indicateur de pièce annulé (elle n'est plus montée). 4- Code indicateur de pièce restituée (elle se monte à nouveau). 5- Code référence de la pièce. 6- Les codes de cette case indiquent qu'à partir de numero 7- Chassis ou de moteur indiqué, un nouvelle pièce est montée en remplacement d'une autre (section 2), qu'une pièce n'est plus montée (section 3) ou la pièce anulée est montée à nouveau (section 4) et concernant les modèles indiqués (section 6). 8- Denomination de la pièce.

**IDENTIFICACION DE MODELOS REPRESENTADOS EN ESTE  
CATALOGO SEGUN LOS DIGITOS SIGUIENTES**

**IDENTIFICAZIONE DEI MODELLI RAPPRESENTATI IN QUESTO CATALOGO  
SECONDO I NUMERI A SEGUIRE**

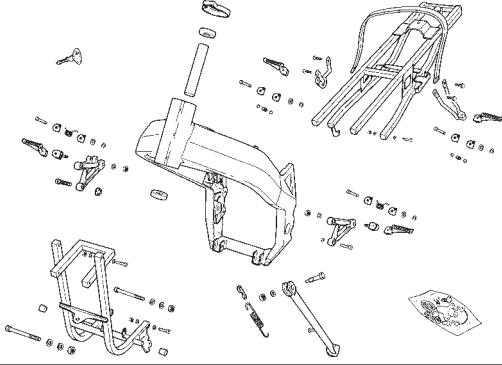
**THE MODELS REFERRED INTO THIS CATALOGUE ARE IDENTIFIED  
BY FOLLOWING NUMBERS**

**BESTIMMUNG DER VERSCHIEDENEN MODELLE IN DIESEM KATALOG**

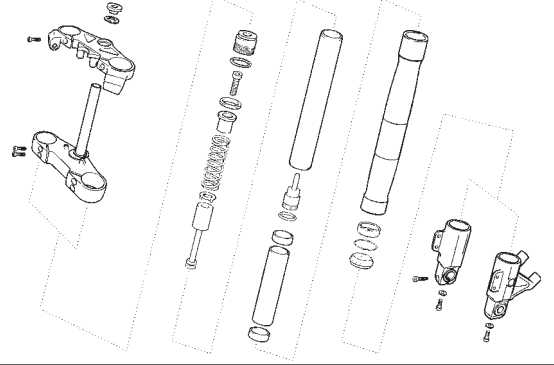
**IDENTIFICATION DES MODELOES REPRESENTES DANS CE CATALOGUE,  
EN FONCTION DES CODES SUIVANTS**

MODELO MODELLI MODEL MODELL MODELE	DENOMINACION DENOMINAZIONE MODEL NAME BEZEICHNUNG DENOMINATION	CODIGO MODELO CODICE MODELLI CODE MODEL KODE MODELL CODE MODELE
1	GPR 50cc RACING 2006 ESPAÑA ROJO <b>(FLUOR)</b> E2 GPR 50cc RACING 2006 FRANCE RED <b>(FLUOR)</b> E2 GPR 50cc RACING 2006 ENGLAND RED <b>(FLUOR)</b> E2 GPR 50cc RACING 2006 ITALY RED <b>(FLUOR)</b> E2	E 92H44 E 630 E 92H44 F 630 E 92H44 G 630 E 92H44 I 630
2	GPR 50cc RACING 2006 ESPAÑA NEGRO <b>(OMBU)</b> E2 GPR 50cc RACING 2006 FRANCE BLACK <b>(OMBU)</b> E2 GPR 50cc RACING 2006 ENGLAND BLACK <b>(OMBU)</b> E2 GPR 50cc RACING 2006 ITALY BLACK <b>(OMBU)</b> E2	E 92H44 E 680 E 92H44 F 680 E 92H44 G 680 E 92H44 I 680

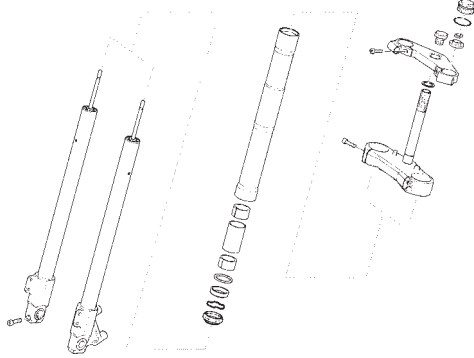
LAMINA / STAMPA / DIAGRAM / BILD / FEUILLE - 1



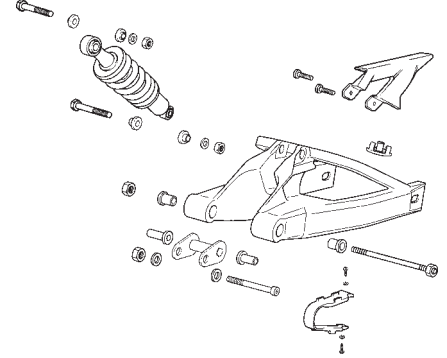
LAMINA / STAMPA / DIAGRAM / BILD / FEUILLE - 2A



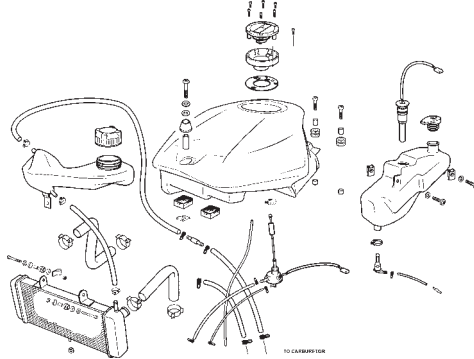
LAMINA / STAMPA / DIAGRAM / BILD / FEUILLE - 2B



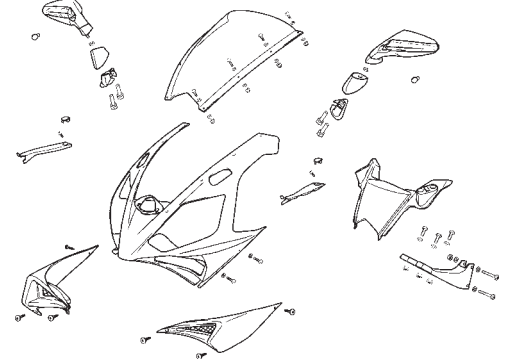
LAMINA / STAMPA / DIAGRAM / BILD / FEUILLE - 3



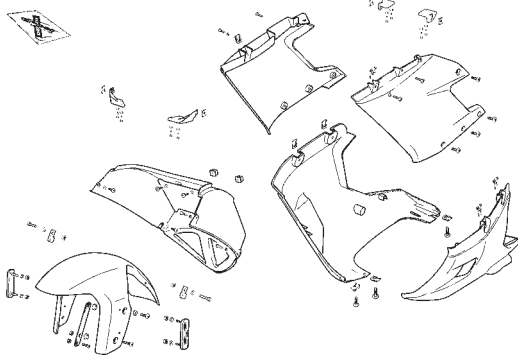
LAMINA / STAMPA / DIAGRAM / BILD / FEUILLE - 4



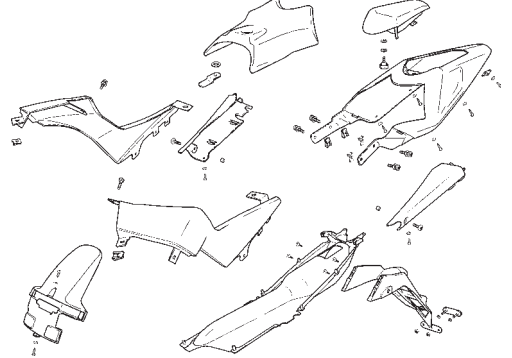
LAMINA / STAMPA / DIAGRAM / BILD / FEUILLE - 5



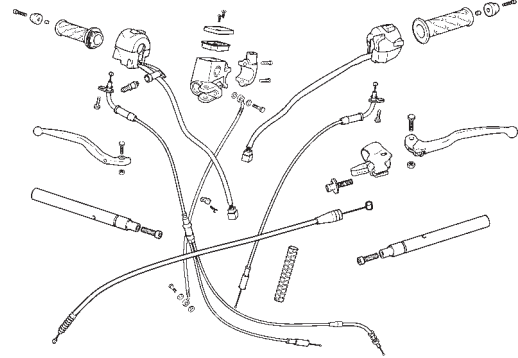
LAMINA / STAMPA / DIAGRAM / BILD / FEUILLE - 6



LAMINA / STAMPA / DIAGRAM / BILD / FEUILLE - 7



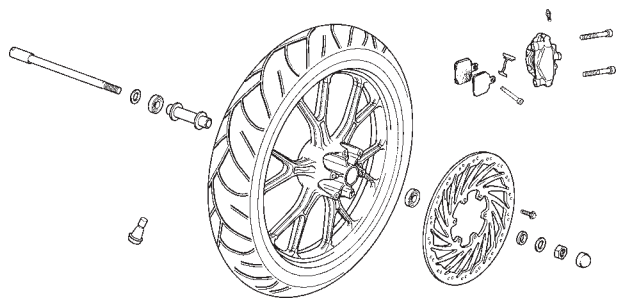
LAMINA / STAMPA / DIAGRAM / BILD / FEUILLE - 8



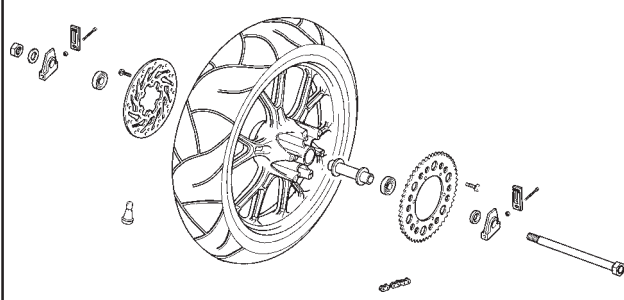
LAMINA / STAMPA / DIAGRAM / BILD / FEUILLE - 9



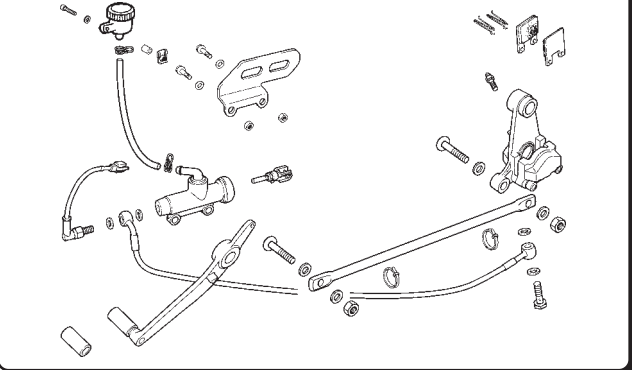
LAMINA / STAMPA / DIAGRAM / BILD / FEUILLE - 10



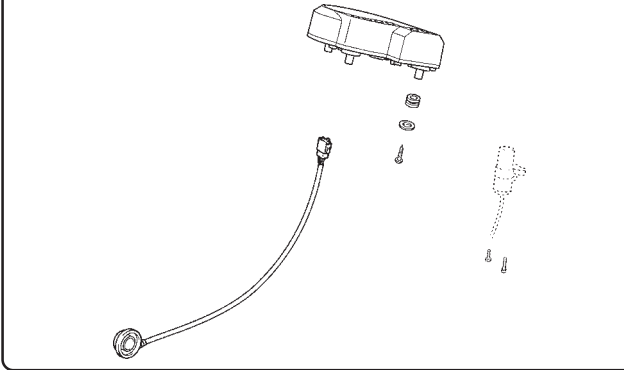
LAMINA / STAMPA / DIAGRAM / BILD / FEUILLE - 11



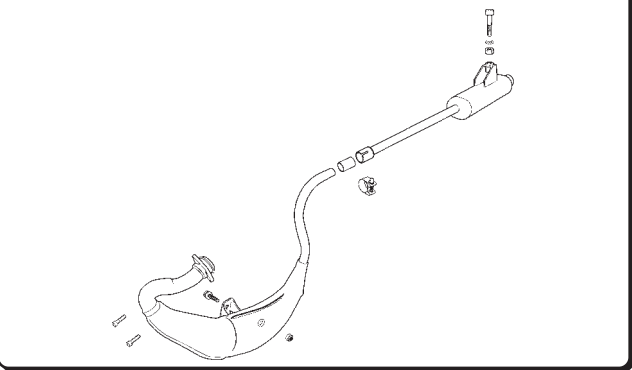
LAMINA / STAMPA / DIAGRAM / BILD / FEUILLE - 12



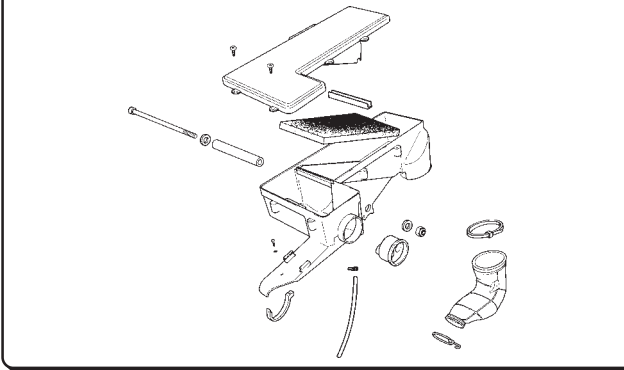
LAMINA / STAMPA / DIAGRAM / BILD / FEUILLE - 13



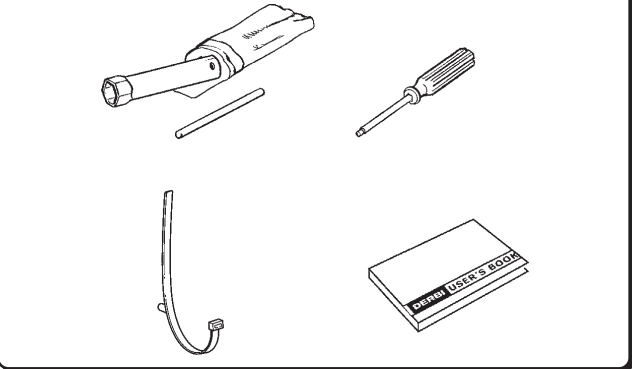
LAMINA / STAMPA / DIAGRAM / BILD / FEUILLE - 14



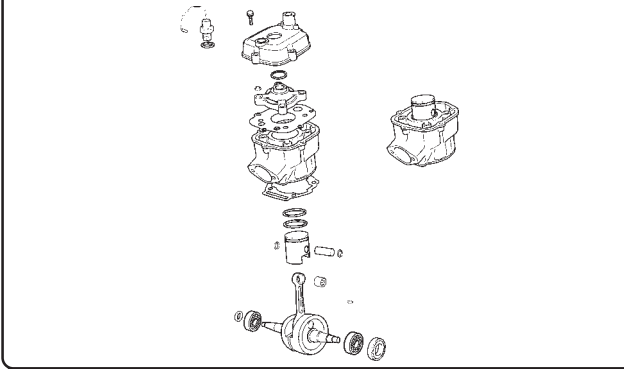
LAMINA / STAMPA / DIAGRAM / BILD / FEUILLE - 15



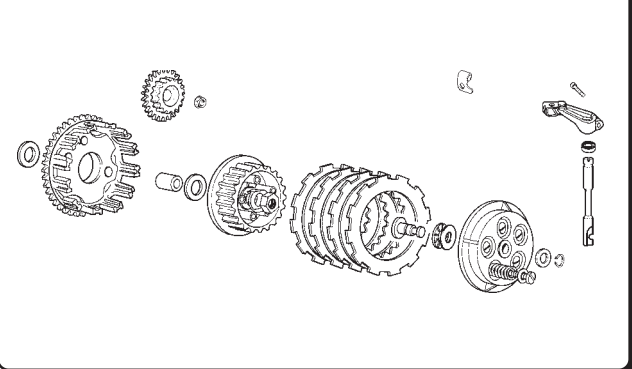
LAMINA / STAMPA / DIAGRAM / BILD / FEUILLE - 16



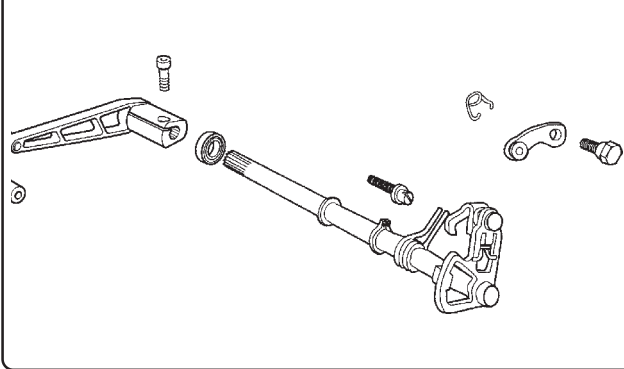
LAMINA / STAMPA / DIAGRAM / BILD / FEUILLE - 17



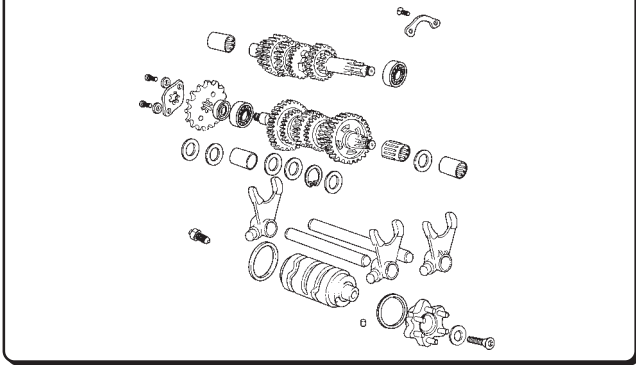
LAMINA / STAMPA / DIAGRAM / BILD / FEUILLE - 18



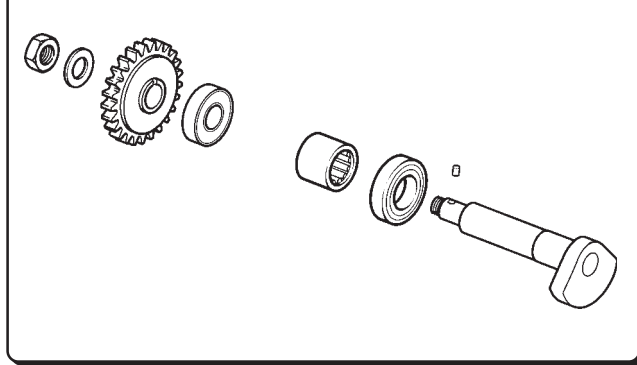
LAMINA / STAMPA / DIAGRAM / BILD / FEUILLE - 19



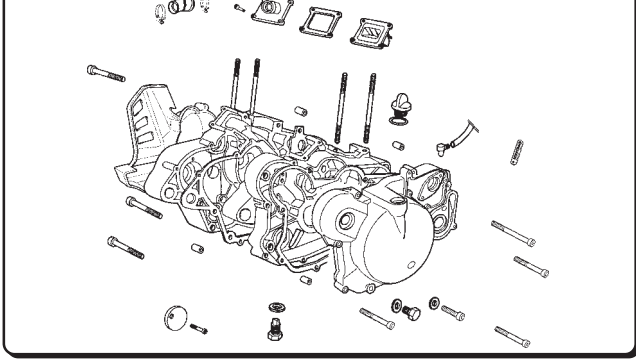
LAMINA / STAMPA / DIAGRAM / BILD / FEUILLE - 20



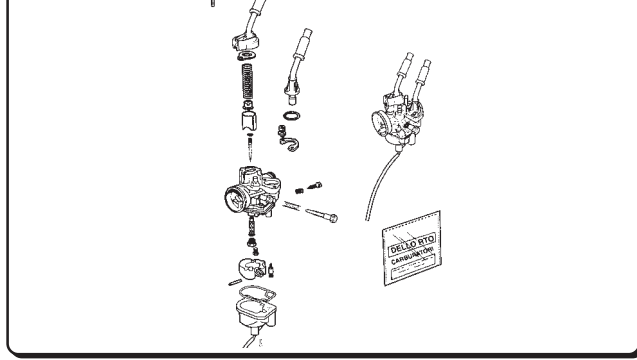
LAMINA / STAMPA / DIAGRAM / BILD / FEUILLE - 21



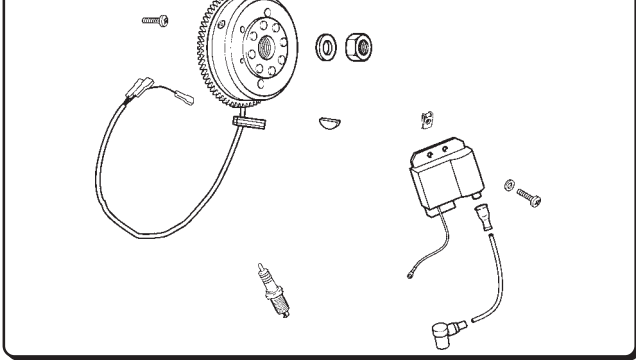
LAMINA / STAMPA / DIAGRAM / BILD / FEUILLE - 22



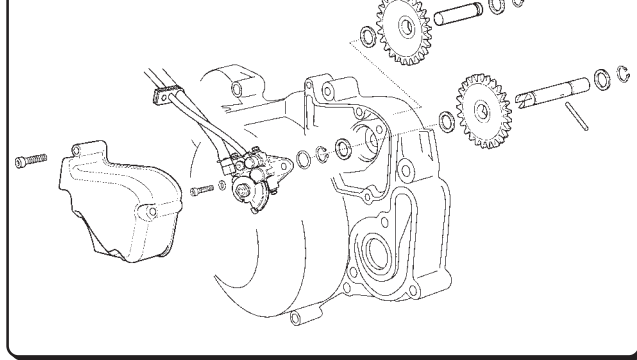
LAMINA / STAMPA / DIAGRAM / BILD / FEUILLE - 23



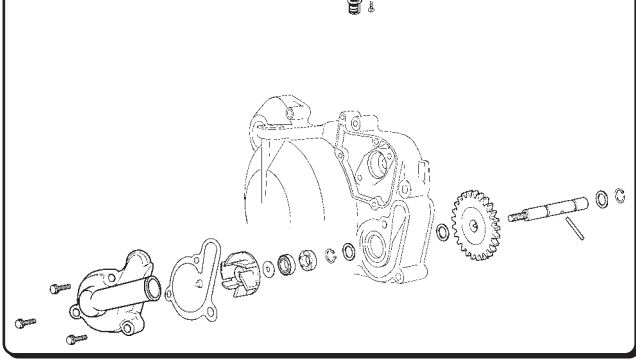
LAMINA / STAMPA / DIAGRAM / BILD / FEUILLE - 24



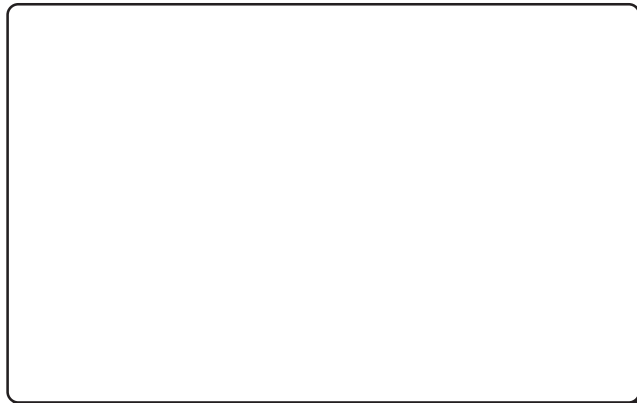
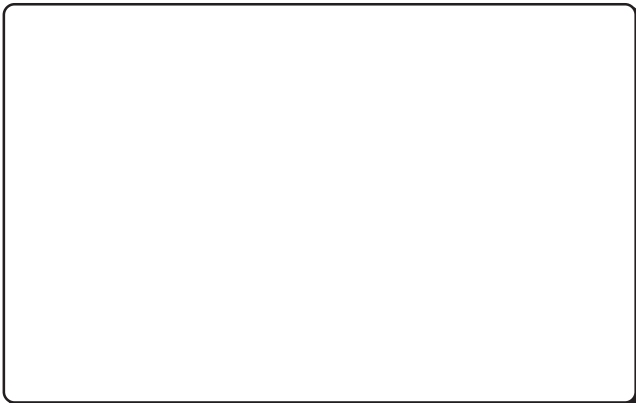
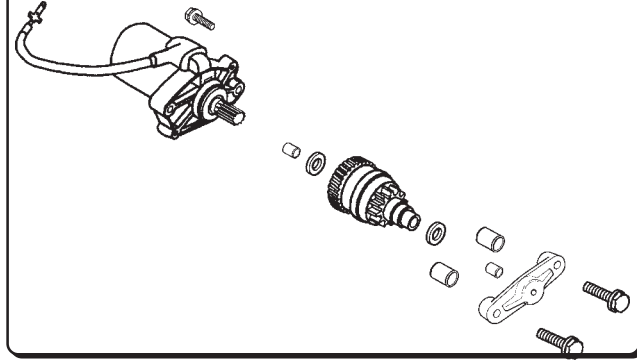
LAMINA / STAMPA / DIAGRAM / BILD / FEUILLE - 25



LAMINA / STAMPA / DIAGRAM / BILD / FEUILLE - 26



LAMINA / STAMPA / DIAGRAM / BILD / FEUILLE - 27



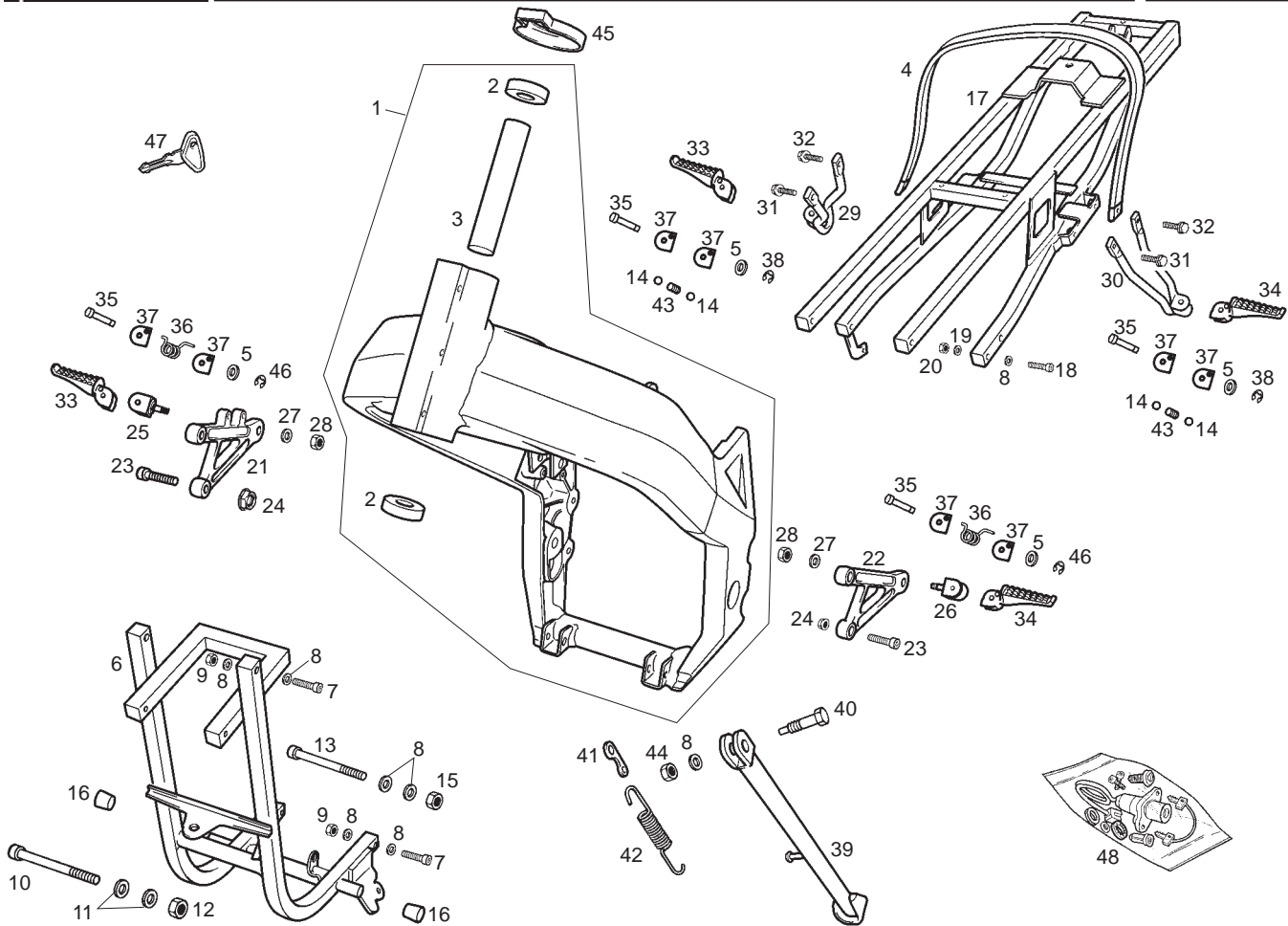


Fig.	Ver.	COD. KOD.	DESCRIPCIÓN DENOMINAZIONE NAME	BEZEICHUNG DESIGNATION	MOD.	NOTAS NOTES NOTA MITSCHRIFT NOTES
01A		00H01979601	CTO CHASIS C/RODAMIENTOS TELAIO FRAME	RAHMEN SOUS ENSEMBLE CADRE	12	
02A		00000056205	COJINETE CUSCINETTO BEARING	KUGELLAGER ROULEMENT	12	
03A		00H06300401	TUBO SEPARADOR TUBO SEPARAZIONE CUSCINETTO ST STEERING BEARING SEPARATOR TUB	DISTANZROHR LENKUNGLAGER TUBE SEPARATION ROULEMENT D	12	
04A		00H04901731	AGARRADERO MANIGLIA HANDLE	HANDGRIFF POIGNÉE	12	
05A		00D01200171	ARANDELA RONDELLA WASHER	U.SCHEIBE RONDELLE	12	
06A		00H00105941	CUNA ANTERIOR CHASIS TELAIO ANT. FRONT FRAME	VORDERER RAHMEN CADRE ANT	12	
07A		00002084011	TORNILLO C/ALLEN 8MX40 VITE SCREW	SCHRAUBE VIS	12	
08A		00402080001	ARANDELA D8 RONDELLA WASHER	U.SCHEIBE RONDELLE	12	
09A		00023108000	TUERCA AUTOBLOCANTE 8M125 DADO NUT	MUTTER ECROU	12	
10A		00H03000272	TORNILLO FIJACION ALLEN 10M150X100 VITE SCREW	SCHRAUBE VIS	12	
11A		00402100001	ARANDELA D10 RONDELLA WASHER	U.SCHEIBE RONDELLE	12	



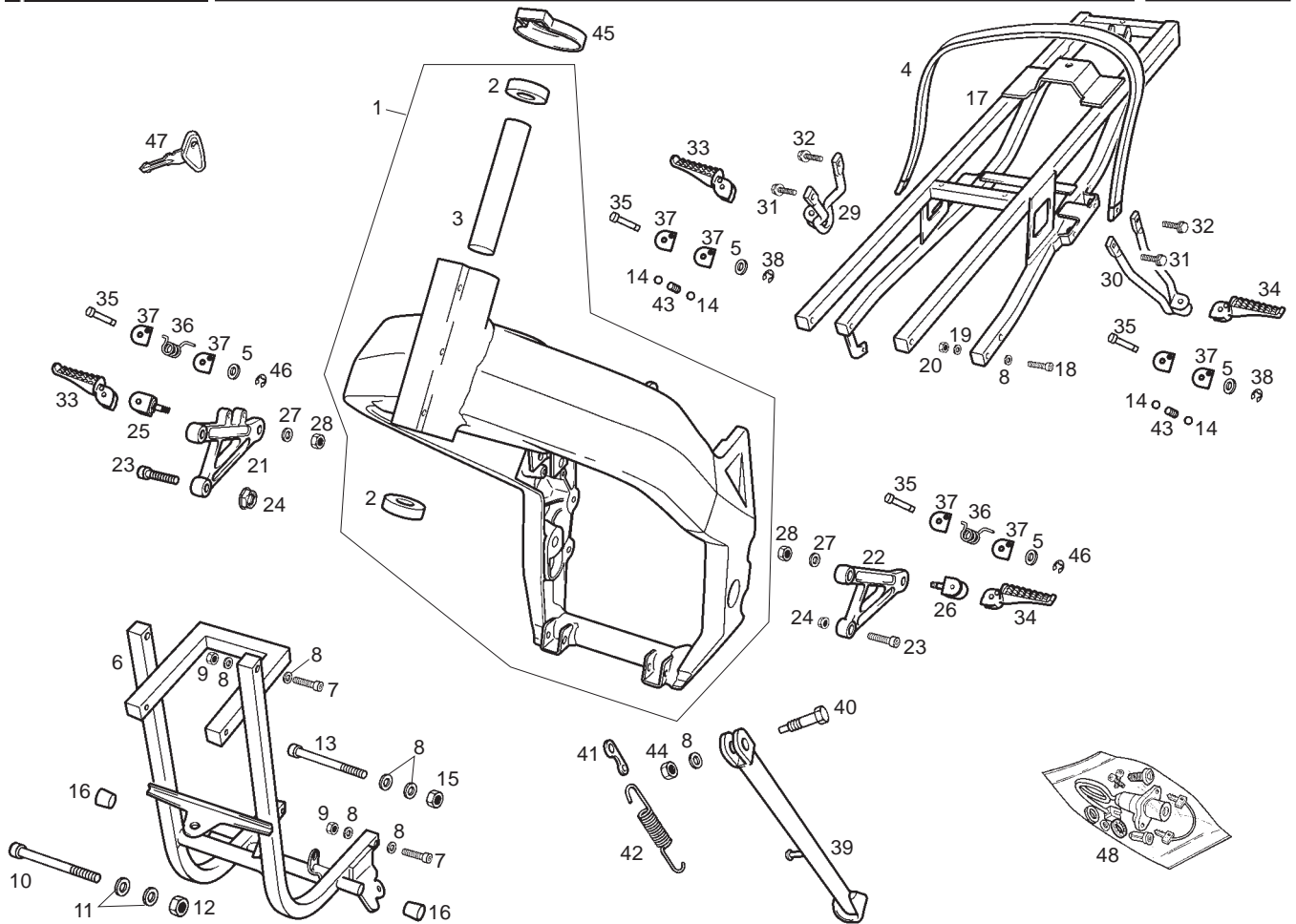


Fig.	Ver.	COD. KOD.	DESCRIPCIÓN DENOMINAZIONE NAME	BEZEICHUNG DESIGNATION	MOD.	NOTAS NOTES NOTA MITSCHRIFT NOTES
12A		00262100032	TUERCA 10M150 DADO NUT	MUTTER ECROU	12	
13A		00H02500272	TORNILLO ALLEN 8M125X90 VITE SCREW	SCHRAUBE VIS	12	
14A		00000061061	BOLA D6 PALLA BALL	KUGEL BILLE	12	
15A		00262080022	TUERCA 8M125 DADO NUT	MUTTER ECROU	12	
16A		00H01504301	TOPE TAPA LATERAL TAPPO CAP	KAPPE BOUCHON	12	
17A		00H00108341	SUBCHASIS POSTERIOR TELAIO POST REAR FRAME	HINTERER RHAMEN CADRE ARRIERE	12	
18A		00004184001	TORNILLO C/ALLEN 8MX40 VITE SCREW	SCHRAUBE VIS	12	
19A		00442080002	ARANDELA MUELLE D8 RONDELLA WASHER	U.SCHEIBE RONDELLE	12	
20A		00023108000	TUERCA AUTOBLOCANTE 8M125 DADO NUT	MUTTER ECROU	12	
21A		00H01504121	SOPORTE ESTRIBO PILOTO DR SUPPORTO APPOGGIO DX. RIGHT FOOTREST SUPPORT	FUSSRASTER STUTZ RECHTS APPUI REPOSE PIED DROIT	12	
22A		00H01501131	SOPORTE ESTRIBO PILOTO IZQ SUPPORTO APPOGGIO SX. LEFT FOOTREST SUPPORT	FUSSRASTER STUTZ LINKS APPUI REPOSE PIED GAUCHE	12	

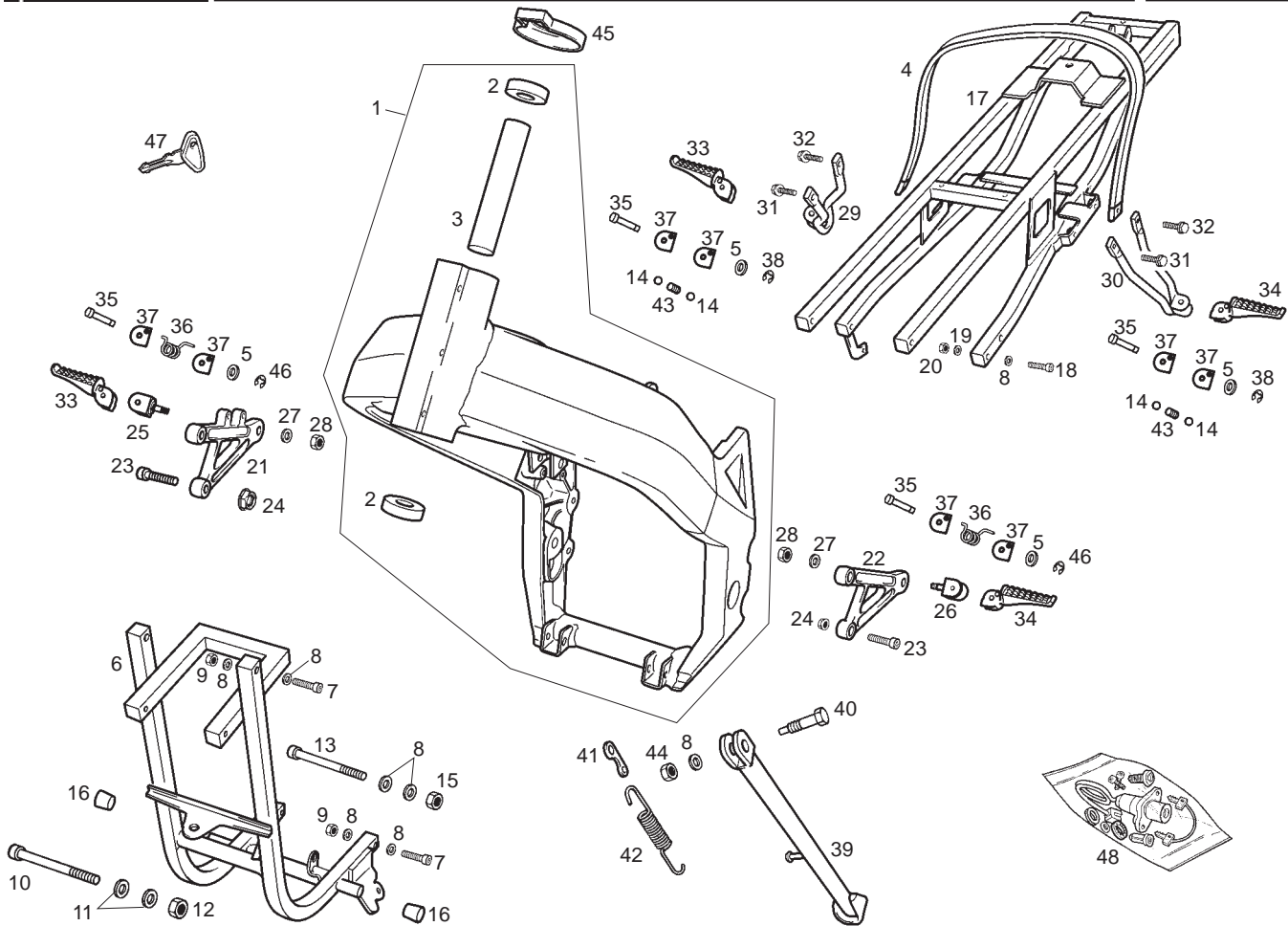


Fig.	Ver.	COD. KOD.	DESCRIPCIÓN DENOMINAZIONE NAME	BEZEICHUNG DESIGNATION	MOD.	NOTAS NOTES NOTA MITSCHRIFT NOTES
23A		00002083001	TORNILLO C/ALLEN 8M125X30 VITE SCREW	SCHRAUBE VIS	12	
24A		00023108000	TUERCA AUTOBLOCANTE 8M125 DADO NUT	MUTTER ECROU	12	
25A		00H02202311	SOP. ESTRIBERA PILOTO DERECHO SUPPORTO APPOGGIO FOOTREST SUPPORT	FUSSRASTER STUTZ APPUI REPOSE PIED	12	
26A		00H02202301	SOP. ESTRIBERA PILOTO IZQUIERDO SUPPORTO APPOGGIO FOOTREST SUPPORT	FUSSRASTER STUTZ APPUI REPOSE PIED	12	
27A		00402080001	ARANDELA D8 RONDELLA WASHER	U.SCHEIBE RONDELLE	12	
28A		00023108000	TUERCA AUTOBLOCANTE 8M125 DADO NUT	MUTTER ECROU	12	
29A		00H00105702	SOPORTE ESTRIBERA DR. PASAJERO APPOGGIO DX. RIGHT FOOTREST	FUSSRASTER RECHTS REPOSE PIED DROIT	12	
30A		00H00105672	SOPORTE ESTRIBERA IZQ. PASAJERO APPOGGIO SX. LEFT FOOTREST	FUSSRASTER LINKS REPOSE PIED GAUCHE	12	
31A		00006082000	TORNILLO EX. C/BRIDA 8M125X20 VITE SCREW	SCHRAUBE VIS	12	
32A		00006083000	TORNILLO EX. C/BRIDA 8M125X30 VITE SCREW	SCHRAUBE VIS	12	
33A		00H01507091	ESTRIBERA PILOTO DERECHA APPOGGIO DX. RIGHT FOOTREST	FUSSRASTER RECHTS REPOSE PIED DROIT	12	

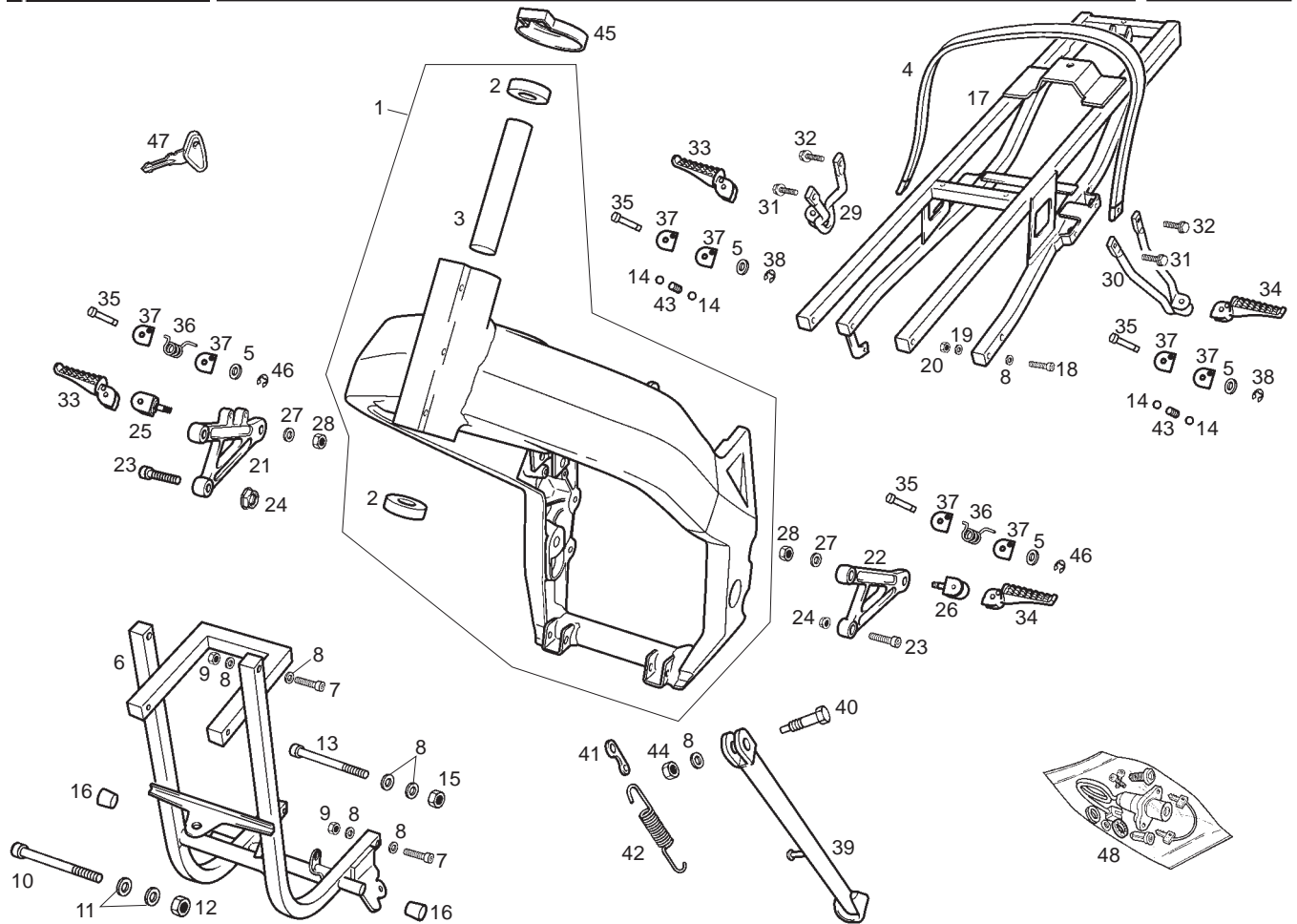


Fig.	Ver.	COD. KOD.	DESCRIPCIÓN DENOMINAZIONE NAME	BEZEICHUNG DESIGNATION	MOD.	NOTAS NOTES NOTA MITSCHRIFT NOTES
34A		00H01507451	ESTRIBERA PILOTO IZQUIERDA APPOGGIO SX. LEFT FOOTREST	FUSSRASTER LINKS REPOSE PIED GAUCHE	12	
35A		00H04902311	EJE ARTICULACION ESTRIBERA ASSE SNODO PORTASTAFFA FOOTREST HINGE PIN	FUSSRASTEN-GELENKACHSE AXE ARTICULATION TRIER	12	
36A		00H04901291	MUELLE FIJACION ESTRIBERA MOLLA FISSAGGIO PREDELLINO PILLION FOOTREST SECURING	FEDER RESSORT	12	
37A		00H04903401	SOPORTE FIJACION ESTRIBERA SUPPORTO FISSAGGIO PREDELLINO PILLION FOOTREST SECURING BRA	HALTERUNG BEIFAHREER-FUSSRASTE SUPPORT FIXATION TRIER PASSAG	12	
38A		00047030400	ANILLO SEGURIDAD D4 ANELLO SICUREZZA CIRCLIP	SICHERHEETSRING ANNEAU SECURITE	12	
39A		00H00827011	PATA CABALLETE ZAMPA CAVALETTO SIDE STAN SUB-ASSY	SEITENSTANDER BEQUILLE LATERALE	12	
40A		00H00805072	EJE GIRO PATA CABALLETE VITE FISSAGGIO ZAMPA CAVALLETT SIDE STAND LEG SECURING SCREW	BEFESTIGUNGSSCHARAUBE STND. VIS FIXATION BEQUILLE	12	
41A		00H00800422	PLACA RETORNO CABALLETE PIASTRINA RITORNO CAVALLETTO G SPRING KIK-STAND SUPPORT	PLATTE F. GESTELLRUCKFUHRU SUPPORT RESSORT DE BEQUILLE	12	
42A		00H00803082	MUELLE PATA CABALLETE MOLLA ZAMPA CAVALLETTO SIDE STAND SPRING	FEDER GESTELLFUSS AUSSEN RESSORT DE BEQUILLE	12	
43A		00H04902291	MUELLE FIJACION ESTRIBERA MOLLA SPRING	FEDER RESSORT	12	
44A		00023108000	TUERCA AUTOBLOCANTE 8M125 DADO NUT	MUTTER ECROU	12	

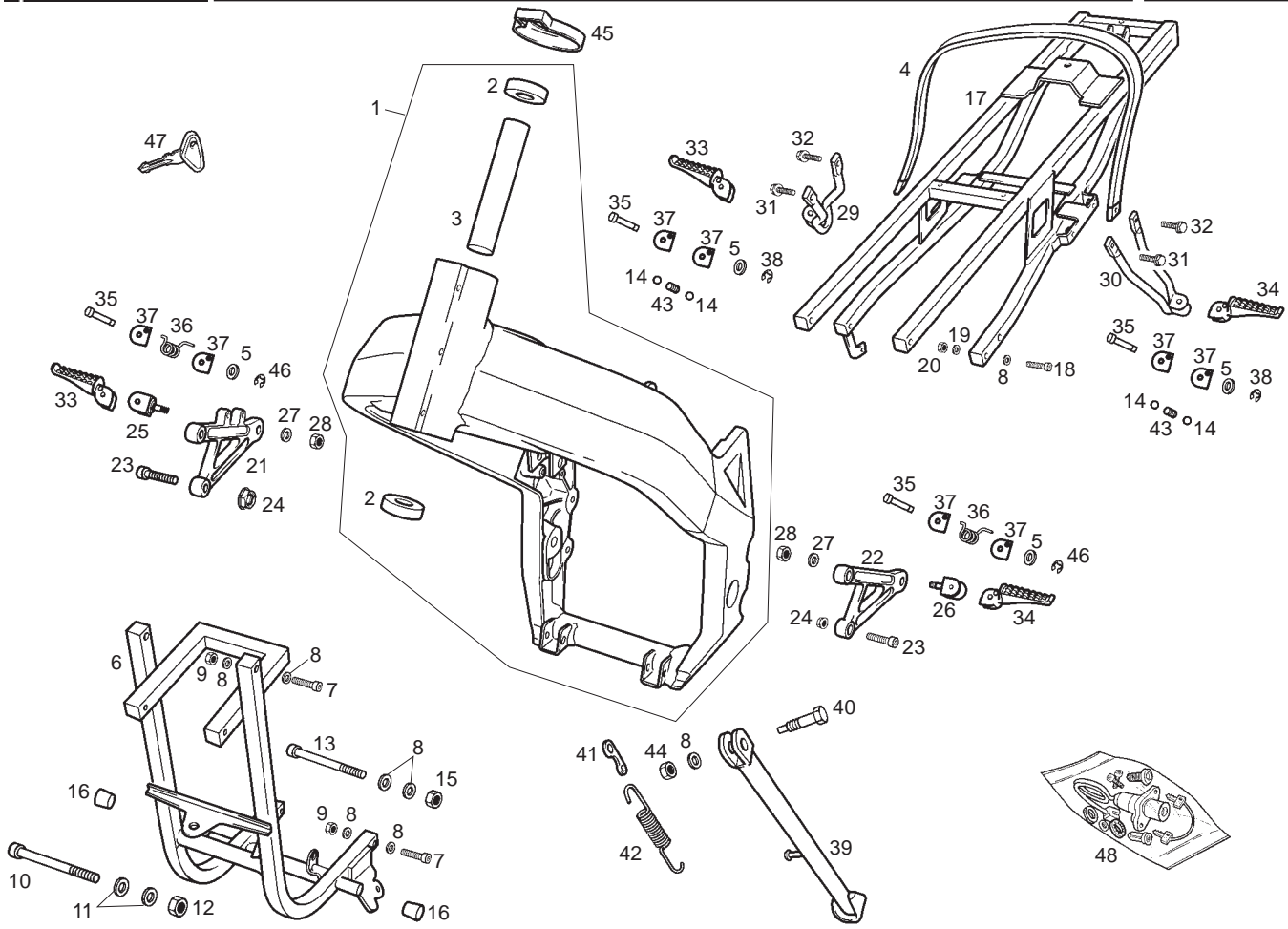


Fig.	Ver.	COD. KOD.	DESCRIPCIÓN DENOMINAZIONE NAME	BEZEICHNUNG DESIGNATION	MOD.	NOTAS NOTES NOTA MITSCHRIFT NOTES
45A		00H00203761	GUARDAPOLVO DIRECCION TAPPO CAP	KAPPE BOUCHON	12	
46A		00047030400	ANILLO SEGURIDAD D4 ANELLO SICUREZZA CIRCLIP	SICHERHEITSRING ANNEAU SECURITE	12	
47A		00H01801411	LLAVE POR MECANIZAR CHIAVE LOCK KEYS	SCHLUSSEL CLEF	12	
48A		00H05910251	KIT CERRADURAS SIN LEVAS SERRATURE SENZA LEVA LOCK WITH KEYS WITHOUT LEVER	SCHLOOS-SATZ OHNE VERSCHLUSSHEBEL ENS. KIT SERRURES SANS LEVIER	12	

**SEBAC**

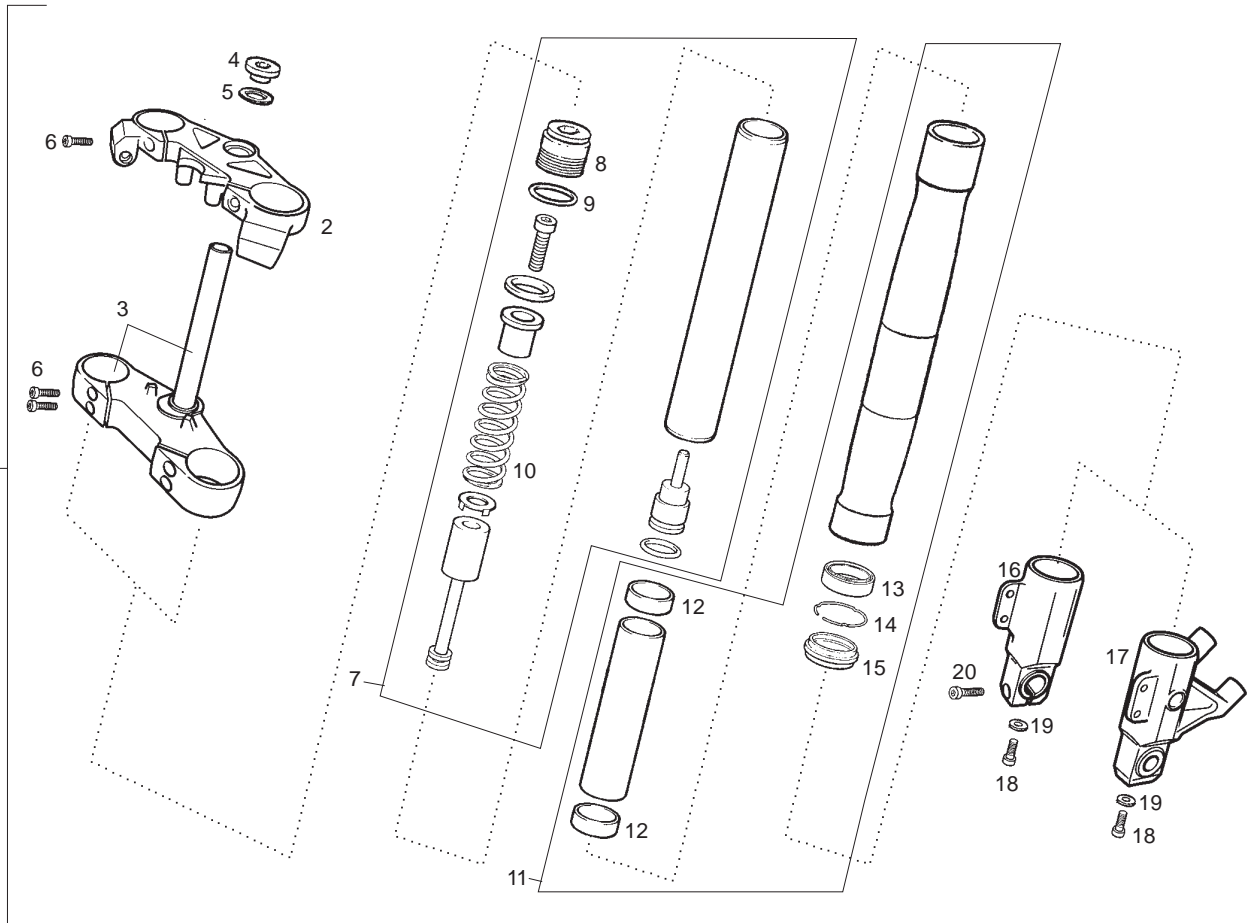
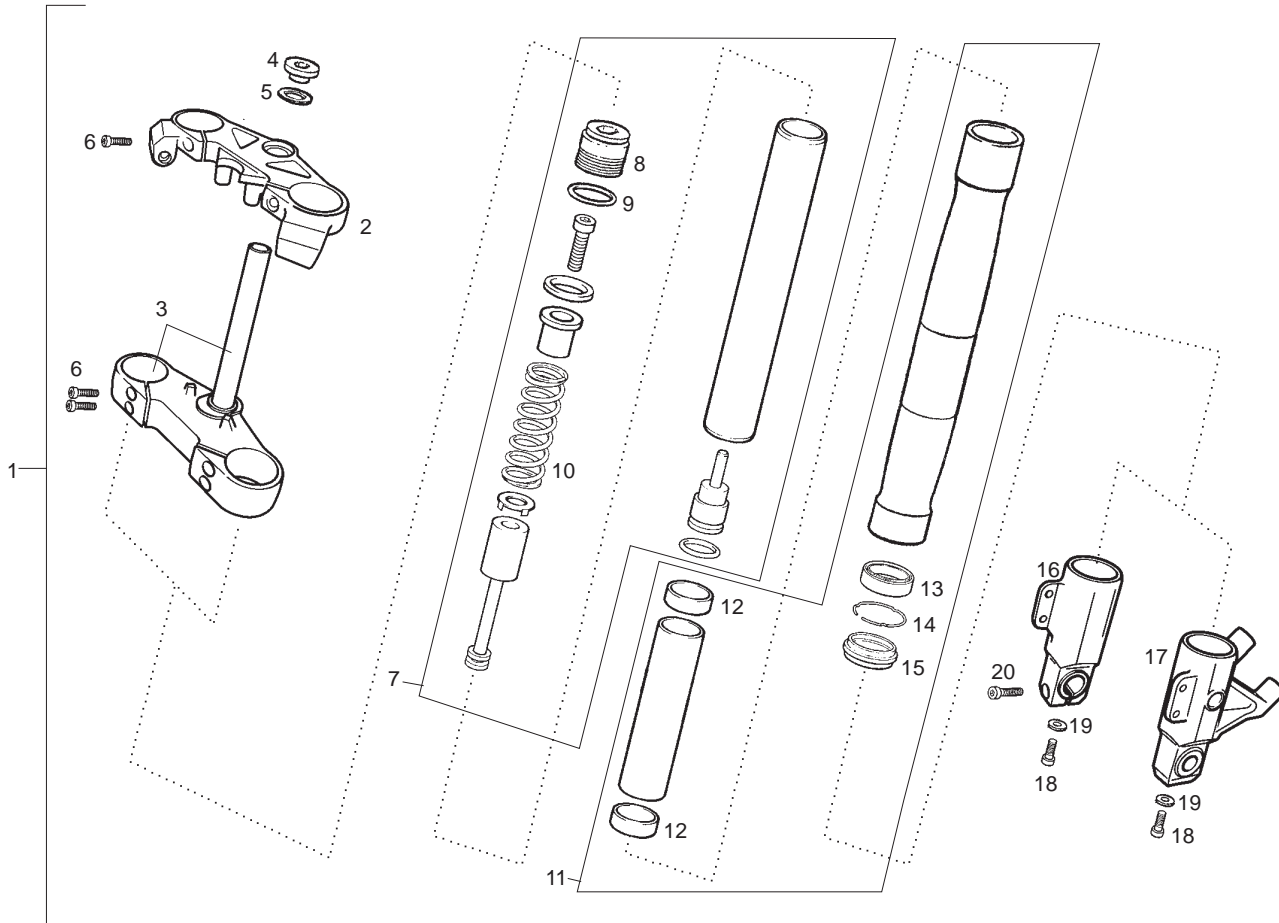


Fig.	Ver.	COD. KOD.	DESCRIPCIÓN DENOMINAZIONE NAME	BEZEICHNUNG DESIGNATION	MOD.	NOTAS NOTES NOTA MITSCHRIFT NOTES
01A		00H00235001	CTO. HORQUILLA FORCELLA FRONT FORK	GRUPPE LENKUNGSGABEL FOURCHE AVANT	12	UNTIL FRAME 6H309787
02A		00H00217091	R-PLATINA SUPERIOR FLANGIA SUPERIORE FGRCCELLA R-UPPER FORK PLATE	E-TEIL OBERE GABELPLATTE R-PLATINE SUPRIEURE FOURCHE G	12	UNTIL FRAME 6H309787
03A		00H00217011	TIJA-PLATINA INFERIOR SUBFUSTO PIASTRA LOWER TRIPLE CLAMP	SATTELSTANGE-PLATTE PLATINE INF. AVEC PIVOT	12	UNTIL FRAME 6H309787
04A		00H00207111	TUERCA FIJACION TIJA FISSAGGIO CANNELLO FORCE STEERING STEM NUT	MUTTER Z. BEF. SATTELSTANGE-GA ECROU FIX PIVOT	12	UNTIL FRAME 6H309787
05A		00H00206101	ARANDELA FIJACION TIJA RONDELLA FISS. FUSTO FORC. STEERING STEM WASHER	SCHEIBE Z. BEF. SATTELSTANGE-G RONDELLE FIX PIVOT	12	UNTIL FRAME 6H309787
06A		00000004825	TORNILLO C/ALLEN 8M125X25 VITE SCREW	SCHRAUBE VIS	12	UNTIL FRAME 6H309787
07A		00H00208531	TUBO HIDRAULICO TUBO IDRAULICO HYDRAULIC TUBE	HYDRAULISCHRHOR TUBE DE FOURCHE HYDRAULIQUE	12	UNTIL FRAME 6H309787
08A		00H00208271	TAPON PIERNA TAPPO GAMBA FORCELLA FORK TUBE CAP	PFROPFEN F. GABELSCHENKEL BOUCHON	12	UNTIL FRAME 6H309787
09A		00H00204501	ANILLO TORICO TAPON PIERNA ANELLO TORICO TAPPO TUBO GA R-FORK LEG TUBE STOPPER 0-RIN	E-TEIL 0-RING GABELBEIN-PFROPF JOINT	12	UNTIL FRAME 6H309787
10A		00H00216171	MUELLE HORQUILLA MOLLA FORCELLA FORK SPRING	GABELFEDER RESSORT DE FOURCHE	12	UNTIL FRAME 6H309787
11A		00H02002031	TUBO PRINCIPAL TUBO PRINCIPALE FORK TUBE, UPPER	HAUPTROHR TUBE DE FOURCHE	12	UNTIL FRAME 6H309787



**SEBAC**

Fig.	Ver.	COD. KOD.	DESCRIPCIÓN DENOMINAZIONE NAME	BEZEICHNUNG DESIGNATION	MOD.	NOTAS NOTES NOTA MITSCHRIFT NOTES
12A		00H00208151	CASQUILLO GUIA PIERNA GHIERA GUIDAGGIO GAMBA FORCELLA BUSHING	FUHRUNGSBUCHSE GABELSCHENKEL ENTRETOISE	12	UNTIL FRAME 6H309787
13A		00H00205471	RETEN PIERNA GIUNTO TENUTA GAMBA FORCELLA SEAL, FORK TUBE.	DICHRING JOINT SPI FOURCHE	12	UNTIL FRAME 6H309787
14A		00H00205601	ARANDELA BASE RETEN PIERNA RONDELLA BASE ANELLO TENUTA G FORK LEG BASE WASHER SEAL	DICHRING GABELBEIN RONDELLE BASE APPUIE-JAMBE-FOU	12	UNTIL FRAME 6H309787
15A		00H00206231	GUARDAPOLVO PARAPOLVERE DUSTGUARD	SCHMUTZBLECH CACHE-POUSSIORE	12	UNTIL FRAME 6H309787
16A		00H02007831	PUNTERA DERECHA HORQUILLA RICAMBIO PUNTA DESTRA FORCELL R-RIGHT HAND SIDE FORK END PI	E-TEIL QABELENDRE RECHTS R-BOUCHON EXTRMIT DROITE FOU	12	UNTIL FRAME 6H309787
17A		00H02008821	PUNTERA IZQUIERDA HORQUILLA RICAMBIO PUNTA SINISTRA FORCE R-LEFT HAND SIDE FORK END PIE	E-TEIL GABELENDRE LINKS R-BOUCHON EXTRMIT GAUCHE FOU	12	UNTIL FRAME 6H309787
18A		00000004835	TORNILLO C/ALLEN 8M125X35 VITE SCREW	SCHRAUBE VIS	12	UNTIL FRAME 6H309787
19A		00034000802	ARANDELA ESTRELLA INT. D8 RONDELLA WASHER	SCHEIBE RONDELLE	12	UNTIL FRAME 6H309787
20A		00002083001	TORNILLO C/ALLEN 8M125X30 VITE SCREW	SCHRAUBE VIS	12	UNTIL FRAME 6H309787

**MARZOCCHI**

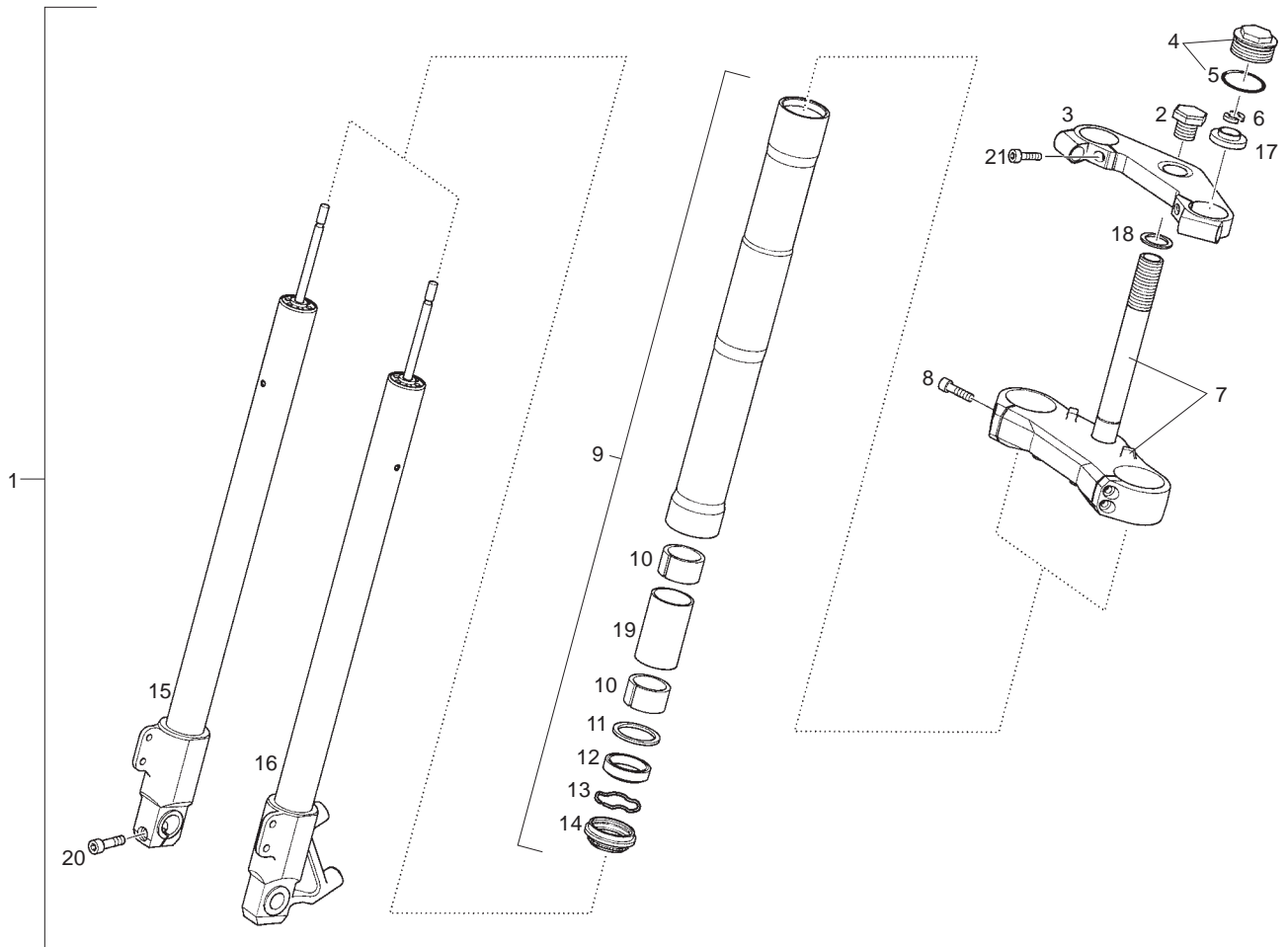
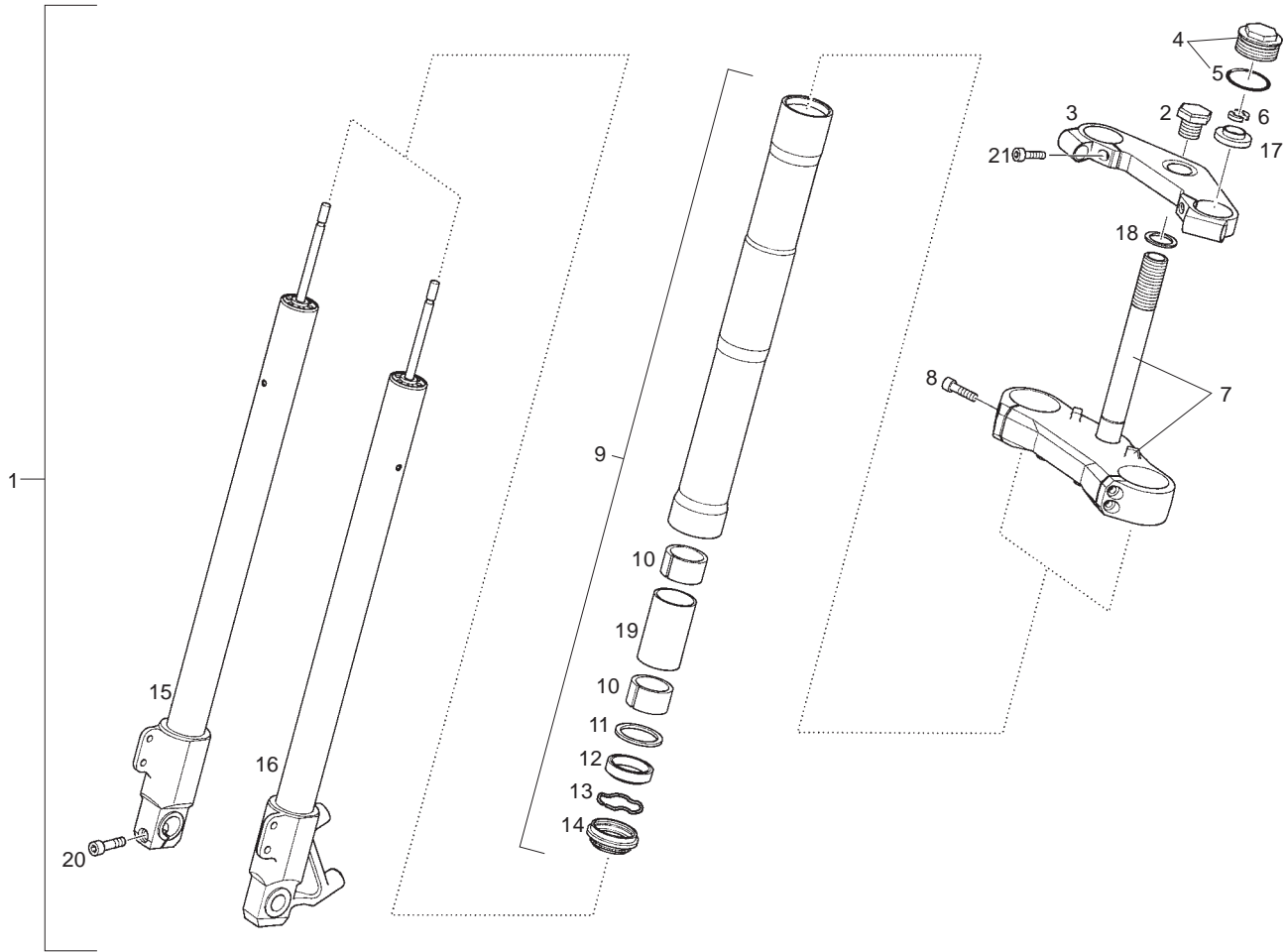


Fig.	Ver.	COD. KOD.	DESCRIPCIÓN DENOMINAZIONE NAME	BEZEICHUNG DESIGNATION	MOD.	NOTAS NOTES NOTA MITSCHRIFT NOTES
01A		00H00235001	HORQUILLA FORCELLA DIRETTRICE FRONT FORK ASSY	GRUPPE LENKUNGSGABEL ENSEMBLE FOURCHE AVANT	12	SINCE FRAME 6H309787
02A		861627	TUERCA FIJACION PLATINA DADO NUT	MUTTER ECROU	12	SINCE FRAME 6H309787
03A		861628	PLATINA SUPERIOR TESTATA SUPERIORE R-UPPER FORK PLATE	E-TEIL OBERE GABELPLATTE R-PLATINE SUPRIEURE FOURCHE G	12	SINCE FRAME 6H309787
04A		00H02006541	TAPON PIERNA HORQUILLA TAPPO GAMBA FORCELLA FORK TUBE CAP	PFROPFEN F. GABELSCHENKEL BOUCHON	12	SINCE FRAME 6H309787
05A		00H00206501	ANILLO TAPON PIERNA ANELLO TORICO TAPPO TUBO GA R-FORK LEG TUBE STOPPER O-RIN	E-TEIL O-RING GABELBEIN-PFROPF JOINT	12	SINCE FRAME 6H309787
06A		00H00200721	SEMI-ARANDELA SEMI RONDELLA HALF RING	SCHEIBE RONDELLE	12	SINCE FRAME 6H309787
07A		861629	TIJA PLATINA SUBFUJSTO PIASTRA LOWER TRIPLE CLAMP, W/PIN ASS	SATTELSTANGE-PLATTE PLATINE INF. AVEC PIVOT	12	SINCE FRAME 6H309787
08A		861630	TORNILLO FIJACION 8X35 VITE SCREW	SCHRAUBE VIS	12	SINCE FRAME 6H309787
09A		861631	R-CTO PIERNA HORQUILLA GAMBA OUTER TUBE UNIT	BEIN JAMBE	12	SINCE FRAME 6H309787
10A		00H00210151	CASQUILLO GUIA BOCCOLO BUSH	BUCHSE JOINT	12	SINCE FRAME 6H309787
11A		00H00201441	ARANDELA CASQUILLO GUIA RONDELLA WASHER	SCHEIBE RONDELLE	12	SINCE FRAME 6H309787



**MARZOCCHI**

Fig.	Ver.	COD. KOD.	DESCRIPCIÓN DENOMINAZIONE NAME	BEZEICHNUNG DESIGNATION	MOD.	NOTAS NOTES NOTA MITSCHRIFT NOTES
12A		00H00203471	RETEN ACEITE ANELLO TENUTA SEAL	DITCHRING JOIN	12	SINCE FRAME 6H309787
13A		00H00200701	ANILLO RETEN ACEITE ANELLO STOP RING	RING ANNEAU	12	SINCE FRAME 6H309787
14A		00H00202231	GUARDAPOLVO PARAPOLVERE DUSTGUARD	SCHMUTZBLECH CACHE-POUSSIÈRE	12	SINCE FRAME 6H309787
15A		861632	R-CTO HIDRAULICO C/PUNTERA DR RICAMBIO PUNTA DESTRA FORCELL R-RIGHT HAND SIDE FORK END PIE	E-TEIL QABELENDRE RECHTS R-BOUCHON EXTRMIT DROITE FOU	12	SINCE FRAME 6H309787
16A		861633	R-CTO HIDRAULICO C/PUNTERA IZQ RICAMBIO PUNTA SINISTRA FORCE R-LEFT HAND SIDE FORK END PIE	E-TEIL GABELENDRE LINKS R-BOUCHON EXTRMIT GAUCHE FOU	12	SINCE FRAME 6H309787
17A		00H00207601	ARANDELA TOPE MUELLE RONDELLA WASHER	SCHEIBE RONDELLE	12	SINCE FRAME 6H309787
18A		861634	ARANDELA RONDELLA WASHER	SCHEIBE RONDELLE	12	SINCE FRAME 6H309787
19A		861635	TUBO SEPARADOR DISTANZIALE DISTANCE BUSH	TRENNSTÜCK ENTRETOISE DE ROULEMENT	12	SINCE FRAME 6H309787
20A		00H00200831	TORNILLO FIJACION 8X30 VITE SCREW	SCHRAUBE VIS	12	SINCE FRAME 6H309787
21A		861636	TORNILLO FIJACION 8X25 VITE SCREW	SCHRAUBE VIS	12	SINCE FRAME 6H309787



**PIEZAS SIN CALCAS  
PARTS WITHOUT DECALS**

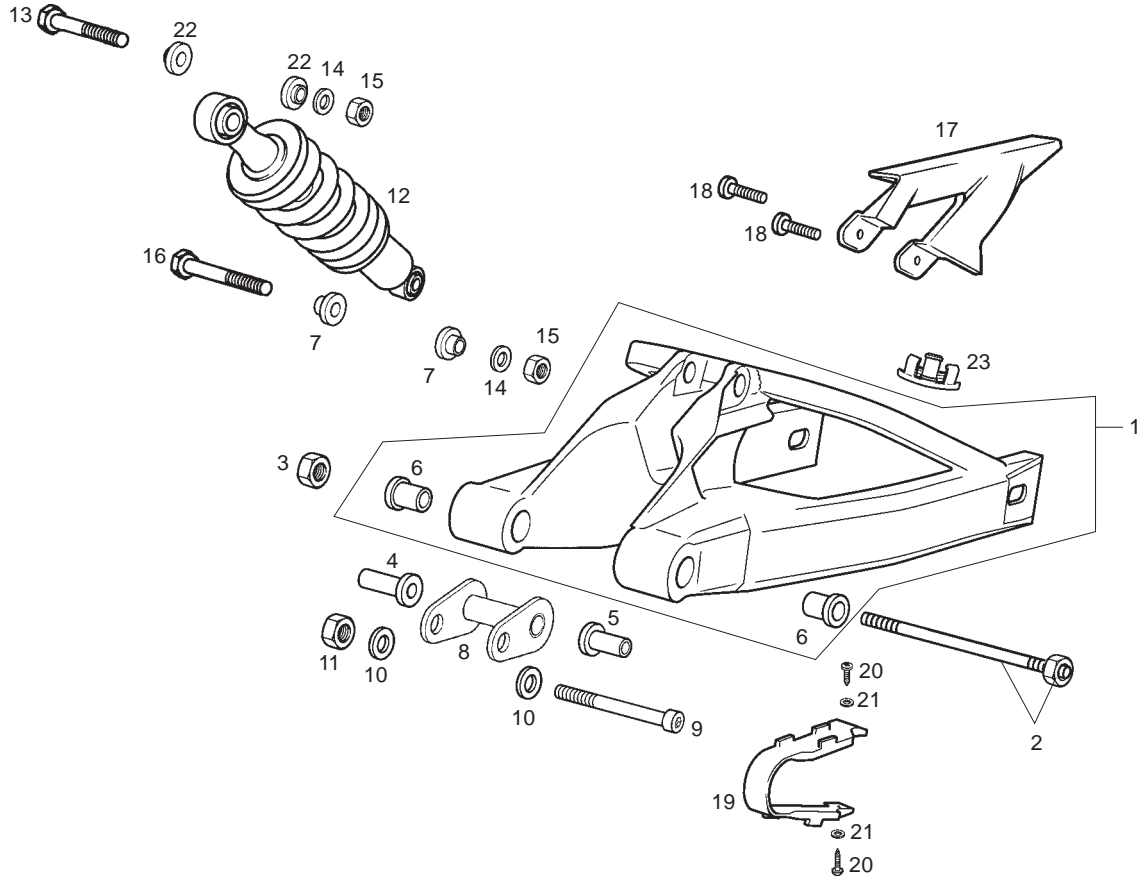
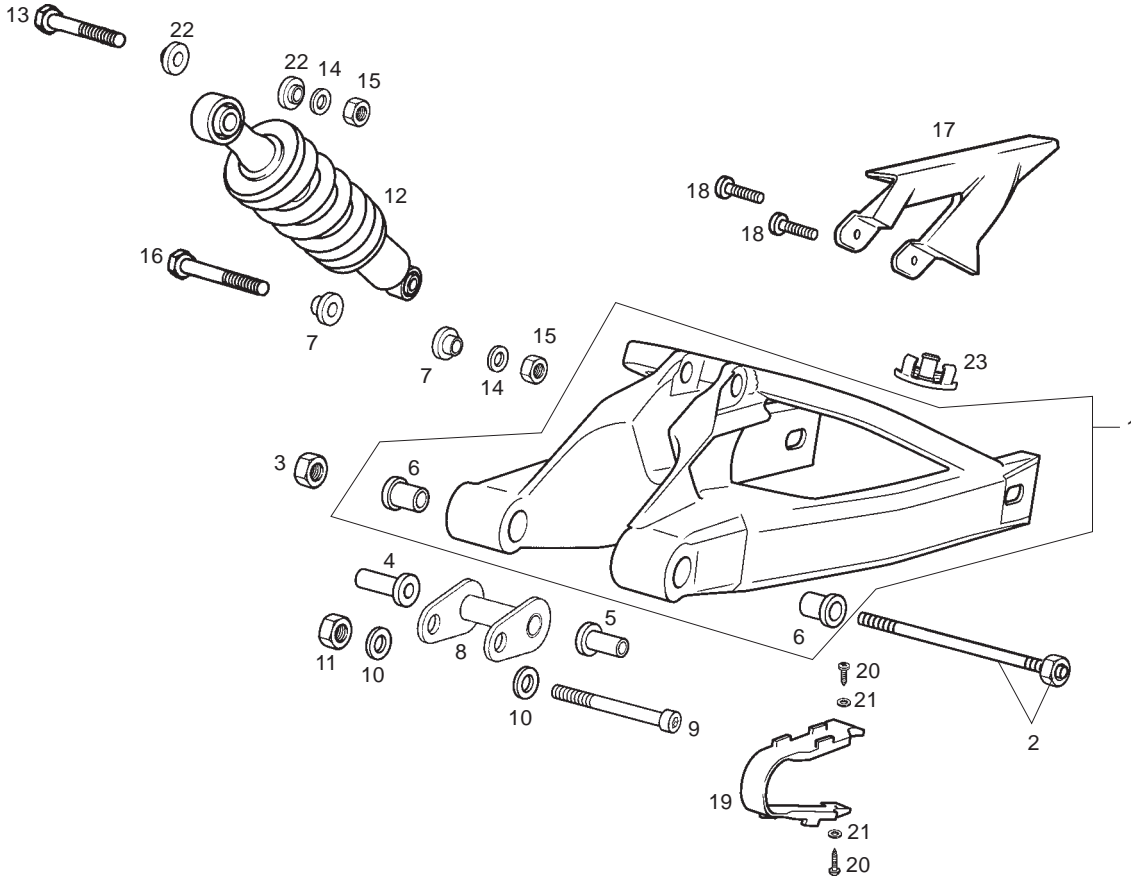


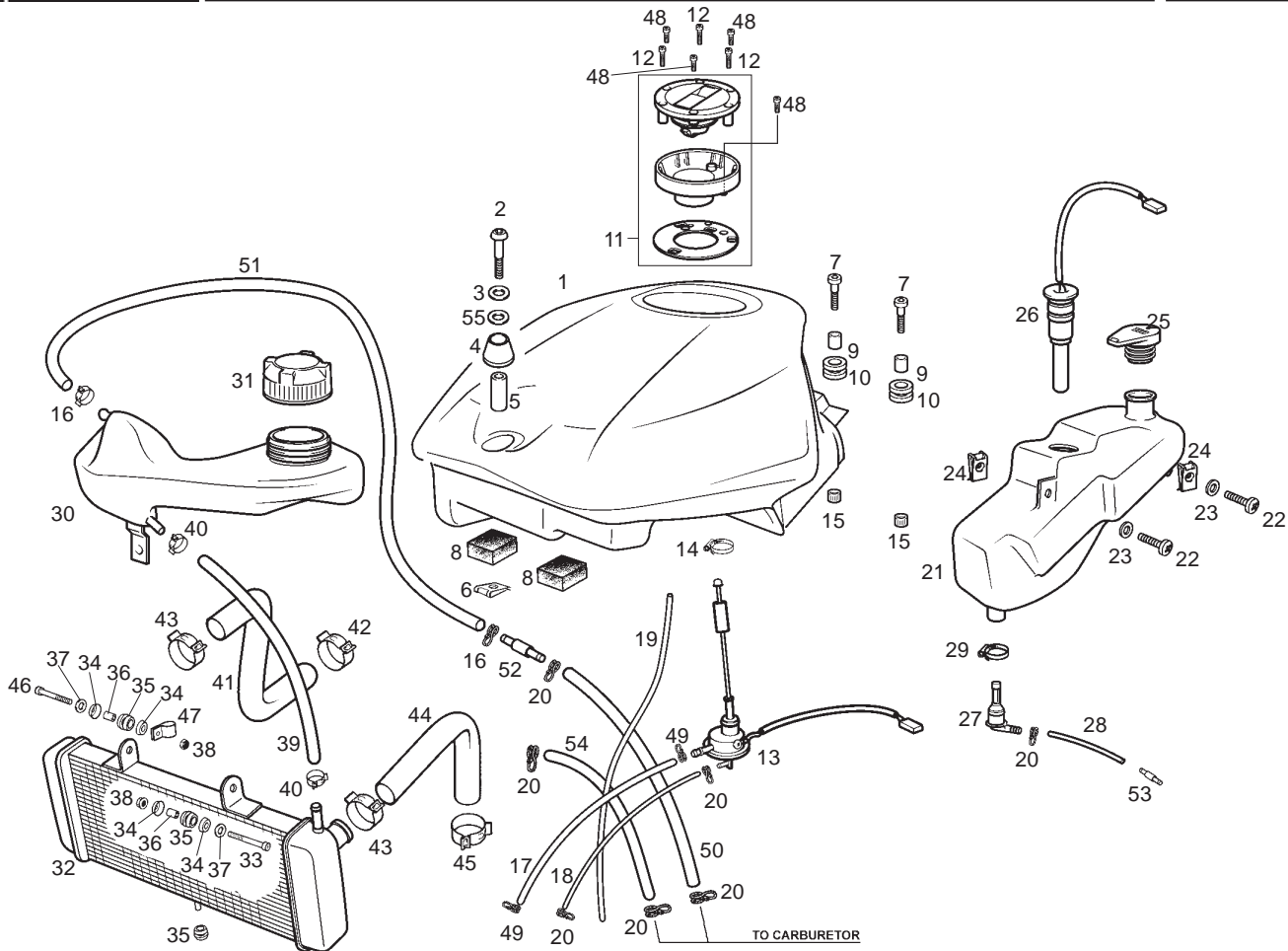
Fig.	Ver.	COD. KOD.	DESCRIPCIÓN DENOMINAZIONE NAME	BEZEICHUNG DESIGNATION	MOD.	NOTAS NOTES NOTA MITSCHRIFT NOTES
01A		00H00322971	CTO BASCULANTE C/CASQUILLOS SUBRIBALTABILE SWING ARM SUB-ASSY	SCHWINGENACHSE BRAS OSCILLANT	12	
02A		00H00306411	CTO EJE BASCULANTE SUBASSE OSCILLANTE SWINGING ARM SHAFT SUB-ASSEMB	U-GRUPPE KIPPACHSE S/ENSEMBLE AXE BASCULANT	12	
03A		00281141503	TUERCA EXAGONAL 14M200 DADO NUT	MUTTER ECROU	12	
04A		00H00302651	CASQUILLO TOPE DERECHO BOCCOLO BUSH	BUCHSE JOINT	12	
05A		00H00303401	CASQUILLO TOPE IZQUIERDO BOCCOLO BUSH	BUCHSE JOINT	12	
06A		00H00303231	CASQUILLO EJE BASCULANTE BOCCOLO BUSH	BUCHSE JOINT	12	
07A		00H01500491	CASQUILLO INF.SEP.AMORTIGUADOR GHIERA RING NUT	GEWINDERING DOUILLE	12	
08A		00H00102961	SOPORTE TRASERO MOTOR SUPP. MOTORE ENGINE SUPP	MOTOR STUTZ SUPP MOTEUR	12	
09A		00004111000	TORNILLO C/ALLEN 12M150X100 VITE SCREW	SCHRAUBE VIS	12	
10A		00H01500421	ARANDELA FIJ. INF.AMORTIGUADOR RONDELLA WASHER	SCHEIBE RONDELLE	12	



**PIEZAS SIN CALCAS  
PARTS WITHOUT DECALS**

Fig.	Ver.	COD. KOD.	DESCRIPCIÓN DENOMINAZIONE NAME	BEZEICHNUNG DESIGNATION	MOD.	NOTAS NOTES NOTA MITSCHRIFT NOTES
11A		00262120032	TUERCA 12M150 DADO NUT	MUTTER ECROU	12	
12A		00H01516191	AMORTIGUADOR AMMORTIZZATORE SHOCK ABSORBER	AMORTISSEUR STOSSDAMPFER HINTEN	12	
13A		00031106023	TORNILLO C/EXAGONAL 10M150X60 VITE SCREW	SCHRAUBE VIS	12	
14A		00402100001	ARANDELA D10 RONDELLA WASHER	SCHEIBE RONDELLE	12	
15A		00281101503	TUERCA EXAGONAL 10M150 DADO NUT	MUTTER ECROU	12	
16A		00031107024	TORNILLO C/EXAGONAL 10M150X70 VITE SCREW	SCHRAUBE VIS	12	
17A		00H01509181	CUBRECADENAS COPRICATENA R CHAIN COVER R	KETTENSCHUTZ COUVRE CHAONES	12	
18A		00016041301	TORNILLO C/AVELL.CRUZ 4,8X13 VITE SCREW	SCHRAUBE VIS	12	
19A		00H01806331	PLACA ROZAMIENTO CADENA GUIDA CATENA CHAIN GUIDE	OBERE KETTENFÜHRUNG GUIDE CHAONE	12	
20A		00011241300	TORNILLO AUT.C/CRUZ 4,2X13 VITE SCREW	SCHRAUBE VIS	12	





**PIEZAS SIN CALCAS  
PARTS WITHOUT DECALS**

Fig.	Ver.	COD. KOD.	DESCRIPCIÓN DENOMINAZIONE NAME	BEZEICHNUNG DESIGNATION	MOD.	NOTAS NOTES NOTA MITSCHRIFT NOTES
01A		86238200WR0	DEPOSITO GASOLINA SERBATOIO BENZINA FUEL TANK	BENZINTANK RESERVOIR ESSENCE	1	
01B		86238200WN0	DEPOSITO GASOLINA SERBATOIO BENZINA FUEL TANK	BENZINTANK RESERVOIR ESSENCE	2	
02A		00008064500	TORNILLO C/REDONDA ALLEN 6M100X45 VITE SCREW	SCHRAUBE VIS	12	
03A		00000031070	ARANDELA PLANA D7 RONDELLA WASHER	SCHEIBE RONDELLE	12	
04A		00H00402581	SILENTBLOCK ANTERIOR FIJ. DEPOSITO SILENT-BLOCK SILENTBLOC	SIL.BLOCK PUFFER	12	
05A		00H01504051	CASQUILLO SILENTBLOCK ANTERIOR GHIERA BUSHING	FUHRUNGSBUCHSE GABELSCHENK ENTRETOISE	12	
06A		00D01501371	TUERCA FIJACION D6 DADO NUT	MUTTER ECROU	12	
07A		00002062511	TORNILLO 6M100X25 VITE SCREW	SCHRAUBE VIS	12	
08A		00H06300771	ESPUMA TOPE FERMO STOPER	ANSCHLAG BUTE	12	
09A		00G01001821	CASQUILLO GHIERA RING NUT	GEWINDERING DOUILLE	12	

**PIEZAS SIN CALCAS  
PARTS WITHOUT DECALS**

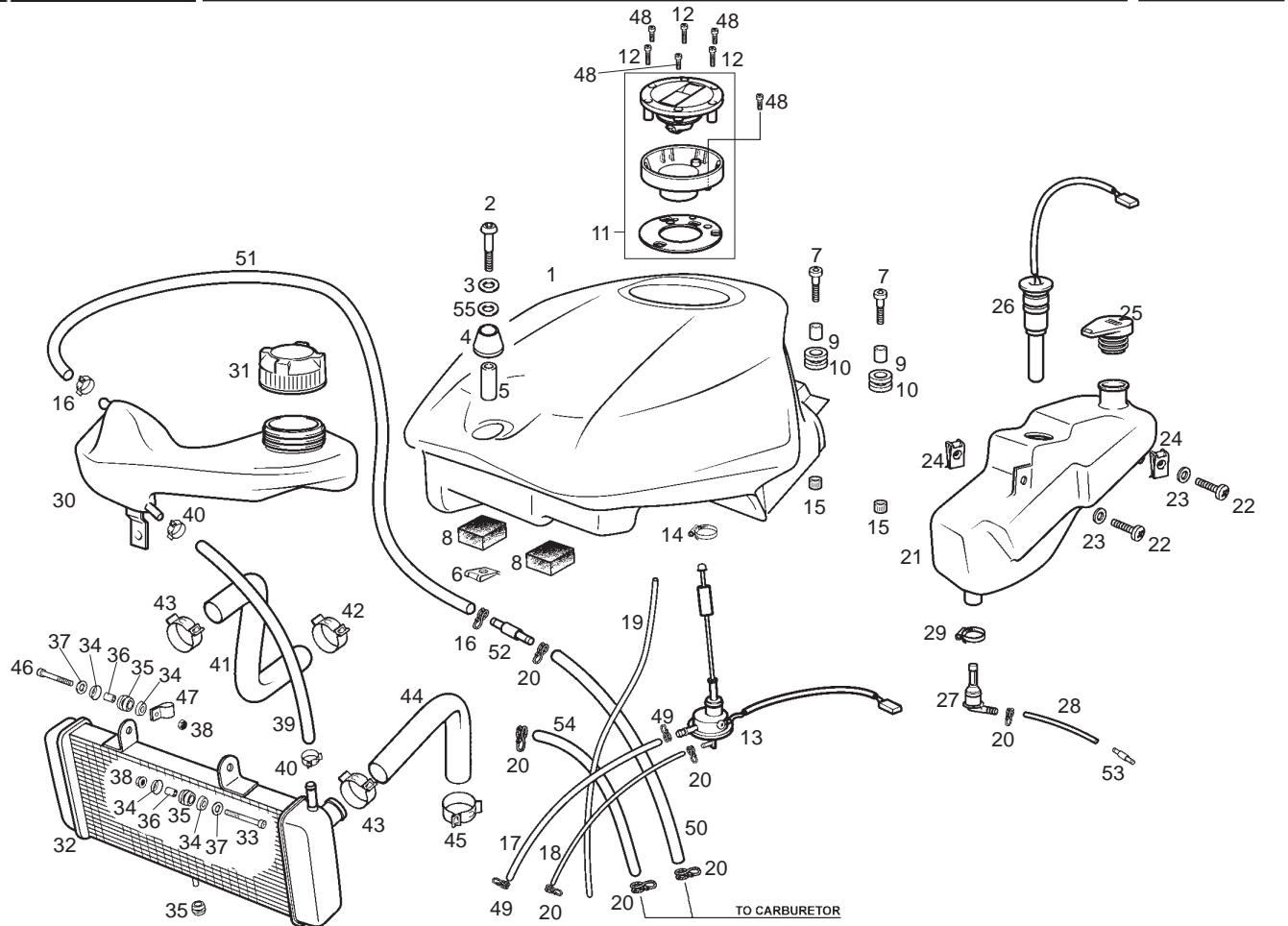
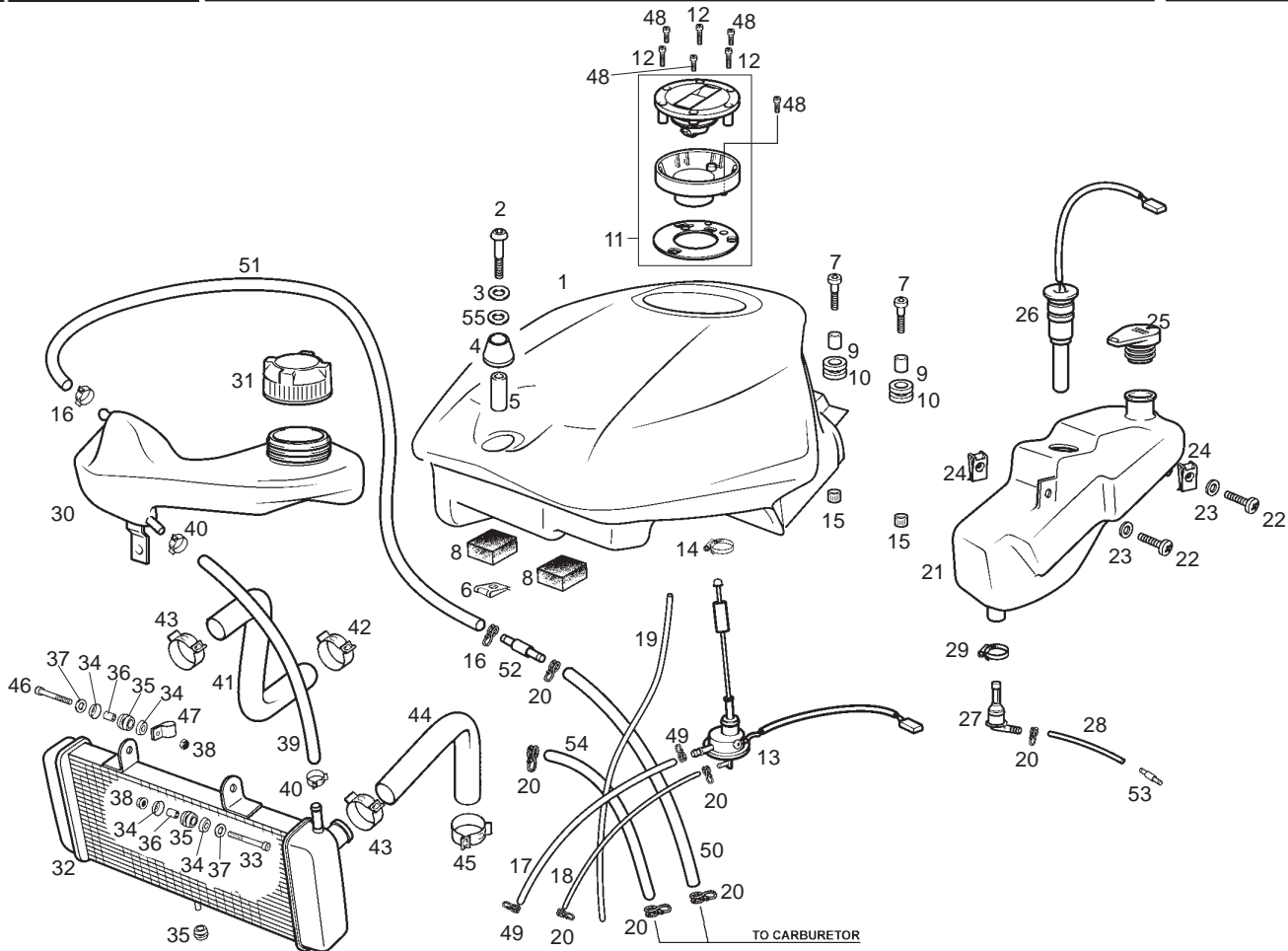


Fig.	Ver.	COD. KOD.	DESCRIPCIÓN DENOMINAZIONE NAME	BEZEICHUNG DESIGNATION	MOD.	NOTAS NOTES NOTA MITSCHRIFT NOTES
10A		00H00403581	SILENTBLOCK POS. FIJ. DEPOSITO SILENT-BLOCK SILENTBLOC	SIL.BLOCK PUFFER	12	
11A		00H00402131	CTO TAPON GASOLINA TAPPO SERBATOIO BENZINA FUEL TANK CAP ASSY	FUEL TANK CAP ASSY ENS. BOUCHON RESERV. ESSENCE V.B	12	
12A		00002053051	TORNILLO 5M80X30 VITE SCREW	SCHRAUBE VIS	12	
13A		00H10408181	GRIFO GASOLINA RUBINETTO BENZINA FUEL COCK ASSEMBLY	GRUPPE BENZINHAN " " ENSEMBLE ROBINET ESSENCE	12	
14A		00G00400501	ABRAZADERA 12-22 FASCETTA CLAMP	ELAST. K ER GASLEITUNG CRAMPON ELASTIQUE	12	
15A		00H04400711	TUERCA RIVKLE M6 DADO NUT	MUTTER ECROU	12	
16A		00D03700131	ABRAZADERA 13/8 W4 FLANGIA FISSAGGIO SECURING CLAMP	BEF.-SHELLE COLLIER	12	
17A		00H00406321	TUBO GASOLINA TUBO PIPE	ROHR TUYAU	12	
18A		00G06201061	TUBO DEPRESION TUBO PIPE	ROHR TUYAU	12	
19A		00H06202061	TUBO DRENAJE DEPOSITO GASOLINA TUBO PIPE	ROHR TUYAU	12	



**PIEZAS SIN CALCAS  
PARTS WITHOUT DECALS**

Fig.	Ver.	COD. KOD.	DESCRIPCIÓN DENOMINAZIONE NAME	BEZEICHNUNG DESIGNATION	MOD.	NOTAS NOTES NOTA MITSCHRIFT NOTES
20A		00H00400501	ABRAZADERA FLANGIA FISSAGGIO SECURING CLAMP	BEF.-SHELLE COLLIER	12	
21A		00H03706081	DEPOSITO ACEITE SERBATOIO OLIO OIL RESERVOIR	WASSERHALTER RESERVOIR HUILE	12	
22A		00092063514	TORNILLO 6M100X35 VITE SCREW	SCHRAUBE VIS	12	
23A		00402060001	ARANDELA D6 RONDELLA WASHER	SCHEIBE RONDELLE	12	
24A		00D01501371	TUERCA FIJACION D6 DADO NUT	MUTTER ECROU	12	
25A		00H03702061	TAPON DEPOSITO ACEITE TAPPO SERBATOIO OLIO OIL RESERVOIR CAP	DECKEL ALBEH, LTER. BOUCHON RSEVOIR HUILE	12	
26A		00H03704051	CTO INDICADOR NIVEL ACEITE INDICATORE LIVELLO OIL LEVEL INDICATOR ASSY	OELSTANDANZEIGER ENSEMBLE JAUGE D'HUILE	12	
27A		00H03701411	FILTRO ACEITE FILTRO OLIO OIL FILTER	ÖLFILTER FILTRED'HUILE	12	
28A		00H03700111	TUBO ACEITE FILTRO-RACORD TUBO PIPE	ROHR TUYAU	12	
29A		00G00400501	ABRAZADERA 12-22 FLANGIA FISSAGGIO SECURING CLAMP	BEF.-SHELLE COLLIER	12	

**PIEZAS SIN CALCAS  
PARTS WITHOUT DECALS**

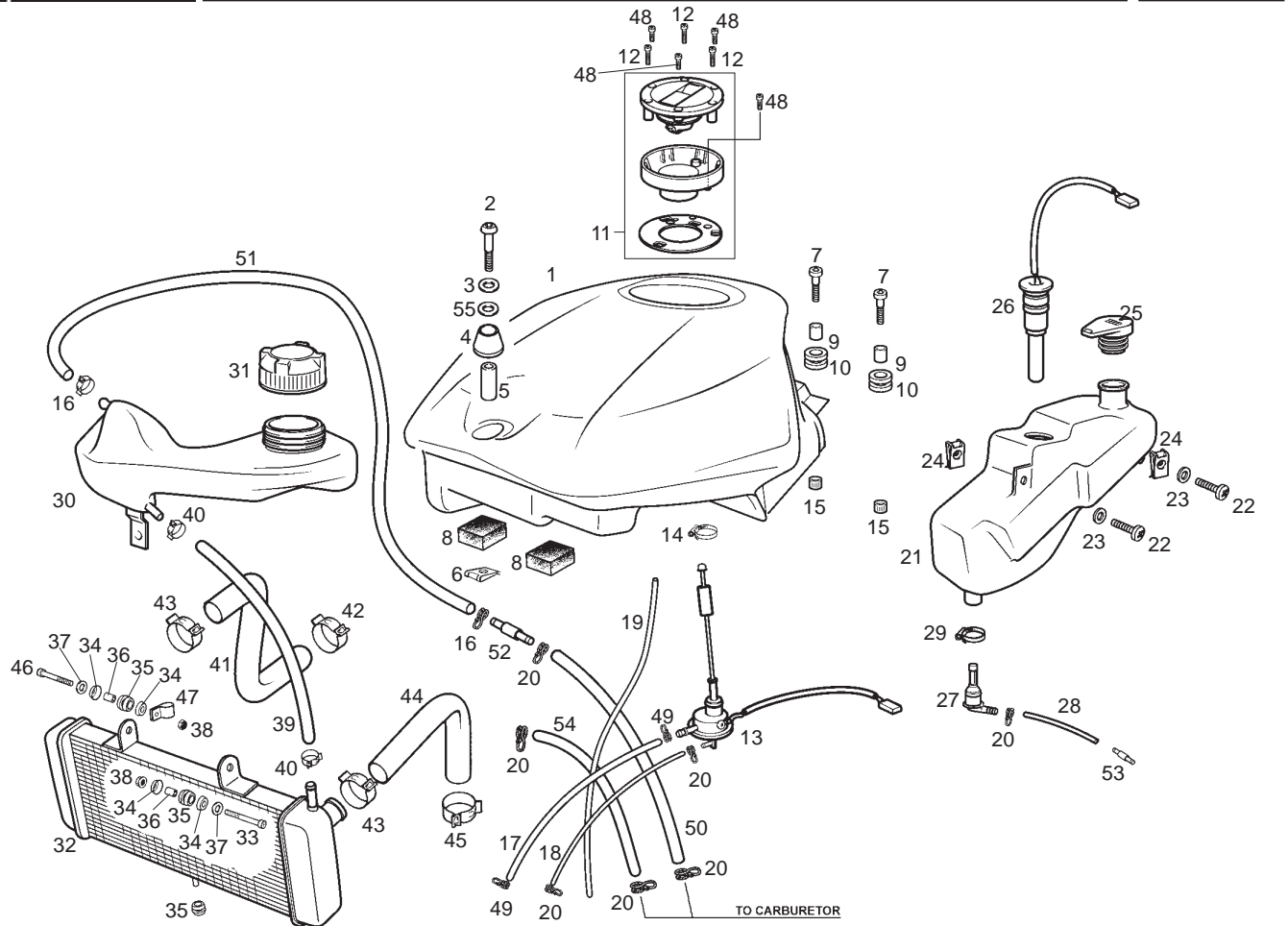
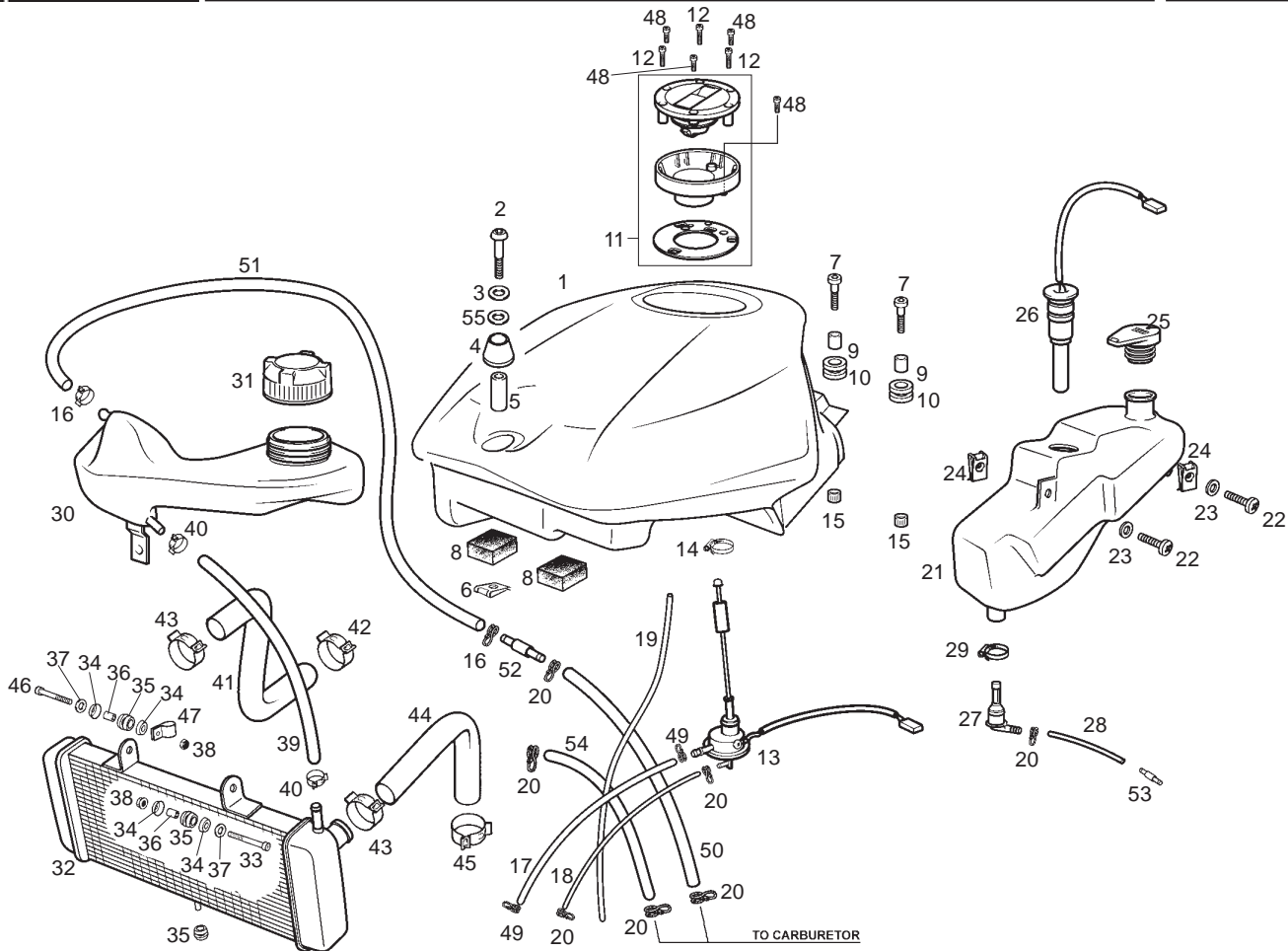


Fig.	Ver.	COD. KOD.	DESCRIPCIÓN DENOMINAZIONE NAME	BEZEICHNUNG DESIGNATION	MOD.	NOTAS NOTES NOTA MITSCHRIFT NOTES
30A		00H03803501	DEPOSITO EXPANSOR SERBATOIO ACQUA RADIATORE WATER TANK	WASSERBEHALTER VASE DI EXPANSION	12	
31A		00H03802472	CTO TAPON DEPOSITO AGUA TAPPO SERBATOIO WATER RESERVOIR CAP	KUEHLERDECKEL BOUCHON DE RESERVOIR D,EAU	12	
32A		00H03809011	CTO RADIADOR SUBRADIATORE RADIATOR ASSY.	RADIATOR ASSY. RADIATEUR	12	
33A		00002064011	TORNILLO C/ALLEN 6M100X40 VITE SCREW	SCHRAUBE VIS	12	
34A		00D01500552	CAZOLETA SCADELLINO FISSAGGIO HOUSING EXHAUST PIPE SUPPORT	ABDECKSCHEIBE CUVETTE	12	
35A		00008915020	PROTECCION CABLES PROTEZIONE CAVI RUBBER,CABLE PROTECTOR	GUMMI PASSE-CABLE	12	
36A		00D01500471	CASQUILLO GHIERA RING NUT	GEWINDERING DOUILLE	12	
37A		00000031060	ARANDELA PLANA D6 RONDELLA WASHER	SCHEIBE RONDELLE	12	
38A		00000023060	TUERCA AUTOBLOCANTE 6M100 DADO NUT	MUTTER ECROU	12	
39A		00H03803491	TUBO DEPOSITO EXPANSOR-RADIADOR TUBO PIPE	ROHR TUYAU	12	



**PIEZAS SIN CALCAS  
PARTS WITHOUT DECALS**

Fig.	Ver.	COD. KOD.	DESCRIPCIÓN DENOMINAZIONE NAME	BEZEICHNUNG DESIGNATION	MOD.	NOTAS NOTES NOTA MITSCHRIFT NOTES
40A		00H03801701	ABRAZADERA 14/8 W4 FLANGIA FISSAGGIO SECURING CLAMP	BEF.-SHELLE COLLIER	12	
41A		00H03807041	TUBO BOMBA-RADIADOR TUBO PIPE	ROHR TUYAU	12	
42A		00H03800751	ABRAZADERA 21/8 W4 FLANGIA FISSAGGIO SECURING CLAMP	BEF.-SHELLE COLLIER	12	
43A		00H03802091	ABRAZADERA 23/8 W4 FLANGIA FISSAGGIO SECURING CLAMP	BEF.-SHELLE COLLIER	12	
44A		00H03813021	TUBO CULATA-RADIADOR TUBO PIPE	ROHR TUYAU	12	
45A		00H03802751	ABRAZADERA 24/8 W4 FLANGIA FISSAGGIO SECURING CLAMP	BEF.-SHELLE COLLIER	12	
46A		00000004645	TORNILLO C/ALLEN 6M100X45 VITE SCREW	SCHRAUBE VIS	12	
47A		00H02200591	ABRAZADERA FLANGIA FISSAGGIO SECURING CLAMP	BEF.-SHELLE COLLIER	12	
48A		00002051251	TORNILLO C/ALLEN 5M80X12 VITE SCREW	SCHRAUBE VIS	12	
49A		00D03700131	ABRAZADERA FLANGIA FISSAGGIO SECURING CLAMP	BEF.-SHELLE COLLIER	12	





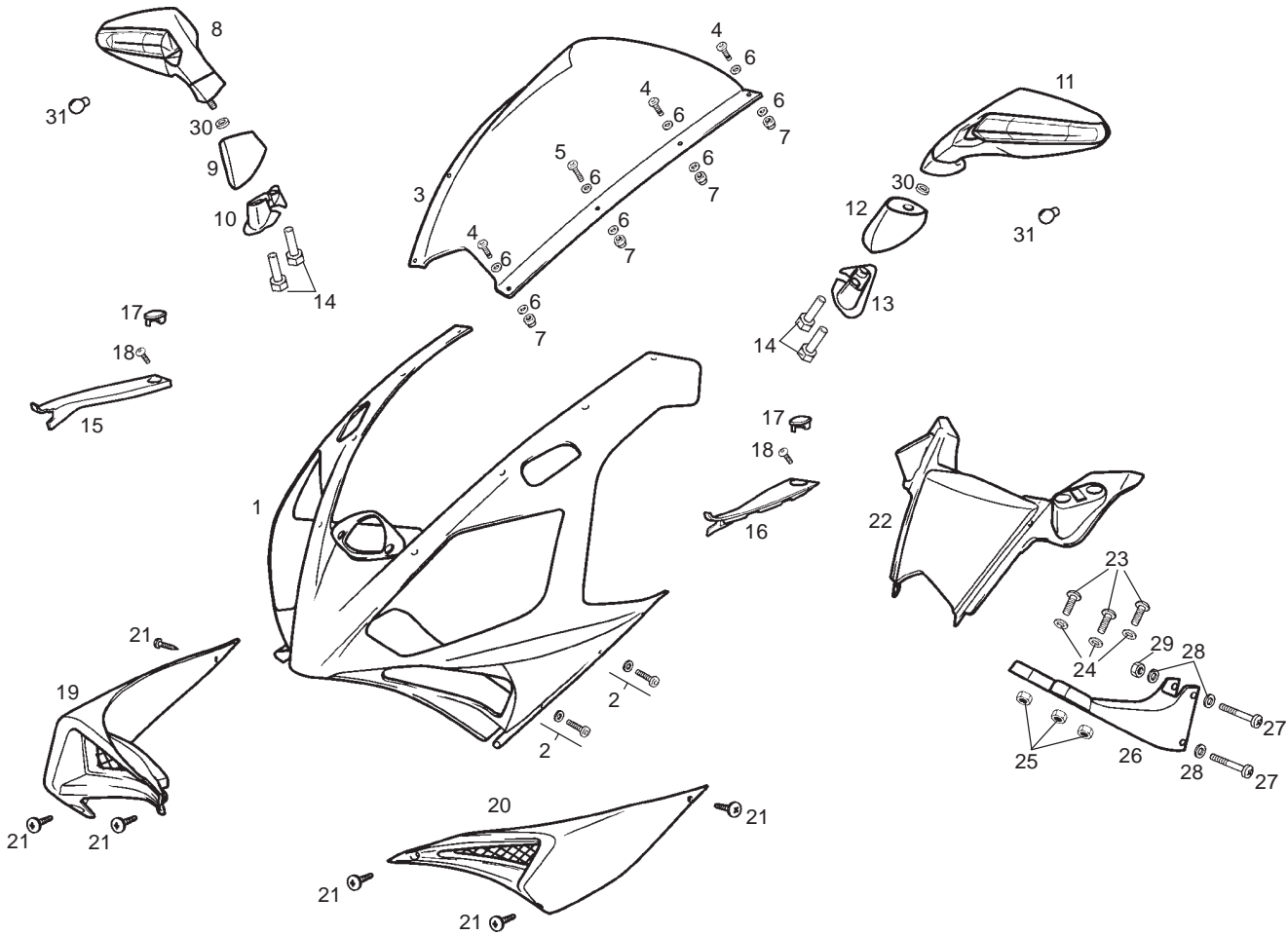


Fig.	Ver.	COD. KOD.	DESCRIPCIÓN DENOMINAZIONE NAME	BEZEICHUNG DESIGNATION	MOD.	NOTAS NOTES NOTA MITSCHRIFT NOTES
01A		00H01516286	CARENADO FRONTAL CUPOLINO FR. FR. WINDSHIELD	FR. WINDSCHUTZ PARE-BRISE FR.	1	
01B		00H01516282	CARENADO FRONTAL CUPOLINO FR. FR. WINDSHIELD	FR. WINDSCHUTZ PARE-BRISE FR.	2	
02A		00F05900041	SCTO TORNILLO 6M100X16 VITE SCREW	SCHRAUBE VIS	12	
03A		00H01504751	CUPULA CARENADO FRONTAL PLEXIGLASS PLEXIGLASS	PLEXIGLASS PLEXIGLASS	12	
04A		00008041200	TORNILLO C/REDONDA ALLEN 4M70X12 VITE SCREW	SCHRAUBE VIS	12	
05A		00008041600	TORNILLO C/REDONDA ALLEN 4M70X16 VITE SCREW	SCHRAUBE VIS	12	
06A		00000031040	ARANDELA PLANA D4 RONDELLA WASHER	SCHEIBE RONDELLE	12	
07A		00027004000	TUERCA CIEGA 4M70 DADO NUT	MUTTER ECROU	12	
08A		00H02209671	ESPEJO DERECHO SPECCHIETTO RETROVSORE DX RH. REAR VIEW MIRROR	RECHT SPIEGEL RETROVISEUR DR.	12	
09A		00H04602881	SOPORTE SUPERIOR ESPEJO DERECHO SUP. SPECCHIETTO DX RH. REAR VIEW MIRROR SUPP.	RECHT SPIEGEL STÜTZEN SUP. RETROVISEUR DR.	12	
10A		00H04601881	SOPORTE INFERIOR ESPEJO DERECHO SUP. INF. SPECCHIETTO DX LOWER RH. REAR VIEW MIRROR SUPP.	UNTERE RECHT SPIEGEL STÜTZEN SUP. INF. RETROVISEUR DR.	12	

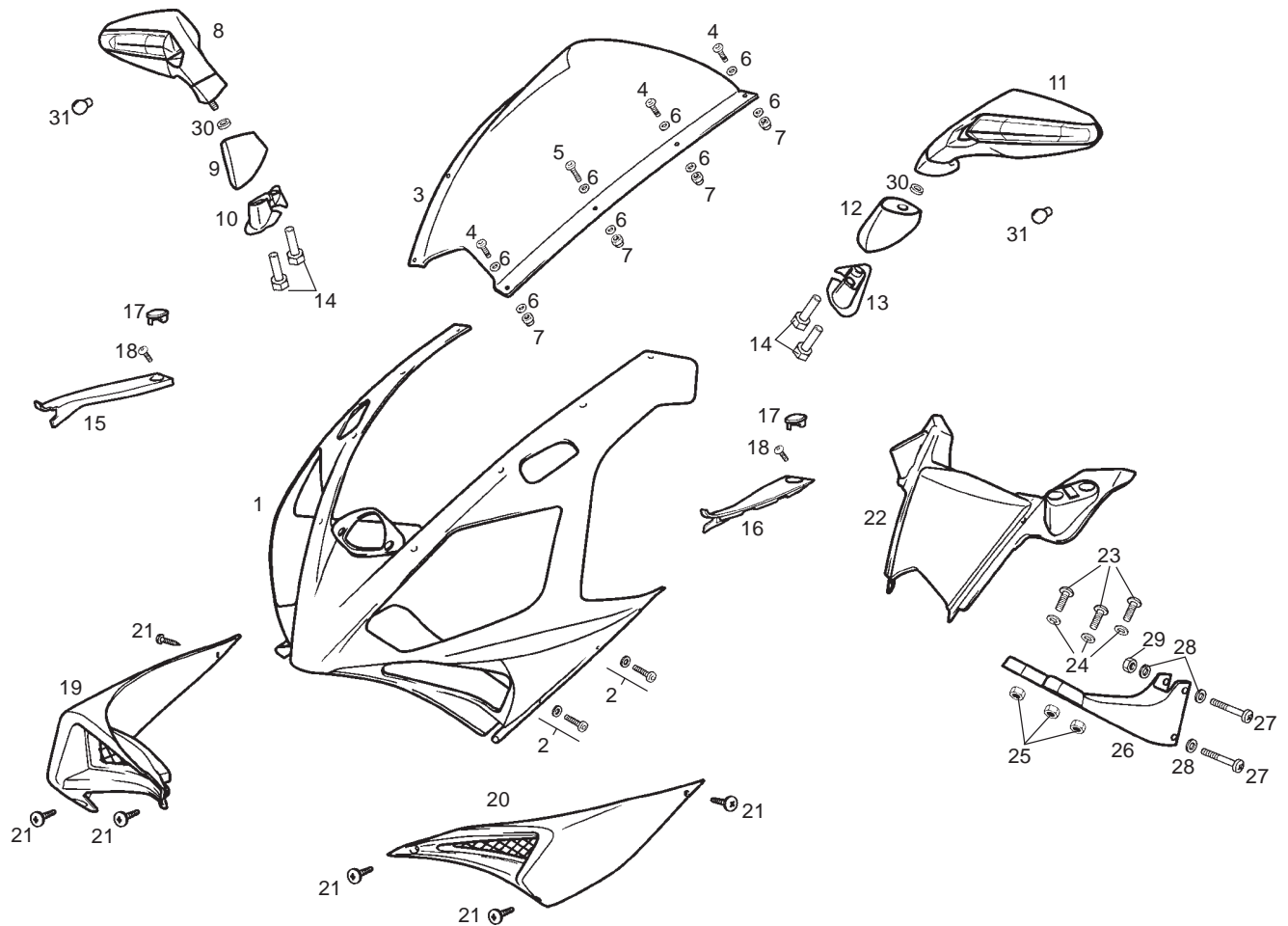


Fig.	Ver.	COD. KOD.	DESCRIPCIÓN DENOMINAZIONE NAME	BEZEICHNUNG DESIGNATION	MOD.	NOTAS NOTES NOTA MITSCHRIFT NOTES
11A		00H04604921	ESPEJO IZQUIERDO SPECCHIETTO RETROVSORE SX LH. REAR VIEW MIRROR	SPIEGEL LINKE RETROVISEUR GA.	12	
12A		00H05801151	SOPORTE SUPERIOR ESPEJO IZ. SUP. SPECCHIETTO SX LH. REAR VIEW MIRROR SUPP.	LINKE SPIEGEL STÜTZEN SUP. RETROVISEUR GA.	12	
13A		00H05800151	SOPORTE INFERIOR ESPEJO IZ. SUP. INF. SPECCHIETTO SX LOWER LH. REAR VIEW MIRROR SUPP.	UNTERE LINKE SPIEGEL STÜTZEN SUP. INF. RETROVISEUR GA.	12	
14A		00H06800941	TUERCA FIJACION ESPEJO DADO NUT	MUTTER ECROU	12	
15A		00H04400971	CUBRECARENADO DERECHO COPRICUPOLINO DX. WINDSHIELD RH COVER	RE. WIND DECKEL SCHUTZ COUVRE PARE-BRISE DR.	12	
16A		00H04400981	CUBRECARENADO IZQUIERDO COPRICUPOLINO SX. WINDSHIELD LH COVER	LI. WIND DECKEL SCHUTZ COUVRE PARE-BRISE GA.	12	
17A		00H04400951	TAPON ALOJAMIENTO TORNILLO TAPPO CAP	STÖPSEL BOUCHON	12	
18A		00H01501701	TORNILLO 6X16 VITE SCREW	SCHRAUBE VIS	12	
19A		00H01800021	TOMA AIRE FRONTAL DERECHA ENTRARE ARIA FRONTALE DX FRONT RH AIR INTAKE	LUFTDECKEL FRONTAL DR. AIR ENGAGER	12	
20A		00H01800031	TOMA AIRE FRONTAL IZQUIERDA ENTRARE ARIA FRONTALE SX FRONT LH AIR INTAKE	LUFTDECKEL FRONTAL GA. AIR ENGAGER	12	
21A		00011031401	TORNILLO AUTOROSCANTE 3,6X14 VITE SCREW	SCHRAUBE VIS	12	

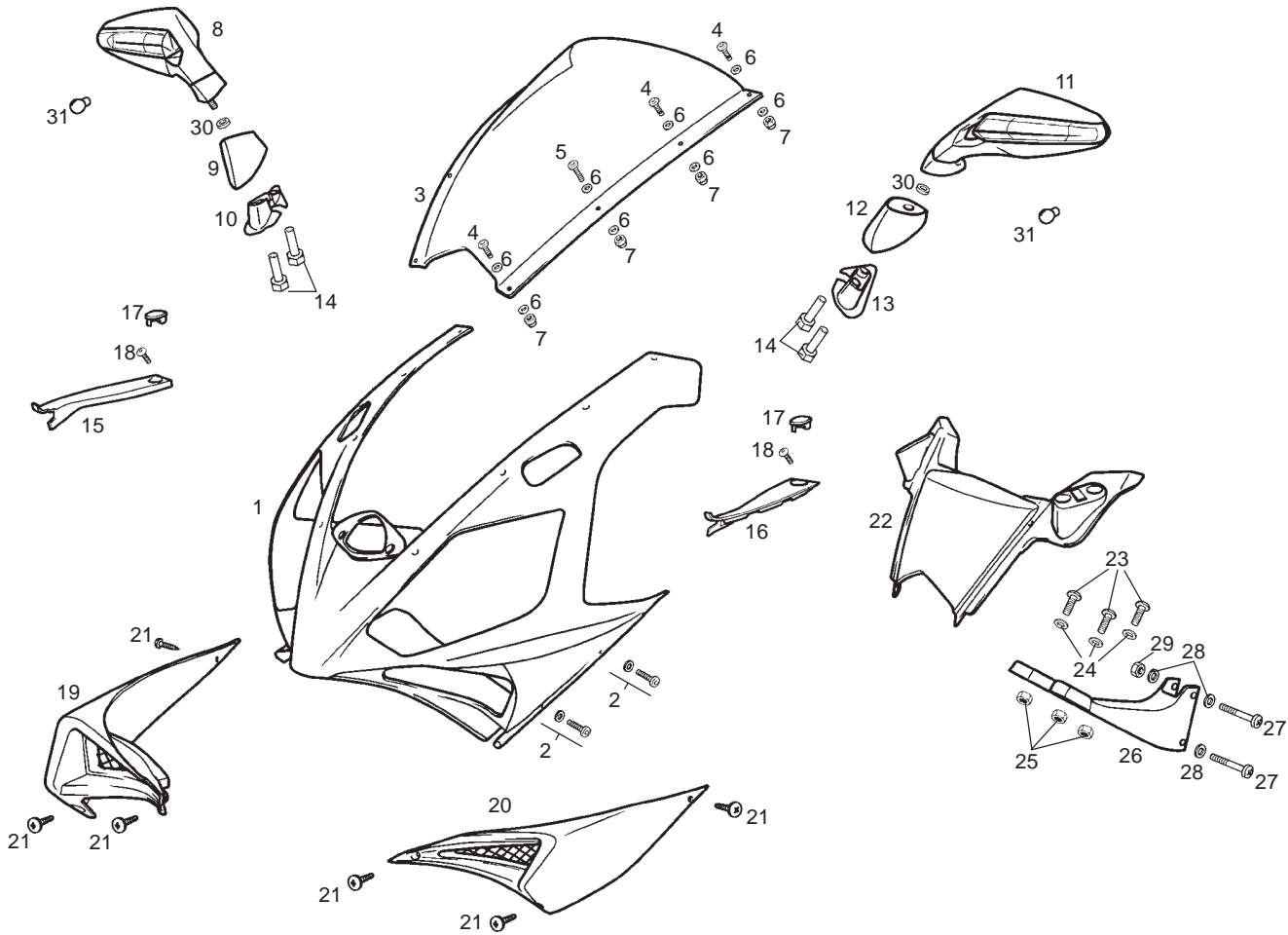


Fig.	Ver.	COD. KOD.	DESCRIPCIÓN DENOMINAZIONE NAME	BEZEICHUNG DESIGNATION	MOD.	NOTAS NOTES NOTA MITSCHRIFT NOTES
22A		00H02303241	SOPORTE TABLIER SUPPORTO CRUSCOTTO DASH SUPPORT	INSTRUMENTENHALTER SUPPORT TABLEAU DE BORD	12	
23A		00H06301861	TORNILLO FIJACION 6X18 VITE SCREW	SCHRAUBE VIS	12	
24A		00402060001	ARANDELA D6 RONDELLA WASHER	SCHEIBE RONDELLE	12	
25A		00000023060	TUERCA AUTOBLOCANTE 6M100 DADO NUT	MUTTER ECROU	12	
26A		00H04903181	SOPORTE INSTRUMENTOS COMP. SUPPORTO CRUSCOTTO DASH SUPPORT ASSY	INSTRUMENTENHALTER KOMP. ENS. SUPPORT TABLEAU DE BORD	12	
27A		00008064500	TORNILLO C/REDONDA ALLEN 6M100X45 VITE SCREW	SCHRAUBE VIS	12	
28A		00031106000	ARANDELA PLANA D6 RONDELLA WASHER	SCHEIBE RONDELLE	12	
29A		00000023060	TUERCA AUTOBLOCANTE 6M100 DADO NUT	MUTTER ECROU	12	
30A		00H00800431	CASQUILLO RETROVISOR GHIERA RING NUT	GEWINDERING DOUILLE	12	
31A		00H01701011	LAMPARA FARO INTERMITTES LAMPADA FARO INDICATORI DIREZ. INDICATOR LIGHT BULB	BLINKLICHTLAMP TUBE PHARES CLIGNOTANTS	12	

**PIEZAS SIN CALCAS  
PARTS WITHOUT DECALS**

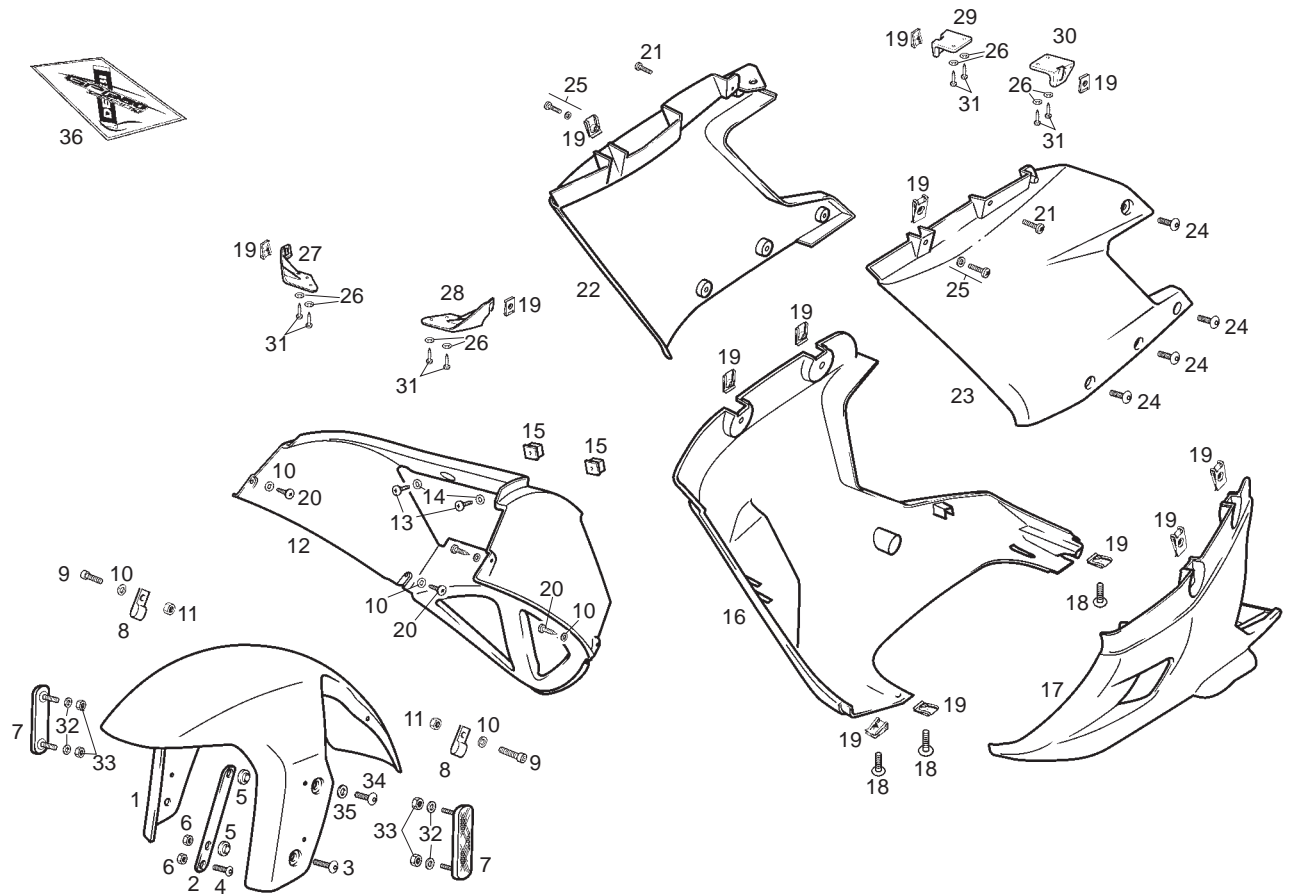
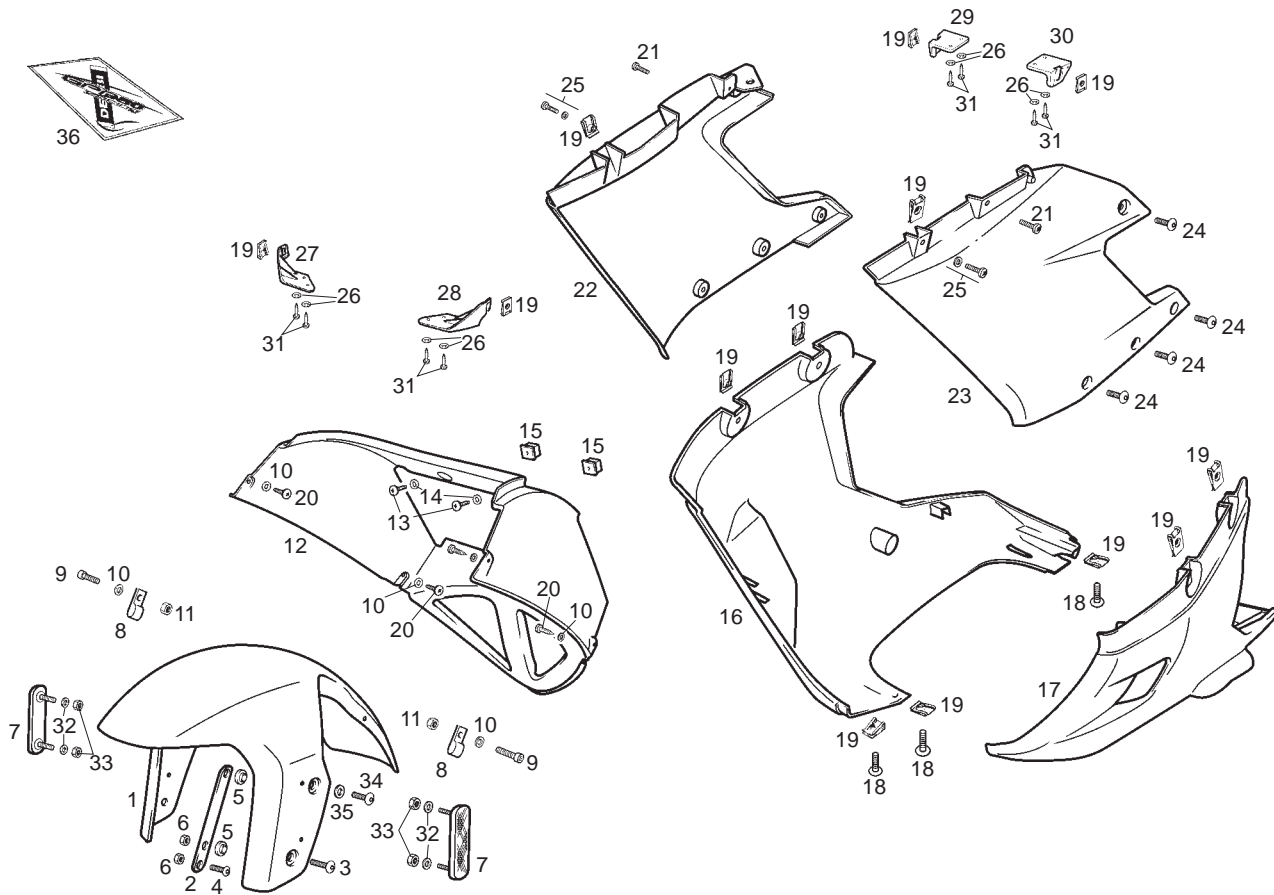


Fig.	Ver.	COD. KOD.	DESCRIPCIÓN DENOMINAZIONE NAME	BEZEICHNUNG DESIGNATION	MOD.	NOTAS NOTES NOTA MITSCHRIFT NOTES
01A		00H00720026	GUARDABARRO DELANTERO PARAFANGO ANTERIORE FRONT MUDGUARD	VORDERES SCHMUTZBLECH GARDE-BOUE AVANT	1	
01B		00H00720023	GUARDABARRO DELANTERO PARAFANGO ANTERIORE FRONT MUDGUARD	VORDERES SCHMUTZBLECH GARDE-BOUE AVANT	2	
02A		00H00702051	SOPORTE GUARDABARROS DEL. SUPPORTO PARAFANGO ANTERIORE FRONT MUDGUARD SUPPORT	VORDERES SCHMUTZBLECH STUTZ APPUI GARDE-BOUE AVANT	12	
03A		00H01503701	TORNILLO FIJ. GUARDABARRO 6X25 VITE SCREW	SCHRAUBE VIS	12	
04A		00008062000	TORNILLO C/REDONDA ALLEN 6M100X20 VITE SCREW	SCHRAUBE VIS	12	
05A		00H00700321	CASQUILLO SEP. GUARDABARROS GHIERA RING NUT	GEWINDERING DOUILLE	12	
06A		00000023060	TUERCA AUTOBLOCANTE 6M100 DADO NUT	MUTTER ECROU	12	
07A		00G04403751	CATADIOPTRICO CATADIOTTRO REFLECTOR	RÜCKSTRAHLER CATADIOPTRE	12	
08A		00H01501811	BRIDA FIJACION CABLE FLANGIA UNIONE CAVI NERA BLACK CABLE TIE	KABELBINDER COLLIER	12	
09A		00008051200	TORNILLO C/REDONDA ALLEN 5M80X12 VITE SCREW	SCHRAUBE VIS	12	
10A		00000031050	ARANDELA PLANA D5 RONDELLA WASHER	SCHEIBE RONDELLE	12	



**PIEZAS SIN CALCAS  
PARTS WITHOUT DECALS**

Fig.	Ver.	COD. KOD.	DESCRIPCIÓN DENOMINAZIONE NAME	BEZEICHUNG DESIGNATION	MOD.	NOTAS NOTES NOTA MITSCHRIFT NOTES
11A		00000023051	TUERCA AUTOBLOCANTE 5M80 DADO NUT	MUTTER ECROU	12	
12A		00H01800161	CUBRE GUARDABARROS DT COPRIPARAFANGO ANTERIORE FRONT MUDGUARD COVER	VORDERES SCHMUTZBLECH SCHUTZ COUVRE GARDE-BOUE AVANT	12	
13A		00011051401	TORNILLO AUTOROSCANTE 5,1X14 VITE SCREW	SCHRAUBE VIS	12	
14A		00D02600631	ARANDELA RONDELLA WASHER	SCHEIBE RONDELLE	12	
15A		00H01800171	SOPORTE.CUBRE-GUARDABARRO DT TAPPO CAP	KAPPE BOUCHON	12	
16A		00H01515234	TAPA LATERAL INFERIOR DERECHA COPERCHIO INF. DX. LOWER RH SIDE COVER	SEITENABDECKUNG UNTERE RECHT COUVERCLE INF. DR.	1	
16B		00H01515231	TAPA LATERAL INFERIOR DERECHA COPERCHIO INF. DX. LOWER RH SIDE COVER	SEITENABDECKUNG UNTERE RECHT COUVERCLE INF. DR.	2	
17A		00H06800324	TAPA LATERAL INFERIOR IZQUIERDA COPERCHIO INF. SX. LOWER LH SIDE COVER	SEITENABDECKUNG UNTERE LINKS COUVERCLE INF. GA.	1	
17B		00H06800321	TAPA LATERAL INFERIOR IZQUIERDA COPERCHIO INF. SX. LOWER LH SIDE COVER	SEITENABDECKUNG UNTERE LINKS COUVERCLE INF. GA.	2	
18A		00H06300861	TORNILLO FIJACION 6X14 VITE SCREW	SCHRAUBE VIS	12	
19A		00D01501371	TUERCA FIJACION D6 DADO NUT	MUTTER ECROU	12	

**PIEZAS SIN CALCAS  
PARTS WITHOUT DECALS**

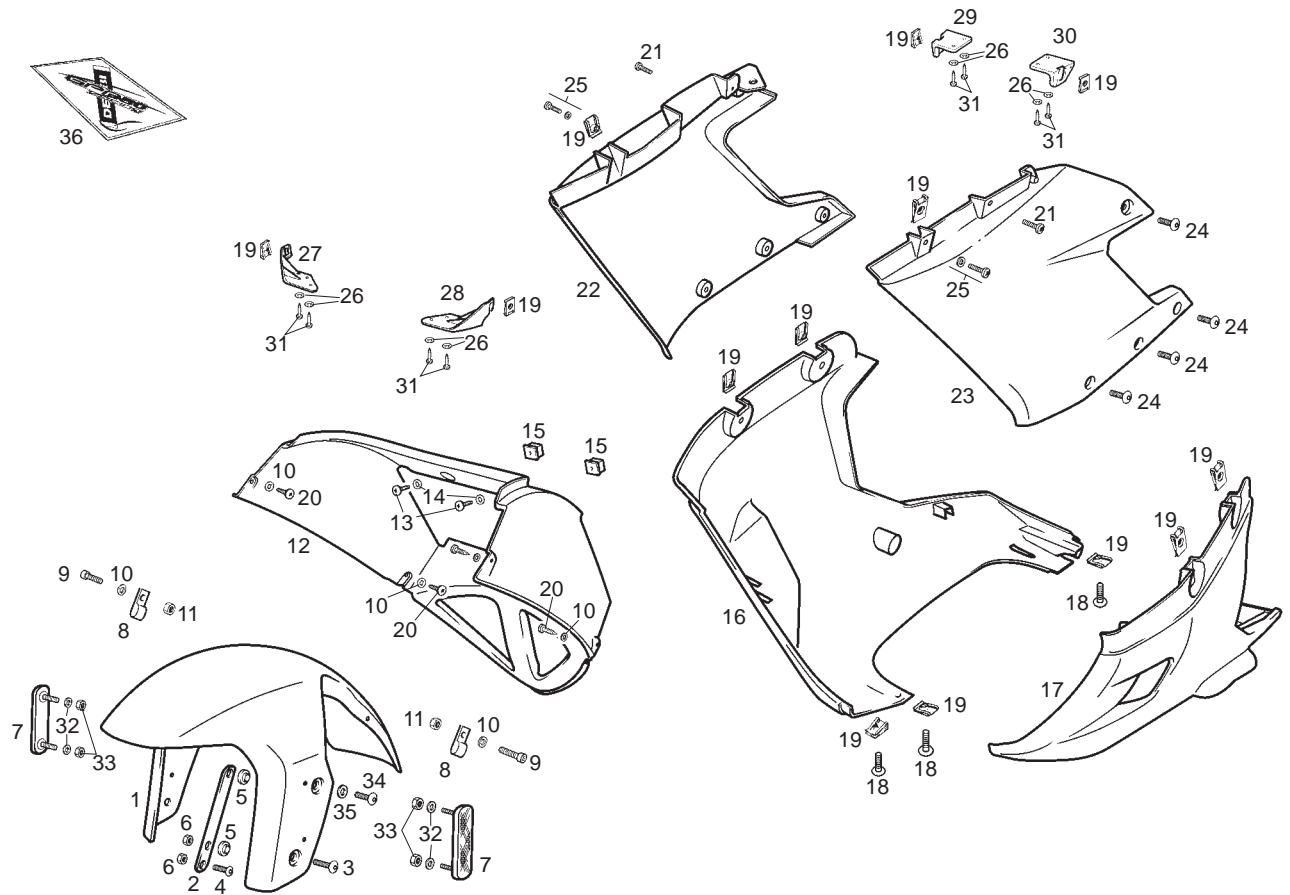
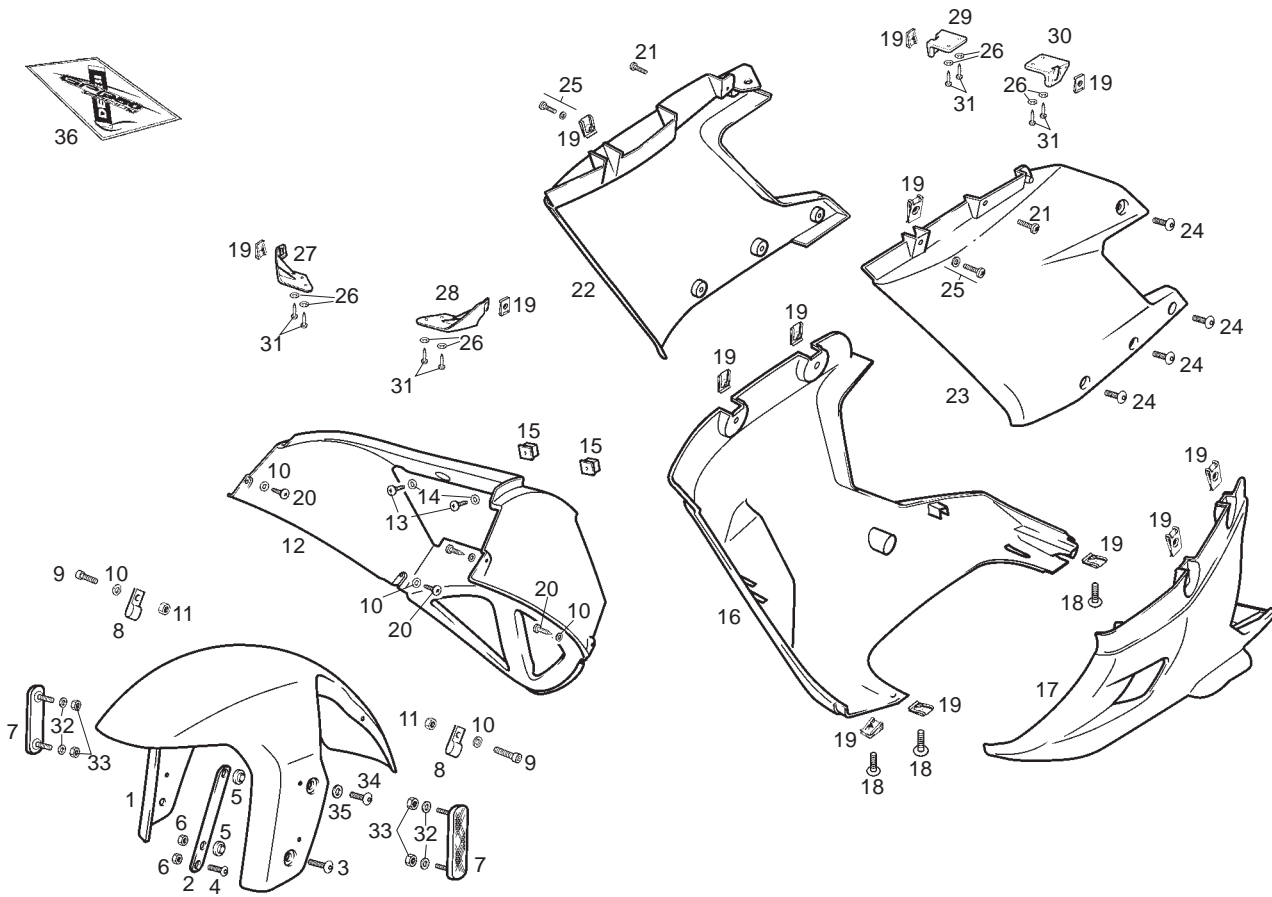


Fig.	Ver.	COD. KOD.	DESCRIPCIÓN DENOMINAZIONE NAME	BEZEICHUNG DESIGNATION	MOD.	NOTAS NOTES NOTA MITSCHRIFT NOTES
20A		00011031401	TORNILLO AUTOROSCANTE 3,6X14 VITE SCREW	SCHRAUBE VIS	12	
21A		00011032501	TORNILLO AUTOROSCANTE 3,6X25 VITE SCREW	SCHRAUBE VIS	12	
22A		00H01504244	TAPA LATERAL SUPERIOR DERECHA COPERCHIO SUP. DX. UPPER RH SIDE COVER	SEITENABDECKUNG OBERE RECHT COUVERCLE SUP. DR.	1	
22B		00H01504242	TAPA LATERAL SUPERIOR DERECHA COPERCHIO SUP. DX. UPPER RH SIDE COVER	SEITENABDECKUNG OBERE RECHT COUVERCLE SUP. DR.	2	
23A		00H01504294	TAPA LATERAL SUPERIOR IZQUIERDA COPERCHIO SUP. SX. UPPER LH SIDE COVER	SEITENABDECKUNG OBERE LINKS COUVERCLE SUP. GA.	1	
23B		00H01504292	TAPA LATERAL SUPERIOR IZQUIERDA COPERCHIO SUP. SX. UPPER LH SIDE COVER	SEITENABDECKUNG OBERE LINKS COUVERCLE SUP. GA.	2	
24A		00H01501701	TORNILLO FIJACION 6X16 INOX VITE SCREW	SCHRAUBE VIS	12	
25A		00G06800021	SCTO TORNILLO 6M100X20 VITE SCREW	SCHRAUBE VIS	12	
26A		00031105000	ARANDELA PLANA D5 RONDELLA WASHER	SCHEIBE RONDELLE	12	
27A		00H04613841	CARENADO ANTERIOR DERECHO SUP. COPERCHIO ANT. DX. FRONTRH COVER SUP.	FRONTAL DECKEL RE. COUVERCLE FRONTAL DR.	12	
28A		00H01504261	CARENADO ANTERIOR IZQUIERDO SUP. COPERCHIO ANT. SX. FRONT LH COVER SUP.	FRONTAL DECKEL LI. COUVERCLE FRONTAL GA.	12	



**PIEZAS SIN CALCAS  
PARTS WITHOUT DECALS**

Fig.	Ver.	COD. KOD.	DESCRIPCIÓN DENOMINAZIONE NAME	BEZEICHUNG DESIGNATION	MOD.	NOTAS NOTES NOTA MITSCHRIFT NOTES
29A		00H02200461	SOPORTE CARENADO POSTERIOR DR SUP. COPERCHIO POST. DX. REAR RH COVER SUP.	POST. DECKEL RE. COUVERCLE POST. DR.	12	
30A		00H05902521	SOPORTE CARENADO POSTERIOR IZQ SUP. COPERCHIO POST. SX. REAR LH COVER SUP.	POST. DECKEL LI. COUVERCLE POST. GA.	12	
31A		00000011416	TORNILLO C/REDONDA CRUZ 4,8X16 VITE SCREW	SCHRAUBE VIS	12	
32A		00D02600631	ARANDELA VITE SCREW	SCHRAUBE VIS	12	
33A		00000023040	TUERCA AUTOBLOCANTE 4M70 DADO NUT	MUTTER ECROU	12	
34A		00H01501701	TORNILLO FIJACION 6X16 VITE SCREW	SCHRAUBE VIS	12	
35A		00402080001	ARANDELA D8 RONDELLA WASHER	SCHEIBE RONDELLE	12	
36A		00H05161656	JUEGO CALCAS GPR ROJO FLUOR COMPL.ADESIVI DECALS ASSY	AUFKLEBERSATZ JEU ADHESIF	1	
36B		00H05161652	JUEGO CALCAS GPR NEGRO OMBU COMPL.ADESIVI DECALS ASSY	AUFKLEBERSATZ JEU ADHESIF	2	



**PIEZAS SIN CALCAS  
PARTS WITHOUT DECALS**

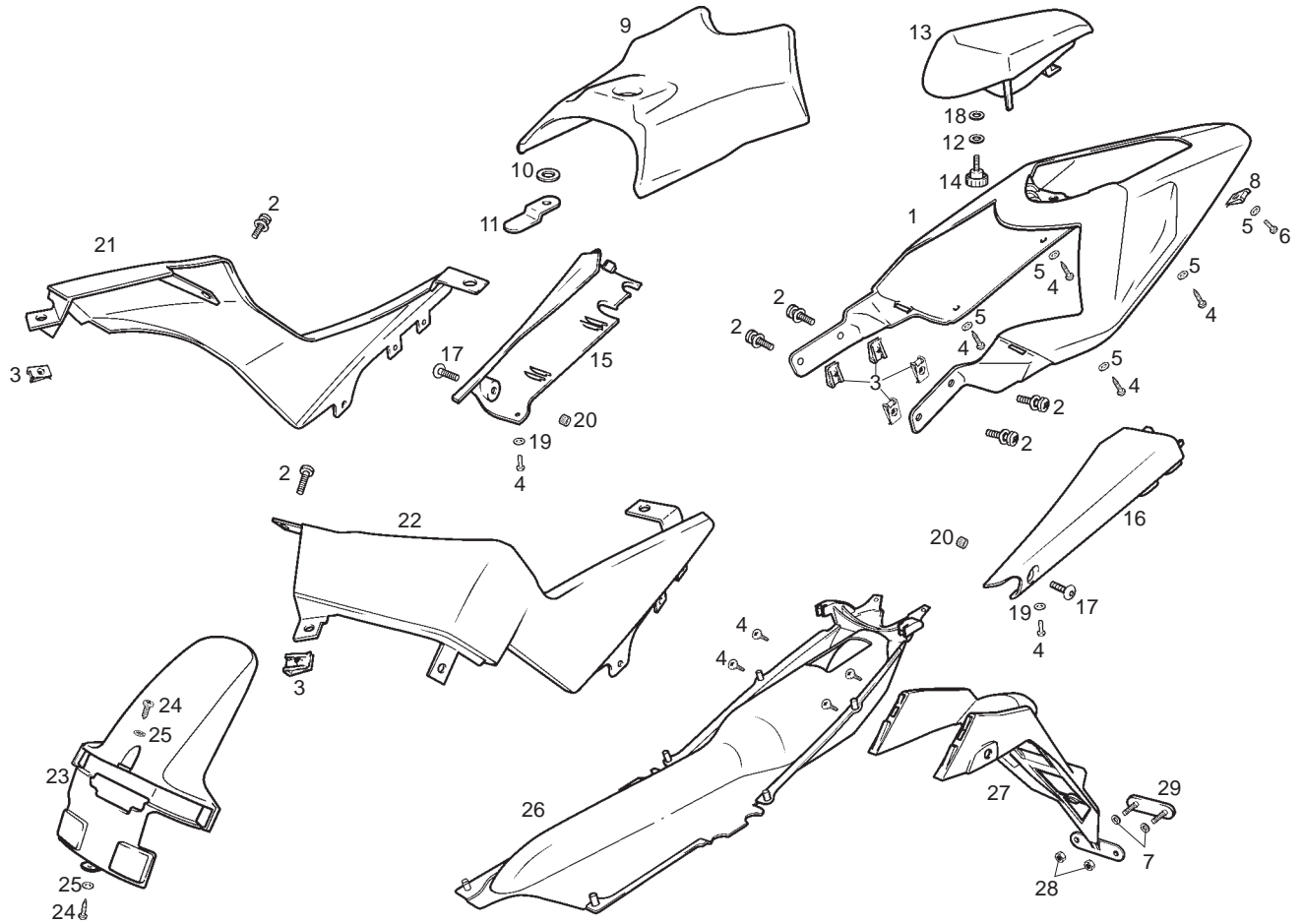
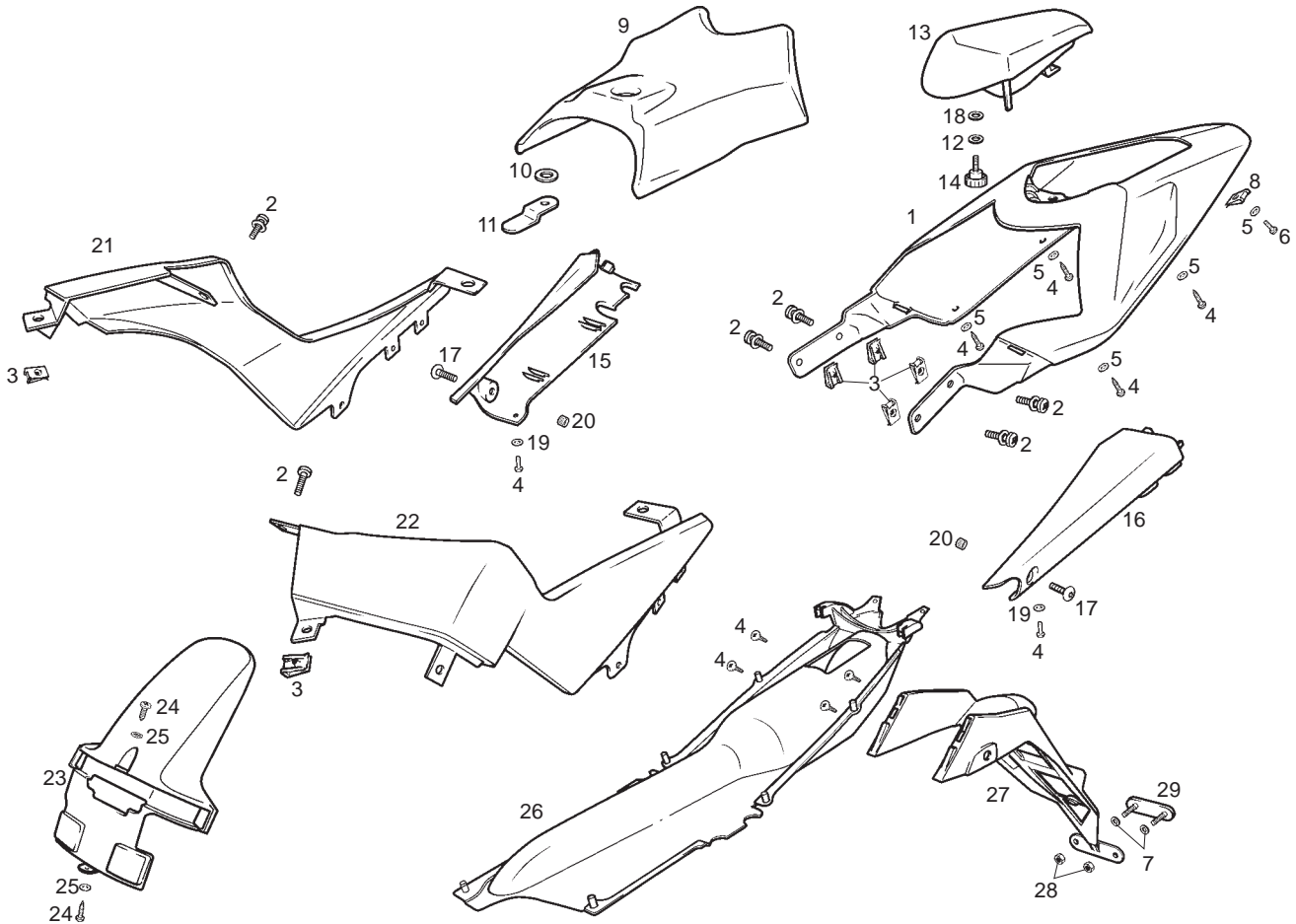


Fig.	Ver.	COD. KOD.	DESCRIPCIÓN DENOMINAZIONE NAME	BEZEICHUNG DESIGNATION	MOD.	NOTAS NOTES NOTA MITSCHRIFT NOTES
01A		00H00619164	COLIN SILLIN COLIN SELLINO SEAT BASE	KOTFLUGEL HINTEN DOSSERET SELLE	1	
01B		00H00619163	COLIN SILLIN COLIN SELLINO SEAT BASE	KOTFLUGEL HINTEN DOSSERET SELLE	2	
02A		00F05900041	SCTO TORNILLO 6M100X16 VITE SCREW	SCHRAUBE VIS	12	
03A		00D01501371	TUERCA FIJACION D6 DADO NUT	MUTTER ECROU	12	
04A		00011031401	TORNILLO AUTOROSCANTE 3,6X14 VITE SCREW	SCHRAUBE VIS	12	
05A		00000031050	ARANDELA PLANA D5 RONDELLA WASHER	SCHEIBE RONDELLE	12	
06A		00008051600	TORNILLO C/REDONDA ALLEN 5M80X16 VITE SCREW	SCHRAUBE VIS	12	
07A		00D02600631	ARANDELA RONDELLA WASHER	SCHEIBE RONDELLE	12	
08A		00G04401462	TUERCA FIJACION D5 DADO NUT	MUTTER ECROU	12	
09A		00H00624011	CTO SILLIN PILOTO SELLINO SEAT	SITZ BANK SELLE	12	
10A		00H00601931	ARANDELA CERRADURA SILLIN RONDELLA WASHER	SCHEIBE RONDELLE	12	



**PIEZAS SIN CALCAS  
PARTS WITHOUT DECALS**

Fig.	Ver.	COD. KOD.	DESCRIPCIÓN DENOMINAZIONE NAME	BEZEICHNUNG DESIGNATION	MOD.	NOTAS NOTES NOTA MITSCHRIFT NOTES
11A		00H00603141	PALANCA CIERRE SILLIN LEVA LEVER	SCHLOSS-VERSCHLUSSHEBEL LEVIER FERMETURE SELLE	12	
12A		00D01200171	ARANDELA RONDELLA WASHER	SCHEIBE RONDELLE	12	
13A		00H00604871	CTO SILLIN PASAJERO SELLINO SEAT	SITZ BANK SELLE	12	
14A		00H06101251	POMO FIJ. SILLIN PASAJERO M6X20 VITE SCREW	SCHRAUBE VIS	12	
15A		00H00508081	LATERAL DERECHO CIERRE COLIN COPERCHIO LATERALE SELLINO DX. RH SIDE SEAT COVER	SEITENABDECKUNG COUVERCLE SELLE LATERAL DR.	12	
16A		00H00508071	LATERAL IZQUIERDO CIERRE COLIN COPERCHIO LATERALE SELLINO SX. LH SIDE SEAT COVER	SEITENABDECKUNG COUVERCLE SELLE LATERAL GA.	12	
17A		00H01501701	TORNILLO FIJACION 6X16 INOX VITE SCREW	SCHRAUBE VIS	12	
18A		00003515370	ARANDELA GOMA RONDELLA WASHER	SCHEIBE RONDELLE	12	
19A		00000031050	ARANDELA PLANA D5 RONDELLA WASHER	SCHEIBE RONDELLE	12	
20A		00H04400711	TUERCA RIVKLE M6 DADO NUT	MUTTER ECROU	12	
21A		00H04411771	LATERAL DERECHO DEPÓSITO COPERCHIO LATERALE DX. SERBATOIO RH SIDE FUEL TANK COVER	BENZINTANK ABDECKUNG COUVERCLE RESERVOIR LATERAL DR.	12	

**PIEZAS SIN CALCAS  
PARTS WITHOUT DECALS**

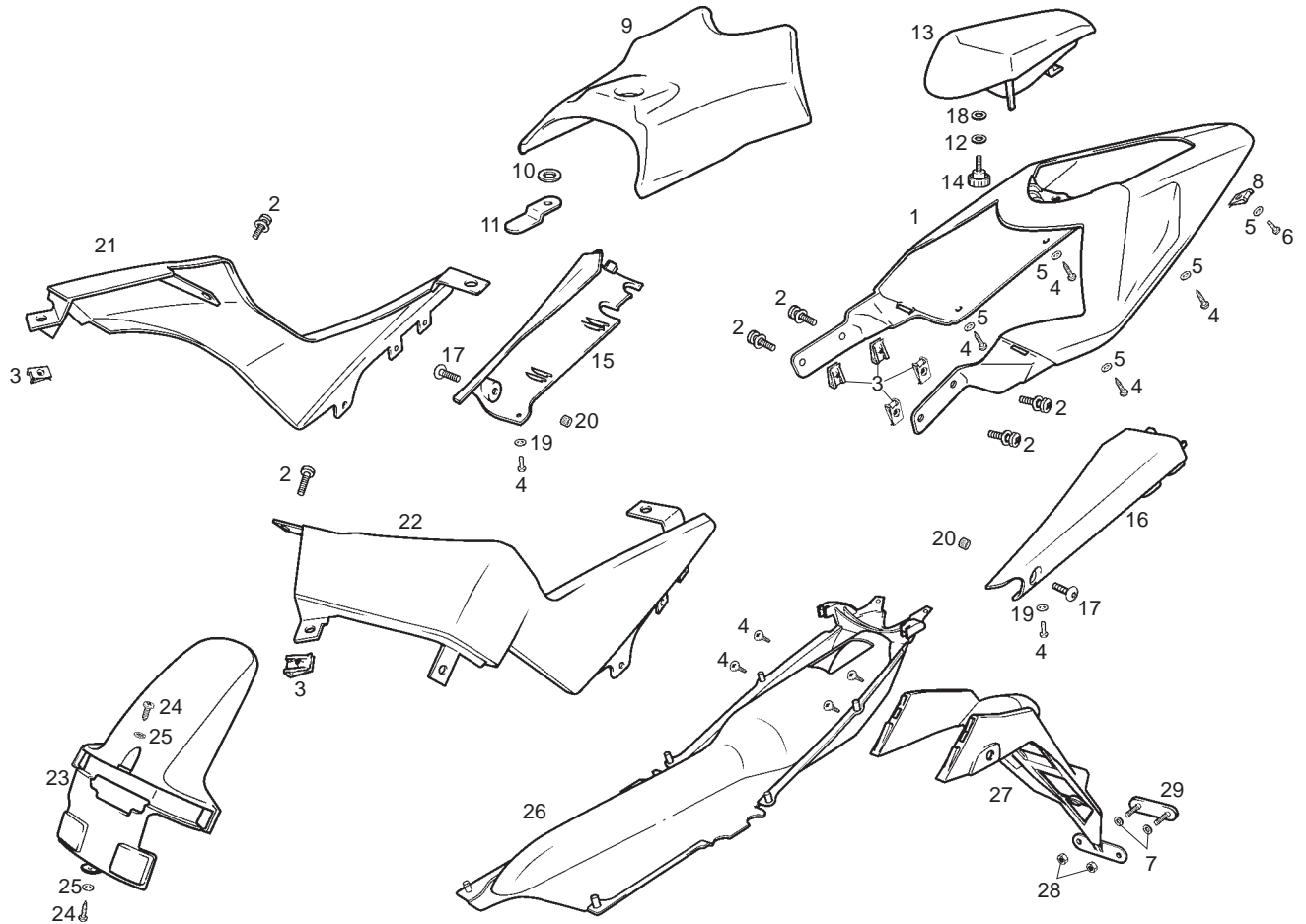


Fig.	Ver.	COD. KOD.	DESCRIPCIÓN DENOMINAZIONE NAME	BEZEICHUNG DESIGNATION	MOD.	NOTAS NOTES NOTA MITSCHRIFT NOTES
22A		00H04411781	LATERAL IZQUIERDO DEPÓSITO COPERCHIO LATERALE SX. SERBATOIO LH SIDE FUEL TANK COVER	BENZINTANK ABDECKUNG COUVERCLE RESERVOIR LATERAL GA.	12	
23A		00H00707121	GUARDABARROS TRASERO PARAFANGO POSTERIORE REAR MUDGUARD	KOTFLUGEL HI. GARDE-BOUE ARRIERE	12	
24A		00011241300	TORNILLO AUT.C/CRUZ 4,2X13 VITE SCREW	SCHRAUBE VIS	12	
25A		00000031050	ARANDELA PLANA D5 RONDELLA WASHER	SCHEIBE RONDELLE	12	
26A		00H00706381	SUPL. SUP. GUARDABARROS TRAS. SUPPL. SUP. PARAFANGHI POSTERI REAR UPPER MUDGUARD EXTENSION	SPRITZSCHUTZ OBERE HINTEN SUPPL. SUP. GARDE-BOUE ARRIERE	12	
27A		00H00717341	SUPL. GUARDABARROS TRASERO SUPPL. PARAFANGHI POSTERI REAR MUDGUARD EXTENSION	SPRITZSCHUTZ HINTEN SUPPL. GARDE-BOUE ARRIERE	12	
28A		00000023040	TUERCA AUTOBLOCANTE 4M70 DADO NUT	MUTTER ECROU	12	
29A		00G04403752	CATADIOPTRICO CATADIOTTRO REFLECTOR	RÜCKSTRAHLER CATADIOPTRE	12	

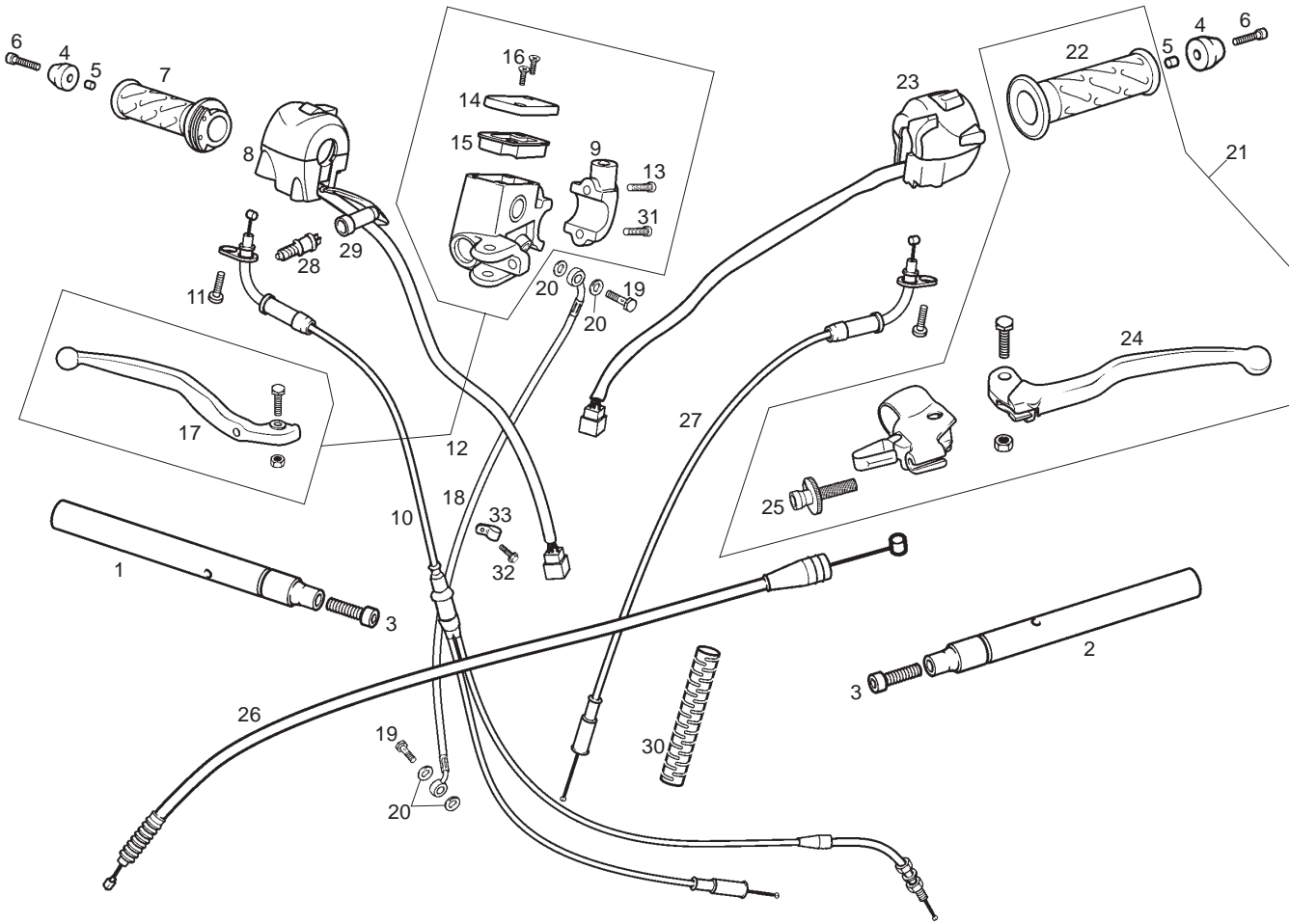


Fig.	Ver.	COD. KOD.	DESCRIPCIÓN DENOMINAZIONE NAME	BEZEICHUNG DESIGNATION	MOD.	NOTAS NOTES NOTA MITSCHRIFT NOTES
01A		00H00902471	SEMIMANILLAR DERECHO SEMI-MANUBRIO NE DX. RH. HANDLEBAR SUB-ASSEMBL	GRUPPE LENKER RE. SEMI-GUIDON DR.	12	
02A		00H00902481	SEMIMANILLAR IZQUIERDO SEMI-MANUBRIO NE SX. LH. HANDLEBAR SUB-ASSEMBL	GRUPPE LENKER LI. SEMI-GUIDON GA.	12	
03A		00002083001	TORNILLO C/ALLEN 8M125X30 VITE SCREW	SCHRAUBE VIS	12	
04A		00G02102923	CONTRAPESO MANILLAR CONTRAPPESO MANOPOLA COUNTERWEIGHT, HANDLEBAR	GEGENGEWICHT DES LENKERS CONTRE POIDS DE GUIDON	12	
05A		00H01600911	CASQUILLO GHIERA SILENT.FISS.CRUSCOT.FE BUSHING	FUHRUNGSBUCHSE GABELSCHENK ENTRETOISE	12	
06A		00004154000	TORNILLO C/ALLEN 5M80X40 VITE SCREW	SCHRAUBE VIS	12	
07A		00H00903081	CTO PUÑO GAS MANOPOLA ACCELERATO THROTTLE TWIST GRIP ASSY	GASGRIFF KOMPL. ENSEMBLE POIGNEE GAZ	12	
08A		00H02101631	CONMUTADOR ARRANQUE ELECTRICO INTERRUPTORE SWITCH	STOPSCHALTER INTERRUPTEUR	12	
09A		00H02101901	BRIDA FIJACION MANILLAR FLANGIA FISSAGGIO SECURING CLAMP	BEF.-SHELLE COLLIER	12	
10A		00H00932171	CABLE GAS CAVO-FODERO ACCELER CABLE ASSY THROTTLE	GASKABEL GAINÉ ET CABLE DE GAZ	12	
11A		00000012516	TORNILLO C/REDONDA CRUZ 5M80X16 VITE SCREW	SCHRAUBE VIS	12	

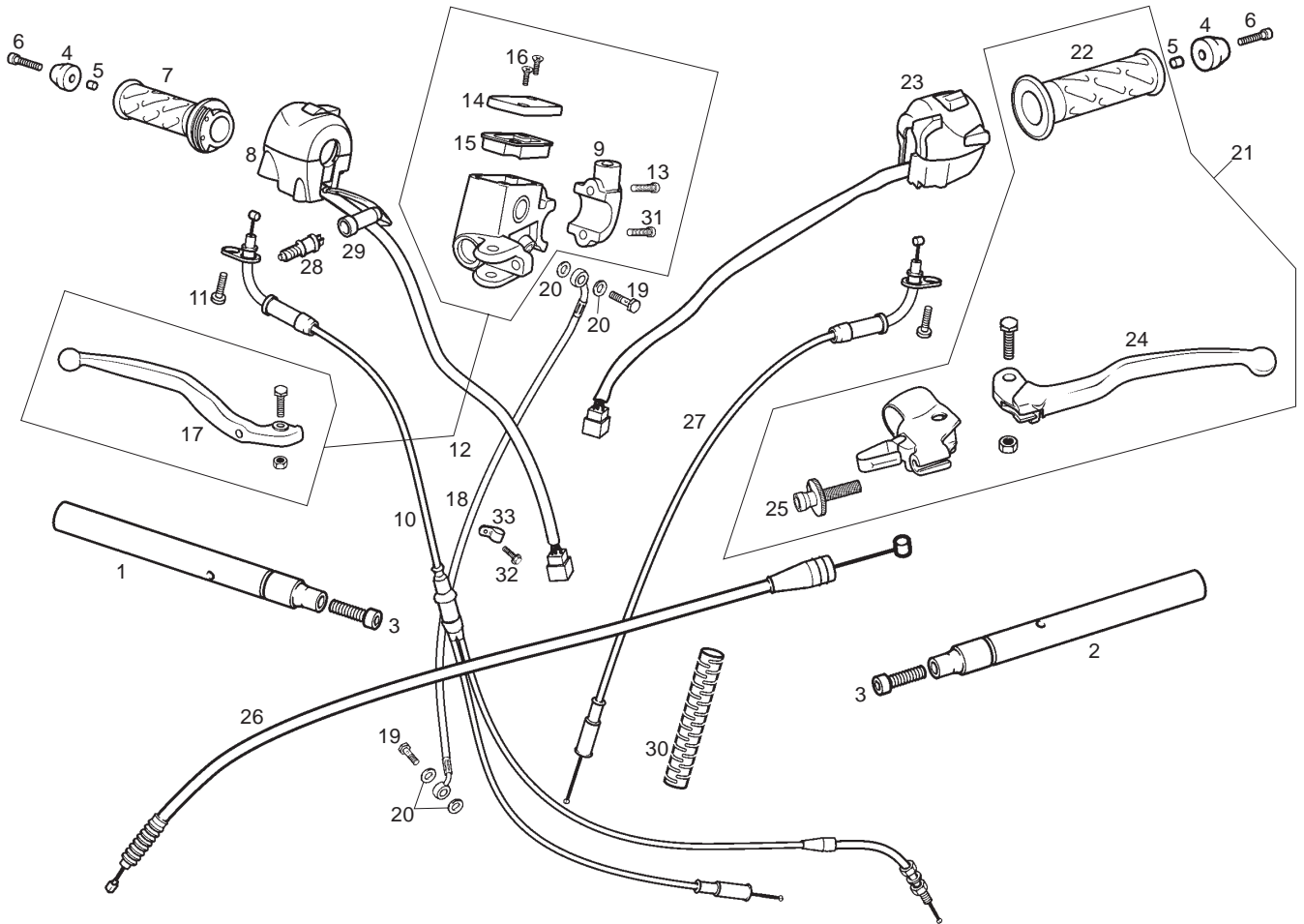


Fig.	Ver.	COD. KOD.	DESCRIPCIÓN DENOMINAZIONE NAME	BEZEICHUNG DESIGNATION	MOD.	NOTAS NOTES NOTA MITSCHRIFT NOTES
12A		00H02111081	CTO BOMBA FRENO DELANTERO COMANDO FRENO ANT FRONT BRAKE LEVER/CYLINDER	BREMSPUMPE R-ENS. CO DE FREIN AV.	12	
13A		00004163500	TORNILLO C/ALLEN 6M100X35 VITE SCREW	SCHRAUBE VIS	12	
14A		00H02102191	TAPA DEPOSITO LIQUIDO FRENOS COPERCHIO SERBATOIO LIQUIDO BRAKE FLUID RESERVOIR CAP	BREMSPFLUESSIGKEITSBEHAELTE R-COUV.RESER.LIQ.FREIN AVAN	12	
15A		00H02102861	JUNTA TAPA DEPOSITO GUARNIZIONE COPERCHIO SERBA BRAKE FLUID RESERVOIR CAP SEA	BREMSDECKELDICHUNG R-JOINT COUV. RES. LIQ. FR. AV.	12	
16A		00014041200	TORNILLO TAPA LIQUIDO FRENOS VITE SCREW	SCHRAUBE VIS	12	
17A		00H00907201	MANETA FRENO DELANTERO LEVA FRONT BRAKE LEVER	BREMSHEBEL KOMPL. R-MANETTE DU FREIN	12	
18A		00H00922751	TUBO LIQUIDO FRENO DT. SUBTUBO LIQ. FRE. ANT. BRAKE FLUIT TUBE	BREMSSCHLAUCH FLEXIBLE DE FREIN AVANT	12	
19A		00006309260	RACORD TUBO HIDRAULICO RACCORDO TUBO IDRAULICO HYDRAULIC TUBE CONNECTOR	STUTZEN HYDRAULIKLEITUNG RACCORD TUYAU HYDRAULIQUE	12	
20A		00006321040	ARANDELA JUNTA RACORD RONDELLA WASHER	SCHEIBE RONDELLE	12	
21A		00H02108611	PORTAMANETAS IZQUIERDO PORTAMANOPOLA SINIS LEFT LEVER BRACKET	BREMSHEBEL LINKS KOMPLETT ENS. PORTE-MANETTE GAUCHE	12	
22A		00H00902071	EMPUÑADURA EMBRAGUE MANOPOLA FRENO POSTERIORE GRIP	GRIFFGUMMI LINKS POIGNEE FREIN ARRIERE	12	

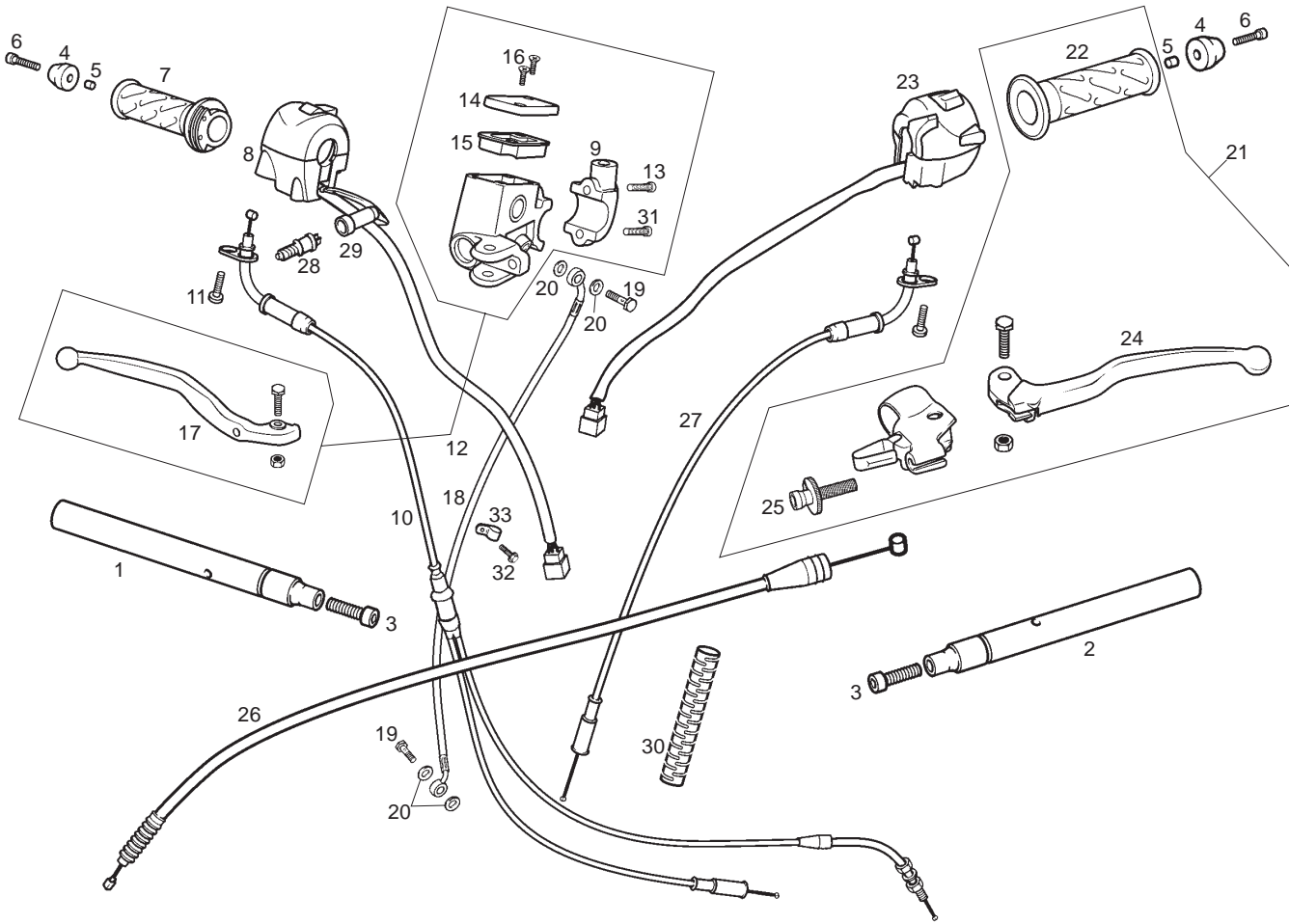


Fig.	Ver.	COD. KOD.	DESCRIPCIÓN DENOMINAZIONE NAME	BEZEICHNUNG DESIGNATION	MOD.	NOTAS NOTES NOTA MITSCHRIFT NOTES
23A		00H02304171	CONMUTADOR LUCES CONMUTATORE LUCI SWITCH	LICHTSCHALTER INVERSEUR AVEC CABLE	12	
24A		00H00904291	MANETA EMBRAGUE LEVIER EMBRAYAGE CLUTCH LEVER	KUPPLUNGSHABEL LEVIER EMBRAYAGE	12	
25A		00H00900551	TENSOR MANETA EMBRAGUE TENSORE CABO CLUTCH CABLE TIGHTENING DEVIC	SHELLE COLLIER FIX ELIERIE	12	
26A		00H00921301	CABLE-FUNDA EMBRAGUE CAVO-GUAINA FRIZ. CLUTCH COVER AND CAB.SUB.ASSY.	KUPPLUNGZUG GAINE ET CABLE DIEMBRAYAGE	12	
27A		00H00904651	CABLE FUNDA AIRE CAVO FODERO ARIA CABLE ASSY, CHOKE.	U-GRUPPE KABEL LUFTHULLE CABLE ET GAINÉ AIR.	12	
28A		00D01000701	INTERRUPTOR STOP INTERRUPTORE COMANDO STOP SWITCH, STOP LIGHT	STOPPSCHALTER VO. INTERRUPTEUR COMMANDEMENT STOP	12	
29A		00005010760	CAPUCHON CAPPUCCIO RUBBER COVER	GUMMISCHUTZ STOPLICHTSCHALTER CAPUCHON	12	
30A		00H01000541	PROTECTOR CABLES PROTEZIONE WIRING HARNESS CONNECTOR	WIRING HARNESS CONNECTOR PROTE PROTECTION CONNEXIONS INSTALLA	12	
31A		00004062200	TORNILLO C/ALLEN 6M100X22 VITE SCREW	SCHRAUBE VIS	12	
32A		00002061011	TORNILLO C/ALLEN 6M100X10 VITE SCREW	SCHRAUBE VIS	12	
33A		00H02200591	ABRAZADERA 10/15 W1 FLANGIA CLAMP	BEF.-SHELLE COLLIER	12	

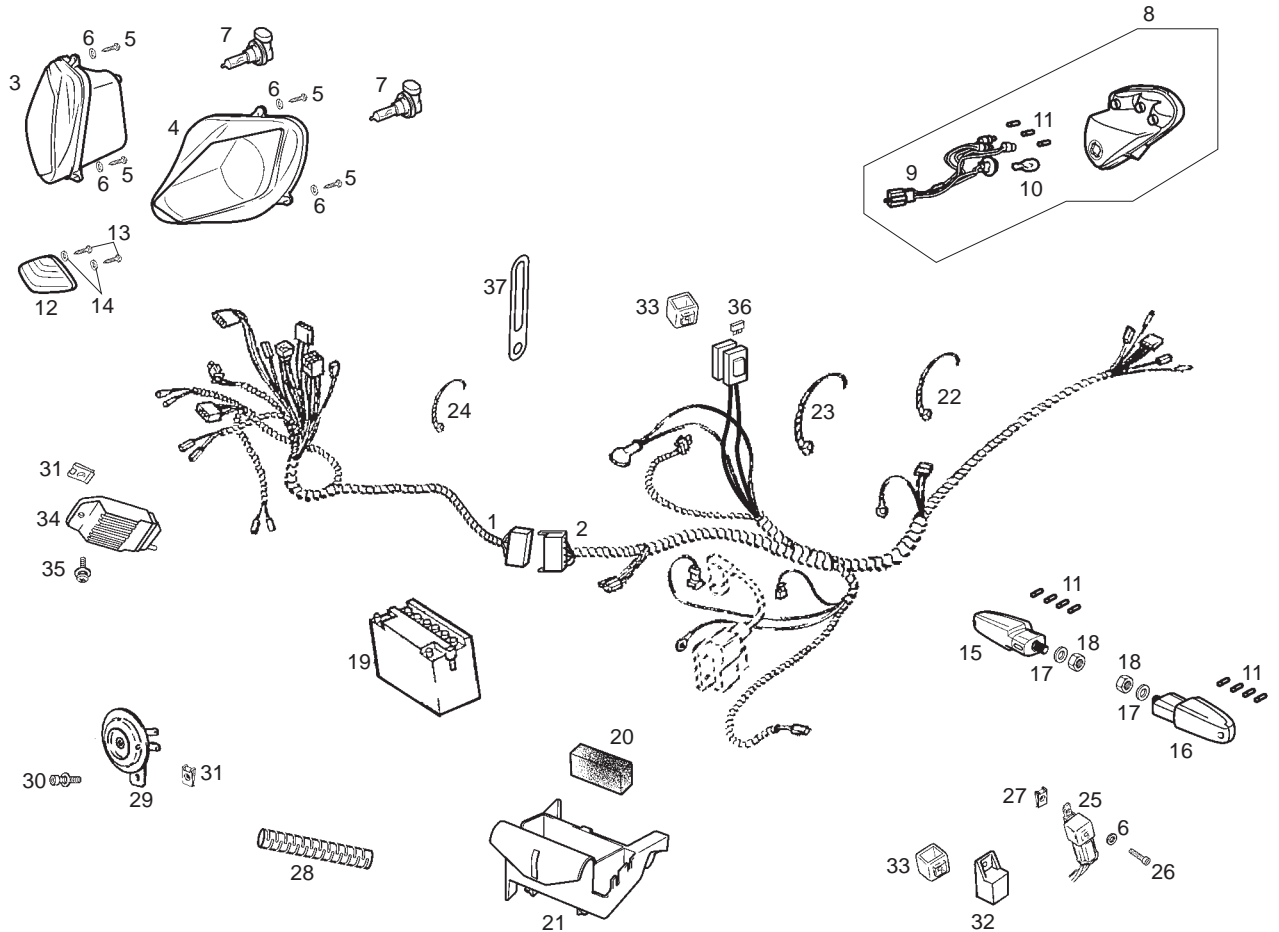


Fig.	Ver.	COD. KOD.	DESCRIPCIÓN DENOMINAZIONE NAME	BEZEICHUNG DESIGNATION	MOD.	NOTAS NOTES NOTA MITSCHRIFT NOTES
01A		00H02304121	INSTALACION ELECTRICA DELANTERA IMPIANTO ELETTRICO ELECTRICAL INSTALATIONS ASSY.	ELEKTROINSTALLATION FAISCEAU ELECTRIQUE	12	
02A		00H05704051	INSTALACION ELECTRICA TRASERA IMPIANTO ELETTRICO ELECTRICAL INSTALATIONS ASSY.	ELEKTROINSTALLATION FAISCEAU ELECTRIQUE	12	
03A		00G01026011	CTO FARO DT DERECHO (H8) GRUPPO OTTICO DX RIGHT LIGHT UNIT	SCHEINWERFER OPTIQUE	12	
04A		00G01027011	CTO FARO DT IZQUIERDO (H8) GRUPPO OTTICO SX LEFT LIGHT UNIT	SCHEINWERFER OPTIQUE	12	
05A		00011031801	TORNILLO AUTOROSCANTE 3,6X18 VITE SCREW	SCHRAUBE VIS	12	
06A		00000031050	ARANDELA PLANA D5 RONDELLA WASHER	SCHEIBE RONDELLE	12	
07A		00H01004131	LAMPARA FARO H8 12V-35W LAMPADA BULB	BIRNE AMPOULE	12	
08A		00H01011321	CTO FARO PILOTO FANALINO POSTERIORE TAILLIGHT ASSY	GRUPPE RICKLICHT FEU ARRIERE	12	
09A		00H01003951	INSTALACION FARO PILOTO IMPIANTO FANALINO POSTERIORE TAILLIGHT EQUIPMENT	GR. RICKLICHT ELEKTROINSTALLATION FAISCEAU FEU ARRIERE	12	
10A		00H01000681	BOMBILLA FRENO FARO PILOTO 12V16W LAMPADA BULB	BIRNE AMPOULE	12	
11A		00H01001371	BOMBILLA POS. FARO PILOTO 12V 2,3W LAMPADA BULB	BIRNE AMPOULE	12	





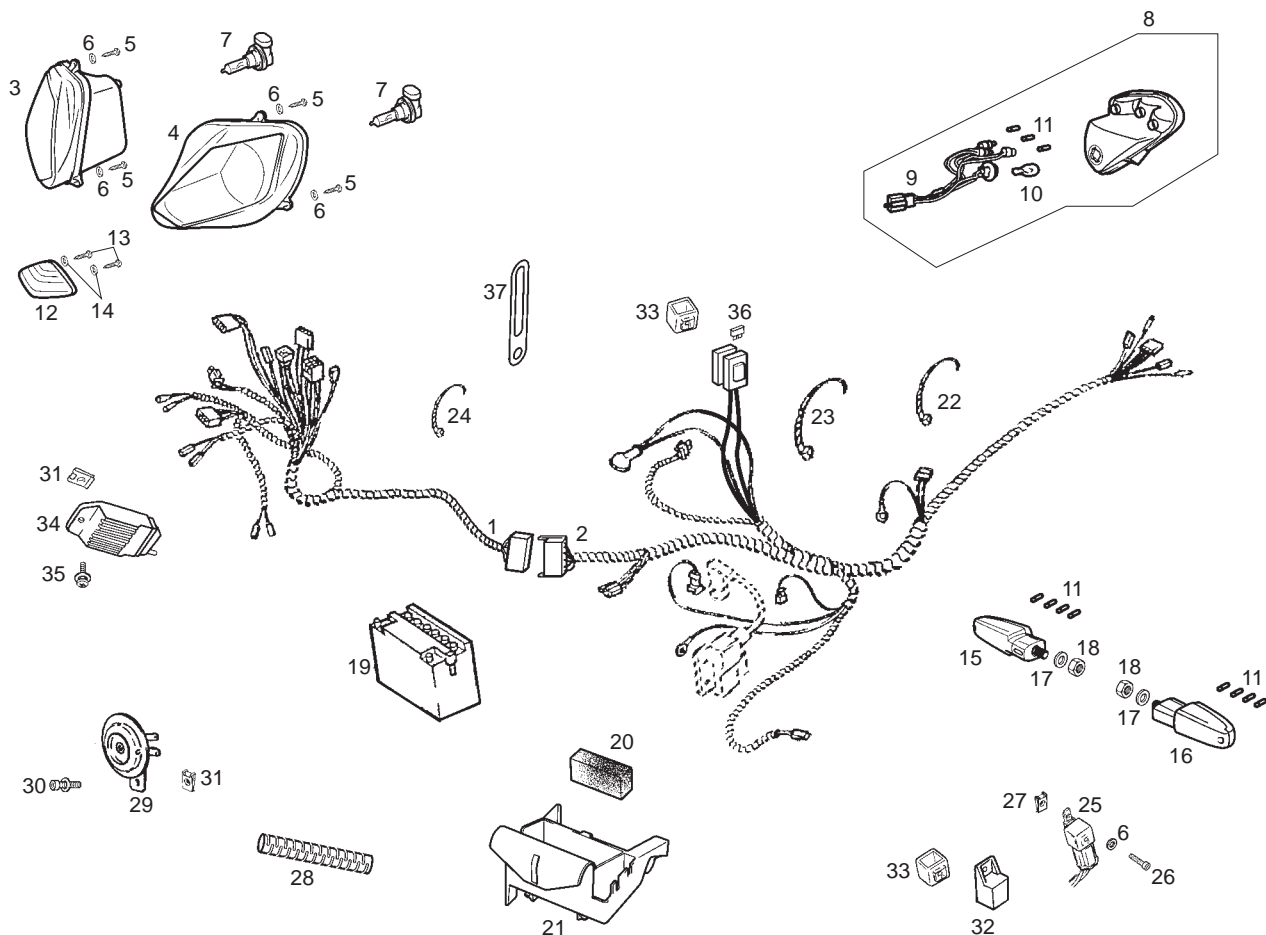


Fig.	Ver.	COD. KOD.	DESCRIPCIÓN DENOMINAZIONE NAME	BEZEICHUNG DESIGNATION	MOD.	NOTAS NOTES NOTA MITSCHRIFT NOTES
23A		00F00900531	BRIDA FLANGIA BLACK CABLE TIE	KABELBINDER COLLIER	12	
24A		00D00900531	BRIDA FLANGIA BLACK CABLE TIE	KABELBINDER COLLIER	12	
25A		00H05700711	RELE LUZ RAFAGA RELE RELAY	RELAIS RELAIS	12	
26A		00012051200	TORNILLO C/REDONDA CRUZ 5M80X12 VITE SCREW	SCHRAUBE VIS	12	
27A		00H01500691	TUERCA FIJACION D5 DADO NUT	MUTTER ECROU	12	
28A		00H01000541	PROTECTOR CABLES PROTEZIONE COLLEGAMENTI IMPIA WIRING HARNESS CONNECTOR PROT	VERKABELUNGS-SCHUTZ PROTECTION CONNEXIONS INSTALLA	12	
29A		00H01005311	CTO CLAXON CLACSON HORN	HUPE E. AVERTISSEUR	12	
30A		00G06800021	SCTO TORNILLO 6M100X20 VITE SCREW	SCHRAUBE VIS	12	
31A		00D01501371	TUERCA FIJACION D6 DADO NUT	MUTTER ECROU	12	
32A		584521	RELE ARRANQUE ELECTRICO RELT AVVIANENTO ELE ELECTRIC START RELAY	STARTERRELAIS ENS. RELAIS DEMARRAGE ELECT.	12	
33A		942577	SOPORTE ELASTICO APOGGIO TELERUTTTORE RELAY SUPPORT	FERNSCHALTER STUTZE APPUI RELAIS	12	

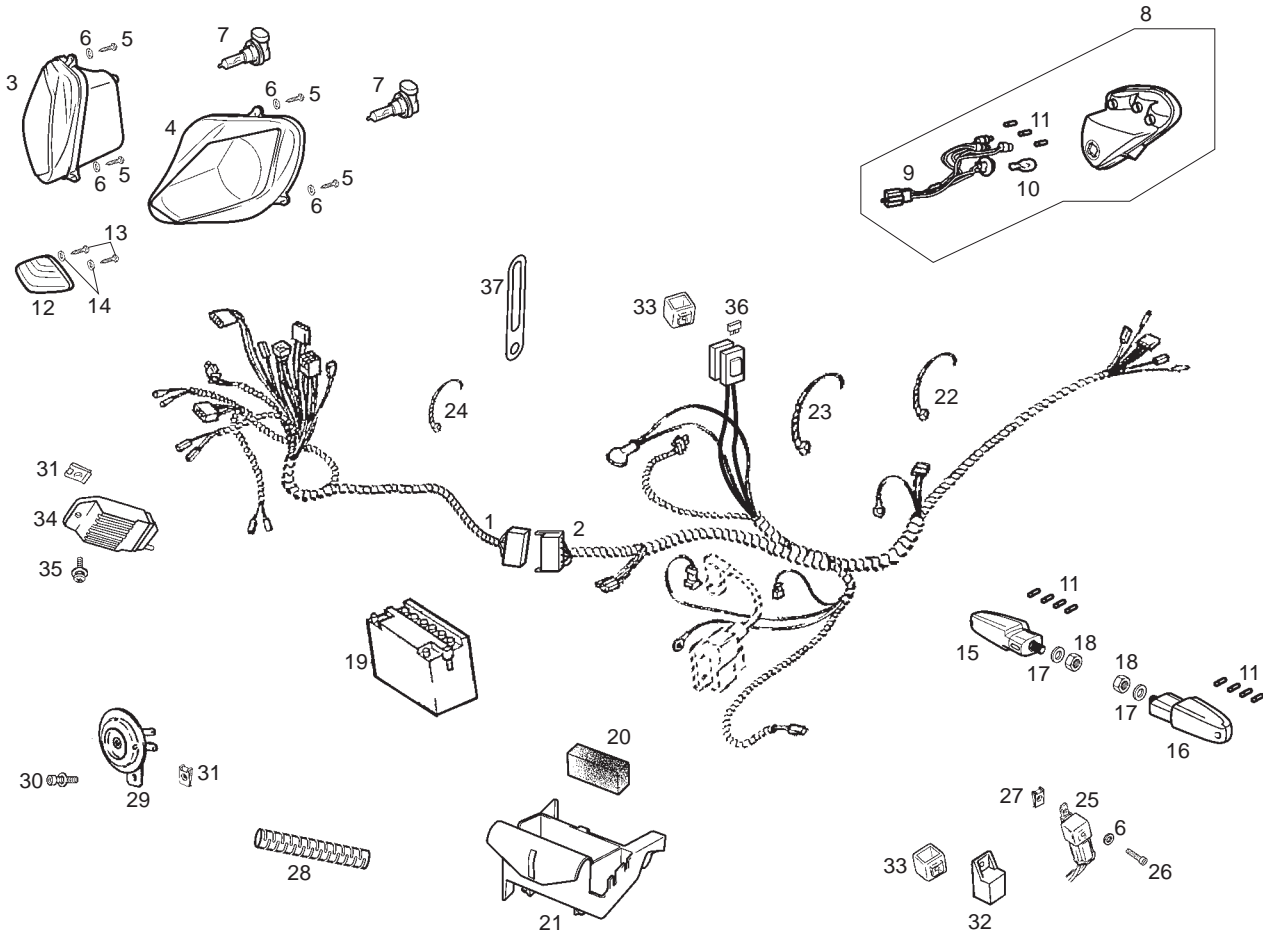


Fig.	Ver.	COD. KOD.	DESCRIPCIÓN DENOMINAZIONE NAME	BEZEICHNUNG DESIGNATION	MOD.	NOTAS NOTES NOTA MITSCHRIFT NOTES
34A		00H01008841	REGULADOR REGOLATORE TENSIONE REGULATOR	REGLER REGULATEUR	12	
35A		00D05900081	SCTO TORNILLO 6M100X16 VITE SCREW	SCHRAUBE VIS	12	
36A		00H01001911	FUSIBLE 7,5 AMP FUSIBILE FUSE	FUSE FUSIBLE	12	
37A		00G03702181	BRIDA FLANGIA FISSAGGIO SECURING CLAMP	BEF.-SHELLE COLLIER	12	

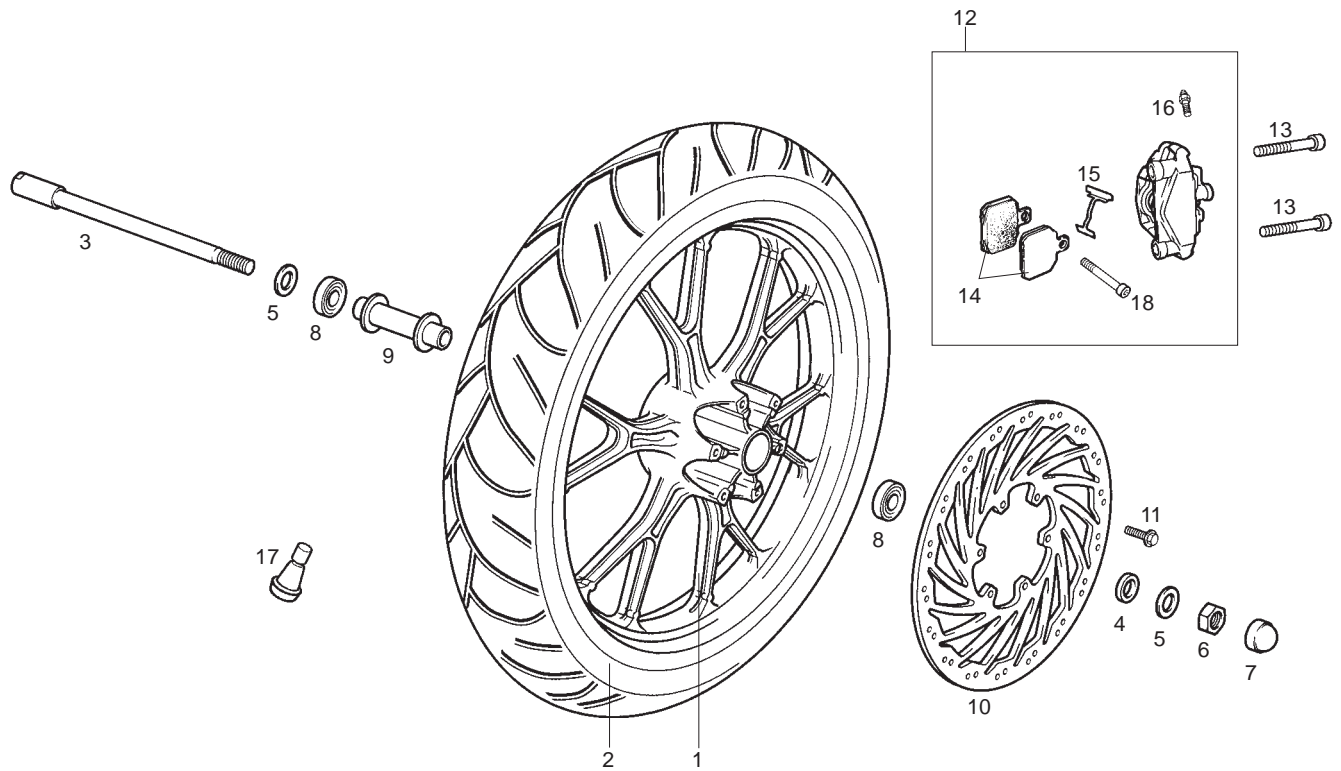


Fig.	Ver.	COD. KOD.	DESCRIPCIÓN DENOMINAZIONE NAME	BEZEICHNUNG DESIGNATION	MOD.	NOTAS NOTES NOTA MITSCHRIFT NOTES
01A		00H01212841	CTO LLANTA DELANTERA CERCHIO ANTERIORE FRONT WHEEL	FELGE VORNE JANTE DE DEVANT	12	
02A		00H01221111	CUBIERTA DELANTERA 100/80X17" COPERTONE TYRE	REIFEN PNEU	12	
03A		00H01205271	EJE RUEDA DELANTERA ASSE RUOTA ANTERIORE FRONT WHEEL AXLE	VORDERRADACHSE AXE ROUE AVANT	12	
04A		00H01203291	CASQUILLO LADO DISCO GHIERA RUOTA LATO DISCO SPACER, REAR WHEEL DISC SIDE	DISTANZHULSE ENTRETOISE	12	
05A		00032015000	ARANDELA PLANA D15 RONDELLA WASHER	U.SCHEIBE RONDELLE	12	
06A		00H00300672	TUERCA CABEZA EJE RUEDA DADO NUT	MUTTER ECROU	12	
07A		00H01201331	PROTECTOR TUERCA PROTEZIONE PROTECTOR	ABDECKUNG PROTECTEUR	12	
08A		00058020200	COJINETE CUSCINETTO BEARING	LAGER COUSSINET	12	
09A		00H01205031	SEPARADOR COJINETES RUEDA DT Distanziale CUSCINETTO BEARING DISTANCE BUSH	TRENNSTÜCK KUGELLAGER ENTRETOISE DE ROULEMENT	12	
10A		00H01215021	DISCO FRENO DELANTERO DISCO FRENO FRONT BRAKE DISC	BREMSSCHEIBE VORNE DISQUE DE FREIN AVANT	12	
11A		00H02402282	TORNILLO FIJACION DISCO 6X20 VITE FISSAGGIO DISCO FRENO REAR BRAKE DISC SECURING SCREW	BEF.-SCHRAUBE BREMSSCHEIBE VIS	12	

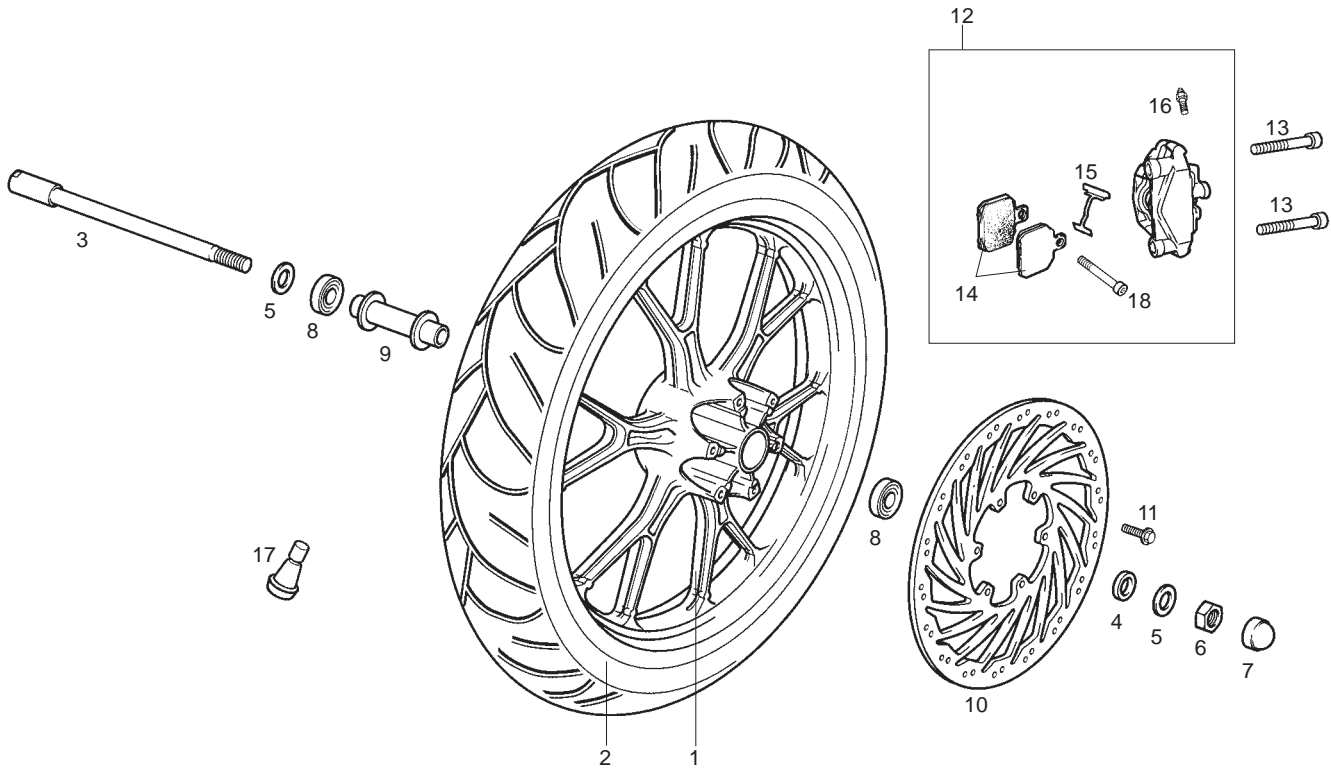


Fig.	Ver.	COD. KOD.	DESCRIPCIÓN DENOMINAZIONE NAME	BEZEICHNUNG DESIGNATION	MOD.	NOTAS NOTES NOTA MITSCHRIFT NOTES
12A		00H01207191	PINZA FRENO DELANTERO PINZA ANTERIORE BRAKE CALIPER	BREMSZANGE VORNE ENSEMBLE PINCE FREIN	12	
13A		00000004160	TORNILLO C/ALLEN 10M150X60 VITE SCREW	SCHRAUBE VIS	12	
14A		00H04704141	JUEGO PASTILLAS FRENO DT CONG. PASTIGLIE FRENO SET OF BRAKE PADS	DIE GESAMTHEIT BREMSBACKEN ENS. PLAQUETTE DE FREIN	12	
15A		00H04700171	MUELLE FIJACION PASTILLAS FRENO DT MOLLA SPRING	FEDER RESSORT	12	
16A		00H04700121	CTO. PURGADOR PINZA SPURGO PINZA FRENO ANTERIORE FRONT BRAKE CALIPER BLEED ASSY	ENTLUFTUNGSVENTIL EPURATEUR	12	
17A		00G04702091	VALVULA VALVOLA ARIA VALVE, TYRE	LUFTVENTIL RAEDER SOUPAPE D'ADMISSION D'AIR	12	
18A		00H04703171	TORNILLO FIJACION PASTILLAS VITE SCREW	SCHRAUBE VIS	12	

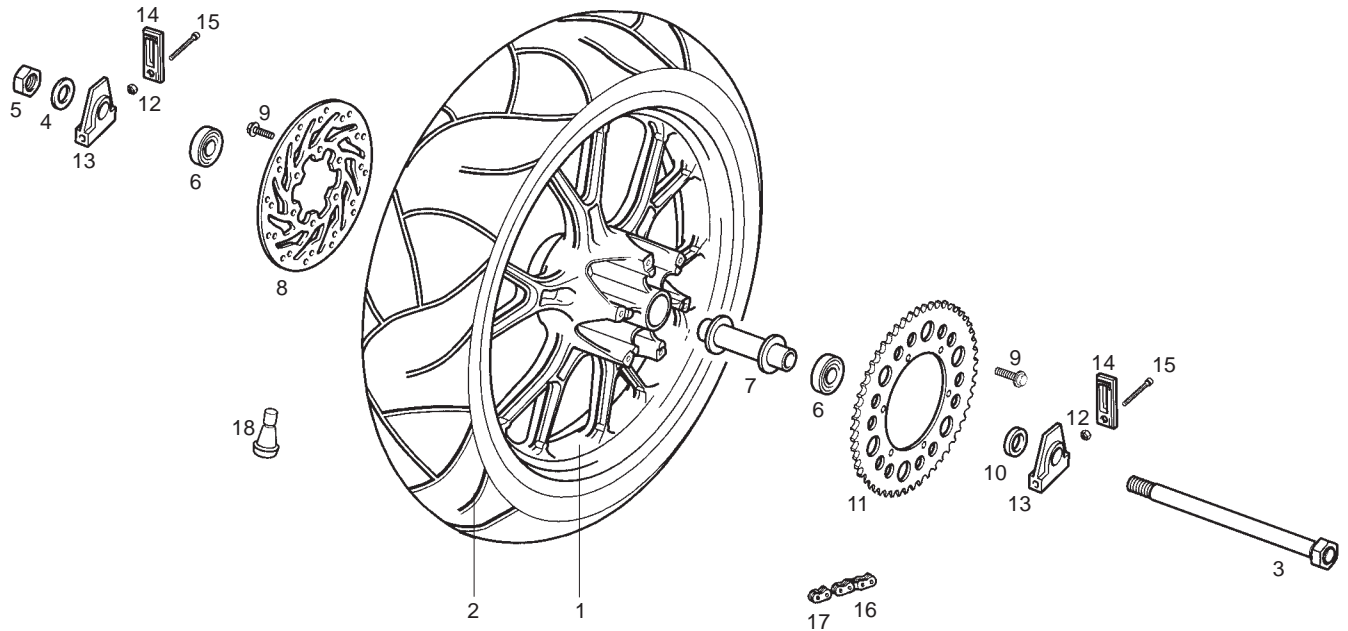


Fig.	Ver.	COD. KOD.	DESCRIPCIÓN DENOMINAZIONE NAME	BEZEICHNUNG DESIGNATION	MOD.	NOTAS NOTES NOTA MITSCHRIFT NOTES
01A		00H01310381	CTO LLANTA TRASERA CERCHIONE POSTERIORE REAR RIM	HINTERRAD JANTE ARRIERE	12	
02A		00H01323321	CUBIERTA TRASERA 130/70X17" COPERTONE TYRE	REIFEN PNEU	12	
03A		00H01306201	EJE RUEDA TRASERA ASSE RUOTA POSTE REAR WHEEL AXLE SUB-ASSEMBLY	U-GRUPPE HINTERRADACHSE S/ENSEMBLE AXE ROUE ARRIERE	12	
04A		00032015000	ARANDELA PLANA D15 RONDELLA WASHER	U.SCHEIBE RONDELLE	12	
05A		00281141503	TUERCA EXAGONAL 14M200 DADO NUT	MUTTER ECROU	12	
06A		00058020200	COJINETE CUSCINETTO BEARING	LAGER COUSSINET	12	
07A		00H01308091	SEPARADOR COJINETES RUEDA TRAS. Distanziale CUSCINETTO BEARING DISTANCE BUSH	TRENNSTÜCK KUGELLAGER ENTRETOISE DE ROULEMENT	12	
08A		00H01309531	DISCO FRENO TRASERO DISCO FRENO POSTERIORE REAR BRAKE DISC	BREMSSCHEIBE TR. DISQUE FREIN ARRIERE	12	
09A		00H02402282	TORNILLO FIJACION DISCO 6X20 VITE SCREW	SCHRAUBE VIS	12	
10A		00H01308181	CASQUILLO SEPARADOR LADO PLATO GHIERA SPACER	DISTANZHULSE ENTRETOISE	12	
11A		00H01323031	PLATO ARRASTRE Z53 PIATTO TRAINO DRIVE PLATE	MITNEHMERSCHEIBE COURONNE ARRIERE	12	

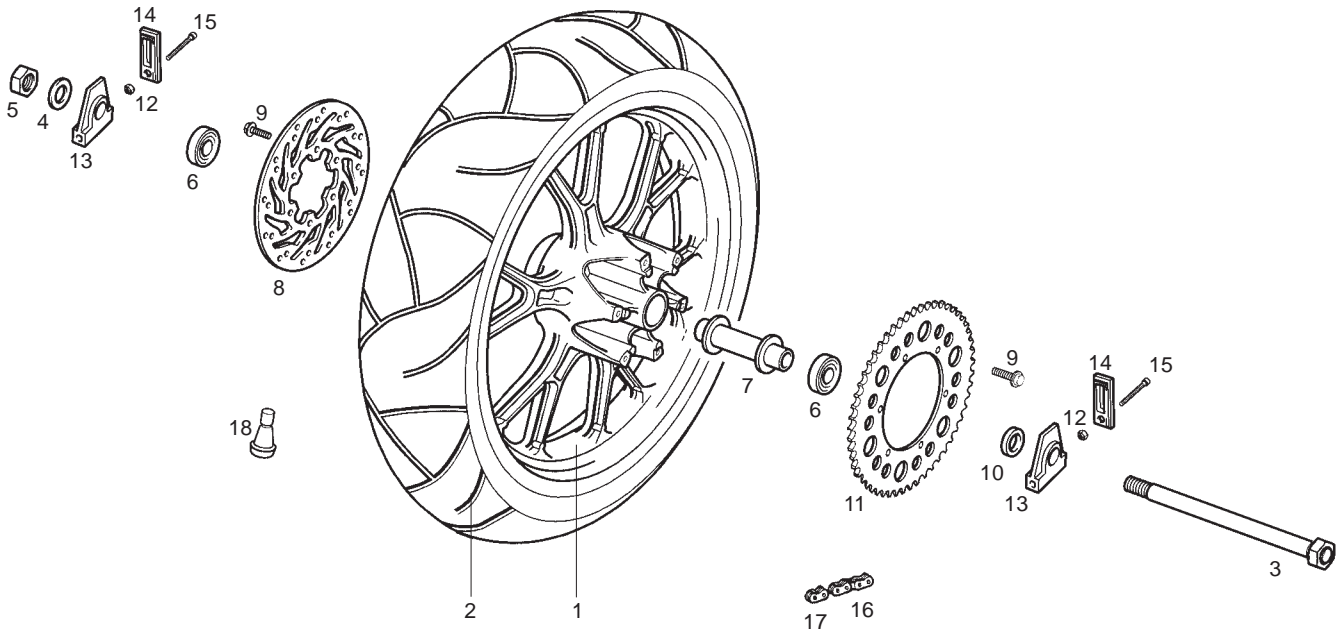


Fig.	Ver.	COD. KOD.	DESCRIPCIÓN DENOMINAZIONE NAME	BEZEICHNUNG DESIGNATION	MOD.	NOTAS NOTES NOTA MITSCHRIFT NOTES
12A		00000023060	TUERCA AUTOBLOCANTE 6M100 DADO NUT	MUTTER ECROU	12	
13A		00H01306811	TENSOR RUEDA TENSORE RUOTA ADJUSTER, REAR WHEEL ASSY	HINTERRADSPANNER TENDEUR DE ROUE ENSEMBLE	12	
14A		00H01306171	TAPETA TENSOR COPERCHIO TENSORE RUOTA ADJUSTER COVER	HINTERRADSPANNER DECKEL COUVERCLE TENDEUR	12	
15A		00H01302491	TORNILLO TENSOR CADENA VITE SCREW	SCHRAUBE VIS	12	
16A		00H01515201	CADENA SECUNDARIA 132P CATENA TRANSMISSION CHAIN	KETTE CHAINE TRANSMISSION	12	
17A		00H01501211	ENGANCHE CADENA AGGANCIAMENTO CATENA SICUREZZA MASTER LINK	KETTENSCHLOSS ATTACHE RAPIDE	12	
18A		00G04702091	VALVULA VALVOLA ARIA VALVE, TYRE	LUFTVENTIL RAEDER SOUPAPE D'ADMISSION D'AIR	12	

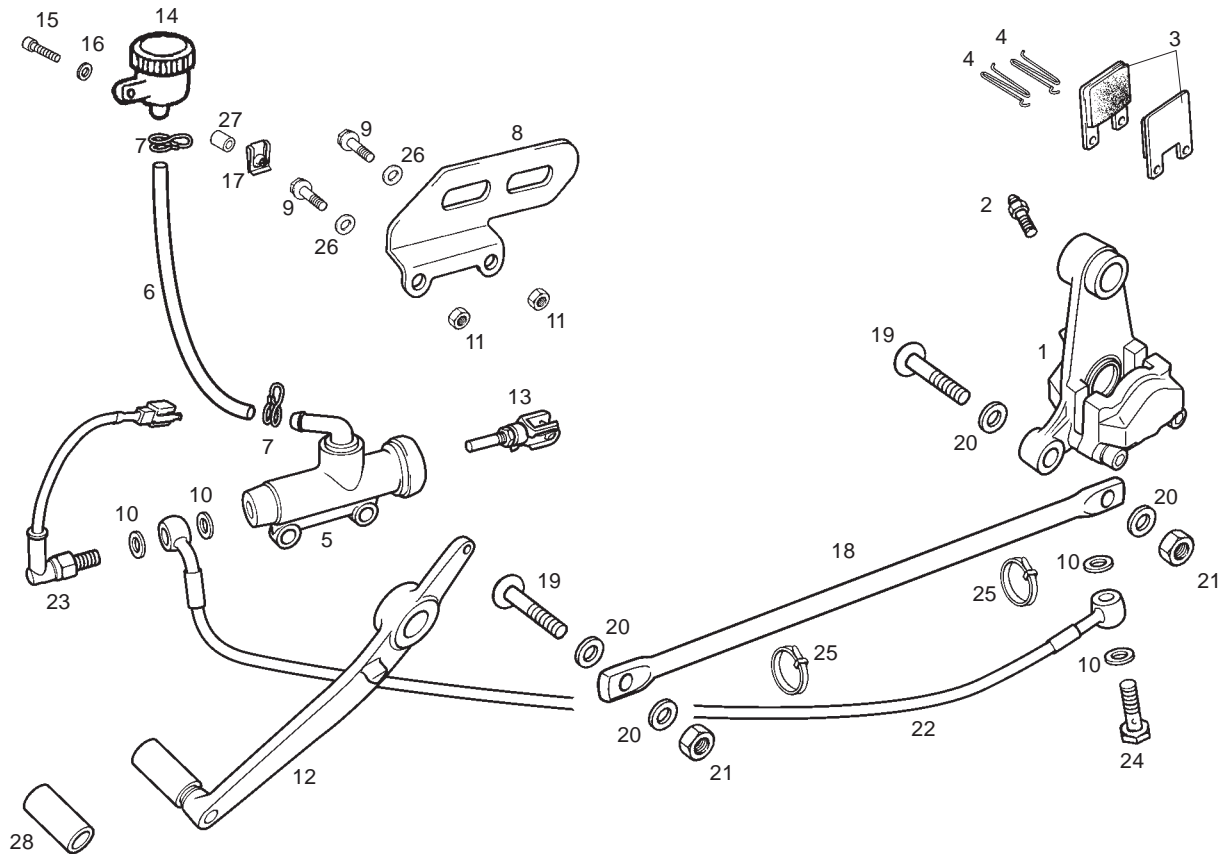


Fig.	Ver.	COD. KOD.	DESCRIPCIÓN DENOMINAZIONE NAME	BEZEICHUNG DESIGNATION	MOD.	NOTAS NOTES NOTA MITSCHRIFT NOTES
01A		00H01105581	PINZA FRENO TRASERO PINZA POSTERIORE REAR CLIP ASSEMBLY	BREMSZANGE HINTEN ETRIER FREIN ARR.	12	
02A		00H04700121	PURGADOR PINZA FRENO SPURGO PINZA FRENO POST. FRONT BRAKE BLEED CLIP ASSY	ABLASSHAHN R-ENS.PURGEUR PINCE FREIN A	12	
03A		00G04700141	JUEGO PASTILLAS FRENO CONG. PASTIGLIE FRENO SET OF BRAKE PADS	DIE GESAMTHEIT BREMSBACKEN ENS. PLAQUETTE DE FREIN	12	
04A		00H01301831	MUELLE FIJ PASTILLA FRENO TRASERO MOLLA FISSAGGIO PASTIGLIA FREN REAR BRAKE PAD SECUR SPR.	FEDER RESSORT FIXATION PLAQUETTE	12	
05A		00H01105181	BOMBA FRENO TRASERO FRENO POSTERIORE REAR BRAKE CONTROL ASSY	REAR BRAKE CONTROL ASSY. ENSEMBLE COMMANDE FREIN ARRIER	12	
06A		00H01101211	TUBO DEPOSITO A BOMBA TUBO SERBATOIO A POMPA FRENO P REAR FLUID TUBE	SCHLAUCH FLEXIBLE DE FREIN ARRIERE	12	
07A		00H03700131	ABRAZADERA RONDELLA STELLA INTERIORE ELASTIC CLAMP	SHELLE ELAST. COLLIER ELASTIQUE	12	
08A		00H01104701	PROTECTOR BOMBA FRENO PIASTRA PROTEZIONE POMPA FREN BRAKE CYLINDER PROTECTOR PLAT	SCHUTZPLATTE BREMSZYLINDER PLAQUE PROTECTION POMPE FREIN	12	
09A		00G01504701	TORNILLO FIJACION VITE SCREW	SCHRAUBE VIS	12	
10A		00006321040	ARANDELA JUNTA RACORD RONDELLA WASHER	U.SCHEIBE RONDELLE	12	
11A		00000023060	TUERCA AUTOBLOCANTE 6M100 DADO NUT	MUTTER ECROU	12	

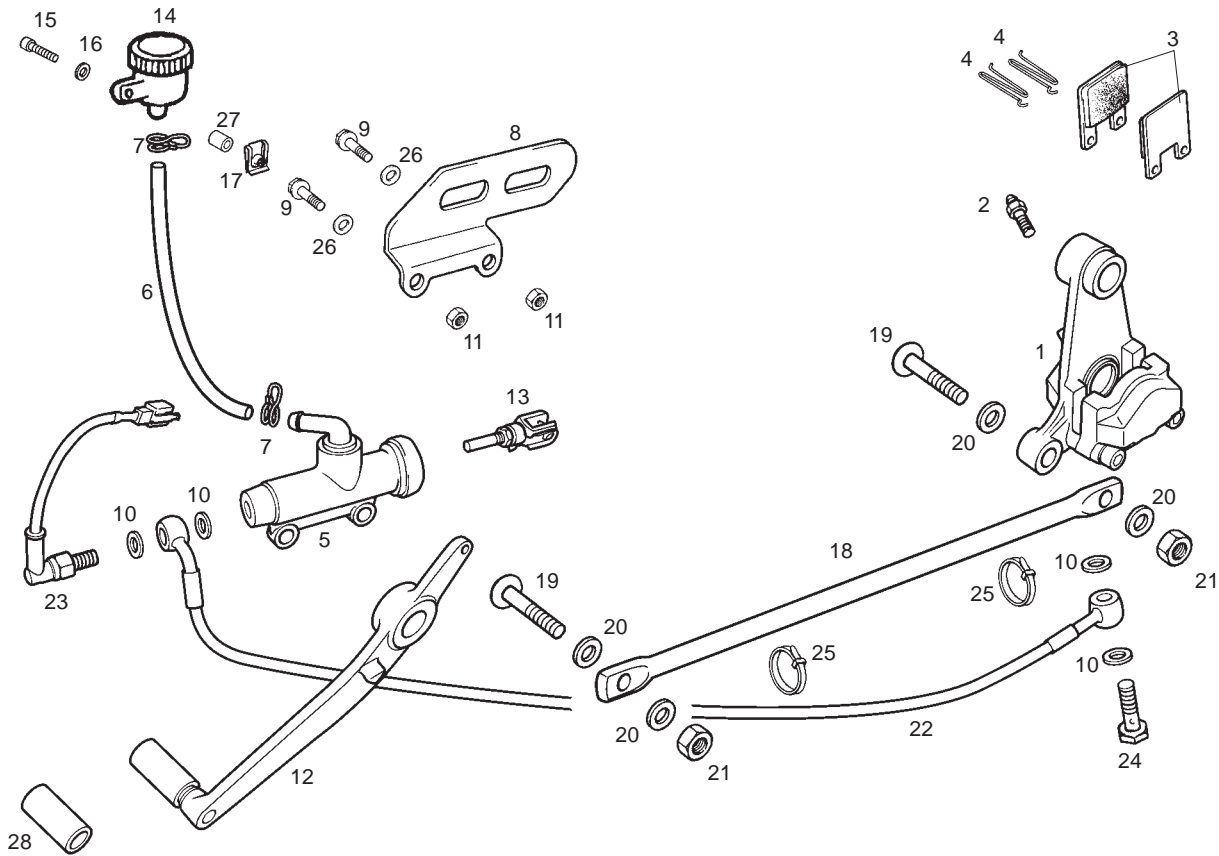


Fig.	Ver.	COD. KOD.	DESCRIPCIÓN DENOMINAZIONE NAME	BEZEICHNUNG DESIGNATION	MOD.	NOTAS NOTES NOTA MITSCHRIFT NOTES
12A		00H01100541	PEDAL FRENO SUBPEDALE FRONTALE BRAKE PEDAL SUB-ASSEMBLY	U-GRUPPE BREMSPEDAL S/ENSEMBLE PDALE FREIN	12	
13A		00H01104611	VARILLA BOMBA FRENO TRASERO ASTA POMPA FRENO REAR BRAKE ROD	BREMSSTANGE HINTEN TIGE DE FREIN ARRIERE	12	
14A		00D01100201	DEPOSITO LIQUIDO FRENO SERBATOIO LIQUIDO FR FLUID TUBE TANK	BEHALTER RESERVOIR FLUID TUBE	12	
15A		00002053051	TORNILLO 5M80X30 VITE SCREW	SCHRAUBE VIS	12	
16A		00H03800722	ARANDELA FIJACION D5 RONDELLA WASHER	U.SCHEIBE RONDELLE	12	
17A		00G04401462	TUERCA FIJACION D5 DADO NUT	MUTTER ECROU	12	
18A		00H01301311	TIRANTE FRENO TRASERO TIRANTE ROD	STRANG TIRANT	12	
19A		00G06800211	TORNILLO FIJACION VITE SCREW	SCHRAUBE VIS	12	
20A		00402100001	ARANDELA D10 RONDELLA WASHER	U.SCHEIBE RONDELLE	12	
21A		00262100032	TUERCA 10M150 DADO NUT	MUTTER ECROU	12	
22A		00H01113081	LATIGUILLO FRENO POSTERIOR TUBO LIQUIDO FRENO BRAKE TUBE	BREMSSCHLAUCH FLEXIBLE DE FREIN	12	



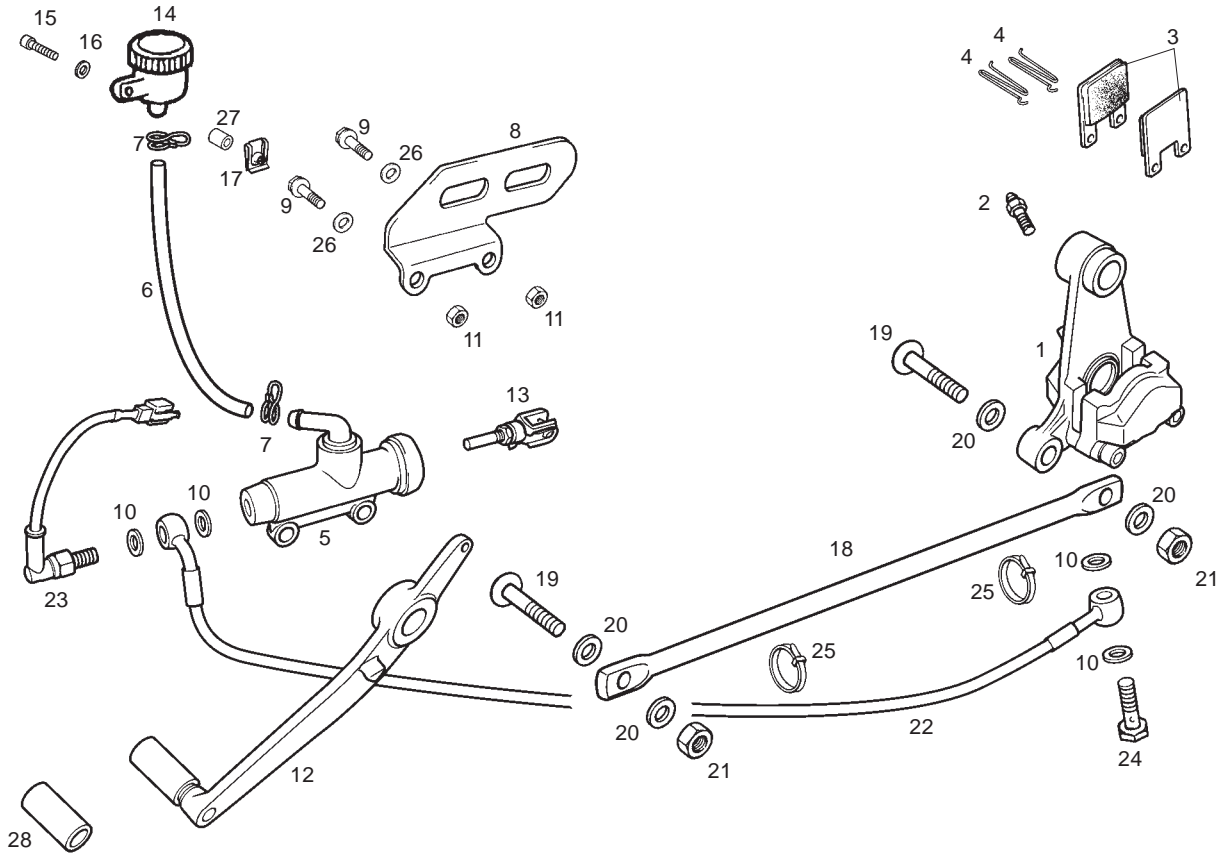


Fig.	Ver.	COD. KOD.	DESCRIPCIÓN DENOMINAZIONE NAME	BEZEICHNUNG DESIGNATION	MOD.	NOTAS NOTES NOTA MITSCHRIFT NOTES
23A		00H01100221	INTERRUPTOR STOP INTERRUTTORE COMANDO STOP SWITCH, STOP LIGHT	STOPSCHALTER VO. INTERRUPTEUR COMMANDEMENT STOP	12	
24A		00H00902261	RACORD RACCORDO TUBO IDRAULICO HYDRAULIC TUBE CONNECTOR	STUTZEN HYDRAULIKLEITUNG RACCORD TUYAU HYDRAULIQUE	12	
25A		00A00900531	BRIDA FLANGIA UNIONE CAVI NERA BLACK CABLE TIE	KABELBINDER COLLIER	12	
26A		00402060001	ARANDELA D6 RONDELLA WASHER	U.SCHEIBE RONDELLE	12	
27A		00H01002821	CASQUILLO GHIERA BUSH	DISTANZHULSE ENTRETOISE	12	
28A		00H02701271	PROTECTOR PALANCA PROTEZIONE PROTECTOR	SCHUTZ PROTECTION	12	

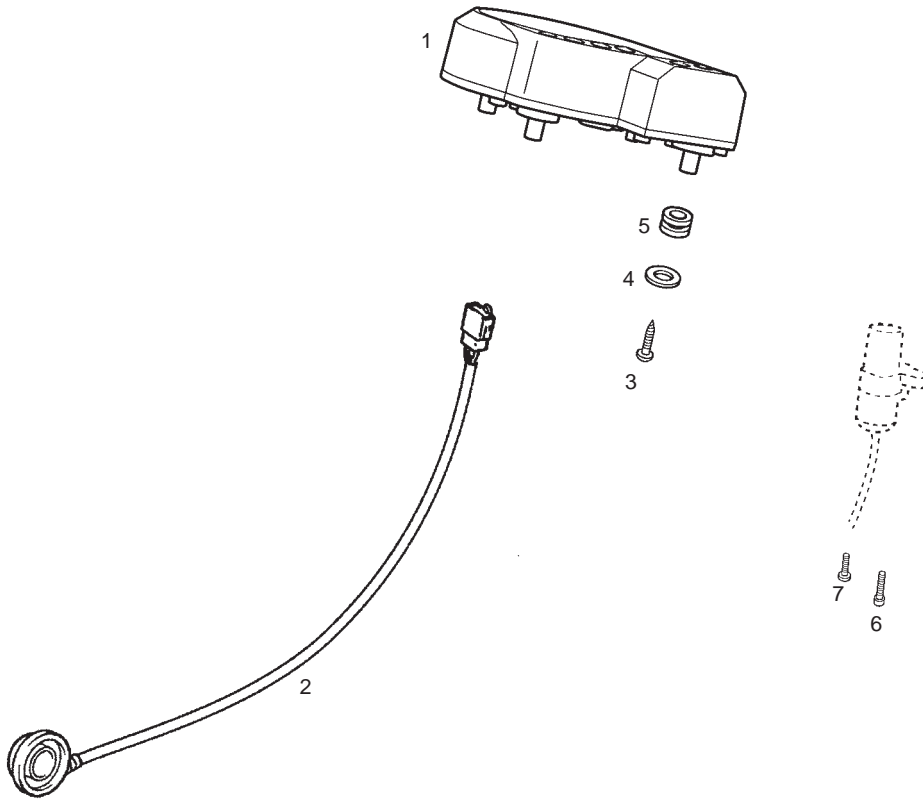


Fig.	Ver.	COD. KOD.	DESCRIPCIÓN DENOMINAZIONE NAME	BEZEICHNUNG DESIGNATION	MOD.	NOTAS NOTES NOTA MITSCHRIFT NOTES
01A		00H04325031	TABLIER PORTAINSTRUMENTOS KMH CRUSCOTTO (KM/H) DASH ASSY (KM/H)	INSTRUMENTERHALTER (KM/H) BOITIER TABLEAU BORD (KM/H)		KILOMETERS PER HOUR
01B		00H04326031	TABLIER PORTAINSTRUMENTOS MPH CRUSCOTTO (MILE/H) DASH ASSY (MILE/H)	INSTRUMENTERHALTER (MILE/H) BOITIER TABLEAU BORD (MILE/H)		MILES PER HOUR
02A		00H01615051	CTO REENVIO RINVIO RETURN UNIT.	RETURN UNIT. RENVOI DE ROUE	12	
03A		00011941300	TORNILLO AUTOROSCANTE 4,5X13 VITE SCREW	SCHRAUBE VIS	12	
04A		00D02600631	ARANDELA RONDELLA WASHER	U.SCHEIBE RONDELLE	12	
05A		00H01602941	SILENTBLOCK FIJACION TABLIER PORTACAVI IST. FARAFANGO POST. GROMMET	GUMMI CAOUTCHOUC PASSE-CABLE	12	
06A		00002082021	TORNILLO 8M125X20 VITE SCREW	SCHRAUBE VIS	12	
07A		00H06300791	TORNILLO FIJACION CERRADURA VITE SCREW	SCHRAUBE VIS	12	

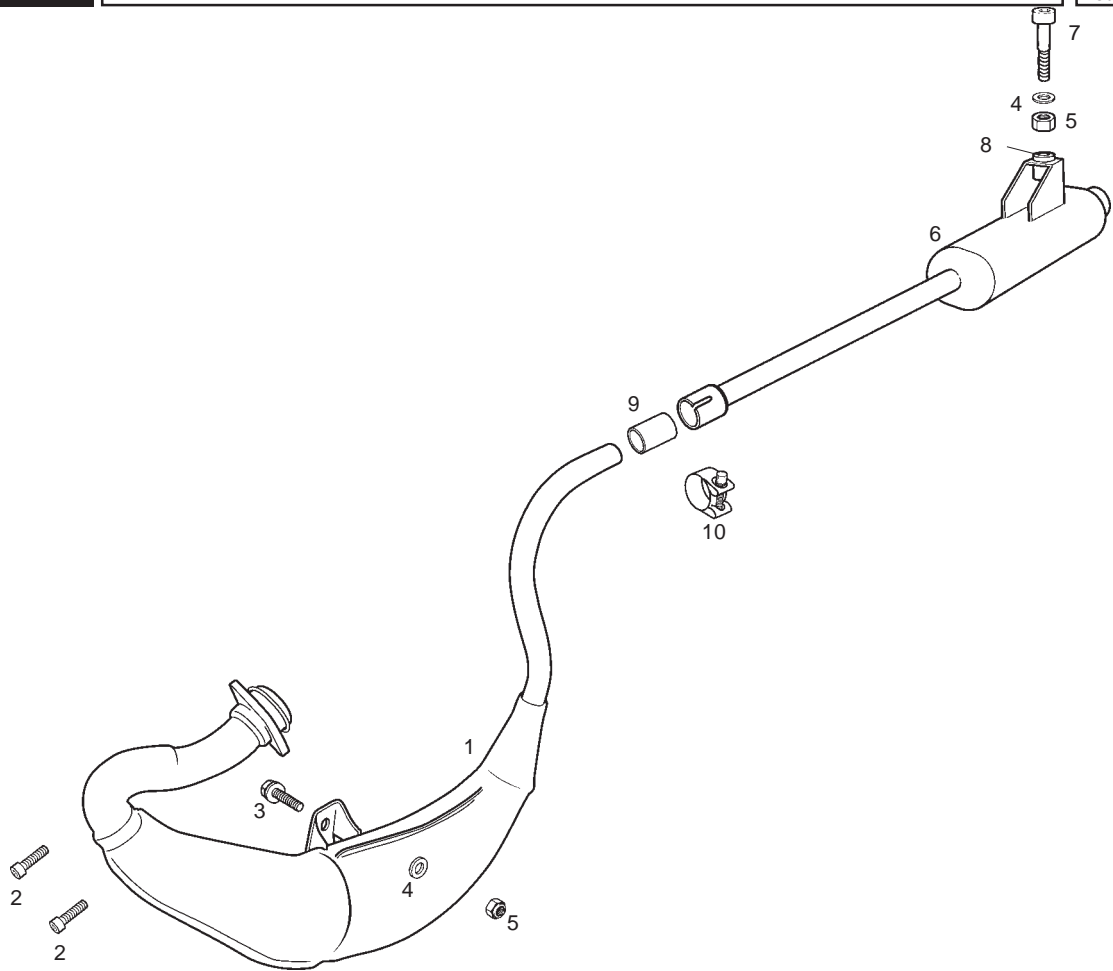


Fig.	Ver.	COD. KOD.	DESCRIPCIÓN DENOMINAZIONE NAME	BEZEICHUNG DESIGNATION	MOD.	NOTAS NOTES NOTA MITSCHRIFT NOTES
01A		00H03448601	TUBO ESCAPE TUBO SCAPPAMENTO EXHAUST PIPE	AUSPUFFTOPF POT ECHAPPEMENT	12	
02A		00002062011	TORNILLO 6M100X20 VITE SCREW	SCHRAUBE VIS	12	
03A		00006082000	TORNILLO EX. C/BRIDA 8M125X20 VITE SCREW	SCHRAUBE VIS	12	
04A		00402080001	ARANDELA D8 RONDELLA WASHER	U.SCHEIBE RONDELLE	12	
05A		00262080022	TUERCA 8M125 DADO NUT	MUTTER ECROU	12	
06A		00H03430411	SORDINA SUBCOMP. SORDINA EXHAUST TANK	SCHALLDAMPFER SILENCIEUX DIECHAPPEMENT	12	
07A		00000004845	TORNILLO C/ALLEN 8M125X45 VITE SCREW	SCHRAUBE VIS	12	
08A		00H02201731	SILENTBLOCK SORDINA SILENTBLOCK SILENTBLOC	SILENTBLOCK SILENTBLOC	12	
09A		00H03405321	JUNTA ESCAPE-SORDINA GUARNIZIONE GASKET	DICHTUNG JOINT	12	
10A		00H03406061	ABRAZADERA FIJACION ESCAPE FASCETTA CLAMP	SHELLE COLLIER	12	

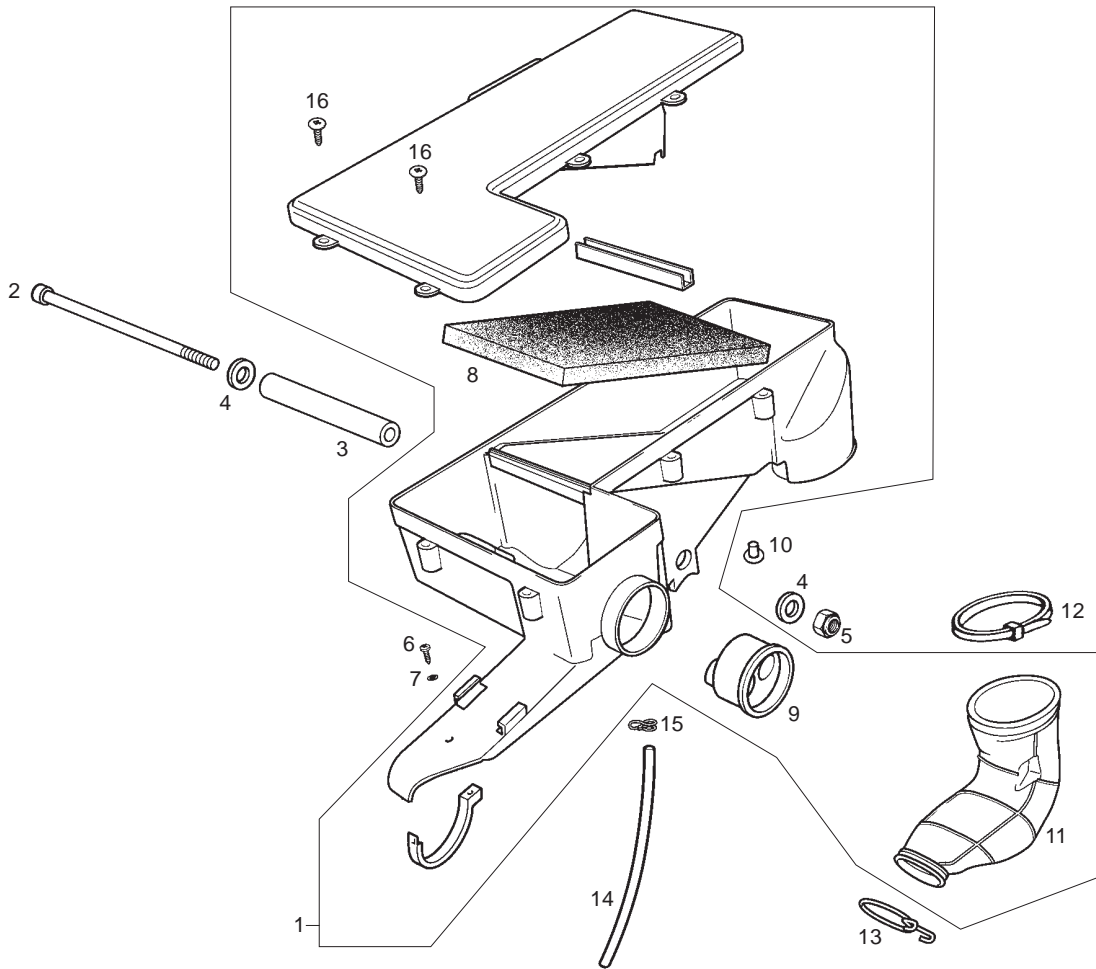


Fig.	Ver.	COD. KOD.	DESCRIPCIÓN DENOMINAZIONE NAME	BEZEICHUNG DESIGNATION	MOD.	NOTAS NOTES NOTA MITSCHRIFT NOTES
01A		00H01810541	CAJA FILTRO CASSA FILTRO AIR FILTER BOX	FILTERKASTEN ENSEMBLE BOITE FILTRE	12	
02A		00H06301171	TORNILLO FIJ. SUP. SUBCHASIS POS. VITE SCREW	SCHRAUBE VIS	12	
03A		00H00500251	TUBO SEPARADOR CAJA FILTRO DISTANZIALE DISTANCE BUSH	TRENNSTÜCK ENTRETOISE DE ROULEMENT	12	
04A		00G00803101	ARANDELA.FIJACION RONDELLA WASHER	U.SCHEIBE RONDELLE	12	
05A		00023108000	TUERCA AUTOBLOCANTE 8M125 DADO NUT	MUTTER ECROU	12	
06A		00011941300	TORNILLO AUTOROSCANTE 4,5X13 VITE SCREW	SCHRAUBE VIS	12	
07A		00031105000	ARANDELA PLANA D5 RONDELLA WASHER	U.SCHEIBE RONDELLE	12	
08A		00H03208251	ESPUMA FILTRANTE ESPANSO FILTRO ARIA AIR FILTER MESH	LUFTFILTERSCHAUM FILTRE AIR	12	
09A		00H01800621	DIAFRAGMA ENTRADA AIRE DIAFRAGMMA DIAPHRAGM	DIAPHRAGMA DIAPFRAGME	12	
10A		00H06400101	TAPON AIRE SECUNDARIO TAPPO CAP	KAPPE BOUCHON	12	
11A		00H03209261	MANGUITO ADMISION TUBO AMMISSIONE AIR INTAKE HOSE	EINLASSROHR TUYAU D'ADMISSION	12	

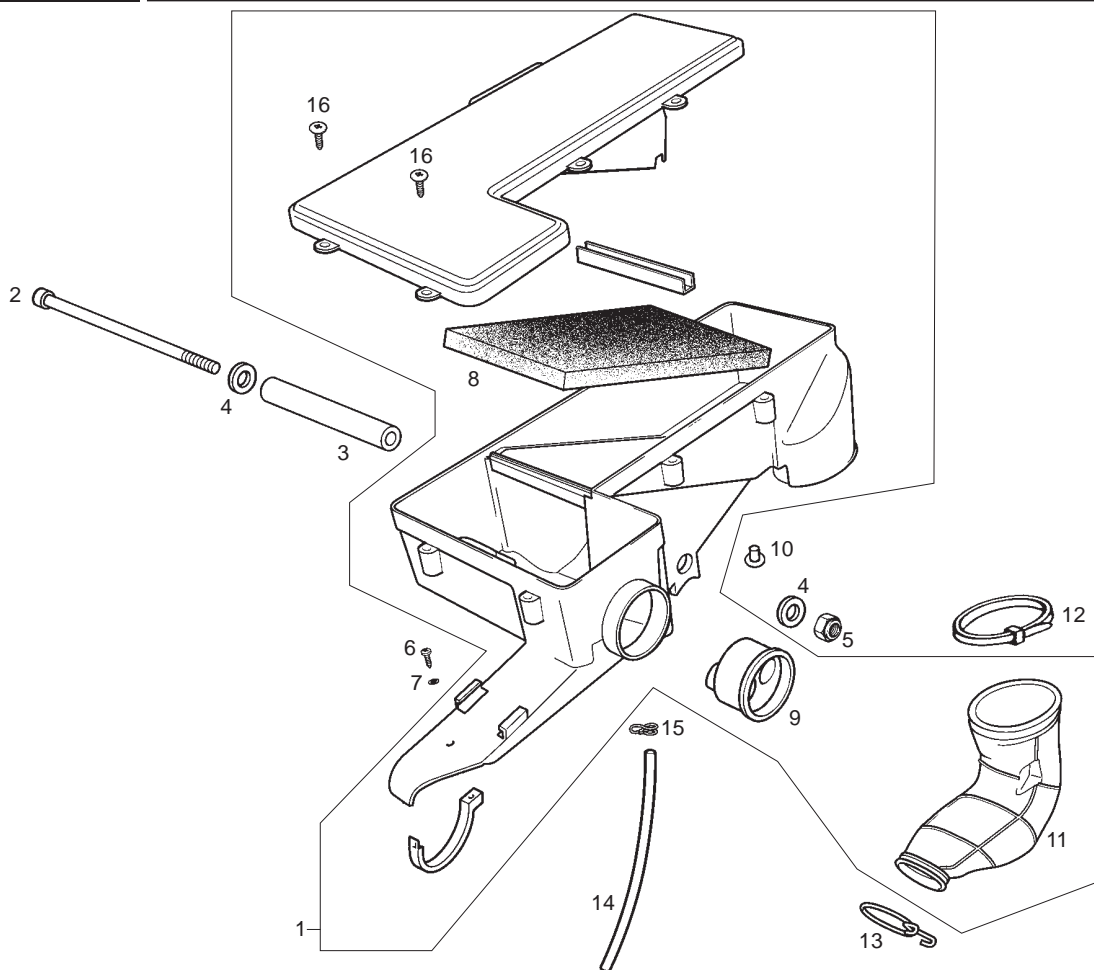


Fig.	Ver.	COD. KOD.	DESCRIPCIÓN DENOMINAZIONE NAME	BEZEICHNUNG DESIGNATION	MOD.	NOTAS NOTES NOTA MITSCHRIFT NOTES
12A		00F00900531	BRIDA UNECABLES FLANGIA NERA UNIONE CAVI SCO. BLACK CABLE TIE	KABELBINDER BRIDE N. CONNEX.-CABLES S-EN. BL	12	
13A		00G03204272	MUELLE TUBO ADMISION-CARBURADOR MOLLA SPRING	FEDER RESSORT	12	
14A		00H03702461	TUBO DRENAJE ACEITE CAJA FILTRO TUBO PIPE	ROHR TUYAU	12	
15A		00H03700131	ABRAZADERA ELASTICA 8,8-9,3 FASCETTA CLAMP	SHELLE COLLIER	12	
16A		00011031801	TORNILLO AUTOROSCANTE 3,6X18 VITE SCREW	SCHRAUBE VIS	12	

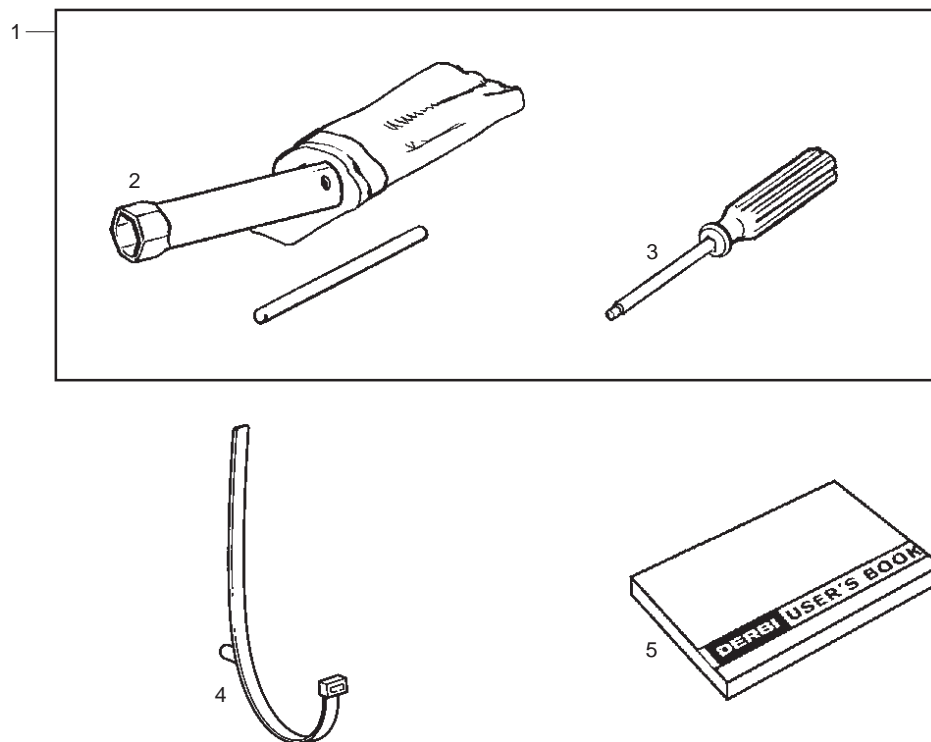


Fig.	Ver.	COD. KOD.	DESCRIPCIÓN DENOMINAZIONE NAME	BEZEICHNUNG DESIGNATION	MOD.	NOTAS NOTES NOTA MITSCHRIFT NOTES
01A		00H05105561	CTO. BOLSA HERRAMIENTAS SACCO FERRI TOOL KIT	WERKZEUGSATZ ENSEMBLE SAC A OUTILS	12	
02A		00H05102011	LLAVE BUJIA CHIAVE CANDELA SPARK PLUG SPANNER	ZUENDKERZENSCHLUESSEL CLE A BOUGIES	12	
03A		00005551290	DESTORNILLADOR CACCIAVITE SCREWDRIVER	SCHRAUBENZIEHER TOURNEVIS	12	
04A		00H06001011	BRIDA FIJACION BOLSA HERRAMIENTAS FLANGIA BLACK CABLE TIE	KABELBINDER COLLIER	12	
05A		00H05164121	MANUAL INSTRUCCIONES USUARIO LIBRETTI DI ISTRUZIONI USER'S BOOK	BEDIENUNGSANLEITUNG MANUEL D'INSTRUCTIONS	12	

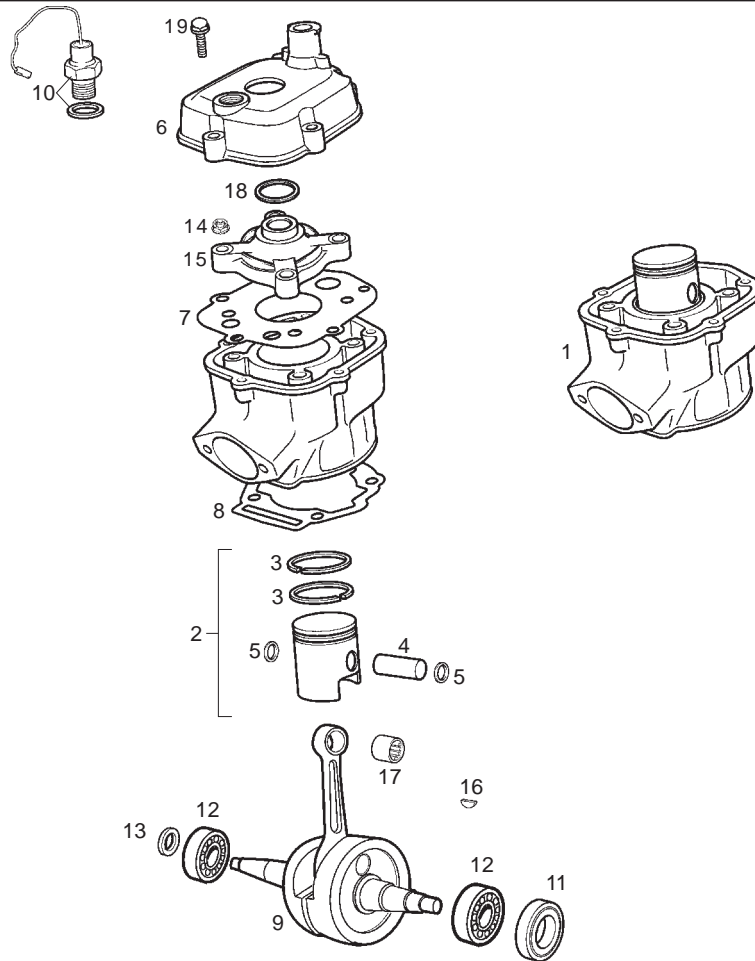


Fig.	Ver.	COD. KOD.	DESCRIPCIÓN DENOMINAZIONE NAME	BEZEICHUNG DESIGNATION	MOD.	NOTAS NOTES NOTA MITSCHRIFT NOTES
01A		847175	CTO CILINDRO-PISTON COMP.CILINDRO PISTONE CYLINDER PISTON ASSEMBLY	ZYLINDER UND KOLBEN CYLINDRE ET PISTON COMPLET	12	
02A		8472625001	CTO PISTON (A) PISTONE (A) PISTON (A)	KOLBEN KOMPL.(A) PISTON-COMPLET (A)	12	
02B		8472625002	CTO PISTON (B) PISTONE (B) PISTON (B)	KOLBEN KOMPL. (B) PISTON-COMPLET (B)	12	
02C		8472625003	CTO PISTON (C) PISTONE (C) PISTON (C)	KOLBEN KOMPL. (C) PISTON-COMPLET (C)	12	
02D		8472625004	CTO PISTON (D) PISTONE (D) PISTON (D)	KOLBEN KOMPL. (D) PISTON-COMPLET (D)	12	
03A		847006	ARO PISTON R-SEGMENTO PISTONE PISTON RING	KOLBENDICHTRING SEGMENT DE PISTON	12	
04A		847012	BULON PISTON SPINOTTO PISTONE PISTON PIN	KOLBENBOLZEN AXE PISTON	12	
05A		847178	ANILLO BULON R-SEGMENTO SPINOTTO CIRCLIP, PISTON PIN	SICHERUNGSRING CLIPS AXE PISTON	12	
06A		CM151901	TAPA CULATIN COPERCHIO TESTA CYLINDER HEAD COVER	ZYLINDERKOPF DECKEL COUVERCLE CULASSE	12	
07A		847009	JUNTA CULATA CILINDRO GUARNIZIONE TESTA GASKET CYLINDER HEAD	ZYLINDERKOPFDICHTUNG JOINT DE CULASSE	12	
08A		847014	JUNTA CILINDRO GUARNIZIONE CILINDRO GASKET, CYLINDER	ZYLINDERPUBDICHTUNG JOINT DE CYLINDRE	12	

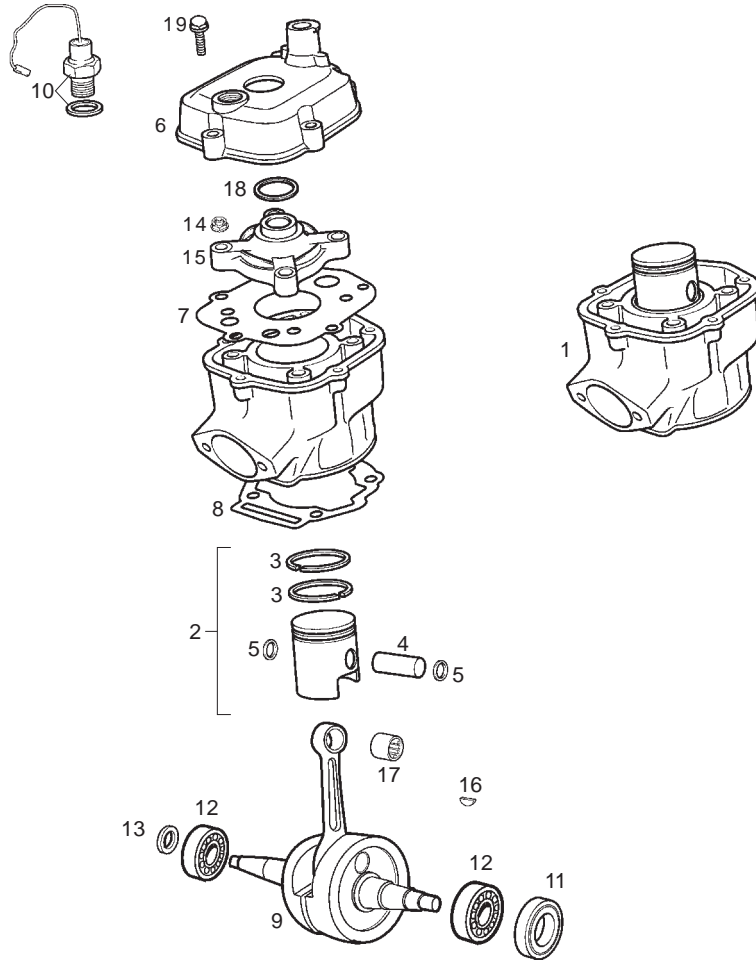


Fig.	Ver.	COD. KOD.	DESCRIPCIÓN DENOMINAZIONE NAME	BEZEICHNUNG DESIGNATION	MOD.	NOTAS NOTES NOTA MITSCHRIFT NOTES
09A		847026	CTO CIGÜEÑAL-BIELA ALBERO MOTORE CRANK SHAFT ROD	KURBELWELLE VILEBREQUIN COMPLET	12	
10A		847010	TERMOCONTACTO TERMOCONTATTO TERMOCONTACT	THERMOKONTAKT TERMOCONTATTO	12	
11A		847020	RETEN CIGUEÑAL GIUNTO TENUTA SEAL	DICHTRING JOINT	12	
12A		847172	COJINETE CUSCINETTO BEARING	LAGER COUSSINET	12	
13A		847020	RETEN CIGUEÑAL GIUNTO TENUTA SEAL	DICHTRING JOINT	12	
14A		436947	TUERCA EXAGONAL C/BRIDA 7M100 DADO NUT	MUTTER ECROU	12	
15A		847008	CULATIN TESTA CYLINDER HEAD	ZYLINDERKOPF CULASSE	12	
16A		847215	CHAVETA VOLANTE MAGNETICO SPINA KEY	KEIL CLAVETTE	12	
17A		847529	JAULA PIE BIELA GABBIA PIEDE BIELLA BEARING, PISTON PIN	NADELLAGER CAGE A AIGUILLE DE PIED DE	12	
18A		847007	JUNTA TORICA CULATIN GUARNIZIONE TESTA GASKET CYLINDER HEAD	ZYLINDERKOPFDICHTUNG JOINT DE CULASSE	12	
19A		CM149804	TORNILLO FIJACION TAPA 6X25 VITE SCREW	SCHRAUBE VIS	12	



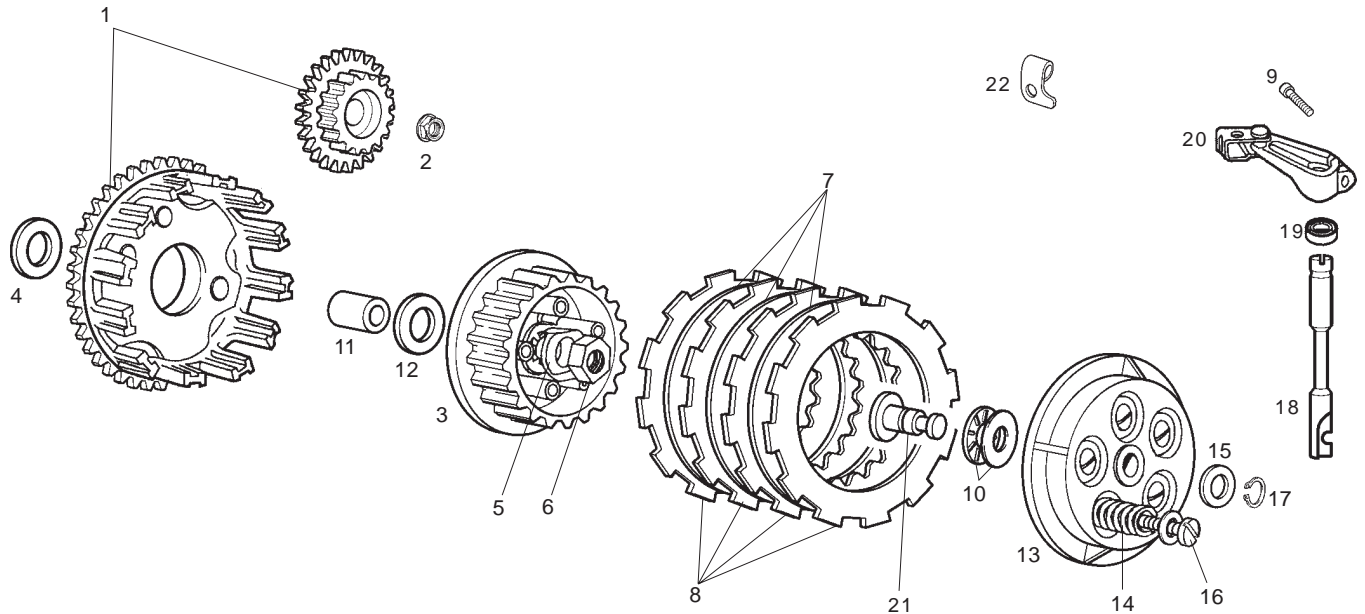


Fig.	Ver.	COD. KOD.	DESCRIPCIÓN DENOMINAZIONE NAME	BEZEICHNUNG DESIGNATION	MOD.	NOTAS NOTES NOTA MITSCHRIFT NOTES
01A		847323	CTO RUEDA AMORT. EMBRAGUE R-RUOTA FRIZIONE CLUTCH HOUSING AND DAMPER	KUPPLUNGSRAD CLOCHE EMBRAYAGE AVEC PIGNO	12	
02A		847217	TUERCA C/BASE 10M100 DADO NUT	MUTTER ECROU	12	
03A		847045	CAMPANA CONDUCCIDA CAMPANA GUIDATA CLUTCH HUB.	GLOCKE TAMBOUR EMBRAYAGE	12	
04A		847218	ARANDELA PROT. INT. BUJE EMBRAGUE RONDELLA WASHER	SCHEIBE RONDELLE	12	
05A		847220	PRECINTO TUERCA EMBRAGUE PIASTRINA DADO FRIZIONE WASHER, RETAINING	SICHERUNG FREIN DIECROU DIEMBAYAGE	12	
06A		847221	TUERCA EMBRAGUE DADO NUT	MUTTER ECROU	12	
07A		847043	DISCO CONDUCCIDO DISCO GUIDATO DRIVEN CLUTCH PLATE	SCHEIBE DISQUE EMBRAYAGE LISSE	12	
08A		847044	SCTO.DISCO CONDUCTOR SUBDISCO GUIDA CLUTCH PLATE	KUPPLUNGSRELAG DISQUE EMBRAYAGE GARNI	12	
09A		847179	TORNILLO 6M100X20 VITE SCREW	SCHRAUBE VIS	12	
10A		82835R	RODAMIENTO AXIAL CREMALLERA CUSCINETTO SFERE RADIALE CREMA BALL BEARING	LAGER ROULEMENT AXIAL	12	
11A		847040	CASQUILLO BUJE EMBRAGUE GHIERA BRONZINA FRIZIONE BUSHING	FUHRUNGSBUCHSE GABELSCHENK ENTRETOISE	12	

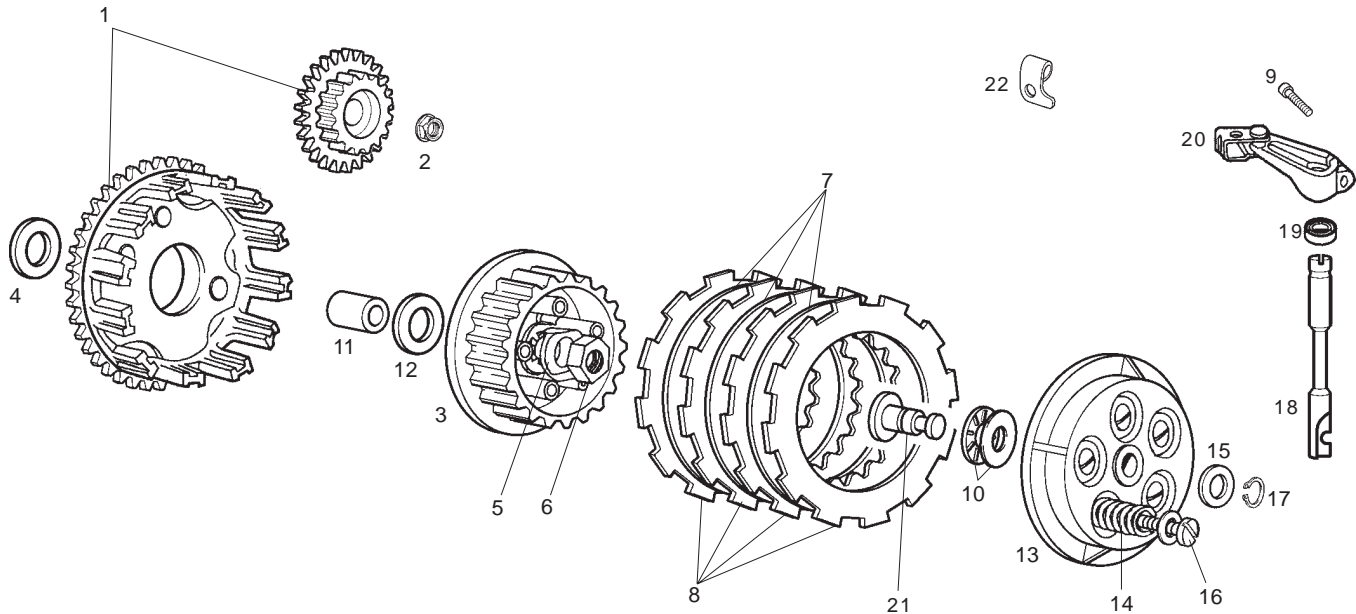


Fig.	Ver.	COD. KOD.	DESCRIPCIÓN DENOMINAZIONE NAME	BEZEICHNUNG DESIGNATION	MOD.	NOTAS NOTES NOTA MITSCHRIFT NOTES
12A		847042	ARANDELA ROZAMIENTO CAMPANA RONDELLA WASHER	SCHEIBE RONDELLE	12	
13A		847046	TAPA CIERRE EMBRAGUE COPERCHIO CHIUSURA FRIZIONE G. OUTER CLUTCH PLATE	KUPPLINGS-VERSCHLUSSDECKEL PLATEAU EXTERIEUR D,EMBRAYA	12	
14A		847047	MUELLE REGULACION EMBRAGUE MOLLA REGOLAZIONE FRIZIONE CLUTCH SPRING	STELLFEDER RESORT REGLAGE	12	
15A		847224	ARANDELA TOPE PIÑON INTERMEDIO RONDELLA WASHER	SCHEIBE RONDELLE	12	
16A		847048	SCTO. TORNILLO 5M80X35 VITE SCREW	SCHRAUBE VIS	12	
17A		847225	ANILLO SEGURIDAD ANELLO SICUREZZA CIRCLIP	SEEGERRING CIRCLIP	12	
18A		847083	EJE DESEMBRAGUE ASSE DISINNESCO FRIZIONE CLUTCH SHAFT	KUPPLUNGSACHSE AXE	12	
19A		847075	RETEN EJE MANDO GIUNTO TENUTA SEAL	DICHTRING JOINT	12	
20A		CM151201	PALANCA DESEMBRAGUE SUBLEVA DISINNESCO F CLUTCH LEVER	KUPPLUNGSHEBEL LEVIER EMBRAYAGE	12	
21A		847223	DESPLAZABLE EMBRAGUE ASSE FRIZIONE CLUTCH SHAFT	KUPPLUNGSACHSE AXE	12	
22A		847090	PLACA TENSOR CABLE EMBRAGUE PIASTRINA PLATE	PLATTE PLAQUE	12	

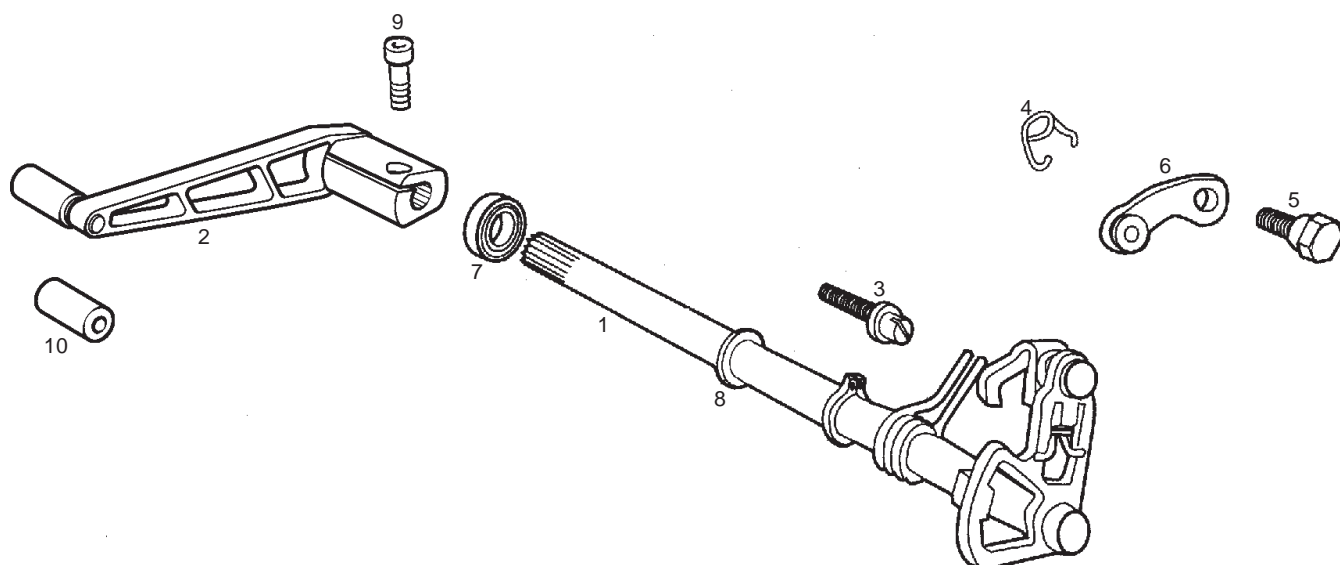


Fig.	Ver.	COD. KOD.	DESCRIPCIÓN DENOMINAZIONE NAME	BEZEICHUNG DESIGNATION	MOD.	NOTAS NOTES NOTA MITSCHRIFT NOTES
01A		847236	EJE SELECTOR SUBASSE SELETTORE S-ASSY. SELECTOR SHAFT	SCHALTACHSE S-ENSEMBLE AXE SELECTEUR	12	
02A		00H02706421	PALANCA CAMBIO LEVA AVVIAMENTO FENI KICKSTARTER LEVER	KICKSTARTER LEVIER DE KICK	12	
03A		847073	ESPARRAGO MUELLE SELECTOR BULLONE MOLLA SELETTORE SCREW, SELECTOR SPRING ADJ.	FEDERSTIFT AXE EXCENTRIQUE	12	
04A		847069	MUELLE FIJACION MARCHAS MOLLA FISSAGGIO MARCE GEAR FIXING SPARING	BEF.-FEDER RESSORT	12	
05A		847070	TORNILLO GUIA FIJACION MARCHAS VITE SCREW	SCHRAUBE VIS	12	
06A		847068	PALANCA FIJACION MARCHAS SUBLEVA FISSAGGIO MA LEVER FIXING GEARS	GANSCHALTHEEEL LEVIER FIXATION PIGNONS	12	
07A		847075	RETEN EJE MANDO RICHIAMO ASSE COMANDO SELETTOR OIL SEAL, SELECTOR SHAFT	SIMMERRING JOINT ANTI-FUITE	12	
08A		847228	ARANDELA SEGURO TAMBOR RONDELLA WASHER	SCHEIBE RONDELLE	12	
09A		00002062011	TORNILLO 6M100X20 VITE SCREW	SCHRAUBE VIS	12	
10A		00H02701271	PROTECTOR PALANCA PROTEZIONE PROTECTOR	SCHUTZ PROTECTION	12	

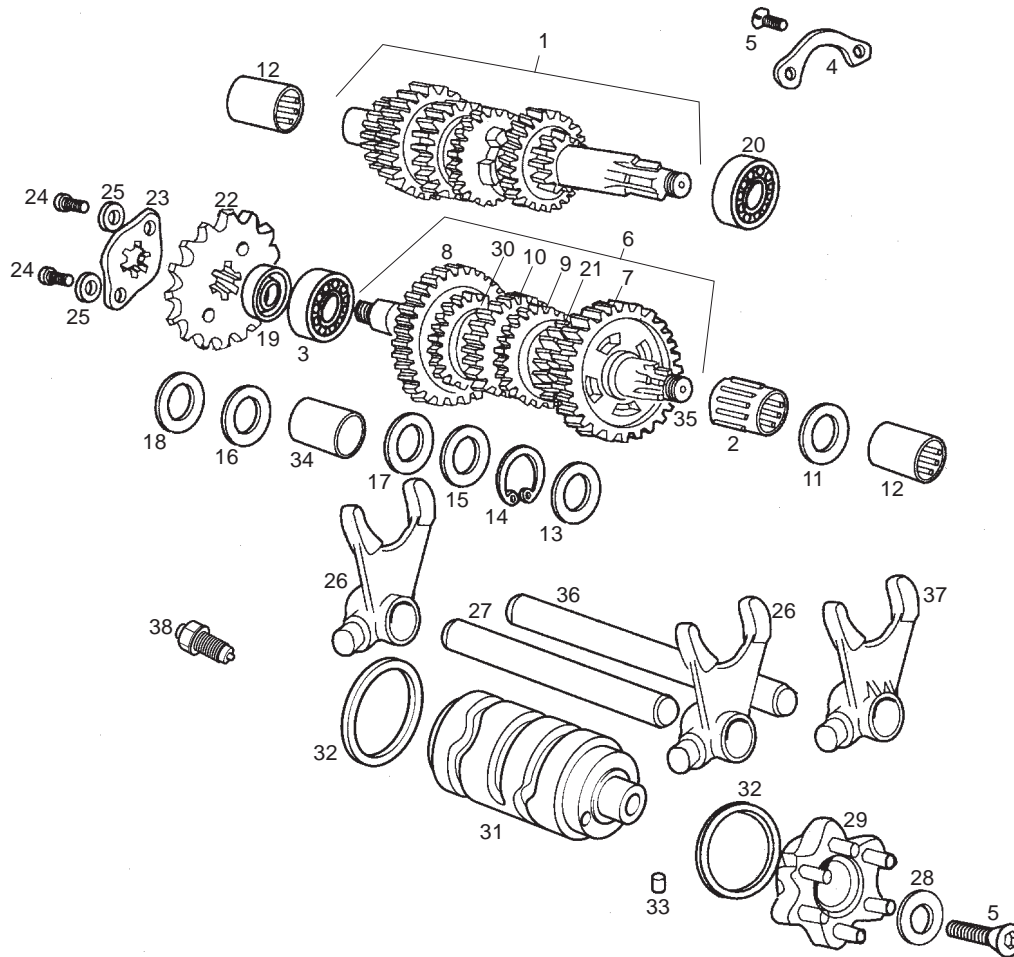


Fig.	Ver.	COD. KOD.	DESCRIPCIÓN DENOMINAZIONE NAME	BEZEICHNUNG DESIGNATION	MOD.	NOTAS NOTES NOTA MITSCHRIFT NOTES
01A		847027	CTO EJE PRIMARIO SUBASSE PRIMARIO DRIVE SHAFT.	PRIMARCHSE AXE PRIMAIRE	12	
02A		847544	CORONA AGUJAS PIÑON CORONA RULLINI PIGNONE NEEDLE BEARING	BADELLGER ROULEMENT AIGUILLES	12	
03A		847086	COJINETE CUSCINETTO BEARING	LAGER COUSSINET	12	
04A		847021	PRECINTO COJINETE EJE PRIMARIO PIASTRINA CUSCINETTO ASSE PRIM PLATE POSITION BALL BEARINGS	KUGELLEGERPRIMDRACHSE BUTEE DE ROULEMENT	12	
05A		847210	TORNILLO AV.ALL.5M80X10 VITE SCREW	SCHRAUBE VIS	12	
06A		847028	CTO. EJE SECUNDARIO ASSE SECONDARIO OUTPUT SHAFT	SEKUNDRACHSE AXE SECONDAIRE MONTE COMPLE	12	
07A		847153	PIÑON SECUNDARIO I Z-34 PIGNONE GEAR	RITZEL PIGNON	12	
08A		847157	PIÑON SECUNDARIO II Z-30 PIGNONE GEAR	RITZEL PIGNON	12	
09A		847155	PIÑON SECUNDARIO III Z-27 PIGNONE GEAR	RITZEL PIGNON	12	
10A		847156	PIÑON SECUNDARIO IV Z-24 PIGNONE GEAR	RITZEL PIGNON	12	
11A		847549	ARANDELA REGLAJE EJE SECUNDARIO RONDELLA WASHER	SCHEIBE RONDELLE	12	

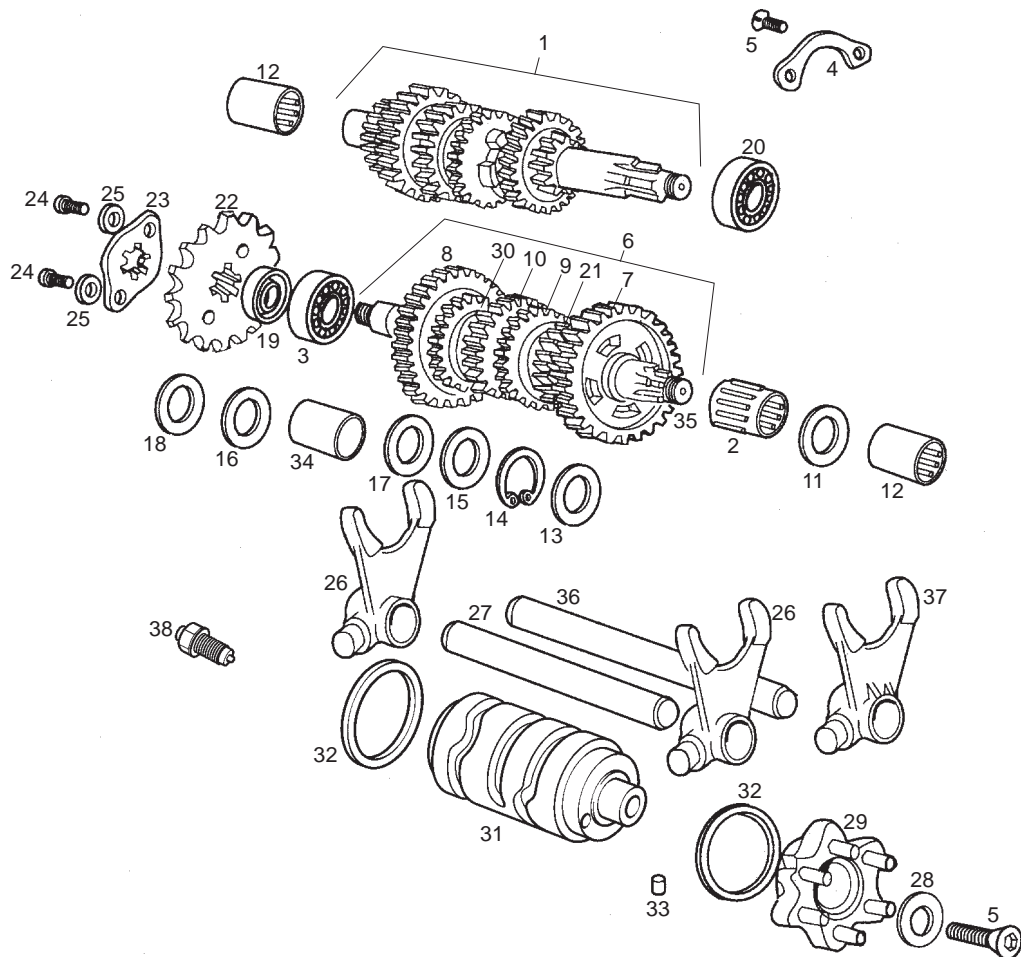


Fig.	Ver.	COD. KOD.	DESCRIPCIÓN DENOMINAZIONE NAME	BEZEICHUNG DESIGNATION	MOD.	NOTAS NOTES NOTA MITSCHRIFT NOTES
12A		847211	CASQUILLO AGUJAS GHIERA RULLINI NEEDLE BEARING	NADELLGER CAGE A AIGUILLES	12	
13A		847550	ARANDELA ROZAMTO.PIÑON SECUND RONDELLA WASHER	SCHEIBE RONDELLE	12	
14A		847542	ANILLO SEGURIDAD ANELLO SICUREZZA CIRCLIP	SEEGERRING CIRCLIP	12	
15A		847548	ARANDELA RONDELLA WASHER	SCHEIBE RONDELLE	12	
16A		847541	ARANDELA RONDELLA WASHER	SCHEIBE RONDELLE	12	
17A		847546	ARANDELA RONDELLA WASHER	SCHEIBE RONDELLE	12	
18A		847545	ARANDELA RONDELLA WASHER	SCHEIBE RONDELLE	12	
19A		847019	RETEN PIÑON SALIDA CAMBIO GIUNTO TENUTA SEAL	DICHRING JOINT	12	
20A		847209	COJINETE CUSCINETTO BEARING	LAGER COUSSINET	12	
21A		847154	PIÑON SECUNDARIO V Z-23 PIGNONE GEAR	RITZEL PIGNON	12	
22A		00H02813371	PIÑON SALIDA CAMBIO Z-11 PIGNONE GEAR	RITZEL PIGNON	12	

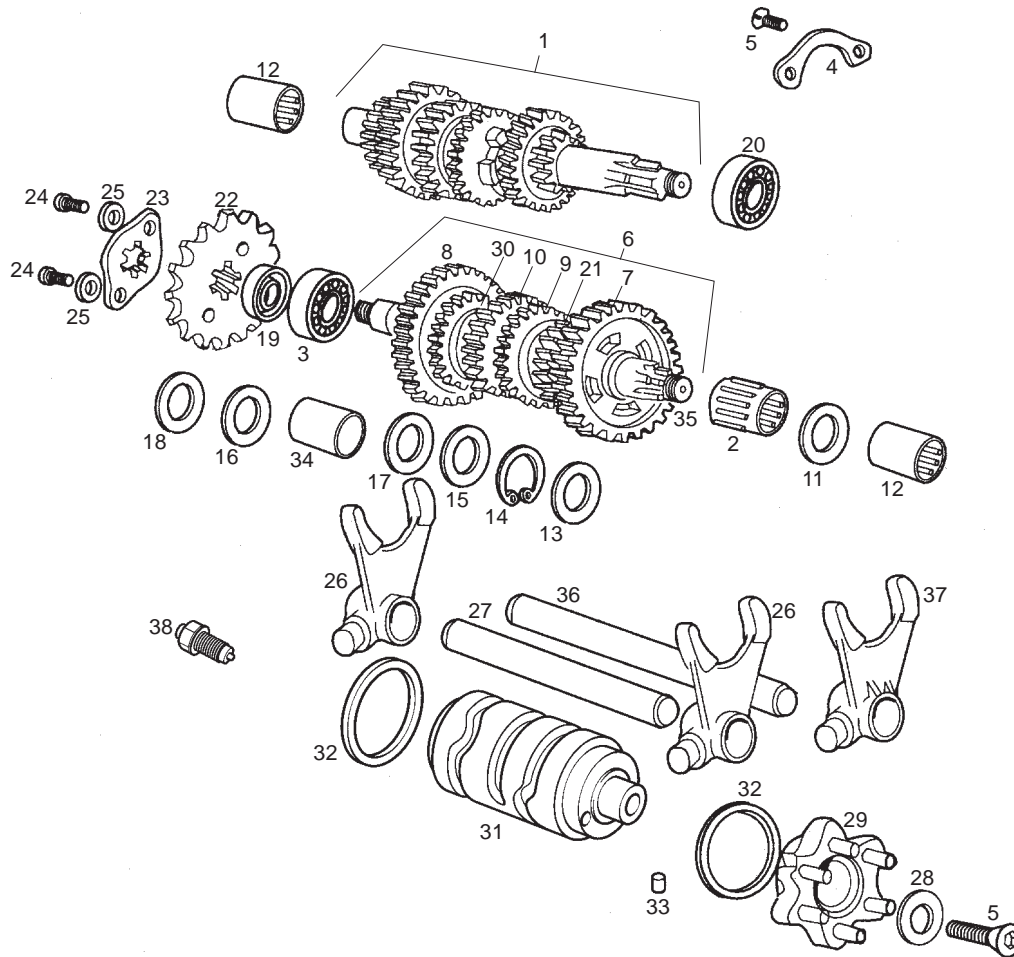


Fig.	Ver.	COD. KOD.	DESCRIPCIÓN DENOMINAZIONE NAME	BEZEICHUNG DESIGNATION	MOD.	NOTAS NOTES NOTA MITSCHRIFT NOTES
23A		00H02800421	PRECINTO PIÑON SALIDA CAMBIO PIASTRINA PIGNONE USCITA CAMBI LOCKWASHER, COUNTERSHAFT SPROK	HALTER RONDELLE DE SECURITE SBV.	12	
24A		00002041050	TORNILLO ALLEN 4M70X10 VITE SCREW	SCHRAUBE VIS	12	
25A		00000033040	ARANDELA MUELLE D4 RONDELLA WASHER	SCHEIBE RONDELLE	12	
26A		847032	HORQUILLA SECUNDARIA FORCELLA SECONDARIA FORK OUTPUT	SHALTGABEL FOURCHETTE	12	
27A		847030	EJE HORQUILLA SECUNDARIA ASSE FORCELLA SECONDARIA SECONDARY FORK SHAFT	GABEL SEKUNDARACHSE AXE	12	
28A		847214	ARANDELA PIÑ.CONTR/MAND.TAMBOR RONDELLA WASHER	SCHEIBE RONDELLE	12	
29A		847038	CABEZA MANDO TAMBOR. TESTA COMANDO TAMBORO DRUM HEAD	ESTEUERKOPF TETE TAMBOR SELECTEUR	12	
30A		847158	PIÑON SECUNDARIO VI Z-22 PIGNONE GEAR	RITZEL PIGNON	12	
31A		847034	TAMBOR DISTRIBUIDOR TAMBORO DISTRIBUTORE SHIFT DRUM	VERTEILERTROMMEL BARILLET	12	
32A		847036	ARANDELA TAMBOR DISTRIBUIDOR RONDELLA WASHER	SCHEIBE RONDELLE	12	
33A		847213	RODILLO 4X6 RULLO ROLLER	WALZE FUR SCHA LTUNG GALETS	12	

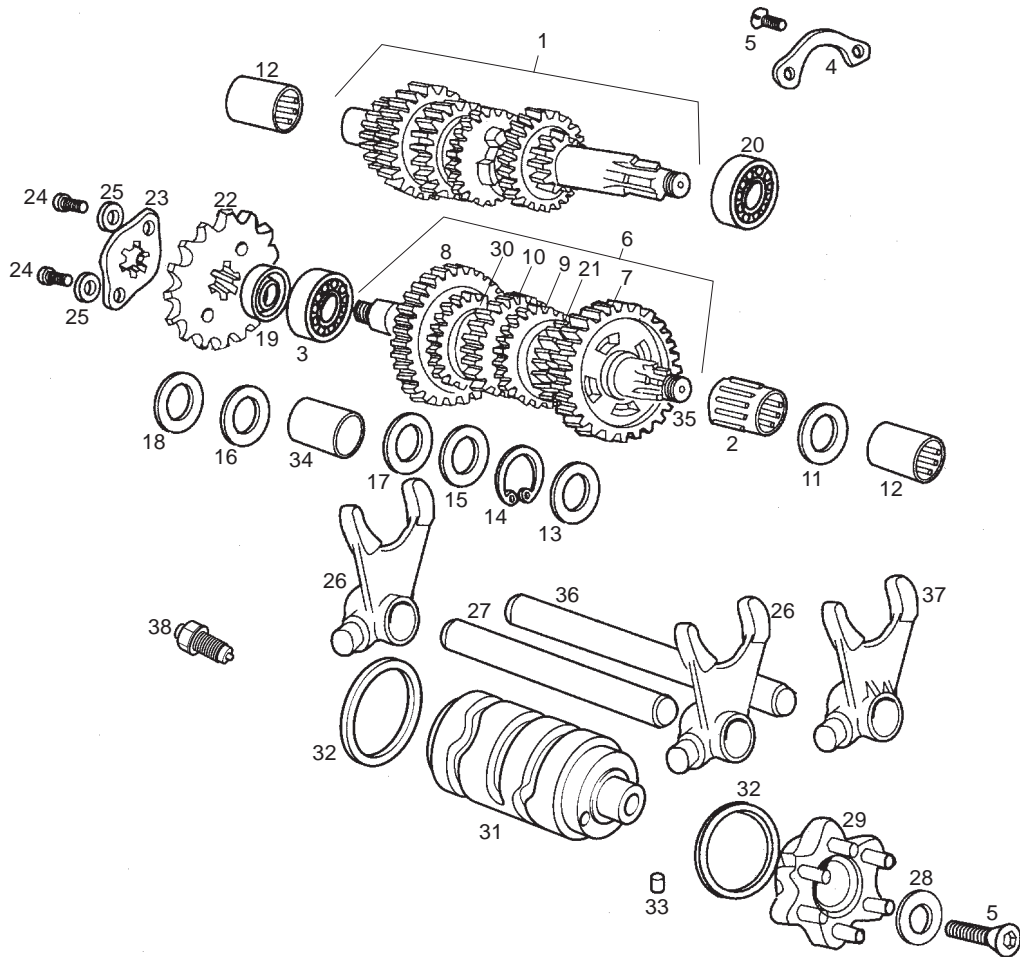


Fig.	Ver.	COD. KOD.	DESCRIPCIÓN DENOMINAZIONE NAME	BEZEICHUNG DESIGNATION	MOD.	NOTAS NOTES NOTA MITSCHRIFT NOTES
34A		847547	CASQUILLO PIÑÓN SECUNDARIO II GHIERA PIGNONE SECONDARIO .II. BUSHING	FUHRUNGSBUCHSE GABELSCHENK ENTRETOISE	12	
35A		847159	SCTO EJE SECUNDARIO ASSE SECONDARIO OUTPUT SHAFT	SEKUNDARACHSE AXE SECONDAIRE MONTE COMPLE	12	
36A		847029	EJE HORQUILLA PRIMARIA ASSE FORCELLA PRIMARIA PRIMARY FORK SHAFT	GABEL PRIMARACHSE AXE	12	
37A		847031	HORQUILLA PRIMARIA V-VI. FORCELLA PRIMARIA FORK OUTPUT	SHALTGABEL FOURCHETTE	12	
38A		847018	CONTACTO INTERR. PUNTO MUERTO INTERRUTTORE SWITCH	SCHALTER INTERRUPTEUR	12	

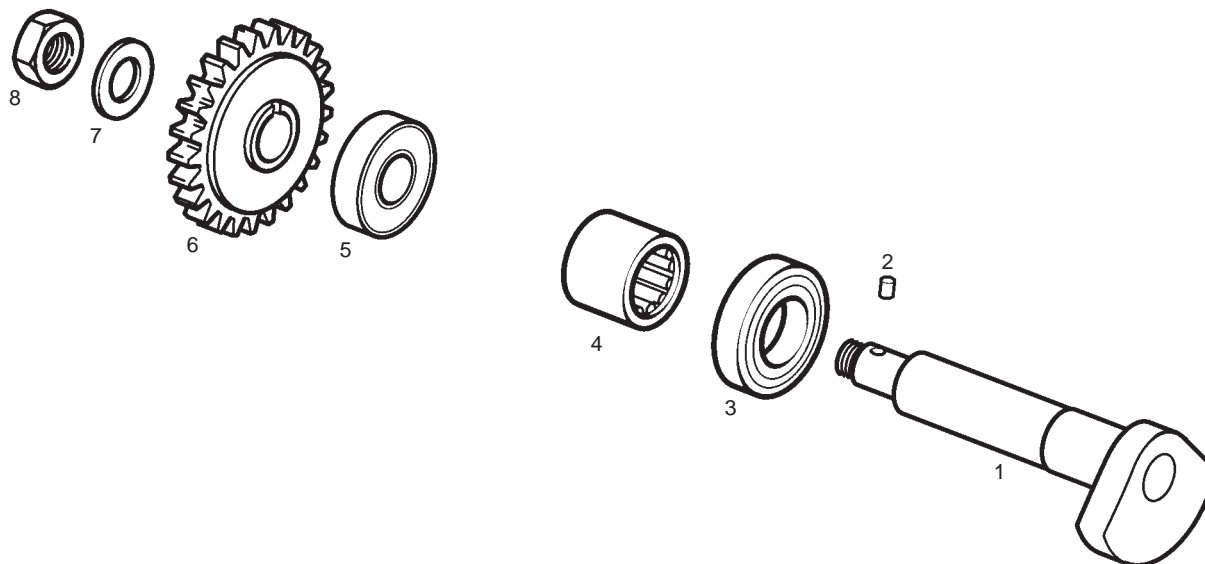


Fig.	Ver.	COD. KOD.	DESCRIPCIÓN DENOMINAZIONE NAME	BEZEICHNUNG DESIGNATION	MOD.	NOTAS NOTES NOTA MITSCHRIFT NOTES
01A		847050	EJE CONTRAPESO CONTRAPPESO COUNTERPOISE	GEGENGEWICHT CONTREPOIDS	12	
02A		847213	RODILLO 4X6 SPINOTTO PIN	BUCHSE PIED DE CENTRAGE	12	
03A		847017	RETEN EJE CONTRAPESO ANELLO TENUTA SEAL	DICHTRING JOINT	12	
04A		847013	COJINETE AGUJAS CUSCINETTO BEARING	LAGER COUSSINET	12	
05A		847016	COJINETE CUSCINETTO BEARING	LAGER COUSSINET	12	
06A		847049	PIÑÓN EJE CONTRAPESO PIGNONE GEAR	ZAHNRAD PIGNON	12	
07A		847276	ARANDELA FIJACION PIÑÓN RONDELLA WASHER	SCHEIBE RONDELLE	12	
08A		847275	TUERCA M10X1X6 DADO NUT	MUTTER ECROU	12	



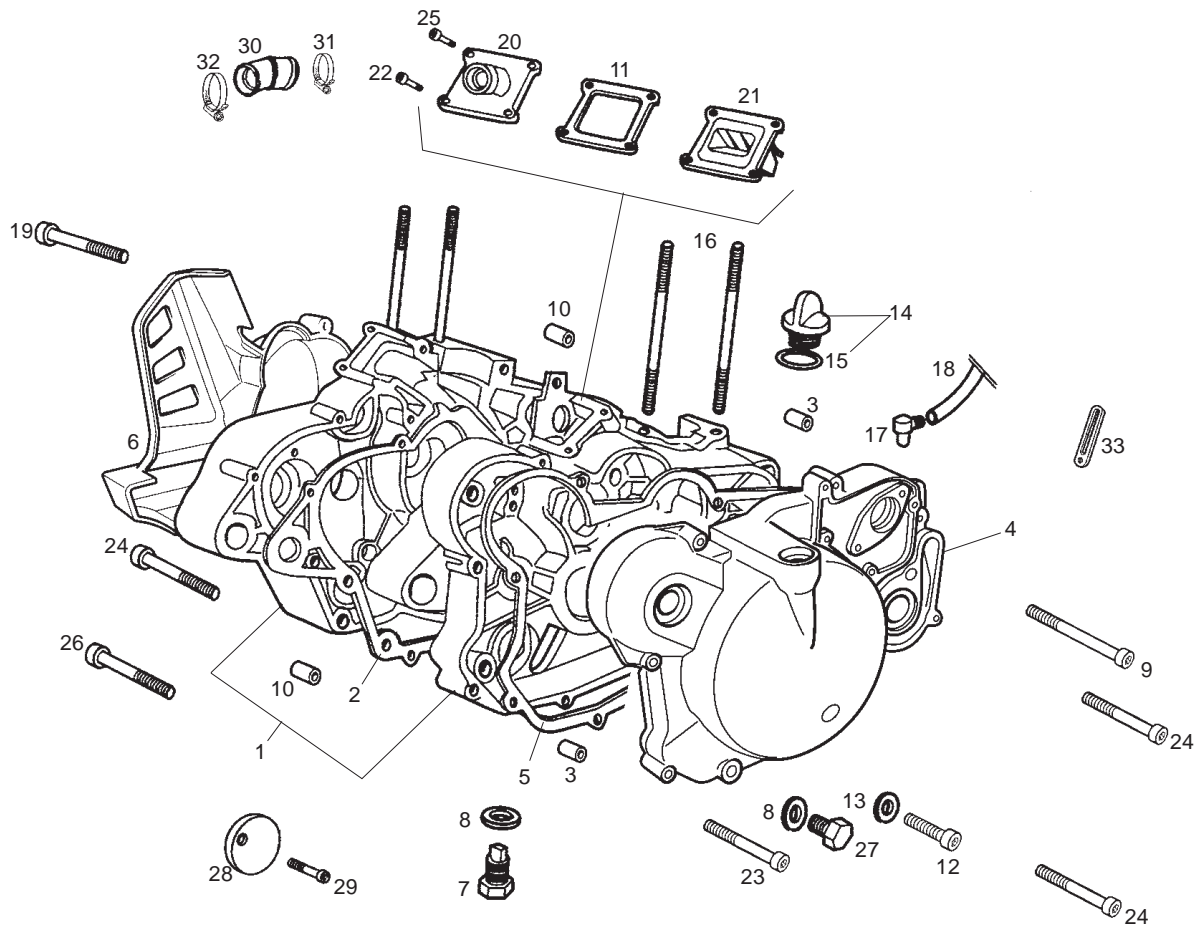


Fig.	Ver.	COD. KOD.	DESCRIPCIÓN DENOMINAZIONE NAME	BEZEICHUNG DESIGNATION	MOD.	NOTAS NOTES NOTA MITSCHRIFT NOTES
01A		CM1503035	CTO. CARTERS CARTERS CRANCKASE ASSEMBLY	MOTORGEHAUSE ENSEMBLE DES CARTERS MOTEUR	12	
02A		848501	JUNTA CARTERS GUARNIZIONE CARTERS GASKET, CHANCKASE	GEHAUSEDICHTUNG JOINT DE CARTERS CENTRAUX	12	
03A		847241	PASADOR UNION CARTER CHIAVISTELLO SOSTEGNO SPIRALE FORK PIN	STIFT GOUDILLE	12	
04A		CM150704	TAPA CARTER DERECHA SUBC.COP.CARTER DES. CRANCKASE COVER	KUPPLINGSDECKEL CARTER DIEMBRYAGE	12	
05A		847084	JUNTA TAPA CARTER DERECHA GUARNIZIONE COPERCHIO CARTER D GASKET RIGHT-HAND COVER	DICHTUNG JOINT DE CARTER EMBRAYAGE	12	
06A		00H03007241	TAPA CARTER IZQUIERDA COPERCHIO CARTER SINISTRO CRANCKASE COVER LEFT	GEHD US ED EDKELLINKS COUVERCLE CARTER GAUCHE	12	
07A		847237	CTO TORNILLO VACIADO ACEITE VITE SCREW	SCHRAUBE VIS	12	
08A		847238	ARANDELA VACIADO ACEITE RONDELLA WASHER	SCHEIBE RONDELLE	12	
09A		CM149801	TORNILLO C/ALLEN.6M100X55 VITE SCREW	SCHRAUBE VIS	12	
10A		847023	SEPARADOR CARTER GHIERA PIN	BUCHSE DOUILLE	12	
11A		847091	JUNTA SOPORTE VALVULA ADMISION GUARNIZIONE SOSTEGNO VALVOLA A INLET VALVE GASKET	DICHTUNG VENTILHALTER JOINT BTE.CLAPETS	12	

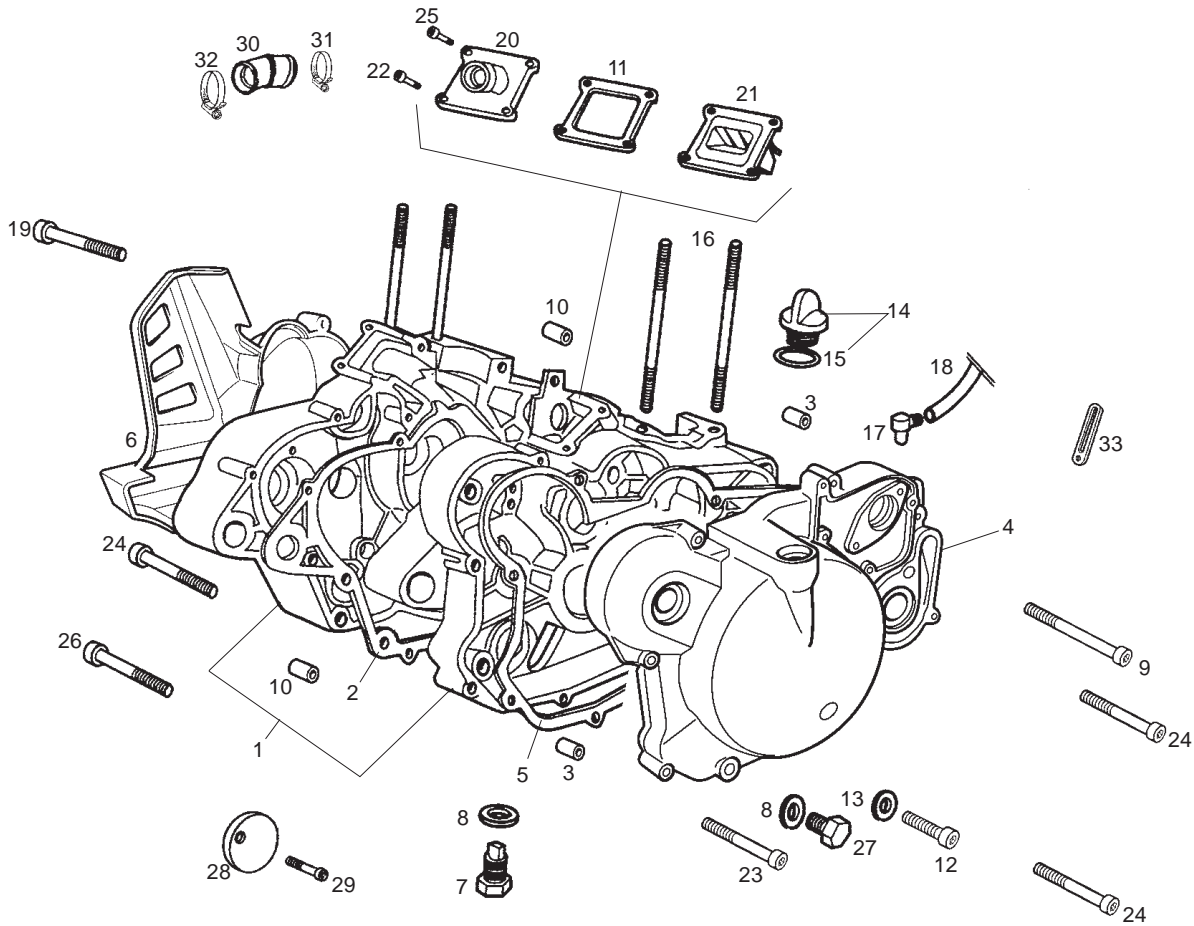


Fig.	Ver.	COD. KOD.	DESCRIPCIÓN DENOMINAZIONE NAME	BEZEICHUNG DESIGNATION	MOD.	NOTAS NOTES NOTA MITSCHRIFT NOTES
12A		847240	TORNILLO C/ALLEN.6M100X10 VITE SCREW	SCHRAUBE VIS	12	
13A		847239	ARANDELA NIVEL ACEITE RONDELLA WASHER	SCHEIBE RONDELLE	12	
14A		847087	TORNILLO LLENADO ACEITE VITE SCREW	SCHRAUBE VIS	12	
15A		847180	ANILLO TORICO TAPON NIVEL ACEITE ANELLO TORICO SEAL	O-RING JOINT DE JAUGE D,HUILE	12	
16A		847015	ESPARRAGO CILINDRO MOTOR BULLONE FISSAGGIO CILINDRO STUD CYLINDER	STEBBOLZEN GOUJON DE FIXE CYLINDRE	12	
17A		847024	RACORD SALIDA GASES RACCORD USCITA GAS CRANKCASE VENT RACCORD	AUSGANGSSTUTZEN RACCORD DE SORTIE GAZ CARTE	12	
18A		00H03711461	TUBO GASES TUBO RESPIRAZIONE SERBATOIO VENT PIPE OIL TANK	ENTLUEFTUNGSSCHLAUCH TUYAU RESPIRATION RESERVOIR	12	
19A		00G03900821	TORNILLO FIJACION 6X30 VITE SCREW	SCHRAUBE VIS	12	
20A		847093	BOQUILLA CARBURANTE ATTACCO CARBURATORE INTAKE MANIFOLD,	ANSAUGSTUTZEN ENSEMB.PIPE DIADMISSION	12	
21A		847092	CTO CAJA LAMINAS ADMISION CASSA LAMINA AMMISSI INLET BOX	MEMBRANE BOITE A CLAPETS	12	
22A		CM149804	TORNILLO C/ALLEN.6M100X25 VITE SCREW	SCHRAUBE VIS	12	



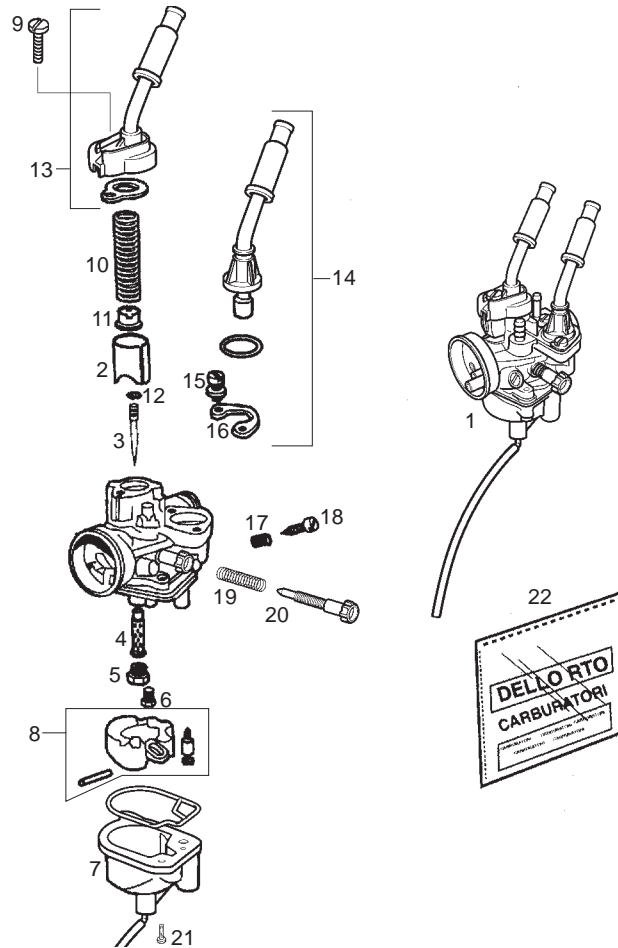


Fig.	Ver.	COD. KOD.	DESCRIPCIÓN DENOMINAZIONE NAME	BEZEICHUNG DESIGNATION	MOD.	NOTAS NOTES NOTA MITSCHRIFT NOTES
01A		CM152703	CTO CARBURADOR CARBURATORE CARBURETOR	VERGASER KOMPL ENSEMBLE CARBURATEUR	12	
02A		CM141710	COMPUERTA GAS R-VALVOLA GAS SLIDE	GASSCHIEBER BOISSEAU	12	
03A		CM107514	AGUJA PULVERIZADORA SPILLO CONICO NEEDLE	DUESENNADELUSE AIGUILLE PULVERIZ.	12	
04A		00H03206421	PULVERIZADOR POLVERIZZATORE NEEDLE JET	ZERSTAUBERDUSE PULVERISATEUR	12	
05A		CM101714	SURTIDOR MAXIMO 63 R-GETTO MASSIMO MAIN JET	HAUPT DUSE GICLEUR PRINCIPAL	12	
06A		CM102103	SURTIDOR MINIMO 32 R-GETTO MINIMO JET MIN	DUESE MIN. R-GICLEUR MINIMUM.	12	
07A		484704	VASO GASOLINA VASCHETTA BENZINA FLOAT BOWL SEET	SCHWIMMERKAMMER CUVE INFERIEURE CARBUR.	12	
08A		00H03204281	KIT FLOTADOR R-GALLEGGIANTE FLOAT	SCHWIMMER R-FLOTTEUR.	12	
09A		00G03200061	TORNILLO FIJ. TAPA CAMARA R-VITE FISSAGIO COPERCHIO CAM. MIXING XAMBER COVER SEGURING	BEF.-SCHRAUBE DECKEL MISCH R-BOUL.SER.COUV.CHAMBRE MEL	12	
10A		00G03201071	MUELLE VALVULA GAS R-MOLLA VALVOLA GAS THROOTLE VALVE RETURN	FEDER FUR GASVENTIL R-RESSORT VALVE ESS.	12	
11A		00G03200511	CASQUILLO AGUJA PULVERIZADOR GHIERA SPILLO CONICO NEEDLE BUSHING	BUCHSE DUESENNADEL R-DOUILLE AIGUI.PULVERZ.	12	

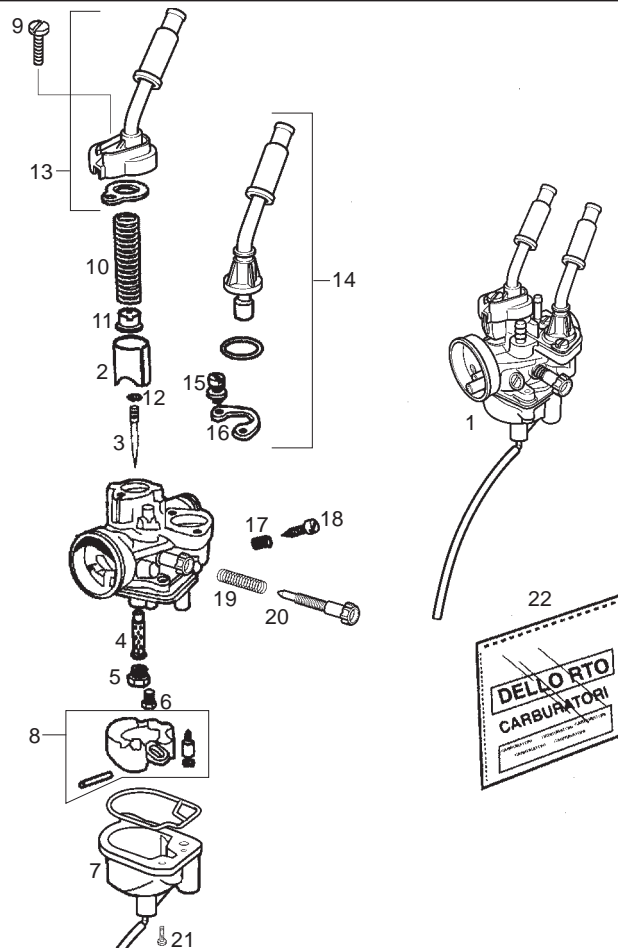


Fig.	Ver.	COD. KOD.	DESCRIPCIÓN DENOMINAZIONE NAME	BEZEICHUNG DESIGNATION	MOD.	NOTAS NOTES NOTA MITSCHRIFT NOTES
12A		00G03201371	PINZA AGUJA PULVERIZADOR MORSA SPILLO CONICO NEEDLE CIRCLIP	KLAMMER DUESENNADEL R-PINCE AIGUI.PULVERZ.	12	
13A		00H03204231	TAPA CAMARA MEZCLA R-COPERCHIO CAMARA MISCELA SE COVER CARBURETOR TOP	MISCHRAUMDECKEL COUVERCLE CARBURATEUR	12	
14A		CM146203	CTO STARTER R-STARTER CHOCKE LOCK	STARTERVENTIL VANNE DU STARTER MANUEL	12	
15A		00G03200541	TORNILLO FIJACION STARTER R-VITE FISSAGIO STARTER CHOCKE SEGURING SCREE	BEF.-SCHRAUBEAUTOM STARTER R-BOULON SER.START	12	
16A		00G03200551	PRECINTO FIJACION STARTER PIASTRINA FIS. STARTER CHOCKE SEGURING SCREE	HALTERUNG STARTER A R-PLOMBAGE FIX.START	12	
17A		00G03200721	MUELLE REGULACION AIRE MINIMO MOLLA REG. ARIA MIN. IDLE ADJUSTER	FEDER LUFTREGLER MIN. R-RESSORT REG.AIR MIN.	12	
18A		CM107701	TORNILLO REGULACION AIRE MINIMO R-VIS REG.AIR.MIN. IDLE ADJUSTER SCREW	LUFT-REGULIERSCHRAUBE MIN. R-VIS REG.AIR MIN.	12	
19A		00G03200101	MUELLE REGULACION VALVULA GAS MOLLA. REG. VALVE THROOTLE VALVE ADJUSTE SPRING	FEDER GAS-VENTIL-REGELUNG R-RES.REG.VALVE ESS.	12	
20A		00G04102131	TORNILLO REGULACION VALVULA GAS R-BOUTON VITE REGOLAZIONE VALVOLAR-VIS REG.VALV.ESS. THROOTLE VALVE ADJUSTER SCREW	SCHRAUBE GAS-VENTIL-REGELU R-BOUTON-VIS REG.VALV.ESS.	12	
21A		00G03201091	TORNILLO FIJACION VASO GASOLINA R-VITE FISSAGIO VASCHETTA BE FLOAT CHAMBER SEGURING SCREW	BEF.-SCHRAUBE R-BOUL.SERG.VASE ESSENC.	12	
22A		00H04103771	JUEGO JUNTAS CARBURADOR R-GUARNIZIONE CARBU. CARBURETOR GASKET	DICHTUNGSATZ KOMPL. VERGAS R-ENS. JOINTS CARBUR.	12	

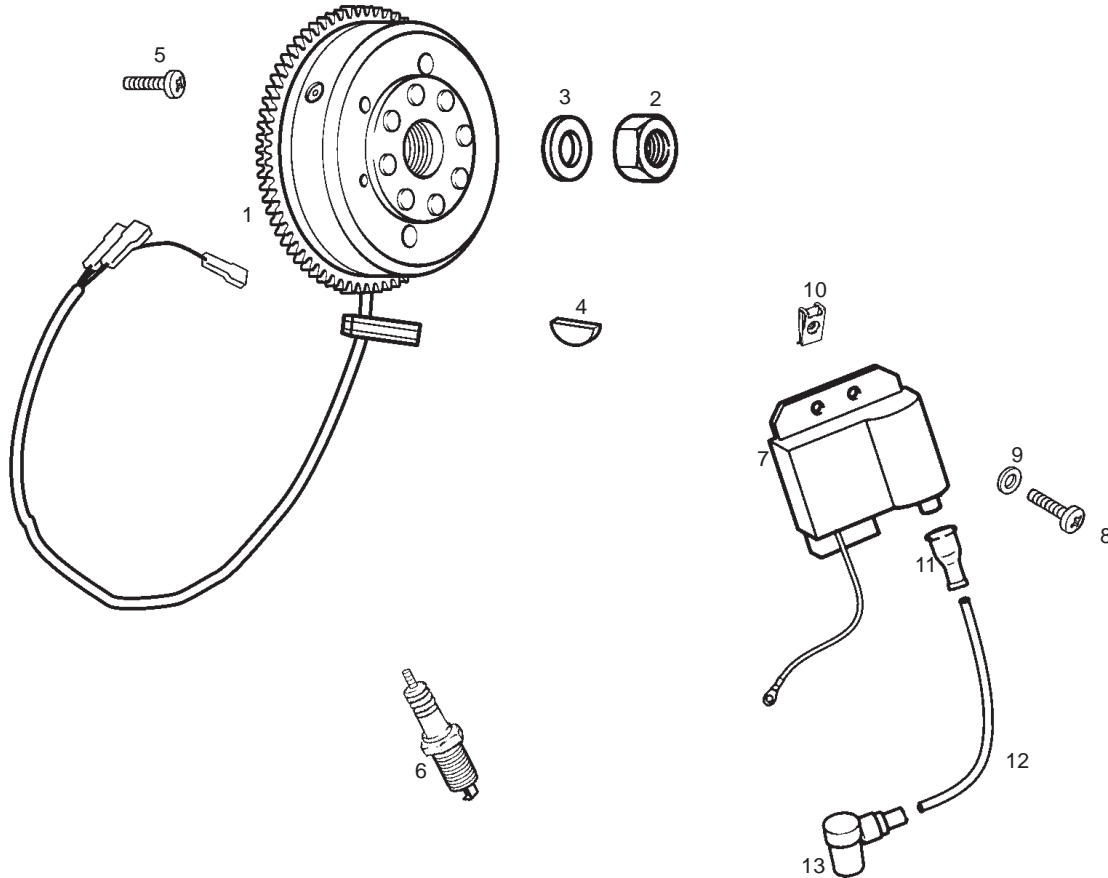


Fig.	Ver.	COD. KOD.	DESCRIPCIÓN DENOMINAZIONE NAME	BEZEICHNUNG DESIGNATION	MOD.	NOTAS NOTES NOTA MITSCHRIFT NOTES
01A		847065	CTO VOLANTE MAGNETICO VOLANO ELETTRONICO MAGNETO ASSEMBLY	LICHTMASCHINE KOMPL. VOLANT MAGNETIQUE	12	
02A		847235	TUERCA FIJACION VOLANTE DADO NUT	MUTTER ECROU	12	
03A		847234	ARANDELA FIJ. VOLANTE RONDELLA WASHER	SCHEIBE RONDELLE	12	
04A		847215	CHAVETA VOLANTE MAGNETICO SPINA VOLANO MAGNETICO .P.REC. KEY, FLYWHEEL	KEIL CLAVETTE VOLANT MAGNETIQUE	12	
05A		847233	TORNILLO FIJ.VOLTE.MAGN 5M80X10 VITE SCREW	SCHRAUBE VIS	12	
06A		847085	BUJIA CANDELA SPARK PLUG	KERZE BOUGIE	12	
07A		00H03330171	CONVERSOR ELECTRONICO BOBINA IGNITION COIL	SPULE BOBINE	12	
08A		00012162000	TORNILLO C/REDONDA CRUZ 6M100X20 VITE SCREW	SCHRAUBE VIS	12	
09A		00000031060	ARANDELA PLANA D6 RONDELLA WASHER	SCHEIBE RONDELLE	12	
10A		00D01501371	TUERCA FIJACION D6 DADO NUT	MUTTER ECROU	12	
11A		00F03300731	CAPUCHON CABLE BOBINA CAPPUCCIO CAVO BOBINA COIL CABLE RUBBER PROTECTOR	KAPPE CAPUCHON	12	

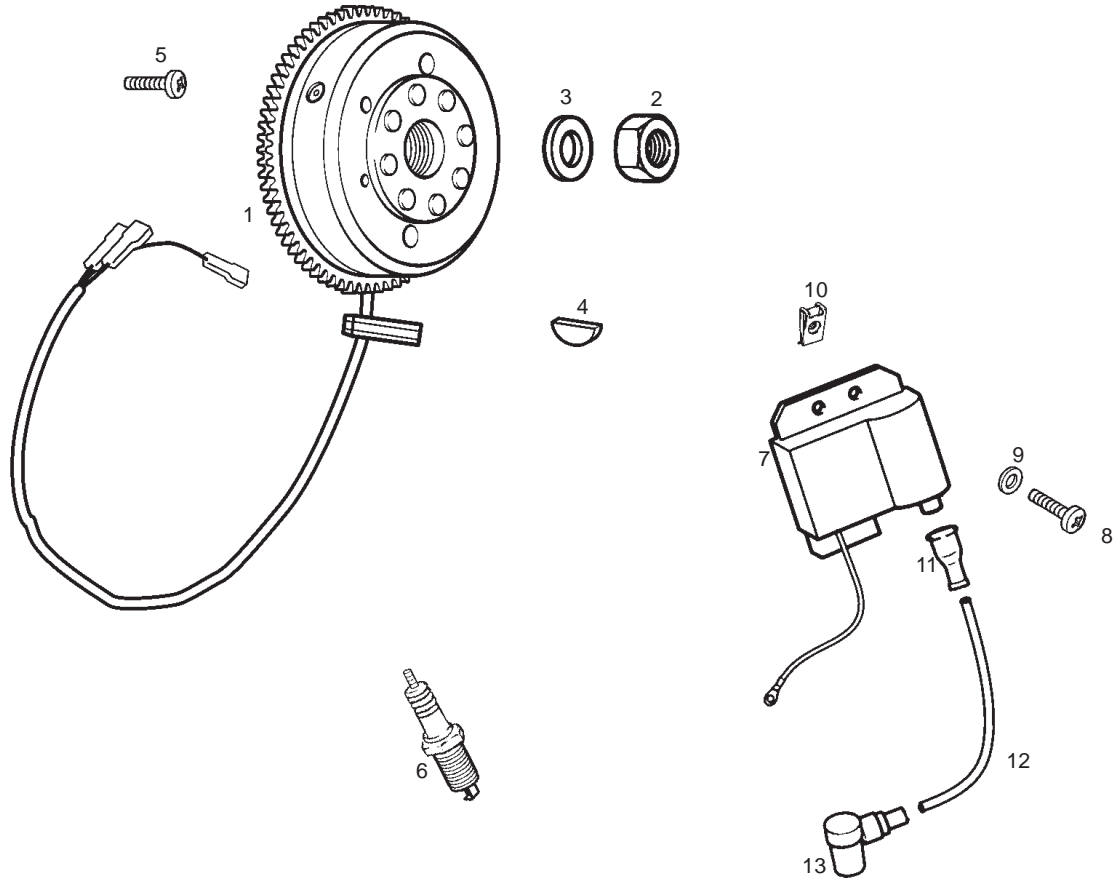


Fig.	Ver.	COD. KOD.	DESCRIPCIÓN DENOMINAZIONE NAME	BEZEICHNUNG DESIGNATION	MOD.	NOTAS NOTES NOTA MITSCHRIFT NOTES
12A		00F03310741	CABLE BOBINA CAVO BOBINA IGNITION COIL CABLE	ZUNDSPULENKABEL CABLE DE BOBINE	12	
13A		00G03301271	CTO PIPA BUJIA PIPETA CANDELA PLUG CAP ASSY	ZUNDKERZENSTECRER PIPE DE BOUGIE	12	

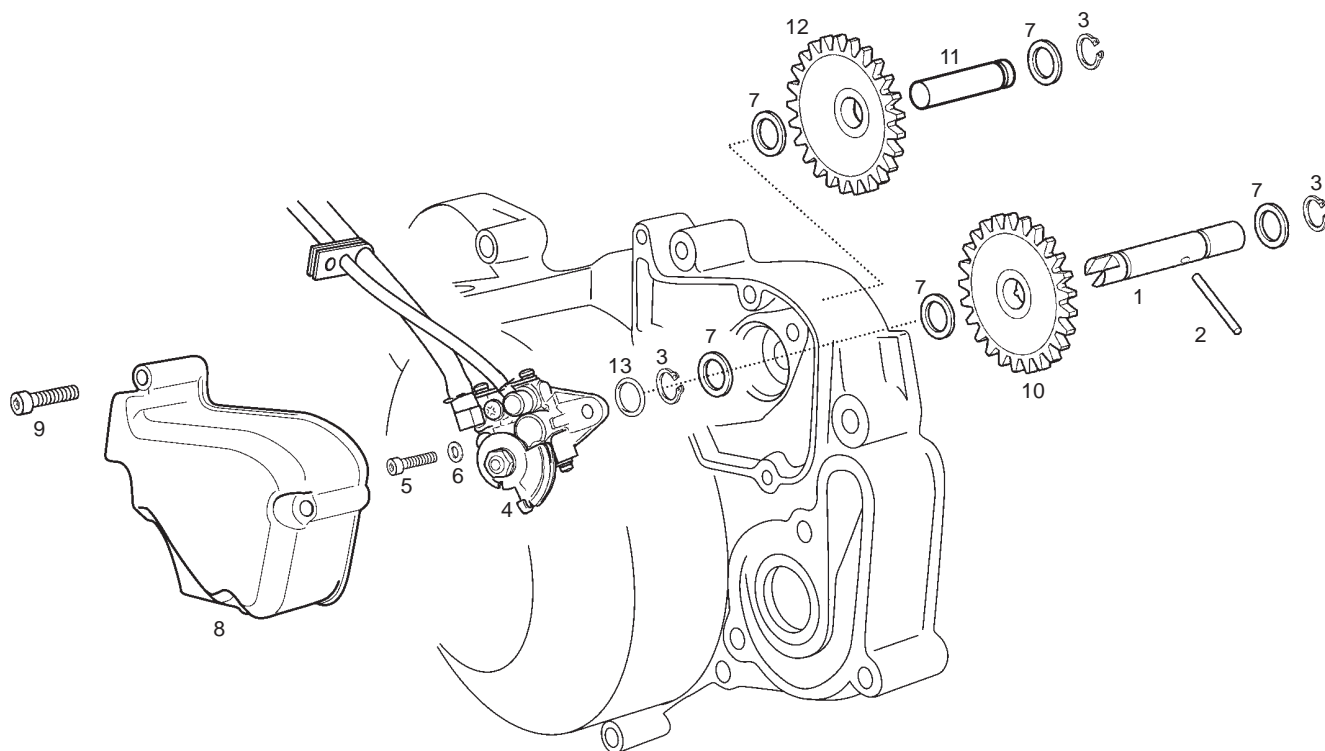


Fig.	Ver.	COD. KOD.	DESCRIPCIÓN DENOMINAZIONE NAME	BEZEICHNUNG DESIGNATION	MOD.	NOTAS NOTES NOTA MITSCHRIFT NOTES
01A		847052	EJE BOMBA ACEITE ASSE POMPA OLIO PUMPOIL AXLE	OLPUMPUNACHSE AXE DE POMPE D,HUILLE	12	
02A		847184	PASADOR EJE BOMBA CHIAVISTELLO SOSTEGNO SPIRALE FORK PIN	STIFT GOUDILLE	12	
03A		847182	ANILLO SEGURIDAD EJES D8 ANELLO SICUREZZA CIRCLIP	SEEGERRING CIRCLIP	12	
04A		847055	CTO BOMBA ACEITE POMPA OLIO OIL PUMP	OLPUMPE POMPE A HUILLE	12	
05A		847227	TORNILLO C/ALLEN 5M80X15 VITE SCREW	SCHRAUBE VIS	12	
06A		847226	ARANDELA D5 RONDELLA WASHER	SCHEIBE RONDELLE	12	
07A		847183	ARANDELA TOPE PIÑON INTERMEDIO RONDELLA WASHER	SCHEIBE RONDELLE	12	
08A		00H03706011	TAPA BOMBA ACEITE COPERCHIO COVER	DECKEL COUVERCLE	12	
09A		00004154000	TORNILLO C/ALLEN 5M80X40 VITE SCREW	SCHRAUBE VIS	12	
10A		847051	PIÑON BOMBA ACEITE Z25 PIGNONE GEAR	ZAHNRAD PIGNON	12	
11A		847076	EJE PIÑONES INTERMEDIOS ASSE AXLE	ACHSE AXE	12	



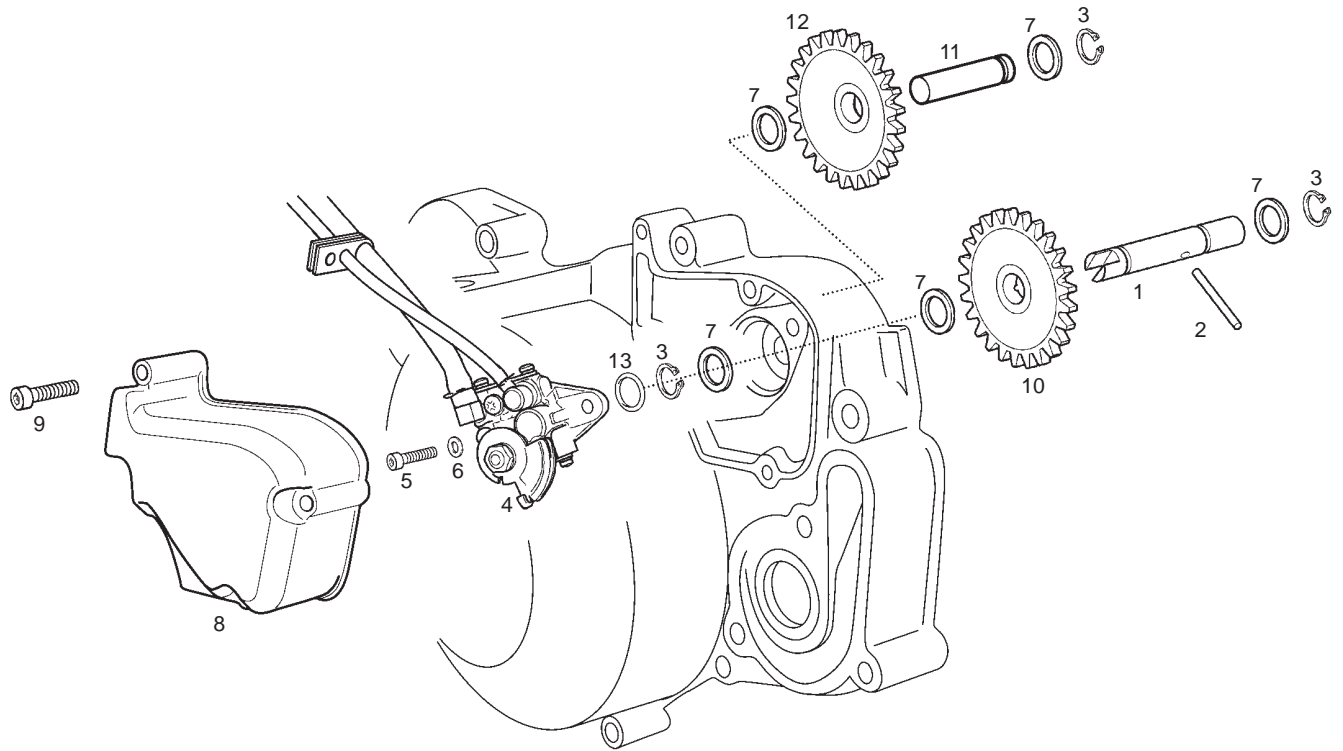


Fig.	Ver.	COD. KOD.	DESCRIPCIÓN DENOMINAZIONE NAME	BEZEICHNUNG DESIGNATION	MOD.	NOTAS NOTAS NOTA MITSCHRIFT NOTES
12A		847053	PIÑÓN INTERMEDIO BOMBA Z13/24 PIGNONE GEAR	ZAHNRAD PIGNON	12	
13A		311163	JUNTA BOMBA ACEITE GUARNIZIONE GASKET	DICHTUNG JOINT	12	

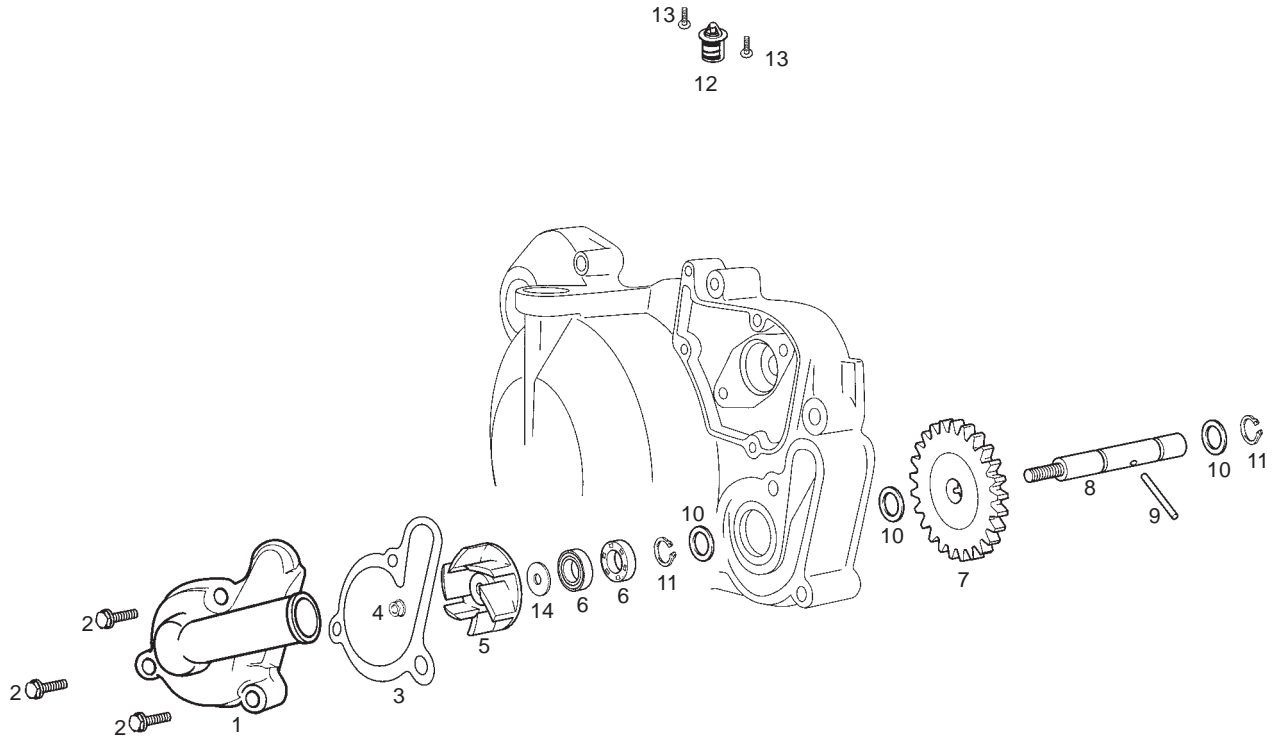


Fig.	Ver.	COD. KOD.	DESCRIPCIÓN DENOMINAZIONE NAME	BEZEICHNUNG DESIGNATION	MOD.	NOTAS NOTES NOTA MITSCHRIFT NOTES
01A		CM150802	TAPA BOMBA AGUA COPERCHIO POMPA ACQUA WATER PUMP COVER	DECKEL F. WASSERPUMPE COUVERCLE DE POMPE D,EAU	12	
02A		CM149805	TORNILLO FIJACION 6X30 Zn.B VITE SCREW	SCHRAUBE VIS	12	
03A		849169	JUNTA TAPA BOMBA AGUA GUARNIZIONE COPERCHIO GASKET	DICHTUNG F. WASSERPUMPENDE JOINT	12	
04A		847067	TUERCA 5M80 LATON DADO NUT	MUTTER ECROU	12	
05A		847079	RODETE BOMBA AGUA ROCCHETTO POMPA ACQUA WATER PUMP ROLLER	LAUFER F. WASSERPUMP CHIGNON POMPE D,EAU	12	
06A		847077	RETEN EJE BOMBA GIUNTO TENUTA SEAL	DICHTRING JOINT	12	
07A		847080	PIÑÓN BOMBA AGUA Z-32 PIGNONE GEAR	ZAHNRAD PIGNON	12	
08A		847078	EJE BOMBA AGUA ASSE POMPA ACQUA WATER-PUMP SHAFT	WASSERPUMPENACHSE AXE POMPE D,AEU	12	
09A		847184	PASADOR EJE BOMBA CHIAVISTELLO SOSTEGNO SPIRALE FORK PIN	STIFT GOUDILLE	12	
10A		847183	ARANDELA TOPE PIÑÓN INTERMEDIO RONDELLA WASHER	SCHEIBE RONDELLE	12	
11A		847182	ANILLO SEGURIDAD D8 ANELLO SICUREZZA CIRCLIP	SEEGERRING CIRCLIP	12	

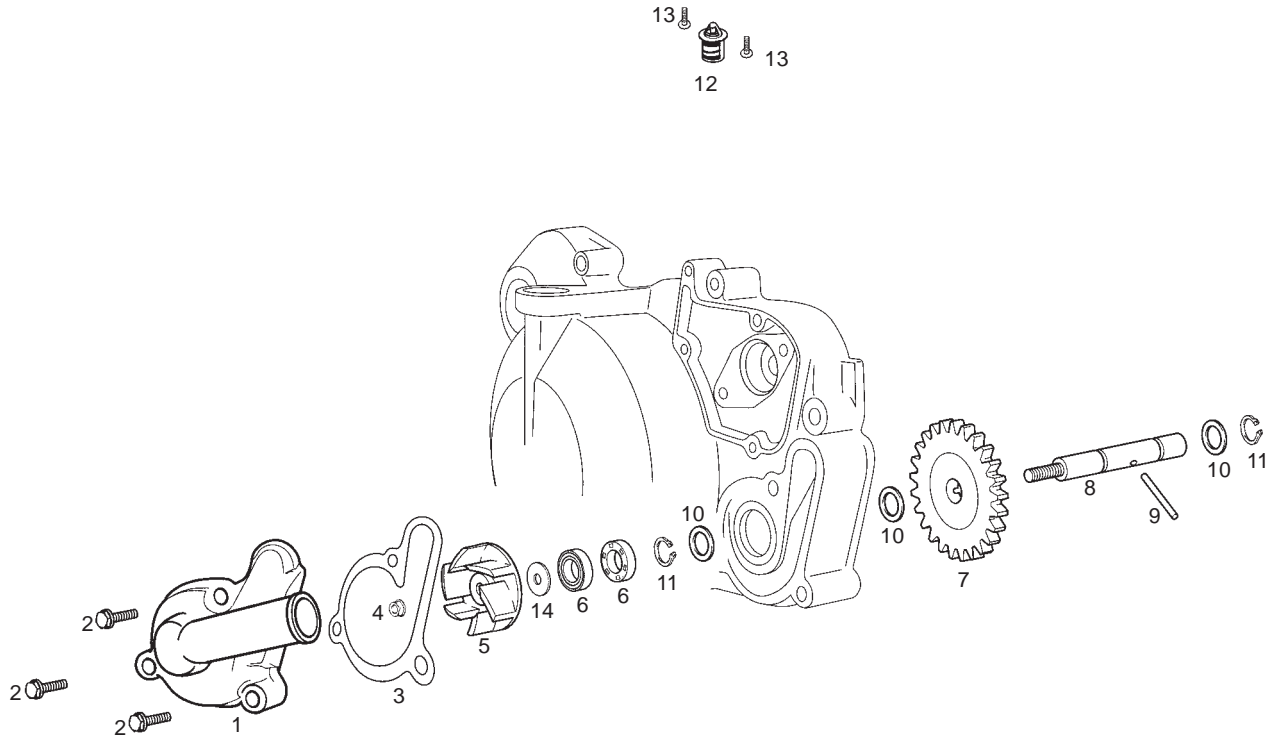


Fig.	Ver.	COD. KOD.	DESCRIPCIÓN DENOMINAZIONE NAME	BEZEICHNUNG DESIGNATION	MOD.	NOTAS NOTES NOTA MITSCHRIFT NOTES
12A		483395	INTERRUPTOR TERMICO INTERRUPTORE TERMICO THERMIC SWITCH	SCHALTER INTERRUPTEUR	12	
13A		847176	TORNILLO C/RED CRUZ NEGRO VITE SCREW	SCHRAUBE VIS	12	
14A		847181	ARANDELA RONDELLA WASHER	SCHEIBE RONDELLE	12	

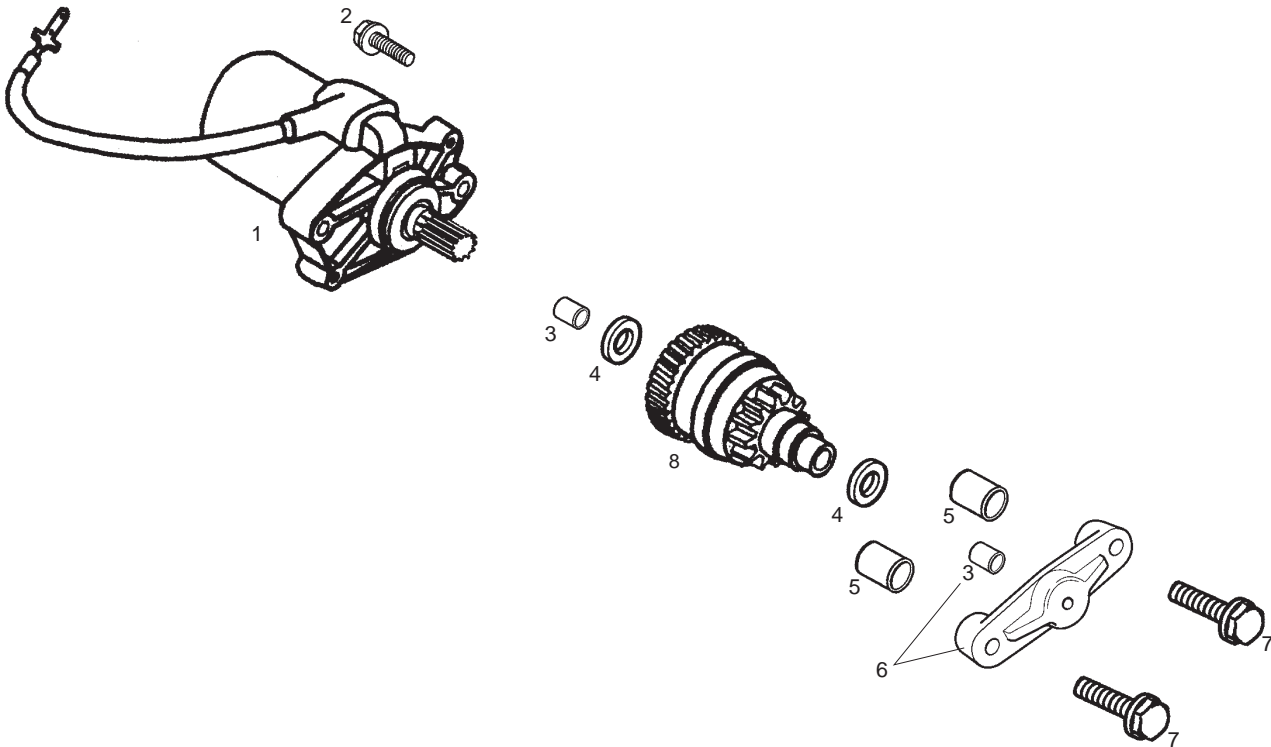


Fig.	Ver.	COD. KOD.	DESCRIPCIÓN DENOMINAZIONE NAME	BEZEICHNUNG DESIGNATION	MOD.	NOTAS NOTES NOTA MITSCHRIFT NOTES
01A		96921R	CTO MOTOR ARRANQUE ELECTRICO MOTORINO AVVIAMENTO STARTER MOTOR ASSY	ELEKTRISCHER ANLASSER DEMARREUR ELECTRIQUE	12	
02A		CM149803	TORNILLO FIJACION VITE SCREW	SCHRAUBE VIS	12	
03A		847146	CASQUILLO EJE APOYO MOTOR BOCCOLA CRANKCASE LOCATOR	ZENTRIERUNGEN CENTREUR CARTERS	12	
04A		847261	ARANDELA EJE PIÑON ARRANQUE RONDELLA WASHER	SCHEIBE RONDELLE	12	
05A		847241	PASADOR BOCCOLA CRANKCASE LOCATOR	ZENTRIERUNGEN CENTREUR CARTERS	12	
06A		8470665	CTO TAPETA APOYO ARRANQUE MOTOR FLANGIA MOTORINO AVVIAMENTO STARTER MOTOR SUPPORT PLATE	AUFLAGE ANLASSER-MOTOR PLATINE APPUI DEMARREUR	12	
07A		CM149805	TORNILLO FIJACION 6X30 VITE SCREW	SCHRAUBE VIS	12	
08A		96922R	CTO PIÑONES ARRANQUE ELECTRICO PIGNONE GEAR	ZAHNRAD PIGNON	12	

CODIGO CODE	Lám. Diagr.	Figr.	Vers.	CODIGO CODE	Lám. Diagr.	Figr.	Vers.	CODIGO CODE	Lám. Diagr.	Figr.	Vers.	CODIGO CODE	Lám. Diagr.	Figr.	Vers.
00A00900531	09	22A		00G06800021	06	25A		00H00805072	01	40A		00H01501811	06	08A	
00A00900531	12	25A		00G06800021	09	30A		00H00827011	01	39A		00H01503701	06	03A	
00D00900531	09	24A		00G06800211	12	19A		00H00900551	08	25A		00H01504051	04	05A	
00D01000701	08	28A		00H00102961	03	08A		00H00902071	08	22A		00H01504121	01	21A	
00D01100201	12	14A		00H00105672	01	30A		00H00902261	12	24A		00H01504242	06	22B	
00D01200171	01	05A		00H00105702	01	29A		00H00902471	08	01A		00H01504244	06	22A	
00D01200171	07	12A		00H00105941	01	06A		00H00902481	08	02A		00H01504261	06	28A	
00D01500471	04	36A		00H00108341	01	17A		00H00903081	08	07A		00H01504292	06	23B	
00D01500552	04	34A		00H00200701	02B	13A		00H00904291	08	24A		00H01504294	06	23A	
00D01501371	04	06A		00H00200721	02B	06A		00H00904651	08	27A		00H01504301	01	16A	
00D01501371	04	24A		00H00200831	02B	20A		00H00907201	08	17A		00H01504751	05	03A	
00D01501371	06	19A		00H00201441	02B	11A		00H00921301	08	26A		00H01507091	01	33A	
00D01501371	07	03A		00H00202231	02B	14A		00H00922751	08	18A		00H01507451	01	34A	
00D01501371	09	31A		00H00203471	02B	12A		00H00932171	08	10A		00H01509181	03	17A	
00D01501371	24	10A		00H00203761	01	45A		00H01000541	08	30A		00H01515201	11	16A	
00D02600631	06	14A		00H00204501	02A	09A		00H01000541	09	28A		00H01515231	06	16B	
00D02600631	06	32A		00H00205471	02A	13A		00H01000681	09	10A		00H01515234	06	16A	
00D02600631	07	07A		00H00205601	02A	14A		00H01001371	09	11A		00H01516191	03	12A	
00D02600631	09	14A		00H00206101	02A	05A		00H01001911	09	36A		00H01516282	05	01B	
00D02600631	13	04A		00H00206231	02A	15A		00H01002821	12	27A		00H01516286	05	01A	
00D03700131	04	16A		00H00206501	02B	05A		00H01003951	09	09A		00H01600911	08	05A	
00D03700131	04	49A		00H00207111	02A	04A		00H01004131	09	07A		00H01602941	13	05A	
00D05900081	09	35A		00H00207601	02B	17A		00H01005311	09	29A		00H01615051	13	02A	
00F00900531	09	23A		00H00208151	02A	12A		00H01008841	09	34A		00H01700531	09	15A	
00F00900531	15	12A		00H00208271	02A	08A		00H01011321	09	08A		00H01700541	09	16A	
00F03300731	24	11A		00H00208531	02A	07A		00H01100221	12	23A		00H01701011	05	31A	
00F03310741	24	12A		00H00210151	02B	10A		00H01100541	12	12A		00H01800021	05	19A	
00F05900041	05	02A		00H00216171	02A	10A		00H01101211	12	06A		00H01800031	05	20A	
00F05900041	07	02A		00H00217011	02A	03A		00H01104611	12	13A		00H01800161	06	12A	
00G00400501	04	14A		00H00217091	02A	02A		00H01104701	12	08A		00H01800171	06	15A	
00G00400501	04	29A		00H00235001	02A	01A		00H01105181	12	05A		00H01800621	15	09A	
00G00803101	15	04A		00H00235001	02B	01A		00H01105581	12	01A		00H01801411	01	47A	
00G01001821	04	09A		00H00300672	10	06A		00H01113081	12	22A		00H01803471	09	20A	
00G01026011	09	03A		00H00302651	03	04A		00H01201331	10	07A		00H01806331	03	19A	
00G01027011	09	04A		00H00303231	03	06A		00H01203291	10	04A		00H01809331	03	23A	
00G01504701	12	09A		00H00303401	03	05A		00H01205031	10	09A		00H01810541	15	01A	
00G02102923	08	04A		00H00306411	03	02A		00H01205271	10	03A		00H01979601	01	01A	
00G03200061	23	09A		00H00322971	03	01A		00H01207191	10	12A		00H02002031	02A	11A	
00G03200101	23	19A		00H00400501	04	20A		00H01212841	10	01A		00H02006541	02B	04A	
00G03200511	23	11A		00H00402131	04	11A		00H01215021	10	10A		00H02007831	02A	16A	
00G03200541	23	15A		00H00402581	04	04A		00H01221111	10	02A		00H02008821	02A	17A	
00G03200551	23	16A		00H00403581	04	10A		00H01301311	12	18A		00H02101631	08	08A	
00G03200721	23	17A		00H00406321	04	17A		00H01301831	12	04A		00H02101901	08	09A	
00G03201071	23	10A		00H00500251	15	03A		00H01302491	11	15A		00H02102191	08	14A	
00G03201091	23	21A		00H00508071	07	16A		00H01306171	11	14A		00H02102861	08	15A	
00G03201371	23	12A		00H00508081	07	15A		00H01306201	11	03A		00H02108611	08	21A	
00G03204272	15	13A		00H00601931	07	10A		00H01306811	11	13A		00H02111081	08	12A	
00G03301271	24	13A		00H00603141	07	11A		00H01308091	11	07A		00H02200461	06	29A	
00G03302401	09	19A		00H00604871	07	13A		00H01308181	11	10A		00H02200591	04	47A	
00G03701031	04	53A		00H00619163	07	01B		00H01309531	11	08A		00H02200591	08	33A	
00G03702181	09	37A		00H00619164	07	01A		00H01310381	11	01A		00H02201731	14	08A	
00G03702181	22	33A		00H00624011	07	09A		00H01323031	11	11A		00H02202301	01	26A	
00G03900821	22	19A		00H00700321	06	05A		00H01323321	11	02A		00H02202311	01	25A	
00G04102131	23	20A		00H00702051	06	02A		00H01500421	03	10A		00H02209671	05	08A	
00G04401462	07	08A		00H00706381	07	26A		00H01500491	03	07A		00H02303241	05	22A	
00G04401462	12	17A		00H00707121	07	23A		00H01500691	09	27A		00H02304121	09	01A	
00G04403751	06	07A		00H00717341	07	27A		00H01501131	01	22A		00H02304171	08	23A	
00G04403752	07	29A		00H00720023	06	01B		00H01501211	11	17A		00H02402282	10	11A	
00G04700141	12	03A		00H00720026	06	01A		00H01501701	05	18A		00H02402282	11	09A	
00G04702091	10	17A		00H00800422	01	41A		00H01501701	06	24A		00H02500272	01	13A	
00G04702091	11	18A		00H00800431	05	30A		00H01501701	06	34A		00H02501491	22	32A	
00G06201061	04	18A		00H00803082	01	42A		00H01501701	07	17A		00H02701271	12	28A	

CODIGO CODE	Lám. Diagr.	Figr.	Vers.	CODIGO CODE	Lám. Diagr.	Figr.	Vers.	CODIGO CODE	Lám. Diagr.	Figr.	Vers.	CODIGO CODE	Lám. Diagr.	Figr.	Vers.
00H02701271	19	10A		00H04901291	01	36A		00002051251	04	48A		00031105000	15	07A	
00H02706421	19	02A		00H04901731	01	04A		00002053051	04	12A		00031106000	05	28A	
00H02800421	20	23A		00H04902291	01	43A		00002053051	12	15A		00031106023	03	13A	
00H02813371	20	22A		00H04902311	01	35A		00002061011	08	32A		00031107024	03	16A	
00H03000272	01	10A		00H04903181	05	26A		00002062011	14	02A		00032015000	10	05A	
00H03007241	22	06A		00H04903401	01	37A		00002062011	19	09A		00032015000	11	04A	
00H03204231	23	13A		00H05102011	16	02A		00002062511	04	07A		00034000802	02A	19A	
00H03204281	23	08A		00H05105561	16	01A		00002064011	04	33A		00034001002	09	17A	
00H03206421	23	04A		00H05161652	06	36B		00002082021	13	06A		00047030400	01	38A	
00H03208251	15	08A		00H05161656	06	36A		00002083001	01	23A		00047030400	01	46A	
00H03209261	15	11A		00H05164121	16	05A		00002083001	02A	20A		00058020200	10	08A	
00H03302551	09	21A		00H05700711	09	25A		00002083001	08	03A		00058020200	11	06A	
00H03330171	24	07A		00H05701471	09	12A		00002084011	01	07A		00092063514	04	22A	
00H03405321	14	09A		00H05704051	09	02A		00003515370	04	55A		00262080022	01	15A	
00H03406061	14	10A		00H05800151	05	13A		00003515370	07	18A		00262080022	14	05A	
00H03430411	14	06A		00H05801151	05	12A		00004062200	08	31A		00262100032	01	12A	
00H03448601	14	01A		00H05902521	06	30A		00004111000	03	09A		00262100032	12	21A	
00H03700111	04	28A		00H05910251	01	48A		00004154000	08	06A		00262120032	03	11A	
00H03700131	12	07A		00H06001011	16	04A		00004154000	25	09A		00281101503	03	15A	
00H03700131	15	15A		00H06101251	07	14A		00004163500	08	13A		00281141503	03	03A	
00H03701411	04	27A		00H06202061	04	19A		00004184001	01	18A		00281141503	11	05A	
00H03702061	04	25A		00H06300401	01	03A		00005010760	08	29A		00402060001	04	23A	
00H03702461	15	14A		00H06300771	04	08A		00005551290	16	03A		00402060001	05	24A	
00H03704051	04	26A		00H06300791	13	07A		00006082000	01	31A		00402060001	12	26A	
00H03706011	25	08A		00H06300861	06	18A		00006082000	14	03A		00402080001	01	08A	
00H03706081	04	21A		00H06301171	15	02A		00006083000	01	32A		00402080001	01	27A	
00H03711461	22	18A		00H06301861	05	23A		00006309260	08	19A		00402080001	06	35A	
00H03800722	12	16A		00H06400101	15	10A		00006321040	08	20A		00402080001	14	04A	
00H03800751	04	42A		00H06800321	06	17B		00006321040	12	10A		00402100001	01	11A	
00H03800861	04	52A		00H06800324	06	17A		00008041200	05	04A		00402100001	03	14A	
00H03801701	04	40A		00H06800941	05	14A		00008041600	05	05A		00402100001	12	20A	
00H03801961	04	50A		00H10408181	04	13A		00008051200	06	09A		00442080002	01	19A	
00H03801961	04	54A		00000004160	10	13A		00008051600	07	06A		311163	25	13A	
00H03802091	04	43A		00000004645	04	46A		00008062000	06	04A		436947	17	14A	
00H03802472	04	31A		00000004825	02A	06A		00008064500	04	02A		483395	26	12A	
00H03802751	04	45A		00000004835	02A	18A		00008064500	05	27A		484704	23	07A	
00H03803491	04	39A		00000004845	14	07A		00008915020	04	35A		584521	09	32A	
00H03803501	04	30A		00000011416	06	31A		00011031401	05	21A		828152	22	25A	
00H03807041	04	41A		00000012516	08	11A		00011031401	06	20A		82835R	18	10A	
00H03807491	04	51A		00000023040	06	33A		00011031401	07	04A		847006	17	03A	
00H03809011	04	32A		00000023040	07	28A		00011031401	09	13A		847007	17	18A	
00H03813021	04	44A		00000023051	06	11A		00011031801	09	05A		847008	17	15A	
00H04103771	23	22A		00000023060	04	38A		00011031801	15	16A		847009	17	07A	
00H04325031	13	01A		00000023060	05	25A		00011032501	06	21A		847010	17	10A	
00H04326031	13	01B		00000023060	05	29A		00011051401	06	13A		847012	17	04A	
00H04400111	03	22A		00000023060	06	06A		00011241300	03	20A		847013	21	04A	
00H04400711	04	15A		00000023060	11	12A		00011241300	07	24A		847014	17	08A	
00H04400711	07	20A		00000023060	12	11A		00011941300	13	03A		847015	22	16A	
00H04400951	05	17A		00000031040	05	06A		00011941300	15	06A		847016	21	05A	
00H04400971	05	15A		00000031050	03	21A		00012051200	09	26A		847017	21	03A	
00H04400981	05	16A		00000031050	06	10A		00012162000	24	08A		847018	20	38A	
00H04411771	07	21A		00000031050	07	05A		00014041200	08	16A		847019	20	19A	
00H04411781	07	22A		00000031050	07	19A		00016041301	03	18A		847020	17	11A	
00H04601881	05	10A		00000031050	07	25A		00021010002	09	18A		847020	17	13A	
00H04602881	05	09A		00000031050	09	06A		00023108000	01	09A		847021	20	04A	
00H04604921	05	11A		00000031060	04	37A		00023108000	01	20A		847023	22	10A	
00H04613841	06	27A		00000031060	24	09A		00023108000	01	24A		847024	22	17A	
00H04700121	10	16A		00000031070	04	03A		00023108000	01	28A		847026	17	09A	
00H04700121	12	02A		00000033040	20	25A		00023108000	01	44A		847027	20	01A	
00H04700171	10	15A		00000056205	01	02A		00023108000	15	05A		847028	20	06A	
00H04703171	10	18A		00000061061	01	14A		00027004000	05	07A		847029	20	36A	
00H04704141	10	14A		00002041050	20	24A		00031105000	06	26A		847030	20	27A	

CODIGO CODE	Lám. Diagr.	Figr.	Vers.	CODIGO CODE	Lám. Diagr.	Figr.	Vers.	CODIGO CODE	Lám. Diagr.	Figr.	Vers.	CODIGO CODE	Lám. Diagr.	Figr.	Vers.
847031	20	37A		847183	26	10A		86238200WN0	04	01B					
847032	20	26A		847184	25	02A		86238200WR0	04	01A					
847034	20	31A		847184	26	09A		871319	22	30A					
847036	20	32A		847209	20	20A		942577	09	33A					
847038	20	29A		847210	20	05A		96921R	27	01A					
847040	18	11A		847211	20	12A		96922R	27	08A					
847042	18	12A		847213	20	33A		CM101714	23	05A					
847043	18	07A		847213	21	02A		CM102103	23	06A					
847044	18	08A		847214	20	28A		CM107514	23	03A					
847045	18	03A		847215	17	16A		CM107701	23	18A					
847046	18	13A		847215	24	04A		CM141710	23	02A					
847047	18	14A		847217	18	02A		CM146203	23	14A					
847048	18	16A		847218	18	04A		CM149801	22	09A					
847049	21	06A		847220	18	05A		CM149802	22	29A					
847050	21	01A		847221	18	06A		CM149803	27	02A					
847051	25	10A		847223	18	21A		CM149804	17	19A					
847052	25	01A		847224	18	15A		CM149804	22	22A					
847053	25	12A		847225	18	17A		CM149805	26	02A					
847055	25	04A		847226	25	06A		CM149805	27	07A					
847065	24	01A		847227	25	05A		CM149806	22	23A					
8470665	27	06A		847228	19	08A		CM149808	22	24A					
847067	26	04A		847233	24	05A		CM149809	22	26A					
847068	19	06A		847234	24	03A		CM1503035	22	01A					
847069	19	04A		847235	24	02A		CM150704	22	04A					
847070	19	05A		847236	19	01A		CM150802	26	01A					
847073	19	03A		847237	22	07A		CM151201	18	20A					
847075	18	19A		847238	22	08A		CM151901	17	06A					
847075	19	07A		847239	22	13A		CM152703	23	01A					
847076	25	11A		847240	22	12A									
847077	26	06A		847241	22	03A									
847078	26	08A		847241	27	05A									
847079	26	05A		847261	27	04A									
847080	26	07A		8472625001	17	02A									
847083	18	18A		8472625002	17	02B									
847084	22	05A		8472625003	17	02C									
847085	24	06A		8472625004	17	02D									
847086	20	03A		847275	21	08A									
847087	22	14A		847276	21	07A									
847090	18	22A		847323	18	01A									
847091	22	11A		847529	17	17A									
847092	22	21A		847541	20	16A									
847093	22	20A		847542	20	14A									
847096	22	31A		847544	20	02A									
847146	27	03A		847545	20	18A									
847153	20	07A		847546	20	17A									
847154	20	21A		847547	20	34A									
847155	20	09A		847548	20	15A									
847156	20	10A		847549	20	11A									
847157	20	08A		847550	20	13A									
847158	20	30A		848019	22	28A									
847159	20	35A		848501	22	02A									
847172	17	12A		849169	26	03A									
847174	22	27A		861627	02B	02A									
847175	17	01A		861628	02B	03A									
847176	26	13A		861629	02B	07A									
847178	17	05A		861630	02B	08A									
847179	18	09A		861631	02B	09A									
847180	22	15A		861632	02B	15A									
847181	26	14A		861633	02B	16A									
847182	25	03A		861634	02B	18A									
847182	26	11A		861635	02B	19A									
847183	25	07A		861636	02B	21A									