

NACIONAL MOTOR, S.A.U. DERBI

C/ Barcelona, nº19 - Martorelles 08107 - BARCELONA (SPAIN)

Tel. 93 565 78 78 - Fax 93 565 78 52

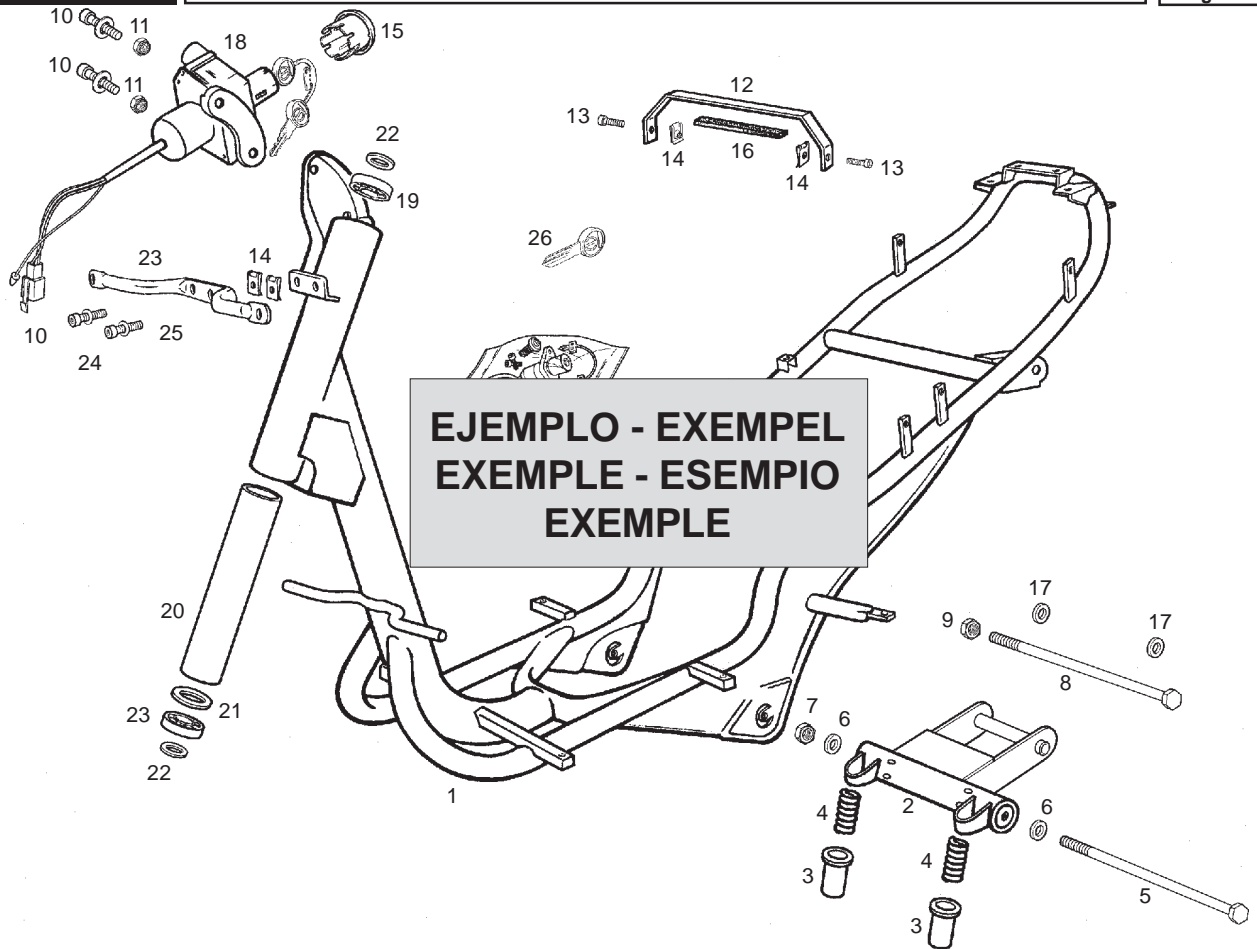
DERBI



ATLANTIS O2 CITY 2003-2006 E2

CÓDIGO CATÁLOGO
CATALOGUE NUMBER

7077CG06003



| Fig. | Ver. | COD. KOD. | DESCRIPCIÓN DENOMINAZIONE NAME | BEZEICHNUNG DESIGNATION | MOD. | Nº CHASIS Nº TELAIO FRAME NUM. N.º CADRE Nr. RHAMEN |
|------|------|-------------|----------------------------------------|-------------------------|------|-----------------------------------------------------|
| | | 00G01924601 | R-SCTO.CUADRO C/COJIN. ATLANTIS TELAIO | RHAMEN CADRE COMPLET | 12 | XXXXXXX |
| ② | 01 | 00G01924601 | FRAME SUB-ASSEMBLY | | | |
| | | 00G01924601 | R-SCTO.CUADRO C/COJIN. ATLANTIS TELAIO | RHAMEN CADRE COMPLET | 12 | XXXXXXX |
| ③ | 02 | 00G01924601 | FRAME SUB-ASSEMBLY | | | |
| | | 00G01924601 | R-SCTO.CUADRO C/COJIN. ATLANTIS TELAIO | RHAMEN CADRE COMPLET | 12 | XXXXXXX |
| ④ | 03 | 00G01924601 | FRAME SUB-ASSEMBLY | | | |
| ① | | | | ⑧ | ⑥ | ⑦ |

1- Código de localización de piezas. 2- Código indicativo de pieza reemplazada. 3- Código indicativo de pieza anulada. 4- Código indicativo de pieza restituida (esta se monta de nuevo). 5- Código de referencia de la pieza. 6- Identificación de modelos. 7- Los códigos de esta casilla indican que, a partir del número de chasis o motor indicado dentro de esta, se monta una nueva pieza que reemplaza a la anterior (sección 2), que una pieza no se monta (sección 3), o que la pieza anulada se monta de nuevo (sección 4), y concierne a los modelos indicados (sección 6). 8- Denominación de la pieza.

1- Codice di localizzazione pezzi. 2- Codice indicatore del pezzo sostituito. 3- Il pezzo precedente non si monta. 4- Codice indicatore dei pezzi che si tornano a montare. 5- Codice di identificazione del pezzo. 6- Identificazione del modello. 7- Il codice di questa casella indica che, dal numero di Telaio/motore indicato, si monta un nuovo pezzo che sostituisce il precedente (sezione 2), che un pezzo non si monta (sezione 3), oppure che il pezzo annullato si monta di nuovo (sezione 4), facendo riferimento al modello indicato (sezione 6). 8- Denominazione del pezzo.

1- Part location number. 2- Substituted part number. 3- Withdrawn part number (no longer fitted). 4- Restored part number (newly fitted being withdrawn). 5- Part reference number. 6- Model identification number. 7- Chassis or engine number from which a new part is fitted substituting a part which has been withdrawn (see para 2) or a part is withdrawn is fitted again (see para 4), in the models indicated (see para 6). 8- Part identification label.

1- Zeichnungs - Nummer. 2- Ausführung. 3- Gestrichene Ersatzteilnummer. 4- Ersetzte Ersatzteilnummer. 5- Ersatzteilnummer. 6- Modell - Nummer. 7- Rhamen - oder motonummer, für die ein neues teil eingestzt wird, z.b. eine nummer, die geändert (s. para 2), order ein teil, das gestrichen wurde (s.para 3), order ein teil, das vorübergehend verschiedene modelle (s. para 6) 8- Bezeichnung.

1- Code de localisation de la pièce. 2- Code indicateur de pièce remplace par un autre. 3- Code indicateur de pièce annulé (elle n'est plus montée). 4- Code indicateur de pièce restituée (elle se monte à nouveau). 5- Code référence de la pièce. 6- Les codes de cette case indiquant qu'à partir de numero 7- Chassis ou de moteur indiqué, un nouvelle pièce est montée en remplacement d'une autre (section 2), qu'une pièce n'est plus montée (section 3) ou la pièce anulée est montée à nouveau (section 4) et concernant les modèls indiqués (section 6). 8- Denomination de la pièce.

**IDENTIFICACION DE MODELOS REPRESENTADOS EN ESTE
CATALOGO SEGUN LOS DIGITOS SIGUIENTES**

**IDENTIFICAZIONE DEI MODELLI RAPPRESENTATI IN QUESTO CATALOGO
SECONDO I NUMERI A SEGUIRE**

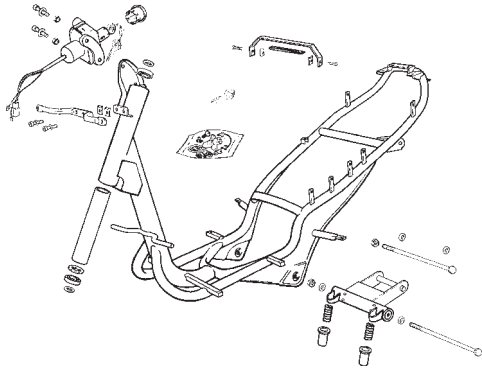
**THE MODELS REFERRED INTO THIS CATALOGUE ARE IDENTIFIED
BY FOLLOWING NUMBERS**

BESTIMMUNG DER VERSCHIEDENEN MODELLE IN DIESEM KATALOG

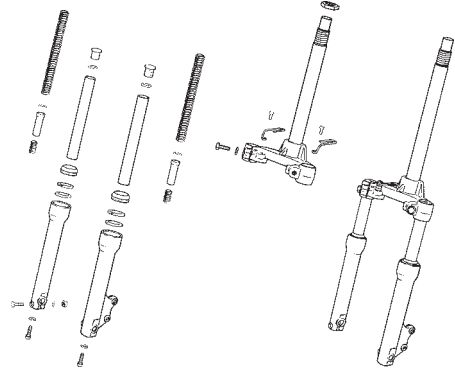
**IDENTIFICATION DES MODELOES REPRESENTES DANS CE CATALOGUE,
EN FUNCTION DES CODES SUIVANTS**

| MODELO MODELLI MODEL MODELL MODELE | DENOMINACION DENOMINAZIONE MODEL NAME BEZEICHNUNG DENOMINATION | CODIGO MODELO CODICE MODELLI CODE MODEL KODE MODELL CODE MODELE |
|------------------------------------------------|-------------------------------------------------------------------------------------------------------------------------------------------------------------------------------------------------------------------------------------------------------------------------------------------------------------------------------------------------------------------------------------------------|----------------------------------------------------------------------------------------------|
| 1 | ATLANTIS O2 CITY 2003 ESPAÑA AMARILLO (CHOPO) E2 ATLANTIS O2 CITY 2003 FRANCE YELLOW (CHOPO) E2 ATLANTIS O2 CITY 2003 ENGLAND YELLOW (CHOPO) E2 ATLANTIS O2 CITY 2003 ITALY YELLOW (CHOPO) E2 ATLANTIS O2 CITY 2003 AUSTRIA YELLOW (CHOPO) E2 ATLANTIS O2 CITY 2003 BENELUX YELLOW (CHOPO) E2 | 00G00037E321 00G00037F321 00G00037G321 00G00037I321 00G00037U320 00G00037X322 |
| 2 | ATLANTIS O2 CITY 2003 ESPAÑA AZUL (ALTRAMUZ) E2 ATLANTIS O2 CITY 2003 FRANCE DARK BLUE (ALTRAMUZ) E2 ATLANTIS O2 CITY 2003 ENGLAND DARK BLUE (ALTRAMUZ) E2 ATLANTIS O2 CITY 2003 ITALY DARK BLUE (ALTRAMUZ) E2 ATLANTIS O2 CITY 2003 AUSTRIA DARK BLUE (ALTRAMUZ) E2 ATLANTIS O2 CITY 2003 BENELUX DARK BLUE (ALTRAMUZ) E2 | 00G00037E343 00G00037F343 00G00037G343 00G00037I343 00G00037U340 00G00037X348 |
| 3 | ATLANTIS O2 CITY 2003 ESPAÑA AZUL (AZULEO) E2 ATLANTIS O2 CITY 2003 FRANCE LIGHT BLUE (AZULEO) E2 ATLANTIS O2 CITY 2003 ENGLAND LIGHT BLUE (AZULEO) E2 ATLANTIS O2 CITY 2003 ITALY LIGHT BLUE (AZULEO) E2 ATLANTIS O2 CITY 2003 AUSTRIA LIGHT BLUE (AZULEO) E2 ATLANTIS O2 CITY 2003 BENELUX LIGHT BLUE (AZULEO) E2 | 00G00037E344 00G00037F344 00G00037G344 00G00037I344 00G00037U341 00G00037X346 |
| 4 | ATLANTIS O2 CITY 2003 ESPAÑA GRIS (JARA) E2 ATLANTIS O2 CITY 2003 FRANCE GREY (JARA) E2 ATLANTIS O2 CITY 2003 ENGLAND GREY (JARA) E2 ATLANTIS O2 CITY 2003 ITALY GREY (JARA) E2 ATLANTIS O2 CITY 2003 AUSTRIA GREY (JARA) E2 ATLANTIS O2 CITY 2003 BENELUX GREY (JARA) E2 | 00G00037E372 00G00037F373 00G00037G372 00G00037I372 00G00037U370 00G00037X374 |
| 5 | ATLANTIS O2 CITY 2003 ESPAÑA NEGRO (OMBU) E2 ATLANTIS O2 CITY 2003 FRANCE BLACK (OMBU) E2 ATLANTIS O2 CITY 2003 ENGLAND BLACK (OMBU) E2 ATLANTIS O2 CITY 2003 ITALY BLACK (OMBU) E2 ATLANTIS O2 CITY 2003 AUSTRIA BLACK (OMBU) E2 ATLANTIS O2 CITY 2003 BENELUX BLACK (OMBU) E2 | 00G00037E382 00G00037F382 00G00037G382 00G00037I382 00G00037U380 00G00037X386 |
| 6 | ATLANTIS O2 CITY 2006 ESPAÑA AZUL (GREGORIO) E2 ATLANTIS O2 CITY 2006 FRANCE BLUE (GREGORIO) E2 ATLANTIS O2 CITY 2006 ENGLAND BLUE (GREGORIO) E2 ATLANTIS O2 CITY 2006 AUSTRIA BLUE (GREGORIO) E2 | E92G48E640 E92G48F640 E92G48G640 E92G48U640 |

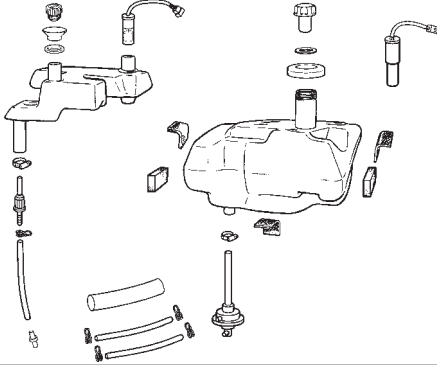
LAMINA / STAMPA / DIAGRAM / BILD / FEUILLE - 1



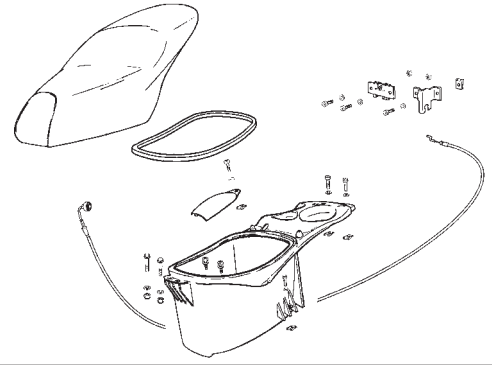
LAMINA / STAMPA / DIAGRAM / BILD / FEUILLE - 2



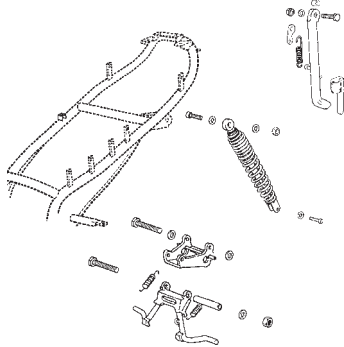
LAMINA / STAMPA / DIAGRAM / BILD / FEUILLE - 3



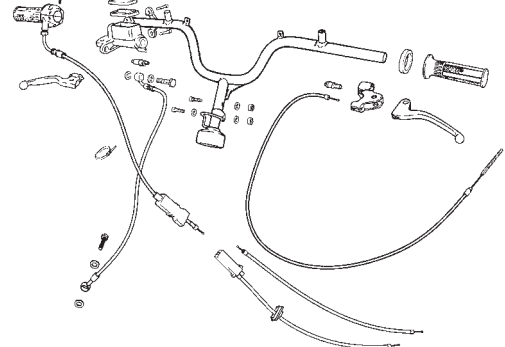
LAMINA / STAMPA / DIAGRAM / BILD / FEUILLE - 4



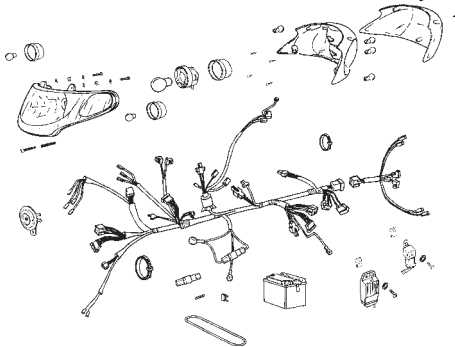
LAMINA / STAMPA / DIAGRAM / BILD / FEUILLE - 5



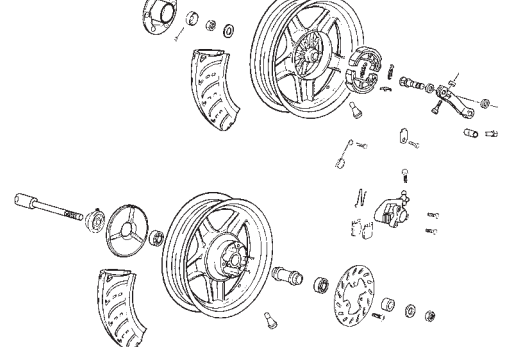
LAMINA / STAMPA / DIAGRAM / BILD / FEUILLE - 6



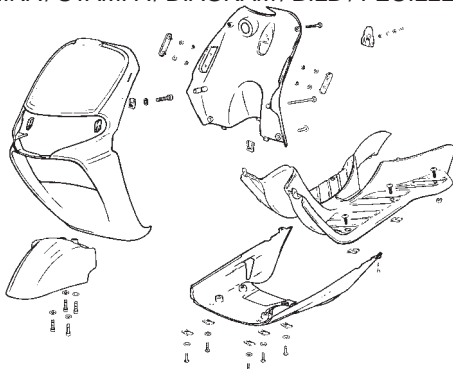
LAMINA / STAMPA / DIAGRAM / BILD / FEUILLE - 7



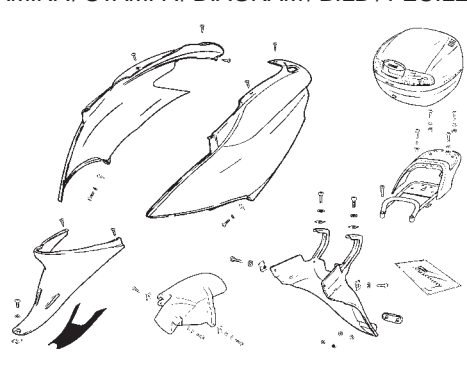
LAMINA / STAMPA / DIAGRAM / BILD / FEUILLE - 8



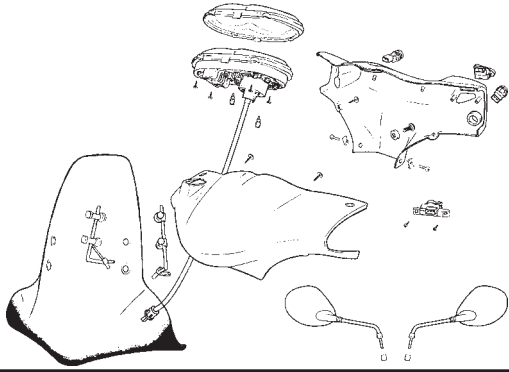
LAMINA / STAMPA / DIAGRAM / BILD / FEUILLE - 9



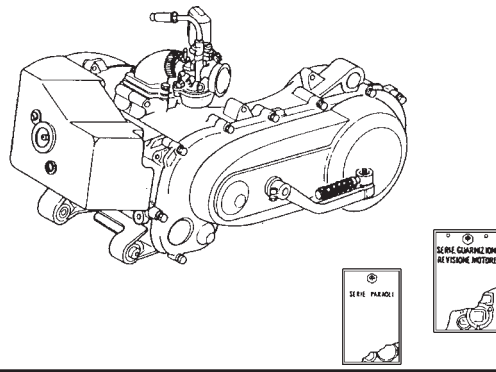
LAMINA / STAMPA / DIAGRAM / BILD / FEUILLE - 10



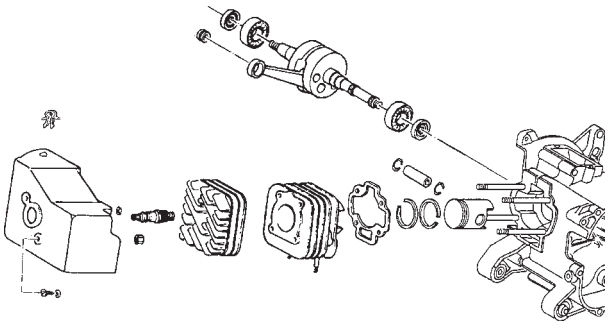
LAMINA / STAMPA / DIAGRAM / BILD / FEUILLE - 11



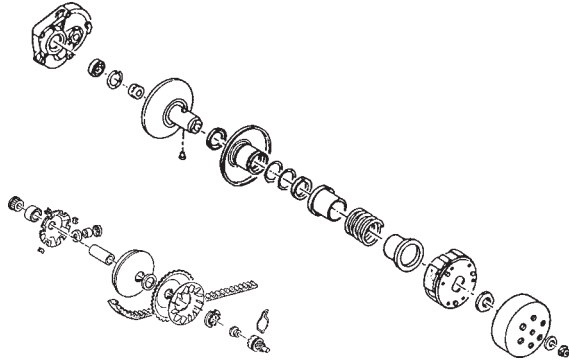
LAMINA / STAMPA / DIAGRAM / BILD / FEUILLE - 12



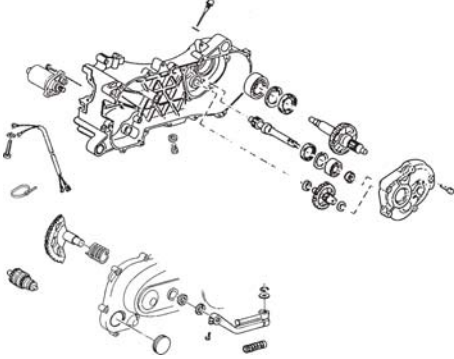
LAMINA / STAMPA / DIAGRAM / BILD / FEUILLE - 13



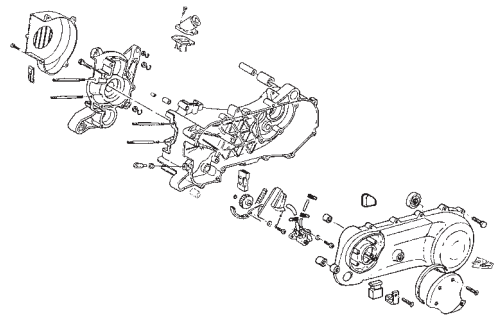
LAMINA / STAMPA / DIAGRAM / BILD / FEUILLE - 14



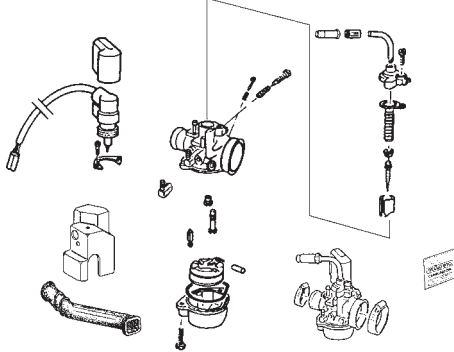
LAMINA / STAMPA / DIAGRAM / BILD / FEUILLE - 15



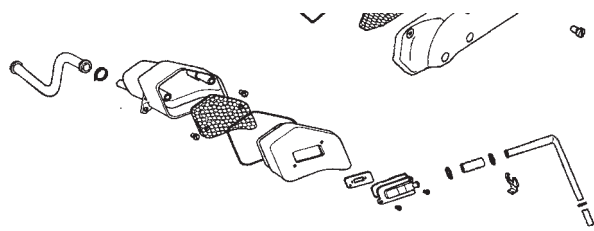
LAMINA / STAMPA / DIAGRAM / BILD / FEUILLE - 16



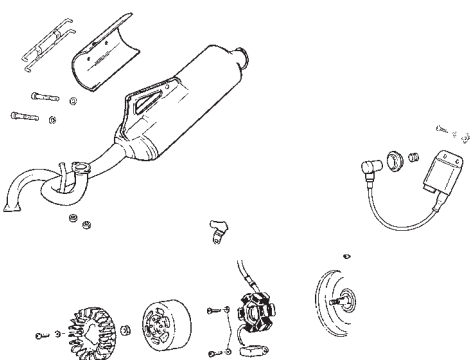
LAMINA / STAMPA / DIAGRAM / BILD / FEUILLE - 17



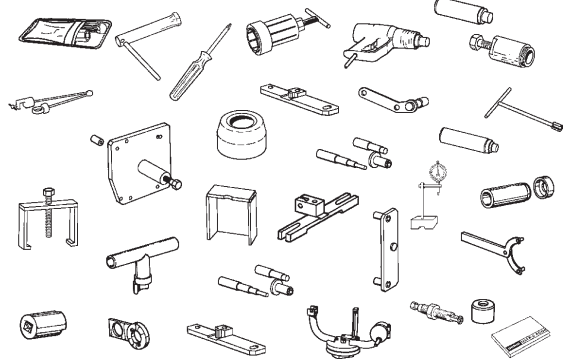
LAMINA / STAMPA / DIAGRAM / BILD / FEUILLE - 18

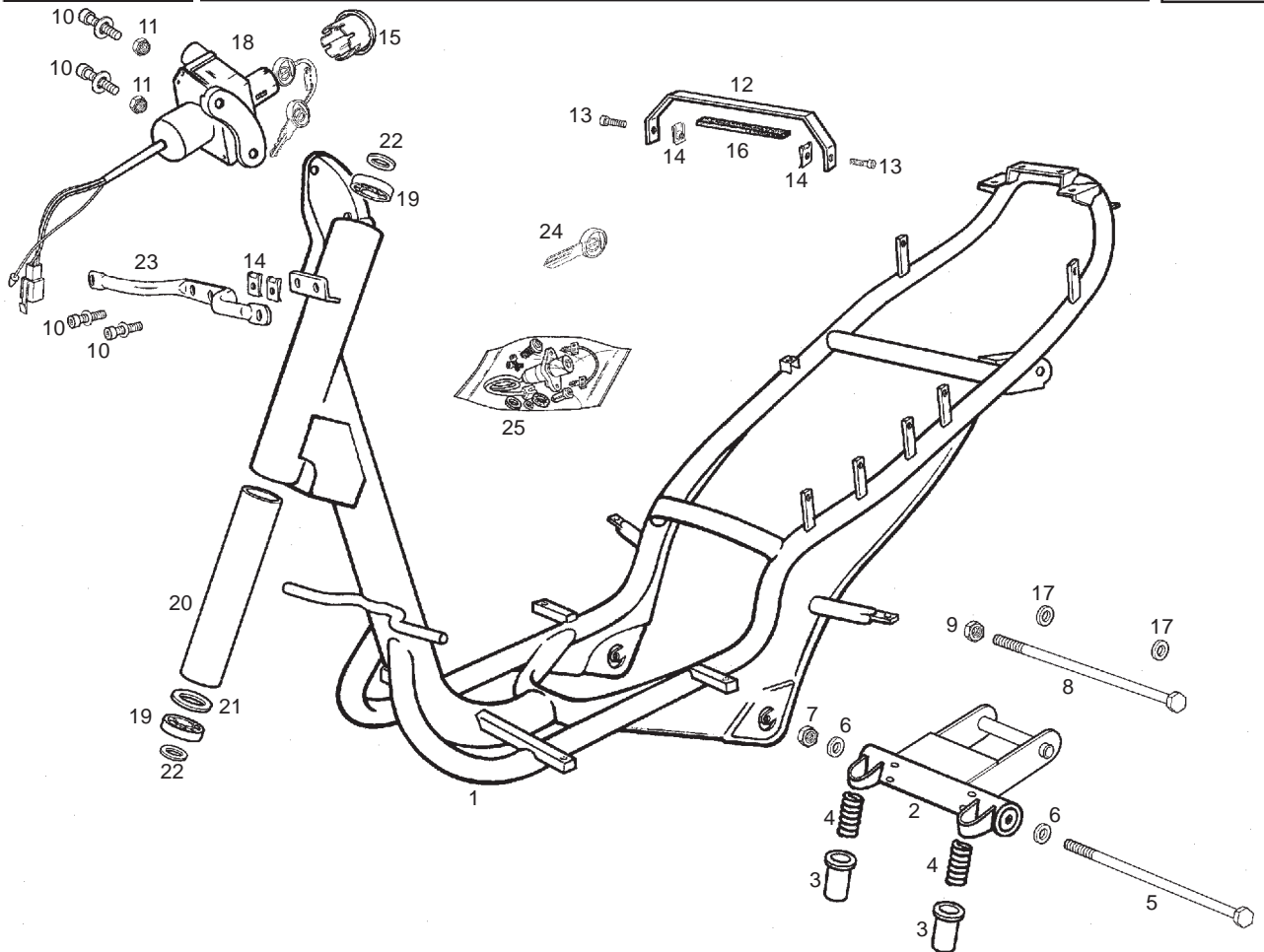


LAMINA / STAMPA / DIAGRAM / BILD / FEUILLE - 19

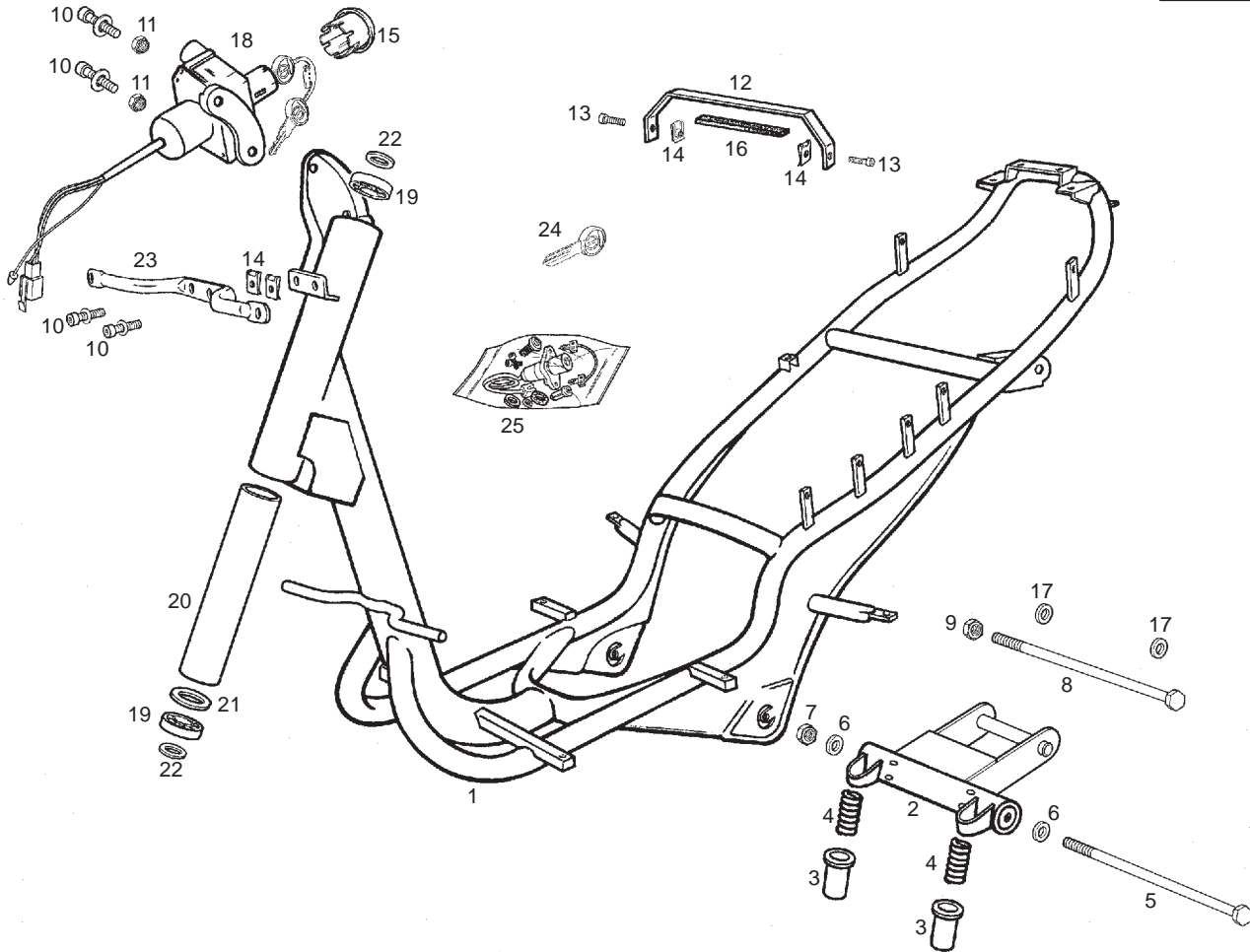


LAMINA / STAMPA / DIAGRAM / BILD / FEUILLE - 20

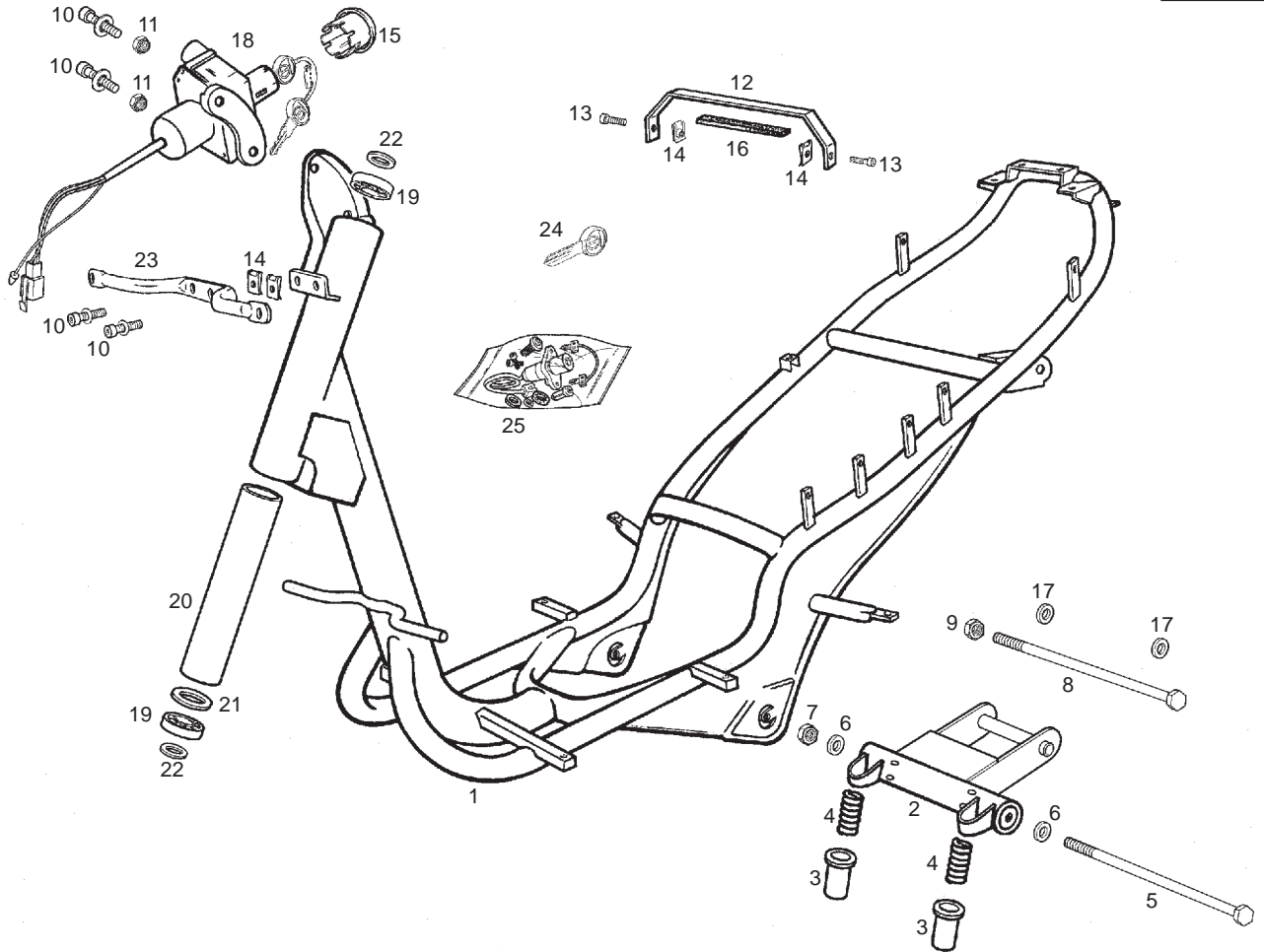




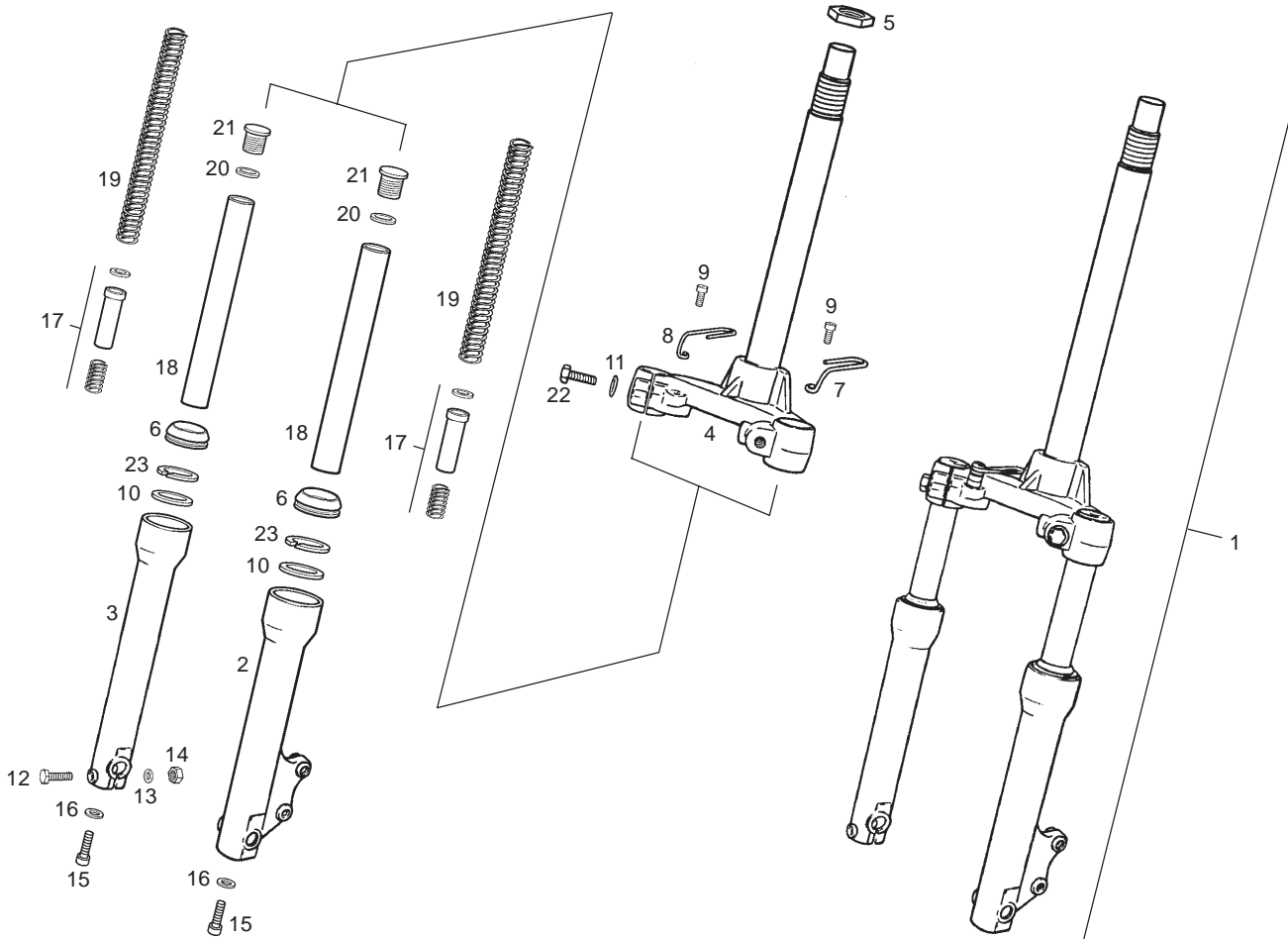
| Fig. | Ver. | COD. KOD. | DESCRIPCIÓN DENOMINAZIONE NAME | BEZEICHNUNG DESIGNATION | MOD. | NOTAS NOTES NOTA MITSCHRIFT NOTES |
|------|------|--------------|----------------------------------------------------------------------------------------------|---------------------------------------|------------|-----------------------------------------------|
| 01A | | 00G01925601 | R-SCTO.CUADRO C/COJIN.ATLANTIS TELAIO FRAME SUB-ASSEMBLY | RAHMEN CADRE COMPLET | 123 456 | |
| 02A | | 00G04805961 | CTO.SOPTE.MOTOR C/SILENT.ATLAN SUPPORTO MOTORE ENG BRCKT / RUBBER BUSH ASSY | MOTORHALTER MIT SILENTBL. SUPPORT | 123 456 | |
| 03A | | 00G06300571 | PROT.MUELLE.AMORTG.SOPTE.MT PROTEZIONE MOLLA ENG BRCKT SHCK ABSRBR SPRG | FEDERSCHUTZ MOTORHALTER PROTECTEUR | 123 456 | |
| 04A | | 00G01501511 | MUELLE AMORTIGD.SOPTE.MOTOR MOLLA AMMORTIZZATORE SUPPORTO ENG BRCKT SHCK ABSRBR SPRING | FEDER MOTORHALTER RESSORT | 123 456 | |
| 05A | | 00G03001271 | TORNILLO FIJ.MOTOR VITE SCREW | SCHRAUBE VIS | 123 456 | |
| 06A | | 00000031100 | ARANDELA PLANA D.10 RONDELLA WASHER | SCHEIBE RONDELLE | 123 456 | |
| 07A | | 00000023100 | TUERCA AUTOBLOC.10M150 DADO NUT | MUTTER ECROU | 123 456 | |
| 08A | | 00G02500271 | TORNILLO C/EXAG. 10M150X205 VITE SCREW | SCHRAUBE VIS | 123 456 | |
| 09A | | 00262100032 | TUERCA DADO NUT | MUTTER ECROU | 123 456 | |
| 10A | | 00D05900081 | SCTO TORNILLO 6M100X16 NG VITE SCREW | SCHRAUBE VIS | 123 456 | |
| 11A | | 00000023060 | TUERCA AUTOBLOC. 6M100 DADO NUT | MUTTER ECROU | 123 456 | |



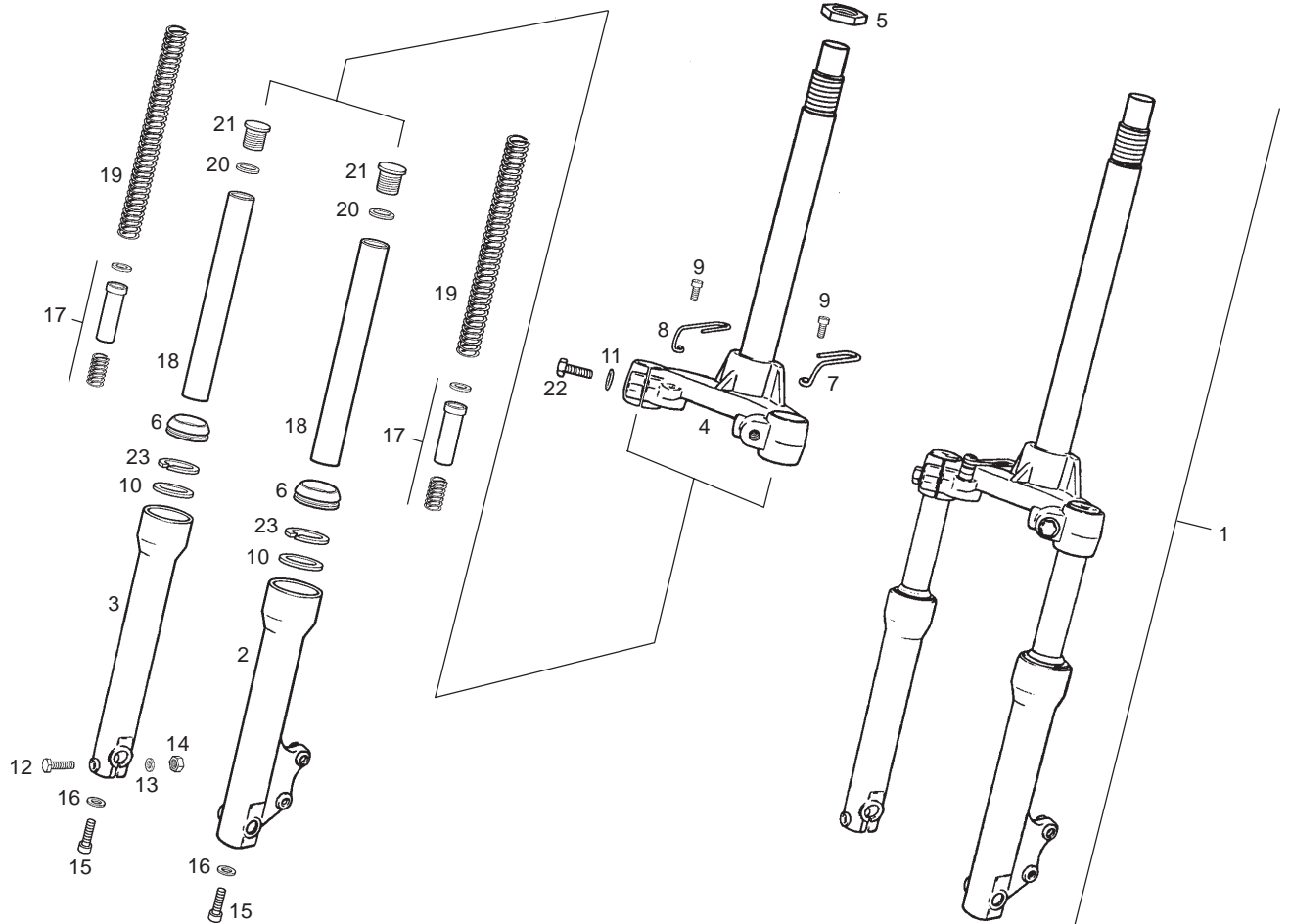
| Fig. | Ver. | COD. KOD. | DESCRIPCIÓN DENOMINAZIONE NAME | BEZEICHNUNG DESIGNATION | MOD. | NOTAS NOTES NOTA MITSCHRIFT NOTES |
|------|------|-------------|-------------------------------------------------------------------------------------|-------------------------------------------------|------------|-----------------------------------|
| 12A | | 00G01403301 | BRIDA FIJ.DEPOSITOS ATLANTIS TRAVE FISSAGGIO REAR CARRIER SECURING FRAME | BEFEST.-BRUECKE GEPAECKTRAEGER BRIDE | 123 456 | |
| 13A | | 00000004615 | TORNILLO C/ALLEN 6M100X15 VITE SCREW | SCHRAUBE VIS | 123 456 | |
| 14A | | 00D01501371 | TUERCA FIJ. CUBRECADENA DADO NUT | MUTTER ECROU | 123 456 | |
| 15A | | 00G01500021 | R-INDICADOR POSICION LLAVE CERR. MASCHARINA DIRECTION INDICATOR | ANZEIGEND INDIQUER | 123 456 | |
| 16A | | 00G06200151 | TOPE DEPOSITO ACEITE ATLANTIS FERMO SERBATOIO OLIO OIL TANK STOP | ANSCHLAG BUTEE | 123 456 | |
| 17A | | 00402100001 | ARANDELA RONDELLA WASHER | SCHEIBE RONDELLE | 123 456 | |
| 18A | | 00G05900331 | R-CTO. CERRAD. CONTACTO INTERRUPTORE ACCENSIONE IGNITION SWITCH | SCHALTER INTERRUPTEUR POUR ALLUM. | 123 456 | |
| 19A | | 00057000500 | COJINETE CUSCINETTO BEARING | LAGER ROULEMENT | 123 456 | |
| 20A | | 00G06302401 | TUBO SEP. ROD DIRECC. STEERINGBEARING SEPARATOR BUSH TUBO SEPARATORE CUSCINETTO A S | TRENNROHR LENKUNG TUBE SEP. ROULEMENT DIRECTION | 123 456 | |
| 21A | | 00G06500451 | ARANDELA COJIN.TUBO DIREC. RONDELLA WASHER | SCHEIBE RONDELLE | 123 456 | |
| 22A | | 00008902630 | ARANDELA TAPON TUBO PNA. RONDELLA WASHER | SCHEIBE RONDELLE | 123 456 | |



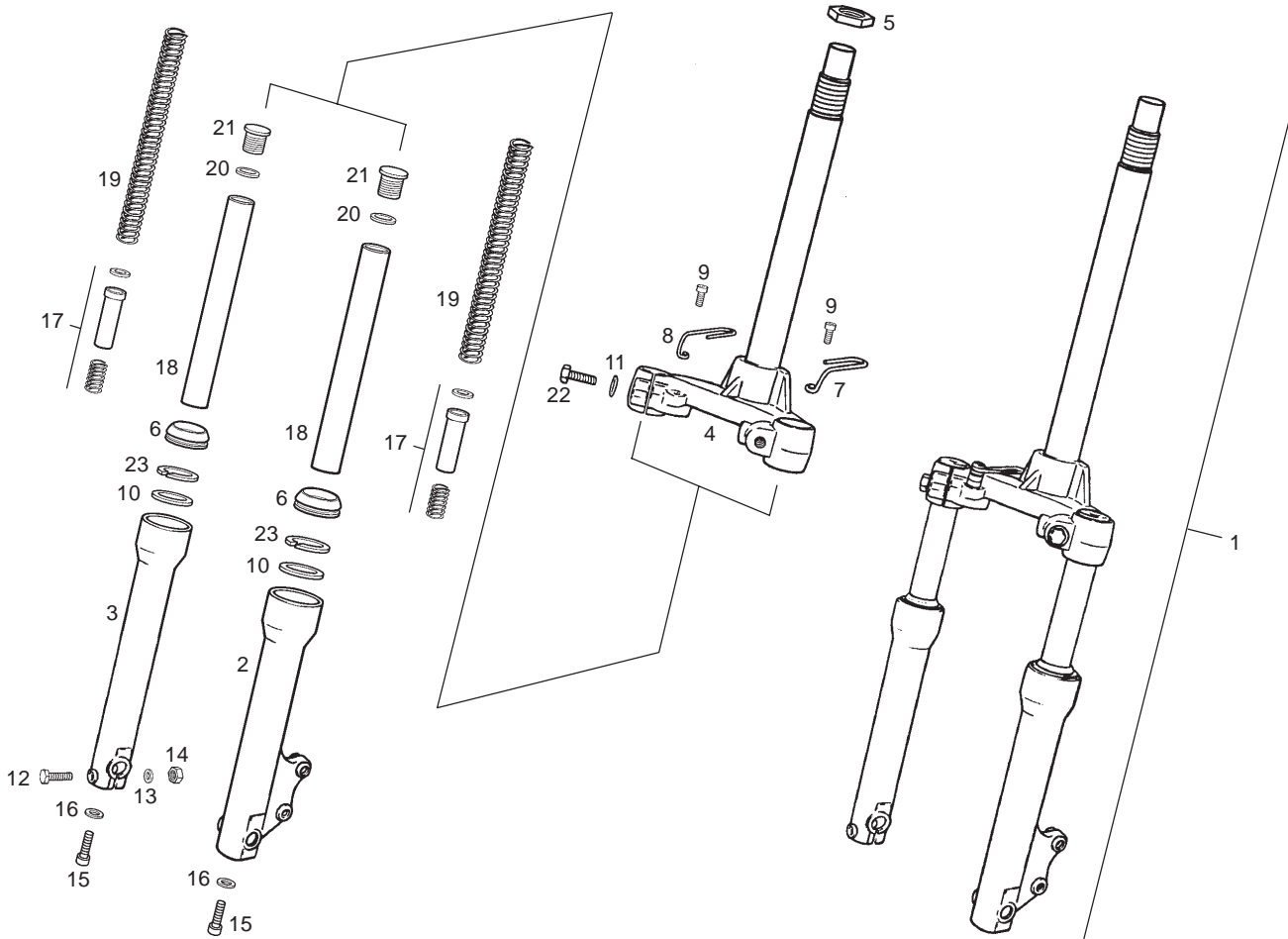
| Fig. | Ver. | COD. KOD. | DESCRIPCIÓN DENOMINAZIONE NAME | BEZEICHNUNG DESIGNATION | MOD. | NOTAS NOTES NOTA MITSCHRIFT NOTES |
|------|------|--------------|-------------------------------------------------------------|----------------------------------|------------|-----------------------------------------------|
| 23A | | 00G04802891 | SOPORTE ESCUDO FRONTAL SUPPORTO SUPPORT | HALTER SUPPORT | 123 456 | |
| 24A | | 00F01810411 | R-LLAVE CERRADURA LOCK KEYS CHIAVE | CLEF SCHLUSSEL | 123 456 | |
| 25A | | 00G05903251 | CTO. KIT CERRADURAS ATLANTIS SERRATURE LOCK WITH KEYS | SCHLOOS-SATZ ENS.KIT SERRURES | 123 456 | |



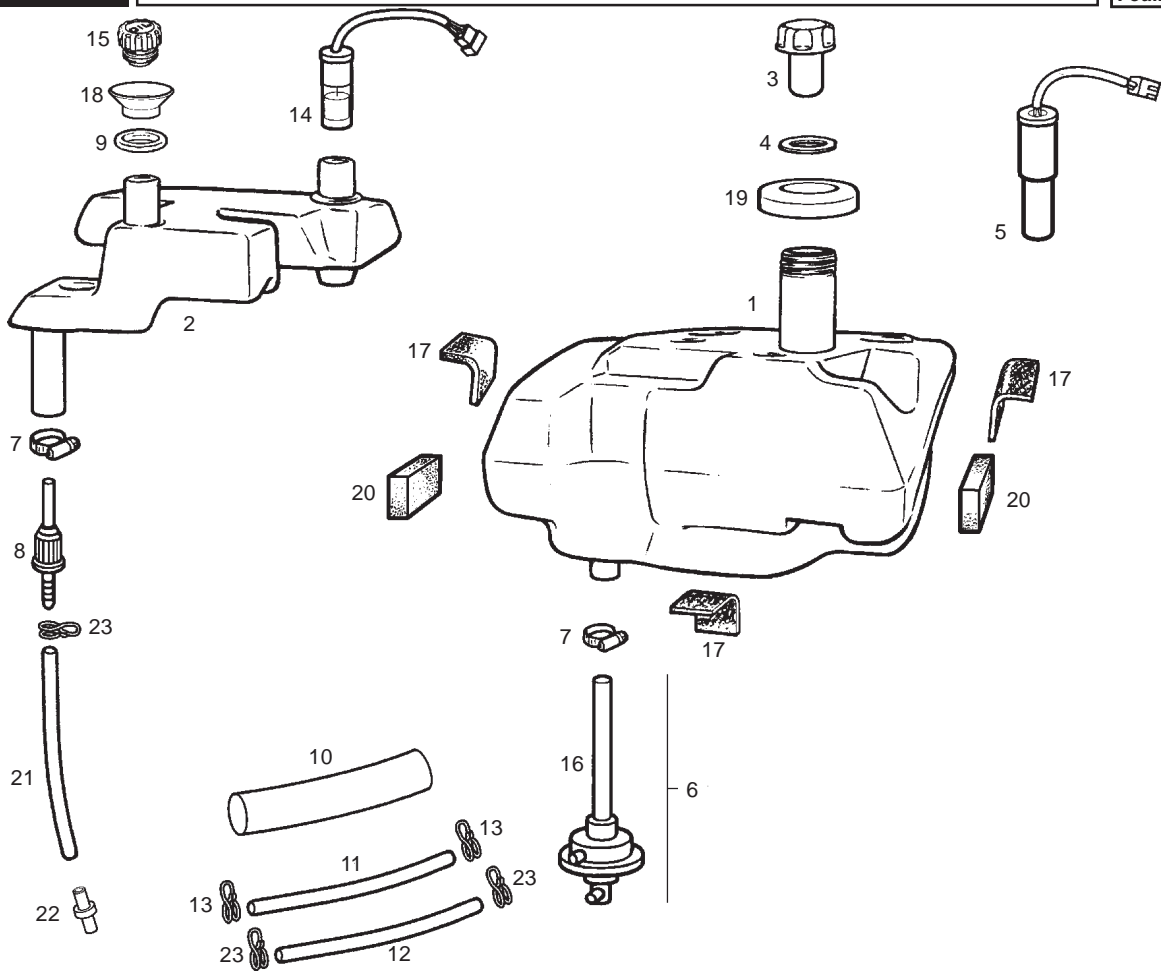
| Fig. | Ver. | COD. KOD. | DESCRIPCIÓN DENOMINAZIONE NAME | BEZEICHNUNG DESIGNATION | MOD. | NOTAS NOTES NOTA MITSCHRIFT NOTES |
|------|------|-------------|----------------------------------------------------------------------------------------------------|-------------------------------------------------------------|------------|-----------------------------------|
| 01A | | 00G00208001 | CTO.HORQ.DIRECTRIZ ATLANTIS FORCELLA DIRECTRICE FRONT FORK ASSY | GABEL KOMPL. ENS.FOURCHE DIRECTRICE | 123 456 | |
| 02A | | 00G00202121 | PIERNA IZ.HORQUILLA ATLANTIS GAMBA SINISTRA LEFT FORK BAR ASSY | GABELBEIN LI. FOURREAU DE FOURCHE G. | 123 456 | |
| 03A | | 00G00202131 | PIERNA DR.HORQUILLA ATLANTIS GAMBA DESTRA RIGHT FORK BAR ASSY | GABELBEIN RE. FOURREAU DE FOURCHE DR. | 123 456 | |
| 04A | | 00G00205011 | R-SCTO.TIJA PLAT.ATLANTIS CANNELLO FLANGIA LOWER TRIPLE CLAMP, W/PIN ASS | SATTELSTANGE-PLATTE SOUS-ENS. TIGE PLATINE | 123 456 | |
| 05A | | 00G00200111 | TUERCA FIJ.TIJA. DADO NUT | MUTTER ECROU | 123 456 | |
| 06A | | 00G00203231 | GUARDAPOLVO HORQUILLA ATLANTIS PARAPOLVERE FORCELLA FORK DUST GUARD | STAUBSCHUTZ F. GABEL CACHE-POUSSIÈRE FOURCHE | 123 456 | |
| 07A | | 00G00900521 | MUELLE GUIA TUBO LIQ.FR.DT.ATL MOLLA GUIDA CABLE SLEEVE GUID. | FEDER F.KABELFUEHRUNG RES.GUIDE CABLE | 123 456 | |
| 08A | | 00G01502381 | MUELLE GUIA CABLE CT.KMS.ATLAN MOLLA GUIDA CAVO CONTACHILOME. SPEEDOMETER CABLE SLEEVE GUID. | FEDER F.KABELFUEHRUNG KILOMET. RES.GUIDE CABLE COMT.KMS. | 123 456 | |
| 09A | | 00000004610 | TORNILLO C/ALLEN.6M100X10 VITE SCREW | SCHRAUBE VIS | 123 456 | |
| 10A | | 00G00202471 | R-RETEN PNA. HORQ. ATLANTIS GIUNTO TENUTA GAMBA DESTRA LOWER FORK TUBE SEAL | KLINKE F. GABELBEIN R-ANNEAU FOURREAU FOURCHE | 123 456 | |



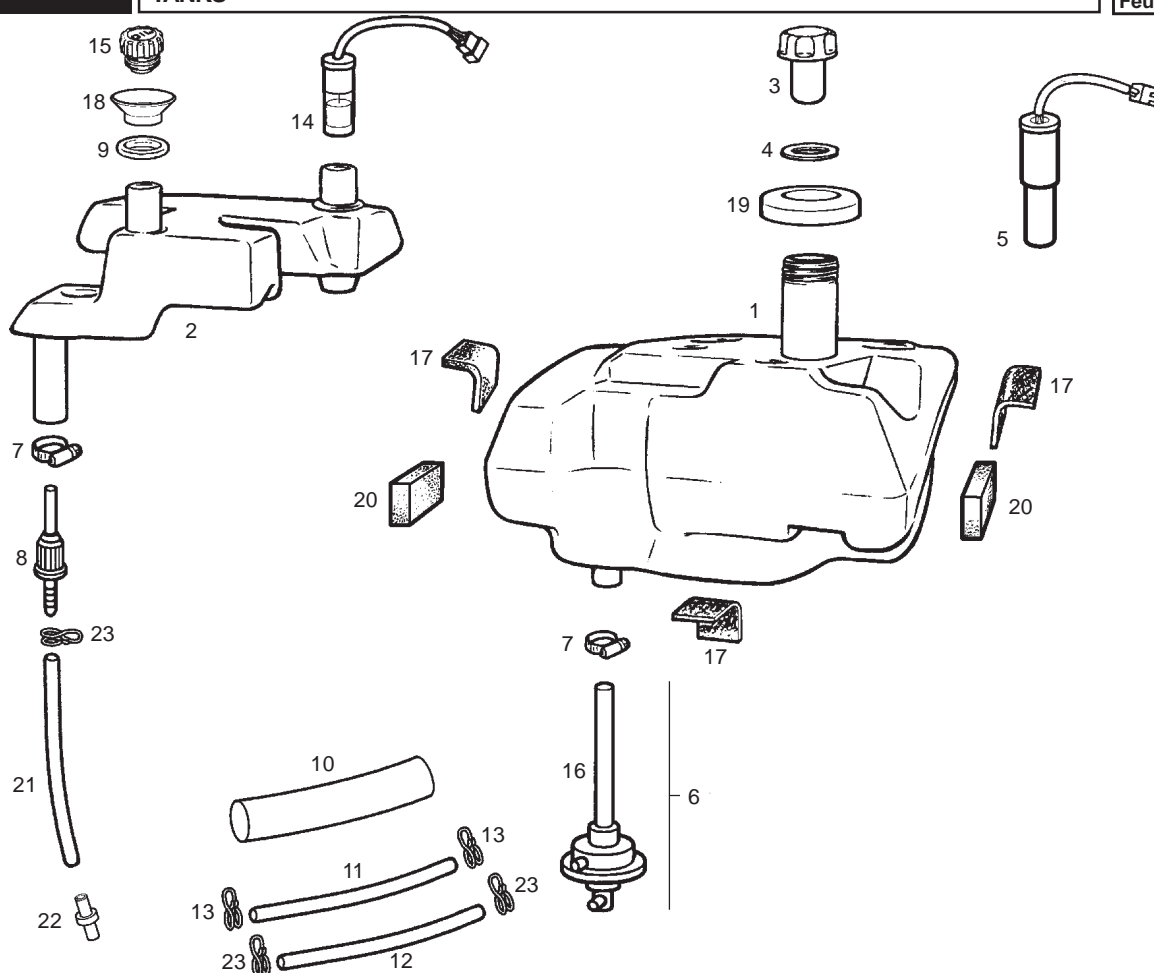
| Fig. | Ver. | COD. KOD. | DESCRIPCIÓN DENOMINAZIONE NAME | BEZEICHNUNG DESIGNATION | MOD. | NOTAS NOTES NOTA MITSCHRIFT NOTES |
|------|------|-------------|-------------------------------------------------------------------------|------------------------------------------|------------|-----------------------------------|
| 11A | | 00000031100 | ARANDELA PLANA D.10. RONDELLA WASHER | SCHEIBE RONDELLE | 123 456 | |
| 12A | | 00000002850 | TORNILLO C/EXAG. 8M125X50. VITE SCREW | SCHRAUBE VIS | 123 456 | |
| 13A | | 00000031080 | ARANDELA PLANA MECANIZ.D.8 RONDELLA WASHER | SCHEIBE RONDELLE | 123 456 | |
| 14A | | 00000023080 | TUERCA AUTOBLOC. 8M125 DADO NUT | MUTTER ECROU | 123 456 | |
| 15A | | 00002112500 | TORNILLO C/EXAG.10M100X25 VITE SCREW | SCHRAUBE VIS | 123 456 | |
| 16A | | 00G00201281 | R-ARAND. INT. PNA. HORQ. ATLANTIS RONDELLA DE GAMBA WASHER | SCHEIBE RONDELLE | 123 456 | |
| 17A | | 00G00201531 | R-CTO. TUBO HIDRAUL. ATLANTIS TUBO IDRAULICO DAMPER TUBE ASSY | HYDRAULIKROHR R-ENSEMBLE TUBE HYDRAU. | 123 456 | |
| 18A | | 00G00201191 | TUBO PRINCIPAL HORQ. ATLANTIS TUBO PRINCIPALE FORK TUBE, UPPER | HAUPTROHR TUBE DE FOURCHE | 123 456 | |
| 19A | | 00G00204171 | R-MUELLE HORQUILLA ATLANTIS MOLLA FORCELLA FORK SPRING | GABELBEINFEDER R-RESSORT FOURCHE | 123 456 | |
| 20A | | 00G00202441 | R-ANILLO FIJ. BARRA HORQ. ATLANTIS SCODELLINO FISSAGGIO ASSE RACE | STICHBLATT AM DEGEN CUVETTE | 123 456 | |



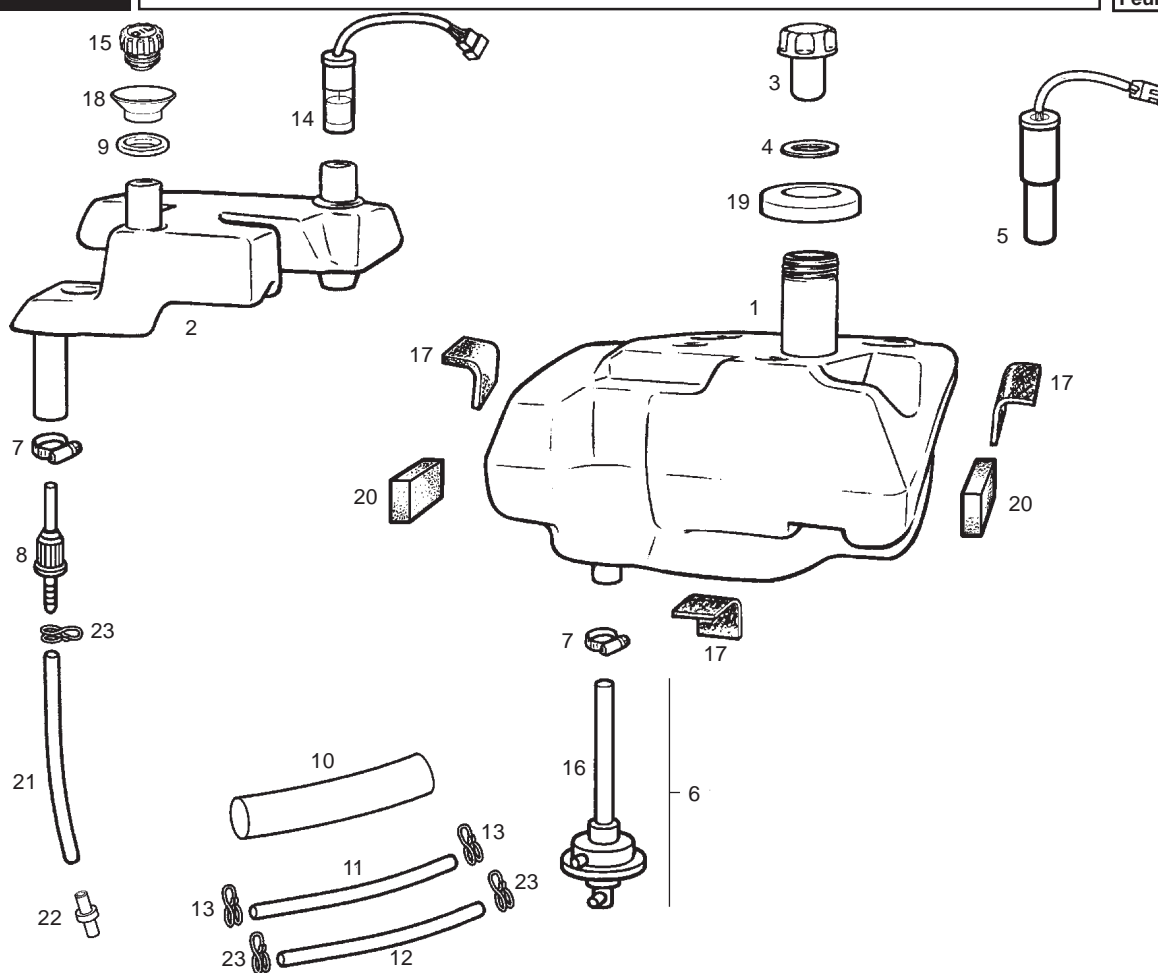
| Fig. | Ver. | COD. KOD. | DESCRIPCIÓN DENOMINAZIONE NAME | BEZEICHNUNG DESIGNATION | MOD. | NOTAS NOTES NOTA MITSCHRIFT NOTES |
|------|------|-------------|-------------------------------------------------------------------------------------------|--------------------------------------------------------|------------|-----------------------------------|
| 21A | | 00G02001541 | R-TAPON EXT. PNA. HORQ. ATLANTIS TAPPO ESTER. GAMBA FORCELLA EXTERIOR FORK TUBE CAP | AUSSENDECKEL GABELBEIN R-BOUCHON EXT. FOUR. FOURCHE | 123 456 | |
| 22A | | 00002113500 | TORNILLO C/EXAG.10M125X35 VITE SCREW | SCHRAUBE VIS | 123 456 | |
| 23A | | 00G00200701 | R- ANILLO RETENC. ACEITE ATLANTIS ANELLO RING | DICHTRING JOINT D'ARRET | 123 456 | |



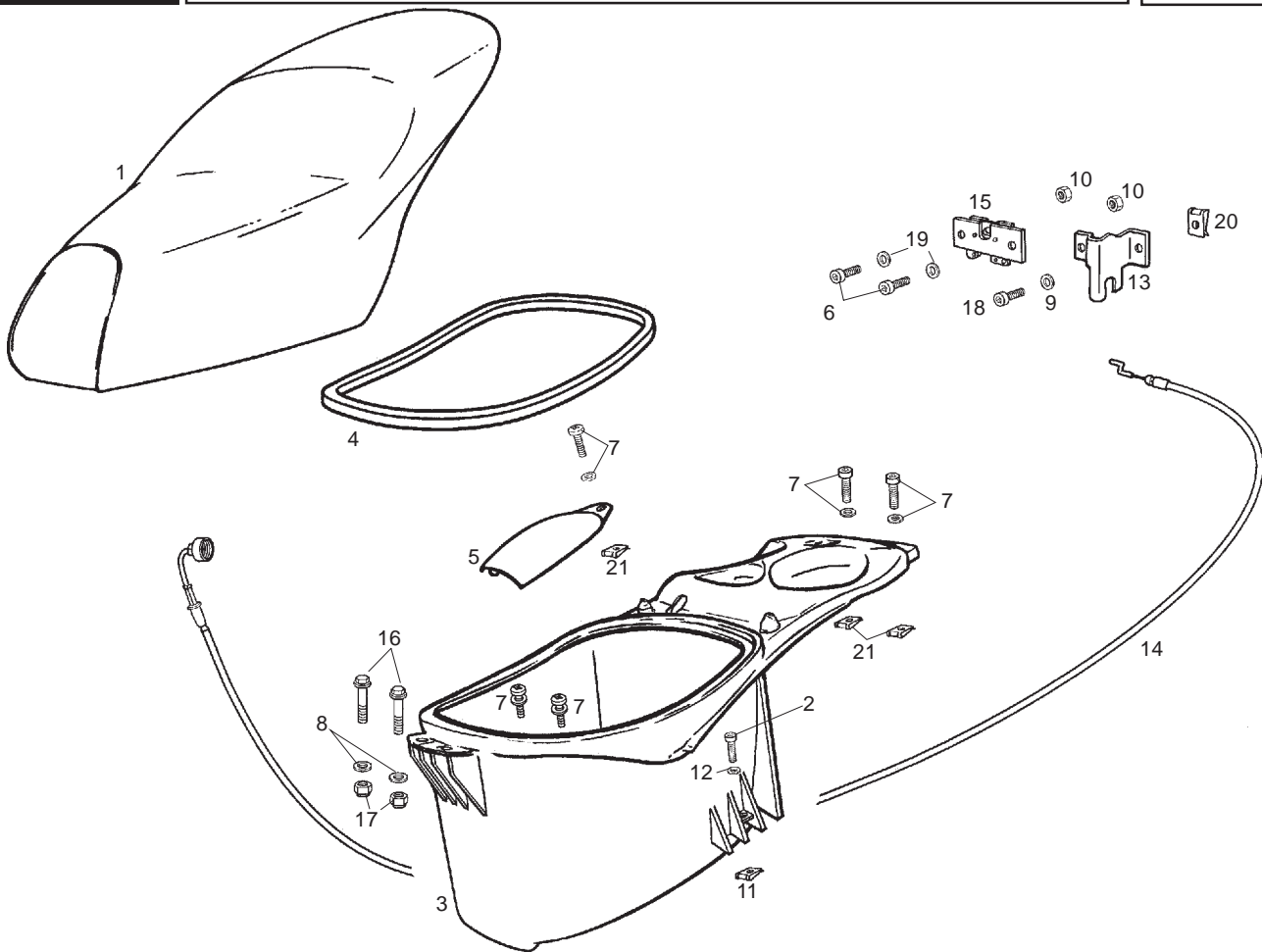
| Fig. | Ver. | COD. KOD. | DESCRIPCIÓN DENOMINAZIONE NAME | BEZEICHNUNG DESIGNATION | MOD. | NOTAS NOTES NOTA MITSCHRIFT NOTES |
|------|------|-------------|-------------------------------------------------------------------------------------------------|-------------------------------------------------------|------------|-----------------------------------------------|
| 01A | | 00G00411011 | DEPOSITO GASOLINA SERBATOIO BENZINA FUEL TANK | BENZINTANK RESERVOIR ESSENCE | 123 456 | |
| 02A | | 00G03702081 | DEPOSITO ACEITE ATLANTIS SERBATOIO OLIO OIL RESERVOIR HUNTER | OELTANK RESERVOIR HUILE | 123 456 | |
| 03A | | 00F00400131 | CTO.TAPON DEPTO.GASOLINA V.BOX TAPPO SERBATOIO BENZINA FUEL TANK CAP ASSY | TANKDECKEL ENS.BOUCHON RESERV.ESSENCE V.B | 123 456 | |
| 04A | | 00F00400771 | R-ARAND.TAPON DEPOSITO RONDELLA TAPPO SERBATOIO FUEL TANK CAP WASHER | SCHEIBE F. TANKDECKEL R-RONDELLE BOUCHON RESERVOIR | 123 456 | |
| 05A | | 00G04307181 | CTO. SONDA GASOLINA GALLEGGIANTE BENZINA FUEL LEVEL FLOAT ASSY | BENZINSTANDGEBER ENSEMBLE FLOTTEUR ESSENCE | 123 456 | |
| 06A | | 00G00400181 | CTO.GRIFO GASOLINA. RUBINETTO BENZINA FUEL COCK ASSY | KRAFTSTOFFHAHN UNTERDRUCK ENSEMBLE ROBINET ESSENCE | 123 456 | |
| 07A | | 00G00400501 | ABRAZADERA FASCETTA CLAMP | SHELLE COLLIER | 123 456 | |
| 08A | | 00G03700411 | CTO.FILTRO ACEITE. FILTRO OLIO OIL FILTER ASSY | OELFILTER ENSEMBLE FILTRE A HUILE | 123 456 | |
| 09A | | 00G06800641 | ARANDELA BOCA DPSTO.ACEITE RONDELLA WASHER | SCHEIBE RONDELLE | 123 456 | |
| 10A | | 00G03700351 | MANGUITO UNION TUB.ACTE.ATLANT MANICOTTO UNIONE TUBO OLIO 74/ OIL PIPE COUPLING CONNECTOR | VERBINDUNG MANCHON RACCORD TUYEAU D'HUILE | 123 456 | |



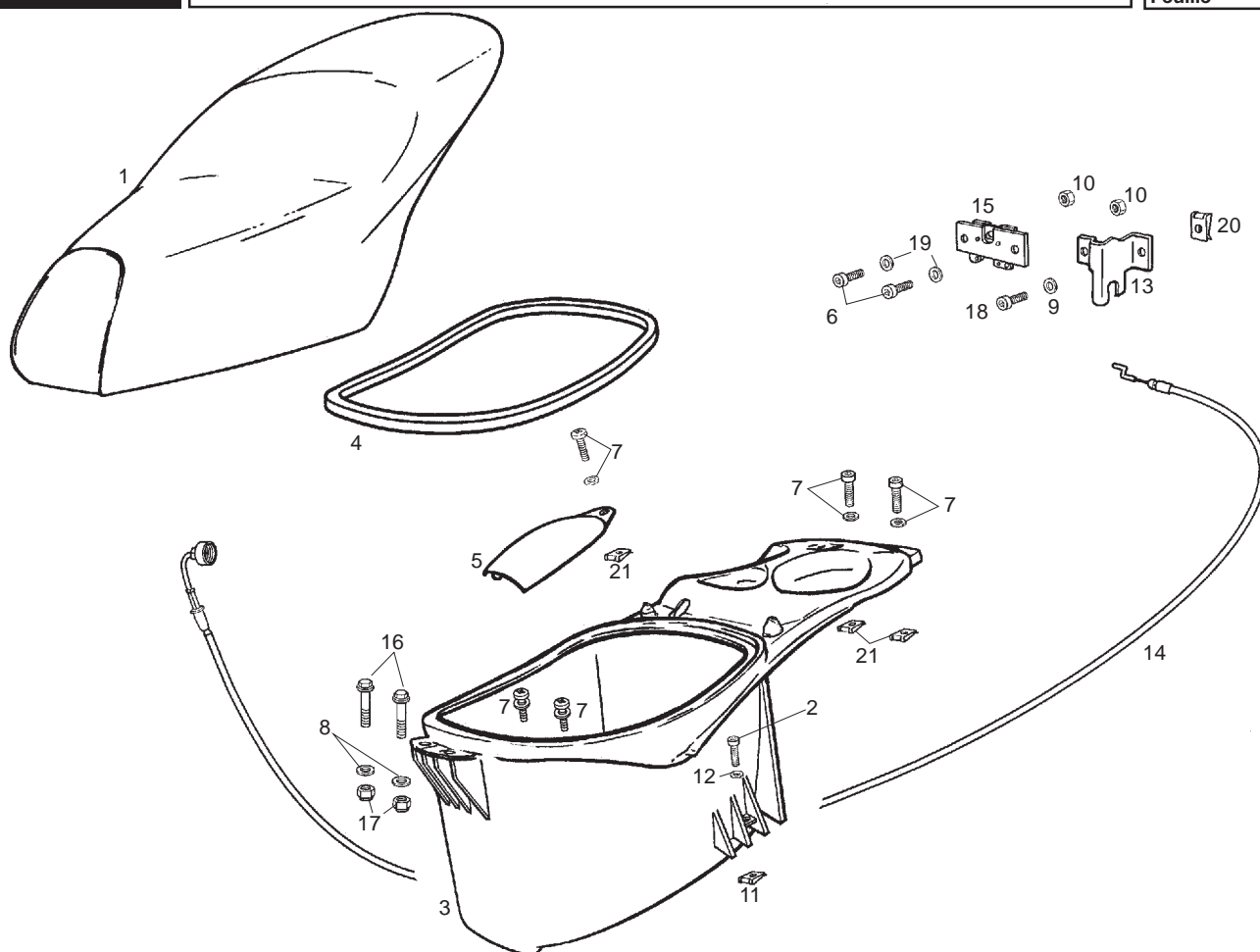
| Fig. | Ver. | COD. KOD. | DESCRIPCIÓN DENOMINAZIONE NAME | BEZEICHNUNG DESIGNATION | MOD. | NOTAS NOTES NOTA MITSCHRIFT NOTES |
|------|------|--------------|----------------------------------------------------------------------------------------|-------------------------------------------------------------|------------|-----------------------------------------------|
| 11A | | 00F00409321 | TUBO GASOLINA GRIFO-CARB.ATL. TUBO TUBE | SCHLAUCH TUYAU | 123 456 | |
| 12A | | 00G06203061 | TUBO DEPRESION GASOL.HUNTER TUBO DEPRESSIONE BENZINA FUEL COCK VACUUM TUBE | KRAFTSTOFF TUYAU | 123 456 | |
| 13A | | 00D03700131 | ABRAZADERA FASCETTA CLAMP | SHELLE COLLIER | 123 456 | |
| 14A | | 00G03706051 | CTO.INDICAD.NIVEL ACEITE ATLAN INDICATORE LIVELLO OIL LEVEL INDICATOR ASSY | OELSTANDANZEIGER ENSEMBLE JAUGE D'HUILE | 123 456 | |
| 15A | | 00F03710241 | CTO.TAPON DEPTO.ACTE.SCO/90. TAPPO SERBATOIO OLIO OIL RESERVOIR FILLER PLUG ASSY | STOPFEN OELTANK ENS. BOUCHON RESERV.HUILE SCO/ | 123 456 | |
| 16A | | 00H00400371 | TUBO DEPSTO.GAS.A GRIFO.GPR-75 TUBO SERBATOIO BENZINA FUEL TANK/FUEL COCK TUBE | SCHLAUCH TANK-HAHN GPR-75 TUYAU RESERVOIR ESSENCE A ROBI | 123 456 | |
| 17A | | 00G06200081 | TOPE INF.DEPOSITO HUNTER FERMO INFERIORE SERBATOIO LOWER TANK STOP | ANSCHLAG UNTEN F. TANK BUTEE INF. RESERVOIR | 123 456 | |
| 18A | | 00G03702601 | BOCA ENTRADA ACEITE.ATLANTIS IMBOCCO INGRESSO OLIO OIL INTAKE | OEL-EINFEULLSTUTZEN ENTRÉE D'HUILE | 123 456 | |
| 19A | | 00G06200051 | JUNTA BOCA DEP. GASOLINA GUARNIZIONE GASKET | FUGUNS JOINT | 123 456 | |
| 20A | | 00G06301771 | TOPE LATERAL DESPOSITO FERMO LATERALE SERBATOIO FUEL TANK SIDE STOP | ANSCHLAG TANK BUTEE RESERVOIR | 123 456 | |



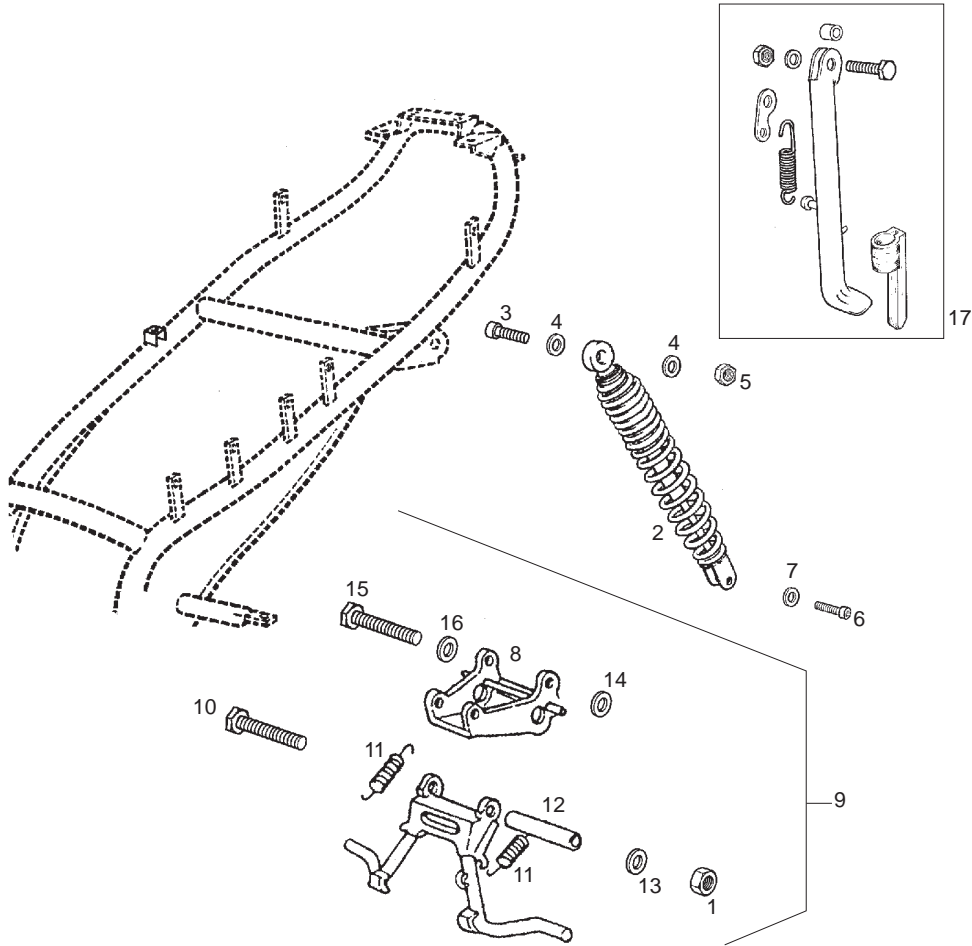
| Fig. | Ver. | COD. KOD. | DESCRIPCIÓN DENOMINAZIONE NAME | BEZEICHNUNG DESIGNATION | MOD. | NOTAS NOTES NOTA MITSCHRIFT NOTES |
|------|------|-------------|---------------------------------|-------------------------|------------|-----------------------------------|
| 21A | | 00G00400321 | TUBO TUBO TUBE | SCHLAUCH TUYAU | 123 456 | |
| 22A | | 00G03701031 | RACORD RACORD RACORD | STUTZEN RECCORD | 123 456 | |
| 23A | | 00H00400501 | ABRAZADERA FASCETTA CLAMP | SHELLE COLLIER | 123 456 | |



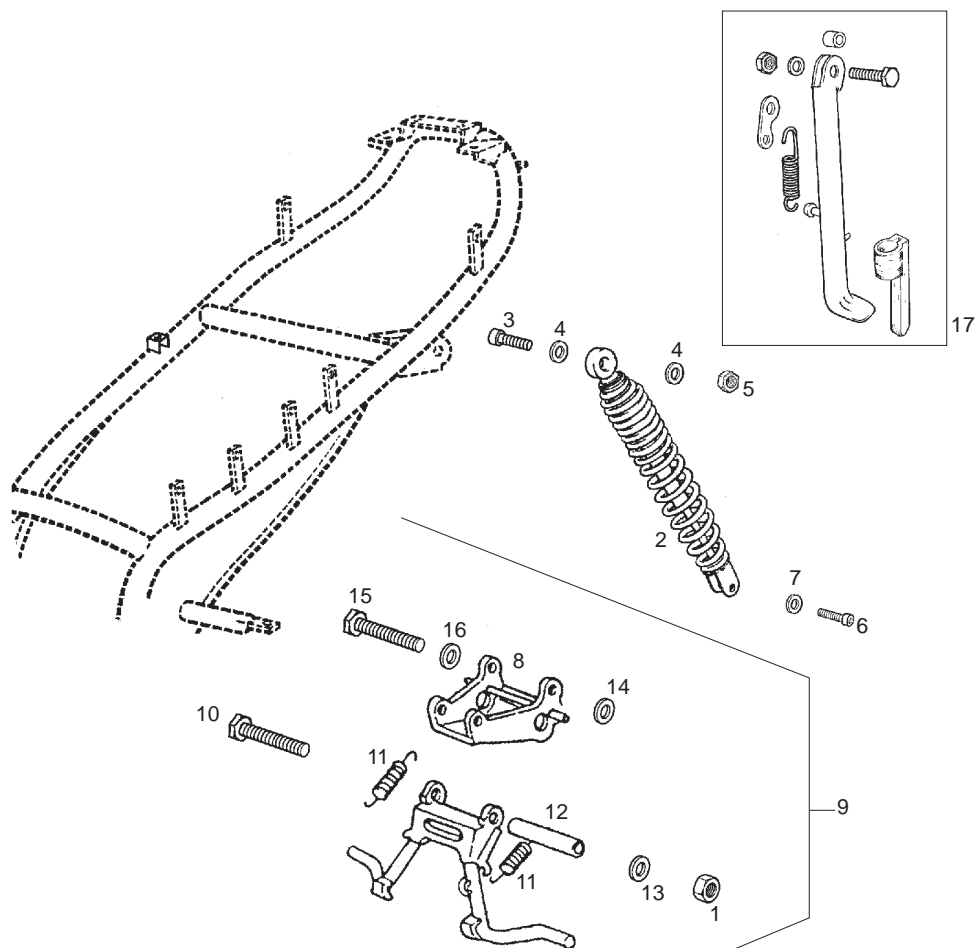
| Fig. | Ver. | COD. KOD. | DESCRIPCIÓN DENOMINAZIONE NAME | BEZEICHNUNG DESIGNATION | MOD. | NOTAS NOTES NOTA MITSCHRIFT NOTES |
|------|------|-------------|---------------------------------------------------------------------------------------|-----------------------------------------------|------------|-----------------------------------|
| 01A | | 00G00623014 | CTO SILLIN ATLANTIS O2 CITY SELLA SADDLE ASSY | SITZ ENSEMBLE SELLE | 123 456 | |
| 02A | | 00000004515 | TORNILLO C/ALLEN 5M80X15 VITE SCREW | SCHRAUBE VIS | 123 456 | |
| 03A | | 00G06306721 | CTO.PORTACASCO C/PERFIL. PORTA-ELMO TRUNK | HELMFACH ENSEMB.PORTE-CASQUE AVEC PROF. | 123 456 | |
| 04A | | 00G06301551 | PERFIL PORTACASCO. VANO CASCO HELMET BOX RUBBER SEAL PROT. | DICHTGUMMI HELMTRAEGER PROFIL PORTE-CASQUE | 123 456 | |
| 05A | | 00G01800221 | TAPA ACCESO CARBURAD.GR.PART. COPERCHIO REGISTRO CARBURATORE CARBURETTOR ACCESS COVER | VERGASERDECKEL COUVERCLE ACCES CARBURATEUR HT | 123 456 | |
| 06A | | 00002052051 | TORNILLO 5M80X20 Zn.B VITE SCREW | SCHRAUBE VIS | 123 456 | |
| 07A | | 00F05900041 | SCTO TORNILLO 6M100X16 NG VITE SCREW | SCHRAUBE VIS | 123 456 | |
| 08A | | 00000031060 | ARANDELA RONDELLA WASHER | SCHEIBE RONDELLE | 123 456 | |
| 09A | | 00H03800722 | ARANDELA ZnB RONDELLA WASHER | SCHEIBE RONDELLE | 123 456 | |
| 10A | | 00000023051 | TUERCA AUTOBLOCANTE 5M80 DADO NUT | MUTTER ECROU | 123 456 | |
| 11A | | 00G04401462 | TUERCA FIJACION D5 DADO NUT | MUTTER ECROU | 123 456 | |



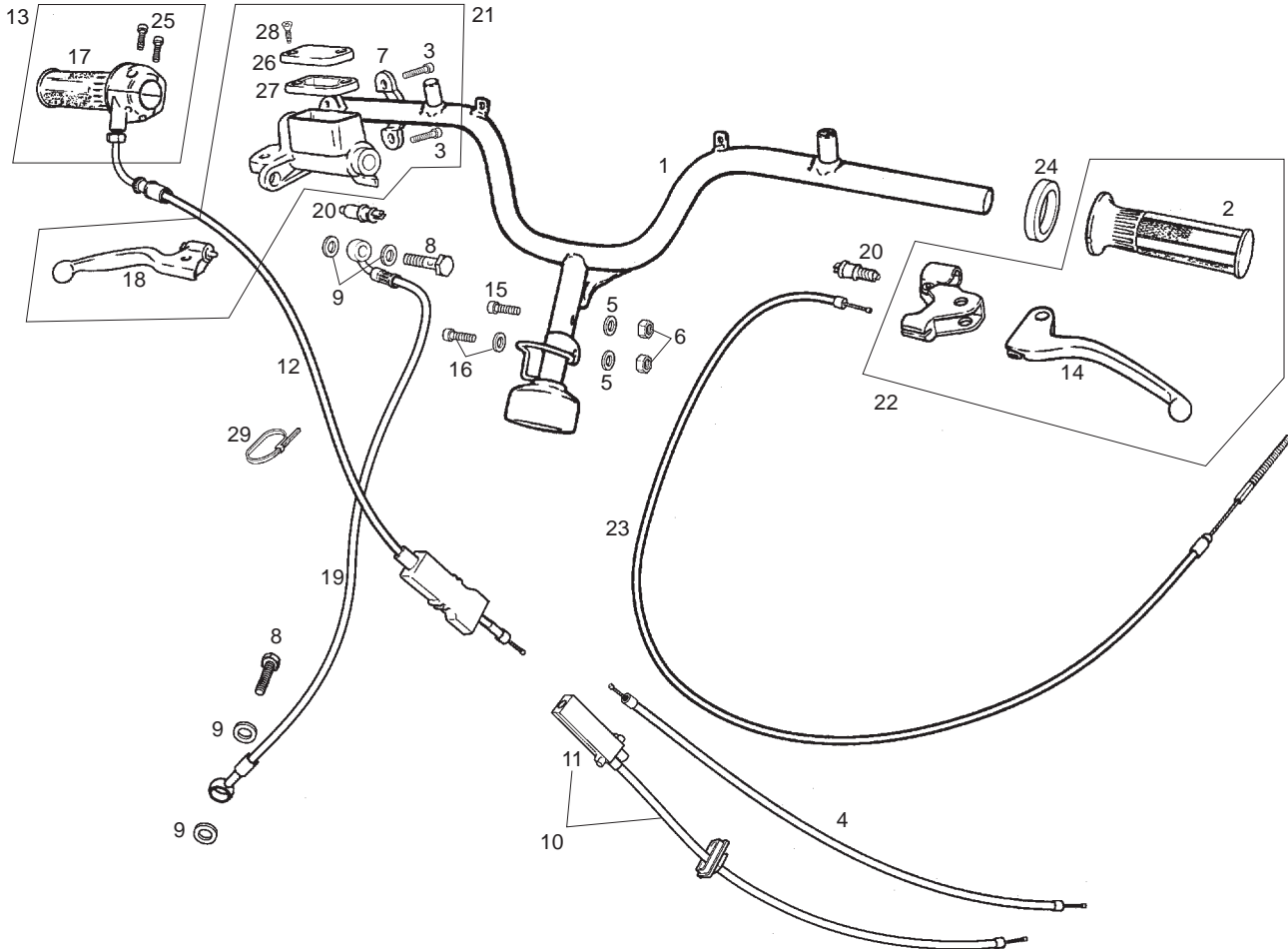
| Fig. | Ver. | COD. KOD. | DESCRIPCIÓN DENOMINAZIONE NAME | BEZEICHUNG DESIGNATION | MOD. | NOTAS NOTES NOTA MITSCHRIFT NOTES |
|------|------|-------------|-------------------------------------------------------------------------------------------------|-----------------------------------------------------------------|------------|-----------------------------------|
| 12A | | 00D02600631 | ARANDELA TOPE MUELLE EMBRG.4-6V. RONDELLA WASHER | SCHEIBE RONDELLE | 123 456 | |
| 13A | | 00G06801051 | TOPE POST.CABLE CIERRE SILL. FERMO POSTERIORE CAVO CHIUSURA REAR SADDLE LOCKING CABLE LUG | ANSCHLAG HINTEN VERSCHLUSSKABE BUTEE ARR.CABLE FERM.SELLE H. | 123 456 | |
| 14A | | 00G00602181 | SCTO. CABLE CIERRE SILLIN CAVO CHIUSURA SELLA SADDLE LOCKING CABLE ASSY | VERSCHLUSSKABEL SITZ SOUS-EN.CABLE FERMETURE SELLE | 123 456 | |
| 15A | | 00G06800501 | SCTO. PLACA CIERRE SILLIN PIASTRA SERRATURA SELLA PLATE, SADDLE LOCK FITTING | PLATTE DES SITZBANKSCHLOSSES PLAQUE VERROUILLAGE DE LA SELLE | 123 456 | |
| 16A | | 00G03600991 | TORNILLO FIJ.TURBINA VITE SCREW | SCHRAUBE VIS | 123 456 | |
| 17A | | 00000023060 | TUERCA AUTOBLOC. 6M100 DADO NUT | MUTTER ECROU | 123 456 | |
| 18A | | 00002051551 | TORNILLO 5M80X15 Zn.B VITE SCREW | SCHRAUBE VIS | 123 456 | |
| 19A | | 00402060001 | ARANDELA D6 ZnB RONDELLA WASHER | SCHEIBE RONDELLE | 123 456 | |
| 20A | | 00H01500691 | TUERCA FIJACION D5 DADO NUT | MUTTER ECROU | 123 456 | |
| 21A | | 00D01501371 | TUERCA FIJACION D6 DADO NUT | MUTTER ECROU | 123 456 | |



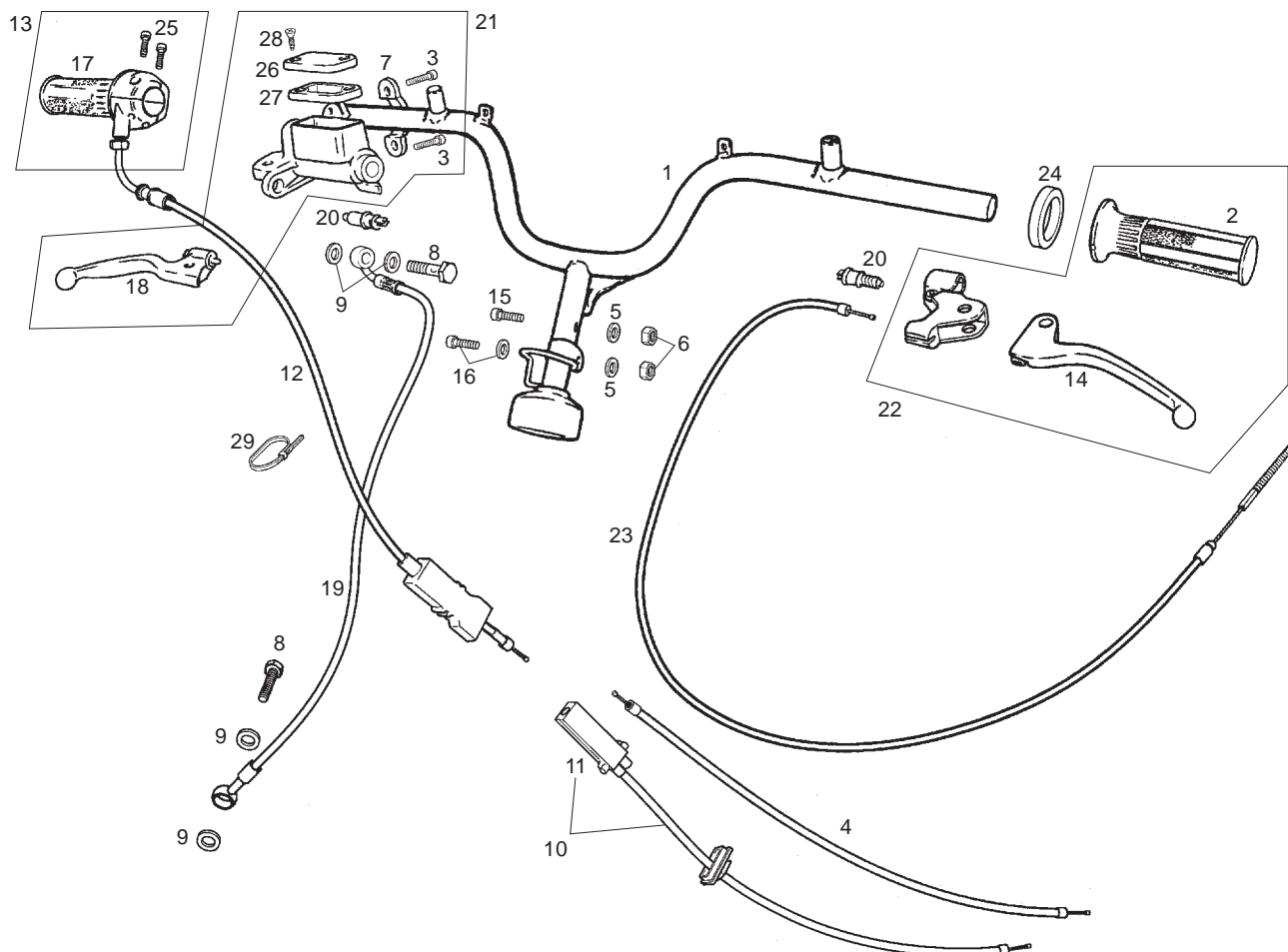
| Fig. | Ver. | COD. KOD. | DESCRIPCIÓN DENOMINAZIONE NAME | BEZEICHNUNG DESIGNATION | MOD. | NOTAS NOTES NOTA MITSCHRIFT NOTES |
|------|--------|-------------|--------------------------------------------------------------|------------------------------------------|------------|-----------------------------------|
| 01A | | 00232080021 | TUERCA DADO NUT | MUTTER ECROU | 123 456 | |
| 02A | | 00G01509191 | CTO.AMORTIGUADOR DIESES AMMORTIZZATORE SHOCK ABSORBER ASSY | STOSSDAMPFER HINTEN ENSEMBLE AMORTISSEUR | 123 456 | |
| 03A | | 00G01800901 | TORNILLO FIJ.SUP.AMORTIGD. VITE SCREW | SCHRAUBE VIS | 123 456 | |
| 04A | | 00000031100 | ARANDELA PLANA D.10 RONDELLA WASHER | SCHEIBE RONDELLE | 123 456 | |
| 05A | | 00000023100 | TUERCA AUTOBLOC.10M150 DADO NUT | MUTTER ECROU | 123 456 | |
| 06A | | 00004215000 | TORNILLO C/ALLEN.10M125X50 VITE SCREW | SCHRAUBE VIS | 123 456 | |
| 07A | | 00000033100 | ARANDELA MUELLE. D.10 RONDELLA WASHER | SCHEIBE RONDELLE | 123 456 | |
| 08A | 272929 | | SOPORTE SUPPORTO BRACKET | HALTER SUPPORT | 123 456 | |
| 09A | | 00G00800501 | CABALLETE, COMPLETO CAVALLETTO COMPLETO CENTRAL STAND, ASSY. | KIPPSTÄNDER, KOMPLETT BÉQUILLE COMPLÈT | 123 456 | |
| 10A | | 00022087021 | TORNILLO M8X70 VITE SCREW | SCHRAUBE VIS | 123 456 | |
| 11A | 278940 | | MUELLE MOLLA SPRING | FEDER RESSORT | 123 456 | |



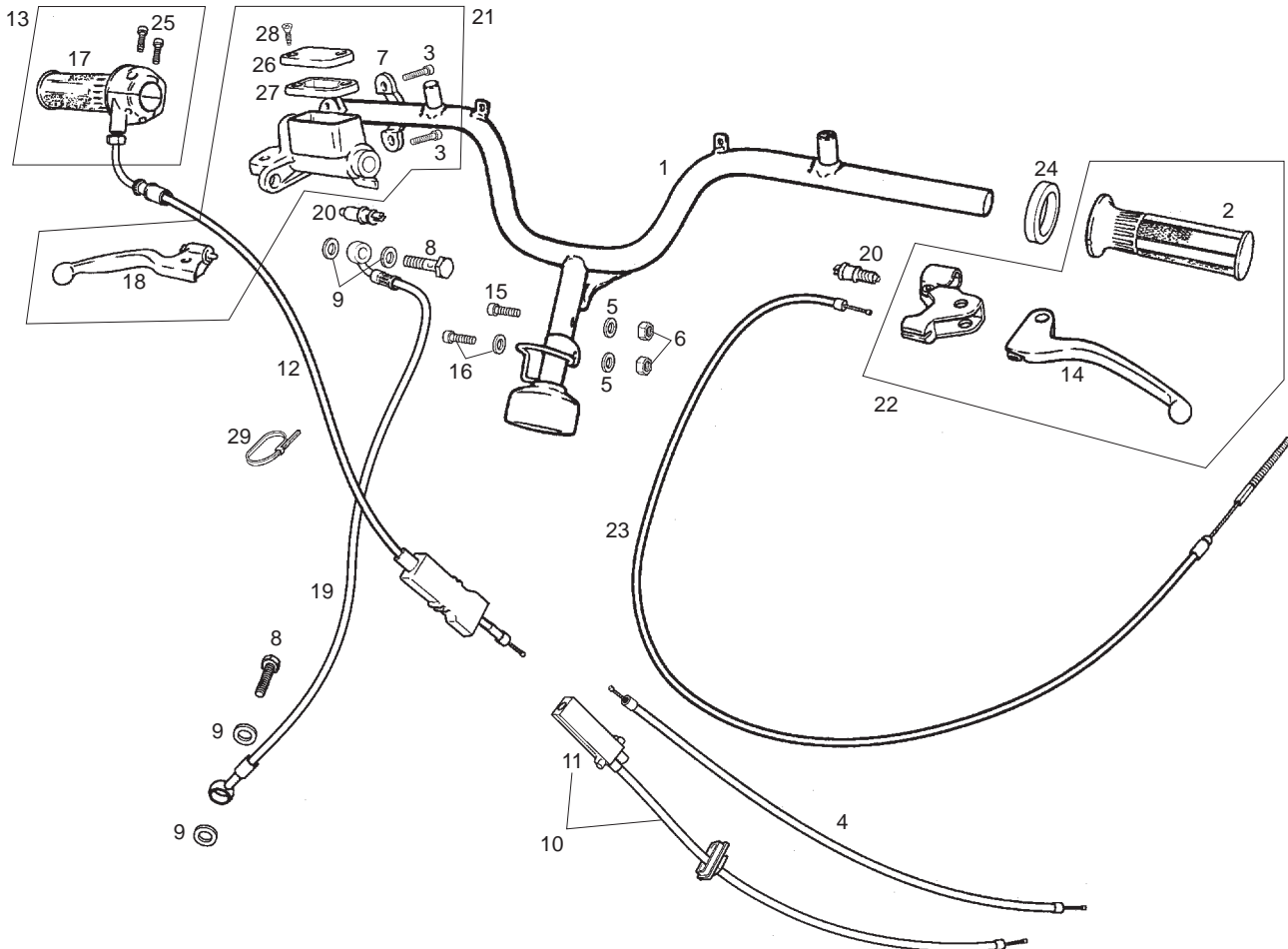
| Fig. | Ver. | COD. KOD. | DESCRIPCIÓN DENOMINAZIONE NAME | BEZEICHNUNG DESIGNATION | MOD. | NOTAS NOTES NOTA MITSCHRIFT NOTES |
|------|------|-------------|-------------------------------------------------------------------|---------------------------------|------------|-----------------------------------|
| 12A | | 583603 | PERNO PERNO PIN | ZAPFEN PIVOT | 123 456 | |
| 13A | | 00442080002 | ARANDELA D8 Zn.B RONDELLA WASHER | SCHEIBE RONDELLE | 123 456 | |
| 14A | | 00G00803101 | ARANDELA FIJ.CABALLETE 8X20X2,5 RONDELLA WASHER | SCHEIBE RONDELLE | 123 456 | |
| 15A | | 00012083001 | TORNILLO 8M125X30 Zn.B VITE SCREW | SCHRAUBE VIS | 123 456 | |
| 16A | | 00442080002 | ARANDELA D8 B Zn.B RONDELLA WASHER | SCHEIBE RONDELLE | 123 456 | |
| 17A | | 00G00800001 | R-CTO KIT PATA CABALLETE CAVALLETTO COMPLETO SIDE STAND KIT | KIPPSTÄNDER BEQUILLE COMPLÈT | 123 456 | |



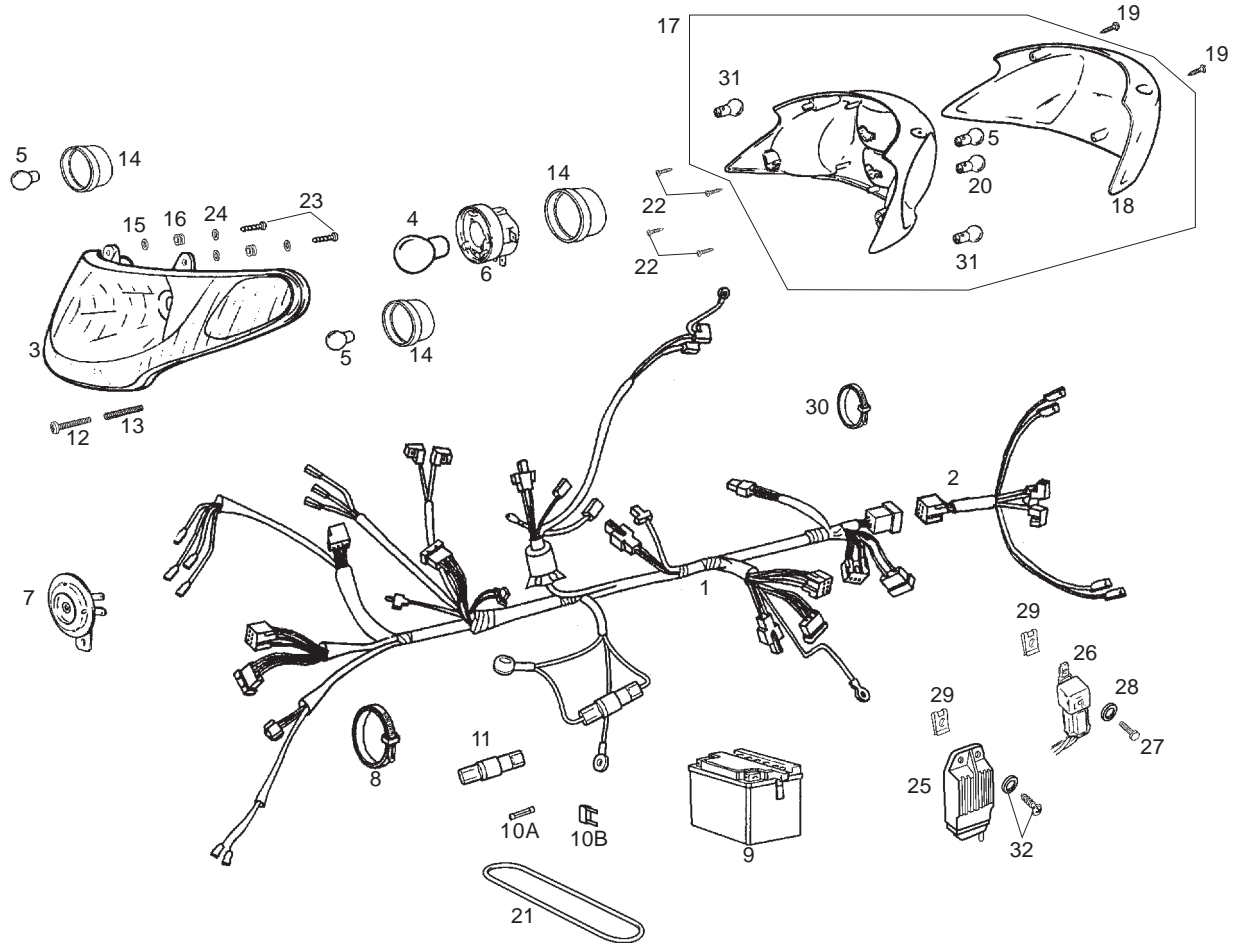
| Fig. | Ver. | COD. KOD. | DESCRIPCIÓN DENOMINAZIONE NAME | BEZEICHNUNG DESIGNATION | MOD. | NOTAS NOTES NOTA MITSCHRIFT NOTES |
|------|------|-------------|------------------------------------------------------------------------------|----------------------------------------------------|------------|-----------------------------------|
| 01A | | 00G00907011 | MANILLAR SUBCOMPL. MANUBRIO HANDLEBAR ASSY | LENKER SOUS-ENSEMBLE GUIDON | 123 456 | |
| 02A | | 00F00930071 | R-EMPUÑ.FR.TR.1373021551 W.CH. MANOPOLA FRENO POSTERIORE 13 GRIP, THROTTLE | GRIFFGUMMI IMPUGNATURA NEE GAZ | 123 456 | |
| 03A | | 00004061600 | TORNILLO C/ALLEN 6M100X16 NG VITE SCREW | SCHRAUBE VIS | 123 456 | |
| 04A | | 583334 | CABLE GAS CAVO ACCELERATORE THROTTLE CABLE | GASKABEL CABLE GAZ | 123 456 | |
| 05A | | 00000031080 | ARANDELA PLANA MECANIZ.D.8 RONDELLA WASHER | SCHEIBE RONDELLE | 123 456 | |
| 06A | | 00000023080 | TUERCA AUTOBLOC. 8M125 DADO NUT | MUTTER ECROU | 123 456 | |
| 07A | | 00D02100901 | R-BRIDA FIJ.MANDO FRENO.FD. CAVALLOTTO FISSAGGIO POMPA CLAMP | BUEGEL COLLIER | 123 456 | |
| 08A | | 00006309260 | RACORD TUBO HIDRAULICO RACCORDO TUBO IDRAULICO HYDRAULIC TUBE CONNECTOR | STUTZEN HYDRAULIKLEITUNG RACCORD TUYAU HYDRAULIQUE | 123 456 | |
| 09A | | 00006321040 | ARANDELA JUNTA RACORD RONDELLA WASHER | SCHEIBE RONDELLE | 123 456 | |
| 10A | | 00G00900401 | R-CABLE BOMBA ACEITE DIESIS CAVO REAR THROTTLE CABLE/SLEEVE S/A | KABEL CABLE | 123 456 | |
| 11A | | 00G00901861 | R-CAJA CONEXIONES CASSA COLLEGAMENTO CAVI BENZ. THROTTLE CABLE CONNECTOR BOX | VERTELIER DEDOBLATEUR | 123 456 | |



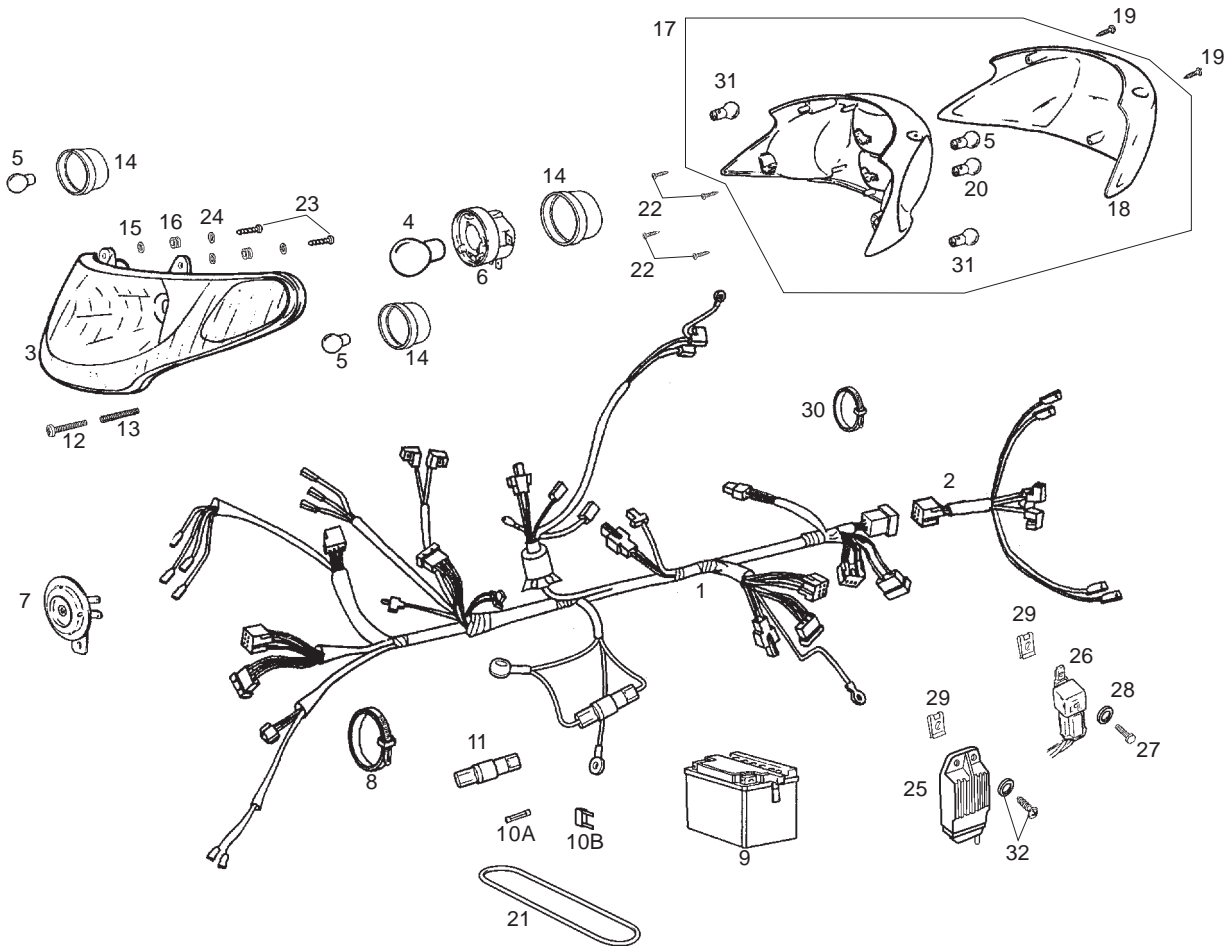
| Fig. | Ver. | COD. KOD. | DESCRIPCIÓN DENOMINAZIONE NAME | BEZEICHNUNG DESIGNATION | MOD. | NOTAS NOTES NOTA MITSCHRIFT NOTES |
|------|------|-------------|-------------------------------------------------------------------------------------------|--------------------------------------------------------|------------|-----------------------------------|
| 12A | | 00G00900181 | CABLE GAS ANTERIOR CAVO THROTTLE CABLE/SLEEVE ASSY | KABEL CABLE | 123 456 | |
| 13A | | 00G00906081 | CTO.PUÑO GAS DIESES MANOPOLA ACCELERATORE THROTTLE TWIST GRIP | GASGRIFF KOMPL. ENSEMBLE POIGNEE GAZ | 123 456 | |
| 14A | | 00G00900291 | R-MANETA FRENO.TR.1699022076. LEVA FRENO POSTERIORE REAR BRAKE LEVER | BREMSHEBEL LEVIER DE FREIN ARRIERE | 123 456 | |
| 15A | | 00000004840 | TORNILLO C/ALLEN.8M125X40 VITE SCREW | SCHRAUBE VIS | 123 456 | |
| 16A | | 00H05900441 | SCTO.TORNILLO 8M125X45 VITE SCREW | SCHRAUBE VIS | 123 456 | |
| 17A | | 00F00930091 | R-EMPUÑADURA GAS IMPUGNATURA ACCELERATORE GRIP, THROTTLE | GRIFFGUMMI RECHTS CAOUT. DE PIGNEE GAZ | 123 456 | |
| 18A | | 00F00902291 | MANETA FRENO DT LEVA FRENO ANTERIORE FRONT BRAKE LEVER | BREMSHEBEL MANETTE DU FREIN AVANT | 123 456 | |
| 19A | | 00G00905751 | R-CTO.TUBO LIQ.FR.DT.ATLANTIS COMPL. TUBO LIQUIDO FRENI FRONT BRAKE FLUID TUBE ASSY | BREMSSCHLAUCH R-ENS.TUYAU LIQ.FREINS AVANT H | 123 456 | |
| 20A | | 00D01000701 | INTERRUPTOR MANDO STOP INTERRUPTORE STOP SWITCH, STOP LIGHT | STOPSCHALTER VO. INTERRUPTEUR COMMANDE STOP | 123 456 | |
| 21A | | 00G02102083 | R-CTO MANDO FRENO DT POMPA FRENO ANTERIORE COMPLETA FRONT BRAKE LEVER/CYLINDER ASS | BREMSPUMPE SENDA R-ENS.COMMANDE FREIN AV.SENDA | 123 456 | |
| 22A | | 00G02106611 | CTO.PORTAMANETA.IZ.VECOS COMPL. PORTAMANOPOLA SINIST LEFT LEVER BRACKET | BREMSHEBEL LINKS KOMPLETT ENS. PORTE-MANETTE GAUCHE | 123 456 | |



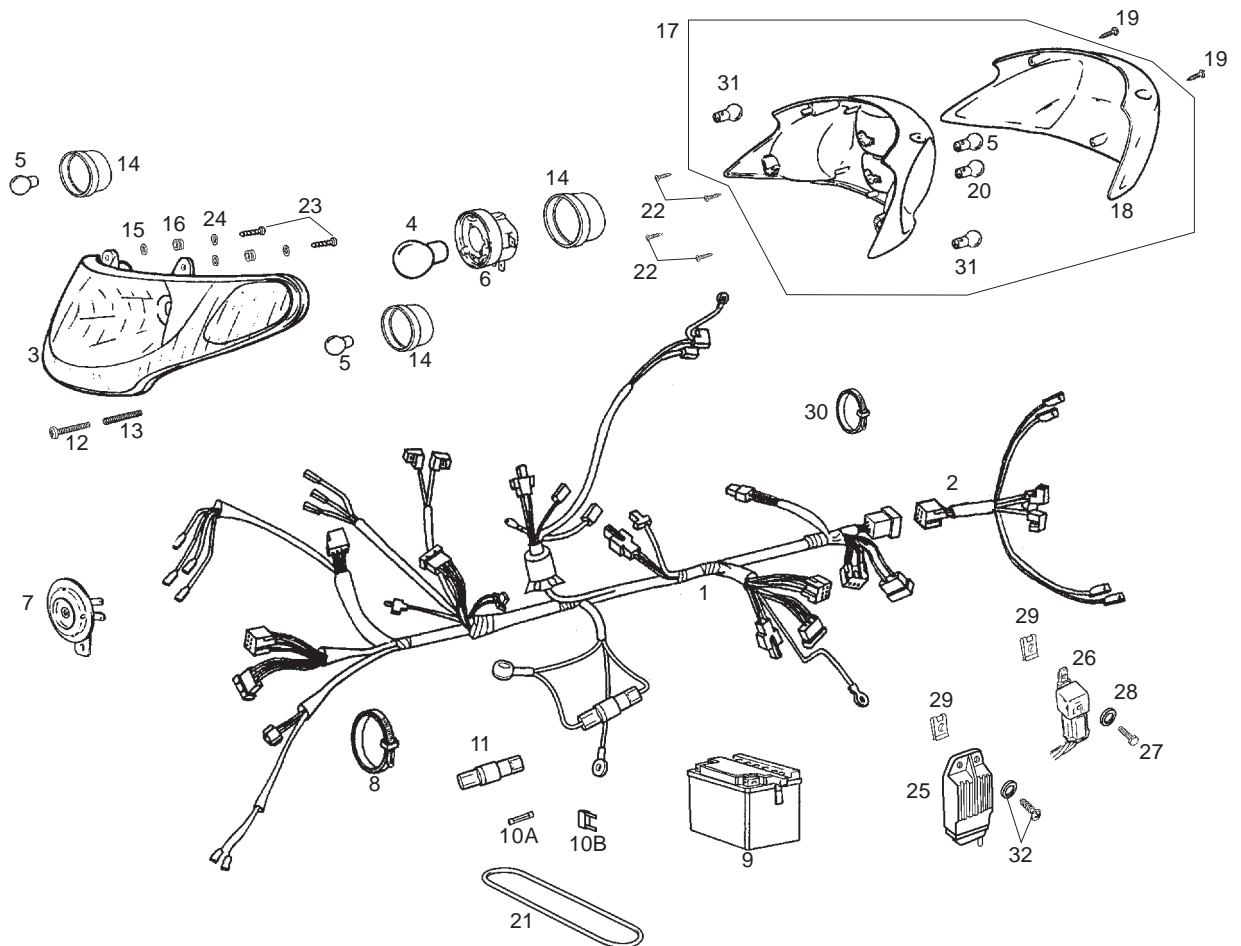
| Fig. | Ver. | COD. KOD. | DESCRIPCIÓN DENOMINAZIONE NAME | BEZEICHNUNG DESIGNATION | MOD. | NOTAS NOTES NOTA MITSCHRIFT NOTES |
|------|------|-------------|----------------------------------------------------------------------------------------|--------------------------------------------------------|------------|-----------------------------------|
| 23A | | 00G00904431 | SCTO.CABLE-FDA.FR.TR.ATLANTIS SUBCOMPL. CAVO-FODERO FRENO REAR BRAKE CABLE/SLEEVE ASSY | BREMSZUG-HINTEN SOUS-ENS.CABLE-GAINE FREIN AR. | 123 456 | |
| 24A | | 00G05800011 | SEPARADOR EMPUÑADURA IZ. GHIERA MANOPOLA SPACER | GEWINDERUNG DOUILLE | 123 456 | |
| 25A | | 00F00901151 | R-TORNILLO FIJ.TAPETA PUÑO GAS FURASCHRAUBE VITE SCREW | VIS | 123 456 | |
| 26A | | 00H02100191 | TAPETA BOMBA FRENO COPERCHIO SERBATOIO LIQUIDO BRAKE FLUID RESERVOIR CAP | BREMSFLUESSIGKEITSBEHAELTE R-COUV.RESER.LIQ.FREIN AVAN | 123 456 | |
| 27A | | 00H02100861 | FUELLE BOMBA FRENO GUARNIZIONE COPERCHIO SERBA BRAKE FLUID RESERVOIR CAP SEA | BREMSDECKELDICHTUNG R-JOINT COUV. RES. LIQ. FR. AV. | 123 456 | |
| 28A | | 00014041200 | TORNILLO FIJACION TAPETA VITE SCREW | SCHRAUBE VIS | 123 456 | |
| 29A | | 00F00900531 | BRIDA FLANGIA FISSAGGIO SECURING CLAMP | BEF.-SHELLE COLLIER | 123 456 | |



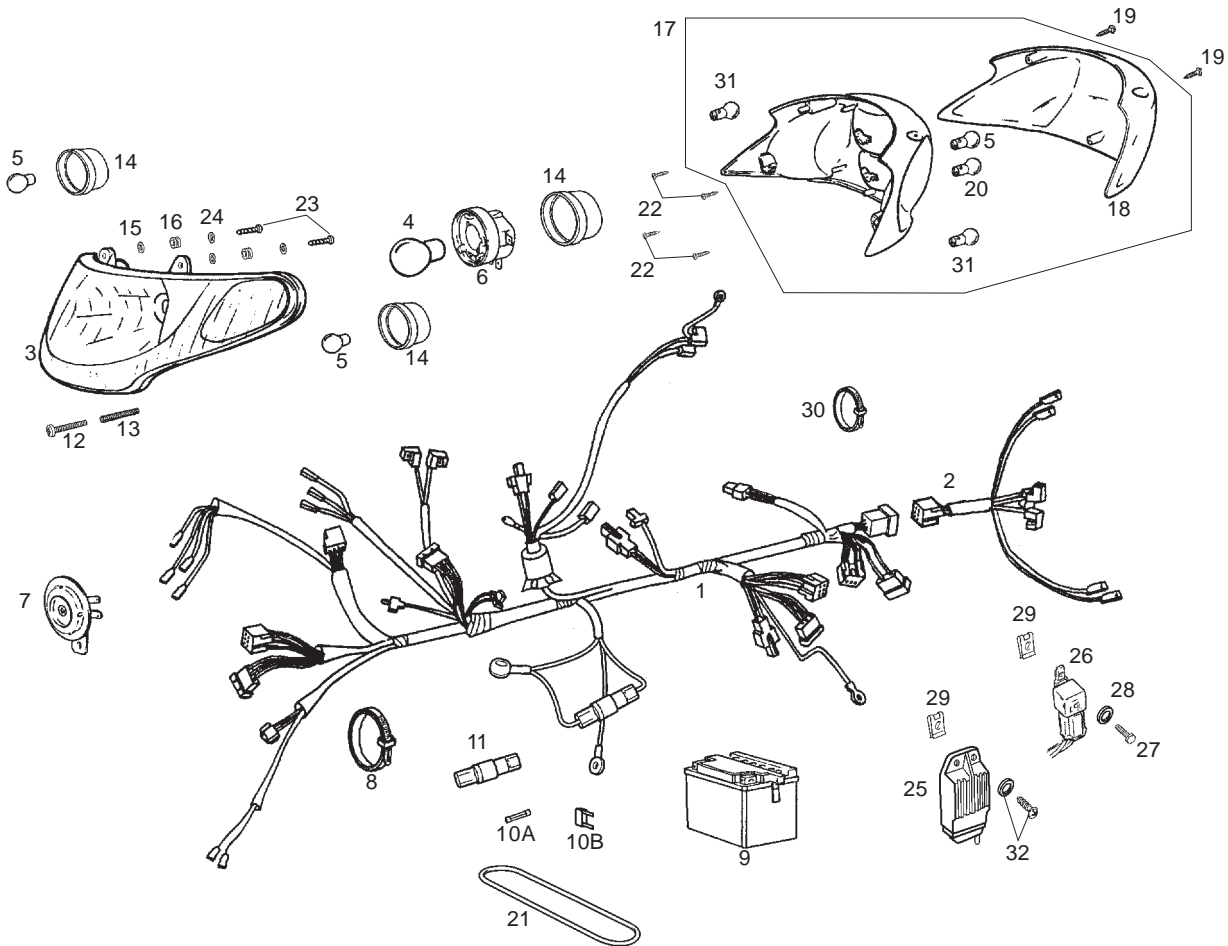
| Fig. | Ver. | COD. KOD. | DESCRIPCIÓN DENOMINAZIONE NAME | BEZEICHUNG DESIGNATION | MOD. | NOTAS NOTES NOTA MITSCHRIFT NOTES |
|------|------|-------------|-----------------------------------------------------------------------------------------|---------------------------------------------|------------|-----------------------------------|
| 01A | | 00G01025301 | CTO. INSTALACION ELECTRICA INSTALLAZIONE ELETTRICA ELECTRICAL INSTALLATIONS ASSY | KABELBAUM ENSEMB.INSTALLATION ELECTRIQUE | 123 456 | |
| 02A | | 00G05703051 | CTO.INSTAL.FARO PILOTO ATLANTI IMPIANTO FANALINO POSTERIORE TAILLIGHT WIRING ASSY | KABELSATZ FAISCEAU PHARE TEMOIN | 123 456 | |
| 03A | | 00G01018011 | CTO FARO DT FARO ANTERIORE HEADLAMP ASSY | SCHEINWERFER ENSEMBLE PHARE AVANT | 123 456 | |
| 04A | | 00E01020131 | LAMP.FARO 12V.25/25W.SCO-USA LAMPADA FARO HEADLAMP BULB | SCHEINWERFERLAMPE TUBE PHARE | 123 456 | |
| 05A | | 0000A517011 | BOMBILLA 12V 10W LAMPADA INDICATOR LIGHT BULB | BLINKLICHTLAMPE TUBE PHARES CLIGNOTANT | 123 456 | |
| 06A | | 00G02300621 | R-CTO KIT PORTALAMPARA PORTALAMPADA FARO ANTERIORE HEADLIGHT BULB SOCKET | BIRNENFASSUNG PORTE LAMPES | 123 456 | |
| 07A | | 00F01001311 | CTO.CLAXON.12V-DC/0450-A.SC/91 CLACSON HORN ASSEMBLY | HUPE KLAXON | 123 456 | |
| 08A | | 00D00900531 | BRIDA FLANGIA FISSAGGIO SECURING CLAMP | BEF.-SHELLE COLLIER | 123 456 | |
| 09A | | 00G03301401 | BATERIA BATTERIA BATTERY | BATTERIE BATTERIE | 123 456 | |
| 10A | | 00G01000911 | FUSIBLE 4 AMP FUSIBILE FUSE | SICHERUNG FUSIBLE | 123 456 | |
| 10B | | 00H01003911 | FUSIBLE 4 AMP FUSIBILE FUSE | SICHERUNG FUSIBLE | 123 456 | |



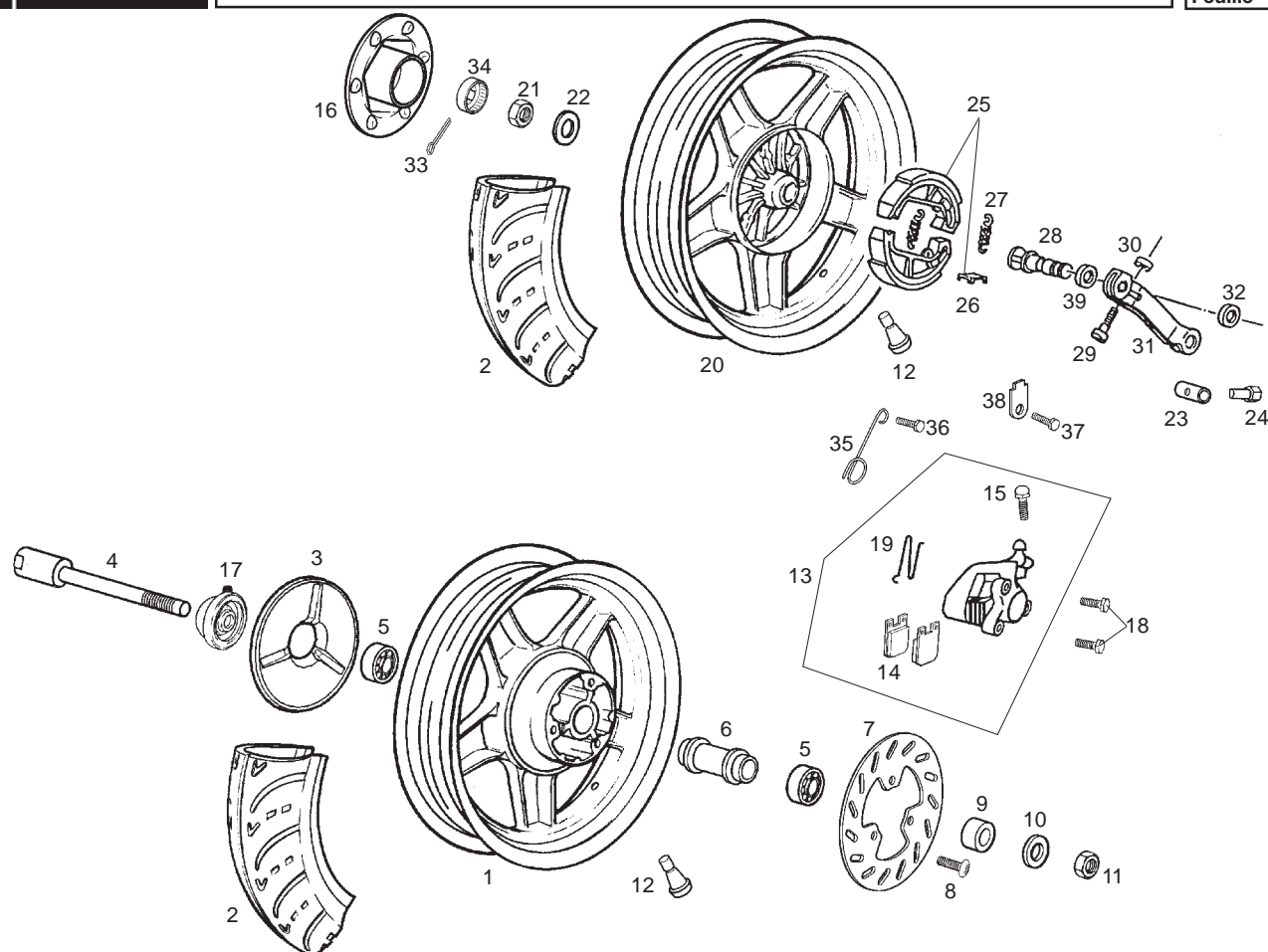
| Fig. | Ver. | COD. KOD. | DESCRIPCIÓN DENOMINAZIONE NAME | BEZEICHUNG DESIGNATION | MOD. | NOTAS NOTES NOTA MITSCHRIFT NOTES |
|------|------|-------------|---------------------------------------------------------------------------------------|---------------------------------------------------------|------------|-----------------------------------|
| 11A | | 00G02300811 | CTO.PORTAFUSIBLE INST.EL.PRED. PORTAFUSIBILE FUSE HOLDER | SICHERUNGSHALTER PORTE-FUSIBLE | 123 456 | |
| 12A | | 00012044000 | TORNILLO C/RED.CRUIZ 4M70X40 VITE SCREW | SCHRAUBE VIS | 123 456 | |
| 13A | | 00G02302501 | R-MUELLE REG.FARO.DT.ATLANTIS MOLLA REGOLAZIONE FARO HEADLAMP ADJUSTER SPRING | STELLFEDER SCHEINWERFER R-RESSORT REGLAGE PHARE AVANT | 123 456 | |
| 14A | | 00G05701141 | R-PROTECTOR PORTALAM.FARO ATL. PROTEZIONE PORTALAMPADE FARO HEADLIGHT BULBHOLDER PROT | KABELSCHUTZ SCHEINWERFER R-PROTECTEUR PORTE-LAMPE PHARE | 123 456 | |
| 15A | | 00038004000 | ARANDELA PLANA D 4,3 RONDELLA WASHER | SCHEIBE RONDELLE | 123 456 | |
| 16A | | 00D01500021 | PASACABL.INST.GUARD.TR. PORTACAVI IST.PARAFANGO POST. GROMMET | GUMMI CAOUTCHOUC PASSE-CABLE | 123 456 | |
| 17A | | 00G01004321 | CTO FARO PILOTO FANALINO POSTERIORE REAR LIGHT ASSY | RUECKLICHT KOMPLETT ENSEMBLE PHARE FEU ARRIERE | 123 45 | UNTIL FRAME 5G230792 |
| 17B | | 00G01008321 | CTO FARO PILOTO FANALINO POSTERIORE REAR LIGHT ASSY | RUECKLICHT KOMPLETT ENSEMBLE PHARE FEU ARRIERE | 123 456 | SINCE FRAME 5G230793 |
| 18A | | 00G01004341 | R-CRISTAL FARO PILOTO COPPETTA ESTERNA REAR LIGHT LENS | RUECKLICHTGLAS GLACE PHARE FEU ARRIERE | 123 45 | UNTIL FRAME 5G230792 |
| 18B | | 00G01007341 | R-CRISTAL FARO PILOTO COPPETTA ESTERNA REAR LIGHT LENS | RUECKLICHTGLAS GLACE PHARE FEU ARRIERE | 123 456 | SINCE FRAME 5G230793 |
| 19A | | 00011031600 | TORNILLO AUTOROSCANTE 3,9X16 VITE SCREW | SCHRAUBE VIS | 123 456 | |



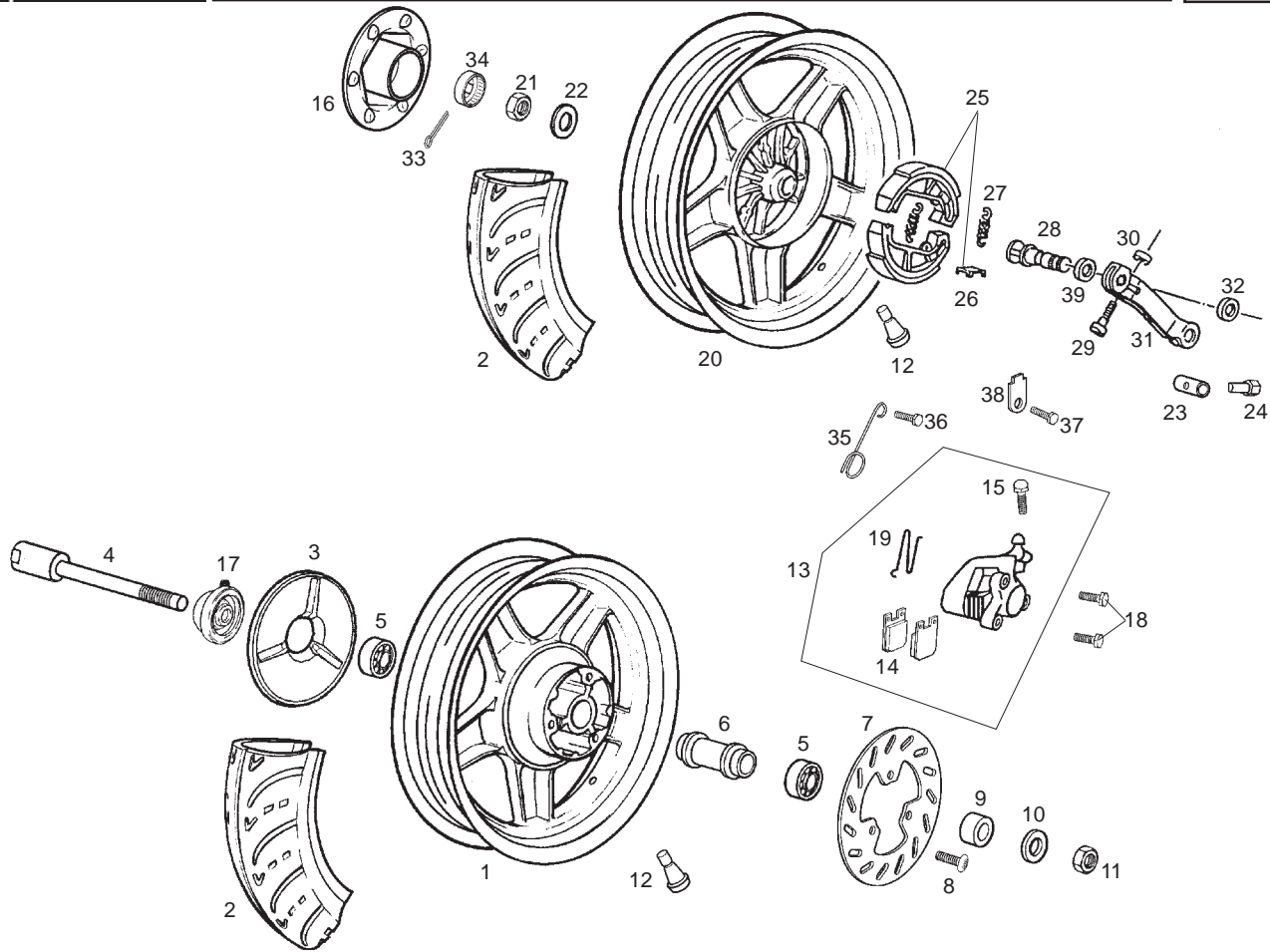
| Fig. | Ver. | COD. KOD. | DESCRIPCIÓN DENOMINAZIONE NAME | BEZEICHNUNG DESIGNATION | MOD. | NOTAS NOTES NOTA MITSCHRIFT NOTES |
|------|------|-------------|----------------------------------------------------------------------------------------------|---------------------------------------------------------|------------|-----------------------------------|
| 20A | | 00F01020371 | BOMBILLA 12V 5W LAMPADA INDICATOR LIGHT BULB | BLINKLICHTLAMPE TUBE PHARES CLIGNOTANTS | 123 456 | |
| 21A | | 00G01802361 | SCTO.BRIDA FIJ.BATERIA HUNTER FLANGIA FISSAGGIO BATERIA BATTERY SECURING CLAMP SUB-ASS | BEF.-FLANSCH BATTERIE SOUS-ENS.BRIDE FIX.BATTERIE HU | 123 456 | |
| 22A | | 00011031401 | TORNILLO AUTOROSCANTE 3,6X14 VITE SCREW | SCHRAUBE VIS | 123 456 | |
| 23A | | 00011031801 | TORNILLO AUTRCTE.3,6X18 VITE SCREW | SCHRAUBE VIS | 123 456 | |
| 24A | | 00040008000 | ARANDELA PLANA D8,4 RONDELLA WASHER | SCHEIBE RONDELLE | 123 456 | |
| 25A | | 00G01002841 | REGULADOR REGOLATORE REGULATOR | REGLER RÉGULATEUR | 123 456 | |
| 26A | | 584521 | CTO.RELE ARRANQUE ELECTRICO TELERUTTORE REM.CONTROL SWITCH | FERNSCHALTER RELAIS | 123 456 | |
| 27A | | 00000004612 | TORNILLO C/ALLEN 6M100X12 VITE SCREW | SCHRAUBE VIS | 123 456 | |
| 28A | | 00000031060 | ARANDELA PLANA D6 RONDELLA WASHER | SCHEIBE RONDELLE | 123 456 | |
| 29A | | 00D01501371 | TUERCA FIJACION D6 DADO NUT | MUTTER ECROU | 123 456 | |
| 30A | | 00F00900531 | BRIDA FLANGIA FISSAGGIO SECURING CLAMP | BEF.-SHELLE COLLIER | 123 456 | |



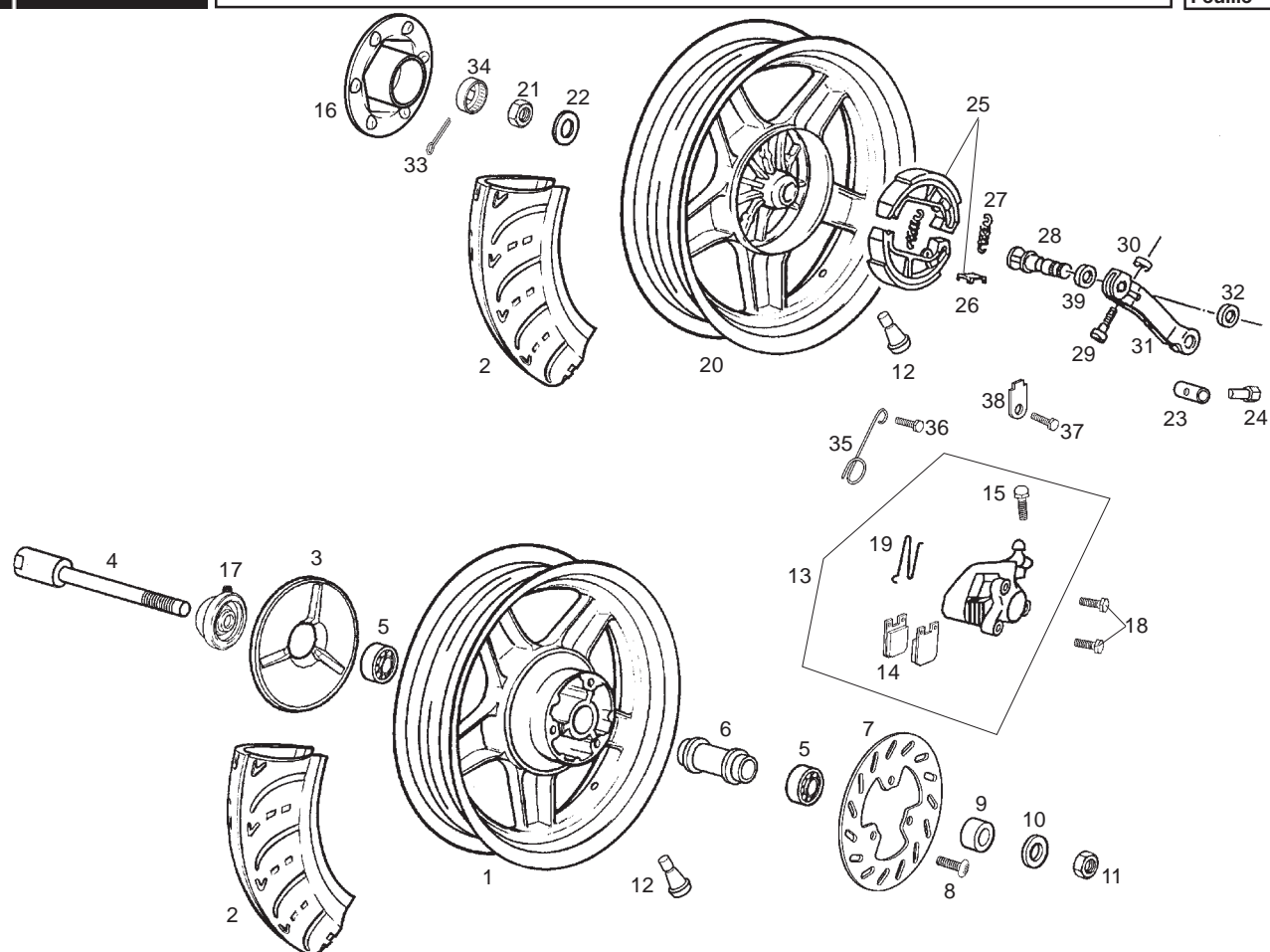
| Fig. | Ver. | COD. KOD. | DESCRIPCIÓN DENOMINAZIONE NAME | BEZEICHNUNG DESIGNATION | MOD. | NOTAS NOTES NOTA MITSCHRIFT NOTES |
|------|------|--------------|-------------------------------------------------------------|--------------------------------------------|------------|-----------------------------------------------|
| 31A | | 0000A517011 | BOMBILLA 12V 10W LAMPADA INDICATOR LIGHT BULB | BLINKLICHTLAMPE TUBE PHARES CLIGNOTANTS | 123 45 | UNTIL FRAME 5G230792 |
| 31B | | 00H01701011 | BOMBILLA 12V 10W NARANJA LAMPADA INDICATOR LIGHT BULB | BLINKLICHTLAMPE TUBE PHARES CLIGNOTANTS | 123 456 | SINCE FRAME 5G230793 |
| 32A | | 00D05900091 | SCTO.TORNILLO 6M100X20 VITE SCREW | SCHRAUBE VIS | 123 456 | |



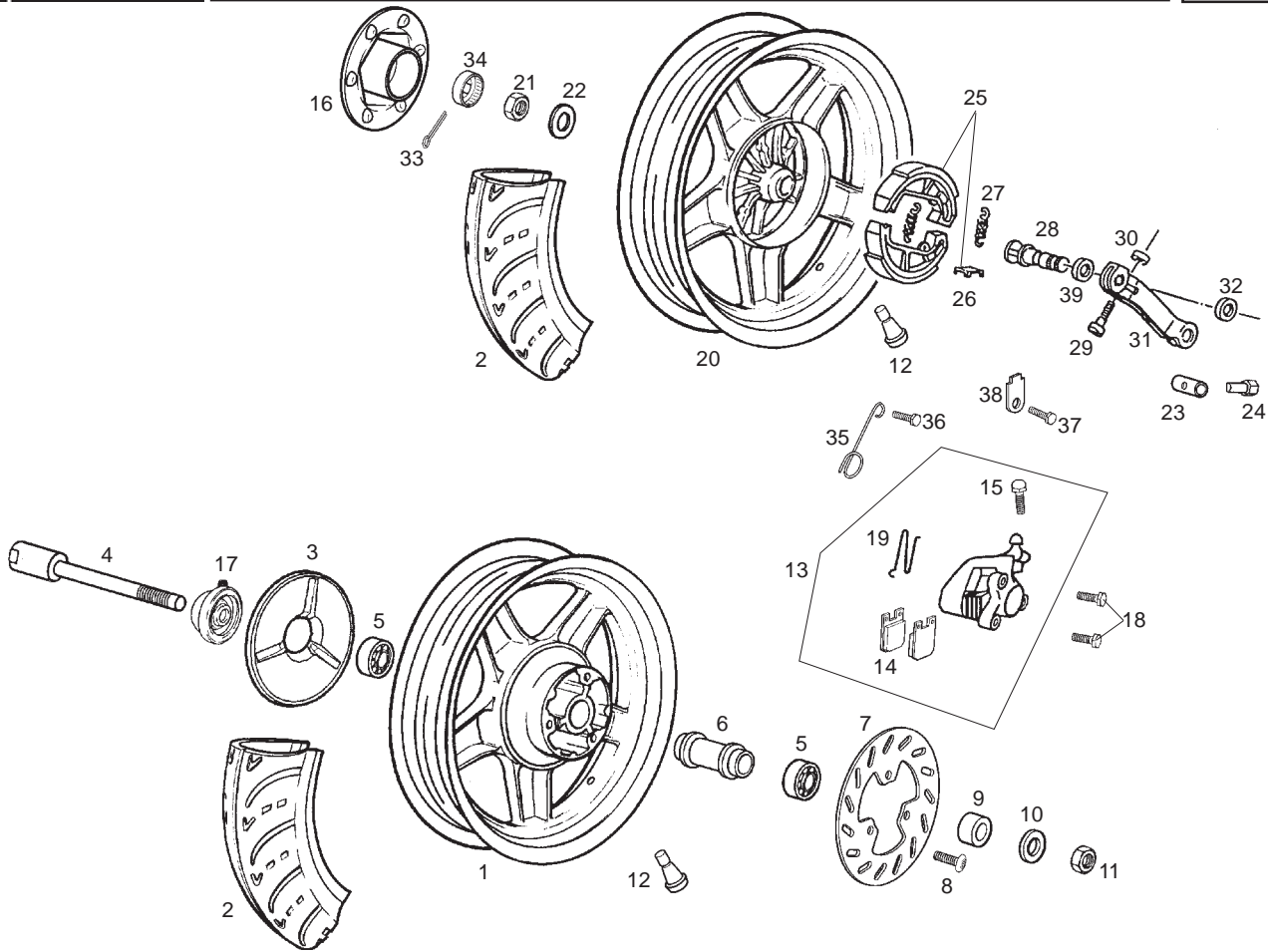
| Fig. | Ver. | COD. KOD. | DESCRIPCIÓN DENOMINAZIONE NAME | BEZEICHUNG DESIGNATION | MOD. | NOTAS NOTES NOTA MITSCHRIFT NOTES |
|------|------|-------------|-------------------------------------------------------------------------------------------|---------------------------------------------------------|------------|-----------------------------------|
| 01A | | 00G01209951 | CTO LLANTA DT GRIS CERCHIO ANTERIORE FRONT WHEEL | FELGE VORNE JANTE DE DEVANT | 123 456 | |
| 02A | | 00G01212111 | CUBIERTA 120/70X12 ATLANTIS COPERTONE TYRE | REIFEN PNEU | 123 456 | |
| 03A | | 00F01201121 | TAPACUBOS RUEDA DTRA. URBAN-R. COPRIMOZZO RUOTA ANTERIORE FRONT HUB CAP | ABDECKUNG FLASQUE ROUE AVANT DROITE | 123 456 | |
| 04A | | 00G01201271 | EJE RUEDA DT.HUNTER ASSE RUOTA ANTERIORE FRONT WHEEL AXLE | VORDERRADACHSE AXE ROUE AVANT | 123 456 | |
| 05A | | 00058120100 | COJINETE CUSCINETTO BEARING | LAGER ROULEMENT | 123 456 | |
| 06A | | 00G01200031 | SCTO.SEPARAD.COJINET.DT.HUN'98 Distanziale CUSCINETTO FR BEARING DISTANCE BUSH ASSY | TRENNSTÜCK KUGELLAGER ENTRETOISE DE ROULEMENT (EPAUL | 123 456 | |
| 07A | | 00G01202021 | DISCO FRENO DT.HUNTER DISCO FRENO FRONT BRAKE DISC | BREMSSSCHEIBE VORNE DISQUE DE FREIN AVANT | 123 456 | |
| 08A | | 00H02401282 | TORNILLO FIJ.DISCO FR.TR. VITE SCREW | SCHRAUBE VIS | 123 456 | |
| 09A | | 00H01301291 | CASQ.RUEDA TR.LADO DISCO SEN.R GHIERA RUOTA LATO DISCO SPACER, REAR WHEEL DISC SIDE | DISTANZHULSE ENTRETOISE ROUE ARRIERE COTE D | 123 456 | |
| 10A | | 00003112320 | ARANDELA EJE RUEDA.12'25X20X2 RONDELLA WASHER | SCHEIBE RONDELLE | 123 456 | |
| 11A | | 00021012001 | TUERCA EXAG.12M150 DADO NUT | MUTTER ECROU | 123 456 | |



| Fig. | Ver. | COD. KOD. | DESCRIPCIÓN DENOMINAZIONE NAME | BEZEICHUNG DESIGNATION | MOD. | NOTAS NOTES NOTA MITSCHRIFT NOTES |
|------|------|-------------|-------------------------------------------------------------------------------------------|----------------------------------------------------|------------|-----------------------------------|
| 12A | | 00G04702091 | CTO.VALV.AIRE RDAS.13" PREDATOR VALVOLA ARIA 13" VALVE, TYRE | LUFTVENTIL RAEDER ENSEMB.SOUPAPE D'ADMISS.AIR RO | 123 456 | |
| 13A | | 00G01202195 | R-CTO. PINZA FRENO DT. COMPL.PINZA ANTERIORE BRAKE CALIPER | BREMSZANGE VORNE ENSEMBLE PINCE FREIN | 123 456 | |
| 14A | | 00G04700141 | JUEGO PASTILLAS DE FRENO CONG. PASTIGLIE FRENO SET OF BRAKE PADS | DIE GESAMTHEIT BREMSBACKEN ENS. PLAQUETTE DE FREIN | 123 456 | |
| 15A | | 00F04700121 | R-CTO.PURGADOR PINZA FR.DTRO. SPURGO PINZA FRENO ANTERIORE FRONT BRAKE CALIPER BLEED ASSY | ENTLUFTUNGSVENTIL EPURATEUR | 123 456 | |
| 16A | | 00G01301161 | TAPACUBOS LLANTA TRASERA COPRIMOZZO HUB CAP | ABDECKUNG FLASQUE | 123 456 | |
| 17A | | 00G01608051 | CTO.REENVIO ATLANTIS 14/9 RINVIO RETURN UNIT. | TACHOANTRIEB RENVOI DE ROUE | 123 456 | |
| 18A | | 00006083000 | TORNILLO EXAG C/BRIDA 8M125X30 VITE SCREW | SCHRAUBE VIS | 123 456 | |
| 19A | | 00H01301831 | MUELLE FIJ.PASTILLA FRENO TR. MOLLA FISSAGGIO PASTIGLIA FRENO REAR BRAKE PAD SECUR SPRING | FEDER RESSORT FIXATION PLAQUETTE FRE | 123 456 | |
| 20A | | 00G01308356 | CTO. LLANTA TRAS. GRIS CERCHIO POSTERIORE REAR WHEEL | FELGE HINTEN JANTE ARRIERE | 123 456 | |
| 21A | | 00232160021 | TUERCA EJE RUEDA TR.M16 DADO NUT | MUTTER ECROU | 123 456 | |
| 22A | | 00G01303191 | ARANDELA EJE RUEDA TR. RONDELLA WASHER | SCHEIBE RONDELLE | 123 456 | |

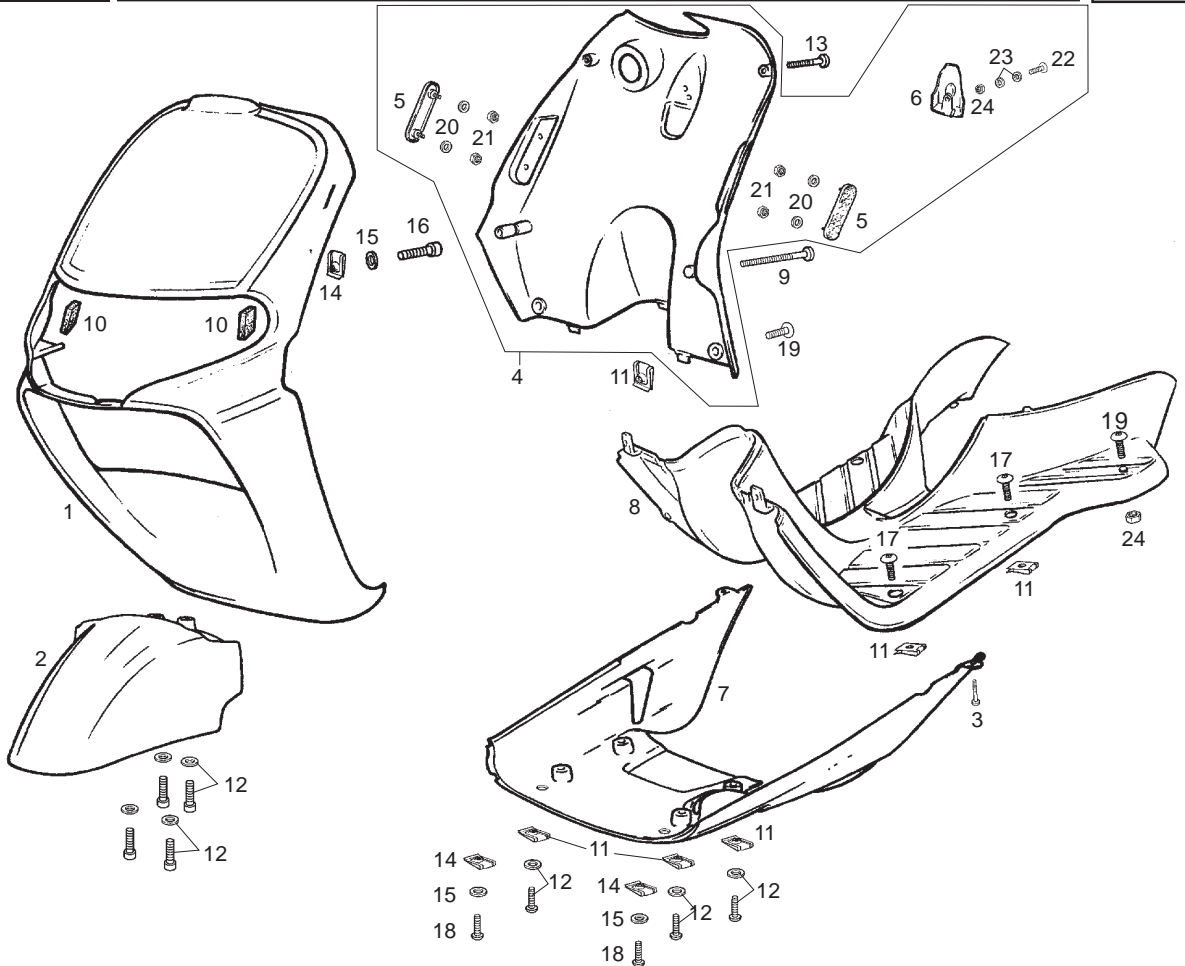


| Fig. | Ver. | COD. KOD. | DESCRIPCIÓN DENOMINAZIONE NAME | BEZEICHUNG DESIGNATION | MOD. | NOTAS NOTES NOTA MITSCHRIFT NOTES |
|------|------|-------------|--------------------------------------------------------------------------------|----------------------------------------------|------------|-----------------------------------|
| 23A | | 00003111110 | RODILLO PALANCA TRAS. RULLO LEVA POSTERIORE REAR LEVER ROLLER | BUCHSE ROULEAU LEVIER ARRIERE | 123 456 | |
| 24A | | 00G01100121 | PALOMILLA REGULAC.FRENO. GALLETTO REGOLAZIONE FRENO ADJUSTER, REAR BRAKE | EINSTELLUNG BREMSE PAPILLON REGLAGE FREIN | 123 456 | |
| 25A | | 2736235 | JUEGO DE ZAPATAS COPPIA GANASCE FRENO BRAKE SHOES COUPLE | BREMSBACKENSATZ COUPLE MÂCHOIRES FREIN | 123 456 | |
| 26A | | 266724 | CHAPA PIASTRA PLATE | PLATTE PLAQUE | 123 456 | |
| 27A | | 266725 | MUELLE MOLLA SPRING | FEDER RESSORT | 123 456 | |
| 28A | | 274245 | EJE PALANCA FRENO ASSE LEVA FRENO BRAKE LEVER SHAFT | BREMSHEBELLACHSE ESSIEUX LEVER FR. | 123 456 | |
| 29A | | 828863 | TORNILLO VITE SCREW | SCHRAUBE VIS | 123 456 | |
| 30A | | 828862 | TUERCA DADO NUT | MUTTER ECROU | 123 456 | |
| 31A | | 560796 | PALANCA DE FRENO LEVA FRENO BRAKE LEVER | BREMSHEBEL LEVIER DU FREIN | 123 456 | |
| 32A | | 273419 | GUARDAPOLVO PARAPOLVERE DUST COVER | STAUBDECKEL PARE-POUSSIÈRE | 123 456 | |
| 33A | | 00702009321 | PASADOR ABIERTO D4X32 SPINA PIN | STIFT GOUPILLE | 123 456 | |

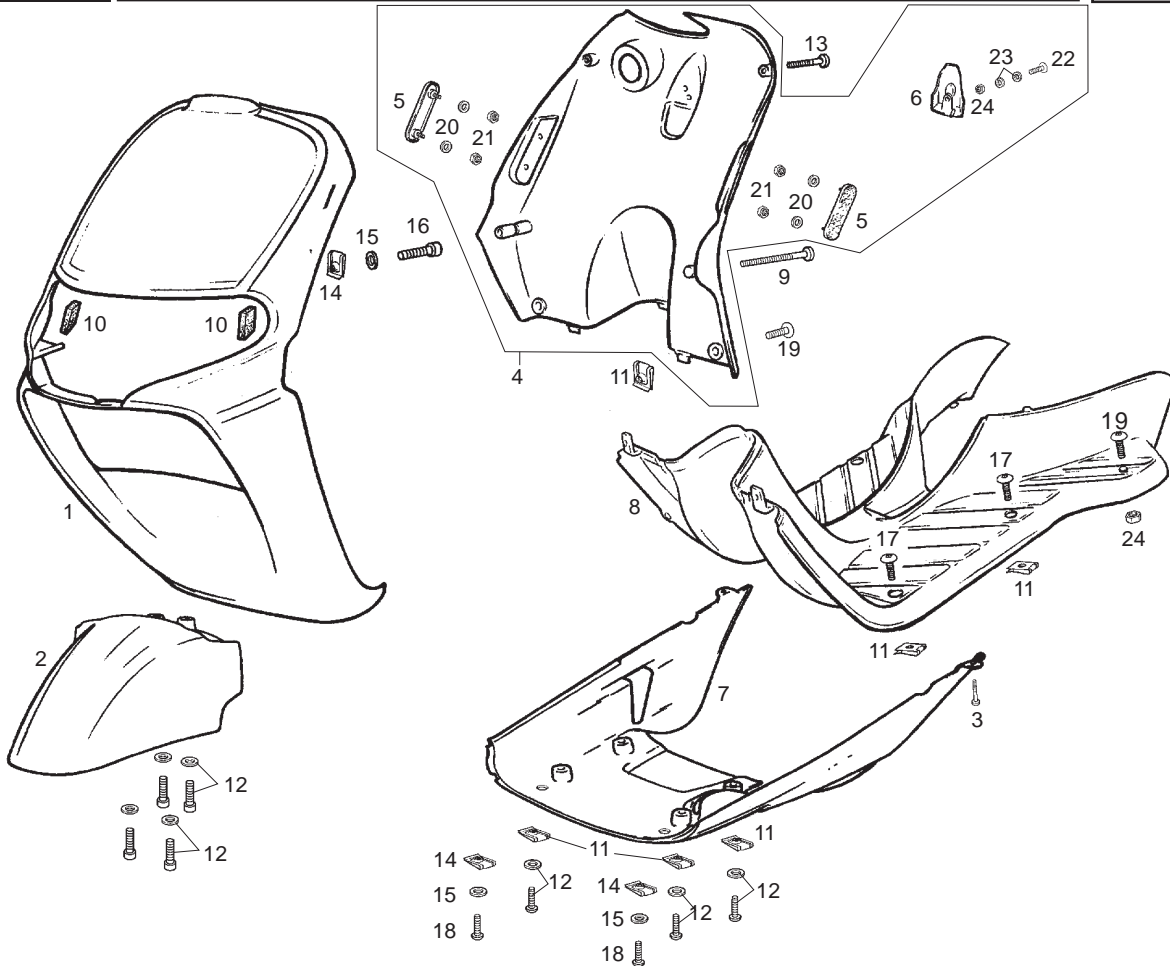


| Fig. | Ver. | COD. KOD. | DESCRIPCIÓN DENOMINAZIONE NAME | BEZEICHNUNG DESIGNATION | MOD. | NOTAS NOTES NOTA MITSCHRIFT NOTES |
|------|------|-------------|---------------------------------------------------------------|-------------------------|------------|-----------------------------------|
| 34A | | 00G02400111 | CAPUCHON TUERCA RUEDA TRASERA PROTEZIONE PROTEZIONE PROTECTOR | ABDECKUNG PROTECTEUR | 123 456 | |
| 35A | | 00G01900101 | GUIA CABLE FRENO TRASERO MOLLA GUIDA CABLE GUIDE | FEDER CABLE GUIDE | 123 456 | |
| 36A | | 00G03001091 | TORNILLO FIJACION 6X35 Zn.B VITE SCREW | SCHRAUBE VIS | 123 456 | |
| 37A | | 00G05801101 | PLACA FIJACION CABLE FRENO TRAS PIASTRINA PLAQUETTE | PLÄTTCHEN PLAQUETTE | 123 456 | |
| 38A | | 00G03000211 | TORNILLO FIJACION 6X25 VITE SCREW | SCHRAUBE VIS | 123 456 | |
| 39A | | 242364 | ANILLO ANELLO RING | RING CIRCLIPS | 123 456 | |

**PIEZAS SIN CALCAS
PARTS WITHOUT DECALS**



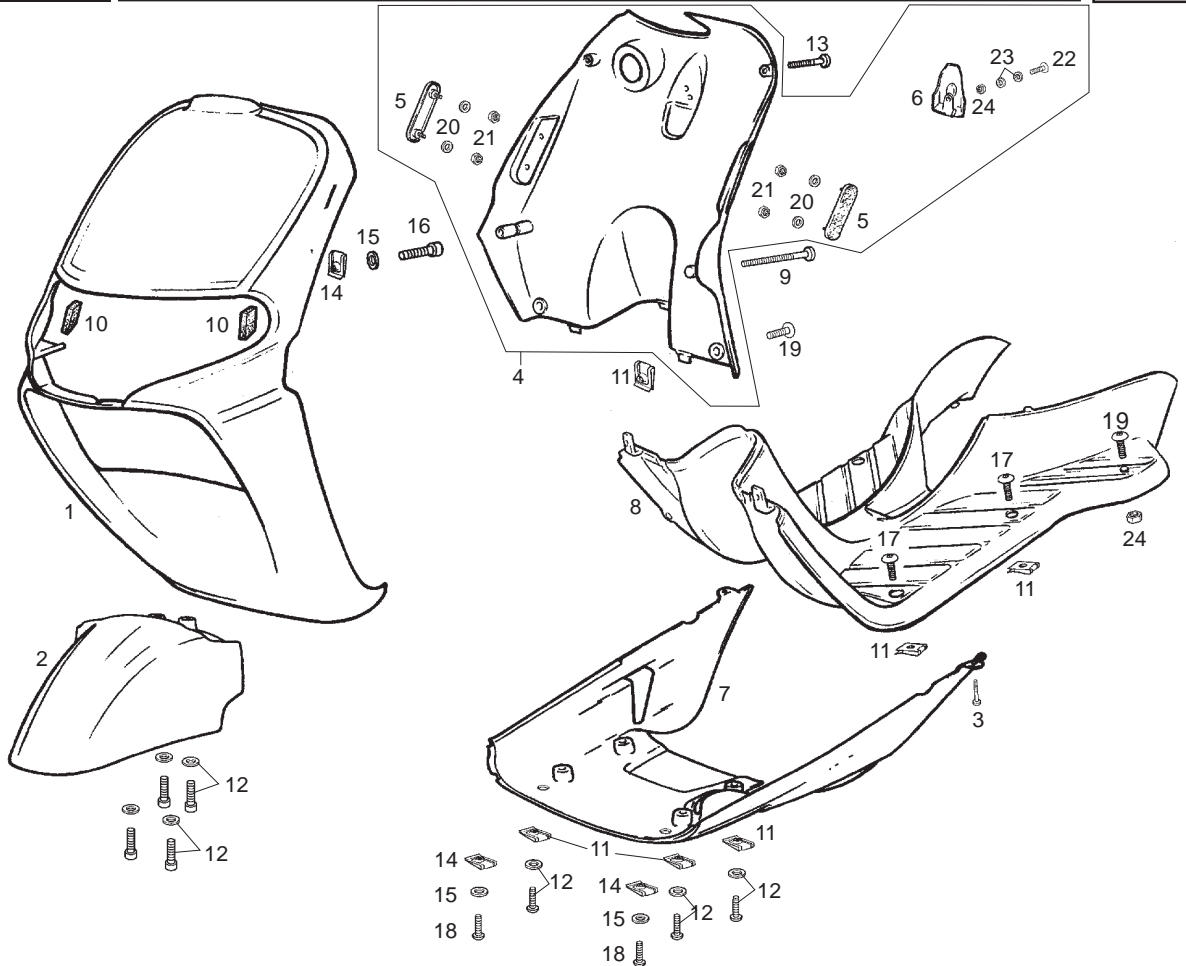
| Fig. | Ver. | COD. KOD. | DESCRIPCIÓN DENOMINAZIONE NAME | BEZEICHUNG DESIGNATION | MOD. | NOTAS NOTES NOTA MITSCHRIFT NOTES |
|------|------|-------------|-------------------------------------------------|--------------------------------|------|-----------------------------------|
| 01A | | 00G01512359 | ESCUDO FRONTAL SCUDO ANTERIORE FRONT SHIELD | FRONTSCHILD ECU FRONTAL | 1 | |
| 01B | | 00G01512357 | ESCUDO FRONTAL SCUDO ANTERIORE FRONT SHIELD | FRONTSCHILD ECU FRONTAL | 2 | |
| 01C | | 00G01512358 | ESCUDO FRONTAL SCUDO ANTERIORE FRONT SHIELD | FRONTSCHILD ECU FRONTAL | 3 | |
| 01D | | 00G01513351 | ESCUDO FRONTAL SCUDO ANTERIORE FRONT SHIELD | FRONTSCHILD ECU FRONTAL | 4 | |
| 01E | | 00G01512352 | ESCUDO FRONTAL SCUDO ANTERIORE FRONT SHIELD | FRONTSCHILD ECU FRONTAL | 5 | |
| 01F | | 00G01514354 | ESCUDO FRONTAL SCUDO ANTERIORE FRONT SHIELD | FRONTSCHILD ECU FRONTAL | 6 | |
| 02A | | 00G00713029 | GUARDABARRO DT PARAFANGO ANTERIORE FRONT FENDER | KOTFLUGEL VORNE GARDE BOUE AV. | 1 | |
| 02B | | 00G00713027 | GUARDABARRO DT PARAFANGO ANTERIORE FRONT FENDER | KOTFLUGEL VORNE GARDE BOUE AV. | 2 | |
| 02C | | 00G00713028 | GUARDABARRO DT PARAFANGO ANTERIORE FRONT FENDER | KOTFLUGEL VORNE GARDE BOUE AV. | 3 | |
| 02D | | 00G00714021 | GUARDABARRO DT PARAFANGO ANTERIORE FRONT FENDER | KOTFLUGEL VORNE GARDE BOUE AV. | 4 | |
| 02E | | 00G00713022 | GUARDABARRO DT PARAFANGO ANTERIORE FRONT FENDER | KOTFLUGEL VORNE GARDE BOUE AV. | 5 | |



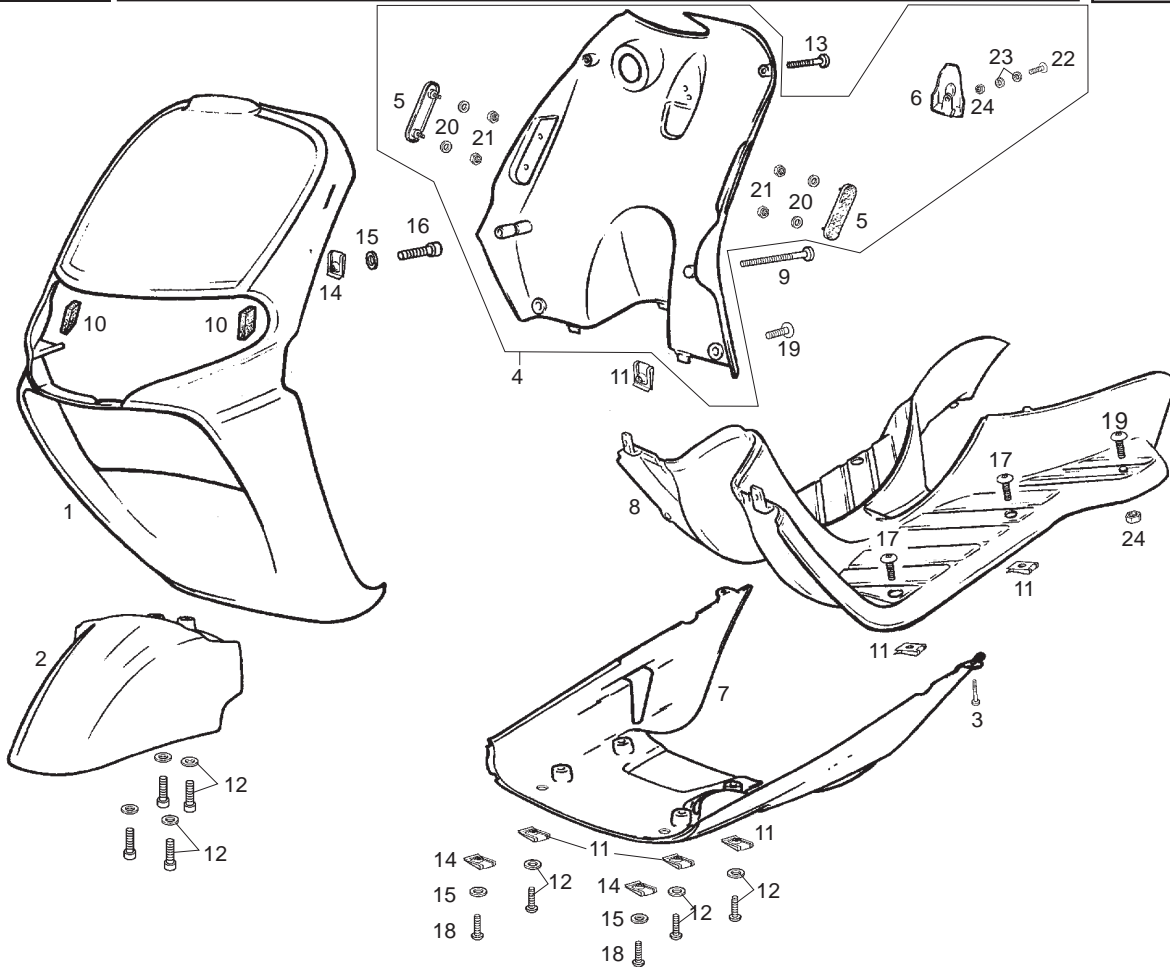
**PIEZAS SIN CALCAS
PARTS WITHOUT DECALS**

| Fig. | Ver. | COD. KOD. | DESCRIPCIÓN DENOMINAZIONE NAME | BEZEICHNUNG DESIGNATION | MOD. | NOTAS NOTES NOTA MITSCHRIFT NOTES |
|------|------|-------------|-------------------------------------------------------------------------------|---------------------------------------------------------|------------|-----------------------------------|
| 02F | | 00G00716024 | GUARDABARRO DT PARAFANGO ANTERIORE FRONT FENDER | KOTFLUGEL VORNE GARDE BOUE AV. | 6 | |
| 03A | | 00011051601 | TORNILLO AUTRCTE.5X16 VITE SCREW | SCHRAUBE VIS | 123 456 | |
| 04A | | 00G06803431 | INTERIOR ESCUDO FRONTAL NEGRO CONTROSCUDO FRONT SHIELD INNER | FRONTSCHILD INNEN INTER.ECU FR. | 1 3 4 6 | |
| 04B | | 00G06803432 | INTERIOR ESCUDO FRONTAL GRIS CONTROSCUDO FRONT SHIELD INNER | FRONTSCHILD INNEN INTER.ECU FR. | 2 5 | |
| 05A | | 00G04403751 | CATADIOPTRICO CATADIOTTRO REFLECTOR | RÜCKSTRAHLER CATADIOPTRE | 123 456 | |
| 06A | | 00G06301101 | GANCHO NEGRO GANCIO PORTABORSA PANNIER HOOK | HAKEN CROCHET | 1 3 4 6 | |
| 06B | | 00G06301102 | GANCHO GRIS GANCIO PORTABORSA PANNIER HOOK | HAKEN CROCHET | 2 5 | |
| 07A | | 00G05902861 | PROTECTOR INFERIOR NEGRO PROTETTORE INFERIORE TELAIO LOWER FRAME SHIELD | SCHUTZVERKLEIDUNG FAHRGESTELL PROTECTION INF.CHASSIS | 1 3 4 6 | |
| 07B | | 00G05902862 | PROTECTOR INFERIOR GRIS PROTETTORE INFERIORE TELAIO LOWER FRAME SHIELD | SCHUTZVERKLEIDUNG FAHRGESTELL PROTECTION INF.CHASSIS | 2 5 | |
| 08A | | 00G01504091 | REPOSAPIES NEGRO APPOGGIAPIEDI FOOTREST | FUSS-STUETZE REPOSE-PIED | 1 3 4 6 | |
| 08B | | 00G01504092 | REPOSAPIES GRIS APPOGGIAPIEDI FOOTREST | FUSS-STUETZE REPOSE-PIED | 2 5 | |

**PIEZAS SIN CALCAS
PARTS WITHOUT DECALS**



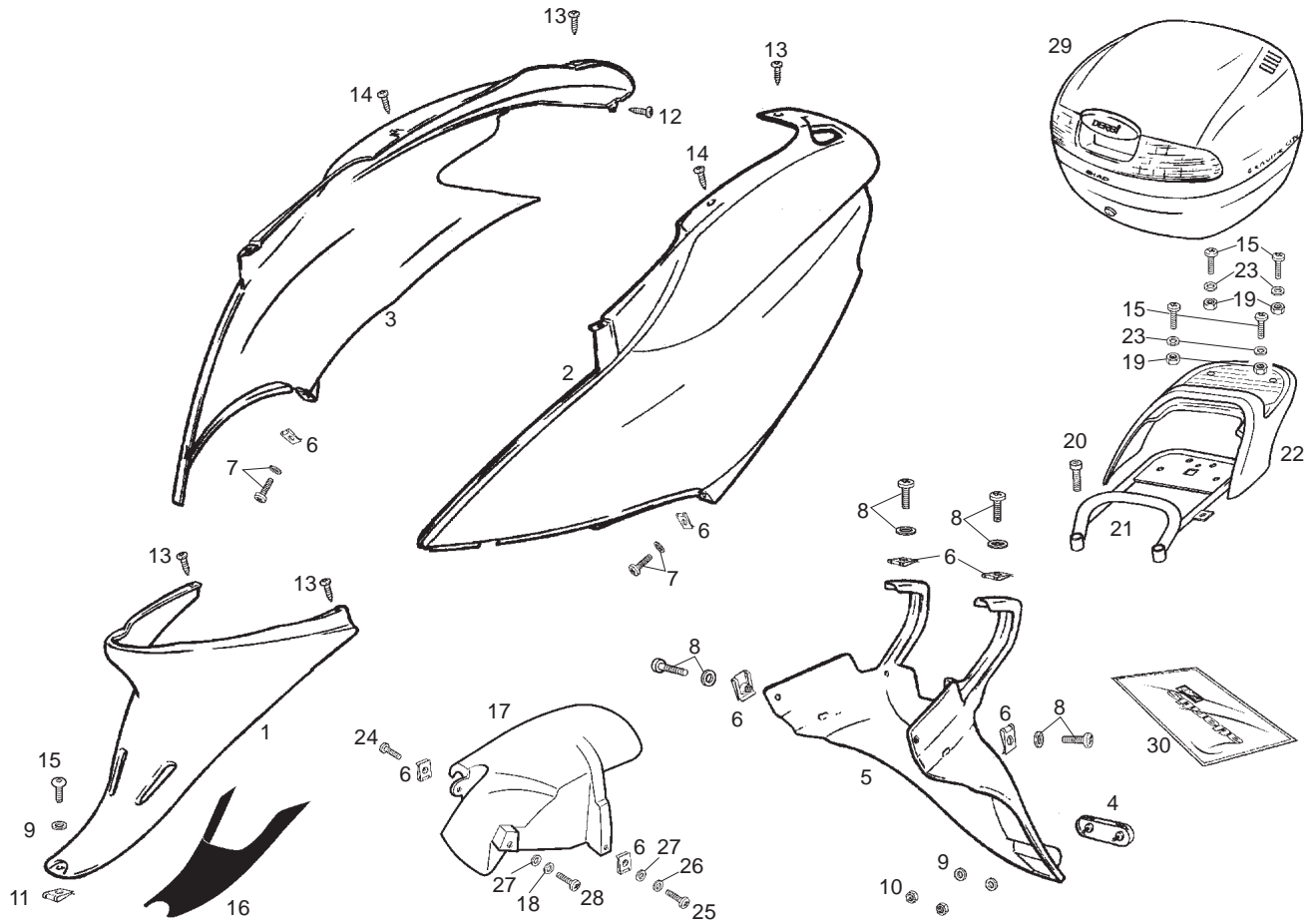
| Fig. | Ver. | COD. KOD. | DESCRIPCIÓN DENOMINAZIONE NAME | BEZEICHNUNG DESIGNATION | MOD. | NOTAS NOTES NOTA MITSCHRIFT NOTES |
|------|------|-------------|---------------------------------------------------------|--------------------------------------|------------|-----------------------------------|
| 09A | | 00011055001 | TORNILLO AUTRCTE.5,1X50 VITE SCREW | SCHRAUBE VIS | 123 456 | |
| 10A | | 00G05700101 | TOPE FARO DTRO.ATLANTIS FERMO FARO HEADLIGHT STOP | ANSCHLAG SCHEINWERFER BUTEE PHARE | 123 456 | |
| 11A | | 00D01501371 | TUERCA FIJ.CUBRECADENA DADO NUT | MUTTER ECROU | 123 456 | |
| 12A | | 00H05900021 | SCTO.TORNILLO 6M100X16 VITE SCREW | SCHRAUBE VIS | 123 456 | |
| 13A | | 00011051801 | TORNILLO AUTOROSCANTE 5,1X18 VITE SCREW | SCHRAUBE VIS | 123 456 | |
| 14A | | 00G04401462 | TUERCA FIJACION D5 DADO NUT | MUTTER ECROU | 123 456 | |
| 15A | | 00000031050 | ARANDELA PLANA MEC.D.5 RONDELLA WASHER | SCHEIBE RONDELLE | 123 456 | |
| 16A | | 00000004515 | TORNILLO C/ALLEN 5M80X15 VITE SCREW | SCHRAUBE VIS | 123 456 | |
| 17A | | 00G01504701 | TORNILLO FIJ.REPOSAPIES VECOS VITE SCREW | SCHRAUBE VIS | 123 456 | |
| 18A | | 00012151500 | TORNILLO C/RED.CRUZ.5M80X16 VITE SCREW | SCHRAUBE VIS | 123 456 | |
| 19A | | 00G01503701 | TORNILLO FIJ.ESC.FRONTAL HUNTER 5.6 VITE SCREW | SCHRAUBE VIS | 123 456 | |



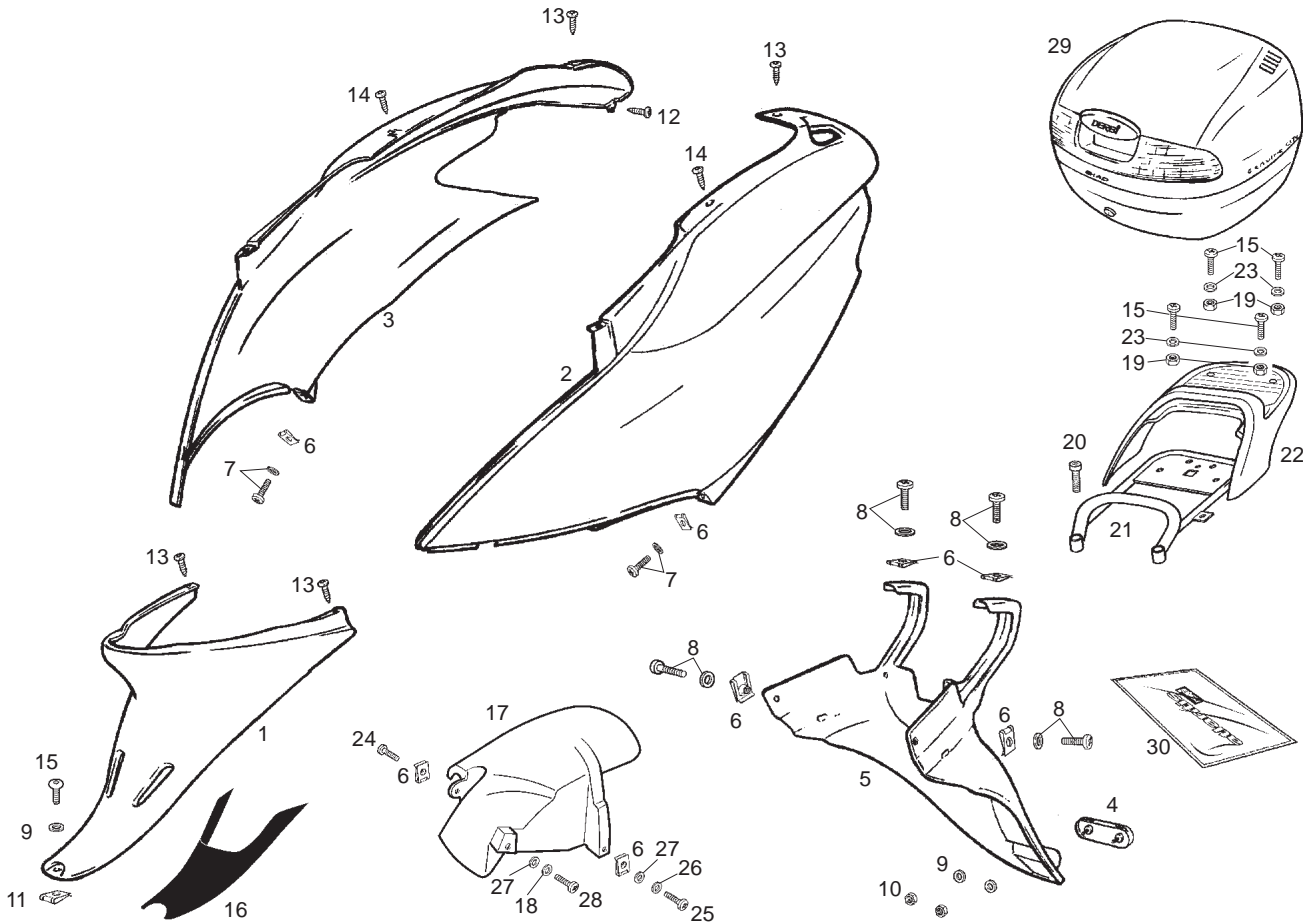
**PIEZAS SIN CALCAS
PARTS WITHOUT DECALS**

| Fig. | Ver. | COD. KOD. | DESCRIPCIÓN DENOMINAZIONE NAME | BEZEICHNUNG DESIGNATION | MOD. | NOTAS NOTES NOTA MITSCHRIFT NOTES |
|------|------|-------------|--------------------------------------------------------|-------------------------|------------|-----------------------------------|
| 20A | | 00D02600631 | ARANDELA TOPE MUELLE EMBRG.4-6V. RONDELLA WASHER | SCHEIBE RONDELLE | 123 456 | |
| 21A | | 00000023040 | TUERCA AUTOBLOC. 4M70 DADO NUT | MUTTER ECROU | 123 456 | |
| 22A | | 00008062500 | TORNILLO C/RED.ALLEN.6M100X25 VITE SCREW | SCHRAUBE VIS | 123 456 | |
| 23A | | 00000031060 | ARANDELA PLANA MECANIZ.D.6 RONDELLA WASHER | SCHEIBE RONDELLE | 123 456 | |
| 24A | | 00000023060 | TUERCA AUTOBLOC. 6M100 DADO NUT | MUTTER ECROU | 123 456 | |

**PIEZAS SIN CALCAS
PARTS WITHOUT DECALS**



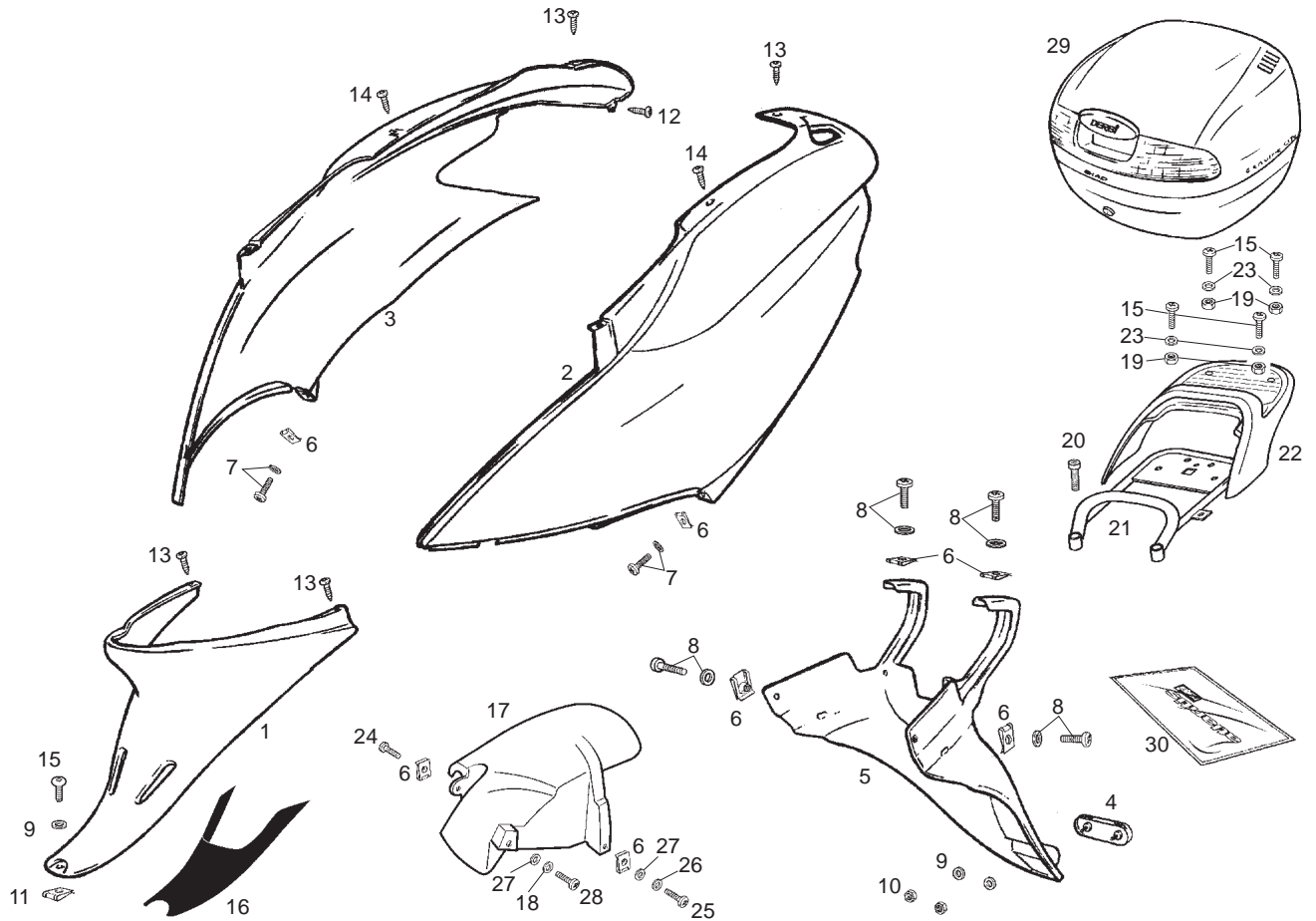
| Fig. | Ver. | COD. KOD. | DESCRIPCIÓN DENOMINAZIONE NAME | BEZEICHUNG DESIGNATION | MOD. | NOTAS NOTES NOTA MITSCHRIFT NOTES |
|------|------|-------------|---------------------------------------------------------------------------|------------------------------------------------------|------|-----------------------------------|
| 01A | | 00G05916839 | CUERPO INFERIOR SILLIN COPERTURA CENTRALE LOWER SADDLE BASE | SITZVERKLEIDUNG VORNE CORPS INFÉRIEUR SELLE | 1 | |
| 01B | | 00G05916837 | CUERPO INFERIOR SILLIN COPERTURA CENTRALE LOWER SADDLE BASE | SITZVERKLEIDUNG VORNE CORPS INFÉRIEUR SELLE | 2 | |
| 01C | | 00G05916838 | CUERPO INFERIOR SILLIN COPERTURA CENTRALE LOWER SADDLE BASE | SITZVERKLEIDUNG VORNE CORPS INFÉRIEUR SELLE | 3 | |
| 01D | | 00G05917831 | CUERPO INFERIOR SILLIN COPERTURA CENTRALE LOWER SADDLE BASE | SITZVERKLEIDUNG VORNE CORPS INFÉRIEUR SELLE | 4 | |
| 01E | | 00G05916832 | CUERPO INFERIOR SILLIN COPERTURA CENTRALE LOWER SADDLE BASE | SITZVERKLEIDUNG VORNE CORPS INFÉRIEUR SELLE | 5 | |
| 01F | | 00G05918831 | CUERPO INFERIOR SILLIN COPERTURA CENTRALE LOWER SADDLE BASE | SITZVERKLEIDUNG VORNE CORPS INFÉRIEUR SELLE | 6 | |
| 02A | | 00G06812329 | TAPA LATERAL IZQUIERDA COPERCHIO LATERALE SINISTRO LH SIDE COVER SUB/ASSY | SEITENABDECKUNG LINKS R-S-ENSEMBLE COUVERCLE LATERAL | 1 | |
| 02B | | 00G06812327 | TAPA LATERAL IZQUIERDA COPERCHIO LATERALE SINISTRO LH SIDE COVER SUB/ASSY | SEITENABDECKUNG LINKS R-S-ENSEMBLE COUVERCLE LATERAL | 2 | |
| 02C | | 00G06812328 | TAPA LATERAL IZQUIERDA COPERCHIO LATERALE SINISTRO LH SIDE COVER SUB/ASSY | SEITENABDECKUNG LINKS R-S-ENSEMBLE COUVERCLE LATERAL | 3 | |
| 02D | | 00G06813321 | TAPA LATERAL IZQUIERDA COPERCHIO LATERALE SINISTRO LH SIDE COVER SUB/ASSY | SEITENABDECKUNG LINKS R-S-ENSEMBLE COUVERCLE LATERAL | 4 | |
| 02E | | 00G06812322 | TAPA LATERAL IZQUIERDA COPERCHIO LATERALE SINISTRO LH SIDE COVER SUB/ASSY | SEITENABDECKUNG LINKS R-S-ENSEMBLE COUVERCLE LATERAL | 5 | |



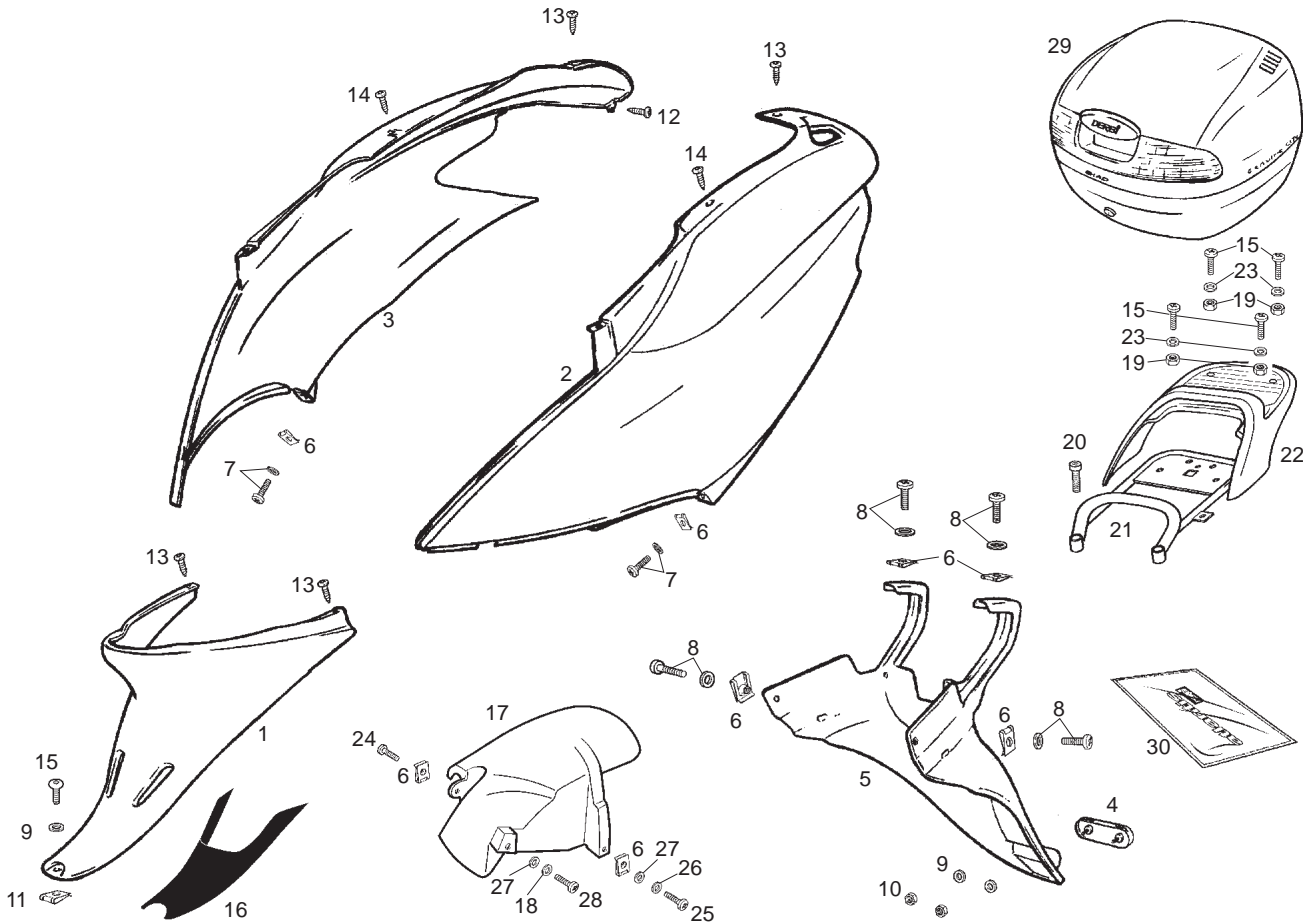
**PIEZAS SIN CALCAS
PARTS WITHOUT DECALS**

| Fig. | Ver. | COD. KOD. | DESCRIPCIÓN DENOMINAZIONE NAME | BEZEICHNUNG DESIGNATION | MOD. | NOTAS NOTES NOTA MITSCHRIFT NOTES |
|------|------|-------------|---------------------------------------------------------------------------------------|------------------------------------------------------|------------|-----------------------------------|
| 02F | | 00G06817323 | TAPA LATERAL IZQUIERDA COPERCHIO LATERALE SINISTRO LH SIDE COVER SUB/ASSY | SEITENABDECKUNG LINKS R-S-ENSEMBLE COUVERCLE LATERAL | 6 | |
| 03A | | 00G01513239 | TAPA LATERAL DERECHA COPERCHIO LATERALE DESTRO RIGHT-HAND SIDE COVER | SEITENABDECKUNG R-S-ENSEMBLE COUVERCLE LATERAL | 1 | |
| 03B | | 00G01513237 | TAPA LATERAL DERECHA COPERCHIO LATERALE DESTRO RIGHT-HAND SIDE COVER | SEITENABDECKUNG R-S-ENSEMBLE COUVERCLE LATERAL | 2 | |
| 03C | | 00G01513238 | TAPA LATERAL DERECHA COPERCHIO LATERALE DESTRO RIGHT-HAND SIDE COVER | SEITENABDECKUNG R-S-ENSEMBLE COUVERCLE LATERAL | 3 | |
| 03D | | 00G01514231 | TAPA LATERAL DERECHA COPERCHIO LATERALE DESTRO RIGHT-HAND SIDE COVER | SEITENABDECKUNG R-S-ENSEMBLE COUVERCLE LATERAL | 4 | |
| 03E | | 00G01513232 | TAPA LATERAL DERECHA COPERCHIO LATERALE DESTRO RIGHT-HAND SIDE COVER | SEITENABDECKUNG R-S-ENSEMBLE COUVERCLE LATERAL | 5 | |
| 03F | | 00G01515237 | TAPA LATERAL DERECHA COPERCHIO LATERALE DESTRO RIGHT-HAND SIDE COVER | SEITENABDECKUNG R-S-ENSEMBLE COUVERCLE LATERAL | 6 | |
| 04A | | 00G04403752 | CATADIOPTRICOS ROJO.ATLANTIS CATARIFRANGENTI REFLECTOR | SEITLICHE RÜCKSTRAHLER CATADIOPTRIS | 123 456 | |
| 05A | | 00G01507861 | SUP. GUARDABARRO TRASERO NEGRO SUPPLEMENTO PARAFANGHI POSTERI REAR MUDGUARD EXTENSION | SPRITZSCHUTZ HINTEN SUPPL.DE GARDE-BOUE ARRIERE H. | 1 3 4 6 | |
| 05B | | 00G01507862 | SUP. GUARDABARRO TRASERO GRIS SUPPLEMENTO PARAFANGHI POSTERI REAR MUDGUARD EXTENSION | SPRITZSCHUTZ HINTEN SUPPL.DE GARDE-BOUE ARRIERE H. | 2 5 | |
| 06A | | 00D01501371 | TUERCA FIJ. CUBRECADENA DADO NUT | MUTTER ECROU | 123 456 | |

**PIEZAS SIN CALCAS
PARTS WITHOUT DECALS**



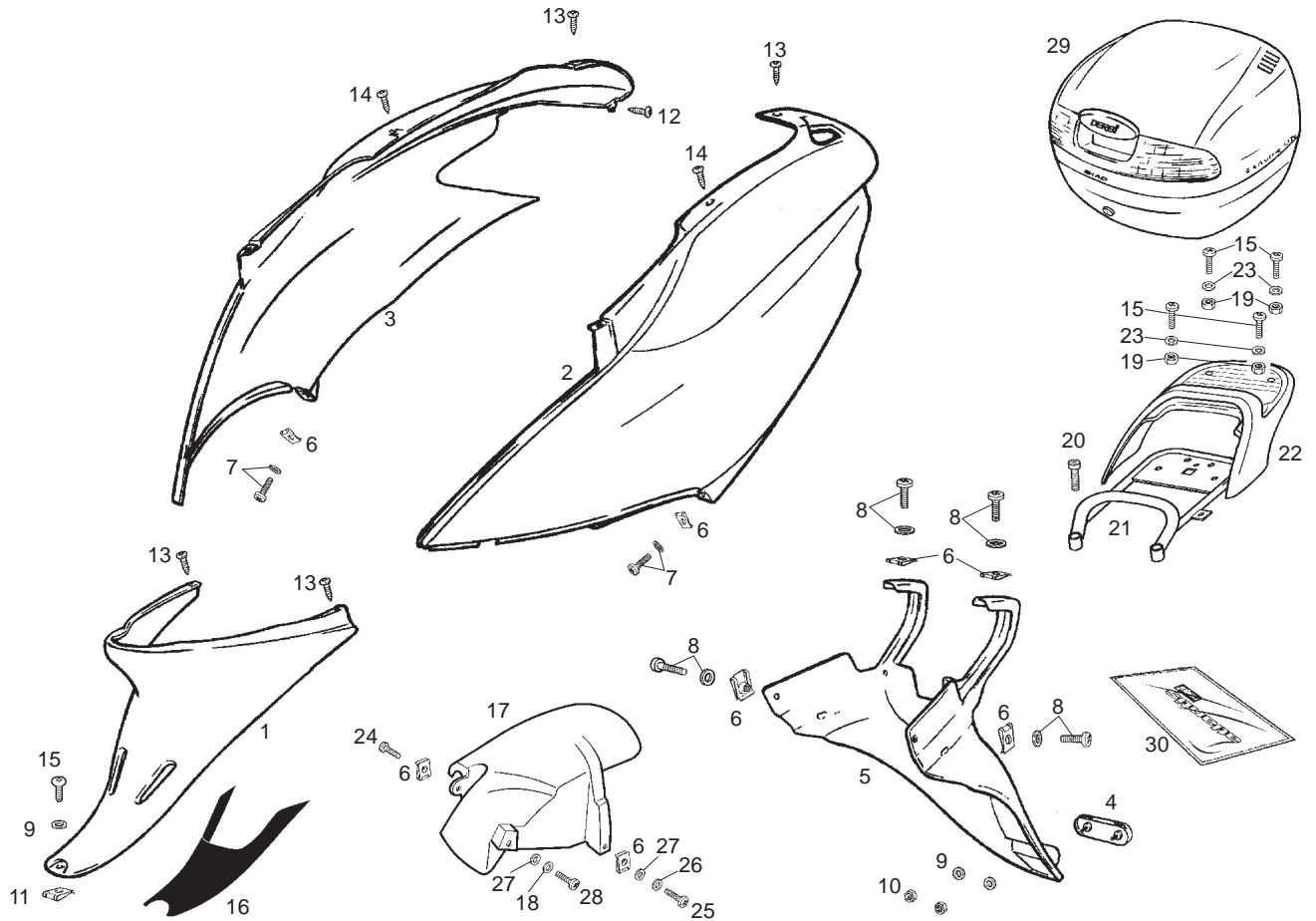
| Fig. | Ver. | COD. KOD. | DESCRIPCIÓN DENOMINAZIONE NAME | BEZEICHUNG DESIGNATION | MOD. | NOTAS NOTES NOTA MITSCHRIFT NOTES |
|------|------|-------------|--------------------------------------------------------------|-------------------------------------|------------|-----------------------------------|
| 07A | | 00F05900041 | SCTO.TORNILLO 6M100X16 VITE SCREW | SCHRAUBE VIS | 123 456 | |
| 08A | | 00H05900021 | SCTO.TORNILLO 6M100X16 VITE SCREW | SCHRAUBE VIS | 123 456 | |
| 09A | | 00D02600631 | ARANDELA TOPE MUELLE EMBRG.4-6V RONDELLA WASHER | SCHEIBE RONDELLE | 123 456 | |
| 10A | | 00000023040 | TUERCA AUTOBLOC. 4M70 DADO NUT | MUTTER ECROU | 123 456 | |
| 11A | | 00G04401462 | TUERCA FIJACION DADO NUT | MUTTER ECROU | 123 456 | |
| 12A | | 00011032501 | TORNILLO AUTRCTE.3,6X25 VITE SCREW | SCHRAUBE VIS | 123 456 | |
| 13A | | 00011051801 | TORNILLO AUTRCTE.5,1X18 VITE SCREW | SCHRAUBE VIS | 123 456 | |
| 14A | | 00011051601 | TORNILLO AUTRCTE.5,1X16 VITE SCREW | SCHRAUBE VIS | 123 456 | |
| 15A | | 00012151500 | TORNILLO C/RED.CRUZ.5M80X16 VITE SCREW | SCHRAUBE VIS | 123 456 | |
| 16A | | 00G04607501 | CALCA CUERPO INF. SILLIN ADESIVO DECAL | SCHRIFTZUG ADHESIF | 123 456 | |
| 17A | | 00G00704141 | GUARDABARRO TRASERO PARAFANGO POSTERIORE REAR MUDGUARD | KOTFLUGEL HI. GARDE-BOUE ARRIERE | 123 456 | |



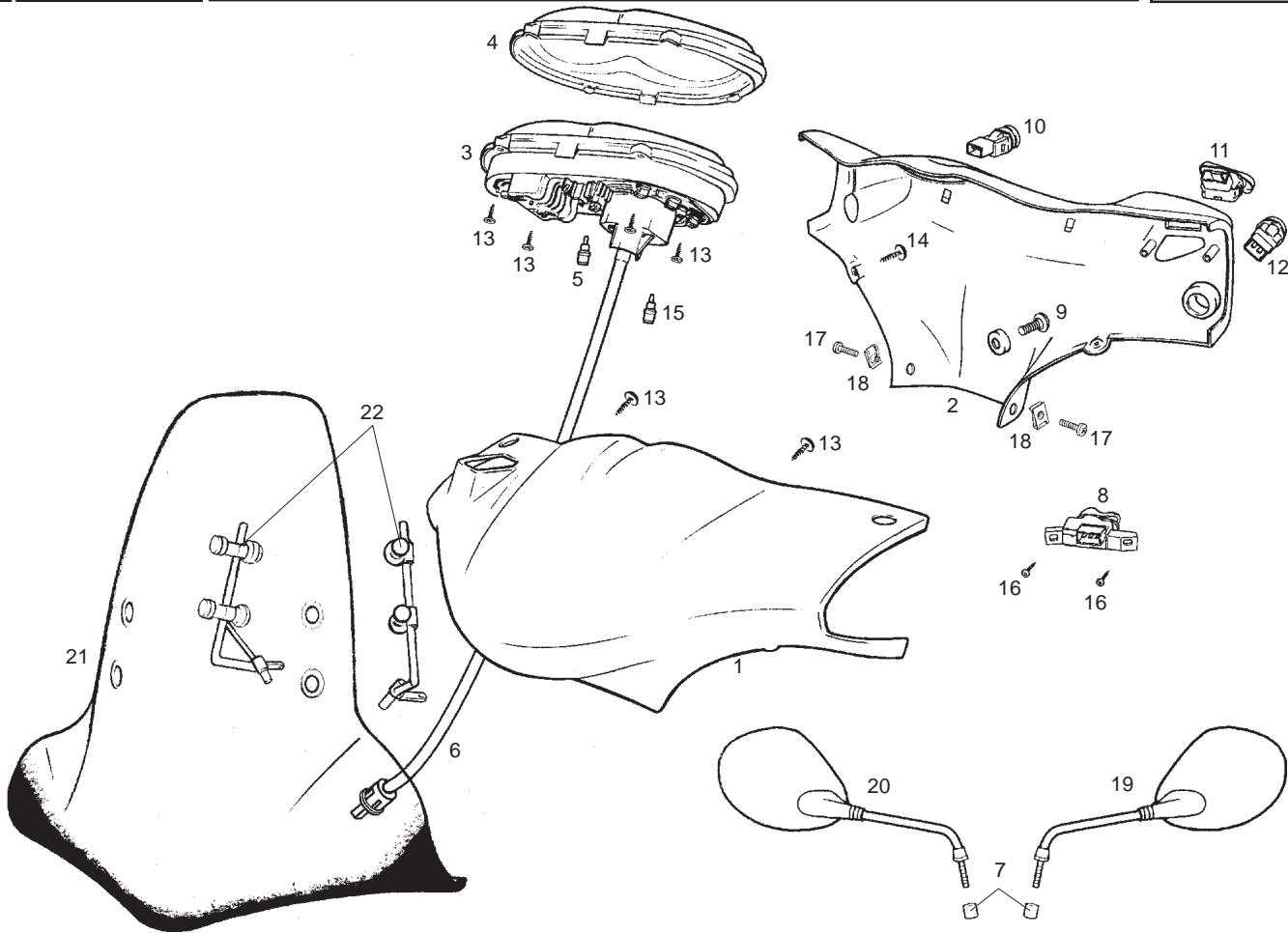
**PIEZAS SIN CALCAS
PARTS WITHOUT DECALS**

| Fig. | Ver. | COD. KOD. | DESCRIPCIÓN DENOMINAZIONE NAME | BEZEICHNUNG DESIGNATION | MOD. | NOTAS NOTES NOTA MITSCHRIFT NOTES |
|------|------|-------------|-----------------------------------------------------------------------------|-----------------------------------------------------|------------|-----------------------------------|
| 18A | | 00402060001 | ARANDELA D6 RONDELLA WASHER | SCHEIBE RONDELLE | 123 456 | |
| 19A | | 00000023051 | TUERCA FIJ.CARENADO A SOPTE.D.5 DADO NUT | MUTTER ECROU | 123 456 | |
| 20A | | 00000004830 | TORNILLO C/ALLEN.8X30 VITE SCREW | SCHRAUBE VIS | 123 456 | |
| 21A | | 00G01409191 | R-SCTO PORTAPAQUETES PORTAPACCHI LUGGAGE CARRIER | GEPÄCKRTRÄGER PORTE-BAGAGES | 123 456 | |
| 22A | | 00G01404241 | TAPA SUP.PORTAPAQUETES NEGRA COPERCHIO PORTAPACCHI UPPER LUGGAGE RACK COVER | OBERCECKEL GEPAKHALTER COUVERCLE SUP. PORTE-BAGAGES | 1 3 4 6 | |
| 22B | | 00G01404242 | TAPA SUP.PORTAPAQUETES GRIS COPERCHIO PORTAPACCHI UPPER LUGGAGE RACK COVER | OBERCECKEL GEPAKHALTER COUVERCLE SUP. PORTE-BAGAGES | 2 5 | |
| 23A | | 00000031050 | ARANDELA PLANA MEC.D.5. RONDELLA WASHER | SCHEIBE RONDELLE | 123 456 | |
| 24A | | 00G01505701 | TORNILLO FIJACION GUARD.TRAS. VITE SCREW | SCHRAUBE VIS | 123 456 | |
| 25A | | 00092063514 | TORNILLO 6M100X35 VITE SCREW | SCHRAUBE VIS | 123 456 | |
| 26A | | 00D01200171 | ARANDELA D6 RONDELLA WASHER | SCHEIBE RONDELLE | 123 456 | |
| 27A | | 00432060002 | ARANDELA D6 RONDELLA WASHER | SCHEIBE RONDELLE | 123 456 | |

**PIEZAS SIN CALCAS
PARTS WITHOUT DECALS**



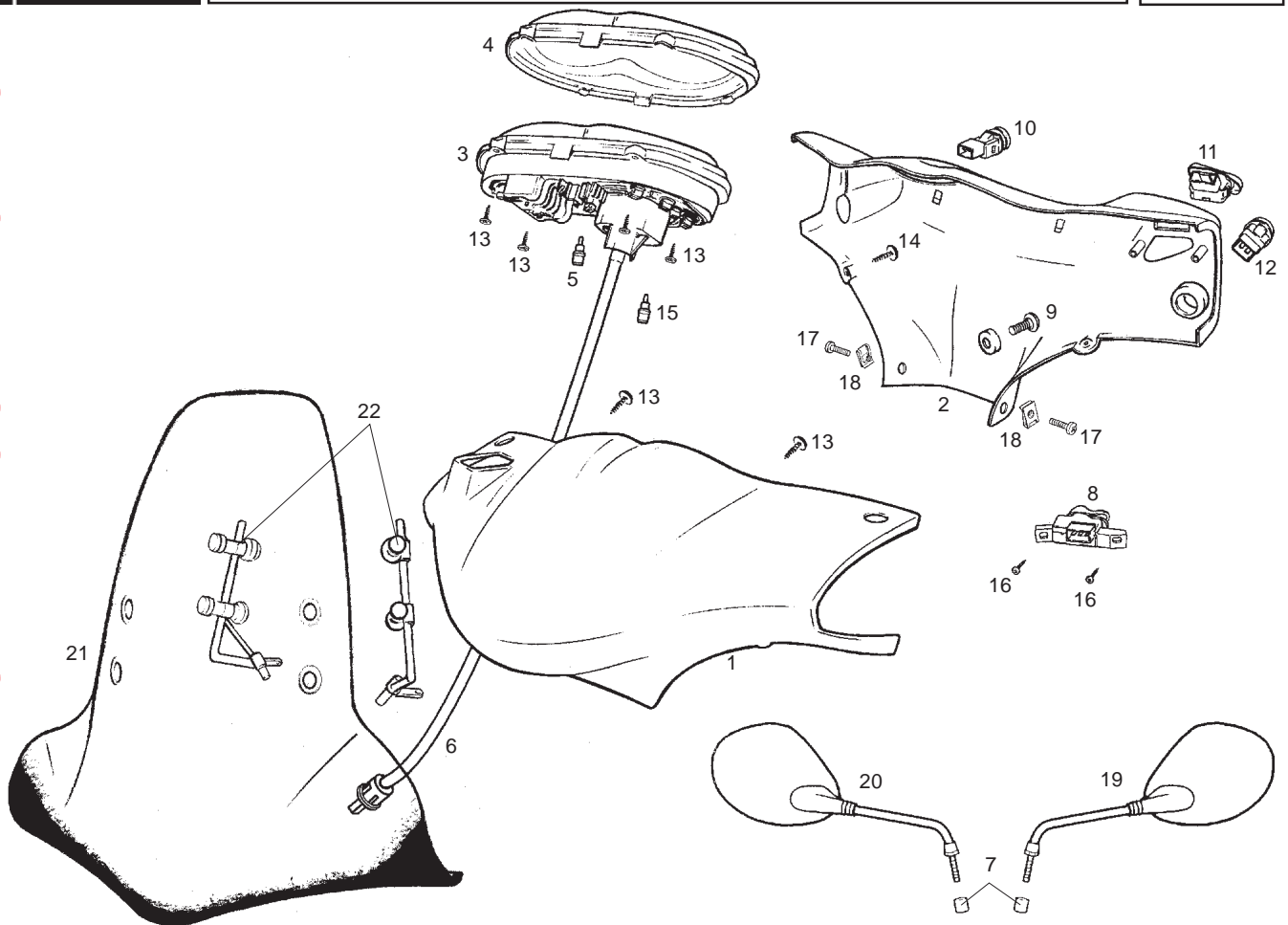
| Fig. | Ver. | COD. KOD. | DESCRIPCIÓN DENOMINAZIONE NAME | BEZEICHNUNG DESIGNATION | MOD. | NOTAS NOTES NOTA MITSCHRIFT NOTES |
|------|------|-------------|----------------------------------------------------------------------|-----------------------------------|------------|-----------------------------------|
| 28A | | 00092062014 | TORNILLO 6M100X20 VITE SCREW | SCHRAUBE VIS | 123 456 | |
| 29A | | 00G04900441 | TOP CASE NEGRO PINTADO TOP CASE NERO BLACK PAINTED TOP CASE | TOP CASE SCHWARZ TOP CASE NOIR | 123 456 | |
| 29A | | 00G04900551 | TOP CASE NEGRO INYECTADO TOP CASE NERO BLACK INJECTED TOP CASE | TOP CASE SCHWARZ TOP CASE NOIR | 123 456 | |
| 30A | | 00G05154651 | R-JUEGO CALCAS ATLANTIS CITY COMPL. ADESIVI DECALS ASSY | AUFKLEBERSATZ JEU ADHESIF | 123 456 | |



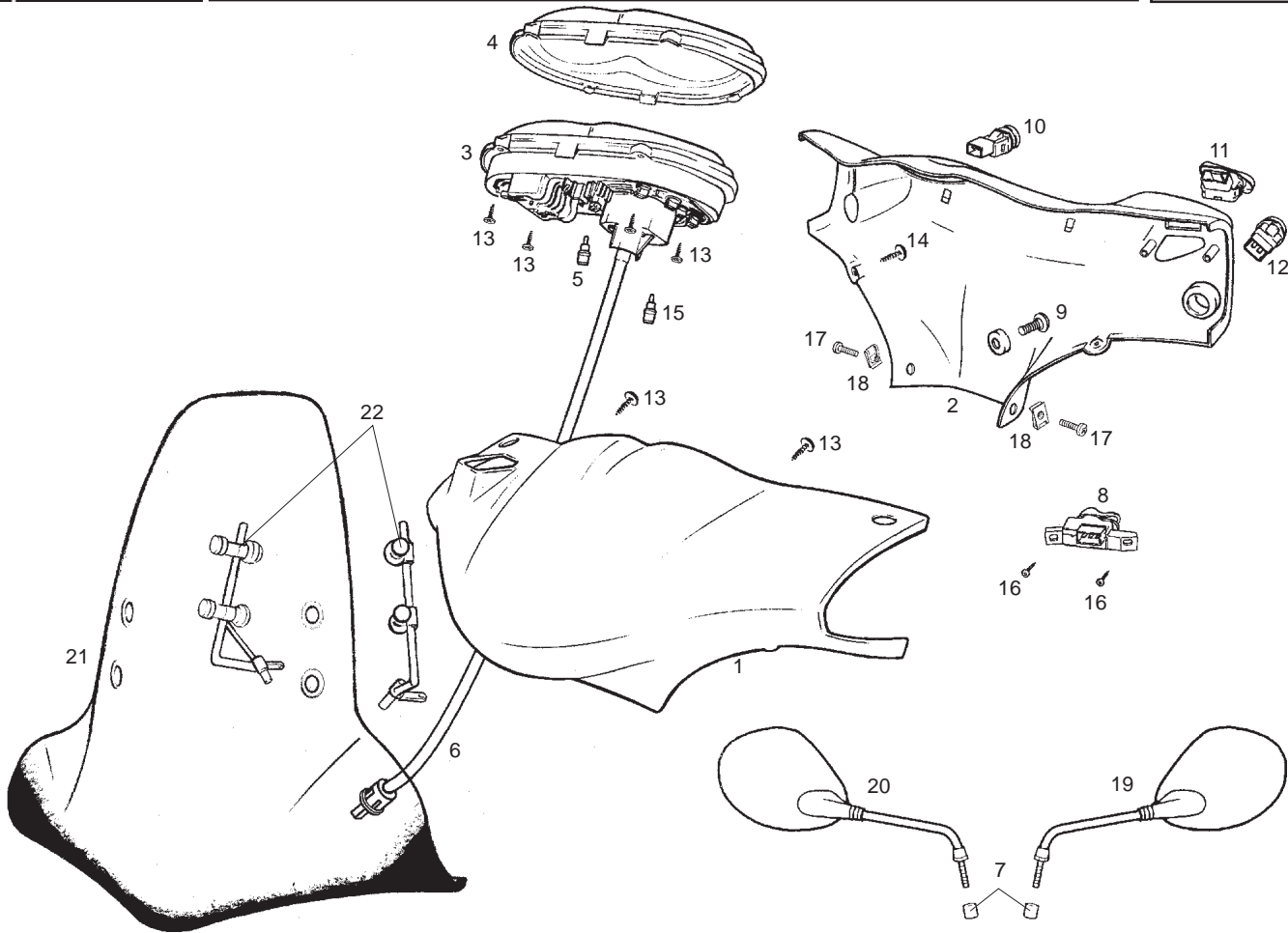
**PIEZAS SIN CALCAS
PARTS WITHOUT DECALS**

| Fig. | Ver. | COD. KOD. | DESCRIPCIÓN DENOMINAZIONE NAME | BEZEICHUNG DESIGNATION | MOD. | NOTAS NOTES NOTA MITSCHRIFT NOTES |
|------|------|-------------|------------------------------------------------------------------------------|------------------------------------------------------------|------------|-----------------------------------|
| 01A | | 00G01018517 | CARCASA FRONTAL COPRIMANUBRIO ANTERIORE FRONT BODY PANEL | LENKERDEKEL VORDERER CACHE DIRECTION AV. | 1 | |
| 01B | | 00G01018515 | CARCASA FRONTAL COPRIMANUBRIO ANTERIORE FRONT BODY PANEL | LENKERDEKEL VORDERER CACHE DIRECTION AV. | 2 | |
| 01C | | 00G01018516 | CARCASA FRONTAL COPRIMANUBRIO ANTERIORE FRONT BODY PANEL | LENKERDEKEL VORDERER CACHE DIRECTION AV. | 3 | |
| 01D | | 00G01018518 | CARCASA FRONTAL COPRIMANUBRIO ANTERIORE FRONT BODY PANEL | LENKERDEKEL VORDERER CACHE DIRECTION AV. | 4 | |
| 01E | | 00G01019513 | CARCASA FRONTAL COPRIMANUBRIO ANTERIORE FRONT BODY PANEL | LENKERDEKEL VORDERER CACHE DIRECTION AV. | 5 | |
| 01F | | 00G01021511 | CARCASA FRONTAL COPRIMANUBRIO ANTERIORE FRONT BODY PANEL | LENKERDEKEL VORDERER CACHE DIRECTION AV. | 6 | |
| 02A | | 00G01011521 | CARCASA POSTERIOR NEGRA CARENATURA POSTERIORE REAR BODY PANEL | LENKERDEKEL HINTERER CACHE DIRECTION AR. | 1 3 4 6 | |
| 02B | | 00G01011522 | CARCASA POSTERIOR GRIS CARENATURA POSTERIORE REAR BODY PANEL | LENKERDEKEL HINTERER CACHE DIRECTION AR. | 2 5 | |
| 03A | | 00G01629521 | CTO. TABLIER PORTAINSTRUMENTOS CRUSCOTTO KM/H APRON INSTRUMENTATION KM/H | COCKPIT KM/H ENSEMBLE COMPTEUR KM/H | 123 456 | |
| 04A | | 00G01604071 | R-CRISTAL TABLIER C/KMS.ATLANT PROTEZIONE TRASPARENTE TRANSPARENT PROTECTION | GLAS KILOMETERZAEHLER GLACE COMPTEUR KILOMETRIQUE | 123 456 | |
| 05A | | 00G01602581 | R-CTO.PORTALAMP./LAMP.12V.1,2W PORTALAMPADE BULB HOLDER AND 12V 1.2W BULB | LAMPENHALTER/LAMPE 12V.1,2W R-ENS.PORTE-LAMPE/LAMPE 12V 1, | 123 456 | |

**PIEZAS SIN CALCAS
PARTS WITHOUT DECALS**

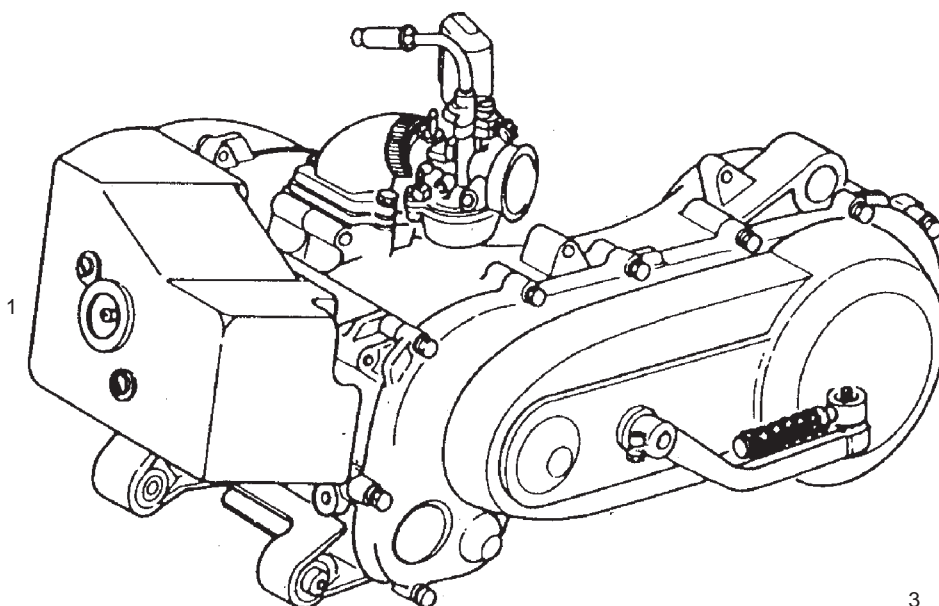


| Fig. | Ver. | COD. KOD. | DESCRIPCIÓN DENOMINAZIONE NAME | BEZEICHUNG DESIGNATION | MOD. | NOTAS NOTES NOTA MITSCHRIFT NOTES |
|------|------|-------------|--------------------------------------------------------------------------------------|--------------------------------------------------------|------------|-----------------------------------|
| 06A | | 00G01605021 | CTO.CABLE-FDA CTA.KM. DIESIS CABLE CABLE DUCT.KM.COUNTER | TACHOWELLE CABLE COMPTEUR | 123 456 | |
| 07A | | 00D04900581 | CASQ.SUPLEMTO.ESPARR.RETROV. GHIERA SPACER | GEWINDERING DOUILLE | 123 456 | |
| 08A | | 00G01703701 | CTO.CONMUT.INTTES.ATLANTIS COMMUTATORE INTERMITTENTE SWITCH,TURN.SIGNA LLIGHTS | BLINKLICHTUMSCHALTER ENSEMB.COMMUTATEUR CLIGNOTANTS | 123 456 | |
| 09A | | 00G01503701 | TORNILLO FIJ.ESC.FRONTAL HUNTER 5.6 VITE SCREW | SCHRAUBE VIS | 123 456 | |
| 10A | | 00G02101631 | CTO.CONMUT.ARRQ.ELECTR.ATLANTI COMMUTARORE AVVIAM.ELETTTR SWITCH SPRING HOLDER | ANLASSER ENSEMBLE COMMUTATEUR DEMARRAGE | 123 456 | |
| 11A | | 00G02303171 | CTO.CONMUT.LUCES ATLANTIS COMMUTARORE LUCI LIGHT SWITCH | LICHTUMSCHALTER ENSEMBLE COMMUTATEUR PHARES | 123 456 | |
| 12A | | 00G01001811 | CTO.PULSADOR CLAXON ATLANTIS BOTONE CLACSON HORN,PULSATOR | HUPKNOPF ENSEMBLE POUSSOIR CLAXON | 123 456 | |
| 13A | | 00011031401 | TORNILLO AUTRCTE.3,6X14 VITE SCREW | SCHRAUBE VIS | 123 456 | |
| 14A | | 00011031801 | TORNILLO AUTRCTE.3,6X18 VITE SCREW | SCHRAUBE VIS | 123 456 | |
| 15A | | 00G01601581 | R-CTO.PORTALAMP./LAMP.12V.2W. PORTALAMPADA 12V. SOCKET,BULB | LAMPE 12V.2W. ENSEMBLE PORTE-LAMPE/LAMPE | 123 456 | |
| 16A | | 00011031001 | TORNILLO AUTRCTE.3,6X10 VITE SCREW | SCHRAUBE VIS | 123 456 | |

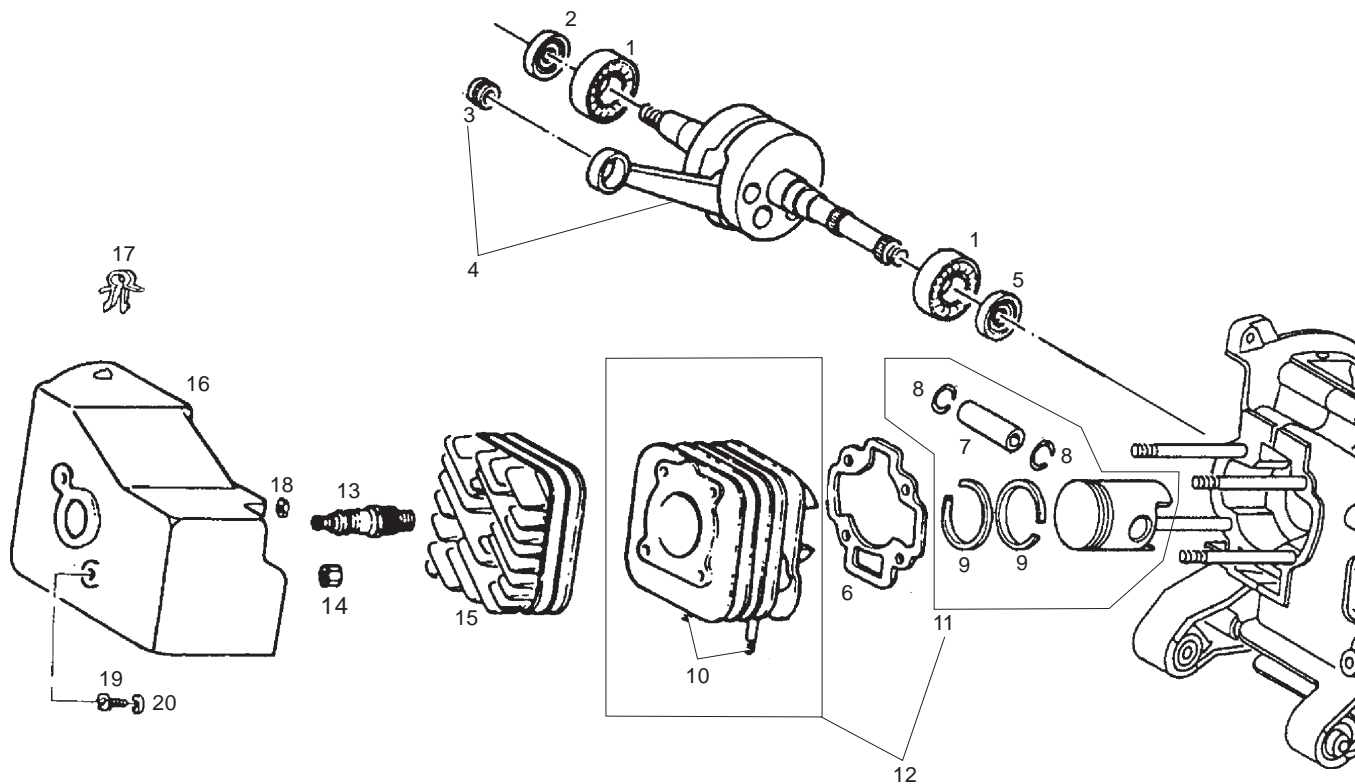


**PIEZAS SIN CALCAS
PARTS WITHOUT DECALS**

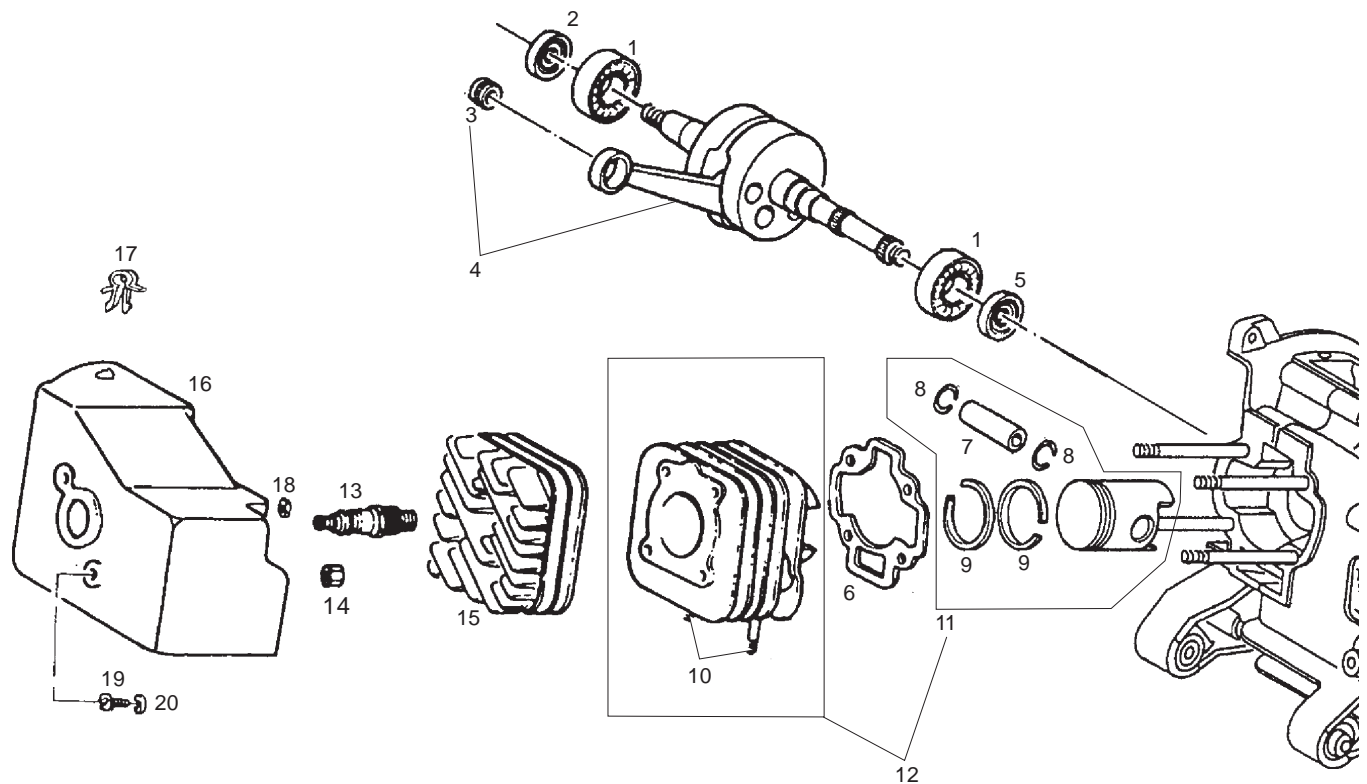
| Fig. | Ver. | COD. KOD. | DESCRIPCIÓN DENOMINAZIONE NAME | BEZEICHNUNG DESIGNATION | MOD. | NOTAS NOTES NOTA MITSCHRIFT NOTES |
|------|------|-------------|---------------------------------------------------------------------------|----------------------------------------------|------------|-----------------------------------|
| 17A | | 00008051200 | TORNILLO C/ESF. 5X12 VITE SCREW | SCHRAUBE VIS | 123 456 | |
| 18A | | 00G04401462 | TUERCA FIJACION D5 DADO NUT | MUTTER ECROU | 123 456 | |
| 19A | | 00G04610921 | CTO. ESPEJO RETROVISOR IZQUIERDO SPECCHIO S. MIRROR L. | SPIEGEL LINKE RÉTROVISEUR GAUCHE | 123 456 | |
| 20A | | 00G02209671 | CTO. ESPEJO RETROVISOR DERECHO SPECCHIO D. MIRROR R. | SPIEGEL RECHT RÉTROVISEUR DROITE | 123 456 | |
| 21A | | 00G01502751 | CTO.PARABRISAS DT.ATLANTIS PARABREZZA ANTERIORE WINDSCREEN KIT ASSY | WINDSCHUTZSCHEIBE VORNE PARE-BRISE AVANT | 123 456 | |
| 22A | | 00G05203611 | SOPORTE PARABRISAS APOGGIO PARABREZZA WINDSCREEN SUPPORT | WINDSCHUTZSCHEIBE STUTZE APPUI PARE-BRISE | 123 456 | |



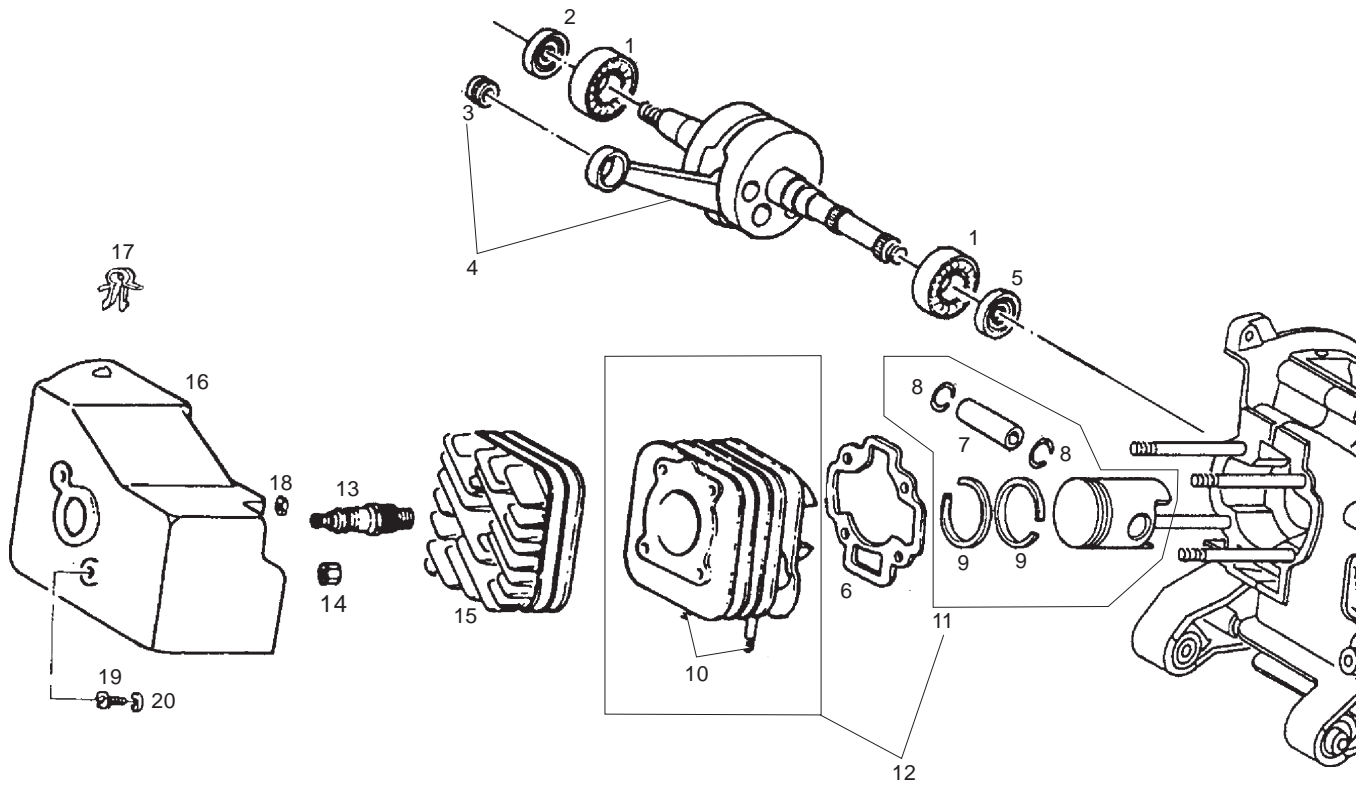
| Fig. | Ver. | COD. KOD. | DESCRIPCIÓN DENOMINAZIONE NAME | BEZEICHNUNG DESIGNATION | MOD. | NOTAS NOTES NOTA MITSCHRIFT NOTES |
|------|------|-----------|----------------------------------------------------|-------------------------------------|------------|-----------------------------------|
| 01A | | 504111P | CTO. MOTOR ATLANTIS E2 MOTORE ENGINE | MOTOR MOTEUR | 123 456 | |
| 02A | | 154873 | JUEGO DE JUNTAS SERIE GUARNIZIONE GASKET SET | DICHTUNGSATZ COLL. DE JOIN | 123 456 | |
| 03A | | 498337 | JUEGO DE RETENES SERIE PARAOLI OIL SEAL SET | DICHTUNGSATZ KITS JOINTS D'HUILE | 123 456 | |



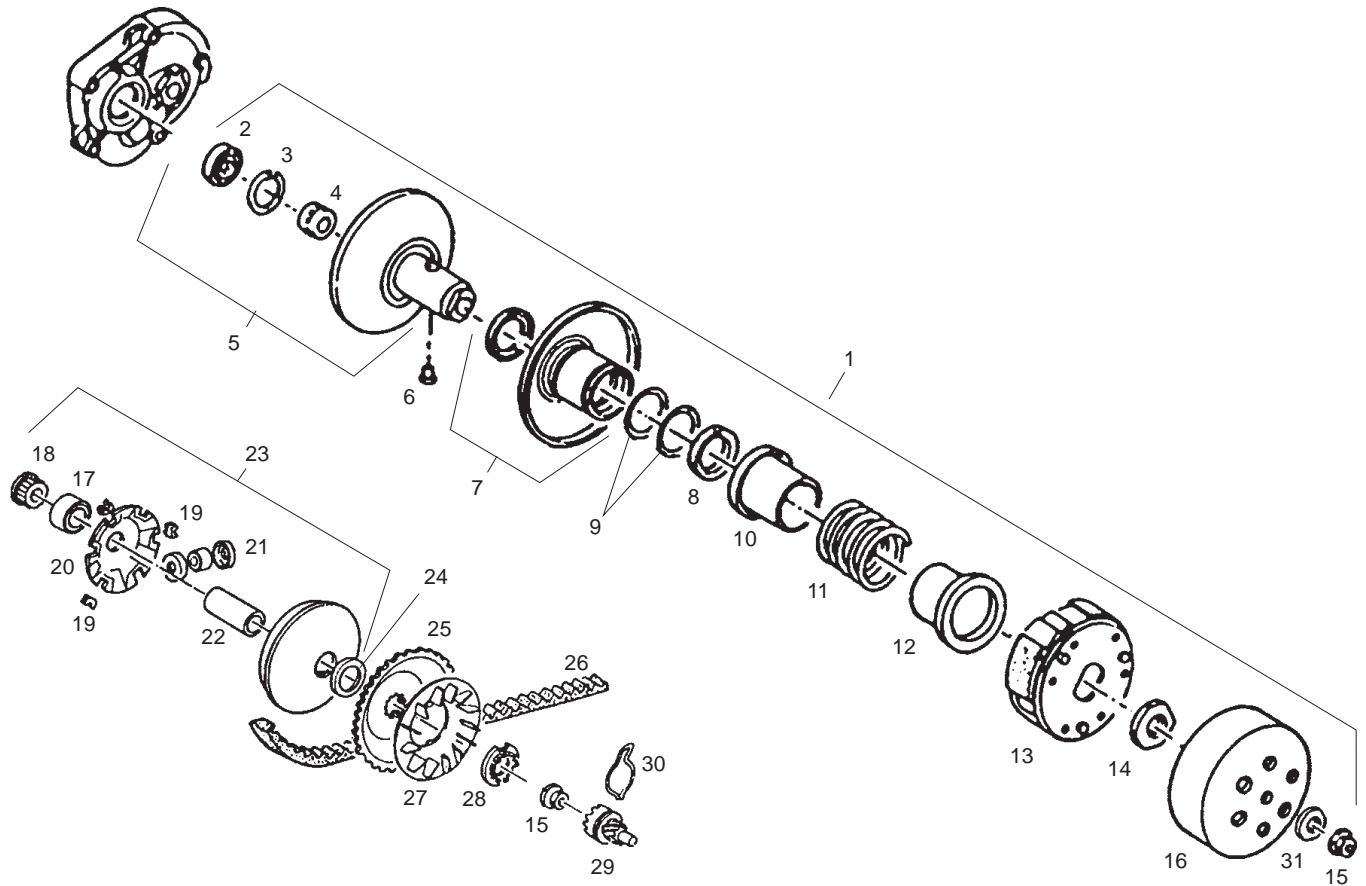
| Fig. | Ver. | COD. KOD. | DESCRIPCIÓN DENOMINAZIONE NAME | BEZEICHNUNG DESIGNATION | MOD. | NOTAS NOTES NOTA MITSCHRIFT NOTES |
|------|------|-----------|-------------------------------------------------|----------------------------|------------|-----------------------------------|
| 01A | | 431125 | COJINETE CUSCINETTO BEARING | LAGER ROULEMENT | 123 456 | |
| 02A | | 482315 | SELLO DE LUB. PARAOLIO OIL SEAL | DICHTRING PARE-HUILE | 123 456 | |
| 03A | | 500501 | JAULA DE ROD. GABBIA A RULLI ROLLER CAGE | ROLLENKÄFIG CAGE A ROUL. | 123 456 | |
| 03B | | 500502 | JAULA DE ROD. GABBIA A RULLI ROLLER CAGE | ROLLENKÄFIG CAGE A ROUL. | 123 456 | |
| 03C | | 500503 | JAULA DE ROD. GABBIA A RULLI ROLLER CAGE | ROLLENKÄFIG CAGE A ROUL. | 123 456 | |
| 03D | | 500504 | JAULA DE ROD. GABBIA A RULLI ROLLER CAGE | ROLLENKÄFIG CAGE A ROUL. | 123 456 | |
| 04A | | 4316255 | CIGÜEÑAL ALBERO MOTORE CRANKSHAFT | KURBELWELLE VILEBREQUIN | 123 456 | |
| 05A | | 482314 | SELLO DE LUB. PARAOLIO OIL SEAL | DICHTRING PARE-HUILE | 123 456 | |
| 06A | | 286810 | JUNTA GUARNIZIONE PACKING | DICHTUNG JOINT | 123 456 | |
| 07A | | 239404 | BULÓN DEL PISTÓN SPINOTTO DEL PISTONE WRIST PIN | KOLBENBOLZEN AXE DE PISTON | 123 456 | |
| 08A | | 239455 | ANILLO ANELLO EL. CIRCLIP | SPRENGRING CIRCLIPS | 123 456 | |



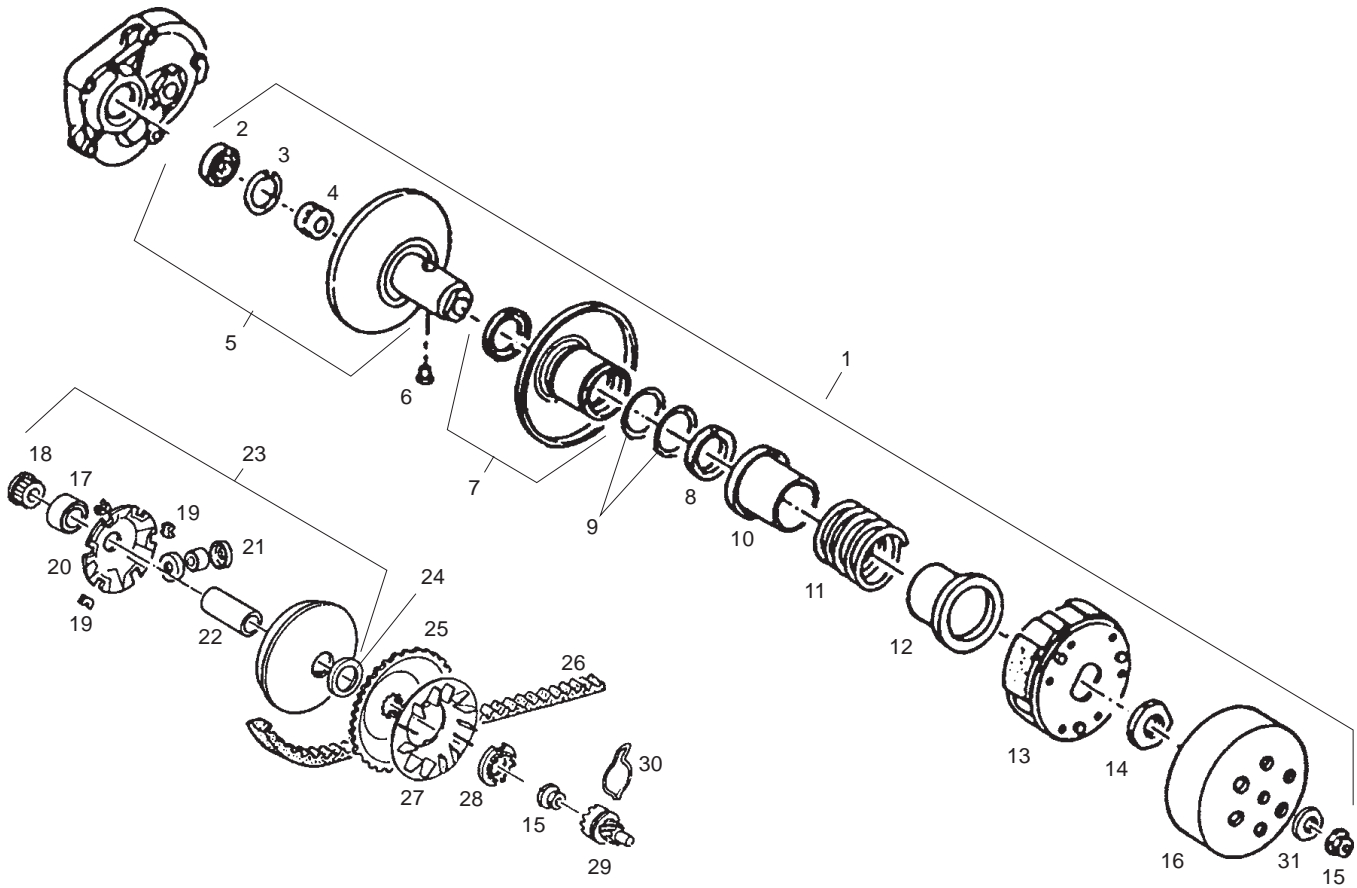
| Fig. | Ver. | COD. KOD. | DESCRIPCIÓN DENOMINAZIONE NAME | BEZEICHNUNG DESIGNATION | MOD. | NOTAS NOTES NOTA MITSCHRIFT NOTES |
|------|------|------------|------------------------------------------------------------|---------------------------------|------------|-----------------------------------|
| 09A | | 825416 | SEGM. DEL EMBOLO SEGMENTO EL. PISTON-RING | KOLBENRING SEGMENT DE PISTON | 123 456 | |
| 10A | | 239397 | ESPÁRAGO PRIGIONIERO STUD | STIFTSCHRAUBE GOUJON | 123 456 | |
| 11A | | 4878020001 | GR. PISTÓN-BULÓN GR.PIST.SPIN. PIST.-WRIST PIN ASSY. | KOLBEN KPL. ENS PIST.-AXE | 123 456 | |
| 11B | | 4878020002 | GR. PISTÓN-BULÓN GR.PIST.SPIN. PIST.-WRIST PIN ASSY. | KOLBEN KPL. ENS PIST.-AXE | 123 456 | |
| 11C | | 4878020003 | GR. PISTÓN-BULÓN GR.PIST.SPIN. PIST.-WRIST PIN ASSY. | KOLBEN KPL. ENS PIST.-AXE | 123 456 | |
| 11D | | 4878020004 | GR. PISTÓN-BULÓN GR.PIST.SPIN. PIST.-WRIST PIN ASSY. | KOLBEN KPL. ENS PIST.-AXE | 123 456 | |
| 11E | | 825182 | GR. PISTÓN-BULÓN GR.PIST.SPIN. PIST.-WRIST PIN ASSY. | KOLBEN KPL. ENS PIST.-AXE | 123 456 | |
| 11F | | 825185 | GR. PISTÓN-BULÓN GR.PIST.SPIN. PIST.-WRIST PIN ASSY. | KOLBEN KPL. ENS PIST.-AXE | 123 456 | |
| 12A | | 831116 | GRUPO CILINDRO GR.CILINDRO CYL.UNIT | ZYLINDER GR.CIL. | 123 456 | |
| 13A | | 438034 | BUJIA CANDELA SPARK.PLUG | ZUNDKERZE BOUGIE | 123 456 | |
| 14A | | 288531 | TUERCA DADO NUT | BUEGEL ECROU | 123 456 | |



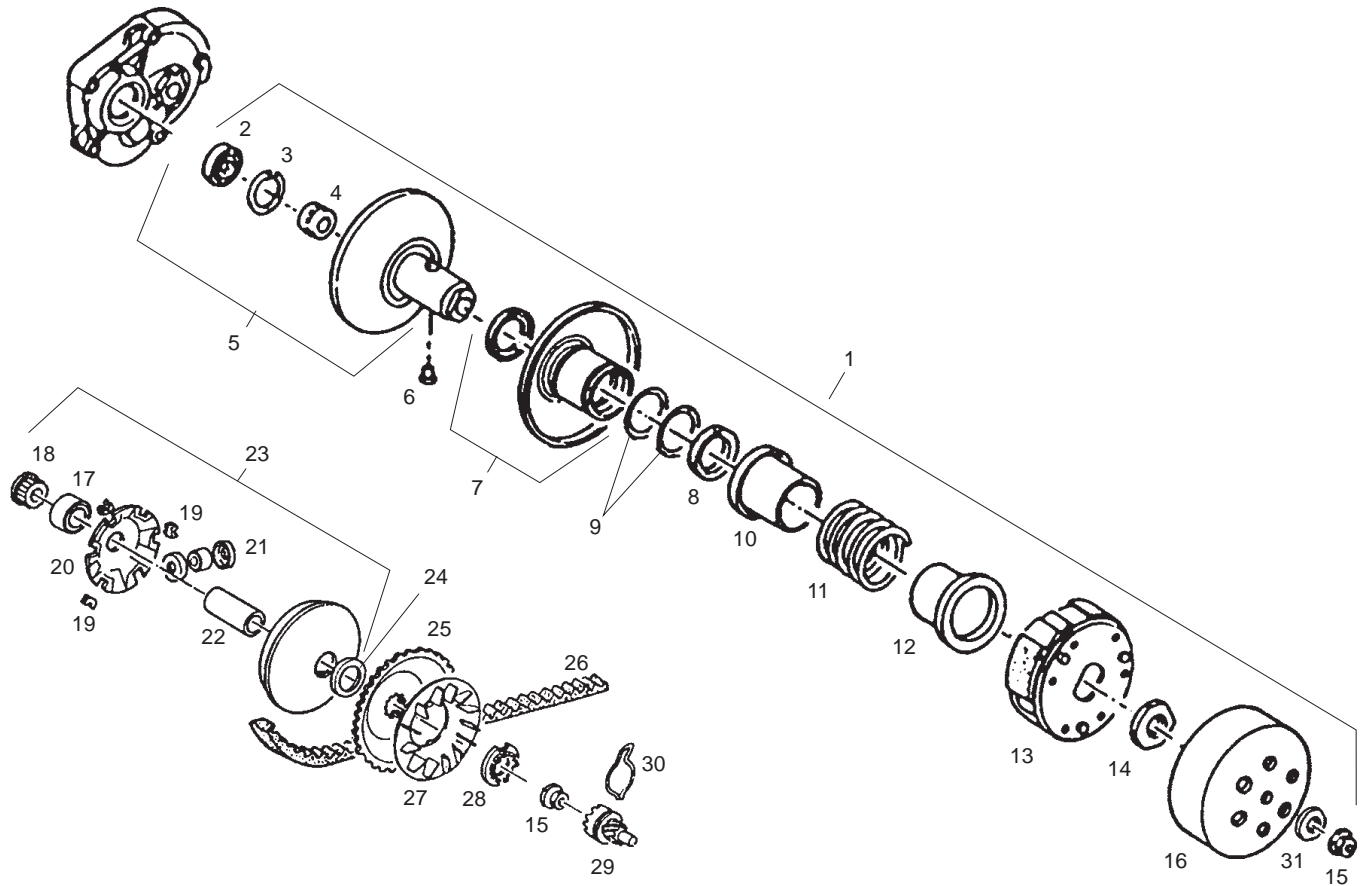
| Fig. | Ver. | COD. KOD. | DESCRIPCIÓN DENOMINAZIONE NAME | BEZEICHUNG DESIGNATION | MOD. | NOTAS NOTES NOTA MITSCHRIFT NOTES |
|------|------|-----------|-------------------------------------------|--------------------------|------------|-----------------------------------|
| 15A | | 2865345 | CULATA TESTA CILINDRO CYLINDER HEAD | ZYLINDER KOPF CULASSE | 123 456 | |
| 16A | | 436719 | DEFLECTOR CUFFIA COOLING HOOD | HAUBE DEFLECTOR | 123 456 | |
| 17A | | 140435 | MUELLE MOLLETTA SPRING | FEDERKLAMMER RESSORT | 123 456 | |
| 18A | | 288245 | TUERCA DADO NUT | MUTTER ECROU | 123 456 | |
| 19A | | 008375 | TORNILLO VITE SCREW | SCHRAUBE VIS | 123 456 | |
| 20A | | 078307 | ARANDELA RONDELLA WASHER | SCHEIBE RONDELLE | 123 456 | |



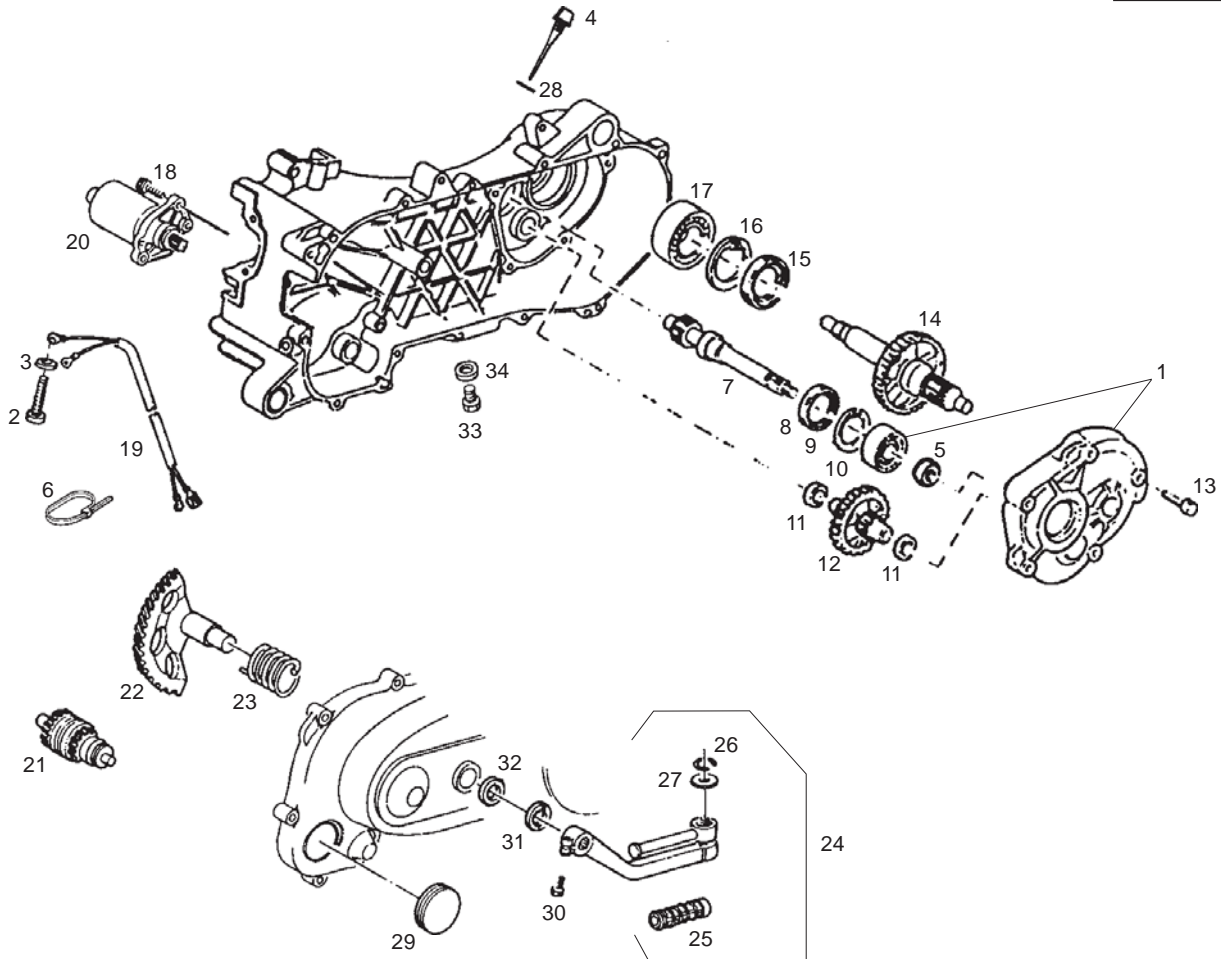
| Fig. | Ver. | COD. KOD. | DESCRIPCIÓN DENOMINAZIONE NAME | BEZEICHNUNG DESIGNATION | MOD. | NOTAS NOTES NOTA MITSCHRIFT NOTES |
|------|------|-----------|---------------------------------------------|-----------------------------------|------------|-----------------------------------|
| 01A | | CM100109 | POLEA PULEGGIA PULLEY | RIEMENSCHLEIBE POULIE | 123 456 | |
| 02A | | 82655R | COJINETE CUSCINETTO BEARING | LAGER ROULEMENT | 123 456 | |
| 03A | | 006624 | ANILLO ANELLO RING | RING CIRCLIPS | 123 456 | |
| 04A | | 289952 | JAULA RODILLOS ASTUCCIO A RULLI ROLLER CAGE | ROLLENLAGERKAFIG CAGE À ROUL. | 123 456 | |
| 05A | | 4795526 | SEMIPOLEA SEMIPULEGGIA PULLEY, HALF | RIEMENSCHLEIBENHÄLFTE DEMI POULIE | 123 456 | |
| 06A | | 482766 | PERNO PERNO PIN | ZAPFEN PIVOT | 123 456 | |
| 07A | | 827893 | SEMIPOLEA SEMIPULEGGIA PULLEY, HALF | RIEMENSCHLEIBENHÄLFTE DEMI POULIE | 123 456 | |
| 08A | | 289950 | ANILLO ANELLO RING | RING CIRCLIPS | 123 456 | |
| 09A | | 289840 | JUNTA GUARNIZIONE PACKING | DICHTUNG JOINT | 123 456 | |
| 10A | | 483443 | PLATILLO SCODELLINO STOP WASHER | FEDERAUFNAHME RONDELLE D'AR | 123 456 | |
| 11A | | 478028 | MUELLE MOLLA SPRING | FEDER RESSORT | 123 456 | |



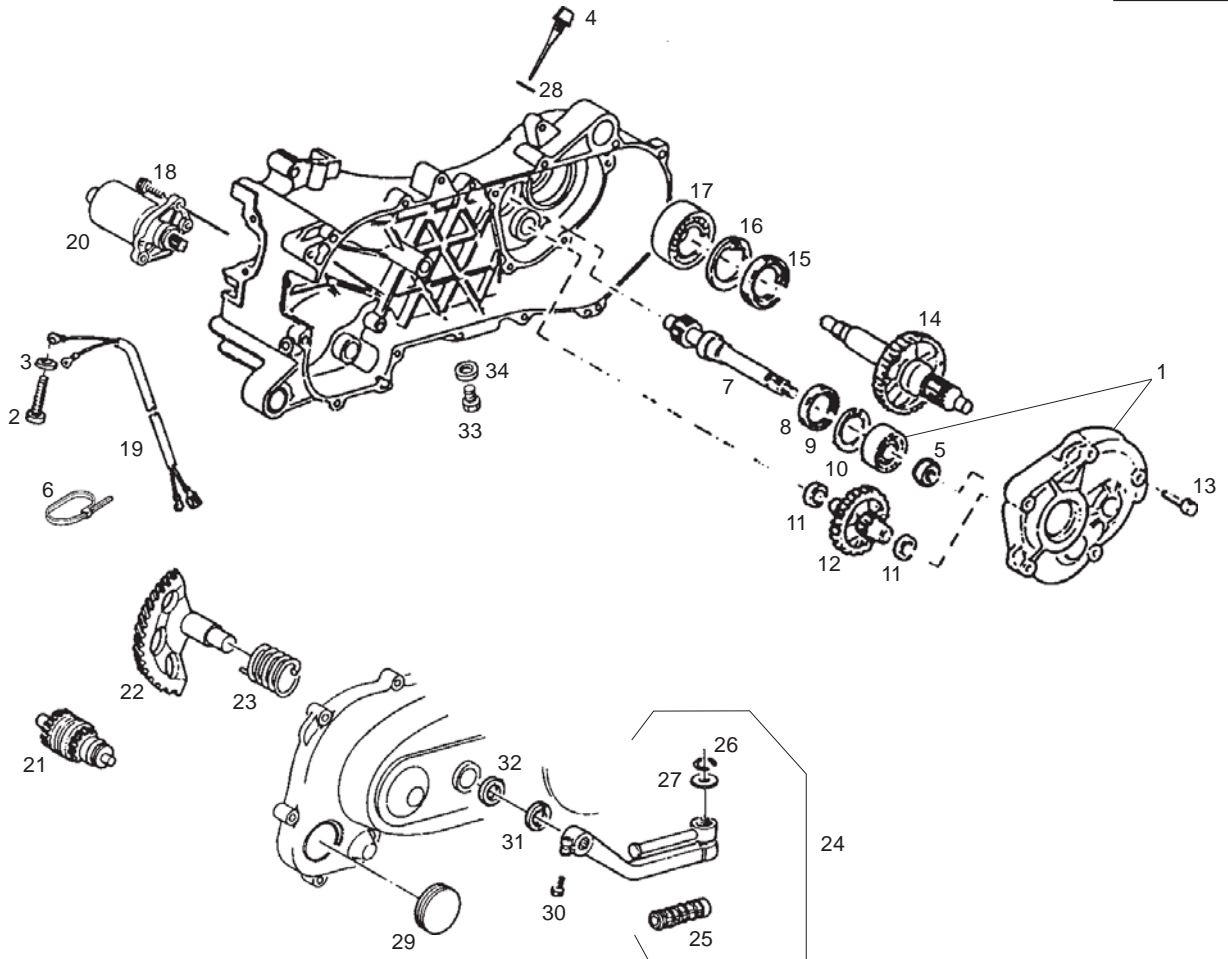
| Fig. | Ver. | COD. KOD. | DESCRIPCIÓN DENOMINAZIONE NAME | BEZEICHUNG DESIGNATION | MOD. | NOTAS NOTES NOTA MITSCHRIFT NOTES |
|------|------|-----------|-----------------------------------------------|----------------------------------|------------|-----------------------------------|
| 12A | | 487935 | PLATILLO SCODELLINO STOP WASHER | FEDERAUFNAHME RONDELLE D'AR | 123 456 | |
| 13A | | CM1002045 | GR. EMBRAGUE GR.FRIZIONE CLUTCH ASSY | KUPPLUNGBACKEN GR.EMBRAYAGE | 123 456 | |
| 14A | | 289955 | CASQUILLO GHIERA RING NUT | GEWINDERING DOUILLE | 123 456 | |
| 15A | | 289519 | TUERCA DADO NUT | MUTTER ECROU | 123 456 | |
| 16A | | 289933 | TAMBOR DE EMBR. TAMBURIO FRIZIONE CLUTCH DRUM | KUPPLUNGSTROMMEL TAMBOUR D'EMBR. | 123 456 | |
| 17A | | 479495 | DISTANCIADOR DISTANZIALE SPACER | DISTANZSTÜCK ENTRETOISE | 123 456 | |
| 18A | | 286158 | ENGRANAJE INGRANAGGIO GEAR | ZAHNRAD ENGRENAGE | 123 456 | |
| 19A | | 289931 | PATÍN PATTINO SHOE | GLEITAUFLAGE DOIGT | 123 456 | |
| 20A | | 480227 | CONTENEDOR CONTENITORE HOUSING | BEHÄLTER LOGEMENT | 123 456 | |
| 21A | | CM1102025 | KIT 6 RODILLOS KIT 6 RULLO 6 ROLLER KIT | 6 ROLLENKERN KIT KIT 6 ROULEAU | 123 456 | |
| 22A | | 480230 | CASQUILLO BOCCOLO BUSH | BUCHSE JOINT | 123 456 | |



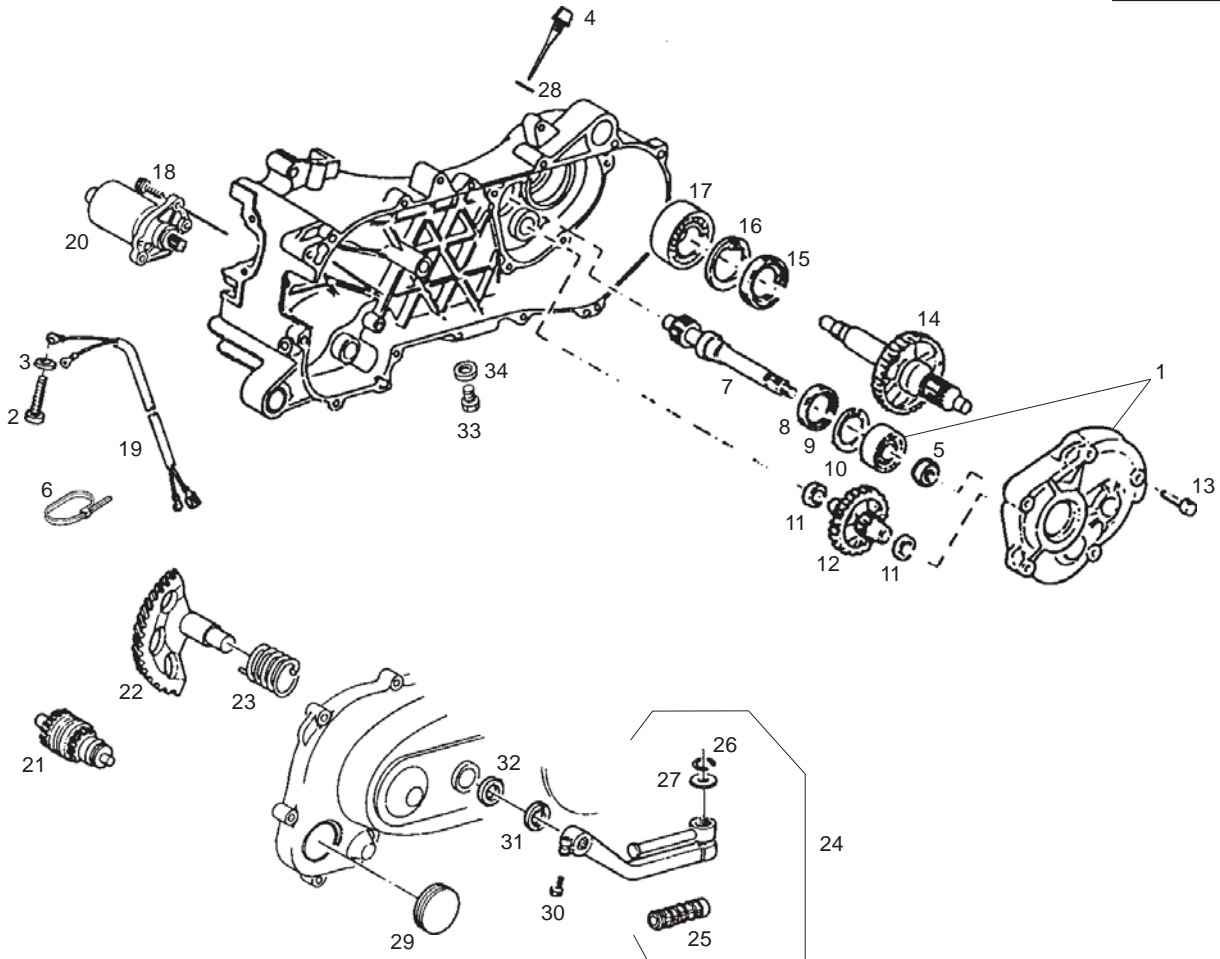
| Fig. | Ver. | COD. KOD. | DESCRIPCIÓN DENOMINAZIONE NAME | BEZEICHNUNG DESIGNATION | MOD. | NOTAS NOTES NOTA MITSCHRIFT NOTES |
|------|------|-----------|----------------------------------------|-----------------------------------|------------|-----------------------------------|
| 23A | | CM110301 | SEMIPOLEA SEMIPULEGGIA PULLEY, HALF | RIEMENSCHLEIBENHÄLFTE DEMI POULIE | 123 456 | |
| 24A | | CM100610 | DISTANCIADOR DISTANZIALE SPACER | DISTANZSTÜCK ENTRETOISE | 123 456 | |
| 25A | | 479561 | SEMIPOLEA SEMIPULEGGIA PULLEY, HALF | RIEMENSCHLEIBENHÄLFTE DEMI POULIE | 123 456 | |
| 26A | | 436864 | CORREA CINGHIA BELT | KEILRIEMEN COURROIE | 123 456 | |
| 27A | | 480410 | DISCO POLEA DISCO PULEGGIA PULLEY DISK | SCHEIBE DISQUE POULIE | 123 456 | |
| 28A | | 479866 | CASQUILLO BOCCOLO BUSH | BUCHSE JOINT | 123 456 | |
| 29A | | 483537 | PIÑÓN PIGNONE PINION | RITZEL PIGNON | 123 456 | |
| 30A | | 830212 | MUELLE MOLLETTA SPRING | FEDERKLAMMER RESSORT | 123 456 | |
| 31A | | 265300 | ARANDELA RONDELLA WASHER | SCHEIBE RONDELLE | 123 456 | |



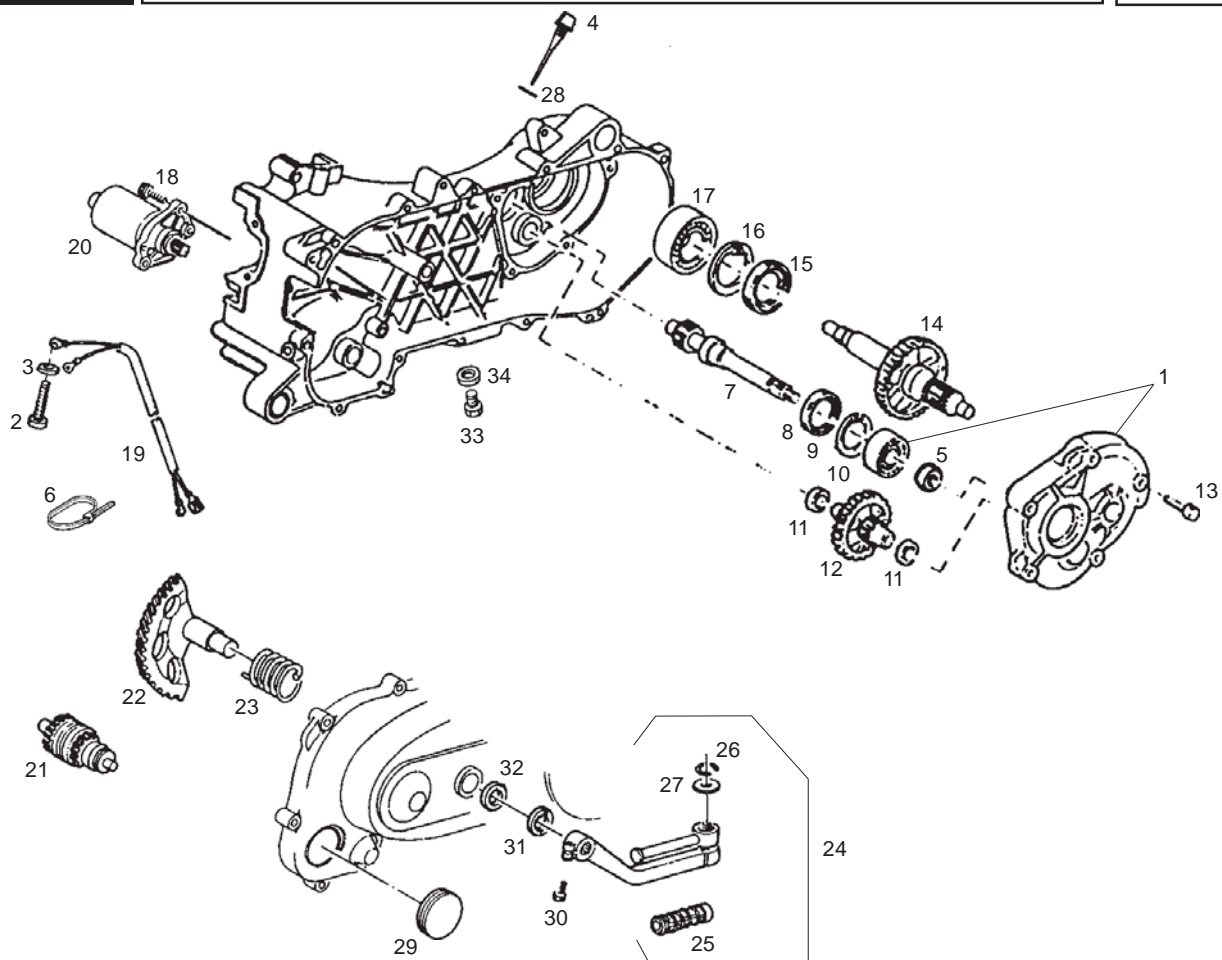
| Fig. | Ver. | COD. KOD. | DESCRIPCIÓN DENOMINAZIONE NAME | BEZEICHNUNG DESIGNATION | MOD. | NOTAS NOTES NOTA MITSCHRIFT NOTES |
|------|------|-------------|-----------------------------------------------------|-------------------------------------------|------------|-----------------------------------|
| 01A | | 4874805 | TAPA CUBO RUEDA COPERCHIO MOZZO WHEEL HUB CAP | RADNABENABDECKUNG COUVERCLE MOYEU ROUE | 123 456 | |
| 02A | | 018644 | TORNILLO VITE SCREW | SCHRAUBE VIS | 123 456 | |
| 03A | | 016404 | ARANDELA RONDELLA WASHER | SCHEIBE RONDELLE | 123 456 | |
| 04A | | 832130 | VARILLA ASTA OLIO OIL DIPSTICK | ÖLMEßSTAB JAUGE NIVEAU D'HUILE | 123 456 | |
| 05A | | 478197 | ANILLO ANELLO CIRCLIP | SPRENGRING CIRCLIPS | 123 456 | |
| 06A | | 00D00900531 | BRIDA FLANGIA FISSAGGIO SECURING CLAMP | BEF.-SHELLE COLLIER | 123 456 | |
| 07A | | 4795715 | EJE POLEA ALBERO PULEGGIA PULLEY SHAFT | SCHEIBENWELLE ARBRE DE POULIE | 123 456 | |
| 08A | | 480066 | ANILLO ANELLO RING | RING CIRCLIPS | 123 456 | |
| 09A | | 480953 | ANILLO ANELLO RING | RING CIRCLIPS | 123 456 | |
| 10A | | 942135 | COJINETE CUSCINETTO BEARING | LAGER ROULEMENT | 123 456 | |



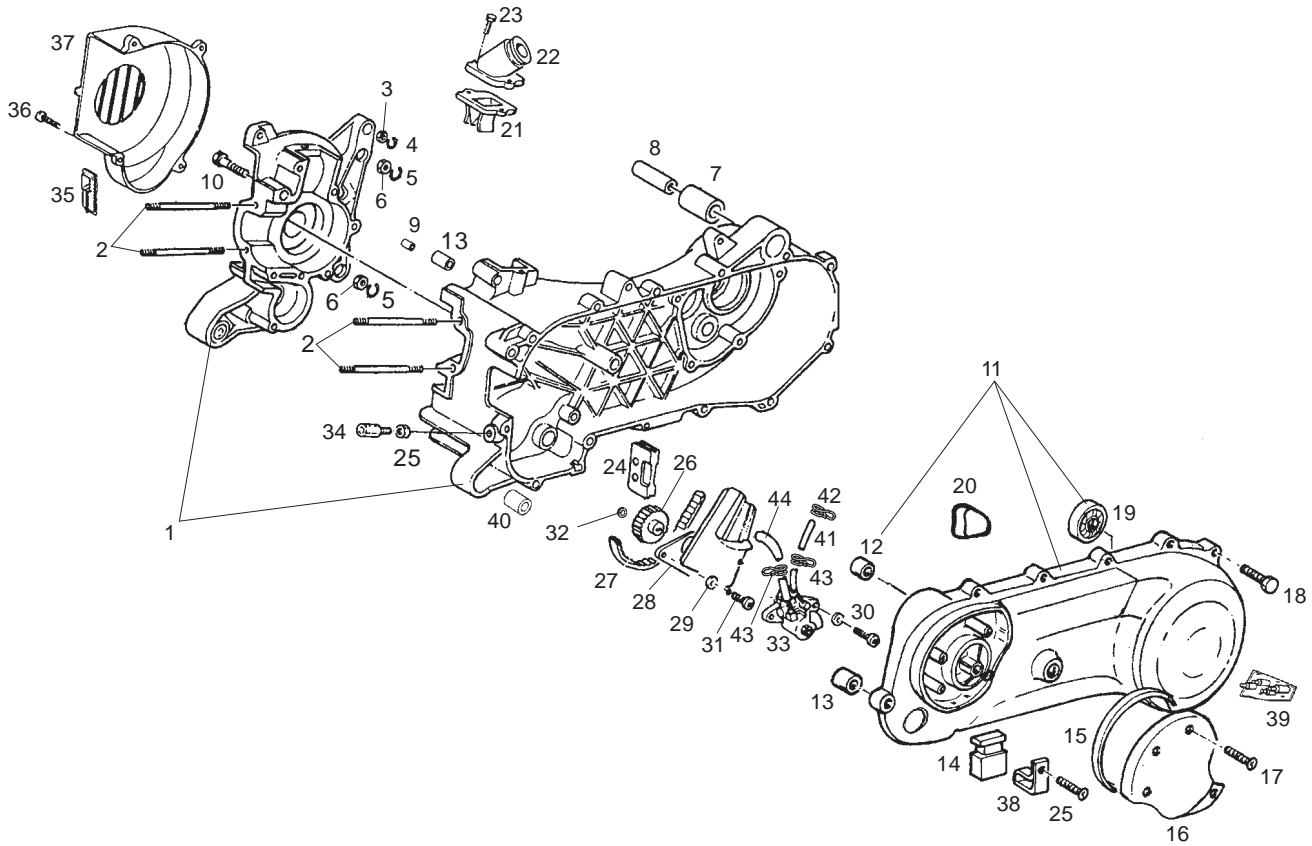
| Fig. | Ver. | COD. KOD. | DESCRIPCIÓN DENOMINAZIONE NAME | BEZEICHNUNG DESIGNATION | MOD. | NOTAS NOTES NOTA MITSCHRIFT NOTES |
|------|------|-----------|-------------------------------------------------------|----------------------------------|------------|-----------------------------------|
| 11A | | 288639 | ARANDELA RONDELLA WASHER | SCHEIBE RONDELLE | 123 456 | |
| 12A | | 4784925 | EJE DE REENVIO ALBERO RINVIO COUNTERSHAFT | VORGELEGEZAHNRAD ARBRE DE RENVOI | 123 456 | |
| 13A | | 414834 | TORNILLO VITE SCREW | SCHRAUBE VIS | 123 456 | |
| 14A | | 4874845 | EJE RUEDA ASSE RUOTA WHEEL AXLE | RADACHSE AXE ROUE | 123 456 | |
| 15A | | 478498 | RETEN DE AC. ANELLO TEN. OIL SEAL | DICHTRING JOINT SPIE | 123 456 | |
| 16A | | 006647 | ANILLO ANELLO RING | RING CIRCLIPS | 123 456 | |
| 17A | | 434735 | COJINETE CUSCINETTO BEARING | LAGER ROULEMENT | 123 456 | |
| 18A | | 031091 | TORNILLO VITE SCREW | SCHRAUBE VIS | 123 456 | |
| 19A | | 583461 | GRUPO CABLES MOTOR ARRANQUE GR. CAVETTI CABLE HARNESS | KABELBAUM FAISC. DE CÂBLES | 123 456 | |
| 20A | | 82530R | MOTOR DE ARR. MOTORINO AVV. STARTER MOTOR | STARTERMOTOR MOT DU DÉMAR. | 123 456 | |



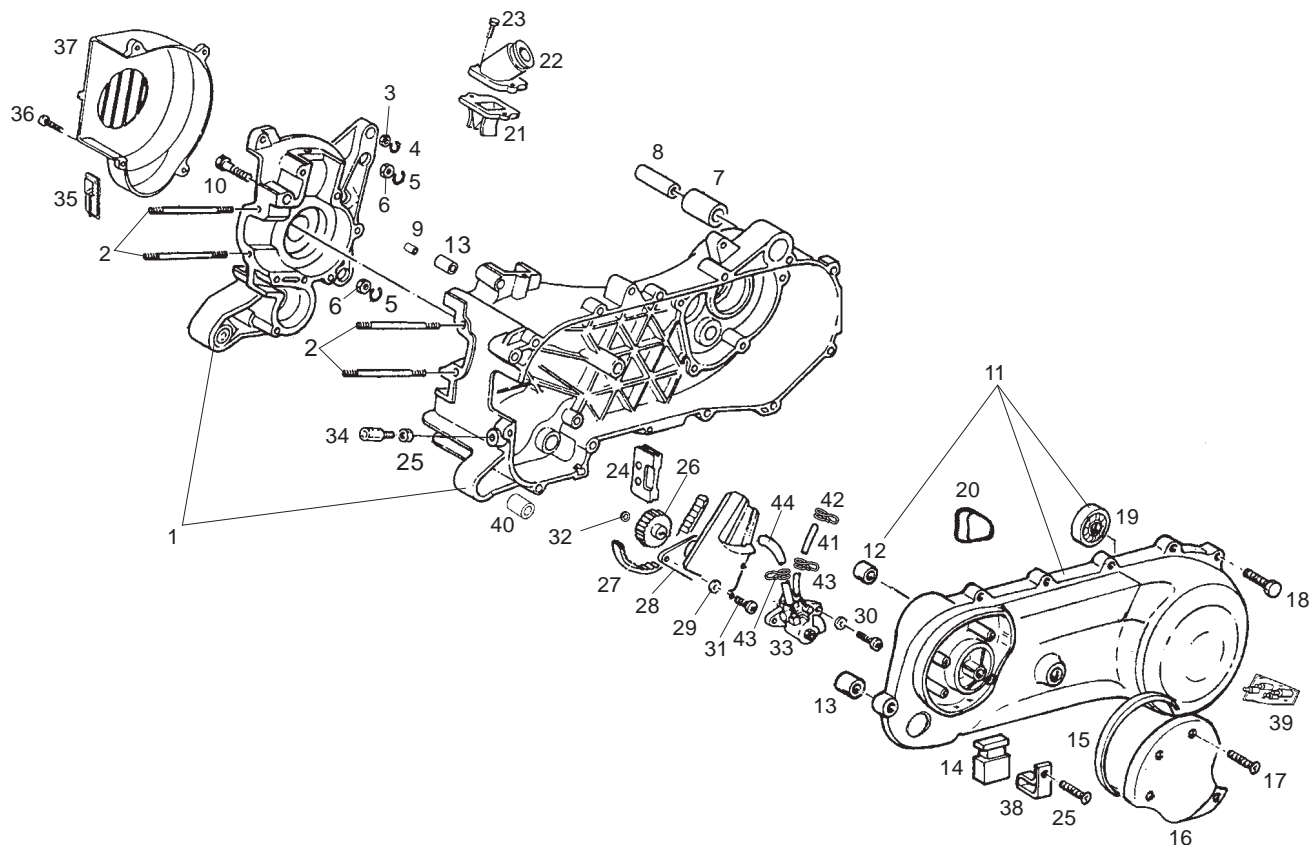
| Fig. | Ver. | COD. KOD. | DESCRIPCIÓN DENOMINAZIONE NAME | BEZEICHNUNG DESIGNATION | MOD. | NOTAS NOTES NOTA MITSCHRIFT NOTES |
|------|------|-----------|----------------------------------------------------|-----------------------------------------|------------|-----------------------------------|
| 21A | | 82531R | GRUPO REENVÍO GRUPPO RINVIO PINION, ASSY | RITZEL ENSAMBLE RENVOI | 123 456 | |
| 22A | | 831458 | EJE ARRANQUE ASSE M.M. START.SHAFT | KICKERSEGMENT ARBRE DÉMARR. | 123 456 | |
| 23A | | 289495 | MUELLE MOLLA SPRING | FEDER RESSORT | 123 456 | |
| 24A | | 286214 | PALANCA DE ARRANQUE LEVA M.MOTO START. LEVER | KICKSTARTERHEBEL LEVIER DU DÉMARRAGE | 123 456 | |
| 25A | | 286217 | PROTECCIÓN PROTEZIONE PROTECTION | SCHUTZSTÜCK PROTECTION | 123 456 | |
| 26A | | 288041 | ANILLO ANELLO RING | RING CIRCLIPS | 123 456 | |
| 27A | | 286219 | ARANDELA RONDELLA WASHER | SCHEIBE RONDELLE | 123 456 | |
| 28A | | 827085 | JUNTA GUARNIZIONE PACKING | DICHTUNG JOINT | 123 456 | |
| 29A | | 483859 | TAPÓN TAPPO PLUG | VERSCHLUß BOUCHON | 123 456 | |
| 30A | | 414837 | TORNILLO VITE SCREW | SCHRAUBE VIS | 123 456 | |



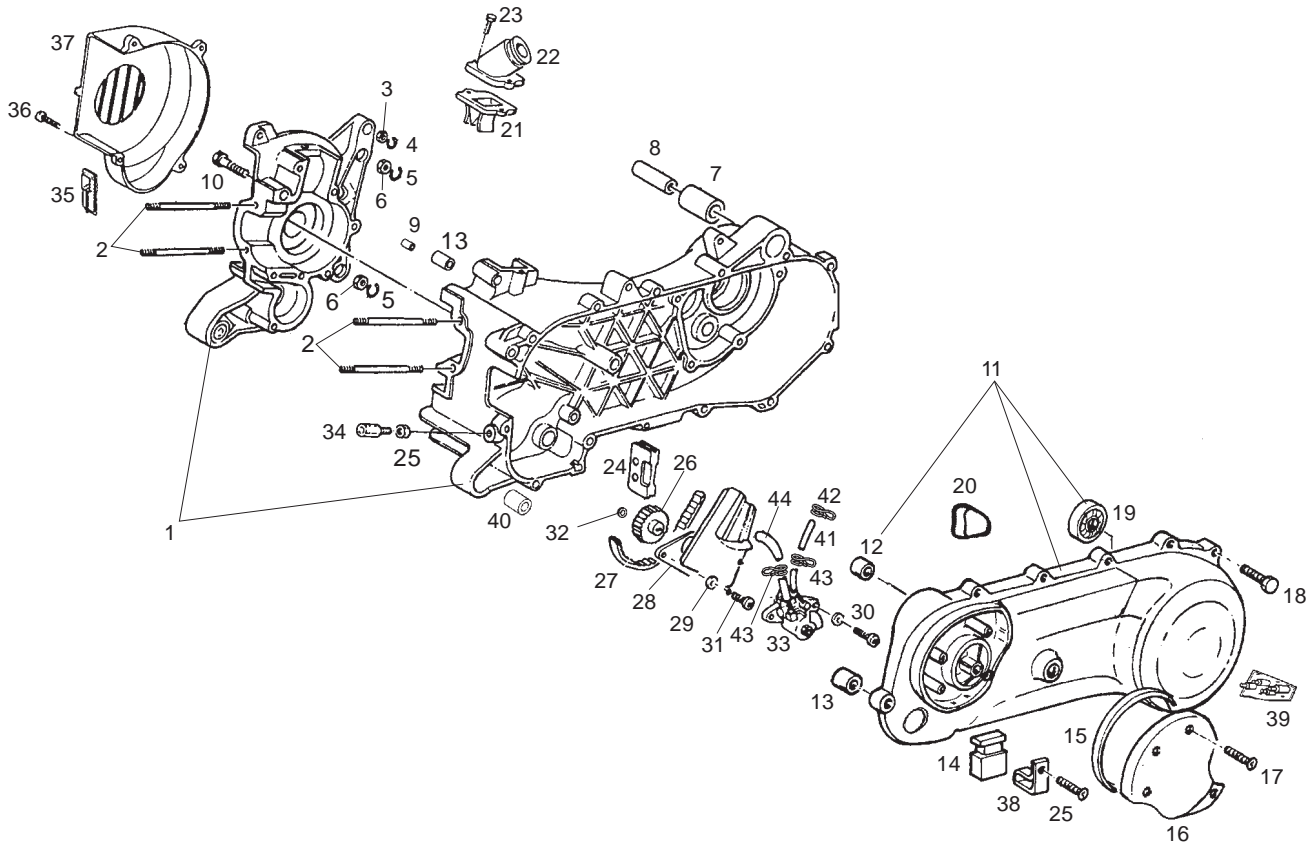
| Fig. | Ver. | COD. KOD. | DESCRIPCIÓN DENOMINAZIONE NAME | BEZEICHUNG DESIGNATION | MOD. | NOTAS NOTES NOTA MITSCHRIFT NOTES |
|------|------|-----------|----------------------------------|---------------------------------|------------|-----------------------------------|
| 31A | | 006416 | ANILLO ANELLO EL. CIRCLIP | SPRENGRING CIRCLIPS | 123 456 | |
| 32A | | 433987 | ARANDELA RONDELLA WASHER | SCHEIBE RONDELLE | 123 456 | |
| 33A | | 269755 | TAPÓN ACEITE TAPPO OLIO OIL PLUG | ÖLEINFÜLLSCHRAUBE BOUCHON HUILE | 123 456 | |
| 34A | | 000397 | JUNTA GUARNIZIONE PACKING | DICHTUNG JOINT | 123 456 | |



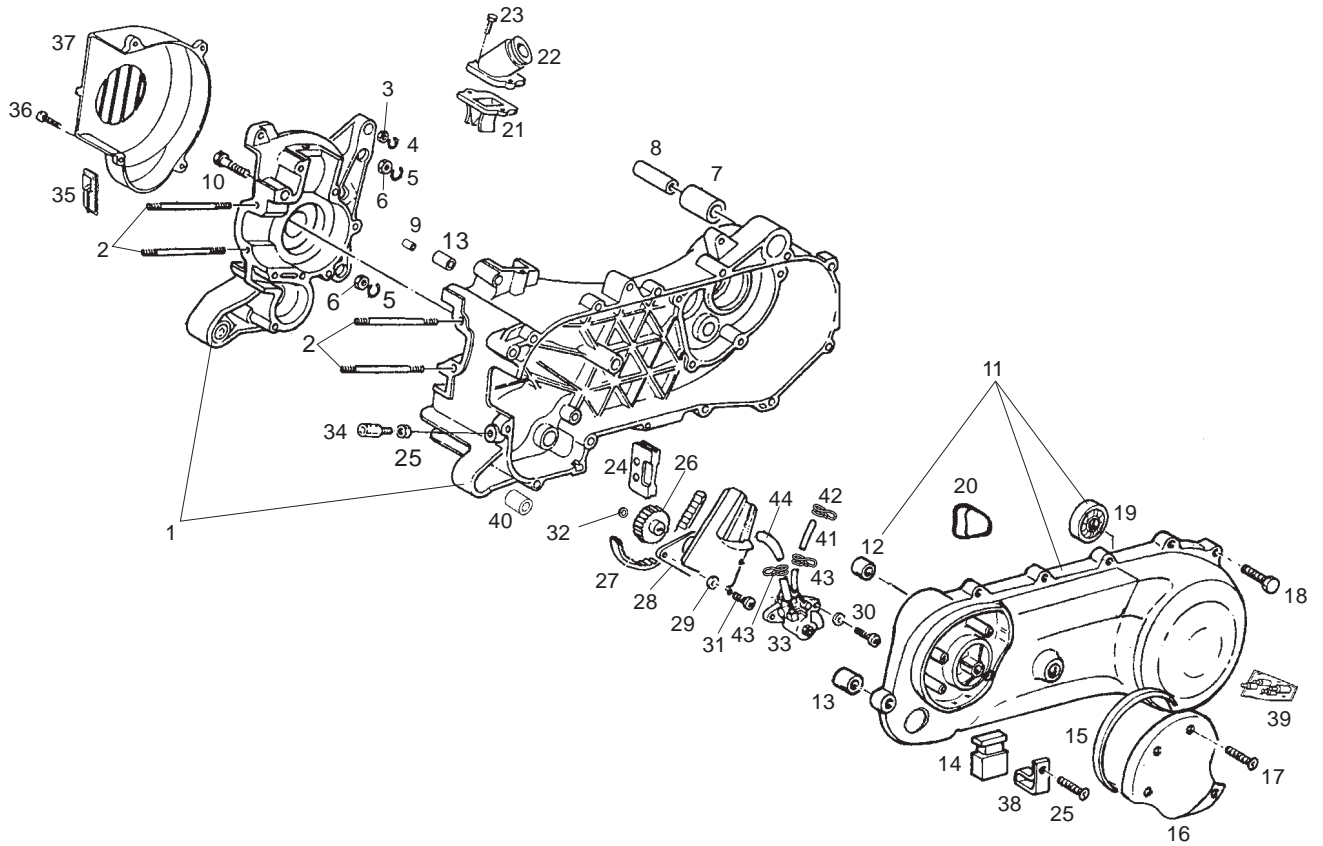
| Fig. | Ver. | COD. KOD. | DESCRIPCIÓN DENOMINAZIONE NAME | BEZEICHUNG DESIGNATION | MOD. | NOTAS NOTES NOTA MITSCHRIFT NOTES |
|------|------|-----------|--------------------------------------------------------------|---------------------------------------------|------------|-----------------------------------|
| 01A | | CM1273045 | CÁRTER CARTER CRANKCASE | KURBELWELLEGEHÄUSE CARTER | 123 456 | |
| 02A | | 239382 | ESPÁRAGO PRIGIONIERO STUD | STIFTSCHRAUBE GOUJON | 123 456 | |
| 03A | | 020006 | TUERCA DADO NUT | MUTTER ECROU | 123 456 | |
| 04A | | 287223 | RETEN DE AC. ANELLO RIT. OIL SEAL | SPRENGRING BAGUE D'ÉT. | 123 456 | |
| 05A | | 113533 | RETEN DE AC. ANELLO RIT. OIL SEAL | SPRENGRING BAGUE D'ÉT. | 123 456 | |
| 06A | | 020008 | TUERCA DADO NUT | MUTTER ECROU | 123 456 | |
| 07A | | 267823 | SILENT-BLOCK SILENTBLOC SIL.BLOCK | PUFFER SILENTBLOC | 123 456 | |
| 08A | | 266625 | DISTANCIADOR DISTANZIALE SPACER | DISTANZSTÜCK ENTRETOISE | 123 456 | |
| 09A | | 239388 | PASADOR SPINA PIN | STIFT GOUPILLE | 123 456 | |
| 10A | | 414835 | TORNILLO VITE SCREW | SCHRAUBE VIS | 123 456 | |
| 11A | | 8284535 | TAPA TRANSMISIONES COPERCHIO TRASM. TRANSMISSION COVER | GETRIEBEABDECKUNG COUVERCLE TRANSMISSION | 123 456 | |



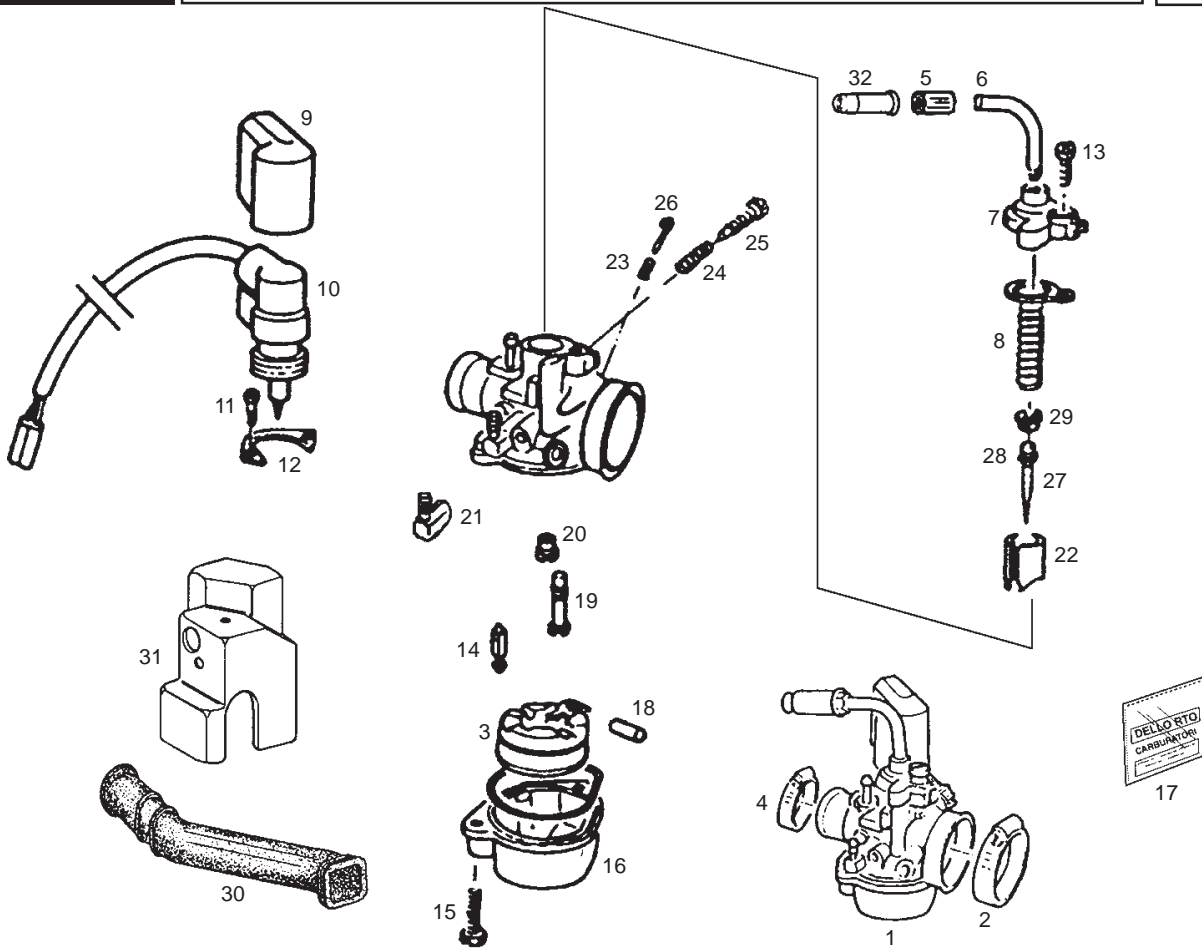
| Fig. | Ver. | COD. KOD. | DESCRIPCIÓN DENOMINAZIONE NAME | BEZEICHUNG DESIGNATION | MOD. | NOTAS NOTES NOTA MITSCHRIFT NOTES |
|------|------|-----------|------------------------------------------------|---------------------------------|------------|-----------------------------------|
| 12A | | 286209 | PASADOR SPINA PIN | STIFT GOUPILLE | 123 456 | |
| 13A | | 431860 | BUJE BUSSOLA BUSH | BUCHSE JOINT | 123 456 | |
| 14A | | 463872 | SILENT-BLOCK TAMPONE BUFFER | PUFFER SILENTBLOC | 123 456 | |
| 15A | | 482432 | JUNTA GUARNIZIONE PACKING | DICHTUNG JOINT | 123 456 | |
| 16A | | 830821 | TAPA COPERCHIO COVER | DECKEL COUVERCLE | 123 456 | |
| 17A | | 435295 | TORNILLO VITE SCREW | SCHRAUBE VIS | 123 456 | |
| 18A | | 414838 | TORNILLO VITE SCREW | SCHRAUBE VIS | 123 456 | |
| 19A | | 82521R | COJINETE CUSCINETTO BEARING | LAGER ROULEMENT | 123 456 | |
| 20A | | 286207 | SILENTBLOCK TAMPONE BUFFER | PUFFER SILENTBLOC | 123 456 | |
| 21A | | 82727R | SOPORTE LAMINAS SUPPORTO LAMELLE REEDS BRACKET | EINLASSMEMBRAN SUPPORT LAMELLES | 123 456 | |
| 22A | | 830939 | RACORD ADMISIÓN RACCORDO AMM. UNION PIPE | ANSAUGSTUTZEN RACC. D'ADMISS. | 123 456 | |



| Fig. | Ver. | COD. KOD. | DESCRIPCIÓN DENOMINAZIONE NAME | BEZEICHNUNG DESIGNATION | MOD. | NOTAS NOTES NOTA MITSCHRIFT NOTES |
|------|------|-----------|----------------------------------|----------------------------|------------|-----------------------------------|
| 23A | | 828152 | TORNILLO VITE SCREW | SCHRAUBE VIS | 123 456 | |
| 24A | | 287021 | PASACABLES PASSACAVO GROMMET | KABELDURCHGANG PASSE-CÂBLE | 123 456 | |
| 25A | | 020106 | TUERCA DADO NUT | MUTTER ECROU | 123 456 | |
| 26A | | 289191 | ENGRANAJE INGRANAGGIO GEAR | ZAHNRAD ENGRENAGE | 123 456 | |
| 27A | | 286162 | CORREA CINGHIA BELT | KEILRIEMEN COURROIE | 123 456 | |
| 28A | | 286163 | CHAPA PIASTRA PLATE | PLATTE PLAQUE | 123 456 | |
| 29A | | 006975 | ARANDELA RONDELLA WASHER | SCHEIBE RONDELLE | 123 456 | |
| 30A | | 015856 | TORNILLO VITE SCREW | SCHRAUBE VIS | 123 456 | |
| 31A | | 015585 | TORNILLO VITE SCREW | SCHRAUBE VIS | 123 456 | |
| 32A | | 287073 | ARANDELA RONDELLA WASHER | SCHEIBE RONDELLE | 123 456 | |
| 33A | | 82605R | BOMBA ACEITE POMPA OLIO OIL PUMP | ÖLPUMPE POMPE HUILE | 123 456 | |



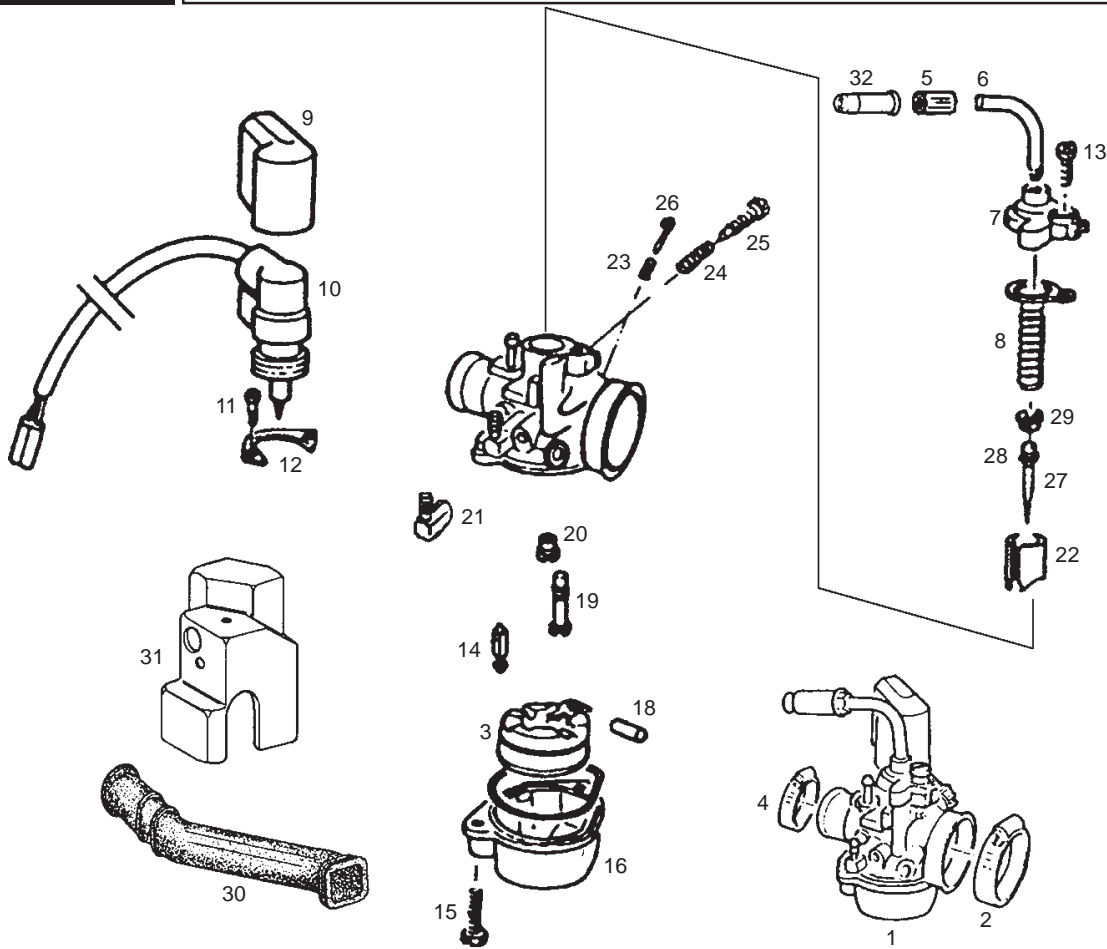
| Fig. | Ver. | COD. KOD. | DESCRIPCIÓN DENOMINAZIONE NAME | BEZEICHNUNG DESIGNATION | MOD. | NOTAS NOTES NOTA MITSCHRIFT NOTES |
|------|------|-----------|------------------------------------|----------------------------|------------|-----------------------------------|
| 34A | | 146197 | TORNILLO VITE SCREW | SCHRAUBE VIS | 123 456 | |
| 35A | | 827425 | PASACABLES PASSACAPO GROMMET | KABELDURCHGANG PASSE-CÂBLE | 123 456 | |
| 36A | | 015856 | TORNILLO VITE SCREW | SCHRAUBE VIS | 123 456 | |
| 37A | | 833817 | TAPA COPERCHIO COVER | DECKEL COUVERCLE | 123 456 | |
| 38A | | 564497 | ABRAZADERA FASCETTA CLAMP | SHELLE COLLIER | 123 456 | |
| 39A | | 833700 | TAPON RUIDO MOTOR PGG.E2 TAPPO CAP | KAPPE BOUCHON | 123 456 | |
| 40A | | 266773 | SILENTBLOCK TAMPONE BUFFER | PUFFER SILENTBLOC | 123 456 | |
| 41A | | CM101605 | TUBO SALIDA ACEITE TUBO TUBE | SCHLAUCH TUYAU | 123 456 | |
| 42A | | 496149 | ABRAZADERA FASCETTA CLAMP | SHELLE COLLIER | 123 456 | |
| 43A | | 231590 | ABRAZADERA FASCETTA CLAMP | SHELLE COLLIER | 123 456 | |
| 44A | | CM101509 | TUBO ENTRADA ACEITE TUBO TUBE | SCHLAUCH TUYAU | 123 456 | |



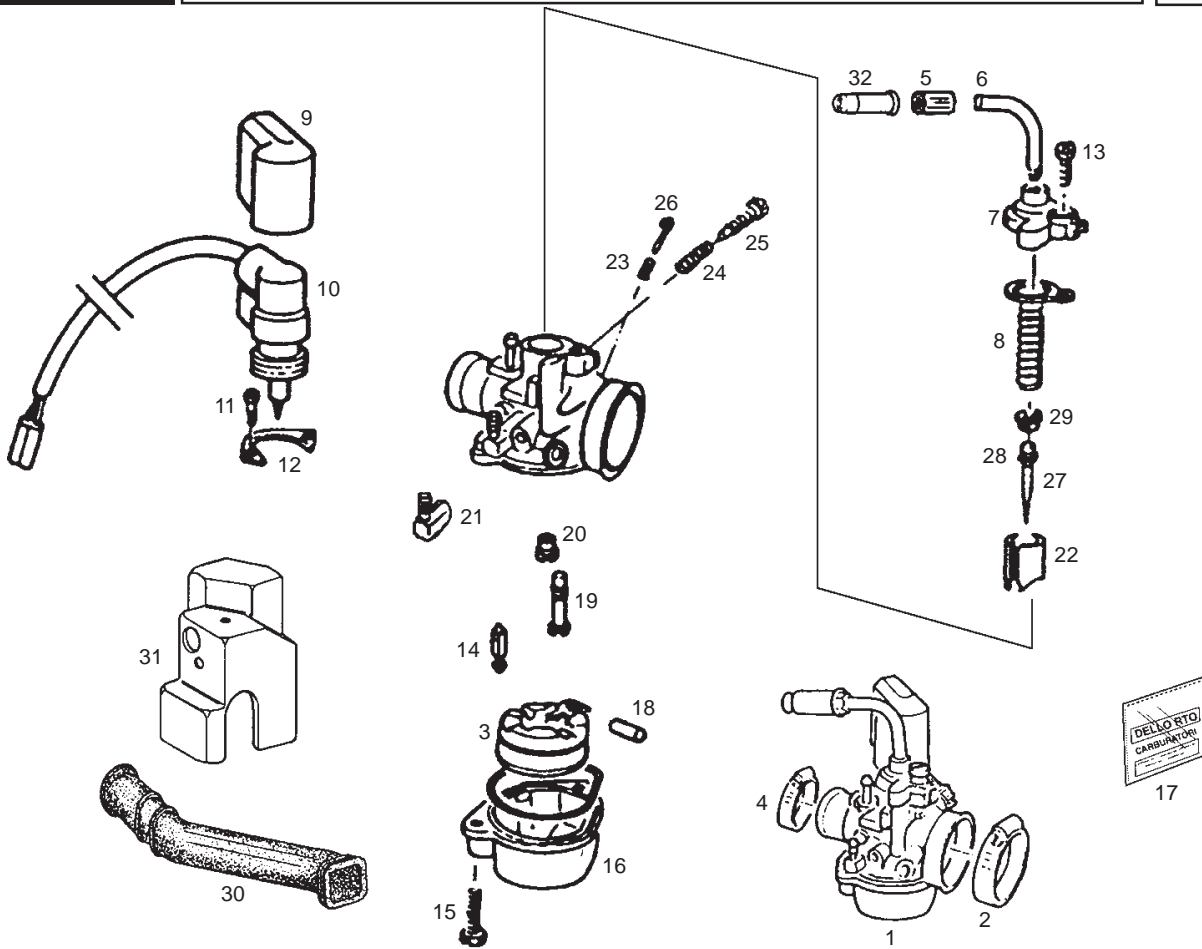
DELL'ORTO

| Fig. | Ver. | COD. KOD. | DESCRIPCIÓN DENOMINAZIONE NAME | BEZEICHNUNG DESIGNATION | MOD. | NOTAS NOTES NOTA MITSCHRIFT NOTES |
|------|------|-------------|------------------------------------------------------------------|-------------------------------------------------|------------|-----------------------------------|
| 01A | | 833656 | CARBURADOR 17,5 CARBURATORE CARBURETTOR | VERGASER CARBURATEUR | 123 456 | |
| 02A | | 00F00900531 | ABRAZADERA FASCETTA CLAMP | SHELLE COLLIER | 123 456 | |
| 03A | | 482916 | FLOTADOR GALLEGGIANTE FLOAT | SCHWIMMER FLOTTEUR | 123 456 | |
| 04A | | 825865 | BRIDA FASCETTA CLAMP | SHELLE COLLIER | 123 456 | |
| 05A | | 288868 | TORNILLO REGULACION CABLE GAS VITE SCREW | SCHRAUBE VIS | 123 456 | |
| 06A | | 113903 | TUBO TUBO TUBE | SCHLAUCH TUYAU | 123 456 | |
| 07A | | 431654 | TAPA COPERCHIO COVER | DECKEL COUVERCLE | 123 456 | |
| 08A | | 482942 | MUELLE MOLLA SPRING | FEDER RESSORT | 123 456 | |
| 09A | | 288883 | DEFLECTOR CUFFIA COOLING HOOD | HAUBE COIFFE | 123 456 | |
| 10A | | CM105905 | DISPOSITIVO ARRANQUE DISPOSITIVO AVV. EL. EL. START DEVICE | SRARTERVORRICHTUNG DISPOSITIF DU DÉMARR. EL. | 123 456 | |
| 11A | | 289575 | TORNILLO FIJACION DISPOSITIVO VITE SCREW | SCHRAUBE VIS | 123 456 | |

DELL'ORTO

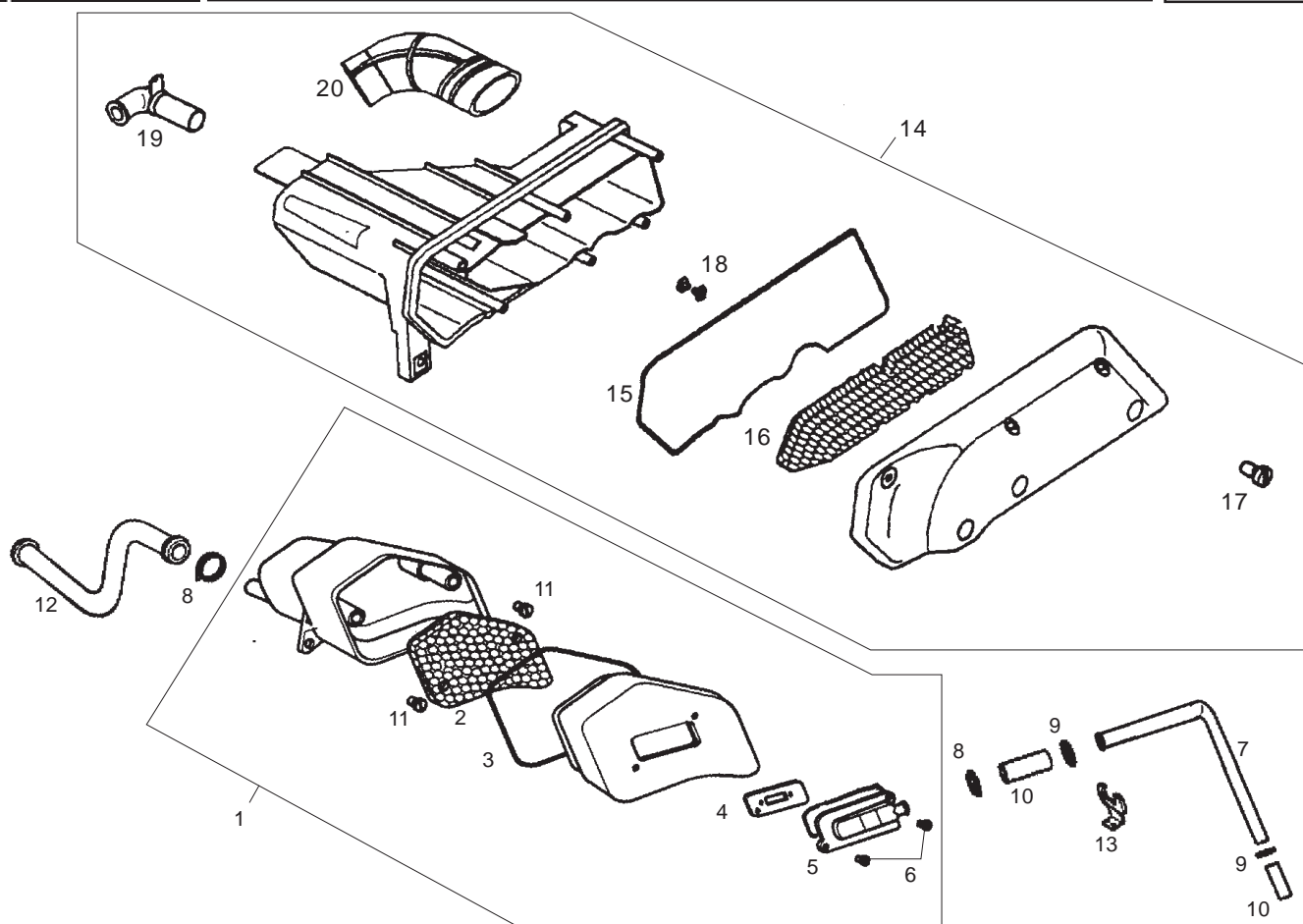


| Fig. | Ver. | COD. KOD. | DESCRIPCIÓN DENOMINAZIONE NAME | BEZEICHUNG DESIGNATION | MOD. | NOTAS NOTES NOTA MITSCHRIFT NOTES |
|------|------|-----------|-------------------------------------------------------------|------------------------------------------------|------------|-----------------------------------|
| 12A | | 288863 | PLACA PIASTRINA PLATE | PLÄTTCHEN PLAQUETTE | 123 456 | |
| 13A | | 288865 | TORNILLO FIJACION TAPA VITE SCREW | SCHRAUBE VIS | 123 456 | |
| 14A | | CM128501 | AGUJA NIVEL GASOLINA SPILLO NEEDLE | DÜSENNADEL POINTEAU | 123 456 | |
| 15A | | 288862 | TORNILLO FIJACION CUBA VITE SCREW | SCHRAUBE VIS | 123 456 | |
| 16A | | 484704 | CUBA VASCHETTA FLOAT CH. | SCHWIMMERGEHÄUSE CUVETTE | 123 456 | |
| 17A | | 498409 | JUEGO JUNTAS CARBURADOR GUARNIZIONE CARB. CARBURETOR GASKET | DICHTUNGSATZ KOMPL. VERGAS ENS. JOINTS CARBUR. | 123 456 | |
| 18A | | 288881 | PERNO PERNO PIN | ZAPFEN PIVOT | 123 456 | |
| 19A | | CM102103 | SURTIDOR MINIMO GETTO MINIMO STARTER JET | GICLEUR MINIMUM. ZEERLAUFDUSE | 123 456 | |
| 20A | | CM101704 | SURTIDOR MAX 53 GETTO MAX 53 MAIN JET 53 | HAUPTDÜSE 53 GICL.MAXI 53 | 123 456 | |
| 21A | | 436206 | VALVULA VALVOLA VALVE | VENTIL SOUPAPE | 123 456 | |
| 22A | | CM141710 | VÁLVULA GAS VALVOLA GAS THROTTLE VALVE | GASSCHIEBER VOLET DE GAZ | 123 456 | |

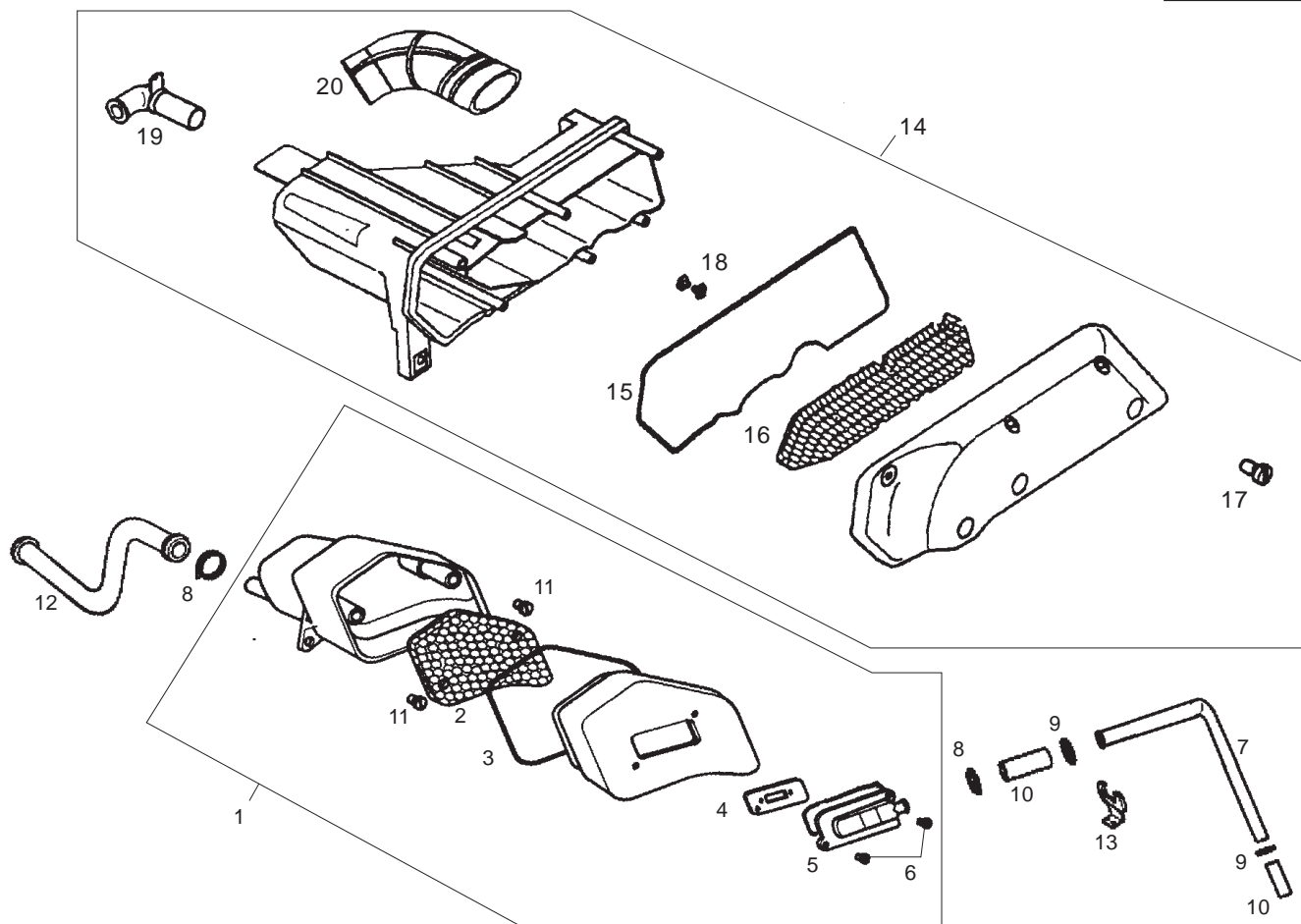


DELL'ORTO

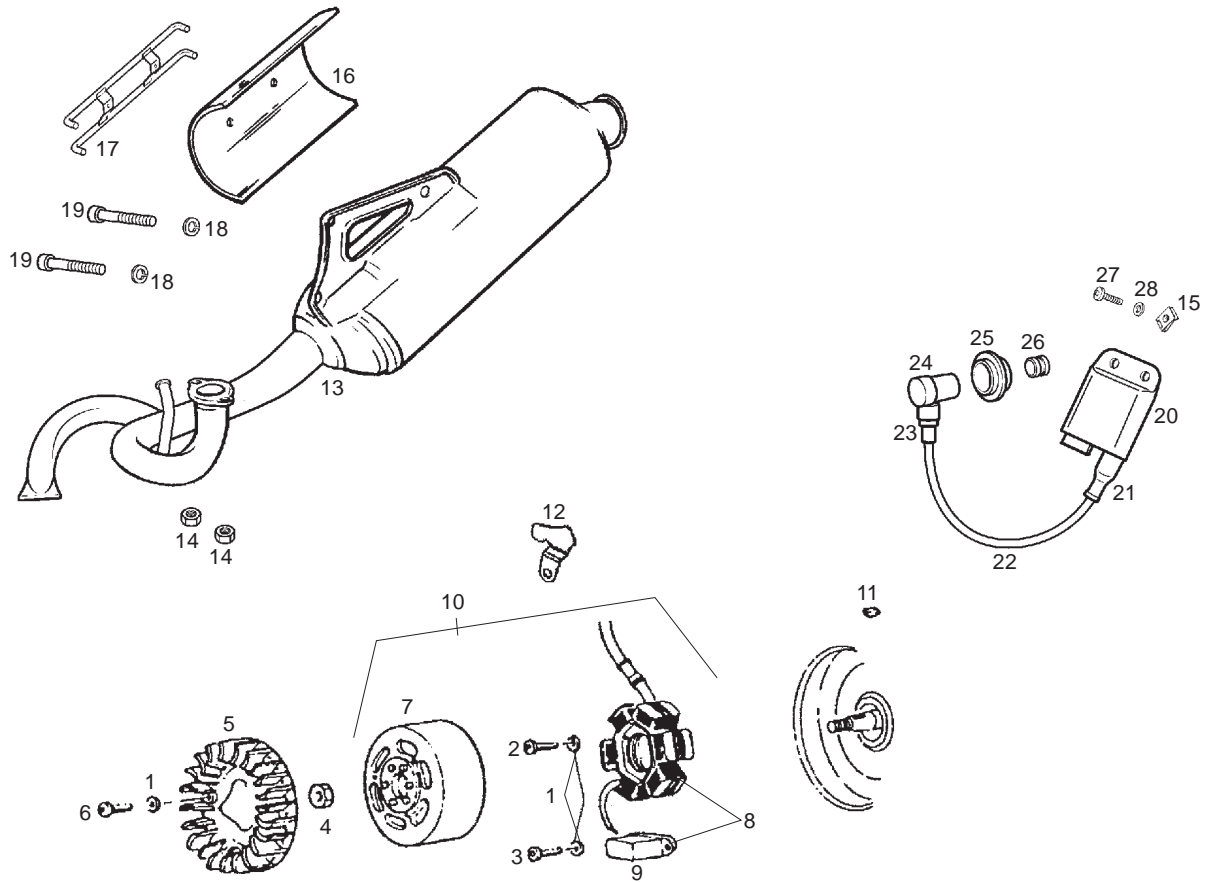
| Fig. | Ver. | COD. KOD. | DESCRIPCIÓN DENOMINAZIONE NAME | BEZEICHNUNG DESIGNATION | MOD. | NOTAS NOTES NOTA MITSCHRIFT NOTES |
|------|------|-------------|-----------------------------------------------------------|-------------------------------|------------|-----------------------------------|
| 23A | | 085285 | MUELLE REGULACION AIRE MOLLA SPRING | FEDER RESSORT | 123 456 | |
| 24A | | 152608 | MUELLE TORNILLO VALVULA MOLLA SPRING | FEDER RESSORT | 123 456 | |
| 25A | | 828074 | TORNILLO REGULACIÓN VALVOLA VITE SCREW | SCHRAUBE VIS | 123 456 | |
| 26A | | CM107701 | TORNILLO AIRE VITE SCREW | SCHRAUBE VIS | 123 456 | |
| 27A | | CM107510 | AGUJA PULVERIZADORA SPILLO CONICO CONICAL NEEDLE | NADELVENTIL. POINTEAU CON. | 123 456 | |
| 28A | | 288872 | ANILLO AGUJA PULVERIZADORA ANELLO EL. CIRCLIP | SPRENGRING CIRCLIPS | 123 456 | |
| 29A | | 288873 | SUJETADOR FERMO RETAINER | BUCHSE ARRÊT | 123 456 | |
| 30A | | 00G04101881 | TUBO CALEFACTOR CARBURADOR TUBO TUBE | SCHLAUCH TUYAU | 123 456 | |
| 31A | | 00G06002151 | CAPERUZA CARBURADOR CUFFIA COOLING HOOD | HAUBE COIFFE | 123 456 | |
| 32A | | 289903 | CAPUCHON CABLE GAS CAPPuccio CABLE RUBBER PROTECTOR | KAPPE CAPUCHON | 123 456 | |



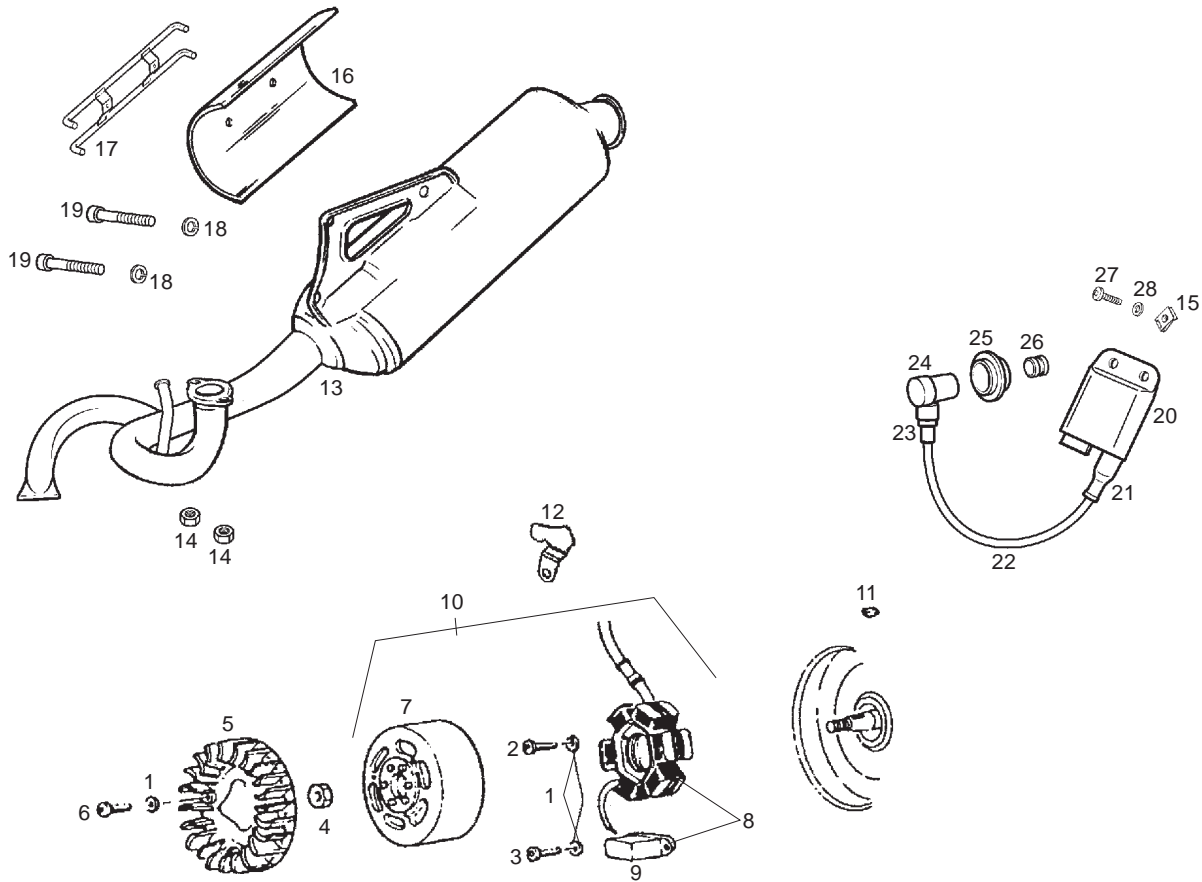
| Fig. | Ver. | COD. KOD. | DESCRIPCIÓN DENOMINAZIONE NAME | BEZEICHUNG DESIGNATION | MOD. | NOTAS NOTES NOTA MITSCHRIFT NOTES |
|------|------|-------------|------------------------------------------------------|---------------------------------------|------------|-----------------------------------|
| 01A | | 8318594 | CAJA AIRE SECUNDARIO SCATOLA FILTRO FILTER BOX | SICHERUNGSKASTEN BOÏTIER DU FILTRE | 123 456 | |
| 02A | | 486942 | FILTRO DE AIRE FILTRO ARIA AIR FILTER | LUFTFILTER FILTRE À AIR | 123 456 | |
| 03A | | 486943 | JUNTA GUARNIZIONE PACKING | DICHTUNG JOINT | 123 456 | |
| 04A | | 832356 | SOPORTE LAMINAS SUPPORTO LAMELLE REEDS BRACKET | EINLASSMEMBRAN SUPPORT LAMELLES | 123 456 | |
| 05A | | 827209 | TAPA COPERCHIO COVER | DECKEL COUVERCLE | 123 456 | |
| 06A | | 478533 | TORNILLO VITE SCREW | SCHRAUBE VIS | 123 456 | |
| 07A | | 00G04204721 | TUBO AIRE SECUNDARIO ATL O2 E2 PG TUBO TUBE | SCHLAUCH TUYAU | 123 456 | |
| 08A | | CM001905 | ABRAZADERA FASCETTA CLAMP | SHELLE COLLIER | 123 456 | |
| 09A | | 00H03800751 | ABRAZADERA FASCETTA CLAMP | SHELLE COLLIER | 123 456 | |
| 10A | | 00G04200731 | MANGUITO TUBO AIRE SECUNDARIO MANICOTTO SLEEVE | MUFFE MANCHON | 123 456 | |
| 11A | | 015597 | TORNILLO VITE SCREW | SCHRAUBE VIS | 123 456 | |



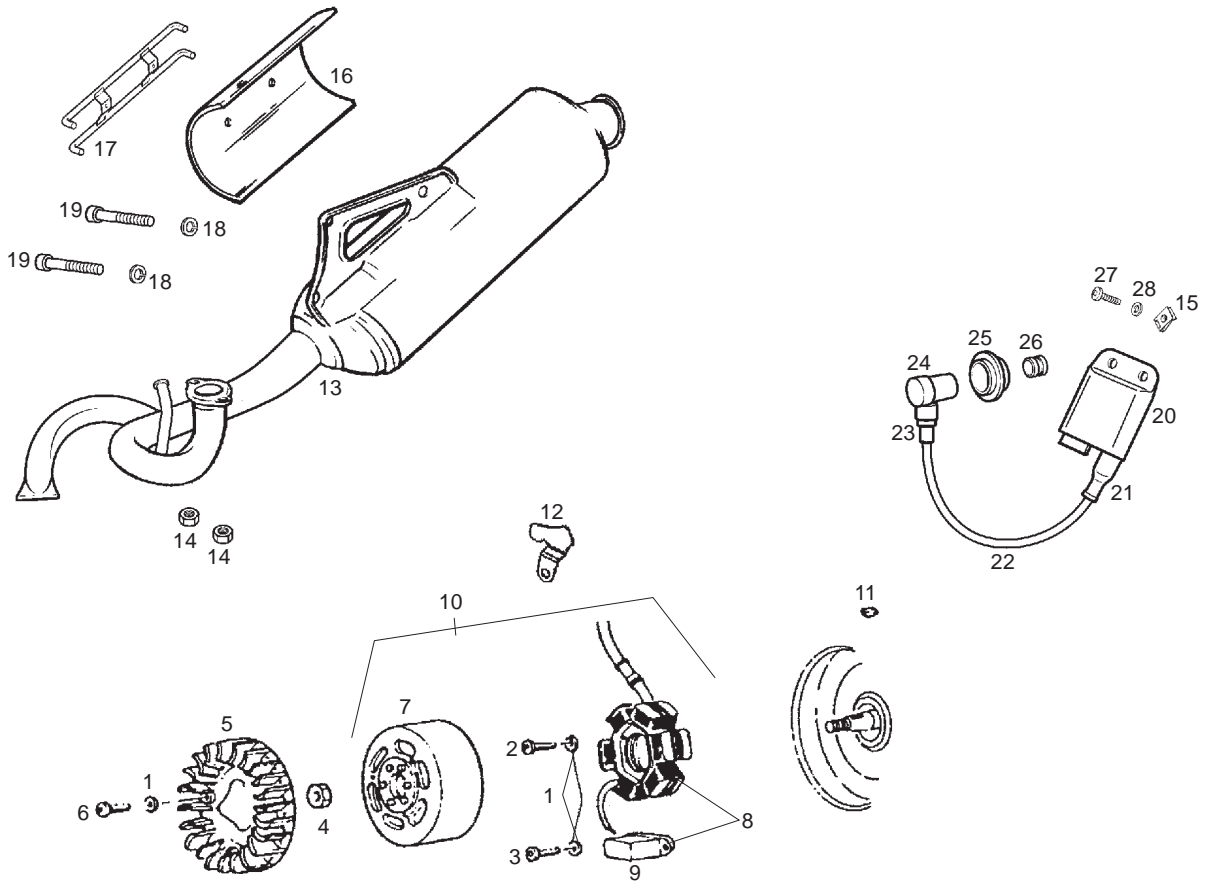
| Fig. | Ver. | COD. KOD. | DESCRIPCIÓN DENOMINAZIONE NAME | BEZEICHNUNG DESIGNATION | MOD. | NOTAS NOTES NOTA MITSCHRIFT NOTES |
|------|------|--------------|--------------------------------------------------------------------------|----------------------------------------|------------|-----------------------------------------------|
| 12A | | 827208 | TUBO TUBO TUBE | SCHLAUCH TUYAU | 123 456 | |
| 13A | | 827794 | PASACABLES PASSACAVO GROMMET | KABELDURCHGANG PASSE-CÂBLE | 123 456 | |
| 14A | | 832175 | CTO.CAJA FILTRO DIESEL 50 E2 CASSA FILTRO COMPLETA FILTER BOX ASSY | FILTERKASTEN ENS. BOITIER DE FILTRE | 123 456 | |
| 15A | | 487718 | JUNTA GUARNIZIONE PACKING | DICHTUNG JOINT | 123 456 | |
| 16A | | 487719 | FILTRO FILTRO FILTER | FILTER FILTRE | 123 456 | |
| 17A | | 258146 | TORNILLO VITE SCREW | SCHRAUBE VIS | 123 456 | |
| 18A | | 258536 | BUJE BOCCOLA BUSH | BUCHSE MOYEU | 123 456 | |
| 19A | | 829715 | MANGUITO MANICOTTO SLEEVE | MUFFE MANCHON | 123 456 | |
| 20A | | 487592 | MANGUITO MANICOTTO SLEEVE | MUFFE MANCHON | 123 456 | |



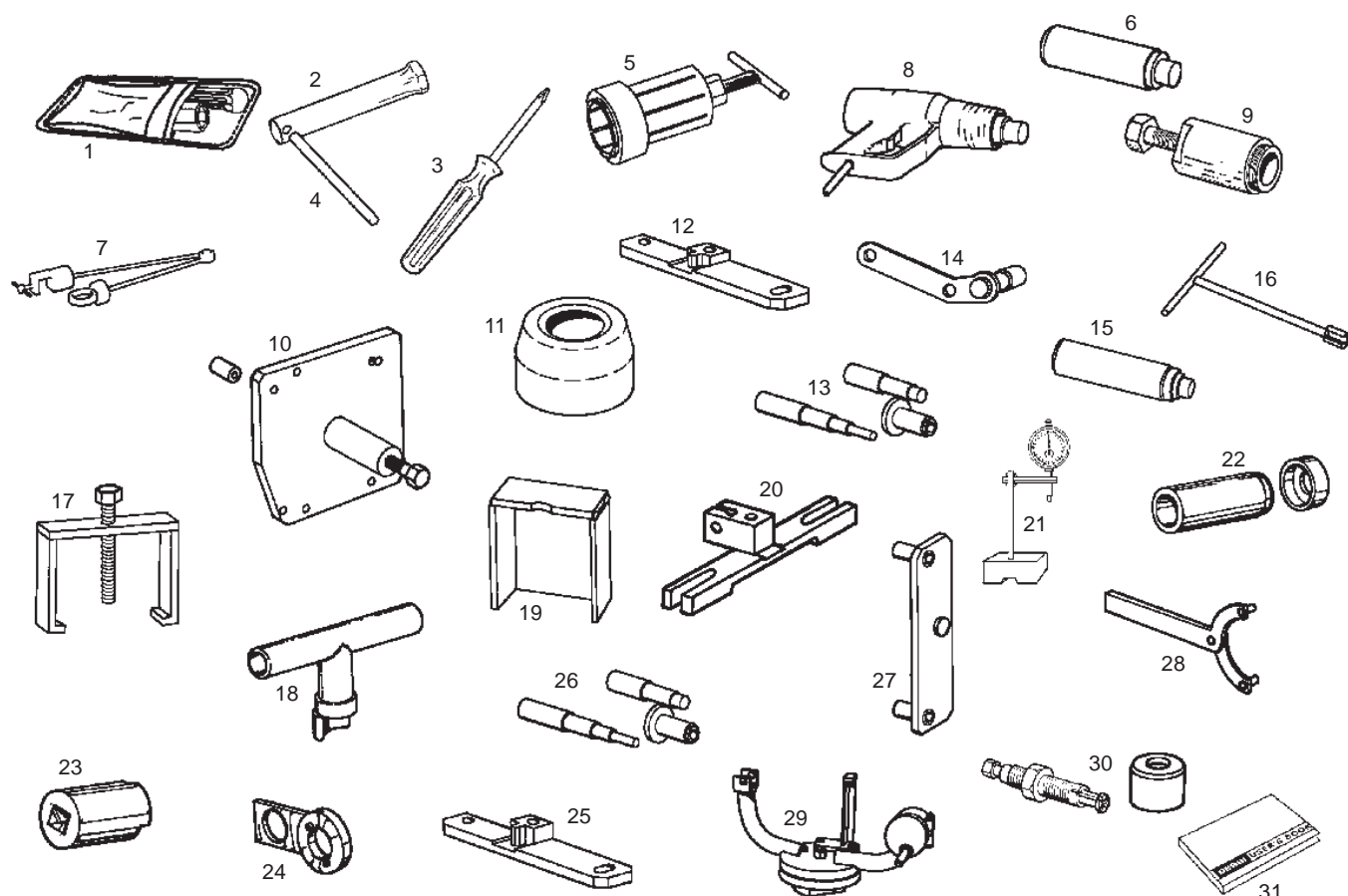
| Fig. | Ver. | COD. KOD. | DESCRIPCIÓN DENOMINAZIONE NAME | BEZEICHUNG DESIGNATION | MOD. | NOTAS NOTES NOTA MITSCHRIFT NOTES |
|------|------|-----------|------------------------------------------|---------------------------------------|------------|-----------------------------------|
| 01A | | 006975 | ARANDELA RONDELLA WASHER | SCHEIBE RONDELLE | 123 456 | |
| 02A | | 015856 | TORNILLO VITE SCREW | SCHRAUBE VIS | 123 456 | |
| 03A | | 015585 | TORNILLO VITE SCREW | SCHRAUBE VIS | 123 456 | |
| 04A | | 289005 | TUERCA DADO NUT | MUTTER ECROU | 123 456 | |
| 05A | | 828765 | VENTILADOR VENTOLA FAN | VENTILATOR VENTILATEUR | 123 456 | |
| 06A | | 015585 | TORNILLO VITE SCREW | SCHRAUBE VIS | 123 456 | |
| 07A | | 293492 | ROTOR ROTORE ROTOR | ROTOR ROTOR | 123 456 | |
| 08A | | 830296 | ESTATOR STATORE BACKPLATE | ANKERPLATTE STATOR | 123 456 | |
| 09A | | 498865 | PICK-UP PICK UP PICK-UP | PICK-UP CAPTEUR | 123 456 | |
| 10A | | 830295 | VOLANTE MAGN. VOLANO MAGNETE FLYWH.MAGN. | LICHTMASCHINE, KPL. VOLANT MAGNETIQUE | 123 456 | |
| 11A | | 000267 | CHAVETA CHIAVETTA KEY | KEIL CLAVETTE | 123 456 | |



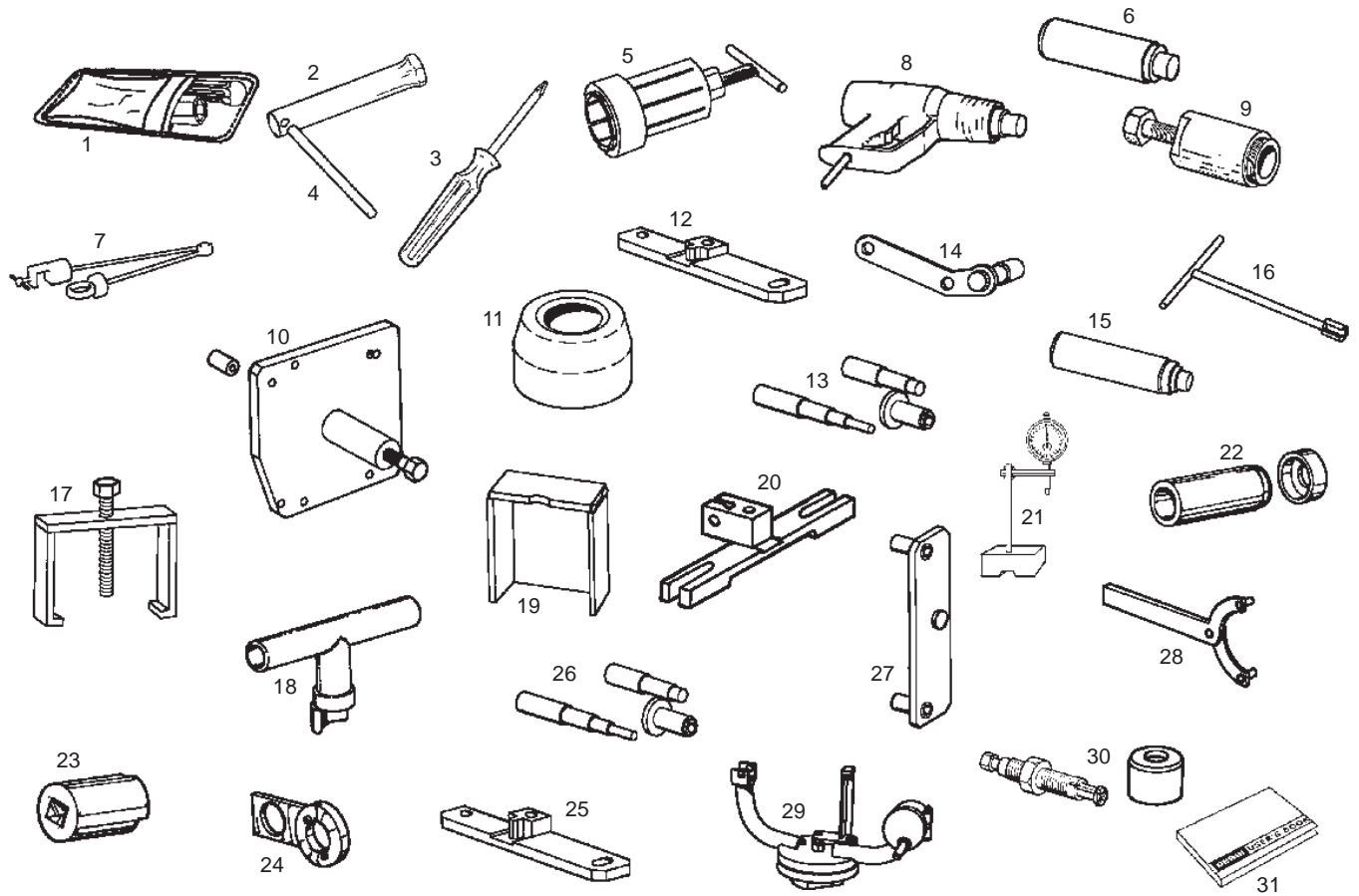
| Fig. | Ver. | COD. KOD. | DESCRIPCIÓN DENOMINAZIONE NAME | BEZEICHNUNG DESIGNATION | MOD. | NOTAS NOTES NOTA MITSCHRIFT NOTES |
|------|------|-------------|----------------------------------------------------------------------------------|------------------------------------------------------------|------------|-----------------------------------|
| 12A | | 827847 | LAMINA LAMIERIONO SHEET | BLECHSTÜCK TÖLE | 123 456 | |
| 13A | | 00G03464601 | TUBO ESCAPE-SILENCIOSO TUBO SCAPPAMENTO EXHAUST PIPE AND MUFFLER ASSY | AUSPUFFTOPF ENSEMBLE SILENCIEUX ECHAPPEMEN | 123 456 | |
| 14A | | 00026006002 | TUERCA EXAG C/BRIDA.6M100 DADO NUT | MUTTER ECROU | 123 456 | |
| 15A | | 00H01500691 | TUERCA FIJACION DADO NUT | MUTTER ECROU | 123 456 | |
| 16A | | 00G01814391 | PROTECTOR SILENCIOSO ATLANTIS PROTEZIONE SILENZIATORE SILENCER SHIELD | SCHALLDAEMPERSCHUTZ PROTECT.SIL. D'ECH.GR.CHROME H | 123 456 | |
| 17A | | 00G03400891 | SCTO. VARILLA PROT. SILENCIOSO ASTA PROTEZIONE SILENZIOSO SILENCER PROTECTOR BAR | SCHALLDAMPFERSCHUTZSTANGE TIGE DE PROTECTION DU SILENCIEUX | 123 456 | |
| 18A | | 00402080001 | ARANDELA D8 Zn.B RONDELLA WASHER | SCHEIBE RONDELLE | 123 456 | |
| 19A | | 00002086521 | TORNILLO 8M125X65 VITE SCREW | SCHRAUBE VIS | 123 456 | |
| 20A | | 00G03310171 | CTO.CONVERSOR ELECT. COVERTITORE ELETTRON COIL | ZUNDSPULE BOBINE | 123 456 | |
| 21A | | 00G03301731 | PROTECT.CONVERS-CABLE BOBINA PROTEZIONE PROTECTOR | ABDECKUNG PROTECTEUR | 123 456 | |
| 22A | | 00G03302741 | CABLE CONVERSOR ELECT. CAVO BOBINA CABLE COIL | ZUNDSPULENKABEL CABLE DE BOBINE | 123 456 | |



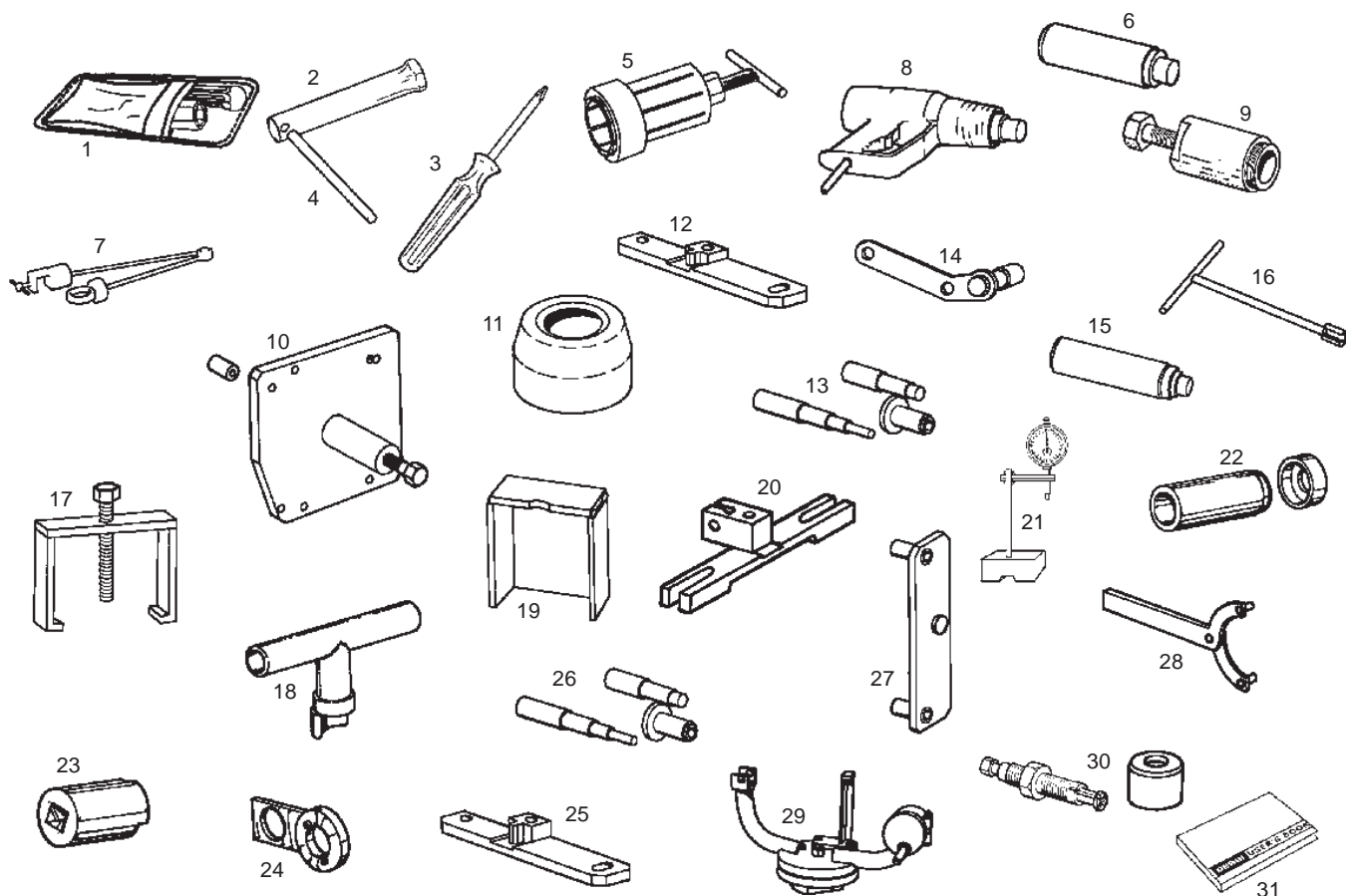
| Fig. | Ver. | COD. KOD. | DESCRIPCIÓN DENOMINAZIONE NAME | BEZEICHNUNG DESIGNATION | MOD. | NOTAS NOTES NOTA MITSCHRIFT NOTES |
|------|------|-------------|---------------------------------------------------------------------|-------------------------------------|------------|-----------------------------------|
| 23A | | 00G03301781 | PROTECT.PIPA BUJIA-CABLE PIPETA CANDELLA SPARK PLUG PROTECTOR | ZUNDKERZENSTECRER PIPE DE BOUGIE | 123 456 | |
| 24A | | 00G03302271 | PIPA BUJIA PIPETA CANDELLA SPARK PLUG | ZUNDKERZENSTECRER PIPE DE BOUGIE | 123 456 | |
| 25A | | 00G03302791 | CAPUCHON PROT.PIPA BUJIA CAPPuccio CABLE RUBBER PROTECTOR | KAPPE CAPUCHON | 123 456 | |
| 26A | | 00G03303791 | CAPUCHON PROT. BUJIA CAPPuccio CABLE RUBBER PROTECTOR | KAPPE CAPUCHON | 123 456 | |
| 27A | | 00000004520 | TORNILLO C/ALLEN 5M80X20 VITE SCREW | SCHRAUBE VIS | 123 456 | |
| 28A | | 00D02600631 | ARANDELA RONDELLA WASHER | SCHEIBE RONDELLE | 123 456 | |



| Fig. | Ver. | COD. KOD. | DESCRIPCIÓN DENOMINAZIONE NAME | BEZEICHNUNG DESIGNATION | MOD. | NOTAS NOTES NOTA MITSCHRIFT NOTES |
|------|------|--------------|---------------------------------------------------------------------------------------------------|----------------------------|------------|-----------------------------------------------|
| 01A | | 00G05101561 | CTO BOLSA HERRAMIENTAS SACCO FERRI CAGIVA TOOL BAG ASSY | | 123 456 | |
| 02A | | 00G05100011 | LLAVE BUJIA CHIAVE CANDELA SPARK PLUG SPANNER | | 123 456 | |
| 03A | | 00005551290 | DESTORNILLADOR CACCIAVITE SCREWDRIVER | | 123 456 | |
| 04A | | 00G05101031 | MANGO LLAVE MANICO CHIAVE SPANNER HANDLE | | 123 456 | |
| 05A | | 004499Y | EXTRACTOR COJINETES ESTRATTORE CUSCINETTI BEARING EXTRACTOR | | 123 456 | |
| 06A | | 020080Y | PUNTERO PARA CASQUILO DE AGUJAS PUNZ. MONT. A.R. TAMBURNO DESMODROMICO GEARBOX COVER ROLLER | | 123 456 | |
| 07A | | 020150Y | SOPORTE PISTOLA TÉRMICA SUPPORTO RISCALDATORE AD ARIA SUPPORT | | 123 456 | |
| 08A | | 020151Y | PISTOLA TÉRMICA RISCALDATORE AD ARIA «METABO HG 1500/2» THERMAL GUN | | 123 456 | |
| 09A | | 020162Y | EXTRACTOR VOLANTE ESTRATTORE VOLANO FLYWHEEL EXTRACTOR | | 123 456 | |
| 10A | | 020163Y | CHAPA SEPARADOR CARTER PIASTRA SEPARAZIONE CARTER CRANKCASE SEPARATOR | | 123 456 | |
| 11A | | 020164Y | FUNDA MONT. SEMIPOLEAS GUAINA MONT.SEMIPULEGGE DRIVEN PULLEY ASSEMBLING COLLAR | | 123 456 | |



| Fig. | Ver. | COD. KOD. | DESCRIPCIÓN DENOMINAZIONE NAME | BEZEICHNUNG DESIGNATION | MOD. | NOTAS NOTES NOTA MITSCHRIFT NOTES |
|------|------|-----------|--------------------------------------------------------------------------------------------------------------------------|-------------------------|------------|-----------------------------------|
| 12A | | 020451Y | SUJETADOR CORONA DE ARRANQUE FERMO CORONA AVVIAMENTO STARTER GEAR RETAINER | | 123 456 | |
| 13A | | 020166Y | UTIL MONT. AROS ELÁSTICOS EN EL PISTÓN ATTREZZO MONT FERMI PISTONE PISTON PIN SPRING CLIPS FITTING TOOL | | 123 456 | |
| 14A | | 020167Y | SUJETADOR RODETE BOMBA DE AGUA FERMO GIRANTE ACQUA WATER PUMP RETAINER | | 123 456 | |
| 15A | | 020168Y | PUNTERO MONT.RET.AGUA A SEMICÁRTER PUNZ. MONT. ANELLO TENUTA DRIFT FOR WATER PUMP SEAL | | 123 456 | |
| 16A | | 020169Y | LLAVE MONT. EJE MANDO BOMBA AGUA CHIAVE PER ALBERO POMPA WATER PUMP WRENCH | | 123 456 | |
| 17A | | 020361Y | EXTRACTOR ENG. MANDO MEZCLADOR PUNZONE 22mm MIXER DRIVE WHEEL EXTRACTOR | | 123 456 | |
| 18A | | 020261Y | MONT. MUELLE PUESTA EN MAR-CHA ATTR. MONT. MOLLA SETTORE DI AVVIAMENTO STARTER SPRING FITTING TOOL | | 123 456 | |
| 19A | | 020265Y | BASE BASE PER MONTAGGIO CUSCINETTI CRANKSHAFT SUPPORT | | 123 456 | |
| 20A | | 020268Y | SOPORTE COMPARADOR BASE PER CONTROLLO SPORGENZA PISTONE DIAL GAUGE AND SUPPORT | | 123 456 | |
| 21A | | 020335Y | ÚTIL COMPARADOR Y SOPORTE SUPPORTO MAGNETICO E COMPARATORE DIAL GAUGE AND SUPPORT | | 123 456 | |
| 22A | | 020340Y | PUNZÓN RETÉN CIGÜEÑAL LADO VOLANTE PUNZONE MONT. PAROLIO VOLANO E TRSMISS. CRANKSHAFT FLYWHEEL SIDE OIL SEAL DRIFT | | 123 456 | |



| Fig. | Ver. | COD. KOD. | DESCRIPCIÓN DENOMINAZIONE NAME | BEZEICHNUNG DESIGNATION | MOD. | NOTAS NOTES NOTA MITSCHRIFT NOTES |
|------|------|-------------|---------------------------------------------------------------------------------------------------------------------------|-------------------------|------------|-----------------------------------|
| 23A | | 020341Y | UTIL PARA DESMONTAR VÁLVULA CHIAVE VALVOLA INIETTORE VALVE PULLER | | 123 456 | |
| 24A | | 020342Y | FIJADOR POLEA CIGÜEÑAL COMPRESOR FERMO PULEGGIA COMPRESSORE COMPRESSOR SHAFT SPROCKET HOLDER | | 123 456 | |
| 25A | | 020343Y | SUJETADOR CORONA DE ARRANQUE FERMO CORONA AVVIAMENTO STARTER GEAR RETAINER | | 123 456 | |
| 26A | | 020344Y | UTIL MONT. AROS ELÁSTICOS EN EL PISTÓN ATTR. MONTAGGIO ANELLI ELASTICI PISTONE PISTON PIN SPRING CLIPS FITTING TOOL | | 123 456 | |
| 27A | | 020346Y | FIJADOR VOLANTE FERMO VOLANO PER FASATURA INIEZIONE FLYWHEEL HOLDER | | 123 456 | |
| 28A | | 020565Y | SUJETADOR CORONA DENTADA ATTREZZO REGOLAZIONE TENSIONE CINGHIA DRIVEN PULLEY RETAINER | | 123 456 | |
| 29A | | 005095Y | SOPORTE MOTOR SUPPORTO MOTORE ENGINE SUPPORT | | 123 456 | |
| 30A | | 001467Y | EXTRACTOR ESTRATTORE CUSCINETTI BEARING EXTRACTOR | | 123 456 | |
| 31A | | 00G05165126 | MANUAL USUARIO (5 IDIOMAS) LIBRETTI DI ISTRUZIONI USER'S BOOK | | 123 456 | |

| CODIGO CODE | Lám. Diagr. | Figr. | Vers. | CODIGO CODE | Lám. Diagr. | Figr. | Vers. | CODIGO CODE | Lám. Diagr. | Figr. | Vers. | CODIGO CODE | Lám. Diagr. | Figr. | Vers. |
|-------------|-------------|-------|-------|-------------|-------------|-------|-------|-------------|-------------|-------|-------|-------------|-------------|-------|-------|
| 0000A517011 | 07 | 31A | | 00014041200 | 06 | 28A | | 020361Y | 20 | 17A | | 289903 | 17 | 32A | |
| 00000002850 | 02 | 12A | | 00021012001 | 08 | 11A | | 020451Y | 20 | 12A | | 289931 | 14 | 19A | |
| 00000004515 | 04 | 02A | | 00022087021 | 05 | 10A | | 020565Y | 20 | 28A | | 289933 | 14 | 16A | |
| 00000004515 | 09 | 16A | | 00026006002 | 19 | 14A | | 031091 | 15 | 18A | | 289950 | 14 | 08A | |
| 00000004520 | 19 | 27A | | 00038004000 | 07 | 15A | | 078307 | 13 | 20A | | 289952 | 14 | 04A | |
| 00000004610 | 02 | 09A | | 00040008000 | 07 | 24A | | 085285 | 17 | 23A | | 289955 | 14 | 14A | |
| 00000004612 | 07 | 27A | | 00057000500 | 01 | 19A | | 113533 | 16 | 05A | | 293492 | 19 | 07A | |
| 00000004615 | 01 | 13A | | 00058120100 | 08 | 05A | | 113903 | 17 | 06A | | 414834 | 15 | 13A | |
| 00000004830 | 10 | 20A | | 00092062014 | 10 | 28A | | 140435 | 13 | 17A | | 414835 | 16 | 10A | |
| 00000004840 | 06 | 15A | | 00092063514 | 10 | 25A | | 146197 | 16 | 34A | | 414837 | 15 | 30A | |
| 00000023040 | 09 | 21A | | 00232080021 | 05 | 01A | | 152608 | 17 | 24A | | 414838 | 16 | 18A | |
| 00000023040 | 10 | 10A | | 00232160021 | 08 | 21A | | 154873 | 12 | 02A | | 431125 | 13 | 01A | |
| 00000023051 | 04 | 10A | | 00262100032 | 01 | 09A | | 231590 | 16 | 43A | | 4316255 | 13 | 04A | |
| 00000023051 | 10 | 19A | | 00402060001 | 04 | 19A | | 239382 | 16 | 02A | | 431654 | 17 | 07A | |
| 00000023060 | 01 | 11A | | 00402060001 | 10 | 18A | | 239388 | 16 | 09A | | 431860 | 16 | 13A | |
| 00000023060 | 04 | 17A | | 00402080001 | 19 | 18A | | 239397 | 13 | 10A | | 433987 | 15 | 32A | |
| 00000023060 | 09 | 24A | | 00402100001 | 01 | 17A | | 239404 | 13 | 07A | | 434735 | 15 | 17A | |
| 00000023080 | 02 | 14A | | 00432060002 | 10 | 27A | | 239455 | 13 | 08A | | 435295 | 16 | 17A | |
| 00000023080 | 06 | 06A | | 00442080002 | 05 | 13A | | 242364 | 08 | 39A | | 436206 | 17 | 21A | |
| 00000023100 | 01 | 07A | | 00442080002 | 05 | 16A | | 258146 | 18 | 17A | | 436719 | 13 | 16A | |
| 00000023100 | 05 | 05A | | 00702009321 | 08 | 33A | | 258536 | 18 | 18A | | 436864 | 14 | 26A | |
| 00000031050 | 09 | 15A | | 000267 | 19 | 11A | | 265300 | 14 | 31A | | 438034 | 13 | 13A | |
| 00000031050 | 10 | 23A | | 000397 | 15 | 34A | | 266625 | 16 | 08A | | 463872 | 16 | 14A | |
| 00000031060 | 04 | 08A | | 001467Y | 20 | 30A | | 266724 | 08 | 26A | | 478028 | 14 | 11A | |
| 00000031060 | 07 | 28A | | 004499Y | 20 | 05A | | 266725 | 08 | 27A | | 478197 | 15 | 05A | |
| 00000031060 | 09 | 23A | | 005095Y | 20 | 29A | | 266773 | 16 | 40A | | 4784925 | 15 | 12A | |
| 00000031080 | 02 | 13A | | 006416 | 15 | 31A | | 267823 | 16 | 07A | | 478498 | 15 | 15A | |
| 00000031080 | 06 | 05A | | 006624 | 14 | 03A | | 269755 | 15 | 33A | | 478533 | 18 | 06A | |
| 00000031100 | 01 | 06A | | 006647 | 15 | 16A | | 272929 | 05 | 08A | | 479495 | 14 | 17A | |
| 00000031100 | 02 | 11A | | 006975 | 16 | 29A | | 273419 | 08 | 32A | | 4795526 | 14 | 05A | |
| 00000031100 | 05 | 04A | | 006975 | 19 | 01A | | 2736235 | 08 | 25A | | 479561 | 14 | 25A | |
| 00000033100 | 05 | 07A | | 008375 | 13 | 19A | | 274245 | 08 | 28A | | 4795715 | 15 | 07A | |
| 00002051551 | 04 | 18A | | 015585 | 16 | 31A | | 278940 | 05 | 11A | | 479866 | 14 | 28A | |
| 00002052051 | 04 | 06A | | 015585 | 19 | 03A | | 286158 | 14 | 18A | | 480066 | 15 | 08A | |
| 00002086521 | 19 | 19A | | 015585 | 19 | 06A | | 286162 | 16 | 27A | | 480227 | 14 | 20A | |
| 00002112500 | 02 | 15A | | 015597 | 18 | 11A | | 286163 | 16 | 28A | | 480230 | 14 | 22A | |
| 00002113500 | 02 | 22A | | 015856 | 16 | 30A | | 286207 | 16 | 20A | | 480410 | 14 | 27A | |
| 00003111110 | 08 | 23A | | 015856 | 16 | 36A | | 286209 | 16 | 12A | | 480953 | 15 | 09A | |
| 00003112320 | 08 | 10A | | 015856 | 19 | 02A | | 286214 | 15 | 24A | | 482314 | 13 | 05A | |
| 00004061600 | 06 | 03A | | 016404 | 15 | 03A | | 286217 | 15 | 25A | | 482315 | 13 | 02A | |
| 00004215000 | 05 | 06A | | 018644 | 15 | 02A | | 286219 | 15 | 27A | | 482432 | 16 | 15A | |
| 00005551290 | 20 | 03A | | 020006 | 16 | 03A | | 2865345 | 13 | 15A | | 482766 | 14 | 06A | |
| 00006083000 | 08 | 18A | | 020008 | 16 | 06A | | 286810 | 13 | 06A | | 482916 | 17 | 03A | |
| 00006309260 | 06 | 08A | | 020080Y | 20 | 06A | | 287021 | 16 | 24A | | 482942 | 17 | 08A | |
| 00006321040 | 06 | 09A | | 020106 | 16 | 25A | | 287073 | 16 | 32A | | 483443 | 14 | 10A | |
| 00008051200 | 11 | 17A | | 020150Y | 20 | 07A | | 287223 | 16 | 04A | | 483537 | 14 | 29A | |
| 00008062500 | 09 | 22A | | 020151Y | 20 | 08A | | 288041 | 15 | 26A | | 483859 | 15 | 29A | |
| 00008902630 | 01 | 22A | | 020162Y | 20 | 09A | | 288245 | 13 | 18A | | 484704 | 17 | 16A | |
| 00011031001 | 11 | 16A | | 020163Y | 20 | 10A | | 288531 | 13 | 14A | | 486942 | 18 | 02A | |
| 00011031401 | 07 | 22A | | 020164Y | 20 | 11A | | 288639 | 15 | 11A | | 486943 | 18 | 03A | |
| 00011031401 | 11 | 13A | | 020166Y | 20 | 13A | | 288862 | 17 | 15A | | 4874805 | 15 | 01A | |
| 00011031600 | 07 | 19A | | 020167Y | 20 | 14A | | 288863 | 17 | 12A | | 4874845 | 15 | 14A | |
| 00011031801 | 07 | 23A | | 020168Y | 20 | 15A | | 288865 | 17 | 13A | | 487592 | 18 | 20A | |
| 00011031801 | 11 | 14A | | 020169Y | 20 | 16A | | 288868 | 17 | 05A | | 487718 | 18 | 15A | |
| 00011032501 | 10 | 12A | | 020261Y | 20 | 18A | | 288872 | 17 | 28A | | 487719 | 18 | 16A | |
| 00011051601 | 09 | 03A | | 020265Y | 20 | 19A | | 288873 | 17 | 29A | | 4878020001 | 13 | 11A | |
| 00011051601 | 10 | 14A | | 020268Y | 20 | 20A | | 288881 | 17 | 18A | | 4878020002 | 13 | 11B | |
| 00011051801 | 09 | 13A | | 020335Y | 20 | 21A | | 288883 | 17 | 09A | | 4878020003 | 13 | 11C | |
| 00011051801 | 10 | 13A | | 020340Y | 20 | 22A | | 289005 | 19 | 04A | | 4878020004 | 13 | 11D | |
| 00011055001 | 09 | 09A | | 020341Y | 20 | 23A | | 289191 | 16 | 26A | | 487935 | 14 | 12A | |
| 00012044000 | 07 | 12A | | 020342Y | 20 | 24A | | 289495 | 15 | 23A | | 496149 | 16 | 42A | |
| 00012083001 | 05 | 15A | | 020343Y | 20 | 25A | | 289519 | 14 | 15A | | 498337 | 12 | 03A | |
| 00012151500 | 09 | 18A | | 020344Y | 20 | 26A | | 289575 | 17 | 11A | | 498409 | 17 | 17A | |
| 00012151500 | 10 | 15A | | 020346Y | 20 | 27A | | 289840 | 14 | 09A | | 498865 | 19 | 09A | |

| CODIGO CODE | Lám. Diagr. | Figr. | Vers. | CODIGO CODE | Lám. Diagr. | Figr. | Vers. | CODIGO CODE | Lám. Diagr. | Figr. | Vers. | CODIGO CODE | Lám. Diagr. | Figr. | Vers. |
|----------------|----------------|-------|-------|----------------|----------------|-------|-------|----------------|----------------|-------|-------|----------------|----------------|-------|-------|
| 500501 | 13 | 03A | | CM128501 | 17 | 14A | | | | | | | | | |
| 500502 | 13 | 03B | | CM141710 | 17 | 22A | | | | | | | | | |
| 500503 | 13 | 03C | | | | | | | | | | | | | |
| 500504 | 13 | 03D | | | | | | | | | | | | | |
| 504111P | 12 | 01A | | | | | | | | | | | | | |
| 560796 | 08 | 31A | | | | | | | | | | | | | |
| 564497 | 16 | 38A | | | | | | | | | | | | | |
| 583334 | 06 | 04A | | | | | | | | | | | | | |
| 583461 | 15 | 19A | | | | | | | | | | | | | |
| 583603 | 05 | 12A | | | | | | | | | | | | | |
| 584521 | 07 | 26A | | | | | | | | | | | | | |
| 825182 | 13 | 11E | | | | | | | | | | | | | |
| 825185 | 13 | 11F | | | | | | | | | | | | | |
| 82521R | 16 | 19A | | | | | | | | | | | | | |
| 82530R | 15 | 20A | | | | | | | | | | | | | |
| 82531R | 15 | 21A | | | | | | | | | | | | | |
| 825416 | 13 | 09A | | | | | | | | | | | | | |
| 825865 | 17 | 04A | | | | | | | | | | | | | |
| 82605R | 16 | 33A | | | | | | | | | | | | | |
| 82655R | 14 | 02A | | | | | | | | | | | | | |
| 827085 | 15 | 28A | | | | | | | | | | | | | |
| 827208 | 18 | 12A | | | | | | | | | | | | | |
| 827209 | 18 | 05A | | | | | | | | | | | | | |
| 82727R | 16 | 21A | | | | | | | | | | | | | |
| 827425 | 16 | 35A | | | | | | | | | | | | | |
| 827794 | 18 | 13A | | | | | | | | | | | | | |
| 827847 | 19 | 12A | | | | | | | | | | | | | |
| 827893 | 14 | 07A | | | | | | | | | | | | | |
| 828074 | 17 | 25A | | | | | | | | | | | | | |
| 828152 | 16 | 23A | | | | | | | | | | | | | |
| 8284535 | 16 | 11A | | | | | | | | | | | | | |
| 828765 | 19 | 05A | | | | | | | | | | | | | |
| 828862 | 08 | 30A | | | | | | | | | | | | | |
| 828863 | 08 | 29A | | | | | | | | | | | | | |
| 829715 | 18 | 19A | | | | | | | | | | | | | |
| 830212 | 14 | 30A | | | | | | | | | | | | | |
| 830295 | 19 | 10A | | | | | | | | | | | | | |
| 830296 | 19 | 08A | | | | | | | | | | | | | |
| 830821 | 16 | 16A | | | | | | | | | | | | | |
| 830939 | 16 | 22A | | | | | | | | | | | | | |
| 831116 | 13 | 12A | | | | | | | | | | | | | |
| 831458 | 15 | 22A | | | | | | | | | | | | | |
| 8318594 | 18 | 01A | | | | | | | | | | | | | |
| 832130 | 15 | 04A | | | | | | | | | | | | | |
| 832175 | 18 | 14A | | | | | | | | | | | | | |
| 832356 | 18 | 04A | | | | | | | | | | | | | |
| 833656 | 17 | 01A | | | | | | | | | | | | | |
| 833700 | 16 | 39A | | | | | | | | | | | | | |
| 833817 | 16 | 37A | | | | | | | | | | | | | |
| 942135 | 15 | 10A | | | | | | | | | | | | | |
| CM001905 | 18 | 08A | | | | | | | | | | | | | |
| CM100109 | 14 | 01A | | | | | | | | | | | | | |
| CM1002045 | 14 | 13A | | | | | | | | | | | | | |
| CM100610 | 14 | 24A | | | | | | | | | | | | | |
| CM101509 | 16 | 44A | | | | | | | | | | | | | |
| CM101605 | 16 | 41A | | | | | | | | | | | | | |
| CM101704 | 17 | 20A | | | | | | | | | | | | | |
| CM102103 | 17 | 19A | | | | | | | | | | | | | |
| CM105905 | 17 | 10A | | | | | | | | | | | | | |
| CM107510 | 17 | 27A | | | | | | | | | | | | | |
| CM107701 | 17 | 26A | | | | | | | | | | | | | |
| CM1102025 | 14 | 21A | | | | | | | | | | | | | |
| CM110301 | 14 | 23A | | | | | | | | | | | | | |
| CM1273045 | 16 | 01A | | | | | | | | | | | | | |