

NACIONAL MOTOR, S.A. DERBI

C/ Barcelona, nº19 - Martorelles 08107 - BARCELONA (SPAIN)

Tel. 93 565 78 78 - Fax 93 565 78 52



ATLANTIS

IDENTIFICACION DE MODELOS REPRESENTADOS EN ESTE
CATALOGO SEGUN LOS DIGITOS SIGUIENTES

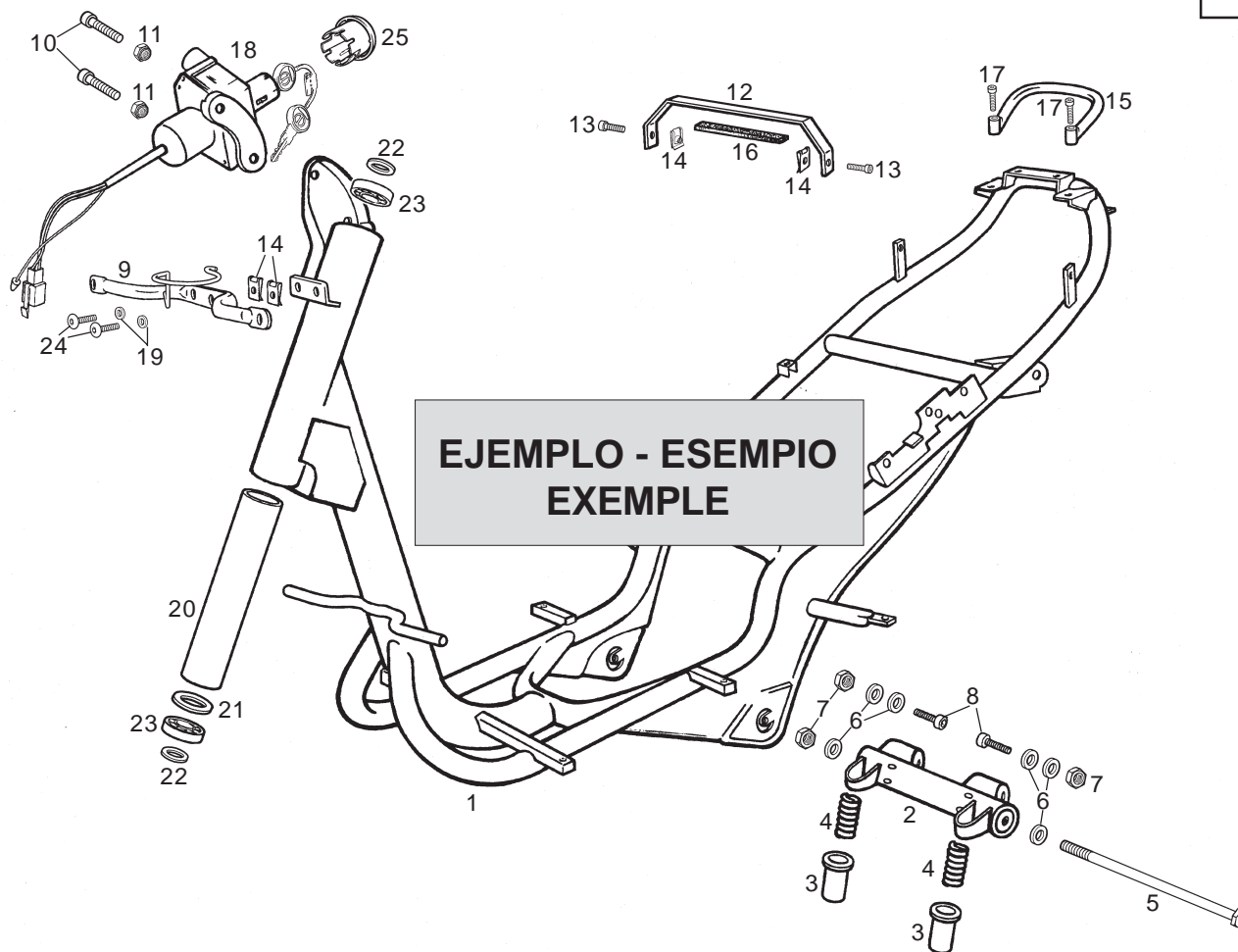
IDENTIFICAZIONE DEI MODELLI RAPPRESENTATI IN QUESTO CATALOGO
SECONDO I NUMERI A SEGUIRE

THE MODELS REFERRED INTO THIS CATALOGUE ARE IDENTIFIED
BY FOLLOWING NUMBERS

MODELO
MODELLI
MODEL

DENOMINACION
DENOMINAZIONE
MODEL NAME

- | | |
|--------|---|
| 1..... | ATLANTIS ESPAÑA 2001 ROJO PIROMORFITA |
| 2..... | ATLANTIS ESPAÑA 2001 RED BULLET |
| 3..... | ATLANTIS W.V.T.A. 2001 ROJO PIROMORFITA |
| 4..... | ATLANTIS W.V.T.A. 2001 RED BULLET |



Figr.	Vers.	COD.	DESCRIPCIÓN / DENOMINAZIONE	DESIGNATION	MOD.	Nº CHASIS Nº TELAIO FRAME NUM.
-------	-------	------	-----------------------------	-------------	------	--------------------------------------

①	01A	00G01923601	R-SCTO.CUADRO C/COJIN. ATLANTIS TELAIO	FRAME SUB-ASSEMBLY	1234	XXXXXXX
②	01A 01	00G01923601	R-SCTO.CUADRO C/COJIN. ATLANTIS TELAIO	FRAME SUB-ASSEMBLY	1234	XXXXXXX
③	01A 02	00G01923601				
④	01A 03	00G01923601	R-SCTO.CUADRO C/COJIN. ATLANTIS TELAIO	FRAME SUB-ASSEMBLY	1234	XXXXXXX
⑤				⑧	⑥	⑦

1. Código de localización de piezas.
2. Código indicativo de pieza reemplazada.
3. Código indicativo de pieza anulada.
4. Código indicativo de pieza restituida (esta se monta de nuevo).
5. Código de referencia de la pieza.
6. Identificación de modelos.
7. Los códigos de esta casilla indican que, a partir del número de chasis o motor indicado dentro de esta, se monta una nueva pieza que reemplaza a la anterior (sección 2), que una pieza no se monta (sección 3), o que la pieza anulada se monta de nuevo (sección 4), y concierne a los modelos indicados (sección 6).
8. Denominación de la pieza.

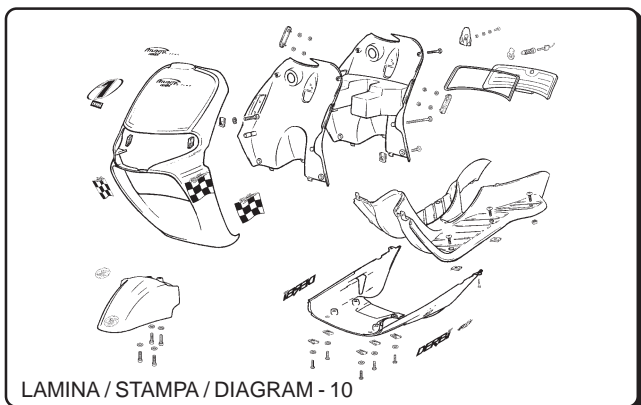
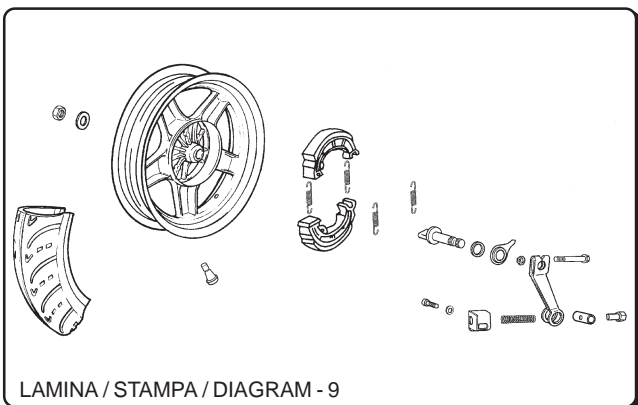
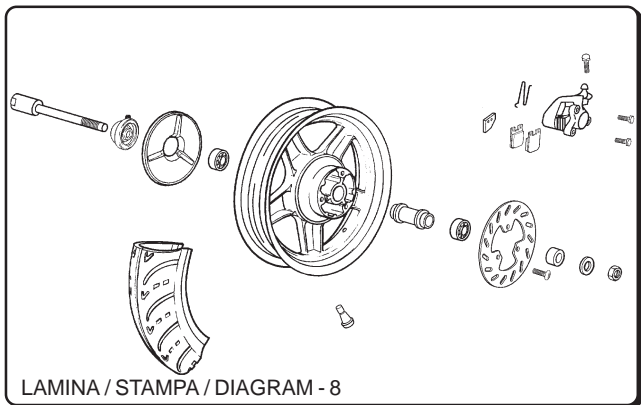
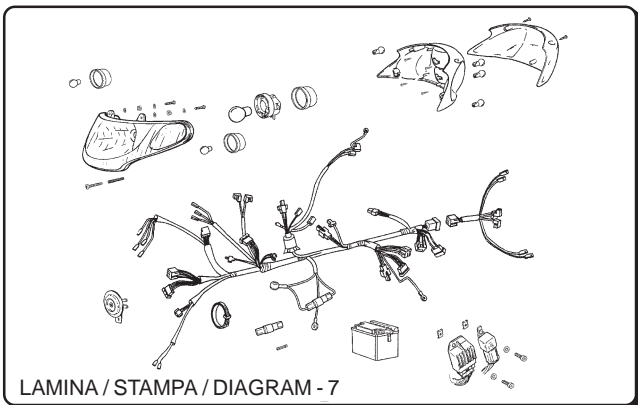
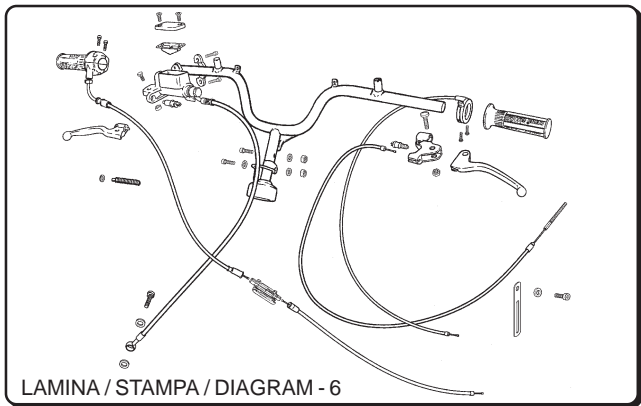
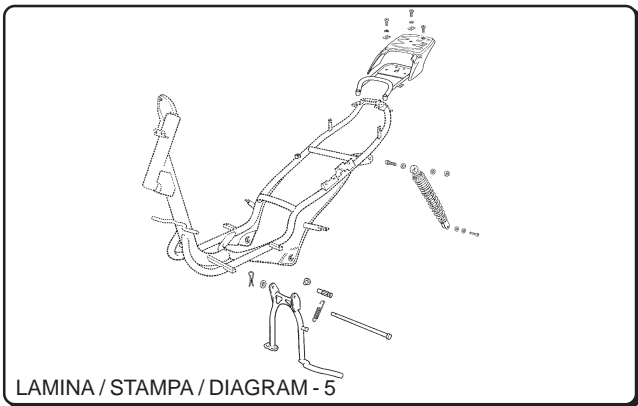
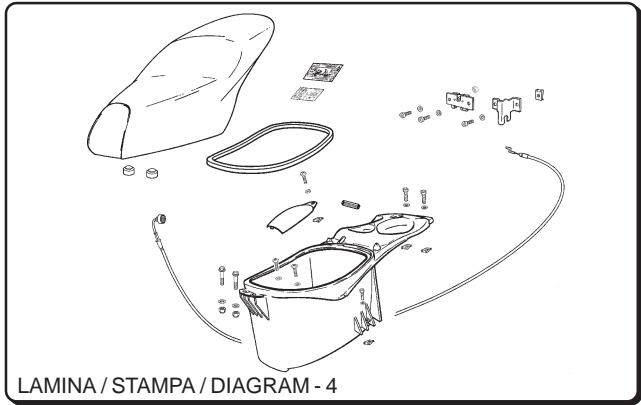
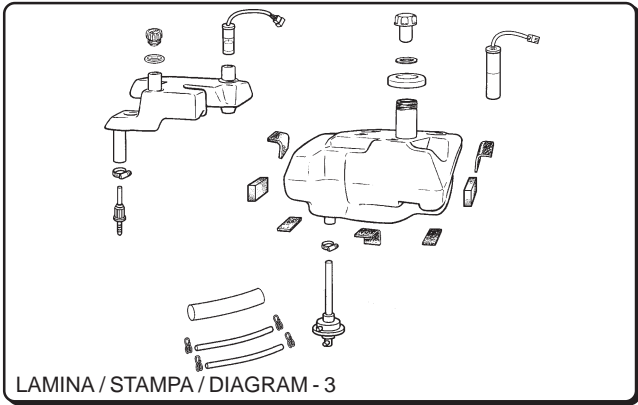
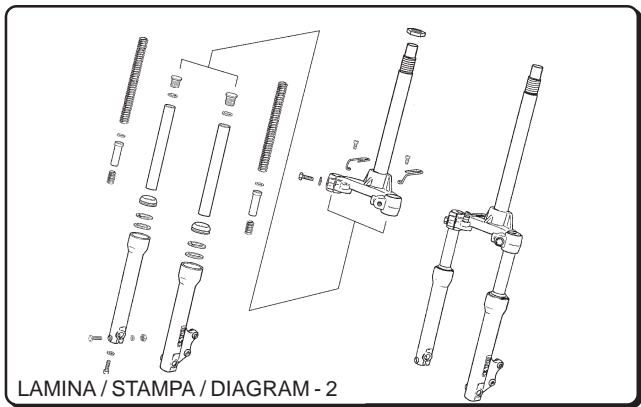
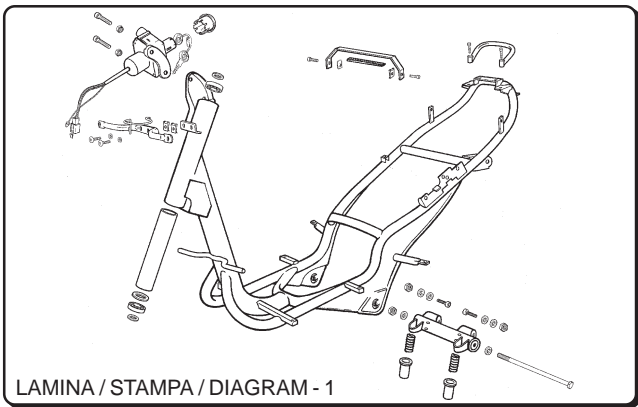
1. Part location number.
2. Substituted part number.
3. Withdrawn part number (no longer fitted).
4. Restored part number (newly fitted geing withdrawn).
5. Part reference number.
6. Model identification number.
7. Chassis or engine number from which a new part is fitted substituting a part which has been withdrawn (see para 2) or a part is withdrawn (see para 3), or a part previously withdrawn is fitted again (see para 4), in the models indicated (see para 6).
8. Part identification label.

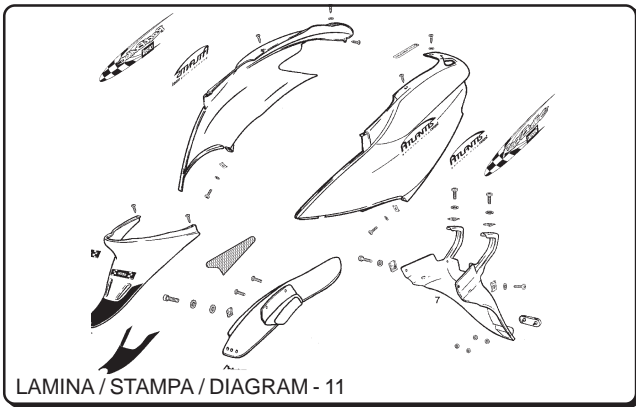
1. Codice di localizzazione pezzi.
2. Codice indicatore del pezzo sostituito.
3. Il pezzo precedente non si monta.
4. Codice indicatore dei pezzi che si tornano a montare.
5. Codice di identificazione del pezzo.
6. Identificazione del modello.
7. Il codice di questa casella indica che, dal numero di Telaio/motore indicato, si monta un nuovo pezzo che sostituisce il precedente (sezione 2), che un pezzo non si monta (sezione 3), oppure che il pezzo annullato si monta di nuovo (sezione 4), facendo riferimento al modello indicato (sezione 6).
8. Denominazione del pezzo.

Relación Piezas Diferenciadas por el Color / Lista Parti Coloranti
Color Combination Parts List

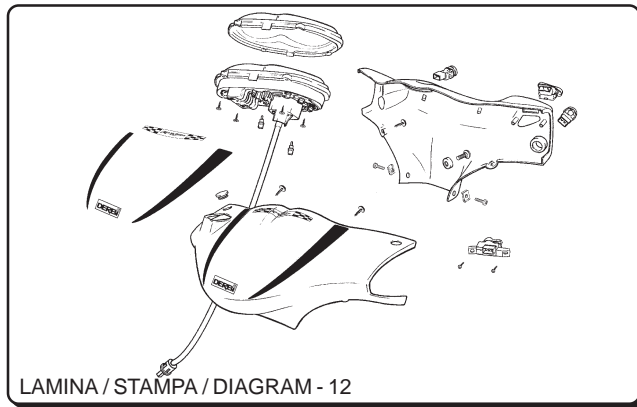
Color / Colore / Colour: ROJO PIROMORFITA		
Cod.	Denominación / Denominazione	Name
00G04926087	R-SCTO.ESC.FR.RJ.PIROM.ATLANTIS CARENATURA FRONTALE	FRONT SHIELD
00G00703027	GUARD.DT.ROJO AVELL.ATLANTIS PARAFANGO ANTERIORE	FRONT FENDER
00G06800586	CUERPO INF.SILL.RJ.PIROM.ATLANTIS CORPO INFERIORE SELLA HUNTER	LOWER SADDLE BASE
00G00502705	R-SCTO.TAPA LAT.IZ.RJ.PIROM.ATLA COPERCHIO LATERALE SINISTRO	LH SIDE COVER SUB/ASSY
00G00502695	R-SCTO.TAPA LAT.DR.RJ.PIROM.ATLA COPERCHIO LATERALE DESTRO	RIGHT-HAND SIDE COVER
00G01018511	CARCASA ANT.RJ.PIROM.ATL'01 CARENATURA ANTERIORE	FRONT BODY PANEL

Color / Colore / Colour: RED BULLET		
Cod.	Denominación / Denominazione	Name
00G04935081	R-SCTO.ESC.FR.RJ.PIROM.ATLANTIS CARENATURA FRONTALE	FRONT SHIELD
00G00703022	GUARD.DT.NG.VID.ATLANTIS PARAFANGO ANTERIORE	FRONT FENDER
00G06800586	CUERPO INF.SILL.RJ.PIROM.ATLANTIS CORPO INFERIORE SELLA HUNTER	LOWER SADDLE BASE
00G00514701	R-SCTO.TAPA LAT.IZ.RJ.PIROM.ATLA COPERCHIO LATERALE SINISTRO	LH SIDE COVER SUB/ASSY
00G00514691	R-SCTO.TAPA LAT.DR.RJ.PIROM.ATLA COPERCHIO LATERALE DESTRO	RIGHT-HAND SIDE COVER
00G02314491	R-CTO.CARCASA ANT.NG. CARENATURA ANTERIORE	FRONT BODY PANEL

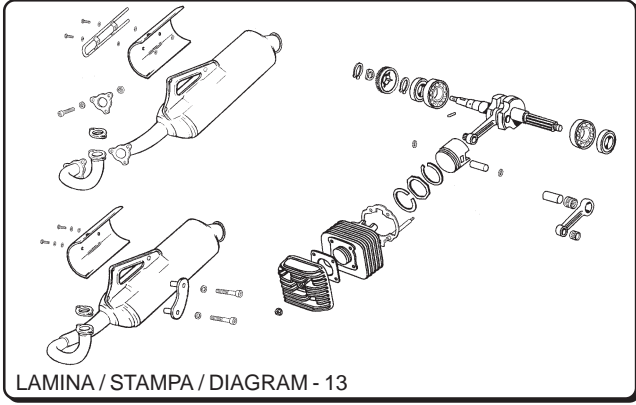




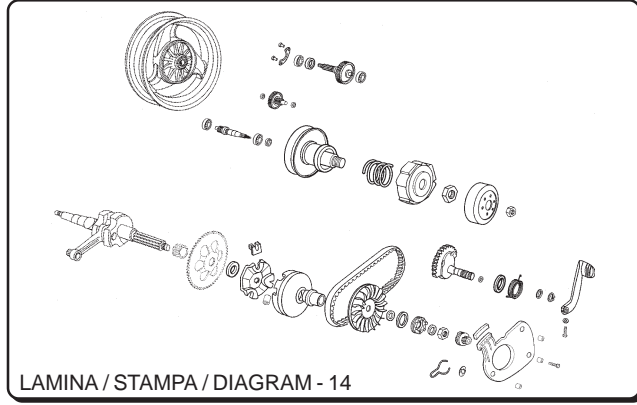
LAMINA / STAMPA / DIAGRAM - 11



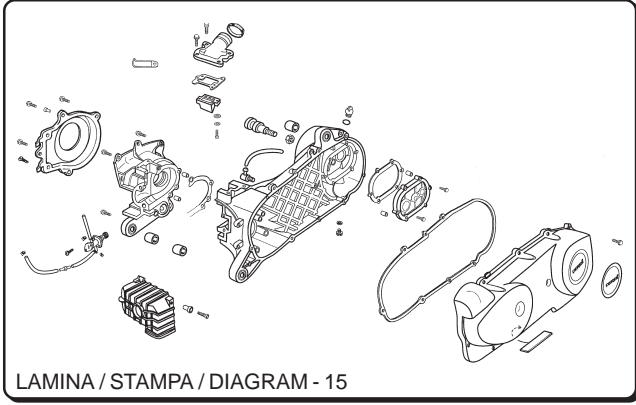
LAMINA / STAMPA / DIAGRAM - 12



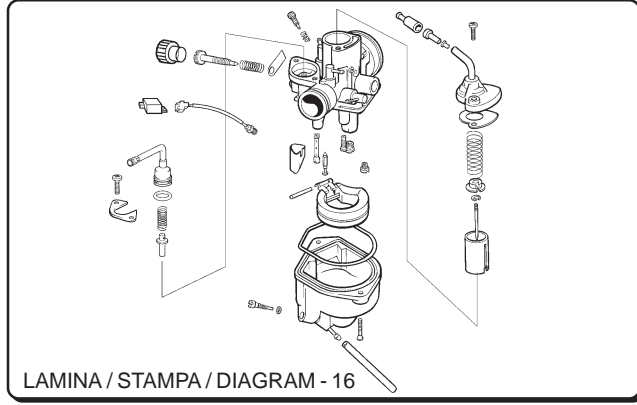
LAMINA / STAMPA / DIAGRAM - 13



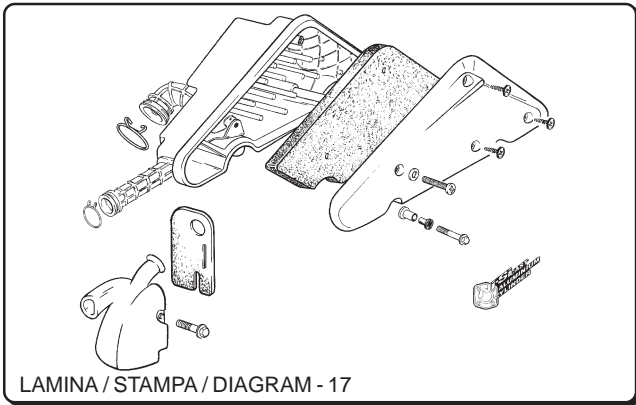
LAMINA / STAMPA / DIAGRAM - 14



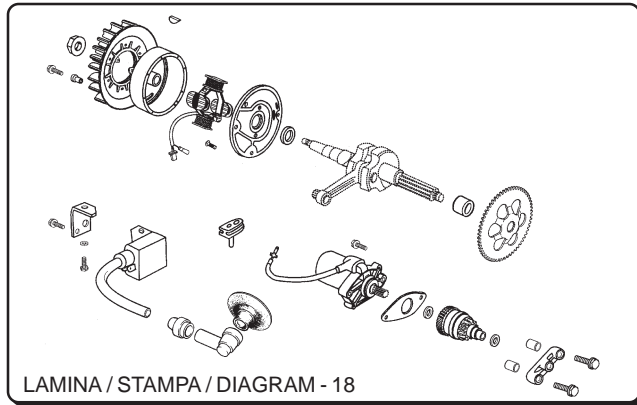
LAMINA / STAMPA / DIAGRAM - 15



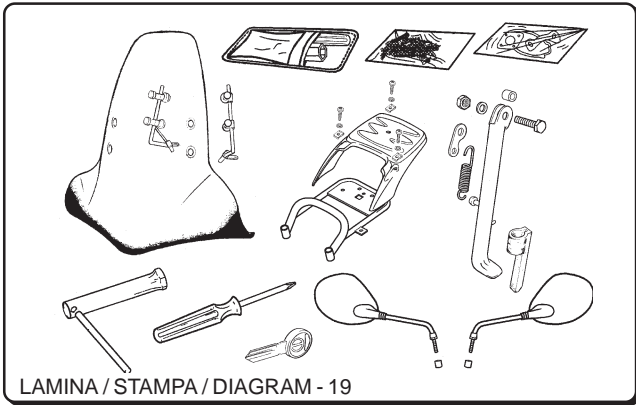
LAMINA / STAMPA / DIAGRAM - 16



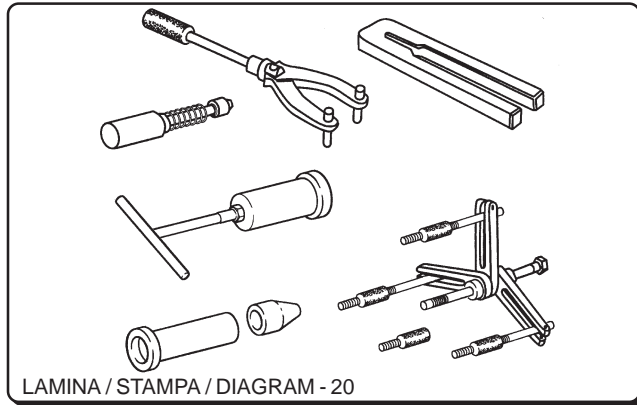
LAMINA / STAMPA / DIAGRAM - 17



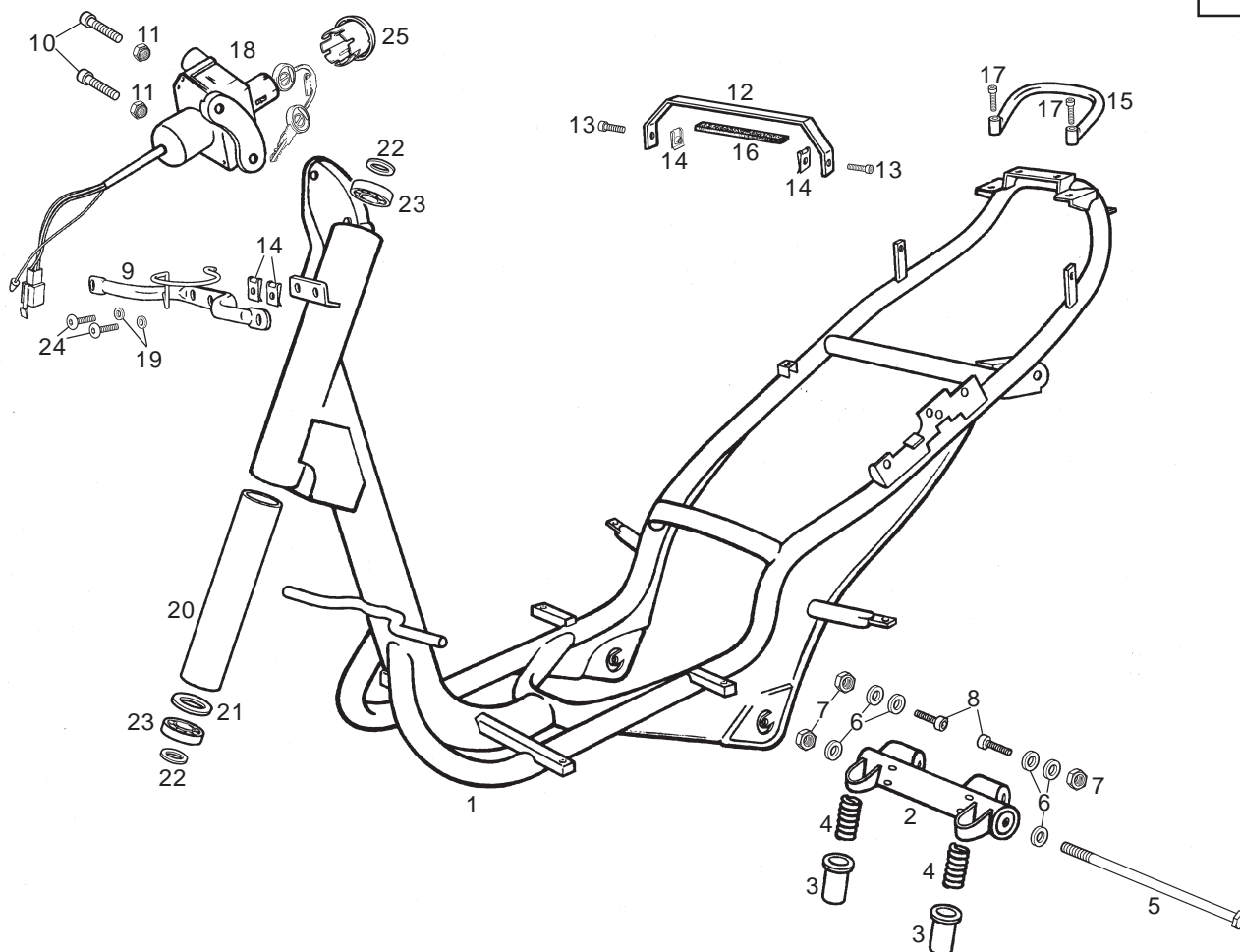
LAMINA / STAMPA / DIAGRAM - 18



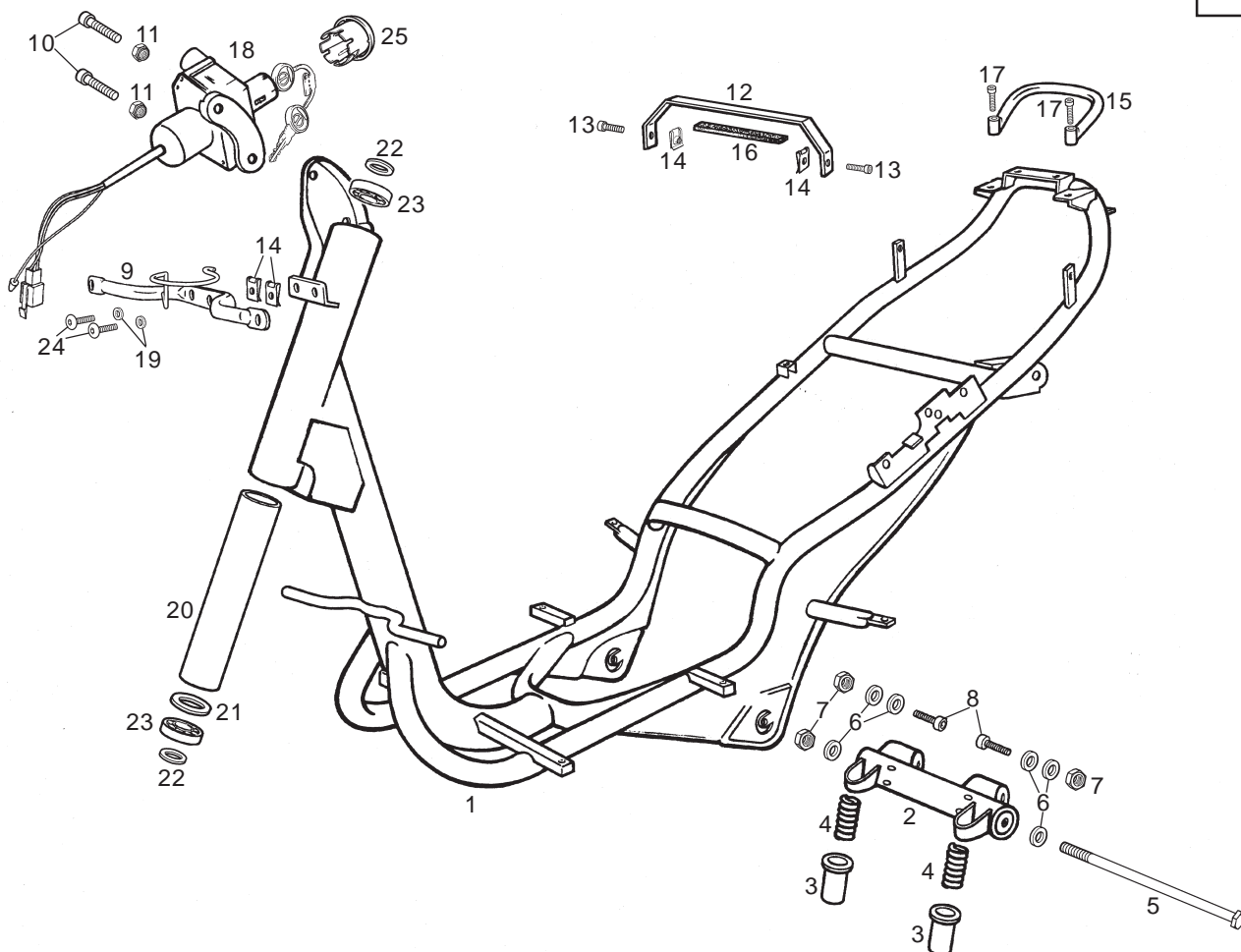
LAMINA / STAMPA / DIAGRAM - 19



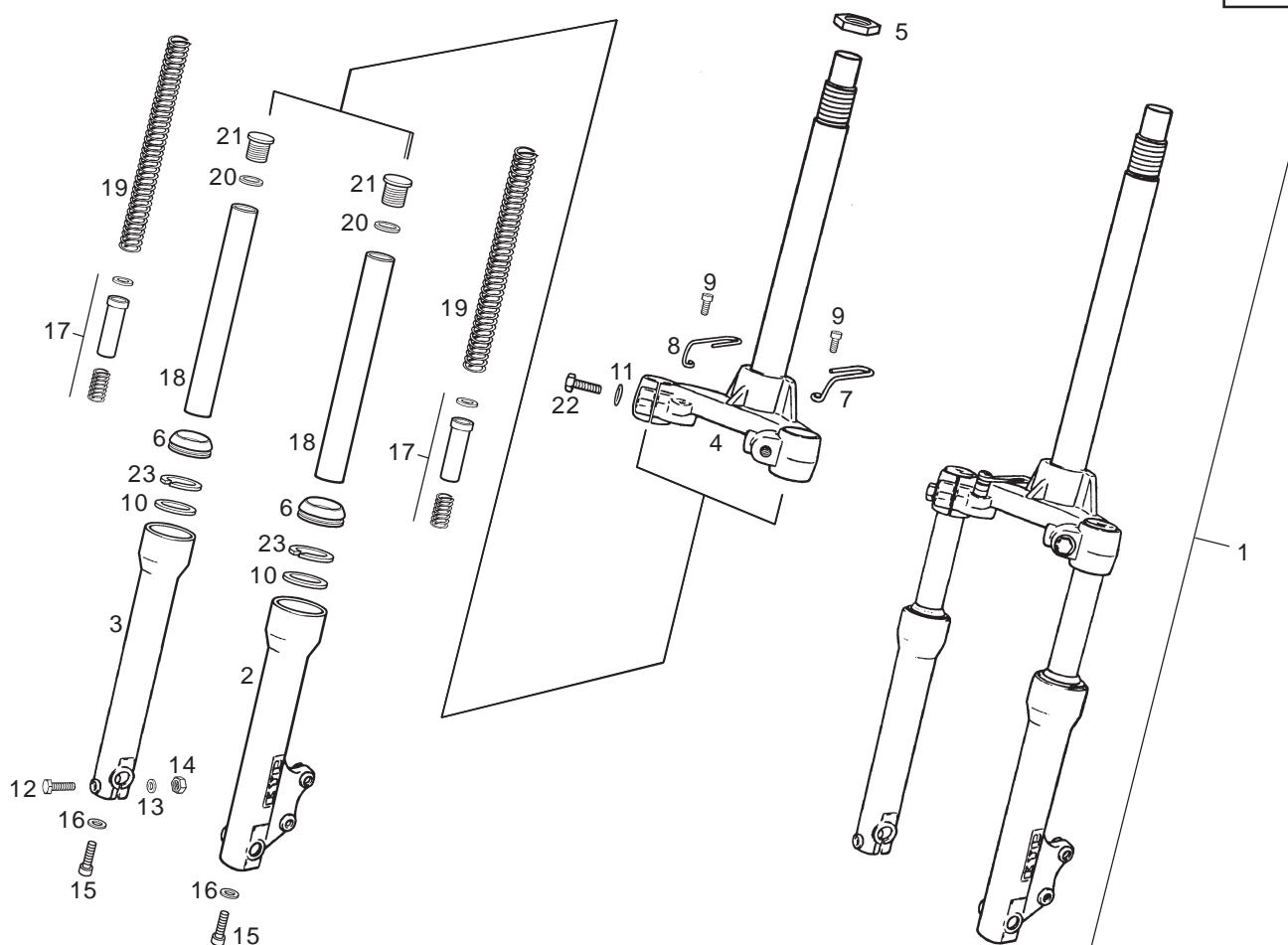
LAMINA / STAMPA / DIAGRAM - 20



Figr.	Vers.	COD.	DESCRIPCIÓN / DENOMINAZIONE	DESIGNATION	MOD.	Nº CHASIS Nº TELAIO FRAME NUM.
01A		00G01923601	R-SCTO.CUADRO C/COJIN.ATLANTIS SUBCOMPL. TELAIO	FRAME SUB-ASSEMBLY	1 2 3 4	
02A		00G04803961	CTO.SOPTE.MOTOR C/SILENT.ATLAN COMPL. SUPPORTO MOTORE CON	ENG BRCKT / RUBBER BUSH ASSY	1 2 3 4	
03A		00G06300571	PROTECT.MUELLE AMORTG.SOPTE.MT PROTEZIONE MOLLA	ENG BRCKT SHCK ABSRBR SPRG PRT	1 2 3 4	
04A		00G01500511	MUELLE AMORTIGD.SOPTE.MOTOR. MOLLA AMMORTIZZATORE SUPPORTO	ENG BRCKT SHCK ABSRBR SPRING	1 2 3 4	
05A		00G03001271	TOR.FIJ.MOTOR.HUNTER VITE FISSAGGIO MOTORE	ENGINE SECURING SCREW	1 2 3 4	
06A		00000031100	ARAND.PLANA D.10.D125 RONDELLA PIATTA D.10	MACHINED FLAT WASHER D.10	1 2 3 4	
07A		00000023100	TCA.AUTOBLOC.10M150 D-985/8 DADO AUTOBLOCCANTE 10.M150	SELF-LOCKING NUT M10	1 2 3 4	
08A		00004114500	TOR.C/ALLEN 10M150X45 D912 8.8 VITE TESTA ALLEN 10M150X45	ALLEN SCREW 10M150X45 D912 8.	1 2 3 4	
09A		00G04802891	SOPTE.ESCUDO FRONTAL ATLANTIS SUPPORTO FISSAGGIO SCUDO FRONT	FRONT SHIELD BRACKET	1 3	
09B		00G04803891	SOPTE.ESCUDO FRONTAL ATLANTIS SUPPORTO FISSAGGIO SCUDO FRONT	FRONT SHIELD BRACKET	2 4	
10A		00000004615	TOR.C/ALLEN.6M100X16.DIN-7984. VITE TESTA ALLEN 6M100X16.	ALLEN SCREW 6M100X16	1 2 3 4	
11A		00000023060	TCA.AUTOBLOC.6M100.DIN-985.8 DADO AUTOBLOCCANTE 6M100	SELF-LOCKING NUT M6	1 2 3 4	
12A		00G01403301	BRIDA FIJ.DEPOSITOS ATLANTIS TRAVE FISSAGGIO	REAR CARRIER SECURING FRAME SU	1 2 3 4	
13A		00000004612	TOR.FIJ.TOPE ARRQ.SDA/FEN.6X10 VITE	SCREW	1 2 3 4	
14A		00D01501371	TCA.FIJ.CUBRECAD.212827 DADO FISSAGGIO	NUT	1 2 3 4	



Figr.	Vers.	COD.	DESCRIPCIÓN / DENOMINAZIONE	DESIGNATION	MOD.	Nº CHASIS Nº TELAIO FRAME NUM.
15A		00G01802441	SCTO.AGARRAD.POST.NG.MATE ATLA IMPUGNATURA	HANDHOLD	1 2 3 4	
16A		00G06200151	TOPE DPSTO.ACEITE ATLANTIS FERMO SERBATOIO OLIO	OIL TANK STOP	1 2 3 4	
17A		00000004830	TOR.C/ALL.8M125X30NG.D-912/8.8 VITE TESTA ALLEN 8M125X30	ALLEN SCREW 8M125X3	1 2 3 4	
18A		00G05900331	R-CTO.CERRAD.CTACTO.ATLANTIS INTERRUPTORE ACCENSIONE	IGNITION SWITCH	1 2 3 4	
19A		00000031060	ARAND.PLANA MECANIZ.D.6.DIN125 RONDELLA PIATTA D6	MACHINED FLAT WASHER D6 DIN-12	1 2 3 4	
20A		00G06302401	TUBO SEP.RDMTO.DIRECC.ATLANTIS TUBO SEPARATORE CUSCINETTO A S	STEERINGBEARING SEPARATOR BUSH	1 2 3 4	
21A		00G06500451	ARAND.COJIN.TUBO DIREC.ATLANTI RONDELLA BRONZINA TUBO STERZO	STEERING TUBE BEARING WASHER G	1 2 3 4	
22A		00008902630	ARAND.TAPON TUBO PNA.COYOTE. RONDELLA TAPPO FORCELLA	WASHER, FORK TUBE CAP	1 2 3 4	
23A		00057000500	COJINETE 6005 25.47.12 2RS CUSCINETTO	BEARING	1 2 3 4	
24A		00000004615	TOR.C/ALLEN.BCR.6M100X15.D-912 VITE TESTA ALLEN BCR 6M100X15	SCREW, ALLEN 6MM1.00X15	1 2 3 4	
25A		00G01500021	R-INDICADOR POSICION LLAVE CERR. FRONTALINO TOPOGRAFATO	DIRECTION INDICATOR	1 2 3 4	



Figr.	Vers.	COD.	DESCRIPCIÓN / DENOMINAZIONE	DESIGNATION	MOD.	Nº CHASIS Nº TELAIO FRAME NUM.
01A		00G00208001	CTO.HORQ.DIRECTRIZ ATLANTIS COMPL. FORCELLA DIRECTRICE	FRONT FORK ASSY	1 2 3 4	
02A		00G00202121	PIERNA IZ.HORQUILLA ATLANTIS GAMBA SINISTRA FORCELLA	RIGHT LOWER FORK TUBE	1 2 3 4	
03A		00G00202131	PIERNA DR.HORQUILLA ATLANTIS GAMBA DESTRA FORCELLA	LEFT LOWER FORK TUBE	1 2 3 4	
04A		00G00205011	R-SCTO.TIJA PLAT.ATLANTIS SUBCOMPL. CANNELLO FLANGIA	LOWER TRIPLE CLAMP, W/PIN ASS	1 2 3 4	
05A		00G00200111	TCA.FIJ.TIJA. DADO FISSAGGIO FUSTO	CAP NUT, FORK STEM	1 2 3 4	
06A		00G00203231	GUARDAPOLVO HORQUILLA ATLANTIS PARAPOLVERE FORCELLA	FORK DUST GUARD	1 2 3 4	
07A		00G00900521	MUELLE GUIA TUBO LIQ.FR.DT.ATL MOLLA GUIDA	CABLE SLEEVE GUID.	1 2 3 4	
07A	01					175797
08A		00G01502381	MUELLE GUIA CABLE CT.KMS.ATLAN MOLLA GUIDA CAVO CONTACHILOME.	SPEEDOMETER CABLE SLEEVE GUID.	1 2 3 4	
08A	01					175797
09A		00000004610	TOR.C/ALLEN.6M100X10.DIN- VITE TESTA ALLEN 6M100X10	ALLEN SCREW M6X10	1 2 3 4	
09A	01					175797
10A		00002113500	TOR.C/EXAG.10M125X35.D-558 VITE 10M125X35	HEXAG.HEAD SCREW 10M125X35	1 2 3 4	
11A		00000031100	ARAND.PLANA D.10.D125 RONDELLA PIATTA D.10	MACHINED FLAT WASHER D.10	1 2 3 4	
12A		00000002850	TOR.C/EXAG. 8M125X50.DIN-931. VITE T/ESAG. 8M125X50.DIN-931	HEX.HEAD SCREW 8M125X50 D931	1 2 3 4	

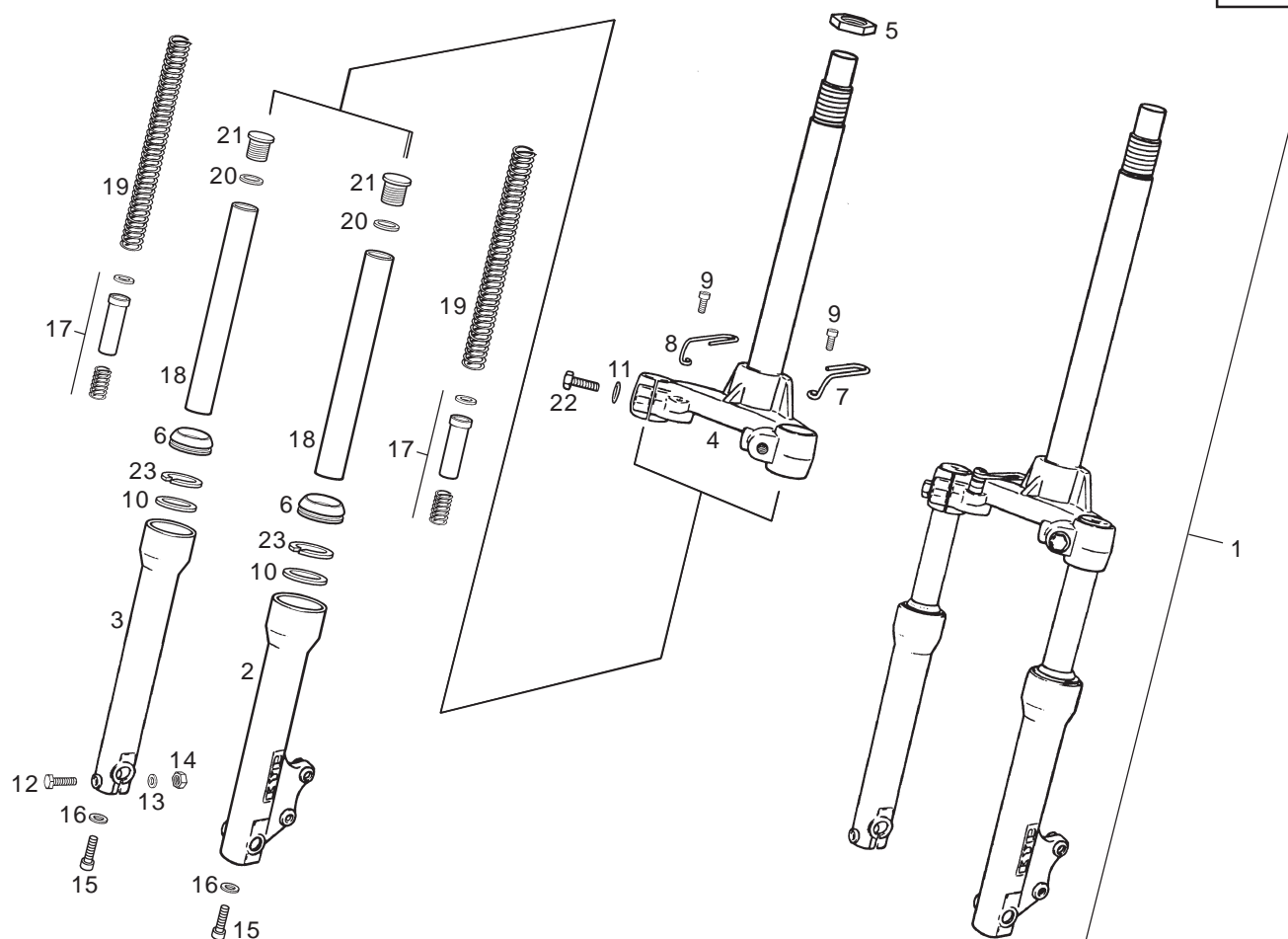
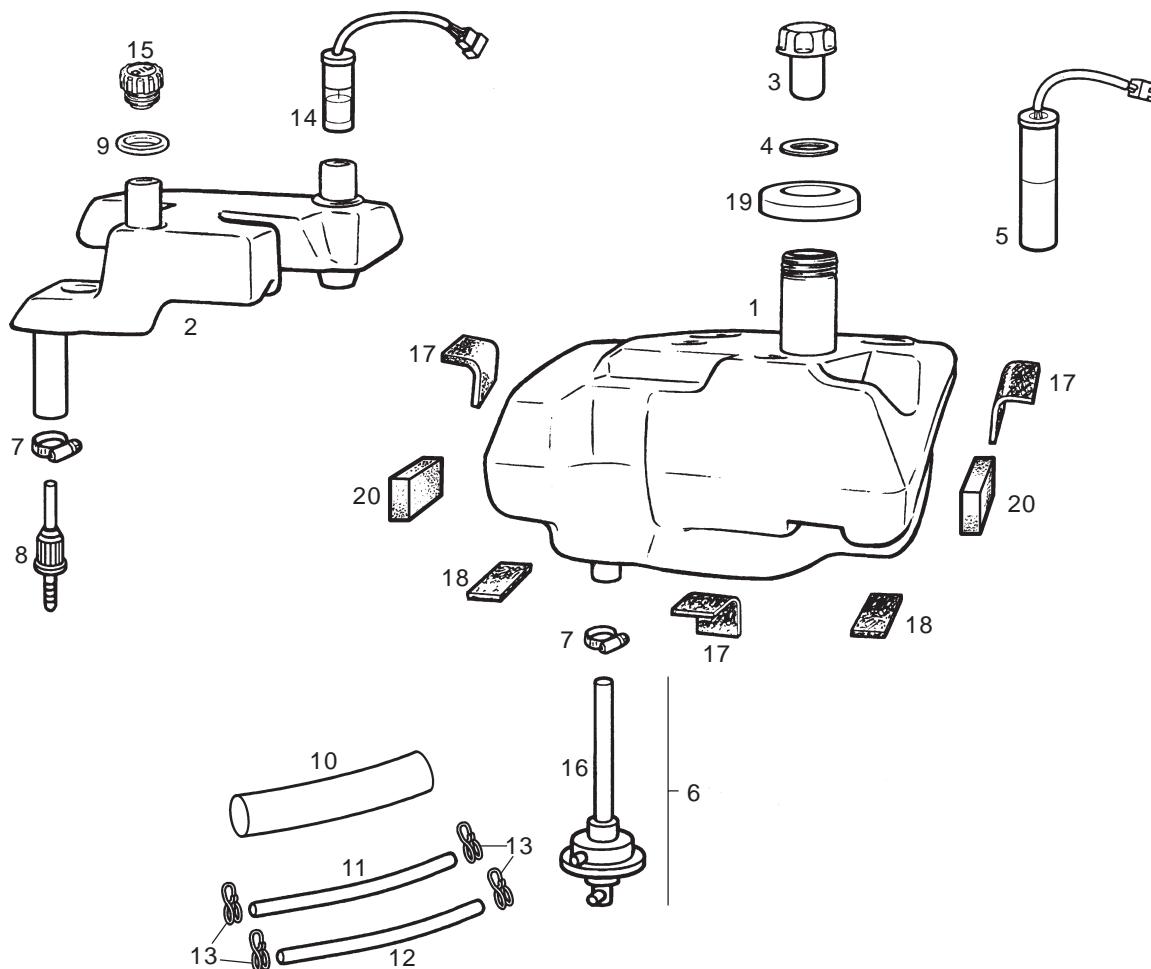


Fig.	Vers.	COD.	DESCRIPCIÓN / DENOMINAZIONE	DESIGNATION	MOD.	Nº CHASIS Nº TELAIO FRAME NUM.
13A		00000031080	ARAND.PLANA MECANIZ.D.8.DIN125 RONDELLA PIATTA D8	MACHINED FLAT WASHER D8 DIN-12	1 2 3 4	
14A		00000023080	TCA.AUTOBLOC. 8M125. DIN-982. DADO AUTOBLOCCANTE 8M125	SELF-LOCKING NUT M8	1 2 3 4	
15A		00002112500	TOR.C/EXAG.10M100X25.D-931 VITE 10M100X25	HEXAG.HEAD SCREW 10M100X25	1 2 3 4	
16A		00G00201281	R-ARAND. INT. PNA. HORQ. ATLANTIS RONDELLA DE GAMBA	WASHER	1 2 3 4	
17A		00G00201531	R-CTO. TUBO HIDRAUL. ATLANTIS R-COMPL. TUBO IDRAULICO	DAMPER TUBE ASSY	1 2 3 4	
18A		00G00201191	TUBO PRINCIPAL HORQ. ATLANTIS TUBO PRINCIPALE	FORK TUBE, UPPER	1 2 3 4	
19A		00G00204171	R-MUELLE HORQUILLA ATLANTIS MOLLA FORCELLA	FORK SPRING	1 2 3 4	
20A		00G00202441	R-ANILLO FIJ. BARRA HORQ. ATLANTIS SCODELLINO FISSAGGIO ASSE	RACE	1 2 3 4	
21A		00G02001541	T-TAPON EXT. PNA. HORQ. ATLANTIS R-TAPPO ESTER. GAMBA FORCELLA	EXTERIOR FORK TUBE CAP	1 2 3 4	
22A		00G00200701	R- ANILLO RETENC. ACEITE ATLANTIS ANELLO	RING	1 2 3 4	
23A		00G00202471	R-RETEN PNA. HORQ. ATLANTIS R-GIUNTO TENUTA GAMBA DESTRA	LOWER FORK TUBE SEAL	1 2 3 4	



Figr.	Vers.	COD.	DESCRIPCIÓN / DENOMINAZIONE	DESIGNATION	MOD.	Nº CHASIS Nº TELAIO FRAME NUM.
01A		00G00410011	DEPOSITO GASOLINA ATLANTIS SERBATOIO BENZINA	FUEL TANK	1	
01B		00G00413011	DEPOSITO GASOLINA ATLANTIS SERBATOIO BENZINA	FUEL TANK	2 3 4	
02A		00G03702081	DEPOSITO ACEITE ATLANTIS SERBATOIO OLIO HUNTER	OIL RESERVOIR HUNTER	1 2 3 4	
03A		00F00400131	CTO.TAPON DEPTO.GASOLINA V.BOX TAPPO SERBATOIO BENZINA	FUEL TANK CAP ASSY	1 2 3 4	
04A		00F00400771	R-ARAND.TAPON DEPOSITO RONDELLA TAPPO SERBATOIO	FUEL TANK CAP WASHER	1 2 3 4	
05A		00G04304181	CTO.FLOTADOR GASOLINA ATLANTIS COMPL. GALLEGGIANTE BENZINA	FUEL LEVEL FLOAT ASSY	1	
05B		00G04305181	CTO.FLOTADOR GASOLINA ATLANTIS COMPL. GALLEGGIANTE BENZINA	FUEL LEVEL FLOAT ASSY	2 3 4	
06A		00G00400181	CTO.GRIFO GASOLINA. RUBINETTO BENZINA	FUEL COCK ASSY	1 2 3 4	
07A		00G0400501	ABRAZ.FIJ.GRIFO.16-25. FASCETTA FISSAGGIO RUBINETTO	FUEL COCK SECURING CLAMP	1 2 3 4	
08A		00G03700411	CTO.FILTRO ACEITE. FILTRO OLIO	OIL FILTER ASSY	1 2 3 4	
09A		00G06800641	ARAND.BOCA DPSTO.ACEITE ATLAN. FERMO SERBATOIO OLIO	OIL TANK STOP END.	1 2 3 4	
10A		00G03700351	MANGUITO UNION TUB.ACTE.ATLANT MANICOTTO UNIONE TUBO OLIO 74/	OIL PIPE COUPLING CONNECTOR	1 2 3 4	
11A		00F03740111	TUBO SAL.DEPTO.ACTE.SCO/91.EXP TUBO USCITA SERBATOIO OLIO	OIL RESERVOIR OUTLET PIPE	1 2 3 4	
12A		00G06202061	TUBO DEPRESION GASOL.HUNTER TUBO DEPRESSIONE BENZINA	FUEL COCK VACUUM TUBE	1 2 3 4	
13A		00H00400501	ABRAZ.ELAST.TUBO GAS. FASCETTA ELASTICA TUBO BENZINA	FUEL PIPE ELASTIC CLAMP	1 2 3 4	

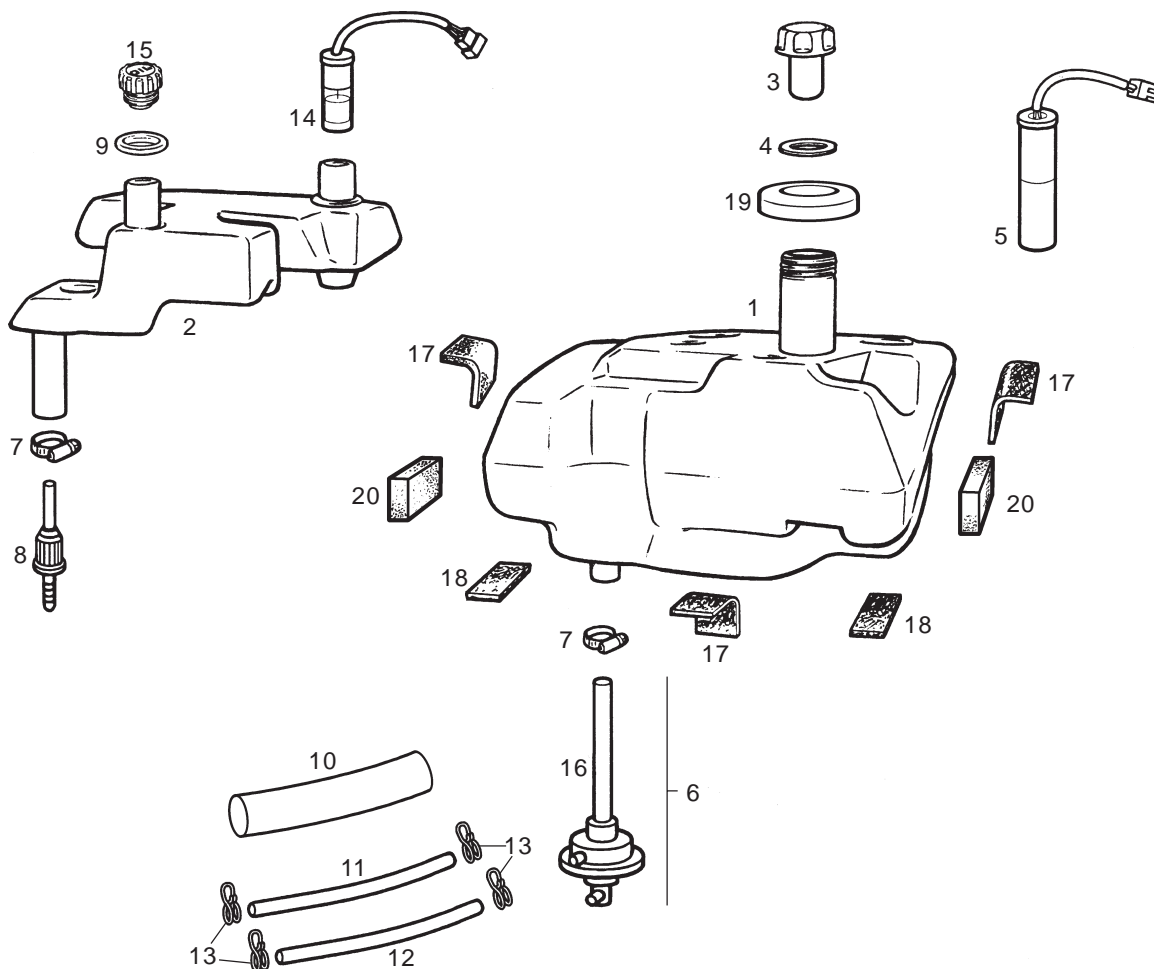
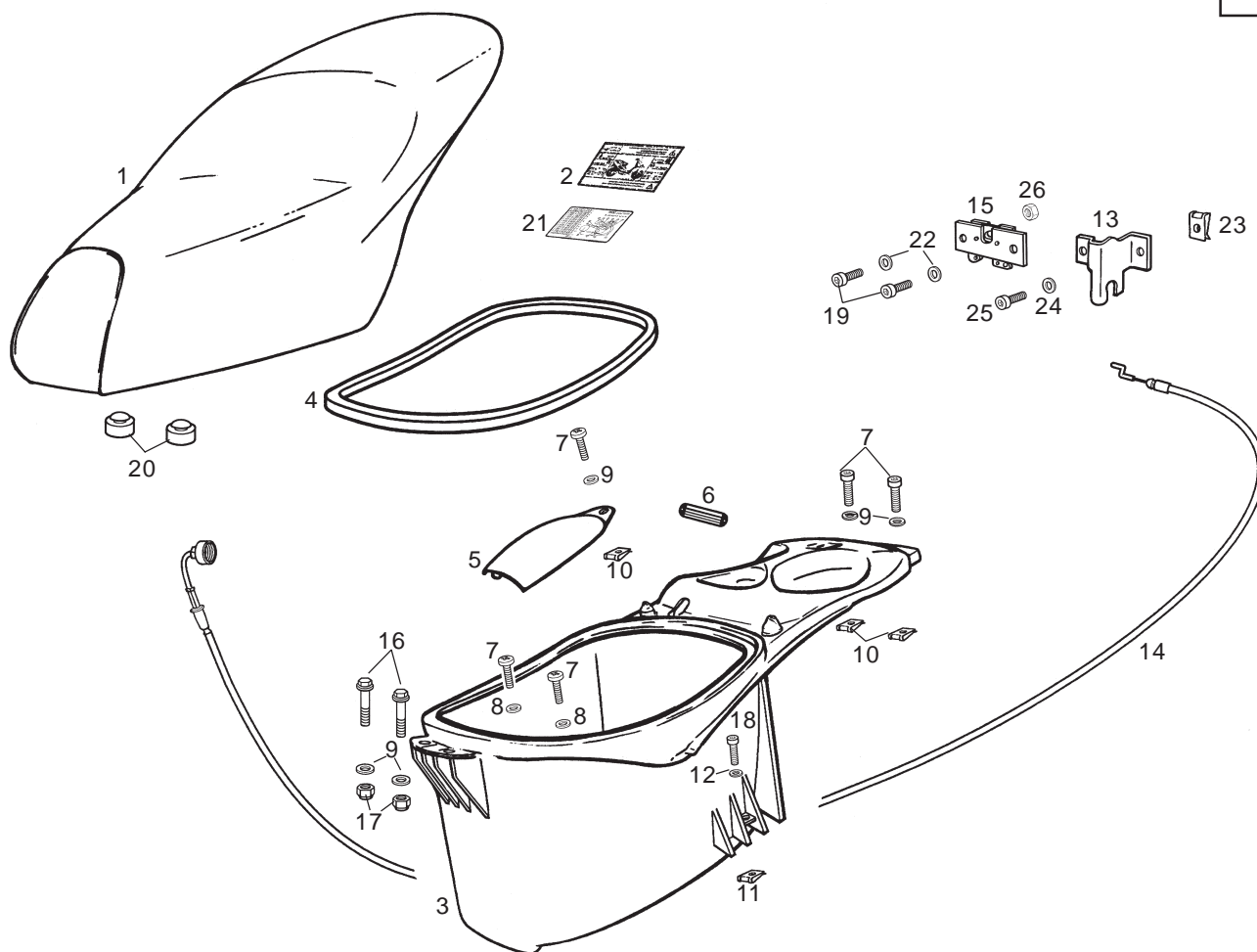


Fig.	Vers.	COD.	DESCRIPCIÓN / DENOMINAZIONE	DESIGNATION	MOD.	Nº CHASIS Nº TELAIO FRAME NUM.
14A		00G03703051	CTO.INDICAD.NIVEL ACEITE ATLAN COMPL. INDICATORE LIVELLO	OIL LEVEL INDICATOR ASSY	1 2 3 4	
15A		00F03710241	CTO.TAPON DEPTO.ACTE.SCO/90. TAPPO SERBATOIO OLIO	OIL RESERVOIR FILLER PLUG ASSY	1 2 3 4	
16A		00H00400371	TUBO DEPSTO.GAS.A GRIFO.GPR- TUBO SERBATOIO BENZINA	FUEL TANK/FUEL COCK TUBE	1 2 3 4	
17A		00G06200081	75TOPE INF.DEPOSITO HUNTER FERMO INFERIORE SERBATOIO	LOWER TANK STOP	1 2 3 4	
18A		00G00401581	TOPE INF.DT.IZ.DPSTO.HUNTER FERMO INFERIORE ANTERIORE SX.	LEFT AND RIGHT LOWER TANK STOP	1 2 3 4	
19A		00G06200051	JUNTA BOCA DEP. GASOLINA GUARNIZIONE	GASKET	1 2 3 4	
20A		00G06301771	TOPE LATERAL DEPOSITO FERMO LATERALE SERBATOIO	FUEL TANK SIDE STOP	1 2 3 4	



Figr.	Vers.	COD.	DESCRIPCIÓN / DENOMINAZIONE	DESIGNATION	MOD.	Nº CHASIS Nº TELAIO FRAME NUM.
01A		00G00623011	CTO.SILLIN ATLANTIS COMPL. SELLA	SADDLE ASSY	1 3	
01B		00G00623013	CTO.SILLIN ATLANTIS RED BULLET COMPL. SELLA	SADDLE ASSY	2 4	
02A		00G04626141	CALCA PRES.NEUM.ATLANTIS ADESIVO PRESSIONE PNEUMATICI	TYRE PRESSURE PLACARD TRANSFER	1 2	
02B		00G04630141	CALCA PRES.NEUM.ATLANTIS ADESIVO PRESSIONE PNEUMATICI	TYRE PRESSURE PLACARD TRANSFER	3 4	
03A		00G06306721	CTO.PORTACASCO C/PERFIL.ATLANT PORTA-ELMO	TRUNK	1 2 3 4	
04A		00G06301551	PERFIL PORTACASCO.HUNTER VANO CASCO	HELMET BOX RUBBER SEAL PROTECT	1 2 3 4	
05A		00G01800221	TAPA ACCESO CARBURAD.GR.PART. COPERCHIO REGISTRO CARBURATORE	CARBURETTOR ACCESS COVER	1 2 3 4	
06A		00G01848101	PLACA CHARACTER.ATLANTIS ESPAÑA ADESIVO	DECAL	1 2	
06B		00G01864101	PLACA CHARACTER.ATLANTIS WVTA ADESIVO	DECAL	3 4	
07A		00012161600	TOR.C/CRUZ.NG.6M100X16.D7985-Z VITE TESTA CROCE NERA	PHILIPS SCREW	1 2 3 4	
08A		00H00500212	ARAND.FIJ.PORTACAS.(NGR)HUNTER RONDELLA FISSAGGIO	HELMET CARRIER SECURING WASHER	1 2 3 4	
09A		00000031060	ARAND.PLANA MECANIZ.D.6.DIN125 RONDELLA PIATTA D6	MACHINED FLAT WASHER D6 DIN-12	1 2 3 4	
10A		00D01501371	TCA.FIJ.CUBRECAD.212827 DADO FISSAGGIO	NUT	1 2 3 4	
11A		00G04401461	TCA.FIJ.ESCUDO FRONTAL D.5 DADO FISSAGGIO SCUDO FRONTALE	FRONT SHIELD NUT	1 2 3 4	
12A		00D02600631	ARAND.TOPE MUELLE EMBRG.4-6V. RONDELLA FERMO MOLLA FRIZIONE	CLUTCH SPRING STOP WASHER	1 2 3 4	

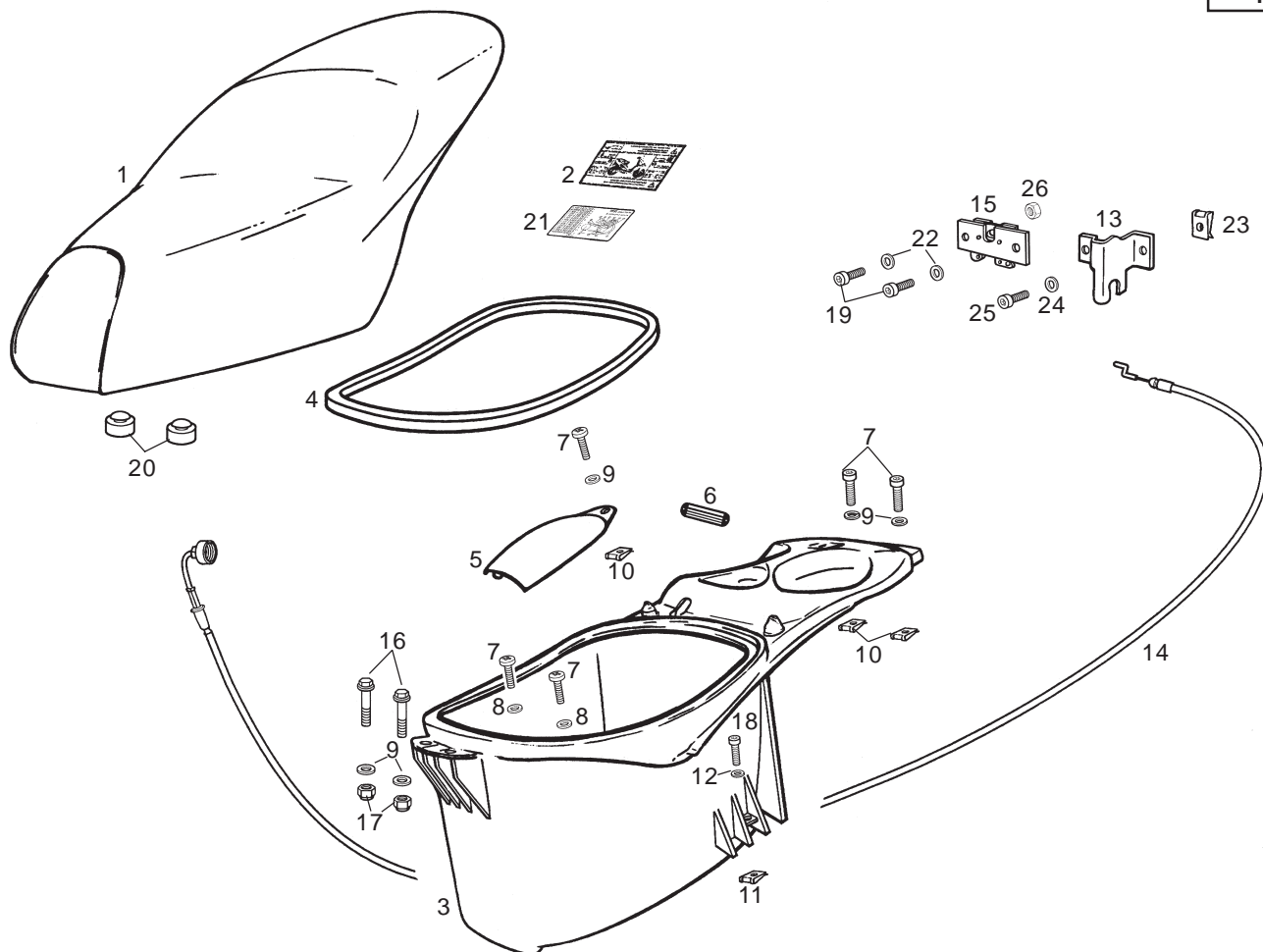
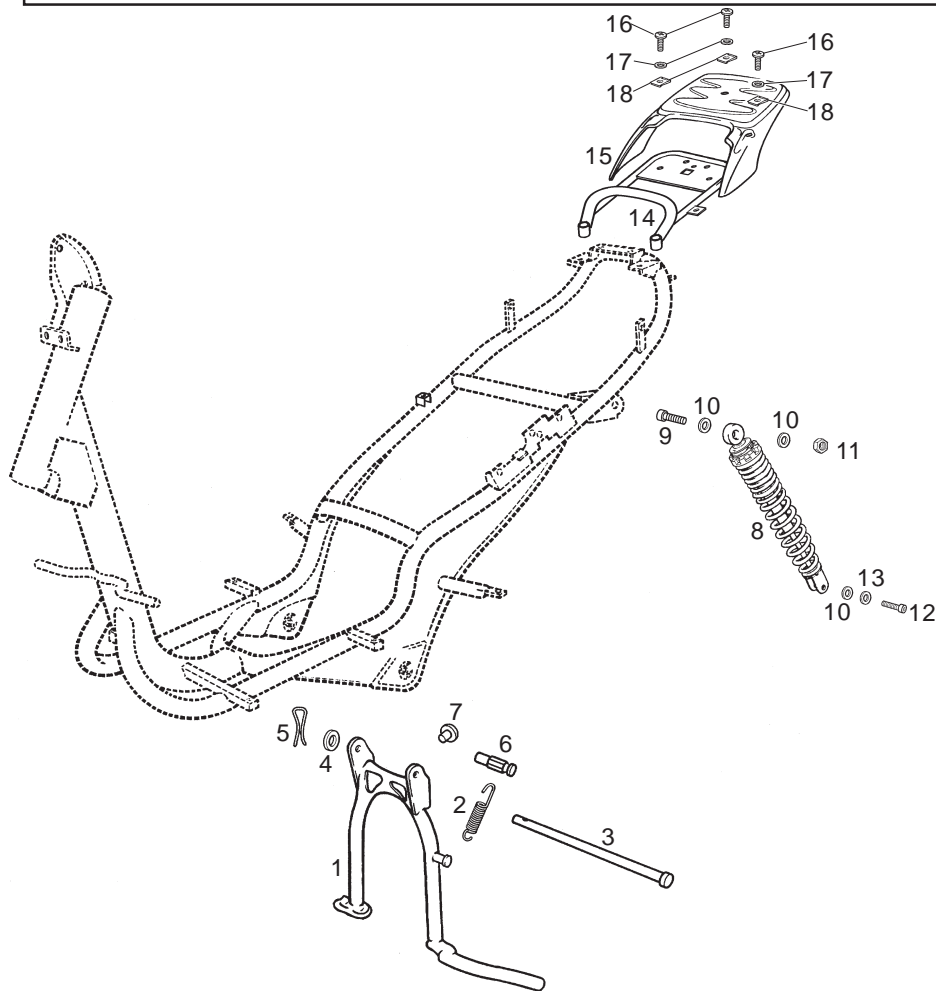
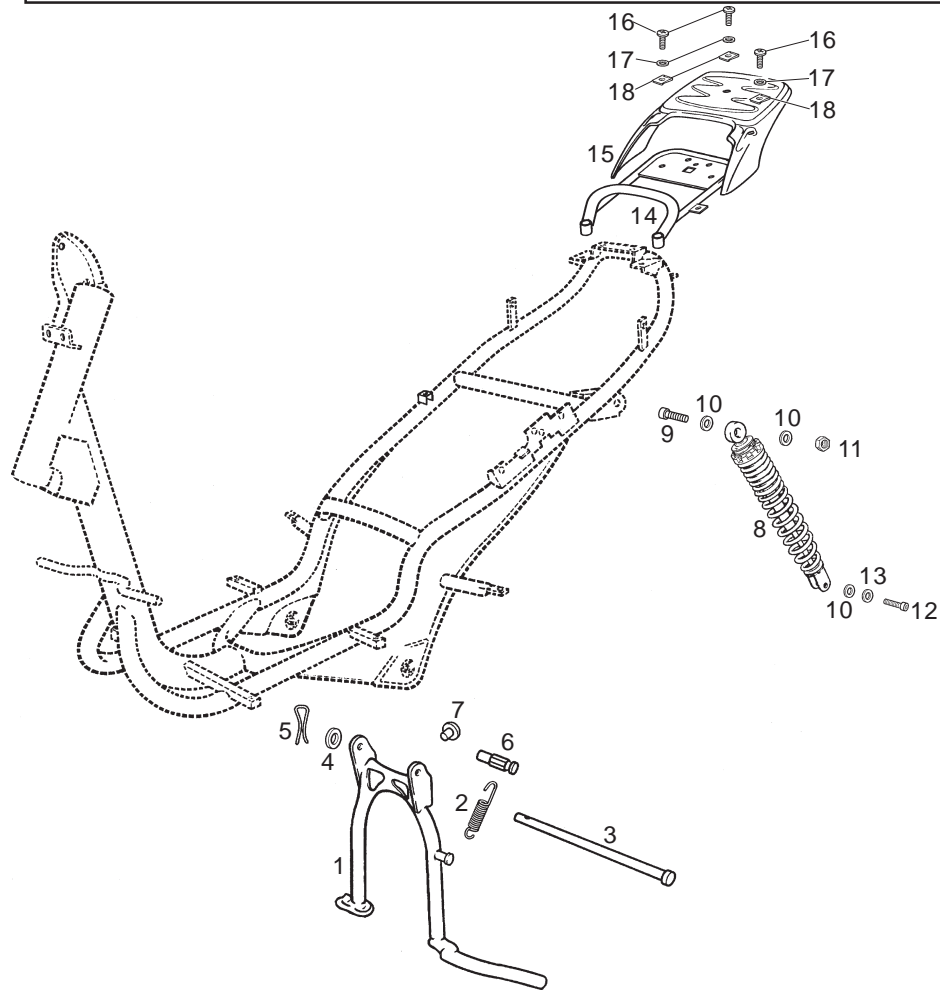


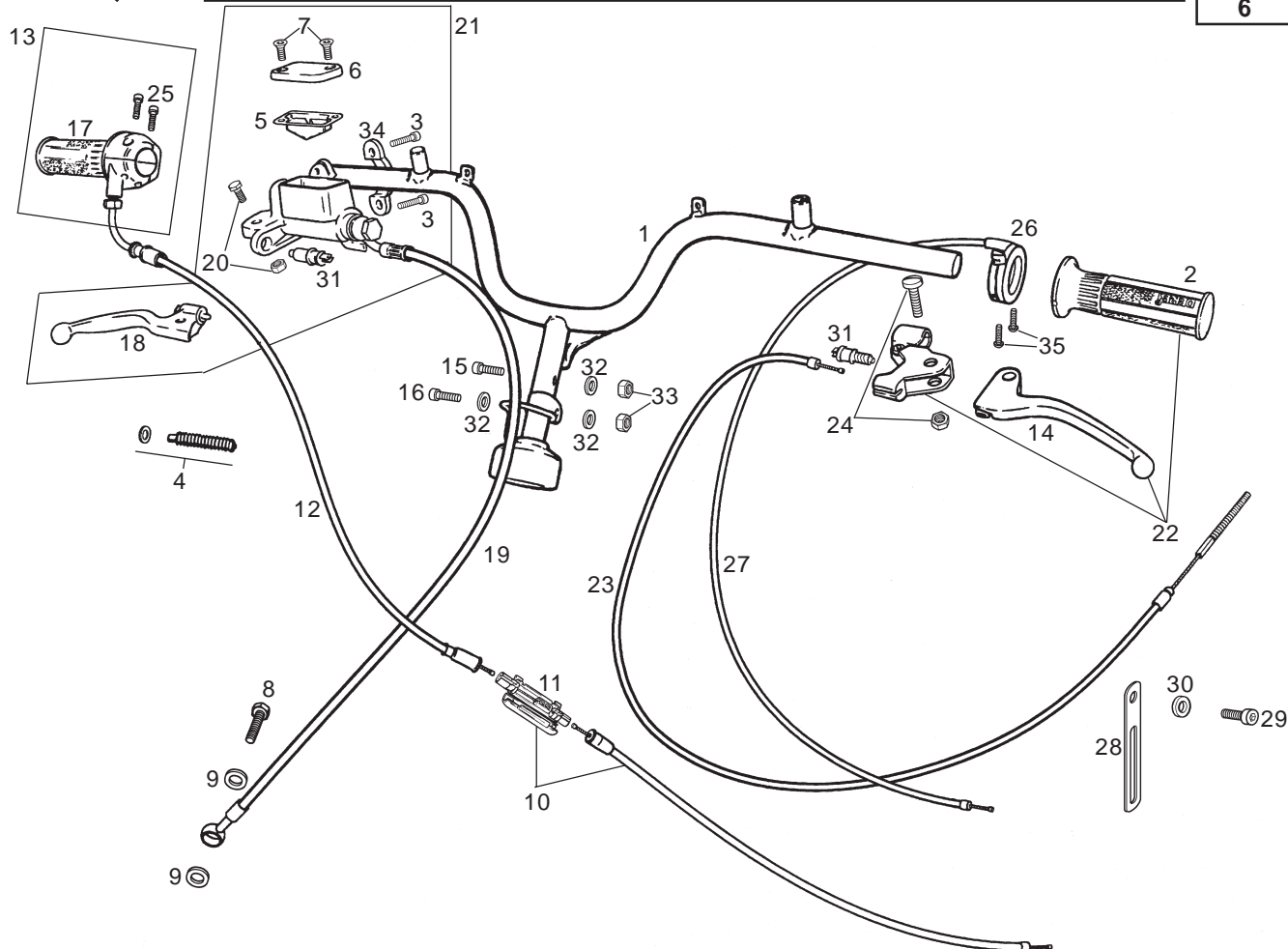
Fig.	Vers.	COD.	DESCRIPCIÓN / DENOMINAZIONE	DESIGNATION	MOD.	Nº CHASIS Nº TELAIO FRAME NUM.
13A		00G06801051	TOPE POST.CABLE CIERRE SILL.HT FERMO POSTERIORE CAVO CHIUSURA	REAR SADDLE LOCKING CABLE LUG	1 2 3 4	
14A		00G00602181	SCTO.CABLE CIERRE SILLIN ATLAN SUBCOMPL. CAVO CHIUSURA SEL	SADDLE LOCKING CABLE ASSY	1 2 3 4	
15A		00G06800501	SCTO.PLACA CIERRE SILLIN PADD. PIASTRA SERRATURA SELLA	PLATE, SADDLE LOCK FITTING	1 2 3 4	
16A		00G03600991	TOR.FIJ.TURBINA HUNTER(6X16) VITE FISSAGGIO VENTOLA (6X16)	BLOWER SECURING SCREW	1 2 3 4	
17A		00000023060	TCA.AUTOBLOC. 6M100.DIN-985.8 DADO AUTOBLOCCANTE 6M100	SELF-LOCKING NUT M6	1 2 3 4	
18A		00000004515	TOR.C/ALLEN 5M80X15 D912/8.8NG VITE TESTA ALLEN 5M80X15.	ALLEN SCREW M5X15	1 2 3 4	
19A		00002052051	TOR.C/ALL.5M80X20 VITE TESTA ALLEN 5M80X20	ALLEN SCREW M5X20	1 2 3 4	
20A		00G01503951	APOYO SILLIN ATLANTIS APPOGGIO SELLA	SADDLE REST	1 2 3 4	
21A		00G06318731	CALCA ADESIVO	DECAL	3 4	
22A		00402060001	ARAND.PLANA. D.6 RONDELLA PIATTA D6	MACHINED FLAT WASHER D6	1 2 3 4	
23A		00H01500691	TCA.FIJ.CARENADO A SOPTE.D.5 DADO FISSAGGIO CARENATURA	FAIRING SECURING NUT	1 2 3 4	
24A		00H03800722	ARANDELA RONDELLA	WASHER	1 2 3 4	
25A		00002051551	TOR. 5X15 VITE 5X15	SCREW 5X15	1 2 3 4	
26A		00000023051	TUERCA DADO	NUT	1 2 3 4	



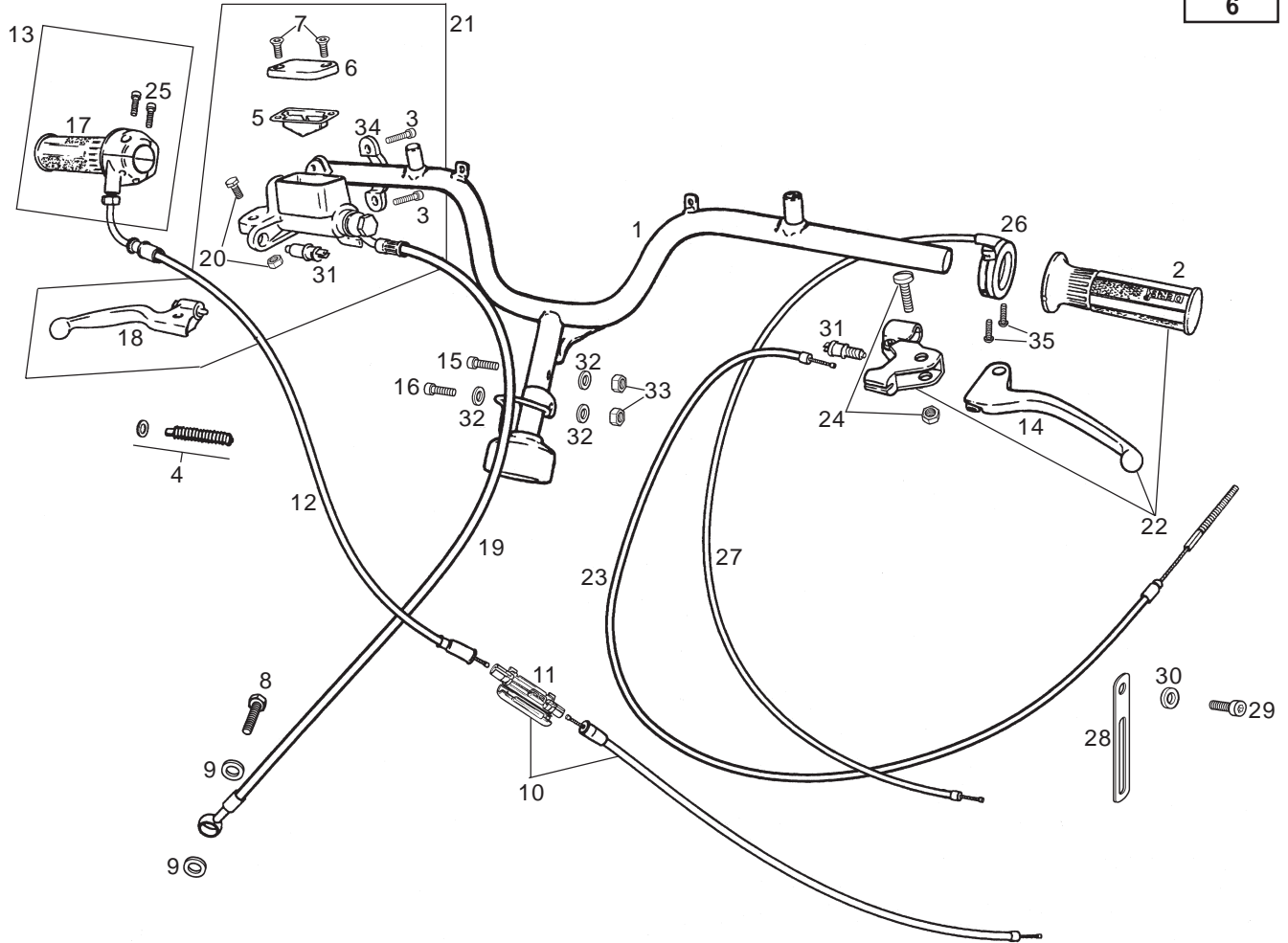
Figr.	Vers.	COD.	DESCRIPCIÓN / DENOMINAZIONE	DESIGNATION	MOD.	Nº CHASIS Nº TELAIO FRAME NUM.
01A		00G00802221	SCTO.CABALLETE NEGRO ATLANTIS SUBCOMPL. CAVALLETTO NERO H	CENTRE STAND SUB-ASSY (BLACK)	1 2 3 4	
02A		00G00800081	MUELLE CABALLETE. MOLLA CAVALLETTO	CENTRE STAND SPRING	1 2 3 4	
03A		00G00800071	EJE CABALLETE. PERNO CAVALLETTO	CENTRE STAND SHAFT	1 2 3 4	
04A		00D02500271	ARAND.FIJ.MOTOR.(125)D8,4X0,8. RONDELLA FISSAGGIO .MOTORE	ENGINE SECURING WASHER	1 2 3 4	
05A		00000051205	PASADOR ABIERTO.2X18.DIN-94. CHIAVISTELLO APERTO 2X18	SPLIT PIN	1 2 3 4	
06A		00G00800051	TOR.FIJ.MUELLE CABALLETE. VITE MOLLA CAVALLETTO	CENTRE STAND SPRING SECUR SRIN	1 2 3 4	
07A		00003108060	TOPE CABALLETE. FERMO CAVALLETTO	CENTRE STAND STOP	1 2 3 4	
08A		00G01504191	CTO.AMORTIGUADOR ATLANTIS COMPL. AMMORTIZZATORE	SHOCK ABSORBER ASSY	1 2 3 4	
09A		00G01800901	TOR.FIJ.SUP.AMORTIGD. VITE FISSAGGIO SUPERIORE AMORT	SHOCK ABSORBER BRACKET SECURIN	1 2 3 4	
10A		00000031100	ARAND.PLANA D.10.D125 RONDELLA PIATTA D.10	MACHINED FLAT WASHER D.10	1 2 3 4	
11A		00000023100	TCA.AUTOBLOC.10M150 D-985/8 DADO AUTOBLOCCANTE 10.M150	SELF-LOCKING NUT M10	1 2 3 4	
12A		00004213500	TOR.C/ALLEN.10M125X35.D912/8.8 VITE TESTA ALLEN 10M125X35 DIN	ALLEN SCREW	1 2 3 4	
13A		00000033100	ARAND.MUELLE. D.10.DIN-127-B. RONDELLA MOLLA D.10 DIN-127-B	SPRING WASHER D.10 DIN-127-B	1 2 3 4	
14A		00G01409191	R-SCTO. PORTAPAQUETES PORTAPACCHI	REAR CARRIER ASSY	2 4	
15A		00G01401247	TAPA PORTAPAQUETES R.J. PIRO. ATL. COPERCHIO PORTAPACCHI	UPPER LUGGAGE RACK COVER	2 4	



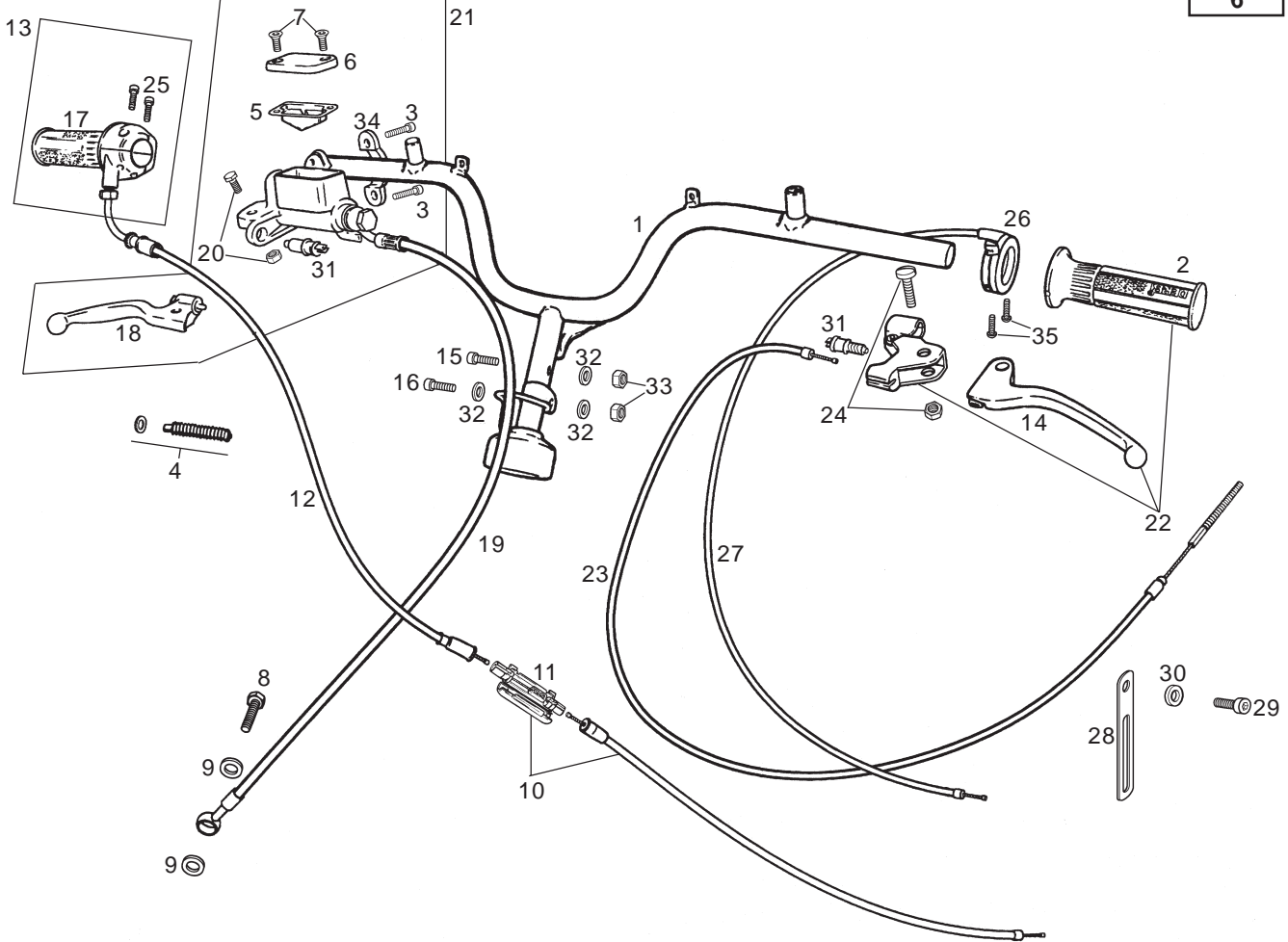
Figr.	Vers.	COD.	DESCRIPCIÓN / DENOMINAZIONE	DESIGNATION	MOD.	Nº CHASIS Nº TELAIO FRAME NUM.
16A		00012151500	TOR.C/RED.CRUIZ.5M8OX16.D7985NG VITE TESTA TONDA CROCE 5M8OX16	ROUND HD CROSSHD SCREW	2 4	
17A		00000031050	ARAND.PLANA MEC.D.5.DIN125-B RONDELLA PIATTA D5	MACHINED FLAT WASHER D5	2 4	
18A		00H01500691	TCA.FIJ.CARENADO A SOPTE.D.5 DADO FISSAGGIO CARENATURA	FAIRING SECURING NUT	2 4	



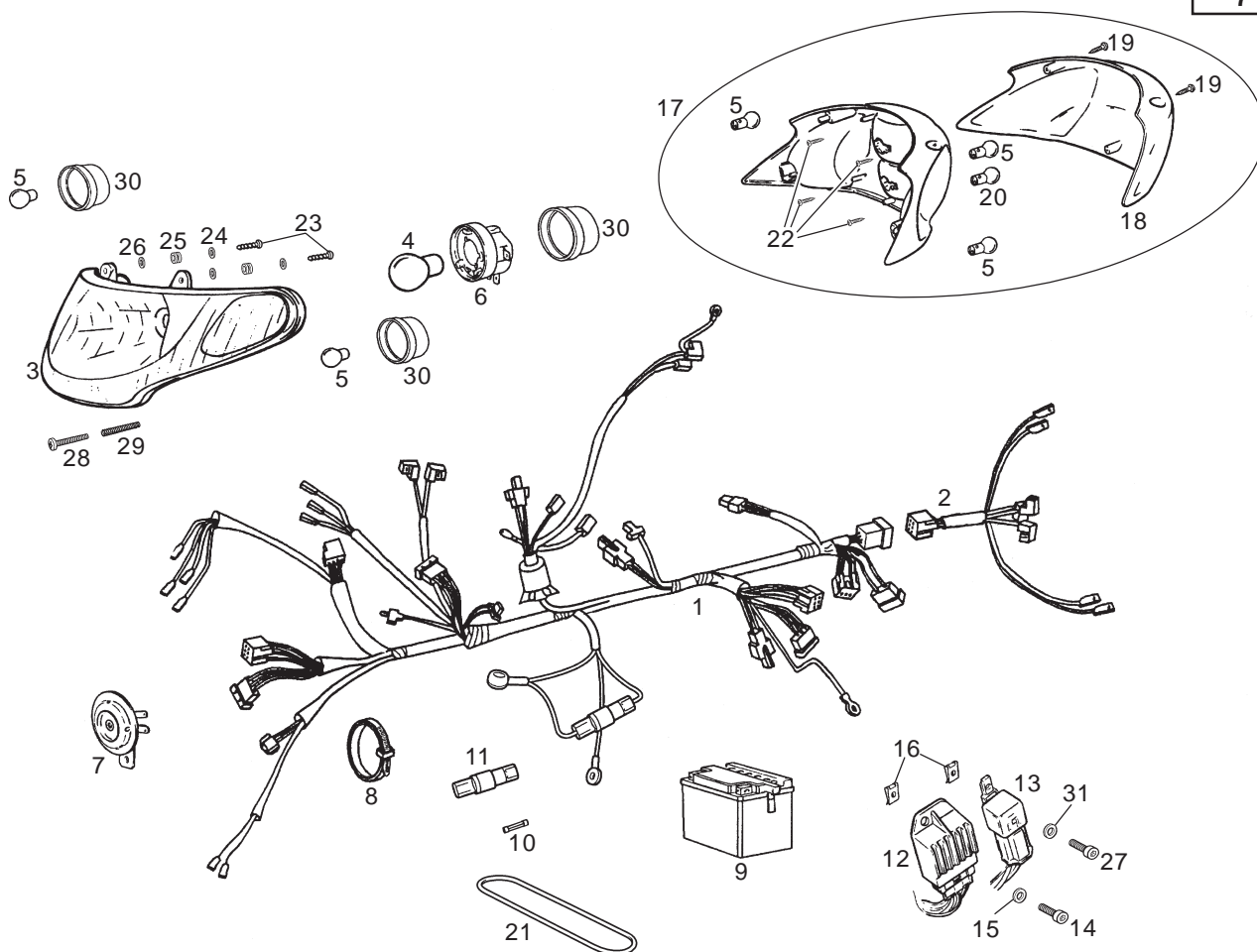
Figr.	Vers.	COD.	DESCRIPCIÓN / DENOMINAZIONE	DESIGNATION	MOD.	Nº CHASIS Nº TELAIO FRAME NUM.
01A		00G00903011	SCTO.MANILLAR ATLANTIS SUBCOMPL. MANUBRIO	HANDLEBAR ASSY	1 2 3 4	
02A		00F00930071	R-EMPUÑ.FR.TR.1373021551 W.CH. R-MANOPOLA FRENO POSTERIORE 13	GRIP, THROTTLE	1 2 3 4	
03A		00000004620	TOR.C/ALLEN.6M100X20.D-912/8.8 VITE TESTA ALLEN 6M100x20.D-91	ALLEN SCREW M6X20	1 2 3 4	
04A		00H02101811	R-CTO.KIT REPARAC.BOMBA SDA.R KIT RIPARAZIONE POMPA	MASTER CYLINDER REPAIR KIT	1 2 3 4	
05A		00H02100861	R-JUNTA TAP.DPT.LIQ.FR.DT.SD.R GUARNIZIONE COPERCHIO	BRAKE FLUID RESERVOIR CAP SEAL	1 2 3 4	
06A		00H02100191	R-TAPA DEPOSITO LIQ.FR.DT.SD.R COPERCHIO SERBATOIO LIQUIDO	BRAKE FLUID RESERVOIR CAP	1 2 3 4	
07A		00014041200	TOR.C/AV.CRUZ,NG.4M80X12.D-965 VITE TESTA SVASATA CROCE NERO	COUNTERSUNK PHILIPS SCREW (BLA	1 2 3 4	
08A		00006309260	RACORD TUBO HIDRAULICO. RACCORDO TUBO IDRAULICO	HYDRAULIC TUBE CONNECTOR	1 2 3 4	
09A		00006321040	ARAND.JUNTA RACORD. RONDELLA GUARNIZIONE RACCORDO	CONNECTOR GASKET WASHER	1 2 3 4	
10A		00G00905891	SCTO.CABLE-FUNDA POST.GAS.HUNT CAVO-FODERO POSTERIORE	REAR THROTTLE CABLE/SLEEVE S/A	1 2 3 4	
11A		00G00900861	CAJA CONEX.CABLES GAS. CASSA COLLEGAMENTO CAVI BENZ.	THROTTLE CABLE CONNECTOR BOX	1 2 3 4	
12A		00G00906171	CTO.CABLE FUNDA GAS ATLANTIS COMPL. CAVO FODERO ACCELERA	THROTTLE CABLE/SLEEVE ASSY	1 2 3 4	
13A		00G00906081	CTO.PUÑO GAS ATLANTIS COMPL. MANOPOLA ACCELERATOR	THROTTLE TWIST GRIP	1 2 3 4	
14A		00G00900291	R-MANETA FRENO.TR.1699022076. LEVA FRENO POSTERIORE	REAR BRAKE LEVER	1 2 3 4	
15A		00000004840	TOR.C/ALLEN.8M125X40.D-912/8.8 VITE TESTA ALLEN 8M125X40	ALLEN SCREW 8M125X40 D.912/8.8	1 2 3 4	



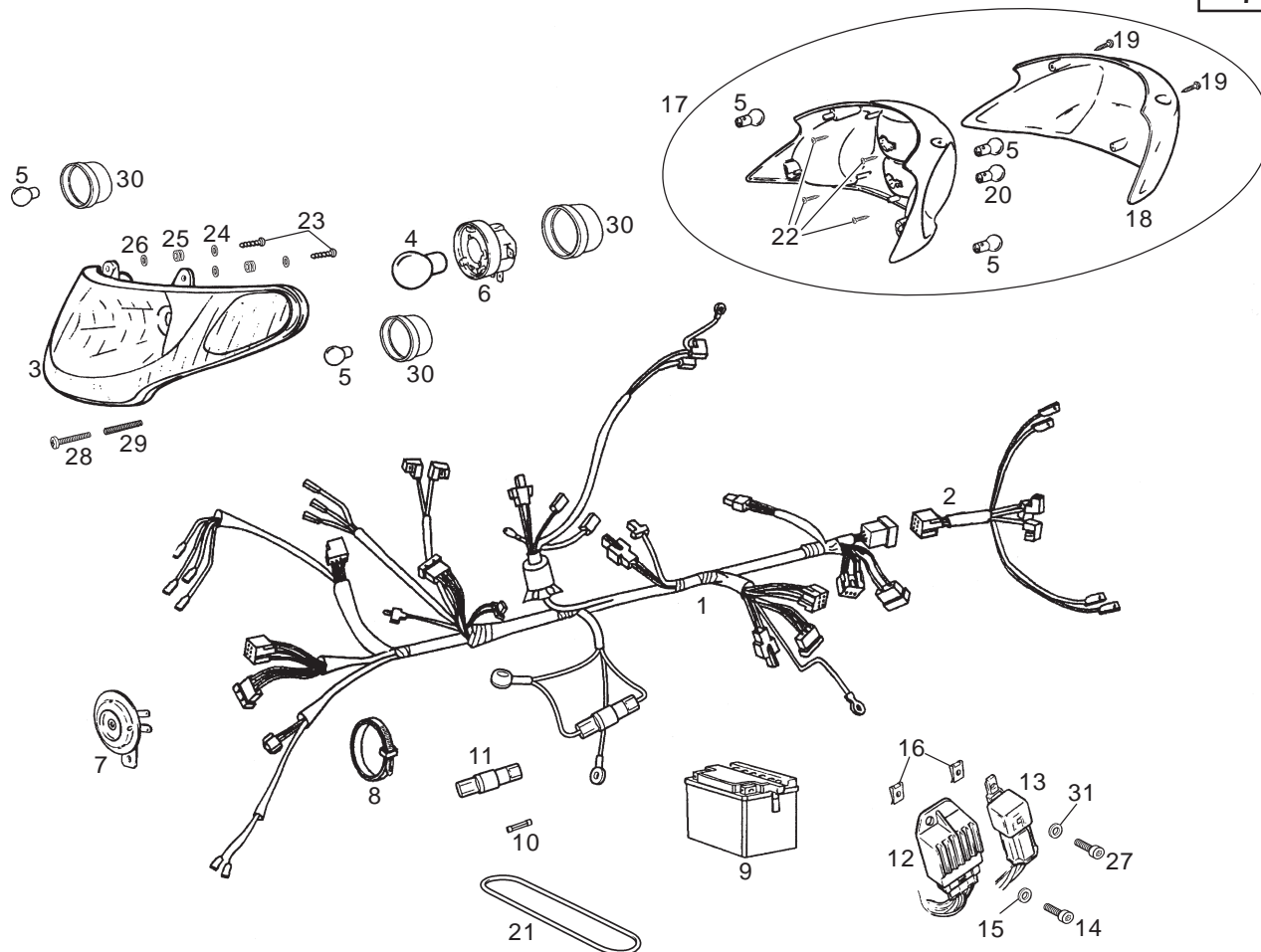
Figr.	Vers.	COD.	DESCRIPCIÓN / DENOMINAZIONE	DESIGNATION	MOD.	Nº CHASIS Nº TELAIO FRAME NUM.
16A		00000004845	TOR.C/ALLEN.8M125X45.D-912.8.8 VITE TESTA ALLEN 8M125X45	ALLEN SCREW M8X45	1 2 3 4	
17A		00F00930091	R-EMPUÑADURA GAS.V.TOP. IMPUGNATURA ACCELERATORE	GRIP, THROTTLE	1 2 3 4	
18A		00G00901201	R-MANETA FRE.DT.13376010 LEVA FRENO ANTERIORE	FRONT BRAKE LEVER	1 2 3 4	
19A		00G00905751	R-CTO.TUBO LIQ.FR.DT.ATLANTIS R-COMPL. TUBO LIQUIDO FRENI	FRONT BRAKE FLUID TUBE ASSY	1 2 3 4	
20A		00F05800021	R-CTO.TOR.ARTIC.MANT.FR.D.SP-R COMPL. VITE ARTICULAZ.MANETA	SCREW ASSY	1 2 3 4	
21A		00G02102081	R-CTO.MANDO FR.DT.HUNTER POMPA FRENO ANTERIORE COMPLETA	FRONT BRAKE LEVER/CYLINDER ASS	1 2 3 4	
22A		00G02106611	CTO.PORTAMANETA.IZ.VECOS COMPL. PORTAMANOPOLA SINIST	LEFT LEVER BRACKET	1 2 3 4	
23A		00G00904431	SCTO.CABLE-FDA.FR.TR.ATLANTIS SUBCOMPL. CAVO-FODERO FRENO	REAR BRAKE CABLE/SLEEVE ASSY	1 2 3 4	
24A		00G00900211	R-CTO.TOR.ARTIC.MANETA. VITE SNODO MANOPOLA	LEVER HINGE PIN SCREW ASSY	1 2 3 4	
25A		00F00901151	R-TOR.FIJ.TAPETA PUÑO GAS FURA VITE FISSAGGIO	THROTTLE GRIP CAP SECUR SCREW	1 2 3 4	
26A		00G00901661	CTO.MANETA AIRE ATLANTIS COMPL. LEVA ARIA GPR-75	LEVER AIR	1 2 3 4	
27A		00G00901651	SCTO.CAB.-FUND.AIRE.ATLANTIS SUBCOMPL. CAVO-FODERO ARIA	CABLE ASSY, CHOKE.	1 2 3 4	
28A		00G03702181	BRIDA FIJ.TUBO ACTE.BOMBA-BOQ FLANGIA FISSAGGIO TUBO OLIO PO	PUMP-INLET OIL TUBE SECURING F	1 2 3 4	
29A		00004061600	TOR.C/ALL.6M100X16.D912/8.8 NG VITE TESTA ALLEN 6M100X16.D912	ALLEN SCREW M6X16	1 2 3 4	
30A		00000031060	ARAND.PLANA MECANIZ.D.6.DIN125 RONDELLA PIATTA D6	MACHINED FLAT WASHER D6 DIN-12	1 2 3 4	



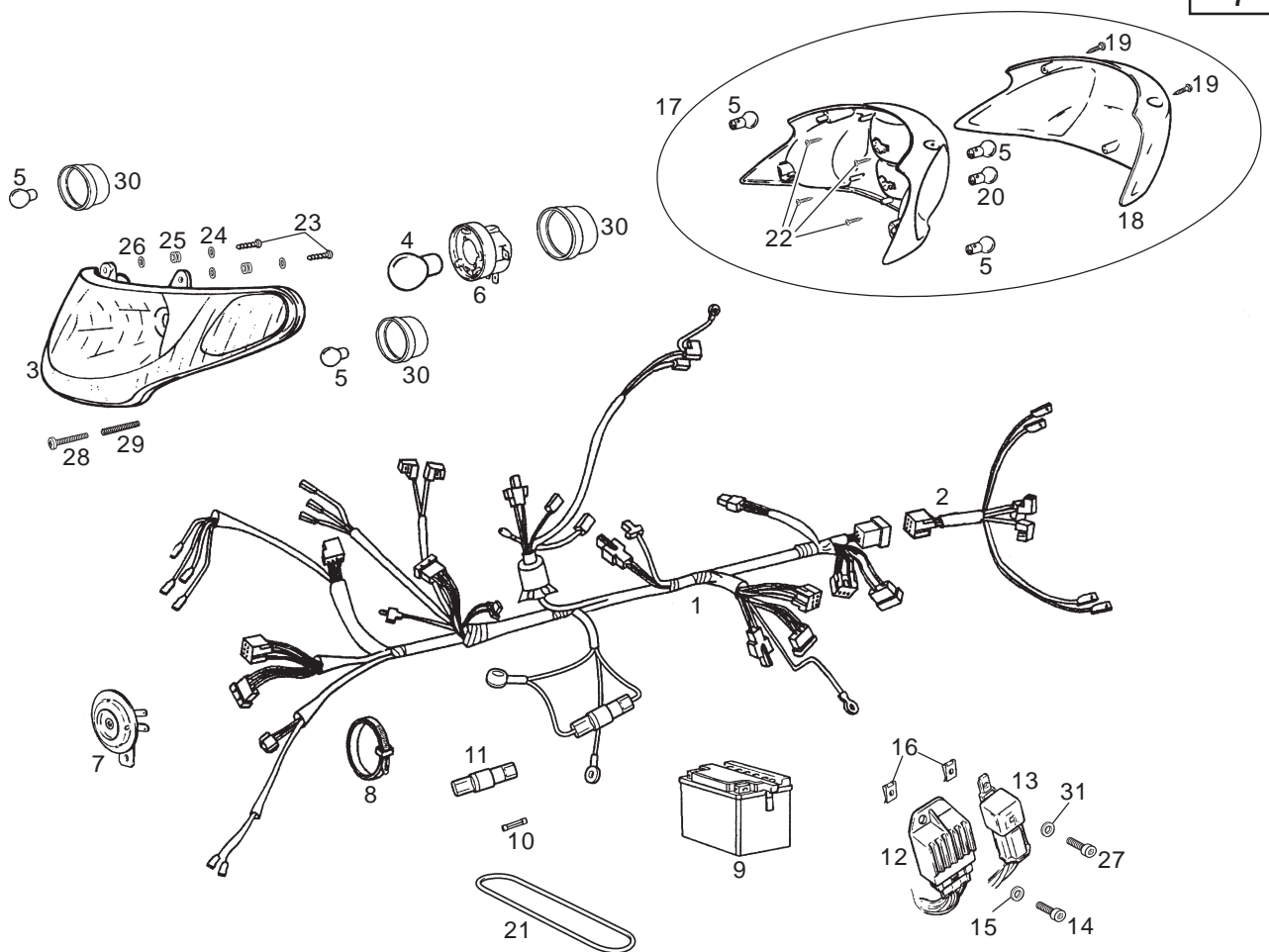
Figr.	Vers.	COD.	DESCRIPCIÓN / DENOMINAZIONE	DESIGNATION	MOD.	Nº CHASIS Nº TELAIO FRAME NUM.
31A		00D01000701	INTERRUP.MANDO STOP. INTERRUPTORE STOP	SWITCH, STOP LIGHT	1 2 3 4	
32A		00000031080	ARAND.PLANA MECANIZ.D.8.DIN125 RONDELLA PIATTA D8	MACHINED FLAT WASHER D8 DIN-12	1 2 3 4	
33A		00000023080	TCA.AUTOBLOC. 8M125. DIN-982. DADO AUTOBLOCCANTE 8M125	SELF-LOCKING NUT M8	1 2 3 4	
34A		00D02100901	R-BRIDA FIJ.MANDO FRENO.FD. CAVALLOTTO FISSAGGIO POMPA	CLAMP	1 2 3 4	
35A		00014030600	TOR.C/AV.CRUZ.NG.3X6.D-965 VITE TESTA SVASATA CROCE NERO	COUNTERSUNK PHILIPS SCREW	1 2 3 4	



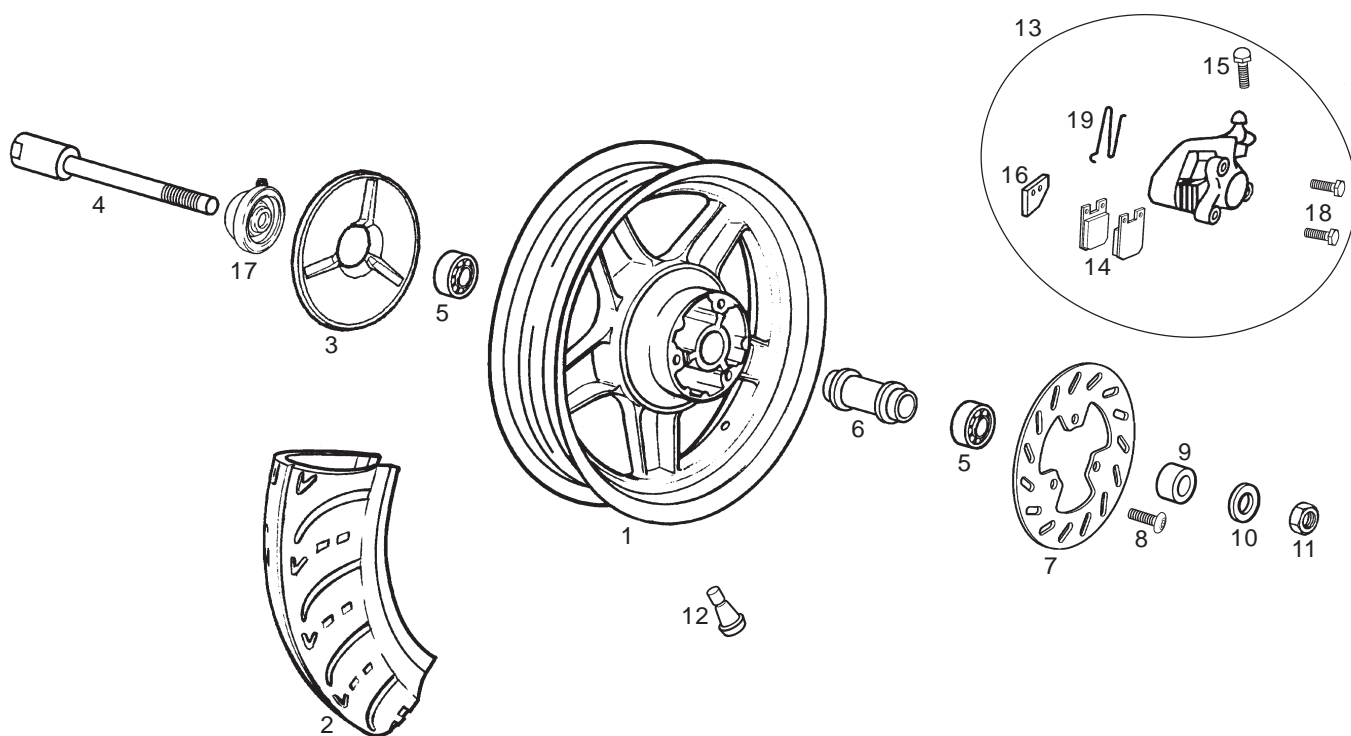
Figr.	Vers.	COD.	DESCRIPCIÓN / DENOMINAZIONE	DESIGNATION	MOD.	Nº CHASIS Nº TELAIO FRAME NUM.
01A		00G01017301	CTO.INSTAL.ELECT.ATLANTIS COMPL. INSTALLAZIONE ELETTR	ELECTRICAL INSTALATIONS ASSY	1 3	
01B		00G01026301	CTO.INSTAL.ELECT.ATLANTIS COMPL. INSTALLAZIONE ELETTR	ELECTRICAL INSTALATIONS ASSY	2 4	
02A		00G05703051	CTO.INSTAL.FARO PILOTO ATLANTI IMPIANTO FANALINO POSTERIORE	TAILLIGHT WIRING ASSY PREDATOR	1 2 3 4	
03A		00G01018011	CTO.FARO DT.ATLANTIS COMPL. FARO ANTERIORE HUNTE	HEADLAMP ASSY	1 2 3 4	
04A		00E01020131	LAMP.FARO 12V.25/25W.SCO-USA LAMPADA FARO 12V.25/25W.SCO-US	HEADLAMP BULB	1 2 3 4	
05A		0000A517011	LAMP.FARO INTERMITTES.12V.10W. LAMPADA 12V 10W	INDICATOR LIGHT BULB 12V 10W	1 2 3 4	
06A		00G01004111	R-PORTALAMP.FARO DT.ATLANTIS PORTALAMPADA FARO ANTERIORE	HEADLIGHT BULB SOCKET	1 2 3 4	
07A		00F01001311	CTO.CLAXON.12V-DC/0450-A.SC/91 CLACSON 12V CC	HORN ASSEMBLY	1 2 3 4	
08A		00F00900531	BRIDA UNECABLES NEGRA. FLANGIA UNIONE CAVI	BLACK CABLE TIE	1 2 3 4	
09A		00G03301401	BATERIA.12V.4AH.ATLANTIS BATERIA 12V. 3 AO	BATTERY 12V.3AH.	1 2 3 4	
10A		00G01000911	FUSIBLE 4 AH.PREDATOR FUSIBILE 4AO	FUSE, 4 A	1 2 3 4	
11A		00G02300811	CTO.PORTAFUSIBILE INST.EL.PRED. PORTAFUSIBILE	FUSE HOLDER	1 2 3 4	
12A		00G01001841	REGULADOR.AC/DC.CENT.INTTS.G2B REGOLATORE CA/CC	VOLTAGE REGULATOR	1 2 3 4	
13A		00G03900011	CTO.RELE ARRQ.ELECTR.HUNTER RELÈ AVVIAMENTO ELETTRICO	ELECTRIC START RELAY	1 2 3 4	



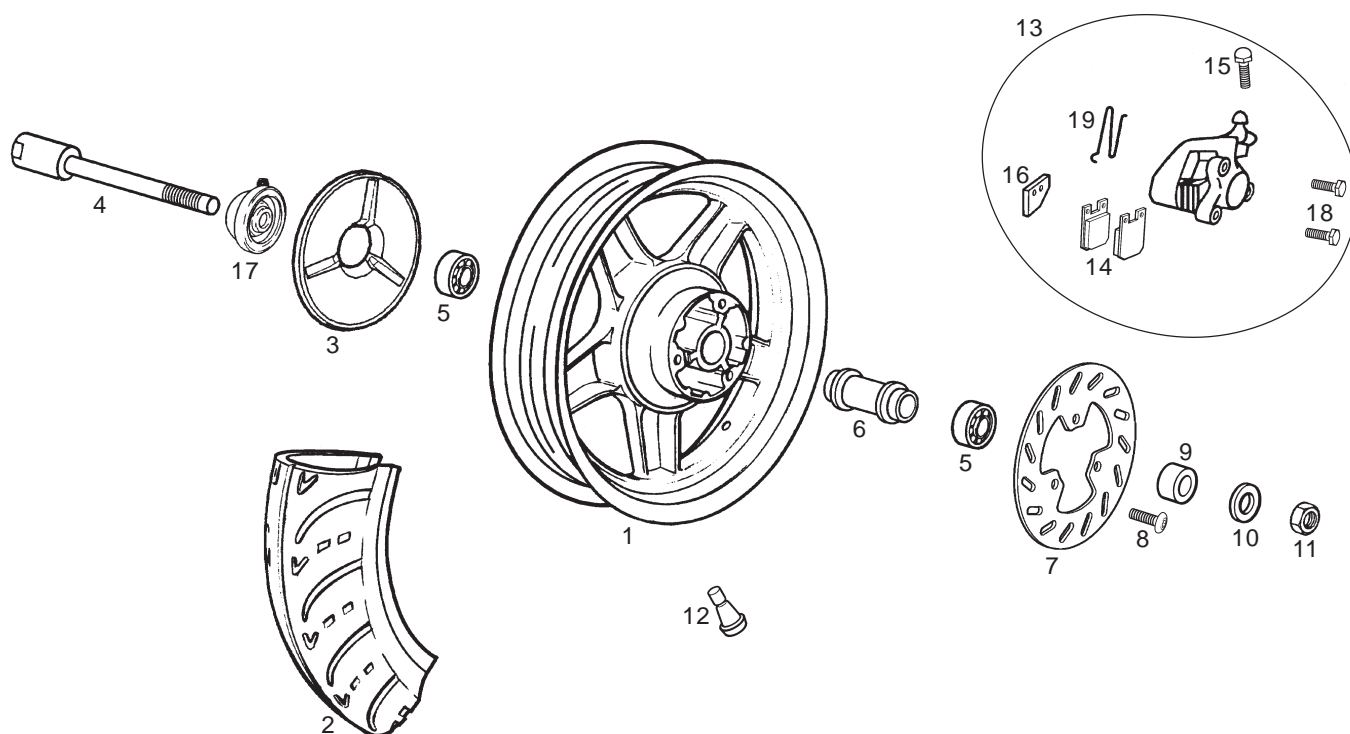
Figr.	Vers.	COD.	DESCRIPCIÓN / DENOMINAZIONE	DESIGNATION	MOD.	Nº CHASIS Nº TELAIO FRAME NUM.
14A		00000004515	TOR.C/ALLEN 5M80X15 D912/8.8NG VITE TESTA ALLEN 5M80X15.	ALLEN SCREW M5X15	1 2 3 4	
15A		00000031050	ARAND.PLANA MEC.D.5.DIN125-B RONDELLA PIATTA D5	MACHINED FLAT WASHER D5	1 2 3 4	
16A		00H01500691	TCA.FIJ.CARENADO A SOPTE.D.5 DADO FISSAGGIO CARENATURA	FAIRING SECURING NUT	1 2 3 4	
17A		00G01004321	CTO.FARO PILOTO ATLANTIS COMPL. FANALINO POSTERIORE	REAR LIGHT ASSY	1 2 3 4	
18A		00G01004341	CRISTAL FARO PILOTO ATLANTIS COPPETTA ESTERNA	REAR LIGHT LENS	1 2 3 4	
19A		00011031600	TOR.AUTR.C/CRUZ.3,9X16D7981NEG VITE AUTOAVV.T/CR.3,9X16D7981N	SCREW	1 2 3 4	
20A		00F01020371	LAMP.PILOTO.12V.5W.SPORT.IT/89 LAMPADA FANALE 12V.5W.SP.IT	UPPER LIGHT 12V.5W.	1 2 3 4	
21A		00G01802361	SCTO.BRIDA FIJ.BATERIA HUNTER SUBCOMPL. FLANGIA FISSAGGIO	BATTERY SECURING CLAMP SUB-ASS	1 2 3 4	
22A		00011031401	TOR.AUTR.CTE.3,6X14 NG.CL ALH VITE AUTOFILETTANTE 3,6X14	SELF-TAPPING SCREW	1 2 3 4	
23A		00011031801	TOR.AUTR.CTE.3,6X18 NG.CL ALH VITE AUTOFILETTANTE 3,6X18	SCREW	1 2 3 4	
24A		00040008000	ARAND.PLANA.D.8,4.DIN-433. RONDELLA 8,4	WASHER D.8,4.	1 2 3 4	
25A		00D01500021	PASACABL.INST.GUARD.TR.FDS/89. PORTACAVI IST.PARAFANGO POST.	GROMMET	1 2 3 4	
26A		00038004000	ARAND.PLANA.D.4,3.DIN-9021. RONDELLA 4,3	MACHINED FLAT WASHER, D.4,3.	1 2 3 4	
27A		00000004612	TOR.C/ALLEN 6M80X12NEGRO VITE TESTA ALLEN 6M80X12 NERO	ALLEN SCREW M6X12	1 2 3 4	



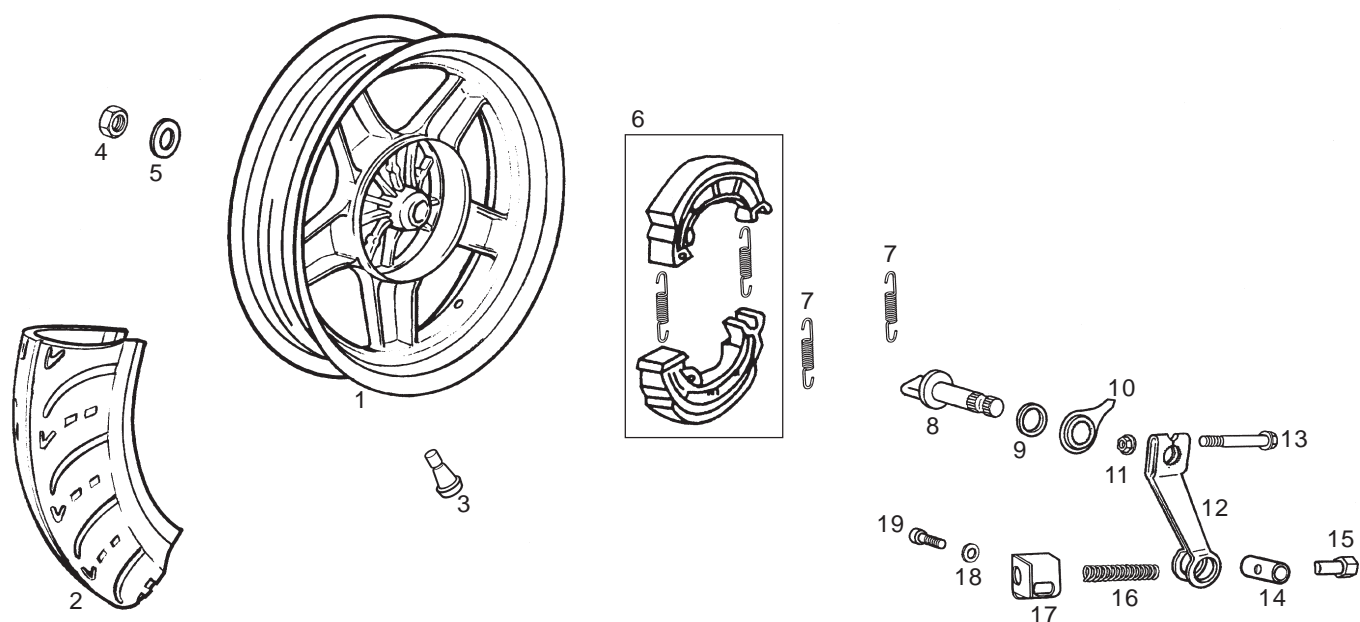
Figr.	Vers.	COD.	DESCRIPCIÓN / DENOMINAZIONE	DESIGNATION	MOD.	Nº CHASIS Nº TELAIO FRAME NUM.
28A		00012044000	TOR.C/RED.CRUIZ 4M70X40 DIN7985 VITE	BOLT, ROUND HEAD 4MM70X40	1 2 3 4	
29A		00G02302501	R-MUELLE REG.FARO.DT.ATLANTIS R- MOLLA REGOLAZIONE FARO ANTE	HEADLAMP ADJUSTER SPRING	1 2 3 4	
30A		00G05701141	R-PROTECTOR PORTALAM.FARO ATLA PROTEZIONE PORTALAMPADE FARO	HEADLIGHT BULBHOLDER PROT PRED	1 2 3 4	
31A		00000031060	ARAND.D6 RONDELLA D6	WASHER D6	1 2 3 4	



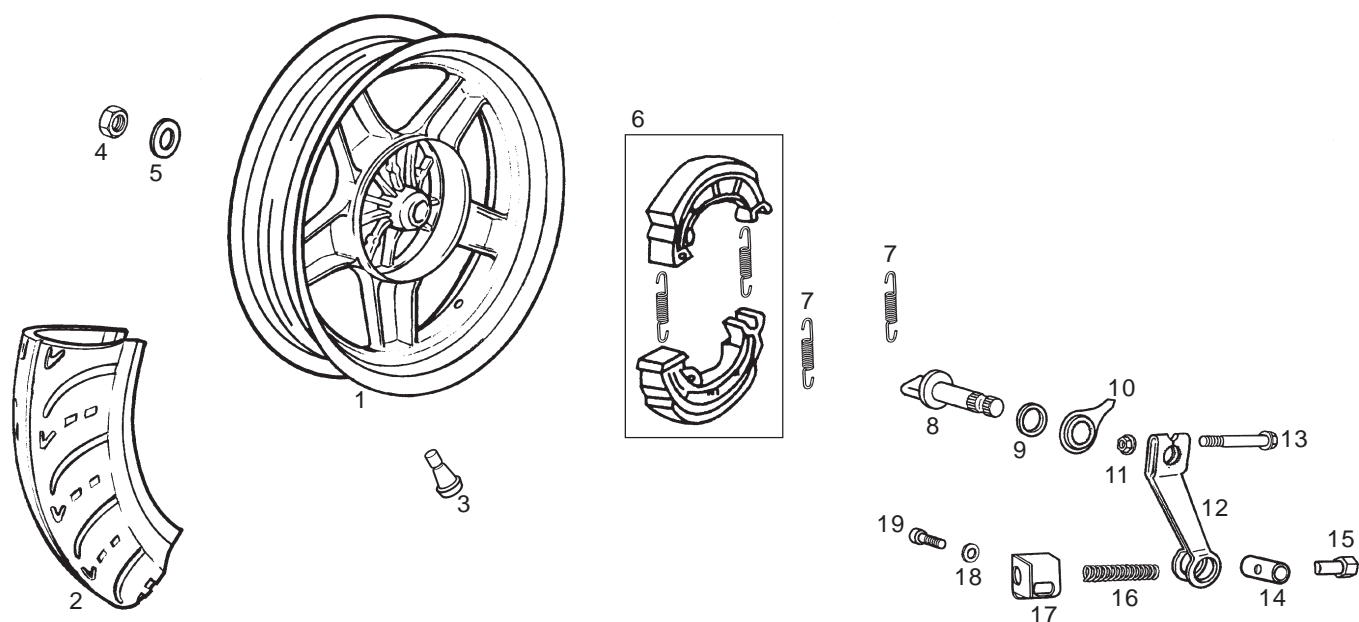
Figr.	Vers.	COD.	DESCRIPCIÓN / DENOMINAZIONE	DESIGNATION	MOD.	Nº CHASIS Nº TELAIO FRAME NUM.
01A		00G01206951	R-CTO.LLANTA DT.GR.ZIR.ATLANT. CERCHIO ANTERIORE	FRONT WHEEL ASSEMBLY	1 3	
01B		00G01206953	R-CTO.LLANTA DT.RJ.PIROM. CERCHIO ANTERIORE	FRONT WHEEL ASSEMBLY	2 4	
02A		00G01212111	CUBIERTA 120/70X12 COPERTONE	TYRE	1 2 3 4	
03A		00F01201121	TAPACUBOS RUEDA DTRA. URBAN-R. COPRIMOZZO RUOTA ANTERIORE	FRONT HUB CAP	1 2 3 4	
04A		00G01201271	EJE RUEDA DT.HUNTER ASSE RUOTA ANTERIORE	FRONT WHEEL AXLE	1 2 3 4	
05A		00058120100	COJINETE 6201.C3.2RS.12.32.10 CUSCINETTO A SFERE 12x32x10	BEARING 6201 12X32X10	1 2 3 4	
06A		00G01200031	SCTO.SEPARAD.COJINET.DT.HUN'98 Distanziale CUSCINETTO	FR BEARING DISTANCE BUSH ASSY	1 2 3 4	
07A		00G01202021	DISCO FRENO DT.HUNTER DISCO FRENO	FRONT BRAKE DISC	1 2 3 4	
08A		00H02401282	TOR.FIJ.DISCO FR.TR.FEN.95 AL. VITE FISSAGGIO DISCO FRENO	REAR BRAKE DISC SECURING SCREW	1 2 3 4	
09A		00H01301291	CASQ.RUEDA TR.LADO DISCO SEN.R GHIERA RUOTA LATO DISCO	SPACER, REAR WHEEL DISC SIDE	1 2 3 4	
10A		00003112320	ARAND.EJE RUEDA.12'25X20X2. RONDELLA ASSE RUOTA.12'25X20X2	FRONT WHEEL AXLE WASHER	1 2 3 4	
11A		00021012001	TCA.EXAG.12M150.DIN-934/10. DADO ESAGONALE 12M150	HEX NUT, 12 MM X 1.50	1 2 3 4	
12A		00G04702092	CTO.VALV.AIRE RDAS.13"PREDATOR VALVOLA ARIA 13"	VALVE, TYRE	1 2 3 4	
13A		00G01202191	CTO.PINZA FR.DT.NG.VAM-R/AJP COMPL.PINZA ANTERIORE	BRAKE CALIPER	1 2 3 4	
13B		00G01202192	CTO.PINZA FR.DT.NG.VAM-R/AJP COMPL.PINZA ANTERIORE	BRAKE CALIPER	1 2 3 4	



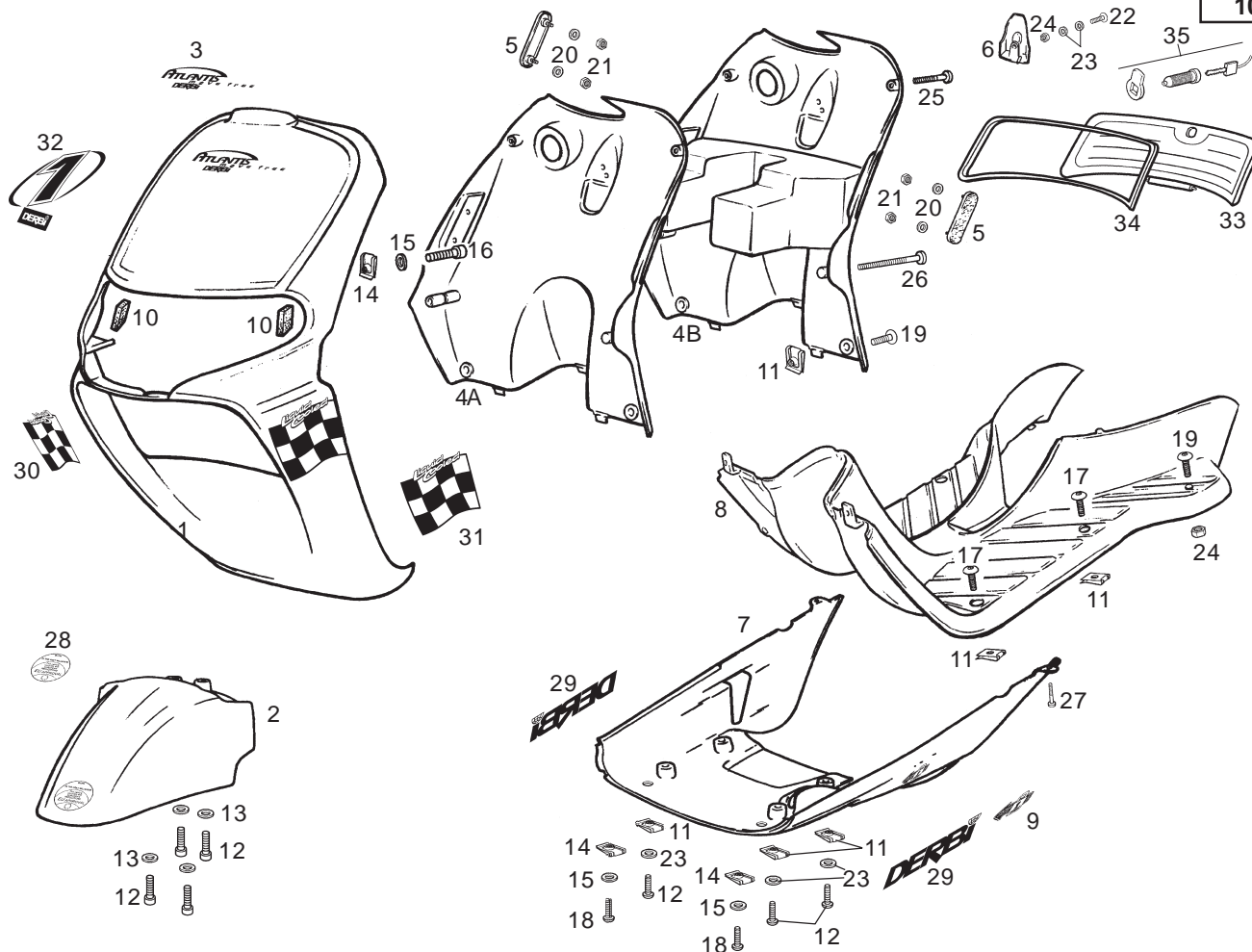
Figr.	Vers.	COD.	DESCRIPCIÓN / DENOMINAZIONE	DESIGNATION	MOD.	Nº CHASIS Nº TELAIO FRAME NUM.
14A		00G04700141	R-JUEG.PAST.FR.DT.BS-S-40-GF PASTIGLIE FRENO POSTERIORE	FRONT BRAKE PAD	1 2 3 4	
15A		00F04700121	R-CTO.PURGADOR PINZA FR.DTRO. SPURGO PINZA FRENO ANTERIORE	FRONT BRAKE CALIPER BLEED ASSY	1 2 3 4	
16A		00G04700131	R-PLACA INTERM.PASTILLA FRENO PIASTRA INTERMEDIA PASTIGLIA	INTERMEDIATE PLATE, BRAKE PAD	1 2 3 4	
17A		00G01608051	CTO.REENVIO ATLANTIS 14/9 RINVIO	RETURN UNIT.	1 2 3 4	
18A		00006083000	TOR.EX.C/BRID.8M125X30.D6921. VITE ESSAGONALE 6M100X30	HEXAGONAL SCREW/FLANGE	1 2 3 4	
19A		00H01301831	MUELLE FIJ.PASTILLA FRENO TR. MOLLA FISSAGGIO PASTIGLIA FRENO	REAR BRAKE PAD SECUR SPRING	1 2 3 4	



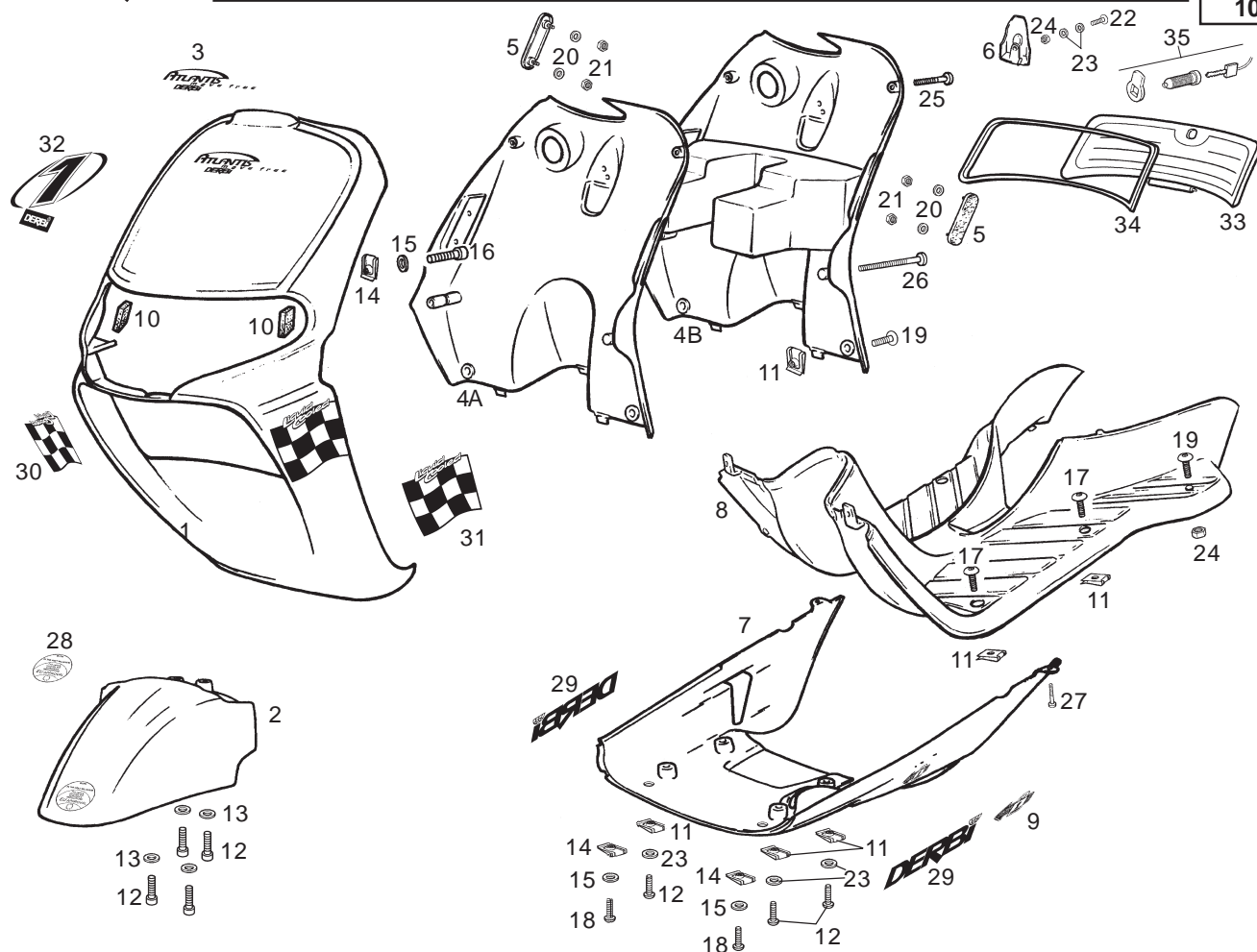
Figr.	Vers.	COD.	DESCRIPCIÓN / DENOMINAZIONE	DESIGNATION	MOD.	Nº CHASIS Nº TELAIO FRAME NUM.
01A		00G02404151	R-SCTO.LLANTA TR.GR.ZIRC.ATLAN CERCHIO POSTERIORE	REAR WHEEL ASSY	1 3	
01B		00G02404153	R-SCTO.LLANTA TR.RJ.PIROM. CERCHIO POSTERIORE	REAR WHEEL ASSY	2 4	
02A		00G01212111	CUBIERTA 120/70X12 COPERTONE	TYRE	1 2 3 4	
03A		00G04702092	CTO.VALV.AIRE RDAS.13"PREDATOR VALVOLA ARIA 13"	VALVE, TYRE	1 2 3 4	
04A		00G01300271	TCA.EJE RUEDA TR.M16 D980-V DADO ASSE RUOTA POSTERIORE M16	REAR WHEEL AXLE NUT	1 2 3 4	
05A		00G01302191	ARAND.EJE RUEDA TR.VAM.ALEM. RONDELLA ASSE RUOTA POSTERIORE	REAR WHEEL AXLE WASHER	1 2 3 4	
06A		00G01300931	CTO.MORDAZA FR.C/MUELLESVAMOS COMP.GANASCIA FRE. C/MOLLE AV.	REAR BRAKE SHOE AND SPRINGS AS	1 2 3 4	
07A		00G01200241	MUELLE MORDAZ.FRENO DT./TR. MOLLA GANASCIA FRENO ANT./POST	SPRING, BRAKE SHOE RETURN	1 2 3 4	
08A		00G01300231	EJE LEVA MORDAZAS. ASSE LEVA GANASCE	BRAKE SHOES CAM SHAFT	1 2 3 4	
09A		00G01200911	ARAND.GUARDAP.EJE LEVA. RONDELLA PARAPOLVERE ASSE CAMM	WASHER	1 2 3 4	
10A		00G01200721	INDICAD.DESGASTE FORRO MORD.DT INDIC. DETER.FODERA GANASC.DES	FRONT BRAKE SHOE WEAR INDICATO	1 2 3 4	
11A		00026005000	TCA.EXAG.C/BRIDA.5M80 D6923 NG DADO ESAG.C/FLANGIA 5M80	HEX NUT WITH FLANGE	1 2 3 4	
12A		00G01302121	PALANCA FRENO TR.HUNTER LEVA FRENO POSTERIORE HUNTER	REAR BRAKE ARM	1 2 3 4	
13A		00006052500	TOR.EX.C/BRIDA.5M80X25 D6921NG VITE ESAGONALE TESTA FLANGIA 5	HEX HEAD SCREW WITH FLANGE	1 2 3 4	
14A		00003111110	RODILLO PALANCA TRAS. RULLO LEVA POSTERIORE	REAR LEVER ROLLER	1 2 3 4	



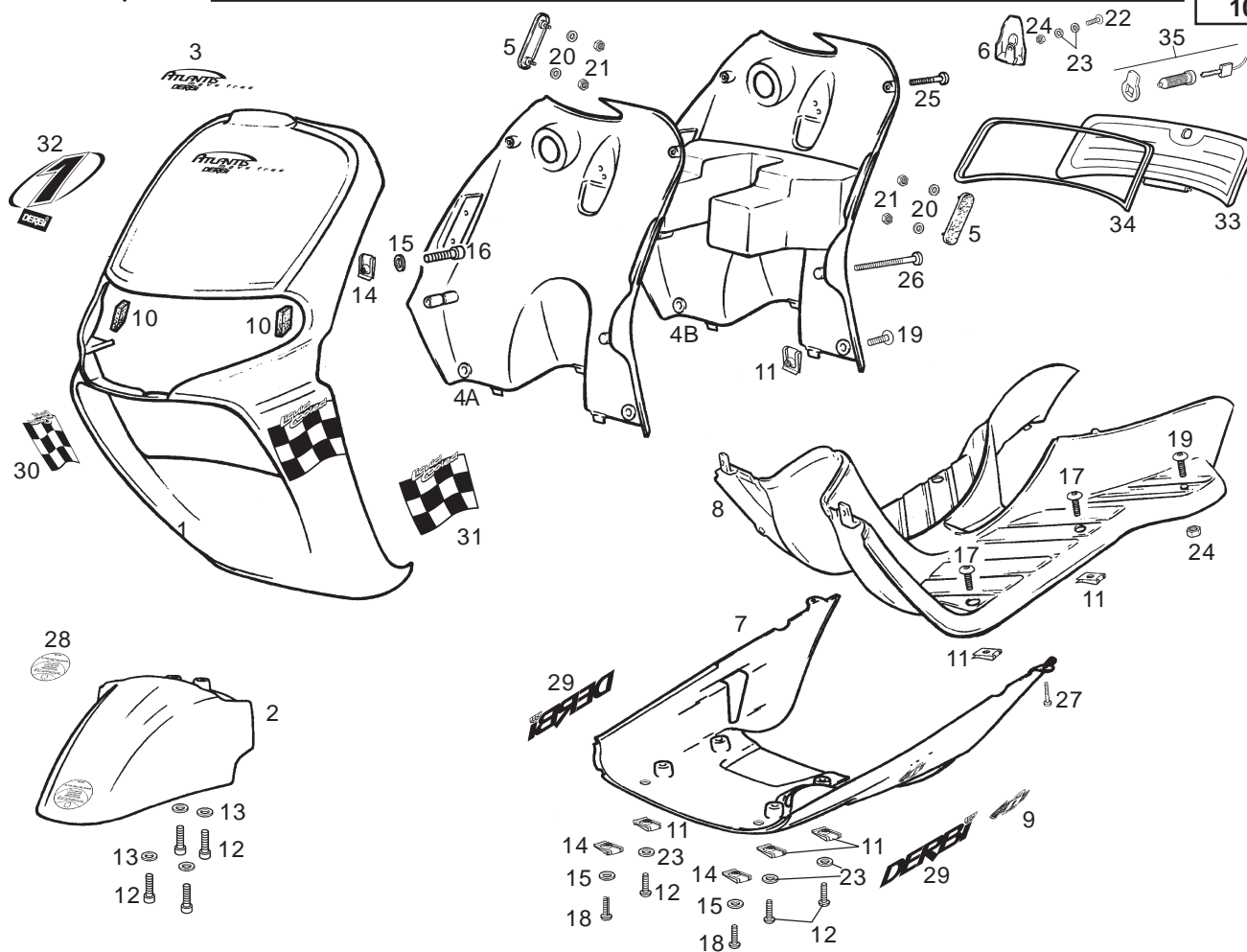
Figr.	Vers.	COD.	DESCRIPCIÓN / DENOMINAZIONE	DESIGNATION	MOD.	Nº CHASIS Nº TELAIO FRAME NUM.
15A		00003111120	PALOMILLA REGULAC.FRENO. GALLETTO REGOLAZIONE FRENO	ADJUSTER, REAR BRAKE	1 2 3 4	
16A		00G01300831	MUELLE CABLE FRENO TR. MOLLA CAVO FRENO POSTERIORE	REAR BRAKE CABLE SPRING	1 2 3 4	
17A		00G05800101	PLACA FIJ.CABLE FRENO TRAS. PLACCA FISSAGGIO CAVO FRENO PO	REAR BRAKE CABLE FIXING PLATE	1 2 3 4	
18A		00000033060	ARAND.MUELLE. D.6.DIN-127-B. RONDELLA MOLLA D.6	SPRING WASHER D6	1 2 3 4	
19A		00004061600	TOR.C/ALL.6M100X16.D912/8.8 NG VITE TESTA ALLEN 6M100X16.D912	ALLEN SCREW M6X16	1 2 3 4	



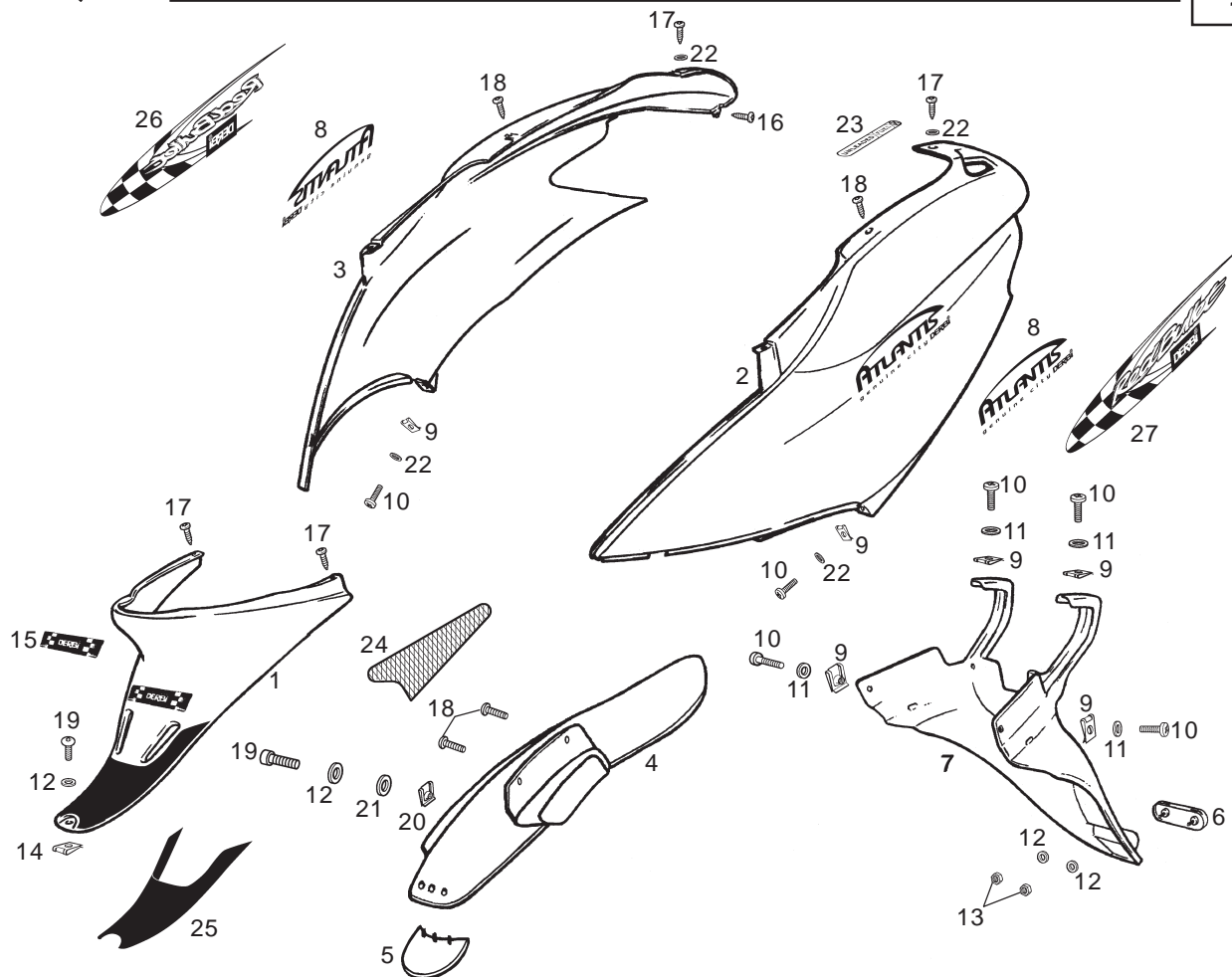
Figr.	Vers.	COD.	DESCRIPCIÓN / DENOMINAZIONE	DESIGNATION	MOD.	Nº CHASIS Nº TELAIO FRAME NUM.
01A		00G04926087	R-SCTO.ESC.FR.ROJO PIOMORFITA CARENATURA FRONTALE	FRONT SHIELD	1 3	
01B		00G04935081	R-SCTO.ESC.FR.ROJO PIOMORFITA CARENATURA FRONTALE	FRONT SHIELD	2 4	
02A		00G00703022	GUARD.DT.NG.VID.ATLANTIS PARAFANGO ANTERIORE	FRONT FENDER	2 4	
02B		00G00703027	GUARD.DT.ROJO AVELL.ATLANTIS PARAFANGO ANTERIORE	FRONT FENDER	1 3	
03A		00G02209253	CALCA SUP.ESC.FR.ATLANT.RJ.AV. ADESIVO	DECAL	1 3	
04A		00G06803431	SCTO.INT.ESC.FR.C/GANCHO ATLAN CARENAT.INTERNO FRONTALE	FRONT SHIELD INNER	1 3	
04B		00G06804431	SCTO.INT.ESC.FR.C/GANCHO ATLAN CARENAT.INTERNO FRONTALE	FRONT SHIELD INNER	2 4	
05A		00G04403751	CATADIOPTRICOS.LAT.AMBAR.ATLAN CATARIFRANGENTI LATERALI	AMBER SIDE REFLECTOR PRED	1 2 3 4	
06A		00G06301101	GANCHO PORTABOLSA N.P.ATLANTIS GANCIO PORTABORSA	PANNIER HOOK	1 2 3 4	
07A		00G04603081	PROTECT.INF.CHASIS.ATLANTIS PROTETTORE INFERIORE TELAIO AR	LOWER FRAME SHIELD BIOT ORANGE	1 2 3 4	
08A		00G01504091	REPOSAPIES N.P.ATLANTIS APPOGGIAPIEDI HUNTER	FOOTREST	1 2 3 4	
09A		00G06301061	CALCA CANDADO ATLANTIS ADESIVO LUCCHETTO	DECAL, PADLOCK	1 2 3 4	
10A		00G05700101	TOPE FARO DTRO.ATLANTIS FERMO FARO	HEADLIGHT STOP	1 2 3 4	
11A		00D01501371	TCA.FIJ.CUBRECAD.212827 DADO FISSAGGIO	NUT	1 2 3 4	
12A		00012161600	TOR.C/CRUZ.NG.6M100X16.D7985-Z VITE TESTA CROCE NERA	PHILIPS SCREW	1 2 3 4	



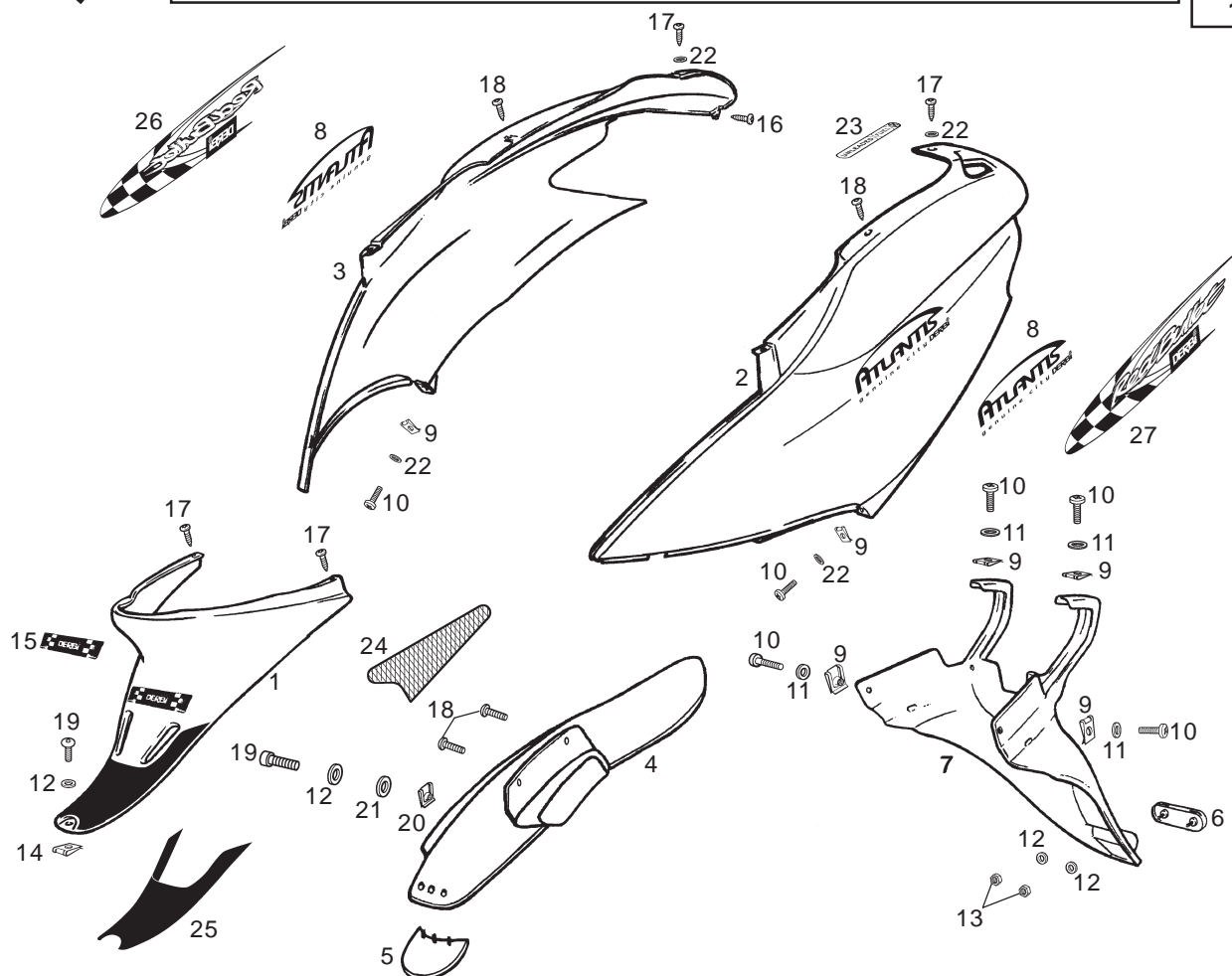
Figr.	Vers.	COD.	DESCRIPCIÓN / DENOMINAZIONE	DESIGNATION	MOD.	Nº CHASIS Nº TELAIO FRAME NUM.
13A		00D01200171	ARAND.EJE LEVA-FIJ.CUBRECAD. RONDELLA	WASHER	1 2 3 4	
14A		00G04401461	TCA.FIJ.ESCUDO FRONTAL D.5 DADO FISSAGGIO SCUDO FRONTALE	FRONT SHIELD NUT	1 2 3 4	
15A		00000031050	ARAND.PLANA MEC.D.5.DIN125-B RONDELLA PIATTA D5	MACHINED FLAT WASHER D5	1 2 3 4	
16A		00000004515	TOR.C/ALLEN 5M80X15 D912/8.8NG VITE TESTA ALLEN 5M80X15.	ALLEN SCREW M5X15	1 2 3 4	
17A		00G01504701	TOR.FIJ.REPOSAPIES VECOS VITE FISSAGGIO	SCREW	1 2 3 4	
18A		00012151500	TOR.C/RED.CRUZ.5M80X16.D7985NG VITE TESTA TONDA CROCE 5M80X16	ROUND HD CROSSHD SCREW	1 2 3 4	
19A		00G01503701	TOR.FIJ.ESC.FRONTAL HUNTER 5.6 VITE FISSAGGIO SCUDO FRONTALE	FRONT SHIELD SECURING SCREW	1 2 3 4	
20A		00D02600631	ARAND.TOPE MUELLE EMBRG.4-6V. RONDELLA FERMO MOLLA FRIZIONE	CLUTCH SPRING STOP WASHER	1 2 3 4	
21A		00000023040	TCA.AUTOBLOC. 4M70 D985 DADO AUTOBLOCCANTE 4M70	SELF-LOCKING NUT 4M70	1 2 3 4	
22A		00008062500	TOR.C/RED.ALLEN.6M100X25. VITE TONDO ALLEN 6M100X25	ALLEN ROUND HEAD SCR.6M100X25	1 2 3 4	
23A		00000031060	ARAND.PLANA MECANIZ.D.6.DIN125 RONDELLA PIATTA D6	MACHINED FLAT WASHER D6 DIN-12	1 2 3 4	
24A		00000023060	TCA.AUTOBLOC. 6M100.DIN-985.8 DADO AUTOBLOCCANTE 6M100	SELF-LOCKING NUT M6	1 2 3 4	
25A		00011052201	TOR.AUTRCTE.5X22 NG.CL ALH VITE AUTOFIETTANTE 5X22 NER	SELF-TAPPING SCREW	1 2 3 4	
26A		00011055001	TOR.AUTRCTE.5,1X50 NG.CL ALH VITE AUTOFIETTANTE 5X50 NER	SELF-TAPPING SCREW	1 2 3 4	
27A		00011051601	TOR.AUTRCTE.5X16 NG.CL ALH VITE AUTOFIETTANTE 5X16	SELF-TAPPING SCREW	1 2 3 4	



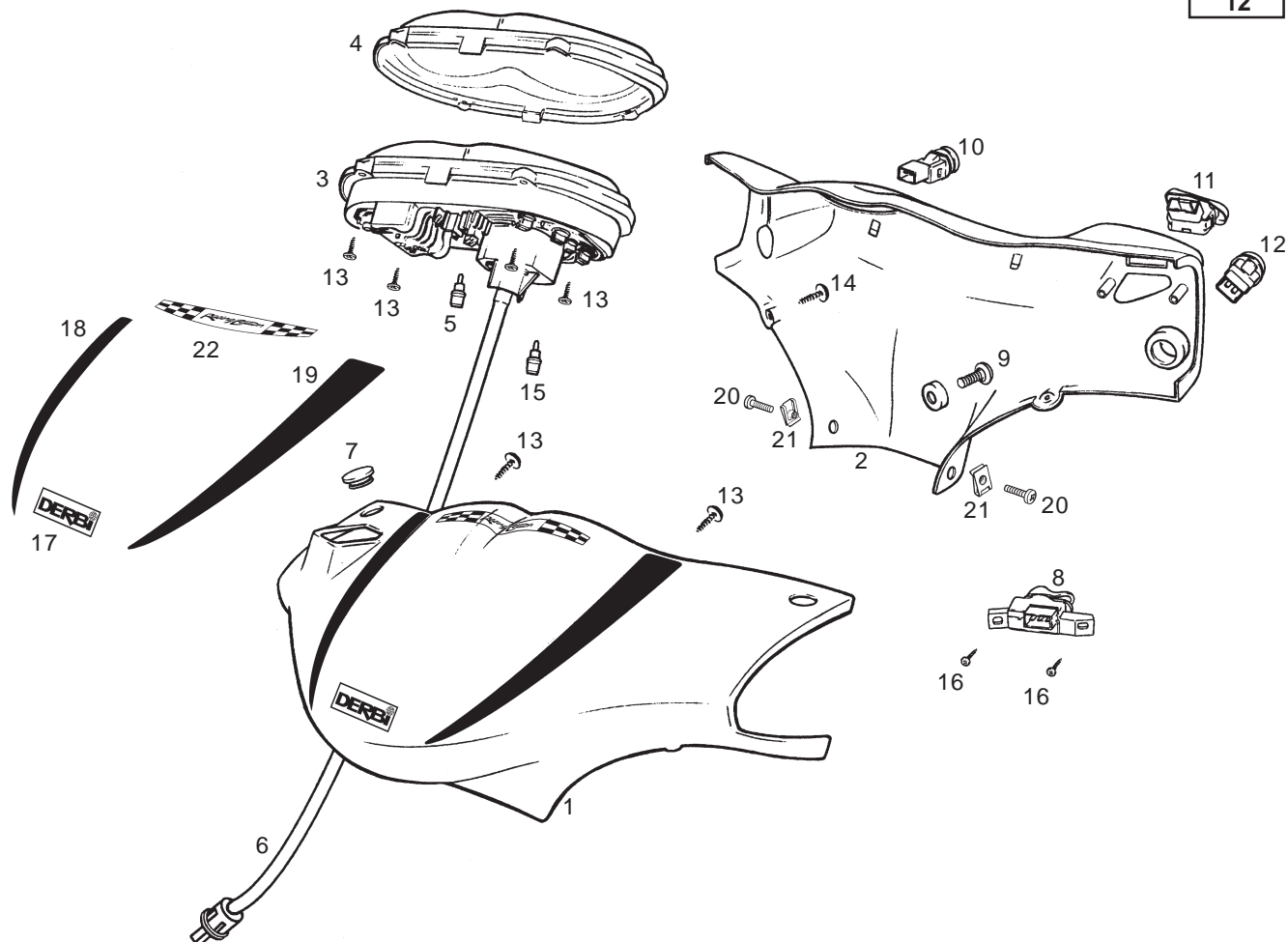
Figr.	Vers.	COD.	DESCRIPCIÓN / DENOMINAZIONE	DESIGNATION	MOD.	Nº CHASIS Nº TELAIO FRAME NUM.
28A		00G04600371	CALCA EU APPROVAL ADESIVO EU APPROVAL	DECAL EU APPROVAL	3 4	
29A		00G04907501	CALCA ADESIVO	DECAL	1 2 3 4	
30A		00G04612091	CALCA INF. DR.ESC.FR. ATL'01 RED ADESIVO	DECAL	2 4	
31A		00G04603561	CALCA INF. IZ.ESC.FR. ATL'01 RED ADESIVO	DECAL	2 4	
32A		00G04613121	CALCA ANT.ESC.FR.ATL'01 RB ADESIVO	DECAL	2 4	
33A		00G05902911	TAPA MALETA ATLANTIS COPERCHIO COFANETTO	LUGGAGE BOX COVER	2 4	
34A		00G05902621	JUNTA TAPA MALETA GUARNIZ. COPERCHIO COFANETTO	LUGGAGE BOX COVER SEAL	2 4	
35A		00G04601871	CTO. CERRADURA MALETA SERRATURA	LOCK ASSY	2 4	



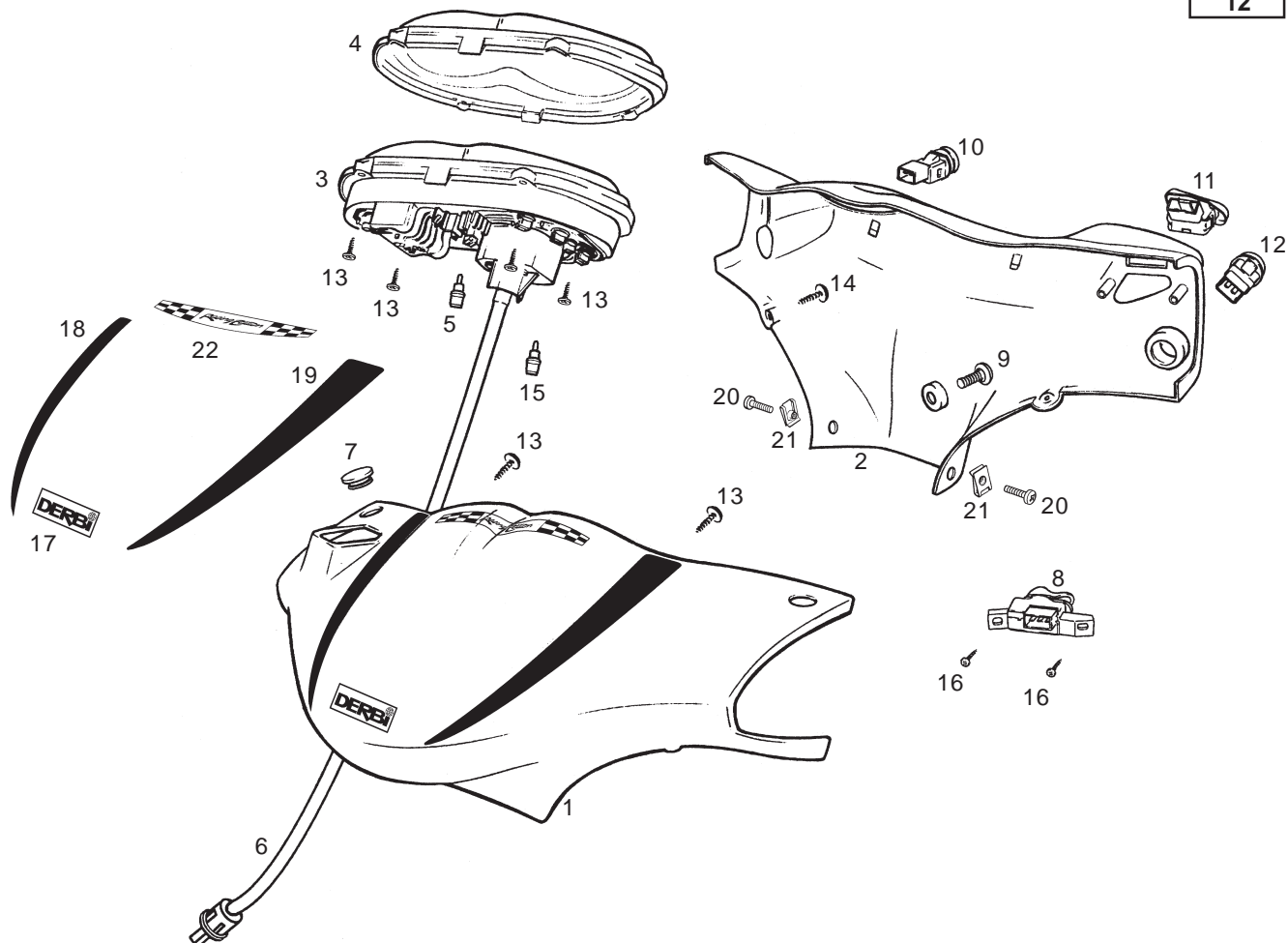
Figr.	Vers.	COD.	DESCRIPCIÓN / DENOMINAZIONE	DESIGNATION	MOD.	Nº CHASIS Nº TELAIO FRAME NUM.
01A		00G06800586	R-SCTO.CUERPO INF.SILL.RJ.PIRO. CORPO INFERIORE SELLA	LOWER SADDLE BASE	1 2 3 4	
02A		00G00502705	R-SCTO.TAPA LAT.IZ.RJ.PIR. R-SUBCOMPL. COPERCHIO LATER	LH SIDE COVER SUB/ASSY	1 3	
02B		00G00514701	R-SCTO.TAPA LAT.IZ.RJ.PIR. R-SUBCOMPL. COPERCHIO LATER	LH SIDE COVER SUB/ASSY	2 4	
03A		00G00502695	R-SCTO.TAPA LAT.DR.RJ.PIR. R-SUBCOMPL. COPERCHIO LATE	RIGHT-HAND SIDE COVER	1 3	
03B		00G00514691	R-SCTO.TAPA LAT.DR.RJ.PIR. R-SUBCOMPL. COPERCHIO LATE	RIGHT-HAND SIDE COVER	2 4	
04A		00G00702141	GUARDAB.TR.PREDATOR PARAFANGO POSTERIORE	REAR MUDGUARD PREDATOR	1 2 3 4	
05A		00F00700381	SUPLEMTO.ANT.GUARDAB.TR.ST.A.E SUPPLEMENTO ANTERIORE PARAFANG	SUPPLEM. REAR MUDGUARD,V.START	1 2 3 4	
06A		00G04403752	CATADIOPTRICOS ROJO.ATLANTIS CATARIFRANGENTI LATERALI	REFLECTOR	1 2 3 4	
07A		00G01507861	SUPLEMTO.GUARD.TR.ATLANTIS SUPPLEMENTO PARAFANGHI POSTERI	REAR MUDGUARD EXTENSION	1 2 3 4	
08A		00G01819933	CALCA TAPA LAT.DR.ATLANT.RJ.AV ADESIVO	DECAL	1 3	
09A		00D01501371	TCA.FIJ.CUBRECAD.212827 DADO FISSAGGIO	NUT	1 2 3 4	
10A		00012161600	TOR.C/CRUZ.NG.6M100X16.D7985-Z VITE TESTA CROCE NERA	PHILIPS SCREW	1 2 3 4	
11A		00D01200171	ARAND.EJE LEVA-FIJ.CUBRECAD. RONDELLA	WASHER	1 2 3 4	
12A		00D02600631	ARAND.TOPE MUELLE EMBRG.4-6V. RONDELLA FERMO MOLLA FRIZIONE	CLUTCH SPRING STOP WASHER	1 2 3 4	
13A		00000023040	TCA.AUTOBLOC. 4M70 D985 DADO AUTOBLOCCANTE 4M70	SELF-LOCKING NUT 4M70	1 2 3 4	



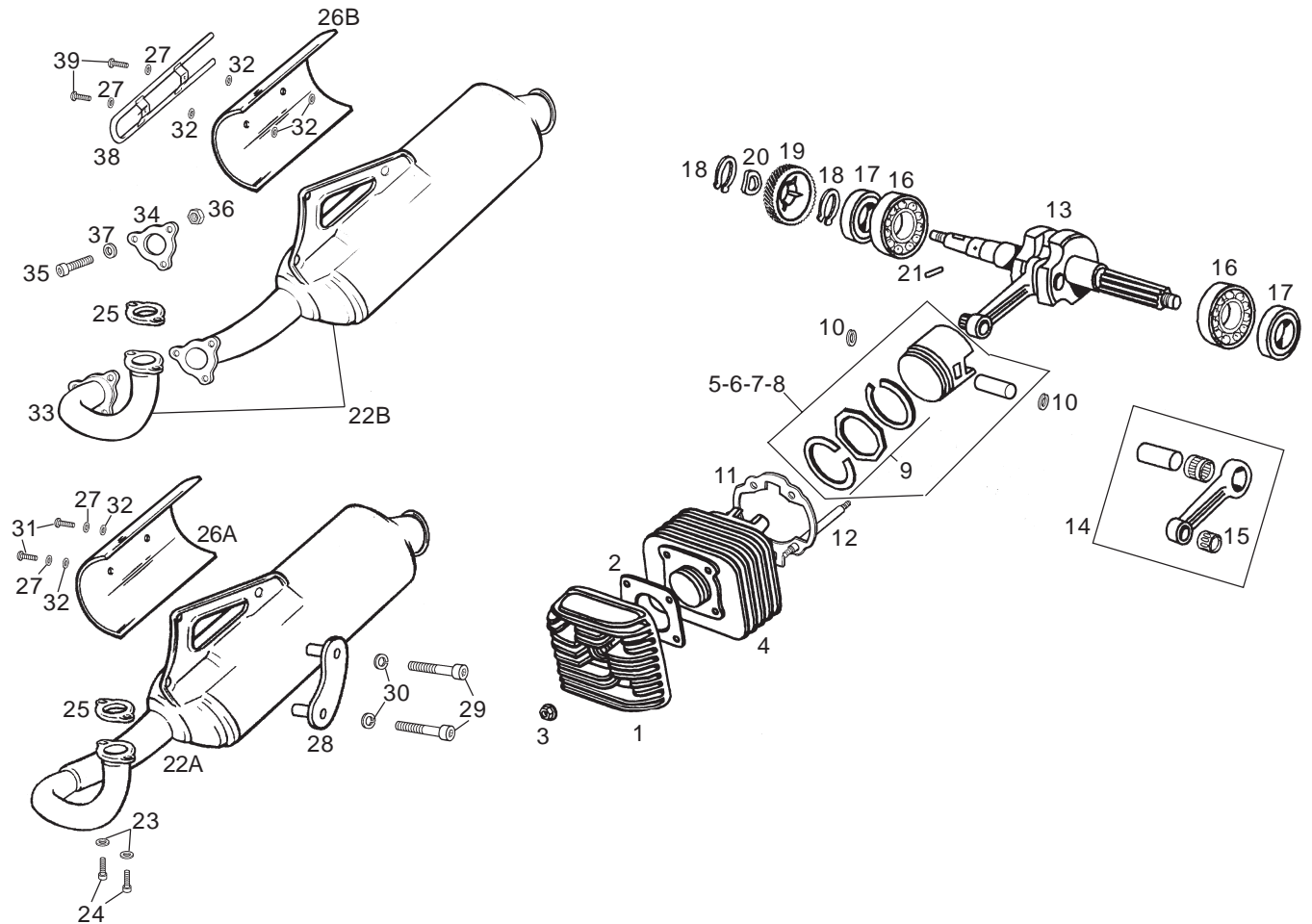
Figr.	Vers.	COD.	DESCRIPCIÓN / DENOMINAZIONE	DESIGNATION	MOD.	Nº CHASIS Nº TELAIO FRAME NUM.
14A		00G04401461	TCA.FIJ.ESCUDO FRONTAL D.5 DADO FISSAGGIO SCUDO FRONTALE	FRONT SHIELD NUT	1 2 3 4	
15A		00H04900231	CALCA DERBI 8 VECES GPR50R ADESIVO DERBI 8	DERBI 8 TIMES TRANSFER GPR 5	1 2 3 4	
16A		00011032501	TOR.AUTRCTE.3,6X25 NG.CL ALH VITE AUTOFILETTANTE 3,6X25	SCREW	1 2 3 4	
17A		00011051801	TOR.AUTRCTE.5,1X18 NG.CL ALH VITE AUTOFILETTANTE 5,1X18	SELF-TAPPING SCREW	1 2 3 4	
18A		00011051601	TOR.AUTRCTE.5X16 NG.CL ALH VITE AUTOFILETTANTE 5X16	SELF-TAPPING SCREW	1 2 3 4	
19A		00012151500	TOR.C/RED.CRUIZ.5M8OX16.D7985NG VITE TESTA TONDA CROCE 5M8OX16	ROUND HD CROSSHD SCREW	1 2 3 4	
20A		00H01500691	TCA.FIJ.CARENADO A SOPTE.D.5 DADO FISSAGGIO CARENATURA	FAIRING SECURING NUT	1 2 3 4	
21A		00F04201361	ARAND.FIJ.PROTECT.SILENC.FURAX RONDELLA FISS.SILENZIATORE	SILENCER SHIELD SECURING WASHE	1 2 3 4	
22A		00000031060	ARAND.PLANA MECANIZ.D.6.DIN125 RONDELLA PIATTA D6	MACHINED FLAT WASHER D6 DIN-12	1 2 3 4	
23A		00G04401481	CALCA UNLEADED FUEL ADESIVO UNLEADED FUEL	DECAL UNLEADED FUEL	1 2 3 4	
24A		00G00700271	CALCA ADESIVO	DECAL	1 2 3 4	
25A		00G04607501	CALCA ADESIVO	DECAL	1 2 3 4	
26A		00G00504651	CALCA TAPA LAT.DR.ATL'01RB. ADESIVO	DECAL	2 4	
27A		00G00502641	CALCA TAPA LAT.IZ.ATL'01RB. ADESIVO	DECAL	2 4	



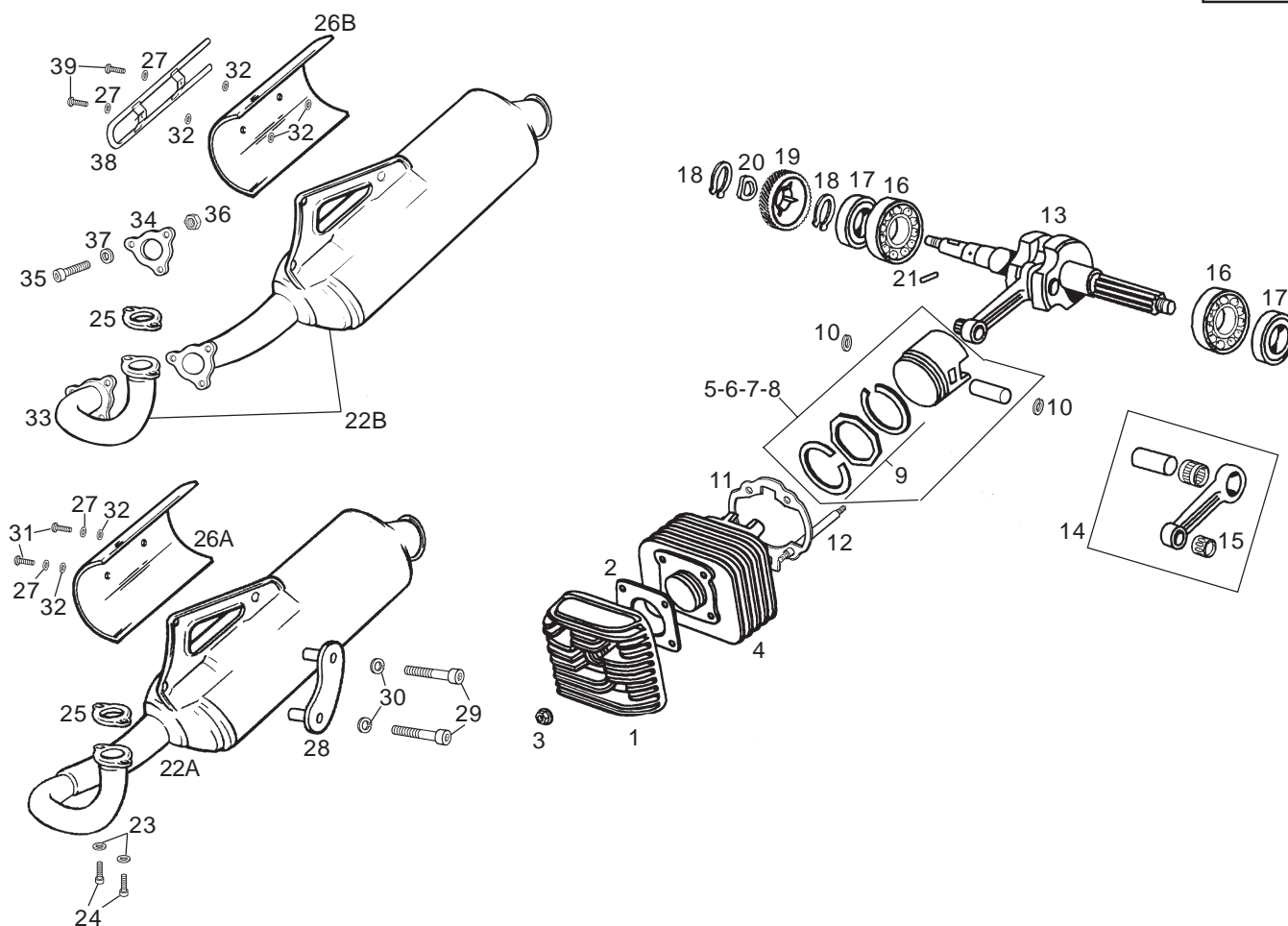
Figr.	Vers.	COD.	DESCRIPCIÓN / DENOMINAZIONE	DESIGNATION	MOD.	Nº CHASIS Nº TELAIO FRAME NUM.
01A		00G01018511	CARCASA ANT.RJ. PIROM.ATL'01 R-SUBCOMPL. CARENATURA ANTE	FRONT BODY PANEL	1 3	
01B		00G02314491	R-CTO.CARCASA ANT.NG. R-SUBCOMPL. CARENATURA ANTE	FRONT BODY PANEL	2 4	
02A		00G01011521	CARCASA POST.N.P.ATLANTIS CARENATURA POSTERIORE	REAR BODY PANEL	1 2 3 4	
03A		00G01620521	CTO.TABL.PORTAINST.ATLANTIS COMPL. CRUSCOTTO	APRON INSTRUMENTATION HOLDER	1 3	
03B		00G01624521	CTO.TABL.PORTAINST.ATLANTIS COMPL. CRUSCOTTO	APRON INSTRUMENTATION HOLDER	2 4	
04A		00G01604071	R-CRISTAL TABLIER C/KMS.ATLANT PROTEZIONE TRASPARENTE	TRANSPARENT PROTECTION	1 2 3 4	
05A		00G01602581	R-CTO.PORTALAMP./LAMP.12V.1,2W PORTALAMPADE	BULB HOLDER AND 12V 1.2W BULB	1 2 3 4	
06A		00G01605021	CTO.CABLE-FDA CTA.KM.ATLANTIS CABLE	CABLE DUCT.KM.COUNTER	1 2 3 4	
07A		00G06303451	TAPON ALOJAMTO.ESPEJO DR.ATLAN ALLOGGIAMENTO SPECCHIO DESTRO	RIGHT CAP	1 2 3 4	
08A		00G01703701	CTO.CONMUT.INTTES.ATLANTIS COMPL.COMMUTATORE INTERMITTENT	SWITCH,TURN.SIGNA LLIGHTS	1 2 3 4	
09A		00G01503701	TOR.FIJ.ESC.FRONTAL HUNTER 5.6 VITE FISSAGGIO SCUDO FRONTALE	FRONT SHIELD SECURING SCREW	1 2 3 4	
10A		00G02101631	CTO.CONMUT.ARRQ.ELECTR.ATLAN COMPL. CPMMUTA.AVVIAM.ELETTOR	SWITCH SPRING HOLDER	1 2 3 4	
11A		00G02303171	CTO.CONMUT.LUCES ATLANTIS COMPL. COMMUTATORE LUCI	LIGHT SWITCH	1 2 3 4	
12A		00G01001811	CTO.PULSADOR CLAXON ATLANTIS COMPLASSO BOTONE CLACSON	HORN,PULSATOR	1 2 3 4	
13A		00011031401	TOR.AUTRCTE.3,6X14 NG.CL ALH VITE AUTOFILETTANTE 3,6X14	SELF-TAPPING SCREW	1 2 3 4	



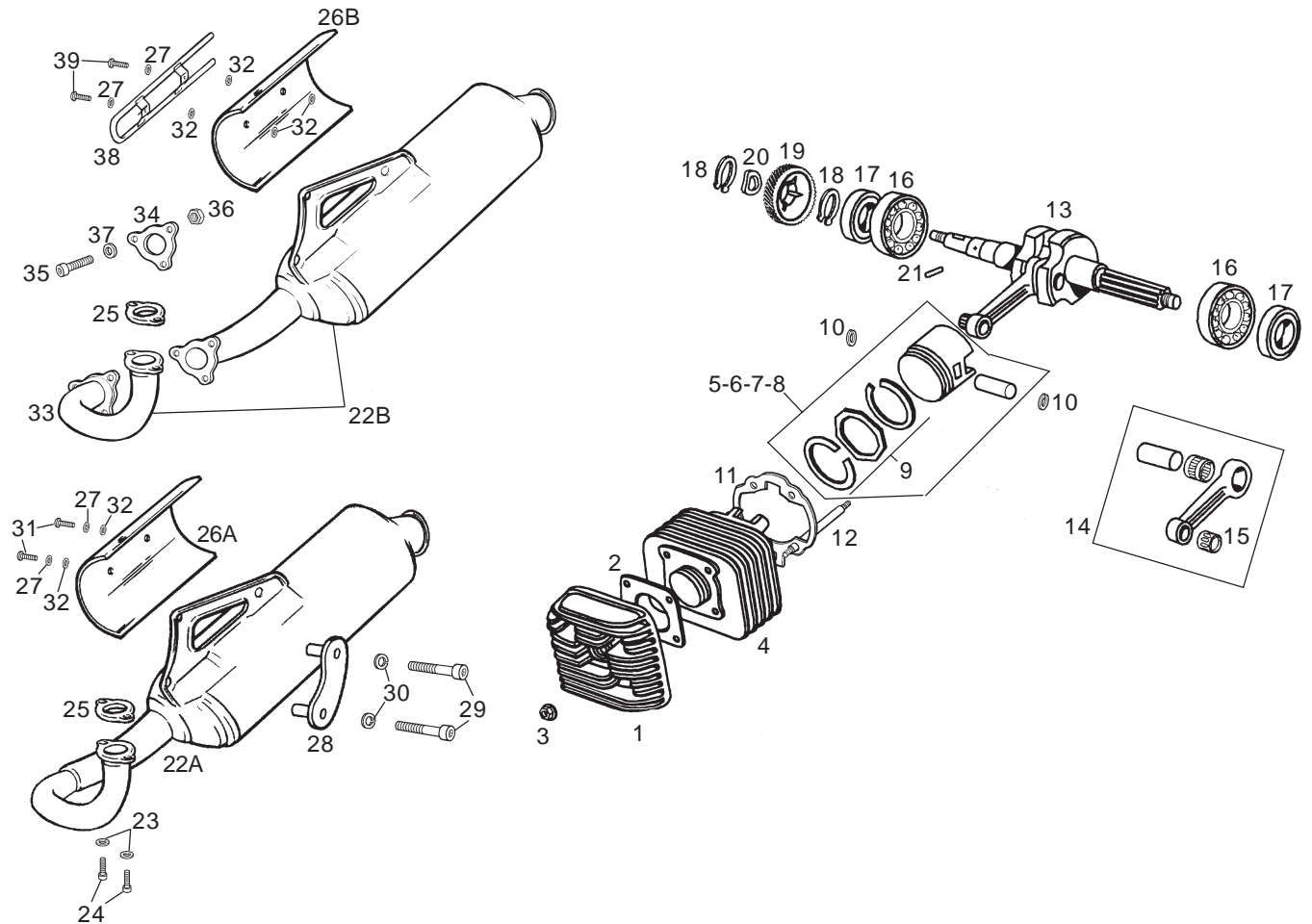
Figr.	Vers.	COD.	DESCRIPCIÓN / DENOMINAZIONE	DESIGNATION	MOD.	Nº CHASIS Nº TELAIO FRAME NUM.
14A		00011031801	TOR.AUTRCTE.3,6X18 NG.CL ALH VITE AUTOFILETTANTE 3,6X18	SCREW	1 2 3 4	
15A		00G01601581	R-CTO.PORTALAMP./LAMP.12V.2W. PORTALAMPADA 12V.	SOCKET,BULB	1 2 3 4	
16A		00011031001	TOR.AUTRCTE.3,6X10 NG.CL ALH VITE AUTOFILETTANTE 3,6X10	SELF-TAPPING SCREW	1 2 3 4	
17A		00F01509781	CALCA ADESIVO	DECAL	1 3	
18A		00G01503251	CALCA ADESIVO	DECAL	1 3	
19A		00G01503331	CALCA ADESIVO	DECAL	1 3	
20A		00008051200	TOR. C/ESF. 5X12 VITE 5X12	SCREW 5X12	1 2 3 4	
21A		00G04401461	TCA.FIJ.ESCUDO FRONTAL D.5 DADO FISSAGGIO SCUDO FRONTALE	FRONT SHIELD NUT	1 2 3 4	
22A		00G01505251	CALCA ADESIVO	DECAL	2 4	



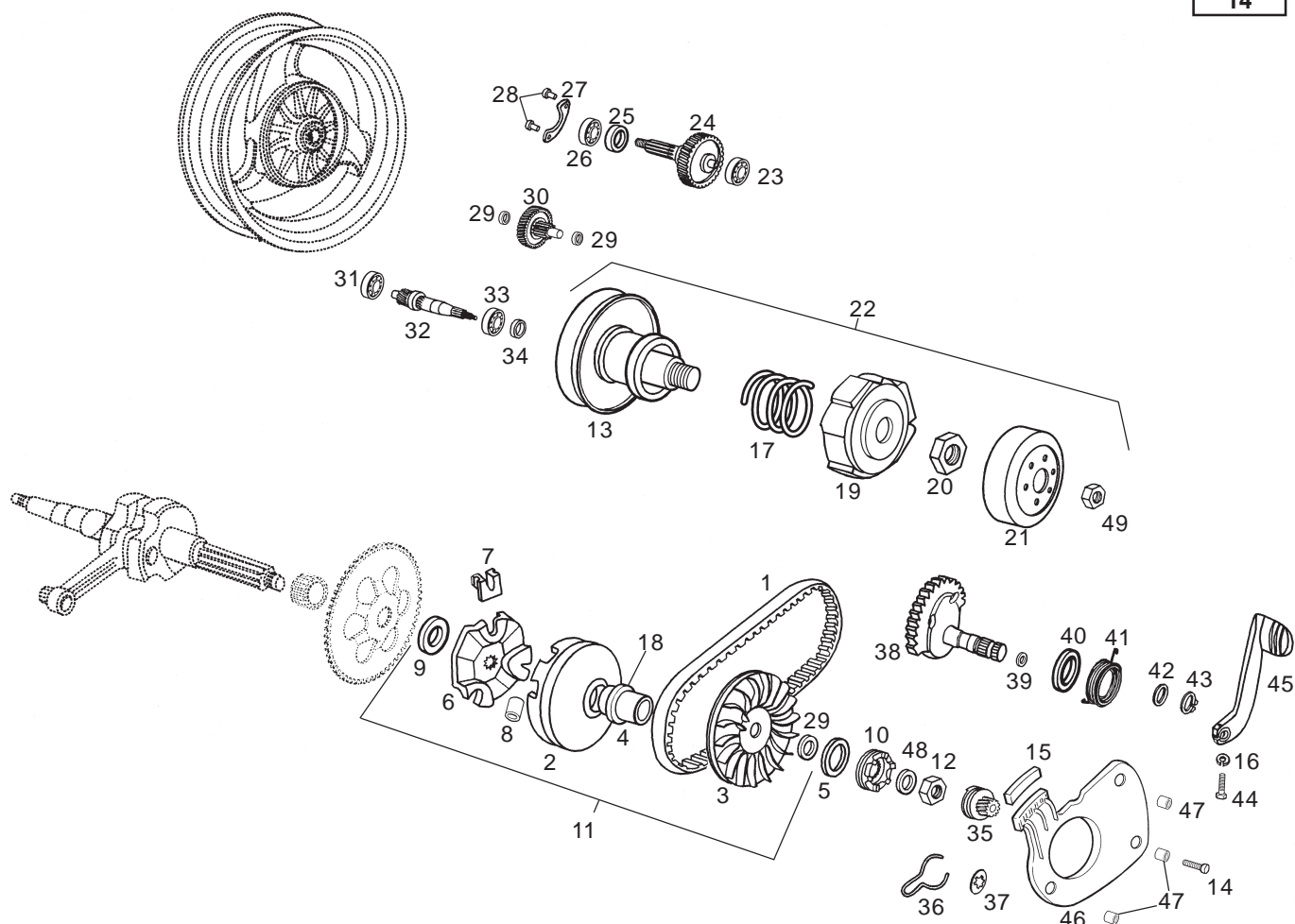
Figr.	Vers.	COD.	DESCRIPCIÓN / DENOMINAZIONE	DESIGNATION	MOD.	Nº CHASIS Nº TELAIO FRAME NUM.
01A		00G02501011	CULATA VAMOS-K TESTATA	CYLINDER HEAD	1 2 3 4	
02A		00G02500021	JUNTA CULATA VAMOS GUARNIZIONE TESTATA VAMOS	CYLINDER HEAD GASKET	1 2 3 4	
03A		00026006002	TCA.EX.C/BRIDA.6M100.D-6923.10 DADO ESTERNO TESTA FLANGIA	HEX NUT WITH FLANGE	1 2 3 4	
04A		00G05014121	R-CTO.CILIND.PISTON PRED-E R-COMPL. CILINDRO-PISTONE	CYLINDER/PISTON ASSY	1 2	
04B		00G05016121	R-CTO.CILIND.PISTON PRED-E R-COMPL. CILINDRO-PISTONE	CYLINDER/PISTON ASSY	3 4	
05A		00G02507091	R-CTO.PISTON (A) PADDOCK PISTONE (A)	PISTON(A)	1 2 3 4	
06A		00G02508091	R-CTO.PISTON (B) PADDOCK PISTONE (B)	PISTON(B)	1 2 3 4	
07A		00G02509091	R-CTO.PISTON (C) PADDOCK PISTONE (C)	PISTON(C)	1 2 3 4	
08A		00G02510091	R-CTO.PISTON (D) PADDOCK PISTONE (D)	PISTON(D)	1 2 3 4	
09A		00G05006101	R-CTO.AROS PISTON PADDOCK SEGMENTI PISTONE	RING, SET, PISTON	1 2 3 4	
10A		00G02501131	R-ANILLO BULON PADDOCK ANELLO SPINOTTO	RING SNAP	1 2 3 4	
11A		00G02501041	JUNTA CILINDRO VAMOS-K GUARNIZIONE BASE CILINDRO	CYLINDER GASKET	1 2 3 4	
12A		00G03002051	ESPARRGO CILINDRO VAMOS-K BULLONE CILINDRO	CYLINDER STUD	1 2 3 4	
13A		00G02502141	CTO.CIGUEÑAL-BIELA.HUNTER ALBERO MOTORE	CRANKSHAFT/CONNECTING ROD ASSY	1 2 3 4	
14A		00G05001011	R-CTO.BIELA.HUNTER BIELLA	CONNECTING ROD ASSY	1 2 3 4	



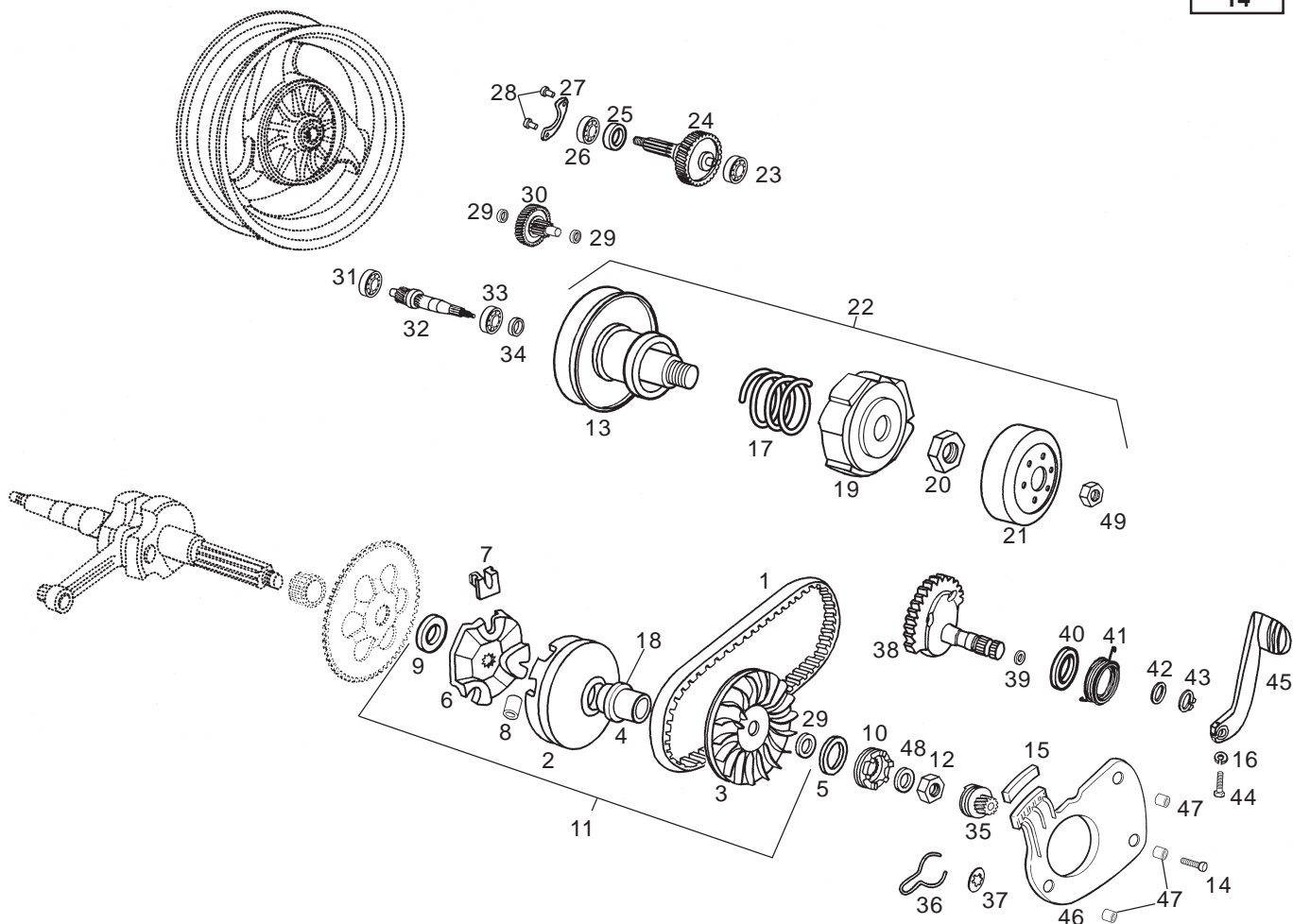
Figr.	Vers.	COD.	DESCRIPCIÓN / DENOMINAZIONE	DESIGNATION	MOD.	Nº CHASIS Nº TELAIO FRAME NUM.
15A		00G02500171	JAULA PIE BIELA VAMOS GABBIA PIEDE BIELLA	CONN ROD BIG END NEEDLE BEARIN	1 2 3 4	
16A		00059220400	COJINETE 6204 PX2 V4 CUSCINETTO 6204 PX2 V4	BEARING	1 2 3 4	
17A		00G02501231	RETEN CIGÑAL.BASL.20X38X7.VM-K GIUNTO ALBERO GOMITO 20X38X7	SEAL, CRANKSHAFT 20X38X7	1 2 3 4	
18A		00000047119	ANILLO SEG.EJES D19.DIN-471. ANELLO SICUREZZA ASSI D19	SHAFT SAFETY CIRCLIP	1 2 3 4	
19A		00G03701101	TOR.MANDO BOMBA ACEITE.VAMOS-K VITE COMANDO POMPA OLIO	OIL PUMP CONTROL SCREW	1 2 3 4	
20A		00G03700631	ARAND.FIJ.TOR.MANDO BOMBA.VM-K RONDELLA	OIL PUMP CTRL SCREW SEC WASHR	1 2 3 4	
21A		00066031200	RODILLO 3X12. RULLO 3X12	ROLLER	1 2 3 4	
22A		00G03429601	SCTO.SILENC/TUBO ESC.ATLANTIS COMPL. TUBO SCAPPAMENTO	EXHAUST PIPE AND MUFFLER ASSY	1 2	
22B		00G03437011	SCTO.SILENC/TUBO ESC.ATLANTIS COMPL. TUBO SCAPPAMENTO	EXHAUST PIPE AND MUFFLER ASSY	3 4	
23A		00000031060	ARAND.PLANA MECANIZ.D.6.DIN125 RONDELLA PIATTA D6	MACHINED FLAT WASHER D6 DIN-12	1 2 3 4	
24A		00000004620	TOR.C/ALLEN.6M100X20.D-912/8.8 VITE TESTA ALLEN 6M100x20.D-91	ALLEN SCREW M6X20	1 2 3 4	
25A		00G03400041	JUNTA TUBO ESCAPE. GUARNIZIONE SCARICO	EXHAUST GASKET	1 2 3 4	
26A		00G01813392	PROTECTOR SILENC.ATLANTIS PROTEZIONE SILENZIATORE	SILENCER SHIELD	1 2	
26B		00G01814391	PROTECTOR SILENC.ATLANTIS PROTEZIONE SILENZIATORE	SILENCER SHIELD	3 4	
27A		00D02600631	ARAND.TOPE MUELLE EMBRG.4-6V. RONDELLA FERMO MOLLA FRIZIONE	CLUTCH SPRING STOP WASHER	1 2 3 4	



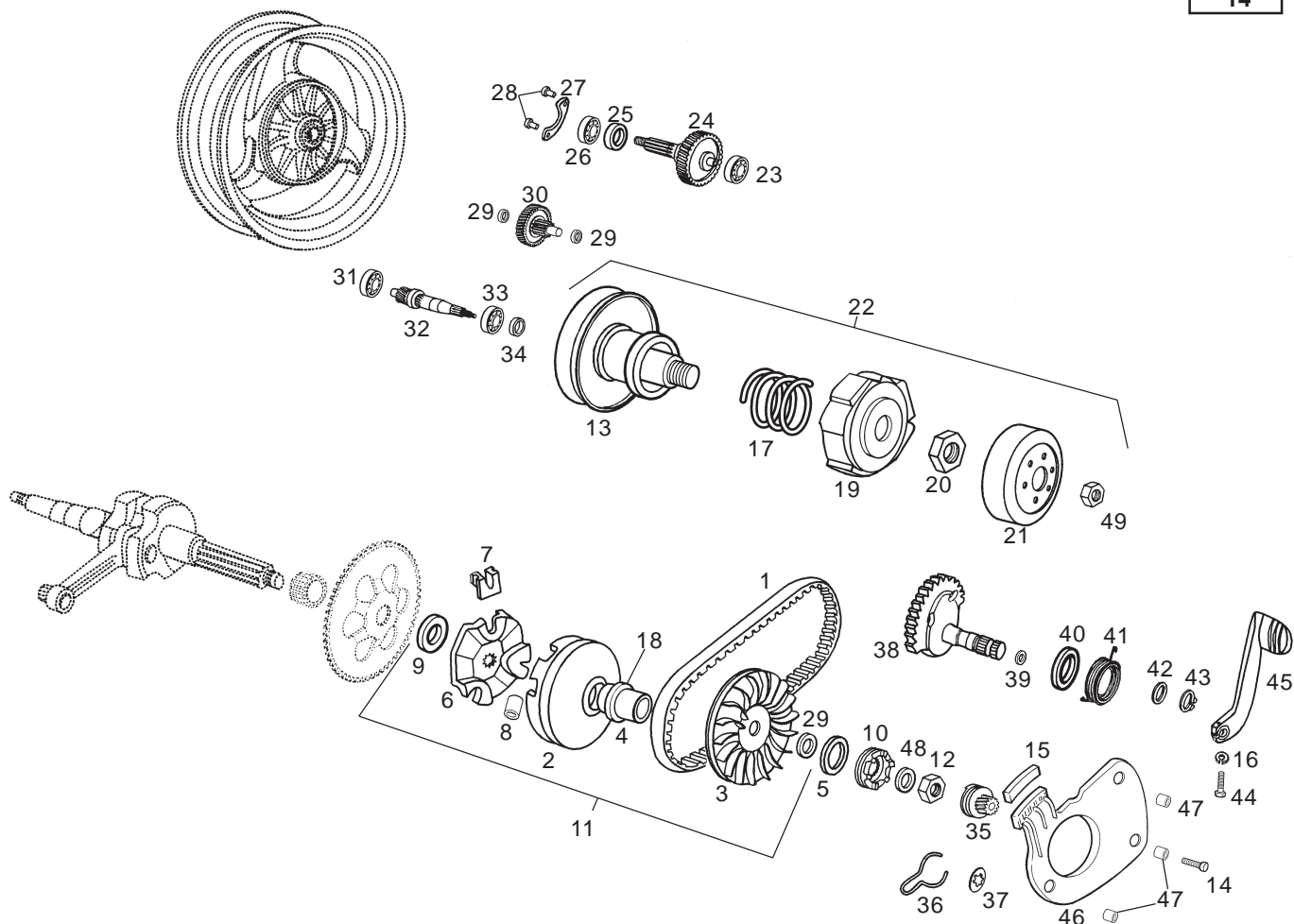
Figr.	Vers.	COD.	DESCRIPCIÓN / DENOMINAZIONE	DESIGNATION	MOD.	Nº CHASIS Nº TELAIO FRAME NUM.
28A		00G04200641	SCTO.CART.INT.SOPTE.SIL.HUN'97 NERVATURA INTERIORE SUPPORTO S	INNER SILENCER BRACKET	1 2 3 4	
29A		00004006500	TOR.C/ALLEN 10M150X65 10.9D912 VITE TESTA ALLEN 10M150X65	ALLEN SCREW 10M150X65	1 2 3 4	
30A		00000033100	ARAND.MUELLE. D.10.DIN-127-B. RONDELLA MOLLA D.10 DIN-127-B	SPRING WASHER D.10 DIN-127-B	1 2 3 4	
31A		00012151500	TOR.C/RED.CRUIZ.5M80X16.D7985NG VITE TESTA TONDA CROCE 5M80X16	ROUND HD CROSSHD SCREW	1 2	
32A		00F04201361	ARAND.FIJ.PROTECT.SILENC.FURAX RONDELLA FISS.SILENZIATORE	SILENCER SHIELD SECURING WASHE	1 2 3 4	
33A		00G03437011	SCTO.TUBO ESC.ATLANTIS TUBO SCAPPAMENTO	EXHAUST PIPE AND MUFFLER ASSY	3 4	
34A		00G03400321	JUNTA FIJ.SILENCIOSO HUNTER GUARNIZIONE FISSAGGIO MARMITTA	SILENCER SECURING GASKET	3 4	
35A		00G05001061	TOR.FIJ.BOQ.CARBUR.HUNT.(6X20) VITE ATTACCO CARBURATORE	EXHAUT PIPE AND MUFFLER ASSY	3 4	
36A		00026006001	TCA.EX.C/BRIDA.6M100.DIN-6927. VITE ESAGONALE CON FLANGIA 6M1	HEX NUT WITH FLANGE	3 4	
37A		00000033060	ARAND.MUELLE. D.6.DIN-127-B. RONDELLA MOLLA D.6	SPRING WASHER D6	3 4	
38A		00G03400891	SCTO.VARILLA PROTECCION SILENCIOSO ASTA PROTEZIONE SILENZIOSO	SILENCER PROTECTOR BAR	3 4	
39A		00000012420	TOR.C/RED.CRUIZ 4M70X20 D7985NG VITE TESTA TONDA CROCE 4M70X20	ROUNDHEAD PHILIPS SCREW 4MM-7	3 4	



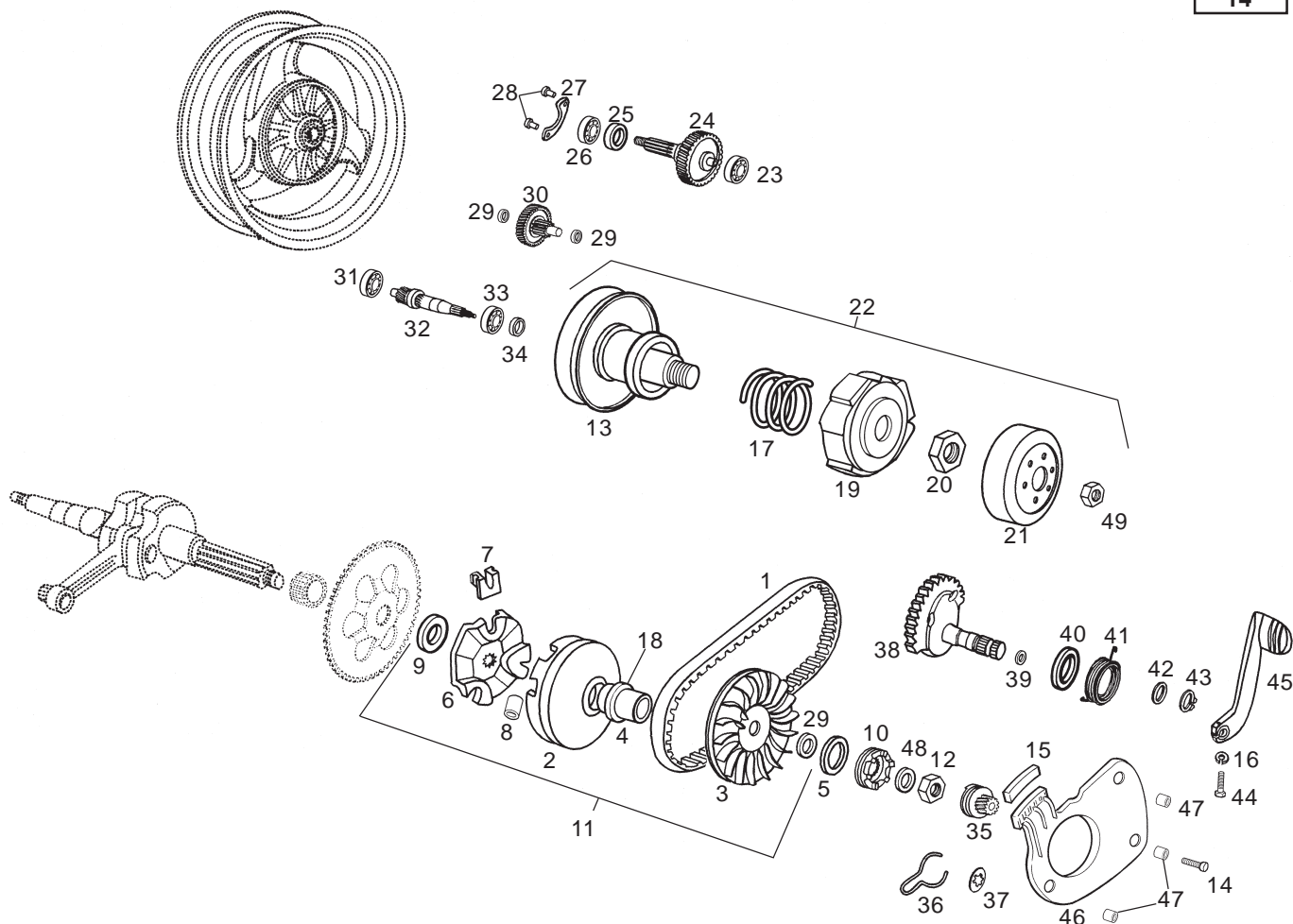
Figr.	Vers.	COD.	DESCRIPCIÓN / DENOMINAZIONE	DESIGNATION	MOD.	Nº CHASIS Nº TELAIO FRAME NUM.
01A		00G02605371	CORREA VARIADOR PREDATOR CINGHIA VARIATORE	DRIVE BELT	1 2 3 4	
02A		00G02605461	SCTO.CAMPANA DESLIZ.MASAS.ATLA SEMIPULEGGIA ANTERIORE	WEIGHTS DISPLACEMENT PULLEY	1 2 3 4	
03A		00G02605381	POLEA MOTRIZ ATLANTIS PULEGGIA MOTRICE	DRIVE PULLEY	1 2 3 4	
04A		00G03603651	CASQ.BUJE CAMPANA DESLIZ. DISTALZIALE	BUSHING	1 2	
04B		00G03604651	CASQ.BUJE CAMPANA DESLIZ. DISTALZIALE	BUSHING	3 4	
05A		00G02902091	ARAND.ARRASTRE POLEA MOTR.VECO RONDELLA TRAINO PULEGGIA MOTRI	WASHER	1 2	
05B		00G01302191	ARAND.ARRASTRE POLEA MOTR.VECO RONDELLA TRAINO PULEGGIA MOTRI	WASHER	3 4	
06A		00G02604831	PLACA DESLIZ.MASAS.VECOS PIATTO CONTRASTO RULLI	WEIGHT COVER	1 2 3 4	
07A		00G03603091	GUIA PLACA DESLIZAM.MASAS VECO PATTINO DI TRASCINAMENTO	WEIGHT COVER GUIDE	1 2 3 4	
08A		00G03614111	SCTO.ROD.MASAS CENT.ATLANTIS ASSIEME RULLINO	WEIGHT ROLLER SUB-ASSY	1 2	
08B		00G03612111	SCTO.ROD.MASAS CENT.ATLANTIS ASSIEME RULLINO	WEIGHT ROLLER SUB-ASSY	3 4	
09A		00G02901091	ARAND.ARRASTRE POLEA MOTR.VECO RONDELLA	WASHER	1 2 3 4	
10A		00G02900271	CAZLTA.ARRQ.VAMOS-K. SCODELLINO AVVIAMENTO	STARTER BOSS	1 2 3 4	
11A		00G03611611	CTO.VARIADOR ANTERIOR ATLANTIS VARIATORE ANT.	VARIATOR TRANSMISSION	1 2	
11B		00G03613611	CTO.VARIADOR ANTERIOR ATLANTIS VARIATORE ANT.	VARIATOR TRANSMISSION	3 4	



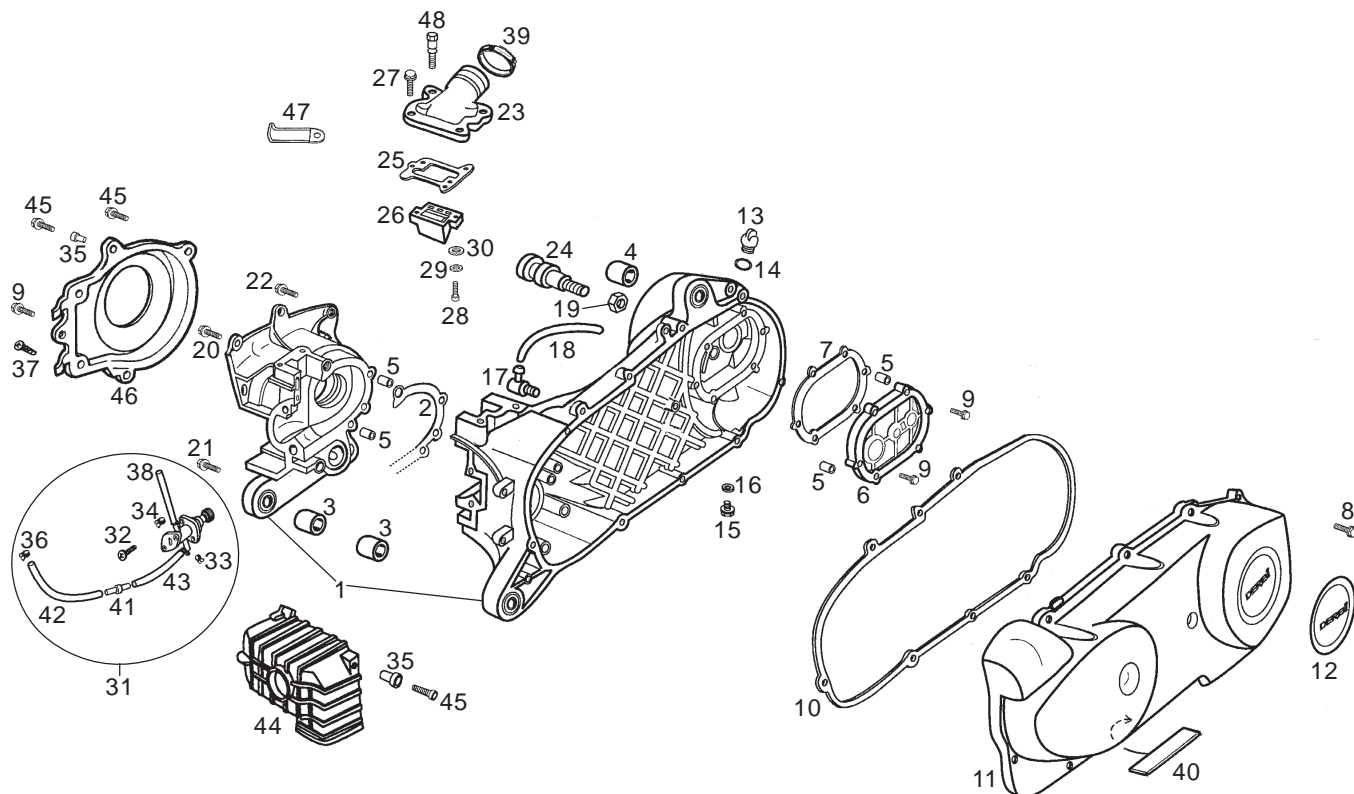
Figr.	Vers.	COD.	DESCRIPCIÓN / DENOMINAZIONE	DESIGNATION	MOD.	Nº CHASIS Nº TELAIO FRAME NUM.
12A		00021010002	TCA.C/BASE M.10M125.D-6923.C10 DADO CAMPANA	FLANGED NUT	1 2 3 4	
13A		00G03604981	CTO.POLEAS VAR.TR.ATLANTIS ASSEME PULEGGE CONDOTTE	DRIVEN SHEAVE ASSY	1 2 3 4	
14A		00004161200	TOR.C/ALLEN.6M100X12.DIN-7984. VITE TESTA ALLEN 6M100X12	ALLEN SCREW 6M100X12	1 2 3 4	
15A		00G06401121	ESPUMA FILTRO VARIADOR G2B ESPANSO FILTRO VARIATORE	FILTER	1 2 3 4	
16A		00000033060	ARAND.MUELLE. D.6.DIN-127-B. RONDELLA MOLLA D.6	SPRING WASHER D6	1 2 3 4	
17A		00G02604211	MUELLE VARIADOR VECOS MOLLA VARIATORE	SPRING	1 2 3 4	
18A		00G03606191	ARAND.LIMIT.VELOC.PADD.L.C.FR. RONDELLA	WASHER	3 4	
19A		00G02606821	CTO.PLACA MORD.EMBRAG.VECOS PIASTRA FRIZIONE	CLUTCH FRICTION PLATE ASSY	1 2 3 4	
20A		00G02602401	TCA.VARIADOR EMBRAGUE.VECOS DADO CAMPANA	NUT	1 2 3 4	
21A		00G03604081	SCTO.CAMPANA EMBRAG.VECOS CAMPANA FRIZIONE	CLUTCH HUB SUB-ASSY	1 2 3 4	
22A		00G03607561	CTO.VARIADOR POSTERIOR ATLANTI VARIATORE POST.	VARIATOR CLUTCH	1 2 3 4	
23A		00057120300	COJINETE 6203-C3 17.40.12 NACH CUSCINETTO 6203-C3 17x40x12	BEARING 6203 C-3 17.40.12	1 2 3 4	
24A		00G04005641	SCTO.EJE RUEDA REDUCT.PDD.L.C. SUBCOMPL. ASSE RUOTA POSTE.	REDUCTION GEAR SHAFT SUB-ASSY	1 2 3 4	
25A		00G02401381	RETEN EJE RUEDA TR.VAMOS K ANELLO TENUTA ASSE RUOTA POST.	REAR SHAFT SEAL	1 2 3 4	
26A		00058020401	COJINETE 6204 20X47X14 2RS CUSCINETTO 6204 20X47X14 2RS	BEARING 20X47X14 2RSR	1 2 3 4	



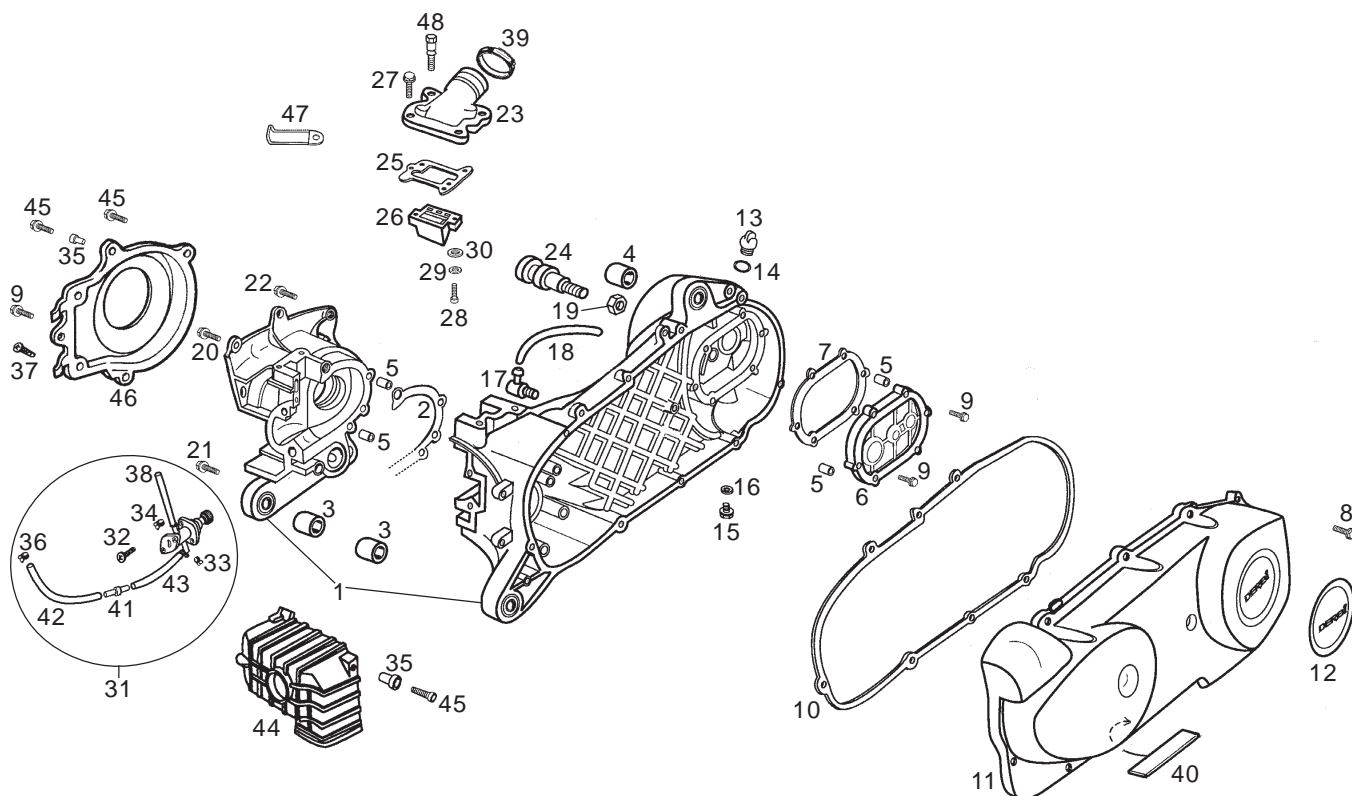
Figr.	Vers.	COD.	DESCRIPCIÓN / DENOMINAZIONE	DESIGNATION	MOD.	Nº CHASIS Nº TELAIO FRAME NUM.
27A		00G02801901	PRECTO.COJNTE.EJE POLEA REDUCT. PIASOLINA FISSAGGIO CUSCINETTO	REDUCER PULLEY SHAFT BEARING L	1 2 3 4	
28A		00000013616	TOR.AV.ALL.6M100X16.NGR.D-7991 VITE INCASSATA ALLEN 6M100X16	COUNTERSUNK ALLEN SCREW 6M100X	1 2 3 4	
29A		00006128280	ARAND.COJNTE.ROD.DCH. RONDELLA	WASHER	1 2 3 4	
30A		00G04003281	SCTO.EJE INTERM.REDUCT.PADD.LC ALBERO INTERMEDIO RIDUTTORE	INTERMEDIATE REDUCTION SHAFT S	1 2 3 4	
31A		00057020100	COJINETE 6201 12X32X10 C3 CUSCINETTO 6201 12X32X10	BEARING 6201.C3.12X32X10	1 2 3 4	
32A		00G02802291	SCTO.EJE POLEAS PADD.L.C. ALBERO ENTRATA	PULLEY SHAFT SUB-ASSY	1 2 3 4	
33A		00057020400	COJINETE 6204 C3 20-47-14 CUSCINETTO 6204 C3 20X47X14	BEARING, CRANK 6204C3 20X47X14	1 2 3 4	
34A		00G02802471	RETEN EJE POLEAS HUNTER ANELLO TENUTA	PULLEY SHAFT SEAL	1 2 3 4	
35A		00G02900651	SCTO.PIÑON DESPLAZ.ARRQ.VAM-K. PIGNONE	STARTER SLIDER PINION SUB-ASSY	1 2 3 4	
36A		00G02901281	MUELLE RETENC.ARRQUE.VAMOS-K MOLLA TENUTA AVVIAMENTO	STARTER RETAINING SPRING	1 2 3 4	
37A		00F02900051	ARAND.RETENC.MUELLE ARRQ.URBAN RONDELLA TENUTA MOLLA AVVIAMEN	STARTER SPRING RETAINING WASHE	1 2 3 4	
38A		00G02903011	SCTO.EJE ARRANQUE HUNTER ALBERO MESSA IN MOTO	STARTER SHAFT SUB-ASSY	1 2 3 4	
39A		00F02900711	ANILLO TORICO EJE ARRANQ.URBAN ANELLO DI TENUTA	STARTER SHAFT O-RING	1 2 3 4	
40A		00G02900051	CASQ.TOPE SECTOR ARRQ.VAMOS-K GHIERA FERMO SETTORE AVVIAMENT	STARTER MECHANISM STOP BUSH	1 2 3 4	
41A		00G02901041	R-MUELLE ARRQ. MOLLA AVVIAMENTO	SPRING, STARTER RETURN	1 2 3 4	



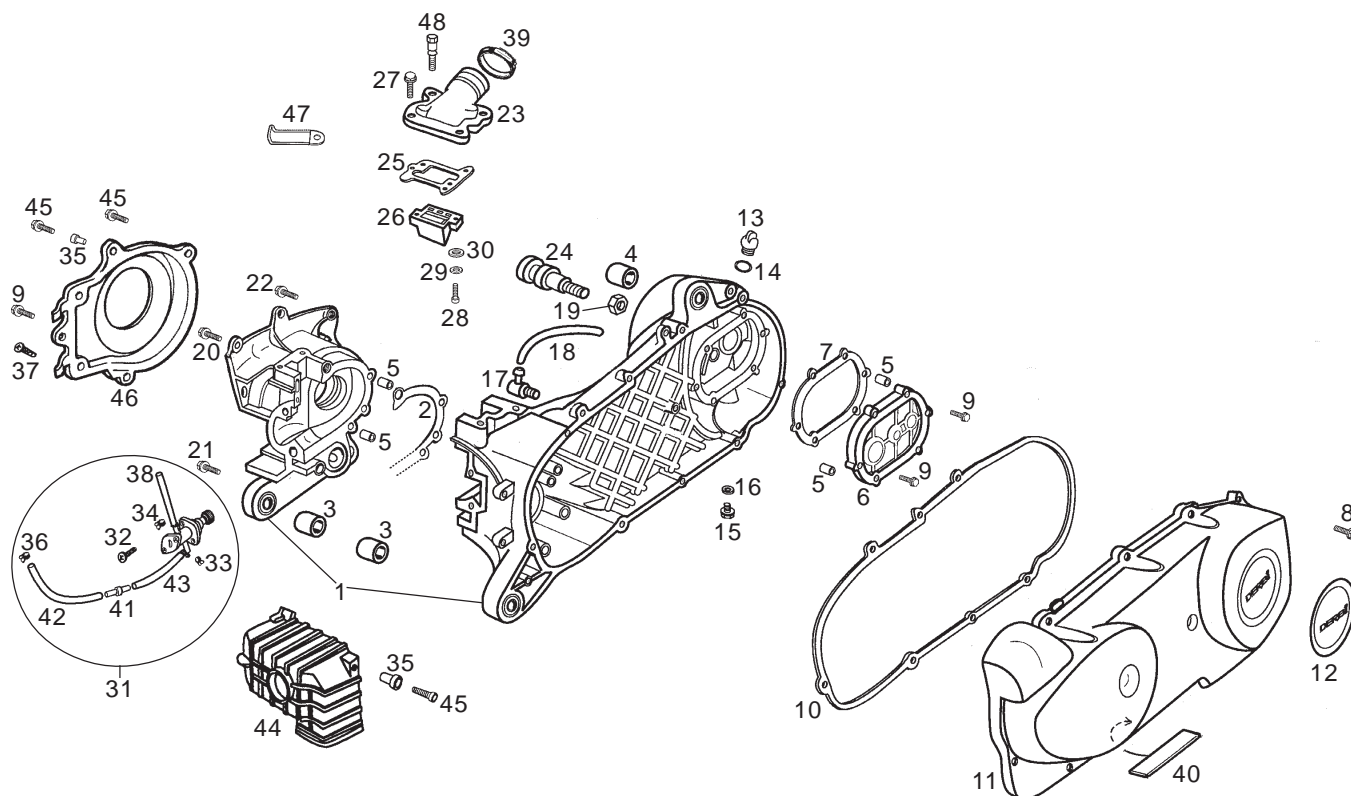
Figr.	Vers.	COD.	DESCRIPCIÓN / DENOMINAZIONE	DESIGNATION	MOD.	Nº CHASIS Nº TELAIO FRAME NUM.
42A		00G02900661	ARAND.REGLEJE ARRQ.VAMOS-K. RONDELLA REGOLAZIONE ALBERO	STARTER SHAFT SHIM WASHER	1 2 3 4	
43A		00000047114	ANILLO SEG.EJES D14.DIN-471. ANELLO SICUREZZA ASSI D14	CIRCLIP D14	1 2 3 4	
44A		00F05900091	TOR.C/ALL.6M100X16.D912/8.8 NG VITE TESTA ALLEN 6M100X16.D912	ALLEN SCREW M6X16	1 2 3 4	
45A		00G02902422	R-CTO.PALANCA ARRQ.GR.ZIRCON. LEVA AVVIAMENTO	KICK START LEVER ASSY	1 2 3 4	
46A		00G02900171	CTO.PLACA PROTECC.ARRQ.HUNTER PIASTRA PROTEZIONE	STARTER COVER PLATE AND BUSH	1 2 3 4	
47A		00H06300281	CASQ.FIJ.PROT.INTERR.ROTAT. GHIERA FISSAGGIO PROTEZIONE	ROTATION SWITCH PROTECTOR SECU	1 2 3 4	
48A		00G02601651	ARANDELA RONDELLA	WASHER	1 2 3 4	
49A		00026010000	TCA.C/BASE M.10M125.D-6923.C10 DADO CAMPANA	FLANGED NUT	1 2 3 4	



Figr.	Vers.	COD.	DESCRIPCIÓN / DENOMINAZIONE	DESIGNATION	MOD.	Nº CHASIS Nº TELAIO FRAME NUM.
01A		00G03009631	CTO.CARTERS PREDATOR-E CARTER COMPLETO	CRANKCASE ASSY	1 2 3 4	
02A		00G03001031	JUNTA CARTERS.VAMOS-K. GUARNIZIONE CARTER	CRANKCASE GASKET	1 2 3 4	
03A		00G02201711	SCTO.SILENTB.FIJ.MOTOR.VAMOS-K SILENTBLOCK ATTACO MOTORE	ENGINE MOUNT BUSHINGS SUB-ASSY	1 2 3 4	
04A		00G01800141	SCTO.SILENTB.AMORTIGD. SILENTBLOCK ATTACO AMMORTIZZAT	SHOCK ABSORBER MOUNT BUSHING	1 2 3 4	
05A		00G03001021	CENTRADOR CARTERS.VAMOS-K. BOCCOLA	CRANKCASE LOCATOR	1 2 3 4	
06A		00G03002331	TAPA REDUCTOR HUNTER COPERCHIO RIDUTTORE	CRANKCASE COVER	1 2 3 4	
07A		00G06401031	JUNTA TAPA REDUCTOR.VAMOS-K. GUARNIZIONE COPERCHIO RIDUTTOR	CRANKCASE COVER GASKET	1 2 3 4	
08A		00G03900821	TOR.FIJ.PLAT.MOT.ARR.HUNT.6X30 VITE PIATTO MOTORINO AVVIAMEN	STARTER MOTOR SUPPORT PLATE SE	1 2 3 4	
09A		00G03000211	TOR.FIJ.TAPA CART.IZ.HUNT.6X25 VITE	LEFT CRANKCASE COVER SECURING	1 2 3 4	
10A		00G03001321	JUNTA TAPA CARTER IZQ.HUNTER GUARNIZIONE COPERCHIO CARTER	LEFT CRANKCASE COVER GASKET	1 2 3 4	
11A		00G06401065	R-SCTO.TAPA CARTER IZ.C/EJE COPERCHIO CARTER	LH CRNKCASE CVR SUB/ASS W/SHAF	1 2 3 4	
12A		00G04401991	PLACA DERBI TAPA CARTER IZ.HUN PIASTRINA COPERCHIO CARTER	LEFT CRANKCASE COVER DERBI SHI	1 2 3 4	
13A		00G03000081	TOR.LLENADO ACEITE.VAMOS-K. VITE RIEMPIMENTO OLIO	OIL FILLER CAP	1 2 3 4	
14A		00G03000621	ANILLO TORICO TOR.LLENADO ACTE ANELLO VITE RIEMPIMENTO OLIO	OIL FILLER CAP O-RING	1 2 3 4	
15A		00G03000131	TOR.VACDO.ACTE.8M125X16.D-6921 VITE SVUOTAMENTO OLIO 8M125X16	OIL DRAIN PLUG	1 2 3 4	



Figr.	Vers.	COD.	DESCRIPCIÓN / DENOMINAZIONE	DESIGNATION	MOD.	Nº CHASIS Nº TELAIO FRAME NUM.
16A		00G03000121	ARAND.VACDO.ACEITE.VAMOS-K. RONDELLA SVUOTAMENTO OLIO	OIL DRAIN PLUG WASHER	1 2 3 4	
17A		00G03000601	RACORD SALIDA GASES CARTER. RACCORDO USCITA GAS CARTER	CRANKCASE BREATHER TUBE CONNEC	1 2 3 4	
18A		00G03000651	TUBO SALIDA GASES CARTER HUNT. TUBO USCITA GAS CARTER	ENGINE BREATHER TUBE	1 2 3 4	
19A		00023108000	TCA.AUTOBLOC. 8M125.DIN-985.8 DADO AUTOBLOCCANTE 8M125	SELF-LOCKING NUT M8	1 2 3 4	
20A		00G03001091	TOR.FIJ.CARTERS.(6X35)HUNTER VITE FISSAGGIO CARTER (6X35)	CRANKCASE SECURING SCREW	1 2 3 4	
21A		00G03002091	TOR.FIJ.CARTERS.(6X40)HUNTER VITE FISSAGGIO CARTER (6X40)	CRANKCASE SECURING SCREW	1 2 3 4	
22A		00G03003091	TOR.FIJ.CARTERS.(6X55)HUNTER VITE FISSAGGIO CARTER (6X50)	CRANKCASE SECURING SCREW	1 2 3 4	
23A		00G02500061	BOQUILLA CARBURADOR HUNTER ATTACCO CARBURATORE	INTAKE MANIFOLD W/REED VALVE	1 2 3 4	
24A		00G01200151	EJE GIRO MORDAZAS. ASSE GIRO GANASCE	BRAKE SHOE SHAFT	1 2 3 4	
25A		00G02501051	JUNTA BOQ.CARBUR.VAMOS-K GUARNIZIONE ATTACCO CARBURATOR	INLET MANIFOLD GASKET	1 2 3 4	
26A		00G02501641	CTO.SOPTE.VALV.ADMISION HUNTER VALVOLA LAMELLARE	REED VALVE BRACKET	1 2 3 4	
27A		00G05001061	TOR.FIJ.BOQ.CARBUR.HUNT.(6X20) VITE ATTACCO CARBURATORE	INLET MANIFOLD SECURING SCREW	1 2 3 4	
28A		00000012420	TOR.C/RED.CRUIZ 4M70X20 D7985NG VITE TESTA TONDA CROCE 4M70X20	ROUNDHEAD PHILIPS SCREW 4MM-.7	1 2 3 4	
29A		00000031040	ARAND.PLANA MECANIZ.D.4.NG RONDELLA PIATTA D4	MACHINED FLAT WASHER D4	1 2 3 4	
30A		00000033040	ARAND.MUELLE.D.4.DIN-127-B. RONDELLA MOLLA D4	SPRING WASHER	1 2 3 4	



Figr.	Vers.	COD.	DESCRIPCIÓN / DENOMINAZIONE	DESIGNATION	MOD.	Nº CHASIS Nº TELAIO FRAME NUM.
31A		00G03705021	R-CTO.BOMBA ACEITE ATLANTIS POMPA OLIO COMPLETA	OIL PUMP ASSY	1 2 3 4	
32A		00000012515	TOR.C/RED.CR.BCR.5M80X15.D7985 VITE TONDA CROCE BCR 5M80X15	ROUNDHEAD PHILIPS SCREW 5M80X15	1 2 3 4	
33A		00D03700131	ABRAZ.ELAST.9,8-10,4. FASCETTA ELASTICA 9,8-10,4.	ELASTIC CLAMP	1 2 3 4	
34A		00G03701181	BRIDA FIJ.TUBO ACTE.BOMBA-CARB FLANGIA FISSAGGIO TUBO OLIO	OIL PUMP-CARB OIL PIPE CLAMP	1 2 3 4	
35A		00G03601871	CASQ.FIJ.TURBINA. GHIERA FISSAGGIO VENTOLA	BLOWER SECURING BUSH	1 2 3 4	
36A		00H00400501	ABRAZ.ELAST.TUBO GAS. FASCETTA ELASTICA TUBO BENZINA	FUEL PIPE ELASTIC CLAMP	1 2 3 4	
37A		00011062000	TOR.AUTR.C/CRUZ.6'3X19.D-7981B VITE AUTOFIETTANTE	SELF-TAPPING PHILIPS SCREW 6,3	1 2 3 4	
38A		00G03702121	TUBO ACEITE BOMBA-CARB.HUNTER TUBO OLIO POMPA-CARBURATORE HU	PUMP-CARBURETTOR OIL TUBE	1 2 3 4	
39A		00H03800451	ABRAZ.BOCA LLENADO AGUA. FASCETTA	WATER FILLER INLET CLAMP	1 2 3 4	
40A		00G06400141	PROTECTOR CORREA VARIADOR G2B PROTEZIONE CINGHIA VARIATORE	PROTECTOR	1 2 3 4	
41A		00G03701031	RACORD UNION TUBOS ACTE.PRED RACCORDO UNIONE TUBI OLIO	BREATHER	1 2 3 4	
42A		00G00400781	TUBO GASOLINA FILTRO/CARBURAD. TUBO	TUBE	1 2 3 4	
43A		00G03702221	TUBO ACEITE BOMBA-RACOR HUNTER TUBO OLIO POMPA-RACCORDO	PUMP-CONNECTOR OIL TUBE	1 2 3 4	
44A		00G03001981	CTO.CARCASA ENVOLVTE.CILIND. COMPL. CARCASSA EVOLVENTE C	CYLINDER CASING ASSY	1 2 3 4	
45A		00G03600991	TOR.FIJ.TURBINA HUNTER(6X16) VITE FISSAGGIO VENTOLA (6X16)	BLOWER SECURING SCREW	1 2 3 4	

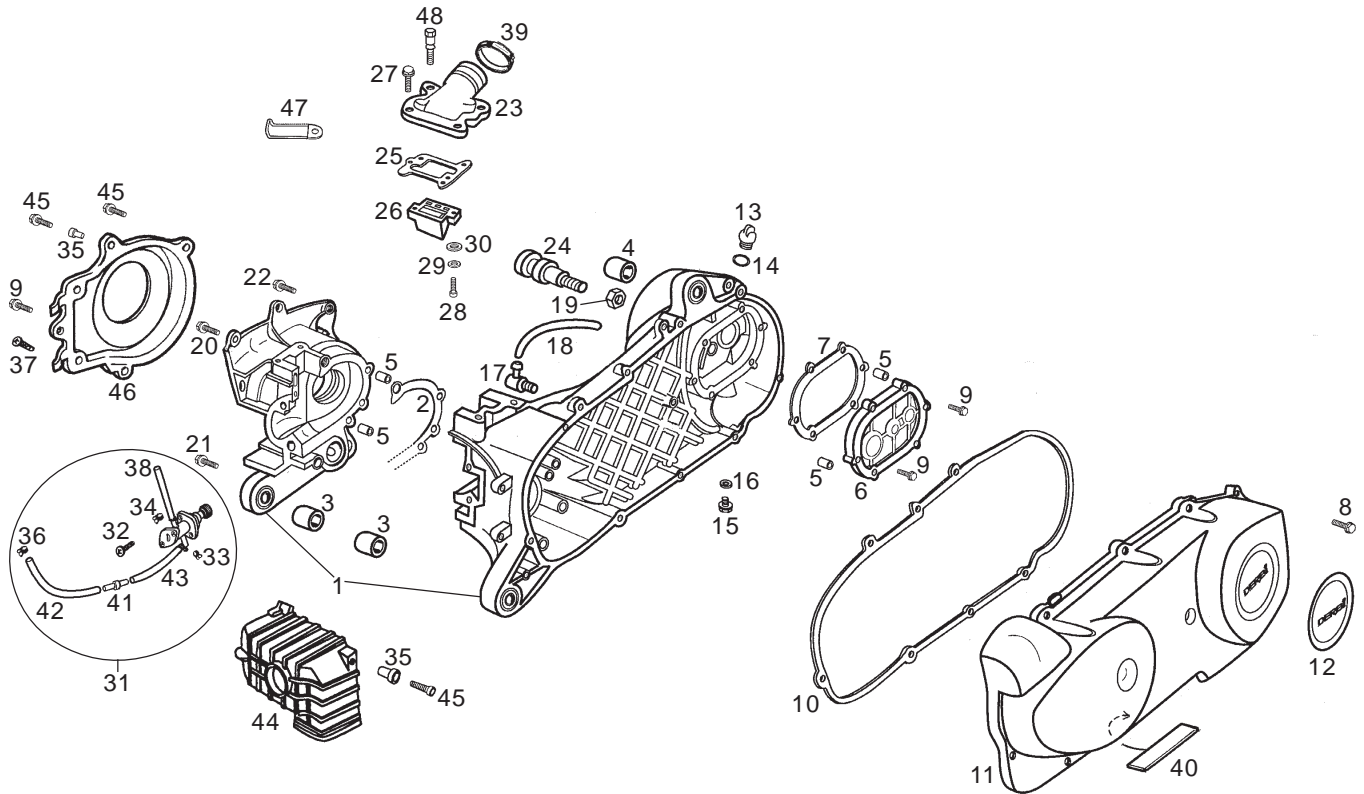
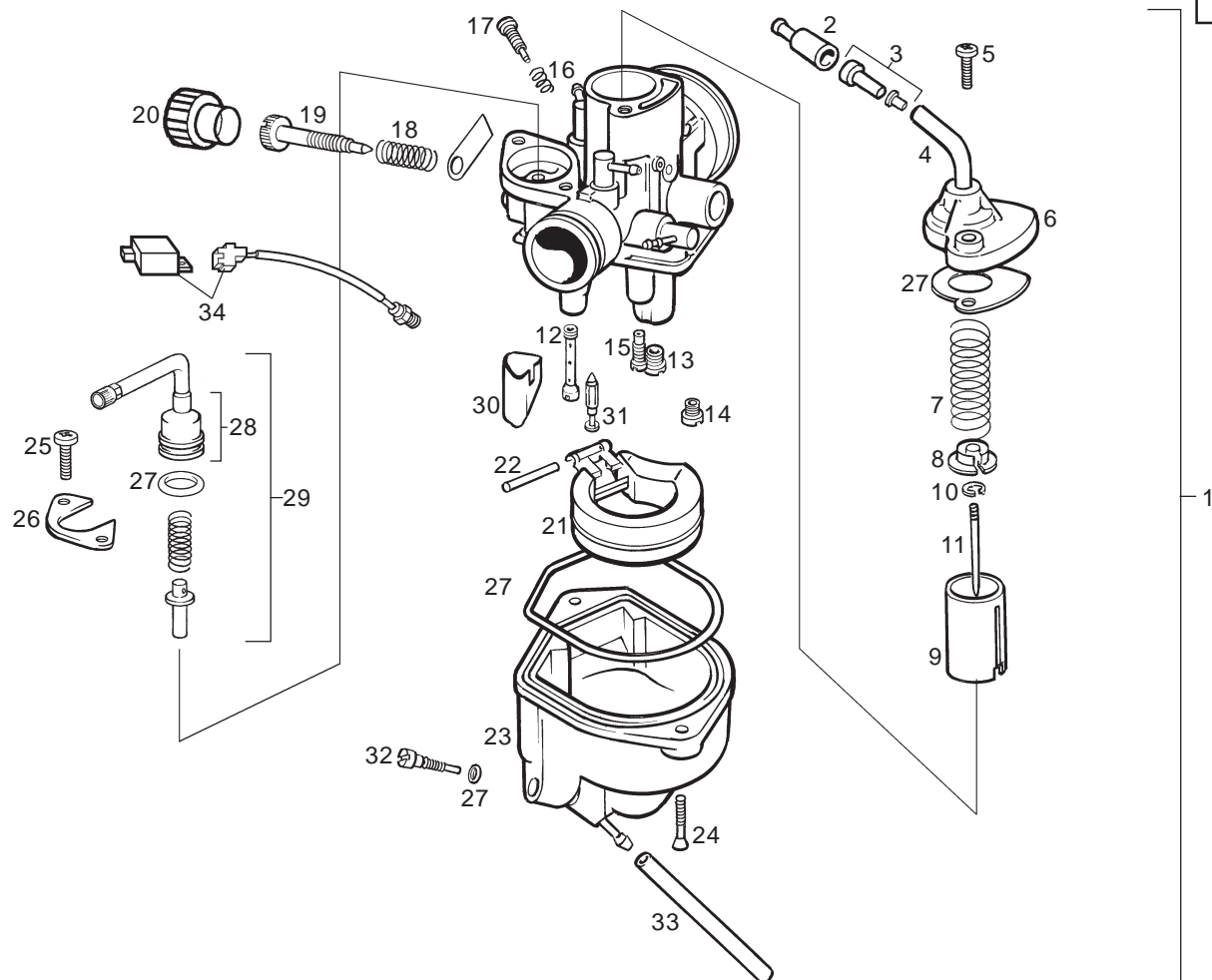


Fig.	Vers.	COD.	DESCRIPCIÓN / DENOMINAZIONE	DESIGNATION	MOD.	Nº CHASIS Nº TELAIO FRAME NUM.
46A		00G03000151	CTO.TAPA TURBINA.VAMOS-K. COMPL. COPERCHIO VENTOLA VA	BLOWER COVER ASSY	1 2 3 4	
47A		00G03702181	BRIDA FIJ.TUBO ACTE.BOMBA-BOQ FLANGIA FISSAGGIO TUBO OLIO PO	PUMP-INLET OIL TUBE SECURING F	1 2 3 4	
48A		00F03400051	TOR.FIJ.TUBO ESCAPE.SPORT.BELG VITE FISSAZ.TUBO SCAPPAMENTO	HEXAGONAL HEAD SCREW	3 4	



Figr.	Vers.	COD.	DESCRIPCIÓN / DENOMINAZIONE	DESIGNATION	MOD.	Nº CHASIS Nº TELAIO FRAME NUM.
01A		00G03232011	CTO.CARBURAD.ATLANTIS CARBURATORE	CARBURETOR	1 2	
01B		00G03234011	CTO.CARBURAD.ATLANTIS ALEM. CARBURATORE	CARBURETOR	3 4	
02A		00G03201561	R-CAPUCHON CABLE GAS.VM.AU.40K COPERCHIO CAVO BENZINA VM AU.4	THROTTLE CABLE RUBBER CAP	1 2 3 4	
03A		00F03200021	R-CTO.TORN.TENSOR CABLE GAS COMP.TENDITORE CAVO BENZ.	THROTTLE CABLE ADJUSTER SCREW	1 2 3 4	
04A		00G03200761	R-TUBO CABLE GAS.VAM.AUS.40K/H R- TUBO CAVO GAS VAMOS AUS 40	THROTTLE CABLE SLEEVE	1 2 3 4	
05A		00G03200061	R-TOR FIJ.TAPA CAM.MEZCLA.VM/A R-VITE FISSAGIO COPERCHIO CAME	MIXING CHAMBER COVER SECURING	1 2 3 4	
06A		00G03201231	R-TAPA CAMARA MEZCLA.VM.AU.40K COPERCHIO CAMERA MISCELA	CARBURETOR UPPER COVER	1 2 3 4	
07A		00G03201071	R-MUELLE VALV.GAS.VAM.AUS.40KH R- MOLLA VALVOLA GAS VAMOS AUS	THROTTLE VALVE RETURN SPRING	1 2 3 4	
08A		00G03200511	R-CASQ.AGUJA PULVERIZ.VA.AU.40 R- GHIERA SPILLO SPRUZZATORE V	NEEDLE BUSHING	1 2 3 4	
09A		00F03201211	R-COMPUERTA GAS 40 URBAN VALVOLA BENZINA	SLIDE	1 2 3 4	
10A		00G03201371	R-PINZA AGUJA PULVER.VAM.AU.40 FERMAGLIO SPILLO	NEEDLE CIRCLIP	1 2 3 4	
11A		00G03201431	R-AGUJA PULVERIZ.VAM.AUS.40K/H SPILLO SPRUZZATORE	NEEDLE	1 2 3 4	
12A		00H03203421	R-PULVERIZADOR GA210 SENDA R POLVERIZZATORE	NEEDLE JET	1 2	
12B		00G03204421	R-PULVERIZADOR GA212 POLVERIZZATORE GA212	NEEDLE JET GA212	3 4	
13A		00G03214031	R-SURTIDOR MAX.57 ATLANTIS R-GETTO MASSIMO 57	MAIN JET 57	1 2	

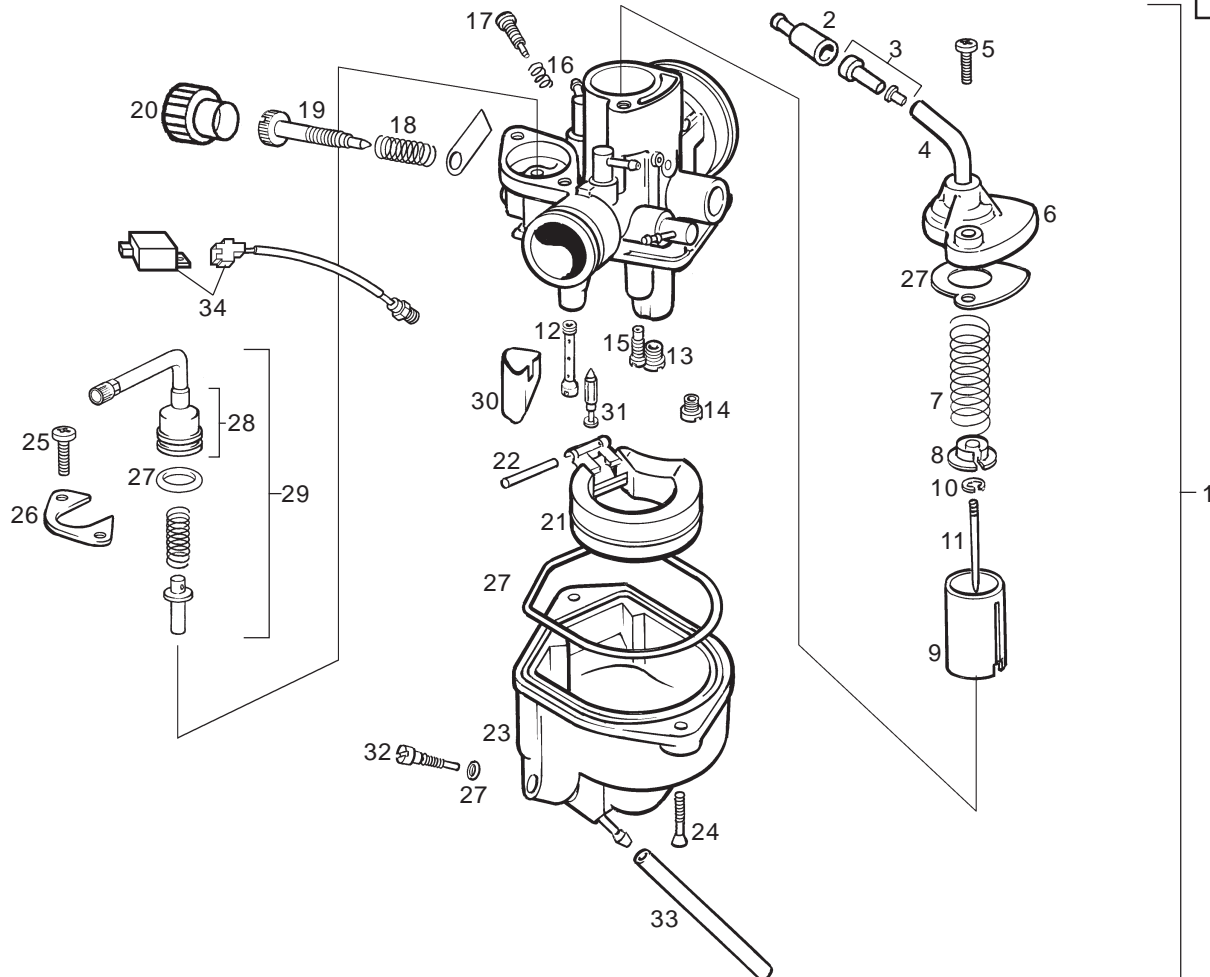
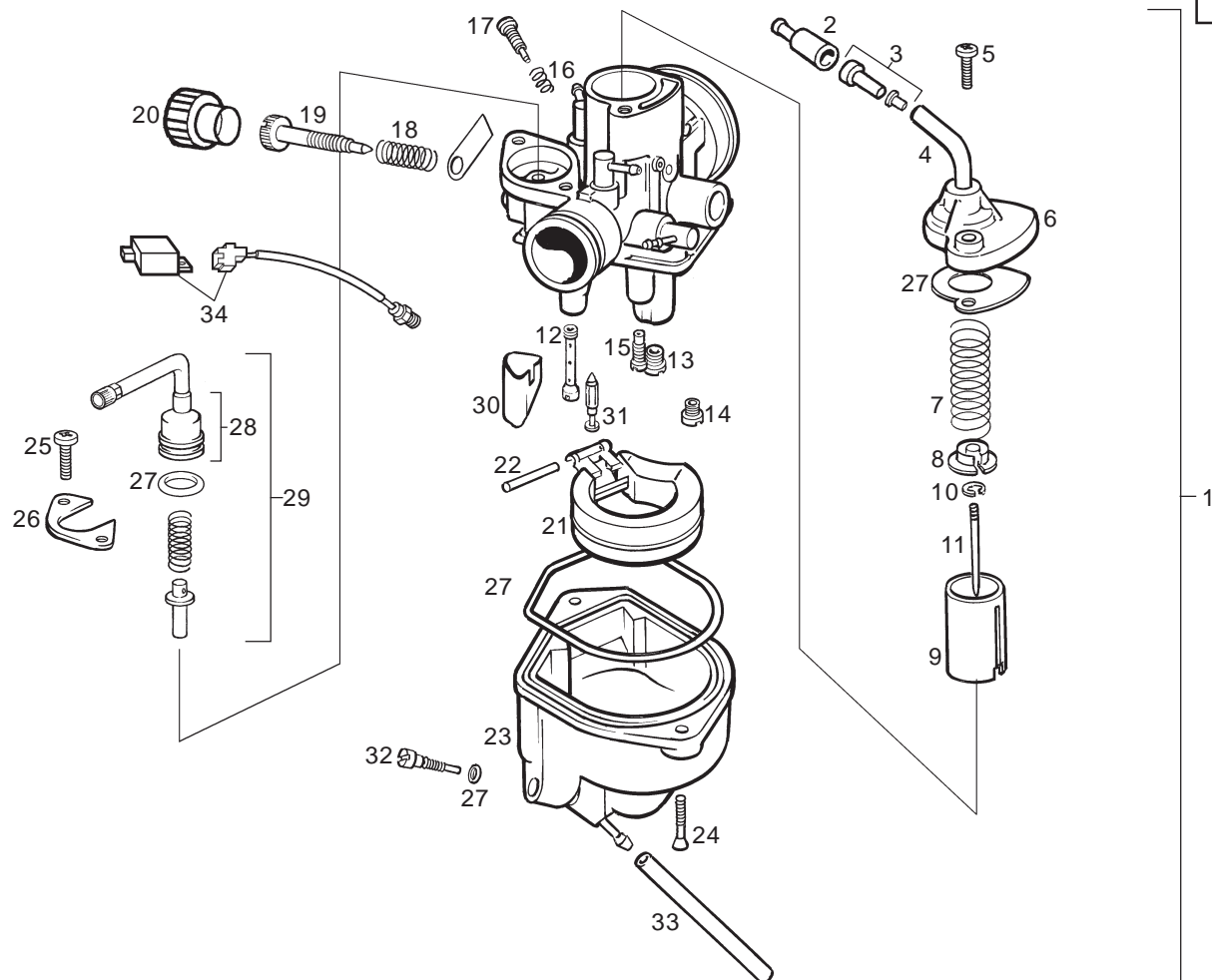
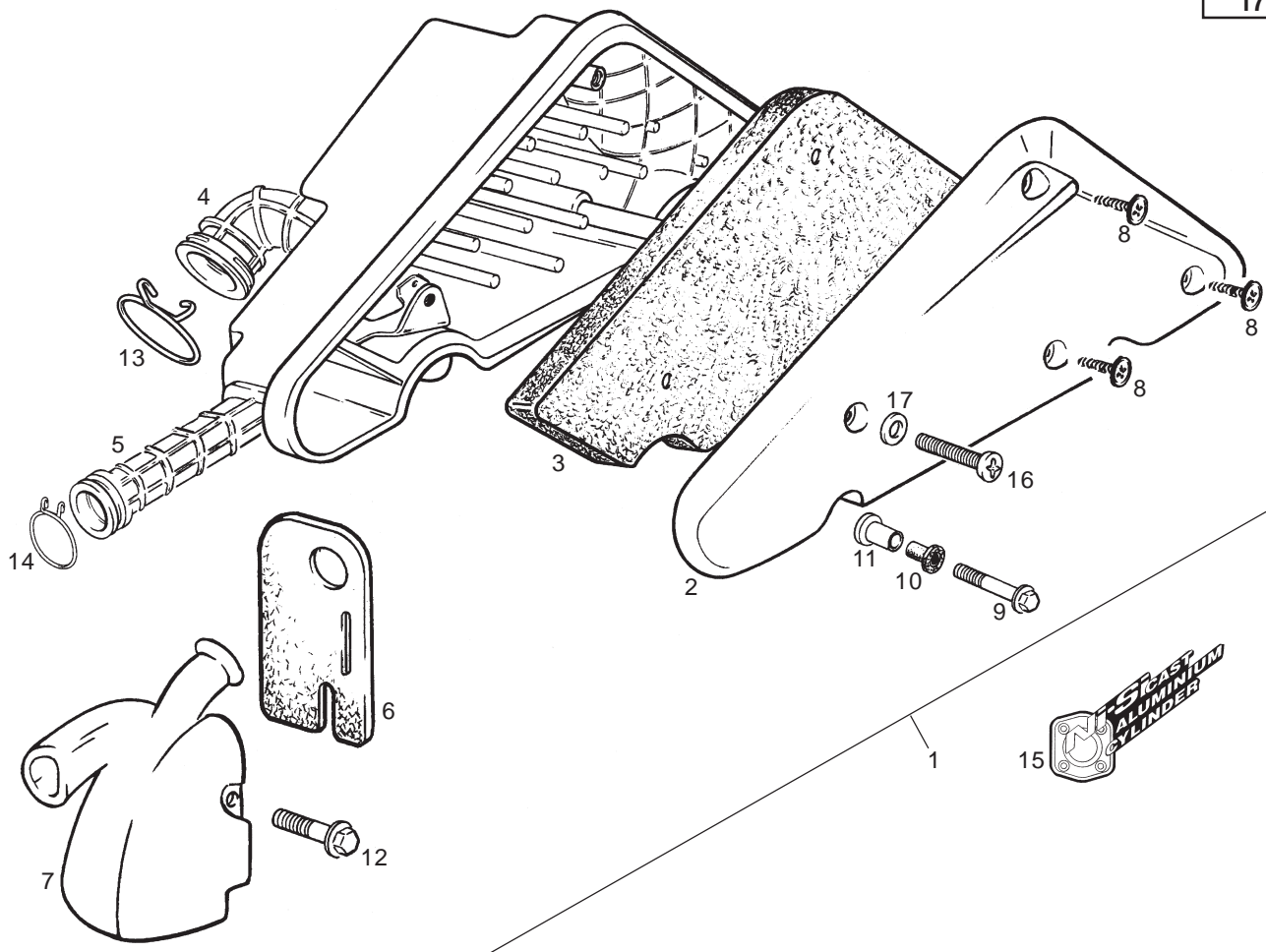


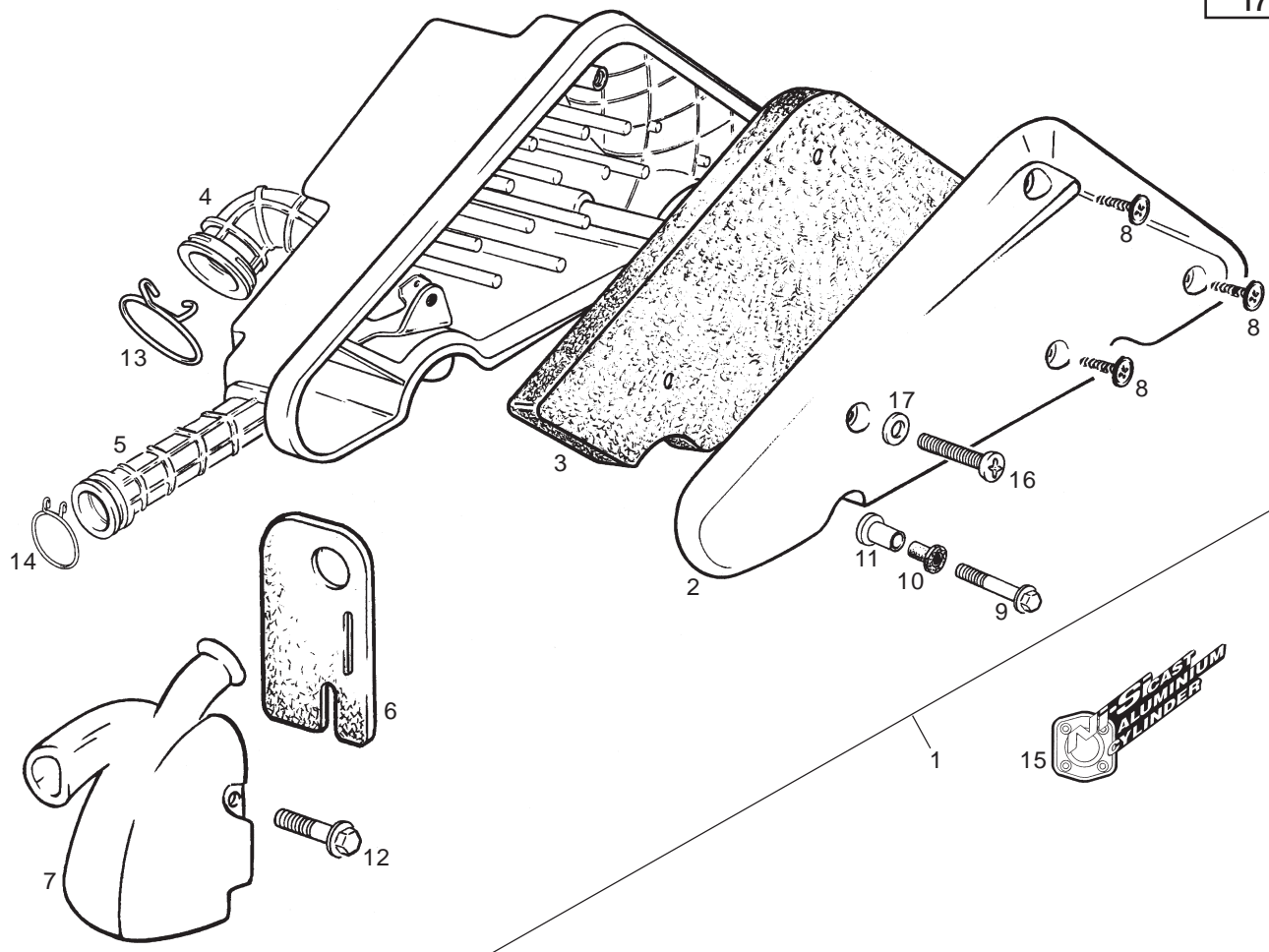
Fig.	Vers.	COD.	DESCRIPCIÓN / DENOMINAZIONE	DESIGNATION	MOD.	Nº CHASIS Nº TELAIO FRAME NUM.
13B		00G03201031	R-SURTIDOR MAX.50 R-GETTO MASSIMO 50	MAIN JET 50	3 4	
14A		00G04103181	R-SURTIDOR MIN.34.VAM.25KH GETTO MINIMO 36	JET MIN.34	1 2 3 4	
15A		00H03201481	R-SURTIDOR ENTR.AIRE 45SEND.R GETTO ENTRATA ARIA 45SEND.R	IDLE CHOKE	1 2 3 4	
16A		00G03200721	R-MUELLE REG.AIRE MIN.VM.AU.40 R-MOLLA REGOLAZIONE ARIA MINIM	IDLE ADJUSTER SPRING	1 2 3 4	
17A		00G03200731	R-TOR.REG.AIRE MIN.VAM.AU.40KH R-VITE REGOLAZIONE ARIA MINIMO	IDLE ADJUSTER SCREW	1 2 3 4	
18A		00G03200101	R-MUELLE REG.VALV.GAS.VM.AU.40 R-MOLLA REGOLAZIONE VALVOLA GA	THROTTLE VALVE ADJUSTER SPRING	1 2 3 4	
19A		00G04100131	R-TOR.REG.VALV.GAS.VAM.AU.40KH R-VITE REGOLAZIONE VALVOLA GAS	THROTTLE VALVE ADJUSTER SCREW	1 2 3 4	
20A		00G04100741	R-BOTON TOR.REG.VALV.GAS.V.AU. BOTTONE VITE REG.VALV.BENZ.V.A	THROTTLE VALVE ADJUSTER SCREW	1 2 3 4	
21A		00G03201281	R-FLOTADOR.VAMOS.AUSTR.40 K/H. GALLEGGIANTE	FLOAT	1 2 3 4	
22A		00G03201121	R-PASADOR EJE FLOTAD.VA.AU.40K PERNO GALLEGGIANTE	FLOAT PIN	1 2 3 4	
23A		00G03201201	R-CTO.VASO GASOL.VAMOS R'95 VASCHETTA	FLOAT CHAMBER SUB-ASSY	1 2 3 4	
24A		00G03201091	R-TOR.FIJ.VASO GASOL.VA.AU.40K VITE FISSAGGIO VASCHETTA	FLOAT CHAMBER SECURING SCREW	1 2 3 4	
25A		00G03200541	R-TOR.FIJ.START.AUTOM.VM.AU.40 R-VITE FISSAGGIO STARTER AUT	AUTOMATIC CHOKE SECURING SCREW	1 2 3 4	
26A		00G03200551	R-PRECTO.FIJ.START.AUT.V.AU.40 R-PIASTRINA FISSAGGIO STARTER	AUTOMATIC CHOKE SECURING SCREW	1 2 3 4	
27A		00G04100771	R-CTO.JUNTAS CARBUR.V.25K/H.AL GUARNIZIONE VASCHETTA	CARBURETOR GASKET SET	1 2 3 4	



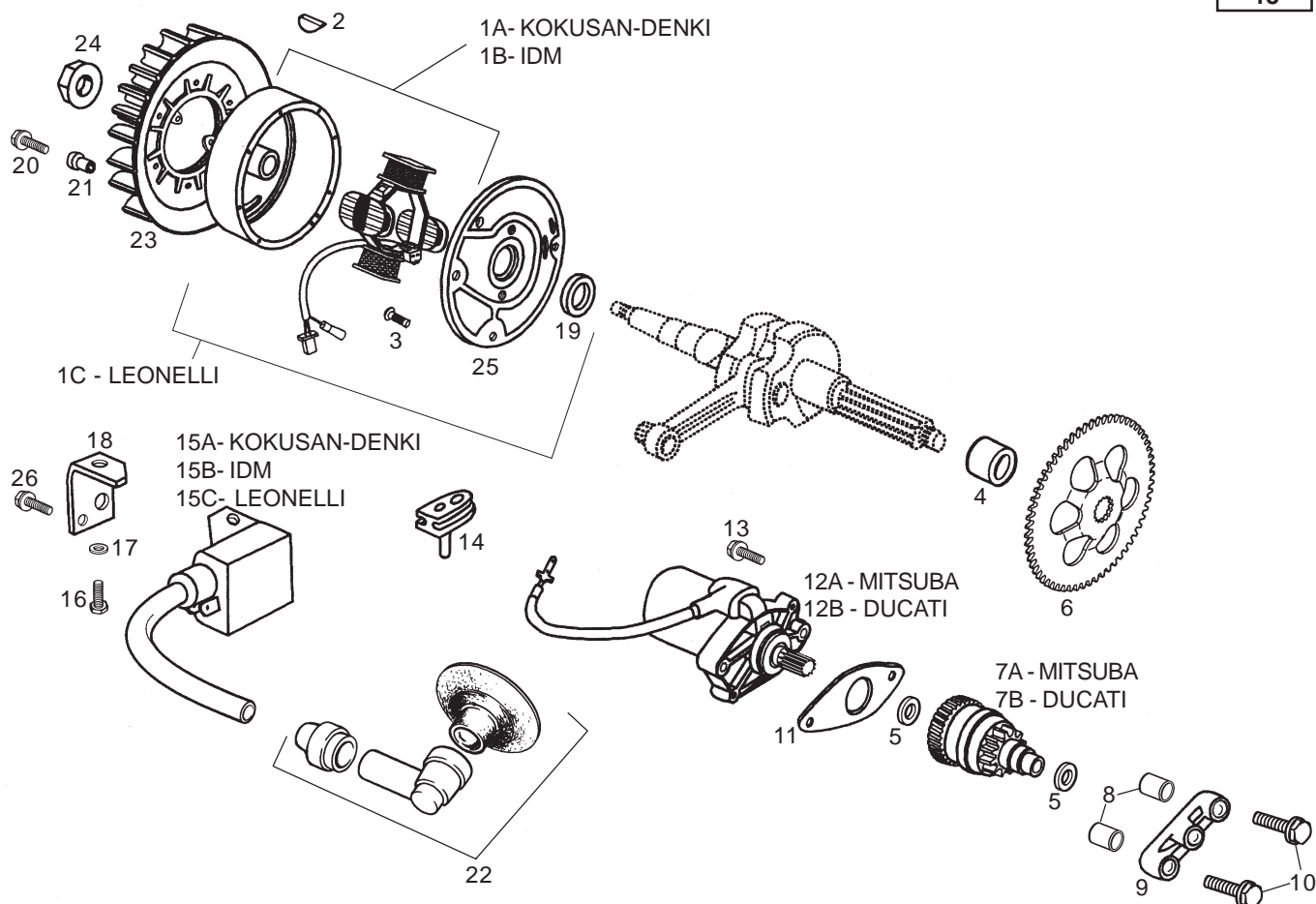
Figr.	Vers.	COD.	DESCRIPCIÓN / DENOMINAZIONE	DESIGNATION	MOD.	Nº CHASIS Nº TELAIO FRAME NUM.
28A		00G03200391	R-CUERPO STARTER HUN'97 R-CORPO STARTER SENDA GERMANIA	BODY «STARTER»	1 2 3 4	
29A		00G03202711	R-CTO.STARTER MAN.HUNT'97 COMP.STARTER	CHOKE ASSY	1 2	
29B		00G03203711	R-CTO.STARTER MAN.PRED-E COMP.STARTER	CHOKE ASSY	3 4	
30A		00G04100941	R-VASO STARTER PADD.L.C VASCHETTA MOTORINO	FLOAT STARTER	1 2 3 4	
31A		00G03203051	R-CTO.AGUJA FLOTAD.PADD.L.C. SPILLO CHIUSURA BENZINA	FLOAT NEEDLE ASSY	1 2	
31B		00G03201051	R-CTO.AGUJA FLOTAD.PADD.L.C. SPILLO CHIUSURA BENZINA	FLOAT NEEDLE ASSY	3 4	
32A		00G04100951	R-TORN.DISCARGA VASO VITE SCARICO VASCHETTA	SCREW	3 4	
33A		00G04101681	R-TUBO DESCARGA VASO PADD.L.C. TUBO SCARICO VASCHETTA	CHAMBER DISCHARGE TUBE	3 4	
34A		00H06000151	CTO. KIT CALENTADOR CARBURADOR KIT RISCALDAMENTO CARBURATORE	KIT CARBURATOR HEATER	3 4	



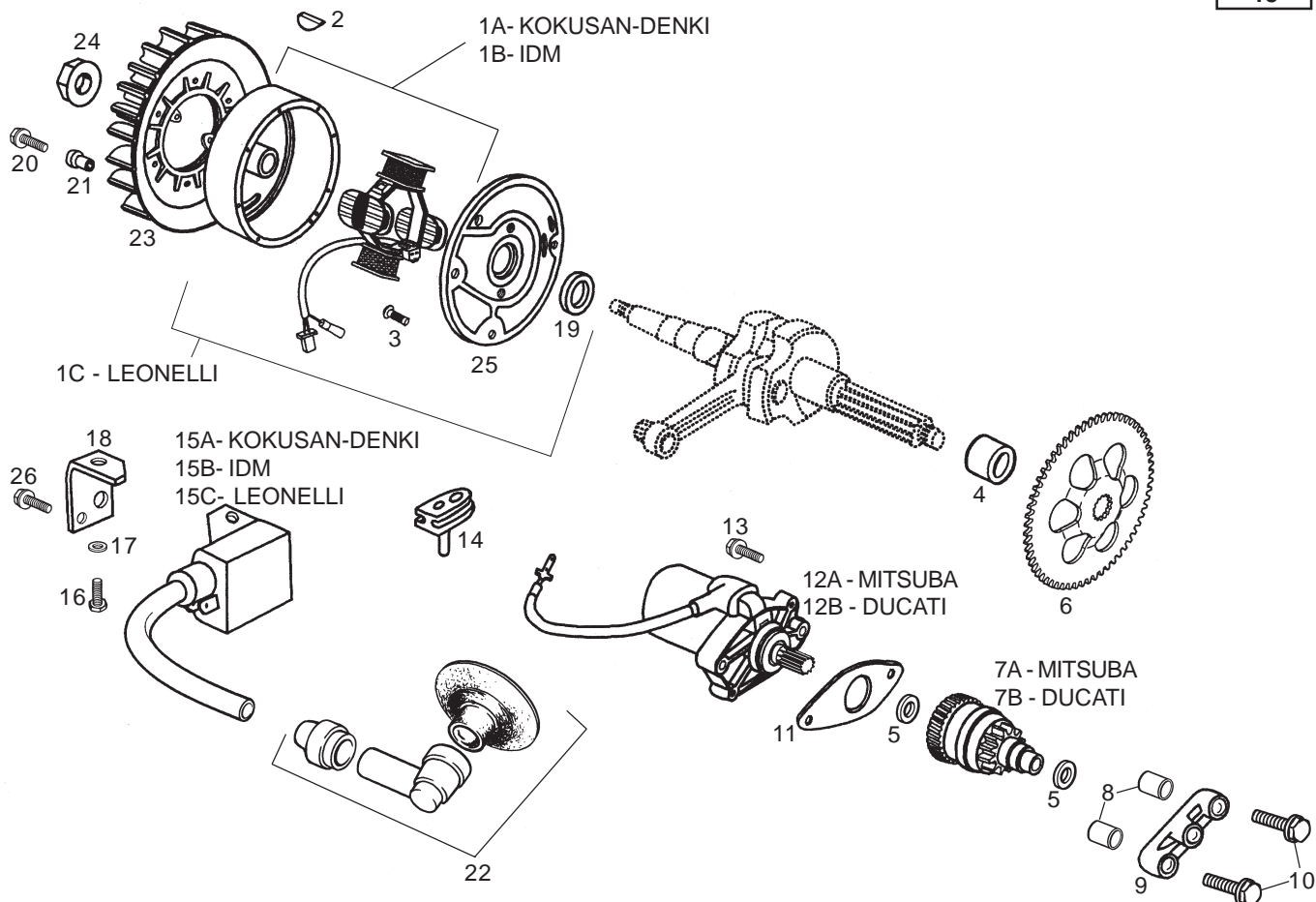
Figr.	Vers.	COD.	DESCRIPCIÓN / DENOMINAZIONE	DESIGNATION	MOD.	Nº CHASIS Nº TELAIO FRAME NUM.
01A		00G01809541	CTO.CAJA FILTRO.HUNTER CASSA FILTRO COMPLETA	FILTER BOX ASSY	1 2 3 4	
02A		00G00501771	TAPA CAJA FILTRO.HUNTER COPERCHIO CASSA FILTRO	FILTER BOX COVER	1 2 3 4	
03A		00G03202251	FILTRO AIRE HUNTER FILTRO ARIA	AIR FILTER	1 2 3 4	
04A		00G03203261	TUBO ADMISION HUNTER MANICOTTO ASPIRAZIONE	AIR INTAKE HOSE	1 2 3 4	
05A		00G03206491	TUBO ASPIRAC.HUNTER TUBO ASPIRAZIONE	BREATHER TUBE	1 2 3 4	
05A	01	00G03208491	TUBO ASPIRAC.HUNTER TUBO ASPIRAZIONE	BREATHER TUBE	1 2 3 4	G167524
06A		00G06800511	PROTECT.ENTR.AIRE VARIADOR PROTEZIONE ENTRATA ARIA	PROTECTOR	1 2 3 4	
07A		00G06800341	DEPOSITO DRENAJE TUBO ASP.HUNT SERBATOIO DRENAGGIO ASPIRAZION	BREATHER TUBE DRAIN SUMP	1 2 3 4	
07A	01				1 2 3 4	G167524
08A		00011051801	TOR.AUTRCTE.5,1X18 NG.CL ALH VITE AUTOFILETTANTE 5,1X18	SELF-TAPPING SCREW	1 2 3 4	
09A		00G03001091	TOR.FIJ.CARTERS.(6X35)HUNTER VITE FISSAGGIO CARTER (6X35)	CRANKCASE SECURING SCREW	1 2 3 4	
10A		00G06301201	CASQ.SILENT.FIJ.CAJA FILT.HUNT GHIERA SILENTBLOCK	FILTER BOX SECURING BUSHING	1 2 3 4	
11A		00G04901261	SILENT.FIJ.CAJA FILTRO.HUNTER SILENTBLOCK CASSA FILTRO	FILTER BOX SECURING MOUNTS	1 2 3 4	
12A		00G03600991	TOR.FIJ.TURBINA HUNTER(6X16) VITE FISSAGGIO VENTOLA (6X16)	BLOWER SECURING SCREW	1 2 3 4	
13A		00G03205271	MUELLE TUBO ADMIS.CARBUR.HUNTE ANELLO FERMAGOMMA	CARBURETTOR AIR INTAKE TUBE SP	1 2 3 4	



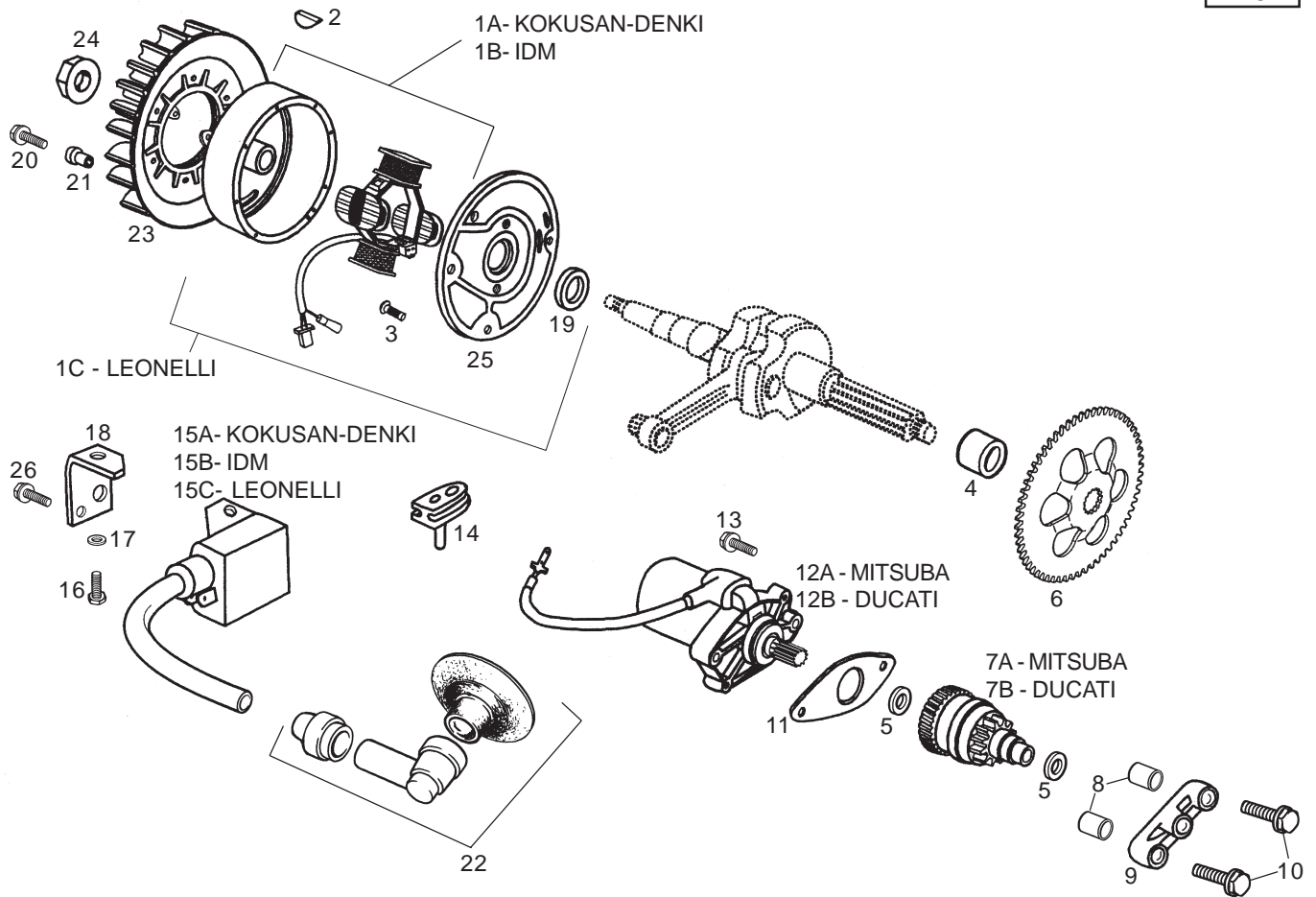
Figr.	Vers.	COD.	DESCRIPCIÓN / DENOMINAZIONE	DESIGNATION	MOD.	Nº CHASIS Nº TELAIO FRAME NUM.
14A		00G06302581	MUELLE FIJ.TUBO ASPIRAC.HUNTER MOLLA FISSAGGIO ASPIRAZIONE	BREATHER TUBE SECURING SPRING	1 2 3 4	
14A	01	00G03205271	MUELLE FIJ.TUBO ASPIRAC.HUNTER MOLLA FISSAGGIO ASPIRAZIONE	BREATHER TUBE SECURING SPRING	1 2 3 4	G167524
15A		00G03000901	CALCA CILINDRO ALUMINIO PADD. ADESIVO CILINDRO ALLUMINIO	DECAL, ALUMINIUM CYLINDER.	1 2 3 4	
16A		00012054000	TOR./RED.CR.5M80X40.D7985NG. VITE C/CROCE	ROUNDHEAD PRHILLIPS SCREW	1 2 3 4	
17A		00000031050	ARAND.PLANA MEC.D.5.DIN125-B RONDELLA PIATTA D5	MACHINED FLAT WASHER D5	1 2 3 4	



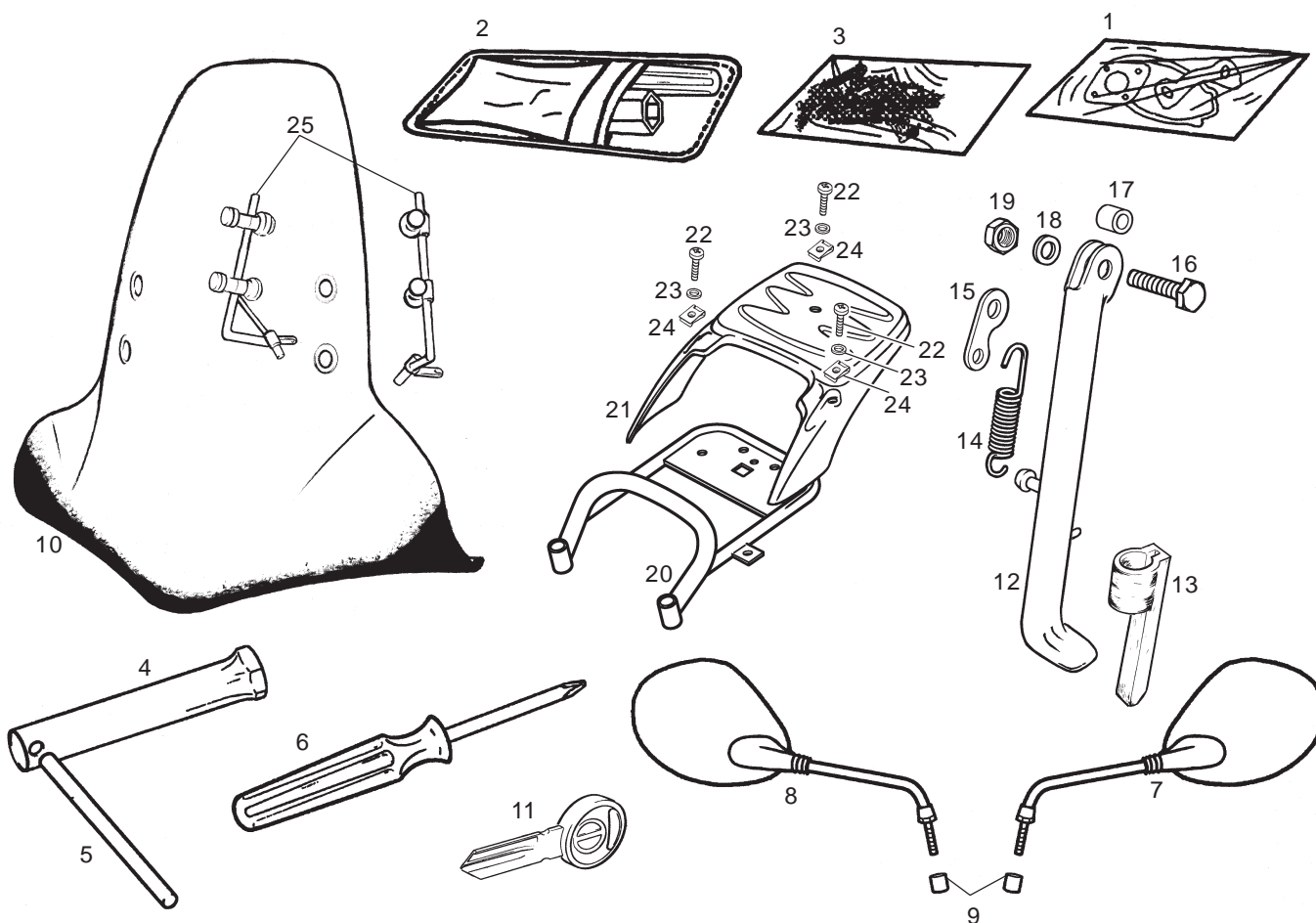
Figr.	Vers.	COD.	DESCRIPCIÓN / DENOMINAZIONE	DESIGNATION	MOD.	Nº CHASIS Nº TELAIO FRAME NUM.
01A		00G03301011	CTO.VOLTE.ELECTR.VAMOS-K. VOLANO MAGNETE	MAGNETO ASSEMBLY	1 2 3 4	
01B		00G03302011	CTO.VOLTE.ELECTR.VAMOS-K. VOLANO MAGNETE	MAGNETO ASSEMBLY	1 2 3 4	
01C		00G03301801	CTO.VOLTE.MAGNET. C/PLATO VOLANO ELETTRONICO V	MAGNETO ASSEMBLY	1 2 3 4	
02A		00G03300231	CHAVETA VOLTE.ELECTRON. CHIAVETTA VOLANO	KEY, FLYWHEEL	1 2 3 4	
03A		00000013616	TOR.AV.ALL.6M100X16.NGR.D-7991 VITE INCASSATA ALLEN 6M100X16	COUNTERSUNK ALLEN SCREW 6M100X	1 2 3 4	
04A		00G03901781	CASQ.TOPE CORONA ARRQ.VAMOS-K. DISTANZIALE	BUSHING	1 2 3 4	
05A		00G03901131	ARAND.REG.TOR.PALCA.FIJ.MARCH. RONDELLA	GEAR SELECTOR LEVER SCREW SHIM	1 2 3 4	
06A		00G03901051	CORONA ARRQ.ELECTR.VAMOS-K. CORONA AVV.ELETTRICO.	SPROCKET	1 2 3 4	
07A		00G03901851	CTO.PIÑONES MOTOR A.EL.VAMOS-K RINVIO MOTORINO	ELECTRIC START GEAR ASSY	1 2 3 4	
07B		00G03904851	CTO.PIÑONES MOTOR A.EL. PIGNONI MOTORINO AVV	ELECTRIC START GEAR ASSY	1 2 3 4	
08A		00G03001021	CENTRADOR CARTERS.VAMOS-K. BOCCOLA	CRANKCASE LOCATOR	1 2 3 4	
09A		00G03901871	R-SCTO.PLATINA APOYO MOT.ARRQ. FLANGIA MOTORINO AVVIAMENTO	STARTER MOTOR SUPPORT PLATE SU	1 2 3 4	
10A		00G03900821	TOR.FIJ.PLAT.MOT.ARR.HUNT.6X30 VITE PIATTO MOTORINO AVVIAMEN	STARTER MOTOR SUPPORT PLATE SE	1 2 3 4	
11A		00G03900501	JUNTA PLATINA APOYO MOTOR A.E. GUARNIZIONE FLANGIA APPOGGIO M	GASKET	1 2 3 4	



Figr.	Vers.	COD.	DESCRIPCIÓN / DENOMINAZIONE	DESIGNATION	MOD.	Nº CHASIS Nº TELAIO FRAME NUM.
12A		00G03901891	CTO.MOTOR ARRQ.ELECTR.VAMOS-K. MOTORINO AVVIAMENTO	STARTER MOTOR ASSY	1 2 3 4	
12B		00G03904891	CTO.MOTOR ARRQ.ELECTR.VAMOS-K. MOTORINO AVVIAMENTO	STARTER MOTOR ASSY	1 2 3 4	
13A		00G03000211	TOR.FIJ.TAPA CART.IZ.HUNT.6X25 VITE	LEFT CRANKCASE COVER SECURING	1 2 3 4	
14A		00G03300281	PASACABLES VOLTE.ELECTR.VAM-K. PASSACAVI VOLANO MAGNETE	MAGNETO CABLE RUBBER GROMMET	1 2 3 4	
15A		00G03302171	CTO.CONVER.ELECTR.VAMOS K TRASDUTTORE COMPLETO	IGNITION COIL	1 2 3 4	
15B		00G03305171	CTO.CONVER.ELECTR.VAMOS K TRASDUTTORE COMPLETO	IGNITION COIL	1 2 3 4	
15C		00G03308171	CTO.CONVER.ELECTR. CONVERTITORE ELETTRICO	IGNITION COIL	1 2 3 4	
16A		00000004612	TOR.C/ALLEN 6M100X12.DIN- VITE TESTA ALLEN 6M100X12	SCREW M6X12	1 2 3 4	
17A		00000031060	ARAND.PLANA MECANIZ.D.6.DIN125 RONDELLA PIATTA D6	MACHINED FLAT WASHER D6 DIN-12	1 2 3 4	
18A		00G04401241	SOPTO.CONVERSOR ELECTR.HUNTER SUPPORTO	HT COIL BRACKET	1 2 3 4	
19A		00G03300751	RETEN VOLTE.ELECT.BA.18,9X30X5 GIUNTO TENUTA VOLANO ELETTRONICO	MAGNETO SEAL	1 2 3 4	
20A		00G03600991	TOR.FIJ.TURBINA HUNTER(6X16) VITE FISSAGGIO VENTOLA (6X16)	BLOWER SECURING SCREW	1 2 3 4	
21A		00G03601871	CASQ.FIJ.TURBINA. GHIERA FISSAGGIO VENTOLA	BLOWER SECURING BUSH	1 2 3 4	
22A		00G03300831	CTO.PIPA BUJIA (MTA) COMPL. PIPETTA CANDELA	COVER, SPARK PLUG	1 2 3 4	



Figr.	Vers.	COD.	DESCRIPCIÓN / DENOMINAZIONE	DESIGNATION	MOD.	Nº CHASIS Nº TELAIO FRAME NUM.
23A		00G03601511	CTO.TURBINA VAMOS-K COMPL. VENTOLA	BLOWER ASSY	1 2 3 4	
24A		00026010000	TCA.C/BASE M.10M125.D-6923.C10 DADO CAMPANA	FLANGED NUT	1 2 3 4	
25A		00G03300021	PLATO PIATTO	PLATEAU	1 2 3 4	
26A		00000004625	TORNILLO 6M100X25 D-912 VITE 6M100X25	SCREW 6M100X25	1 2 3 4	



Figr.	Vers.	COD.	DESCRIPCIÓN / DENOMINAZIONE	DESIGNATION	MOD.	Nº CHASIS Nº TELAIO FRAME NUM.
01A		00G05202481	R-JUEGO JUNTAS HUNTER R-COMPL. GUARNIZIONI HUNTER	GASKET SET	1 2 3 4	
02A		00G05101561	CTO.BOLSA HERRAMTAS.HUNTER COMPL. SACCO FERRI HUNTER	TOOL KIT	1 2 3 4	
03A		00G05129651	R-JUEGO CALCAS ATL.RJ.PIROM. SERIE ADESIVI	SET OF TRANSFERS	1 3	
03B		00G05133651	JUEGO CALCAS ATL.RED BULLET SERIE ADESIVI	SET OF TRANSFERS	2 4	
04A		00G05100011	LLAVE BUJIA HUNTER CHIAVE CANDELA	SPARK PLUG SPANNER	1 2 3 4	
05A		00G05101031	MANGO LLAVE HUNTER MANICO CHIAVE	SPANNER HANDLE	1 2 3 4	
06A		00G05300601	DESTORNILLADOR HUNTER CACCIAVITE	SCREWDRIVER	1 2 3 4	
07A		00G04609921	CTO.ESPEJO RETROV.IZ.ATLANTIS SPECHIO S.	MIRROW L.	1 2	
07B		00G04610921	CTO.ESPEJO RETROV.IZ.ATL.EXP. COMPL.SPECHIO S.	MIRROW L.	3 4	
08A		00G02208671	CTO.ESPEJO RETROV.DR.ATLANT. SPECHIO D.	MIRROW R.	1 2	
08B		00G02209671	CTO.ESPEJO RETROV.DR.ATLAN.EXP COMPL.SPECHIO D.	MIRROW R.	3 4	
09A		00D04900581	CASQ.SUPLEMTO.ESPARR.RETROV. GHIERA SUPPLEMENTO BULLONE RET	SPACER REAR MIRROR	1 2 3 4	
10A		00G01502751	CTO.PARABRISAS DT.ATLANTIS COMPL. PARABREZZA ANTERIORE	WINDSCREEN KIT ASSY	1 2 3 4	
11A		00F01811411	R-LLAVE CERRAD.P/MEC.VNT.96 CHIAVE	LOCK KEYS	1 2 3 4	
12A		00G00806011	SCTO.PATA CABALLETE VECOS SUBCOMPL. ZAMPA CVALETTTO N	SIDE STAND SUB-ASSY	1 2 3 4	

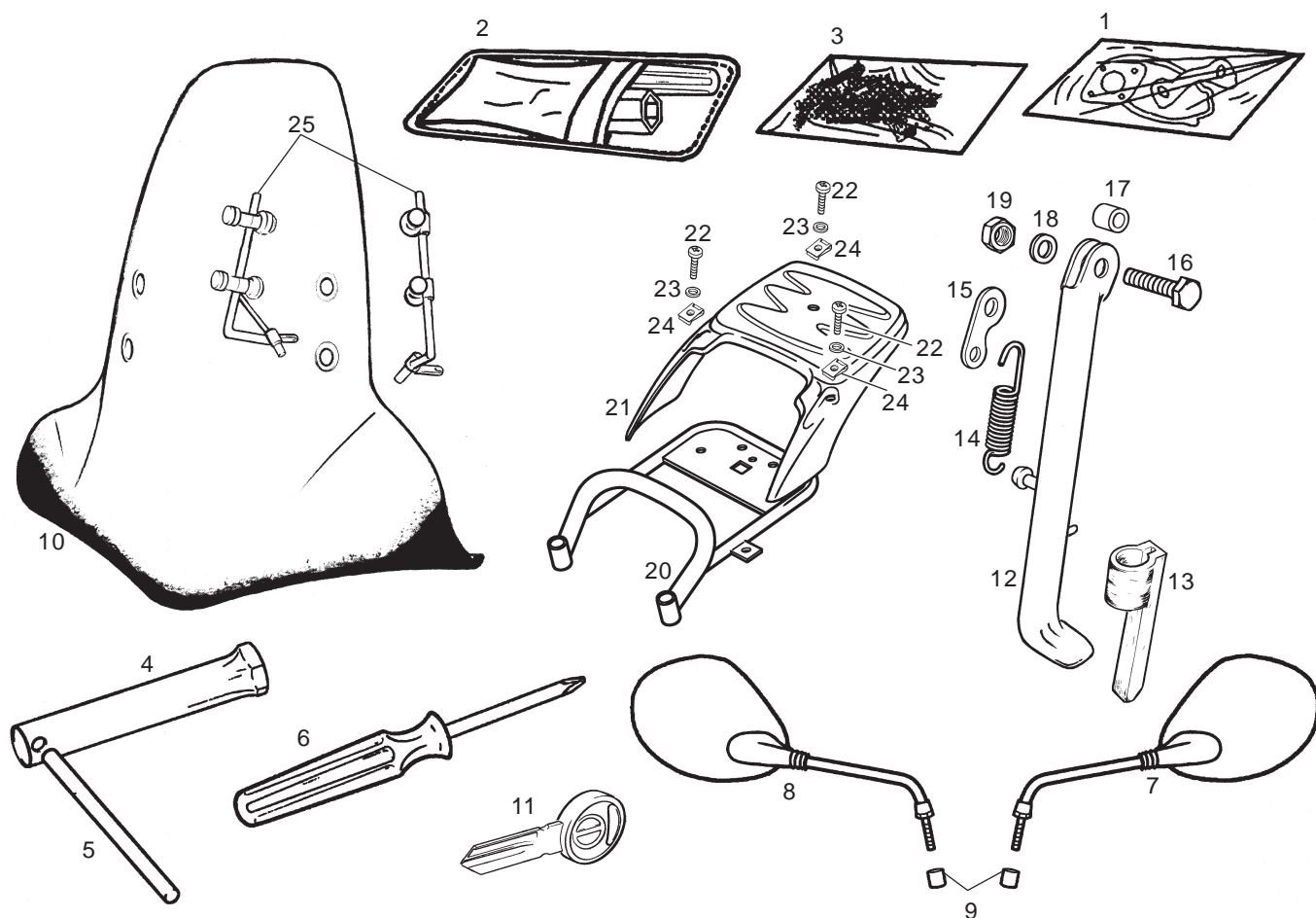
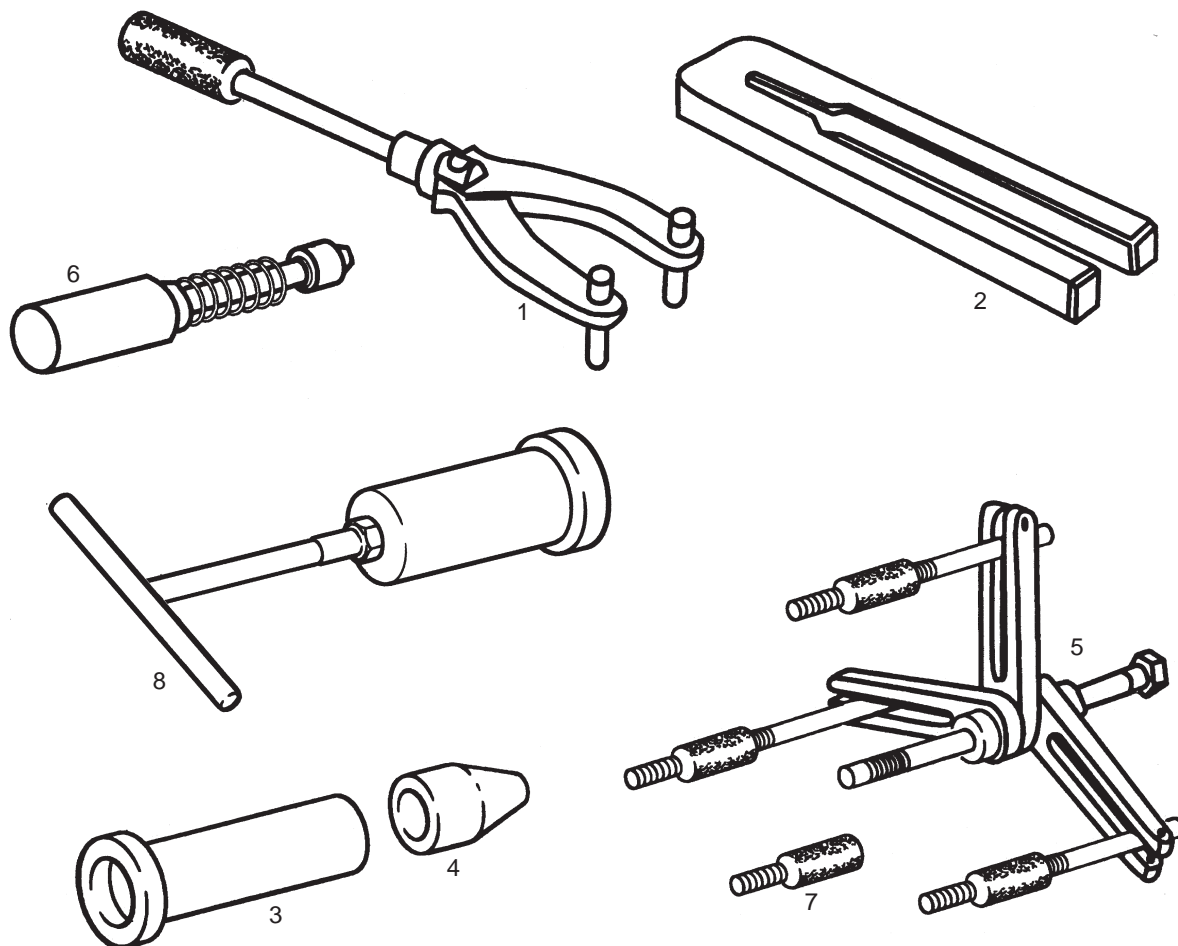


Fig.	Vers.	COD.	DESCRIPCIÓN / DENOMINAZIONE	DESIGNATION	MOD.	Nº CHASIS Nº TELAIO FRAME NUM.
13A		00G00801061	APOYO PATA CABALLETE ATLANTIS ARRESTO CAVALLETTO	PROTECTOR KICKSTAND	1 2 3 4	
14A		00H00802081	MUELLE INT.PATA CABALL.SEN-EXP MOLLA INTERNA ZAMPA CAVALLETTO	SIDE STAND SPRING	1 2 3 4	
15A		00H00800421	PLACA RETORNO CABALLETE GPR-75 PIASTRINA RITORNO CAVALLETTO G	SPRING KIK-STAND SUPPORT	1 2 3 4	
16A		00H00802071	TOR.FIJ.PATA CABALLETE VITE FISSAGGIO ZAMPA CAV.	PIVOT PIN KICKSTAND	1 2 3 4	
17A		00H00801261	CASQ.GIRO PATA CABALLETE SENDA GHIERA CAVALLETTO LATERALE	SIDE STAND BUSHING	1 2 3 4	
18A		00034000802	ARAND.ESTRELL.INT.D8.DIN6798-J RONDELLA STELLA INTERNA D8 D-6	INNER STAR WASHER D.8	1 2 3 4	
19A		00000021080	TCA.EXAG. 8M125. DIN-934. DADO ESAGONALE 8M125.D-934	HEXAGON NUT 8M125 D934	1 2 3 4	
20A		00G01409191	R-SCTO. PORTAPAQUETES PORTAPACCHI	REAR CARRIER ASSY	1 3	
21A		00G01401241	TAPA PORTAPAQUETES COPERCHIO PORTAPACCHI	UPPER LUGGAGE RACK COVER	1 3	
22A		00012151500	TOR.C/RED.CRUZ.5M8OX16.D7985NG VITE TESTA TONDA CROCE 5M8OX16	ROUND HD CROSSHD SCREW	1 3	
23A		00000031050	ARAND.PLANA MEC.D.5.DIN125-B RONDELLA PIATTA D5	MACHINED FLAT WASHER D5	1 3	
24A		00H01500691	TCA. FIJ. CARENADO A SOPTE. D.5 DADO FISSAGGIO CARENATURA	FAIRING SECURING NUT	1 3	
25A		00G05203611	SOPTE. PARABRISAS APOGGIO PARABREZZA	WINDSCREEN KIT SUPPORT	1 2 3 4	



Figr.	Vers.	COD.	DESCRIPCIÓN / DENOMINAZIONE	DESIGNATION	MOD.	Nº CHASIS Nº TELAIO FRAME NUM.
01A		00G05300011	CTO.UTIL DESMTAR.VOLTE.ELECTR. CHIAVE VOLANO MAG./CAMPANA FR.	MAGNETO EXTRACTOR TOOL	1 2 3 4	
02A		00G05600371	UTIL FIJAR BIELA. PIASTRA PER BLOCO BIELA	CONNECTING ROD TOOL	1 2 3 4	
03A		00F05400451	R-PUNZON MONT.RETENES CIG.URBA TAMPONE ANELLI TENUTA	CRANKCASE SEAL MOUNTING PUNCH	1 2 3 4	
04A		00F05300841	CASQ.GUIA RETEN CIG.DR.URBAN TAMPONE ANELLO ALBERO MOTORE	RIGHT CRANKCASE SEAL GUIDE BUS	1 2 3 4	
05A		00G05300151	CTO.UTIL ABRIR MOTOR. ESTRATTORE SEMICARTER/ALBERO	ENGINE SEPARATOR TOOL	1 2 3 4	
06A		00G05600411	R-CTO.UTIL MONTAR ANILLO BULON ATTREZO MONTAGGIO SPINOTTO.	GUDGEON PIN RING ASSEMBLY TOOL	1 2 3 4	
07A		00G05300161	ESPARRAGO UTIL ABRIR MOTOR ASPARAGO MONTAGGIO SPINOTTO	GUDGEON PIN RING ASSEMBLY PART	1 2 3 4	
08A		00G05600361	CTO.UTIL MONTAJE EJE MOTOR. ESTRATTORE POMPA ACQUA	ENGINE AXLE ASSEMBLY/MOUNTING	1 2 3 4	

CODIGO CODE	Lám. Diagr.	Figr.	Vers.	CODIGO CODE	Lám. Diagr.	Figr.	Vers.	CODIGO CODE	Lám. Diagr.	Figr.	Vers.	CODIGO CODE	Lám. Diagr.	Figr.	Vers.
00G06800511	017	06A		00000013616	018	03A		00004213500	005	12A		00059220400	013	16A	
00G06800586	011	01A		00000021080	019	19A		00006052500	009	13A		00066031200	013	21A	
00G06800641	003	09A		00000023040	010	21A		00006083000	008	18A		00402060001	004	22A	
00G06801051	004	13A		00000023040	011	13A		00006128280	014	29A					
00G06803431	010	04A		00000023051	004	26A		00006309260	006	08A					
00G06804431	010	04B		00000023060	001	11A		00006321040	006	09A					
00H00400371	003	16A		00000023060	004	17A		00008051200	012	20A					
00H00400501	003	13A		00000023060	010	24A		00008062500	010	22A					
00H00400501	015	36A		00000023080	002	14A		00008902630	001	22A					
00H00500212	004	08A		00000023080	006	33A		00011031001	012	16A					
00H00800421	019	15A		00000023100	001	07A		00011031401	007	22A					
00H00801261	019	17A		00000023100	005	11A		00011031401	012	13A					
00H00802071	019	16A		00000031040	015	29A		00011031600	007	19A					
00H00802081	019	14A		00000031050	005	17A		00011031801	007	23A					
00H01301291	008	09A		00000031050	007	15A		00011031801	012	14A					
00H01301831	008	19A		00000031050	010	15A		00011032501	011	16A					
00H01500691	004	23A		00000031050	017	17A		00011051601	010	27A					
00H01500691	005	18A		00000031050	019	23A		00011051601	011	18A					
00H01500691	007	16A		00000031060	001	19A		00011051801	011	17A					
00H01500691	011	20A		00000031060	004	09A		00011051801	017	08A					
00H01500691	019	24A		00000031060	006	30A		00011052201	010	25A					
00H02100191	006	06A		00000031060	007	31A		00011055001	010	26A					
00H02100861	006	05A		00000031060	010	23A		00011062000	015	37A					
00H02101811	006	04A		00000031060	011	22A		00012044000	007	28A					
00H02401282	008	08A		00000031060	013	23A		00012054000	017	16A					
00H03201481	016	15A		00000031060	018	17A		00012151500	005	16A					
00H03203421	016	12A		00000031080	002	13A		00012151500	010	18A					
00H03800451	015	39A		00000031080	006	32A		00012151500	011	19A					
00H03800722	004	24A		00000031100	001	06A		00012151500	013	31A					
00H04900231	011	15A		00000031100	002	11A		00012151500	019	22A					
00H06000151	016	34A		00000031100	005	10A		00012161600	004	07A					
00H06300281	014	47A		00000033040	015	30A		00012161600	010	12A					
0000A517011	007	05A		00000033060	009	18A		00012161600	011	10A					
00000002850	002	12A		00000033060	013	37A		00014030600	006	35A					
00000004515	004	18A		00000033060	014	16A		00014041200	006	07A					
00000004515	007	14A		00000033100	005	13A		00021010002	014	12A					
00000004515	010	16A		00000033100	013	30A		00021010002	014	49A					
00000004610	002	09A		00000047114	014	43A		00021012001	008	11A					
00000004612	001	13A		00000047119	013	18A		00023108000	015	19A					
00000004612	007	27A		00000051205	005	05A		00026005000	009	11A					
00000004612	018	16A		00002051551	004	25A		00026006001	013	36A					
00000004615	001	10A		00002052051	004	19A		00026006002	013	03A					
00000004615	001	24A		00002112500	002	15A		00026010000	014	50A					
00000004620	006	03A		00002113500	002	10A		00026010000	018	24A					
00000004620	013	24A		00003108060	005	07A		00034000802	019	18A					
00000004625	018	26A		00003111110	009	14A		00038004000	007	26A					
00000004830	001	17A		00003111120	009	15A		00040008000	007	24A					
00000004840	006	15A		00003112320	008	10A		00057000500	001	23A					
00000004845	006	16A		00004006500	013	29A		00057020100	014	31A					
00000012420	013	39A		00004061600	006	29A		00057020400	014	33A					
00000012420	015	28A		00004061600	009	19A		00057120300	014	23A					
00000012515	015	32A		00004114500	001	08A		00058020401	014	26A					
00000013616	014	28A		00004161200	014	14A		00058120100	008	05A					